



Virtualized Multiservice Data Center (VMDC) 3.0 Design Guide

December 19, 2012



Cisco
Validated
Design



CCDE, CCENT, CCSI, Cisco Eos, Cisco Explorer, Cisco HealthPresence, Cisco IronPort, the Cisco logo, Cisco Nurse Connect, Cisco Pulse, Cisco SensorBase, Cisco StackPower, Cisco StadiumVision, Cisco TelePresence, Cisco TrustSec, Cisco Unified Computing System, Cisco WebEx, DCE, Flip Channels, Flip for Good, Flip Mino, Flipshare (Design), Flip Ultra, Flip Video, Flip Video (Design), Instant Broadband, and Welcome to the Human Network are trademarks; Changing the Way We Work, Live, Play, and Learn, Cisco Capital, Cisco Capital (Design), Cisco:Financed (Stylized), Cisco Store, Flip Gift Card, and One Million Acts of Green are service marks; and Access Registrar, Aironet, AITouch, AsyncOS, Bringing the Meeting To You, Catalyst, CCDA, CCDP, CCIE, CCIP, CCNA, CCNP, CCSP, CCVP, Cisco, the Cisco Certified Internetwork Expert logo, Cisco IOS, Cisco Lumin, Cisco Nexus, Cisco Press, Cisco Systems, Cisco Systems Capital, the Cisco Systems logo, Cisco Unity, Collaboration Without Limitation, Continuum, EtherFast, EtherSwitch, Event Center, Explorer, Follow Me Browsing, GainMaker, iLYNX, IOS, iPhone, IronPort, the IronPort logo, Laser Link, LightStream, Linksys, MeetingPlace, MeetingPlace Chime Sound, MGX, Networkers, Networking Academy, PCNow, PIX, PowerKEY, PowerPanels, PowerTV, PowerTV (Design), PowerVu, Prisma, ProConnect, ROSA, SenderBase, SMARTnet, Spectrum Expert, StackWise, WebEx, and the WebEx logo are registered trademarks of Cisco and/or its affiliates in the United States and certain other countries.

All other trademarks mentioned in this document or website are the property of their respective owners. The use of the word partner does not imply a partnership relationship between Cisco and any other company. (1002R)

THE SOFTWARE LICENSE AND LIMITED WARRANTY FOR THE ACCOMPANYING PRODUCT ARE SET FORTH IN THE INFORMATION PACKET THAT SHIPPED WITH THE PRODUCT AND ARE INCORPORATED HEREIN BY THIS REFERENCE. IF YOU ARE UNABLE TO LOCATE THE SOFTWARE LICENSE OR LIMITED WARRANTY, CONTACT YOUR CISCO REPRESENTATIVE FOR A COPY.

The Cisco implementation of TCP header compression is an adaptation of a program developed by the University of California, Berkeley (UCB) as part of UCB's public domain version of the UNIX operating system. All rights reserved. Copyright © 1981, Regents of the University of California.

NOTWITHSTANDING ANY OTHER WARRANTY HEREIN, ALL DOCUMENT FILES AND SOFTWARE OF THESE SUPPLIERS ARE PROVIDED "AS IS" WITH ALL FAULTS. CISCO AND THE ABOVE-NAMED SUPPLIERS DISCLAIM ALL WARRANTIES, EXPRESSED OR IMPLIED, INCLUDING, WITHOUT LIMITATION, THOSE OF MERCHANTABILITY, FITNESS FOR A PARTICULAR PURPOSE AND NONINFRINGEMENT OR ARISING FROM A COURSE OF DEALING, USAGE, OR TRADE PRACTICE.

IN NO EVENT SHALL CISCO OR ITS SUPPLIERS BE LIABLE FOR ANY INDIRECT, SPECIAL, CONSEQUENTIAL, OR INCIDENTAL DAMAGES, INCLUDING, WITHOUT LIMITATION, LOST PROFITS OR LOSS OR DAMAGE TO DATA ARISING OUT OF THE USE OR INABILITY TO USE THIS MANUAL, EVEN IF CISCO OR ITS SUPPLIERS HAVE BEEN ADVISED OF THE POSSIBILITY OF SUCH DAMAGES.

Virtualized Multiservice Data Center (VMDC) 3.0 Design Guide
© 2012 Cisco Systems, Inc. All rights reserved.



CONTENTS

CHAPTER 1**VMDC 3.0 Introduction 1-1**

- Audience 1-1
- Introduction 1-1
 - Problem Statement 1-2
 - Solution Proposal 1-2

CHAPTER 2**VMDC 3.0 Design Overview 2-1**

- Design Principles 2-1
- Terminology 2-3
- FabricPath Topologies 2-3
 - Typical Data Center 2-3
 - Switched Fabric Data Center 2-5
 - Extended Switched Fabric Data Center (3 Tier) 2-6
- VMDC Virtualized Containers 2-7
- Solution Components 2-8
- Change Summary 2-11
- Related Documents 2-12

CHAPTER 3**VMDC 3.0 Design Details 3-1**

- VMDC Building Blocks 3-2
 - PoD 3-3
 - Integrated Compute Stacks 3-4
 - Data Center Interconnect 3-4
 - Unified Data Center Networking 3-5
- Compute 3-5
- Storage 3-6
- Container Models 3-7
- Network 3-9
 - Layer 3 Design 3-9
 - Fabric Path 3-11
- Services 3-13
- Virtualization Techniques 3-16
- System Level Design Considerations 3-17

- Scalability 3-17
- Availability 3-18
- Security 3-19
- Manageability 3-19
- Service Assurance and Monitoring 3-19
 - Traffic Engineering 3-20
 - Quality of Service Framework 3-24
 - Network Analysis 3-28
 - NetFlow 3-28
 - Encapsulated Remote Switched Port Analyzer (ERSPAN) 3-30
 - CLSA-VMDC (Cloud Service Assurance for VMDC) 3-32



CHAPTER 1

VMDC 3.0 Introduction

The Cisco Virtualized Multiservice Data Center Solution provides design and implementation guidance for enterprises deploying private cloud services and service providers building public and virtual private services. With the goal of providing an end-to-end system architecture, the Cisco VMDC solution integrates various Cisco and third-party products that are part of the cloud computing ecosystem.

Audience

This document is intended for, but not limited to, system architects, network design engineers, system engineers, field consultants, advanced services specialists, and customers who want to understand how to deploy a public or private cloud data center infrastructure. This design guide assumes that the reader is familiar with the basic concepts of IP protocols, QoS, and HA. This guide also assumes that the reader is aware of general system requirements and has knowledge of enterprise or service provider network and data center architectures.

Introduction

Virtualized Multiservice Data Center (VMDC), Cisco's reference architecture for cloud deployment, has been widely adopted by service providers and many enterprises worldwide. In previous releases, VMDC provided design guidance for scalable, secure, resilient, public and private cloud infrastructures serving multiple consumers or tenants. Within the Data Center portion of the architecture, these designs were centered on traditional hierarchical infrastructure models incorporating leading Cisco platforms and Layer 2 resilience technologies such as Virtual Port Channel (vPC), providing network containers or "tenancy" models of different sizes and service profiles, with necessary network based services as well as orchestration and automation capabilities to accommodate the varying needs of cloud providers and consumers.

In system release 3.0 VMDC introduces Cisco FabricPath, as an optional Layer 2 alternative to a hierarchical vPC-based design, for the intra-DC network. FabricPath simplifies and expands Layer 2 network design by removing the complexities of Spanning Tree Protocol (STP) and thus enabling more extensive, flexible, and scalable Layer 2 designs. This release is the first VMDC release of FabricPath-based designs. Other releases will follow as Cisco develops and evolves FabricPath. While FabricPath comprises an improved Layer 2 multipathing technology, vPC based resiliency remains a valid option in the VMDC portfolio. As such, customers will be able to choose between vPC-based and FabricPath-based designs in order to meet their requirements.

Problem Statement

The architecture described in this document addresses the following customer challenges:

- Need for design guidance on implementing FabricPath-based Data Centers.
- Need to address application of network services over FabricPath-based topologies.
- Need for multi-tenancy design guidance over a FabricPath-based topology in private enterprise “cloud” environments.

The following use cases are specifically addressed in this release:

- DC and PoD design
- Inter-PoD communication (multi-PoD or DC wide)
- Inter-PoD clustering
- Inter-PoD VM mobility
- Inter-PoD/Inter-building (intra-campus) Service Resilience
- Split N-tiered applications
- Multi-tenancy

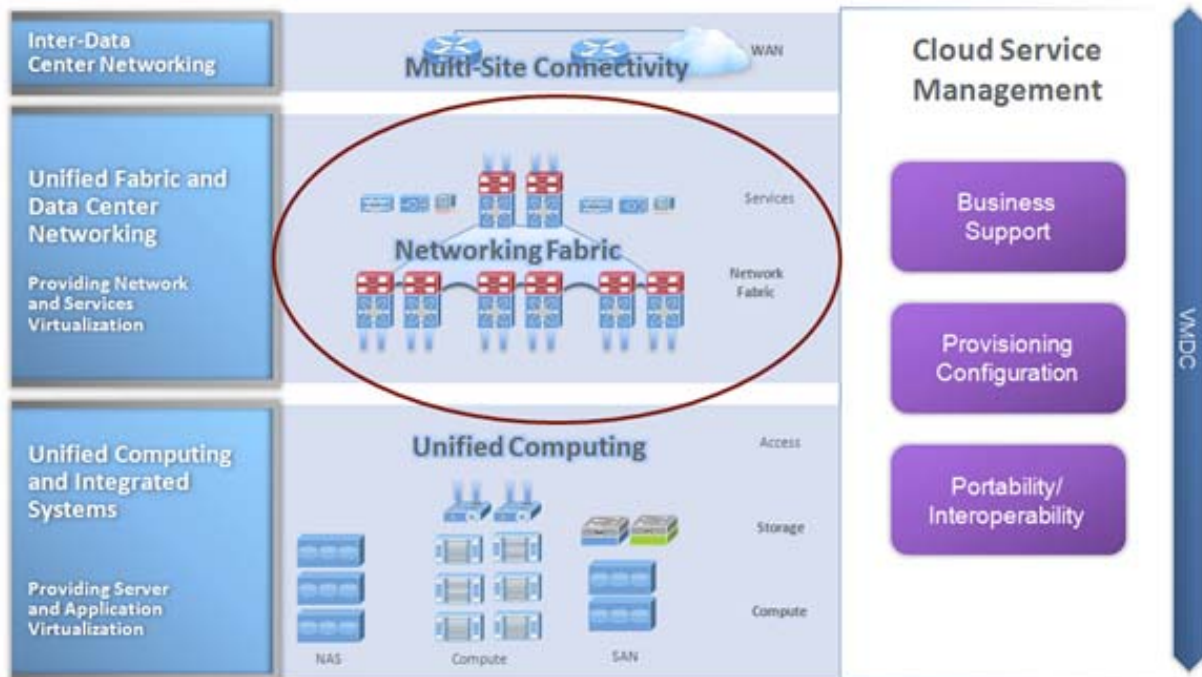
Solution Proposal

In addressing the identified requirements we modified the Unified Data Center Networking component of the VMDC architecture, replacing it with a FabricPath-based design. [Figure 1-1](#) shows a high level diagram of the overall VMDC solution.

In general, the solution consists of three modular layers:

1. Unified Computing and Integrated Systems (UCIS) providing server and application virtualization, currently consisting of FlexPods or Vblocks.
2. Unified Fabric and Data Center Networking (UCDC) providing network and network based services virtualization.
3. Data Center Interconnect (DCI) providing seamless multi-site connectivity. The solution is complemented by Cloud Service Management components that enable end to end provisioning and orchestration, as well as monitoring and assurance.

Figure 1-1 High Level VMDC Solution



In this design we replace only the UCDC layer of the architecture, allowing us to leverage existing design guidance for UCIS and DCI layers. As such the following assumptions can be maintained:

- Previous design guidance for UCIS (Flexpod, Vblock) components remains the same. VMDC 3.0 validation is performed on the latest releases of Flexpod and Vblock. Applications validated on FlexPod or Vblock will continue to function on the overall VMDC architecture.
- Previous design guidance for DCI components remains the same. Use of FabricPath for long distance multi-site DCI is not covered in VMDC 3.0, however this release does address shorter distance, inter-building resilience in a campus environment.
- There are no complementary management and orchestration components in VMDC 3.0. The reason for this gap is that release 3.0 is an introductory FabricPath-based design which will be followed by subsequent enhancement releases. We intend to address this gap in a future release.
- Cisco (“XaaS”) applications such as Unified Communication, Hosted Collaboration Systems, Media Data Center, Video Surveillance, and Telepresence, use VMDC architecture as the infrastructure basis for their validation efforts. The latest release used for these validations is VMDC release 2.2. No specific Cisco application validations are in scope for VMDC 3.0. However, given the level of validation performed thus far, we are confident that these will work on a VMDC 3.0 infrastructure without major issues.



CHAPTER 2

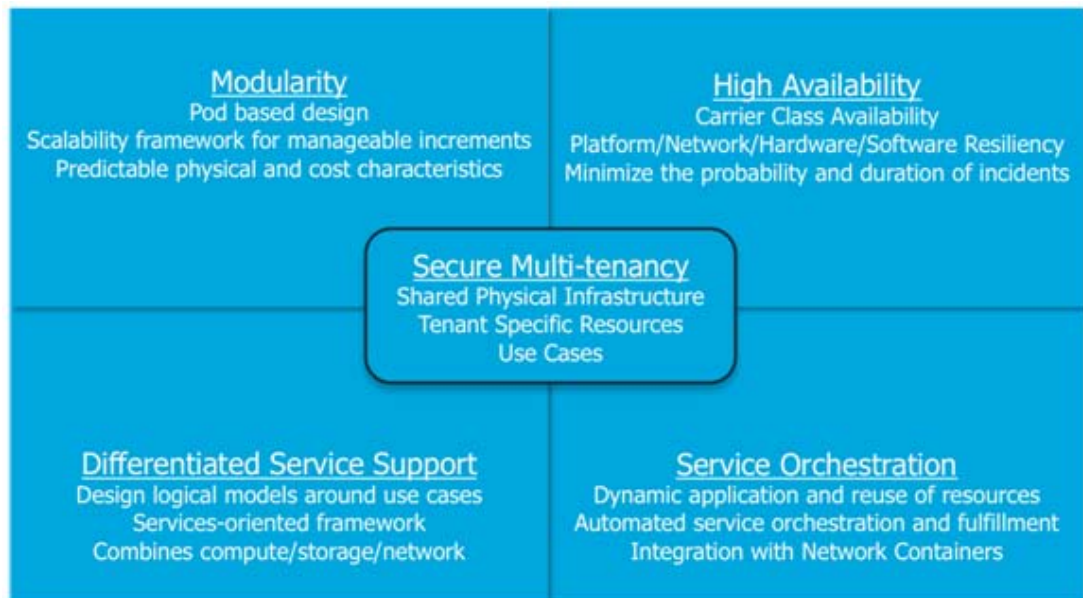
VMDC 3.0 Design Overview

The Virtualized Multiservice Data Center architecture is based on foundation principles of design in modularity, high availability, differentiated service support, secure multi-tenancy, and automated service orchestration (Figure 2-1).

Design Principles

Design principles provide the benefits of streamlined turn-up of new services, maximized service availability, resource optimization, facilitated business compliance and support for self-service IT models, thus maximizing operational efficiency and allowing the private or public cloud provider to focus on their core business objectives.

Figure 2-1 VMDC Design Principles



VMDC 3.0 introduces FabricPath into data center designs because FabricPath allows for the creation of simple, scalable, and efficient Layer 2 domains that apply to many network scenarios. FabricPath brings the stability and scalability of routing to Layer 2. The switched domain does not have to be segmented

anymore, providing data center–wide workload mobility. Because traffic is no longer forwarded using Spanning Tree Protocol (STP), the bisectional bandwidth of the network is expanded, providing enhanced scalability.

For a brief primer on FabricPath technology, refer to:

http://www.cisco.com/en/US/prod/collateral/switches/ps9441/ps9402/white_paper_c11-687554.pdf

FabricPath benefits are summarized as follows:

Simplified Network, Reducing Operating Expenses

- FabricPath is simple to configure. The only necessary configuration consists of distinguishing the core ports, which link the switches, from the edge ports, where end devices are attached. No parameters need to be tuned to achieve operational status, and switch addresses are assigned automatically.
- A single control protocol is used for unicast forwarding, multicast forwarding, and VLAN pruning. Networks designed using FabricPath protocol require less combined configuration than equivalent networks based on Spanning Tree Protocol, further reducing the overall management needed for the solution.
- Static network designs make assumptions about traffic patterns and the locations of servers and services. If those assumptions are incorrect, which often becomes the case over time, complex redesign may be necessary. A fabric switching system based on Cisco FabricPath can be easily expanded as needed with additional access nodes in a plug and play manner, with minimal operational impact.
- Switches that do not support Cisco FabricPath can still be attached to the FabricPath fabric in a redundant way without resorting to Spanning Tree Protocol.
- The capabilities of Cisco FabricPath Layer 2 troubleshooting tools provide parity with those currently available in the IP community for non-fabric path environments. For example, the Ping and Traceroute features now offered at Layer 2 with FabricPath can measure latency and test a particular path among the multiple equal-cost paths to a destination within the fabric.

Reliability Based on Proven Technology

- Though Cisco FabricPath offers a plug-and-play user interface, its control protocol is built on top of the powerful Intermediate System–to–Intermediate System (IS-IS) routing protocol, an industry standard that provides fast convergence and is proven to scale in the largest service provider environments.
- Loop prevention and mitigation is available in the data plane, helping ensure safe forwarding unmatched by any transparent bridging technology. Cisco FabricPath frames include a time-to-live (TTL) field similar to the one used in IP, and an applied reverse-path forwarding (RPF) check.

Efficiency and High Performance

- With FabricPath, equal-cost multipath (ECMP) protocol can be used in the data plane enabling the network to find optimal paths among all the available links between any two devices. The first-generation hardware supporting Cisco FabricPath can perform 16-way ECMP, which, when combined with 16-port 10-Gbps PortChannels, represents bandwidth of up to 2.56 terabits per second (Tbps) between switches.
- With FabricPath, frames are forwarded along the shortest path to their destination, reducing the latency of the exchanges between end stations compared to a Spanning Tree based solution.
- Cisco FabricPath needs to learn at the edge of the fabric only a subset of the MAC addresses present in the network, enabling massive scalability of the switched domain.

Terminology

FabricPath comprises two types of nodes: spine nodes and leaf nodes. A spine node is one that connects to other switches in the fabric and a leaf node is one that connects to servers. These terms are useful in greenfield scenarios but may be vague for migration situations, where one has built a hierarchical topology and is accustomed to using traditional terminology to describe functional roles. In this document, we expand our set of terms to correlate fabric path nodes and functional roles to hierarchical network terminology. These terms are:

- **Aggregation-Edge**—This is a FabricPath node that sits at the “edge” of the fabric, corresponding to the aggregation node in a hierarchical topology.
- **Access-Edge**—This is a FabricPath node that sits at the edge of the fabric, corresponding to the access node in a hierarchical topology.

These nodes may perform Layer 2 and/or Layer 3 functions. Hence at times, we also refer to an Layer 3 spine or an Layer 3 edge node to clarify the location of Layer 2/Layer 3 boundaries and distinguish between nodes that are performing Layer 3 functions versus Layer 2-only functions.

FabricPath Topologies

FabricPath can be implemented in a variety of network designs, from full-mesh to ring topologies. The following sections discuss three DC design options based on FabricPath that were considered in VMDC 3.0 design and validation. These design options are:

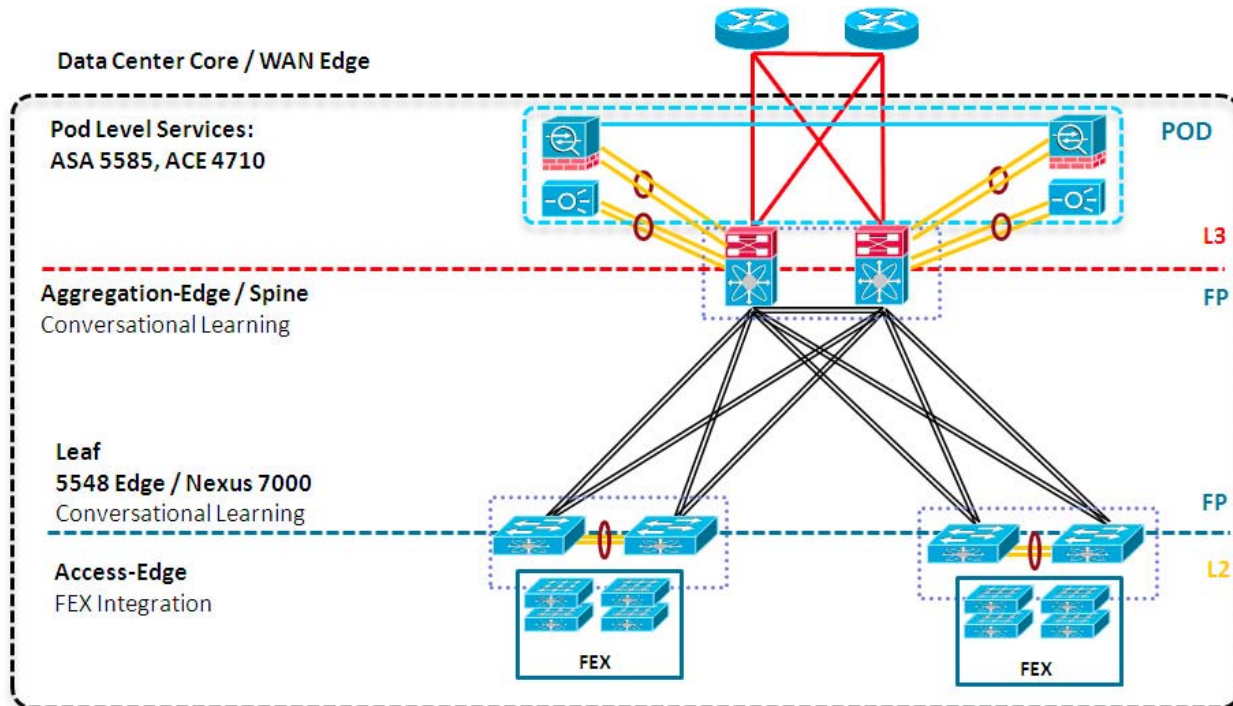
- **Typical Data Center Design**—This model represents a starting point for FabricPath migration, where FabricPath simply replaces older layer 2 resilience and loop avoidance technologies, such as vPC and Spanning Tree. This design assumes the existing hierarchical topology, featuring pairs of core, aggregation and/or access switching nodes, remains in place and that FabricPath provides Layer 2 multipathing.
- **Switched Fabric Data Center Design**—This model represents further horizontal expansion of the infrastructure to leverage improved resilience and bandwidth characterized by a CLOS-based architectural model.
- **Extended Switched Fabric Data Center Design**—This model assumes further expansion of the data center infrastructure fabric for inter-pod or inter-building communication.

Typical Data Center

A Typical Data Center design is a 2-tier FabricPath design as depicted in [Figure 2-2](#). All VMDC architectures are built around modular building blocks called PoDs. Each PoD uses a localized Services attachment model. Within a pod, Layer 2 switching is handled by Virtual Port Channels (vPC), which

provide an active-active environment that does not depend on Spanning Tree Protocol (STP) but converges quickly in the event of failure. Figure 2-2 shows a VMDC PoD with FabricPath as a vPC replacement.

Figure 2-2 Typical Data Center Design



From a resilience perspective, a vPC-based design is sufficient at this scale, although there are other benefits of using FabricPath, including:

- FabricPath is simple to configure and manage. There is no need to identify a pair of peers or configure Port Channels. Nevertheless, Port Channels can still be leveraged in FabricPath topologies if needed.
- FabricPath is flexible, it does not require a particular topology, and will function even if the network is currently cabled for the classic triangle vPC topology. FabricPath can accommodate any future design.
- FabricPath does not use or extend STP. Even a partial introduction of FabricPath benefits the network because it segments the span of STP.
- FabricPath can be extended easily without degrading operations. Adding a switch or a link in a FabricPath-based fabric does not result in lost frames. Therefore, it is possible to start with a small network and extend it gradually, as needed.
- FabricPath increases the pool of servers that are candidates for VM mobility and thereby enables more efficient server utilization.



Note

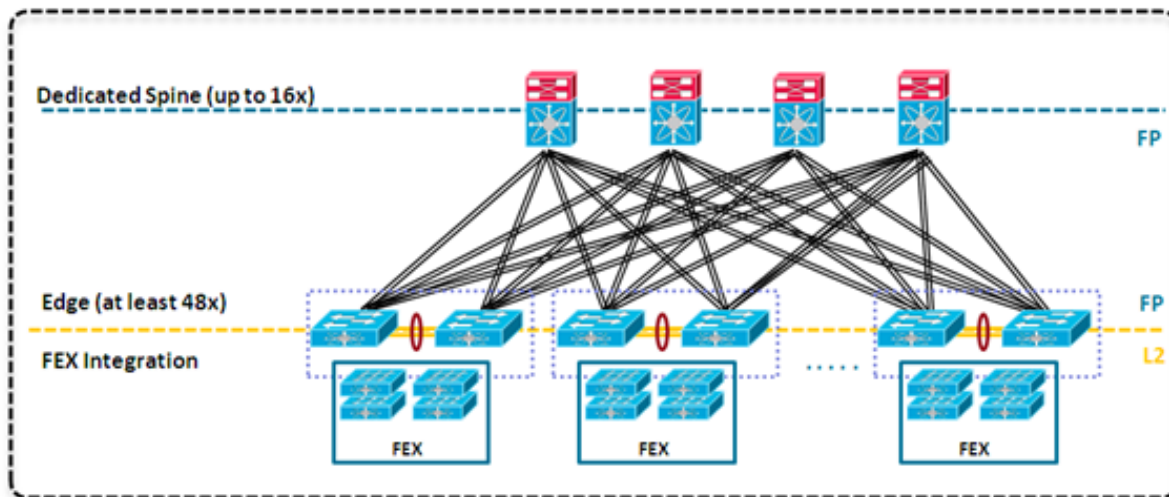
Certain application environments, especially those that generate high levels of broadcast, may not tolerate extremely large Layer 2 environments.

Switched Fabric Data Center

Once FabricPath is introduced into a basic topology, additional options can be used to expand the data center. The first option is to extend the spine, adding more spine nodes for additional Layer 2 or Layer 3 forwarding to form a Switched Fabric Data Center (Figure 2-3), which can be viewed as a single expanded FabricPath-based PoD.

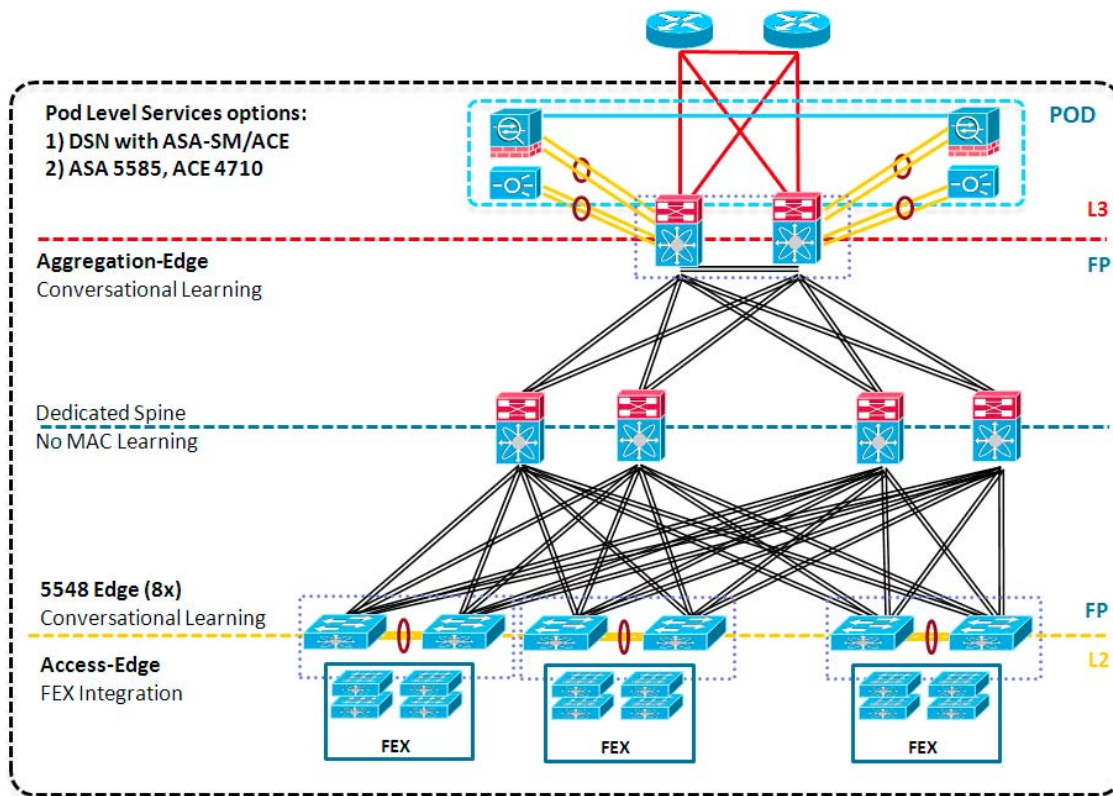
A switched fabric datacenter can take advantage of FabricPath capabilities, including 16-way ECMP, to create a non-blocking fabric. In this design, servers can communicate with each other with little oversubscription.

Figure 2-3 Switched Fabric Data Center or Clos Fabric



The topology shown in Figure 2-4 shows a Switched Fabric Data Center using an edge switch pair as the Layer 3 boundary with Localized Services attached. It is drawn unfolded for comparison to the Typical Data Center Design in the previous section. A key feature of this design is the dedicated spine that allows the Layer 2 domain to be extended easily and optimizes the paths for East-West type traffic, giving predictable network characteristics.

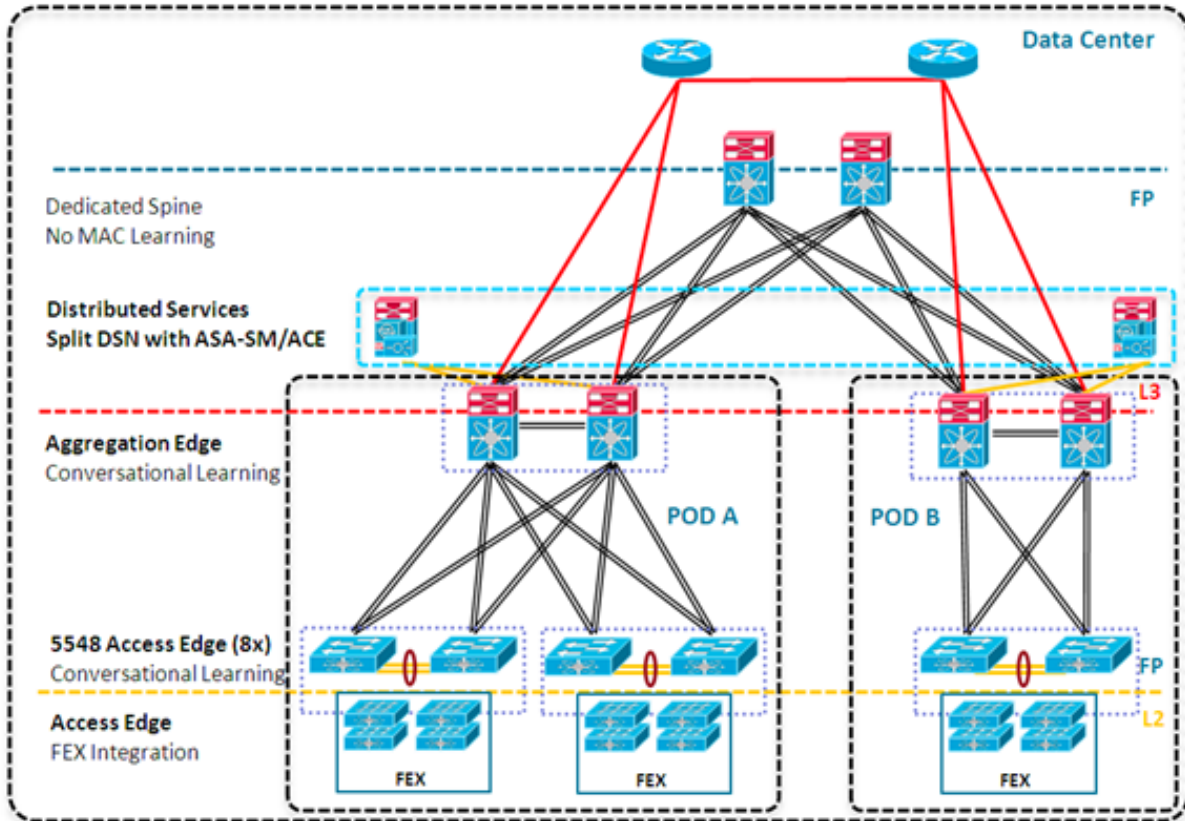
Figure 2-4 Switched Fabric Data Center with Localized Services



Extended Switched Fabric Data Center (3 Tier)

The Extended Switched Fabric Data Center (Figure 2-5) blends concepts from the Typical Data Center and Switched Fabric Data Center designs into a single functional model. As previously described, a PoD can be designed around the Typical Data Center or Switched Fabric Data Center model. In this case, a dedicated spine is used to further extend a Layer 2 domain across multiple PoDs which can reside in a single building on a single floor or between floors, or in a data center deployed in a campus type environment where different PoDs reside within different physical buildings. As FabricPath extends the Data Center network horizontally, services may remain localized within a PoD, be centralized between PoDs or distributed. Figure 2-5 shows distributed service node attachment.

Figure 2-5 Extended Switched Fabric Data Center with Distributed Services



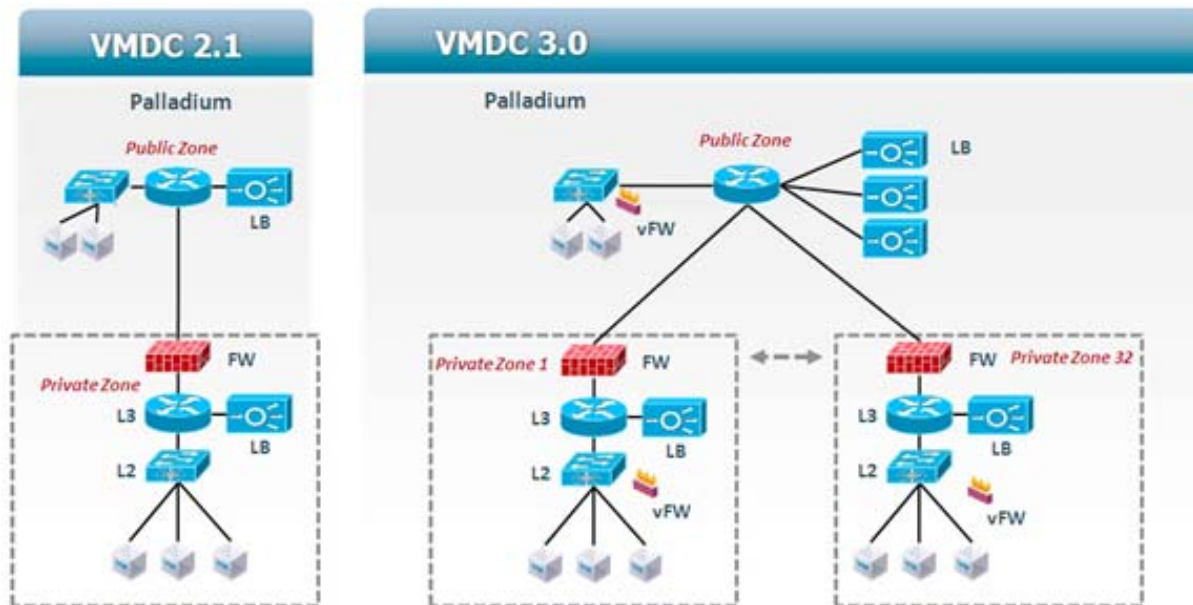
VMDC Virtualized Containers

The VMDC architecture is capable of supporting multiple different virtual containers, referred to as consumer models. These consumer models are described in greater detail later in this document, and in earlier release material:

http://www.cisco.com/en/US/docs/solutions/Enterprise/Data_Center/VMDC/2.2/collateral/vmdcConsumerModels.pdf

In release VMDC 3.0, it is possible to define and deploy all previously defined VMDC consumer models. FabricPath does not impose limitations on this aspect of design. However, for validation purposes, VMDC 3.0 focuses on the Palladium model, which was introduced in VMDC 2.1 and is further refined in VMDC 3.0 to fit the needs of private cloud deployments. Figure 2-6 shows a single tenant modified Palladium-type container. A key difference from VMDC 2.1 is in the details of the public zone implementation: in VMDC 3.0 a single public default VRF is shared across all tenants, as opposed to employing dedicated VRFs per tenant. The default VRF is part of the global routing table.

Figure 2-6 VMDC Palladium Container



In summary, the VMDC 3.0 Palladium containers that were validated have the following characteristics:

- A single, shared public zone with multiple server VLANs and a single ACE context (or multiple contexts) for Server Load Balancing. This public zone is in the global routing table.
- Multiple, firewall private zones reachable via the public zone – in other words, each firewall’s outside interface is in the public zone. These private zones include an ACE SLB and may have one or more VLANs.
- A VSG virtual firewall can be applied in a multi-tenant/shared fashion to the public zone.
- A VSG can be applied in a dedicated fashion to each of the private zones, providing a second tier of policy enforcement, and back-end (E/W) zoning.

Solution Components

The following sections provide the network components utilized in the solution (Figure 2-7), and a snapshot of the two final network topology models validated in this system release, Typical End-to-End (Figure 2-8), and Extended End-to-End (Figure 2-9). These models will be the focus for the rest of this document. However, it should be noted that earlier analysis focusing on FabricPath resiliency explored additional options such as N5k-based leaf and spine nodes, and the alternative of routing at the access-edge node rather than the aggregation-edge. This analysis yielded good convergence results across the fabric; generally sub-3 second for most aggregation-edge failures and sub-second for access-edge failures but did not include service node attachment. The models included in this document were selected for expanded end-to-end validation as generally more representative of current deployment trends and relevance.

Figure 2-7 VMDC 3.0 Solution Component Matrix

Function	Components
Network	Cisco C6500 (ASR9k, C7600, ASR1k not in SUT, but valid architectural options)
	Cisco Nexus 7009, 7010 (N7018 not in SUT but valid architectural option) -(M1 series 10Gb Ethernet cards; F1 series 1 and 10GB Ethernet cards)
	Data Center Services Node 6509-E
Services	Application Control Engine (ACE-30) Server Load Balancer ("Extended Switched DC") ACE-4710 Server Load Balancer ("Typical DC") NAMv2
Security Services	Cisco ASA Appliance (5585)
	Cisco Virtual Security Gateway
	Cisco Nexus 1000v
	Cisco MDS soft zoning and VSANs
Compute	Cisco Unified Computing System (UCS) Cisco UCS 6248E/ Fabric Interconnect UCS5108 Blade Server Chassis UCSB200-M2 Blade Server UCS M81KR Virtual Interface card
Virtualization	VMware vSphere VMware ESXi 5.0 Hypervisor Cisco Nexus 1000v (virtual access switch)
Storage Fabric	Cisco MDS 9513 (1/2/4/8-Gbps 24-Port FC Module; 18/4-Port Multiservice Module; Sup-2A; 24-port 8Gbps FC Module; 18-port 4Gbps FC Module)
Storage Array	EMC 2 Symmetrix V-Max with virtual provisioning NetApp FAS 6080
Orchestration/ Management*	Domain Management: – UCS Manager – Nexus 1000v Virtual Supervisor Module – Cisco Virtual Network Management Center – VMware vCenter 4.1U1 – Fabric Manager Service Assurance: – CLSA VMDC 3.0 Orchestration: *BMC CLM not in scope

Figure 2-8 Typical End-to-End Topology

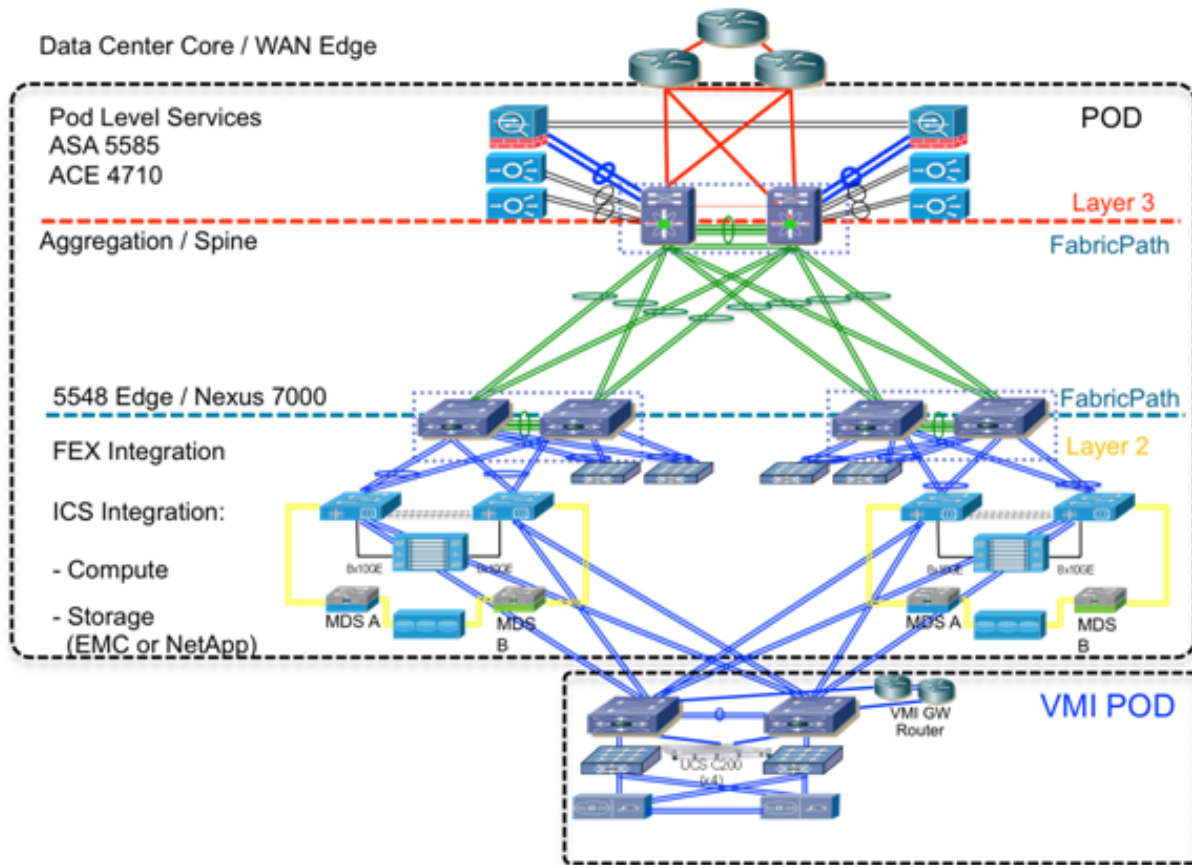
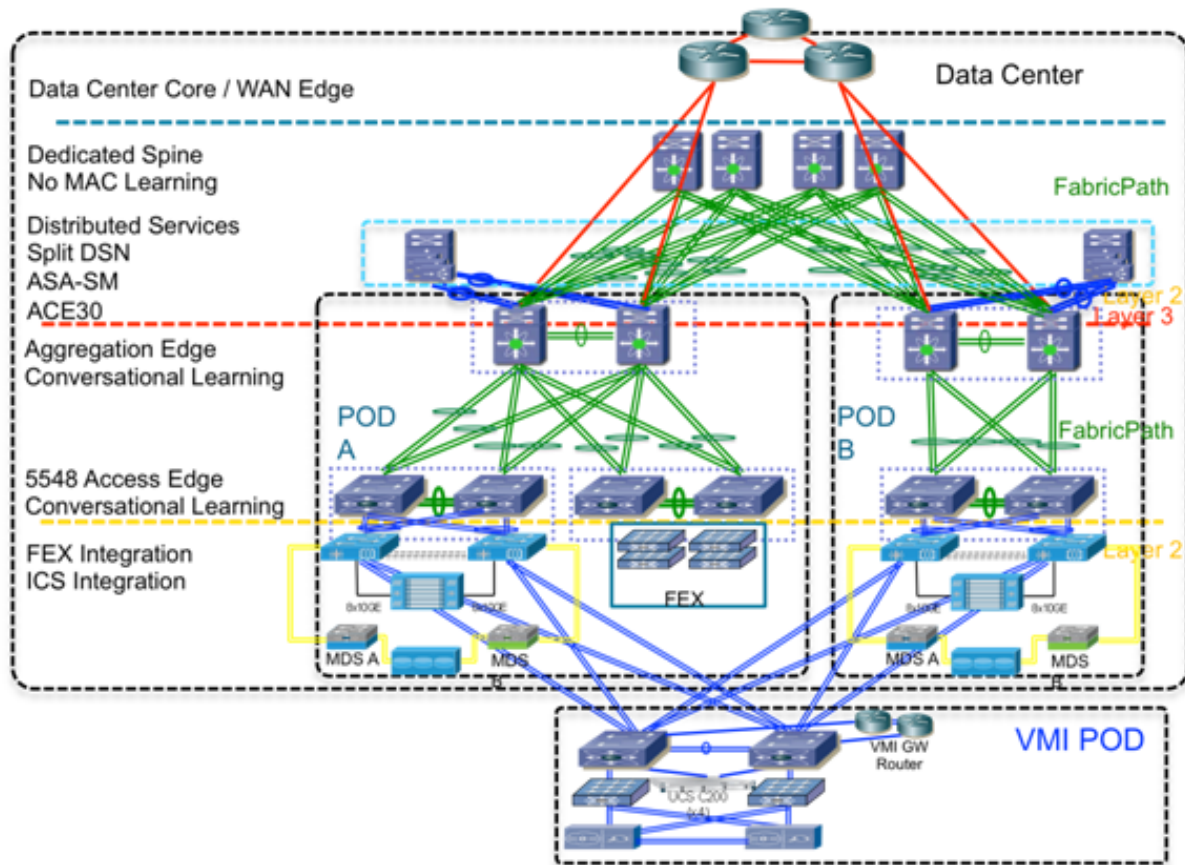


Figure 2-9 Extended End-to-End Topology



Change Summary

The following release change summary is provided for clarity.

- **Release 1.0, 1.1**—Introduces architecture foundation for deploying virtualized and multi-tenanted data centers for cloud-based services. It supports high availability, elasticity, and resiliency of virtualized compute, network, and storage services.
- **Release 2.0**—Expands release 1.1 by adding infrastructure orchestration capability using BMC software's Cloud Lifecycle Management, enhances network segmentation and host security, uses integrated compute stacks (ICS) as building blocks for the PoD, and validates compact and large PoD scale points.
- **Release 2.1**—Generalizes and simplifies release 2.0 architecture for a multi-tenant virtualized data center used for private cloud. Improvements include multicast support, simplified network design, jumbo frame support, improved convergence, performance, scalability for private cloud, QoS best practices, and increased design flexibility with multi-tenant design options.
- **Release 2.2**—Builds on top of releases 2.0 and 2.1 for a common release supporting public, private, and hybrid cloud deployments. Enhancements include “defense in depth” security, multi-media QoS support, and Layer 2 (VPLS) based DCI.

Related Documents

The following documents are available for reference and consideration.

- Cisco Virtualized Multi-tenant Data Center Design and Implementation Guides, Releases 1.0-2.2
http://www.cisco.com/en/US/solutions/ns340/ns414/ns742/ns743/ns1050/landing_vmdc.html#~relases
- Design Considerations for Classical Ethernet Integration of the Cisco Nexus 7000 M1 and F1 Modules
http://www.cisco.com/en/US/docs/solutions/Enterprise/Data_Center/VMDC/2.6/vmdcm1f1wp.html
- Virtualized Multi-tenant Data Center New Technologies - VSG, Cisco Nexus 7000 F1 Line Cards, and Appliance-Based Services VPLS and EoMPLS Based DCI Solution with nV Edge and vPC
http://www.cisco.com/en/US/docs/solutions/Enterprise/Data_Center/VMDC/2.6/vmdctechwp.html
- Cisco VMDC 2.2 Design Guide
http://www.cisco.com/en/US/docs/solutions/Enterprise/Data_Center/VMDC/2.2/design_guide/vmdcDesign22.html
- Data Center Interconnect over MPLS, Ethernet or IP Transport documents
http://www.cisco.com/en/US/netsol/ns749/networking_solutions_sub_program_home.html
<http://www.cisco.com/en/US/netsol/ns975/index.html>
- Cloud Service Assurance for VMDC
http://www.cisco.com/en/US/solutions/ns340/ns414/ns742/dz_cloudservice.html

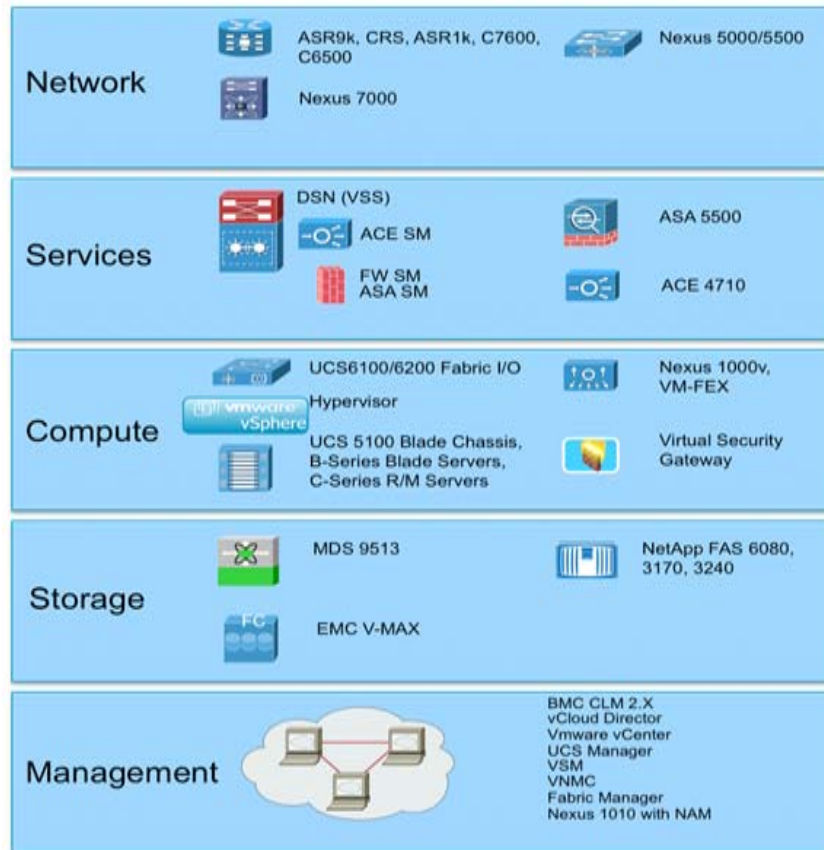


CHAPTER 3

VMDC 3.0 Design Details

VMDC Data Center functional layers are shown in [Figure 3-1](#).

Figure 3-1 Functional Layers Within the VMDC Data Center



VMDC Building Blocks

The following functional layers that constitute VMDC component building blocks are introduced:

Network Layer

The Network layer includes the WAN/PE router, which forms the data center perimeter to the enterprise wide area or provider IP/NGN backbone and to the public Internet. These perimeter nodes may be dedicated to Layer 3 routing functions or may be multi-service in nature, providing Layer 2 interconnects between data centers as well as Layer 3 services. WAN/PE routers validated within the VMDC reference system architecture include: the Cisco CRS-1, Cisco ASR 9000, Cisco Catalyst 7600, Catalyst 6500, and ASR 1000. In this release, the Network layer includes either the aforementioned two-layer Clos spine and leaf arrangement of switching nodes or the traditional, three-layer traditional hierarchical model described in previous releases. In the VMDC 3.0 reference architecture, the Network layer is comprised of Nexus 7000 systems, serving as the spine and aggregation-edge nodes, and the Nexus 5000 systems as the leaf and access-edge nodes. As shown in [Figure 2-3](#), [Figure 2-4](#), and [Figure 2-5](#), validated VMDC 3.0 topologies feature three variants of the FabricPath models, allowing for fine-tuning of redundancy, port capacity, and bandwidth to the level of service aggregation or access density required by current and anticipated scale requirements.

Services Layer

The Services layer comprises network and security services, such as firewalling, server load balancing, SSL offload, intrusion prevention, network analysis, and gateway functions. A distinct difference arises between the conventional data center services layer and "cloud" data center services layer in that the solution set for the latter must support application of Layer 4 - Layer 7 services at a per-tenant level, through logical abstraction of the physical resources. Centralized services are most useful in applying policies that are broadly applicable across a range of tenants (or workgroups in the private case). Within the VMDC reference architecture, the Data Center Services Node (DSN) provides firewalling and server load balancing services, in a service module form factor (ACE30 and ASA-SM modules). Alternatively, these services are available in appliance form-factors (ACE 4710, ASA 5500). This layer also serves as the termination point for remote access IPSec or SSL VPNs. In the VMDC architecture, the Cisco ASA 5580 appliance connected to the DSN fulfills this function, securing remote tenant access to cloud resources.

Compute Layer

The Compute layer includes three subsystems: virtual access, virtual service, and compute. The first subsystem is a virtual access switching layer, which extends the Layer 2 network across multiple physical compute systems. This virtual access switching layer is key as it also logically extends the Layer 2 network to individual virtual machines within physical servers. The feature rich Cisco Nexus 1000V generally fulfills this role within the architecture. Depending on the level of software functionality (such as, QoS or security policy) or scale required, the VM-FEX may serve as a hardware-based alternative to the Nexus 1000V. A second subsystem is virtual services (vApp-based), which may include security, load balancing, and optimization services. Services implemented at this layer of the infrastructure will complement more centralized service application and uniquely apply to a specific tenant or workgroup and their applications. Specific vApp based services validated within the VMDC architecture as of this writing include the Cisco Virtual Security Gateway (VSG), providing a security policy enforcement point within the tenant virtual data center or Virtual Private Data Center (VPDC). The third subsystem within the Compute layer is the computing resource. This subsystem includes physical servers, hypervisor software providing compute virtualization abilities, and the virtual machines. The Cisco Unified Computing System (UCS), featuring redundant 6100 or 6200 Fabric Interconnects, UCS 5108 Blade Chassis, and B-Series Blade or C-Series RackMount servers, comprises the compute resources utilized within the VMDC reference architecture.

Storage Layer

The Storage layer provides storage resources. Data stores reside in SAN (block-based) or NAS (file-based) storage systems. SAN switching nodes implement an additional level of resiliency, interconnecting multiple SAN storage arrays to the compute resources via redundant FC [or perhaps FibreChannel over Ethernet (FCoE)] links.

Management Layer

The Management layer consists of the "back-end" hardware and software resources required to manage the multi-tenant infrastructure. These resources include domain element management systems, as well as higher level service orchestration systems. The domain management systems currently validated within VMDC include Cisco UCS Manager, VMware vCenter, and vCloud Director for compute resource allocation; EMC's UIM and Cisco Fabric Manager for storage administration; and Cisco VSM and Virtual Network Management Center (VNMC) for virtual access and virtual services management. Network analysis functionality is provided by Network Analysis Modules (NAMs) residing within Nexus 1010 systems. Automated service provisioning, including cross-resource service orchestration, are provided by BMC's Cloud Lifecycle Management (CLM) system. However, service orchestration functions were not in scope for this VMDC system release.

PoD

Previous iterations of the VMDC reference architecture defined resource containers called "pods" that serve as the basis for modularity within the Cloud data center. As a homogenous modular unit of network, compute, and storage resources, the pod concept allows one to address environmental, physical, logical, and application-level requirements in a consistent way. The pod serves as a blueprint for incremental build-out of the Cloud data center in a structured fashion; when resource utilization within a pod reaches a pre-determined threshold (for example, 70-80%), the idea is that one simply deploys a new pod. From a service fulfillment and orchestration perspective, a pod represents a discrete resource management domain.

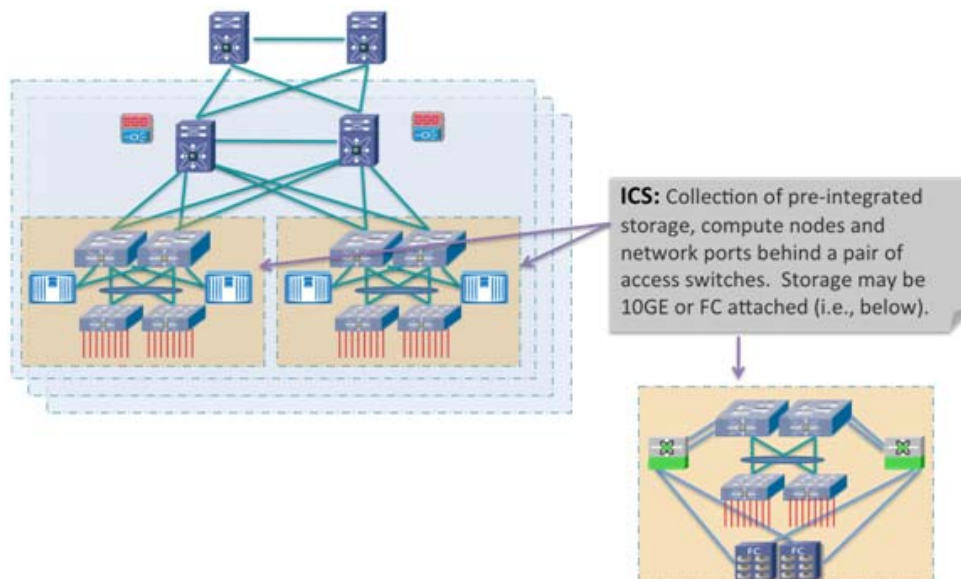
In general practice, the pod concept may serve simply as a framework, with designers defining their own variants tuned to specific environmental or performance characteristics. A pod can be defined at different levels of modularity, supporting growth in differing increments. For example, one might have an access pod, terminating at the access switching nodes within an infrastructure and one might have a compute pod, addressing only the compute or the compute and storage portions of the infrastructure. Special purpose pods may be defined around application requirements or operational functions. For example, within the VMDC reference architecture, a management pod, referred to as a Virtual Management Infrastructure (VMI) pod is defined to physically and logically separate back-end management resources from production resources.

Typically, within the VMDC reference architecture, a general purpose utility compute pod extends from the compute and storage layers to the Layer 2 ports on the aggregation nodes serving as the Layer 2/Layer 3 boundary and up to and including components within the network services layer. Thus in a traditional hierarchical topology model, the port and MAC address capacity of the aggregation nodes are key factors in determining scale, in that they limit the number of pods a single pair of aggregation nodes will support within the Cloud data center. A key benefit of a Clos-type architectural model is that it broadly expands overall port capacity and bandwidth within the layer 2 (pod) domain; however, MAC address support on the Layer 3 aggregation-edge or access-edge nodes will be a consideration in terms of host scale per pod (where a pod is a single FabricPath domain).

Integrated Compute Stacks

An Integrated Compute Stack (ICS) represents another potential unit of modularity in the VMDC Cloud data center, representing a sub-component within the pod. An ICS is a pre-integrated collection of storage, compute, and network resources, up to and including Layer 2 ports on a pair of access switching nodes. Figure 3-2 shows the location of the ICS within a pod. Multiples of ICSs are deployed like building blocks to fill the capacity of a pod.

Figure 3-2 ICS Concept



Working with eco-system partners, Cisco currently supports two ICS options: a Vblock and a FlexPod.

- A Vblock comprises Cisco UCS and EMC storage systems, offered in several combinations to meet price, performance, and scale requirements.
- Alternatively, a FlexPod comprises UCS compute and NetApp storage resources.

FlexPods are offered in a range of sizes designed to achieve specific workload requirements. The VMDC reference architecture further accommodates generic units of compute and storage, including storage from other third-party vendors. However, the business advantage of an ICS is that pre-integration takes the guesswork out of balancing compute processing power with storage input/output operations per second (IOPS) to meet application performance requirements.

Data Center Interconnect

Within the VMDC reference architecture, pods may be interconnected between Data Centers using various data center interconnection methods, such as Overlay Transport Virtualization (OTV), xPLS, or LISP. Though not in scope for this release, these technologies have been tested and the resulting analysis is available as part of the larger body of VMDC reference documents (Refer to <http://www.cisco.com/en/US/netsol/ns975/index.html> for details.).

Unified Data Center Networking

Past descriptions of a *unified fabric* focused rather narrowly on storage transport technologies, such as FCoE. In a cloud architecture model such as VMDC, the concept of a unified fabric is one of virtualized data center resources (compute, application, storage) connected through a high-bandwidth network that is very scalable, high performing, and enables the convergence of multiple protocols onto a single physical network. In this context, the network is the unified fabric. FCoE, VM-FEX, vPCs and FabricPath are Ethernet technologies that have evolved data center fabric design options. These technologies may be utilized concurrently over the VMDC Nexus-based infrastructure. It should be noted that as FCoE uses FSPF (Fabric Shortest Path First) forwarding, which is not supported over FabricPath today (it uses an IS-IS control plane), FCoE must be transported on separate (classical Ethernet) VLANs. In this VMDC release, we assume that FCoE links are leveraged outside of the FabricPath domain—such as within the ICS portions of the FabricPath-based pod—to reduce cabling and adapter expenses and to realize power and space savings.

Compute

The VMDC compute architecture assumes, as a premise, a high degree of server virtualization, driven by data center consolidation, the dynamic resource allocation requirements fundamental to a "cloud" model, and the need to maximize operational efficiencies while reducing capital expense (CAPEX). Therefore, the architecture is based upon three key elements:

1. Hypervisor-based virtualization: in this as in previous system releases, VMware's vSphere plays a key role, enabling the creation of virtual machines on physical servers by logically abstracting the server environment in terms of CPU, memory, and network touch points into multiple virtual software containers.
2. Unified Computing System (UCS): unifying network, server, and I/O resources into a single, converged system, the Cisco UCS provides a highly resilient, low-latency unified fabric for the integration of lossless 10-Gigabit Ethernet and FCoE functions with x-86 server architectures. The UCS provides a stateless compute environment that abstracts I/O resources and server personality, configuration and connectivity, facilitating dynamic programmability. Hardware state abstraction makes it easier to move applications and operating systems across server hardware.
3. The Cisco Nexus 1000V provides a feature-rich alternative to VMware's Distributed Virtual Switch, incorporating software-based VN-link technology to extend network visibility, QoS, and security policy to the virtual machine level of granularity. This system release uses VMware vSphere 5.0 as the compute virtualization operating system. A complete list of new enhancements available with vSphere 5.0 is available [online](#). Key "baseline" vSphere features leveraged by the system includes ESXi boot from SAN, VMware High Availability (VMware HA), and Distributed Resource Scheduler (DRS). Fundamental to the virtualized compute architecture is the notion of clusters; a cluster consists of two or more hosts with their associated resource pools, virtual machines, and data stores. Working in conjunction with vCenter as a compute domain manager, vSphere's more advanced functionality, such as HA and DRS, is built around the management of cluster resources. vSphere supports cluster sizes of up to 32 servers when HA and/or DRS features are utilized. In general practice, however, the larger the scale of the compute environment and the higher the virtualization (VM, network interface, and port) requirement, the more advisable it is to use smaller cluster sizes to optimize performance and virtual interface port scale. Therefore, in VMDC large pod simulations, cluster sizes are limited to eight servers; in smaller pod simulations, cluster sizes of 16 or 32 are used. As in previous VMDC releases, three compute profiles are created to represent large, medium, and small workload: "Large" has 1 vCPU/core and 16GB RAM; "Medium" has .5 vCPU/core and 8GB RAM; and "Small" has .25 vCPU/core and 4GB of RAM.

The UCS-based compute architecture has the following characteristics:

- It comprises multiple UCS 5100 series chassis (5108s), each populated with eight (half-width) server blades.
- Each server has dual 10 GigE attachment – in other words, to redundant A and B sides of the internal UCS fabric.
- The UCS is a fully redundant system, with two 2200 Series Fabric Extenders per chassis and two 6200 Series Fabric Interconnects per pod.
- Internally, eight uplinks per Fabric Extender feed into dual Fabric Interconnects to pre-stage the system for the maximum bandwidth possible per server. This configuration means that, each server will have 20 GigE bandwidth for server-to-server traffic within the UCS fabric.
- Each UCS 6200 Fabric Interconnect aggregates via redundant 10 GigE EtherChannel connections into the leaf or “access-edge” switch (Nexus 5500). The number of uplinks provisioned will depend upon traffic engineering requirements. For example, to provide an eight-chassis system with an 8:1 oversubscription ratio for internal fabric bandwidth to FabricPath aggregation-edge bandwidth, a total of 160 G (16 x 10 G) of uplink bandwidth capacity must be provided per UCS system.
- Four ports from an FC GEM in each 6200 Expansion Slot provide 8 Gig FC to the Cisco MDS 9513 SAN switches (for example, 6200 chassis A, 4 x 8G FC to MDS A and 6200 chassis B, 4 x 8G FC to MDS B). To maximize IOPS, the aggregate link bandwidth from the UCS to the MDS should match the processing capability of the storage controllers.
- The Nexus 1000V functions as the virtual access switching layer, providing per-VM policy and policy mobility

Storage

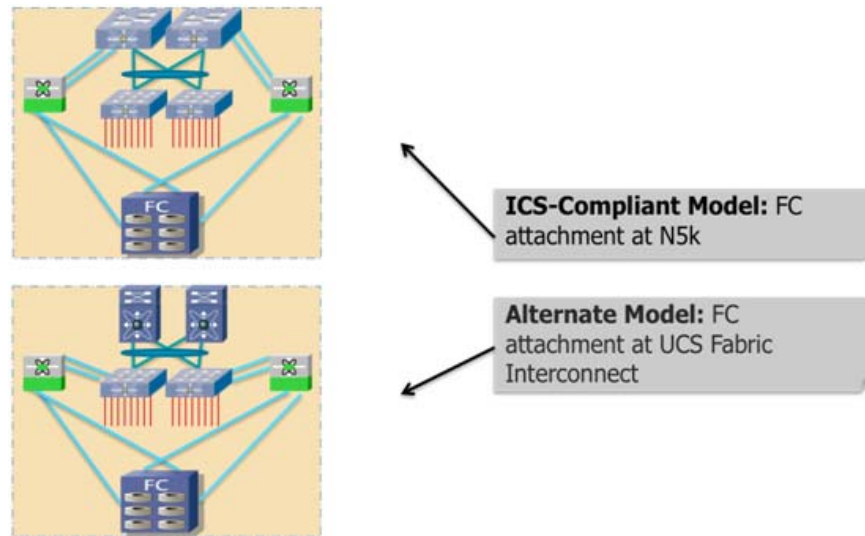
The VMDC SAN architecture remains unchanged from previous (2.0) programs. It follows current best practice guidelines for scalability, high availability, and traffic isolation. Key design aspects of the architecture include:

- Leverage of Cisco Data Center Unified Fabric to optimize and reduce LAN and SAN cabling costs
- High availability through multi-level redundancy (link, port, fabric, Director, RAID)
- Risk mitigation through fabric isolation (multiple fabrics, VSANs)
- Data store isolation through NPV/NPIV virtualization techniques, combined with zoning and LUN masking.

In terms of the VMDC validation work, the focus to date has been on consideration of storage as a distributed, pod-based resource. This focus is based on the premise that it is more efficient in terms of performance and traffic flow optimization to locate data store resources as close to the tenant hosts and vApps as possible. In this context, we have two methods of attaching FibreChannel storage components into the infrastructure as shown in [Figure 3-3](#):

1. Model that follows the ICS model of attachment via the Nexus 5000
2. Model that provides for an attachment at the UCS Fabric Interconnect

Figure 3-3 SAN FC Attachment



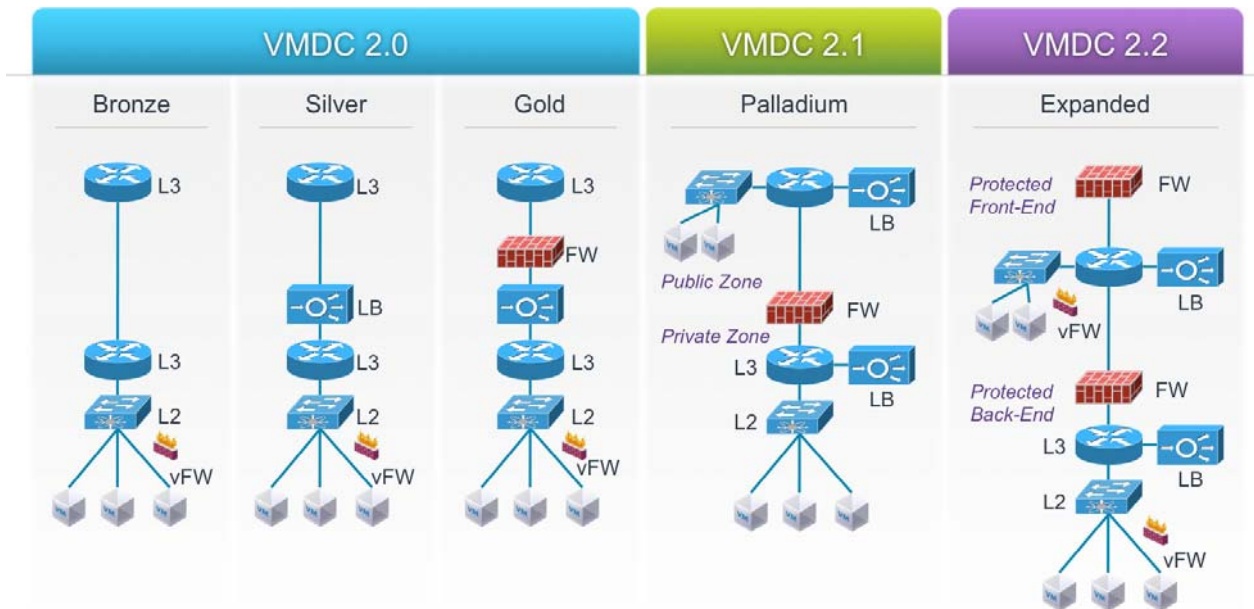
In both scenarios, Cisco's unified fabric capabilities are leveraged with converged network adapters (CNAs) providing "SAN-ready" servers, and N-Port Virtualizer on the UCS Fabric Interconnect or Nexus 5000 top-of-rack (ToR) switches enabling each aggregated host to be uniquely identified and managed through the fabric and over uplinks to the SAN systems. Multiple FC links are used from each (redundant) Nexus 5000 or UCS Fabric Interconnect to the MDS SAN switches, to match the current maximum processing capability of the SAN system and thus eliminate lack of bandwidth as a potential bottleneck between the SAN components and their point of attachment to the network infrastructure. Although Figure 3-3 shows a simplistic SAN switching topology, it is important to note that if greater SAN port switching capacity is required, the architecture supports (and has been validated with) more complex, two-tier core-edge SAN topologies, as documented in the VMDC 2.0 "Compact Pod Implementation Guide," and more generally in Cisco SAN switching best practice guides, available at http://www.cisco.com/en/US/prod/collateral/ps4159/ps6409/ps5990/white_paper_C11-515630.html.

Container Models

Virtualization of compute and storage resources enables sharing across an organizational entity. In contrast, virtualized multi-tenancy, a concept at the heart of the VMDC reference architecture, refers to the logical isolation of shared virtual compute, storage, and network resources. In essence, this is "bounded" or compartmentalized sharing. A tenant is a user community with some level of shared affinity. For example, within an enterprise, a tenant may be a business unit, department, or workgroup. Depending upon business requirements or regulatory policies, a tenant "container" may stretch across physical boundaries, organizational boundaries, and even between corporations.

A tenant container may reside wholly within their private cloud or may extend from the tenant's enterprise to the provider's facilities within a public cloud. The VMDC architecture addresses all of these tenancy use cases through a combination of secured data path isolation and a tiered security model that leverages classical security best practices and updates them for the virtualized multitenant environment. Earlier VMDC releases (2.0 through 2.2) presented six tenancy models. High-level, logical depictions of five of these models are illustrated in Figure 3-4.

Figure 3-4 Validated Cloud Tenancy Models



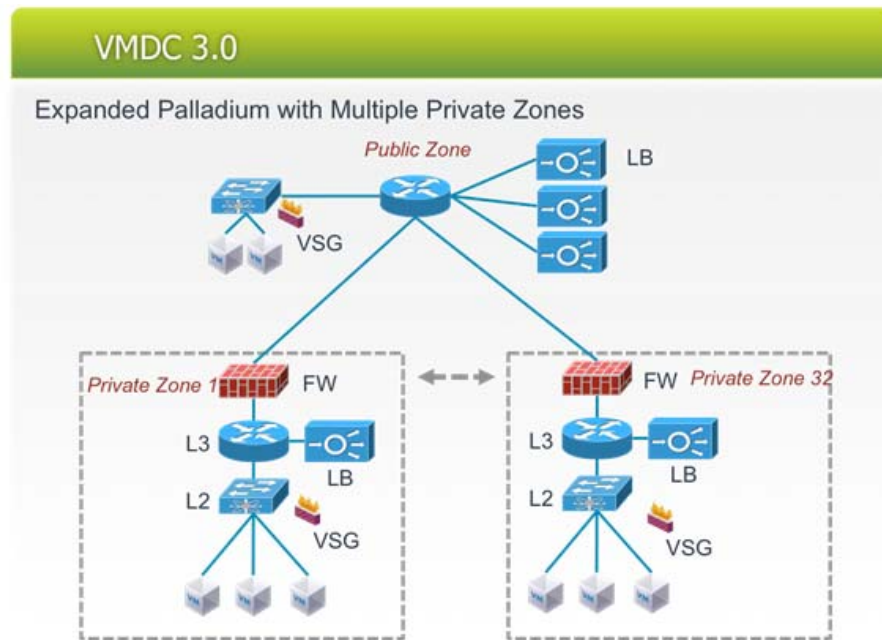
With the notion of a separate front-end and back-end set of zones, each of which may have a different set of network services applied, the Palladium container begins to more closely align with traditional zoning models in use in physical IT deployments, versus earlier VMDC models. Note that a fundamental assumption in this case is that infrastructure security (IPS, etc.) and secured access is implemented north of this tenant container.

As previously mentioned, due to its alignment with private cloud deployment models, this release employs a modified and updated version of the Palladium container. Figure 3-5 shows this modified model, were there is:

- A single, shared (multi-tenant) public zone, with multiple server VLANs and a single ACE context (or multiple contexts) for SLB. This is in the global routing table.
- Multiple, private (unique per-tenant or user group) firewalled zones reachable via the public zone – i.e., the firewall “outside” interface is in the public zone. These private zones include an ACE SLB, and may have 1 to many VLANs.
- A VSG can be applied in a multi-tenant/shared fashion to the public zone.
- A VSG can be applied in dedicated fashion to each of the private zones, providing a second tier of policy enforcement, and back-end (E/W) zoning. Unique VLANs may be used per zone for VLAN-based isolation. However, in validation we assumed the desire to conserve VLANs would drive one to use a single VLAN with multiple security zones applied for policy-based isolation.

An alternative way to view this model is as a single, DC-wide “tenant” with a single front-end zone and multiple back-end zones for (East/West) application-based isolation.

Figure 3-5 VMDC 3.0 Tenant Container



Network

Network considerations are detailed in the following sections:

- [Layer 3 Design, page 3-9](#)
- [Fabric Path, page 3-11](#)

Layer 3 Design

In VMDC 3.0 a combination of dynamic and static routing is used to communicate reachability information across the layer three portions of the infrastructure. In this design dynamic routing is achieved using OSPF as the IGP. Aggregation-edge nodes functioning as ASBRs use OSPF to advertise learned host routes across the IP core to the WAN Edge/PE routers. To scale IP prefix tables on these aggregation-edge nodes, they are placed in stub areas with the IP core advertising “default route” (Type 7) for reachability. Service appliances (ASA Firewall and ACE) are physically connected directly to the aggregation-edge nodes; reachability to/from these appliances are communicated via static routes.

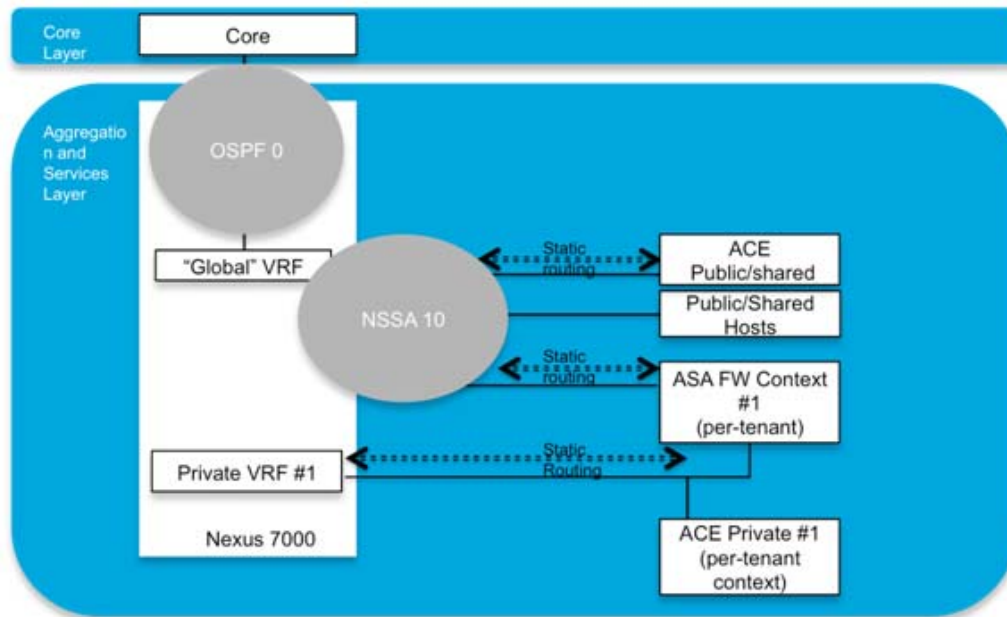
In the “Typical Data Center” design, the ACE appliance is configured in one-arm mode. This has several key benefits: it limits the extension of the fabricpath VLANs to the appliance(s); keeps the VLAN ARP entries off the ACE; and the port-channel method of attachment allows for a separation of failure domains. Source-NAT on the ACE insures symmetric routing. By contrast, in the “Extended Switched Data Center” the ACE appliance is configured in two-arm mode, providing for more optimal traffic flows (i.e., reducing traffic hairpinning) given that the ACE resides within a C6500 (Data Center Services Node chassis) in this model.

VRF-lite implemented on the aggregation-edge nodes provides a unique per-tenant VRF, serving to further secure and isolate private tenant applications and zones via dedicated routing and forwarding tables. Figure 3-6 shows a high level diagram of the layer three implementation for the Typical DC for a single tenant.

**Note**

Redundant aggregation-edge node and appliances are present, but not shown.

Figure 3-6 Logical Layer 3 Topology (Typical DC)



The Typical Data Center design features a two-node Layer 3 spine (aka aggregation-edge nodes). In this model, active/active gateway routing is enabled through the use of vPC+ on the inter-Spine (FabricPath) peer-link. This creates a single emulated switch from both spine nodes. HSRP thus announces the virtual MAC of the emulated switch ID, enabling dual-active paths from each access-edge switch device, serving to optimize resiliency and throughput, while providing for efficient East/West routing.

In the Extended Data Center Design, GLBP provides four gateways for a 4-wide spine, across which traffic may be load-balanced between pods or between intra-campus buildings. Members of a GLBP group elect one gateway to be the active virtual gateway (AVG) for that group. Other group members provide backup for the AVG in the event that the AVG becomes unavailable. The AVG assigns a virtual MAC address to each member of the GLBP group. Each gateway assumes responsibility for forwarding packets sent to the virtual MAC address assigned to it by the AVG. These gateways are known as active virtual forwarders (AVFs) for their virtual MAC address. GLBP provides load balancing over multiple routers (gateways) using a single virtual IP address and multiple virtual MAC addresses.

In this model, priorities have been set such that aggregation-edge 1 is the AVG for the hosts in pod 1 and the backup for hosts in pod 2 in Building 1; a similar set of priorities is applied to the gateways in Building 2.

This release leveraged GLBP as a “first look” at potential issues regarding use of 4-wide gateways, particularly as two-gateway implementations remain the prevalent deployment model. Looking forward, it should be noted that with NX-OS release 6.2, Anycast FHRP will become the recommended solution for 4 (or more) gateway use cases.

Fabric Path

Cisco FabricPath comprises a new Layer 2 data plane. It does this by encapsulating the frames entering the fabric with a header that consists of routable source and destination addresses. These addresses are the address of the switch on which the frame was received and the address of the destination switch to which the frame is heading. For this reason, switch IDs must be unique within the FabricPath domain; these are either automatically assigned (default) or set manually by the administrator (recommended). From there the frame is routed until it reaches the remote switch, where it is de-encapsulated and delivered in its original Ethernet format.

A fundamental aspect of FabricPath is that it uses an IS-IS control plane for establishing Layer 2 adjacencies within the FabricPath core; ECMP is therefore possible and spanning tree is no longer required within this type of layer 2 fabric for loop avoidance. Loop mitigation is addressed via TTL (Time to Live – decremented at each switch hop to prevent looping) and RPF checks for multi-destination traffic. Therefore as previously noted, a common initial use case for FabricPath is as part of a strategy to minimize reliance on Spanning Tree within the Data Center.

Today a FabricPath domain comprises a single logical topology. As part of the establishment of Layer 2 adjacencies across the logical topology, FabricPath nodes create two multidestination trees. These are computed automatically by IS-IS calculations. The highest priority switch is chosen as the root for the first multidestination tree (FTAG1), which is used for broadcasts and flooding and multicast. The second highest priority switch is chosen as the root for the second multidestination tree (FTAG2) which is used for multicast. The designs discussed in this document leverage the current best practice recommendation for root selection, which is to manually define the roots for the FTAG trees. In this case, the logical choice is to set the roots as the spine nodes, as they have the most direct connectivity across the span of leaf nodes. In the Typical Data Center, there are only two spine nodes, so each serves as a root. In the Extended Switched Data Center there are multiple spine nodes, in which case, two of the dedicated Layer 2 spines serve as roots for the FabricPath domain. Should a root fail, the switch with the next highest priority will take over as root.

In the event that devices that are part of non-FabricPath Layer 2 domains (i.e., spanning-tree dependent) are attached to FabricPath edge nodes via classical ethernet, this design leverages the best practice recommendation to configure edge nodes as spanning tree roots, to avoid inadvertent blocking of redundant paths.

Additional key design aspects of the FabricPath portion of the Typical Data Center design are summarized below:

- Two spine nodes, aggregating multiple leaf nodes (i.e., mirroring commonly-deployed hierarchical DC topologies).
- Routing at the Spine (aka Aggregation-edge) nodes. Together with the preceding bullet point, this provides for ease of migration from a traditional hierarchical deployment to a FabricPath deployment. The aggregation nodes now serve not just as the traditional Layer 2/Layer 3 boundary providing routed uplinks for North/South (routed) flows, but also as FabricPath spine nodes.
- FabricPath core ports at the spine (F1 in the SUT, but F2s are an option) provide bridging for East/West intra-VLAN traffic flows.



Note A FabricPath core port faces the core of the fabric, always forwarding Ethernet frames encapsulated in a FabricPath header.

- Leaf nodes (aka access-edge switches) provide pure layer two functions, with FabricPath core ports facing the aggregation layer switches.
- Classical Ethernet edge ports face all hosts.

- Layer 2 resilience design options utilized within this layer of the infrastructure comprise use of vPC+ on the inter-spine peer-link to implement active/active HSRP, ECMP, port-channels between agg-edge and access-edge nodes across the FabricPath core; and VPC+ on edge nodes for the following options –
 1. Attaching servers with Port-channels
 2. Attaching other Classic Ethernet Switches in vPC mode
 3. Attaching FEX in Active/Active mode

Key design aspects unique to the FabricPath portion of the Extended Switched Data Center design include:

- Multiple spine nodes, (four N7ks with F1 linecards in the SUT) operating as dedicated Layer 2-only spines. As previously noted, this provides for dedicated bridging for East/West (inter-pod and/or inter-building) intra-VLAN traffic flows. Since these nodes are used solely for fabric path switching, the FabricPath ports are all “core” ports, meaning that they only send and receive FabricPath-encapsulated traffic, do not run Spanning Tree Protocol (STP), and do not perform MAC learning.
- Two spine (aka aggregation-edge) nodes, aggregating multiple leaf nodes per building (at two buildings). As in the case of the Typical DC design, these four total nodes serve as the Layer 2/Layer 3 boundary for the FabricPath domain. However in this case GLBP rather than HSRP was utilized as the FHRP for gateway redundancy.

As of this writing the Nexus 7k supports two fabric path I/O modules – the N7K-F132XP-15 (NX-OS 5.1) and the N7K-F248XP-25 (NX-OS 6.0). Both of these can be used for FabricPath core ports. However, the F1 card only supports Layer 2 forwarding while the F2 card supports both Layer 2 and Layer 3 forwarding. These considerations are particularly applicable to the spine node configurations in the architectural models discussed in this document.

For example, with respect to the Aggregation-Edge (Layer 3 spine) nodes; in the “Typical DC” design the Nexus 7000 aggregation-edge node is configured with M1 and F1 line cards in a single VDC, forming the Layer 2/Layer 3 boundary. F1 cards perform Layer 2 forwarding functions, serving to connect FabricPath “core” VLANs. The M1 card provides Layer 2 SVIs or interfaces to the Layer 3 core of the infrastructure via routed ports, also performing proxy routing as required for packets received on F1 interfaces. This mixed-VDC scenario has the benefit of ease of deployment. However, a key consideration as of this writing (i.e., for pre-NX-OS 6.2 code releases) is that such designs will have a maximum MAC address constraint of 16,000. Proxy-Layer 2 learning functionality (targeted at NX-OS release 6.2) will allow the full M1 XL MAC address table size of 128k to be leveraged for M1/F1 mixed scenarios.

In contrast, in the “Extended DC” design the Nexus 7000 aggregation-edge nodes are configured with M1 and F1 (or alternatively, F2) line cards, each in their own VDC. This is a required deployment model for M1/F2 scenarios, but also has the advantage of offloading MAC learning from the M1 cards, they will simply learn ARPs on the Layer 3 interfaces. In this model the M1 VDC uses 802.1q with Layer 3 sub-interfaces for the routing function, while the F1/F2 VDC is configured with FabricPath forwarding and segments VLANs on specific SoCs, which are port-channelled to the M1 VDC. The scale is controlled through the number of port-channels created between the two VDCs.

With respect to the Access-Edge (leaf) nodes in the referenced models; Nexus 5548 (or 5596s) with FEX 2200s for port expansion provide TOR access. Alternatively, Nexus 7000s with F1 (or F2) line cards (and 2232 FEX-based port expansion) may perform this function, for EOR access into the fabric. The Nexus 5500 currently supports up to 24 FEX modules. If using the Nexus 2232PP this would allow for 768 edge ports per Nexus 5500 edge pair. Thus traffic oversubscription can be impacted greatly with increased FEX usage. Currently 4 FabricPath core facing port-channels with 4 members each are supported on the N5500.

The 6200 series Fabric Interconnects are connected to FabricPath edge nodes via HM-vPC today. FabricPath is on the roadmap but beyond the scope of this release.

As noted, one of the new Layer 2 resilience features introduced with FabricPath is vPC+. This provides a means for devices that do not support FabricPath to be attached redundantly to two separate FabricPath switches without resorting to Spanning Tree Protocol. Like vPC, vPC+ relies on PortChannel technology to provide multipathing and redundancy. Configuration of a pair of vPC+ edge nodes creates a single emulated FabricPath switch-id for the pair. Packets originated by either of the vPC+ pair are sourced with this emulated switch-id. The other FabricPath switches simply see the emulated switch-id as reachable through both switches. Prerequisites include direct connection via peer-link, and peer-keepalive path between the two switches forming the vPC+ pair.

In both designs, port-channels rather than single links are used in conjunction with equal cost multipath (ECMP) for access-edge to aggregation-edge core connections, providing enhanced resilience in the event of a single link member failure. As this is not default behavior (post NX-OS 5.2.4), an IS-IS metric must be configured on the port-channel to insure that an individual member link failure in a port-channel is transparent to the IS-IS protocol.

Services

VMDC 3.0 incorporates physical appliance based services, Data Center Service Node (DSN) service module based services, as well as virtual service form-factor offerings.

This systems release considers the implications of appliance-based methods of attachment and the VSS-based model of attachment. However, validation is focused on the first model. Services may be localized (i.e., intra-pod, as in previous VMDC systems releases), distributed (i.e., across several pods or buildings) or centralized.

In the Typical Data Center topology ([Figure 2-8](#)), service application is localized to a single pod, whereas in the Extended Data Center topology, service application is either centralized ([Figure 3-7](#)) or distributed across several pods ([Figure 3-8](#)).

Figure 3-7 Extended Switched DC—Centralized Service Attachment

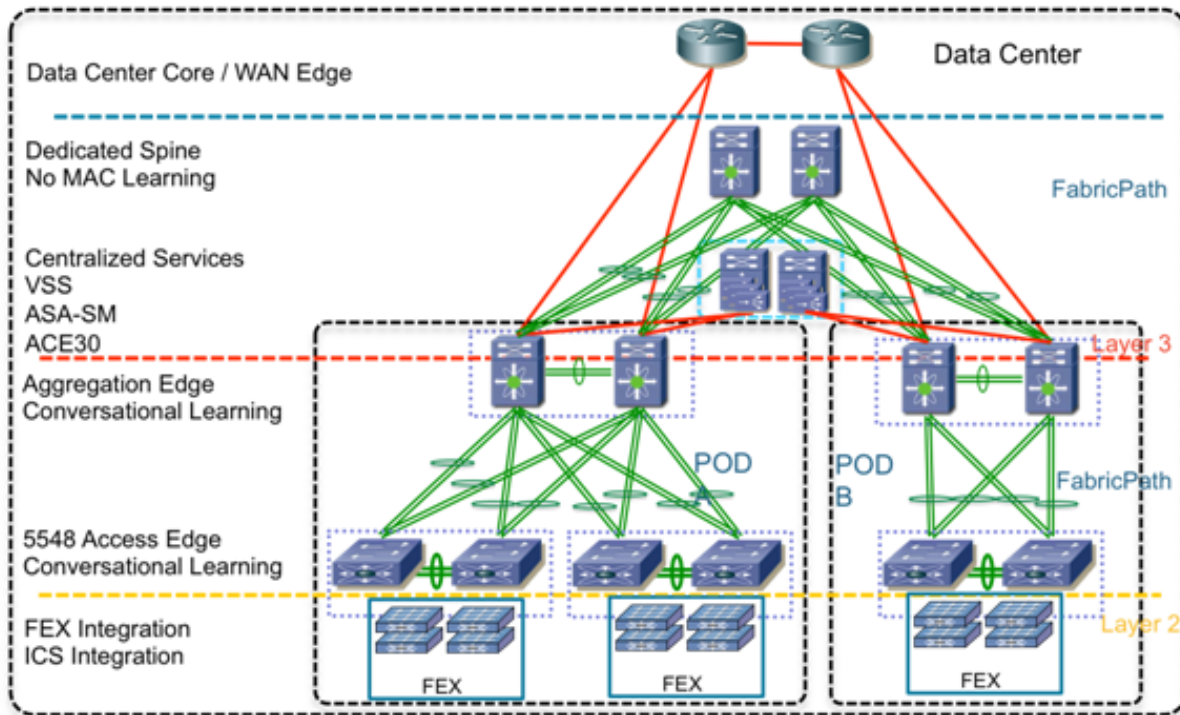
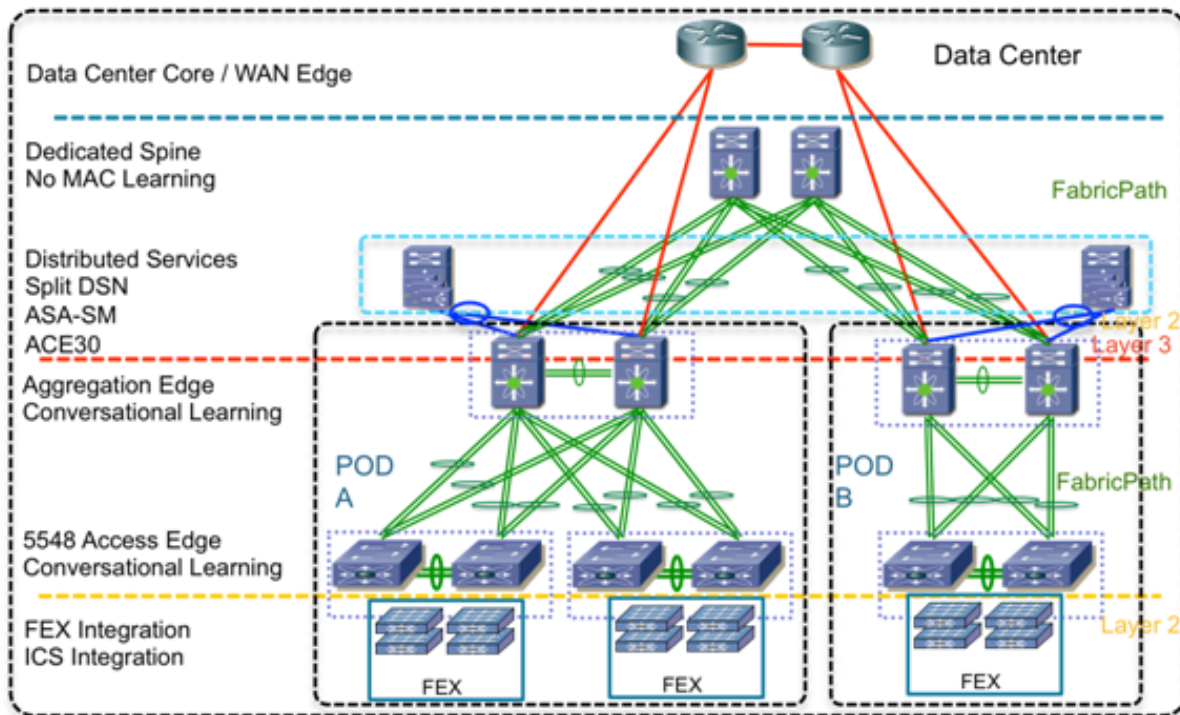


Figure 3-8 Extended Switched DC—Distributed Service Attachment



The ACE 4710 SLB and ASA 5585 firewall appliances were utilized in the Typical DC to provide load balancing and front-end/first-tier firewalling. Characteristics of localized appliance-based service attachment as implemented in the Typical DC model include:

- Classical Ethernet-based attachment to N7k aggregation-edge nodes. In both cases, port-channels from each appliance to a single uplink aggregation-edge node were utilized to provide resilient connectivity, though for the ASA vPCs are an alternative, and preferable option. In the vPC case, should a single aggregation-edge node fail, the ASA would still be able to pass traffic through the second aggregation-edge node, without requiring an ASA failover.
- As previously noted, the ACE is in “one-arm” mode to optimize traffic flows for load balanced and non-load balanced traffic. This limits the extension of fabricpath VLANs to the appliances?, and keeps the VLAN ARP entries off the ACE.
- Active/Active Failover between redundant appliances through configuration of active/standby pairs on alternating (primary/secondary) contexts.
- This design implementation follows current best-practice recommendations by utilizing out-of-band links for FT state communication between redundant appliances. For the ASA, interface monitoring is activated to insure proper triggering of failover to a standby interface, only one interface (inside or outside) must be monitored per FT failover group, though monitoring of both is possible. Should it feature higher resilience characteristics, the management path between the redundant ASAs could be a monitoring option.
- As noted previously, the appliances are statically routed, and redistributed into NSSA area 10.

Key considerations for this approach to service implementation are:

- Disaster Recovery implications – Disaster recovery could be more costly and challenging to implement versus more distributed models, due to the requirement to provide a complete replication of the network services resources and associated subnets at the DR location for failover. Doing this on a pod by pod basis may simply not be economically feasible, unless it is possible to establish and coordinate 1:N failover.
- By definition, this design is optimized for intra-pod communication and traffic flows; inter-pod VLANs with services applied could feature sub-optimal (less efficient) traffic flows.
- On the positive side, resource allocation for compute, storage and network services applied to multi-tiered applications is less complex, in that it is pod-based. This should translate to simpler workflow and resource allocation algorithms for service automation systems.
- Pod-based deployments represent a simple, clear-cut operational domain, for greater ease of troubleshooting and determination of dependencies in root-cause analysis.

In the Extended Switched DC, ACE-30 and ASA service modules were utilized within the DSN to provide load balancing and front-end/first-tier firewalling. To emulate appliance-mode attachment, the redundant DSNs were not configured as a VSS pair, but rather as separate but redundant nodes.

Characteristics of the distributed (emulated) appliance attachment as implemented include:

- vPC+ attachment to N7k aggregation-edge nodes.
- Active/Active Failover between redundant appliances through configuration of active/standby pairs on alternating (primary/secondary) contexts.
- As previously noted, the ACE is in two-arm mode in this case, to optimize traffic flows for load balanced and non-load balanced traffic flows through the infrastructure nodes.
- Though it is possible to utilize FabricPath as inter-building transport for FT links as well as data paths, as in the Typical DC case, this design implementation followed the best practice recommendation of out-of-band links for FT state communication between the emulated appliances (in this case, an Layer 2 port-channel was implemented for this purpose between DSN nodes).

- Auto-state configuration on the DSN provides a similar effect to interface monitoring on the ASA, insuring that if there is a DSN failure the ASA state will parallel this.
- Appliances are statically routed.

Key considerations for this approach to service implementation are:

- This is a more complex model versus the localized scenario. With subnets and SVI next-hops distributed across Layer 3 aggregation-edge devices for inter-pod traffic, there is the potential for longer convergence times in failover and recovery, as well as non-optimal service traffic flows, depending on the failure scenario and where server resources are located.
- With respect to the FT path, note that the underlying premise is that a direct (point to point) out-of-band path will be of higher availability than the in-band path. However, depending upon deployment specifics, it may not be feasible to utilize separate fibers (or copper) for this purpose. In this case, preferential QoS treatment should be applied to insure sufficient bandwidth and preferential treatment for FT traffic through the FabricPath nodes in the event of congestion. This will help to minimize latency through the fabric.
- Coupled with inter-building storage replication solutions or distributed storage solutions such as NetApp's MetroCluster or EMC's VPLEX, the distributed service implementation approach provides for service failover, in the event of facility outages.
- As stated, another option for service attachment is to centralize service nodes for use by multiple pods in the topology. In this model the Data Center Service nodes (DSNs) are configured as a VSS pair. Thus all services VLANs are contained in the VSS deployment (VSL), conserving the use of FabricPath VLANs (i.e., saving 3 VLANs per tenant). Key characteristics of this deployment model include:
 - The DSN operates in a Layer 3 configuration where all services traffic is routed.
 - Static routes or a dynamic routing protocol (IGP/BGP) may be used to communicate routes to or from the DSN.
 - Contexts can still be configured in active/active operation.

Key considerations for this approach to service implementation are:

- Service VLANs are offloaded from the FabricPath fabric.
- Service control plane traffic is contained within the VSS (VSL)
- Traffic flows from switching systems to service modules are localized. In this case, all traffic to/from services with any number of Pods attached is optimal. This translates to speedy reconvergence and service failover.
- Route Health Injection (RHI) may be leveraged for tuning of data center path selection.

Virtualization Techniques

VMware vSphere 5.0 is utilized as the tenant hypervisor resource in VMDC 3.0. Previous program releases leveraged vSphere 4.0 and 4.1. This covers integration with Cisco's Nexus 1000V distributed virtual switch enabling end to end visibility to the hypervisor level for security, prioritization, and virtual services.

Though not in scope for this VMDC release, alternate hypervisors may be utilized over the infrastructure provided Cisco UCS is in their prospective Hardware Compatibility List. As of this writing, the Nexus 1KV distributed virtual switch only has support for vSphere, however, these alternate hypervisor VMs can connect at the FEX or primary access layer, and participate in appliance based or DSN based services.

System Level Design Considerations

The following system level design considerations are defined:

- [Scalability, page 3-17](#)
- [Availability, page 3-18](#)
- [Security, page 3-19](#)
- [Manageability, page 3-19](#)
- [Service Assurance and Monitoring, page 3-19](#)

Scalability

The following lists the most relevant scale concerns for the models discussed in this system release.

- **VLAN Scale:** As of this writing (in NX-OS releases 5.2.5 through 6.1) a maximum of 2000 FabricPath-encapsulated VLANs is supported. This figure will be improved in subsequent releases. However, it is important to note that this by definition is a uni-dimensional figure, which does not factor in inter-related (Layer 2 to Layer 3) end-to-end traffic flow considerations such as FHRP constraints per module or per node. In practice, overall system VLAN scaling will be constrained by the effect of ARP learning rates on system convergence and FHRP (HSRP or GLBP) groups per module or interface, and per node. Regarding the latter, HSRP support per module is currently 500 and 1000 per system, with aggressive timers, or 2000 per system, with default timers; GLBP is 200 per module and 500 per system, with aggressive timers, or 1000 per system, with default timers.
- **Switches per FabricPath Domain:** NX-OS 5.2 supports a maximum of 64 switch ids; NX-OS 6.0 a maximum of 128.
- **Port Density per FabricPath Node:** At 48 ports per module, the F2 line cards provide up to 768 10 or 1 GE ports per switch (N7018), while the F1 cards provide up to 512 10GE ports (N7018). Again, these are uni-dimensional figures, but serve to give a theoretical maximum in terms of one measure of capacity. Currently the Nexus 7000 FabricPath limitation is 256 core ports or 256 edge ports.
- **MAC address (Host) Scale:** All FabricPath VLANs use conversational MAC address learning. Conversational MAC learning consists of a three-way handshake. This means that each interface learns only those MAC addresses for interested hosts, rather than all MAC addresses in the VLAN. This selective learning allows the network to scale beyond the limits of individual switch MAC address tables. Classical Ethernet VLANs use traditional MAC address learning by default, but the CE VLANs can be configured to use conversational MAC learning.

Despite the advantages of conversational learning for scale within the fabric, MAC address capacity does represent a scale factor on Layer 3 spine (aggregation) or leaf (access) nodes at the edges of the FabricPath domain. This is due to the fact that edge switches maintain both MAC address and Switch ID tables. Ingress switches use the MAC table to determine the destination Switch ID; egress switches may use the MAC table to determine output switchport. This release leveraged two scenarios for implementation of the M1/F1 cards on the Nexus 7000 aggregation-edge switches. In the mixed VDC case (M1/F1 in a single VDC), at present one must consider MAC address scale of 16,000 on each F1 SoC (Switch-on-Chip). There are 16 forwarding engines or SoCs on the F1 card. The MAC scale will be increased in the NX-OS 6.2 release where MAC-Proxy will leverage the XL table sizes on the M1 card and the MAC address capacity will become 128,000.

The split VDC approach enables higher MAC scaling by separating the functional roles into two separate VDCs (as of this writing the F2 card requires a separate VDC for deployment so this model fits well in F2 deployment cases). The F1/F2 VDC is configured with FabricPath forwarding and segments VLANs on specific SoCs which are port-channeled to the M1 VDC. The scale is

controlled with the number of port-channels created between the two VDCs. The M1 VDC uses 802.1q with Layer 3 sub-interfaces for the routing function. The M1 linecards no longer learn MAC addresses, rather ARPs on the Layer 3 interfaces.



Note The ARP capacity on the M1 card is 1 million. Effectively, in this scenario MAC capacity is limited only by the card distribution and number of ports available for intra-chassis port channels. However, end-to-end MAC capacity must be factored in, and ARP learning rates as well.

MAC capacity on the Nexus 5500 (layer 2) access-edge nodes is 24,000.

- **ARP Learning Rate:** As noted, ARP learning rates on layer 3 edge nodes affect system convergence for specific failure types. ARP learning rates of 100/second were observed on the Nexus 7000 aggregation-edge nodes during system validation. With tuning, this was improved to 250-300/second.
- **Tenancy:** The tenancy scope for the SUT was 32. However this does not represent the maximum scale of the architecture models. Within the models addressed in this release, several factors will constrain overall tenancy scale. These are - 1) VRFs per system. Currently, up to 1000 VRFs are supported per N7k aggregation edge node, but then additional factors include 2) End-to-end VLAN support (i.e., affected by FHRP (HSRP or GLBP) groups per card and per system; and 3) 250 contexts per ASA FW appliance – one may increment this up by adding appliances if needed.

Availability

The following methods are used to achieve High Availability within the VMDC Data Center architecture:

- Routing and Layer 3 redundancy at the core and aggregation/leaf nodes of the infrastructure. This includes path and link redundancy, non-stop forwarding and route optimization.
- In the “Typical Data Center” (2-node spine topology) VPC+ is configured on inter-spine peer-links and utilized in conjunction with HSRP to provide dual-active paths from access edge switches across the fabric.
- Similarly, in the “Extended Switched Fabric Datacenter” topology with 4-wide aggregation-edge nodes, GLBP is utilized to distribute routed traffic over 4 aggregation edge nodes. Looking forward, in NX-OS 6.2, Anycast FHRP will be the preferred option for four or greater redundant gateways.
- Layer 2 redundancy technologies are implemented through the FabricPath domain and access tiers of the infrastructure. This includes arp synchronization in VPC/VPC+-enabled topologies to minimize flooding of unknown unicast and reconvergence; ECMP; utilization of port-channels between FabricPath edge/leaf and spine nodes to minimize Layer 2 IS-IS adjacency recalculations; and IS-IS SPF tuning, CoPP, GLBP and HSRP timer tuning on aggregation edge nodes, again to minimize system reconvergence.
- Active/Active (active/standby of alternating contexts) on services utilized in the architecture.
- Hardware and Fabric redundancy throughout.
- (VEM) MCEC uplink redundancy and VSM redundancy within the virtual access tier of the infrastructure.
- Within the compute tier of the infrastructure, port-channeling, NIC teaming and intra-cluster HA through utilization of VMware’s VMotion.

Security

The security framework from the VMDC 2.1 and 2.2 systems are leveraged for tenancy separation and isolation. Security related considerations include:

- **Aggregation Layer (Layer 3) Separation:** VRF-lite implemented on aggregation-edge nodes at the aggregation layer provides per tenant isolation at Layer 3, with separate dedicated per-tenant routing and forwarding tables on the inside interfaces of firewall contexts. All inter-tenant traffic has to be routed at the outside interfaces on the Firewall that resides in the global VRF. Policies can be applied on the firewall to restrict inter-tenant communication.
- **Access and Virtual Access Layer (Layer 2) Separation:** VLAN IDs and the 802.1q tag provide isolation and identification of tenant traffic across the Layer 2 domain, and more generally, across shared links throughout the infrastructure.
- **Network Services Separation (Services Core, Compute):** On physical appliance or service module form factors, dedicated contexts or zones provide the means for virtualized security, load balancing, NAT, and SSL offload services, and the application of unique per-tenant policies at the VLAN level of granularity. Similarly, dedicated virtual appliances (i.e., in vApp form) provide for unique per-tenant services within the compute layer of the infrastructure at the virtual machine level of granularity.
- **Storage:** This revision of VMDC design uses NetApp for NFS storage, which enables virtualized storage space such that each tenant (application or user) can be separated with use of IPspaces and VLANs mapped to network layer separation. In terms of SANs, this design uses Cisco MDS 9500 and EMC VMAX for Block Storage. This allows for Fiber Channel (FC) access separation at the switch port level (VSAN), Logical path access separation on the path level (WWN/Device Hard Zoning), and at the virtual media level inside the Storage Array (LUN Masking and Mapping).

Manageability

This section addressed service provisioning and orchestration. This architecture leverages BMC's Cloud Lifecycle Management solution for automated Service Orchestration. CLM was addressed in previous system releases (VMDC 2.0 and updated in the VMDC2.2 release). Additional documentation can be found on Design Zone at [Cloud Orchestration with BMC CLM](#).

Service Assurance and Monitoring

Service assurance is generally defined as the application of policies and processes ensuring that services offered over networks meet a pre-defined service quality level for an optimal subscriber experience. The practice of service assurance enables providers to control traffic flows and identify faults and resolve those issues in a timely manner so as to minimize service downtime. The practice also includes policies and processes to proactively diagnose and resolve service quality degradations or device malfunctions before subscribers are impacted.

In VMDC network service assurance encompasses the following concepts:

- [Traffic Engineering, page 3-20](#)
- [Quality of Service Framework, page 3-24](#)
- [Network Analysis, page 3-28](#)
- [NetFlow, page 3-28](#)
- [Encapsulated Remote Switched Port Analyzer \(ERSPAN\), page 3-30](#)

- [CLSA-VMDC \(Cloud Service Assurance for VMDC\), page 3-32](#)

Traffic Engineering

Traffic engineering is a method of optimizing the performance of a network by dynamically analyzing, predicting and regulating the behavior of data transmitted over that network.

PortChannels are frequently deployed for redundancy and load sharing capabilities. Since the Cisco Nexus 1000V Series is an end-host switch, the network administrator can use a different approach than can be used on a physical switch, implementing a PortChannel mechanism in either of two modes:

- **Standard PortChannel:** The PortChannel is configured on both the Cisco Nexus 1000V Series and the upstream switches
- **Special PortChannel:** The PortChannel is configured only on the Cisco Nexus 1000V Series, with no need to configure anything upstream. There are two options available here, MAC Pinning and vPC Host Mode.

Regardless of the mode, PortChannels are managed using the standard PortChannel CLI construct, but each mode behaves differently.

For more information on the Nexus 1000v Port-Channel configurations follow this link:

http://www.cisco.com/en/US/prod/collateral/switches/ps9441/ps9902/guide_c07-556626.html#wp9000299

The VMDC virtual access layer design utilizes vPC-Host Mode and then uses MAC Pinning to select specific links from the port channel. As discussed in previous system releases, multiple PortChannels may be utilized for a more granular approach to uplink traffic management on the Nexus 1000v.. These options are shown in [Figure 3-9](#) and [Figure 3-9](#).

Figure 3-9 Nexus 1000v single Uplink PortChannel Model

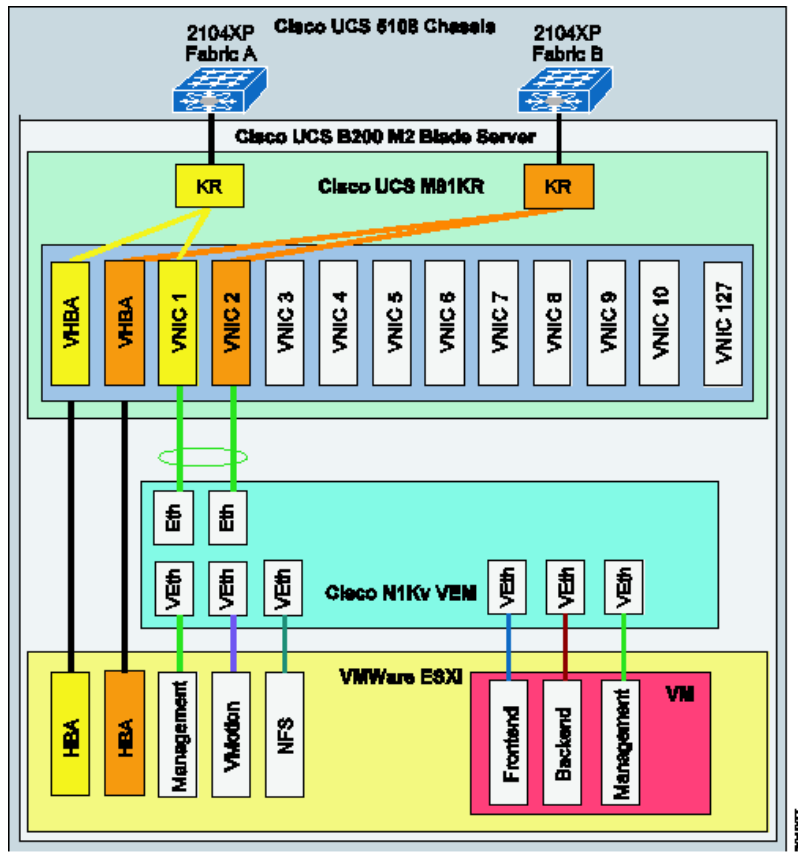
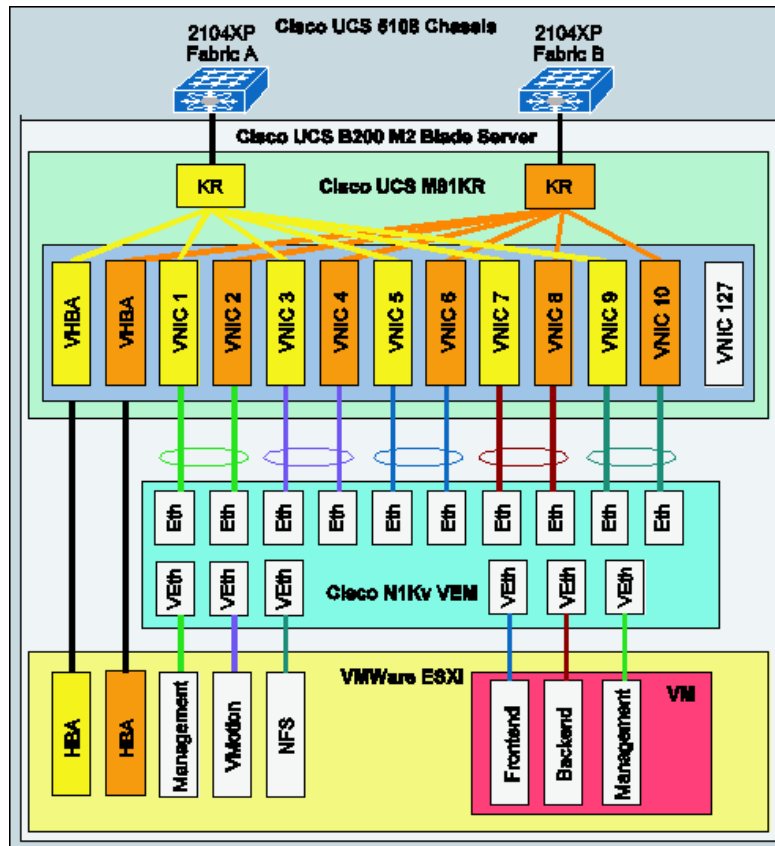


Figure 3-10 Nexus 1000v 5 Uplink PortChannel Model



Traffic engineering can be performed selectively by configuring the Nexus 1000v to select the target uplink with a manual configuration (static pinning) instead of the default. For example, front-end traffic that contains many diversified flows can use both members (fabrics) of the port-channel. On the other hand, back-end traffic, which has more diversity in terms of bandwidth/response time usage (VM-to-VM - inter fabric traffic flows, vMotion, backup, and so forth) may benefit by selecting a path such that it allows VM-to-VM traffic to remain within a single fabric where the Fabric Interconnect switches the traffic locally. Table 3-1 lists key architectural features of VMDC 3.0.

Table 3-1 Traffic Classification Example for MAC Pinning

Traffic Type	Classification	UCS Fabric	Mac-Pining Option	Rational
Front End Traffic	Tenant Data	Fabric A & B	Automatic	Load Share on all available uplinks, most traffic should be exiting the pod through the Aggregation-Edge Nexus 7000
Back End Traffic	Tenant Data	Fabric-A	Manual	Keep most back end traffic local switched on one Fabric Interconnect
vMotion	VMkernel/Control	Fabric-B	Manual	Keep vMotion traffic local switched on one Fabric Interconnect

MAC Pinning

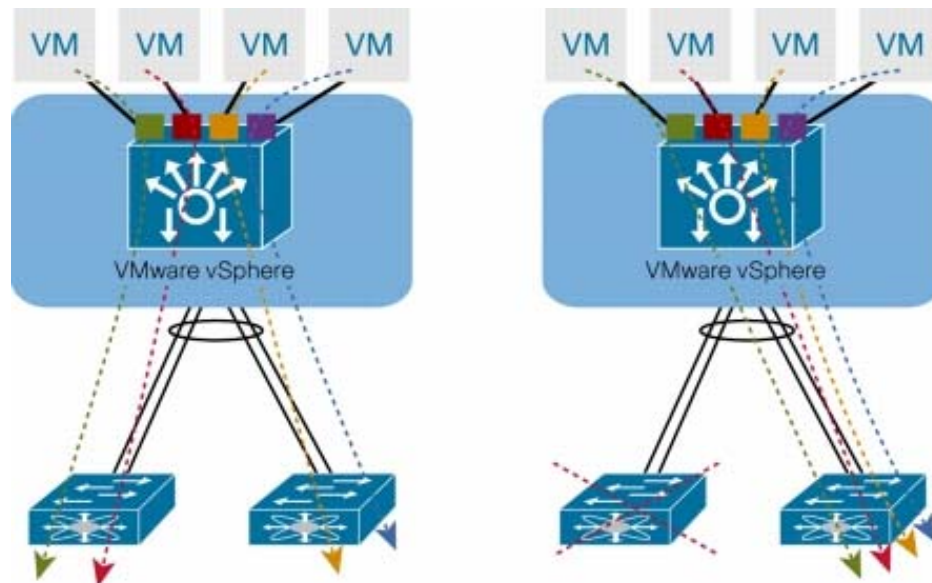
MAC pinning defines all the uplinks coming out of the server as standalone links and pins different MAC addresses to those links in a round-robin fashion. This approach helps ensure that the MAC address of a virtual machine will never be seen on multiple interfaces on the upstream switches. Therefore, no upstream configuration is required to connect the Cisco Nexus 1000V Series VEM to the upstream switches (Figure 3-11).

Furthermore, MAC pinning does not rely on any protocol to distinguish the different upstream switches, making the deployment independent of any hardware or design.

However, this approach does not prevent the Cisco Nexus 1000V Series from constructing a PortChannel on its side, providing the required redundancy in the data center in case of a failure. If a failure occurs, the Cisco Nexus 1000V Series will send a gratuitous Address Resolution Protocol (ARP) packet to alert the upstream switch that the MAC address of the VEM learned on the previous link will now be learned on a different link, enabling failover in less than a second.

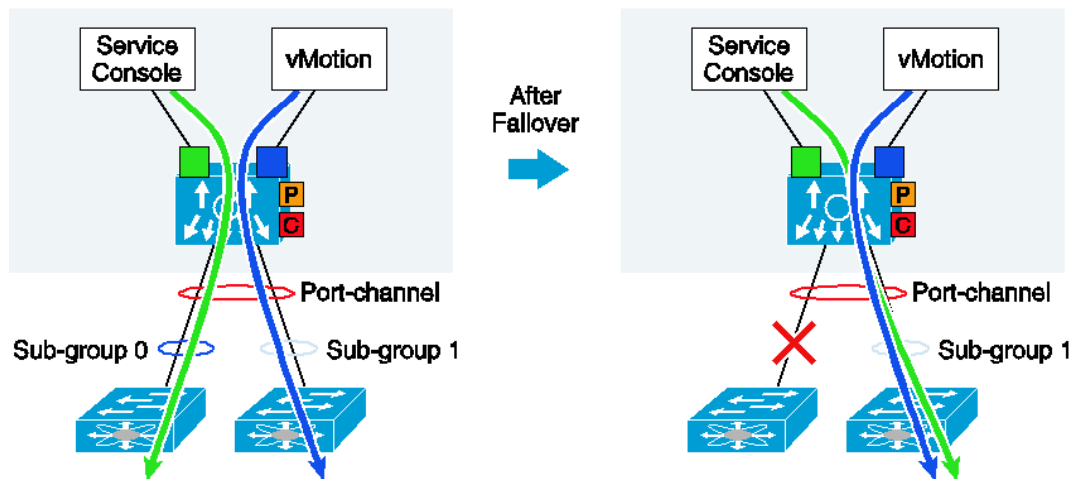
MAC pinning enables consistent and easy deployment of the Cisco Nexus 1000V Series since it does not depend on any physical hardware or any upstream configuration, and it is the preferred method for deploying the Cisco Nexus 1000V Series if the upstream switches cannot be clustered.

Figure 3-11 MAC-Pinning Details



In the case of a fabric failure the Nexus 1000 selects the available remaining fabric to recover the traffic. Figure 3-12 shows the fabric failover with sub-group mac-pinning.

Figure 3-12 MAC-Pinning Failover



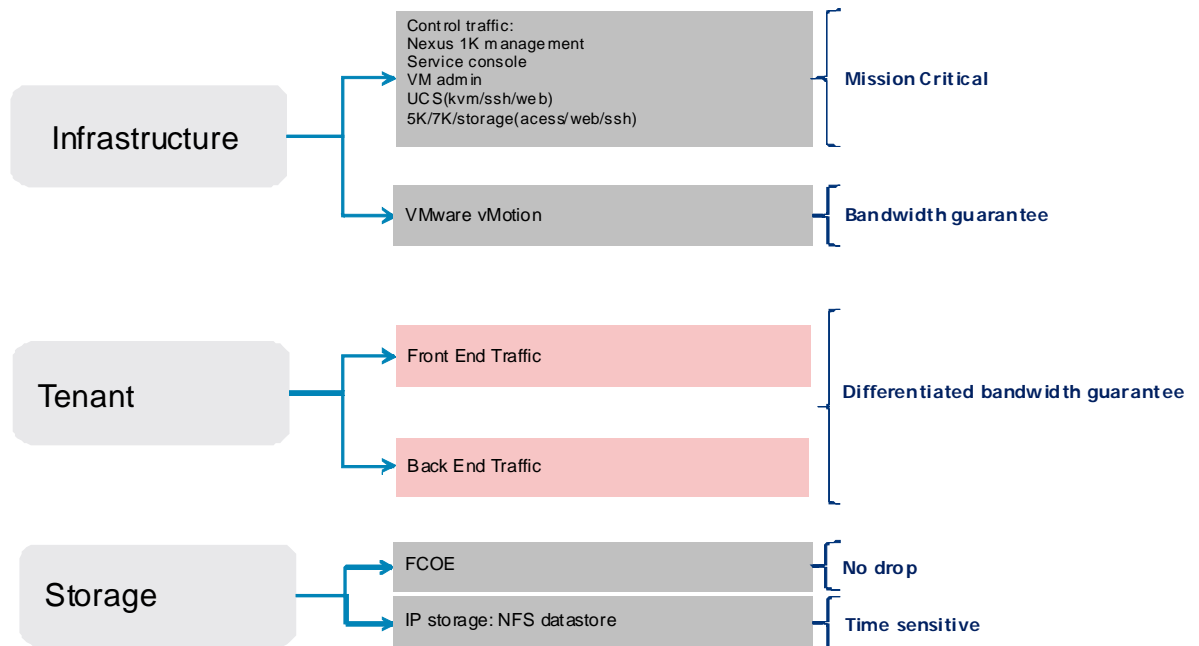
Quality of Service Framework

Quality of Service is a key to service assurance because it enables differentiated treatment of specific traffic flows. This differentiated treatment ensures that in the event of congestion or failure conditions, critical traffic is provided sufficient amount bandwidth to meet throughput requirements.

Figure 3-13 illustrates the different traffic flow types defined in previous VMDC releases. These traffic types are organized in infrastructure, tenant, and storage traffic categories.

- Infrastructure traffic comprises management and control traffic, including VMware service console and vMotion communication. This is typically set to the highest priority in order to maintain administrative communications during periods of instability or high CPU utilization.
- Tenant traffic may be differentiated into Front End and Back End Traffic with service levels to accommodate various types of traffic requirements in each category.
- The VMDC design incorporates both FC and IP-attached storage. As indicated in Figure 3-13, storage requires two sub-categories, since these traffic types are treated differently throughout the network. FC traffic by definition requires a “no drop” policy, while NFS datastore traffic is sensitive to delay and loss.

Figure 3-13 Traffic Flow Types



To provide differentiated services, VMDC leverages the following QoS functionality:

- Traffic [Classification and Marking, page 3-25](#)
- Congestion Management and Avoidance ([Queuing, Scheduling, and Dropping, page 3-26](#))
- Traffic Conditioning ([Shaping and Policing, page 3-27](#))

Classification and Marking

Classification and marking allow QoS-enabled networks to identify traffic types based on information in source packet headers (i.e., Layer 2 802.1p CoS and DSCP information) and assign specific markings to those traffic types for appropriate treatment as the packets traverse nodes in the network. Marking (coloring) is the process of setting the value of the DSCP, MPLS EXP, or Ethernet Layer 2 CoS fields so that traffic can easily be identified later, i.e. using simple classification techniques. Conditional marking is used to designate in-contract (i.e., "conform") or out-of-contract (i.e., "exceed") traffic.

As in previous releases, the traffic service objectives considered translate to support for three broad categories of traffic:

1. Infrastructure
2. Tenant service classes (three data; two multimedia priority)
3. Storage

[Figure 3-14](#) shows a more granular breakdown of the requisite traffic classes characterized by their DSCP markings and per-hop behavior (PHB) designations. This represents a normalized view across the VMDC and Hosted Collaboration (HCS) validated reference architectures in the context of an eight-class IP/NGN aligned model.

Figure 3-14 VMDC Traffic Classes (8-Class Reference)

Traffic Class	EXP/CoS	DSCP	PHB
Utility Compute Data: Bronze-Standard	0	CS0	Default
Utility Compute Data: Silver-Business to Business & Webex Collaboration Data (Interactive)	1	CS1	AF
Utility Compute Data: Gold – Business Critical	2	CS2	AF
Storage – FCOE & VoIP Call Control	3	CS3	AF42,AF43
Video Streaming (Future)	4	CS4	AF41
VoIP Bearer & Video Conference	5	CS5	EF
Network Control	6	CS6	AF
Network Mgmt & Service Control	7	CS7	AF

Note that in newer datacenter QoS models CoS 3 is reserved for loss-less data (FCoE). However, in older WAN/Campus QoS services models, CoS 3 is used for VOIP signaling. The table above assumes that FCOE traffic will be localized to the UCS and Ethernet-attached Storage systems, thus enabling the use of CoS 3 for VoIP signaling traffic within the DC QoS domain.

It is a general best practice to mark traffic at the source-end system or as close to the traffic source as possible in order to simplify the network design. However, if the end system is not capable of marking or cannot be trusted, one may mark on ingress to the network. In the VMDC QoS framework the Cloud Data Center represents a single QoS domain, with the Nexus 1000V forming the "southern" access edge, and the ASR 9000 or ASR1k forming the "northern" DC PE/WAN edge. These QoS domain edge devices will mark traffic, and these markings will be trusted at the nodes within the data center infrastructure; in other words, they will use simple classification based on the markings received from the edge devices.

In VMDC, the assumption is that the DSCP values will not be altered. Intermediate nodes would ideally support QoS transparency, such that CoS values would not need to be re-marked.

Queuing, Scheduling, and Dropping

In a router or switch, the packet scheduler applies policy to decide which packet to dequeue and send next, and when to do it. Schedulers service queues in different orders. The most frequently used are:

- First in, first out (FIFO)
- Priority scheduling (aka priority queuing)
- Weighted bandwidth

We use a variant of weighted bandwidth queuing called class-based weighted fair queuing/low latency queuing (CBWFQ/LLQ) on the Nexus 1000V at the southern edge of the DC QoS domain, and at the ASR 9000 or ASR1k northern DC WAN edge, we use priority queuing (PQ)/CBWFQ to bound delay and jitter for priority traffic while allowing for weighted bandwidth allocation to the remaining types of data traffic classes.

Queuing mechanisms manage the front of a queue, while congestion avoidance mechanisms manage the tail end of a queue. Since queue depths are of limited length, dropping algorithms are used to avoid congestion by dropping packets as queue depths build. Two algorithms are commonly used: weighted tail drop (often for VoIP or video traffic) or weighted random early detection (WRED), typically for data traffic classes. As in previous releases, WRED is used to drop out-of-contract data traffic (i.e., CoS value 1) before in-contract data traffic (i.e., Gold, CoS value 2), and for Bronze/Standard traffic (CoS value 0) in the event of congestion.

One of the challenges in defining an end-to-end QoS architecture is that not all nodes within a QoS domain have consistent implementations. Within the cloud data center QoS domain, we run the gamut from systems that support 16 queues per VEM (i.e., Nexus 1000V) to four internal fabric queues (i.e., Nexus 7000). This means that traffic classes must be merged together on systems that support less than eight queues. Figure 3-15 shows the class to queue mapping that applies to the cloud data center QoS domain in the VMDC 2.2 reference architecture, in the context of alignment with either the HCS reference model or the more standard NGN reference.

Figure 3-15 VMDC Class to Queue Mapping

VMDC 8 class model	COS	VMDC HCS Aligned 8 Class Model	VMDC NGN Aligned 8 Class Model	VMDC (61x0) 6 class model	HCS 6 class model	4 class model N7k fabric
Network Mgmt + Service control	7	Network Mgmt + VM control	Network Mgmt + VM control	Network Mgmt (COS 7) + Service control (COS 7) + Network control (COS 6)	Network Mgmt (COS 7) + Service control (COS 7) + Network control (COS 6)	Queue 4
Network control	6	Network control	Network control			
Priority #1	5	Voice bearer	Res VoIP / Bus Real-time	Priority #1	Voice bearer	Queue 1
Bandwidth #1 (Priority 2)	4	Interactive Video	Video streaming	Bandwidth #1	Interactive Video	
Bandwidth #2	3	Call Control	Video interactive / FCOE	FCOE (Bandwidth #2)	Call Control	Queue 2
Bandwidth #3 "Gold"	2	FCOE	Bus critical in-contract (COS 2) Bus critical out-of-contract (COS 1)*	Bus critical in-contract (COS 2) Bus critical out-of-contract (COS 1)*	FCOE	
Bandwidth #4 "Silver"	1	Webex collaboration data (interactive)	Silver	Silver	Webex collaboration data + Standard data	Queue 3
Standard (Bandwidth #5) "Bronze"	0	Standard data	Standard data	Standard		

* Different drop thresholds for in- and out-of-contract

Shaping and Policing

Policing and shaping are techniques used to enforce a maximum bandwidth rate on a traffic stream; while policing effectively does this by dropping out-of-contract traffic, shaping does this by delaying out-of-contract traffic. VMDC utilizes policing within and at the edges of the cloud data center QoS domain to rate limit data and priority traffic classes. At the data center WAN Edge/PE, hierarchical QoS (HQoS) may be implemented on egress to the Cloud data center; this uses a combination of shaping and policing in which Layer 2 traffic is shaped at the aggregate (port) level per class, while policing is utilized to enforce per-tenant aggregates.

Sample bandwidth port reservation percentages are shown in Figure 3-16.

Figure 3-16 Sample Bandwidth Port Reservations

Traffic Class	EXP/CoS	BW Reserved (Remaining After Priority)	Actions
Utility Compute Data: Bronze-Standard	0	15% (17%)	WRED
Utility Compute Data: Silver-Business & Webex Collaboration Data (Interactive)*	1	60% (70%)	WRED Out of Contract dropped before in contract
Utility Compute Data: Gold – Business Critical	2		WRED
Storage – FCOE & VoIP Call Control	3	3% (4%)	
Video Streaming (Future)*	4	-	
VoIP Bearer & Video Conference	5	15%	Priority, egress policed per tenant
Network Control	6	4% (5%)	
Network Mgmt & Service Control	7	3% (4%)	

Network Analysis

The use of network analysis devices is another service readily available in the VMDC design. The Cisco Nexus 1000v NAM VSB is integrated with the Nexus 1010 Virtual Services Appliance to provide network and performance visibility into the Nexus 1000V switching deployment. The NAM VSB uses embedded instrumentation, such as Netflow and Encapsulated Remote SPAN (ERSPAN) on the Nexus 1000V switch as the data source for traffic analysis, application response time, interface statistics, and reporting.

For more information on the Cisco Prime NAM for Nexus 1010 deployment follow the link below:

http://www.cisco.com/en/US/docs/net_mgmt/network_analysis_module_virtual_blade/4.2/install/guide/nexus/nx42_install.html

NetFlow

NetFlow was developed by Cisco to provide better insight into the IP traffic on the network. NetFlow defines flows as records and exports these records to collection devices. NetFlow provides information about the applications in and utilization of the data center network. The NetFlow collector aggregates and assists network administrators and application owners to interpret the performance of the data center environment.

The use of NetFlow is well documented in a traditional network environment, but the Nexus 1000v provides this capability within the virtual network environment. Nexus 1000v supports NetFlow v9 and by default will use the management 0 interface as an export source.

**Caution**

The use of advanced features such as NetFlow will consume additional resources (i.e., memory and CPU, of your ESX host). It is important to understand these resource dynamics before enabling any advanced features.

Figure 3-17 shows the Cisco NetFlow Collector reporting application statistics on the virtual Ethernet interfaces that reside on the Nexus 1000v. The Nexus 1000v may also monitor flows from the physical interfaces associated with the platform and VMkernel interfaces including VMotion traffic as seen in Figure 3-18.

Figure 3-17 Cisco Netflow Collector Application Statistics Example

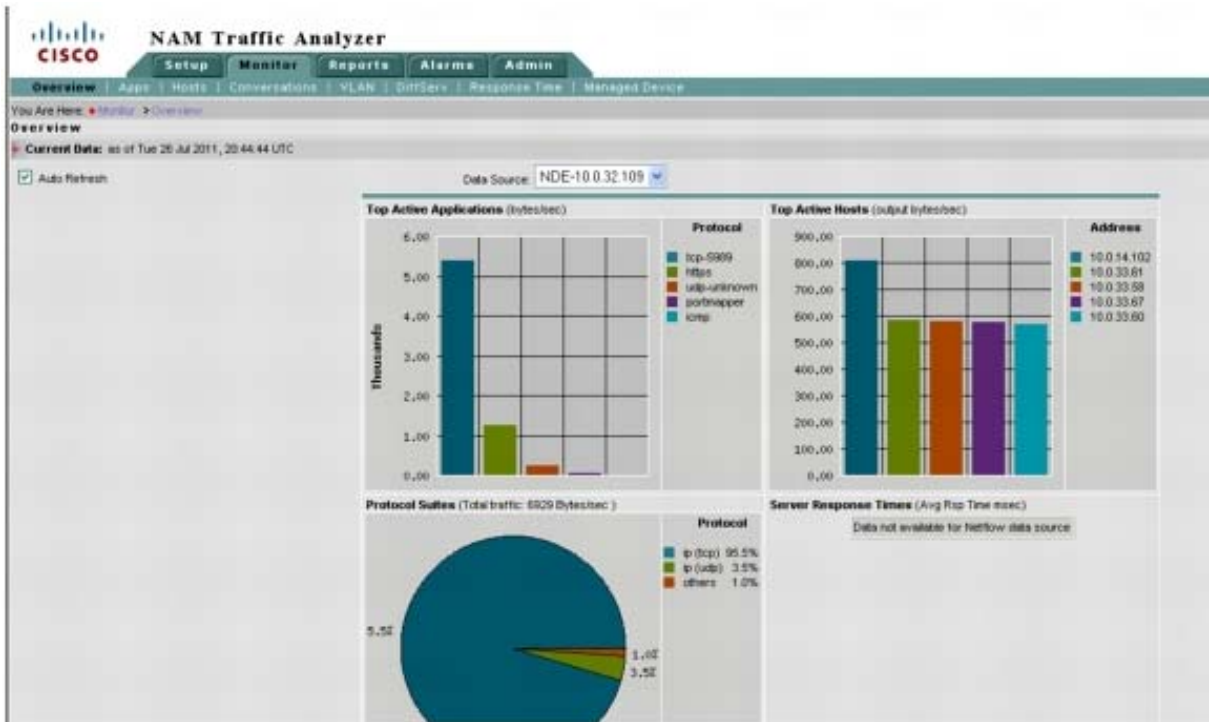
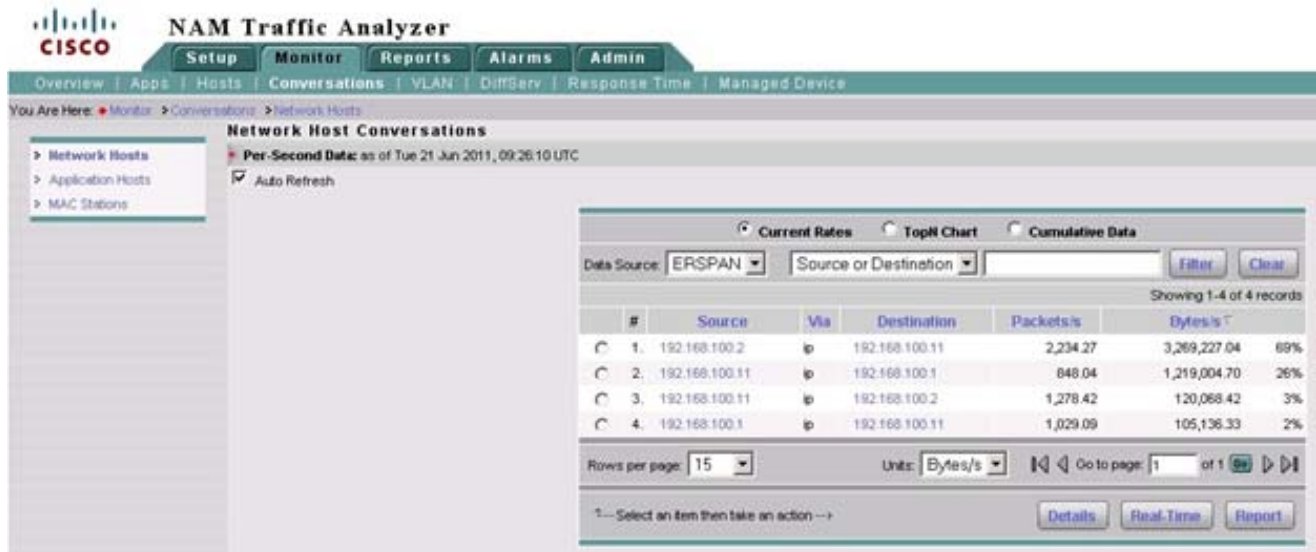


Figure 3-18 Cisco Netflow Collector Nexus 1000v vMotion Results Example



Encapsulated Remote Switched Port Analyzer (ERSPAN)

ERSPAN allows for remote monitoring of network resources. ERSPAN uses GRE tunnels to route traffic to the appropriate destination. The Nexus 1000v supports ERSPAN, allowing network administrators to observe the traffic associated with the following:

- The individual vNIC of a virtual machine connected to a VEM
- The physical ports associated with the ESX host
- Any port channels defined on the VEM

This flexibility allows the ERSPAN session to not only monitor data associated with virtual machines, but to monitor all traffic associated with the ESX host including VMkernel, VMotion, and service console data. Converging all of these traffic types onto two or a maximum of four CNAs per-ESX host simplifies not only the physical design of the data center but the configuration of the capture points as well.

In the validation of this solution, the final destination for ERSPAN traffic was the Virtual Network Analysis Module (vNAM) resident in Nexus 1010.

For more information on configuring ERSPAN on the Nexus 1000v follow this link:

http://www.cisco.com/en/US/docs/switches/datacenter/nexus1000/sw/4_0_4_s_v_1_2/system_management/configuration/guide/n1000v_system_9span.html



Caution

The use of advanced features such as ERSPAN will consume additional resources (i.e., memory and CPU of the ESX host). It is important to understand these resource dynamics before enabling any advanced features.

Figure 3-19 and Figure 3-20 show examples of a packet decode and application performance metrics available from the ERSPAN data.

Figure 3-19 View of NAM Captured Data from VM NIC

The screenshot displays the 'NAM Traffic Analyzer - Packet Decoder' interface. At the top, it shows the Cisco logo and the title 'Capture1'. Below the title, there are navigation buttons: 'Stop', 'Prev', 'Next', '1000', 'Go to', '1', 'Display Filter', and 'TCP Stream'. The main area contains a table of captured packets with the following columns: Pkt, Time (s), Size, Source, Destination, Protocol, and Info.

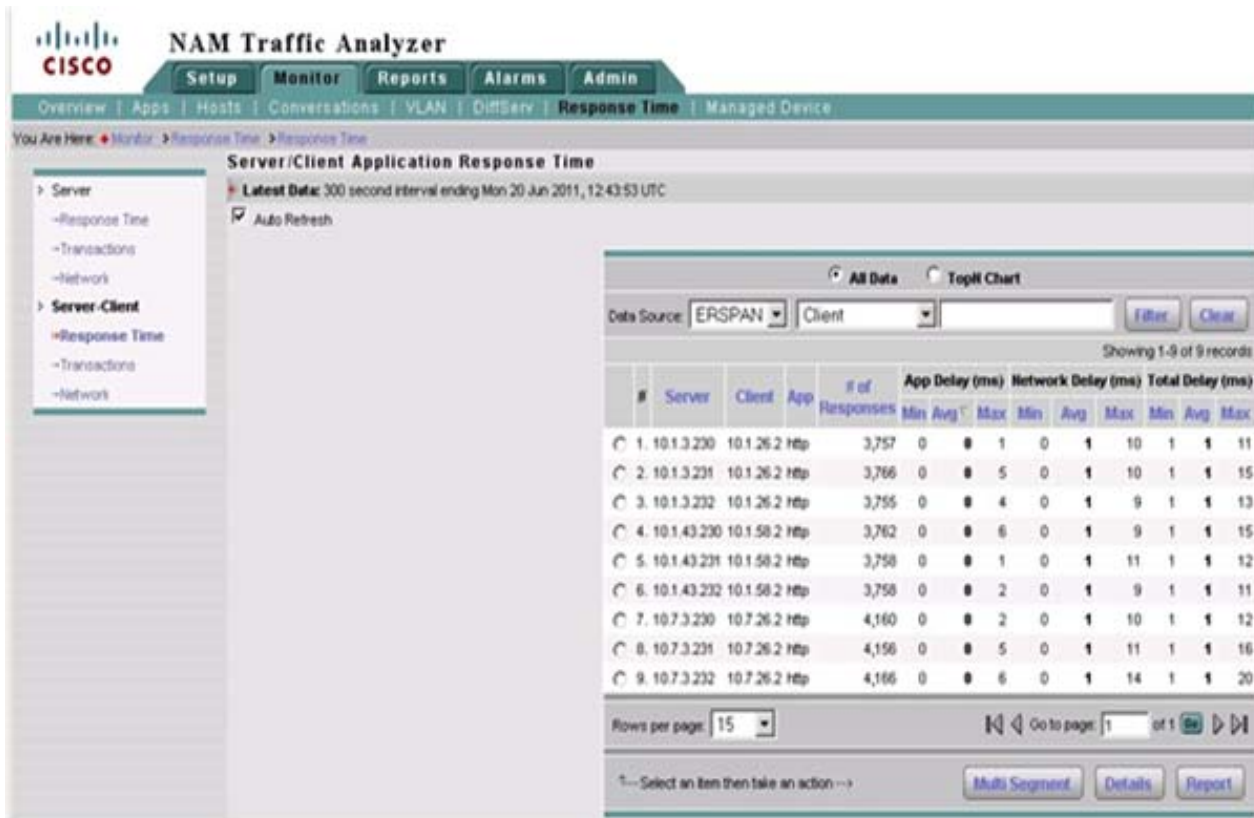
Pkt	Time (s)	Size	Source	Destination	Protocol	Info
50	37.514	68	10.7.52.33	10.8.180.230	UDP	Source port: 13953 Destination port: 1434(Ma
51	37.514	100	10.7.52.33	10.8.180.230	NBNS	Name query NBSTAT *<00><00><00><00><0
52	37.514	89	10.7.52.33	10.8.180.230	DNS	Standard query TXT porttest.dns-oarc.net
53	37.514	85	10.7.52.33	10.8.180.230	DNS	Standard query A www.wikipedia.org
54	37.514	89	10.7.52.33	10.8.180.230	DNS	Standard query TXT bidtest.dns-oarc.net
55	37.514	261	10.8.180.230	10.7.52.33	NBNS	Name query response NBSTAT
56	37.514	117	10.8.180.230	10.7.52.33	ICMP	Destination unreachable (Port unreachable)
57	37.514	113	10.8.180.230	10.7.52.33	ICMP	Destination unreachable (Port unreachable)
58	37.514	117	10.8.180.230	10.7.52.33	ICMP	Destination unreachable (Port unreachable)
59	37.514	170	10.8.180.230	10.7.52.33	UDP	Source port: 1434 Destination port: 13953

Below the table, there is a detailed view of the selected packet (Packet 59) showing the following layers:

- ETH**: Ethernet II, Src: 00:23:ac:64:73:c3 (00:23:ac:64:73:c3), Dst: 00:50:56:87:43:d3 (00:50:56:87:43:d3)
- VLAN**: 802.1Q Virtual LAN, PRI: 0, CFI: 0, ID: 180
- IP**: Internet Protocol, Src: 10.7.52.33 (10.7.52.33), Dst: 10.8.180.230 (10.8.180.230)
- UDP**: User Datagram Protocol, Src Port: 13947 (13947), Dst Port: 1718 (1718)
- UDP**: Source port: 13947 (13947)
- UDP**: Destination port: 1718 (1718)
- UDP**: Length: 68
- UDP**: Checksum: 0x7d45 [correct]
- UDP**: [Good Checksum: True]
- UDP**: [Bad Checksum: False]
- H225**: H.225.0 RAS

226648

Figure 3-20 Application Response Time Data Collected On N1KV VEM Uplink



CLSA-VMDC (Cloud Service Assurance for VMDC)

Based on the Zenoss Cloud Service Assurance solution, CLSA-VMDC provides a service-impact model-based system providing tenant-based service assurance, including consolidated monitoring of the VMDC infrastructure and simple, easily-deployed plug-ins for customization. The system offers real time aggregated dashboards as well as reporting capabilities. It can be deployed both in centralized and distributed architecture, and allows for incremental deployment growth. While it offers rich functionality for IaaS domains, the solution is lightweight and has open interfaces to allow for simple integration into existing Operations Support System (OSS) and ticketing systems with minimal cost. As such, this solution is positioned not as a replacement, but as a complement to existing Manager-of-Manager (MOM) systems (for example, IBM Netcool), ticketing systems (for example, BMC Remedy), and so on. Additional documentation can be found on Design Zone at [Data Center and Cloud Service Assurance](#).