



Cisco MDS 9000 Series NX-OS System Management Configuration Guide

First Published: 2017-04-27

Americas Headquarters

Cisco Systems, Inc.
170 West Tasman Drive
San Jose, CA 95134-1706
USA
<http://www.cisco.com>
Tel: 408 526-4000
800 553-NETS (6387)
Fax: 408 527-0883



CONTENTS

PREFACE

Preface	xxi
Audience	xxi
Document Conventions	xxi
Related Documentation	xxii
Communications, Services, and Additional Information	xxii

CHAPTER 1

New and Changed Information	1
Change Summary	1

CHAPTER 2

System Management Overview	3
Cisco Fabric Services	3
System Messages	3
Call Home	4
Scheduler	4
System Processes and Logs	4
Embedded Event Manager	4
SNMP	5
RMON	5
Pathtrace	5
Domain Parameters	5
SPAN	5
Fabric Configuration Server	6

CHAPTER 3

Using the CFS Infrastructure	7
Information About CFS	7
Cisco MDS NX-OS Features Using CFS	7

CFS Features	8
Enabling CFS for an Application	8
CFS Protocol	9
CFS Distribution Scopes	9
CFS Distribution Modes	9
Uncoordinated Distribution	9
Coordinated Distribution	9
Unrestricted Uncoordinated Distributions	10
CFS Connectivity in a Mixed Fabric	10
Locking the Fabric	10
Committing Changes	11
CFS Merge Support	11
CFS Distribution over IP	11
Static IP Peers for CFS	13
About CFS Regions	13
Guidelines and Limitations	14
Default Settings	14
Configuring CFS	15
Disabling CFS Distribution on a Switch	15
Committing Changes	16
Discarding Changes	16
Saving the Configuration	16
Clearing a Locked Session	16
Enabling CFS over IP	17
Enabling or Disabling CFS over IPv4	17
Enabling or Disabling CFS Over IPv6	17
Configuring IP Multicast Address for CFS over IP	17
Configuring IP Multicast Address for CFS over IPv4	18
Configuring IP Multicast Address for CFS over IPv6	18
Configuring Static IP Peers for CFS	19
Configuring CFS Regions	20
Creating CFS Regions	20
Assigning Applications to CFS Regions	20
Moving an Application to a Different CFS Region	21

Removing an Application from a Region	21
Deleting CFS Regions	22
Verifying CFS Configurations	22
Verifying CFS Distribution Status	23
Verifying Application Registration Status	23
Verifying CFS Lock Status	24
Verifying the CFS over IP Configuration	24
Verifying IP Multicast Address Configuration for CFS over IP	25
Verifying Static IP Peer Configuration	25
Verifying CFS Regions	25
Additional References	26

CHAPTER 4
Configuring System Message Logging 27

Information About System Message Logging	27
System Message Logging	30
SFP Diagnostics	30
Outgoing System Message Logging Server Facilities	30
System Message Logging Configuration Distribution	31
Fabric Lock Override	32
Guidelines and Limitations	32
Default Settings	32
Configuring System Message Logging	33
Task Flow for Configuring System Message Logging	33
Enabling or Disabling Message Logging	33
Configuring Console Severity Level	34
Configuring Monitor Severity Level	34
Configuring Module Logging	35
Configuring Facility Severity Levels	35
Sending Log Files	36
Configuring System Message Logging Servers	37
Configuring System Message Logging Server IPv4 Addresses	37
Configuring System Message Logging Server IPv6 Addresses	38
Configuring System Message Logging Distribution	38
Committing Changes	39

Discarding Changes	39
Fabric Lock Override	39
Displaying System Message Logging Information	39
Additional References	45

CHAPTER 5**Configuring Call Home 47**

Information About Call Home	47
Call Home Features	48
About Smart Call Home	49
Obtaining Smart Call Home	50
Call Home Destination Profiles	50
Call Home Alert Groups	50
Customized Alert Group Messages	51
Call Home Message Level Feature	51
Syslog-Based Alerts	51
RMON-Based Alerts	52
General E-Mail Options Using HTTPS Support	52
Multiple SMTP Server Support	52
Periodic Inventory Notification	53
Duplicate Message Throttle	53
Call Home Configuration Distribution	53
Fabric Lock Override	53
Clearing Call Home Name Server Database	54
EMC E-mail Home Delayed Traps	54
Event Triggers	54
Call Home Message Levels	56
Message Contents	58
Guidelines and Limitations	66
Call Home Database Merger Guidelines	66
Call Home Configuration Guidelines	67
Default Settings	67
Configuring Call Home	68
Task Flow for Configuring Call Home	68
Configuring Contact Information	68

Configuring Contact Information Using DCNM-SAN	69
Enabling Call Home Function	70
Enabling Call Home Function Using DCNM-SAN	71
Configuring a Destination Profile	71
Configuring a Predefined Destination Profile Using DCNM-SAN	73
Configuring a New Destination Profile	73
Configuring a New Destination Profile Using DCNM-SAN	74
Associating an Alert Group with a Destination Profile	74
Associating Alert Group Using DCNM-SAN	76
Customizing Alert Group Messages	76
Configuring Scripts for Call Home Alerts	77
Examples for Configuring Scripts for Call Home Alerts	78
Customizing Alert Group Messages Using DCNM-SAN	78
Setting the Call Home Message Levels	79
Configuring the Syslog-Based Alerts	79
Configuring the Syslog-Based Alerts Using DCNM-SAN	80
Configuring RMON Alerts	81
Configuring RMON Alerts Using DCNM-SAN	81
Configuring Event Trap Notifications	81
Configuring General E-Mail Options	82
Configuring General E-Mail Options Using DCNM-SAN	82
Configuring HTTPS Support	83
Enable or Disable Transport Method	83
Configuring an HTTP Proxy Server	84
Configuring an HTTP Proxy Server Using DCNM-SAN	85
Configuring Call Home Wizard	85
Task Flow for Configuring Call Home Wizard	85
Launching Call Home Wizard	86
Configuring SMTP Server and Ports	87
Configuring Multiple SMTP Server Support	87
Enabling Periodic Inventory Notifications	88
Enabling Periodic Inventory Notifications Using DCNM-SAN	89
Configuring Duplicate Message Throttle	89
Configuring Duplicate Message Throttle Using DCNM-SAN	90

Enabling Call Home Fabric Distribution	90
Committing the Call Home Configuration Changes	91
Discarding the Call Home Configuration Changes	91
Enabling Call Home Fabric Distribution Using DCNM-SAN	91
Fabric Lock Override	92
Call Home Communications Test	92
Call Home Communications Test Using DCNM-SAN	93
Configuring Delayed Traps	93
Enabling the Delayed Trap Feature	94
Enabling the Delayed Trap Feature Using DCNM-SAN	94
Enabling Delayed Traps Using Cisco Device Manager	94
Viewing Event Filter Notification	95
Verifying Call Home Configuration	95
Displaying Call Home Information	95
Displaying Delayed Trap Information	99
Verifying Alert Group Customization	99
Verifying Event Notification Trap	99
Verifying Call Home Transport	100
Monitoring Call Home	100
Sample Syslog Alert Notification in Full-txt Format	100
Sample Syslog Alert Notification in XML Format	101
Sample RMON Notification in XML Format	104
Field Descriptions for Call Home	105
Call Home General	105
Call Home Destinations	106
Call Home SMTP Servers	106
Call Home E-mail Setup	106
Call Home Alerts	107
Call Home User Defined Command	107
Delayed Traps	107
Call Home Profiles	107
Event Destinations Addresses	108
Event Destinations Security (Advanced)	108
Event Filters General	108

Event Filters Interfaces	110
Event Filters Control	110
Additional References	110
Feature History for Call Home	110

CHAPTER 6
Scheduling Maintenance Jobs 113

Information About the Command Scheduler	113
Scheduler Terminology	113
Licensing Requirements for Command Scheduler	114
Guidelines and Limitations	114
Default Settings	114
Configuring the Command Scheduler	115
Task Flow for Configuring the Command Scheduler	115
Enabling the Command Scheduler	115
Examples	116
Configuring Remote User Authentication	116
Defining a Job	117
Deleting a Job	118
Specifying a Schedule	118
Examples	119
Specifying a One-Time Schedule	120
Deleting a Schedule	121
Removing an Assigned Job	121
Deleting a Schedule Time	121
Configuring Execution Logs	122
Clearing the Execution Log File Contents	122
Verifying Scheduler Configuration	122
Verifying the Command Scheduler Configuration	123
Verifying the Command Scheduler Execution Status	123
Verifying the Job Definition	123
Displaying Execution Log File Contents	124
Clearing the Execution Log File Contents	124
Configuration Examples for Scheduler	125

CHAPTER 7	Monitoring System Processes and Logs	127
	Information About System Processes and Logs	127
	Saving Cores	127
	Saving the Last Core to Bootflash	127
	First and Last Core	128
	Online System Health Management	128
	Loopback Test Configuration Frequency	129
	Loopback Test Configuration Frame Length	129
	Hardware Failure Action	129
	Performing Test Run Requirements	129
	Tests for a Specified Module	130
	Clearing Previous Error Reports	130
	Interpreting the Current Status	130
	On-Board Failure Logging	131
	Default Settings	132
	Core and Log Files	132
	Saving Cores	132
	Copying Files Periodically	133
	Examples	133
	Clearing the Core Directory	134
	Configuring System Health	134
	Task Flow for Configuring System Health	134
	Enabling System Health Initiation	134
	Configuring Loopback Test Configuration Frequency	135
	Configuring Loopback Test Configuration Frame Length	135
	Configuring Hardware Failure Action	136
	Performing Test Run Requirements	137
	Clearing Previous Error Reports	137
	Performing Internal Loopback Tests	138
	Performing External Loopback Tests	139
	Performing Serdes Loopbacks	140
	Configuring On-Board Failure Logging	140
	Configuring OBFL for the Switch	141

Configuring OBFL for a Module	141
Clearing the Module Counters	142
Resetting Counters for All Modules	143
Verifying System Processes and Logs Configuration	143
Displaying System Processes	144
Displaying System Status	146
Displaying Core Status	148
Verifying First and Last Core Status	150
Displaying System Health	150
Verifying Loopback Test Configuration Frame Length	153
Displaying OBFL for the Switch	153
Displaying the OBFL for a Module	154
Displaying OBFL Logs	154
Displaying the Module Counters Information	155
Configuring Alerts, Notifications, and Monitoring of Counters	155
Monitoring the CPU Utilization	155
Obtaining RAM Usage Information	155
Monitoring Rx and Tx Traffic Counters	156
Monitoring Status of Interfaces	156
Monitoring Transceiver Thresholds	156
Configuring Supervisor Switchover Notification	157
Configuring a Counter to Include CRC and FCS Errors	158
Configuring Call Home for Alerts	158
Monitoring User Authentication Failures	158
Additional References	159
Feature History for System Processes and Logs	159

CHAPTER 8
About Embedded Event Manager 161

Feature History for EEM	161
Information About EEM	161
EEM Overview	162
Policies	162
Event Statements	164
Action Statements	164

- VSH Script Policies 165
- Environment Variables 165
- EEM Event Correlation 166
- High Availability 166
- Licensing Requirements for EEM 166
- Prerequisites for EEM 166
- Guidelines and Limitations 166
- Default Settings 167
- Configuring Embedded Event Manager 167
 - Defining a User Policy Using the CLI 167
 - Configuring Event Statements 168
 - Configuring Action Statements 171
 - Defining a Policy Using a VSH Script 174
 - Registering and Activating a VSH Script Policy 175
 - Overriding a Policy 175
 - Defining an Environment Variable 176
- Verifying the EEM Configuration 177
- Configuration Examples for EEM 177
- Additional References 178

CHAPTER 9

Configuring RMON 179

- Information About RMON 179
 - RMON Configuration Information 179
 - RMON Configuration Using Threshold Manager 180
 - RMON Alarm Configuration Information 180
- Default Settings 181
- Configuring RMON 181
 - Configuring the RMON Traps in SNMP 181
 - Configuring the RMON Alarm 182
 - Configuring the RMON Event 182
- Verifying the RMON Configuration 183
- Additional References 184
- Feature History for RMON 184

CHAPTER 10	Configuring Online Diagnostics	185
	Information About Online Diagnostics	185
	Online Diagnostic Overview	185
	Bootup Diagnostics	186
	Health Monitoring Diagnostics	187
	On-Demand Diagnostics	189
	Recovery Actions on Specified Health Monitoring Diagnostics	190
	Corrective (recovery) Action for Supervisor	191
	Corrective (Recovery) Action for Cisco MDS 48-Port 16-Gbps Fibre Channel Module	191
	Corrective (Recovery) Action for Cisco MDS 48-Port 10-Gbps FCoE Module	191
	High Availability	192
	Licensing Requirements for Online Diagnostics	192
	Default Settings	192
	Configuring Online Diagnostics	193
	Setting the Bootup Diagnostic Level	193
	Displaying the List of Available Tests	194
	Activating a Health Monitoring Diagnostic Test	194
	Deactivating a Health Monitoring Diagnostic Test	195
	Starting or Stopping an On-Demand Diagnostic Test	196
	Starting an On-Demand Diagnostic Test in On-demand Mode	197
	Clearing Diagnostic Results	198
	Simulating Diagnostic Results	198
	Enabling Corrective (Recovery) Actions	199
	Verifying the Online Diagnostics	199
	Configuration Examples for Online Diagnostics	200
	Additional References	200
CHAPTER 11	Configuring Interswitch Link Diagnostics	203
	Information About ISL Diagnostics	203
	ISL Diagnostic Overview	203
	Latency Test	204
	Single Hop Traffic Test	205
	Multihop End-to-End Traffic Test	206

Configuring ISL Diagnostics	206
Configuring Latency Test on Cisco MDS 9700 Series Switches	206
Configuring Latency Test on Other Supported Platforms	207
Configuring a Single Hop Traffic Test on Cisco MDS 9700 Series Switches	208
Configuring a Single Hop Traffic Test on Other Supported Platforms	210
Configuring a Multihop Traffic Test on Cisco MDS 9700 Series Switches	211
Configuring a Multihop Traffic Test on Other Supported Platforms	214
Debugging ISL Diagnostics	216
Additional References	217

CHAPTER 12**Using Pathtrace 219**

Pathtrace	219
Guidelines and Limitations for Pathtrace	219
Using Pathtrace or Pathtrace Multipath	220

CHAPTER 13**Configuring SNMP 225**

Information About SNMP Security	225
SNMP Version 1 and Version 2c	226
SNMP Version 3	226
SNMPv3 CLI User Management and AAA Integration	227
CLI and SNMP User Synchronization	227
AAA Exclusive Behavior in SNMPv3 Servers	227
Restricting Switch Access	228
Group-Based SNMP Access	228
Creating and Modifying Users	228
AES Encryption-Based Privacy	229
Traps, Notifications, and Informs	229
EngineID	229
LinkUp/LinkDown Notifications for Switches	230
Scope of LinkUp and LinkDown Trap Settings	230
Default Settings	231
Configuring SNMP	231
Assigning SNMP Switch Contact and Location Informations	231
Configuring SNMP Users from the CLI	232

Creating or Modifying Passwords	233
Enforcing SNMPv3 Message Encryption	233
Enforcing SMNPv3 Message Encryption Globally	234
Assigning SNMPv3 Users to Multiple Roles	234
Adding Communities	235
Configuring SNMP Trap and Inform Notifications	235
Configuring SNMPv2c Notifications	236
Configuring SNMPv2c Notifications using IPv4	236
Configuring SNMPv2c Notifications using IPv6	236
Configuring SNMPv2c Notifications using DNS Name	237
Configuring SNMPv3 Notifications	237
Configuring SNMPv3 Notifications using IPv4	237
Configuring SNMPv3 Notifications using IPv6	238
Configuring SNMPv3 Notifications using DNS Name	239
Authenticating SNMPv3 Users Based on Location	239
Enabling SNMP Notifications	240
Configuring the Notification Target User	242
Configuring LinkUp/LinkDown Notifications for Switches	242
Configuring Up/Down SNMP Link-State Traps for Interfaces	244
Configuring Entity (FRU) Traps	244
Modifying the AAA Synchronization Time	245
Verifying SNMP Configuration	246
Viewing the Up/Down SNMP Link-State Traps for Interfaces	246
Displaying SNMP Traps	247
Displaying SNMP Security Information	248
Additional References	250

CHAPTER 14**Configuring Domain Parameters 253**

Information About Fibre Channel Domains	253
Domain Restart	254
Domain Manager All Optimization	255
Domain Manager Fast Restart	255
Domain Manager Scale Restart	255
Domain Manager Selective Restart	256

Switch Priority	256
fcdomain Initiation	256
Incoming RCFs	256
Autoreconfiguring Merged Fabrics	256
Domain IDs	257
Specifying Static or Preferred Domain IDs	259
Allowed Domain ID Lists	259
CFS Distribution of Allowed Domain ID Lists	259
Contiguous Domain ID Assignments	260
Locking the Fabric	260
Committing Changes	260
Clearing a Fabric Lock	260
FC IDs	261
Persistent FC IDs	261
Persistent FC ID Configuration	261
About Unique Area FC IDs for HBAs	262
Persistent FC ID Selective Purging	262
Guidelines and Limitations	262
Default Settings	262
Configuring Fibre Channel Domains	263
Restarting a Domain	263
Enabling Domain Manager All Optimization	264
Enabling Domain Manager Fast Restart	264
Enabling Domain Manager Scale Restart	265
Enabling Domain Manager Selective Restart	265
Configuring Switch Priority	266
Configuring Fabric Names	266
Rejecting Incoming RCFs	267
Enabling Autoreconfiguration	267
Configuring Domain IDs	267
Specifying Static or Preferred Domain IDs	268
Configuring Allowed Domain ID Lists	268
Enabling Allowed Domain ID Distribution	269
Committing Changes	270

Discarding Changes	270
Enabling Contiguous Domain ID Assignments	270
Configuring FC IDs	271
Enabling the Persistent FC ID Feature	271
Configuring Persistent FC IDs	272
Configuring Unique Area FC IDs for an HBA	272
Purging Persistent FC IDs	274
Clearing a Fabric Lock	274
Verifying FC Domain Configuration	275
Displaying CFS Distribution Status	275
Displaying Pending Changes	275
Displaying Session Status	276
Displaying fcdomain Information	276
CHAPTER 15	Monitoring Network Traffic Using SPAN
	281
Information About SPAN	281
SPAN Sources	282
IPS Source Ports	282
Allowed Source Interface Types	283
VSAN as a Source	283
SPAN Sessions	283
Specifying Filters	284
SD Port Characteristics	284
SPAN Conversion Behavior	284
Monitoring Traffic Using Fibre Channel Analyzers	286
Monitoring Without SPAN	286
Monitoring with SPAN	287
Single SD Port to Monitor Traffic	288
SD Port Configuration	289
Mapping the FC Tunnel	289
Creating VSAN Interfaces	290
Remote SPAN	290
Advantages of Using RSPAN	291
FC and RSPAN Tunnels	291

ST Port Configuration	292
ST Port Characteristics	292
Creating Explicit Paths	293
Guidelines and Limitations	293
Cisco MDS 9700 Series Switches Guidelines	293
SPAN Configuration Guidelines	293
Guidelines to Configure VSANs as a Source	294
Guidelines to Specifying Filters	295
RSPAN Configuration Guidelines	295
Default SPAN and RSPAN Settings	296
Configuring SPAN	296
Configuring SD Ports for SPAN	297
Configuring SD Port for SPAN Monitoring	297
Configuring SPAN Session	297
Configuring SPAN Filter	299
Configuring SPAN for Generation 2 Fabric Switches	299
Configuring Ingress SPAN Sessions	299
Configuring Egress SPAN Session	300
Examples	300
Suspending and Reactivating SPAN Sessions	301
Encapsulating Frames	301
Configuring Fibre Channel Analyzers Using SPAN	302
303	
Configuring Single SD Port to Monitor Traffic	303
Configuring the Source Switch	303
Creating VSAN Interfaces	304
Enabling FC Tunnels	304
Initiating the FC Tunnel	305
Configuring the ST Port	305
Configuring an RSPAN Session	306
Configuring All Intermediate Switches	306
Configuring VSAN Interfaces	306
Enabling IP Routing	307
Configuring the Destination Switch	307

Configuring VSAN Interfaces	307
Configuring the SD Port	308
Mapping the FC Tunnel	308
Creating Explicit Paths	308
Referencing the Explicit Path	310
Monitoring RSPAN Traffic	310
Verifying SPAN Configuration	310
Displaying SPAN Information	311
Displaying RSPAN Information	313
Configuration Examples for RSPAN	315
Single Source with One RSPAN Tunnel	315
Single Source with Multiple RSPAN Tunnels	316
Multiple Sources with Multiple RSPAN Tunnels	316

CHAPTER 16
Configuring Fabric Configuration Server 319

Information About FCS	319
Significance of FCS	320
Default Settings	321
Configuring FCS	321
Specifying a FCS Name	321
Registering Platform Attributes	321
Verifying FCS Configuration	323
Displaying FCS Elements	323
Additional References	326

CHAPTER 17
Configuring Port Pacing 329

Information About Port Pacing	329
Guidelines and Limitations	329
Configuring Port Pacer	330
Enabling Port Pacing	330
Disabling the Port Pacing Configuration	330



Preface

This preface describes the audience, organization of, and conventions used in the Cisco MDS 9000 Series Configuration Guides. It also provides information on how to obtain related documentation, and contains the following chapters:

- [Audience, on page xxi](#)
- [Document Conventions, on page xxi](#)
- [Related Documentation, on page xxii](#)
- [Communications, Services, and Additional Information, on page xxii](#)

Audience

To use this installation guide, you need to be familiar with electronic circuitry and wiring practices, and preferably be an electronic or electromechanical technician.

Document Conventions

This document uses the following conventions:



Note Means *reader take note*. Notes contain helpful suggestions or references to material not covered in the manual.



Caution Means *reader be careful*. In this situation, you might do something that could result in equipment damage or loss of data.

Warnings use the following conventions:



Warning This warning symbol means danger. You are in a situation that could cause bodily injury. Before you work on any equipment, be aware of the hazards involved with electrical circuitry and be familiar with standard practices for preventing accidents. Use the statement number provided at the end of each warning to locate its translation in the translated safety warnings that accompanied this device. Statement 1071.

Related Documentation

The documentation set for the Cisco MDS 9000 Series Switches includes the following documents.

Release Notes

<http://www.cisco.com/c/en/us/support/storage-networking/mds-9000-nx-os-san-os-software/products-release-notes-list.html>

Regulatory Compliance and Safety Information

<http://www.cisco.com/c/en/us/td/docs/switches/datacenter/mds9000/hw/regulatory/compliance/RCSI.html>

Compatibility Information

<http://www.cisco.com/c/en/us/support/storage-networking/mds-9000-nx-os-san-os-software/products-device-support-tables-list.html>

Installation and Upgrade

<http://www.cisco.com/c/en/us/support/storage-networking/mds-9000-nx-os-san-os-software/products-installation-guides-list.html>

Configuration

<http://www.cisco.com/c/en/us/support/storage-networking/mds-9000-nx-os-san-os-software/products-installation-and-configuration-guides-list.html>

CLI

<http://www.cisco.com/c/en/us/support/storage-networking/mds-9000-nx-os-san-os-software/products-command-reference-list.html>

Troubleshooting and Reference

<http://www.cisco.com/c/en/us/support/storage-networking/mds-9000-nx-os-san-os-software/tsd-products-support-troubleshoot-and-alerts.html>

To find a document online, use the Cisco MDS NX-OS Documentation Locator at:

http://www.cisco.com/c/en/us/td/docs/storage/san_switches/mds9000/roadmaps/doclocator.html

Communications, Services, and Additional Information

- To receive timely, relevant information from Cisco, sign up at [Cisco Profile Manager](#).
- To get the business impact you're looking for with the technologies that matter, visit [Cisco Services](#).
- To submit a service request, visit [Cisco Support](#).
- To discover and browse secure, validated enterprise-class apps, products, solutions and services, visit [Cisco Marketplace](#).
- To obtain general networking, training, and certification titles, visit [Cisco Press](#).
- To find warranty information for a specific product or product family, access [Cisco Warranty Finder](#).

Cisco Bug Search Tool

[Cisco Bug Search Tool](#) (BST) is a web-based tool that acts as a gateway to the Cisco bug tracking system that maintains a comprehensive list of defects and vulnerabilities in Cisco products and software. BST provides you with detailed defect information about your products and software.



CHAPTER 1

New and Changed Information

This chapter contains the following sections:

- [Change Summary, on page 1](#)

Change Summary

Table 1: New and Changed Features

Feature	New or Changed Topics	Changed in Release	Where Documented
ISL Diagnostics	This feature introduces commands to test the health of interswitch links.	7.3(0)D1(1)	Configuring Interswitch Link Diagnostics, on page 203
Configuring Scripts for Call Home Alerts	This feature allows you to map a script to the Call Home alert type that should trigger the alert.	7.3(1)DY(1)	Configuring Call Home, on page 47



CHAPTER 2

System Management Overview

You can use the system management features to monitor and manage a switch using Cisco MDS NX-OS software. These features include Call Home, SNMP, RMON, SPAN, and the Embedded Event Manager (EEM).

- [Cisco Fabric Services, on page 3](#)
- [System Messages, on page 3](#)
- [Call Home, on page 4](#)
- [Scheduler, on page 4](#)
- [System Processes and Logs, on page 4](#)
- [Embedded Event Manager, on page 4](#)
- [SNMP, on page 5](#)
- [RMON, on page 5](#)
- [Pathtrace, on page 5](#)
- [Domain Parameters, on page 5](#)
- [SPAN, on page 5](#)
- [Fabric Configuration Server, on page 6](#)

Cisco Fabric Services

The Cisco MDS NX-OS software uses the Cisco Fabric Services (CFS) infrastructure to enable efficient database distribution and to promote device flexibility. CFS simplifies SAN provisioning by automatically distributing configuration information to all switches in a fabric.

For information on configuring CFS, see [Using the CFS Infrastructure, on page 7](#).

System Messages

System messages are monitored remotely by accessing the switch through Telnet, SSH, or the console port, or by viewing the logs on a system message logging server. Log messages are not saved across system reboots.

For information about configuring system messages, see [Configuring System Message Logging, on page 27](#).

Call Home

Call Home provides e-mail-based notification of critical system events. A versatile range of message formats are available for optimal compatibility with pager services, standard e-mail, or XML-based automated parsing applications. Common uses of this feature may include direct paging of a network support engineer, e-mail notification to a Network Operations Center, and utilization of Cisco Smart Call Home services for direct case generation with the Technical Assistance Center.

For information about configuring Call Home, see .

Scheduler

The Cisco MDS command scheduler feature helps you schedule configuration and maintenance jobs in any switch in the Cisco MDS 9000 Family switches. You can use this feature to schedule jobs on a one-time basis or periodically. The Cisco NX-OS command scheduler provides a facility to schedule a job (set of CLI commands) or multiple jobs at a specified time in the future. The jobs can be executed once at a specified time in the future or at periodic intervals.

For information on configuring the Cisco MDS command scheduler feature, see [Scheduling Maintenance Jobs, on page 113](#).

System Processes and Logs

The health of a switch can be monitored by various system processes and logs. The Online Health Management System (system health) is a hardware fault detection and recovery feature. This Health Management System ensures the general health of switching, services, and supervisor modules in any switch in the Cisco MDS 9000 Family.

For information on monitoring the health of the switch, see [Monitoring System Processes and Logs, on page 127](#).

Embedded Event Manager

Embedded Event Manager (EEM) monitors events that occur on your device and takes action to recover or troubleshoot these events, based on your configuration. EEM consists of three major components:

- Event statements—Events to monitor from another Cisco NX-OS component that may require some action, workaround, or notification.
- Action statements —An action that EEM can take, such as sending an e-mail or disabling an interface, to recover from an event.
- Policies—An event paired with one or more actions to troubleshoot or recover from the event.

For information on configuring EEM, see [About Embedded Event Manager, on page 161](#).

SNMP

Simple Network Management Protocol (SNMP) is an application layer protocol that facilitates the exchange of management information between network devices. In all Cisco MDS 9000 Family switches, three SNMP versions are available: SNMPv1, SNMPv2c, and SNMPv3. The CLI and SNMP use common roles in all switches in the Cisco MDS 9000 Family. You can use SNMP to modify a role that was created using the CLI and vice versa.

Users, passwords, and roles for all CLI and SNMP users are the same. A user configured through the CLI can access the switch using SNMP (for example, the DCNM-SAN or the Device Manager) and vice versa.

For information on configuring SNMP, see [Configuring SNMP, on page 225](#).

RMON

RMON is an Internet Engineering Task Force (IETF) standard monitoring specification that allows various network agents and console systems to exchange network monitoring data. You can use the RMON alarms and events to monitor Cisco MDS 9000 Family switches running the Cisco SAN-OS Release 2.0(1b) or later or Cisco Release NX-OS 4.1(3) or later software.

For information on configuring RMON, see [Configuring RMON, on page 179](#).

Pathtrace

The Pathtrace feature builds on the Traceroute feature to provide information about interfaces, such as ingress and egress interface names and the number of transmitted and received frames and errors, at each hop in the path between 2 devices in a fabric. Pathtrace provides an end-to-end view of the shortest path without the need to connect to individual switches and check the Fabric Shortest Path First (FSPF) topology hop by hop.

For information on using the Pathtrace feature, see [Using Pathtrace, on page 219](#).

Domain Parameters

The Fibre Channel domain (fcdomain) feature performs principal switch selection, domain ID distribution, FC ID allocation, and fabric reconfiguration functions as described in the FC-SW-2 standards. The domains are configured on a per-VSAN basis. If you do not configure a domain ID, the local switch uses a random ID.

For information on configuring the Fibre Channel domain feature, see [Configuring Domain Parameters, on page 253](#).

SPAN

The Switched Port Analyzer (SPAN) feature is specific to switches in the Cisco MDS 9000 Family. It monitors network traffic through a Fibre Channel interface. Traffic through any Fibre Channel interface can be replicated to a special port called the SPAN destination port (SD port). Any Fibre Channel port in a switch can be

configured as an SD port. Once an interface is in SD port mode, it cannot be used for normal data traffic. You can attach a Fibre Channel analyzer to the SD port to monitor SPAN traffic.

For information on SPAN feature, see [Monitoring Network Traffic Using SPAN, on page 281](#).

Fabric Configuration Server

The Fabric Configuration Server (FCS) provides discovery of topology attributes and maintains a repository of configuration information of fabric elements. A management application is usually connected to the FCS on the switch through an N port. In the Cisco MDS 9000 Family switch environment, multiple VSANs constitute a fabric, where one instance of the FCS is present per VSAN.

For information on configuring FCS, see [Configuring Fabric Configuration Server, on page 319](#).



CHAPTER 3

Using the CFS Infrastructure

Cisco Fabric Services (CFS) provides a common infrastructure for automatic configuration synchronization in the fabric. It provides the transport function as well as a rich set of common services to the applications. CFS has the ability to discover CFS-capable switches in the fabric and discover application capabilities in all CFS-capable switches.

- [Information About CFS, on page 7](#)
- [Guidelines and Limitations, on page 14](#)
- [Default Settings, on page 14](#)
- [Configuring CFS, on page 15](#)
- [Configuring CFS Regions, on page 20](#)
- [Verifying CFS Configurations, on page 22](#)
- [Additional References, on page 26](#)

Information About CFS

The Cisco MDS NX-OS software uses the Cisco Fabric Services (CFS) infrastructure to enable efficient database distribution and to foster device flexibility. It simplifies SAN provisioning by automatically distributing configuration information to all switches in a fabric.

Several Cisco MDS NX-OS applications use the CFS infrastructure to maintain and distribute the contents of a particular application's database.

Many features in the Cisco MDS switches require configuration synchronization in all switches in the fabric. Maintaining configuration synchronization across a fabric is important to maintain fabric consistency. In the absence of a common infrastructure, such synchronization is achieved through manual configuration at each switch in the fabric. This process is tedious and error prone.

Cisco MDS NX-OS Features Using CFS

The following Cisco NX-OS features use the CFS infrastructure:

- N Port Virtualization
- FlexAttach Virtual pWWN
- NTP
- Dynamic Port VSAN Membership
- Distributed Device Alias Services

- IVR topology
- SAN device virtualization
- TACACS+ and RADIUS
- User and administrator roles
- Port security
- iSNS
- Call Home
- Syslog
- fctimer
- SCSI flow services
- Saved startup configurations using the Fabric Startup Configuration Manager (FSCM)
- Allowed domain ID lists
- RSCN timer
- iSLB

CFS Features

CFS has the following features:

- Peer-to-peer protocol with no client-server relationship at the CFS layer.
- Three scopes of distribution.
 - Logical scope—The distribution occurs within the scope of a VSAN.
 - Physical scope—The distribution spans the entire physical topology.
 - Over a selected set of VSANs—Some applications, such as Inter-VSAN Routing (IVR), require configuration distribution over some specific VSANs. These applications can specify to CFS the set of VSANs over which to restrict the distribution.
- Three modes of distribution.
 - Coordinated distributions—Only one distribution is allowed in the fabric at any given time.
 - Uncoordinated distributions—Multiple parallel distributions are allowed in the fabric except when a coordinated distribution is in progress.
 - Unrestricted uncoordinated distributions—Multiple parallel distributions are allowed in the fabric in the presence of an existing coordinated distribution. Unrestricted uncoordinated distributions are allowed to run in parallel with all other types of distributions.
- Supports a merge protocol that facilitates the merge of application configuration during a fabric merge event (when two independent fabrics merge).

Enabling CFS for an Application

All CFS-based applications provide an option to enable or disable the distribution capabilities. Features that existed prior to Cisco SAN-OS Release 2.0(1b) have the distribution capability disabled by default and must have distribution capabilities enabled explicitly.

Applications introduced in Cisco SAN-OS Release 2.0(1b) or later, or MDS NX-OS Release 4.1(1) or later have the distribution enabled by default.

The application configuration is not distributed by CFS unless distribution is explicitly enabled for that application.

CFS Protocol

The CFS functionality is independent of the lower layer transport. Currently, in Cisco MDS switches, the CFS protocol layer resides on top of the Fiber Channel 2 (FC2) layer and is peer-to-peer with no client-server relationship. CFS uses the FC2 transport services to send information to other switches. CFS uses a proprietary SW_ILS (0x77434653) protocol for all CFS packets. CFS packets are sent to or from the switch domain controller addresses.

CFS can also use IP to send information to other switches.

Applications that use CFS are completely unaware of the lower layer transport.

CFS Distribution Scopes

Different applications on the Cisco MDS 9000 Family switches need to distribute the configuration at various levels:

- VSAN level (logical scope)

Applications that operate within the scope of a VSAN have the configuration distribution restricted to the VSAN. An example application is port security where the configuration database is applicable only within a VSAN.

- Physical topology level (physical scope)

Applications might need to distribute the configuration to the entire physical topology spanning several VSANs. Such applications include NTP and DPVM (WWN-based VSAN), which are independent of VSANs.

- Between selected switches

Applications might only operate between selected switches in the fabric. An example application is SCSI flow services, which operates between two switches.

CFS Distribution Modes

CFS supports different distribution modes to support different application requirements: coordinated and uncoordinated distributions. Both modes are mutually exclusive. Only one mode is allowed at any given time.

Uncoordinated Distribution

Uncoordinated distributions are used to distribute information that is not expected to conflict with that from a peer. An example is local device registrations such as iSNS. Parallel uncoordinated distributions are allowed for an application.

Coordinated Distribution

Coordinated distributions can have only one application distribution at a given time. CFS uses locks to enforce this. A coordinated distribution is not allowed to start if locks are taken for the application anywhere in the fabric. A coordinated distribution consists of three stages:

1. A fabric lock is acquired.
2. The configuration is distributed and committed.
3. The fabric lock is released.

Coordinated distribution has two variants:

- CFS driven —The stages are executed by CFS in response to an application request without intervention from the application.
- Application driven—The stages are under the complete control of the application.

Coordinated distributions are used to distribute information that can be manipulated and distributed from multiple switches, for example, the port security configuration.

Unrestricted Uncoordinated Distributions

Unrestricted uncoordinated distributions allow multiple parallel distributions in the fabric in the presence of an existing coordinated distribution. Unrestricted uncoordinated distributions are allowed to run in parallel with all other types of distributions.

CFS Connectivity in a Mixed Fabric

CFS is an infrastructure component that also runs on the Cisco Nexus 5000 Series switches and the Cisco MDS 9000 switches. A mixed fabric of different platforms (such as the Cisco Nexus 7000 Series, Cisco Nexus 5000 Series, and Cisco MDS 9000 switches) can interact with each other.

Using CFSoIP and CFSoFC, the respective CFS clients can also talk to their instances running on the other platforms. Within a defined domain and distribution scope, CFS can distribute the client's data and configuration to its peers running on other platforms.

All three platforms support both CFSoIP and CFSoFC. However, the Cisco Nexus 7000 Series and Cisco Nexus 5000 Series switches require an FC or FCoE plugin and corresponding configuration in order for CFSoFC to operate. Both options are available by default on the Cisco MDS 9000 switches.



Note Some applications are not compatible with their instances running on different platforms. Therefore, Cisco recommends that you carefully read the client guidelines for CFS distribution before committing the configuration.

For more information on CFS for the Cisco Nexus 5000 Series and Cisco MDS 9000 switches, see the Cisco Nexus 5000 Series NX-OS System Management Configuration Guide and the Cisco MDS 9000 Family NX-OS System Management Configuration Guide, respectively.

Locking the Fabric

When you configure (first time configuration) a Cisco NX-OS feature (or application) that uses the CFS infrastructure, that feature starts a CFS session and locks the fabric. When a fabric is locked, the Cisco NX-OS software does not allow any configuration changes from a switch to this Cisco NX-OS feature, other than the switch holding the lock, and issues a message to inform the user about the locked status. The configuration changes are held in a pending database by that application.

If you start a CFS session that requires a fabric lock but forget to end the session, an administrator can clear the session. If you lock a fabric at any time, your user name is remembered across restarts and switchovers. If another user (on the same machine) tries to perform configuration tasks, that user's attempts are rejected.

For information on verifying CFS lock status, refer to [Verifying CFS Lock Status, on page 24](#).

Committing Changes

A commit operation saves the pending database for all application peers and releases the lock for all switches.

In general, the commit function does not start a session; only a lock function starts a session. However, an empty commit is allowed if configuration changes are not previously made. In this case, a commit operation results in a session that acquires locks and distributes the current database.

When you commit configuration changes to a feature using the CFS infrastructure, you receive a notification about one of the following responses:

- One or more external switches report a successful status—The application applies the changes locally and releases the fabric lock.
- None of the external switches report a successful state—The application considers this state a failure and does not apply the changes to any switch in the fabric. The fabric lock is not released.



Note Once the **feature commit** is done the running configuration has been modified on all switches participating in the feature's distribution. You can then use the **copy running-config startup-config fabric** command to save the running-config to the startup-config on all the switches in the fabric.

CFS Merge Support

An application keeps the configuration synchronized in a fabric through CFS. Two such fabrics might merge as a result of an ISL coming up between them. These two fabrics could have two different sets of configuration information that need to be reconciled in the event of a merge. CFS provides notification each time an application peer comes online. If a fabric with M application peers merges with another fabric with N application peers and if an application triggers a merge action on every such notification, a link-up event results in M*N merges in the fabric.

CFS supports a protocol that reduces the number of merges required to one by handling the complexity of the merge at the CFS layer. This protocol runs per application per scope. The protocol involves selecting one switch in a fabric as the merge manager for that fabric. The other switches do not play any role in the merge process.

During a merge, the merge manager in the two fabrics exchange their configuration databases with each other. The application on one of them merges the information, decides if the merge is successful, and informs all switches in the combined fabric of the status of the merge.

In case of a successful merge, the merged database is distributed to all switches in the combined fabric and the entire new fabric remains in a consistent state.

CFS Distribution over IP

You can configure CFS to distribute information over IP for networks containing switches that are not reachable over Fibre Channel. CFS distribution over IP supports the following features:

- Physical distribution over an entirely IP network.
- Physical distribution over a hybrid Fibre Channel and IP network with the distribution reaching all switches that are reachable over either Fibre Channel or IP.



Note The switch attempts to distribute information over Fibre Channel first and then over the IP network if the first attempt over Fibre Channel fails. CFS does not send duplicate messages if distribution over both IP and Fibre Channel is enabled.

- Distribution over IP version 4 (IPv4) or IP version 6 (IPv6).



Note CFS cannot distribute over both IPv4 and IPv6 from the same switch.

- Keepalive mechanism to detect network topology changes using a configurable multicast address.
- Compatibility with Cisco MDS SAN-OS Release 2.x.
- Distribution for logical scope applications is not supported because the VSAN implementation is limited to Fibre Channel.

Figure 1: Network Example 1 with Fibre Channel and IP Connections, on page 12 shows a network with both Fibre Channel and IP connections. Node A forwards an event to node B over Fibre Channel. Node B forwards the event node C and node D using unicast IP. Node C forwards the event to node E using Fibre Channel.

Figure 1: Network Example 1 with Fibre Channel and IP Connections

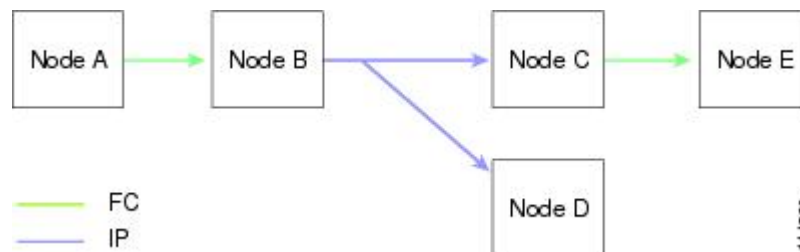


Figure 2: Network Example 2 with Fibre Channel and IP Connections, on page 12 is the same as Figure 1: Network Example 1 with Fibre Channel and IP Connections, on page 12 except that node D and node E are connected using Fibre Channel. All processes is the same in this example because node B has node C and node D the distribution list for IP. Node C does not forward to node D because node D is already in the distribution list from node B.

Figure 2: Network Example 2 with Fibre Channel and IP Connections

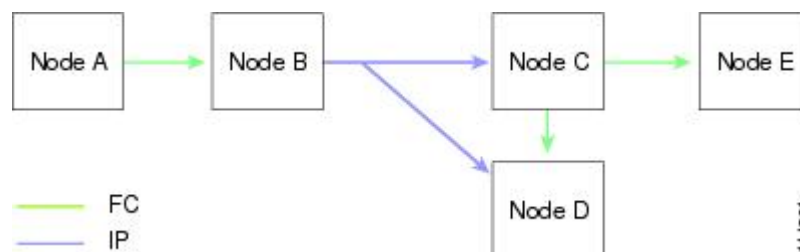
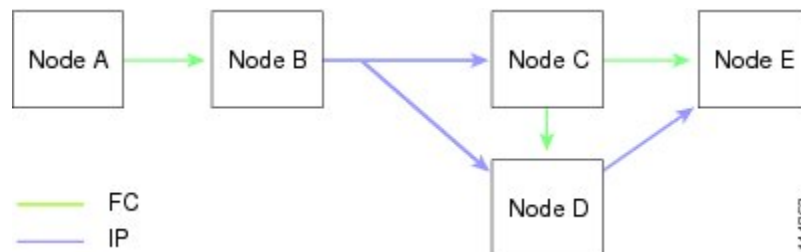


Figure 3: Network Example 3 with Fibre Channel and IP Connections, on page 13 is the same as Figure 2: Network Example 2 with Fibre Channel and IP Connections, on page 12 except that node D and node E are

connected using IP. Both node C and node D forward the event to E because the node E is not in the distribution list from node B.

Figure 3: Network Example 3 with Fibre Channel and IP Connections



Static IP Peers for CFS

CFS over IP can also be used with static IP peers. In this case, dynamic discovery over IP multicast is disabled and CFS distribution is done only on the peers configured statically.

CFS uses the list of configured IP addresses to communicate with each peer and learn the peer switch WWN. After learning the peer switch WWN, CFS marks the switch as CFS-capable and triggers application-level merging and database distribution.

Multicast forwarding is disabled by default in some devices. For example, the IBM Blade chassis has multicast forwarding disabled, especially on external Ethernet ports, and there is no method to enable it. N port virtualization devices use only IP as the transport medium and do not have ISL connectivity or a Fibre Channel domain. Such devices may benefit from using static IP peers for CFS.

The following MDS 9000 features require static IP peer configuration for CFS over IP distribution:

- N port virtualization devices have IP as the communication channel because NPV switches do not have FC domain. NPV devices use CFS over IP as the transport medium.
- FlexAttach virtual pWWN distribution on CFS region 201 that links only the NPV-enabled switches.

About CFS Regions

A CFS region is a user-defined subset of switches for a given feature or application in its physical distribution scope. When a SAN is spanned across a vast geography, you may need to localize or restrict the distribution of certain profiles among a set of switches based on their physical proximity. Before MDS SAN-OS Release 3.2.(1) the distribution scope of an application within a SAN was spanned across the entire physical fabric without the ability to confine or limit the distribution to a required set of switches in the fabric. CFS regions enables you to overcome this limitation by allowing you to create CFS regions, that is, multiple islands of distribution within the fabric, for a given CFS feature or application. CFS regions are designed to restrict the distribution of a feature's configuration to a specific set or grouping of switches in a fabric.



Note You can only configure a CFS region on physical switches in a SAN. You cannot configure a CFS region in a VSAN.

Example CFS Scenario: Call Home is an application that triggers alerts to Network Administrators when a situation arises or something abnormal occurs. When the fabric covers many geographies and with multiple Network Administrators who are each responsible for a subset of switches in the fabric, the Call Home

application sends alerts to all Network Administrators regardless of their location. For the Call Home application to send message alerts selectively to Network Administrators, the physical scope of the application has to be fine tuned or narrowed down, which is achieved by implementing CFS regions.

CFS regions are identified by numbers ranging from 0 through 200. Region 0 is reserved as the default region, and contains every switch in the fabric. You can configure regions from 1 through 200. The default region maintains backward compatibility. If there are switches on the same fabric running releases of SAN-OS before Release 3.2(1), only features in Region 0 are supported when those switches are synchronized. Features from other regions are ignored when those switches are synchronized.

If the feature is moved, that is, assigned to a new region, its scope is restricted to that region; it ignores all other regions for distribution or merging purposes. The assignment of the region to a feature has precedence in distribution over its initial physical scope.

You can configure a CFS region to distribute configurations for multiple features. However, on a given switch, you can configure only one CFS region at a time to distribute the configuration for a given feature. Once you assign a feature to a CFS region, its configuration cannot be distributed within another CFS region.

Guidelines and Limitations

All switches in the fabric must be CFS capable. A Cisco MDS 9000 Family switch is CFS capable if it is running Cisco SAN-OS Release 2.0(1b) or later, or MDS NX-OS Release 4.1(1) or later. Switches that are not CFS capable do not receive distributions and result in part of the fabric not receiving the intended distribution.

CFS has the following guidelines and limitations:

- **Implicit CFS usage**—The first time you issue a CFS task for a CFS-enabled application, the configuration modification process begins and the application locks the fabric.
- **Pending database**—The pending database is a temporary buffer to hold uncommitted information. The uncommitted changes are not applied immediately to ensure that the database is synchronized with the database in the other switches in the fabric. When you commit the changes, the pending database overwrites the configuration database (also known as the active database or the effective database).
- **CFS distribution enabled or disabled on a per-application basis**—The default (enable or disable) for CFS distribution state differs between applications. If CFS distribution is disabled for an application, then that application does not distribute any configuration nor does it accept a distribution from other switches in the fabric.
- **Explicit CFS commit**—Most applications require an explicit commit operation to copy the changes in the temporary buffer to the application database, to distribute the new database to the fabric, and to release the fabric lock. The changes in the temporary buffer are not applied if you do not perform the commit operation.

Default Settings

[Table 2: Default CFS Parameters](#), on page 14 lists the default settings for CFS configurations.

Table 2: Default CFS Parameters

Parameters	Default
CFS distribution on the switch	Enabled.

Parameters	Default
Database changes	Implicitly enabled with the first configuration change.
Application distribution	Differs based on application.
Commit	Explicit configuration is required.
CFS over IP	Disabled.
Static IP Peers for CFS	Disabled.
IPv4 multicast address	239.255.70.83
IPv6 multicast address	ff15:eff:4653

Configuring CFS

This section describes the configuration process.

Disabling CFS Distribution on a Switch

By default, CFS distribution is enabled. Applications can distribute data and configuration information to all CFS-capable switches in the fabric where the applications exist. This is the normal mode of operation.

You can globally disable CFS on a switch, including CFS over IP to isolate the applications using CFS from fabric-wide distributions while maintaining physical connectivity.



Note When CFS is globally disabled on a switch, CFS operations are restricted to the switch and all CFS commands continue to function as if the switch were physically isolated.

To globally disable or enable CFS distribution on a switch, follow these steps:

Procedure

-
- Step 1** switch# **configure terminal**
Enters configuration mode.
- Step 2** switch(config)# **no cfs distribute**
Globally disables CFS distribution for all applications on the switch, including CFS over IP.
- Step 3** switch(config)# **cfs distribute**
Enables (default) CFS distribution on the switch.
-

Committing Changes

You can commit changes for a specified feature by entering the **commit** command for that feature.

Discarding Changes

If you discard configuration changes, the application flushes the pending database and releases locks in the fabric. Both the abort and commit functions are only supported from the switch from which the fabric lock is acquired.

You can discard changes for a specified feature by using the **abort** command for that feature.

Saving the Configuration

Configuration changes that have not been applied yet (still in the pending database) are not shown in the running configuration. The configuration changes in the pending database overwrite the configuration in the effective database when you commit the changes.



Caution

If you do not commit the changes, they are not saved to the running configuration.

The CISCO-CFS-MIB contains SNMP configuration information for any CFS-related functions. Refer to the *Cisco MDS 9000 Family MIB Quick Reference* for more information on this MIB.

Clearing a Locked Session

You can clear locks held by an application from any switch in the fabric. This option is provided to rescue you from situations where locks are acquired and not released.

To clear the CFS locks, follow these steps:

Procedure

-
- Step 1** switch# **configure terminal**
Enters configuration mode.
- Step 2** switch(config)# **dpvm abort**
Aborts the configuration from the switch where the configuration lock was acquired previously. This method clears the CFS locks in the entire fabric.
Clears the CFS locks for the DPVM application in the entire fabric.
- Step 3** switch(config)# **clear dpvm session**
Clears the sessions from any switch in the fabric.
Clears the CFS locks for the DPVM application.
-

Enabling CFS over IP

Enabling or Disabling CFS over IPv4

To enable or disable CFS over IPv4, follow these steps:

Procedure

Step 1 switch# **configure terminal**

Enters configuration mode.

Step 2 switch(config)# **cfs ipv4 distribute**

Globally enables CFS over IPv4 for all applications on the switch.

Step 3 switch(config)# **no cfs ipv4 distribute**

This will prevent CFS from distributing over IPv4 network.
Are you sure? (y/n) [n] **y**

Disables (default) CFS over IPv4 on the switch.

Enabling or Disabling CFS Over IPv6

To enable or disable CFS over IPv6, follow these steps:

Procedure

Step 1 switch# **configure terminal**

Enters configuration mode.

Step 2 switch(config)# **cfs ipv6 distribute**

Globally enables CFS over IPv6 for all applications on the switch.

Step 3 switch(config)# **no cfs ipv6 distribute**

Disables (default) CFS over IPv6 on the switch.

Configuring IP Multicast Address for CFS over IP

All CFS over IP enabled switches with similar multicast addresses form one CFS over IP fabric. CFS protocol specific distributions, such as the keepalive mechanism for detecting network topology changes, use the IP multicast address to send and receive information.



Note CFS distributions for application data use directed unicast.

You can configure a CFS over IP multicast address value for either IPv4 or IPv6. The default IPv4 multicast address is 239.255.70.83 and the default IPv6 multicast address is ff15:eff:4653.

Configuring IP Multicast Address for CFS over IPv4

To configure an IP multicast address for CFS over IPv4, follow these steps:

Procedure

Step 1 switch# **configure terminal**

Enters configuration mode.

Step 2 switch(config)# **cfs ipv4 mcast-address 239.255.1.1**

```
Distribution over this IP type will be affected
Change multicast address for CFS-IP ?
```

Configures the IPv4 multicast address for CFS distribution over IPv4. The ranges of valid IPv4 addresses are 239.255.0.0 through 239.255.255.255 and 239.192/16 through 239.251/16.

Step 3 switch(config)# **no cfs ipv4 mcast-address 239.255.1.1**

Example:

```
Distribution over this IP type will be affected
Change multicast address for CFS-IP ?Are you sure? (y/n) [n] y
```

Reverts to the default IPv4 multicast address for CFS distribution over IPv4. The default IPv4 multicast address for CFS is 239.255.70.83.

Configuring IP Multicast Address for CFS over IPv6

To configure an IP multicast address for CFS over IPv6, follow these steps:

Procedure

Step 1 switch# **configure terminal**

Enters configuration mode.

Step 2 switch(config)# **cfs ipv6 mcast-address ff15::e244:4754**

```
Distribution over this IP type will be affected
Change multicast address for CFS-IP ?
```

```
Are you sure? (y/n) [n] y
```

Configures the IPv6 multicast address for CFS distribution over IPv6. The range of valid IPv6 addresses is ff15::/16 (ff15::0000:0000 through ff15::ffff:ffff) and ff18::/16 (ff18::0000:0000 through ff18::ffff:ffff).

Step 3 switch(config)# **no cfs ipv6 mcast-address ff15::e244:4754**

```
Distribution over this IP type will be affected
Change multicast address for CFS-IP ?
Are you sure? (y/n) [n] y
```

Reverts to the default IPv6 multicast address for CFS distribution over IPv6. The default IPv6 multicast address for CFS over IP is ff15::eff:4653.

Configuring Static IP Peers for CFS

To configure a static IP peer address for CFS over IP, follow these steps:

Procedure

Step 1 switch# **configure terminal**

Enters configuration mode.

Step 2 switch(config)# **cfs static-peers**

```
WARNING: This mode will stop dynamic discovery and rely only on the static peers. For this
mode to be in effect, at least one static peer will need to be configured.
Do you wish to continue? (y/n) [n] y
```

```
switch(config-cfs-static)#
```

Enters CFS static peers configuration mode and disables dynamic discovery of peers using multicast forwarding. For this to take effect, at least one static peer needs to be configured in Step 3.

Step 3 switch(config)# **no cfs static-peers**

```
WARNING: This will remove all existing peers and start dynamic discovery.
Do you wish to continue? (y/n) [n] y
```

Disables CFS static peer discovery and enables dynamic peer discovery using multicast forwarding on all switches.

Step 4 switch(config-cfs-static)# **ip address 1.2.3.4**

```
switch(config-cfs-static)#ip address 1.2.3.5
```

```
switch(config-cfs-static)# end
```

```
switch#
```

Adds the IP address to the static peers list and marks the switch as CFS-capable. To display the static IP peers list, use the **show cfs static peers** command.

Step 5 switch(config-cfs-static)# **no ip address 1.2.3.3**
switch(config-cfs-static)# **end**

Removes the IP address from the static peers list and moves the switch to dynamic peer discovery using multicast forwarding.

Step 6 switch# **show cfs static peers**

Displays the IP address, WWN, and the status of CFS static peer request:

- Discovery Inprogress
- Local
- Reachable
- Unreachable
- Local IP not present
- Rediscovery and distribution disabled

Note The IP address and WWN must be configured on the local switch. If CFS does not receive the local switch information, then CFS cannot start any discovery for peer switches.

Configuring CFS Regions

Creating CFS Regions

To create a CFS region, perform this task:

Procedure

Step 1 switch# **configure terminal**
Enters configuration mode.

Step 2 switch(config)# **cfs region 4**
Creates a region, for example, number 4.

Assigning Applications to CFS Regions

To assign an application on a switch to a region, perform this task:

Procedure

- Step 1** switch# **configure terminal**
Enters configuration mode.
- Step 2** switch(config)# **cfs region 4**
Creates a region, for example, number 4.
- Step 3** switch(config-cfs-region)# **ntp**
switch(config-cfs-region)# **callhome**
Adds application(s).
-

Moving an Application to a Different CFS Region

You can move an application to a different CFS region, for example from Region 1 (originating region) with NTP and Call Home applications to Region 2 (target region).

To move an application, perform this task:

Procedure

- Step 1** switch# **configure terminal**
Enters configuration mode.
- Step 2** switch(config)# **cfs region 2**
Enters Region 2.
- Step 3** switch(config-cfs-region)# **ntp**
switch(config-cfs-region)# **callhome**
Indicates application(s) to be moved into Region 2 that originally belong to Region 1. For example, here, the NTP and Call Home applications are moved to Region 2.

Note If you try adding an application to the same region more than once, you see the error message, “Application already present in the same region.”

Removing an Application from a Region

Removing an application from a region is the same as moving the application back to the default region or to Region 0, that is, bringing the entire fabric into the scope of distribution for the application.

To remove applications from Region 1, perform this task:

Procedure

-
- Step 1** `switch# configure terminal`
Enters configuration mode.
- Step 2** `switch(config)# cfs region 1`
Enters Region 1.
- Step 3** `switch(config-cfs-region)# no ntp`
`switch(config-cfs-region)# no callhome`
Removes application(s) that belong to Region 1, which you want to move.
-

Deleting CFS Regions

Deleting a region is nullifying the region definition. All the applications bound by the region are released back to the default region by deleting that region.

To delete a region (for example, a region numbered 4), perform this task:

Procedure

-
- Step 1** `switch# configure terminal`
Enters configuration mode.
- Step 2** `switch(config)# no cfs region 4`

Example:

```
WARNING: All applications in the region will be moved to default region.
Are you sure? (y/n) [n]
```

Deletes the Region 4.

Note After Step 2, you see the warning, “All the applications in the region will be moved to the default region.”

Verifying CFS Configurations

To display the CFS configuration information, perform one of the following tasks:

Command	Purpose
<code>show cfs status</code>	Displays the status of CFS distribution on the switch.

Command	Purpose
show cfs application	Displays the applications that are currently registered with CFS.
show cfs lock	Displays all the locks that are currently acquired by any application.
show cfs status	Verifies the CFS over IP configuration.
show cfs region brief	Displays brief information about the CFS regions.
show cfs region	Displays detailed information about the CFS regions.

For detailed information about the fields in the output from these commands, refer to the *Cisco MDS 9000 Family Command Reference*.

Verifying CFS Distribution Status

The **show cfs status** command displays the status of CFS distribution on the switch.

```
switch# show cfs status
Distribution : Enabled
Distribution over IP : Disabled
IPv4 multicast address : 239.255.70.83
IPv6 multicast address : ff15::efff:4653
```

Verifying Application Registration Status

The **show cfs application** command displays the applications that are currently registered with CFS. The first column displays the application name. The second column indicates whether the application is enabled or disabled for distribution (enabled or disabled). The last column indicates the scope of distribution for the application (logical, physical, or both).



Note The **show cfs application** command only displays applications registered with CFS. Conditional services that use CFS do not appear in the output unless these services are running.

```
switch# show cfs application
-----
Application   Enabled   Scope
-----
ntp           No       Physical-fc-ip
fscm         Yes      Physical-fc
role         No       Physical-fc-ip
rscn         No       Logical
radius       No       Physical-fc-ip
fctimer      No       Physical-fc
syslogd      No       Physical-fc-ip
callhome     No       Physical-fc-ip
fcdomain     No       Logical
fc-redirect  Yes      Physical-fc
device-alias Yes      Physical-fc
Total number of entries = 11
```

The **show cfs application name** command displays the details for a particular application. It displays the enabled/disabled state, timeout as registered with CFS, merge capability (if it has registered with CFS for merge support), and the distribution scope.

```
switch# show cfs application name ntp
Enabled       : Yes
Timeout      : 5s
Merge Capable : Yes
Scope        : Physical
Region       : Default
```

Verifying CFS Lock Status

The **show cfs lock** command displays all the locks that are currently acquired by any application. For each application the command displays the application name and scope of the lock taken. If the application lock is taken in the physical scope, then this command displays the switch WWN, IP address, user name, and user type of the lock holder. If the application is taken in the logical scope, then this command displays the VSAN in which the lock is taken, the domain, IP address, user name, and user type of the lock holder.

```
switch# show cfs lock
Application: ntp
Scope      : Physical
-----
Switch WWN          IP Address      User Name      User Type
-----
20:00:00:05:30:00:6b:9e  10.76.100.167  admin         CLI/SNMP v3
Total number of entries = 1
Application: port-security
Scope        : Logical
-----
VSAN   Domain   IP Address      User Name      User Type
-----
1      238      10.76.100.167  admin         CLI/SNMP v3
2      211      10.76.100.167  admin         CLI/SNMP v3
Total number of entries = 2
```

The **show cfs lock name** command displays the lock details similar for the specified application.

Lock Information for the Specified Application

```
switch# show cfs lock name ntp
Scope      : Physical
-----
Switch WWN          IP Address      User Name      User Type
-----
20:00:00:05:30:00:6b:9e  10.76.100.167  admin         CLI/SNMP v3
Total number of entries = 1
```

Verifying the CFS over IP Configuration

To verify the CFS over IP configuration, use the **show cfs status** command.


```
switch# show cfs status
Distribution : Enabled
Distribution over IP : Disabled
IPv4 multicast address : 239.255.70.83
IPv6 multicast address : ff15::efff:4653
```

Verifying IP Multicast Address Configuration for CFS over IP

To verify the IP multicast address configuration for CFS over IP, use the **show cfs status** command.

```
switch# show cfs status
Fabric distribution Enabled
IP distribution Enabled mode ipv4
IPv4 multicast address : 10.1.10.100
IPv6 multicast address : ff13::e244:4754
```

Verifying Static IP Peer Configuration

To verify the IP peer configuration, use the **show cfs status** command.

```
switch# show cfs status
Distribution: Enabled
Distribution over IP: Enabled - mode IPv4 (static)
IPv4 multicast address : 239:255:70:83
IPv6 multicast address : ff15::efff:4563
```

To display the status of static IP peers discovery, use the **show cfs static peers** command.

```
switch# show cfs static peers
-----
IP Address      WWN              Status
-----
192.0.2.4       00:00:00:00:00:00:00:00  Discovery in progress
192.0.2.5       20:00:00:0d:ec:06:55:b9  Reachable
192.0.2.6       20:00:00:0d:ec:06:55:c0  Local
```

Verifying CFS Regions

To display the CFS regions, perform this task:

Procedure

-
- Step 1** switch# **configure terminal**
Enters configuration mode.
 - Step 2** switch(config)# **show cfs region brief**
Displays brief information about the CFS regions.
 - Step 3** switch(config)# **show cfs region**

Displays detailed information about the CFS regions.

Note To successfully form CFS peer you may configure common mcast IP on two different switches which are connected to two different management switches.

Additional References

For additional information related to implementing CFS, see the following section:

MIBs

MIBs	MIBs Link
<ul style="list-style-type: none">• CISCO-CFS-CAPABILITY-MIB• CISCO-CFS-MIB	To locate and download MIBs, go to the following URL: http://www.cisco.com/en/US/products/ps5989/prod_technical_reference_list.html



CHAPTER 4

Configuring System Message Logging

This chapter describes how to configure system message logging on Cisco MDS 9000 Family switches.

- [Information About System Message Logging, on page 27](#)
- [Guidelines and Limitations, on page 32](#)
- [Default Settings, on page 32](#)
- [Configuring System Message Logging, on page 33](#)
- [Additional References, on page 45](#)

Information About System Message Logging

With the system message logging software, you can save messages in a log file or direct the messages to other devices. By default, the switch logs normal but significant system messages to a log file and sends these messages to the system console. This feature provides you with the following capabilities:

- Provides logging information for monitoring and troubleshooting
- Allows you to select the types of captured logging information
- Allows you to select the destination server to forward the captured logging information properly configured system message logging server.



Note When the switch first initializes, the network is not connected until initialization completes. Therefore, messages are not redirected to a system message logging server for a few seconds.

Log messages are not saved across system reboots. However, a maximum of 100 log messages with a severity level of critical and below (levels 0, 1, and 2) are saved in NVRAM.

[Table 3: Internal Logging Facilities](#), on page 27 describes some samples of the facilities supported by the system message logs.

Table 3: Internal Logging Facilities

Facility Keyword	Description	Standard or Cisco MDS Specific
acl	ACL manager	Cisco MDS 9000 Family specific

Facility Keyword	Description	Standard or Cisco MDS Specific
all	All facilities	Cisco MDS 9000 Family specific
auth	Authorization system	Standard
authpriv	Authorization (private) system	Standard
bootvar	Bootvar	Cisco MDS 9000 Family specific
callhome	Call Home	Cisco MDS 9000 Family specific
cron	Cron or at facility	Standard
daemon	System daemons	Standard
fcc	FCC	Cisco MDS 9000 Family specific
fcdomain	fcdomain	Cisco MDS 9000 Family specific
fcns	Name server	Cisco MDS 9000 Family specific
fcs	FCS	Cisco MDS 9000 Family specific
flogi	FLOGI	Cisco MDS 9000 Family specific
fspf	FSPF	Cisco MDS 9000 Family specific
ftp	File Transfer Protocol	Standard
ipconf	IP configuration	Cisco MDS 9000 Family specific
ipfc	IPFC	Cisco MDS 9000 Family specific
kernel	Kernel	Standard
local0 to local7	Locally defined messages	Standard
lpr	Line printer system	Standard
mail	Mail system	Standard
mcast	Multicast	Cisco MDS 9000 Family specific
module	Switching module	Cisco MDS 9000 Family specific
news	USENET news	Standard
ntp	NTP	Cisco MDS 9000 Family specific
platform	Platform manager	Cisco MDS 9000 Family specific
port	Port	Cisco MDS 9000 Family specific
port-channel	PortChannel	Cisco MDS 9000 Family specific
qos	QoS	Cisco MDS 9000 Family specific

Facility Keyword	Description	Standard or Cisco MDS Specific
rdl	RDL	Cisco MDS 9000 Family specific
rib	RIB	Cisco MDS 9000 Family specific
rscn	RSCN	Cisco MDS 9000 Family specific
securityd	Security	Cisco MDS 9000 Family specific
syslog	Internal system messages	Standard
sysmgr	System manager	Cisco MDS 9000 Family specific
tlport	TL port	Cisco MDS 9000 Family specific
user	User process	Standard
uucp	UNIX-to-UNIX Copy Program	Standard
vhbad	Virtual host base adapter daemon	Cisco MDS 9000 Family specific
vni	Virtual network interface	Cisco MDS 9000 Family specific
vrrp_cfg	VRRP configuration	Cisco MDS 9000 Family specific
vrrp_eng	VRRP engine	Cisco MDS 9000 Family specific
vsan	VSAN system messages	Cisco MDS 9000 Family specific
vshd	vshd	Cisco MDS 9000 Family specific
wwn	WWN manager	Cisco MDS 9000 Family specific
xbar	Xbar system messages	Cisco MDS 9000 Family specific
zone	Zone server	Cisco MDS 9000 Family specific

Table 4: Error Message Severity Levels , on page 29 describes the severity levels supported by the system message logs.

Table 4: Error Message Severity Levels

Level Keyword	Level	Description	System Message Definition
emergencies	0	System unusable	LOG_EMERG
alerts	1	Immediate action needed	LOG_ALERT
critical	2	Critical conditions	LOG_CRIT
errors	3	Error conditions	LOG_ERR
warnings	4	Warning conditions	LOG_WARNING
notifications	5	Normal but significant condition	LOG_NOTICE

Level Keyword	Level	Description	System Message Definition
informational	6	Informational messages only	LOG_INFO
debugging	7	Debugging messages	LOG_DEBUG



Note Refer to the *Cisco MDS 9000 Family System Messages Reference* for details on the error log message format.

System Message Logging

The system message logging software saves the messages in a log file or directs the messages to other devices. This feature has the following capabilities:

- Provides logging information for monitoring and troubleshooting.
- Allows the user to select the types of captured logging information.
- Allows the user to select the destination server to forward the captured logging information.

By default, the switch logs normal but significant system messages to a log file and sends these messages to the system console. You can specify which system messages should be saved based on the type of facility and the severity level. Messages are time-stamped to enhance real-time debugging and management.

You can access the logged system messages using the CLI or by saving them to a correctly configured system message logging server. The switch software saves system messages in a file that can save up to 1200 entries. You can monitor system messages remotely by accessing the switch through Telnet, SSH, the console port, or by viewing the logs on a system message logging server.

SFP Diagnostics

The error message related to SFP failures is written to the syslog. You can listen to the syslog for events related to SFP failures. The values, low or high alarm, and the warning are checked for the following parameters:

- TX Power
- RX Power
- Temperature
- Voltage
- Current

The SFP notification trap indicates the current status of the alarm and warning monitoring parameters for all the sensors based on the digital diagnostic monitoring information. This notification is generated whenever there is a change in the status of at least one of the monitoring parameters of the sensors on the transceiver in an interface.

The CISCO-INTERFACE-XCVR-MONITOR-MIB contains the SFP notification trap information. Refer to the *Cisco MDS 9000 Family MIB Quick Reference* for more information on this MIB.

Outgoing System Message Logging Server Facilities

All system messages have a logging facility and a level. The logging facility can be thought of as *where* and the level can be thought of as *what*.

The single system message logging daemon (syslogd) sends the information based on the configured **facility** option. If no facility is specified, local7 is the default outgoing facility.

The internal facilities are listed in [Table 3: Internal Logging Facilities](#), on page 27 and the outgoing logging facilities are listed in [Table 5: Outgoing Logging Facilities](#), on page 31.

Table 5: Outgoing Logging Facilities

Facility Keyword	Description	Standard or Cisco MDS Specific
auth	Authorization system	Standard
authpriv	Authorization (private) system	Standard
cron	Cron or at facility	Standard
daemon	System daemons	Standard
ftp	File Transfer Protocol	Standard
kernel	Kernel	Standard
local0 to local7	Locally defined messages	Standard (local7 is the default)
lpr	Line printer system	Standard
mail	Mail system	Standard
news	USENET news	Standard
syslog	Internal system messages	Standard
user	User process	Standard
uucp	UNIX-to-UNIX Copy Program	Standard

System Message Logging Configuration Distribution

You can enable fabric distribution for all Cisco MDS switches in the fabric. When you perform system message logging configurations, and distribution is enabled, that configuration is distributed to all the switches in the fabric.

You automatically acquire a fabric-wide lock when you issue the first configuration command after you enabled distribution in a switch. The system message logging server uses the effective and pending database model to store or commit the commands based on your configuration. When you commit the configuration changes, the effective database is overwritten by the configuration changes in the pending database and all the switches in the fabric receive the same configuration. After making the configuration changes, you can choose to discard the changes by aborting the changes instead of committing them. In either case, the lock is released. See [Using the CFS Infrastructure](#), on page 7 for more information on the CFS application.

Fabric Lock Override

If you have performed a system message logging task and have forgotten to release the lock by either committing or discarding the changes, an administrator can release the lock from any switch in the fabric. If the administrator performs this task, your changes to the pending database are discarded and the fabric lock is released.



Tip The changes are only available in the volatile directory and are subject to being discarded if the switch is restarted.

Guidelines and Limitations

See the [CFS Merge Support, on page 11](#) for detailed concepts.

When merging two system message logging databases, follow these guidelines:

- Be aware that the merged database is a union of the existing and received database for each switch in the fabric.
- Verify that the merged database will only have a maximum of three system message logging servers.



Caution If the merged database contains more than three servers, the merge will fail.

Default Settings

[Table 6: Default System Message Log Settings, on page 32](#) lists the default settings for system message logging.

Table 6: Default System Message Log Settings

Parameters	Default
System message logging to the console	Enabled for messages at the critical severity level.
System message logging to Telnet sessions	Disabled.
Logging file size	4194304.
Log file name	Message (change to a name with up to 200 characters).
Logging server	Disabled.
Syslog server IP address	Not configured.
Number of servers	Three servers.
Server facility	Local 7.

Configuring System Message Logging

System logging messages are sent to the console based on the default (or configured) logging facility and severity values.

Task Flow for Configuring System Message Logging

Follow these steps to configure system message logging:

Procedure

- Step 1** Enable or disable message logging.
 - Step 2** Configure console severity level.
 - Step 3** Configure monitor severity level.
 - Step 4** Configure module logging.
 - Step 5** Configure facility severity levels.
 - Step 6** Send log files.
 - Step 7** Configure system message logging servers.
 - Step 8** Configure system message logging distribution.
-

Enabling or Disabling Message Logging

You can disable logging to the console or enable logging to a specific Telnet or SSH session.

- When you disable or enable logging to a console session, that state is applied to all future console sessions. If you exit and log in again to a new session, the state is preserved.
- When you enable or disable logging to a Telnet or SSH session, that state is applied only to that session. If you exit and log in again to a new session, the state is not preserved.

To enable or disable the logging state for a Telnet or SSH session, follow these steps:

Procedure

- Step 1** `switch# terminal monitor`
Enables logging for a Telnet or SSH session.
Note A console session is enabled by default.
 - Step 2** `switch# terminal no monitor`
Disables logging for a Telnet or SSH session.
Note A Telnet or SSH session is disabled by default.
-

Configuring Console Severity Level

When logging is enabled for a console session (default), you can configure the severity levels of messages that appear on the console. The default severity for console logging is 2 (critical).



Note The current critical (default) logging level is maintained if the console baud speed is 9600 baud (default). All attempts to change the console logging level generates an error message. To increase the logging level (above critical), you must change the console baud speed to 38400 baud.

To configure the severity level for the console session, follow these steps:

Procedure

-
- Step 1** switch# **configure terminal**
Enters configuration mode.
- Step 2** switch(config)# **logging console 3**
Configures console logging at level 3 (error). Logging messages with a severity level of 3 or above are displayed on the console.
- Step 3** switch(config)# **no logging console**
Reverts console logging to the factory set default severity level of 2 (critical). Logging messages with a severity level of 2 or above are displayed on the console.
-

Configuring Monitor Severity Level

When logging is enabled for a monitor session (default), you can configure the severity levels of messages that appear on the monitor. The default severity for monitor logging is 5 (notifications).

To configure the severity level for a monitor session, follow these steps:

Procedure

-
- Step 1** switch# **configure terminal**
Enters configuration mode.
- Step 2** switch(config)# **logging monitor 3**
Configures monitor logging at level 3 (error). Logging messages with a severity level of 3 or above are displayed on the monitor.
- Step 3** switch(config)# **no logging monitor**

Reverts monitor logging to the factory set default severity level of 5 (notifications). Logging messages with a severity level of 5 or above are displayed on the console.

Configuring Module Logging

By default, logging is enabled at level 7 for all modules. You can enable or disable logging for each module at a specified level.

To enable or disable the logging for modules and configure the severity level, follow these steps:

Procedure

- Step 1** `switch# configure terminal`
Enters configuration mode.
- Step 2** `switch(config)# logging module 1`
Configures module logging at level 1 (alerts) for all modules.
- Step 3** `switch(config)# logging module`
Configures module logging for all modules in the switch at the default level 5 (notifications).
- Step 4** `switch(config)# no logging module`
Disables module logging.
-

Configuring Facility Severity Levels

To configure the severity level for a logging facility (see [Table 3: Internal Logging Facilities](#), on page 27), follow these steps:

Procedure

- Step 1** `switch# configure terminal`
Enters configuration mode.
- Step 2** `switch(config)# logging level kernel 4`
Configures Telnet or SSH logging for the kernel facility at level 4 (warning). As a result, logging messages with a severity level of 4 or above are displayed.
- Step 3** `switch(config)# no logging level kernel 4`
Reverts to the default severity level 6 (informational) for the Telnet or SSH logging for the kernel facility.

Note Use the **show logging info** command to display the default logging levels for the facilities listed in [Table 3: Internal Logging Facilities](#), on page 27.

Sending Log Files

By default, the switch logs normal but significant system messages to a log file and sends these messages to the system console. Log messages are not saved across system reboots. The logging messages that are generated may be saved to a log file. You can configure the name of this file and restrict its size as required. The default log file name is messages.

The file name can have up to 80 characters and the file size ranges from 4096 bytes to 4194304 bytes.

To send log messages to a file, follow these steps:

Procedure

- Step 1** switch# **configure terminal**
Enters configuration mode.
- Step 2** switch(config)# **logging logfile messages 3**
Configures logging of information for errors or events above with a severity level 3 or above to the default log file named messages.
- Step 3** switch(config)# **logging logfile ManagerLog 3**
Configures logging of information for errors or events with a severity level 3 or above to a file named ManagerLog using the default size of 10,485,760 bytes.
- Step 4** switch(config)# **logging logfile ManagerLog 3 size 3000000**
Configures logging information for errors or events with a severity level 3 or above to a file named ManagerLog. By configuring a size, you are restricting the file size to 3,000,000 bytes.
- Step 5** switch(config)# **no logging logfile**
Disables logging messages to the logfile.
You can rename the log file using the **logging logfile** command.
The configured log file is saved in the /var/log/external directory. The location of the log file cannot be changed. You can use the **show logging logfile** and **clear logging logfile** commands to view and delete the contents of this file. You can use the **dir log:** command to view logging file statistics. You can use the **delete log:** command to remove the log file.
You can copy the logfile to a different location using the **copy log:** command using additional copy syntax.
-

Configuring System Message Logging Servers

You can configure a maximum of three system message logging servers. To send log messages to a UNIX system message logging server, you must configure the system message logging daemon on a UNIX server. Log in as root, and follow these steps:

Procedure

Step 1 Add the following line to the `/etc/syslog.conf` file.

```
local1.debug /var/log/ myfile .log
```

Note Be sure to add five tab characters between **local1.debug** and **/var/log/myfile.log**. Refer to entries in the `/etc/syslog.conf` file for further examples.

The switch sends messages according to the specified facility types and severity levels. The **local1** keyword specifies the UNIX logging facility used. The messages from the switch are generated by user processes. The **debug** keyword specifies the severity level of the condition being logged. You can set UNIX systems to receive all messages from the switch.

Step 2 Create the log file by entering these commands at the UNIX shell prompt:

```
$ touch /var/log/ myfile .log
```

```
$ chmod 666 /var/log/ myfile .log
```

Step 3 Make sure the system message logging daemon reads the new changes by entering this command:

```
$ kill -HUP ~cat /etc/syslog.pid~
```

Configuring System Message Logging Server IPv4 Addresses

To configure system message logging server IPv4 addresses, follow these steps:

Procedure

Step 1 `switch# configure terminal`

Enters configuration mode.

Step 2 `switch(config)# logging server 172.22.00.00`

Configures the switch to forward log messages according to the specified facility types and severity levels to remote multiple servers specified by its hostname or IPv4 address (172.22.00.00).

Step 3 `switch(config)# logging server 172.22.00.00 facility local1`

Configures the switch to forward log messages according to the specified facility (local1) for the server IPv4 address (172.22.00.00). The default outgoing facility is local7.

Step 4 `switch(config)# no logging server 172.11.00.00`

Removes the specified server (172.11.00.00) and reverts to factory default.

Configuring System Message Logging Server IPv6 Addresses

To configure system message logging server IPv6 addresses, follow these steps:

Procedure

- Step 1** switch# **configure terminal**
Enters configuration mode.
- Step 2** switch(config)# **logging server 2001::0db8:800:200c:417a**
Configures the switch to forward log messages according to the specified facility types and severity levels to a remote server specified by its IPv6 address.
- Step 3** switch(config)# **logging server 2001::0db8:800:200c:417a facility local1**
Configures the switch to forward log messages according to the specified facility (local1) for the server IPv6 address. The default outgoing facility is local7.
- Step 4** switch(config)# **no logging server 2001::0db8:800:200c:417a**
Removes the specified server and reverts to factory default.
-

Configuring System Message Logging Distribution

To enable fabric distribution for system message logging server configurations, follow these steps:

Procedure

- Step 1** switch# **configure terminal**
Enters configuration mode.
- Step 2** switch(config)# **logging distribute**
Enables the system message logging server configuration to be distributed to all switches in the fabric, acquires a lock, and stores all future configuration changes in the pending database.
- Step 3** switch(config)# **no logging distribute**
Disables (default) system message logging server configuration distribution to all switches in the fabric.
-

Committing Changes

To commit the system message logging server configuration changes, follow these steps:

Procedure

- Step 1** `switch# configure terminal`
Enters configuration mode.
- Step 2** `switch(config)# logging commit`
Distributes the configuration changes to all switches in the fabric, releases the lock, and overwrites the effective database with the changes made to the pending database.
-

Discarding Changes

To discard the system message logging server configuration changes, follow these steps:

Procedure

- Step 1** `switch# configure terminal`
Enters configuration mode.
- Step 2** `switch(config)# logging abort`
Discards the system message logging server configuration changes in the pending database and releases the fabric lock.
-

Fabric Lock Override

To use administrative privileges and release a locked system message logging session, use the **clear logging session** command.

```
switch# clear logging session
```

Displaying System Message Logging Information

To display the system message logging information, perform one of the following tasks:

Command	Purpose
<code>show logging</code>	Displays current system message logging.
<code>show logging nvram</code>	Displays NVRM log contents.

Command	Purpose
show logging logfile	Displays the log file.
show logging level	Displays logging facility.
show logging info	Displays logging information.
show logging last 2	Displays last few lines of a log file.
show logging module	Displays switching module logging status.
show logging monitor	Displays monitor logging status.
show logging server	Displays server information.

For detailed information about the fields in the output from these commands, refer to the *Cisco MDS 9000 Family Command Reference*.

Use the **show logging** command to display the current system message logging configuration. See Examples [Current System Message Logging, on page 40](#) to [Server Information, on page 45](#).



Note When using the **show logging** command, output is displayed only when the configured logging levels for the switch are different from the default levels.

Current System Message Logging

The following example displays the current system message logging:

```
switch# show logging

Logging console:           enabled (Severity: critical)
Logging monitor:          enabled (Severity: debugging)
Logging linecard:         enabled (Severity: debugging)
Logging server:           enabled
{172.20.102.34}
    server severity:       debugging
    server facility:       local7
{10.77.202.88}
    server severity:       debugging
    server facility:       local7
{10.77.202.149}
    server severity:       debugging
    server facility:       local7
Logging logfile:          enabled
    Name - messages: Severity - debugging Size - 4194304
Facility      Default Severity      Current Session Severity
-----
kern          6                          6
user          3                          3
mail          3                          3
daemon        7                          7
auth          0                          7
syslog        3                          3
lpr           3                          3
```



```

news                3                3
uucp                3                3
cron                3                3
authpriv            3                7
ftp                 3                3
local0              3                3
local1              3                3
local2              3                3
local3              3                3
local4              3                3
local5              3                3
local6              3                3
local7              3                3
vsan                2                2
fspf                3                3
fcdomain            2                2
module              5                5
sysmgr              3                3
zone                2                2
vni                 2                2
ipconf              2                2
ipfc                2                2
xbar                3                3
fcns                2                2
fcs                 2                2
acl                 2                2
tlport             2                2
port                5                5
flogi               2                2
port_channel        5                5
wnn                 3                3
fcc                 2                2
qos                 3                3
vrrp_cfg            2                2
ntp                 2                2
platform            5                5
vrrp_eng            2                2
callhome            2                2
mcast               2                2
rdl                 2                2
rscn                2                2
bootvar             5                2
securityd           2                2
vhbad               2                2
rib                 2                2
vshd                5                5
0(emergencies)      1(alerts)        2(critical)
3(errors)            4(warnings)      5(notifications)
6(information)      7(debugging)
Feb 14 09:50:57 excal-113 %TTYD-6-TTYD_MISC: TTYD TTYD started
Feb 14 09:50:58 excal-113 %DAEMON-6-SYSTEM_MSG: precision = 8 usec
...

```

Use the **show logging nvram** command to view the log messages saved in NVRAM. Only log messages with a severity level of critical and below (levels 0, 1, and 2) are saved in NVRAM.

NVRM Log Contents

The following example displays the NVRM log contents:

```
switch# show logging nvram
```

```

Jul 16 20:36:46 172.22.91.204 %KERN-2-SYSTEM_MSG: unable to alloc and fill in a
new mtsbuf (pid=2209, ret_val = -105)
Jul 16 20:36:46 172.22.91.204 %KERN-2-SYSTEM_MSG: unable to alloc and fill in a
new mtsbuf (pid=2199, ret_val = -105)
Jul 16 20:36:46 172.22.91.204 %KERN-2-SYSTEM_MSG: unable to alloc and fill in a
new mtsbuf (pid=2213, ret_val = -105)
Jul 16 20:36:46 172.22.91.204 %KERN-2-SYSTEM_MSG: unable to alloc and fill in a
new mtsbuf (pid=2213, ret_val = -105)
...

```

Log File

The following example displays the log file:

```
switch# show logging logfile
```

```

Jul 16 21:06:50 %DAEMON-3-SYSTEM_MSG: Un-parsable frequency in /mnt/pss/ntp.drift
Jul 16 21:06:56 %DAEMON-3-SYSTEM_MSG: snmpd:snmp_open_debug_cfg: no snmp_saved_dbg_uri ;
Jul 16 21:06:58 172.22.91.204 %PORT-5-IF_UP: Interface mgmt0 is up
Jul 16 21:06:58 172.22.91.204 %MODULE-5-ACTIVE_SUP_OK: Supervisor 5 is active
...

```

Console Logging Status

The following example displays the console logging status:

```
switch# show logging console
```

```
Logging console:                enabled (Severity: notifications)
```

Logging Facility

The following example displays the logging facility:

```
switch# show logging level
```

Facility	Default Severity	Current Session Severity
-----	-----	-----
kern	6	6
user	3	3
mail	3	3
daemon	7	7
auth	0	7
syslog	3	3
lpr	3	3
news	3	3
uucp	3	3
cron	3	3
authpriv	3	7
ftp	3	3
local0	3	3
local1	3	3
local2	3	3
local3	3	3
local4	3	3

local5	3	3
local6	3	3
local7	3	3
vsan	2	2
fspf	3	3
fcdomain	2	2
module	5	5
sysmgr	3	3
zone	2	2
vni	2	2
ipconf	2	2
ipfc	2	2
xbar	3	3
fcns	2	2
fcs	2	2
acl	2	2
tlport	2	2
port	5	5
flogi	2	2
port_channel	5	5
wnn	3	3
fcc	2	2
qos	3	3
vrrp_cfg	2	2
ntp	2	2
platform	5	5
vrrp_eng	2	2
callhome	2	2
mcast	2	2
rdl	2	2
rscn	2	2
bootvar	5	2
securityd	2	2
vhbad	2	2
rib	2	2
vshd	5	5
0(emergencies)	1(alerts)	2(critical)
3(errors)	4(warnings)	5(notifications)
6(information)	7(debugging)	

Logging Information

The following example displays the logging information:

```
switch# show logging info

Logging console:          enabled (Severity: critical)
Logging monitor:         enabled (Severity: debugging)
Logging linecard:        enabled (Severity: debugging)
Logging server:          enabled
{172.20.102.34}
  server severity:       debugging
  server facility:       local7
{10.77.202.88}
  server severity:       debugging
  server facility:       local7
{10.77.202.149}
  server severity:       debugging
  server facility:       local7
Logging logfile:         enabled
Name - messages: Severity - debugging Size - 4194304
```

Facility	Default Severity	Current Session Severity
-----	-----	-----
kern	6	6
user	3	3
mail	3	3
daemon	7	7
auth	0	7
syslog	3	3
lpr	3	3
news	3	3
uucp	3	3
cron	3	3
authpriv	3	7
ftp	3	3
local0	3	3
local1	3	3
local2	3	3
local3	3	3
local4	3	3
local5	3	3
local6	3	3
local7	3	3
vsan	2	2
fspf	3	3
fcdomain	2	2
module	5	5
sysmgr	3	3
zone	2	2
vni	2	2
ipconf	2	2
ipfc	2	2
xbar	3	3
fcns	2	2
fcs	2	2
acl	2	2
tlport	2	2
port	5	5
flogi	2	2
port_channel	5	5
wnn	3	3
fcc	2	2
qos	3	3
vrrp_cfg	2	2
ntp	2	2
platform	5	5
vrrp_eng	2	2
callhome	2	2
mcast	2	2
rdl	2	2
rscn	2	2
bootvar	5	2
securityd	2	2
vhbad	2	2
rib	2	2
vshd	5	5
0 (emergencies)	1 (alerts)	2 (critical)
3 (errors)	4 (warnings)	5 (notifications)
6 (information)	7 (debugging)	

Last Few Lines of a Log File

The following example displays the last few lines of a log file:

```
switch# show logging last2

Nov 8 16:48:04 excal-113 %LOG_VSHD-5-VSHD_SYSLOG_CONFIG_I: Configuring console from pts/1
(171.71.58.56)
Nov 8 17:44:09 excal-113 %LOG_VSHD-5-VSHD_SYSLOG_CONFIG_I: Configuring console from pts/0
(171.71.58.72)
```

Switching Module Logging Status

The following example displays switching module logging status:

```
switch# show logging module

Logging linecard:                enabled (Severity: debugging)
```

Monitor Logging Status

The following example displays the monitor logging status:

```
switch# show logging monitor

Logging monitor:                enabled (Severity: information)
```

Server Information

The following example displays the server information:

```
switch# show logging server

Logging server:                enabled
{172.22.95.167}
  server severity:            debugging
  server facility:            local7
{172.22.92.58}
  server severity:            debugging
  server facility:            local7
```

Additional References

For additional information related to implementing system message logging, see the following section:

MIBs

MIBs	MIBs Link
<ul style="list-style-type: none"> • CISCO-SYSLOG-EXT-MIB • CISCO-SYSLOG-MIB 	To locate and download MIBs, go to the following URL: http://www.cisco.com/en/US/products/ps5989/prod_technical_reference_list.html



CHAPTER 5

Configuring Call Home

Call Home provides e-mail-based notification of critical system events. A versatile range of message formats are available for optimal compatibility with pager services, standard e-mail, or XML-based automated parsing applications.



Note Cisco Autonotify is upgraded to a new capability called Smart Call Home. Smart Call Home has significant functionality improvement over Autonotify and is available across the Cisco product range. For detailed information on Smart Call Home, see the Smart Call Home page at this location: <http://www.cisco.com/go/smartcall/>.

This chapter includes the following sections:

- [Information About Call Home, on page 47](#)
- [Guidelines and Limitations, on page 66](#)
- [Default Settings, on page 67](#)
- [Configuring Call Home, on page 68](#)
- [Configuring Call Home Wizard, on page 85](#)
- [Verifying Call Home Configuration, on page 95](#)
- [Monitoring Call Home, on page 100](#)
- [Field Descriptions for Call Home, on page 105](#)
- [Additional References, on page 110](#)
- [Feature History for Call Home, on page 110](#)

Information About Call Home

The Call Home feature provides message throttling capabilities. Periodic inventory messages, port syslog messages, and RMON alert messages are added to the list of deliverable Call Home messages. If required you can also use the Cisco Fabric Services application to distribute the Call Home configuration to all other switches in the fabric.

The Call Home service provides e-mail-based notification of critical system events. A versatile range of message formats are available for optimal compatibility with pager services, standard e-mail, or XML-based automated parsing applications.

Common features may include the following:

- Paging the network support engineer
- E-mailing the Network Operations Center
- Raising a direct case with the Technical Assistance Center

The Call Home functionality is available directly through the Cisco MDS 9000 Series switches and the Cisco Nexus 5000 Series switches. It provides multiple Call Home messages, each with separate potential destinations. You can define your own destination profiles in addition to predefined profiles; you can configure up to 50 e-mail addresses for each destination profile. Flexible message delivery and format options make it easy to integrate specific support requirements.

The Call Home feature offers the following advantages:

- Fixed set of predefined alerts for trigger events on the switch.
- Automatic execution and attachment of relevant command output.

Call Home Features

The Call Home functionality is available directly through the Cisco MDS 9000 Series switches and the Cisco Nexus 5000 Series switches. It provides multiple Call Home profiles (also referred to as *Call Home destination profiles*), each with separate potential destinations. You can define your own destination profiles in addition to predefined profiles.

The Call Home function can even leverage support from Cisco Systems or another support partner. Flexible message delivery and format options make it easy to integrate specific support requirements.

The Call Home feature offers the following advantages:

- Fixed set of predefined alerts and trigger events on the switch.
- Automatic execution and attachment of relevant command output.
- Multiple message format options:
 - Short Text—Suitable for pagers or printed reports.
 - Plain Text—Full formatted message information suitable for human reading.
 - XML—Matching readable format using Extensible Markup Language (XML) and document type definitions (DTDs) named Messaging Markup Language (MML). The MML DTD is published on the Cisco.com website at <http://www.cisco.com/>. The XML format enables communication with the Cisco Systems Technical Assistance Center.
- Multiple concurrent message destinations. You can configure up to 50 e-mail destination addresses for each destination profile.
- Multiple message categories including system, environment, switching module hardware, supervisor module, hardware, inventory, syslog, RMON, and test.
- Secure messages transport directly from your device or through an HTTP proxy server or a downloadable transport gateway (TG). You can use a TG aggregation point to support multiple devices, or in cases where security requires that your devices not be connected directly to the Internet.



Note Beginning from the Cisco MDS Release 7.3(0)D1(1), all the alerts are classified under the type, Environment and sub type, Minor.

- SUP_FAILURE, POWER_SUPPY_FAILURE, LINECARD_FAILURE alerts are classified under the type, Environment and sub type, Major.

About Smart Call Home

Smart Call Home is a component of Cisco SMARTnet Service that offers proactive diagnostics, real-time alerts, and personalized web-based reports on select Cisco devices.

Smart Call Home provides fast resolution of system problems by analyzing Call Home messages sent from your devices and providing a direct notification path to Cisco customer support.

Smart Call Home offers the following features:

- Continuous device health monitoring and real-time diagnostics alerts.
- Analysis of Call Home messages from your device and where appropriate, automatic service request generation, routed to the appropriate TAC team, including detailed diagnostic information to speed problem resolution.
- Web-based access to Call Home messages and recommendations, inventory and configuration information for all Call Home devices. Provides access to associated Field Notices, Security Advisories and End-of-Life Information

[Table 7: Benefits of Smart Call Home Compared to Autonotify](#), on page 49 lists the benefits of Smart Call Home.

Table 7: Benefits of Smart Call Home Compared to Autonotify

Feature	Smart Call Home	Autonotify
Low touch registration	The registration process is considerably streamlined. Customers no longer need to know their device serial number or contract information. They can register devices without manual intervention from Cisco by sending a message from those devices. The procedures are outlined at www.cisco.com/go/smartcall .	Requires the customer to request Cisco to add each specific serial number to the database.
Recommendations	Smart Call Home provides recommendations for known issues including those for which SRs are raised and for which SRs are not appropriate but for which customers might want to still take action on.	Autonotify raises SRs for a set of failure scenarios but no recommendations are provided for these.
Device report	Device report includes full inventory and configuration details. Once available, the information in these reports will be mapped to field notices, PSIRTs, EoX notices, configuration best practices and bugs.	No.

Feature	Smart Call Home	Autonotify
History report	The history report is available to look up any message and its contents, including show commands, message processing, analysis results, recommendations and service request numbers for all messages sent over the past three months.	A basic version is available that does not include contents of message.
Network summary report	A report that provides a summary of the make-up of devices and modules in the customer network (for those devices registered with Smart Call home).	No.
Cisco device support	Device Support will be extended across the Cisco product range. See the supported products table at www.cisco.com/go/smartcall .	Deprecated in favor of Smart Call Home in October 2008.

Obtaining Smart Call Home

If you have a service contract directly with Cisco Systems, you can receive automatic case generation from the Technical Assistance Center by registering with the Smart Call Home service.

You need the following items to register:

- The SMARTnet contract number for your switch.
- Your e-mail address
- Your Cisco.com ID

For detailed information on Smart Call Home, including quick start configuration and registration steps, see the Smart Call Home page at this location:

<http://www.cisco.com/go/smartcall/>

Call Home Destination Profiles

A destination profile contains the required delivery information for an alert notification. Destination profiles are typically configured by the network administrator.

Using alert groups you can select the set of Call Home alerts to be received by a destination profile (predefined or user defined). Alert groups are predefined subsets of Call Home alerts supported in all switches in the Cisco MDS 9000 Series and the Cisco Nexus 5000 Series. Different types of Call Home alerts are grouped into different alert groups depending on their type. You can associate one or more alert groups to each profile as required by your network.

Call Home Alert Groups

An alert group is a predefined subset of Call Home alerts supported in all switches in the Cisco MDS 9000 Series and Cisco Nexus 5000 Series. Alert groups allow you to select the set of Call Home alerts to be received by a destination profile (predefined or user-defined). A Call Home alert is sent to e-mail destinations in a destination profile only if that Call Home alert belongs to one of the alert groups associated with that destination profile.

Using the predefined Call Home alert groups you can generate notification messages when certain events occur on the switch. You can customize predefined alert groups to execute additional **show** commands when specific events occur and to notify you of output other than from the predefined **show** commands.

Customized Alert Group Messages

An alert group is a predefined subset of Call Home alerts supported in all switches in the Cisco MDS 9000 Series and Cisco Nexus 5000 Series switches. Alert groups allow you to select the set of Call Home alerts to be received by a destination profile (predefined or user-defined). The predefined Call Home alert groups generate notification messages when certain events occur on the switch. You can customize predefined alert groups to execute additional show commands when specific events occur.

The output from these additional **show** commands is included in the notification message along with the output of the predefined **show** commands.

Call Home Message Level Feature

The Call Home message level feature allows you to filter messages based on their level of urgency. Each destination profile (predefined and user-defined) is associated with a Call Home message level threshold. Any message with a value lower than the urgency threshold is not sent. Call Home severity levels are not the same as system message logging severity levels.

Syslog-Based Alerts

You can configure the switch to send certain syslog messages as Call Home messages. The messages are sent based on the mapping between the destination profile and the alert group mapping, and on the severity level of the generated syslog message.

To receive a syslog-based Call Home alert, you must associate a destination profile with the syslog alert groups (currently there is only one syslog alert group—syslog-group-port) and configure the appropriate message level.

The syslog-group-port alert group selects syslog messages for the port facility. The Call Home application maps the syslog severity level to the corresponding Call Home severity level (see [Table 8: Event Triggers , on page 54](#)). For example, if you select level 5 for the Call Home message level, syslog messages at levels 0, 1, and 2 are included in the Call Home log.

Whenever a syslog message is generated, the Call Home application sends a Call Home message depending on the mapping between the destination profile and the alert group mapping and based on the severity level of the generated syslog message. To receive a syslog-based Call Home alert, you must associate a destination profile with the syslog alert groups (currently there is only one syslog alert group—syslog-group-port) and configure the appropriate message level (see [Table 8: Event Triggers , on page 54](#)).



Note

Call Home does not change the syslog message level in the message text. The syslog message texts in the Call Home log appear as they are described in the *Cisco MDS 9000 Series System Messages* Reference.

RMON-Based Alerts

You can configure the switch to send Call Home notifications corresponding to RMON alert triggers. All RMON-based Call Home messages have their message level set to NOTIFY (2). The RMON alert group is defined for all RMON-based Call Home alerts. To receive an RMON-based Call Home alert, you must associate a destination profile with the RMON alert group.

General E-Mail Options Using HTTPS Support

The HTTPS support for Call Home provides a transport method called HTTP. HTTPS support is used for a secure communication, and HTTP is used for nonsecure communication. You can configure an HTTP URL for the Call Home destination profile as a destination. The URL link can be from a secure server or nonsecure server. For a destination profile configured with the HTTP URL, the Call Home message is posted to the HTTP URL link.



Note The Call Home HTTP configuration can be distributed over CFS on the switches running NX-OS Release 4.2(1) and later. The Call Home HTTP configuration cannot be distributed to switches that support the nondistributable HTTP configuration. Switches running lower versions than NX-OS Release 4.2(1) and later will ignore the HTTP configuration.

Multiple SMTP Server Support

Cisco MDS NX-OS and Cisco NX-OS 5000 Series switches support multiple SMTP servers for Call Home. Each SMTP server has a priority configured between 1 and 100, with 1 being the highest priority and 100 being the lowest. If the priority is not specified, a default value of 50 is used.

You can configure up to five SMTP servers for Call Home. The servers are contacted based on their priority. The highest priority server is contacted first. If the message fails to be sent, the next server in the list is contacted until the limit is exhausted. If two servers have equal priority, the one that was configured earlier is contacted.

If a high-priority SMTP server fails, the other servers will be contacted. A time delay may occur while sending a message. The delay is minimal if the attempt to send the message through the first SMTP server is successful. The delay may increase depending on the number of unsuccessful attempts with different SMTP servers.



Note The new configuration process is not related to the old configuration. However, if the SMTP servers are configured using both the old and new schemes, the older configuration is of the highest priority.

Multiple SMTP servers can be configured on any MDS 9000 Series switch, Cisco Nexus 5000 Series switches, and Cisco Nexus 7000 Series switches running Release 5.0(1a) or later.

The new configuration will only be distributed to switches that have multiple SMTP servers. The older switches in the fabric will ignore the new configuration received over CFS.

In a mixed fabric that has CFS enabled, the switches running NX-OS Release 5.0 can configure new functionalities and distribute the new configuration to other switches with Release 5.0 in the fabric over CFS. However, if an existing switch running NX-OS Release 4.x upgrades to Release 5.0, the new configurations

will not be distributed to that switch as a CFS merge is not triggered on an upgrade. There are two options to upgrade:

- Apply new configuration only when all the switches in the fabric support them (Recommended option)
- Do an empty commit from an existing NX-OS Release 5.0 switch which has the new configuration

Periodic Inventory Notification

You can configure the switch to periodically send a message with an inventory of all software services currently enabled and running on the switch along with hardware inventory information. The inventory is modified each time the switch is restarted nondisruptively.

Duplicate Message Throttle

You can configure a throttling mechanism to limit the number of Call Home messages received for the same event. If the same message is sent multiple times from the switch within a short period of time, you may be swamped with a large number of duplicate messages.

Call Home Configuration Distribution

You can enable fabric distribution for all Cisco MDS 9000 Series switches and Cisco Nexus 5000 Series switches in the fabric. When you perform Call Home configurations, and distribution is enabled, that configuration is distributed to all the switches in the fabric. However, the switch priority and the Syscontact names are not distributed.

You automatically acquire a fabric-wide lock when you enter the first configuration command operation after you enable distribution in a switch. The Call Home application uses the effective and pending database model to store or commit the configuration changes. When you commit the configuration changes, the effective database is overwritten by the configuration changes in the pending database and all the switches in the fabric receive the same configuration. After making the configuration changes, you can choose to discard the changes by aborting the changes instead of committing them. In either case, the lock is released. See [Using the CFS Infrastructure, on page 7](#) for more information on the CFS application.



Note The switch priority and the Syscontact name are not distributed.

Fabric Lock Override

If you have performed a Call Home task and have forgotten to release the lock by either committing or discarding the changes, an administrator can release the lock from any switch in the fabric. If the administrator performs this task, your changes to the pending database are discarded and the fabric lock is released.



Tip The changes are only available in the volatile directory and are subject to being discarded if the switch is restarted.

Clearing Call Home Name Server Database

When the Call Home name server database is full, a new entry cannot be added. The device is not allowed to come online. To clear the name server database, increase the database size or perform a cleanup by removing unused devices. A total of 20,000 name server entries are supported.

EMC E-mail Home Delayed Traps

DCNM-SAN can be configured to generate EMC E-mail Home XML e-mail messages. In SAN-OS Release 3.x or earlier, DCM-SAN listens to interface traps and generates EMC E-mail Home e-mail messages. Link traps are generated when an interface goes to down from up or vice versa. For example, if there is a scheduled server reboot, the link goes down and DCM-SAN generates an e-mail notification.

Cisco NX-OS Release 4.1(3) provides the ability to generate a delayed trap so that the number of generated e-mail messages is reduced. This method filters server reboots and avoids generating unnecessary EMC E-mail Home e-mail messages. In NX-OS Release 4.1(3), users have the ability to select the current existing feature or this new delayed trap feature.

Event Triggers

This section discusses Call Home trigger events. Trigger events are divided into categories, with each category assigned CLI commands to execute when the event occurs. The command output is included in the transmitted message. [Table 8: Event Triggers](#), on page 54 lists the trigger events.

Table 8: Event Triggers

Event	Alert Group	Event Name	Description	Call Home Message Level
Call Home	System and CISCO_TAC	SW_CRASH	A software process has crashed with a stateless restart, indicating an interruption of a service.	5
Call Home	System and CISCO_TAC	CRASH_PROC	A software process has crashed with a stateless restart, indicating an interruption of a service.	5
	System and CISCO_TAC	SW_SYSTEM_INCONSISTENT	Inconsistency detected in software or file system.	5
	Environmental and CISCO_TAC	TEMPERATURE_ALARM	Thermal sensor indicates temperature reached operating threshold.	6
	Environmental and CISCO_TAC	POWER_SUPPLY_FAILURE	Power supply failed.	6
	Environmental and CISCO_TAC	FAN_FAILURE	Cooling fan has failed.	5

Event	Alert Group	Event Name	Description	Call Home Message Level
	Line Card Hardware and CISCO_TAC	LINECARD_FAILURE	Line card hardware operation failed.	7
	Line Card Hardware and CISCO_TAC	POWER_UP_DIAGNOSTICS_FAILURE	Line card hardware failed power-up diagnostics.	7
	Line Card Hardware and CISCO_TAC	PORT_FAILURE	Hardware failure of interface port(s).	6
	Line Card Hardware, Supervisor Hardware, and CISCO_TAC	BOOTFLASH_FAILURE	Failure of boot compact flash card.	6
	Supervisor Hardware and CISCO_TAC	NVRAM_FAILURE	Hardware failure of NVRAM on supervisor hardware.	6
	Supervisor Hardware and CISCO_TAC	FREEDISK_FAILURE	Free disk space is below a threshold on supervisor hardware.	6
	Supervisor Hardware and CISCO_TAC	SUP_FAILURE	Supervisor hardware operation failed. Note When the active supervisor is removed, a switch over occurs. A call home notification for this event will not be sent.	7
		POWER_UP_DIAGNOSTICS_FAILURE	Supervisor hardware failed power-up diagnostics.	7
	Supervisor Hardware and CISCO_TAC	INBAND_FAILURE	Failure of in-band communications path.	7
	Supervisor Hardware and CISCO_TAC	EOBC_FAILURE	Ethernet out-of-band channel communications failure.	6
Call Home	Supervisor Hardware and CISCO_TAC	MGMT_PORT_FAILURE	Hardware failure of management Ethernet port.	5
	License	LICENSE_VIOLATION	Feature in use is not licensed, and are turned off after grace period expiration.	6

Event	Alert Group	Event Name	Description	Call Home Message Level
Inventory	Inventory and CISCO_TAC	COLD_BOOT	Switch is powered up and reset to a cold boot sequence.	2
		HARDWARE_INSERTION	New piece of hardware inserted into the chassis.	2
		HARDWARE_REMOVAL	Hardware removed from the chassis.	2
Test	Test and CISCO_TAC	TEST	User generated test.	2
Port syslog	Syslog-group-port	SYSLOG_ALERT	Syslog messages corresponding to the port facility.	2
RMON	RMON	RMON_ALERT	RMON alert trigger messages.	2

Call Home Message Levels

Table 9: Event Categories and Executed Commands

Event Category	Description	Executed Commands
System show module show version show tech-support platform show tech-support sysmgr show hardware show sprom all	Events generated by failure of a software system that is critical to unit operation.	show tech-support show system redundancy status
Environmental show module show version show environment show logging logfile tail -n 200	Events related to power, fan, and environment sensing elements such as temperature alarms.	show modules show environment

Event Category	Description	Executed Commands
Line Card Hardware show module show version show tech-support platform show tech-support sysmgr show hardware show sprom all	Events related to standard or intelligent line card hardware.	show tech-support
Supervisor Hardware show module show version show tech-support platform show tech-support sysmgr show hardware show sprom all	Events related to supervisor modules.	show tech-support
Inventory show module show version show hardware show inventory show system uptime show sprom all show license usage	Inventory status is provided whenever a unit is cold booted, or when FRUs are inserted or removed. This is considered a noncritical event, and the information is used for status and entitlement.	show version
Test show module show version	User generated test message.	show version

Call Home messages (sent for syslog alert groups) have the syslog severity level mapped to the Call Home message level (see the [Syslog-Based Alerts, on page 51](#)).

This section discusses the severity levels for a Call Home message when using one or more switches in the Cisco MDS 9000 Series and the Cisco Nexus 5000 Series. Call Home message levels are preassigned per event type.

Severity levels range from 0 to 9, with 9 having the highest urgency. Each syslog level has keywords and a corresponding syslog level as listed in [Table 10: Severity and Syslog Level Mapping, on page 58](#).



Note Call Home does not change the syslog message level in the message text. The syslog message texts in the Call Home log appear as they are described in the *Cisco MDS 9000 Series System Messages* Reference.



Note Call Home severity levels are not the same as system message logging severity levels (see the *Cisco MDS 9000 Series System Messages* Reference).

Table 10: Severity and Syslog Level Mapping

Call Home Level	Keyword Used	Syslog Level	Description
Catastrophic (9)	Catastrophic	N/A	Network wide catastrophic failure.
Disaster (8)	Disaster	N/A	Significant network impact.
Fatal (7)	Fatal	Emergency (0)	System is unusable.
Critical (6)	Critical	Alert (1)	Critical conditions, immediate attention needed.
Major (5)	Major	Critical (2)	Major conditions.
Minor (4)	Minor	Error (3)	Minor conditions.
Warning (3)	Warning	Warning (4)	Warning conditions.
Notify (2)	Notification	Notice (5)	Basic notification and informational messages. Possibly independently insignificant.
Normal (1)	Normal	Information (6)	Normal event signifying return to normal state.
Debug (0)	Debugging	Debug (7)	Debugging messages.

Message Contents

The following contact information can be configured on the switch:

- Name of the contact person
- Phone number of the contact person
- E-mail address of the contact person
- Mailing address to which replacement parts must be shipped, if required
- Site ID of the network where the site is deployed
- Contract ID to identify the service contract of the customer with the service provider

[Table 11: Short Text Messages](#), on page 59 describes the short text formatting option for all message types.

Table 11: Short Text Messages

Data Item	Description
Device identification	Configured device name
Date/time stamp	Time stamp of the triggering event
Error isolation message	Plain English description of triggering event
Alarm urgency level	Error level such as that applied to system message

Table 12: Reactive Event Message Format , on page 59, Table 13: Inventory Event Message Format , on page 62, and Table 14: User-Generated Test Message Format , on page 64 display the information contained in plain text and XML messages.

Table 12: Reactive Event Message Format

Data Item(Plain text and XML)	Description(Plain text and XML)	XML Tag (XML only)
Time stamp	Date and time stamp of event in ISO time notation: <i>YYYY-MM-DDTHH:MM:SS</i> . Note The time zone or daylight savings time (DST) offset from UTC has already been added or subtracted. T is the hardcoded limiter for the time.	/mml/header/time - ch:EventTime
Message name	Name of message. Specific event names are listed in the Event Triggers, on page 54 .	/mml/header/name
Message type	Specifically “Call Home.”	/mml/header/type - ch:Type
Message group	Specifically “reactive.”	/mml/header/group
Severity level	Severity level of message (see Table 10: Severity and Syslog Level Mapping , on page 58).	/mml/header/level - aml-block:Severity
Source ID	Product type for routing.	/mml/header/source - ch:Series

Data Item(Plain text and XML)	Description(Plain text and XML)	XML Tag (XML only)
Device ID	<p>Unique device identifier (UDI) for end device generating message. This field should empty if the message is non-specific to a fabric switch. Format is <i>type@Sid@serial</i>, where:</p> <ul style="list-style-type: none"> • <i>type</i> is the product model number from backplane SEEPROM. • <i>@</i> is a separator character. • <i>Sid</i> is “C,” identifying the serial ID as a chassis serial number. • <i>serial</i> is the number identified by the Sid field. <p>Example: DS-C9509@C@12345678</p>	/mml/ header/deviceId
Customer ID	Optional user-configurable field used for contract info or other ID by any support service.	/mml/header/customerID - ch:CustomerId
Contract ID	Optional user-configurable field used for contract info or other ID by any support service.	/mml/header/contractId - ch:ContractId>
Site ID	Optional user-configurable field used for Cisco-supplied site ID or other data meaningful to alternate support service.	/mml/header/siterId - ch:SiteId
Server ID	<p>If the message is generated from the fabric switch, it is the unique device identifier (UDI) of the switch.</p> <p>Format is <i>type@Sid@serial</i> , where:</p> <ul style="list-style-type: none"> • <i>type</i> is the product model number from backplane SEEPROM. • <i>@</i> is a separator character. • <i>Sid</i> is “C,” identifying the serial ID as a chassis serial number. • <i>serial</i> is the number identified by the Sid field. <p>Example: DS-C9509@C@12345678</p>	/mml/header/serverId - -blank-
Message description	Short text describing the error.	/mml/body/msgDesc - ch:MessageDescription
Device name	Node that experienced the event. This is the host name of the device.	/mml/body/sysName - ch:SystemInfo/Name
Contact name	Name of person to contact for issues associated with the node experiencing the event.	/mml/body/sysContact - ch:SystemInfo/Contact

Data Item(Plain text and XML)	Description(Plain text and XML)	XML Tag (XML only)
Contact e-mail	E-mail address of person identified as contact for this unit.	/mml/body/sysContacte-mail - ch:SystemInfo/Contacte-mail
Contact phone number	Phone number of the person identified as the contact for this unit.	/mml/body/sysContactPhoneNumber - ch:SystemInfo/ContactPhoneNumber
Street address	Optional field containing street address for RMA part shipments associated with this unit.	/mml/body/sysStreetAddress - ch:SystemInfo/StreetAddress
Model name	Model name of the switch. This is the specific model as part of a product Series name.	/mml/body/chassis/name - rme:Chassis/Model
Serial number	Chassis serial number of the unit.	/mml/body/chassis/serialNo - rme:Chassis/SerialNumber
Chassis part number	Top assembly number of the chassis.	/mml/body/fru/partNo - rme:chassis/Card/PartNumber
Chassis hardware version	Hardware version of chassis.	/mml/body/chassis/hwVersion - rme:Chassis/HardwareVersion
Supervisor module software version	Top level software version.	/mml/body/fru/swVersion - rme:chassis/Card/SoftwareIdentity
Affected FRU name	Name of the affected FRU generating the event message.	/mml/body/fru/name - rme:chassis/Card/Model
Affected FRU serial number	Serial number of affected FRU.	/mml/body/fru/serialNo - rme:chassis/Card/SerialNumber
Affected FRU part number	Part number of affected FRU.	/mml/body/fru/partNo - rme:chassis/Card/PartNumber
FRU slot	Slot number of FRU generating the event message.	/mml/body/fru/slot - rme:chassis/Card/LocationWithinContainer
FRU hardware version	Hardware version of affected FRU.	/mml/body/fru/hwVersion - rme:chassis/Card/SoftwareIdentity
FRU software version	Software version(s) running on affected FRU.	/mml/body/fru/swVersion - rme:chassis/Card/SoftwareIdentity
Command output name	The exact name of the issued command.	/mml/attachments/attachment/name - aml-block:Attachment/Name
Attachment type	Specifically command output.	/mml/attachments/attachment/type - aml-block:Attachment type
MIME type	Normally text or plain or encoding type.	/mml/attachments/attachment/mime - aml-block:Attachment/Data encoding

Data Item(Plain text and XML)	Description(Plain text and XML)	XML Tag (XML only)
Command output text	Output of command automatically executed Table 9: Event Categories and Executed Commands , on page 56).	/mml/attachments/attachment/atdata - aml-block:Attachment/Data

Table 13: Inventory Event Message Format

Data Item(Plain text and XML)	Description(Plain text and XML)	XML Tag(XML only)
Time stamp	Date and time stamp of event in ISO time notation: <i>YYYY-MM-DDTHH:MM:SS</i> . Note The time zone or daylight savings time (DST) offset from UTC has already been added or subtracted. T is the hardcoded limiter for the time.	/mml/header/time - ch:EventTime
Message name	Name of message. Specifically “Inventory Update” Specific event names are listed in the Event Triggers , on page 54.	/mml/header/name
Message type	Specifically “Inventory Update.”	/mml/header/type - ch-inv:Type
Message group	Specifically “proactive.”	/mml/header/group
Severity level	Severity level of inventory event is level 2 (see Table 10: Severity and Syslog Level Mapping , on page 58).	/mml/header/level - aml-block:Severity
Source ID	Product type for routing at Cisco. Specifically “MDS 9000.”	/mml/header/source - ch-inv:Series
Device ID	Unique Device Identifier (UDI) for end device generating message. This field should empty if the message is non-specific to a fabric switch. Format is <i>type@Sid@serial</i> , where: <ul style="list-style-type: none"> • <i>type</i> is the product model number from backplane SEEPROM. • <i>@</i> is a separator character. • <i>Sid</i> is “C,” identifying the serial ID as a chassis serial number. • <i>serial</i> is the number identified by the Sid field. Example: DS-C9509@C@12345678	/mml/ header /deviceId
Customer ID	Optional user-configurable field used for contact info or other ID by any support service.	/mml/header/customerID - ch-inv:CustomerId

Data Item(Plain text and XML)	Description(Plain text and XML)	XML Tag(XML only)
Contract ID	Optional user-configurable field used for contact info or other ID by any support service.	/mml/header/contractId - ch-inv:ContractId>
Site ID	Optional user-configurable field, can be used for Cisco-supplied site ID or other data meaningful to alternate support service.	/mml/header/siteId - ch-inv:SiteId
Server ID	If the message is generated from the fabric switch, it is the Unique device identifier (UDI) of the switch. Format is <i>type@Sid@serial</i> , where: <ul style="list-style-type: none"> <i>type</i> is the product model number from backplane SEEPROM. <i>@</i> is a separator character. <i>Sid</i> is “C,” identifying the serial ID as a chassis serial number. <i>serial</i> is the number identified by the Sid field. Example: DS-C9509@C@12345678	/mml/header/serverId - -blank-
Message description	Short text describing the error.	/mml/body/msgDesc - ch-inv:MessageDescription
Device name	Node that experienced the event.	/mml/body/sysName - ch-inv:SystemInfo/Name
Contact name	Name of person to contact for issues associated with the node experiencing the event.	/mml/body/sysContact - ch-inv:SystemInfo/Contact
Contact e-mail	E-mail address of person identified as contact for this unit.	/mml/body/sysContacte-mail - ch-inv:SystemInfo/Contacte-mail
Contact phone number	Phone number of the person identified as the contact for this unit.	/mml/body/sysContactPhoneNumber - ch-inv:SystemInfo/ContactPhoneNumber
Street address	Optional field containing street address for RMA part shipments associated with this unit.	/mml/body/sysStreetAddress - ch-inv:SystemInfo/StreetAddress
Model name	Model name of the unit. This is the specific model as part of a product Series name.	/mml/body/chassis/name - rme:Chassis/Model
Serial number	Chassis serial number of the unit.	/mml/body/chassis/serialNo - rme:Chassis/SerialNumber
Chassis part number	Top assembly number of the chassis.	/mml/body/fru/partNo - rme:chassis/Card/PartNumber
Chassis hardware version	Hardware version of chassis.	/mml/body/fru/hwVersion - rme:chassis/Card/SoftwareIdentity

Data Item(Plain text and XML)	Description(Plain text and XML)	XML Tag(XML only)
Supervisor module software version	Top level software version.	/mml/body/fru/swVersion - rme:chassis/Card/SoftwareIdentity
FRU name	Name of the affected FRU generating the event message.	/mml/body/fru/name - rme:chassis/Card/Model
FRU s/n	Serial number of FRU.	/mml/body/fru/serialNo - rme:chassis/Card/SerialNumber
FRU part number	Part number of FRU.	/mml/body/fru/partNo - rme:chassis/Card/PartNumber
FRU slot	Slot number of FRU.	/mml/body/fru/slot - rme:chassis/Card/LocationWithinContainer
FRU hardware version	Hardware version of FRU.	/mml/body/fru/hwVersion - rme:chassis/Card/SoftwareIdentity
FRU software version	Software version(s) running on FRU.	/mml/body/fru/swVersion - rme:chassis/Card/SoftwareIdentity
Command output name	The exact name of the issued command.	/mml/attachments/attachment/name - aml-block:Attachment/Name
Attachment type	Specifically command output.	/mml/attachments/attachment/type - aml-block:Attachment type
MIME type	Normally text or plain or encoding type.	/mml/attachments/attachment/mime - aml-block:Attachment/Data encoding
Command output text	Output of command automatically executed after event categories (see Event Triggers, on page 54).	/mml/attachments/attachment/atdata - aml-block:Attachment/Data

Table 14: User-Generated Test Message Format

Data Item(Plain text and XML)	Description(Plain text and XML)	XML Tag(XML only)
Time stamp	Date and time stamp of event in ISO time notation: <i>YYYY-MM-DDTHH:MM:SS</i> . Note The time zone or daylight savings time (DST) offset from UTC has already been added or subtracted. T is the hardcoded limiter for the time.	/mml/header/time - ch:EventTime
Message name	Name of message. Specifically test message for test type message. Specific event names listed in the Event Triggers, on page 54 .	/mml/header/name
Message type	Specifically “Test Call Home.”	/mml/header/type - ch:Type

Data Item(Plain text and XML)	Description(Plain text and XML)	XML Tag(XML only)
Message group	This field should be ignored by the receiving Call Home processing application, but may be populated with either “proactive” or “reactive.”	/mml/header/group
Severity level	Severity level of message, test Call Home message (see Table 10: Severity and Syslog Level Mapping , on page 58).	/mml/header/level - aml-block:Severity
Source ID	Product type for routing.	/mml/header/source - ch:Series
Device ID	<p>Unique device identifier (UDI) for end device generating message. This field should empty if the message is nonspecific to a fabric switch. Format is <i>type@Sid@serial</i>, where:</p> <ul style="list-style-type: none"> • <i>type</i> is the product model number from backplane SEEPROM. • <i>@</i> is a separator character. • <i>Sid</i> is “C” identifying the serial ID as a chassis serial number. • <i>serial</i> is the number identified by the Sid field. <p>Example: DS-C9509@C@12345678</p>	/mml/ header /deviceId
Customer ID	Optional user-configurable field used for contract info or other ID by any support service.	/mml/header/customerID - ch:CustomerId
Contract ID	Optional user-configurable field used for contract info or other ID by any support service.	/mml/header/contractId - ch:ContractId
Site ID	Optional user-configurable field used for Cisco-supplied site ID or other data meaningful to alternate support service.	/mml/header/siterId - ch:SiteId
Server ID	<p>If the message is generated from the fabric switch, it is the Unique device identifier (UDI) of the switch.</p> <p>Format is <i>type@Sid@serial</i>, where:</p> <ul style="list-style-type: none"> • <i>type</i> is the product model number from backplane SEEPROM. • <i>@</i> is a separator character. • <i>Sid</i> is “C” identifying the serial ID as a chassis serial number. • <i>serial</i> is the number identified by the Sid field. <p>Example: “DS-C9509@C@12345678</p>	/mml/header/serverId - -blank-
Message description	Short text describing the error.	/mml/body/msgDesc - ch:MessageDescription

Data Item(Plain text and XML)	Description(Plain text and XML)	XML Tag(XML only)
Device name	Switch that experienced the event.	/mml/body/sysName - ch:SystemInfo/Name
Contact name	Name of person to contact for issues associated with the node experiencing the event.	/mml/body/sysContact - ch:SystemInfo/Contact
Contact e-mail	E-mail address of person identified as contact for this unit.	/mml/body/sysContacte-mail - ch:SystemInfo/Contacte-mail
Contact phone number	Phone number of the person identified as the contact for this unit.	/mml/body/sysContactPhoneNumber - ch:SystemInfo/ContactPhoneNumber
Street address	Optional field containing street address for RMA part shipments associated with this unit.	/mml/body/sysStreetAddress - ch:SystemInfo/StreetAddress
Model name	Model name of the switch. This is the specific model as part of a product Series name.	/mml/body/chassis/name - rme:Chassis/Model
Serial number	Chassis serial number of the unit.	/mml/body/chassis/serialNo - rme:Chassis/SerialNumber
Chassis part number	Top assembly number of the chassis. For example, 800-xxx-xxxx.	/mml/body/fru/partNo - rme:chassis/Card/PartNumber
Command output text	Output of command automatically executed after event categories listed in Table 9: Event Categories and Executed Commands , on page 56.	/mml/attachments/attachment/atdata - aml-block:Attachment/Data
MIME type	Normally text or plain or encoding type.	/mml/attachments/attachment/mime - aml-block:Attachment/Data encoding
Attachment type	Specifically command output.	/mml/attachments/attachment/type - aml-block:Attachment type
Command output name	The exact name of the issued command.	/mml/attachments/attachment/name - aml-block:Attachment/Name

Guidelines and Limitations

Call Home Database Merger Guidelines

When merging two Call Home databases, follow these guidelines:

- Be aware that the merged database contains the following information:
 - A superset of all the destination profiles from the dominant and subordinate switches that take part in the merge protocol.

- The e-mail addresses and alert groups for the destination profiles.
- Other configuration information (for example, message throttling, periodic inventory) from the switch that existed in the dominant switch before the merge.

See the [CFS Merge Support, on page 11](#) for detailed concepts.

Call Home Configuration Guidelines

When configuring Call Home, follow these guidelines:

- An e-mail server and at least one destination profile (predefined or user-defined) must be configured. The destination profiles used depends on whether the receiving entity is a pager, e-mail, or automated service such as Cisco Smart Call Home.
- Switches can forward events (SNMP traps/informs) up to 10 destinations.
- The contact name (SNMP server contact), phone, and street address information must be configured before Call Home is enabled. This configuration is required to determine the origin of messages received.
- The Cisco MDS 9000 Series switch and the Cisco Nexus 5000 Series switch must have IP connectivity to an e-mail server.
- If Cisco Smart Call Home is used, an active service contract must cover the device being configured.

Default Settings

[Table 15: Default Call Home Default Settings , on page 67](#) lists the default Call Home settings.

Table 15: Default Call Home Default Settings

Parameters	Default
Destination message size for a message sent in full text format.	500,000
Destination message size for a message sent in XML format.	500,000
Destination message size for a message sent in short text format.	4000
DNS or IP address of the SMTP server to reach the server if no port is specified.	25
Alert group association with profile.	All
Format type.	XML
Call Home message level.	0 (zero)
HTTP proxy server use.	Disabled and no proxy server configured.
HTTP proxy server message size for full text destination.	1 MB

Parameters	Default
HTTP proxy server message size for XML.	1 MB

Configuring Call Home

Task Flow for Configuring Call Home

Follow these steps to configure Call Home:

Procedure

-
- Step 1** Configure contact information.
 - Step 2** Enable or disable Call Home.
 - Step 3** Configure destination profiles.
 - Step 4** Associate one or more alert groups to each profile as required by your network. Customize the alert groups, if desired.
 - Step 5** Configure e-mail options.
 - Step 6** Test Call Home messages.
-

Configuring Contact Information

Switch priority is specific to each switch in the fabric. This priority is used by the operations personnel or TAC support personnel to decide which Call Home message they should respond to first. You can prioritize Call Home alerts of the same severity from each switch.

To assign the contact information, follow these steps:

Before you begin

Each switch must include e-mail, phone, and street address information. You can optionally include the contract ID, customer ID, site ID, and switch priority information.

Procedure

-
- Step 1** Enter configuration mode:
switch# **configure terminal**
 - Step 2** Configure the SNMP contact name:
switch(config)# **snmp-server contact personname@companyname.com**
 - Step 3** Enter the Call Home configuration submode:

```
switch(config)# callhome
```

```
switch(config-callhome)#
```

- Step 4** Assign the customer's e-mail address. Up to 128 alphanumeric characters are accepted in e-mail address format:

```
switch(config-callhome)# e-mail-contact username@company.com
```

Note You can use any valid e-mail address. You cannot use spaces.

- Step 5** Assign the customer's phone number. Up to 20 alphanumeric characters are accepted in international format:

```
switch(config-callhome)# phone-contact +1-800-123-4567
```

Note You cannot use spaces. Be sure to use the + prefix before the number.

- Step 6** Assign the customer's street address where the equipment is located. Up to 256 alphanumeric characters are accepted in free format:

```
switch(config-callhome)# streetaddress 1234 Picaboo Street, Any city, Any state, 12345
```

- Step 7** Assign the switch priority, with 0 being the highest priority and 7 the lowest:

```
switch(config-callhome)# switch-priority 0
```

Tip Use this field to create a hierarchical management structure.

- Step 8** (Optional) Identify the customer ID:

```
switch(config-callhome)# customer-id Customer1234
```

Up to 256 alphanumeric characters are accepted in free format.

- Step 9** (Optional) Identify the customer site ID:

```
switch(config-callhome)# site-id Site1ManhattanNY
```

Up to 256 alphanumeric characters are accepted in free format.

- Step 10** Assign the customer ID for the switch:

```
switch(config-callhome)# contract-id Company1234
```

Up to 64 alphanumeric characters are accepted in free format.

Configuring Contact Information Using DCNM-SAN

To assign the contact information using DCNM-SAN, follow these steps:

Procedure

- Step 1** Expand **Events** and select **Call Home** from the Physical Attributes pane.
You see the Call Home tabs in the Information pane.

- Step 2** In Device Manager, click **Admin > Events > Call Home**.
- Step 3** Click the **General** tab, then assign contact information and enable the Call Home feature. Call Home is not enabled by default. You must enter an e-mail address that identifies the source of Call Home notifications.
- Step 4** Click the **Destination(s)** tab to configure the destination e-mail addresses for Call Home notifications. You can identify one or more e-mail addresses that will receive Call Home notifications.
- Note** Switches can forward events (SNMP traps/informs) up to 10 destinations.
1. Click the **Create** tab to create a new destination. You will see the create destination window.
 2. Enter the profile name, ID, and type of destination. You can select email or http in the Type field.

If you select email, you can enter the e-mail address in the EmailAddress field. The HttpUrl field is disabled.

If you select http, you can enter the HTTP URL in the HttpUrl field. The EmailAddress field is disabled.
 3. Click **Create** to complete the destination profile creation.
- Step 5** Click the **e-mail Setup** tab to identify the SMTP server. Identify a message server to which your switch has access. This message server will forward the Call Home notifications to the destinations.
- Step 6** In DCNM-SAN, click the **Apply Changes** icon. In Device Manager, click **Apply**.

Enabling Call Home Function

Once you have configured the contact information, you must enable the Call Home function.

To enable the Call Home function, follow these steps:

Procedure

- Step 1** Enter configuration mode:
- ```
switch# configure terminal
```
- Step 2** Enter Call Home configuration submode:
- ```
switch(config)# callhome
```
- Step 3** Enable the Call Home function:
- ```
switch(config-callhome)# enable
```
- Call Home enabled successfully
- Step 4** (Optional) Disable the Call Home function:
- ```
switch(config-callhome)# disable
```
- Note** Even if Call Home is disabled, basic information for each Call Home event is sent.

When you disable the Call Home function, all input events are ignored.

Enabling Call Home Function Using DCNM-SAN

To enable the Call Home function using DCNM-SAN, follow these steps:

Procedure

- Step 1** Select a switch in the Fabric pane.
 - Step 2** Expand **Events** and select **Call Home** in the Physical Attributes pane.
You see the Call Home information in the Information pane.
 - Step 3** Click the **Control** tab.
 - Step 4** Select a switch in the information pane.
 - Step 5** Check the **Duplicate Message Throttle** check box.
 - Step 6** Click the **Apply Changes** icon.
-

Configuring a Destination Profile

A destination profile contains the required delivery information for an alert notification. Destination profiles are typically configured by the network administrator. You can configure the following attributes for a destination profile:

- Profile name—A string that uniquely identifies each user-defined destination profile and is limited to 32 alphanumeric characters. The format options for a user-defined destination profile are full-txt, short-txt, or XML (default).
- Destination address—The actual address, pertinent to the transport mechanism, to which the alert should be sent.
- Message formatting—The message format used for sending the alert (full text, short text, or XML).



Note If you use the Cisco Smart Call Home service, the XML destination profile is required.

To configure predefined destination profile messaging options, follow these steps:



Note Steps 3, 4, and 5 in this procedure can be skipped or configured in any order.

Before you begin

At least one destination profile is required. You can configure multiple destination profiles of one or more types. You can use one of the predefined destination profiles or define a desired profile. If you define a new profile, you must assign a profile name.

Procedure

-
- Step 1** Enter configuration mode:
- ```
switch# configure terminal
```
- Step 2** Enter the Call Home configuration submode:
- ```
switch(config)# callhome  
switch(config-callhome)#
```
- Step 3** Configure an email address or maximum destination message size for the predefined full-txt-destination profile:
- ```
switch(config-callhome)# destination-profile full-txt-destination {e-mail-addr email-address | message-size msg-size-in-bytes}
```
- The e-mail addresses in this destination profile receives messages in full-txt format. The full-text format provides the complete, detailed explanation of the failure.
- Tip** Use a standard e-mail address that does not have any text size restrictions.
- The valid range is 0 to 1,000,000 bytes and the default is 500,000. A value of 0 implies that a message of any size can be sent.
- Note** The maximum size of each individual attachment inside the message is 250,000 bytes. If any attachment is more than this maximum size, then the output captured in the attachment will be truncated.
- Step 4** Configure an e-mail address or maximum destination message size for the predefined short-txt-destination profile:
- ```
switch(config-callhome)# destination-profile short-txt-destination {e-mail-addr email-address | message-size msg-size-in-bytes}
```
- The e-mail addresses in this destination profile receive messages in short-txt format. This format provides the basic explanation of the failure in the Call Home message.
- Tip** Use a pager-related e-mail address for this option.
- The valid range is 0 to 1,000,000 bytes and the default is 4000. A value of 0 implies that a message of any size can be sent.
- Note** The maximum size of each individual attachment inside the message is 250,000 bytes. If any attachment is more than this maximum size, then the output captured in the attachment will be truncated.
- Step 5** Configure an e-mail address or maximum destination message size for the predefined XML-destination profile:


```
switch(config-callhome)# destination-profile XML-destination {e-mail-addr email-address | message-size
msg-size-in-bytes}
```

The e-mail addresses in this destination-profile receives messages in XML format. This format provides information that is compatible with Cisco Systems TAC support.

Tip Do not add a pager-related e-mail address to this destination profile because of the large message size.

The valid range is 0 to 1,000,000 bytes and the default is 500,000. A value of 0 implies that a message of any size can be sent.

Note The maximum size of each individual attachment inside the message is 250,000 bytes. If any attachment is more than this maximum size, then the output captured in the attachment will be truncated.

Configuring a Predefined Destination Profile Using DCNM-SAN

To configure predefined destination profile messaging options using DCNM-SAN, follow these steps:

Procedure

-
- Step 1** Expand **Events** and select **Call Home** in the Physical Attributes pane.
- The **Destination** tab is disabled until you click the **Profiles** tab. The profiles have to be loaded for the destination tab to be populated.
- Step 2** Click the **Profiles** tab in the Information pane.
- You see the Call Home profiles for multiple switches.
- Step 3** Set the profile name, message format, message size, and severity level.
- Step 4** Click in the Alert Groups column and select or remove an alert group.
- Step 5** Click **Apply Changes** icon to create this profile on the selected switches.
-

Configuring a New Destination Profile

To configure a new destination-profile (and related parameters), follow these steps:



Note Steps 4, 5, and 6 in this procedure can be skipped or configured in any order.

Procedure

-
- Step 1** Enter configuration mode:
- ```
switch# configure terminal
```

- Step 2** Enter the Call Home configuration submode:  
switch(config)# **callhome**
- Step 3** Configure a new destination profile called test:  
switch(config-callhome)# **destination-profile test**
- Step 4** Configure the e-mail address for the user-defined destination profile (test) sent in default XML format:  
switch(config-callhome)# **destination-profile test e-mail-addr** *email-address*
- Step 5** Configure a maximum message size for the destination e-mail addresses in the user-defined destination profile (test) sent in default XML format:  
switch(config-callhome)# **destination-profile test message-size** *msg-size*  
The valid range is 0 to 1,000,000 bytes and the default is 500,000. A value of 0 implies that a message of any size can be sent.
- Step 6** Configure message-format for the user-defined destination profile (test) to be full text or short text format:  
switch(config-callhome)# **destination-profile test format** {**full-txt** | **short-txt**}
- 

## Configuring a New Destination Profile Using DCNM-SAN

To configure a new destination-profile (and related parameters) using DCNM-SAN, follow these steps:

### Procedure

---

- Step 1** Expand **Events** and select **Call Home** in the Physical Attributes pane.
- Note** The **Destination** tab is disabled until you click the **Profiles** tab. The profiles have to be loaded for the destination tab to be populated.
- Step 2** Click the **Profiles** tab in the Information pane.  
You see Call Home profiles for multiple switches.
- Step 3** Click the **Create Row** icon to add a new profile.
- Step 4** Set the profile name, message format, size, and severity level.
- Step 5** Click an alert group and select each group that you want sent in this profile.
- Step 6** Click a transport method. You can select **email**, **http** or **emailandhttp**.
- Step 7** Click **Create** to create this profile on the selected switches.
- 

## Associating an Alert Group with a Destination Profile

Different types of Call Home alerts are grouped into different alert groups depending on their type. You can associate one or more alert groups to each profile as required by your network.

The alert group feature allows you to select the set of Call Home alerts to be received by a destination profile (either predefined or user-defined). You can associate multiple alert groups with a destination profile.

To associate an alert group with a destination profile, follow these steps:

### Before you begin

A Call Home alert is sent to e-mail destinations in a destination profile only if that Call Home alert belongs to one of the alert groups associated with that destination profile.

### Procedure

- 
- Step 1** Enter configuration mode:  
switch# **configure terminal**
- Step 2** Enter the Call Home configuration submode:  
switch(config)# **callhome**  
switch(config-callhome)#
- Step 3** (Optional) Configure user-defined destination profile (test1) or predefined short-text destination profile to receive all user-generated Call Home test notifications:  
switch(config-callhome)# **destination-profile {test1 | short-txt-destination} alert-group test**
- Step 4** (Optional) Configure user-defined destination profile (test1) to receive Call Home notifications for all events or predefined short-text destination profile to receive Call Home notifications for default events:  
switch(config-callhome)# **destination-profile {test1 | short-txt-destination} alert-group all**
- Step 5** (Optional) Configure user-defined destination profile (test1) or predefined short-text destination profile to receive Call Home notifications for events that are meant only for Cisco TAC or the auto-notify service:  
switch(config-callhome)# **destination-profile {test1 | xml-destination} alert-group Cisco-TAC**
- Step 6** (Optional) Configure user-defined destination profile (test1) or predefined short-text destination profile to receive Call Home notifications for software crash events:  
switch(config-callhome)# **destination-profile {test1 | xml-destination} alert-group Crash**
- Step 7** (Optional) Configure user-defined destination profile (test1) or predefined short-text destination profile to receive Call Home notifications for power, fan, and temperature-related events:  
switch(config-callhome)# **destination-profile {test1 | short-txt-destination} alert-group environmental**
- Step 8** (Optional) Configure user-defined destination profile (test1) or predefined short-text destination profile to receive Call Home notifications for inventory status events:  
switch(config-callhome)# **destination-profile {test1 | short-txt-destination} alert-group inventory**
- Step 9** (Optional) Configure user-defined destination profile (test1) or predefined short-text destination profile to receive Call Home notifications for licensing events:  
switch(config-callhome)# **destination-profile {test1 | short-txt-destination} alert-group License**

- Step 10** (Optional) Configure user-defined destination profile (test1) or predefined short-text destination profile to receive Call Home notifications for module-related events:
- ```
switch(config-callhome)# destination-profile {test1 | short-txt-destination} alert-group linecard-hardware
```
- Step 11** (Optional) Configure user-defined destination profile (test1) or predefined short-text destination profile to receive Call Home notifications for supervisor-related events:
- ```
switch(config-callhome)# destination-profile {test1 | short-txt-destination} alert-group supervisor-hardware
```
- Step 12** (Optional) Configure user-defined destination profile (test1) or predefined short-text destination profile to receive Call Home notifications for software-related events:
- ```
switch(config-callhome)# destination-profile {test1 | short-txt-destination} alert-group system
```
-

Associating Alert Group Using DCNM-SAN

To associate an alert group with a destination profile using DCNM-SAN, follow these steps:

Procedure

- Step 1** Expand **Events** and select **Call Home** in the Physical Attributes pane.
- Step 2** Click the **Profiles** tab in the Information pane.
- You see the Call Home profiles for multiple switches.
- Step 3** Click the **Alert Groups** column in the row for the profile you want to associate.
- You see the alert groups drop-down menu.
- Step 4** Click an alert group to select it for association.
- Step 5** You see a check next to that alert group.
- To deselect it and remove the check, click it again.
- Step 6** Click the **Apply Changes** icon.
-

Customizing Alert Group Messages

To assign show commands to be executed when an alert is sent, you must associate the commands with the alert group. When an alert is sent, Call Home associates the alert group with an alert type and attaches the output of the show commands to the alert message.



- Note** Make sure the destination profiles for a non-Cisco-TAC alert group, with a predefined show command, and the Cisco-TAC alert group are not the same.
-

To customize Call Home alert group messages, follow these steps:

Before you begin

- You can assign a maximum of five user-defined show commands to an alert group. Only show commands can be assigned to an alert group.
- Customized show commands are only supported for full text and XML alert groups. Short text alert groups (short-txt-destination) do not support customized show commands because they only allow 128 bytes of text.

Procedure

- Step 1** Enter configuration mode:
- ```
switch# configure terminal
```
- Step 2** Enter the Call Home configuration submode:
- ```
switch(config)# callhome  
switch(config-callhome)#
```
- Step 3** Configure a user-defined **show** command for an alert group license:
- ```
switch(config-callhome)# alert-group license user-def-cmd show license usage
```
- Note** Only valid **show** commands are accepted.
- Step 4** (Optional) Remove the user-defined **show** command from the alert group:
- ```
switch(config-callhome)# no alert-group license user-def-cmd show license usage
```
-

Configuring Scripts for Call Home Alerts

Before you begin

Ensure that the script used matches the Cisco MDS switch model. The script must be a tar file with a '.tar' extension.



Caution This functionality is only for use by certain customers. Do not attempt to configure it if you are not approved by Cisco to use it.

Procedure

- Step 1** Install the Call Home script on the switch's supervisor in the bootflash:/scripts directory:
- ```
switch# copy sftp://sftp_server_ip/script_name.tar bootflash:/scripts
```

If there is a redundant supervisor, copy the script to that supervisor also:

```
switch# copy bootflash:/scripts/script_name.tar bootflash://sup-remote/scripts
```

**Step 2** Enter global configuration mode:

```
switch# configure terminal
```

**Step 3** Enter the Call Home configuration submode:

```
switch(config)# callhome
```

**Step 4** Provided Call Home has already been enabled, map the script to the alert type that should trigger it:

```
switch(config-callhome)# alert-group {All | Cisco-TAC | Environmental | Inventory | License |
Linecard-Hardware | RMON | Supervisor-Hardware | Syslog-group-port | System | Test} script-name
script_name.tar
```

**Step 5** Save the current configuration:

```
switch(config-callhome)# copy running-config startup-config
```

## Examples for Configuring Scripts for Call Home Alerts

This example shows how to configure a script for all Call Home alerts:

```
switch# configure terminal
switch(config)# callhome
switch(config-callhome)# alert-group all script-name m9700.tar
```

This example shows the current Call Home configuration:

```
switch#: show running-config callhome
!Time: Sun Jan 1 01:02:03 2017

version 7.3(1)DY(1)
callhome
 email-contact san-admin@my.email.com
 enable
 alert-group all script-name m9700.tar
```

This example shows the script mapping using the **show callhome script-mapping** command:

```
switch# show callhome script-mapping
User configured Script mapping for alert groups :
alert-group all script-name m9700.tar
```

## Customizing Alert Group Messages Using DCNM-SAN

To customize Call Home alert group messages using DCNM-SAN, follow these steps:

### Procedure

---

- Step 1** Expand **Events** and select **Call Home** in the Physical Attributes pane.
  - Step 2** Click the **User Defined Command** tab in the Information pane.  
You see the User Defined Command information.
  - Step 3** Click the **Create Row** icon.
  - Step 4** Check the check boxes in front of the switches from which you want to receive alerts.
  - Step 5** Select the alert grouptype from the Alert Group Type drop-down list.
  - Step 6** Select the ID (1-5) of the CLI command. The ID is used to keep track of the messages.
  - Step 7** Enter the CLI **show** command in the **CLI Command** field.
  - Step 8** Click **Create**.
  - Step 9** Repeat Step 3 through Step 7 for each command you want to associate with the profile.
  - Step 10** Click **Close** to close the dialog box.
- 

## Setting the Call Home Message Levels

To set the message level for each destination profile for Call Home, follow these steps:

### Before you begin

The urgency level ranges from 0 (lowest level of urgency) to 9 (highest level of urgency), and the default is 0 (all messages are sent).

### Procedure

---

- Step 1** Enter configuration mode:  
`switch# configure terminal`
  - Step 2** Enter the Call Home configuration submode:  
`switch(config)# callhome`
  - Step 3** (Optional) Configure the message level urgency as 5 (level) and above for the user-defined profile (test1):  
`switch(config-callhome)# destination-profile test message-level level`
  - Step 4** Remove a previously configured urgency level and reverts it to the default of 0 (all messages are sent):  
`switch(config-callhome)# no destination-profile oldtest message-level level`
- 

## Configuring the Syslog-Based Alerts

To configure the syslog-group-port alert group, follow these steps:

### Procedure

---

- Step 1** Enter configuration mode:  
switch# **configure terminal**
- Step 2** Enter the Call Home configuration submode:  
switch(config)# **callhome**  
switch(config-callhome)#
- Step 3** Configure the predefined destination profile (short-txt-destination) to receive Call Home Notifications corresponding to syslog messages for the port facility:  
switch(config-callhome)# **destination-profile short-txt-destination alert-group syslog-group-port**
- Step 4** (Optional) Configure the predefined destination-profile (short-txt-destination) to send a Call Home message for syslog messages whose severity levels map to Call Home severity level of 5 or greater:  
switch(config-callhome)# **destination-profile short-txt-destination message-level level**  
The default is message level 0 (all syslog messages).
- 

## Configuring the Syslog-Based Alerts Using DCNM-SAN

To configure the syslog-group-port alert group using DCNM-SAN, follow these steps:

### Procedure

---

- Step 1** Select a switch in the Fabric pane.
- Step 2** Expand **Events** and select **Call Home** in the Physical Attributes pane.  
You see the Call Home information in the Information pane.
- Step 3** Click the **Profiles** tab.  
You see the Call Home profiles.
- Step 4** Click the **Create Row** icon.  
You see the Create Call Home Profile dialog box.
- Step 5** Select the switches for which you want to send alerts.
- Step 6** Enter the name of the profile in the Name field.
- Step 7** Choose the message format, message size, and message severity level.
- Step 8** Check the **syslogGroupPort** check box in the AlertGroups section.
- Step 9** Click **Create** to create the profile for the syslog-based alerts.
- Step 10** Close the dialog box.
-



## Configuring RMON Alerts

To configure RMON alert groups, follow these steps:

### Procedure

---

- Step 1** Enter configuration mode:  
switch# **config t**
- Step 2** Enter Call Home configuration submode:  
switch(config)# **callhome**
- Step 3** (Optional) Configure a destination message profile (rmon\_group) to send Call Home notifications for configured RMON messages:  
switch(config-callhome)# **destination-profile**
- 

## Configuring RMON Alerts Using DCNM-SAN

To configure RMON alert groups using DCNM-SAN, follow these steps:

### Procedure

---

- Step 1** Select a switch in the Fabric pane.
- Step 2** Expand **Events** and select **Call Home** in the Physical Attributes pane.  
You will see the Call Home information in the Information pane.
- Step 3** Click the **Profiles** tab.  
You will see the Call Home profiles.
- Step 4** Select the **Create Row** icon.  
You will see the Create Call Home Profile dialog box.
- Step 5** Select switches to send alerts.
- Step 6** Enter the name of the profile.
- Step 7** Select the message format, message size, and message severity level.
- Step 8** Check the **RMON** check box in the AlertGroups section.
- Step 9** Click **Create** to create the profile for the RMON-based alerts.
- Step 10** Close the dialog box.
- 

## Configuring Event Trap Notifications

To configure a Call Home event notification trap (except Call Home periodic messages), follow these steps:

### Procedure

---

- Step 1** Enter configuration mode:  
switch# **configure terminal**
- Step 2** Enter Call Home configuration submode:  
switch(config)# **callhome**
- Step 3** Enable the SNMP notification trap for Call Home:  
switch(config-callhome)# **snmp-server enable**
- 

## Configuring General E-Mail Options

You can configure the from, reply-to, and return-receipt e-mail addresses. While most e-mail address configurations are optional, you must configure the SMTP server address for the Call Home functionality to work.

To configure general e-mail options, follow these steps:

### Procedure

---

- Step 1** Enter configuration mode:  
switch# **configure terminal**
- Step 2** Enter Call Home configuration submode:  
switch(config)# **callhome**
- Step 3** Configure the from e-mail address:  
switch(config-callhome)# **transport**
- Step 4** Configure the reply-to e-mail address to which all responses should be sent:  
switch(config-callhome)# **transport**
- 

## Configuring General E-Mail Options Using DCNM-SAN

To configure general e-mail options using DCNM-SAN, follow these steps:

### Procedure

---

- Step 1** Select a switch in the Fabric pane.

- Step 2** Expand **Events** and select **Call Home** in the Physical Attributes pane.  
You will see the Call Home information in the Information pane.
- Step 3** Click the **e-mail Setup** tab.
- Step 4** Select a switch in the Information pane.
- Step 5** Enter the general e-mail information.
- Step 6** Enter the SMTP server IP address type, IP address or name, and port.
- Step 7** Click the **Apply Changes** icon to update the e-mail options.
- 

## Configuring HTTPS Support

Any predefined or user-defined destination profiles can be configured with the HTTPS URL address. To configure the HTTPS URL address for any destination profile, follow these steps:

### Procedure

---

- Step 1** Enter configuration mode:  
switch# **configure terminal**
- Step 2** Enter Call Home configuration submode:  
switch(config)# **callhome**
- Step 3** (Optional) Configure the predefined full-txt-destination profile with an HTTPS URL address:  
switch(config-callhome)# **destination-profile full-txt-destination http**  
The Call Home message in full-txt format is uploaded at the configured HTTPS URL address.
- Step 4** (Optional) Configure the predefined CiscoTAC-1 profile with an HTTPS URL address:  
switch(config-callhome)# **destination-profile CiscoTAC-1 http**  
The Call Home message in XML format is uploaded at the configured HTTPS URL address.
- Step 5** (Optional) Configure the user-defined destination profile with an HTTPS URL address:  
switch(config-callhome)# **destination-profile test1 http**  
The Call Home message in the configured format is uploaded at the configured HTTPS URL address.
- 

## Enable or Disable Transport Method

Any predefined or user-defined destination profiles can be configured to enable or disable a particular transport method. The transport methods are HTTP and e-mail.

To enable or disable transport method for a destination profile, follow these steps:

### Procedure

---

- Step 1** Enter configuration mode:  
switch# **configure terminal**
- Step 2** Enter Call Home configuration submode:  
switch(config)# **callhome**
- Step 3** (Optional) Enable predefined destination profile CiscoTAC-1 for HTTP transport method:  
switch(config-callhome)# **destination-profile CiscoTAC-1 transport-method http**
- Note** For user-defined destination profiles, e-mail is the default. You can enable either or both transport mechanisms. If you disable both methods, e-mail will be enabled.
- Step 4** (Optional) Disable predefined destination profile CiscoTAC-1 for e-mail transport-method:  
switch(config-callhome)# **no destination-profile CiscoTAC-1 transport-method email**
- Step 5** (Optional) Enable predefined full-txt-destination profile for HTTP transport method:  
switch(config-callhome)# **destination-profile full-txt transport-method http**
- 

## Configuring an HTTP Proxy Server

Beginning with Cisco NX-OS Release 5.2, you can configure Smart Call Home to send HTTP messages through an HTTP proxy server. If you do not configure an HTTP proxy server, Smart Call Home sends HTTP messages directly to the Cisco Transport Gateway (TG).

To configure an HTTP proxy server, follow these steps:

### Procedure

---

- Step 1** Enter configuration mode:  
switch# **configure terminal**
- Step 2** Enter Call Home configuration submode:  
switch(config)# **callhome**
- Step 3** Configure the HTTP proxy server domain name server (DNS) name, IPv4 address, or IPv6 address:  
switch(config-callhome)# **transport http proxy server 192.0.2.1**  
Optionally configures the port number. The port range is from 1 to 65535. The default port number is 8080.
- Step 4** Enable Smart Call Home to send all HTTP messages through the HTTP proxy server:  
switch(config-callhome)# **transport http proxy enable**
- Note** You can execute this command only after the proxy server address has been configured.

**Step 5** (Optional) Display the transport-related configuration for Smart Call Home:

```
switch(config-callhome)# show callhome transport
```

**Note** The default value for full text destination and for XML is 1 MB.

---

## Configuring an HTTP Proxy Server Using DCNM-SAN

To configure a Call Home HTTP proxy server using DCNM-SAN, follow these steps:

### Procedure

---

- Step 1** Select a switch in the Fabric pane.
  - Step 2** Expand **Events**, select **Call Home**, and **HTTP Proxy Server** in the Physical Attributes pane. You will see the Call Home HTTP Proxy Server information in the Information pane.
  - Step 3** Click the **Address Type** tab. The Address Type options are displayed.
  - Step 4** Click the **Address** tab and enter the address of the HTTP proxy server.
  - Step 5** Click the **Port** tab and enter a integer number to specify the port of the HTTP proxy server.
  - Step 6** Check the **Enable** check box to enable the HTTP proxy configured for Call Home.
  - Step 7** (Optional) Set an empty value in the **Address** tab to delete the HTTP proxy server from the MDS switch.
  - Step 8** Choose an address type. You can select ipv4, ipv6, or DNS.

**Note** If the address is empty, then no proxy server is configured.
  - Step 9** Click **Apply** to update HTTP Proxy Server options.
- 

## Configuring Call Home Wizard

### Task Flow for Configuring Call Home Wizard

Follow these steps to configure the Call Home Wizard:

### Procedure

---

- Step 1** Configure contact information.
- Step 2** Configure SMTP information.
- Step 3** Configure the email source and destination information.
- Step 4** Use CFS to populate the configuration data.

**Step 5** Display the status.

---

## Launching Call Home Wizard

To configure Call Home wizard, follow these steps:

### Before you begin

- Enable the global CFS on the switch from DCNM-SAN configuration table.
- Clear the CFS lock on the switch.
- Check the merger status of CFS on the switch. If a merger failure is found, the wizard clears up the merge failure in the backend process while running the wizard.

### Procedure

---

**Step 1** Select a fabric in the logical domain tree.

**Step 2** Select **Tools, Events** and **Call Home**.  
The master switch pane is displayed.

**Step 3** (Optional) You can also launch the Call Home wizard by clicking the **CallHome Wizard** icon in the Call Home **Control** tab.

**Step 4** Select a **Master Switch** and click **Next**.  
The contact information pane is displayed.

**Step 5** Enter the **Contact, Phone Number, Email Address** and the **Street Address** information.

**Note** You must specify all of the four parameters before clicking Next.

**Step 6** Click **Next**.  
The Email Setup pane is displayed.

**Step 7** In the **Email SMTP Servers** tab, enter the **Primary SMTP Server** address.

You can specify up to two SMTP servers if the master switch is version 5.0 or above. However, you cannot specify a secondary SMTP server if the master switch version is below 5.0.

The wizard creates new rows in the SMTP server table.

**Step 8** In the **Destination** tab, click **Add** to enter the Call Home destinations.

You can enter up to three Call Home destinations.

**Step 9** (Optional) Click **Remove** to delete a Call Home destination entry.

**Step 10** From the drop-down list, select **Protocol** and **Profile**.  
The Profile drop-down lists three default profiles: xml, short\_txt and full\_txt.

**Step 11** Click **Finish** to configure the wizard.

All major configuration steps and failures are displayed in the Status Dialog window.

The **Status Dialog** window is displayed.

**Step 12** Click **Run Test** to perform the Call Home test.

- Step 13** Click **Yes** to test the command on all switches in the selected fabric or click **No** to close the window.
- 

## Configuring SMTP Server and Ports

To configure the SMTP server and port, follow these steps:

### Procedure

---

- Step 1** Enter configuration mode:  
switch# **configure terminal**
- Step 2** Enter Call Home configuration submode:  
switch(config)# **callhome**
- Step 3** Configure the DNS, IPv4 address, or IPv6 address of the SMTP server to reach the server:  
switch(config-callhome)# **transport email smtp-server 192.168.1.1**  
switch(config-callhome)# **transport email smtp-server 192.168.1.1 port 30**

The port usage defaults to 25 if no port is specified.

**Note** The port number is optional and, if required, may be changed depending on the server location.

---

## Configuring Multiple SMTP Server Support

To configure multiple SMTP server support, follow these steps:

### Procedure

---

- Step 1** Enter configuration mode:  
switch# **configure terminal**
- Step 2** Enter Call Home configuration submode:  
switch(config)# **callhome**
- Step 3** Use one of the following commands:
- Distribute the SMTP server configuration to devices running software releases prior to NX-OS Release 5.0 and earlier:  
switch(config-callhome)# **transport email smtp-server**
  - Distribute multiple SMTP server capability:

```
switch(config-callhome)# [no] transport email mail-server {ipv4 | IPV6 | hostname} [port number]
[priority number]
```

---

Based on the configuration above, the SMTP servers would be contacted in this order:

10.1.1.174 (priority 0)

192.0.2.10 (priority 4)

172.21.34.193 (priority 50 - default)

64.72.101.213 (priority 60)

The **transport email mail-server** command is distributed only to devices running Cisco NX-OS Release 5.0(1a) or later. The **transport email smtp-server** command is distributed only to devices running earlier software releases.

## Enabling Periodic Inventory Notifications

When you enable this feature without configuring an interval value, the Call Home message is sent every 7 days. This value ranges from 1 to 30 days. By default, this feature is disabled in all switches in the Cisco MDS 9000 Series and Cisco Nexus 5000 Series switches.

To enable periodic inventory notification in a Cisco MDS 9000 Series switch or a Cisco Nexus 5000 Series switch, follow these steps:

### Procedure

---

- Step 1** Enter configuration mode:
- ```
switch# configure terminal
```
- Step 2** Enter the Call Home configuration submode:
- ```
switch(config)# callhome
```
- Step 3** Enable the periodic inventory notification feature:
- ```
switch(config-callhome)# periodic-inventory notification
```
- Disable the periodic inventory notification feature (default):
- ```
switch(config-callhome)# no periodic-inventory notification
```
- By default, the Call Home message is sent every 7 days.
- Step 4** Configure the periodic inventory notification message to be sent every 15 days:
- ```
switch(config-callhome)# periodic-inventory notification interval 15
```
- Default to using the factory default of sending a Call Home message every 7 days:
- ```
switch(config-callhome)# no periodic-inventory notification interval 15
```



This value ranges from 1 to 30 days.

---

## Enabling Periodic Inventory Notifications Using DCNM-SAN

To enable periodic inventory notification in a Cisco MDS 9000 Series switch or a Cisco Nexus 5000 Series switch using DCNM-SAN, follow these steps:

### Procedure

---

- Step 1** Select a switch in the Fabric pane.
  - Step 2** Expand **Events** and select **Call Home** in the Physical Attributes pane. You will see the Call Home information in the Information pane.
  - Step 3** Click the **Periodic Inventory** tab. You will see the Call Home periodic inventory information.
  - Step 4** Select a switch in the Information pane.
  - Step 5** Check the **Enable** check box.
  - Step 6** Enter the number of days for which you want the inventory checked.
  - Step 7** Click the **Apply Changes** icon.
- 

## Configuring Duplicate Message Throttle

You can configure a throttling mechanism to limit the number of Call Home messages received for the same event. If the same message is sent multiple times from the switch within a short period of time, you may be swamped with a large number of duplicate messages.

### Restrictions

- By default, this feature is enabled in all switches in the Cisco MDS 9000 Series and the Cisco Nexus 5000 Series switches. When enabled, if the number of messages sent exceeds the maximum limit of 30 messages within the 2-hour time frame, then additional messages for that alert type are discarded within that time frame. You cannot modify the time frame or the message counter limit.
- If 2 hours have elapsed since the first such message was sent and a new message has to be sent, then the new message is sent and the time frame is reset to the time when the new message was sent and the count is reset to 1.

To enable message throttling in a Cisco MDS 9000 Series switch or a Cisco Nexus 5000 Series switch, follow these steps:

### Procedure

---

- Step 1** Enter configuration mode:  
switch# **configure terminal**

- Step 2** Enter the Call Home configuration submode:  
switch(config)# **callhome**
- Step 3** Disable the duplicate message throttling feature:  
switch(config-callhome)# **no duplicate-message throttle**
- Step 4** Enable the duplicate message throttling feature (default):  
switch(config-callhome)# **duplicate-message throttle**
- 

## Configuring Duplicate Message Throttle Using DCM-SAN

To enable message throttling in a Cisco MDS 9000 Series switch or a Cisco Nexus 5000 Series switch using DCM-SAN, follow these steps:

### Procedure

---

- Step 1** Select a switch in the Fabric pane.
- Step 2** Expand **Events** and select **Call Home** in the Physical Attributes pane.  
You see the Call Home information in the Information pane.
- Step 3** Click the **Control** tab.
- Step 4** Select a switch in the Information pane.
- Step 5** Check the **Duplicate Msg Throttle** check box.
- Step 6** Click the **Apply Changes** icon.
- 

## Enabling Call Home Fabric Distribution

To enable Call Home fabric distribution, follow these steps:

### Procedure

---

- Step 1** Enter configuration mode:  
switch# **configure terminal**
- Step 2** Enter the Call Home configuration submode:  
switch(config)# **callhome**
- Step 3** Enable Call Home configuration distribution to all switches in the fabric:  
switch(config-callhome)# **distribute**  
Acquires a fabric lock and stores all future configuration changes in the pending database.

- Step 4** Disables (default) Call Home configuration distribution to all switches in the fabric.  
switch(config-callhome)# **no distribute**
- 

## Committing the Call Home Configuration Changes

To commit the Call Home configuration changes, follow these steps:

### Procedure

---

- Step 1** Enter configuration mode:  
switch# **configure terminal**
- Step 2** Enter the Call Home configuration submode:  
switch(config)# **callhome**
- Step 3** Distribute the configuration changes to all switches in the fabric and release the lock:  
switch(config-callhome)# **commit**  
Overwrites the effective database with the changes made to the pending database.
- 

## Discarding the Call Home Configuration Changes

To discard the Call Home configuration changes, follow these steps:

### Procedure

---

- Step 1** Enter configuration mode:  
switch# **configure terminal**
- Step 2** Enter the Call Home configuration submode:  
switch(config)# **callhome**
- Step 3** Discard the configuration changes in the pending database and release the fabric lock:  
switch(config-callhome)# **abort**
- 

## Enabling Call Home Fabric Distribution Using DCNM-SAN

To enable Call Home fabric distribution using DCNM-SAN, follow these steps:

### Procedure

---

- Step 1** Select a switch in the Fabric pane.
  - Step 2** Expand **Events** and select **Call Home** in the Physical Attributes pane.  
You see the Call Home information in the Information pane.
  - Step 3** Click the **CFS** tab.  
You see the CFS information for Call Home.
  - Step 4** Select a switch in the Information pane.
  - Step 5** Select **Enable** from the drop-down list in the Admin column in the row for that switch.
  - Step 6** Click the **Apply Changes** icon to commit the changes.
- 

## Fabric Lock Override

To use administrative privileges and release a locked Call Home session, follow these steps:

### Procedure

---

Use administrative privileges and release a locked Call Home session:

```
switch# clear callhome session
```

---

## Call Home Communications Test

You can test Call Home communications by sending a test message to the configured destination(s) or sending a test inventory message to the configured destination(s).

Use the **test** command to simulate a message generation.

To test the Call Home function, follow these steps:

### Procedure

---

- Step 1** Send a test message to the configured destinations:  
switch# **callhome test**
  - Step 2** Send a test inventory message to the configured destinations:  
switch(config)# **callhome test inventory**
-

## Call Home Communications Test Using DCNM-SAN

To test the Call Home function and simulate a message generation using DCNM-SAN, follow these steps:

### Procedure

- 
- Step 1** Select a switch in the Fabric pane.
- Step 2** Expand **Events** and select **Call Home** in the Physical Attributes pane.  
You see the Call Home information in the Information pane.
- Step 3** Click the **Test** tab.  
You see the configured tests for the switch and the status of the last testing.
- Step 4** Select a switch in the Information pane.
- Step 5** From the **TestAction** drop-down list in the row for that switch, select **test** or **testWithInventory**
- Step 6** Click the **Apply Changes** icon to run the test.

[Table 16: EMC Call Home Traps, on page 93](#) includes all the traps for EMC Call Home.

**Table 16: EMC Call Home Traps**

| SNMP Trap                      | Send EMC Call Home When                                                             |
|--------------------------------|-------------------------------------------------------------------------------------|
| connUnitStatusChange           | operStatus == failed(5)                                                             |
| cefcModuleStatusChange         | operStatus != {ok(2), boot(5), selfTest(6), poweredUp(16), syncInProgress(21)}      |
| cefcPowerStatusChange          | operStatus = {offDenied(4), offEnvPower(5), offEnvTemp(6), offEnvFan(7), failed(8)} |
| cefcFRURemoved                 | all                                                                                 |
| cefcFanTrayStatusChange        | all                                                                                 |
| cieDelayedLinkUpDown           | operStatusReason != {linkFailure, adminDown, portGracefulShutdown}                  |
| cefcFRUInserted                | all                                                                                 |
| entSensorThresholdNotification | value >= threshold                                                                  |

---

## Configuring Delayed Traps

The `server.callhome.delayedtrap.enable` property is added to section 9 Call Home in the `server.properties` configuration file. The property file can enable the DCNM-SAN server to use delayed traps instead of regular linkDown traps for EMC E-mail Home messages.

## Enabling the Delayed Trap Feature

To enable the delayed trap feature, perform this task:

### Before you begin

To enable this feature, you need to turn on delayed traps at switch level, and then set the `server.callhome.delayedtrap.enable` property in the `server.properties` configuration file to true. By default, the `server.callhome.delayedtrap.enable` option is disabled and regular linkDown traps are used.

### Procedure

---

- Step 1** Enter configuration mode:
- ```
switch# configure terminal
```
- Step 2** Enable the system-delayed trap feature:
- ```
switch(config)# system delayed-traps enable mode FX
```
- Step 3** Configure the system-delayed trap timeout value:
- ```
switch(config)# system delayed-traps timer <1-60>
```
- If no value is entered, a default value of 4 minutes is used. You can choose any value between 1 to 60 minutes.
-

Enabling the Delayed Trap Feature Using DCCM-SAN

To enable delayed traps on switches running NX-OS Release 4.1(3) and later using DCCM-SAN, follow these steps:

Procedure

- Step 1** Expand **Events** and select **SNMP Traps** in the Physical Attributes pane.
In the table above the map layout in DCCM-SAN, click the **Delayed Traps** tab.
- Step 2** Check the **Enable** check box for the switches on which you want to enable delayed traps.
- Step 3** Enter the **timer** value in the Delay column.
- Step 4** Click **Apply** to save your changes.

Note If no value is entered, the default value of 4 minutes is used.

Enabling Delayed Traps Using Cisco Device Manager

To enable the delayed trap feature using Device Manager, follow these steps:

Procedure

- Step 1** In Device Manager, choose **Admin > Events > Filters > Delayed Traps**.
You can see the Events Filters information in the Information pane.
- Step 2** Click the **Delayed Traps** tab.
- Step 3** Check the **Enable** check box to enable delayed traps.
Delay interval will only be available when the feature is enabled.
- Step 4** To disable Delayed Traps, uncheck the **Enable** check box and click **Apply**.
-

Viewing Event Filter Notification

In Device Manager, choose Admin > Events > Filters to see the descriptive notification.
You can see the Event Filters information in the Information pane.
The Event Filters screen displays the descriptive information about the notification.

Verifying Call Home Configuration

To display the Call Home configuration information, perform one of the following tasks:

Displaying Call Home Information

Use the **show callhome** command to display the configured Call Home information.

Displays Configured Call Home Information

```
switch# show callhome

callhome enabled
Callhome Information:
contact person name:who@where
contact person's e-mail:person@place.com
contact person's phone number:310-408-4000
street addr:1234 Picaboo Street, Any city, Any state, 12345
site id:Site1ManhattanNewYork
customer id:Customer1234
contract id:Cisco1234
switch priority:0
```

Displays Information for All Destination Profiles (Predefined and User-Defined)

```
switch# show callhome destination-profile

XML destination profile information
maximum message size:500000
message format:XML
```

```

message-level:0
e-mail addresses configured:
alert groups configured:
cisco_tac
test destination profile information
maximum message size:100000
message format:full-txt
message-level:5
e-mail addresses configured:
admin@yourcompany.com
alert groups configured:
test
full-txt destination profile information
maximum message size:500000
message format:full-txt
message-level:0
e-mail addresses configured:
alert groups configured:
all
short-txt destination profile information
maximum message size:4000
message format:short-txt
message-level:0
e-mail addresses configured:
alert groups configured:
all

```

Displays Information for a User-defined Destination Profile

```

switch# show callhome destination-profile
test
test destination profile information
maximum message size:100000
message format:full-txt
message-level:5
e-mail addresses configured:
user
@
company
.com
alert groups configured:
test

```

Displays the Full-Text Profile

```

switch# show callhome destination-profile profile full-txt-destination

full-txt destination profile information
maximum message size:250000
e-mail addresses configured:
person2@company2.com

```

Displays the Short-Text Profile

```

switch# show callhome destination-profile profile short-txt-destination

Short-txt destination profile information
maximum message size:4000
e-mail addresses configured:
person2@company2.com

```


Displays the XML Destination Profile

```
switch# show callhome destination-profile profile XML-destination
XML destination profile information
maximum message size:250000
e-mail addresses configured:
findout@cisco.com
```

Displays E-Mail and SMTP Information

```
switch# show callhome transport-e-mail
from e-mail addr:user@company1.com
reply to e-mail addr:pointer@company.com
return receipt e-mail addr:user@company1.com
smtp server:server.company.com
smtp server port:25
```

Displays the running configuration callhome information

```
switch# show running-config callhome
!Command: show running-config callhome
!Time: Tue Sep 9 12:16:45 2014
version 6.2(9)
logging level callhome 5
callhome
  contract-id contact1
  customer-id cust1
  site-id Site1
  email-contact sakpuri@cisco.com
  phone-contact +1-800-000-0000
  streetaddress 12345 Cisco Way, San Jose, CA
  destination-profile Inventory
  destination-profile Inventory format full-txt
  destination-profile Inventory message-size 1000000
  destination-profile Service
  destination-profile Service format full-txt
  destination-profile Service message-size 1000000
  destination-profile dest1
  destination-profile dest1 format XML
  destination-profile dest1 message-size 500000
  destination-profile full_txt message-size 1000000
  destination-profile httpProf
  destination-profile httpProf format XML
  destination-profile httpProf message-size 0
  destination-profile short_txt message-size 4000
  destination-profile xml message-size 1000000
  destination-profile xml message-size 1000000
  destination-profile Inventory email-addr sakpuri@cisco.com
  destination-profile Service email-addr sakpuri@cisco.com
  destination-profile full_txt email-addr sakpuri@cisco.com
  destination-profile short_txt email-addr sakpuri@cisco.com
  destination-profile xml email-addr sakpuri@cisco.com
  destination-profile Service alert-group environmental
  destination-profile xml alert-group environmental
  destination-profile Inventory alert-group inventory
  destination-profile xml alert-group inventory
  destination-profile Service alert-group linecard-hardware
```

Displays the running configuration for callhome with defaults

```

switch# show running-config callhome all
EG-9506-1-176# show running-config callhome all
!Command: show running-config callhome all
!Time: Tue Sep  9 12:18:22 2014
version 6.2(9)
logging level callhome 5
callhome
  contract-id contact1
  customer-id cust1
  switch-priority 7
  site-id Site1
  email-contact sakpuri@cisco.com
  phone-contact +1-800-000-0000
  streetaddress 12345 Cisco Way, San Jose, CA
  destination-profile Inventory
  destination-profile Inventory format full-txt
  destination-profile Inventory transport-method email
  no destination-profile Inventory transport-method http
  destination-profile Inventory message-size 1000000
  destination-profile Inventory message-level 0
  destination-profile Service
  destination-profile Service format full-txt
  destination-profile Service transport-method email
  no destination-profile Service transport-method http
  destination-profile Service message-size 1000000
  destination-profile Service message-level 0
  destination-profile dest1
  destination-profile dest1 format XML
  destination-profile dest1 transport-method email
  no destination-profile dest1 transport-method http
  destination-profile dest1 message-size 500000
  destination-profile dest1 message-level 0
  destination-profile full_txt
  destination-profile full_txt format full-txt
  destination-profile full_txt transport-method email
  no destination-profile full_txt transport-method http
  destination-profile full_txt message-size 1000000
  destination-profile full_txt message-level 0
  destination-profile httpProf

```

Displays the startup configuration for callhome

```

switch# show startup-config callhome
!Command: show startup-config callhome
!Time: Tue Sep  9 12:19:27 2014
!Startup config saved at: Fri Sep  5 12:13:53 2014
version 6.2(9)
logging level callhome 5
callhome
  contract-id contact1
  customer-id cust1
  site-id Site1
  email-contact sakpuri@cisco.com
  phone-contact +1-800-000-0000
  streetaddress 12345 Cisco Way, San Jose, CA
  destination-profile Inventory
  destination-profile Inventory format full-txt
  destination-profile Inventory message-size 1000000
  destination-profile Service
  destination-profile Service format full-txt
  destination-profile Service message-size 1000000
  destination-profile dest1

```

```

destination-profile dest1 format XML
destination-profile dest1 message-size 500000
destination-profile full_txt message-size 1000000
destination-profile httpProf
destination-profile httpProf format XML
destination-profile httpProf message-size 0
destination-profile short_txt message-size 4000
destination-profile xml message-size 1000000
destination-profile xml message-size 1000000
destination-profile Inventory email-addr sakpuri@cisco.com
destination-profile Service email-addr sakpuri@cisco.com
destination-profile full_txt email-addr sakpuri@cisco.com
destination-profile short_txt email-addr sakpuri@cisco.com
destination-profile xml email-addr sakpuri@cisco.com
destination-profile Service alert-group environmental
destination-profile xml alert-group environmental
destination-profile Inventory alert-group inventory
destination-profile xml alert-group inventory

```

Displaying Delayed Trap Information

Use the **show running-config | in delay** command to display the system-delayed trap state. If no timer value is specified or if the timer value is set to 4 minutes, the following is displayed:

Displays the Delayed Trap Information with No Timer Value (Set to the Default 4 Minutes)

```

switch# show running-config | in delay
system delayed-traps enable mode FX

```

The following example shows the output when the timer value is set to any other value other than 4 minutes:

Displays the Delayed Trap Information with a Timer Value Other Than 4 Minutes

```

switch# show running-config | in delay
system delayed-traps enable mode FX
system delayed-traps timer 5

```

Verifying Alert Group Customization

To verify the alert group customization, use the **show callhome user-def-cmds** command.

```

switch# show callhome user-def-cmds
User configured commands for alert groups :
alert-group test user-def-cmd "show version"

```

Verifying Event Notification Trap

To verify the SNMP event notification trap, use the **show snmp trap | inc callhome** command.

```

switch# show snmp trap | inc callhome
callhome : event-notify Yes
callhome : smtp-send-fail No

```

Verifying Call Home Transport

The show callhome transport command displays all of the transport-related configurations for Call Home.

```
switch# show callhome transport
http vrf:management
from email addr:xyz-1@cisco.com
reply to email addr:xyz-1@cisco.com
smtp server:72.163.62.211
smtp server port:25
smtp server vrf:management
smtp server priority:0
http proxy server:10.64.65.52
http proxy server port:8080
http proxy status:Enabled
```

The following example shows how to configure SMTP server port:

```
switch# callhome
switch(config-callhome)# transport email mail-server 192.168.10.23 port 4
switch# config t
```

The following example shows how to configure SMTP server priority:

```
switch(config-callhome)# transport email mail-server 192.168.10.23 priority 60
switch# config t
```

Monitoring Call Home

This section includes the following topics:

Sample Syslog Alert Notification in Full-txt Format

```
source:MDS9000
Switch Priority:7
Device Id:DS-C9506@C@FG@07120011
Customer Id:basu
Contract Id:123
Site Id:San Jose
Server Id:DS-C9506@C@FG@07120011
Time of Event:2004-10-08T11:10:44
Message Name:SYSLOG_ALERT
Message Type:Syslog
Severity Level:2
System Name:10.76.100.177
Contact Name:Basavaraj B
Contact e-mail:admin@yourcompany.com
Contact Phone:+91-80-310-1718
Street Address:#71 , Miller's Road
Event Description:2004 Oct 8 11:10:44 10.76.100.177 %PORT-5-IF_TRUNK_UP: %$VSAN 1%$ Interface
fc2/5, vsan 1 is up
syslog_facility:PORT
start chassis information:
Affected Chassis:DS-C9506
Affected Chassis Serial Number:FG@07120011
Affected Chassis Hardware Version:0.104
```

```
Affected Chassis Software Version:3.1(1)
Affected Chassis Part No:73-8607-01
end chassis information:
```

Sample Syslog Alert Notification in XML Format

```
<?xml version="1.0" encoding="UTF-8" ?>
<soap-env:Envelope xmlns:soap-env="http://www.w3.org/2003/05/soap-envelope">
  <soap-env:Header>
    <aml-session:Session xmlns:aml-session="http://www.cisco.com/2004/01/aml-session"
      soap-env:mustUnderstand="true"
      soap-env:role="http://www.w3.org/2003/05/soap-envelope/role/next">
      <aml-session:To>http://tools.cisco.com/neddce/services/DDCEService</aml-session:To>
      <aml-session:Path>
        <aml-session:Via>http://www.cisco.com/appliance/uri</aml-session:Via>
      </aml-session:Path>
      <aml-session:From>http://www.cisco.com/appliance/uri</aml-session:From>
      <aml-session:MessageId>1004:FOX090306QT:3E55A81A</aml-session:MessageId>
    </aml-session:Session>
  </soap-env:Header>
  <soap-env:Body>
    <aml-block:Block xmlns:aml-block="http://www.cisco.com/2004/01/aml-block">
      <aml-block:Header>
        <aml-block:Type>http://www.cisco.com/2005/05/callhome/syslog</aml-block:Type>
        <aml-block:CreationDate>2003-02-21 04:16:18 GMT+00:00</aml-block:CreationDate>
        <aml-block:Builder>
          <aml-block:Name>MDS</aml-block:Name>
          <aml-block:Version>4.1</aml-block:Version>
        </aml-block:Builder>
        <aml-block:BlockGroup>
          <aml-block:GroupId>1005:FOX090306QT:3E55A81A</aml-block:GroupId>
          <aml-block:Number>0</aml-block:Number>
          <aml-block:IsLast>true</aml-block:IsLast>
          <aml-block:IsPrimary>true</aml-block:IsPrimary>
          <aml-block:WaitForPrimary>false</aml-block:WaitForPrimary>
        </aml-block:BlockGroup>
        <aml-block:Severity>6</aml-block:Severity>
      </aml-block:Header>
      <aml-block:Content>
        <ch:CallHome xmlns:ch="http://www.cisco.com/2005/05/callhome" version="1.0">
          <ch:EventTime>2003-02-21 04:16:18 GMT+00:00</ch:EventTime>
          <ch:MessageDescription>LICENSE_VIOLATION 2003 Feb 21 04:16:18 switch %$ %DAEMON-3-SYSTEM_MSG:
            &lt;&lt;,%LICMGR-3-LOG_LICAPP_NO_LIC&gt;&gt; License file is missing for feature
            SAN_EXTN_OVER_IP</ch:MessageDescription>
          <ch:Event>
            <ch:Type>syslog</ch:Type>
            <ch:SubType>LICENSE_VIOLATION</ch:SubType>
            <ch:Brand>Cisco</ch:Brand>
            <ch:Series>MDS9000</ch:Series>
          </ch:Event>
          <ch:CustomerData>
            <ch:UserData>
              <ch:e-mail>esajjana@cisco.com</ch:e-mail>
            </ch:UserData>
            <ch:ContractData>
              <ch:CustomerId>eeranna</ch:CustomerId>
              <ch:SiteId>Bangalore</ch:SiteId>
              <ch:ContractId>123</ch:ContractId>
              <ch:DeviceId>DS-C9216I-K9@C@FOX090306QT</ch:DeviceId>
            </ch:ContractData>
            <ch:SystemInfo>
              <ch:Name>switch</ch:Name>
```

```

<ch:Contact>Eeranna</ch:Contact>
<ch:Contact-mail>esajjana@cisco.com</ch:Contact-mail>
<ch:ContactPhoneNumber>+91-80-310-1718</ch:ContactPhoneNumber>
<ch:StreetAddress>#71, Miller&apos;s Road</ch:StreetAddress> </ch:SystemInfo>
</ch:CustomerData> <ch:Device> <rme:Chassis xmlns:rme="http://www.cisco.com/rme/4.0">
<rme:Model>DS-C9216I-K9</rme:Model>
<rme:HardwareVersion>1.0</rme:HardwareVersion>
<rme:SerialNumber>FOX090306QT</rme:SerialNumber>
</rme:Chassis>
</ch:Device>
</ch:CallHome>
</aml-block:Content>
<aml-block:Attachments>
<aml-block:Attachment type="inline">
<aml-block:Name>show logging logfile | tail -n 200</aml-block:Name> <aml-block:Data
encoding="plain">
<![CDATA[syslog_show:: command: 1055 param_count: 0
2003 Feb 21 04:11:48 %KERN-2-SYSTEM_MSG: Starting kernel... - kernel
2003 Feb 21 04:11:48 %KERN-3-SYSTEM_MSG: CMOS: Module initialized - kernel
2003 Feb 21 04:11:48 %KERN-2-SYSTEM_MSG: CARD TYPE: KING BB Index = 2344 - kernel
2003 Feb 21 04:12:04 %MODULE-5-ACTIVE_SUP_OK: Supervisor 1 is active (serial: JAB100700MC)
2003 Feb 21 04:12:04 %PLATFORM-5-MOD_STATUS: Module 1 current-status is MOD_STATUS_ONLINE/OK
2003 Feb 21 04:12:06 %IMAGE_DNLD-SLOT1-5-ADDON_IMG_DNLD_COMPLETE: Addon module image
download process completed. Addon Image download completed, installing image please wait..
2003 Feb 21 04:12:07 %IMAGE_DNLD-SLOT1-5-ADDON_IMG_DNLD_SUCCESSFUL: Addon module image
download and install process successful. Addon image installed.
2003 Feb 21 04:12:08 %KERN-3-SYSTEM_MSG: klm_af_xipc: Unknown parameter `start&apos; -
kernel
2003 Feb 21 04:12:08 %KERN-3-SYSTEM_MSG: klm_ips_portcfg: Unknown parameter `start&apos;
- kernel
2003 Feb 21 04:12:08 %KERN-3-SYSTEM_MSG: klm_flamingo: Unknown parameter `start&apos; -
kernel
2003 Feb 21 04:12:10 %PORT-5-IF_UP: Interface mgmt0 is up
2003 Feb 21 04:12:21 switch %LICMGR-3-LOG_LIC_FILE_MISSING: License file(s) missing for
feature ENTERPRISE_PKG.
2003 Feb 21 04:12:21 switch %LICMGR-3-LOG_LIC_FILE_MISSING: License file(s) missing for
feature SAN_EXTN_OVER_IP.
2003 Feb 21 04:12:21 switch %LICMGR-3-LOG_LIC_FILE_MISSING: License file(s) missing for
feature ENTERPRISE_PKG.
2003 Feb 21 04:12:21 switch %LICMGR-3-LOG_LIC_FILE_MISSING: License file(s) missing for
feature SAN_EXTN_OVER_IP.
2003 Feb 21 04:12:23 switch %PLATFORM-5-MOD_STATUS: Module 1 current-status is
MOD_STATUS_ONLINE/OK
2003 Feb 21 04:12:23 switch %MODULE-5-MOD_OK: Module 1 is online (serial: JAB100700MC)
2003 Feb 21 04:12:25 switch %PORT-5-IF_DOWN_ADMIN_DOWN: %$VSAN 1%$ Interface fc1/1 is down
(Administratively down)
2003 Feb 21 04:12:25 switch %PORT-5-IF_DOWN_ADMIN_DOWN: %$VSAN 1%$ Interface fc1/2 is down
(Administratively down)
2003 Feb 21 04:12:25 switch %PORT-5-IF_DOWN_ADMIN_DOWN: %$VSAN 1%$ Interface fc1/3 is down
(Administratively down)
2003 Feb 21 04:12:25 switch %PORT-5-IF_DOWN_ADMIN_DOWN: %$VSAN 1%$ Interface fc1/4 is down
(Administratively down)
2003 Feb 21 04:12:26 switch %PLATFORM-5-PS_STATUS: PowerSupply 1 current-status is PS_FAIL
2003 Feb 21 04:12:26 switch %PLATFORM-2-PS_FAIL: Power supply 1 failed or shut down (Serial
number QCS1007109F)
2003 Feb 21 04:12:26 switch %PLATFORM-5-PS_FOUND: Power supply 2 found (Serial number
QCS1007109R)
2003 Feb 21 04:12:26 switch %PLATFORM-2-PS_OK: Power supply 2 ok (Serial number QCS1007109R)
2003 Feb 21 04:12:26 switch %PLATFORM-5-PS_STATUS: PowerSupply 2 current-status is PS_OK
2003 Feb 21 04:12:26 switch %PLATFORM-2-PS_FANOK: Fan in Power supply 2 ok
2003 Feb 21 04:12:26 switch %PLATFORM-5-FAN_DETECT: Fan module 1 (Serial number NWG0901031X)
ChassisFan1 detected
2003 Feb 21 04:12:26 switch %PLATFORM-2-FAN_OK: Fan module ok
2003 Feb 21 04:12:26 switch %PLATFORM-2-CHASSIS_CLKMODOK: Chassis clock module A ok

```

```

2003 Feb 21 04:12:26 switch %PLATFORM-2-CHASSIS_CLKSRC: Current chassis clock source is
clock-A
2003 Feb 21 04:12:26 switch %PORT-5-IF_DOWN_ADMIN_DOWN: %$VSAN 1%$ Interface fc1/5 is down
(Administratively down)
2003 Feb 21 04:12:26 switch %PORT-5-IF_DOWN_ADMIN_DOWN: %$VSAN 1%$ Interface fc1/6 is down
(Administratively down)
2003 Feb 21 04:12:26 switch %PORT-5-IF_DOWN_ADMIN_DOWN: %$VSAN 1%$ Interface fc1/7 is down
(Administratively down)
2003 Feb 21 04:12:26 switch %PORT-5-IF_DOWN_ADMIN_DOWN: %$VSAN 1%$ Interface fc1/8 is down
(Administratively down)
2003 Feb 21 04:12:26 switch %PORT-5-IF_DOWN_ADMIN_DOWN: %$VSAN 1%$ Interface fc1/9 is down
(Administratively down)
2003 Feb 21 04:12:26 switch %PORT-5-IF_DOWN_ADMIN_DOWN: %$VSAN 1%$ Interface fc1/10 is down
(Administratively down)
2003 Feb 21 04:12:27 switch %PORT-5-IF_DOWN_ADMIN_DOWN: %$VSAN 1%$ Interface fc1/11 is down
(Administratively down)
2003 Feb 21 04:12:27 switch %PORT-5-IF_DOWN_ADMIN_DOWN: %$VSAN 1%$ Interface fc1/12 is down
(Administratively down)
2003 Feb 21 04:12:27 switch %PORT-5-IF_DOWN_ADMIN_DOWN: %$VSAN 1%$ Interface fc1/13 is down
(Administratively down)
2003 Feb 21 04:12:27 switch %PORT-5-IF_DOWN_ADMIN_DOWN: %$VSAN 1%$ Interface fc1/14 is down
(Administratively down)
2003 Feb 21 04:12:30 switch %PLATFORM-2-MOD_DETECT: Module 2 detected (Serial number
JAB0923016X) Module-Type IP Storage Services Module Model DS-X9304-SMIP
2003 Feb 21 04:12:30 switch %MODULE-2-MOD_UNKNOWN: Module type [25] in slot 2 is not supported
2003 Feb 21 04:12:45 switch %VSHD-5-VSHD_SYSLOG_CONFIG_I: Configured from vty by root on
console0
2003 Feb 21 04:14:06 switch %VSHD-5-VSHD_SYSLOG_CONFIG_I: Configured from vty by admin on
console0
2003 Feb 21 04:15:12 switch %VSHD-5-VSHD_SYSLOG_CONFIG_I: Configured from vty by admin on
console0
2003 Feb 21 04:15:52 switch %SYSMGR-3-BASIC_TRACE: core_copy: PID 1643 with message Core
not generated by system for licmgr(0). WCOREDUMP(9) returned zero .
2003 Feb 21 04:15:52 switch %SYSMGR-2-SERVICE_CRASHED: Service \"licmgr\" (PID 2272)
hasn't caught signal 9 (no core).
2003 Feb 21 04:16:18 switch %LICMGR-3-LOG_LIC_FILE_MISSING: License file(s) missing for
feature ENTERPRISE_PKG.
2003 Feb 21 04:16:18 switch %LICMGR-3-LOG_LIC_FILE_MISSING: License file(s) missing for
feature SAN_EXTN_OVER_IP.
2003 Feb 21 04:16:18 switch %LICMGR-3-LOG_LIC_FILE_MISSING: License file(s) missing for
feature ENTERPRISE_PKG.
2003 Feb 21 04:16:18 switch %LICMGR-3-LOG_LIC_FILE_MISSING: License file(s) missing for
feature SAN_EXTN_OVER_IP.
2003 Feb 21 04:16:18 switch %CALLHOME-2-EVENT: LICENSE_VIOLATION
2003 Feb 21 04:16:18 switch %CALLHOME-2-EVENT: LICENSE_VIOLATION
2003 Feb 21 04:16:18 switch %CALLHOME-2-EVENT: LICENSE_VIOLATION
2003 Feb 21 04:16:18 switch %CALLHOME-2-EVENT: LICENSE_VIOLATION ]]> </aml-block:Data>
</aml-block:Attachment> <aml-block:Attachment type="inline"> <aml-block:Name>show license
usage</aml-block:Name> <aml-block:Data encoding="plain">
<![CDATA[Feature
                Ins Lic Status Expiry Date Comments
                Count
                -----
DMM_184_PKG          No    0    Unused          Grace expired
FM_SERVER_PKG       No    -    Unused          Grace expired
MAINFRAME_PKG       No    -    Unused          Grace expired
ENTERPRISE_PKG      Yes   -    Unused never    license missing
DMM_FOR_SSM_PKG     No    0    Unused          Grace expired
SAN_EXTN_OVER_IP    Yes   8    Unused never    8 license(s) missing
PORT_ACTIVATION_PKG No    0    Unused          -
SME_FOR_IPS_184_PKG No    0    Unused          Grace expired
STORAGE_SERVICES_184 No    0    Unused          Grace expired
SAN_EXTN_OVER_IP_18_4 No    0    Unused          Grace expired
SAN_EXTN_OVER_IP_IPS2 No    0    Unused          Grace expired
SAN_EXTN_OVER_IP_IPS4 No    0    Unused          Grace expired

```

```

STORAGE_SERVICES_SSN16          No    0    Unused          Grace expired
10G_PORT_ACTIVATION_PKG         No    0    Unused          -
STORAGE_SERVICES_ENABLER_PKG    No    0    Unused          Grace expired
-----
**** WARNING: License file(s) missing. **** ]]> </aml-block:Data> </aml-block:Attachment>
</aml-block:Attachments> </aml-block:Block> </soap-env:Body> </soap-env:Envelope>

```

Sample RMON Notification in XML Format

```

<?xml version="1.0" encoding="UTF-8" ?>
<soap-env:Envelope xmlns:soap-env="http://www.w3.org/2003/05/soap-envelope">
  <soap-env:Header>
    <aml-session:Session xmlns:aml-session="http://www.cisco.com/2004/01/aml-session"
      soap-env:mustUnderstand="true"
      soap-env:role="http://www.w3.org/2003/05/soap-envelope/role/next">
      <aml-session:To>http://tools.cisco.com/neddce/services/DDCEService</aml-session:To>
      <aml-session:Path>
      <aml-session:Via>http://www.cisco.com/appliance/uri</aml-session:Via>
      </aml-session:Path>
      <aml-session:From>http://www.cisco.com/appliance/uri</aml-session:From>
      <aml-session:MessageId>1086:FHH0927006V:48BA26BD</aml-session:MessageId>
      </aml-session:Session>
    </soap-env:Header>
    <soap-env:Body>
      <aml-block:Block xmlns:aml-block="http://www.cisco.com/2004/01/aml-block">
        <aml-block:Header>
          <aml-block:Type>http://www.cisco.com/2005/05/callhome/diagnostic</aml-block:Type>
          <aml-block:CreationDate>2008-08-31 05:06:05 GMT+00:00</aml-block:CreationDate>
          <aml-block:Builder>
          <aml-block:Name>MDS</aml-block:Name>
          <aml-block:Version>4.1</aml-block:Version>
          </aml-block:Builder>
          <aml-block:BlockGroup>
          <aml-block:GroupId>1087:FHH0927006V:48BA26BD</aml-block:GroupId>
          <aml-block:Number>0</aml-block:Number>
          <aml-block:IsLast>true</aml-block:IsLast>
          <aml-block:IsPrimary>true</aml-block:IsPrimary>
          <aml-block:WaitForPrimary>false</aml-block:WaitForPrimary>
          </aml-block:BlockGroup>
          <aml-block:Severity>2</aml-block:Severity>
        </aml-block:Header>
        <aml-block:Content>
          <ch:CallHome xmlns:ch="http://www.cisco.com/2005/05/callhome" version="1.0">
            <ch:EventTime>2008-08-31 05:06:05 GMT+00:00</ch:EventTime>
            <ch:MessageDescription>RMON_ALERT WARNING(4) Falling:iso.3.6.1.4.1.9.9.305.1.1.1.0=1 &lt;=
              89:1, 4</ch:MessageDescription>
            <ch:Event>
              <ch:Type>environment</ch:Type>
              <ch:SubType>minor</ch:SubType>
              <ch:Brand>Cisco</ch:Brand>
              <ch:Series>MDS9000</ch:Series>
            </ch:Event>
            <ch:CustomerData>
              <ch:UserData>
                <ch:e-mail>mchinn@cisco.com</ch:e-mail>
              </ch:UserData>
              <ch:ContractData>
                <ch:CustomerId>12ss</ch:CustomerId>
                <ch:SiteId>2233</ch:SiteId>
                <ch:ContractId>rrr55</ch:ContractId>
                <ch:DeviceId>DS-C9513@C@FHH0927006V</ch:DeviceId>
              </ch:ContractData>

```



```

<ch:SystemInfo>
<ch>Name>sw172-22-46-174</ch>Name>
<ch>Contact>Mani</ch>Contact>
<ch>Contacte-mail>mchinn@cisco.com</ch>Contacte-mail>
<ch>ContactPhoneNumber>+1-800-304-1234</ch>ContactPhoneNumber>
<ch:StreetAddress>1234 wwee</ch:StreetAddress>
</ch:SystemInfo>
</ch:CustomerData>
<ch:Device>
<rme:Chassis xmlns:rme="http://www.cisco.com/rme/4.0">
<rme:Model>DS-C9513</rme:Model>
<rme:HardwareVersion>0.205</rme:HardwareVersion>
<rme:SerialNumber>FHH0927006V</rme:SerialNumber>
</rme:Chassis>
</ch:Device>
</ch:CallHome>
</aml-block:Content>
</aml-block:Block>
</soap-env:Body>
</soap-env:Envelope>

```

Field Descriptions for Call Home

This section displays the field descriptions for this feature:

Call Home General

Field	Description
Contact	The contact person for this switch, together with information on how to contact this person.
PhoneNumber	The phone number of the contact person. The phone number must start with '+' and contains only numeric characters except for space and '-'. Some valid phone numbers are +44 20 8332 9091 +45 44886556 +81-46-215-4678 +1-650-327-2600.
EmailAddress	The e-mail address of the contact person. Some valid e-mail addresses are raj@helpme.com, bob@service.com, mtom@abc.caview.ca.us.
StreetAddress	The mailing address of this switch.
CustomerId	A string, in whatever format is appropriate, to identify the customer.
ContractId	A string, in whatever format is appropriate, to identify the support contract between the customer and support partner.
SiteId	A location identifier of this device.
DeviceServicePriority	The service priority of the device. This determines how fast the device has to be serviced.
Enable	Enables/disables the Call Home infrastructure on the local device.

Related Topics

[Information About Call Home, on page 47](#)

Call Home Destinations

Field	Description
E-mailAddress	The e-mail address associated this destination profile. Some examples are raj@helpme.com, bob@service.com, mtom@abc.caview.ca.us.

Related Topics

[Call Home Destination Profiles, on page 50](#)

Call Home SMTP Servers

Field	Description
Address Type, Address	IP address of the SMTP server.
Port	TCP port of the SMTP server.
Priority	Priority value.

Call Home E-mail Setup

Field	Description
From	The e-mail address that is to be used in the From field when sending the e-mail using SMTP. Some examples are raj@helpme.com, bob@service.com, mtom@abc.caview.ca.us.
ReplyTo	The e-mail address that is to be used in the Reply-To field when sending the e-mail using SMTP. Some examples are raj@helpme.com, bob@service.com, mtom@abc.caview.ca.us.
IP Address Type	The IP address type (IPv4, IPv6, or DNS).
Name or IP Address	Name or IP address of the SMTP server.
Port	TCP port of the SMTP server.

Related Topics

[General E-Mail Options Using HTTPS Support, on page 52](#)

Call Home Alerts

Field	Description
Action	Test — Sends a Call Home message TestWithInventory — Sends a message with inventory details.
Status	The status of the last Call Home action invocation.
FailureCause	The failure cause for the last Call Home test invocation.
LastTimeSent	When the last Call Home alert was sent.
NumberSent	The number of Call Home alerts sent.
Interval	Time frame for sending the periodic software inventory Call Home message.
Throttling Enable	If checked, enables the message throttling mechanism implemented on the system, to limit the number of Call Home messages for an alert type within a time frame. The maximum is 30 in a 2-hour time frame, and any further messages for that alert type are discarded.
Enable	If checked, enables the sending of periodic software inventory Call Home messages on the system.

Related Topics

[Call Home Alert Groups, on page 50](#)

[Call Home Message Level Feature, on page 51](#)

Call Home User Defined Command

Field	Description
User Defined Command	Configures user-defined commands for the Call Home alert group types.

Delayed Traps

Field	Description
Enable	Enables or disables delay traps.
Delay	Delays interval in minutes (valid values are between 1 to 60).

Call Home Profiles

Field	Description
MsgFormat	XML, full text, or short text.

Field	Description
MaxMsgSize	Maximum message size that can be sent to destination pointed to by this destination profile.
MsgLevel	Threshold level, used for filtering alert messages sent to a destination. Callhome alert message with severity level lower than the configured threshold level would not be sent. The default threshold level is debug (1), which means all the alert messages will be sent.
AlertGroups	The list of configured alert groups for this destination profile.

Event Destinations Addresses

Field	Description
Address/Port	IP address and port to send event.
Security Name	The SNMP parameters to be used when generating messages to be sent to this address.
Security Model	Is used when generating SNMP messages using this entry.
Inform Type	<ul style="list-style-type: none"> • Trap — Unacknowledged event • Inform — Acknowledged event.
Inform Timeout	This expected maximum round-trip time for communicating with the address.
RetryCount	The number of retries to be attempted when a response is not received for a generated message.

Event Destinations Security (Advanced)

Field	Description
MPModel	The message processing model to be used when generating SNMP messages using this entry.
SecurityModel	The security model to be used when generating SNMP messages using this entry.
SecurityName	Identifies the principal on whose behalf SNMP messages will be generated using this entry.
SecurityLevel	The level of security to be used when generating SNMP messages using this entry.

Event Filters General

Field	Description
FSPF - Nbr State Changes	Specifies whether or not the local switch should issue notification when the local switch learns of a change in the neighbor's state (state in the FSPF neighbor finite state machine) on an interface on a VSAN.

Field	Description
Domain Mgr - ReConfig Fabrics	Specifies whether or not the local switch should issue a notification on sending or receiving ReConfigureFabric (RCF) on a VSAN.
Zone Server - Request Rejects	Specifies if the zone server should issue a notification on rejects.
Zone Server - Merge Failures	Specifies if the zone server should issue a notification on merge failures.
Zone Server - Merge Successes	Specifies if the zone server should issue a notification on merge successes.
Zone Server - Default Zone Behavior Change	Specifies if the zone server should issue a notification if the propagation policy changes.
Zone Server - Unsupp Mode	Specifies if the zone server should issue a notification on unsupp mode changes
FabricConfigServer - Request Rejects	Specifies if the fabric configuration server should issue a notification on rejects.
RSCN - ILS Request Rejects	Specifies if the RSCN module should generate notifications when a SW_RSCN request is rejected.
RSCN - ILS RxRequest Rejects	Specifies if the RSCN module should generate notifications when a SW_RSCN request is rejected.
RSCN - ELS Request Rejects	Specifies if the RSCN module should generate notifications when a SCR or RSCN request is rejected.
FRU Changes	A false value will prevent field replaceable unit (FRU) notifications from being generated by this system.
SNMP - Community Auth Failure	Indicates whether the SNMP entity is permitted to generate authenticationFailure traps.
VRRP	Indicates whether the VRRP-enabled router will generate SNMP traps for events defined in this MIB.
FDMI	Specifies if the FDMI should generate notifications when a registration request is rejected.
License Manager	Indicates whether the system should generate notifications.
Port/Fabric Security	Specifies if the system should generate notifications when a port/fabric security issue arises.
FCC	Specifies whether the agent should generate notifications.
Name Server	If checked, the name server generates a notification when a request is rejected. If false, the notification is not generated.

Event Filters Interfaces

Field	Description
EnableLinkTrap	Indicates whether linkUp/linkDown traps should be generated for this interface.

Event Filters Control

Field	Description
Variable	Represents the notification to be controlled.
Descr	Description about the notification.
Enabled	Check to enable notification of the control. Shows the status of the control.



Note You see the Descr column only on switches that run Cisco NX-OS Release 5.0 or later.

Additional References

For additional information related to implementing Call Home, see the following section:

MIBs

MIBs	MIBs Link
<ul style="list-style-type: none"> CISCO-CALLHOME-CAPABILITY-MIB CISCO-CALLHOME-MIB 	To locate and download MIBs, go to the following URL: http://www.cisco.com/en/US/products/ps5989/prod_technical_reference_list.html

Feature History for Call Home

[Feature History for Call Home, on page 110](#) lists the release history for this feature. Only features that were introduced or modified in Release 3.x or a later release appear in the table.

Table 17: Feature History for Call Home

Feature Name	Releases	Feature Information
Call Home HTTP Proxy Server	5.2	Added the Call Home HTTP Proxy Server support details.
Call Home Wizard	5.2	Added the Call Home Wizard configuration details.
Call Home HTTP Proxy Server	5.2	Added the Call Home HTTP Proxy Server support details. Added Verifying Callhome Transport commands.

Feature Name	Releases	Feature Information
Multiple SMTP Server Support	5.0(1a)	Added Multiple SMTP Server Support details. Added Verifying Callhome Transport commands.
Notification Enhancements	5.0(1a)	Added the enhancement in Notification in the Event Filter Using Device Manager.
Call Home	4.1(1b)	Added the HTTPS support for Call Home.
Call Home - Delayed Traps for EMC Call Home configuration window in DCNM-SAN.	4.1(1a)	Added the delayed traps enhancements for EMC Call Home.
Call Home Destination tab	4.2(1)	Added the enhancement in Destination tab.
Call Home HTTPs support	4.2(1)	Added Call Home HTTPs enhancement.
EMC Email Home	3.3(3)	EMC Email Home configuration information was added to this chapter.
EMC Call Home	3.0(1)	Enables the forwarding of traps as XML data using email, according to EMC specifications.
Call Home enhancement	3.0(1)	Enables customization of alert group messages.



CHAPTER 6

Scheduling Maintenance Jobs

The Cisco MDS command scheduler feature helps you schedule configuration and maintenance jobs in any switch in the Cisco MDS 9000 Family. You can use this feature to schedule jobs on a one-time basis or periodically.

- [Information About the Command Scheduler, on page 113](#)
- [Licensing Requirements for Command Scheduler, on page 114](#)
- [Guidelines and Limitations, on page 114](#)
- [Default Settings , on page 114](#)
- [Configuring the Command Scheduler, on page 115](#)
- [Specifying a Schedule, on page 118](#)
- [Specifying a One-Time Schedule, on page 120](#)
- [Deleting a Schedule, on page 121](#)
- [Removing an Assigned Job, on page 121](#)
- [Deleting a Schedule Time, on page 121](#)
- [Configuring Execution Logs, on page 122](#)
- [Clearing the Execution Log File Contents, on page 122](#)
- [Verifying Scheduler Configuration, on page 122](#)
- [Configuration Examples for Scheduler, on page 125](#)

Information About the Command Scheduler

The Cisco NX-OS command scheduler provides a facility to schedule a job (set of CLI commands) or multiple jobs at a specified time in the future. The job(s) can be executed once at a specified time in the future or at periodic intervals.

You can use this feature to schedule zone set changes, make QoS policy changes, back up data, save the configuration and do other similar jobs.

Scheduler Terminology

The following terms are used in this chapter:

- **Job**—A job is a set of NX-OS CLI commands (EXEC and config mode) that are executed as defined in the schedule.

- Schedule—A schedule determines the time when the assigned jobs must be executed. Multiple jobs can be assigned to a schedule. A schedule executes in one of two modes: one-time or periodic.
- Periodic mode—A job is executed at the user-specified periodic intervals, until it is deleted by the administrator. The following types of periodic intervals are supported:
 - Daily—The job is executed once a day.
 - Weekly—The job is executed once a week.
 - Monthly—The job is executed once a month.
 - Delta—The job is executed beginning at the specified start time and thereafter at user-specified intervals (days:hours:minutes).
- One-time mode—The job is executed once at a user-specified time.

Licensing Requirements for Command Scheduler

To use the command scheduler, you do not need to obtain any license.

Guidelines and Limitations

Before scheduling jobs on a Cisco MDS switch, note the following guidelines:

- Prior to Cisco MDS SAN-OS Release 3.0(3), only users local to the switch could perform scheduler configuration. As of Cisco MDS SAN-OS Release 3.0(3), remote users can perform job scheduling using AAA authentication.
- Be aware that the scheduled job can fail if it encounters one of the following situations when executing the job:
 - If the license has expired for a feature at the time when a job containing commands pertaining to that feature is scheduled.
 - If a feature is disabled at the time when a job containing commands pertaining to that feature is scheduled.
 - If you have removed a module from a slot and the job has commands pertaining to the interfaces for that module or slot.
- Verify that you have configured the time. The scheduler does not have any default time configured. If you create a schedule and assign job(s) and do not configure the time, that schedule is not launched.
- While defining a job, verify that no interactive or disruptive commands (for example, **copy bootflash: file ftp: URI**, **write erase**, and other similar commands) are specified as part of a job because the job is executed noninteractively at the scheduled time.

Default Settings

[Table 18: Default Command Scheduler Parameters](#), on page 115 lists the default settings for command scheduling parameters.

Table 18: Default Command Scheduler Parameters

Parameters	Default
Command scheduler	Disabled.
Log file size	16 KB.

Configuring the Command Scheduler

The Cisco NX-OS command scheduler provides a facility to schedule a job (set of CLI commands) or multiple jobs at a specified time in the future.

Task Flow for Configuring the Command Scheduler

Follow these steps to configure the Command Scheduler:

Procedure

- Step 1** Enable the scheduler.
 - Step 2** Authorize remote user access (optional).
 - Step 3** Define the job.
 - Step 4** Specify the schedule and assign jobs to the schedule.
 - Step 5** Specify the time for the schedule(s).
 - Step 6** Verify the scheduled configuration.
-

Enabling the Command Scheduler

To use the scheduling feature, you must explicitly enable this feature on the required switches in the fabric. By default, this feature is disabled in all switches in the Cisco MDS 9000 Family.

The configuration and verification commands for the command scheduler feature are only available when this feature is enabled on a switch. When you disable this feature, all related configurations are automatically discarded.

To enable the command scheduling feature, follow these steps:

Procedure

- Step 1** switch# **configure terminal**
Enters configuration mode.
- Step 2** switch(config)# **feature scheduler**
Enables the command scheduler.

Step 3 switch(config)# **no feature scheduler**

Discards the scheduler configuration and disables the command scheduler (default).

Examples

To display the command schedule status, use the **show scheduler config** command.

```
switch# show scheduler config
config terminal
feature scheduler
scheduler logfile size 16
end
```

Configuring Remote User Authentication

Prior to Cisco MDS SAN-OS Release 3.0(3), only users local to the switch could perform scheduler configuration. As of Cisco MDS SAN-OS Release 3.0(3), remote users can perform job scheduling using AAA authentication.

To configure remote user authentication, follow these steps:

Before you begin

AAA authentication requires the clear text password of the remote user before creating and configuring command scheduler jobs.

Procedure

Step 1 switch# **configuration terminal**

Enters configuration mode.

Step 2 switch(config)# **scheduler aaa-authentication password X12y34Z56a**

Configures a clear text password for remote users.

Step 3 switch(config)# **scheduler aaa-authentication password 0 X12y34Z56a**

Configures a clear text password for remote users.

Step 4 switch(config)# **no scheduler aaa-authentication password**

Removes the clear text password for remote users.

Step 5 switch(config)#**scheduler aaa-authentication user newuser password Z98y76X54b**

Configures a clear text password for remote user newuser.

Step 6 switch(config)#**scheduler aaa-authentication user newuser password 0 Z98y76X54b**

Configures a clear text password for remote user newuser.

Step 7 switch(config)# **no scheduler aaa-authentication password user newuser**

Removes the clear text password for remote user newuser.

Defining a Job

To define a job, you must specify the job name. This action places you in the job definition (config-job) submode. In this submode, you can define the sequence of CLI commands that the job has to perform. Be sure to exit the config-job submode to complete the job definition.

- Job configuration files created using MDS NX-OS or SAN-OS releases before Cisco MDS NX-OS Release 4.1(1b) are not supported. However, you can edit the job configuration file and combine the commands within a job into a single line using a semicolon (;).
- You must exit the config-job submode for the job definition to be complete.
- You cannot modify or remove a command after exiting the config-job submode. To make changes, you must explicitly delete the defined job name and then reconfigure the job with new commands.

To define a job for the command scheduler, follow these steps:

Procedure

- Step 1** `switch# configuration terminal`
 Enters the configuration mode.
- Step 2** `switch(config)# scheduler job name addMemVsan99`
`switch(config-job)#`
 Defines a job name and enters the job definition submode.
- Step 3** `switch(config-job)# command1 ;[command2 ;command3 ;...]`
`switch(config-job-submode)# end`

Example:

```
switch(config-job)# configure terminal;vsan database;vsan 99 interface fc1/1 4
switch(config-job-config-vsan-db)# end
switch#
```

Specifies a sequence of actions for the specified job. The defined commands are checked for validity and stored for future use.

Note Be sure you exit the config-job submode.

Example:

```
switch(config)# scheduler job name offpeakQOS
switch(config-job)# configuration terminal; qos class-map offpeakbackupcmap match-all ;
match source-wwn 23:15:00:05:30:00:2a:1f ; match destination-wwn 20:01:00:05:30:00:28:df
;exit ; qos policy-map offpeakbackuppolicy ; class offpeakbackupcmap ; priority high ; exit
; exit ; qos service policy offpeakbackuppolicy vsan 1
switch(config-job)# end
switch#
```

Provides example of scheduling a set of configuration commands.

Step 4 **exit****Example:**

```
switch(config-job)# exit
switch(config)#
```

Exits the job configuration mode and saves the job.

Step 5 **show scheduler job [name]****Example:**

```
switch(config)# show scheduler job
```

(Optional) Displays the job information.

Step 6 **copy running-config startup-config****Example:**

```
switch(config)# copy running-config startup-config
```

(Optional) Saves this configuration change.

Deleting a Job

To delete a job for the command scheduler, follow these steps:

Procedure

Step 1 **switch# configuration terminal**

Enters the configuration mode.

Step 2 **switch(config)# no scheduler job name addMemVsan99**

Deletes a defined job and all commands defined within that job.

Specifying a Schedule

After defining jobs, you can create schedules and assign jobs to the schedule. Subsequently, you can configure the time of execution. The execution can be one-time or periodic depending on your requirements. If the time for the schedule is not configured, then it will never be executed.

You can specify a periodic job execution at the specified (daily, weekly, monthly, or delta) intervals.

To specify a periodic job for the command scheduler, follow these steps:

Procedure

-
- Step 1** switch# **configuration terminal**
Enters the configuration mode.
- Step 2** switch(config)# **scheduler schedule name weekendbackupqos**
switch(config-schedule)#
Defines a job schedule (weekendbackup) and enters the submode for that schedule.
- Step 3** switch(config)# **no scheduler schedule name weekendbackup**
Deletes the defined schedule.
- Step 4** switch(config-schedule)# **job name offpeakZoning**
switch(config-schedule)# **job name offpeakQOS**
Assigns two jobs (offpeakZoning and offpeakQOS) for this schedule.
- Step 5** switch(config-schedule)# **no job name addMem99**
Deletes the job assigned for this schedule.
-

Examples

The following examples are for reference:

Command	Purpose
switch(config-schedule)# time daily 23:00	Executes the specified jobs at 11 p.m. every day.
switch(config-schedule)# time weekly Sun:23:00	Specifies a weekly execution every Sunday at 11 p.m.
switch(config-schedule)# time monthly 28:23:00	Specifies a monthly execution at 11 p.m. on the 28th of each month. If you specify the date as either 29, 30, or 31, the command is automatically executed on the last day of each month.
switch(config-schedule)# time start now repeat 48:00	Specifies a job to be executed every 48 hours beginning 2 minutes from <i>now</i> —if today is September 24, 2004, and the time is now 2:00 p.m., the command begins executing at 2 minutes past 2:00 p.m. on September 24, 2004, and continues to execute every 48 hours after that.
switch(config-schedule)# time start 14:00 repeat 14:00:00	If today is September 24, 2004, (Friday), this command specifies the job to be executed every alternate Friday at 2 p.m. (every 14 days).

The most significant fields in the **time** parameter are optional. If you omit the most significant fields, the values are assumed to be the same as the current time. For example, if the current time is September 24, 2004, 22:00 hours, then the commands are executed as follows:

- The **time start 23:00 repeat 4:00:00** command implies a start time of September 24, 2004, 23:00 hours.
- The **time daily 55** command implies every day at 22:55 hours.
- The **time weekly 23:00** command implies every Friday at 23:00 hours.
- The **time monthly 23:00** command implies the 24th of every month at 23:00 hours.



Note If the time interval configured for any schedule is smaller than the time taken to execute its assigned job(s), then the subsequent schedule execution occurs only after the configured interval amount of time has elapsed following the completion time of the last iteration of the schedule. For example, a schedule is executed at 1-minute intervals and a job assigned to it takes 2 minutes to complete. If the first schedule is at 22:00 hours, the job finishes at 22:02 after which the 1-minute interval is observed, and the next execution occurs at 22:03 and finishes at 22:05.

Specifying a One-Time Schedule

When you specify a one-time job execution, that job is only executed once.

To specify a one-time job for the command scheduler, follow these steps:

Procedure

- Step 1** `switch# configuration terminal`
Enters the configuration mode.
- Step 2** `switch(config)# scheduler schedule name configureVsan99`
`switch(config-schedule)#`
Defines a job schedule (configureVsan99) and enters the submode for that schedule.
- Step 3** `switch(config-schedule)# job name addMemVsan99`
Assigns a predefined job name (addMemVsan99) for this schedule.
- Step 4** `switch(config-schedule)# time start 2004:12:14:23:00`
Specifies a one-time execution on December 14, 2004, at 11 p.m.
- Step 5** `switch(config-schedule)# no time`
Deletes the time assigned for this schedule.
-

Deleting a Schedule

To delete a schedule, follow these steps:

Procedure

- Step 1** switch# **configuration terminal**
Enters the configuration mode.
- Step 2** switch(config)# **no scheduler schedule name weekendbackup**
Deletes the defined schedule.
-

Removing an Assigned Job

To remove an assigned job, follow these steps:

Procedure

- Step 1** switch# **configuration terminal**
Enters the configuration mode.
- Step 2** switch(config)# **scheduler schedule name weekendbackupqos**
switch(config-schedule)#
Specifies a job schedule (weekendbackupqos) and enters the submode for that schedule.
- Step 3** switch(config-schedule)# **no job name addMem99**
Removes a job (addMem99) assigned to this schedule.
-

Deleting a Schedule Time

To delete the schedule time, follow these steps:

Procedure

- Step 1** switch# **configuration terminal**
Enters the configuration mode.

Step 2 `switch(config)# scheduler schedule name weekendbackupqos`
`switch(config-schedule)#`
Defines a job schedule (weekendbackup) and enters the submode for that schedule.

Step 3 `switch(config-schedule)# no time`
Deletes the schedule time configuration. The schedule will not be run until the time is configured again.

Configuring Execution Logs

The command scheduler maintains a log file. While you cannot modify the contents of this file, you can change the file size. This log file is a circular log that contains the output of the job executed. If the output of the job is greater than the log file, then the output stored in this file remains truncated.

You can configure the log file size to be a maximum of 1024 KB. The default size of the execution log file is 16 KB.

To configure the execution log file size, follow these steps:

Procedure

Step 1 `switch# configuration terminal`
Enters the configuration mode.

Step 2 `switch(config)# scheduler logfile size 1024`
Configures the log file to be a maximum of 1024 KB

Step 3 `switch(config)# no scheduler logfile size`
Defaults to the log size of 16 KB.

Clearing the Execution Log File Contents

To clear the contents of the scheduler execution log file, issue the clear scheduler logfile command in EXEC mode.

```
switch# clear scheduler logfile
```

Verifying Scheduler Configuration

To display the command scheduler configuration information, perform one of the following tasks:

Command	Purpose
show scheduler config	Displays the scheduler configuration
show scheduler schedule	Verifies the command scheduler execution status
show scheduler job	Verifies the job definition
show scheduler logfile	Displays the execution log for all jobs executed in the system
clear scheduler logfile	Clear the contents of the scheduler execution log file

For detailed information about the fields in the output from these commands, refer to the *Cisco MDS 9000 Family Command Reference*.

Verifying the Command Scheduler Configuration

To display the scheduler configuration, use the **show scheduler config** command.

```
switch# show scheduler config
config terminal
  feature scheduler
  scheduler logfile size 512
end
config terminal
  scheduler job name addMemVsan99
  config terminal
    vsan database
    vsan 99 interface fc1/1
    vsan 99 interface fc1/2
    vsan 99 interface fc1/3
    vsan 99 interface fc1/4
  end
config terminal
  scheduler schedule name configureVsan99
  time start 2004:8:10:9:52
  job name addMemVsan99
end
```

Verifying the Command Scheduler Execution Status

To verify the command scheduler execution status, use the **show scheduler schedule** command.

```
switch# show scheduler schedule configureVsan99
Schedule Name      : configureVsan99
-----
User Name         : admin
Schedule Type     : Run once on Tue Aug 10 09:48:00 2004
Last Execution Time: Tue Aug 10 09:48:00 2004
-----
Job Name          Status
```

Verifying the Job Definition

To verify the job definition, use the **show scheduler job** command.

```
switch# show scheduler job addMemVsan99
Job Name: addMemVsan99
-----
config terminal
vsan database
vsan 99 interface fcl/1
vsan 99 interface fcl/2
vsan 99 interface fcl/3
vsan 99 interface fcl/4
```

Displaying Execution Log File Contents

To display the execution log for all jobs executed in the system, use the **show scheduler logfile** command.

```
switch# show scheduler logfile
Job Name       : addMemVsan99           Job Status: Success (0)
Schedule Name  : configureVsan99       User Name  : admin
Completion time: Tue Aug 10 09:48:00 2004
----- Job Output -----
`config terminal`
`vsan database`
`vsan 99 interface fcl/1`
`vsan 99 interface fcl/2`
`vsan 99 interface fcl/3`
`vsan 99 interface fcl/4`
```

To display the scheduler password configuration for remote users, use the **show running-config** command.

```
switch# show running-config | include "scheduler aaa-authentication"
scheduler aaa-authentication username newuser password 7 "C98d76S54e"
```



Note The scheduler remote user passwords are always displayed in encrypted form in the **show running-config** command output. The encrypted option (7) in the command exists to support applying the ASCII configuration to the switch.

To display the execution log file configuration, use the **show scheduler config** command.

```
switch# show scheduler config
config terminal
feature scheduler
scheduler logfile size 1024
end
```

Clearing the Execution Log File Contents

To clear the contents of the scheduler execution log file, issue the **clear scheduler logfile** command in EXEC mode.

```
switch# clear scheduler logfile
-----
addMemVsan99                               Success (0)
```

Configuration Examples for Scheduler

```
configure terminal

scheduler job name start
  configure
  no cli var name time
  exit
  echo ${TIMESTAMP} | sed 's/^/cli var name time /' | vsh
  show switchname > debug-$(time)-1
  show switchname > debug-$(time)-2
  exit

scheduler job name part1
  show clock >> debug-$(time)-1
  show interface mgmt 0 >> debug-$(time)-1
  sleep 60
  show clock >> debug-$(time)-1
  show interface mgmt 0 >> debug-$(time)-1
  sleep 200
  gzip debug-$(time)-1
  exit

scheduler job name part2
  show clock >> debug-$(time)-2
  show processes cpu history >> debug-$(time)-2
  sleep 60
  show clock >> debug-$(time)-2
  show processes cpu history >> debug-$(time)-2
  show clock >> debug-$(time)-2
  gzip debug-$(time)-2
  exit

scheduler schedule name cpu-stats
  job name start
  job name part1
  job name part2
  time start 2001:12:31:01:00
  exit

end
```




CHAPTER 7

Monitoring System Processes and Logs

This chapter provides details on monitoring the health of the switch.

- [Information About System Processes and Logs, on page 127](#)
- [Default Settings, on page 132](#)
- [Core and Log Files, on page 132](#)
- [Configuring System Health, on page 134](#)
- [Configuring On-Board Failure Logging, on page 140](#)
- [Verifying System Processes and Logs Configuration, on page 143](#)
- [Configuring Alerts, Notifications, and Monitoring of Counters, on page 155](#)
- [Additional References, on page 159](#)
- [Feature History for System Processes and Logs, on page 159](#)

Information About System Processes and Logs

Saving Cores

You can save cores (from the active supervisor module, the standby supervisor module, or any switching module) to an external CompactFlash (slot 0) or to a TFTP server in one of two ways:

- On demand—Copies a single file based on the provided process ID.
- Periodically—Copies core files periodically as configured by the user.

A new scheme overwrites any previously issued scheme. For example, if you perform another core log copy task, the cores are periodically saved to the new location or file.

Saving the Last Core to Bootflash

This last core dump is automatically saved to bootflash in the `/mnt/pss/` partition before the switchover or reboot occurs. Three minutes after the supervisor module reboots, the saved last core is restored from the flash partition (`/mnt/pss`) back to its original RAM location. This restoration is a background process and is not visible to the user.



Tip The timestamp on the restored last core file displays the time when the supervisor booted up not when the last core was actually dumped. To obtain the exact time of the last core dump, check the corresponding log file with the same PID.

To view the last core information, enter the **show cores** command in EXEC mode.

To view the time of the actual last core dump, enter the **show process log** command in EXEC mode.

First and Last Core

The first and last core feature uses the limited system resource and retains the most important core files. Generally, the first core and the most recently generated core have the information for debugging and, the first and last core feature tries to retain the first and the last core information.

If the core files are generated from an active supervisor module, the number of core files for the service is defined in the service.conf file. There is no upper limit on the total number of core files in the active supervisor module.

To display the core files saved in the system, use the **show cores** command.

Online System Health Management

The Online Health Management System (OHMS) (system health) is a hardware fault detection and recovery feature. It ensures the general health of switching, services, and supervisor modules in any switch in the Cisco MDS 9000 Family.

The OHMS monitors system hardware in the following ways:

- The OHMS component running on the active supervisor maintains control over all other OHMS components running on the other modules in the switch.
- The system health application running in the standby supervisor module only monitors the standby supervisor module, if that module is available in the HA standby mode.

The OHMS application launches a daemon process in all modules and runs multiple tests on each module to test individual module components. The tests run at preconfigured intervals, cover all major fault points, and isolate any failing component in the MDS switch. The OHMS running on the active supervisor maintains control over all other OHMS components running on all other modules in the switch.

On detecting a fault, the system health application attempts the following recovery actions:

- Performs additional testing to isolate the faulty component.
- Attempts to reconfigure the component by retrieving its configuration information from persistent storage.
- If unable to recover, sends Call Home notifications, system messages and exception logs; and shuts down and discontinues testing the failed module or component (such as an interface).
- Sends Call Home and system messages and exception logs as soon as it detects a failure.
- Shuts down the failing module or component (such as an interface).
- Isolates failed ports from further testing.
- Reports the failure to the appropriate software component.
- Switches to the standby supervisor module, if an error is detected on the active supervisor module and a standby supervisor module exists in the Cisco MDS switch. After the switchover, the new active supervisor module restarts the active supervisor tests.

- Reloads the switch if a standby supervisor module does not exist in the switch.
- Provides CLI support to view, test, and obtain test run statistics or change the system health test configuration on the switch.
- Performs tests to focus on the problem area.

Each module is configured to run the test relevant to that module. You can change the default parameters of the test in each module as required.

Loopback Test Configuration Frequency

Loopback tests are designed to identify hardware errors in the data path in the module(s) and the control path in the supervisors. One loopback frame is sent to each module at a preconfigured frequency—it passes through each configured interface and returns to the supervisor module.

The loopback tests can be run at frequencies ranging from 5 seconds (default) to 255 seconds. If you do not configure the loopback frequency value, the default frequency of 5 seconds is used for all modules in the switch. Loopback test frequencies can be altered for each module.

Loopback Test Configuration Frame Length

Loopback tests are designed to identify hardware errors in the data path in the module(s) and the control path in the supervisors. One loopback frame is sent to each module at a preconfigured size—it passes through each configured interface and returns to the supervisor module.

The loopback tests can be run with frame sizes ranging from 0 bytes to 128 bytes. If you do not configure the loopback frame length value, the switch generates random frame lengths for all modules in the switch (auto mode). Loopback test frame lengths can be altered for each module.

Hardware Failure Action

The failure-action command controls the Cisco NX-OS software from taking any action if a hardware failure is determined while running the tests.

By default, this feature is enabled in all switches in the Cisco MDS 9000 Family—action is taken if a failure is determined and the failed component is isolated from further testing.

Failure action is controlled at individual test levels (per module), at the module level (for all tests), or for the entire switch.

Performing Test Run Requirements

Enabling a test does not guarantee that the test will run.

Tests on a specific interface or module only run if you enable system health for all of the following items:

- The entire switch
- The required module
- The required interface



Tip The test will not run if system health is disabled in any combination. If system health is disabled to run tests, the test status shows up as disabled.



Tip If the specific module or interface is enabled to run tests, but is not running the tests due to system health being disabled, then tests show up as enabled (not running).

Tests for a Specified Module

The system health feature in the NX-OS software performs tests in the following areas:

- Active supervisor's in-band connectivity to the fabric.
- Standby supervisor's arbiter availability.
- Bootflash connectivity and accessibility on all modules.
- EOBC connectivity and accessibility on all modules.
- Data path integrity for each interface on all modules.
- Management port's connectivity.
- User-driven test for external connectivity verification, port is shut down during the test (Fibre Channel ports only).
- User-driven test for internal connectivity verification (Fibre Channel and iSCSI ports).



Note In Cisco MDS 9700 Series Switches, iSCSI ports are not applicable.

Clearing Previous Error Reports

You can clear the error history for Fibre Channel interfaces, iSCSI interfaces, an entire module, or one particular test for an entire module. By clearing the history, you are directing the software to retest all failed components that were previously excluded from tests.

If you previously enabled the failure-action option for a period of time (for example, one week) to prevent OHMS from taking any action when a failure is encountered and after that week you are now ready to start receiving these errors again, then you must clear the system health error status for each test.



Tip The management port test cannot be run on a standby supervisor module.

Interpreting the Current Status

The status of each module or test depends on the current configured state of the OHMS test in that particular module (see [Table 19: OHMS Configured Status for Tests and Modules](#), on page 131).

Table 19: OHMS Configured Status for Tests and Modules

Status	Description
Enabled	You have currently enabled the test in this module and the test is not running.
Disabled	You have currently disabled the test in this module.
Running	You have enabled the test and the test is currently running in this module.
Failing	This state is displayed if a failure is imminent for the test running in this module—possibility of test recovery exists in this state.
Failed	The test has failed in this module—and the state cannot be recovered.
Stopped	The test has been internally stopped in this module by the Cisco NX-OS software.
Internal failure	The test encountered an internal failure in this module. For example, the system health application is not able to open a socket as part of the test procedure.
Diags failed	The startup diagnostics has failed for this module or interface.
On demand	The system health external-loopback or the system health internal-loopback tests are currently running in this module. Only these two commands can be issued on demand.
Suspended	Only encountered in the MDS 9100 Series due to one oversubscribed port moving to a E or TE port mode. If one oversubscribed port moves to this mode, the other three oversubscribed ports in the group are suspended.

The status of each test in each module is visible when you display any of the **show system health** commands. See the [Displaying System Health](#), on page 150.

On-Board Failure Logging

The Generation 2 Fibre Channel switching modules provide the facility to log failure data to persistent storage, which can be retrieved and displayed for analysis. This on-board failure logging (OBFL) feature stores failure and environmental information in nonvolatile memory on the module. The information will help in post-mortem analysis of failed cards.

OBFL data is stored in the existing CompactFlash on the module. OBFL uses the persistent logging (PLOG) facility available in the module firmware to store data in the CompactFlash. It also provides the mechanism to retrieve the stored data.

The data stored by the OBFL facility includes the following:

- Time of initial power-on
- Slot number of the card in the chassis
- Initial temperature of the card
- Firmware, BIOS, FPGA, and ASIC versions
- Serial number of the card
- Stack trace for crashes
- CPU hog information
- Memory leak information

- Software error messages
- Hardware exception logs
- Environmental history
- OBFL specific history information
- ASIC interrupt and error statistics history
- ASIC register dumps

Default Settings

[Table 20: Default System Health and Log Settings](#), on page 132 lists the default system health and log settings.

Table 20: Default System Health and Log Settings

Parameters	Default
Kernel core generation	One module
System health	Enabled
Loopback frequency	5 seconds
Failure action	Enabled

Core and Log Files

Saving Cores

To copy the core and log files on demand, follow this step:

Before you begin

Be sure to create any required directory before performing this task. If the directory specified by this task does not exist, the switch software logs a system message each time a copy cores is attempted.

Procedure

-
- Step 1** switch# **show cores**
Displays all the core files.
- Step 2** switch# **copy core:7407 slot0:coreSample**
Copies the core file with the process ID 7407 as coreSample in slot 0.
- Step 3** switch# **copy core://5/1524 tftp://1.1.1.1/abcd**

Copies cores (if any) of a process with PID 1524 generated on slot 5¹ or slot 7² to the TFTP server at IPv4 address 1.1.1.1.

Note You can also use IPv6 addresses to identify the TFTP server.

Copying Files Periodically

To copy the core and log files periodically, follow these steps:

Procedure

- Step 1** switch# **show system cores**
Displays all the core files.
- Step 2** switch# **configure terminal**
Enters configuration mode.
- Step 3** switch(config)# **system cores slot0:coreSample**
Copies the core file (coreSample) to slot 0.
- Step 4** switch(config)# **system cores tftp://1.1.1.1/abcd**
Copies the core file (abcd) in the specified directory on the TFTP server at IPv4 address 1.1.1.1.
- Note** You can also use IPv6 addresses to identify the TFTP server.
- Step 5** switch(config)# **no system cores**
Disables the core files copying feature.
-

Examples

If the core file for the specified process ID (PID) is not available, you see the following response:

```
switch# copy core://7/123 slot0:abcd
No matching core file found

switch# copy core:133 slot0:foo
Enter module number:7
No matching core file found

switch# copy core://7/133 slot0:foo
No matching core file found
```

To copy the same PID with different instance number, do as follows:

¹ Cisco MDS 9506 or Cisco MDS 9509 switch

² Cisco MDS 9513 Director

```
switch# copy core:?
core: Enter URL "core://<module-number>/<process-id>[/instance-num]"
```

Clearing the Core Directory

Use the **clear cores** command to clean out the core directory. The software clears all the core files and other cores present on the active supervisor module.

```
switch# clear cores
```

Configuring System Health

The Online Health Management System (OHMS) (system health) is a hardware fault detection and recovery feature. It ensures the general health of switching, services, and supervisor modules in any switch in the Cisco MDS 9000 Family.

Task Flow for Configuring System Health

Follow these steps to configure system health:

Procedure

- Step 1** Enable System Health Initiation.
 - Step 2** Configure Loopback Test Configuration Frequency.
 - Step 3** Configure Loopback Test Configuration Frame Length.
 - Step 4** Configure Hardware Failure Action.
 - Step 5** Perform Test Run Requirements.
 - Step 6** Clear Previous Error Reports.
 - Step 7** Perform Internal Loopback Tests.
 - Step 8** Perform External Loopback Tests.
 - Step 9** Perform Serdes Loopbacks.
-

Enabling System Health Initiation

By default, the system health feature is enabled in each switch in the Cisco MDS 9000 Family.

To disable or enable this feature in any switch in the Cisco MDS 9000 Family, follow these steps:

Procedure

- Step 1** switch# **configure terminal**

Enters configuration mode.

Step 2 switch(config)# **no system health**

System Health is disabled.

Disables system health from running tests in this switch.

Step 3 switch(config)# **system health**

System Health is enabled.

Enables (default) system health to run tests in this switch.

Step 4 switch(config)# **no system health interface fc8/1**

System health for interface fc8/13 is disabled.

Disables system health from testing the specified interface.

Step 5 switch(config)# **system health interface fc8/1**

System health for interface fc8/13 is enabled.

Enables (default) system health to test for the specified interface.

Configuring Loopback Test Configuration Frequency

To configure the frequency of loopback tests for all modules on a switch, follow these steps:

Procedure

Step 1 switch# **configure terminal**

Enters configuration mode.

Step 2 switch(config)# **system health loopback frequency 50**

The new frequency is set at 50 Seconds.

Configures the loopback frequency to 50 seconds. The default loopback frequency is 5 seconds. The valid range is from 5 to 255 seconds.

Configuring Loopback Test Configuration Frame Length

To configure the frame length for loopback tests for all modules on a switch, follow these steps:

Procedure

- Step 1** switch# **configure terminal**
Enters configuration mode.
- Step 2** switch(config)# **system health loopback frame-length 128**
Configures the loopback frame length to 128 bytes. The valid range is 0 to 128 bytes.
- Step 3** switch(config)# **system health loopback frame-length auto**
Configures the loopback frame length to automatically generate random lengths (default).
-

Configuring Hardware Failure Action

To configure failure action in a switch, follow these steps:

Procedure

- Step 1** switch# **configure terminal**
Enters configuration mode.
- Step 2** switch(config)# **system health failure-action**

System health global failure action is now enabled.

Enables the switch to take failure action (default).
- Step 3** switch(config)# **no system health failure-action**

System health global failure action now disabled.

Reverts the switch configuration to prevent failure action being taken.
- Step 4** switch(config)# **system health module 1 failure-action**

System health failure action for module 1 is now enabled.

Enables switch to take failure action for failures in module 1.
- Step 5** switch(config)# **no system health module 1 loopback failure-action**

System health failure action for module 1 loopback test is now disabled.

Prevents the switch from taking action on failures determined by the loopback test in module 1.

Performing Test Run Requirements

To perform the required test on a specific module, follow these steps:

Procedure

- Step 1** `switch# configure terminal`
Enters configuration mode.
- Note** The following steps can be performed in any order.
- Note** The various options for each test are described in the next step. Each command can be configured in any order. The various options are presented in the same step for documentation purposes.
- Step 2** `switch(config)# system health module 8 bootflash`
Enables the bootflash test on module in slot 8.
- Step 3** `switch(config)# system health module 8 bootflash frequency 200`
Sets the new frequency of the bootflash test on module 8 to 200 seconds.
- Step 4** `switch(config)# system health module 8 eobc`
Enables the EOBC test on module in slot 8.
- Step 5** `switch(config)# system health module 8 loopback`
Enables the loopback test on module in slot 8.
- Step 6** `switch(config)# system health module 5 management`
Enables the management test on module in slot 5.
-

Clearing Previous Error Reports

Use the EXEC-level **system health clear-errors** command at the interface or module level to erase any previous error conditions logged by the system health application. The **bootflash**, the **eobc**, the **inband**, the **loopback**, and the **mgmt** test options can be individually specified for a given module.

The following example clears the error history for the specified Fibre Channel interface:

```
switch# system health clear-errors interface fc 3/1
```

The following example clears the error history for the specified module:

```
switch# system health clear-errors module 3
```

The following example clears the management test error history for the specified module:

```
switch# system health clear-errors module 1 mgmt
```

Performing Internal Loopback Tests

You can run manual loopback tests to identify hardware errors in the data path in the switching or services modules, and the control path in the supervisor modules. Internal loopback tests send and receive FC2 frames to and from the same ports and provide the round-trip time taken in microseconds. These tests are available for Fibre Channel, IPS, and iSCSI interfaces.

Use the EXEC-level **system health internal-loopback** command to explicitly run this test on demand (when requested by the user) within ports for the entire module.

```
switch# system health internal-loopback interface iscsi 8/1
Internal loopback test on interface iscsi8/1 was successful.
Sent 1 received 1 frames
Round trip time taken is 79 useconds
```

Use the EXEC-level **system health internal-loopback** command to explicitly run this test on demand (when requested by the user) within ports for the entire module and override the frame count configured on the switch.

```
switch# system health internal-loopback interface iscsi 8/1 frame-count 20
Internal loopback test on interface iscsi8/1 was successful.
Sent 1 received 1 frames
Round trip time taken is 79 useconds
```

Use the EXEC-level **system health internal-loopback** command to explicitly run this test on demand (when requested by the user) within ports for the entire module and override the frame length configured on the switch.

```
switch# system health internal-loopback interface iscsi 8/1 frame-count 32
Internal loopback test on interface iscsi8/1 was successful.
Sent 1 received 1 frames
Round trip time taken is 79 useconds
```



Note

If the test fails to complete successfully, the software analyzes the failure and prints the following error:
External loopback test on interface fc 7/2 failed. Failure reason: Failed to loopback, analysis complete Failed device ID 3 on module 1

Performing External Loopback Tests

You can run manual loopback tests to identify hardware errors in the data path in the switching or services modules, and the control path in the supervisor modules. External loopback tests send and receive FC2 frames to and from the same port or between two ports.

You need to connect a cable (or a plug) to loop the Rx port to the Tx port before running the test. If you are testing to and from the same port, you need a special loop cable. If you are testing to and from different ports, you can use a regular cable. This test is only available for Fibre Channel interfaces.

Use the EXEC-level **system health external-loopback interface *interface*** command to run this test on demand for external devices connected to a switch that is part of a long-haul network.

```
switch# system health external-loopback interface fc 3/1
This will shut the requested interfaces Do you want to continue (y/n)? [n] y
External loopback test on interface fc3/1 was successful.
Sent 1 received 1 frames
```

Use the EXEC-level **system health external-loopback source *interface* destination interface *interface*** command to run this test on demand between two ports on the switch.

```
switch# system health external-loopback source interface fc 3/1 destination interface fc
3/2
This will shut the requested interfaces Do you want to continue (y/n)? [n] y
External loopback test on interface fc3/1 and interface fc3/2 was successful.
Sent 1 received 1 frames
```

Use the EXEC-level **system health external-loopback *interface* frame-count** command to run this test on demand for external devices connected to a switch that is part of a long-haul network and override the frame count configured on the switch.

```
switch# system health external-loopback interface fc 3/1 frame-count 10
This will shut the requested interfaces Do you want to continue (y/n)? [n] y
External loopback test on interface fc3/1 was successful.
Sent 1 received 1 frames
```

Use the EXEC-level **system health external-loopback *interface* frame-length** command to run this test on demand for external devices connected to a switch that is part of a long-haul network and override the frame length configured on the switch.

```
switch# system health external-loopback interface fc 3/1 frame-length 64
This will shut the requested interfaces Do you want to continue (y/n)? [n] y
External loopback test on interface fc3/1 was successful.
Sent 1 received 1 frames
```

Use the **system health external-loopback *interface* force** command to shut down the required interface directly without a back out confirmation.

```
switch# system health external-loopback interface fc 3/1 force
External loopback test on interface fc3/1 was successful.
Sent 1 received 1 frames
```



Note If the test fails to complete successfully, the software analyzes the failure and prints the following error:
External loopback test on interface fc 7/2 failed. Failure reason: Failed to loopback, analysis complete Failed device ID 3 on module 1

Performing Serdes Loopbacks

Serializer/Deserializer (serdes) loopback tests the hardware for a port. These tests are available for Fibre Channel interfaces.

Use the EXEC-level **system health serdes-loopback** command to explicitly run this test on demand (when requested by the user) within ports for the entire module.

```
switch# system health serdes-loopback interface fc 3/1
This will shut the requested interfaces Do you want to continue (y/n)? [n] y
Serdes loopback test passed for module 3 port 1
```

Use the EXEC-level **system health serdes-loopback** command to explicitly run this test on demand (when requested by the user) within ports for the entire module and override the frame count configured on the switch.

```
switch# system health serdes-loopback interface fc 3/1 frame-count 10
This will shut the requested interfaces Do you want to continue (y/n)? [n] y
Serdes loopback test passed for module 3 port 1
```

Use the EXEC-level **system health serdes-loopback** command to explicitly run this test on demand (when requested by the user) within ports for the entire module and override the frame length configured on the switch.

```
switch# system health serdes-loopback interface fc 3/1 frame-length 32
This will shut the requested interfaces Do you want to continue (y/n)? [n] y
Serdes loopback test passed for module 3 port 1
```



Note If the test fails to complete successfully, the software analyzes the failure and prints the following error:
External loopback test on interface fc 3/1 failed. Failure reason: Failed to loopback, analysis complete Failed device ID 3 on module 3.

Configuring On-Board Failure Logging

The Generation 2 Fibre Channel switching modules provide the facility to log failure data to persistent storage, which can be retrieved and displayed for analysis. This on-board failure logging (OBFL) feature stores failure and environmental information in nonvolatile memory on the module. The information will help in post-mortem analysis of failed cards.

Configuring OBFL for the Switch

To configure OBFL for all the modules on the switch, follow these steps:

Procedure

- Step 1** switch# **configure terminal**
Enters configuration mode.
- Step 2** switch(config)# **hw-module logging onboard**
Enables all OBFL features.
- Note** This CLI only enable OBFL features that are disabled by no hw-module logging onboard command. For OBFL features that were individually disabled, please enable those using hw-module logging onboard obfl-feature command.
- Step 3** switch(config)# **hw-module logging onboard cpu-hog**
Enables the OBFL CPU hog events.
- Step 4** switch(config)# **hw-module logging onboard environmental-history**
Enables the OBFL environmental history.
- Step 5** switch(config)# **hw-module logging onboard error-stats**
Enables the OBFL error statistics.
- Step 6** switch(config)# **hw-module logging onboard interrupt-stats**
Enables the OBFL interrupt statistics.
- Step 7** switch(config)# **hw-module logging onboard mem-leak**
Enables the OBFL memory leak events.
- Step 8** switch(config)# **hw-module logging onboard miscellaneous-error**
Enables the OBFL miscellaneous information.
- Step 9** switch(config)# **hw-module logging onboard obfl-log**
Enables the boot uptime, device version, and OBFL history.
- Step 10** switch(config)# **no hw-module logging onboard**
Disables all OBFL features.
-

Configuring OBFL for a Module

To configure OBFL for specific modules on the switch, follow these steps:

Procedure

- Step 1** switch# **configure terminal**
Enters configuration mode.
- Step 2** switch(config)# **hw-module logging onboard module 1**
Enables all OBFL features on a module.
- Step 3** switch(config)# **hw-module logging onboard module 1 cpu-hog**
Enables the OBFL CPU hog events on a module.
- Step 4** switch(config)# **hw-module logging onboard module 1 environmental-history**
Enables the OBFL environmental history on a module.
- Step 5** switch(config)# **hw-module logging onboard module 1 error-stats**
Enables the OBFL error statistics on a module.
- Step 6** switch(config)# **hw-module logging onboard module 1 interrupt-stats**
Enables the OBFL interrupt statistics on a module.
- Step 7** switch(config)# **hw-module logging onboard module 1 mem-leak**
Enables the OBFL memory leak events on a module.
- Step 8** switch(config)# **hw-module logging onboard module 1 miscellaneous-error**
Enables the OBFL miscellaneous information on a module.
- Step 9** switch(config)# **hw-module logging onboard module 1 obfl-log**
Enables the boot uptime, device version, and OBFL history on a module.
- Step 10** switch(config)# **no hw-module logging onboard module 1**
Disables all OBFL features on a module.
-

Clearing the Module Counters



Note The module counters cannot be cleared using Device Manager or DCNM-SAN.

To reset the module counters, follow these steps:

Procedure

- Step 1** switch# **attach module 1**

ModuleX#

Attaches module 1 to the chassis.

Step 2 ModuleX# **clear asic-cnt all**
Clears the counters for all the devices in the module.

Step 3 ModuleX# **clear asic-cnt list-all-devices**
ModuleX# **clear asic-cnt device-id** *device-id*
Clears the counters for only the specified device ID. The device ID can vary from 1 through 255.

Resetting Counters for All Modules

To reset the counters for all the modules, follow these steps:

Procedure

switch# **debug system internal clear-counters all**

Clears the counters for all the modules in the switch.

Verifying System Processes and Logs Configuration

To display the system processes and logs configuration information, perform one of the following tasks:

Command	Purpose
show processes	Displays system processes
show system	Displays system-related status information
show system cores	Display the currently configured scheme for copying cores
show system health	Displays system-related status information
show system health loopback frame-length	Verifies the loopback frequency configuration
show logging onboard status	Displays the configuration status of OBFL

For detailed information about the fields in the output from these commands, refer to the [Cisco MDS 9000 Family Command Reference](#).

Displaying System Processes

Use the **show processes** command to obtain general information about all processes (see [CPU Utilization Information, on page 144](#) to [Memory Information About Processes , on page 146](#)).

Displays System Processes

The following example displays system processes

```
switch# show processes

PID      State  PC          Start_cnt  TTY  Process
-----  -
868      S      2ae4f33e   1          -    snmpd
869      S      2acee33e   1          -    rscn
870      S      2ac36c24   1          -    qos
871      S      2ac44c24   1          -    port-channel
872      S      2ac7a33e   1          -    ntp
-        ER      -          1          -    mdog
-        NR      -          0          -    vbuilder
```

Where:

- ProcessId = Process ID
- State = process state.
 - D = uninterruptible sleep (usually I/O).
 - R = runnable (on run queue).
 - S = sleeping.
 - T = traced or stopped.
 - Z = defunct (“zombie”) process.
- NR = not running.
- ER = should be running but currently not-running.
- PC = current program counter in hex format.
- Start_cnt = number of times a process has been started (or restarted).
- TTY = terminal that controls the process. A hyphen usually means a daemon not running on any particular TTY.
- Process Name = name Name of the process.

CPU Utilization Information

The following example displays CPU Utilization Information

```
switch# show processes cpu

PID      Runtime (ms)  Invoked  uSecs  lSec  Process
-----  -
842      3807          137001   27     0.0   sysmgr
1112     1220          67974    17     0.0   syslogd
1269     220           13568    16     0.0   fcfwd
1276     2901          15419    188    0.0   zone
1277     738           21010    35     0.0   xbar_client
1278     1159          6789     170    0.0   wwn
1279     515           67617    7      0.0   vsan
```


Where:

- MemAllocated = Sum of all the dynamically allocated memory that this process has received from the system, including memory that may have been returned
- Runtime CPU Time (ms) = CPU time the process has used, expressed in milliseconds.microseconds
- Invoked = number of times the process has been invoked.
- uSecs = microseconds of CPU time on average for each process invocation.
- lSec = CPU utilization in percentage for the last one second.

Process Log Information

The following example displays process log information:

```
switch# show processes log
Process          PID      Normal-exit  Stack-trace  Core      Log-create-time
-----
fspf             1339     N            Y            N         Jan  5 04:25
lcm              1559     N            Y            N         Jan  2 04:49
rib              1741     N            Y            N         Jan  1 06:05
```

Where:

- Normal-exit = whether or not the process exited normally.
- Stack-trace = whether or not there is a stack trace in the log.
- Core = whether or not there exists a core file.
- Log-create-time = when the log file got generated.

Detail Log Information About a Process

The following example displays detail log information about a process

```
switch# show processes log pid 1339

Service: fspf
Description: FSPF Routing Protocol Application
Started at Sat Jan  5 03:23:44 1980 (545631 us)
Stopped at Sat Jan  5 04:25:57 1980 (819598 us)
Uptime: 1 hours 2 minutes 2 seconds
Start type: SRV_OPTION_RESTART_STATELESS (23)
Death reason: SYSMGR_DEATH_REASON_FAILURE_SIGNAL (2)
Exit code: signal 9 (no core)
CWD: /var/sysmgr/work
Virtual Memory:
  CODE      08048000 - 0809A100
  DATA     0809B100 - 0809B65C
  BRK       0809D988 - 080CD000
  STACK     7FFFD20
  TOTAL     23764 KB
Register Set:
  EBX 00000005      ECX 7FFFF8CC      EDX 00000000
  ESI 00000000      EDI 7FFFF6CC      EBP 7FFFF95C
  EAX FFFFFFFD     XDS 8010002B      XES 0000002B
  EAX 0000008E (orig)  EIP 2ACE133E      XCS 00000023
  EFL 00000207      ESP 7FFFF654      XSS 0000002B
Stack: 1740 bytes. ESP 7FFFF654, TOP 7FFFD20
```

```

0x7FFFF654: 00000000 00000008 00000003 08051E95 .....
0x7FFFF664: 00000005 7FFFF8CC 00000000 00000000 .....
0x7FFFF674: 7FFFF6CC 00000001 7FFFF95C 080522CD .....\"..
0x7FFFF684: 7FFFF9A4 00000008 7FFFFC34 2AC1F18C .....4.....*

```

All Process Log Details

The following example displays all process log details

```

switch# show processes log details
=====
Service: snmpd
Description: SNMP Agent
Started at Wed Jan  9 00:14:55 1980 (597263 us)
Stopped at Fri Jan 11 10:08:36 1980 (649860 us)
Uptime: 2 days 9 hours 53 minutes 53 seconds
Start type: SRV_OPTION_RESTART_STATEFUL (24)
Death reason: SYSMGR_DEATH_REASON_FAILURE_SIGNAL (2)
Exit code: signal 6 (core dumped)
CWD: /var/sysmgr/work
Virtual Memory:
  CODE      08048000 - 0804C4A0
  DATA     0804D4A0 - 0804D770
  BRK       0804DFC4 - 0818F000
  STACK     7FFFFCE0
  TOTAL     26656 KB
...

```

Memory Information About Processes

The following example displays memory information about processes

```

switch# show processes memory
-----
PID      MemAlloc  MemLimit  MemUsed   StackBase/Ptr  Process
-----
  1      147456   0         1667072   7ffffe50/7ffff950  init
  2         0     0           0           0/0          ksoftirqd/0
  3         0     0           0           0/0          desched/0
  4         0     0           0           0/0          events/0
  5         0     0           0           0/0          khelper

```

Where:

- MemAlloc = total memory allocated by the process.
- StackBase/Ptr = process stack base and current stack pointer in hex format.

Displaying System Status

Use the **show system** command to display system-related status information (see [Default Switch Port States, on page 146](#) to [System Related CPU and Memory Information, on page 148](#)).

Default Switch Port States

The following example displays default switch port states:

```
switch# show system default switchport
System default port state is down
System default trunk mode is on
```

Error Information for a Specified ID

The following example displays error information for a specified ID:

```
switch# show system error-id 0x401D0019
Error Facility: module
Error Description: Failed to stop Linecard Async Notification.
```

System Reset Information

The following example displays the System Reset Information:

```
switch# Show system reset-reason module 5
----- reset reason for module 5 -----
1) At 224801 usecs after Fri Nov 21 16:36:40 2003
   Reason: Reset Requested by CLI command reload
   Service:
   Version: 1.3(1)
2) At 922828 usecs after Fri Nov 21 16:02:48 2003
   Reason: Reset Requested by CLI command reload
   Service:
   Version: 1.3(1)
3) At 318034 usecs after Fri Nov 21 14:03:36 2003
   Reason: Reset Requested by CLI command reload
   Service:
   Version: 1.3(1)
4) At 255842 usecs after Wed Nov 19 00:07:49 2003
   Reason: Reset Requested by CLI command reload
   Service:
   Version: 1.3(1)
```

The **show system reset-reason** command displays the following information:

- In a Cisco MDS 9513 Director, the last four reset-reason codes for the supervisor module in slot 7 and slot 8 are displayed. If either supervisor module is absent, the reset-reason codes for that supervisor module are not displayed.
- In a Cisco MDS 9506 or Cisco MDS 9509 switch, the last four reset-reason codes for the supervisor module in slot 5 and slot 6 are displayed. If either supervisor module is absent, the reset-reason codes for that supervisor module are not displayed.
- In a Cisco MDS 9200 Series switch, the last four reset-reason codes for the supervisor module in slot 1 are displayed.
- The **show system reset-reason module *number*** command displays the last four reset-reason codes for a specific module in a given slot. If a module is absent, then the reset-reason codes for that module are not displayed.

Use the **clear system reset-reason** command to clear the reset-reason information stored in NVRAM and volatile persistent storage.

- In a Cisco MDS 9500 Series switch, this command clears the reset-reason information stored in NVRAM in the active and standby supervisor modules.

- In a Cisco MDS 9200 Series switch, this command clears the reset-reason information stored in NVRAM in the active supervisor module.

System Uptime

The following example displays system uptime:

```
switch# show system uptime
Start Time: Sun Oct 13 18:09:23 2030
Up Time:    0 days, 9 hours, 46 minutes, 26 seconds
```

Use the **show system resources** command to display system-related CPU and memory statistics (see [System Related CPU and Memory Information, on page 148](#)).

System Related CPU and Memory Information

The following example displays system related CPU and memory information:

```
switch# show system resources
Load average:  1 minute: 0.43   5 minutes: 0.17   15 minutes: 0.11
Processes   :  100 total, 2 running
CPU states  :  0.0% user,   0.0% kernel, 100.0% idle
Memory usage: 1027628K total,  313424K used,  714204K free
              3620K buffers,   22278K cache
```

Where:

- Load average—Displays the number of running processes. The average reflects the system load over the past 1, 5, and 15 minutes.
- Processes—Displays the number of processes in the system, and how many are actually running when the command is issued.
- CPU states—Displays the CPU usage percentage in user mode, kernel mode, and idle time in the last one second.
- Memory usage—Displays the total memory, used memory, free memory, memory used for buffers, and memory used for cache in KB. Buffers and cache are also included in the *used* memory statistics.

Displaying Core Status

Use the **show system cores** command to display the currently configured scheme for copying cores. See Examples [Message when Cores are Transferred to TFTP, on page 148](#) to [Logs on the Local System, on page 149](#).

Message when Cores are Transferred to TFTP

The following example displays message when cores are transferred to TFTP:

```
switch# show system cores
Cores are transferred to tftp://171.69.21.28/ernguyen/CORE/
```

Message when Cores are Transferred to the External CF

The following example displays message when cores are transferred to the External CF:

```
switch(config)# show system cores
Cores are transferred to slot0:abcd
```

All Cores Available for Upload from the Active Supervisor Module

The following example displays all cores available for upload from the active supervisor module:

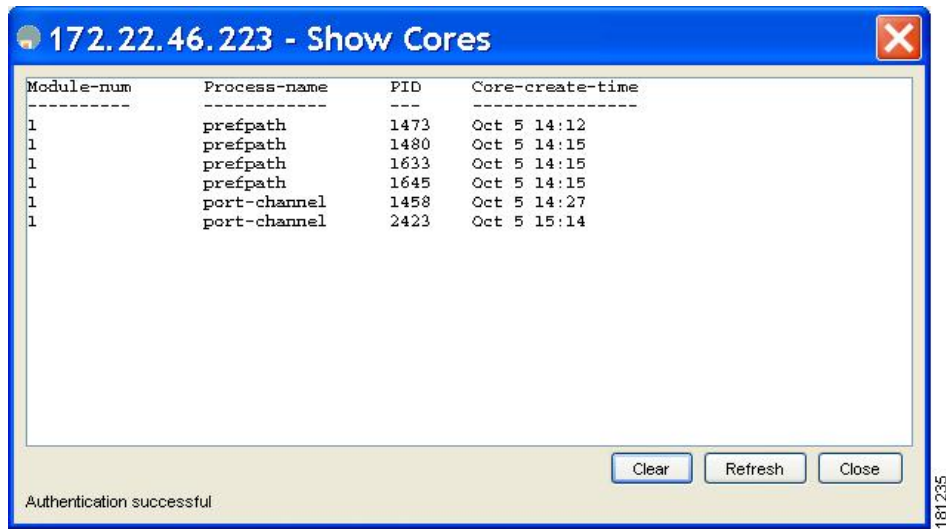
```
switch# show cores
Module-num  Process-name  PID  Core-create-time
-----
5           fspf          1524 Nov 9 03:11
6           fcc           919  Nov 9 03:09
8           acltcam       285  Nov 9 03:09
8           fib           283  Nov 9 03:08
```

Logs on the Local System

The following example displays logs on the local system:

```
switch# show processes log
Process      PID      Normal-exit  Stack  Core  Log-create-time
-----
ExceptionLog 2862      N            Y      N    Wed Aug 6 15:08:34 2003
acl           2299      N            Y      N    Tue Oct 28 02:50:01 2003
bios_daemon  2227      N            Y      N    Mon Sep 29 15:30:51 2003
capability    2373      N            Y      N    Tue Aug 19 13:30:02 2003
core-client   2262      N            Y      N    Mon Sep 29 15:30:51 2003
fcanalyzer    5623      N            Y      N    Fri Sep 26 20:45:09 2003
fcd           12996     N            Y      N    Fri Oct 17 20:35:01 2003
fcdomain     2410      N            Y      N    Thu Jun 12 09:30:58 2003
ficon        2708      N            Y      N    Wed Nov 12 18:34:02 2003
ficonstat    9640      N            Y      N    Tue Sep 30 22:55:03 2003
flogi        1300      N            Y      N    Fri Jun 20 08:52:33 2003
idehsd       2176      N            Y      N    Tue Jun 24 05:10:56 2003
lmgrd        2220      N            N      N    Mon Sep 29 15:30:51 2003
platform     2840      N            Y      N    Sat Oct 11 18:29:42 2003
port-security 3098      N            Y      N    Sun Sep 14 22:10:28 2003
port         11818     N            Y      N    Mon Nov 17 23:13:37 2003
rlir         3195      N            Y      N    Fri Jun 27 18:01:05 2003
rscn         2319      N            Y      N    Mon Sep 29 21:19:14 2003
securityd    2239      N            N      N    Thu Oct 16 18:51:39 2003
snmpd        2364      N            Y      N    Mon Nov 17 23:19:39 2003
span         2220      N            Y      N    Mon Sep 29 21:19:13 2003
syslogd      2076      N            Y      N    Sat Oct 11 18:29:40 2003
tcap         2864      N            Y      N    Wed Aug 6 15:09:04 2003
tftpd        2021      N            Y      N    Mon Sep 29 15:30:51 2003
vpm          2930      N            N      N    Mon Nov 17 19:14:33 2003
```

Figure 4: Show Cores Dialog Box



Verifying First and Last Core Status

You can view specific information about the saved core files. [Regular Service on vdc 2 on Active Supervisor Module](#), on page 150 provides further details on saved core files.

Regular Service on vdc 2 on Active Supervisor Module

There are five radius core files from vdc2 on the active supervisor module. The second and third oldest files are deleted to comply with the number of core files defined in the service.conf file.

```
switch# show cores vdc vdc2
VDC No Module-num Process-name PID Core-create-time
-----
2 5 radius 6100 Jan 29 01:47
2 5 radius 6101 Jan 29 01:55
2 5 radius 6102 Jan 29 01:55
2 5 radius 6103 Jan 29 01:55
2 5 radius 6104 Jan 29 01:57
```

```
switch# show cores vdc vdc2
VDC No Module-num Process-name PID Core-create-time
-----
2 5 radius 6100 Jan 29 01:47
2 5 radius 6103 Jan 29 01:55
2 5 radius 6104 Jan 29 01:57
```

Displaying System Health

Use the **show system health** command to display system-related status information (see [Current Health of All Modules in the Switch](#), on page 151 to [Loopback Test Time Log for a Specified Module](#), on page 153).

Current Health of All Modules in the Switch

The following example displays the current health of all modules in the switch:

```
switch# show system health

Current health information for module 2.
Test                Frequency      Status      Action
-----
Bootflash           5 Sec         Running     Enabled
EOBC                 5 Sec         Running     Enabled
Loopback            5 Sec         Running     Enabled
-----
Current health information for module 6.
Test                Frequency      Status      Action
-----
InBand              5 Sec         Running     Enabled
Bootflash           5 Sec         Running     Enabled
EOBC                 5 Sec         Running     Enabled
Management Port    5 Sec         Running     Enabled
-----
```

Current Health of a Specified Module

The following example displays the current health of a specified module:

```
switch# show system health module 8
Current health information for module 8.
Test                Frequency      Status      Action
-----
Bootflash           5 Sec         Running     Enabled
EOBC                 5 Sec         Running     Enabled
Loopback            5 Sec         Running     Enabled
-----
```

Health Statistics for All Modules

The following example displays health statistics for all modules:

```
switch# show system health statistics
Test statistics for module # 1
-----
Test Name          State          Frequency Run  Pass  Fail CFail Errs
-----
Bootflash          Running        5s   12900 12900    0    0    0
EOBC               Running        5s   12900 12900    0    0    0
Loopback           Running        5s   12900 12900    0    0    0
-----
Test statistics for module # 3
-----
Test Name          State          Frequency Run  Pass  Fail CFail Errs
-----
Bootflash          Running        5s   12890 12890    0    0    0
EOBC               Running        5s   12890 12890    0    0    0
Loopback           Running        5s   12892 12892    0    0    0
-----
```

Test statistics for module # 5

Test Name	State	Frequency	Run	Pass	Fail	CFail	Errs
InBand	Running	5s	12911	12911	0	0	0
Bootflash	Running	5s	12911	12911	0	0	0
EOBC	Running	5s	12911	12911	0	0	0
Management Port	Running	5s	12911	12911	0	0	0

Test statistics for module # 6

Test Name	State	Frequency	Run	Pass	Fail	CFail	Errs
InBand	Running	5s	12907	12907	0	0	0
Bootflash	Running	5s	12907	12907	0	0	0
EOBC	Running	5s	12907	12907	0	0	0

Test statistics for module # 8

Test Name	State	Frequency	Run	Pass	Fail	CFail	Errs
Bootflash	Running	5s	12895	12895	0	0	0
EOBC	Running	5s	12895	12895	0	0	0
Loopback	Running	5s	12896	12896	0	0	0

Displays Statistics for a Specified Module

The following example displays statistics for a specified module:

```
switch# show system health statistics module 3
```

Test statistics for module # 3

Test Name	State	Frequency	Run	Pass	Fail	CFail	Errs
Bootflash	Running	5s	12932	12932	0	0	0
EOBC	Running	5s	12932	12932	0	0	0
Loopback	Running	5s	12934	12934	0	0	0

Loopback Test Statistics for the Entire Switch

The following example displays loopback test statistics for the entire switch:

```
switch# show system health statistics loopback
```

Mod	Port	Status	Run	Pass	Fail	CFail	Errs
1	16	Running	12953	12953	0	0	0
3	32	Running	12945	12945	0	0	0
8	8	Running	12949	12949	0	0	0

Loopback Test Statistics for a Specified Interface

The following example displays loopback test statistics for a specified interface:


```
switch# show system health statistics loopback interface fc 3/1
-----
Mod Port Status                Run    Pass    Fail    CFail Errs
  3   1 Running                    0      0      0      0     0
-----
```



Note Interface-specific counters will remain at zero unless the module-specific loopback test reports errors or failures.

Loopback Test Time Log for All Modules

The following example displays loopback test time log for all modules:

```
switch# show system health statistics loopback timelog
-----
Mod      Samples      Min(usecs)      Max(usecs)      Ave(usecs)
  1         1872           149             364             222
  3         1862           415             743             549
  8         1865           134             455             349
-----
```

Loopback Test Time Log for a Specified Module

The following example displays the loopback test time log for a specified module:

```
switch# show system health statistics loopback module 8 timelog
-----
Mod      Samples      Min(usecs)      Max(usecs)      Ave(usecs)
  8         1867           134             455             349
-----
```

Verifying Loopback Test Configuration Frame Length

To verify the loopback frequency configuration, use the **show system health loopback frame-length** command.

```
switch# show system health loopback frame-length
Loopback frame length is set to auto-size between 0-128 bytes
```

Displaying OBFL for the Switch

Use the **show logging onboard status** command to display the configuration status of OBFL.

```
switch# show logging onboard status
Switch OBFL Log:                               Enabled
Module: 6 OBFL Log:                             Enabled
error-stats                                    Enabled
exception-log                                  Enabled
miscellaneous-error                            Enabled
obfl-log (boot-uptime/device-version/obfl-history) Enabled
```

```

system-health      Enabled
stack-trace        Enabled

```

Displaying the OBFL for a Module

Use the `show logging onboard status` command to display the configuration status of OBFL.

```

switch# show logging onboard status
Switch OBFL Log:                Enabled
Module: 6 OBFL Log:            Enabled
error-stats                     Enabled
exception-log                   Enabled
miscellaneous-error             Enabled
obfl-log (boot-uptime/device-version/obfl-history) Enabled
system-health                   Enabled
stack-trace                     Enabled

```

Displaying OBFL Logs

To display OBFL information stored in CompactFlash on a module, use the following commands:

Command	Purpose
<code>show logging onboard boot-uptime</code>	Displays the boot and uptime information.
<code>show logging onboard cpu-hog</code>	Displays information for CPU hog events.
<code>show logging onboard device-version</code>	Displays device version information.
<code>show logging onboard endtime</code>	Displays OBFL logs to an end time.
<code>show logging onboard environmental-history</code>	Displays environmental history.
<code>show logging onboard error-stats</code>	Displays error statistics.
<code>show logging onboard exception-log</code>	Displays exception log information.
<code>show logging onboard interrupt-stats</code>	Displays interrupt statistics.
<code>show logging onboard mem-leak</code>	Displays memory leak information.
<code>show logging onboard miscellaneous-error</code>	Displays miscellaneous error information.
<code>show logging onboard module slot</code>	Displays OBFL information for a specific module.
<code>show logging onboard obfl-history</code>	Displays history information.
<code>show logging onboard register-log</code>	Displays register log information.
<code>show logging onboard stack-trace</code>	Displays kernel stack trace information.
<code>show logging onboard starttime</code>	Displays OBFL logs from a specified start time.
<code>show logging onboard system-health</code>	Displays system health information.

Displaying the Module Counters Information

This example shows the device IDs of all the devices in a module:

```
switch# attach module 4
Attaching to module 4 ...
To exit type 'exit', to abort type '$.'
Linux lc04 2.6.10_mv1401-pc_target #1 Tue Dec 16 22:58:32 PST 2008 ppc GNU/Linux

module-4# clear asic-cnt list-all-devices
      Asic Name |           Device ID
-----|-----
Stratosphere  |                63
transceiver  |                46
Skyline-asic |                57
Skyline-ni   |                60
Skyline-xbar |                59
Skyline-fwd  |                58
Tuscany-asic |                52
Tuscany-xbar |                54
Tuscany-que  |                55
Tuscany-fwd  |                53
Fwd-spi-group |               73
Fwd-parser   |                74
eobc         |                10
X-Bus IO     |                 1
Power Mngmnt Epld |               25
```

Configuring Alerts, Notifications, and Monitoring of Counters

This section provides information on how to configure alerts, notification, and monitor counters.

Monitoring the CPU Utilization

To display the system CPU utilization, use the **show processes cpu** command.

This example shows how to display processes and CPU usage in the current VDC:

```
switch# show processes cpu
PID      Runtime(ms)   Invoked    uSecs   1Sec   Process
-----|-----|-----|-----|-----|-----
4        386829        67421866   5        0.9%   ksoftirqd/0
3667     270567        396229     682     9.8%   syslogd
3942     262          161        1632    7.8%   netstack
4006     106999945    354495641  301     28.2%  snmpd
4026     4454796      461564     9651    0.9%   sac_usd
4424     84187        726180     115     0.9%   vpc
4426     146378       919073     159     0.9%   tunnel
CPU util : 25.0% user, 30.5% kernel, 44.5% idle
```

Obtaining RAM Usage Information

You can obtain the processor RAM usage by using this SNMP variable: ceExtProcessorRam.

```
ceExtProcessorRam OBJECT-TYPE
    SYNTAX  Unsigned32
```

```

UNITS "bytes"
MAX-ACCESS read-only
STATUS current
DESCRIPTION
"Total number of bytes of RAM available on the
Processor."
 ::= { ceExtPhysicalProcessorEntry 1 }

```

Monitoring Rx and Tx Traffic Counters

When monitoring Rx and Tx traffic counters, you should include the Rx counter OID:

```
ifHCInOctets
```

Monitoring Status of Interfaces

To monitor status of interfaces, use the IETF extended-linkDown trap, which has ifAlias (this trap can set interface description) and ifDescr, which shows port name in the ascii format as shown below:

```

switch (config)# snmp-server enable traps link
  cieLinkDown          Cisco extended link state down notification
  cieLinkUp            Cisco extended link state up notification
  cisco-xcvr-mon-status-chg Cisco interface transceiver monitor status change
                        notification
  delayed-link-state-change Delayed link state change
  extended-linkDown    IETF extended link state down notification
  extended-linkUp      IETF extended link state up notification
  linkDown             IETF Link state down notification
  linkUp              IETF Link state up notification
switch (config)#

```

The following is an example of the trap:

```

[+]          10          16:41:39.79          IF-MIB:linkDown trap:SNMPv2c from
[172.25.234.200 Port: 162 Community: public]
SNMPv2-MIB:sysUpTime.0 : (35519336)          Syntax: TimeTicks
SNMPv2-MIB:snmpTrapOID.0 : (IF-MIB:linkDown)          Syntax: ObjectID
IF-MIB:ifIndex.440414208 : (440414208) Syntax: INTEGER, Instance IDs: (440414208)
IF-MIB:ifAdminStatus.440414208 : (down) Syntax: INTEGER, Instance IDs: (440414208)
IF-MIB:ifOperStatus.440414208 : (down) Syntax: INTEGER, Instance IDs: (440414208)
IF-MIB:ifDescr.440414208 : (Ethernet9/4) Syntax: RFC1213-MIB:DisplayString, Instance
IDs: (440414208)
IF-MIB:ifAlias.440414208 : (eth9/4) Syntax: SNMPv2-TC:DisplayString, Instance IDs:
(440414208)
SNMPv2-MIB:snmpTrapEnterprise.0 : (IF-MIB:linkDown)          Syntax: ObjectID

```

Monitoring Transceiver Thresholds

Use the cisco-xcvr-mon-status-chg trap way to monitor digital diagnostics statistics for thresholds as shown below:

```

switch (config)# snmp-server enable traps link cisco-xcvr-mon-status-chg
switch (config)#

```

The trap MIB is as show below:

```
cIfXcvrMonStatusChangeNotif NOTIFICATION-TYPE
OBJECTS      {
    ifName,
    cIfXcvrMonDigitalDiagTempAlarm,
    cIfXcvrMonDigitalDiagTempWarning,
    cIfXcvrMonDigitalDiagVoltAlarm,
    cIfXcvrMonDigitalDiagVoltWarning,
    cIfXcvrMonDigitalDiagCurrAlarm,
    cIfXcvrMonDigitalDiagCurrWarning,
    cIfXcvrMonDigitalDiagRxPwrAlarm,
    cIfXcvrMonDigitalDiagRxPwrWarning,
    cIfXcvrMonDigitalDiagTxPwrAlarm,
    cIfXcvrMonDigitalDiagTxPwrWarning,
    cIfXcvrMonDigitalDiagTxFaultAlarm
}
STATUS      current
```

This example shows how to display transceiver details:

```
switch(config)# show interface ethernet 1/17 transceiver details
Ethernet1/17
  transceiver is present
  type is 10Gbase-SR
  name is CISCO-AVAGO
  part number is SFBR-7702SDZ
  revision is G2.3
  serial number is AGA1427618P
  nominal bitrate is 10300 MBit/sec
  Link length supported for 50/125um OM2 fiber is 82 m
  Link length supported for 62.5/125um fiber is 26 m
  Link length supported for 50/125um OM3 fiber is 300 m
  cisco id is --
  cisco extended id number is 4
  SFP Detail Diagnostics Information (internal calibration)
-----
          Current           Alarms           Warnings
          Measurement       High           Low           High           Low
-----
Temperature  27.65 C         75.00 C       -5.00 C       70.00 C       0.00 C
Voltage       3.29 V              3.63 V        2.97 V        3.46 V        3.13 V
Current       5.42 mA             10.50 mA      2.50 mA       10.50 mA      2.50 mA
Tx Power      -2.51 dBm           1.69 dBm     -11.30 dBm    -1.30 dBm     -7.30 dBm
Rx Power      -2.64 dBm           1.99 dBm     -13.97 dBm    -1.00 dBm     -9.91 dBm
Transmit Fault Count = 0
-----
Note: ++ high-alarm; + high-warning; -- low-alarm; - low-warning
switch(config)#
```

Configuring Supervisor Switchover Notification

The supervisor switchover notification can be monitored by listening for the ciscoRFSwactNotif trap:

```
ciscoRFSwactNotif NOTIFICATION-TYPE
OBJECTS {
  cRFStatusUnitId,
  sysUpTime,
```

```

        cRFStatusLastSwactReasonCode
    }

```

Configuring a Counter to Include CRC and FCS Errors

You can include CRC and FCS errors of interfaces by polling dot3StatsFCSErrors counter as shown in the following example:

```
dot3StatsFCSErrors Counter32
```

```

    Dot3StatsEntry ::= SEQUENCE {
        dot3StatsIndex                InterfaceIndex,
        dot3StatsAlignmentErrors      Counter32,
        dot3StatsFCSErrors            Counter32,
        dot3StatsSingleCollisionFrames Counter32,
        dot3StatsMultipleCollisionFrames Counter32,
        dot3StatsSQETestErrors        Counter32,
        dot3StatsDeferredTransmissions Counter32,
        dot3StatsLateCollisions       Counter32,
        dot3StatsExcessiveCollisions  Counter32,
        dot3StatsInternalMacTransmitErrors Counter32,
        dot3StatsCarrierSenseErrors   Counter32,
        dot3StatsFrameTooLongs        Counter32,
        dot3StatsInternalMacReceiveErrors Counter32,
        dot3StatsEtherChipSet         OBJECT IDENTIFIER,
        dot3StatsSymbolErrors         Counter32,
        dot3StatsDuplexStatus          INTEGER,
        dot3StatsRateControlAbility    TruthValue,
        dot3StatsRateControlStatus     INTEGER
    }

```

Configuring Call Home for Alerts

The Call Home feature enables you to receive a Call Home email when exceptions occur in the system. Use the following CLI or SNMP to set up the Call Home configurations and to enable all alert-groups:

```

switch (config)# callhome
switch-FC-VDC (config-callhome)# destination-profile full-txt-destination alert-group
All This alert group consists of all of the callhome
    messages
    Cisco-TAC Events which are meant for Cisco TAC only
    Configuration Events related to Configuration
    Diagnostic Events related to Diagnostic
    EEM EEM events
    Environmental Power, fan, temperature related events
    Inventory Inventory status events
    License Events related to licensing
    Linecard-Hardware Linecard related events
    Supervisor-Hardware Supervisor related events
    Syslog-group-port Events related to syslog messages filed by port manager
    System Software related events
    Test User generated test events
switch-FC-VDC (config-callhome)#

```

Monitoring User Authentication Failures

You can monitor any user authentication failures by listening the authenticationFailure trap:

SNMPv2-MIB: authenticationFailure trap

Additional References

For additional information related to implementing System Processes and Logs, see the following section:

MIBs

MIBs	MIBs Link
<ul style="list-style-type: none"> CISCO-SYSTEM-EXT-MIB CISCO-SYSTEM-MIB 	To locate and download MIBs, go to the following URL: http://www.cisco.com/en/US/products/ps5989/prod_technical_reference_list.html

Feature History for System Processes and Logs

[Table 21: Feature History for System Processes and Logs](#), on page 159 lists the release history for this feature. Only features that were introduced or modified in Release 3.x or a later release appear in the table.

Table 21: Feature History for System Processes and Logs

Feature Name	Releases	Feature Information
Common Information Model	3.3(1a)	Added commands for displaying Common Information Model.
On-line system health maintenance (OHMS) enhancements	3.0(1)	Includes the following OHMS enhancements: <ul style="list-style-type: none"> Configuring the global frame length for loopback test for all modules on the switch. Specifying frame count and frame length on for the loopback test on a specific module. Configuring source and destination ports for external loopback tests. Providing serdes loopback test to check hardware.
On-board failure logging (OBFL)	3.0(1)	Describes OBFL, how to configure it for Generation 2 modules, and how to display the log information.



CHAPTER 8

About Embedded Event Manager

This chapter describes how to configure the EEM to detect and handle critical events on a device.

- [Feature History for EEM, on page 161](#)
- [Information About EEM, on page 161](#)
- [Licensing Requirements for EEM, on page 166](#)
- [Prerequisites for EEM, on page 166](#)
- [Guidelines and Limitations, on page 166](#)
- [Default Settings, on page 167](#)
- [Configuring Embedded Event Manager, on page 167](#)
- [Verifying the EEM Configuration, on page 177](#)
- [Configuration Examples for EEM , on page 177](#)
- [Additional References, on page 178](#)

Feature History for EEM

[Table 22: Feature History for EEM , on page 161](#) lists the release history for this feature. Only features that were introduced or modified in Release 3.x or a later release appear in the table.

Table 22: Feature History for EEM

Feature Name	Releases	Feature Information
	4.1(3)	New chapter on configuring Embedded Event Manager (EEM) has been added.
EEM—Zone, FCNS, and FLOGI	6.2(11)	This feature enables users to configure custom limits for default Zone, FCNS, and FLOGI system policies.
Embedded Event Manager (EEM)	8.1(1)	Added cli keyword to the actionnumber command.

Information About EEM

Embedded Event Manager monitors events that occur on your device and takes action to recover or troubleshoot these events, based on your configuration.

EEM Overview

EEM consists of three major components:

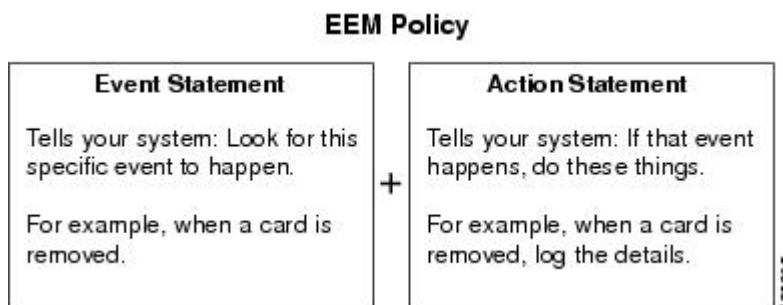
- Event statements—Events to monitor from another Cisco NX-OS component that may require some action, workaround, or notification.
- Action statements—Actions that EEM can take, such as sending an e-mail, or disabling an interface, to recover from an event.
- Policies—A combination of an event statement and an action statement. When the specified event occurs, the configured action is executed.

Policies

An EEM policy consists of an event statement and one or more action statements. The event statement defines the event to look for as well as the filtering characteristics for the event. The action statement defines the action EEM takes when the event occurs.

Figure 5: EEM Policy Statements, on page 162 shows the two basic statements in an EEM policy.

Figure 5: EEM Policy Statements



You can configure EEM policies using the CLI or using a VSH script.



Note EEM policy matching is not supported on MDS switches.

EEM maintains event logs on the supervisor.

Cisco NX-OS has a number of preconfigured system policies. These system policies define many common events and actions for the device. System policy names begin with two underscore characters (__).

The following are some of the preconfigured system policies available in Cisco MDS 9000 Series Switches:

- Zone
 - `__zone_dbsize_max_per_vsan` : Syslog warning when Zone database size exceeds the max limit of 4000000 bytes for a vsan.
 - `__zone_members_max_per_sw`: Syslog warning when Zone member count exceeds the max limit of 32000 for the switch.
 - `__zone_zones_max_per_sw`: Syslog warning when Zone count exceeds the max limit of 16000 for the switch.

- `_zone_zonesets_max_per_sw` : Syslog warning when Zoneset count exceeds the max limit of 1000 for the switch.
- Fabric Login (FLOGI)
 - `_flogi_fcids_max_per_switch`: Syslog warning when the number of flogis in the switch exceeds 2000.
 - `_flogi_fcids_max_per_module`: Syslog warning when the number of flogis in the module exceeds 400.
 - `_flogi_fcids_max_per_intf`: Syslog warning when the number of flogis on the interface exceeds 256.



Note All the above three FLOGI policies are overridable.

- Fibre Channel Name Server (FCNS)
 - `_fns_entries_max_per_switch` : Configuring max limit for Name server entries verified across all VSANs per switch.

Action: Display a syslog



Note User should not configure an event for a different component's policy.

You can create user policies to suit your network. Actions defined by the user policies are executed along with the actions defined by the system policies. To configure a user policy, see the [Defining a User Policy Using the CLI, on page 167](#).

You can also override some system policies. The override policies replace the system policies. You can override the event or the actions.

Use the **show event manager system-policy** command to view the preconfigured system policies and determine which policies that you can override.

To configure an overriding policy, see the [Overriding a Policy, on page 175](#).



Note You should use the **show running-config eem** command to check the configuration of each policy. An override policy that consists of an event statement and no action statement triggers no action and no notification of failures.



Note Your override policy should always include an event statement. An override policy without an event statement overrides all possible events in the system policy.

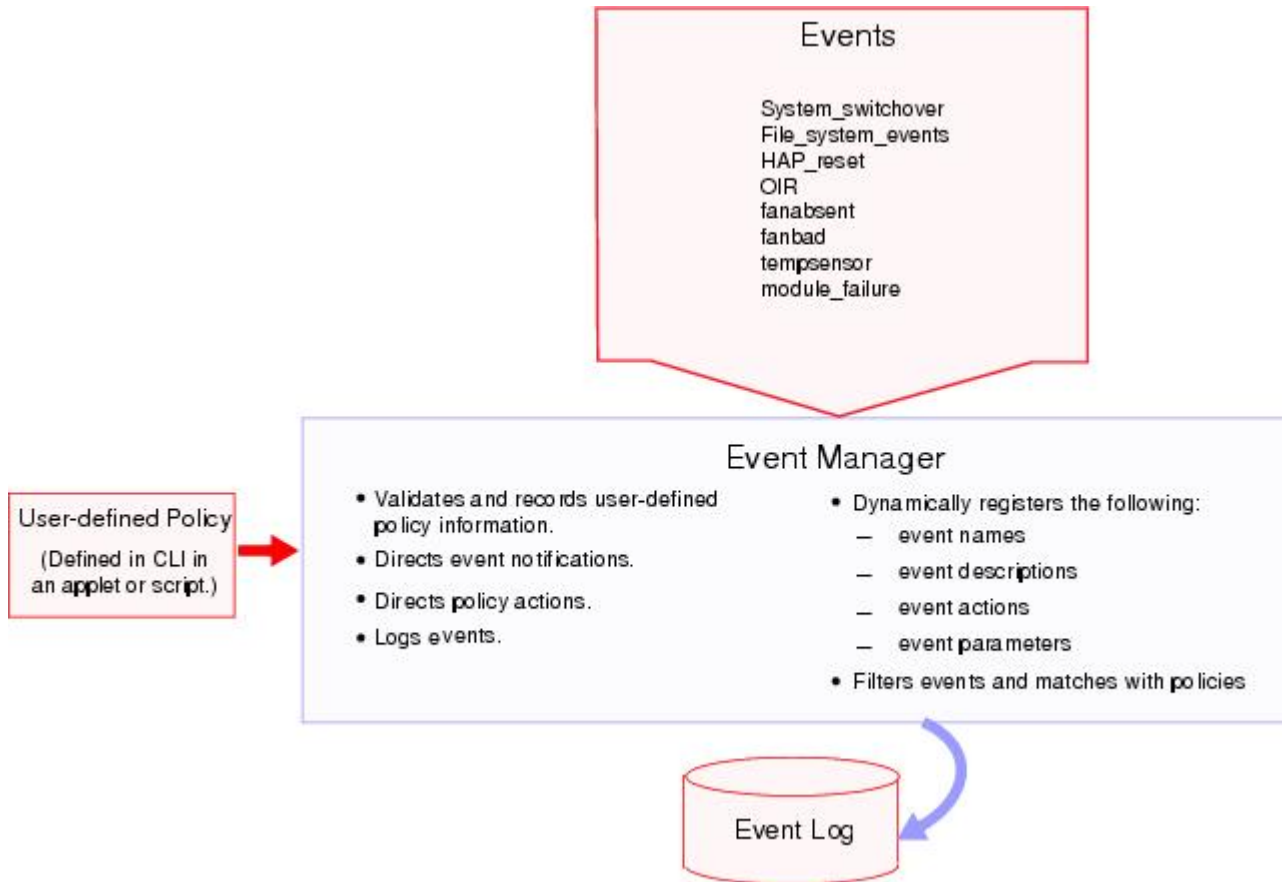
Event Statements

An event is any device activity for which some action, such as a workaround or a notification, should be taken. In many cases, these events are related to faults in the device such as when an interface or a fan malfunctions.

[Figure 6: EEM Overview, on page 164](#) EEM defines event filters so only critical events or multiple occurrences of an event within a specified time period trigger an associated action.

shows events that are handled by EEM.

Figure 6: EEM Overview



Event statements specify the event that triggers a policy to run. You can configure only one event statement per policy.

EEM schedules and runs policies on the basis of event statements. EEM examines the event and action commands and runs them as defined.

Action Statements

Action statements describe the action triggered by a policy. Each policy can have multiple action statements. If no action is associated with a policy, EEM still observes events but takes no actions.

EEM supports the following actions in action statements:

- Execute any CLI commands.

- Update a counter.
- Log an exception.
- Force the shut down of any module.
- Reload the device.
- Shut down specified modules because the power is over budget.
- Generate a syslog message.
- Generate a Call Home event.
- Generate an SNMP notification.
- Use the default action for the system policy.



Note If you want to allow the triggered event to process the default actions also, you must explicitly configure an EEM action with event-default or policy-default, based on the type of policy. For example, if you match a CLI command in a match statement, you must add the event-default action statement to the EEM policy. If the event-default action statement is not added, EEM will not allow the CLI command to execute.



Note Verify that your action statements within your user policy or overriding policy do not negate each other or adversely affect the associated system policy.

VSH Script Policies

You can also write policies in a VSH script, using a text editor. These policies have an event statement and action statement(s) just as other policies, and these policies can either augment or override system policies. After you write your script policy, copy it to the device and activate it. To configure a policy in a script, see the [Defining a Policy Using a VSH Script, on page 174](#).

Environment Variables

You can define environment variables for EEM that are available for all policies. Environment variables are useful for configuring common values that you can use in multiple policies. For example, you can create an environment variable for the IP address of an external e-mail server.

You can use an environment variable in action statements by using the parameter substitution format.

Action Statement

The following example shows a sample action statement to force a module 1 shutdown, with a reset reason of “EEM action.”

```
switch (config-eem-policy)# action 1.0 forceshut module 1 reset-reason "EEM action"
```

Action Statement with Environment Variable

If you define an environment variable for the shutdown reason, called default-reason, you can replace that reset reason with the environment variable, as shown in following example.

```
switch (config-eem-policy)# action 1.0 forceshut module 1 reset-reason $default-reason
```

You can reuse this environment variable in any policy. For more information on environment variables, see the [Defining an Environment Variable, on page 176](#).

EEM Event Correlation

Beginning with Cisco NX-OS Release 5.2, you can trigger an EEM policy based on a combination of events. First, you use the **tag** keyword to create and differentiate multiple events in the EEM policy. Then using a set of boolean operators (**and**, **or**, and **not**), along with the count and time, you can define a combination of these events to trigger a custom action.

High Availability

Cisco NX-OS supports stateless restarts for EEM. After a reboot or supervisor switchover, Cisco NX-OS applies the running configuration.

Licensing Requirements for EEM

The following table shows the licensing requirements for this feature:

Product	License Requirement
NX-OS	EEM requires no license. Any feature not included in a license package is bundled with the Cisco NX-OS system images and is provided at no extra charge to you.

Prerequisites for EEM

EEM has the following prerequisites:

- You must have network-admin user privileges to configure EEM.

Guidelines and Limitations

EEM has the following configuration guidelines and limitations:

- Action statements within your user policy or overriding policy should not negate each other or adversely affect the associated system policy.
- If you want to allow the triggered event to process the default actions also, you must explicitly configure an EEM action with event-default or policy-default, based on the type of policy. For example, if you match a CLI command in a match statement, you must add the event-default action statement to the EEM policy or EEM will not allow the CLI command to execute.
- An override policy that consists of an event statement and no action statement triggers no action and no notification of failures.
- An override policy without an event statement overrides all possible events in the system policy.

- When more than one event statement is included in an EEM policy, each event statement must have a **tag** keyword with a unique tag argument.

Default Settings

Table 23: Default EEM Parameters , on page 167 lists the default settings for EEM parameters.

Table 23: Default EEM Parameters

Parameters	Default
system policies	active

Configuring Embedded Event Manager

Defining a User Policy Using the CLI

You can define a user policy using the CLI.

To define a user policy using the CLI, follow these steps:

Procedure

-
- Step 1** **configure terminal**
Enters configuration mode.
- Step 2** **event manager applet** *applet-name*
Registers the applet with EEM and enters applet configuration mode. The *applet-name* can be any case-sensitive alphanumeric string up to 29 characters.
- Step 3** **description** *policy-description*
(Optional) Configures a descriptive string for the policy. The string can be any alphanumeric string up to 80 characters. Enclose the string in quotation marks.
- Step 4** **event** *event-statement*
Configures the event statement for the policy. See the [Configuring Event Statements, on page 168](#).
- Step 5** Do one of the following:
 - **tag** *tagname1* **{and | andnot}** *tagname2* [**{and | andnot}** *tagname3* [**{and | andnot}** *tagname4*]] **happens occurs in seconds**
(Optional) Correlates multiple events in the policy.
The range for *occurs* is from 1 to 4294967295. The range for *seconds* is from 0 to 4294967295 seconds.
- Step 6** **action** *action-statement*

Configures an action statement for the policy. See the [Configuring Action Statements, on page 171](#).

Repeat Step 5 for multiple action statements.

Step 7 **show event manager policy internal *name***
(Optional) Displays information about the configured policy.

Step 8 **copy running-config startup-config**
(Optional) Saves this configuration change.

Configuring Event Statements

To configure an event statement, use one the following commands in EEM configuration mode:

Command	Purpose
event cli [tag <i>tag_name</i> match <i>expression</i>] [count <i>repeats</i> time <i>seconds</i>]	Triggers an event if you enter a CLI command that matches the regular expression. The tag <i>tag_name</i> keyword-argument pair identifies this specific event when multiple events are included in the policy. The <i>repeats</i> range is from 1 to 65000. The time range, in seconds, is from 0 to 4294967295, where 0 indicates no time limit.
event counter <i>name</i> <i>counter</i> entry-val <i>entry</i> entry-op { eq ge gt le lt ne } [exit-val <i>exit</i> exit-op <i>exit</i> { eq ge gt le lt ne }]	Triggers an event if the counter crosses the entry threshold (based on the entry operation—greater than, less than, and so on.) The event resets immediately. Optionally, you can configure the event to reset after the counter passes the exit threshold. The <i>counter</i> name can be any case-sensitive, alphanumeric string up to 28 characters. The <i>entry</i> and <i>exit</i> value ranges are from 0 to 2147483647.
event fanabsent [fan <i>number</i>] time <i>seconds</i>	Triggers an event if a fan is removed from the device for more than the configured time, in seconds. The fan number range is dependent on different switches (for example for 9513 switches the range is from 1 to 2, for 9506/9509 switches the range is 1). The seconds range is from 10 to 64000.
event fanbad [fan <i>number</i>] time <i>seconds</i>	Triggers an event if a fan fails for more than the configured time, in seconds. The fan number range is dependent on different switches (for example for 9513 switches the range is from 1 to 2, for 9506/9509 switches the range is 1). The seconds range is from 10 to 64000.

Command	Purpose
event memory {critical minor severe}	Triggers an event if a memory threshold is crossed.
event module-failure type <i>failure-type</i> module { <i>slot</i> all } { <i>slot</i> count <i>repeats</i> [time <i>seconds</i>]	Triggers an event if a module experiences the failure type configured. The <i>slot</i> range is dependent on different switches (for example for 9513 switches the range is from 1 to 13, for 9509 switches the range is 1 to 9). The <i>repeats</i> range is from 0 to 4294967295. The <i>seconds</i> range is from 0 to 4294967295.
event oir {fan module powersupply} {anyoir insert remove [<i>number</i>]}	Triggers an event if the configured device element (fan, module, or power supply) is inserted or removed from the device. You can optionally configure a specific fan, module, or power supply number. The <i>number</i> range is as follows: <ul style="list-style-type: none"> • Fan number is dependent on different switches. • Module number is dependent on different switches. • Power supply number range is from 1 to 2.
event policy-default count <i>repeats</i> [time <i>seconds</i>]	Uses the event configured in the system policy. Use this option for overriding policies. The <i>repeats</i> range is from 1 to 65000. The <i>seconds</i> range is from 0 to 4294967295.
event poweroverbudget	Triggers an event if the power budget exceeds the capacity of the configured power supplies.
event snmp oid <i>oid</i> get-type {exact next} entry-op {eq ge gt le lt ne} entry-val <i>entry</i> [exit-comb {and or}] exit-op {eq ge gt le lt ne} exit-val <i>exit</i> exit-time <i>time</i> polling-interval <i>interval</i>	Triggers an event if the SNMP OID crosses the entry threshold (based on the entry operation—greater than, less than, and so on.) The event resets immediately, or optionally you can configure the event to reset after the counter passes the exit threshold. The OID is in dotted decimal notation. The <i>entry</i> and <i>exit</i> value ranges are from 0 to 18446744073709551615. The time range is from 0 to 2147483647. The interval range is from 1 to 2147483647.

Command	Purpose
<p>event syslog {occurs occurs number pattern syslog pattern period time intervals priority syslog priority tag tag_name }</p>	<p>Triggers an event based on a message logged in the syslog logfile.</p> <p>occurs occurs number-Specifies the number of occurrences. The range is from 1 to 65000.</p> <p>pattern syslog pattern-Specifies the syslog pattern. Normal regular expression pattern matching is used. The maximum size is 256 alphanumerical characters.</p> <p>period time intervals-Specifies the maximum time interval between messages. The range is from 0 to 4294967295 seconds.</p> <p>priority syslog priority-Specifies the syslog priority.</p> <ul style="list-style-type: none"> • alerts—Specifies the alert log message • critical—Specifies the critical log message • debugging—Specifies the debugging message • emergencies—Specifies the emergency log message • errors—Specifies the error log message • informational—Specifies the informational log message • notification—Specifies the notification log message • pattern—Specifies the pattern matching • warnings—Specifies the warning message <p>tag tag_name-Specifies the tag name. Maximum size is 29 alphanumerical characters.</p> <p>The tag tag_name keyword argument pair identifies this specific event when multiple events are included in the policy.</p>
<p>event temperature [module slot] [sensor sensor number]threshold {any major minor}</p>	<p>Triggers an event if the temperature sensor exceeds the configured threshold. The <i>slot</i> range is dependent on different switches. The sensor range is from 1 to 8 on MDS modules, but current MDS modules use the range from 1 to 3 only, some modules use the range from 1 to 2.</p>

Configuring Action Statements

Use the following commands in EEM configuration mode to configure action statements:

Command	Purpose
action <i>number</i> add <i>variable-name</i>	Adds variable values to the action command when an EEM applet is triggered. To undo the add action, use the no form of this command.
action <i>number</i> append <i>variable-name</i>	Appends a variable value to an existing variable string when an EEM applet is triggered. To undo the append action, use the no form of this command.
action <i>number</i> break	Exits from a loop of action when an EEM applet is triggered. To disable the break action, use the no form of this command.
action <i>number</i> cli command <i>command-name</i>	Executes the configured VSH CLI commands when an EEM applet is triggered. To disable the CLI command action, use the no form of this command. Valid value for the VSH command name is 256 characters. From Cisco MDS NX-OS Release 8.1(1) the command keyword was added. The command keyword specifies the message to be sent to the Cisco NX-OS CLI. Add the command name within double quotation marks.
action <i>number</i> cli local command <i>command-name</i>	Executes the configured VSH CLI commands when an EEM applet is triggered. To disable the CLI command action, use the no form of this command. Valid value for the VSH command name is 256 characters. From Cisco MDS NX-OS Release 8.1(1), the command keyword was added. The command keyword specifies the message to be sent to the Cisco NX-OS CLI. Add the command name within double quotation marks.
action <i>number</i> comment <i>string</i>	Specifies an action of adding comments to an applet when an EEM applet is triggered. To disable the comment action, use the no form of this command. Valid value for string sequence is 256 characters.
action <i>number</i> continue	Specifies an action of continuing with loop of actions when an EEM applet is triggered. To disable the comment action, use the no form of this command.
action <i>number</i> [<i>. number</i>] counter name <i>counter</i> value <i>val</i> op { dec inc nop set }	Modifies the counter by the configured value and operation. The action label is in the format <i>number1.number2</i> . <i>number</i> can be any number up to 16 digits. The range for <i>number2</i> is from 0 to 9. The counter name can be any case-sensitive, alphanumeric string up to 28 characters. The <i>val</i> can be an integer from 0 to 2147483647 or a substituted parameter.
action <i>number</i> decrement <i>decrement-name</i>	Specifies the action of decrementing the value of a variable, when an EEM applet is triggered. To remove the action from the applet, use the no form of this command.

Command	Purpose
action <i>number</i> divide <i>divide-name</i>	Divides the dividend value by the given divisor value when an EEM applet is triggered. To remove the calculation process, use the no form of this command.
action <i>number</i> eem	Specifies the EEM action command when an EEM applet is triggered. To remove the EEM action command, use the no form of this command.
action <i>number</i> else	Specifies the beginning of an else conditional action block in an if/else conditional action block when an EEM applet is triggered. To remove the else conditional action block, use the no form of this command.
action <i>number</i> elseif	Specifies the beginning of an elseif conditional action block in an if/else conditional action block when an EEM applet is triggered. To remove the else conditional action block, use the no form of this command.
action <i>number</i> end	Specifies the end of a conditional action block in the if/else and while conditional action block when an EEM applet is triggered. To remove the end conditional action block, use the no form of this command.
action <i>number</i> [. <i>number</i>] event-default	Executes the default action for the associated event. The action label is in the format number1.number2. <i>number</i> can be any number up to 16 digits. The range for <i>number2</i> is from 0 to 9.
action <i>number</i> exit	Exits from the running applet configuration when an EEM applet is triggered. To cancel the process of immediate exit from the running applet, use the no form of this command.
action <i>number</i> file { close delete gets open puts read write }	Configures the EEM applet file operations, use the action file command in applet configuration mode. To disable the configuration, use the no form of this command.
action <i>number</i> foreach <i>foreach-name</i>	Specifies the iteration of an input string using the delimiter as a tokenizing pattern. To remove iteration of the input string, use the no form of this command.
action <i>number</i> if <i>if-name</i>	Identifies the beginning of an if conditional block when an EEM applet is triggered, use the action if command in applet configuration mode. To remove the if conditional action block, use the no form of this command.
action <i>number</i> increment <i>increment-name</i>	Specifies the action of incrementing the value of a variable, when an EEM applet is triggered. To remove the action from the applet, use the no form of this command.
action <i>number</i> multiply <i>multiply-name</i>	Specifies the action of multiplying the variable value with a specified given integer value when an EEM applet is triggered. To remove the calculation process, use the no form of this command.
action <i>number</i> overbudgetshut [module <i>module-name</i>]	Forces one or more modules or the entire system to shut down because of a power overbudget issue.

Command	Purpose
action <i>number</i> policy-default	Executes the default action for the policy that you are overriding. To remove the action policy command from the configuration, use the no form of this command.
action <i>number</i> publish-event	Specifies the action of publishing an application-specific event when the event specified for an EEM applet is triggered. To remove the action of publishing an application-specific event, use the no form of this command.
action <i>number</i> puts	Enables the action of printing data directly to the local TTY when an EEM applet is triggered. To disable this function, use the no form of this command.
action <i>number</i> regex <i>regex-name</i>	Matches a regular expression pattern on an input string when an EEM applet is triggered. To disable this function, use the no form of this command.
action <i>number</i> reload	Forces one or more modules or the entire system to reload.
action <i>number</i> set <i>set-name</i>	Sets the value of a variable when an EEM applet is triggered. To remove the value of an EEM applet variable, use the no form of this command.
action <i>number</i> [. <i>number2</i>] snmp-trap {[intdata1 <i>data</i> [intdata2 <i>data</i> [strdata <i>string</i>]]]}	Sends an SNMP trap with the configured data. <i>number</i> can be any number up to 16 digits. The range for <i>number2</i> is from 0 to 9. The <i>data</i> arguments can be any number up to 80 digits. The <i>string</i> can be any alphanumeric string up to 80 characters.
action <i>number</i> string	Specifies the string action command for an EEM applet. To remove the action of string operation, use the no form of this command.
action <i>number</i> wait <i>wait-value</i>	Specifies the wait time for an action for an EEM applet. To disable this function, use the no form of this command.
action <i>number</i> while <i>while-number</i>	Identifies the beginning of a loop of a conditional block when an EEM applet is triggered. To disable this function, use the no form of this command.
action <i>number</i> [. <i>number2</i>] exceptionlog module <i>module</i> syserr <i>error</i> devid <i>id</i> errtype <i>type</i> errcode <i>code</i> phylayer <i>layer</i> ports <i>list</i> harderror <i>error</i> [desc <i>string</i>]	Logs an exception if the specific conditions are encountered when an EEM applet is triggered.
action <i>number</i> [. <i>number</i> <i>number2</i>] forceshut [module <i>slot</i> xbar <i>xbar</i> <i>number</i>] reset-reason <i>seconds</i>	Forces a module, crossbar, or the entire system to shut down. The action label is in the format <i>number1.number2</i> . <i>number</i> can be any number up to 16 digits. The range for <i>number2</i> is from 0 to 9. The <i>slot</i> range is dependent on different switches. The <i>xbar-number</i> range is from 1 to 2 and is only available on MDS 9513 modules. The reset reason is a quoted alphanumeric string up to 80 characters.

Command	Purpose
action <i>number</i> [. <i>number</i>] overbudgetshut [module <i>slot</i> [- <i>slot</i>]]	Forces one or more modules or the entire system to shut down because of a power overbudget issue. <i>number</i> can be any number up to 16 digits. The range for <i>number2</i> is from 0 to 9. The <i>slot</i> range is dependent on different switches.
action <i>number</i> [. <i>number</i>] policy-default	Executes the default action for the policy that you are overriding. The action label is in the format <i>number1.number2</i> . <i>number</i> can be any number up to 16 digits. The range for <i>number2</i> is from 0 to 9.
action <i>number</i> [. <i>number</i>] reload [module <i>slot</i> [- <i>slot</i>]]	Forces one or more modules or the entire system to reload. <i>number</i> can be any number up to 16 digits. The range for <i>number2</i> is from 0 to 9. The <i>slot</i> range is dependent on different switches.
action <i>number</i> [. <i>number2</i>] syslog [priority <i>prio-val</i>] msg <i>error</i> <i>message</i>	Sends a customized syslog message at the configured priority. <i>number</i> can be any number up to 16 digits. The range for <i>number2</i> is from 0 to 9. The <i>error-message</i> can be any quoted alphanumeric string up to 80 characters.



Note If you want to allow the triggered event to process the default actions also, you must explicitly configure an EEM action with `event-default` or `policy-default`, based on the type of policy. For example, if you match a CLI command in a match statement, you must add the `event-default` action statement to the EEM policy or EEM will not allow the CLI command to execute. You can bypass all CLI-based EEM policies using the `terminal event-manager bypass` command. To revert use the `terminal no event-manager bypass` command.

Defining a Policy Using a VSH Script

To define a policy using a VSH script, follow these steps:

Procedure

- Step 1** In a text editor, list the CLI commands that define the policy.
- Step 2** Name the text file and save it.
- Step 3** Copy the file to the following system directory:
bootflash://eem/user_script_policies

Registering and Activating a VSH Script Policy

To register and activate a policy defined in a VSH script, follow these steps:

Procedure

- Step 1** **configure terminal**
Enters configuration mode.
- Step 2** **event manager policy** *policy-script*
Registers and activates an EEM script policy. The *policy-script* can be any case-sensitive alphanumeric string up to 29 characters.
- Step 3** **show event manager internal policy** *name*
(Optional) Displays information about the configured policy.
- Step 4** **copy running-config startup-config**
(Optional) Saves this configuration change.
-

Overriding a Policy

To override a system policy, follow these steps:

Procedure

- Step 1** **configure terminal**
Enters configuration mode.
- Step 2** **show event manager policy-state** *system-policy*
(Optional) Displays information about the system policy that you want to override, including thresholds. Use the **show event manager system-policy** command to find the system policy names.
- Step 3** **[no] event manager applet** *applet-name* **override** *system-policy*
Overrides a system policy and enters applet configuration mode. The *applet-name* can be any case-sensitive alphanumeric string up to 29 characters. The *system-policy* must be one of the existing system policies.
- Step 4** **description** *policy-description*
(Optional) Configures a descriptive string for the policy. The string can be any alphanumeric string up to 80 characters. Enclose the string in quotation marks.
- Step 5** **[no] event** *event-statement*
Configures the event statement for the policy. See the [Configuring Event Statements, on page 168](#). Using the **no** keyword deletes the overridden event, if any.

- Deleting an overridden policy does not remove the default system policy.
- You can modify an overridden policy by changing the respective Zone, FCNS, or FLOGI limit values.

Step 6 `action action-statement`

Configures an action statement for the policy. See the [Configuring Action Statements, on page 171](#).

Repeat Step 6 for multiple action statements.

- Zone, FLOGI, and FCNS support only syslog message generation as the action.
- If an action is not configured, the default action associated with the default system policy is executed. If an action is configured, both the configured and default actions are executed. This functionality is applicable only to Zone, FLOGI, and FCNS system policies.

Step 7 `show event manager policy-state name`

(Optional) Displays information about the configured policy.

Step 8 `copy running-config startup-config`

(Optional) Saves this configuration change.

Note Multiple overrides for Zone, FLOGI, and FCNS EEM policies are not allowed.

Defining an Environment Variable

To define a variable to serve as a parameter in an EEM policy, follow these steps:

Procedure

Step 1 `configure terminal`

Enters configuration mode.

Step 2 `event manager environment variable-name variable-value`

Creates an environment variable for EEM. The *variable-name* can be any case-sensitive alphanumeric string up to 29 characters. The *variable-value* can be any quoted alphanumeric string up to 39 characters.

Step 3 `show event manager environment`

(Optional) Displays information about the configured environment variables.

Step 4 `copy running-config startup-config`

(Optional) Saves this configuration change.

Verifying the EEM Configuration

To display EEM configuration information, perform one of the following tasks:

Command	Purpose
show event manager environment [<i>variable-name</i> all]	Displays information about the event manager environment variables.
show event manager event-types [<i>event</i> all module slot]	Displays information about the event manager event types.
show event manager history events [detail] [maximum num-events] [severity {catastrophic minor moderate severe}]	Displays the history of events for all policies.
show event manager policy internal [<i>policy-name</i>] [inactive]	Displays information about the configured policies.
show event manager policy-state <i>policy-name</i>	Displays information about policy state, including thresholds.
show event manager script system [<i>policy-name</i>] all]	Displays information about the script policies.
show event manager system-policy [all]	Displays information about the predefined system policies.
show running-config eem	Displays information about the running configuration for EEM.
show startup-config eem	Displays information about the startup configuration for EEM.

Configuration Examples for EEM

This example overrides the `__lcm_module_failure` system policy by changing the threshold for just module 3 hitless upgrade failures. The following example also sends a syslog message. The settings in the system policy, `__lcm_module_failure`, apply in all other cases.

```
event manager applet example2 override __lcm_module_failure
  event module-failure type hitless-upgrade-failure module 3 count 2
  action 1 syslog priority errors msg module 3 "upgrade is not a hitless upgrade!"
  action 2 policy-default
```

The following example modifies an overridden policy by changing the number of FCNS database entries to 1500. It also generates both the configured and the default syslog messages of the default system policy

```
event manager applet fcns_policy override __fcns_entries_max_per_switch
event fcns entries max-per-switch 1500
```

```
action 1.0 syslog priority warnings msg FCNS DB entries have reached the EEM limit
```

The following example deletes the event of an overridden policy:

```
no event manager applet zone_policy
```

The following example creates an EEM policy that allows the CLI command to execute but triggers an SNMP notification when a user enters configuration mode on the device:

```
event manager applet TEST
event cli match "conf t"
action 1.0 snmp-trap strdata "Configuration change"
action 2.0 event-default
```


Note

You must add the event-default action statement to the EEM policy or EEM will not allow the CLI command to execute.

The following example shows how to configure a VSH command string to be executed when an EEM applet is triggered:

```
switch# configure terminal
switch(config)# event manager applet cli-applet
switch(config-applet)# action 1.0 cli command "show interface e 3/1"
```

Additional References

For additional information related to implementing EEM, see the following section:

MIBs

MIBs	MIBs Link
<ul style="list-style-type: none"> • CISCO-EMBEDDED-EVENT-MGR-MIB 	To locate and download MIBs, go to the following URL: http://www.cisco.com/en/US/products/ps5989/prod_technical_reference_list.html



CHAPTER 9

Configuring RMON

RMON is an Internet Engineering Task Force (IETF) standard monitoring specification that allows various network agents and console systems to exchange network monitoring data. You can use the RMON alarms and events to monitor Cisco MDS 9000 Family switches running the Cisco SAN-OS Release 2.0(1b) or later or Cisco NX-OS Release 4.1(3) or later software.

- [Information About RMON, on page 179](#)
- [Default Settings, on page 181](#)
- [Configuring RMON, on page 181](#)
- [Verifying the RMON Configuration, on page 183](#)
- [Additional References, on page 184](#)
- [Feature History for RMON, on page 184](#)

Information About RMON

RMON is disabled by default, and no events or alarms are configured in the switch.

All switches in the Cisco MDS 9000 Family support the following RMON functions (defined in RFC 2819):

- **Alarm**—Each alarm monitors a specific management information base (MIB) object for a specified interval. When the MIB object value exceeds a specified value (rising threshold), the alarm condition is set and only one event is triggered regardless of how long the condition exists. When the MIB object value falls below a certain value (falling threshold), the alarm condition is cleared. This allows the alarm to trigger again when the rising threshold is crossed again.
- **Event**—Determines the action to take when an event is triggered by an alarm. The action can be to generate a log entry, an SNMP trap, or both.

For agent and management information, see the *Cisco MDS 9000 Family MIB Quick Reference*.

For information on an SNMP-compatible network management station, see the System Management Configuration Guide, Cisco DCNM for SAN.

For SNMP security-related CLI configurations, see .

RMON Configuration Information

RMON is disabled by default and no events or alarms are configured in the switch. You can configure your RMON alarms and events by using the CLI or an SNMP-compatible network management station.



Tip We recommend an additional, generic RMON console application on the network management station (NMS) to take advantage of RMON's network management capabilities. Refer to the System Management Configuration Guide, Cisco DCNM for SAN.

RMON Configuration Using Threshold Manager

RMON is disabled by default and no events or alarms are configured in the switch. You can configure your RMON alarms and events by using the CLI or by using Threshold Manager in Device Manager.

The Threshold Monitor allows you to trigger an SNMP event or log a message when the selected statistic goes over a configured threshold value. RMON calls this a rising alarm threshold. The configurable settings are as follows:

- **Variable**—The statistic you want to set the threshold value on.
- **Value**—The value of the variable that you want the alarm to trigger at. This value is the difference (delta) between two consecutive polls of the variable by Device Manager.
- **Sample**—The sample period (in seconds) between two consecutive polls of the variable. Select your sample period such that the variable does not cross the threshold value you set under normal operating conditions.
- **Warning**—The warning level used by Device Manager to indicate the severity of the triggered alarm. This is a DCNM-SAN and Device Manager enhancement to RMON.



Note To configure any type of RMON alarm (absolute or delta, rising or falling threshold) click More on the Threshold Manager dialog box. You should be familiar with how RMON defines these concepts before configuring these advanced alarm types. Refer to the RMON-MIB (RFC 2819) for information on how to configure RMON alarms.



Note You must also configure SNMP on the switch to access RMON MIB objects.

RMON Alarm Configuration Information

Threshold Manager provides a list of common MIB objects to set an RMON threshold and alarm on. The alarm feature monitors a specific MIB object for a specified interval, triggers an alarm at a specified value (rising threshold), and resets the alarm at another value (falling threshold).

You can also set an alarm on any MIB object. The specified MIB must be an existing SNMP MIB object in standard dot notation (1.3.6.1.2.1.2.2.1.14.16777216 16 16777216 for ifInOctets.167772161616777216).

Use one of the following options to specify the interval to monitor the MIB variable (ranges from 1 to 4294967295 seconds):

- Use the **delta** option to test the change between samples of a MIB variable.
- Use the **absolute** option to test each MIB variable directly.
- Use the **delta** option to test any MIB objects that are counters.

The range for the **rising threshold** and **falling threshold** values is -2147483647 to 2147483647.



Caution The **falling threshold** must be less than the **rising threshold**.

You can optionally specify the following parameters:

- The event-number to trigger if the rising or falling threshold exceeds the specified limit.
- The owner of the alarm.

Default Settings

[Table 24: Default RMON Settings](#), on page 181 lists the default settings for all RMON features in any switch.

Table 24: Default RMON Settings

Parameters	Default
RMON alarms	Disabled
RMON events	Disabled

Configuring RMON

RMON is disabled by default, and no events or alarms are configured in the switch.

Configuring the RMON Traps in SNMP

To enable RMON traps in the SNMP configuration, follow these steps:

Before you begin

You must enable the RMON traps in the SNMP configuration for the RMON configuration to function correctly.

Procedure

-
- Step 1** `switch# configure terminal`
Enters configuration mode.
- Step 2** `switch(config)# snmp-server enable traps rmon`
Enables the RMON trap types.

Note You must also configure SNMP on the switch to access RMON MIB objects.

Configuring the RMON Alarm

To enable RMON alarms, follow these steps:

Procedure

Step 1 switch# **configure terminal**

Enters configuration mode.

Step 2 switch(config)# **rmon alarm 20 1.3.6.1.2.1.2.2.1.14.16777216 2900 delta rising-threshold 15 1 falling-threshold 0 owner test**

Configures RMON alarm number 20 to monitor the 1.3.6.1.2.1.2.2.1.14.16777216 once every 900 seconds until the alarm is disabled and checks the change in the variables rise or fall. If the value shows a MIB counter increase of 15 or more, the software triggers an alarm. The alarm in turn triggers event number 1, which is configured with the RMON event command. Possible events can include a log entry or an SNMP trap. If the MIB value changes by 0, the alarm is reset and can be triggered again.

Note You can also configure the following rmon events:

- Event 1: Fatal
- Event 3: Error
- Event 4: Warning
- Event 5: Information

Step 3 switch(config)# **no rmon alarm 2**

Deletes the specified entry from the alarm table.

Configuring the RMON Event

To enable RMON events, follow these steps:

Procedure

Step 1 switch# **configure terminal**

Enters configuration mode.

Step 2 switch(config)# **rmon event 2 log trap eventtrap description CriticalErrors owner Test2**

Creates RMON event number 2 to define CriticalErrors and generates a log entry when the event is triggered by the alarm. The user Test2 owns the row that is created in the event table by this command. This example also generates an SNMP trap when the event is triggered.

Note You can also configure the following rmon events:

- Event 1: Fatal
- Event 3: Error
- Event 4: Warning
- Event 5: Information

Step 3 `switch(config)# no rmon event 5`
Deletes an entry from the RMON event table.

Verifying the RMON Configuration

To display the RMON configuration information, perform one of the following tasks:

Command	Purpose
<code>show rmon alarms</code>	Displays Configured RMON Alarms
<code>show rmon hcalarms</code>	Displays Configured RMON High Capacity Alarms
<code>show rmon events</code>	Displays Configured RMON Events

For detailed information about the fields in the output from these commands, refer to the [Cisco MDS 9000 NX-OS Command Reference](#).

Use the `show rmon` and `show snmp` commands to display configured RMON and SNMP information (see [Configured RMON Alarms, on page 183](#) and [Configured RMON Events, on page 184](#)).

Configured RMON Alarms

The following example displays configured RMON alarms:

```
switch# show rmon alarms
Alarm 1 is active, owned by admin
Monitors 1.3.6.1.2.1.2.2.1.16.16777216 every 1 second(s)
Taking delta samples, last value was 0
Rising threshold is 1, assigned to event 0
Falling threshold is 0, assigned to event 0
On startup enable rising or falling alarm
```

Confirmed RMON High Capacity Alarms

The following example displays confirmed RMON high capacity alarms:

```
switch# show rmon hcalarms
High Capacity Alarm 10 is active, owned by Testuser
Monitors 1.3.6.1.2.1.31.1.1.1.6.16785408 every 300 second(s)
```

```

Taking absolute samples, last value was 0 (valuePositive)
Rising threshold low is 4294967295 & high is 15 (valuePositive)
Rising threshold assigned to event 1
Falling threshold low is 0 & high is 0 (valueNotAvailable)
Falling threshold assigned to event 0
On startup enable rising alarm
Number of Failed Attempts is 0

```



Note High capacity RMON alarms can be configured using the CISCO-HC-ALARM-MIB. See the *Cisco MDS 9000 Series MIB Quick Reference*.

Configured RMON Events

The following example displays configured RMON events:

```

switch# show rmon events
Event 2 is active, owned by Test2
  Description is CriticalErrors
  Event firing causes log and trap to community eventtrap, last fired 0
Event 500 is active, owned by admin
  Description is
  Event firing causes log, last fired 138807208

```

Additional References

For additional information related to implementing RMON, see the following section:

MIBs

MIBs	MIBs Link
<ul style="list-style-type: none"> • CISCO-RMON-CAPABILITY.my • CISCORMON-CONFIGCAPABILITY.my • CISCO-RMON-CONFIG-MIB 	To locate and download MIBs, go to the following URL: http://www.cisco.com/en/US/products/ps5989/prod_technical_reference_list.html

Feature History for RMON

The following table lists the release history for this feature. Only features that were introduced or modified in Release 3.x or a later release appear in the table.

Table 25: Feature History for RMON

Feature Name	Releases	Feature Information
RMON high capacity alarms	3.0(1)	Provides the show rmon high capacity alarms command to display RMON high capacity alarm values.



CHAPTER 10

Configuring Online Diagnostics

Beginning with Cisco MDS NX-OS Release 6.2, the Cisco MDS 9700 Family supports the GOLD (Generic Online Diagnostics) feature. GOLD is a diagnostic service which is also supported on the Cisco Nexus 7000 and 7700 series switches. This chapter describes how to configure the GOLD feature on a Cisco MDS 9700 Family switch.

- [Information About Online Diagnostics, on page 185](#)
- [Licensing Requirements for Online Diagnostics, on page 192](#)
- [Default Settings, on page 192](#)
- [Configuring Online Diagnostics, on page 193](#)
- [Verifying the Online Diagnostics, on page 199](#)
- [Configuration Examples for Online Diagnostics, on page 200](#)
- [Additional References, on page 200](#)

Information About Online Diagnostics

Online diagnostics verifies the hardware and data paths and identifies faulty devices.

Online Diagnostic Overview

The GOLD (Generic Online Diagnostics) framework tests and verifies the hardware devices and data path in a live system.

The GOLD tests can be executed in three modes:

- Bootup
- Health-monitoring (also called Runtime)
- On-demand

The following explains the diagnostics test suite attributes:

- B/C/* - Bypass bootup level test / Complete bootup level test / NA
- P/* - Per port test / NA
- M/S/* - Only applicable to active / standby unit / NA
- D/N/* - Disruptive test / Non-disruptive test / NA
- H/O/* - Always enabled monitoring test / Conditionally enabled test / NA

- F/* - Fixed monitoring interval test / NA
- X/* - Not a health monitoring test / NA
- E/* - Sup to line card test / NA
- L/* - Exclusively run this test / NA
- T/* - Not an ondemand test / NA
- A/I/* - Monitoring is active / Monitoring is / NA

Bootup Diagnostics

Bootup diagnostics run during bootup and detect faulty hardware before a Cisco MDS 9700 Family switch brings a module online. For example, if there is a faulty module in the device, the appropriate bootup diagnostics test fails indicating the fault.



Note The bootup diagnostics tests are triggered during bootup.

Table 26: [Bootup Diagnostics](#), on page 186 describes the bootup diagnostic tests for a linecard and a supervisor.

Table 26: Bootup Diagnostics

Diagnostic	Attributes	Description
Linecard		
EOBCPortLoopback	C**D**X**T*	Verifies the health of EOBC (Ethernet Out-of-Band Connectivity) interface.
OBFL	C**N**X**T*	Verifies the integrity of the OBFL (Onboard Failure Logging) flash.
BootupPortLoopback	CP*N**XE*T*	PortLoopback test that runs only during module bootup. Note Beginning from the Cisco MDS NX-OS Release 6.2(11), BootupPortLoopback failure for FC ports (on the Cisco MDS 48-Port 16-Gbps Fibre Channel module) puts the failed ports in a diagfailure mode.
Supervisor		
USB	C**N**X**T*	Verifies the USB controller initialization on a module.
ManagementPortLoopback	C**D**X**T*	Verifies the health of management interface of a module.
EOBCPortLoopback	C**D**X**T*	Verifies the health of EOBC (Ethernet Out-of-Band Connectivity) interface.
OBFL	C**N**X**T*	Verifies the integrity of the OBFL (Onboard Failure Logging) flash.

When the **show module** command is executed, the result of bootup diagnostics is displayed as Online Diag Status. The result of individual test is displayed when the **show diagnostic result** command is executed for appropriate module and test ID or test name.

The Cisco MDS 9700 Family switch can be configured to either bypass the bootup diagnostics or run the complete set of bootup diagnostics. See the [Setting the Bootup Diagnostic Level, on page 193](#).

Health Monitoring Diagnostics

Health Monitoring (HM) diagnostics is enabled by default to verify the health of a live system at periodic intervals. The monitoring interval (within an allowed range) can be configured by the user, which is different for each test. See the [Activating a Health Monitoring Diagnostic Test, on page 194](#) for more information. The diagnostic tests detect hardware errors and data path issues.

Health Monitoring diagnostics are non-disruptive (does not disrupt the data or control traffic). The Health Monitoring tests can be disabled by the user. See the [Deactivating a Health Monitoring Diagnostic Test, on page 195](#) for more information.

The following table describes the health monitoring diagnostics for a supervisor.

Diagnostic	Default Testing Interval	Attributes	Description
Supervisor			
ASICRegisterCheck	20 seconds	***N*****A	Verifies read or write access to scratch registers for the ASICs on the supervisor.
NVRAM	5 minutes	***N*****A	Verifies the sanity of the NVRAM blocks on a supervisor.
RealTimeClock	5 minutes	***N*****A	Verifies that the real-time clock on the supervisor is ticking.
PrimaryBootROM	30 minutes	***N*****A	Verifies the integrity of the primary boot device on the supervisor.
SecondaryBootROM	30 minutes	***N*****A	Verifies the integrity of the secondary boot device on the supervisor.
CompactFlash	30 minutes	***N*****A	Verifies access to the compact flash devices.
ExternalCompactFlash	30 minutes	***N*****A	Verifies access to the external compact flash devices.
PwrMgmtBus	30 seconds	**MN*****A	Verifies the standby power management control bus.
SystemMgmtBus	30 seconds	**MN*****A	Verifies the availability of the standby system management bus.
StatusBus	30 seconds	**MN*****A	Verifies the status transmitted by the status bus for the supervisor, modules, and fabric cards.
StandbyFabricLoopback	30 seconds	**SN*****A	Verifies the connectivity of the standby supervisor to the fabric modules.

Table 27: Health Monitoring Diagnostics, on page 188 describes the health monitoring diagnostics for the Cisco MDS 48-Port 16-Gbps Fibre Channel module.

Table 27: Health Monitoring Diagnostics

Diagnostic	Default Testing Interval	Attributes	Description
Linecard			
ASICRegisterCheck	1 minute	***N*****A	Verifies read or write access to scratch registers for the ASICs on a module.
PrimaryBootROM	30 minutes	***N*****A	Verifies the integrity of the primary boot device on a module.
SecondaryBootROM	30 minutes	***N*****A	Verifies the integrity of the secondary boot device on a module.
SnakeLoopback	20 minutes	*P*N***E**	Verifies connectivity from sup to all the ports in the Linecard. It checks the integrity of the data path up to the MAC component in a progressive manner (a single run of tests covers all the ports). It runs on all the ports irrespective of their states. This is a non-disruptive test.
IntPortLoopback	5 minutes	*P*N***E***	Verifies connectivity from sup to all the ports in the Linecard (one port at a time). It checks the integrity of the data path up to the MAC component. This test runs in Health Monitoring (HM) mode as well as it can be triggered in “on-demand mode.” This test is Non-disruptive. Note The IntPortLoopback test is supported beginning from the Cisco MDS NX-OS Release 6.2(7).
RewriteEngine Loopback	1 minute	*P*N***E**A	Verifies the integrity of each link on the fabric module from sup to linecard.

Table 28: Health Monitoring Diagnostics , on page 188 describes the health monitoring diagnostics for the Cisco MDS 48-Port 10-Gbps Fibre Channel over Ethernet Module.

Table 28: Health Monitoring Diagnostics

Diagnostic	Default Testing Interval	Attributes	Description
Linecard			
ASICRegisterCheck	1 minute	***N*****A	Verifies read or write access to scratch registers for the ASICs on a module.

Diagnostic	Default Testing Interval	Attributes	Description
PrimaryBootROM	30 minutes	***N*****A	Verifies the integrity of the primary boot device on a module.
SecondaryBootROM	30 minutes	***N*****A	Verifies the integrity of the secondary boot device on a module.
PortLoopback	15 minutes	*P*D**E**A	Verifies connectivity from sup to all the ports in the linecard. It checks the integrity of the data path up to PHY. This test runs in Health Monitoring (HM) mode as well as it can be triggered in “on-demand mode.” It runs only on ports which are down (administratively). This is a disruptive test. Note The PortLoopback test runs only on ports which are administratively down.
RewriteEngine Loopback	1 minute	*P*N**E**A	Verifies the integrity of each link between linecards or sup and linecard through fabric modules.
SnakeLoopback	20 minutes	*P*N**E**	Verifies connectivity from sup to all the ports in the linecard. It checks the integrity of the data path up to the MAC component in a progressive manner. It runs on all the ports irrespective of their states. This is a non-disruptive test.

On-Demand Diagnostics

All the Health Monitoring tests can be evoked on demand also. On-demand diagnostics runs only when invoked by the user.

Cisco MDS 48-Port 16-Gbps Fibre Channel module—There are only 2 tests which can be invoked in on-demand mode only, see [Table 29: On-Demand Diagnostics, on page 190](#).

Cisco MDS 48-Port 10-Gbps Fibre Channel over Ethernet Module—There are no tests which can be invoked only in on-demand mode.



Note The data paths (PHY and SFP) which are not verified by other Health Monitoring tests can be verified by the PortLoopback and ExtPortLoopback tests.

You can run on-demand diagnostics whenever required. See the [Starting or Stopping an On-Demand Diagnostic Test, on page 196](#) for more information.

On Cisco MDS 48-Port 16-Gbps Fibre Channel module, both the PortLoopback and ExtPortLoopback tests are available in on-demand mode only as they are disruptive.

[Table 29: On-Demand Diagnostics, on page 190](#) describes the on-demand diagnostics (for linecard only) on the *Cisco MDS 48-Port 16-Gbps Fibre Channel module*.

Table 29: On-Demand Diagnostics

Diagnostic	Attributes	Description
Linecard		
PortLoopback	*P*D**XE***	Verifies connectivity from sup to all the ports in the linecard. It checks the integrity of the data path up to PHY. This test is available only in “on-demand mode.” The test runs on all the ports irrespective of the port state. Note Portloopback test is equivalent to the Serdes Loopback test of OHMS.
ExtPortLoopback	*P*D**XE***	Identifies hardware errors in the entire data path up to PHY including the SFP. Note Connect a loopback plug to loop the Tx of the port to the Rx of the port before running the test. If the loopback plug is not connected this test fails. Note The ExtPortLoopback test is supported beginning from the Cisco MDS NX-OS Release 6.2(11c).

**Caution**

The PortLoopback and ExtPortLoopback tests are disruptive as they bring down the port for the purpose of diagnostic operation.

Recovery Actions on Specified Health Monitoring Diagnostics

When the Health Monitoring Diagnostic test fails consecutively for a threshold number of up to 10 times, it takes default action through EEM, which includes generating alerts (callhome, syslog) and logging (OBFL, exception logs), and the diagnostic test gets disabled on the failed instance (port or fabric or device).

These actions are informative, but they do not remove faulty devices from the live system, which can lead to network disruption, traffic black holing, and so forth.

**Note**

Restart the Health Monitoring tests on failed instances by clearing the test result, deactivating, and then activate the test on the same module. For more information see [Clearing Diagnostic Results, on page 198](#), [Deactivating a Health Monitoring Diagnostic Test, on page 195](#), and [Activating a Health Monitoring Diagnostic Test, on page 194](#).

Beginning with the Cisco MDS NX-OS Release 6.2(11), the system can be configured to take corrective (recovery) actions in addition to the default actions after reaching the threshold number of consecutive failures for any of the following Health Monitoring tests:

- PortLoopback test (supported only on Cisco MDS 48-Port 10-Gbps FCoE Module)
- RewriteEngineLoopback test
- StandbyFabricLoopback test

- Internal PortLoopback test



Note The corrective (recovery) actions are disabled by default.

Corrective (recovery) Action for Supervisor

The corrective action for sup is as follows:

StandbyFabricLoopback test—The system reloads the standby supervisor and after three retries, the system powers off the standby supervisor.



Note After reload, when the standby supervisor comes online, the Health Monitoring Diagnostics starts by default.



Note One retry means a complete cycle of reloading the standby supervisor followed by threshold number of consecutive failures of StandbyFabricLoopback test.

Corrective (Recovery) Action for Cisco MDS 48-Port 16-Gbps Fibre Channel Module

The corrective action for each test is as follows:

- Internal PortLoopback test—The system brings down the failed ports and puts them in a diagfailure state.
- RewriteEngineLoopback test—The system takes different corrective action depending on the faulty component (supervisor or fabric):
 - On a chassis with a standby supervisor (which is in ha-standby state), if the system detects a fault with the active supervisor, the system triggers a switchover and switches over to the standby supervisor. If there is no standby supervisor in the chassis, the system does not take any action.



Note As the PortLoopback test is available only in on-demand mode on the Cisco MDS 48-Port 16-Gbps Fibre Channel Module, it does not support corrective actions.



Note From the Cisco MDS NX-OS Release 6.2(13), RewriteEngineLoopback test and corrective actions for RewriteEngineLoopback test are supported on the Cisco MDS 48-Port 16-Gbps Fibre Channel Module.

Corrective (Recovery) Action for Cisco MDS 48-Port 10-Gbps FCoE Module

- PortLoopback test—The system brings down the failed ports and puts them in an error disabled state.
- RewriteEngineLoopback test—The system takes different corrective action depending on the faulty component (supervisor or fabric):

- On a chassis with a standby supervisor (which is in ha-standby state), if the system detects a fault with the active supervisor, the system triggers a “switchover” and switches over to the standby supervisor. If there is no standby supervisor in the chassis, the system does not take any action.



Note If the standby supervisor present in the chassis is powered down in response to the corrective action (associated with StandbyFabricLoopback test), the system does not take any action.

- After 10 consecutive failures of the RewriteEngineLoopback test, if the faulty component is determined as the fabric module, it will reload that particular fabric module. This cycle of 10 consecutive failures and reload occurs for 3 consecutive times and then the fabric module is powered down.
- After 10 consecutive failures of the PortLoopback test, if the faulty component is determined as the port, the system moves the faulty port to an error-disabled state.

High Availability

A key part of high availability is detecting hardware failures and taking corrective action in a live system. GOLD contributes to the high availability of the system by detecting hardware failures and providing feedback to software components to make switchover decisions.

Cisco MDS 9700 Family switches support stateless restart for GOLD by applying the running configuration after a reboot. After supervisor switchover, GOLD resumes diagnostics from the new active supervisor.

Licensing Requirements for Online Diagnostics

Product	License Requirement
Cisco NX-OS	Online diagnostics require no license. Any feature not included in a license package is bundled with the Cisco NX-OS system images and is provided at no extra charge to you. For a complete explanation of the Cisco NX-OS licensing scheme, see the Cisco MDS 9000 Family NX-OS Licensing Guide.

Default Settings

[Table 30: Default Online Diagnostic Parameters](#), on page 192 lists the default settings for online diagnostic parameters.

Table 30: Default Online Diagnostic Parameters

Parameters	Default
Bootup diagnostics level	complete
Health Monitoring tests	active
Corrective (Recovery) actions	disabled

Configuring Online Diagnostics

Setting the Bootup Diagnostic Level

To configure the bootup diagnostics to run the complete set of tests, or to bypass all bootup diagnostic tests for a faster module bootup time, perform these tasks:



Note It is recommended to set the bootup online diagnostics level to **complete**.

Procedure

Step 1 **configure terminal**

Example:

```
switch# configure terminal  
Enter configuration commands, one per line. End with CNTL/Z.  
switch(config)#
```

Places in the global configuration mode.

Step 2 **diagnostic bootup level {complete | bypass }**

Example:

```
switch(config)# diagnostic bootup level complete
```

Configures the bootup diagnostic level to trigger diagnostics when the device boots:

- **complete**—Performs all bootup diagnostics. The default is complete.
- **bypass**—Does not perform any bootup diagnostics.

Step 3 **show diagnostic bootup level**

Example:

```
switch(config)# show diagnostic bootup level
```

(Optional) Displays the bootup diagnostic level (bypass or complete) that is currently in place on the device.

Step 4 **copy running-config startup-config**

Example:

```
switch(config)# copy running-config startup-config
```

(Optional) Copies the running configuration to the startup configuration.

Displaying the List of Available Tests

Procedure

show diagnostic content module *slot*

Example:

```
switch# show diagnostic content module 1
```

(Optional) Displays the list of information about the diagnostics and their attributes on a given module.
slot—The module number on which the test is activated.

Activating a Health Monitoring Diagnostic Test

Procedure

Step 1 **configure terminal**

Example:

```
switch# configure terminal
Enter configuration commands, one per line. End with CNTL/Z.
switch(config)#
```

Enters global configuration mode.

Step 2 **diagnostic monitor interval module** *slot* **test** [*test-id* | *name* | **all**] **hour** *hour* **min** *minutes* **second** *sec*

Example:

```
switch(config)# diagnostic monitor interval module 6 test 3 hour 1 min 0 sec 0
```

(Optional) Configures the interval at which the specified test is run. If no interval is set, the test runs at the interval set previously, or the default interval.

The arguments are as follows:

- slot—The module number on which the test is activated.
- test-id—Unique identification number for the test.
- name—Predefined name of the test.
- hour —The range is from 0 to 23 hours.

- minutes—The range is from 0 to 59 minutes.
- seconds—The range is from 0 to 59 seconds.

Step 3 **diagnostic monitor module** *slot* **test** [*test-id* | *name* | **all**]

Example:

```
switch(config)# diagnostic monitor module 6 test 3
switch(config)# diagnostic monitor module 6 test SecondaryBootROM
```

Activates the specified test.

The arguments are as follows:

- *slot*—The module number on which the test is activated.
- *test-id*—Unique identification number for the test.
- *name*—Predefined name of the test.

Step 4 **show diagnostic content module** {*slot* | **all**}

Example:

```
switch(config)# show diagnostic content module 6
```

(Optional) Displays information about the diagnostics and their attributes.

The argument is as follows:

- *slot*—The module number on which the test is activated.

Deactivating a Health Monitoring Diagnostic Test



Note Inactive tests keep their current configuration but do not run at the scheduled interval.

To deactivate a test, perform this task:

Command	Purpose
<p>no diagnostic monitor module <i>slot</i> test [<i>test-id</i> <i>name</i> all]</p> <p>Examples:</p> <pre>switch(config)# no diagnostic monitor interval module 8 test 3 switch(config)# no diagnostic monitor interval module 8 test SecondaryBootROM</pre>	<p>Deactivates the specified test.</p> <p>The arguments are as follows:</p> <ul style="list-style-type: none"> • <i>slot</i>—The module number on which the test is activated. • <i>test-id</i>—Unique identification number for the test. • <i>name</i>—Predefined name of the test.

Starting or Stopping an On-Demand Diagnostic Test

On-demand diagnostic test can be started or stopped, with actions (optional) to modify the number of iterations to repeat the test and determine the action to be taken on test failure.



Note It is recommended to manually start a disruptive diagnostic test during a scheduled network maintenance time.

To start or stop an on-demand diagnostic test, perform these tasks:

Procedure

Step 1 **diagnostic ondemand iteration** *number*

Example:

```
switch# diagnostic ondemand iteration 5
```

(Optional) Configures the number of times that the on-demand test runs. The range is from 1 to 999. The default is 1.

Step 2 **diagnostic ondemand action-on-failure** {**continue failure-count** *num-fails* | **stop**}

Example:

```
switch# diagnostic ondemand action-on-failure stop
```

(Optional) Configures the action to take if the on-demand test fails.

Step 3 **show diagnostic ondemand setting**

Example:

```
switch# show diagnostic ondemand setting
Test iterations = 1
Action on test failure = continue until test failure limit reaches 1
```

(Optional) Displays information about on-demand diagnostics.

Step 4 **diagnostic start module** *slot test* [*test-id* | *name* | **all** | **non-disruptive**][**port** *port-number* | **all**]

Example:

```
switch# diagnostic start module 6 test all
```

Starts one or more diagnostic tests on a module.

The arguments are as follows:

- **all**— All the tests are triggered.

Note The multiple test- id or name can be specified separated by commas.

- **non-disruptive**—All the non-disruptive tests are triggered.

- port— The tests can be invoked on a single port or range of ports or all ports.

Step 5 **diagnostic run module** *slot* **test** {PortLoopback | RewriteEngineLoopback | SnakeLoopback | IntPortLoopback | ExtPortLoopback} {port *port-id* }

Example:

```
switch# diagnostic run module 3 test PortLoopback port 1
```

Starts the selected test on a module and displays the result on the completion of the test.

Note This command is introduced from the Cisco MDS NX-OS Release 6.2(11c).

For more information, see [Starting an On-Demand Diagnostic Test in On-demand Mode, on page 197](#).

Step 6 **diagnostic stop module** *slot* **test** [*test-id* | *name* | **all**]

Example:

```
switch# diagnostic stop module 6 test all
```

(Optional) Stops one or more diagnostic tests on a module.

Step 7 **show diagnostic status module** *slot*

Example:

```
switch# show diagnostic status module 6
```

(Optional) Displays all the tests which are running and queued up with information about the testing mode for that module.

When the tests are not running or enqueued on the given module, the status is displayed as NA.

Step 8 **show diagnostic result module** *slot* **test** [*test-id* | *name*]

Example:

```
switch# show diagnostic result module 1 test 3 SecondaryBootROM
```

(Optional) Displays the result of the specified test.

Starting an On-Demand Diagnostic Test in On-demand Mode

OHMS (Online Health Management System) supports invoking tests in an “on-demand mode” which displays the results immediately after running the test.

From the Cisco MDS NX-OS Release 6.2(11c), GOLD supports invoking a specific test from a set of tests in “on-demand mode” and displaying the test results immediately after running the test.

GOLD tests can be invoked in an 'on-demand' mode using the **diagnostic start module** command. The **diagnostic run module** command also supports the same action but there are a few key differences between the two. The following are the differences between the two commands:

- In contrast to the **diagnostic start module** command, the **diagnostic run module** command blocks the current CLI session till the completion of test. After the completion of the test the CLI session is unblocked, and the result is displayed on the same console.



Note The CLI session will be blocked till the completion of test or for a maximum of 15 seconds. If the test is not completed within the time frame of 15 seconds, then GOLD unblocks the CLI session and allows the test to run in the background till completion.



Note Only one test can be invoked on a particular module using the **diagnostic run module** command. If the user attempts to invoke another test on the same module, it displays an error and the test is not invoked.

- The **diagnostic start module** command requires the user to execute the **show diagnostic result** command in order to display the test result. As the test runs in the background (the current CLI session is not blocked), the user needs to issue **show diagnostic result** command to view the result, whereas the test result is implicitly displayed on the same console when the **diagnostic run module** command is executed.
- The results displayed through the diagnostic run command are more intuitive than those from the show diagnostic results command.



Note The maximum number of ports recommended for the **diagnostic run module** command is 5.

Clearing Diagnostic Results

To clear the diagnostic test results, use the following command:

Command	Purpose
diagnostic clear result module [<i>slot</i> all] test { <i>test-id</i> all } Example: <pre>switch# diagnostic clear result module 2 test all</pre> <pre>switch# diagnostic clear result module 2 test 3</pre>	Clears the test result for the specified test.

Simulating Diagnostic Results

To test the behavior of GOLD in case of a diagnostic test failure, GOLD provides a mechanism to simulate the test failure on a port, sup, or fabric.



Note Simulating a failure after enabling corrective actions will result in triggering an action (see Corrective action) on the component where the failure was simulated.

To simulate a diagnostic test result, use the following command:

Command	Purpose
diagnostic test simulation module slot test test-id {fail random-fail success } [port number all] Example: switch# diagnostic test simulation module 2 test 2 fail	Simulates a test result.

To clear the simulated diagnostic test result, use the following command:

Command	Purpose
diagnostic test simulation module slot test test-id clear Example: switch# diagnostic test simulation module 2 test 2 clear	Clears the simulated test result.

Enabling Corrective (Recovery) Actions

To enable corrective (recovery) actions, use the following command:

Procedure

Step 1 **configure terminal**

Enters global configuration mode.

Step 2 **diagnostic eem action conservative**

Example:

```
switch(config)# diagnostic eem action conservative
```

Enables corrective or recovery actions.

Note This command is applicable to the system as a whole and cannot be specifically configured to any particular module or test.

Step 3 **no diagnostic eem action conservative**

Disables corrective (recovery) actions.

Verifying the Online Diagnostics

To display GOLD test results, status, and configuration information use one of these commands:

Command	Purpose
show diagnostic bootup level	Displays information about bootup diagnostics.
show diagnostic content module <i>{slot all}</i>	Displays information about diagnostic test content for a module.
show diagnostic description module <i>slot test</i> [<i>test-name</i> all]	Displays the diagnostic description.
show diagnostic events [error info]	Displays diagnostic events by error and information event type.
show diagnostic ondemand setting	Displays information about on-demand diagnostics.
show diagnostic result module <i>slot</i> [test [<i>test-name</i> all]] [detail]	Displays information about the results of a diagnostic.
show diagnostic simulation module <i>slot</i>	Displays information about a simulated diagnostic.
show diagnostic status module <i>slot</i>	Displays the test status for all tests on a module.
show module	Displays module information including the online diagnostic test status.
show diagnostic eem action	Displays the status of the corrective (recovery) action.

Configuration Examples for Online Diagnostics

This example shows how to start all on-demand tests on a module:

```
diagnostic start module 6 test all
```

This example shows how to activate a test and set the test interval for a test on a module:

```
configure terminal
```

```
diagnostic monitor module 6 test 2
```

```
diagnostic monitor interval module 6 test 2 hour 3 min 30 sec 0
```

Additional References

For additional information related to implementing online diagnostics, see the following sections:

Related Documents

Related Topic	Document Title
Online diagnostics CLI commands	Cisco MDS 9000 Family Command Reference

Feature History for Online Diagnostics

Table 31: Feature History for Online Diagnostics, on page 201 lists the release history for this feature.

Table 31: Feature History for Online Diagnostics

Feature Name	Releases	Feature Information
Support for RewriteEngine Loopback on Cisco MDS 48-Port 16-Gbps Fibre Channel Module	6.2(13)	This feature was introduced.
Support for ExtPortLoopback test on Cisco MDS 48-Port 16-Gbps Fibre Channel Module	6.2(11c)	This feature was introduced.
Support for corrective (recovery) actions in Cisco MDS 48-Port 16-Gbps Fibre Channel Module	6.2(11)	This feature was introduced.
PortLoopback testing to bring up sequence of FC ports	6.2(11)	This feature was introduced.
Support for corrective actions in Cisco MDS 48-Port 10 Gigabit Fibre Channel over Ethernet Module	6.2(11)	This feature was introduced.
GOLD support for RNG 10Gbps FCoE module	6.2(7)	This feature was introduced.
IntPortLoopback on Cisco MDS 48-Port 16-Gbps Fibre Channel Module	6.2(7)	This feature was introduced.
Generic Online Diagnostics (GOLD)	6.2	This feature was introduced.



CHAPTER 11

Configuring Interswitch Link Diagnostics

This chapter describes how to configure the ISL Diagnostics on the Cisco MDS switches.

- [Information About ISL Diagnostics, on page 203](#)
- [Configuring ISL Diagnostics, on page 206](#)
- [Debugging ISL Diagnostics, on page 216](#)
- [Additional References, on page 217](#)

Information About ISL Diagnostics

ISL Diagnostics feature helps in validating the health of interswitch links between the Cisco MDS switches in a network.

ISL Diagnostic Overview

ISL diagnostics is supported on the following platforms:

- Cisco MDS 9500 Series Switches
- Cisco MDS 9700 Series Switches
- Cisco MDS 9396S Switch

ISL diagnostics is supported on the following FC modules of the Cisco MDS Switches:

- Advanced 8-Gbps modules on Cisco MDS 9500 Series Switches
 - DS-X9232-256K9
 - DS-X9248-256K9
- 16-Gbps modules on Cisco MDS 9700 Series Switches
 - DS-X9448-768K9



Note The ISL diagnostic support on the modules is limited to the generator and reflector ports only.

- The diagnostic tests can be performed between two supported modules of different switch families on either side.

The following tests can be performed using ISL diagnostics:

- Latency test
- Single Hop Traffic Test
- Multihop End-to-End Traffic Test

ISL diagnostics is not supported on the following FC modules of the Cisco MDS Switches:

- DS-X9224-96K9
- DS-X9248-96K9
- DS-X9248-48K9
- DS-X9304-18K9



Note

- ISL diagnostics are not supported on other non-MDS switches such as Nexus 2000 and Nexus 5000.
 - ISL diagnostics are not supported on Cisco MDS 9148S 16G Multilayer Fabric Switch and Cisco MDS 9250i Multiservice Fabric Switch.
 - ISL diagnostics are not supported on any of the FCoE and IPS modules of the Cisco MDS Switches.
 - ISL diagnostics are not supported on FEC-enabled links.
 - The ISL diagnostic feature is interoperable between the Cisco MDS 9700 and 9500 switches. (For example, for a particular ISL diagnostic test, the generator switch can be a Cisco MDS 9700 switch and the reflector switch can be a Cisco MDS 9500 switch or vice versa.)
-

Latency Test

Latency test measures the latency of an ISL between two Cisco MDS switches.

The frame is looped back by the reflector switch port to the generator switch where the timestamps are captured.

Timestamps allow the latency of the link to be measured in both directions as well as the latency of the reflector port. The cable length is calculated using only the link latencies. The accuracy of the reported cable length is +/- 2 meters. On Cisco MDS switches, the cable length (for latency test) is validated up to 50 meters of the cable length.

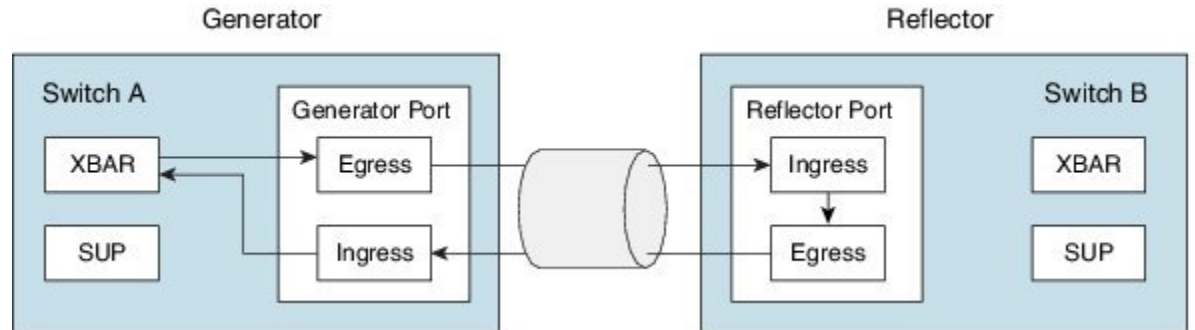


Note

When a latency test is executed, there should not be any other traffic running on the same link.

[Figure 7: Latency Test, on page 205](#) shows the details for the latency test.

Figure 7: Latency Test



Single Hop Traffic Test

The Single Hop Traffic Test validates the health of an ISL by checking the efficiency of the ISL to handle traffic at various frame rates.

Fibre Channel (FC) frames are generated in the generator switch using the internal traffic generator facility available in the MAC hardware. These frames are transmitted from the generator switch port over the ISL under test. The reflector switch receives the frames, switches them via the normal fabric switching path and transmits the frames back through the received port onto the ISL under test.

The efficiency of the ISL traffic is calculated based on the number of packets received back on the generator switch port.



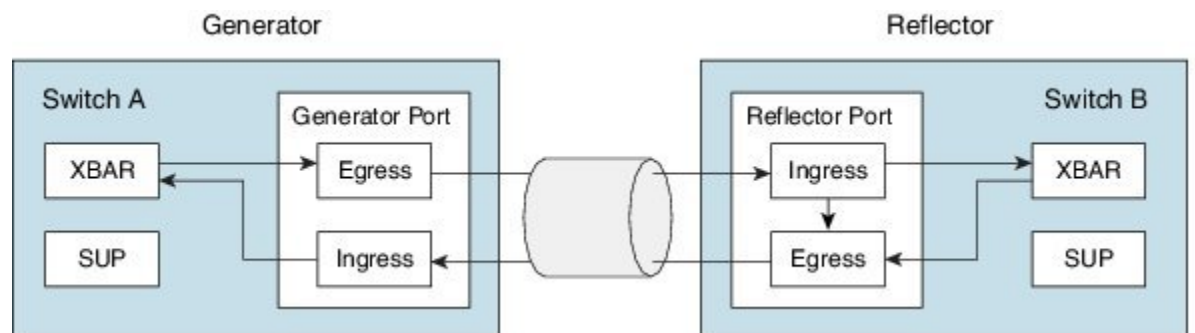
Note When a single hop test is executed, there should not be any other traffic running on the same link.

The traffic test returns with an error in the following scenarios:

- If the ISL is not up.
- If the generator port does not have an internal traffic generator facility.
- When the reflector is not put in a loopback mode.

Figure 8: Single Hop Traffic Test, on page 205 shows the details for Single Hop Traffic Test:

Figure 8: Single Hop Traffic Test



Multihop End-to-End Traffic Test

The Multihop test evaluates the health of the ISL between a host switch and a target switch in a fabric.

Before connecting a host to a target in a fabric, test the fabric path between the host port and the target port, using a Multihop test.

Multiple hops can exist between the host switch and the target switch. No specific configuration is required on the intermediate switches.



Note The intermediate switches in the fabric can have any interface or link, for example, FC, FCoE, IPS, and so on, between them, as long as a route exists between the generator and the reflector port.

Fibre channel (FC) frames are generated at the generator switch port and transmitted to the first hop link. These frames traverse intermediate switches until they reach the reflector switch. The reflector switch then switches the frames and returns them to the generator switch. Based on the number of packets received on the generator switch, the efficiency of the ISL is displayed.

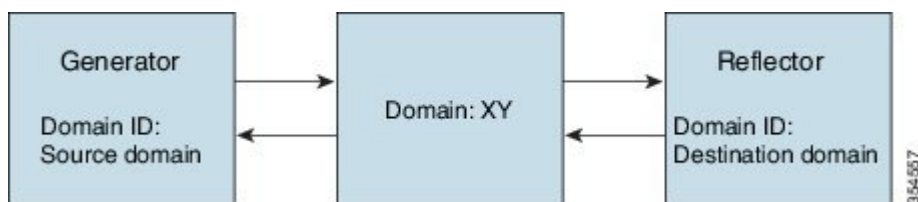
The Multihop traffic test is based on the domain IDs of the generator and reflector switches.



Note When a Multihop traffic test is executed, there should not be any other traffic running on both the generator and the reflector ports; however, there can be traffic running over the ISLs that is used by the Multihop traffic test.

Figure 9: Multihop End-to-End Traffic Test , on page 206 shows the details for Multihop End-to-End Traffic Test:

Figure 9: Multihop End-to-End Traffic Test



Configuring ISL Diagnostics

Configuring Latency Test on Cisco MDS 9700 Series Switches

To configure the latency test between the generator and reflector switches perform the following tasks:

Procedure

- Step 1** Enable the test interface on the reflector switch for testing latency by setting it to loopback mode using the following command:

```
switch B# diagnostic isl reflector latency_test loop-back interface interface id enable
```

Step 2 Configure the generator switch to run the test and display the results:

```
switch A# diagnostic isl latency-test interface interface id
```

Step 3 To disable the reflector port for latency testing configure the following command on the reflector switch:

```
switch B# diagnostic isl reflector latency_test loop-back interface interface id disable
```

Latency Test

This example shows how to enable a port on a reflector switch for latency testing:

```
switch B# diagnostic isl reflector latency_test loop-back interface fc1/13 enable
Reflector Configuration Successful.
```

This example shows how to run the latency test:

```
switch A# diagnostic isl latency-test interface fc4/1
Waiting for sync to be achieved on the link ....
Sync is achieved, Link has been initialized.
Starting the test ....
-----
Latency test Result for port:                fc4/1
Latency in the switch (in ns):                399
Latency in the cable (in ns):                39
Length of the cable (accuracy +/- 2m):        4 m
-----
```

This example shows how to disable a port on a reflector switch for latency testing:

```
switch B# diagnostic isl reflector latency_test loop-back interface fc1/13 disable
Reflector Configuration Successful.
```

Configuring Latency Test on Other Supported Platforms

To configure the latency test between the generator and reflector switches perform the following tasks:

Procedure

Step 1 Enable the test interface on the reflector switch for testing latency by setting it to loopback mode using the following command:

```
switch B# system health isl reflector latency_test loop-back interface interface id enable
```

Step 2 Configure the generator switch to run the test and display the results:

```
switch A# system health isl latency-test interface interface id
```

Step 3 To disable the reflector port for latency testing configure the following command on the reflector switch:

```
switch B# system health isl reflector latency_test loop-back interface interface id disable
```

Latency Test

This example shows how to enable a port on a reflector switch for latency testing:

```
switch B# system health isl reflector latency_test loop-back interface fc4/25 enable
Reflector Configuration Successful.
```

This example shows how to run the latency test:

```
switch A# system health isl latency-test interface fc 1/13
Waiting for sync to be achieved on the link ....
Sync is achieved, Link has been initialized.
Starting the test ....
```

```
-----
Latency test Result for port: fc1/13
Latency in the switch (in ns): 5504
Latency in the cable (in ns): 664
Length of the cable (accuracy +/- 2m): 4.816514 m
-----
```

This example shows how to disable a port on a reflector switch for latency testing:

```
switch B# system health isl reflector latency_test loop-back interface fc4/25 disable
Reflector Configuration Successful.
```

Configuring a Single Hop Traffic Test on Cisco MDS 9700 Series Switches

To configure a Single Hop Traffic Test between the generator switch and the reflector switch, perform the following tasks:

Procedure

- Step 1** Enable the test interface on the reflector switch for Single Hop Traffic Test by setting it to loopback mode using the following command:
- ```
switch B# diagnostic isl reflector traffic_test loop-back interface interface id enable
```
- Step 2** Configure the interface using one of the following options:
- Configure the interface on the generator switch to run the traffic test for a given frame count, frame size, and rate (link speed) parameters:
- ```
switch A# diagnostic isl generator interface interface id start frame-count number rate value
frame_size min minimum size max maximum size step num
```


- Configure the interface on the generator switch to run the traffic test for a given duration, frame size, and rate (link speed) parameters:

```
switch A# diagnostic isl generator interface interface id start duration seconds rate value frame_size
min minimum size max maximum size step num
```

Step 3 To stop the Single Hop Traffic Test or to display the test result on the generator switch use the following command:

```
switch A# diagnostic isl generator interface interface id stop
```

Step 4 To disable the reflector port for Single Hop Traffic Test configure the following command on the reflector switch:

```
switch B# diagnostic isl reflector traffic_test loop-back interface interface id disable
```

Step 5 View the results of the Single Hop Traffic Test:

```
switch B# show diagnostic isl result interface interface id
```

Single Hop Traffic Test

This example shows how to enable the test interface on the reflector switch for Single Hop Traffic Test by setting it to loopback mode:

```
switch B# diagnostic isl reflector traffic_test loop-back interface fc9/37 enable
Reflector Configuration Successful.
```

This example shows how to run a traffic test on the generator switch for a particular duration, speed, and frame size parameters:

```
switch A# diagnostic isl generator interface fc4/5 start duration 100 rate 25% frame_size
min 16 max 517 step 1
```

This example shows how to run and stop a traffic test stop and display the results for duration parameter:

```
switch A# diagnostic isl generator interface fc4/3 start duration 10
Waiting for sync to be achieved on the link ...
Link initialized successfully. Starting the test.
```

```
switch A# diagnostic isl generator interface fc4/3 stop
-----
Traffic test Result for port:                fc4/3
Packets Transmitted:                        6245142
Packets Recieved:                           6245142
ISL traffic Efficiency (percent):           100.0000
-----
```

```
switch B# diagnostic isl reflector traffic_test loop-back interface fc9/37 disable
Reflector Configuration Successful.
```

This example shows the results of the Single Hop Traffic Test:

```

switch B# show diagnostic isl result interface fc 5/3
-----
Single hop Traffic test Result for port: fc5/3
Packets Transmitted:                30621868
Packets Recieved:                   30621868
ISL traffic Efficiency (percent):    100.0000
-----

```

Configuring a Single Hop Traffic Test on Other Supported Platforms

To configure a Single-Hop Traffic Test between the generator switch and the reflector switch, perform the following tasks:

Procedure

-
- Step 1** Enable the test interface on the reflector switch for Single Hop Traffic Test by setting it to loopback mode using the following command:
- ```
switch B# system health isl reflector traffic_test loop-back interface interface id enable
```
- Step 2** Configure the interface using one of the following options:
- Configure the interface on the generator switch to run the traffic test for a given frame count, frame size, and rate (link speed) parameters:
 

```
switch A# system health isl generator interface interface id start frame-count number rate value frame_size min minimum size max maximum size step num
```
  - Configure the interface on the generator switch to run the traffic test for a given duration, frame size, and rate (link speed) parameters:
 

```
switch A# system health isl generator interface interface id start duration seconds rate value frame_size min minimum size max maximum size step num
```
- Step 3** To stop the Single Hop Traffic Test or to display the test results on the generator switch use the following command:
- ```
switch A# system health isl generator interface interface id stop
```
- Step 4** To disable the reflector port for Single Hop Traffic Test configure the following command on the reflector switch:
- ```
switch B# system health isl reflector traffic_test loop-back interface interface id disable
```
- Step 5** View the results of the Single Hop Traffic Test:
- ```
switch B# show system health isl result interface interface id
```
-

Single Hop Traffic Test

This example shows how to enable the test interface on the reflector switch for Single Hop Traffic Test by setting it to loopback mode:

```
switch B# system health isl reflector traffic_test loop-back interface fc9/37 enable
Reflector Configuration Successful.
```

This example shows how to run and stop a traffic test and display the result for duration parameter on a generator switch:

```
switch A# system health isl generator interface fc12/16 start duration 100
Waiting for sync to be achieved on the link ....
Link initialized successfully. Starting the test.
```

```
switch A# system health isl generator interface fc12/16 stop
```

```
-----
Traffic test Result for port:                fc12/16
Packets Transmitted:                        5293153
Packets Recieved:                          5293153
ISL traffic Efficiency (percent):           100.0000
-----
```

```
switch B# system health isl reflector traffic_test loop-back interface fc9/37 disable
Reflector Configuration Successful.
```

This example shows the results of the Single Hop Traffic Test:

```
switch B# show system health isl result interface fc 1/18
```

```
-----
Single hop Traffic test Result for port:    fc1/18
Packets Transmitted:                       1019885186
Packets Recieved:                         1019885186
ISL traffic Efficiency (percent):           100.0000
-----
```

Configuring a Multihop Traffic Test on Cisco MDS 9700 Series Switches

To configure a Multihop Traffic Test between the generator switch and the reflector switch, perform the following tasks:

Procedure

- Step 1** Enable the test interface on the reflector switch by setting it to loopback mode for a given VSAN and domain ID of the generator switch for Multihop Traffic Test:

From Cisco MDS NX-OS Release 8.4(1) and later, use the following command:

```
switch B# diagnostic isl multi_hop reflector loop-back interface interface id enable vsan vsan id
source-domain source id
```

For Cisco MDS NX-OS Release 8.3(2) and earlier, use the following command:

```
switch B# diagnostic isl multi_hop reflector loop-back interface interface id vsan vsan id source-domain
source id enable
```

To obtain the source domain use the following command on the reflector switch:

```
switch B# show fcdomain domain-list vsan vsan id
```

Step 2 Configure the interface on the generator switch to run the Multihop Traffic Test for a given VSAN, destination domain (domain ID of the reflector switch), frame count, link speed, and frame size parameters:

From Cisco MDS NX-OS Release 8.4(1) and later, use the following command:

```
switch A# diagnostic isl multi_hop generator interface interface id start vsan vsan id dest-domain dest id frame-count number rate value frame_size min minimum size max maximum size step num
```

For Cisco MDS NX-OS Release 8.3(2) and earlier, use the following command:

```
switch A# diagnostic isl multi_hop generator interface interface id vsan vsan id dest-domain dest id startframe-count number rate value frame_size min minimum size max maximum size step num
```

Configure the interface on the generator switch to run the Multihop Traffic Test for a given VSAN, destination domain (domain ID of the reflector switch), duration, rate (link speed), and frame size parameters:

From Cisco MDS NX-OS Release 8.4(1) and later, use the following command:

```
switch A# diagnostic isl multi_hop generator interface interface id start vsan vsan id dest-domain dest id duration seconds rate value frame_size min minimum size max maximum size step num
```

For Cisco MDS NX-OS Release 8.3(2) and earlier, use the following command:

```
switch A# diagnostic isl multi_hop generator interface interface id vsan vsan id dest-domain dest id start duration seconds rate value frame_size min minimum size max maximum size step num
```

To obtain the destination domain use the following command on the generator switch:

```
switch A# show fcdomain domain-list vsan vsan id
```

Step 3 To stop the Multihop Traffic Test or to display the test results on the generator switch use the following command:

From Cisco MDS NX-OS Release 8.4(1) and later, use the following command:

```
switch A# diagnostic isl multi_hop generator interface interface id stop
```

For Cisco MDS NX-OS Release 8.3(2) and earlier, use the following command:

```
switch A# diagnostic isl multi_hop generator interface interface id vsan vsan id dest-domain dest id stop
```

Step 4 To disable the reflector port for Multihop Traffic Test configure the following command on the reflector switch:

From Cisco MDS NX-OS Release 8.4(1) and later, use the following command:

```
switch B# diagnostic isl multi_hop reflector loop-back interface interface id disable
```

For Cisco MDS NX-OS Release 8.3(2) and earlier, use the following command:

```
switch B# diagnostic isl multi_hop reflector loop-back interface interface id vsan vsan id source-domain source id disable
```

Step 5 View the results of the Multihop Traffic Test:

```
switch B# show diagnostic isl result interface interface id
```

MultiHop Traffic test

This example shows how to display the domain list on both the generator and reflector switches:

```
switch# show fcdomain domain-list vsan 1
Number of domains: 3
Domain ID          WWN
-----
0x85 (133)        20:01:00:0d:ec:b7:20:01 [Principal]
0xef (239)        20:01:40:55:39:0c:70:81 [Local]
0x02 (2)          20:01:00:0d:ec:b7:28:c1
```

This example shows how to enable the test interface on the reflector switch by setting it to loopback mode for a given VSAN and domain ID of the generator switch for Multihop Traffic Test:

```
switch B# diagnostic isl multi_hop reflector loop-back interface fc9/36 enable vsan 1
source_domain 239
```

This example shows how to run, stop, and display the results of the traffic test on the generator switch for frame count parameter:

```
switch A# diagnostic isl multi_hop generator interface fc4/10 start vsan 1 dest_domain 133
duration 100
switch A# diagnostic isl multi_hop generator interface fc4/10 stop
Generator is stopped. Clean-up in progress.
Please wait....
-----
Traffic test Result for port:          fc4/10
Packets Transmitted:                  6291024
Packets Recieved:                    6291024
ISL traffic Efficiency (percent):     100.0000
-----
switch B# diagnostic isl multi_hop reflector loop-back interface fc9/36 disable
```

This example shows how to run a traffic test on the generator switch for a particular duration, speed, and frame size parameters:

```
switch A# diagnostic isl multi_hop generator interface fc4/10 start vsan 1 dest_domain 133
duration 100 rate 16G frame_size min 16 max 517 step 1
switch#diagnostic isl multi_hop generator interface fc 1/7 stop
Generator is stopped. Clean-up in progress.
Please wait....
-----
Traffic test Result for port: fc1/7
Packets Transmitted: 52415159
Packets Recieved: 52415159
ISL traffic Efficiency (percent): 100.0000
-----
```

This example shows the results of the Multihop Traffic Test:

```
switch#show diagnostic isl result interface fc 4/17
-----
Multi hop Traffic test Result for port:   fc4/17
```

```

Packets Transmitted:                6131424
Packets Recieved:                   6131424
ISL traffic Efficiency (percent):    100.0000
-----

```

Configuring a Multihop Traffic Test on Other Supported Platforms

To configure a Multihop Traffic Test between the generator switch and the reflector switch, perform the following tasks:

Procedure

Step 1 Enable the test interface on the reflector switch by setting it to loopback mode for a given VSAN and domain ID of the generator switch for Multihop Traffic Test:

From Cisco MDS NX-OS Release 8.4(1) and later, use the following command:

```
switch B# system health isl multi_hop reflector loop-back interface interface idenable vsan vsan id source-domain source id
```

For Cisco MDS NX-OS Release 8.3(2) and earlier, use the following command:

```
switch B# system health isl multi_hop reflector loop-back interface interface id vsan vsan id source-domain source id enable
```

To obtain the source domain use the following command on the reflector switch:

```
switch B# show fcdomain domain-list vsan vsan id
```

Step 2 Configure the interface on the generator switch to run the Multihop Traffic Test for a given VSAN, destination domain (domain ID of the reflector switch), frame count, link speed, and frame size parameters:

From Cisco MDS NX-OS Release 8.4(1) and later, use the following command:

```
switch A# system health isl multi_hop generator interface interface id start vsan vsan id dest-domain dest id frame-count number rate value frame_size min minimum size max maximum size step num
```

For Cisco MDS NX-OS Release 8.3(2) and earlier, use the following command:

```
switch A# system health isl multi_hop generator interface interface id vsan vsan id dest-domain dest id start frame-count number rate value frame_size min minimum size max maximum size step num
```

Configure the interface on the generator switch to run the Multihop Traffic Test for a given VSAN, destination domain (domain ID of the reflector switch), duration, rate (link speed), and frame size parameters:

From Cisco MDS NX-OS Release 8.4(1) and later, use the following command:

```
switch A# system health isl multi_hop generator interface interface id start vsan vsan id dest-domain dest id duration seconds rate value frame_size min minimum size max maximum size step num
```

For Cisco MDS NX-OS Release 8.3(2) and earlier, use the following command:

```
switch A# system health isl multi_hop generator interface interface id vsan vsan id dest-domain dest id start duration seconds rate value frame_size min minimum size max maximum size step num
```

To obtain the destination domain use the following command on the generator switch:

```
switch A# show fcdomain domain-list vsan vsan id
```

- Step 3** To stop the Multihop Traffic Test or to display the test result on the generator switch use the following command:
- From Cisco MDS NX-OS Release 8.4(1) and later, use the following command:
- ```
switch A# system health isl multi_hop generator interface interface id stop
```
- For Cisco MDS NX-OS Release 8.3(2) and earlier, use the following command:
- ```
switch A# system health isl multi_hop generator interface interface id vsan vsan id dest-domain dest id stop
```
- Step 4** To disable the reflector port for Multihop Traffic Test configure the following command on the reflection switch:
- From Cisco MDS NX-OS Release 8.4(1) and later, use the following command:
- ```
switch B# system health isl multi_hop reflector loop-back interface interface id disable
```
- For Cisco MDS NX-OS Release 8.3(2) and earlier, use the following command:
- ```
switch B# system health isl multi_hop reflector loop-back interface interface id vsan vsan id source-domain source id disable
```
- Step 5** View the results of the Multihop Traffic Test:
- ```
switch B# show system health isl result interface interface id
```

---

### Multihop Traffic test

This example shows how to display the domain list on both the generator and reflector switches:

```
switch# show fcdomain domain-list vsan 1
Number of domains: 3
Domain ID WWN

0x85 (133) 20:01:00:0d:ec:b7:20:01 [Principal]
0xef (239) 20:01:40:55:39:0c:70:81 [Local]
0x02 (2) 20:01:00:0d:ec:b7:28:c1
```

This example shows how to enable loop back to the generator switch interface present in a VSAN from the reflector switch for a Multihop Traffic Test:

```
switch B# system health isl multi_hop reflector loop-back interface fc9/36 enable vsan 1
source_domain 239
```

This example shows how to start, stop, and display the results of the traffic test on the generator switch for frame count parameter:

```
switch A# system health isl multi_hop generator interface fc3/18 start vsan 1 dest_domain
2 frame-count 1000000
switch A# system health isl multi_hop generator interface fc3/18 stop
Generator is stopped. Clean-up in progress.
Please wait....

```

```
Traffic test Result for port: fc3/18
Packets Transmitted: 1000000
Packets Recieved: 1000000
ISL traffic Efficiency (percent): 100.0000

```

```
switch B# system health isl multi_hop reflector loop-back interface fc9/36 disable
```

This example shows how to run a traffic test on the generator switch for a particular duration, speed, and frame size parameters:

```
switch A# system health isl multi_hop generator interface fc4/5 start vsan 1 dest_domain
133 duration 100 rate 16G frame_size min 16 max 517 step 1
```

This example shows the results of the Multihop Traffic Test:

```
switch B# show system health isl result interface fc 1/18

Multi hop Traffic test Result for port: fc1/7
Packets Transmitted: 3065550
Packets Recieved: 3065550
ISL traffic Efficiency (percent): 100.0000

```

## Debugging ISL Diagnostics

The following table lists the debug commands for this feature. To display the ISL diagnostic test status use one of the following commands:

**Table 32: Debug commands**

| Command                                                         | Reference                                                            |
|-----------------------------------------------------------------|----------------------------------------------------------------------|
|                                                                 | Cisco MDS 9700 Switches [Cisco MDS NX-OS Release 8.2(1) and earlier] |
| <b>diagnostic isl show status start <i>index num number</i></b> | Displays the status of configured ISL diagnostic tests per port.     |
|                                                                 | Cisco MDS 9700 Switches [Cisco MDS NX-OS Release 8.3(1) and later]   |



| Command                                                                                                                                                                                                                                                                                                                                                                                                                                                                                                                                                                                                                                                                                                                                                                                                                                                                                                                                                                 | Reference                                                        |
|-------------------------------------------------------------------------------------------------------------------------------------------------------------------------------------------------------------------------------------------------------------------------------------------------------------------------------------------------------------------------------------------------------------------------------------------------------------------------------------------------------------------------------------------------------------------------------------------------------------------------------------------------------------------------------------------------------------------------------------------------------------------------------------------------------------------------------------------------------------------------------------------------------------------------------------------------------------------------|------------------------------------------------------------------|
| <p><b>system health isl show status</b></p> <p>Example:</p> <pre>switch# system health isl show status show status of isl_daig: ----- Index: 0 if_index:0x110f000 :is_running: 0 is_reflector:1 is_latency:1 is_multihop:0 Index: 1 if_index:0x0 :is_running: 0 is_reflector:0 is_latency:0 is_multihop:0 Index: 2 if_index:0x0 :is_running: 0 is_reflector:0 is_latency:0 is_multihop:0 Index: 3 if_index:0x0 :is_running: 0 is_reflector:0 is_latency:0 is_multihop:0 Index: 4 if_index:0x0 :is_running: 0 is_reflector:0 is_latency:0 is_multihop:0 Index: 5 if_index:0x0 :is_running: 0 is_reflector:0 is_latency:0 is_multihop:0 Index: 6 if_index:0x0 :is_running: 0 is_reflector:0 is_latency:0 is_multihop:0 Index: 7 if_index:0x0 :is_running: 0 is_reflector:0 is_latency:0 is_multihop:0 Index: 8 if_index:0x0 :is_running: 0 is_reflector:0 is_latency:0 is_multihop:0 Index: 9 if_index:0x0 :is_running: 0 is_reflector:0 is_latency:0 is_multihop:0</pre> | Displays the status of configured ISL diagnostic tests per port. |

## Additional References

For additional information related to implementing online diagnostics, see the following sections:

### Related Documents

| Related Topic                             | Document Title                          |
|-------------------------------------------|-----------------------------------------|
| InterSwitch Link Diagnostics CLI commands | Cisco MDS 9000 Family Command Reference |

### Feature History for Online Diagnostics

Table 33: [Feature History for Online Diagnostics, on page 217](#) lists the release history for this feature.

**Table 33: Feature History for Online Diagnostics**

| Feature Name    | Releases    | Feature Information          |
|-----------------|-------------|------------------------------|
| ISL Diagnostics | 7.3(0)D1(1) | This feature was introduced. |





## CHAPTER 12

# Using Pathtrace

- [Pathtrace, on page 219](#)

## Pathtrace

The Pathtrace feature builds on the Traceroute feature to provide information about interfaces, such as ingress and egress interface names and the number of transmitted and received frames and errors, at each hop in the path between 2 devices in a fabric. Pathtrace provides an end-to-end view of the shortest path without the need to connect to individual switches and check the Fabric Shortest Path First (FSPF) topology hop by hop.

Pathtrace is used to trace the path from a switch on which the **pathtrace** command is run, to a destination device or all the devices in a destination domain. The Pathtrace feature works with the Fibre Channel, Fibre Channel over Ethernet (FCoE), and Fibre Channel over IP (FCIP) interfaces. Pathtrace collects information about the available paths within the fabric and provides information for devices along the shortest path. Pathtrace displays the source interface, destination interface, cost, speed, and other statistics when used with the **detail** keyword. The **pathtrace** command can also be used to display the reverse path information (from destination back to the source). If the destination cannot be reached, Pathtrace displays the device on which the connectivity terminated.

The statistics displayed for various types of interfaces are:

- Fibre Channel interface—The statistics are displayed for the associated Fibre Channel interfaces.
- Virtual Fibre Channel (VFC) interface—The statistics are displayed for the associated Ethernet interfaces.
- Fibre Channel port channel—The statistics are displayed for port channels.
- VFC port channel—The statistics are displayed for VFC port channels.
- FCIP interface or FCIP port channel—The statistics are displayed for the FCIP interfaces or FCIP port channels.

## Guidelines and Limitations for Pathtrace

- Pathtrace is not supported on Cisco MDS switches that are operating in the Cisco NPV mode.
- Pathtrace does not support interop mode.
- Pathtrace is supported only on Cisco MDS switches and not on other vendor switches.

- Pathtrace does not support virtual domains (Inter-VSAN Routing [IVR] for Pathtrace).
- Pathtrace is not manageable via Simple Network Management Protocol (SNMP).
- Pathtrace supports a maximum of 16 hops without the reverse option, and 8 hops with the reverse option.
- Statistics are displayed only for egress interfaces.
- Statistics for FCIP and FCIP port-channel interfaces are not displayed for devices in the path running Cisco MDS NX-OS Release 6.2(5).

## Using Pathtrace or Pathtrace Multipath

To display per-hop interface information along the paths between 2 devices, run this command:

```
switch# pathtrace {domain id | fcid id} vsan id [[reverse] [detail] | [multipath]]
```

The following example shows how to trace the path between a switch in which the command is executed and an edge device, using the edge device's FCID:

```
switch# pathtrace fcid 0xca016c vsan 2000
The final destination port type is F_Port

Hop Domain In-Port Out-Port Speed Cost Switchname

0 111 embedded fc1/6 4G 250 switch1
1 202 fc1/6 fc1/1 2G - switch2
NOTE: The stats are displayed for the egress interface only
```

The following example shows how to trace both the forward path and the return path between a switch in which the command is executed and an edge device, using the edge device's FCID:

```
switch# pathtrace fcid 0xca016c vsan 2000 reverse
The final destination port type is F_Port

Hop Domain In-Port Out-Port Speed Cost Switchname

0 111 embedded fc1/6 4G 250 switch1
1 202 fc1/6 fc1/1 2G - switch2
2 202 embedded fc1/6 4G 250 switch2
3 111 fc1/6 embedded - - switch1
NOTE: The stats are displayed for the egress interface only
```

The following example shows how to display detailed information about the interfaces (both the forward path and the return path) between a switch in which the command is executed and an edge device, using the edge device's FCID:

```
switch# pathtrace fcid 0xca016c vsan 2000 reverse detail
The final destination port type is F_Port

Hop 0 Domain In-Port Out-Port Speed Cost Switchname

 111 embedded fc1/6 4G 250 switch1

Stats for egress port: fc1/6
TxRt (B/s): 2944
RxRt (B/s): 3632
TxB_B: 32
```

```

 RxB_B: 32
 TxFrame: 137467
 RxFrame: 137475
 Errors: 0
 Discard: 0
 CRC: 0

```

```

Hop 1 Domain In-Port Out-Port Speed Cost Switchname
 202 fc1/6 fc1/1 2G - switch2

```

Stats for egress port: fc1/1

```

 TxRt (B/s): 1424
 RxRt (B/s): 1528
 TxB_B: 0
 RxB_B: 32
 TxFrame: 711
 RxFrame: 649
 Errors: 0
 Discard: 15
 CRC: 0

```

```

Hop 2 Domain In-Port Out-Port Speed Cost Switchname
 202 embedded fc1/6 4G 250 switch2

```

Stats for egress port: fc1/6

```

 TxRt (B/s): 3632
 RxRt (B/s): 2952
 TxB_B: 32
 RxB_B: 32
 TxFrame: 137476
 RxFrame: 137467
 Errors: 0
 Discard: 0
 CRC: 0

```

```

Hop 3 Domain In-Port Out-Port Speed Cost Switchname
 111 fc1/6 embedded - - switch1

```

Stats for egress port: embedded

```

 TxRt (B/s): -
 RxRt (B/s): -
 TxB_B: -
 RxB_B: -
 TxFrame: -
 RxFrame: -
 Errors: -
 Discard: -
 CRC: -

```

NOTE: The stats are displayed for the egress interface only

The following example shows how to trace all the links (including equal-cost parallel links) in the paths between all the edge devices in a domain and a switch in which the command is executed:

```

switch# pathtrace domain 238 vsan 1 multipath
***NOTE ***
I - Ingress
E - Egress
M - Member Port-channel
* - Fport
.....
PATH 1 switch1 switch2
Domain 236 235
.....

```

```

HOP 1 switch1 (fc1/11) (E) ----- (I) (fc1/12) switch2

Interface Spd(G) Tx(B/s) Rx(B/s) TxB2B RxB2B Errors Discards CRC
TxWait(1s/1m/1h/72h) FibDrops ZoneDrops

(E) fc1/11 8.0 84 44 64 64 0 2 0 0%/0%/0%/0%
- - -
(I) fc1/12 8.0 44 84 64 64 0 0 0 0%/0%/0%/0%
- -

HOP 2 switch2 (fc1/3) (E) *End Device

Interface Spd(G) Tx(B/s) Rx(B/s) TxB2B RxB2B Errors Discards CRC
TxWait(1s/1m/1h/72h) FibDrops ZoneDrops

(E) fc1/3 4.0 0 0 16 64 0 0 0 0%/0%/0%/0%
- -

.....
PATH 2 switch1 switch2
Domain 236 235

HOP 1 switch1 (fc1/12) (E) ----- (I) (fc1/11) switch2

Interface Spd(G) Tx(B/s) Rx(B/s) TxB2B RxB2B Errors Discards CRC
TxWait(1s/1m/1h/72h) FibDrops ZoneDrops

(E) fc1/12 8.0 64 180 64 64 0 0 0 0%/0%/0%/0%
- -
(I) fc1/11 8.0 180 64 64 64 0 0 0 0%/0%/0%/0%
- -

HOP 2 switch2 (fc1/3) (E) *End Device

Interface Spd(G) Tx(B/s) Rx(B/s) TxB2B RxB2B Errors Discards CRC
TxWait(1s/1m/1h/72h) FibDrops ZoneDrops

(E) fc1/3 4.0 0 0 16 64 0 0 0 0%/0%/0%/0%
- -

switch# pathtrace domain 132 vsan 447 multipath
***NOTE ***
I - Ingress
E - Egress
M - Member Port-channel
* - Fport
.....
PATH 1 switch1 switch2
Domain 187 132

HOP 1 switch1 (port-channel216) (E) ----- (I) (port-channel216) switch2

Interface InputRate (B/s) OutputRate (B/s) InputFrames (/sec)
OutputFrames (/sec)

(E) port-channel216 3393959 640827945 161838662680576 1375239938244608
(M) fcip50 292049 55048436 3239 27507
(M) fcip51 291539 55052889 3237 27508

```

|                     |           |          |                  |                 |
|---------------------|-----------|----------|------------------|-----------------|
| (M) fcip52          | 291702    | 55080573 | 3239             | 27522           |
| (M) fcip53          | 278265    | 52552382 | 3090             | 26258           |
| (M) fcip54          | 278291    | 52561525 | 3090             | 26263           |
| (M) fcip55          | 278346    | 52559754 | 3090             | 26262           |
| (M) fcip65          | 291647    | 55073072 | 3238             | 27518           |
| (M) fcip66          | 278491    | 52584017 | 3092             | 26274           |
| (M) fcip67          | 278362    | 52571056 | 3091             | 26268           |
| (M) fcip86          | 278290    | 52554341 | 3090             | 26259           |
| (M) fcip87          | 278426    | 52587737 | 3092             | 26276           |
| (M) fcip88          | 278551    | 52602163 | 3093             | 26283           |
| (I) port-channel216 | 640830213 | 3394016  | 1375252823146496 | 161842957647872 |
| (M) fcip50          | 55058685  | 292105   | 27512            | 3240            |
| (M) fcip51          | 55080107  | 291690   | 27522            | 3239            |
| (M) fcip52          | 55097520  | 291794   | 27530            | 3240            |
| (M) fcip53          | 52559881  | 278311   | 26262            | 3090            |
| (M) fcip54          | 52570959  | 278345   | 26268            | 3091            |
| (M) fcip55          | 52571081  | 278410   | 26268            | 3091            |
| (M) fcip65          | 55051714  | 291539   | 27507            | 3237            |
| (M) fcip66          | 52564219  | 278387   | 26264            | 3091            |
| (M) fcip67          | 52562847  | 278324   | 26264            | 3090            |
| (M) fcip86          | 52564931  | 278345   | 26265            | 3091            |
| (M) fcip87          | 52571632  | 278350   | 26268            | 3091            |
| (M) fcip88          | 52576637  | 278416   | 26271            | 3091            |

```
switch# pathtrace domain 83 vsan 70 multipath
```

```
***NOTE ***
```

```
I - Ingress
```

```
E - Egress
```

```
M - Member Port-channel
```

```
* - Fport
```

```
.....
```

```
PATH 1 switch1 switch2
```

```
Domain 144 83
```

```
.....
```

```

```

```
HOP 1 switch1 (vfc69) (E)----- (I) (vfc69) switch2
```

```

```

| Interface | Spd (G) | FcoeOut (Oct) | FcoeIn (Oct) | FcoeOutPkt | FcoeInPkt |
|-----------|---------|---------------|--------------|------------|-----------|
|-----------|---------|---------------|--------------|------------|-----------|

```

```

```

(E) vfc69 10.0 165604 153648 697 700
(I) vfc69 10.0 153716 166276 701 698

```

**Note**

- In the output, *embedded* indicates that the respective port is an HBA interface on an edge device.
- Some of the terminologies used in the multipath outputs are defined in the following table:

**Table 34: Multipath Terminologies**

| Term               | Description                                                               |
|--------------------|---------------------------------------------------------------------------|
| <b>FCIP</b>        |                                                                           |
| InputRate(B/s)     | The number of bytes received per second on the in port of an FCIP link.   |
| OutputRate(B/s)    | The number of bytes received per second on the out port of an FCIP link.  |
| InputFrames(/sec)  | The number of frames received per second on the in port of an FCIP link.  |
| OutputFrames(/sec) | The number of frames received per second on the out port of an FCIP link. |
| <b>vFC</b>         |                                                                           |
| FcoeOut(Oct)       | The number of egress FCoE octets on a vFC interface.                      |
| FcoeIn(Oct)        | The number of ingress FCoE octets on a vFC interface.                     |
| FcoeOutPkt         | The number of egress FCoE packets on a vFC interface.                     |
| FcoeInPkt          | The number of ingress FCoE packets on a vFC interface.                    |





## CHAPTER 13

# Configuring SNMP

---

The CLI and SNMP use common roles in all switches in the Cisco MDS 9000 Family. You can use SNMP to modify a role that was created using the CLI and vice versa.

Users, passwords, and roles for all CLI and SNMP users are the same. A user configured through the CLI can access the switch using SNMP (for example, the Cisco DCNM-SAN or the Device Manager) and vice versa.

- [Information About SNMP Security, on page 225](#)
- [Default Settings, on page 231](#)
- [Configuring SNMP, on page 231](#)
- [Verifying SNMP Configuration, on page 246](#)
- [Additional References, on page 250](#)

## Information About SNMP Security

SNMP is an application layer protocol that facilitates the exchange of management information between network devices. In all Cisco MDS 9000 Family switches, three SNMP versions are available: SNMPv1, SNMPv2c, and SNMPv3 (see [Figure 10: SNMP Security, on page 226](#)).

Figure 10: SNMP Security

**Cisco AVVID**  
Architecture for Voice, Video and Integrated Data

**Cisco IP Telephony Applications Server QuickBuilder**

For Quick and Easy  
Cisco IP Telephony Applications Server Setup

**CISCO SYSTEMS**

### ICD Directory Server Configuration

Please provide the authentication parameters for the LDAP server you will use:

Use this server's LDAP

LDAP Family:

DC Directory  
 Active Directory  
 iPlanet LDAP

LDAP Host:  LDAP Port:

User Search Base: (ou=users, o=cisco.com)

Directory Administrator DN: (cn=Directory Manager, o=cisco.com)

Directory Administrator Password:

< Back    Next >    Exit

85437

## SNMP Version 1 and Version 2c

SNMP Version 1 (SNMPv1) and SNMP Version 2c (SNMPv2c) use a community string match for user authentication. Community strings provided a weak form of access control in earlier versions of SNMP. SNMPv3 provides much improved access control using strong authentication and should be preferred over SNMPv1 and SNMPv2c wherever it is supported.

## SNMP Version 3

SNMP Version 3 (SNMPv3) is an interoperable standards-based protocol for network management. SNMPv3 provides secure access to devices by a combination of authenticating and encrypting frames over the network. The security features provided in SNMPv3 are:

- Message integrity—Ensures that a packet has not been tampered with in-transit.
- Authentication—Determines the message is from a valid source.
- Encryption—Scrambles the packet contents to prevent it from being seen by unauthorized sources.

SNMPv3 provides for both security models and security levels. A security model is an authentication strategy that is set up for a user and the role in which the user resides. A security level is the permitted level of security within a security model. A combination of a security model and a security level determines which security mechanism is employed when handling an SNMP packet.

## SNMPv3 CLI User Management and AAA Integration

The Cisco NX-OS software implements RFC 3414 and RFC 3415, including user-based security model (USM) and role-based access control. While SNMP and the CLI have common role management and share the same credentials and access privileges, the local user database was not synchronized in earlier releases.

SNMPv3 user management can be centralized at the AAA server level. This centralized user management allows the SNMP agent running on the Cisco MDS switch to leverage the user authentication service of the AAA server. Once user authentication is verified, the SNMP PDUs are processed further. The AAA server also is used to store user group names. SNMP uses the group names to apply the access/role policy that is locally available in the switch.

## CLI and SNMP User Synchronization

Any configuration changes made to the user group, role, or password results in database synchronization for both SNMP and AAA.

To create an SNMP or CLI user, use either the **username** or **snmp-server user** commands.

- The auth passphrase specified in the **snmp-server user** command is synchronized as the password for the CLI user.
- The password specified in the **username** command is synchronized as the auth and priv passphrases for the SNMP user.

Users are synchronized as follows:

- Deleting a user using either command results in the user being deleted for both SNMP and the CLI.
- User-role mapping changes are synchronized in SNMP and the CLI.



**Note** When the passphrase/password is specified in localized key/encrypted format, the password is not synchronized.

- Existing SNMP users continue to retain the auth and priv passphrases without any changes.
- If the management station creates an SNMP user in the usmUserTable, the corresponding CLI user is created without any password (login is disabled) and will have the network-operator role.

## AAA Exclusive Behavior in SNMPv3 Servers

The AAA exclusive behavior feature enables you to authenticate users based on location.

A unique SNMPv3 user is not authenticated if the user is not a local user or a remote AAA user. If the user exists in both the local and remote database, the user will be authenticated or rejected based on whether AAA exclusive behavior is enabled or not.

**Table 35: AAA Exclusive Behavior Scenarios**

| User Location       | AAA Server | AAA Exclusive Behavior | User Authentication        |
|---------------------|------------|------------------------|----------------------------|
| Local user database | Disabled   | Enabled                | User is authenticated.     |
| Local user database | Enabled    | Enabled                | User is not authenticated. |

|                                                 |          |          |                                                                        |
|-------------------------------------------------|----------|----------|------------------------------------------------------------------------|
| Local user database                             | Enabled  | Disabled | User is authenticated.                                                 |
| Local user database                             | Disabled | Disabled | User is authenticated.                                                 |
| Remote and local user databases (same username) | Enabled  | Enabled  | Remote user is authenticated, but the local user is not authenticated. |
| Remote and local user databases (same username) | Disabled | Enabled  | Local user is authenticated, but the remote user is not authenticated. |
| Remote and local user databases (same username) | Disabled | Disabled | Local user is authenticated, but the remote user is not authenticated. |
| Remote and local user databases (same username) | Enabled  | Disabled | Local user is authenticated, but the remote user is not authenticated. |

**Note**

When AAA servers are unreachable, a fallback option can be configured on the server so that a user is validated against the local user database. The SNMPv3 server returns an error if the user is not available in the local database or in the remote user database. The SNMPv3 server returns an “Unknown user” message without checking the availability of AAA servers when a user is not available in the remote user database.

## Restricting Switch Access

You can restrict access to a Cisco MDS 9000 Family switch using IP access control lists (IP-ACLs).

## Group-Based SNMP Access

**Note**

Because *group* is a standard SNMP term used industry-wide, we refer to role(s) as group(s) in this SNMP section.

SNMP access rights are organized by groups. Each group in SNMP is similar to a role through the CLI. Each group is defined with three accesses: read access, write access, and notification access. Each access can be enabled or disabled within each group.

You can begin communicating with the agent once your user name is created, your roles are set up by your administrator, and you are added to the roles.

## Creating and Modifying Users

You can create users or modify existing users using SNMP, DCNM-SAN, or the CLI.

- SNMP—Create a user as a clone of an existing user in the `usmUserTable` on the switch. Once you have created the user, change the cloned secret key before activating the user. Refer to RFC 2574.
- DCNM-SAN.
- CLI—Create a user or modify an existing user using the `snmp-server user` command.

A network-operator and network-admin roles are available in a Cisco MDS 9000 Family switch. There is also a default-role if you want to use the GUI (DCNM-SAN and Device Manager). You can also use any role that is configured in the Common Roles database.



**Tip** All updates to the CLI security database and the SNMP user database are synchronized. You can use the SNMP password to log into either DCNM-SAN or Device Manager. However, after you use the CLI password to log into DCNM-SAN or Device Manager, you must use the CLI password for all future logins. If a user exists in both the SNMP database and the CLI database before upgrading to Cisco MDS SAN-OS Release 2.0(1b), then the set of roles assigned to the user becomes the union of both sets of roles after the upgrade.

## AES Encryption-Based Privacy

The Advanced Encryption Standard (AES) is the symmetric cipher algorithm. The Cisco NX-OS software uses AES as one of the privacy protocols for SNMP message encryption and conforms with RFC 3826.

The `priv` option offers a choice of DES or 128-bit AES encryption for SNMP security encryption. The `priv` option along with the `aes-128` token indicates that this privacy password is for generating a 128-bit AES key. The AES `priv` password can have a minimum of eight characters. If the passphrases are specified in clear text, you can specify a maximum of 64 characters. If you use the localized key, you can specify a maximum of 130 characters.



**Note** For an SNMPv3 operation using the external AAA server, user configurations in the external AAA server require AES to be the privacy protocol to use SNMP PDU encryption.

## Traps, Notifications, and Informs

A trap is an unacknowledged message sent from an SNMP agent to SNMP managers in SNMPv1. It is known as a notification in SNMPv2 and SNMPv3. An inform is an acknowledged message sent from an SNMP agent to an SNMP manager. If the response is not received by the agent, it sends the inform request again.

An inform consumes more resources in the agent and in the network. Unlike a trap or notification, which is discarded by the agent as soon as it is sent, an inform request must be held in memory until a response is received, or the request times out. Traps and notifications can be sent only once, while informs can be sent multiple times. Resending informs increases traffic and contributes to a higher overhead on the network. The same traps, notifications, and informs can be sent to multiple host receivers.

## EngineID

An SNMP engineID is used to identify an entity independent of its source address. The entity consists of an SNMP engine and SNMP applications. The engineID is important when protocol data units (PDUs) must

traverse proxies or Network Address Translator (NAT), or when the source entity itself has a dynamically assigned transport address or multiple source addresses.

In SNMPv3, engineIDs are also used for encoding and decoding secure PDUs. This is a requirement of the SNMPv3 user-based security model (USM).

There are two types of engineIDs, local and remote. On Cisco MDS 9000 Series switches, only remote engineIDs can be configured. The local engineID is automatically generated by the switch based on the MAC address and does not change.

## LinkUp/LinkDown Notifications for Switches

You can configure which LinkUp/LinkDown notifications to enable on switches. You can enable the following types of LinkUp/LinkDown notifications:

- Cisco—Only notifications (cieLinkUp, cieLinkDown) defined in CISCO-IF-EXTENSION-MIB.my are sent for an interface, if ifLinkUpDownTrapEnable (defined in IF-MIB) is enabled for that interface.
- IETF—Only notifications (LinkUp, LinkDown) defined in IF-MIB are sent for an interface, if ifLinkUpDownTrapEnable (defined in IF-MIB) is enabled for that interface. Only the varbinds defined in the notification definition are sent with the notifications.
- IETF extended—Only notifications (LinkUp, LinkDown) defined in IF-MIB are sent for an interface, if ifLinkUpDownTrapEnable (defined in IF-MIB) is enabled for that interface. In addition to the varbinds defined in the notification definition, varbinds defined in the IF-MIB specific to the Cisco Systems implementation are sent. This is the default setting.
- IETF Cisco—Only notifications (LinkUp, LinkDown) defined in IF-MIB and notifications (cieLinkUp, cieLinkDown) defined in CISCO-IF-EXTENSION-MIB.my are sent for an interface, if ifLinkUpDownTrapEnable (defined in IF-MIB) is enabled for that interface. Only the varbinds defined in the notification definition are sent with the linkUp and linkDown notifications.
- IETF extended Cisco—Only notifications (LinkUp, LinkDown) defined in IF-MIB and notifications (cieLinkUp, cieLinkDown) defined in CISCO-IF-EXTENSION-MIB.my are sent for an interface, if ifLinkUpDownTrapEnable (defined in IF-MIB) is enabled for that interface. In addition to the varbinds defined in linkUp and linkDown notification definition, varbinds defined in the IF-MIB specific to the Cisco Systems implementation are sent with the LinkUp and LinkDown notifications.



**Note** For more information on the varbinds defined in the IF-MIB specific to the Cisco Systems implementation, refer to the *Cisco MDS 9000 Family MIB Quick Reference*.

## Scope of LinkUp and LinkDown Trap Settings

The LinkUp and LinkDown trap settings for the interfaces generate traps based on the following scope:

| Switch-level Trap Setting | Interface-level Trap Setting | Trap Generated for Interface Links? |
|---------------------------|------------------------------|-------------------------------------|
| Enabled (default)         | Enabled (default)            | Yes                                 |
| Enabled                   | Disabled                     | No                                  |
| Disabled                  | Enabled                      | No                                  |
| Disabled                  | Disabled                     | No                                  |

## Default Settings

Table 36: Default SNMP Settings , on page 231 lists the default settings for all SNMP features in any switch.

Table 36: Default SNMP Settings

| Parameters   | Default                       |
|--------------|-------------------------------|
| User account | No expiry (unless configured) |
| Password     | None                          |

## Configuring SNMP

SNMP is an application layer protocol that facilitates the exchange of management information between network devices.

### Assigning SNMP Switch Contact and Location Informations

You can assign the switch contact information, which is limited to 32 characters (without spaces), and the switch location.

To configure contact and location information, follow these steps:

#### Procedure

- 
- |               |                                                                                                         |
|---------------|---------------------------------------------------------------------------------------------------------|
| <b>Step 1</b> | <code>switch# configure terminal</code><br>Enters configuration mode.                                   |
| <b>Step 2</b> | <code>switch(config)# snmp-server contact NewUser</code><br>Assigns the contact name for the switch.    |
| <b>Step 3</b> | <code>switch(config)# no snmp-server contact NewUser</code><br>Deletes the contact name for the switch. |
| <b>Step 4</b> | <code>switch(config)# snmp-server location SanJose</code><br>Assigns the switch location.               |
| <b>Step 5</b> | <code>switch(config)# no snmp-server location SanJose</code><br>Deletes the switch location.            |
-

## Configuring SNMP Users from the CLI

The passphrase specified in the **snmp-server user** command and the **username** command are synchronized.



**Note** When the passphrase or password is specified in the **localizedkey** or encrypted format, the password is not synchronized. If a configuration file is copied to the device, the passwords will not be set correctly if the configuration file was generated at a different device. Explicitly configure the desired passwords after copying the configuration into the device.

To create or modify SNMP users from the CLI, follow these steps:

### Procedure

- Step 1** switch# **configure terminal**  
Enters configuration mode.
- Step 2** switch(config)# **snmp-server user joe network-admin auth sha abcd1234**  
Creates or modifies the settings for a user (joe) in the network-admin role using the HMAC-SHA-96 authentication password (abcd1234).
- Step 3** switch(config)# **snmp-server user sam network-admin auth md5 abcdefgh**  
Creates or modifies the settings for a user (sam) in the network-admin role using the HMAC-MD5-96 authentication password (abcdefgh).
- Step 4** switch(config)# **snmp-server user Bill network-admin auth sha abcd1234 priv abcdefgh**  
Creates or modifies the settings for a user (Bill) in the network-admin role using the HMAC-SHA-96 authentication level and privacy encryption parameters.
- Step 5** switch(config)# **no snmp-server user usernameA**  
Deletes the user (usernameA) and all associated parameters.
- Step 6** switch(config)# **no snmp-server usam role vsan-admin**  
Deletes the specified user (usam) from the vsan-admin role.
- Step 7** switch(config)# **snmp-server user user1 network-admin auth md5 0xab0211gh priv 0x45abf342 localizedkey**  
Specifies the password to be in localized key format (RFC 2574). The localized key is provided in hexadecimal format (for example, 0xabcdef).
- Step 8** switch(config)# **snmp-server user user2 auth md5 asdgfsadf priv aes-128 asgfsghkj**  
Configures the user2 with the MD5 authentication protocol and AES-128 privacy protocol.
- Step 9** switch(config)# **snmp-server user joe sangroup**  
Adds the specified user (joe) to the sangroup role.
- Step 10** switch(config)# **snmp-server user joe techdocs**



Adds the specified user (joe) to the techdocs role.

---

## Creating or Modifying Passwords

To create or modify passwords for SNMP users from the CLI, follow these steps:

### Procedure

---

- Step 1** switch# **configure terminal**  
Enters configuration mode.
- Step 2** switch(config)# **snmp-server user user1 role1 auth md5 0xab0211gh priv 0x45abf342 localizedkey**  
Specifies the password to be in localized key format using the DES option for security encryption.
- Step 3** switch(config)# **snmp-server user user1 role2 auth sha 0xab0211gh priv aes-128 0x45abf342 localizedkey**  
Specifies the password to be in localized key format using the 128-bit AES option for security encryption
- Note** The **snmp-server user** command takes the engineID as an additional parameter. The engineID creates the notification target user (see the [Configuring the Notification Target User](#), on page 242). If the engineID is not specified, the local user is created.
- 

## Enforcing SNMPv3 Message Encryption

By default the SNMP agent allows the securityLevel parameters of authNoPriv and authPriv for the SNMPv3 messages that use user-configured SNMPv3 message encryption with auth and priv keys.

To enforce the message encryption for a user, follow these steps:

### Procedure

---

- Step 1** switch# **configure terminal**  
Enters configuration mode.
- Step 2** switch(config)# **snmp-server user testUser enforcePriv**  
Enforces the message encryption for SNMPv3 messages using this user.
- Note** You can only use this command for previously existing users configured with both auth and priv keys. When the user is configured to enforce privacy, for any SNMPv3 PDU request using securityLevel parameter of either noAuthNoPriv or authNoPriv, the SNMP agent responds with authorizationError.
- Step 3** switch(config)# **no snmp-server user testUser enforcePriv**

Disables SNMPv3 message encryption enforcement.

---

## Enforcing SNMPv3 Message Encryption Globally

Alternatively, you can enforce the SNMPv3 message encryption globally on all the users using the following commands:

### Procedure

---

- Step 1** switch# **configure terminal**  
Enters configuration mode.
- Step 2** switch(config)# **snmp-server globalEnforcePriv**  
Enforces the SNMPv3 message encryption for all the users on the switch.
- Step 3** switch(config)# **no snmp-server globalEnforcePriv**  
Disables global SNMPv3 message encryption enforcement.
- 

## Assigning SNMPv3 Users to Multiple Roles

The SNMP server user configuration is enhanced to accommodate multiple roles (groups) for SNMPv3 users. After the initial SNMPv3 user creation, you can map additional roles for the user.



---

**Note** Only users belonging to a network-admin role can assign roles to other users.

---

To configure multiple roles for SNMPv3 users from the CLI, follow these steps:

### Procedure

---

- Step 1** switch# **configure terminal**  
Enters configuration mode.
- Step 2** switch(config)# **snmp-server user NewUser role1**  
Creates or modifies the settings for an SNMPv3 user (NewUser) for the role1 role.
- Step 3** switch(config)# **snmp-server user NewUser role2**  
Creates or modifies the settings for an SNMPv3 user (NewUser) for the role2 role.
- Step 4** switch(config)# **no snmp-server user User5 role2**

Removes role2 for the specified user (User5).

---

## Adding Communities

You can configure read-only or read-write access for SNMPv1 and SNMPv2 users. Refer to RFC 2576.

To create an SNMPv1 or SNMPv2c community, follow these steps:

### Procedure

---

- Step 1**    `switch# configure terminal`  
Enters configuration mode.
- Step 2**    `switch(config)# snmp-server community snmp_Community ro`  
Adds read-only access for the specified SNMP community.
- Step 3**    `switch(config)# snmp-server community snmp_Community rw`  
Adds read-write access for the specified SNMP community.
- Step 4**    `switch(config)# no snmp-server community snmp_Community`  
Deletes access for the specified SNMP community (default).
- 

## Configuring SNMP Trap and Inform Notifications

You can configure the Cisco MDS switch to send notifications to SNMP managers when particular events occur.



**Note** Switches can forward events (SNMP traps and informs) up to 10 destinations. When you try to configure the eleventh target host for SNMP, the following message is displayed:

---

```
switch(config)# snmp-server host 10.4.200.173 traps version 2c noauth
reached maximum allowed targets limit
```

- You must enable the RMON traps in the SNMP configuration. For more information, refer to [Configuring RMON, on page 179](#).
- Use the SNMP-TARGET-MIB to obtain more information on the destinations to which notifications are to be sent either as traps or as informs. Refer to the Cisco MDS 9000 Family MIB Quick Reference.



**Tip** The SNMPv1 option is not available with the `snmp-server host p-address informs` command.

---

## Configuring SNMPv2c Notifications

### Configuring SNMPv2c Notifications using IPv4

To configure SNMPv2c notifications using IPv4, follow these steps:

#### Procedure

---

- Step 1** switch# **configure terminal**  
Enters configuration mode.
- Step 2** switch(config)# **snmp-server host 171.71.187.101 traps version 2c private udp-port 1163**  
Configures the specified host to receive SNMPv2c traps using SNMPv2c community string (private).
- Step 3** switch(config)# **no snmp-server host 171.71.187.101 traps version 2c private udp-port 2162**  
Prevents the specified host from receiving SNMPv2c traps on the configured UDP port using SNMPv2c community string (private).
- Step 4** switch(config)# **snmp-server host 171.71.187.101 informs version 2c private udp-port 1163**  
Configures the specified host to receive SNMPv2c informs using SNMPv2c community string (private).
- Step 5** switch(config)# **no snmp-server host 171.71.187.101 informs version 2c private udp-port 2162**  
Prevents the specified host from receiving SNMPv2c informs on the configured UDP port using SNMPv2c community string (private).
- 

### Configuring SNMPv2c Notifications using IPv6

To configure SNMPv2c notifications using IPv6, follow these steps:

#### Procedure

---

- Step 1** switch# **configure terminal**  
Enters configuration mode.
- Step 2** switch(config)# **snmp-server host 2001:0DB8:800:200C::417A traps version 2c private udp-port 1163**  
Configures the specified host to receive SNMPv2c traps using SNMPv2c community string (private).
- Step 3** switch(config)# **no snmp-server host 2001:0DB8:800:200C::417A traps version 2c private udp-port 2162**  
Prevents the specified host from receiving SNMPv2c traps on the configured UDP port using SNMPv2c community string (private).
- Step 4** switch(config)# **snmp-server host 2001:0DB8:800:200C::417A informs version 2c private udp-port 1163**  
Configures the specified host to receive SNMPv2c informs using SNMPv2c community string (private).

**Step 5** switch(config)# **no snmp-server host 2001:0DB8:800:200C::417A informs version 2c private udp-port 2162**

Prevents the specified host from receiving SNMPv2c informs on the configured UDP port using SNMPv2c community string (private).

---

## Configuring SNMPv2c Notifications using DNS Name

To configure SNMPv2c notifications using the DNS Name of the SNMP notification host myhost.cisco.com, follow these steps:

### Procedure

---

**Step 1** switch# **configure terminal**

Enters configuration mode.

**Step 2** switch(config)# **snmp-server host myhost.cisco.com traps version 2c private udp-port 1163**

Configures the specified host to receive SNMPv2c traps using SNMPv2c community string (private).

**Step 3** switch(config)# **no snmp-server host myhost.cisco.com traps version 2c private udp-port 2162**

Prevents the specified host from receiving SNMPv2c traps on the configured UDP port using SNMPv2c community string (private).

**Step 4** switch(config)# **snmp-server host myhost.cisco.com informs version 2c private udp-port 1163**

Configures the specified host to receive SNMPv2c informs using SNMPv2c community string (private).

**Step 5** switch(config)# **no snmp-server host myhost.cisco.com informs version 2c private udp-port 2162**

Prevents the specified host from receiving SNMPv2c informs on the configured UDP port using SNMPv2c community string (private).

**Note** Switches can forward events (SNMP traps and informs) up to 10 destinations.

---

## Configuring SNMPv3 Notifications

### Configuring SNMPv3 Notifications using IPv4

To configure SNMPv3 notifications using IPv4, follow these steps:

### Procedure

---

**Step 1** switch# **configure terminal**

Enters configuration mode.

- Step 2**      `switch(config)# snmp-server host 16.20.11.14 traps version 3 noauth testuser udp-port 1163`  
Configures the specified host to receive SNMPv3 traps using SNMPv3 user (testuser) and securityLevel of noAuthNoPriv.
- Step 3**      `switch(config)# snmp-server host 16.20.11.14 informs version 3 auth testuser udp-port 1163`  
Configures the specified host to receive SNMPv3 informs using SNMPv3 user (testuser) and securityLevel of AuthNoPriv.
- Step 4**      `switch(config)# snmp-server host 16.20.11.14 informs version 3 priv testuser udp-port 1163`  
Configures the specified host to receive SNMPv3 informs using SNMPv3 user (testuser) and securityLevel of AuthPriv.
- Step 5**      `switch(config)# no snmp-server host 172.18.2.247 informs version 3 testuser noauth udp-port 2162`  
Prevents the specified host from receiving SNMPv3 informs.
- 

## Configuring SNMPv3 Notifications using IPv6

To configure SNMPv3 notifications using IPv6, follow these steps:

### Procedure

---

- Step 1**      `switch# configure terminal`  
Enters configuration mode.
- Step 2**      `switch(config)# snmp-server host 2001:0DB8:800:200C::417A traps version 3 noauth testuser udp-port 1163`  
Configures the specified host to receive SNMPv3 traps using SNMPv3 user (testuser) and securityLevel of noAuthNoPriv.
- Step 3**      `switch(config)# snmp-server host 2001:0DB8:800:200C::417A informs version 3 auth testuser udp-port 1163`  
Configures the specified host to receive SNMPv3 informs using SNMPv3 user (testuser) and securityLevel of AuthNoPriv.
- Step 4**      `switch(config)# snmp-server host 2001:0DB8:800:200C::417A informs version 3 priv testuser udp-port 1163`  
Configures the specified host to receive SNMPv3 informs using SNMPv3 user (testuser) and securityLevel of AuthPriv.
- Step 5**      `switch(config)# no snmp-server host 2001:0DB8:800:200C::417A informs version 3 testuser noauth udp-port 2162`  
Prevents the specified host from receiving SNMPv3 informs.
-

## Configuring SNMPv3 Notifications using DNS Name

To configure SNMPv3 notifications using the DNS Name of the SNMP notification host myhost.cisco.com, follow these steps:

### Procedure

---

- Step 1** switch# **configure terminal**  
Enters configuration mode.
- Step 2** switch(config)# **snmp-server host myhost.cisco.com traps version 3 noauth testuser udp-port 1163**  
Configures the specified host to receive SNMPv3 traps using SNMPv3 user (testuser) and securityLevel of noAuthNoPriv.
- Step 3** switch(config)# **snmp-server host myhost.cisco.com informs version 3 auth testuser udp-port 1163**  
Configures the specified host to receive SNMPv3 informs using SNMPv3 user (testuser) and securityLevel of AuthNoPriv.
- Step 4** switch(config)# **snmp-server host myhost.cisco.com informs version 3 priv testuser udp-port 1163**  
Configures the specified host to receive SNMPv3 informs using SNMPv3 user (testuser) and securityLevel of AuthPriv.
- Step 5** switch(config)# **no snmp-server host myhost.cisco.com informs version 3 testuser noauth udp-port 2162**  
Prevents the specified host from receiving SNMPv3 informs.
- 

## Authenticating SNMPv3 Users Based on Location

You can authenticate local or remote SNMPv3 users based on their location.

Use the following command in global configuration mode to enable AAA exclusive behavior in SNMPv3 servers:

| Command                                          | Purpose                                                                                                                                                                                                                                                                                                                                                                                                                                                                                                                                                                                                                                                                                                                                                                                                                                                                                                                                                              |
|--------------------------------------------------|----------------------------------------------------------------------------------------------------------------------------------------------------------------------------------------------------------------------------------------------------------------------------------------------------------------------------------------------------------------------------------------------------------------------------------------------------------------------------------------------------------------------------------------------------------------------------------------------------------------------------------------------------------------------------------------------------------------------------------------------------------------------------------------------------------------------------------------------------------------------------------------------------------------------------------------------------------------------|
| <b>snmp-server aaa exclusive-behavior enable</b> | <p>Enables the AAA exclusive behavior in SNMPv3 servers to authenticate users based on location.</p> <p>Depending on the location of the user and whether the AAA server is enabled, the exclusive behavior is as follows:</p> <ul style="list-style-type: none"> <li>• If the user is a local user and the AAA server is enabled, queries for the user will fail with an “Unknown user” message.</li> <li>• If the user is a remote AAA user and the AAA server is disabled, queries for the user will fail with an “Unknown user” message.</li> <li>• If the user is both a local user and a remote AAA user and the AAA server is enabled, the queries with remote credentials will succeed, and queries with local credentials will fail with an “Incorrect password” message. If the AAA server is disabled, queries with local remote credentials will succeed, and queries with remote credentials will fail with an “Incorrect password” message.</li> </ul> |

## Enabling SNMP Notifications

Table 37: [Enabling SNMP Notifications](#), on page 240 lists the CLI commands that enable the notifications for Cisco NX-OS MIBs.

**Table 37: Enabling SNMP Notifications**

| MIB                          | DCNM-SAN Check Boxes                                            |
|------------------------------|-----------------------------------------------------------------|
| CISCO-ENTITY-FRU-CONTROL-MIB | Click the <b>Other</b> tab and check <b>FRU Changes</b> .       |
| CISCO-FCC-MIB                | Click the <b>Other</b> tab and check <b>FCC</b> .               |
| CISCO-DM-MIB                 | Click the <b>FC</b> tab and check <b>Domain Mgr RCF</b> .       |
| CISCO-NS-MIB                 | Click the <b>FC</b> tab and check <b>Name Server</b> .          |
| CISCO-FCS-MIB                | Click the <b>Other</b> tab and check <b>FCS Rejects</b> .       |
| CISCO-FDMI-MIB               | Click the <b>Other</b> tab and check <b>FDMI</b> .              |
| CISCO-FSPF-MIB               | Click the <b>FC</b> tab and check <b>FSPF Neighbor Change</b> . |
| CISCO-LICENSE-MGR-MIB        | Click the <b>Other</b> tab and check <b>License Manager</b> .   |
| CISCO-IPSEC-SIGNALING-MIB    | Click the <b>Other</b> tab and check <b>IPSEC</b> .             |



| MIB                           | DCNM-SAN Check Boxes                                                                                                                                                                  |
|-------------------------------|---------------------------------------------------------------------------------------------------------------------------------------------------------------------------------------|
| CISCO-PSM-MIB                 | Click the <b>Other</b> tab and check <b>Port Security</b> .                                                                                                                           |
| CISCO-RSCN-MIB                | Click the <b>FC</b> tab and check <b>RSCN ILS</b> , and <b>RCSN ELS</b> .                                                                                                             |
| SNMPv2-MIB                    | Click the <b>Other</b> tab and check <b>SNMP AuthFailure</b> .                                                                                                                        |
| VRRP-MIB, CISCO-IETF-VRRP-MIB | Click the <b>Other</b> tab and check <b>VRRP</b> .                                                                                                                                    |
| CISCO-ZS-MIB                  | Click the <b>FC</b> tab and check <b>Zone Rejects</b> , <b>Zone Merge Failures</b> , <b>Zone Merge Successes</b> , <b>Zone Default Policy Change</b> , and <b>Zone Unsuppd Mode</b> . |

The following notifications are enabled by default:

- entity fru
- license
- link ietf-extended

All other notifications are disabled by default.

You can enable or disable the supported traps at the following levels:

- Switch level—You can use `snmp-server enable traps` command to enable all the traps in the supported MIBs at the switch level.
- Feature level—You can use `snmp-server enable traps` command with the feature name to enable traps at the feature level.

```
switch =>snmp-server enable traps callhome ?
event-notify Callhome External Event Notification
smtp-send-fail SMTP Message Send Fail notification
```

- Individual traps - You can use `snmp-server enable traps` command with the feature name to enable traps at the individual level.

```
switch =>snmp-server enable traps callhome event-notify ?
```



**Note** The `snmp-server enable traps` CLI command enables both traps and informs, depending on how you configured SNMP. See the notifications displayed with the `snmp-server host` CLI command.

To enable individual notifications, follow these steps:

### Procedure

**Step 1** `switch# configure terminal`

Enters configuration mode.

**Step 2** switch(config)# **snmp-server enable traps fcdomain**

Enables the specified SNMP (fcdomain) notification.

**Step 3** switch(config)# **no snmp-server enable traps**

Disables the specified SNMP notification. If a notification name is not specified, all notifications are disabled.

---

## Configuring the Notification Target User

You must configure a notification target user on the switch for sending SNMPv3 inform notifications to the SNMP manager.

For authenticating and decrypting the received INFORM PDU, the SNMP manager should have the same user credentials in its local configuration data store of users.

To configure the notification target user, use the following command:

### Procedure

---

**Step 1** switch# **configure terminal**

Enters configuration mode.

**Step 2** switch(config)# **snmp-server user testusr auth md5 xyub20gh priv xyub20gh engineID 00:00:00:63:00:01:00:a1:ac:15:10:03**

Configures the notification target user with the specified credentials for the SNMP manager with the specified engine ID.

**Step 3** switch(config)# **no snmp-server user testusr auth md5 xyub20gh priv xyub20gh engineID 00:00:00:63:00:01:00:a1:ac:15:10:03**

Removes the notification target user.

The credentials of the notification target user are used for encrypting the SNMPv3 inform notification messages to the configured SNMPmanager (as in the **snmp-server host** command).

---

## Configuring LinkUp/LinkDown Notifications for Switches

To configure the LinkUp/LinkDown notification for a switch using NX-OS Release 4.2(1) and later, follow these steps:

### Procedure

---

**Step 1** switch# **configure terminal**

Enters configuration mode.

**Step 2** switch(config)# **snmp-server enable traps link extended-link**

Enables only IETF extended linkUp notifications.

**Step 3** switch(config)# **snmp-server enable traps link extended-linkDown**

Enables only IETF extended linkDown notifications.

**Step 4** switch(config)# **snmp-server enable traps link cieLinkDown**

Enables Cisco extended link state down notification.

**Step 5** switch(config)# **snmp-server enable traps link cieLinkUp**

Enables Cisco extended link state up notification.

**Step 6** switch(config)# **snmp-server enable traps link connUnitPortStatusChange**

Enables FCMGMT The overall status of the connectivity unit Notification.

**Step 7** switch(config)# **snmp-server enable traps link delayed-link-state-change**

Enables Delayed link state change.

Disable the delayed link state traps to allow the device to generate port down SNMP alerts immediately.

- Use the **no system delayed-traps enable mode FX** command on NX-OS versions 6.2(5) or lower.
- Use the **no snmp-server enable traps link delayed-link-state-change** command on NX-OS version 6.2(7) and above.

**Note** For upgrade between specific NX-OS release versions, ensure that delayed link state traps are disabled. When migrating from an earlier release like 5.(x) or 6.1(x) or 6.2(x) to a release 6.2(7) and above, ensure that you explicitly disable the delayed link state traps using **no snmp-server enable traps link delayed-link-state-change** command.

**Step 8** switch(config)# **snmp-server enable traps link extended-linkDown**

Enables IETF extended link state down notification.

**Step 9** switch(config)# **snmp-server enable traps link extended-linkUp**

Enables IETF extended link state down notification.

**Step 10** switch(config)# **snmp-server enable traps link fcTrunkIfDownNotify**

Enables FCFE Link state down notification.

**Step 11** switch(config)# **snmp-server enable traps link fcTrunkIfUpNotify**

Enables FCFE Link state up notification.

**Step 12** switch(config)# **snmp-server enable traps link fcot-inserted**

Enables FCOT info trap.

**Step 13** switch(config)# **snmp-server enable traps link fcot-removed**

Enables FCOT info trap.

**Step 14** switch(config)# **snmp-server enable traps link linkDown**

Enables IETF Link state down notification.

**Step 15** switch(config)# **snmp-server enable traps link linkUp**

Enables IETF Link state up notification.

**Step 16** switch(config)# **no snmp-server enable traps link**

Reverts to the default setting (IETF extended).

---

## Configuring Up/Down SNMP Link-State Traps for Interfaces

By default, SNMP link-state traps are enabled for all interfaces. Whenever a link toggles its state from Up to Down or vice versa, an SNMP trap is generated.

In some instances, you may find that you have numerous switches with hundreds of interfaces, many of which do not require monitoring of the link state. In such cases, you may elect to disable link-state traps.

To disable SNMP link-state traps for specific interfaces, follow these steps:

### Procedure

---

**Step 1** switch# **configure terminal**

Enters configuration mode.

**Step 2** switch(config)# **interface fc slot/port**

Specifies the interface on which to disable SNMP link-state traps.

**Step 3** switch(config-if)# **no link-state-trap**

Disables SNMP link-state traps for the interface.

**Step 4** switch(config-if)# **link-state-trap**

Enables SNMP link-state traps for the interface.

---

## Configuring Entity (FRU) Traps

To enable individual SNMP trap control, follow these steps:

### Procedure

---

**Step 1** switch# **configure terminal**

Enters configuration mode.

**Step 2** switch(config)# **snmp-server enable traps entity**

Enables individual SNMP trap control.

**Step 3** `switch(config)# snmp-server enable entity_fan_status_change`

Enables entity fan status change.

**Step 4** `switch(config)# snmp-server enable entity_mib_change`

Enables entity MIB change.

**Step 5** `switch(config)# snmp-server enable entity_module_inserted`

Enables entity module to be inserted.

**Step 6** `switch(config)# snmp-server enable entity_module_removed`

Enables entity module to be removed.

**Step 7** `switch(config)# snmp-server enable entity_module_status_change`

Enables entity module status change.

**Step 8** `switch(config)# snmp-server enable entity_power_out_change`

Enables entity power out change.

**Step 9** `switch(config)# snmp-server enable entity_power_status_change`

Enables entity power status change.

**Step 10** `switch(config)# snmp-server enable entity_unrecognised_module`

Enables entity unrecognized module.

**Note** All these traps have to do with legacy FRU traps.

## Modifying the AAA Synchronization Time

You can modify how long Cisco NX-OS holds the synchronized user configuration.

### Procedure

|               | Command or Action                                                                                                                                 | Purpose                                                                                                                                           |
|---------------|---------------------------------------------------------------------------------------------------------------------------------------------------|---------------------------------------------------------------------------------------------------------------------------------------------------|
| <b>Step 1</b> | <b>configure terminal</b><br><b>Example:</b><br><pre>switch# configure terminal switch(config)#</pre>                                             | Enters global configuration mode.                                                                                                                 |
| <b>Step 2</b> | <b>snmp-server aaa-user cache-timeout <i>seconds</i></b><br><b>Example:</b><br><pre>switch(config)# snmp-server aaa-user cache-timeout 1200</pre> | Configures how long the AAA synchronized user configuration stays in the local cache. The range is from 1 to 86400 seconds. The default is 60000. |

|               | Command or Action                                                                                                                    | Purpose                                                        |
|---------------|--------------------------------------------------------------------------------------------------------------------------------------|----------------------------------------------------------------|
| <b>Step 3</b> | (Optional) <b>copy running-config startup-config</b><br><br><b>Example:</b><br>switch(config)# copy running-config<br>startup-config | Copies the running configuration to the startup configuration. |

## Verifying SNMP Configuration

To display the SNMP configuration information, perform one of the following tasks:

| Command                    | Purpose                                                                                                    |
|----------------------------|------------------------------------------------------------------------------------------------------------|
| <b>show running-config</b> | Displays the running configuration                                                                         |
| <b>show interface</b>      | Displays the SNMP link-state trap configuration for a particular interface                                 |
| <b>show snmp trap</b>      | Displays all the notifications and their status                                                            |
| <b>show snmp</b>           | Displays configured SNMP information, counter information for SNMP contact, location, and packet settings. |

For detailed information about the fields in the output from these commands, refer to the *Cisco MDS 9000 Family Command Reference*.

## Viewing the Up/Down SNMP Link-State Traps for Interfaces

Whenever you disable an SNMP link-state trap for an interface, the command is also added to the running configuration of the system.

To view the running configuration, use the **show running-config** command for the interface.

```
switch# no link-state-trap
switch# show running-config interface fc2/25

!Command: show running-config interface fc2/25
!Running configuration last done at: Fri Sep 20 11:28:19 2019
!Time: Fri Sep 20 11:28:22 2019

version 8.4(1)

interface fc2/25
 no link-state-trap
 no shutdown
```

To view the SNMP link-state trap configuration for a particular interface, enter the **show interface** command.

```
switch# show interface fc2/25

fc2/25 is trunking
 Hardware is Fibre Channel, SFP is long wave laser cost reduced
 Port WWN is 20:59:54:7f:ee:ea:c0:00
 Peer port WWN is 20:1d:00:de:fb:b1:7b:80
```

```

Admin port mode is auto, trunk mode is on
snmp link state traps are enabled
Port mode is TE
Port vsan is 1
Admin Speed is auto max 32 Gbps
Operating Speed is 32 Gbps
Rate mode is dedicated
Port flow-control is ER_RDY
.
.
.

```

## Displaying SNMP Traps

You can use the **show snmp trap** command to display all the notifications and their status.

```
switch# show snmp trap
```

```

Trap type Enabled

entity : entity_mib_change Yes
entity : entity_module_status_change Yes
entity : entity_power_status_change Yes
entity : entity_module_inserted Yes
entity : entity_module_removed Yes
entity : entity_unrecognised_module Yes
entity : entity_fan_status_change Yes
entity : entity_power_out_change Yes
link : linkDown Yes
link : linkUp Yes
link : extended-linkDown Yes
link : extended-linkUp Yes
link : cieLinkDown Yes
link : cieLinkUp Yes
link : connUnitPortStatusChange Yes
link : fcTrunkIfUpNotify Yes
link : fcTrunkIfDownNotify Yes
link : delayed-link-state-change Yes
link : fcot-inserted Yes
link : fcot-removed Yes
callhome : event-notify No
callhome : smtp-send-fail No
cfs : state-change-notif No
cfs : merge-failure No
fcdomain : dmNewPrincipalSwitchNotify No
fcdomain : dmDomainIdNotAssignedNotify No
fcdomain : dmFabricChangeNotify No
rf : redundancy_framework Yes
aaa : server-state-change No
license : notify-license-expiry Yes
license : notify-no-license-for-feature Yes
license : notify-licensefile-missing Yes
license : notify-license-expiry-warning Yes
scsi : scsi-disc-complete No
fcns : reject-reg-req No
fcns : local-entry-change No
fcns : db-full No
fcns : remote-entry-change No
rscn : rscnElsRejectReqNotify No
rscn : rscnIlsRejectReqNotify No
rscn : rscnElsRxRejectReqNotify No
rscn : rscnIlsRxRejectReqNotify No

```

```

fcs : request-reject No
fcs : discovery-complete No
fctrace : route No
zone : request-reject1 No
zone : merge-success No
zone : merge-failure No
zone : default-zone-behavior-change No
zone : unsupp-mem No
port-security : fport-violation No
port-security : eport-violation No
port-security : fabric-binding-violation No
vni : virtual-interface-created No
vni : virtual-interface-removed No
vsan : vsanStatusChange No
vsan : vsanPortMembershipChange No
fspf : fspfNbrStateChangeNotify No
upgrade : UpgradeOpNotifyOnCompletion No
upgrade : UpgradeJobStatusNotify No
feature-control : FeatureOpStatusChange No
vrrp : cVrrpNotificationNewMaster No
fdmi : cfdmiRejectRegNotify No
snmp : authentication No

```

## Displaying SNMP Security Information

Use the **show snmp** commands to display configured SNMP information (see the following examples):

### SNMP User Details

The following example SNMP user details:

```

switch# show snmp user

```

| SNMP USERS |      |               |                    |
|------------|------|---------------|--------------------|
| User       | Auth | Priv(enforce) | Groups             |
| admin      | md5  | des(no)       | network-admin      |
| testusr    | md5  | aes-128(no)   | role111<br>role222 |

```

NOTIFICATION TARGET USERS (configured for sending V3 Inform)

```

| User          | Auth | Priv |
|---------------|------|------|
| testtargetusr | md5  | des  |

```

(EngineID 0:0:0:63:0:1:0:0:0:15:10:3)

```

### SNMP Community Information

The following example displays SNMP community information:

```

switch# show snmp community

```

| Community | Group / Access | context |
|-----------|----------------|---------|
| dcnm_user | network-admin  |         |
| admin     | network-admin  |         |



### SNMP Host Information

The following example displays SNMP host information:

```
switch# show snmp host
Host Port Version Level Type SecName

171.16.126.34 2162 v2c noauth trap public
171.16.75.106 2162 v2c noauth trap public
...
171.31.58.97 2162 v2c auth trap public
...
```

The **show snmp** command displays counter information for SNMP contact, location, and packet settings. This command provides information that is used entirely by the Cisco MDS 9000 Family DCNM-SAN (refer to the System Management Configuration Guide, Cisco DCNM for SAN). See the following example:

### SNMP Information

The following example displays SNMP information:

```
switch# show snmp
sys contact:
sys location:
1631 SNMP packets input
 0 Bad SNMP versions
 0 Unknown community name
 0 Illegal operation for community name supplied
 0 Encoding errors
 64294 Number of requested variables
 1 Number of altered variables
 1628 Get-request PDUs
 0 Get-next PDUs
 1 Set-request PDUs
152725 SNMP packets output
 0 Too big errors
 1 No such name errors
 0 Bad values errors
 0 General errors

Community Group / Access

public rw

SNMP USERS

User Auth Priv(enforce) Groups

admin md5 des(no) network-admin
testusr md5 aes-128(no) role111
 role222

NOTIFICATION TARGET USERS (configured for sending V3 Inform)

User Auth Priv

testtargetusr md5 des
(EngineID 0:0:0:63:0:1:0:0:0:15:10:3)
```

### Displays SNMP Engine IDs

The following example displays SNMP engine IDs:

```
switch# show snmp engineID
Local SNMP engineID: [Hex] 8000000903000DEC2CF180
 [Dec] 128:000:000:009:003:000:013:236:044:241:128
```

### Information on SNMP Security Groups

The following example displays information on SNMP Security groups:

```
switch# show snmp group
groupname: network-admin
security model: any
security level: noAuthNoPriv
readview: network-admin-rd
writeview: network-admin-wr
notifyview: network-admin-rd
storage-type: permanent
row status: active
groupname: network-admin
security model: any
security level: authNoPriv
readview: network-admin-rd
writeview: network-admin-wr
notifyview: network-admin-rd
storage-type: permanent
row status: active
groupname: network-operator
security model: any
security level: noAuthNoPriv
readview: network-operator-rd
writeview: network-operator-wr
notifyview: network-operator-rd
storage-type: permanent
row status: active
groupname: network-operator
security model: any
security level: authNoPriv
readview: network-operator-rd
writeview: network-operator-wr
notifyview: network-operator-rd
storage-type: permanent
row status: active
```

## Additional References

For additional information related to implementing SNMP, see the following sections:

**MIBs**

| <b>MIBs</b>                                                                                                   | <b>MIBs Link</b>                                                                                                                                                                                                                   |
|---------------------------------------------------------------------------------------------------------------|------------------------------------------------------------------------------------------------------------------------------------------------------------------------------------------------------------------------------------|
| <ul style="list-style-type: none"><li>• CISCO-SNMP-TARGET-EXT-MIB</li><li>• CISCO-SNMP-VACM-EXT-MIB</li></ul> | To locate and download MIBs, go to the following URL:<br><a href="http://www.cisco.com/en/US/products/ps5989/prod_technical_reference_list.html">http://www.cisco.com/en/US/products/ps5989/prod_technical_reference_list.html</a> |





## CHAPTER 14

# Configuring Domain Parameters

The Fibre Channel domain (fcdomain) feature performs principal switch selection, domain ID distribution, FC ID allocation, and fabric reconfiguration functions as described in the FC-SW-2 standards.

- [Information About Fibre Channel Domains, on page 253](#)
- [Guidelines and Limitations, on page 262](#)
- [Default Settings, on page 262](#)
- [Configuring Fibre Channel Domains, on page 263](#)
- [Configuring Domain IDs, on page 267](#)
- [Configuring FC IDs, on page 271](#)
- [Verifying FC Domain Configuration, on page 275](#)

## Information About Fibre Channel Domains

The Fibre Channel domain (fcdomain) feature performs principal switch selection, domain ID distribution, FC ID allocation, and fabric reconfiguration functions as described in the FC-SW-2 standards. The domains are configured on a per VSAN basis. If you do not configure a domain ID, the local switch uses a random ID.

This section describes each fcdomain phase:

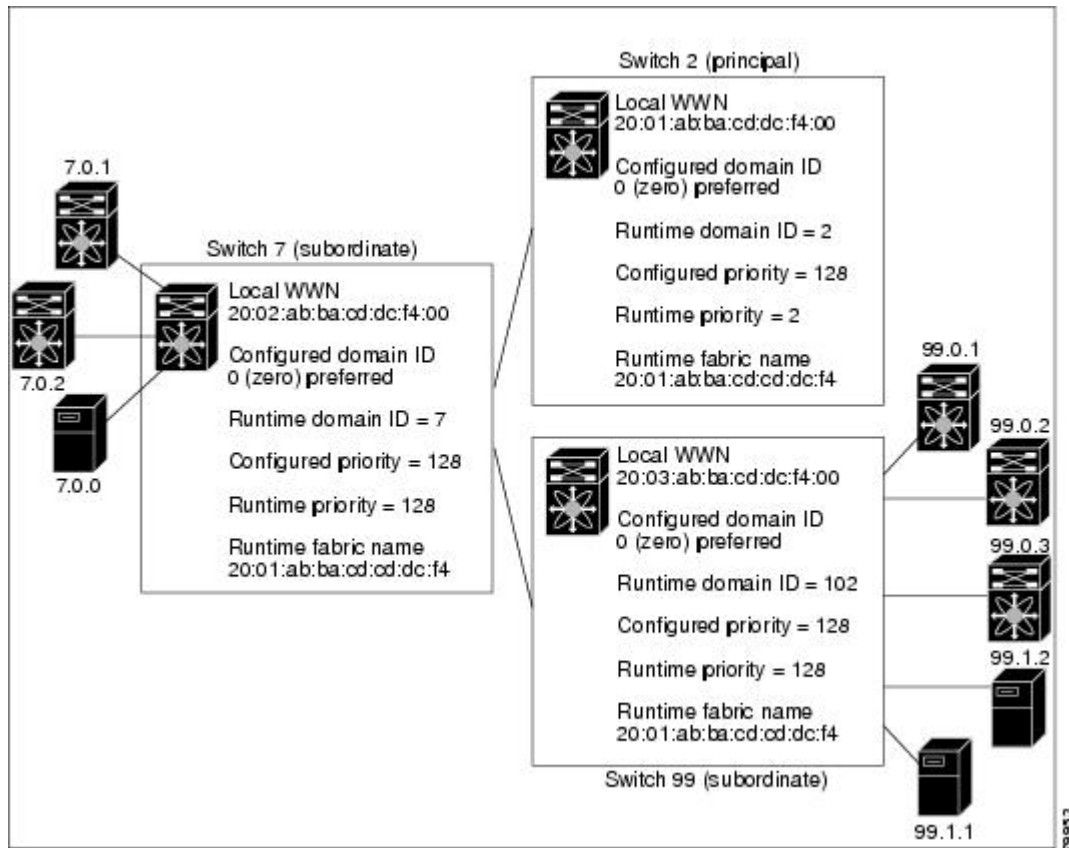
- **Principal switch selection**—This phase guarantees the selection of a unique principal switch across the fabric.
- **Domain ID distribution**—This phase guarantees each switch in the fabric obtains a unique domain ID.
- **FC ID allocation**—This phase guarantees a unique FC ID assignment to each device attached to the corresponding switch in the fabric.
- **Fabric reconfiguration**—This phase guarantees a resynchronization of all switches in the fabric to ensure they simultaneously restart a new principal switch selection phase.



**Caution** Changes to fcdomain parameters should not be performed on a daily basis. These changes should be made by an administrator or individual who is completely familiar with switch operations.

[Figure 11: Sample fcdomain Configuration, on page 254](#) shows a sample fcdomain configuration.

Figure 11: Sample fcdomain Configuration



## Domain Restart

Fibre Channel domains can be started disruptively or nondisruptively. If you perform a disruptive restart, reconfigure fabric (RCF) frames are sent to other switches in the fabric and data traffic is disrupted on all the switches in the VSAN (including remotely segmented ISLs). If you perform a nondisruptive restart, build fabric (BF) frames are sent to other switches in the fabric and data traffic is disrupted only on the switch.

If you are attempting to resolve a domain ID conflict, you must manually assign domain IDs. A disruptive restart is required to apply most configuration changes, including manually assigned domain IDs. Nondisruptive domain restarts are acceptable only when changing a preferred domain ID into a static one (and the actual domain ID remains the same).



**Note** It is not recommended to use disruptive restart followed by VSAN suspend/no-suspend, since it is used only for recovery purpose when normal restart does not solve the problem.



---

**Note** A static domain is specifically configured by the user and may be different from the runtime domain. If the domain IDs are different, the runtime domain ID changes to take on the static domain ID after the next restart, either disruptive or nondisruptive.

---



---

**Tip** If a VSAN is in interop mode, you cannot restart the fcdomain for that VSAN disruptively.

---

You can apply most of the configurations to their corresponding runtime values. Each of the following sections provide further details on how the fcdomain parameters are applied to the runtime values.

The **fcdomain restart** command applies your changes to the runtime settings. Use the **disruptive** option to apply most of the configurations to their corresponding runtime values, including preferred domain IDs (see the [Domain IDs, on page 257](#)).

## Domain Manager All Optimization

Domain Manager All Optimization feature can be used to enable or disable all of the optimization modes.



---

**Note** You cannot enable all the optimizations such as Selective Restart, Fast Restart, and Scale Restart in VSANs where Interop mode is enabled (non-native modes). Also you cannot move a VSAN where the optimizations are enabled into Interop mode 1 to 4.

---

## Domain Manager Fast Restart

As of Cisco MDS SAN-OS Release 3.0(2), when a principal link fails, the domain manager must select a new principal link. By default, the domain manager starts a build fabric phase, followed by a principal switch selection phase. Both of these phases involve all the switches in the VSAN and together take at least 15 seconds to complete. To reduce the time required for the domain manager to select a new principal link, you can enable the domain manager fast restart feature.

When fast restart is enabled and a backup link is available, the domain manager needs only a few milliseconds to select a new principal link to replace the one that failed. Also, the reconfiguration required to select the new principal link only affects the two switches that are directly attached to the failed link, not the entire VSAN. When a backup link is not available, the domain manager reverts to the default behavior and starts a build fabric phase, followed by a principal switch selection phase. We recommend using fast restart on most fabrics, especially those with a large number of logical ports (3200 or more), where a logical port is an instance of a physical port in a VSAN.

## Domain Manager Scale Restart

During fabric reconfiguration, as and when principal switch assigns a domain ID to a switch (including itself), it transmits an Exchange Fabric Parameter (EFP) request. This request basically carries domain list information of the fabric. So whenever domain list grows there will be a Exchange Fabric Parameter flooded to the fabric. With this feature optimization enabled, a single consolidated Exchange Fabric Parameter request will be

flooded by the principal switch once the domain identifier allocation phase is completed. This feature optimization cannot be supported in interop mode.

Scale Restart will be enabled by default in all native VSANs. It will not be enabled in interop VSANs.

## Domain Manager Selective Restart

In the Fibre Channel protocol, fabric reconfiguration starts with build fabric frame flooding, which indicates to all the switches in the fabric that the fabric is changing. This process is followed by principal switch selection and domain ID allocation phases. During the build fabric flooding phase, build fabric frames are flooded on all the links. A switch may have more than one link to a peer switch. In such cases, the build fabric frame can be sent to only one of the links to the peer switch. This situation reduces the number of build fabric frames that are to be exchanged during the build fabric phase of fabric reconfiguration. Enabling this feature optimization, sends the build frame to only one of the peer switch links which benefits scaling.

## Switch Priority

Any new switch can become the principal switch when it joins a stable fabric. During the principal switch selection phase, the switch with the highest priority becomes the principal switch. If two switches have the same configured priority, the switch with the lower WWN becomes the principal switch.

The priority configuration is applied to runtime when the fcdomain is restarted (see the [Domain Restart, on page 254](#)). This configuration is applicable to both disruptive and nondisruptive restarts.

## fcdomain Initiation

By default, the fcdomain feature is enabled on each switch. If you disable the fcdomain feature in a switch, that switch can no longer participate with other switches in the fabric. The fcdomain configuration is applied to runtime through a disruptive restart.

## Incoming RCFs

You can choose to reject RCF request frames on a per-interface, per-VSAN basis. By default, the RCF reject option is disabled (that is, RCF request frames are not automatically rejected).

The RCF reject option takes immediate effect at runtime through a disruptive restart (see the [Domain Restart, on page 254](#)).

You can configure the rcf-reject option on a per-interface, per-VSAN basis. By default, the rcf-reject option is disabled (that is, RCF request frames are not automatically rejected).

The rcf-reject option takes effect immediately. No fcdomain restart is required.

## Autoreconfiguring Merged Fabrics

By default, the autoreconfigure option is disabled. When you join two switches belonging to two different stable fabrics that have overlapping domains, the following cases apply:

- If the autoreconfigure option is enabled on both switches, a disruptive reconfiguration phase is started.
- If the autoreconfigure option is disabled on either or both switches, the links between the two switches become isolated.



- RCF is expected only when auto-reconfigure is enabled in entire fabric.

The autoreconfigure option takes immediate effect at runtime. You do not need to restart the fcdomain. If a domain is currently isolated due to domain overlap, and you later enable the autoreconfigure option on both switches, the fabric continues to be isolated. If you enabled the autoreconfigure option on both switches before connecting the fabric, a disruptive reconfiguration (RCF) will occur. A disruptive reconfiguration may affect data traffic. You can nondisruptively reconfigure the fcdomain by changing the configured domains on the overlapping links and eliminating the domain overlap.

## Domain IDs

Domain IDs uniquely identify a switch in a VSAN. A switch may have different domain IDs in different VSANs. The domain ID is part of the overall FC ID.

The configured domain ID can be preferred or static. By default, the configured domain ID is 0 (zero) and the configured type is preferred.



---

**Note** The 0 (zero) value can be configured only if you use the preferred option.

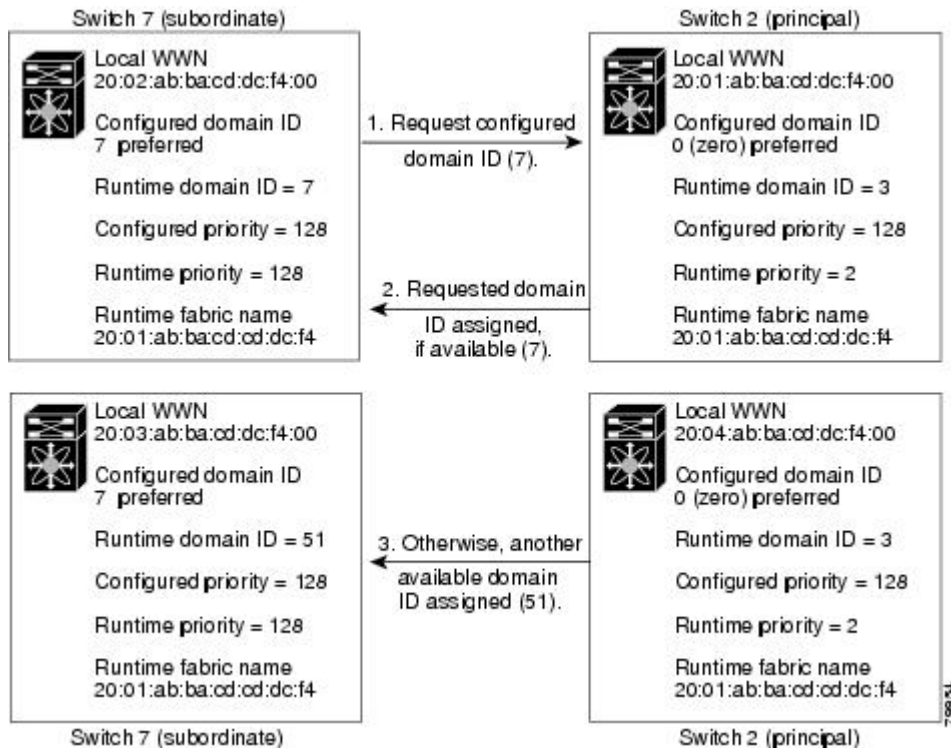
---

If you do not configure a domain ID, the local switch sends a random ID in its request. We recommend that you use static domain IDs.

When a subordinate switch requests a domain, the following process takes place (see [Figure 12: Configuration Process Using the preferred Option, on page 258](#)):

1. The local switch sends a configured domain ID request to the principal switch.
2. The principal switch assigns the requested domain ID if available. Otherwise, it assigns another available domain ID.

Figure 12: Configuration Process Using the preferred Option



The behavior for a subordinate switch changes based on three factors:

- The allowed domain ID lists.
- The configured domain ID.
- The domain ID that the principal switch has assigned to the requesting switch.

In specific situations, the changes are as follows:

- When the received domain ID is not within the allowed list, the requested domain ID becomes the runtime domain ID and all interfaces on that VSAN are isolated.
- When the assigned and requested domain IDs are the same, the preferred and static options are not relevant, and the assigned domain ID becomes the runtime domain ID.
- When the assigned and requested domain IDs are different, the following cases apply:
  - If the configured type is static, the assigned domain ID is discarded, all local interfaces are isolated, and the local switch assigns itself the configured domain ID, which becomes the runtime domain ID.
  - If the configured type is preferred, the local switch accepts the domain ID assigned by the principal switch and the assigned domain ID becomes the runtime domain ID.

If you change the configured domain ID, the change is only accepted if the new domain ID is included in all the allowed domain ID lists currently configured in the VSAN. Alternatively, you can also configure zero-preferred domain ID.



**Tip** When the FICON feature is enabled in a given VSAN, the domain ID for that VSAN remains in the static state. You can change the static ID value but you cannot change it to the preferred option.



**Note** In an IVR without NAT configuration, if one VSAN in the IVR topology is configured with static domain IDs, then the other VSANs (edge or transit) in the topology should also be configured with static domain IDs. In an IVR NAT configuration, if one VSAN in the IVR topology is configured with static domain IDs, then the IVR domains that can be exported to that VSAN must also be assigned static domains.



**Caution** You must enter the `fcdomain restart` command if you want to apply the configured domain changes to the runtime domain.



**Caution** You must restart the `fcdomain` if you want to apply the configured domain changes to the runtime domain.



**Note** If you have configured an allowed domain ID list, the domain IDs that you add must be in that range for the VSAN. See the [Configuring Allowed Domain ID Lists, on page 268](#).

## Specifying Static or Preferred Domain IDs

When you assign a static domain ID type, you are requesting a particular domain ID. If the switch does not get the requested address, it will isolate itself from the fabric. When you specify a preferred domain ID, you are also requesting a particular domain ID; however, if the requested domain ID is unavailable, then the switch will accept another domain ID.

While the static option can be applied at runtime after a disruptive or nondisruptive restart, the preferred option is applied at runtime only after a disruptive restart (see the [Domain Restart, on page 254](#)).

## Allowed Domain ID Lists

By default, the valid range for an assigned domain ID list is from 1 to 239. You can specify a list of ranges to be in the allowed domain ID list and separate each range with a comma. The principal switch assigns domain IDs that are available in the locally configured allowed domain list.

Use allowed domain ID lists to design your VSANs with non-overlapping domain IDs. This helps you in the future if you need to implement IVR without the NAT feature.

## CFS Distribution of Allowed Domain ID Lists

You can enable the distribution of the allowed domain ID lists configuration information to all Cisco MDS switches in the fabric using the Cisco Fabric Services (CFS) infrastructure. This feature allows you to synchronize the configuration across the fabric from the console of a single MDS switch. Since the same

configuration is distributed to the entire VSAN, you avoid possible misconfiguration and the likelihood that two switches in the same VSAN have configured incompatible allowed domains.

Use CFS to distribute the allowed domain ID list to ensure consistency in the allowed domain ID lists on all switches in the VSAN.



---

**Note** We recommend configuring the allow domain ID list and committing it on the principle switch.

---

For more information about CFS, see [Using the CFS Infrastructure, on page 7](#).

## Contiguous Domain ID Assignments

By default, the contiguous domain assignment is disabled. When a subordinate switch requests the principal switch for two or more domains and the domains are not contiguous, the following cases apply:

- If the contiguous domain assignment is enabled in the principal switch, the principal switch locates contiguous domains and assigns them to the subordinate switches. If contiguous domains are not available, the NX-OS software rejects this request.
- If the contiguous domain assignment is disabled in the principal switch, the principal switch assigns the available domains to the subordinate switch.

## Locking the Fabric

The first action that modifies the existing configuration creates the pending configuration and locks the feature in the fabric. Once you lock the fabric, the following conditions apply:

- No other user can make any configuration changes to this feature.
- A pending configuration is created by copying the active configuration. Modifications from this point on are made to the pending configuration and remain there until you commit the changes to the active configuration (and other switches in the fabric) or discard them.

## Committing Changes

To apply the pending domain configuration changes to other MDS switches in the VSAN, you must commit the changes. The pending configuration changes are distributed and, on a successful commit, the configuration changes are applied to the active configuration in the MDS switches throughout the VSAN and the fabric lock is released.

## Clearing a Fabric Lock

If you have performed a domain configuration task and have not released the lock by either committing or discarding the changes, an administrator can release the lock from any switch in the fabric. If the administrator performs this task, your pending changes are discarded and the fabric lock is released.

The pending changes are only available in the volatile directory and are discarded if the switch is restarted.

## FC IDs

When an N or NL port logs into a Cisco MDS 9000 Family switch, it is assigned an FC ID. By default, the persistent FC ID feature is enabled. If this feature is disabled, the following consequences apply:

- An N or NL port logs into a Cisco MDS 9000 Family switch. The WWN of the requesting N or NL port and the assigned FC ID are retained and stored in a volatile cache. The contents of this volatile cache are not saved across reboots.
- The switch is designed to preserve the binding FC ID to the WWN on a best-effort basis. For example, if one N port disconnects from the switch and its FC ID is requested by another device, this request is granted and the WWN with the initial FC ID association is released.
- The volatile cache stores up to 4000 entries of WWN to FC ID binding. If this cache is full, a new (more recent) entry overwrites the oldest entry in the cache. In this case, the corresponding WWN to FC ID association for the oldest entry is lost.
- The switch connection behavior differs between N ports and NL ports:
  - N ports receive the same FC IDs if disconnected and reconnected to any port within the same switch (as long as it belongs to the same VSAN).
  - NL ports receive the same FC IDs only if connected back to the same port on the switch to which they were originally connected.

## Persistent FC IDs

When persistent FC IDs are enabled, the following consequences apply:

- The currently *in use* FC IDs in the fcdomain are saved across reboots.
- The fcdomain automatically populates the database with dynamic entries that the switch has learned about after a device (host or disk) is plugged into a port interface.

## Persistent FC ID Configuration

When the persistent FC ID feature is enabled, you can enter the persistent FC ID submode and add static or dynamic entries in the FC ID database. By default, all added entries are static. Persistent FC IDs are configured on a per-VSAN basis. Follow these requirements to manually configure a persistent FC ID:

- Ensure that the persistent FC ID feature is enabled in the required VSAN.
- Ensure that the required VSAN is an active VSAN—persistent FC IDs can only be configured on active VSANs.
- Verify that the domain part of the FC ID is the same as the runtime domain ID in the required VSAN. If the software detects a domain mismatch, the command is rejected.
- Verify that the port field of the FC ID is 0 (zero) when configuring an area.



---

**Note** FICON uses a different scheme for allocating FC IDs based in the front panel port number. This scheme takes precedence over FC ID persistence in FICON VSANs.

---

## About Unique Area FC IDs for HBAs



**Note** Read this section only if the HBA port and the storage port are connected to the same switch.

Some HBA ports require a different area ID than storage ports when they are both connected to the same switch. For example, if the storage port FC ID is 0x6f7704, the area for this port is 77. In this case, the HBA port's area can be anything other than 77. The HBA port's FC ID must be manually configured to be different from the storage port's FC ID.

Switches in the Cisco MDS 9000 Family facilitate this requirement with the FC ID persistence feature. You can use this feature to preassign an FC ID with a different area to either the storage port or the HBA port.

## Persistent FC ID Selective Purging

Persistent FC IDs can be purged selectively. Static entries and FC IDs currently in use cannot be deleted. [Table 38: Purged FC IDs](#), on page 262 identifies the FC ID entries that are deleted or retained when persistent FC IDs are purged.

*Table 38: Purged FC IDs*

| Persistent FC ID state | Persistent Usage State | Action      |
|------------------------|------------------------|-------------|
| Static                 | In use                 | Not deleted |
| Static                 | Not in use             | Not deleted |
| Dynamic                | In use                 | Not deleted |
| Dynamic                | Not in use             | Deleted     |

## Guidelines and Limitations

- When you change the configuration, be sure to save the running configuration. The next time you reboot the switch, the saved configuration is used. If you do not save the configuration, the previously saved startup configuration is used.
- Domain IDs and VSAN values used in all procedures are only provided as examples. Be sure to use IDs and values that apply to your configuration.

## Default Settings

[Table 39: Default FC domain Parameters](#), on page 262 lists the default settings for all the FC domain parameters.

*Table 39: Default FC domain Parameters*

| Parameters       | Default  |
|------------------|----------|
| fcdomain feature | Enabled. |

| Parameters                                        | Default                  |
|---------------------------------------------------|--------------------------|
| Configured domain_ID                              | 0 (zero).                |
| Configured domain                                 | Preferred.               |
| <b>auto-reconfigure</b> option                    | Disabled.                |
| <b>contiguous-allocation</b> option               | Disabled.                |
| Priority                                          | 128.                     |
| Allowed list                                      | 1-239.                   |
| Fabric name                                       | 20:01:00:05:30:00:28:df. |
| <b>rcf-reject</b>                                 | Disabled.                |
| Persistent FC ID                                  | Enabled.                 |
| Allowed domain_ID list configuration distribution | Disabled.                |

## Configuring Fibre Channel Domains

This section describes the fcdomain feature.

### Restarting a Domain

Domain Configuration Scenarios:

#### Switch Configuration

Irrespective of how the switches in VSAN 6 are configured, fcdomain restart disruptive vsan 6 causes all devices of all switches in VSAN 6 to log out, causing data traffic disruption.

#### Configured domain and the runtime domain are the same

Assuming that the configured domain and the runtime domain are the same on all switches, fcdomain restart vsan 6 does not cause any devices in VSAN 6 to log out.

#### Configured domain and runtime domain are not the same

Assuming that on some switches in VSAN 6 the configured domain and the runtime domain are not the same, fcdomain restart vsan 6 causes the devices in VSAN 6 attached to the switches whose statically configured and runtime domain differ to log out, causing data traffic disruption.

To restart the fabric disruptively or nondisruptively, follow these steps:

#### Procedure

- 
- Step 1**    switch# **configure terminal**  
Enters configuration mode.

**Step 2** switch(config)# **fcdomain restart vsan 1**

Is nondisruptive of data traffic over the entire network, but it can be disruptive on a switch if its configured domain is static and numerically not the same as its runtime domain (For example, the configured domain is 11 static and the runtime domain is 99).

**Step 3** switch(config)# **fcdomain restart disruptive vsan1**

Disrupts data traffic across all switches in the VSAN.

---

## Enabling Domain Manager All Optimization

To enable the Domain Manager All Optimization feature, follow these steps:

### Procedure

---

**Step 1** switch# **configure terminal**

Enters configuration mode.

**Step 2** switch(config)# **fcdomain optimize all vsan 3**

Enables all domain manager optimization (selective-restart, fast-restart, scale-restart) on VSAN 3.

**Step 3** switch(config)# **fcdomain optimize all vsan 7 - 10**

Enables domain manager all optimization on the range of VSANs from VSAN 7 to VSAN 10.

**Step 4** switch(config)# **no fcdomain optimize all vsan 8**

Disables domain manager all optimization on VSAN 8.

---

## Enabling Domain Manager Fast Restart

To enable the domain manager fast restart feature in Cisco SAN-OS Release 3.0(2) or later, or MDS NX-OS Release 4.1(1a) or later, follow these steps:

### Procedure

---

**Step 1** switch# **configure terminal**

Enters configuration mode.

**Step 2** switch(config)# **fcdomain optimize fast-restart vsan 3**

Enables domain manager fast restart on VSAN 3.

**Step 3** switch(config)# **fcdomain optimize fast-restart vsan 7 - 10**



Enables domain manager fast restart on the range of VSANs from VSAN 7 to VSAN 10.

- Step 4**    `switch(config)# no fdomain optimize fast-restart vsan 8`  
Disables (default) domain manager fast restart on VSAN 8.
- 

## Enabling Domain Manager Scale Restart

To enable the domain manager scale restart feature, follow these steps:

### Procedure

---

- Step 1**    `switch# configure terminal`  
Enters configuration mode.
- Step 2**    `switch(config)# fdomain optimize scale-restart vsan 3`  
Enables domain manager scale restart on VSAN 3.
- Step 3**    `switch(config)# fdomain optimize scale-restart vsan 7 - 10`  
Enables (default) domain manager scale restart on the range of VSANs from VSAN 7 to VSAN 10.
- Step 4**    `switch(config)# no fdomain optimize scale-restart vsan 8`  
Disables domain manager scale restart on VSAN 8.
- 

## Enabling Domain Manager Selective Restart

To enable the domain manager selective restart feature in Cisco SAN-OS Release 3.0(2) or later, or MDS NX-OS Release 4.1(1a) or later, follow these steps:

### Procedure

---

- Step 1**    `switch# configure terminal`  
Enters configuration mode.
- Step 2**    `switch(config)# fdomain optimize selective-restart vsan 3`  
Enables domain manager selective restart on VSAN 3.
- Step 3**    `switch(config)# fdomain optimize selective-restart vsan 7 - 10`  
Enables domain manager selective restart on the range of VSANs from VSAN 7 to VSAN 10.
- Step 4**    `switch(config)# no fdomain optimize selective-restart vsan 8`

Disables (default) domain manager selective restart on VSAN 8.

---

## Configuring Switch Priority



**Note** By default, the configured priority is 128. The valid range to set the priority is between 1 and 254. Priority 1 has the highest priority. Value 255 is accepted from other switches, but cannot be locally configured.

---

To configure the priority for the principal switch, follow these steps:

### Procedure

---

- Step 1** switch# **configure terminal**  
Enters configuration mode.
- Step 2** switch(config)# **fcdomain priority 25 VSAN 99**  
Configures a priority of 25 for the local switch in VSAN 99.
- Step 3** switch(config)# **no fcdomain priority 25 VSAN 99**  
Reverts the priority to the factory default (128) in VSAN 99.
- 

## Configuring Fabric Names

To set the fabric name value for a disabled fcdomain, follow these steps:

### Procedure

---

- Step 1** switch# **configure terminal**  
Enters configuration mode.
- Step 2** switch(config)# **fcdomain fabric-name 20:1:ac:16:5e:0:21:01 vsan 3**  
Assigns the configured fabric name value in VSAN 3.
- Step 3** switch(config)# **no fcdomain fabric-name 20:1:ac:16:5e:0:21:01 vsan 3010**  
Changes the fabric name value to the factory default (20:01:00:05:30:00:28:df) in VSAN 3010.
-

## Rejecting Incoming RCFs

To reject incoming RCF request frames, follow these steps:

### Procedure

---

- Step 1**    switch# **configure terminal**  
Enters configuration mode.
- Step 2**    switch(config)# **interface fc1/1**  
switch(config-if)#  
Configures the specified interface.
- Step 3**    switch(config-if)# **fcdomain rcf-reject vsan 1**  
Enables the RCF filter on the specified interface in VSAN 1.
- Step 4**    switch(config-if)# **no fcdomain rcf-reject vsan 1**  
Disables (default) the RCF filter on the specified interface in VSAN 1.
- 

## Enabling Autoreconfiguration

To enable automatic reconfiguration in a specific VSAN (or range of VSANs), follow these steps:

### Procedure

---

- Step 1**    switch# **configure terminal**  
Enters configuration mode.
- Step 2**    switch(config)# **fcdomain auto-reconfigure vsan 10**  
Enables the automatic reconfiguration option in VSAN 10.
- Step 3**    switch(config)# **no fcdomain auto-reconfigure 69**  
Disables the automatic reconfiguration option and reverts it to the factory default in VSAN 69.
- 

## Configuring Domain IDs

Domain IDs uniquely identify a switch in a VSAN. A switch may have different domain IDs in different VSANs. The domain ID is part of the overall FC ID.

The configured domain ID can be preferred or static. By default, the configured domain ID is 0 (zero) and the configured type is preferred.

## Specifying Static or Preferred Domain IDs



**Note** Within a VSAN all switches should have the same domain ID type (either static or preferred). If a configuration is mixed (some switches with static domain types and others with preferred), then you may experience link isolation.

When a new domain ID is configured, the new configuration has to be applied by manually restarting the domain using the `fcdomain restart` command; if a discrepancy is detected between the configured domain ID and the runtime domain ID during the subsequent fabric merge, the link will be isolated.

To specify a static or preferred domain ID, follow these steps:

### Procedure

- 
- Step 1** `switch# configure terminal`  
Enters configuration mode.
- Step 2** `switch(config)# fcdomain domain 3 preferred vsan 8`  
Configures the switch in VSAN 8 to request a preferred domain ID 3 and accepts any value assigned by the principal switch. The domain ID range is 1 to 239.
- Step 3** `switch(config)# no fcdomain domain 3 preferred vsan 8`  
Resets the configured domain ID to 0 (default) in VSAN 8. The configured domain ID becomes 0 preferred.
- Step 4** `switch(config)# fcdomain domain 2 static vsan 237`  
Configures the switch in VSAN 237 to accept only a specific value and moves the local interfaces in VSAN 237 to an isolated state if the requested domain ID is not granted.
- Step 5** `switch(config)# no fcdomain domain 18 static vsan 237`  
Resets the configured domain ID to factory defaults in VSAN 237. The configured domain ID becomes 0 preferred.
- 

## Configuring Allowed Domain ID Lists

If you configure an allowed list on one switch in the fabric, we recommend that you configure the same list in all other switches in the fabric to ensure consistency or use CFS to distribute the configuration.

To configure the allowed domain ID list, perform these steps:

**Before you begin**

An allowed domain ID list must satisfy the following conditions:

- If this switch is a principal switch, all the currently assigned domain IDs must be in the allowed list.
- If this switch is a subordinate switch, the local runtime domain ID must be in the allowed list.
- The locally configured domain ID of the switch must be in the allowed list.
- The intersection of the assigned domain IDs with other already configured domain ID lists must not be empty.

**Procedure**

|               | Command or Action                                                                                     | Purpose                                                                                                                                                                       |
|---------------|-------------------------------------------------------------------------------------------------------|-------------------------------------------------------------------------------------------------------------------------------------------------------------------------------|
| <b>Step 1</b> | switch# <b>configure terminal</b>                                                                     | Enters configuration mode.                                                                                                                                                    |
| <b>Step 2</b> | switch# <b>fcdomain allowed 50-110 vsan 4</b><br><br>switch# <b>no fcdomain allowed 50-110 vsan 4</b> | Configures the list to allow switches with the domain ID 50 through 110 in VSAN 4.<br><br>Reverts to the factory default of allowing domain IDs from 1 through 239 in VSAN 5. |

## Enabling Allowed Domain ID Distribution

CFS distribution of allowed domain ID lists is disabled by default. You must enable distribution on all switches to which you want to distribute the allowed domain ID lists.

To enable (or disable) allowed domain ID list configuration distribution, follow these steps:

**Before you begin**

All switches in the fabric must be running Cisco SAN-OS Release 3.0(1) or later to distribute the allowed domain ID list using CFS.

**Procedure**

- 
- |               |                                                                                                        |
|---------------|--------------------------------------------------------------------------------------------------------|
| <b>Step 1</b> | switch# <b>configure terminal</b><br>Enters configuration mode.                                        |
| <b>Step 2</b> | switch(config)# <b>fcdomain distribute</b><br>Enables domain configuration distribution.               |
| <b>Step 3</b> | switch(config)# <b>no fcdomain distribute</b><br>Disables (default) domain configuration distribution. |
-

## Committing Changes

To commit pending domain configuration changes and release the lock, follow these steps:

### Procedure

---

- Step 1** switch# **configure terminal**  
Enters configuration mode.
- Step 2** switch(config)# **fcdomain commit vsan 10**  
Commits the pending domain configuration changes.
- 

## Discarding Changes

At any time, you can discard the pending changes to the domain configuration and release the fabric lock. If you discard (abort) the pending changes, the configuration remains unaffected and the lock is released.

To discard pending domain configuration changes and release the lock, follow these steps:

### Procedure

---

- Step 1** switch# **configure terminal**  
Enters configuration mode.
- Step 2** switch(config)# **fcdomain abort vsan 10**  
Discards the pending domain configuration changes.
- 

## Enabling Contiguous Domain ID Assignments

To enable contiguous domains in a specific VSAN (or a range of VSANs), follow these steps:

### Procedure

---

- Step 1** switch# **configure terminal**  
Enters configuration mode.
- Step 2** switch(config)# **fcdomain contiguous-allocation vsan 81-83**  
Enables the contiguous allocation option in VSAN 81 through 83.

**Note** The **contiguous-allocation** option takes immediate effect at runtime. You do not need to restart the fcdomain.

**Step 3** `switch(config)# no fcdomain contiguous-allocation vsan 1030`

Disables the contiguous allocation option and reverts it to the factory default in VSAN 1030.

## Configuring FC IDs

When an N or NL port logs into a Cisco MDS 9000 Family switch, it is assigned an FC ID.

### Enabling the Persistent FC ID Feature

If you connect to the switch from an AIX or HP-UX host, be sure to enable the persistent FC ID feature in the VSAN that connects these hosts.

A persistent FC ID assigned to an F port can be moved across interfaces and can continue to maintain the same persistent FC ID.



#### Note

- FC IDs are enabled by default. This change of default behavior from releases prior to Cisco MDS SAN-OS Release 2.0(1b) prevents FC IDs from being changed after a reboot. You can disable this option for each VSAN.
- Persistent FC IDs with loop-attached devices (FL ports) must remain connected to the same port in which they were configured.
- Due to differences in Arbitrated Loop Physical Address (ALPA) support on devices, FC ID persistency for loop-attached devices is not guaranteed.
- For Cisco MDS 9124, 9134, 9148, 9148S, and 9250i switches, ensure that you allocate a complete FCID area per interface and that the last byte to the right of the FCID (port\_id) is always zero for these platforms (except for an MDS 9148 running in the NPIV mode connected to an NPV switch). Hence, you cannot configure static FCIDs with non-zero port\_ids. For example, the following will not work on MDS 9124, 9134, 9148, 9148S, and 9250i:

```
vsan 1000 wwn 33:e8:00:05:30:00:16:df fcid 0x070128
```

It should be changed to `vsan 1000 wwn 33:e8:00:05:30:00:16:df fcid 0x070100`.

To enable the persistent FC ID feature, follow these steps:

#### Procedure

**Step 1** `switch# configure terminal`

Enters configuration mode.

**Step 2** `switch(config)# fcdomain fcid persistent vsan 1000`

FCID(s) persistent feature is enabled.

Activates (default) persistency of FC IDs in VSAN 1000.

- Step 3**     `switch(config)# no fcdomain fcid persistent vsan 20`  
Disables the FC ID persistency feature in VSAN 20.
- 

## Configuring Persistent FC IDs

To configure persistent FC IDs, follow these steps:

### Procedure

---

- Step 1**     `switch# configure terminal`  
Enters configuration mode.
- Step 2**     `switch(config)# fcdomain fcid database`  
`switch(config-fcid-db)#`  
Enters FC ID database configuration submode.
- Step 3**     `switch(config-fcid-db)# vsan 1000 wwn 33:e8:00:05:30:00:16:df fcid 0x070128`  
Configures a device WWN (33:e8:00:05:30:00:16:df) with the FC ID 0x070128 in VSAN 1000.
- Note**        To avoid assigning a duplicate FC ID, use the `show fcdomain address-allocation vsan` command to display the FC IDs in use.
- Step 4**     `switch(config-fcid-db)# vsan 1000 wwn 11:22:11:22:33:44:33:44 fcid 0x070123 dynamic`  
Configures a device WWN (11:22:11:22:33:44:33:44) with the FC ID 0x070123 in VSAN 1000 in dynamic mode.
- Step 5**     `switch(config-fcid-db)# vsan 1000 wwn 11:22:11:22:33:44:33:44 fcid 0x070100 area`  
Configures a device WWN (11:22:11:22:33:44:33:44) with the FC IDs 0x070100 through 0x701FF in VSAN 1000.
- Note**        To secure the entire area for this fcdomain, assign 00 as the last two characters of the FC ID.
- 

## Configuring Unique Area FC IDs for an HBA

To configure a different area ID for the HBA port, follow these steps:



- Note**        The procedure in this example uses a switch domain of 111(6f hex). The HBA port connects to interface fc1/9 and the storage port connects to interface fc 1/10 in the same switch.
-



## Procedure

**Step 1** Obtain the port WWN (Port Name field) ID of the HBA using the **show flogi database** command.

```
switch# show flogi database
```

| INTERFACE | VSAN | FCID     | PORT NAME               | NODE NAME               |
|-----------|------|----------|-------------------------|-------------------------|
| fc1/9     | 3    | 0x6f7703 | 50:05:08:b2:00:71:c8:c2 | 50:05:08:b2:00:71:c8:c0 |
| fc1/10    | 3    | 0x6f7704 | 50:06:0e:80:03:29:61:0f | 50:06:0e:80:03:29:61:0f |

**Note** Both FC IDs in this setup have the same area 77 assignment.

**Step 2** Shut down the HBA interface in the MDS switch.

```
switch# configure terminal
switch(config)# interface fc1/9
switch(config-if)# shutdown
switch(config-if)# end
switch#
```

### Example:

**Step 3** Verify that the FC ID feature is enabled using the **show fcdomain vsan 1** command.

```
switch# show fcdomain vsan 1
Local switch run time information:
 State: Stable
 Local switch WWN: 20:01:54:7f:ee:de:b3:01
 Running fabric name: 20:01:00:05:9b:2c:1c:71
 Running priority: 128
 Current domain ID: 0xee(238)
Local switch configuration information:
 State: Enabled
 FCID persistence: Disabled
 Auto-reconfiguration: Disabled
 Contiguous-allocation: Disabled
 Configured fabric name: 20:01:00:05:30:00:28:df
 Optimize Mode: Disabled
 Configured priority: 128
 Configured domain ID: 0x00(0) (preferred)
Principal switch run time information:
 Running priority: 2
Interface Role RCF-reject

fc1/1 Non-principal Disabled
fc1/2 Upstream Disabled
fc1/11 Non-principal Disabled
fc1/37 Non-principal Disabled
port-channel 1 Downstream Disabled

```

If this feature is disabled, continue with this procedure to enable the persistent FC ID.

If this feature is already enabled, skip to step 7.

**Step 4** Enable the persistent FC ID feature in the Cisco MDS switch.

```
switch# configure terminal
switch(config)# fcdomain fcid persistent vsan 1
switch(config)# end
switch#
```

**Step 5** Assign a new FC ID with a different area allocation. In this example, we replace *77* with *ee*.

```
switch# configure terminal
switch(config)# fcdomain fcid database
switch(config-fcid-db)# vsan 3 wwn 50:05:08:b2:00:71:c8:c2 fcid 0x6fee00 area
```

**Step 6** Enable the HBA interface in the Cisco MDS switch.

```
switch# configure terminal
switch(config)# interface fc1/9
switch(config-if)# no shutdown
switch(config-if)# end
switch#
```

**Step 7** Verify the pWWN ID of the HBA using the **show flogi database** command.

```
switch# show flogi database
```

| INTERFACE | VSAN | FCID     | PORT NAME               | NODE NAME               |
|-----------|------|----------|-------------------------|-------------------------|
| fc1/9     | 3    | 0x6fee00 | 50:05:08:b2:00:71:c8:c2 | 50:05:08:b2:00:71:c8:c0 |
| fc1/10    | 3    | 0x6f7704 | 50:06:0e:80:03:29:61:0f | 50:06:0e:80:03:29:61:0f |

**Note** Both FC IDs now have different area assignments.

## Purging Persistent FC IDs

To purge persistent FC IDs, follow this step:

### Procedure

- Step 1** switch# **purge fcdomain fcid vsan 4**  
Purges all dynamic and unused FC IDs in VSAN 4.
- Step 2** switch# **purge fcdomain fcid vsan 3-5**  
Purges dynamic and unused FC IDs in VSAN 3, 4, and 5.

## Clearing a Fabric Lock

To release a fabric lock, issue the **clear fcdomain session vsan** command in EXEC mode using a login ID that has administrative privileges.

```
switch# clear fcdomain session vsan 10
```

## Verifying FC Domain Configuration

To display the domain ID configuration information, perform the following tasks:

| Command                                       | Purpose                                                                            |
|-----------------------------------------------|------------------------------------------------------------------------------------|
| <b>show fcdomain status</b>                   | Displays the status of CFS distribution for allowed domain ID lists.               |
| <b>show fcdomain pending</b>                  | Displays the pending configuration changes.                                        |
| <b>show fcdomain session-status vsan</b>      | Displays the status of the distribution session.                                   |
| <b>show fcdomain</b>                          | Displays global information about fcdomain configurations.                         |
| <b>show fcdomain domain-list</b>              | Displays the list of domain IDs of all switches.                                   |
| <b>show fcdomain allowed vsan</b>             | Displays the list of allowed domain IDs configured on this switch.                 |
| <b>show fcdomain fcid persistent</b>          | Displays all existing, persistent FC IDs for a specified VSAN.                     |
| <b>show fcdomain statistics</b>               | Displays frame and other fcdomain statistics for a specified VSAN or PortChannel.  |
| <b>show fcdomain address-allocation</b>       | Displays FC ID allocation statistics including a list of assigned and free FC IDs. |
| <b>show fcdomain address-allocation cache</b> | Displays the valid address allocation cache.                                       |

For detailed information about the fields in the output from these commands, refer to the *Cisco MDS 9000 Family Command Reference*.

## Displaying CFS Distribution Status

You can display the status of CFS distribution for allowed domain ID lists using the **show fcdomain status** command.

```
switch# show fcdomain status
CFS distribution is enabled
```

## Displaying Pending Changes

You can display the pending configuration changes using the **show fcdomain pending** command:

```
switch# show fcdomain pending vsan 10
Pending Configured Allowed Domains

VSAN 10
Assigned or unallowed domain IDs: 1-9,24,100,231-239.
```

```
[User] configured allowed domain IDs: 10-230.
```

You can display the differences between the pending configuration and the current configuration using the `show fcdomain pending-diff` command.

```
switch#show fcdomain pending-diff vsan 10
Current Configured Allowed Domains

VSAN 10
Assigned or unallowed domain IDs: 24,100.
[User] configured allowed domain IDs: 1-239.
Pending Configured Allowed Domains

VSAN 10
Assigned or unallowed domain IDs: 1-9,24,100,231-239.
[User] configured allowed domain IDs: 10-230.
```

## Displaying Session Status

You can display the status of the distribution session using the `show fcdomain session-status vsan` command.

```
switch# show fcdomain session-status vsan 1
Last Action: Distribution Enable
Result: Success
```

## Displaying fcdomain Information

### Global fcdoman Information

Use the `show fcdomain` command to display global information about fcdomain configurations. See the following example:




---

**Note** In the following example, the fcdomain feature is disabled. Consequently, the runtime fabric name is the same as the configured fabric name.

---

```
switch# show fcdomain vsan 2
The local switch is the Principal Switch.
Local switch run time information:
 State: Stable
 Local switch WWN: 20:01:00:0b:46:79:ef:41
 Running fabric name: 20:01:00:0b:46:79:ef:41
 Running priority: 128
 Current domain ID: 0xed(237)
Local switch configuration information:
 State: Enabled
 FCID persistence: Disabled
 Auto-reconfiguration: Disabled
 Contiguous-allocation: Disabled
 Configured fabric name: 20:01:00:05:30:00:28:df
 Optimize Mode: Disabled
 Configured priority: 128
 Configured domain ID: 0x00(0) (preferred)
```

```

Principal switch run time information:
 Running priority: 128
No interfaces available.
switch# show fcdomain vsan 1
The local switch is the Principal Switch.
Local switch run time information:
State: Stable
Local switch WWN: 20:01:54:7f:ee:46:5b:41
Running fabric name: 20:01:54:7f:ee:46:5b:41
Running priority: 128
Current domain ID: 0xe9(233)
Local switch configuration information:
State: Enabled
FCID persistence: Enabled
Auto-reconfiguration: Disabled
Contiguous-allocation: Disabled
Configured fabric name: 20:01:00:05:30:00:28:df
Optimize Mode: Enabled (Fast Restart, Selective Restart, Scale Restart)
Configured priority: 128
Configured domain ID: 0xe9(233) (static)
Principal switch run time information:
Running priority: 128
No interfaces available.
switch#

```




---

**Note** If a scale-restart feature was enabled and the other optimization modes were disabled when downgrading from Cisco MDS 6.2(9) release or later to 6.2(7) or older releases, the optimize mode will be a blank instead of disabled

---

### fcdomain Lists

Use the **show fcdomain domain-list** command to display the list of domain IDs of all switches belonging to a specified VSAN. This list provides the WWN of the switches owning each domain ID. The following example shows the following:

- A switch with WWN of 20:01:00:05:30:00:47:df is the principal switch and has domain 200.
- A switch with WWN of 20:01:00:0d:ec:08:60:c1 is the local switch (the one where you typed the CLI command to show the domain-list) and has domain 99.
- The IVR manager obtained virtual domain 97 using 20:01:00:05:30:00:47:df as the WWN for a virtual switch.

```

switch# show fcdomain domain-list vsan 76
Number of domains: 3
Domain ID WWN

0xc8(200) 20:01:00:05:30:00:47:df [Principal]
0x63(99) 20:01:00:0d:ec:08:60:c1 [Local]
0x61(97) 50:00:53:0f:ff:f0:10:06 [Virtual (IVR)]

```

### Allowed Domain ID Lists

Use the **show fcdomain allowed vsan** command to display the list of allowed domain IDs configured on this switch. See the following example:

```
switch# show fcdomain allowed vsan 1

Assigned or unallowed domain IDs: 1-96,100,111-239.
[Interoperability Mode 1] allowed domain IDs: 97-127.
[User] configured allowed domain IDs: 50-110.
```



**Tip** Ensure that the requested domain ID passes the Cisco NX-OS software checks, if **interop 1** mode is required in this switch.

### Persistent FC IDs in a Specified VSAN

Use the **show fcdomain fcid persistent** command to display all existing, persistent FC IDs for a specified VSAN. You can also specify the **unused** option to view only persistent FC IDs that are still not in use. See the following examples:

```
switch# show fcdomain fcid persistent vsan 1000
Total entries 2.
Persistent FCIDs table contents:
VSAN WWN FCID Mask Used Assignment
---- -
1000 11:11:22:22:11:11:12:23 0x700101 SINGLE FCID NO STATIC
1000 44:44:33:33:22:22:11:11 0x701000 ENTIRE AREA NO DYNAMIC
```

### All Persistent FC IDs in fcdomain

The following example displays all persistent FC IDs in the fcdomain:

```
switch# show fcdomain fcid persistent
Total entries 2.
Persistent FCIDs table contents:
VSAN WWN FCID Mask Used Assignment
---- -
1000 11:11:22:22:11:11:22:22 0x700501 SINGLE FCID NO STATIC
1003 44:44:33:33:22:22:11:11 0x781000 ENTIRE AREA YES DYNAMIC
```

### fcdomain Statistics for a Specified VSAN

Use the **show fcdomain statistics** command to display frame and other fcdomain statistics for a specified VSAN or PortChannel. See the following example and [Domain Manager Selective Restart, on page 256](#).

```
switch# show fcdomain statistics vsan1

VSAN Statistics
 Number of Principal Switch Selections: 5
 Number of times Local Switch was Principal: 0
 Number of 'Build Fabric's: 3
 Number of 'Fabric Reconfigurations': 0
```

### fcdomain Statistics for a Specified PortChannel

The following example displays fcdomain statistics for a specified PortChannel:

```
switch# show fcdomain statistics interface port-channel 10 vsan 1
```

```

Interface Statistics:
 Transmitted Received

 EFPs 13 9
 DIAs 7 7
 RDIs 0 0
 ACCs 21 25
 RJTs 1 1
 BFs 2 2
 RCFs 4 4
 Error 0 0
 Total 48 48
Total Retries: 0
Total Frames: 96

```

### FC ID Information

Use the **show fcdomain address-allocation** command to display FC ID allocation statistics including a list of assigned and free FC IDs. See the following example:

```
switch# show fcdomain address-allocation vsan 1
Free FCIDs: 0x020000 to 0x02fdff
 0x02ff00 to 0x02ffff
```

```
Assigned FCIDs: 0x02fe00 to 0x02feff
 0x02ffff
```

```
Reserved FCIDs: 0x020100 to 0x02f0ff
 0x02fe00 to 0x02feff
 0x02ffff
```

```
Number free FCIDs: 65279
Number assigned FCIDs: 257
Number reserved FCIDs: 61697
```

### Address Allocation Information

Use the **show fcdomain address-allocation cache** command to display the valid address allocation cache. The cache is used by the principal switch to reassign the FC IDs for a device (disk or host) that exited and reentered the fabric. In the cache content, VSAN refers to the VSAN that contains the device, WWN refers to the device that owned the FC IDs, and mask refers to a single or entire area of FC IDs. See the following example:

```
switch# show fcdomain address-allocation cache
Cache content:
line# VSAN ----- WWN ----- FCID ----- mask

```

## Displaying fcdomain Information

|    |    |                         |          |             |
|----|----|-------------------------|----------|-------------|
| 1. | 12 | 21:00:00:e0:8b:08:a2:21 | 0xef0400 | ENTIRE AREA |
| 2. | 6  | 50:06:04:82:c3:a1:2f:5c | 0xef0002 | SINGLE FCID |
| 3. | 8  | 20:4e:00:05:30:00:24:5e | 0xef0300 | ENTIRE AREA |
| 4. | 8  | 50:06:04:82:c3:a1:2f:52 | 0xef0001 | SINGLE FCID |





# CHAPTER 15

## Monitoring Network Traffic Using SPAN

This chapter describes the Switched Port Analyzer (SPAN) features provided in switches in the Cisco MDS 9000 Family.

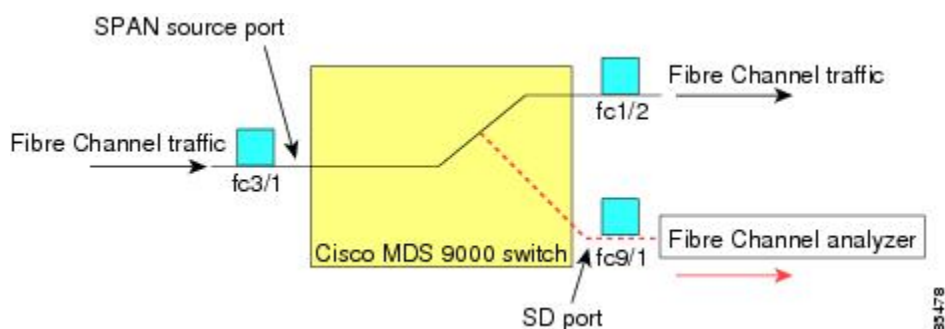
- [Information About SPAN, on page 281](#)
- [Guidelines and Limitations, on page 293](#)
- [Default SPAN and RSPAN Settings, on page 296](#)
- [Configuring SPAN, on page 296](#)
- [Configuring the Source Switch , on page 303](#)
- [Configuring All Intermediate Switches , on page 306](#)
- [Configuring the Destination Switch , on page 307](#)
- [Verifying SPAN Configuration, on page 310](#)
- [Configuration Examples for RSPAN, on page 315](#)

### Information About SPAN

The SPAN feature is specific to switches in the Cisco MDS 9000 Family. It monitors network traffic through a Fibre Channel interface. Traffic through any Fibre Channel interface can be replicated to a special port called the SPAN destination port (SD port). Any Fibre Channel port in a switch can be configured as an SD port. Once an interface is in SD port mode, it cannot be used for normal data traffic. You can attach a Fibre Channel Analyzer to the SD port to monitor SPAN traffic.

SD ports do not receive frames, they only transmit a copy of the SPAN source traffic. The SPAN feature is nonintrusive and does not affect switching of network traffic for any SPAN source ports (see [Figure 13: SPAN Transmission, on page 281](#)).

**Figure 13: SPAN Transmission**

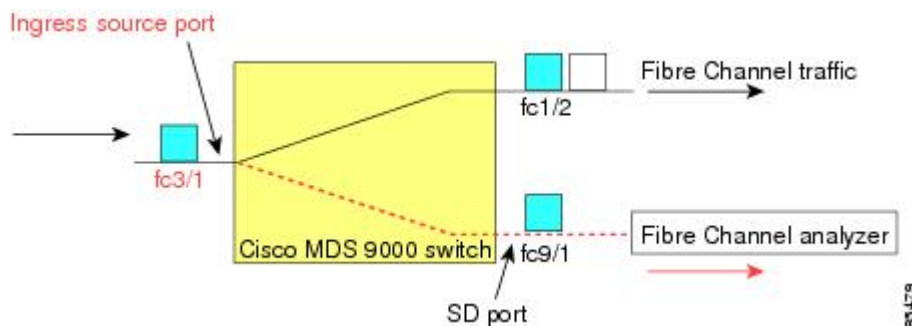


## SPAN Sources

SPAN sources refer to the interfaces from which traffic can be monitored. You can also specify VSAN as a SPAN source, in which case, all supported interfaces in the specified VSAN are included as SPAN sources. When a VSAN as a source is specified, then all physical ports and PortChannels in that VSAN are included as SPAN sources. You can choose the SPAN traffic in the ingress direction, the egress direction, or both directions for any source interface:

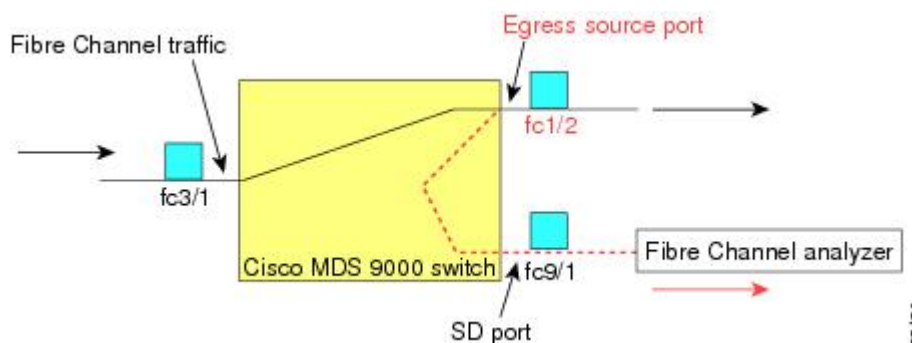
- Ingress source (Rx)—Traffic entering the switch fabric through this source interface is *spanned* or copied to the SD port (see [Figure 14: SPAN Traffic from the Ingress Direction, on page 282](#)).

**Figure 14: SPAN Traffic from the Ingress Direction**



- Egress source (Tx)—Traffic exiting the switch fabric through this source interface is spanned or copied to the SD port (see [Figure 15: SPAN Traffic from Egress Direction, on page 282](#)).

**Figure 15: SPAN Traffic from Egress Direction**



## IPS Source Ports

SPAN capabilities are available on the IP Storage Services (IPS) module. The SPAN feature is only implemented on the FCIP and iSCSI virtual Fibre Channel port interfaces, not the physical Gigabit Ethernet ports. You can configure SPAN for ingress traffic, egress traffic, or traffic in both directions for all eight iSCSI and 24 FCIP interfaces that are available in the IPS module.



**Note** You can configure SPAN for Ethernet traffic using Cisco switches or routers connected to the Cisco MDS 9000 Family IPS modules.

## Allowed Source Interface Types

The SPAN feature is available for the following interface types:

- Physical ports such as F ports, FL ports, TE ports, E ports, and TL ports.
- Interface sup-fc0 (traffic to and from the supervisor):
  - The Fibre Channel traffic from the supervisor module to the switch fabric through the sup-fc0 interface is called ingress traffic. It is spanned when sup-fc0 is chosen as an ingress source port.
  - The Fibre Channel traffic from the switch fabric to the supervisor module through the sup-fc0 interface is called egress traffic. It is spanned when sup-fc0 is chosen as an egress source port.
- PortChannels
  - All ports in the PortChannel are included and spanned as sources.
  - You cannot specify individual ports in a PortChannel as SPAN sources. Previously configured SPAN-specific interface information is discarded.
- IPS module specific Fibre Channel interfaces:
  - iSCSI interfaces
  - FCIP interfaces



---

**Note** In Cisco MDS 9700 Series Switches, iSCSI ports are not applicable for the Allowed Source Interface Types.

---

## VSAN as a Source

SPAN sources refer to the interfaces from which traffic can be monitored. When a VSAN as a source is specified, then all physical ports and PortChannels in that VSAN are included as SPAN sources. A TE port is included only when the port VSAN of the TE port matches the source VSAN. A TE port is excluded even if the configured allowed VSAN list may have the source VSAN, but the port VSAN is different.

You cannot configure source interfaces (physical interfaces, PortChannels, or sup-fc interfaces) and source VSANs in the same SPAN session.

## SPAN Sessions

Each SPAN session represents an association of one destination with a set of source(s) along with various other parameters that you specify to monitor the network traffic. One destination can be used by one or more SPAN sessions. You can configure up to 16 SPAN sessions in a switch. Each session can have several source ports and one destination port.

To activate any SPAN session, at least one source and the SD port must be up and functioning. Otherwise, traffic is not directed to the SD port.



---

**Tip** A source can be shared by two sessions, however, each session must be in a different direction—one ingress and one egress.

---

You can temporarily deactivate (suspend) any SPAN session. The traffic monitoring is stopped during this time.



**Note** On a Cisco MDS 9250i Multiservice Fabric switch, packet drops will occur if the SPAN port cannot keep up with incoming frame bursts. To avoid these packet drops, the speed of the SPAN destination port should be equal to the maximum speed of the source ports. However, when the source is an FCIP interface, the speed of the SPAN destination port should be more than 10G because the FCIP interface is running over a 10G Ethernet physical interface.

## Specifying Filters

You can perform VSAN-based filtering to selectively monitor network traffic on specified VSANs. You can apply this VSAN filter to all sources in a session (see ). Only VSANs present in the filter are spanned.

You can specify session VSAN filters that are applied to all sources in the specified session. These filters are bidirectional and apply to all sources configured in the session. Each SPAN session represents an association of one destination with a set of source(s) along with various other parameters that you specify to monitor the network traffic.

## SD Port Characteristics

An SD port has the following characteristics:

- Ignores BB\_credits.
- Allows data traffic only in the egress (Tx) direction.
- Does not require a device or an analyzer to be physically connected.
- Supports only 1 Gbps or 2 Gbps speeds. The auto speed option is not allowed.
- Multiple sessions can share the same destination ports.
- If the SD port is shut down, all shared sessions stop generating SPAN traffic.
- The outgoing frames can be encapsulated in Extended Inter-Switch Link (EISL) format.
- The SD port does not have a port VSAN.
- SD ports cannot be configured using Storage Services Modules (SSMs).
- The port mode cannot be changed if it is being used for a SPAN session.



**Note**

- If you need to change an SD port mode to another port mode, first remove the SD port from all sessions and then change the port mode using the **switchport mode** command.
- In Cisco MDS 9700 Series Switches, the SD Port supports only 2 Gbps, 4 Gbps, 8 Gbps, and 16 Gbps speeds. The auto speed option is not allowed

## SPAN Conversion Behavior

SPAN features (configured in any prior release) are converted as follows:

- If source interfaces and source VSANs are configured in a given session, then all the source VSANs are removed from that session.

For example, before Cisco MDS SAN-OS Release 1.0(4):

```
Session 1 (active)
 Destination is fc1/9
 No session filters configured
 Ingress (rx) sources are
 vsans 10-11
 fc1/3,
 Egress (tx) sources are
 fc1/3,
```

Once upgraded to Cisco MDS SAN-OS Release 1.1(1):

```
Session 1 (active)
 Destination is fc1/9
 No session filters configured
 Ingress (rx) sources are
 fc1/3,
 Egress (tx) sources are
 fc1/3,
```

For Cisco MDS 9700 Series Switches:

```
switch(config-if)# monitor session 1
switch(config-monitor)# source interface fc5/1
switch(config-monitor)# destination interface fc2/9
switch(config-monitor)# no shut
switch(config-monitor)# show monitor session all
session 1

ssn direction : both
state : up
source intf :
rx : fc5/1
tx : fc5/1
both : fc5/1
source VLANs :
rx :
tx :
both :
source exception :
rate-limit : Auto
filter VLANs : filter not specified
destination ports : fc2/9
```

Session 1 had both source interfaces and source VSANs before the upgrade. After the upgrade, the source VSANs were removed (rule 1).

- If interface level VSAN filters are configured in source interfaces, then the source interfaces are also removed from the session. If this interface is configured in both directions, it is removed from both directions.

For example, before Cisco MDS SAN-OS Release 1.0(4):

```

Session 2 (active)
 Destination is fc1/9
 No session filters configured
 Ingress (rx) sources are
 vsans 12
 fc1/6 (vsan 1-20),
 Egress (tx) sources are
 fc1/6 (vsan 1-20),

```

Once upgraded to Cisco MDS SAN-OS Release 1.1(1):

```

Session 2 (inactive as no active sources)
 Destination is fc1/9
 No session filters configured
 No ingress (rx) sources
 No egress (tx) sources

```




---

**Note** The deprecated configurations are removed from persistent memory once a switchover or a new startup configuration is implemented.

---

Session 2 had a source VSAN 12 and a source interface fc1/6 with VSAN filters specified in Cisco MDS SAN-OS Release 1.0(4). When upgraded to Cisco MDS SAN-OS Release 1.1(1) the following changes are made:

- The source VSAN (VSAN 12) is removed (rule 1).
- The source interface fc1/6 had VSAN filters specified—it is also removed (rule 2).

## Monitoring Traffic Using Fibre Channel Analyzers

You can use SPAN to monitor traffic on an interface without any traffic disruption. This feature is especially useful in troubleshooting scenarios in which traffic disruption changes the problem environment and makes it difficult to reproduce the problem. You can monitor traffic in either of the following two ways:

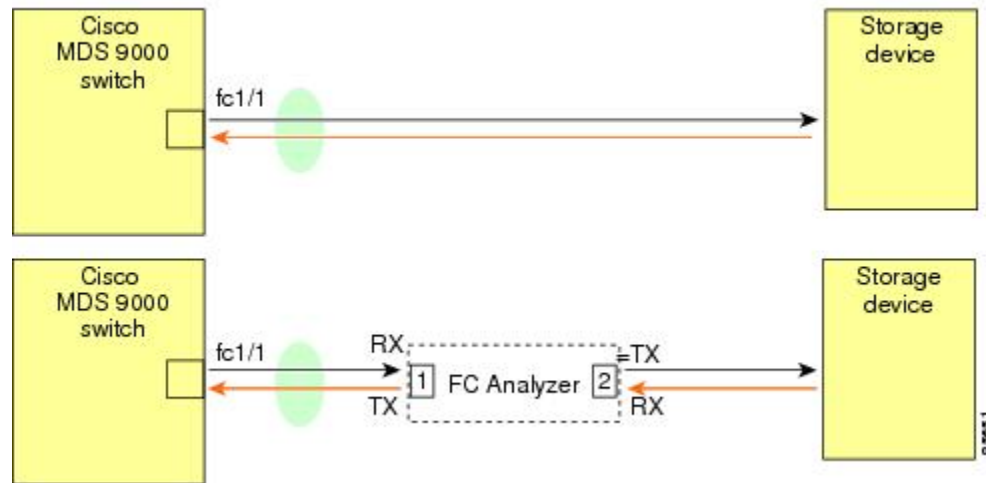
- Without SPAN
- With SPAN

### Monitoring Without SPAN

You can monitor traffic using interface fc1/1 in a Cisco MDS 9000 Family switch that is connected to another switch or host. You need to physically connect a Fibre Channel analyzer between the switch and the storage device to analyze the traffic through interface fc1/1 (see [Figure 16: Fibre Channel Analyzer Usage Without SPAN, on page 287](#)).

Figure 16: Fibre Channel Analyzer Usage Without SPAN

FC Analyzer usage without SPAN



This type of connection has the following limitations:

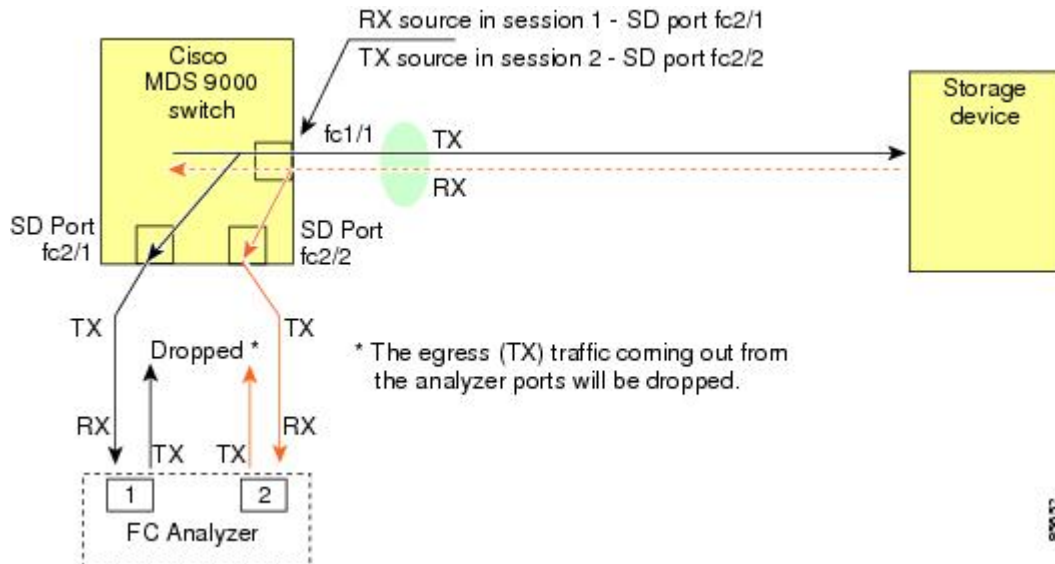
- It requires you to physically insert the FC analyzer between the two network devices.
- It disrupts traffic when the Fibre Channel analyzer is physically connected.
- The analyzer captures data only on the Rx links in both port 1 and port 2. Port 1 captures traffic exiting interface fc1/1 and port 2 captures ingress traffic into interface fc1/1.

## Monitoring with SPAN

Using SPAN you can capture the same traffic scenario (see [Figure 16: Fibre Channel Analyzer Usage Without SPAN, on page 287](#)) without any traffic disruption. The Fibre Channel analyzer uses the ingress (Rx) link at port 1 to capture all the frames going out of the interface fc1/1. It uses the ingress link at port 2 to capture all the ingress traffic on interface fc1/1.

Using SPAN you can monitor ingress traffic on fc1/1 at SD port fc2/2 and egress traffic on SD port fc2/1. This traffic is seamlessly captured by the FC analyzer (see [Figure 17: Fibre Channel Analyzer Using SPAN, on page 288](#)).

Figure 17: Fibre Channel Analyzer Using SPAN

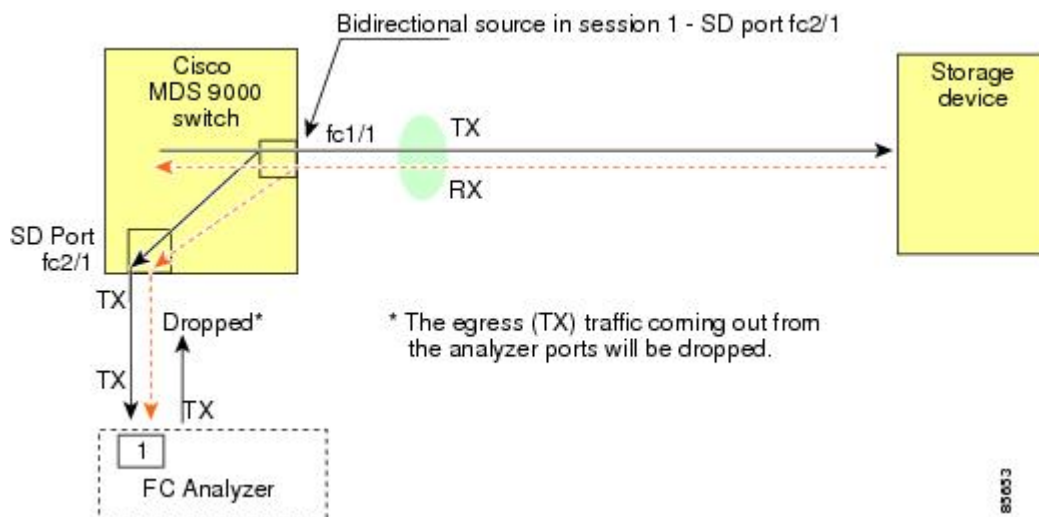


## Single SD Port to Monitor Traffic

You do not need to use two SD ports to monitor bidirectional traffic on any interface (see [Figure 17: Fibre Channel Analyzer Using SPAN, on page 288](#)). You can use one SD port and one FC analyzer port by monitoring traffic on the interface at the same SD port fc2/1.

[Figure 18: Fibre Channel Analyzer Using a Single SD Port, on page 288](#) shows a SPAN setup where one session with destination port fc2/1 and source interface fc1/1 is used to capture traffic in both ingress and egress directions. This setup is more advantageous and cost effective than the setup shown in [Figure 17: Fibre Channel Analyzer Using SPAN, on page 288](#). It uses one SD port and one port on the analyzer, instead of using a full, two-port analyzer.

Figure 18: Fibre Channel Analyzer Using a Single SD Port



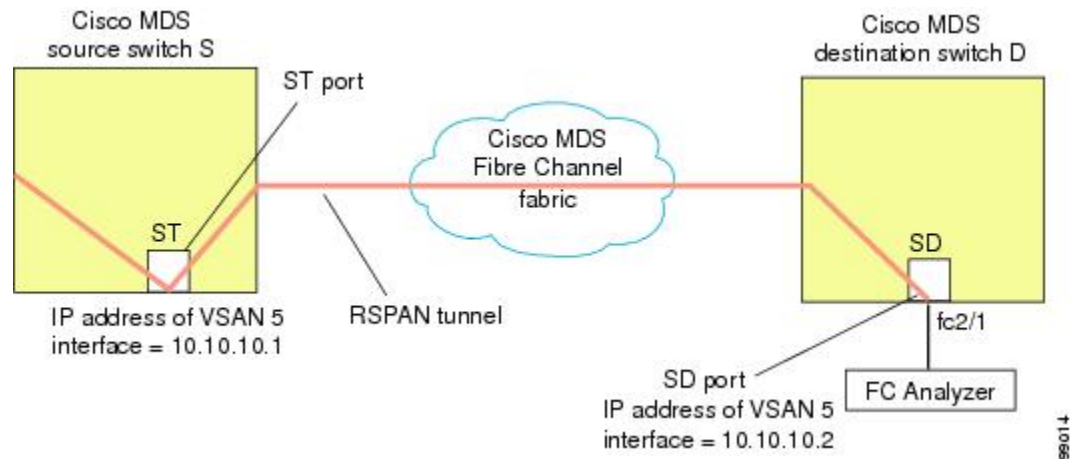


To use this setup, the analyzer should have the capability of distinguishing ingress and egress traffic for all captured frames.

## SD Port Configuration

The SD port in the destination switch enables the FC analyzer to receive the RSPAN traffic from the Fibre Channel tunnel. [Figure 19: RSPAN Tunnel Configuration, on page 289](#) depicts an RSPAN tunnel configuration, now that tunnel destination is also configured.

**Figure 19: RSPAN Tunnel Configuration**

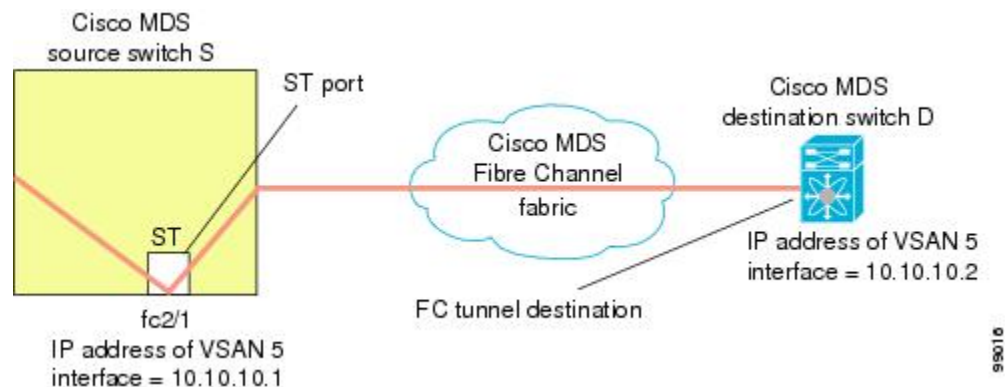


**Note** SD ports cannot be configured using Storage Services Modules (SSMs).

## Mapping the FC Tunnel

The `tunnel-id-map` option specifies the egress interface of the tunnel at the destination switch (see [Figure 20: FC Tunnel Configuration, on page 289](#)).

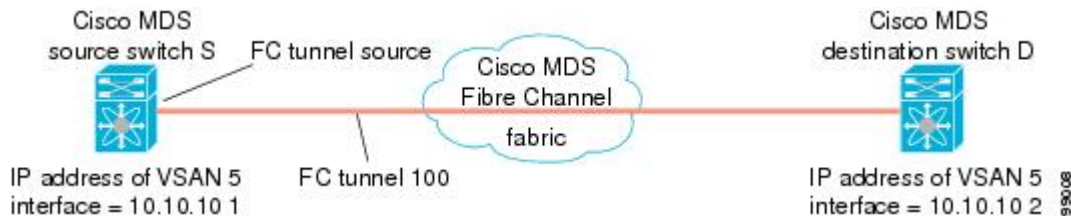
**Figure 20: FC Tunnel Configuration**



## Creating VSAN Interfaces

Figure 21: FC Tunnel Configuration, on page 290 depicts a basic FC tunnel configuration.

Figure 21: FC Tunnel Configuration



**Note** This example assumes that VSAN 5 is already configured in the VSAN database.

## Remote SPAN



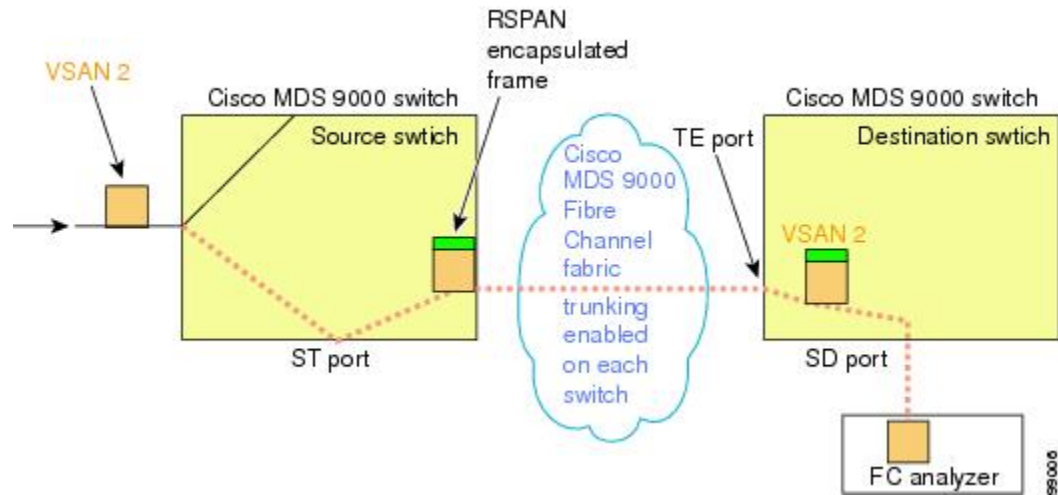
**Note** Remote SPAN is not supported on the Cisco Fabric Switch for HP c-Class BladeSystem, Cisco Fabric Switch for IBM BladeSystem, Cisco Fabric Switch 9250i, and Cisco Fabric Switch 9100S.

The Remote SPAN (RSPAN) feature enables you to remotely monitor traffic for one or more SPAN sources distributed in one or more source switches in a Fibre Channel fabric. The SPAN destination (SD) port is used for remote monitoring in a destination switch. A destination switch is usually different from the source switch(es) but is attached to the same Fibre Channel fabric. You can replicate and monitor traffic in any remote Cisco MDS 9000 Family switch or director, just as you would monitor traffic in a Cisco MDS source switch.

The RSPAN feature is nonintrusive and does not affect network traffic switching for those SPAN source ports. Traffic captured on the remote switch is tunneled across a Fibre Channel fabric which has trunking enabled on all switches in the path from the source switch to the destination switch. The Fibre Channel tunnel is structured using trunked ISL (TE) ports. In addition to TE ports, the RSPAN feature uses two other interface types (see [Figure 22: RSPAN Transmission, on page 291](#)):

- SD ports—A passive port from which remote SPAN traffic can be obtained by the FC analyzer.
- ST ports—A SPAN tunnel (ST) port is an entry point port in the source switch for the RSPAN Fibre Channel tunnel. ST ports are special RSPAN ports and cannot be used for normal Fibre Channel traffic.

Figure 22: RSPAN Transmission



## Advantages of Using RSPAN

The RSPAN features has the following advantages:

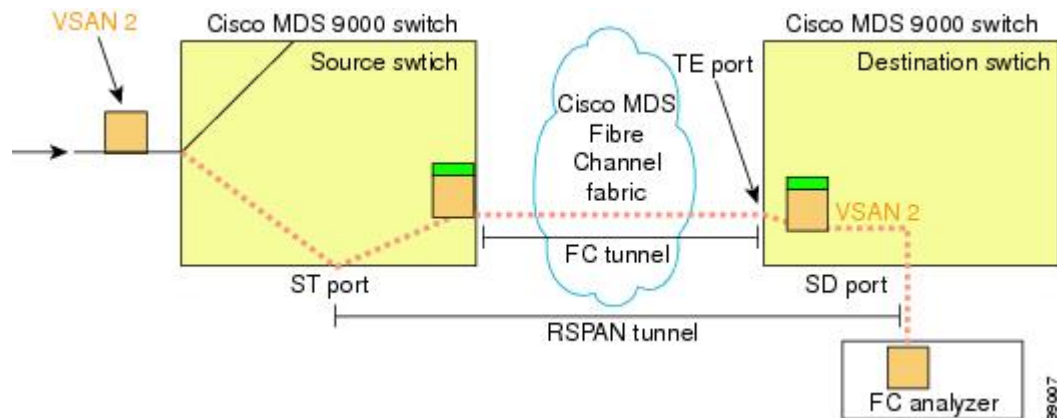
- Enables nondisruptive traffic monitoring at a remote location.
- Provides a cost effective solution by using one SD port to monitor remote traffic on multiple switches.
- Works with any Fibre Channel analyzer.
- Is compatible with the Cisco MDS 9000 Port Analyzer adapters.
- Does not affect traffic in the source switch, but shares the ISL bandwidth with other ports in the fabric.

## FC and RSPAN Tunnels

An FC tunnel is a logical data path between a source switch and a destination switch. The FC tunnel originates from the source switch and terminates at the remotely located destination switch.

RSPAN uses a special Fibre Channel tunnel (FC tunnel) that originates at the ST port in the source switch and terminates at the SD port in the destination switch. You must bind the FC tunnel to an ST port in the source switch and map the same FC tunnel to an SD port in the destination switch. Once the mapping and binding is configured, the FC tunnel is referred to as an RSPAN tunnel (see [Figure 23: FC and RSPAN Tunnel, on page 292](#)).

Figure 23: FC and RSPAN Tunnel



## ST Port Configuration

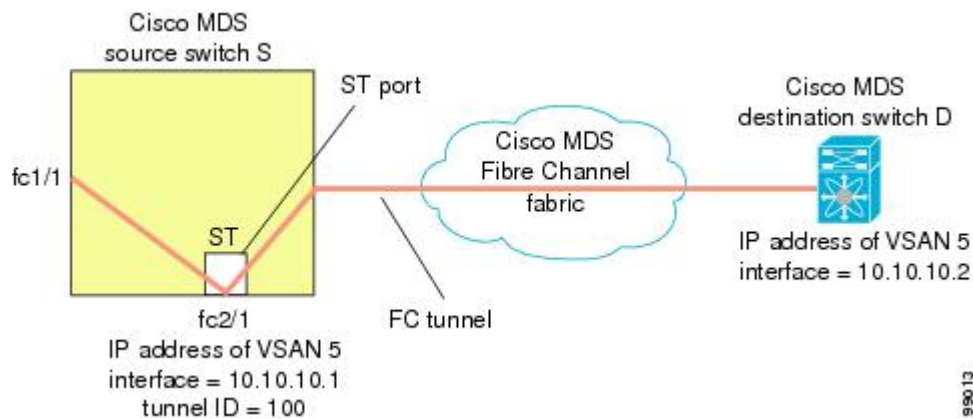


**Note** In Cisco MDS 9700 Series Switches, SPAN tunnel port (ST port) is not supported.

Once the FC tunnel is created, be sure to configure the ST port to bind it to the FC tunnel at the source switch. The FC tunnel becomes an RSPAN tunnel once the binding and mapping is complete.

Figure 24: Binding the FC Tunnel, on page 292 depicts a basic FC tunnel configuration.

Figure 24: Binding the FC Tunnel



## ST Port Characteristics

ST ports have the following characteristics:

- ST ports perform the RSPAN encapsulation of the FC frame.
- ST ports do not use BB\_credits.
- One ST port can only be bound to one FC tunnel.
- ST ports cannot be used for any purpose other than to carry RSPAN traffic.

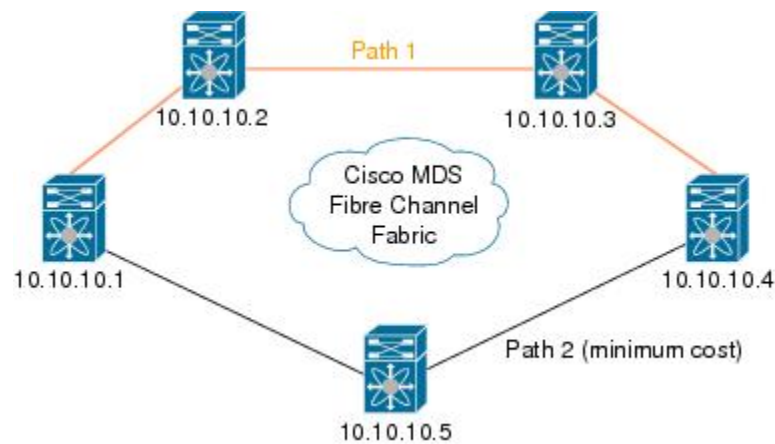
- ST ports cannot be configured using Storage Services Modules (SSMs).

## Creating Explicit Paths

You can specify an explicit path through the Cisco MDS Fibre Channel fabric (source-based routing), using the **explicit-path** option. For example, if you have multiple paths to a tunnel destination, you can use this option to specify the FC tunnel to always take one path to the destination switch. The software then uses this specified path even if other paths are available.

This option is especially useful if you prefer to direct the traffic through a certain path although other paths are available. In an RSPAN situation, you can specify the explicit path so the RSPAN traffic does not interfere with the existing user traffic. You can create any number of explicit paths in a switch (see [Figure 25: Explicit Path Configuration, on page 293](#)).

**Figure 25: Explicit Path Configuration**



## Guidelines and Limitations

### Cisco MDS 9700 Series Switches Guidelines

The following guidelines and limitations apply for Cisco MDS 9700 Series Switches:

- In Cisco MDS 9700 Series Switches, SPAN is replaced by Monitor.
- In Cisco MDS 9700 Series Switches, SPAN tunnel port (ST port) is not supported.
- In Cisco MDS 9700 Series Switches, RSPAN is replaced by Remote Monitor.
- For Cisco MDS 9700 Series Switches, Generation 2 Fabric Switches is not supported

### SPAN Configuration Guidelines

The following guidelines and limitations apply for SPAN configurations:

- You can configure up to 16 SPAN sessions with multiple ingress (Rx) sources.

- The number of source ports must be less than or equal to 16. However, we recommend that you configure a maximum of only two source ports per SPAN or monitor session.
- You can configure a maximum of three SPAN sessions with one egress (Tx) port.
- In a 32-port switching module, you must configure the same session in all four ports in one port group (unit). If you wish, you can also configure only two or three ports in this unit.



**Note** This is not applicable for Cisco MDS 9700 Series Switches.

- SPAN frames are dropped if the sum of the bandwidth of the sources exceeds the speed of the destination port.
- Frames dropped by a source port are not spanned.
- SPAN does not capture pause frames in a Fibre Channel over Ethernet (FCoE) network because pause frames sent from the virtual expansion (VE) port are generated and terminated by the outermost MAC layer. For more information on FCoE, see the Cisco NX-OS FCoE Configuration Guide for Cisco Nexus 7000 and Cisco MDS 9500.
- In case of an IVR configuration and topology, SPAN cannot capture the egress (Tx) of the source port. To span the complete traffic flow, add the source ports taking part in the flow in ingress (Rx) direction.



Consider FC1/1, in the above illustration, as the SPAN source port. In this case, traffic egressing (Tx) from FC1/1 will not be spanned. Only packets entering (Rx) FC1/1 will be spanned. To capture the complete flow, span FC1/1 (Rx) and FC1/2 (Rx) in a single session going to a single destination.

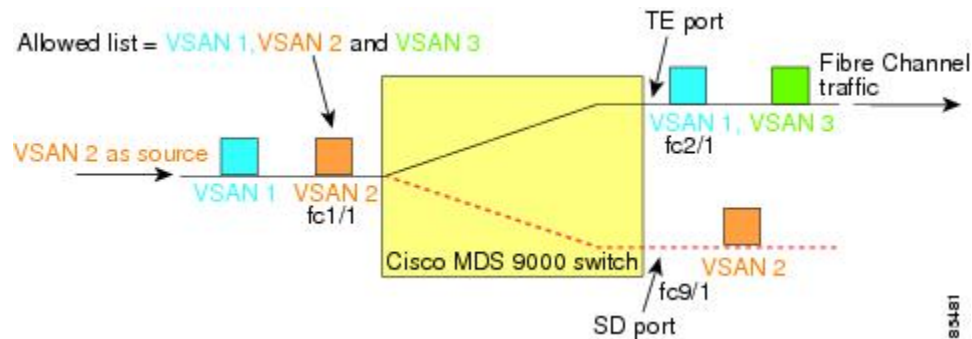
## Guidelines to Configure VSANs as a Source

The following guidelines apply when configuring VSANs as a source:

- Traffic on all interfaces included in a source VSAN is spanned only in the ingress direction.
- If a VSAN is specified as a source, you cannot perform interface-level SPAN configuration on the interfaces that are included in the VSAN. Previously configured SPAN-specific interface information is discarded.
- If an interface in a VSAN is configured as a source, you cannot configure that VSAN as a source. You must first remove the existing SPAN configurations on such interfaces before configuring VSAN as a source.
- Interfaces are only included as sources when the port VSAN matches the source VSAN. [Figure 26: VSAN as a Source, on page 295](#) displays a configuration using VSAN 2 as a source:

- All ports in the switch are in VSAN 1 except fc1/1.
- Interface fc1/1 is the TE port with port VSAN 2. VSANs 1, 2, and 3 are configured in the allowed list.
- VSAN 1 and VSAN 2 are configured as SPAN sources.

Figure 26: VSAN as a Source



For this configuration, the following apply:

- VSAN 2 as a source includes only the TE port fc1/1 that has port VSAN 2.
- VSAN 1 as a source does not include the TE port fc1/1 because the port VSAN does not match VSAN 1.

## Guidelines to Specifying Filters

The following guidelines apply to SPAN filters:

- PortChannel configurations are applied to all ports in the PortChannel.
- If no filters are specified, the traffic from all active VSANs for that interface is spanned by default.
- While you can specify arbitrary VSAN filters in a session, traffic can only be monitored on the port VSAN or on allowed-active VSANs in that interface.

## RSPAN Configuration Guidelines

The following guidelines apply for a SPAN configuration:

- All switches in the end-to-end path of the RSPAN tunnel must belong to the Cisco MDS 9000 Family.
- All VSANs with RSPAN traffic must be enabled. If a VSAN containing RSPAN traffic is not enabled, it is dropped.
- The following configurations must be performed on *each* switch in the end-to-end path of the Fibre Channel tunnel in which RSPAN is to be implemented:
  - Trunking must be enabled (enabled by default) and the trunk enabled link must be the lowest cost link in the path.
  - VSAN interface must be configured.
  - The Fibre Channel tunnel feature must be enabled (disabled by default).
  - IP routing must be enabled (disabled by default).



**Note** If the IP address is in the same subnet as the VSAN, the VSAN interface does not have to be configured for all VSANs on which the traffic is spanned.

- A single Fibre Channel switch port must be dedicated for the ST port functionality.
- Do not configure the port to be monitored as the ST port.
- The FC tunnel's IP address must reside in the same subnet as the VSAN interface.

## Default SPAN and RSPAN Settings

[Table 40: Default SPAN Configuration Parameters](#), on page 296 lists the default settings for SPAN parameters.

**Table 40: Default SPAN Configuration Parameters**

| Parameters                   | Default                                                                                                   |
|------------------------------|-----------------------------------------------------------------------------------------------------------|
| SPAN session                 | Active.<br><b>Note</b> For Cisco MDS 9700 Series Switches, the default value for Monitor session is Shut. |
| If filters are not specified | SPAN traffic includes traffic through a specific interface from all active VSANs.                         |
| Encapsulation                | Disabled.                                                                                                 |
| SD port                      | Output frame format is Fibre Channel.                                                                     |

[Table 41: Default RSPAN Configuration Parameters](#), on page 296 lists the default settings for RSPAN parameters.

**Table 41: Default RSPAN Configuration Parameters**

| Parameters        | Default                                 |
|-------------------|-----------------------------------------|
| FC tunnel         | Disabled                                |
| Explicit path     | Not configured                          |
| Minimum cost path | Used if explicit path is not configured |

## Configuring SPAN

The SPAN feature is specific to switches in the Cisco MDS 9000 Family. It monitors network traffic through a Fibre Channel interface.



# Configuring SD Ports for SPAN

## Configuring SD Port for SPAN Monitoring

To configure an SD port for SPAN monitoring, follow these steps:

### Procedure

---

- Step 1**    `switch# configure terminal`  
Enters configuration mode.
- Step 2**    `switch(config)# interface fc9/1`  
Configures the specified interface.
- Step 3**    `switch(config-if)# switchport mode SD`  
Configures the SD port mode for interface fc9/1.
- Step 4**    `switch(config-if)# switchport speed 1000`  
Configures the SD port speed to 1000 Mbps.
- Note**      In Cisco MDS 9700 Series Switches, the switch port speed is 8000 Mbps.
- Step 5**    `switch(config-if)# no shutdown`  
Enables traffic flow through this interface.
- 

## Configuring SPAN Session

To configure a SPAN session, follow these steps:

### Procedure

---

- Step 1**    `switch# configure terminal`  
Enters configuration mode.
- Step 2**    `switch(config)# span session 1`  
`switch(config-span)#`  
Configures the specified SPAN session (1). If the session does not exist, it is created.
- Note**      In Cisco MDS 9700 Series Switches, SPAN is replaced by Monitor.
- Step 3**    `switch(config)# no span session 1`  
Deletes the specified SPAN session (1).
- Step 4**    `switch(config-span)# destination interface fc9/1`

Configures the specified destination interface (fc 9/1) in a session.

**Step 5** switch(config-span)# **no destination interface fc9/1**

Removes the specified destination interface (fc 9/1).

**Step 6** switch(config-span)# **source interface fc7/1**

Configures the source (fc7/1) interface in both directions.

**Note** While configuring SPAN sources on the Cisco MDS 9124 Fabric Switch, the direction (Rx and Tx) needs to be explicitly mentioned.

**Step 7** switch(config-span)# **no source interface fc7/1**

Removes the specified destination interface (fc 7/1) from this session.

**Step 8** switch(config-span)# **source interface sup-fc0**

Configures the source interface (sup-fc0) in the session.

**Step 9** switch(config-span)# **source interface fc1/5 - 6, fc2/1 -3**

Configures the specified interface ranges in the session.

**Step 10** switch(config-span)# **source vsan 1-2**

Configures source VSANs 1 and 2 in the session.

**Step 11** switch(config-span)# **source interface port-channel 1**

Configures the source PortChannel (port-channel 1).

**Step 12** switch(config-span)# **source interface fcip 51**

Configures the source FCIP interface in the session.

**Step 13** switch(config-span)# **source interface iscsi 4/1**

Configures the source iSCSI interface in the session.

**Note** This is not applicable for MDS 9700 Series Switches.

**Step 14** switch(config-span)# **source interface svc1/1 tx traffic-type initiator**

Configures the source SVC interface in the Tx direction for an initiator traffic type.

**Note** This is not applicable for MDS 9700 Series Switches.

**Step 15** switch(config-span)# **no source interface port-channel 1**

Deletes the specified source interface (port-channel 1).

**Step 16** switch(config-span)# **shutdown**

Temporarily suspends the session.

**Note** This is applicable for MDS 9700 Series Switches.

## Configuring SPAN Filter

To configure a SPAN filter, follow these steps:

### Procedure

---

- Step 1** switch# **configure terminal**  
Enters configuration mode.
- Step 2** switch(config)# **span session 1**  
switch(config-span)#  
Configures the specified session (1).
- Note** In Cisco MDS 9700 Series Switches, SPAN is replaced by monitor session 1.
- Step 3** switch(config-span)# **source interface fc9/1 tx**  
Configures the source fc9/1 interface in the egress (Tx) direction.
- Step 4** switch(config-span)# **source filter vsan 1-2**  
Configures VSANs 1 and 2 as session filters.
- Step 5** switch(config-span)# **source interface fc7/1 rx**  
Configures the source fc7/1 interface in the ingress (Rx) direction.
- 

## Configuring SPAN for Generation 2 Fabric Switches

Cisco Generation 2 fabric switches (such as MDS 9124) support SPAN sessions in both directions, Rx and Tx.



**Note** While using Generation 2 fabric switches, you cannot create an additional active SPAN session when you already have one.

You can specify multiple SPAN source interfaces in Rx and Tx directions. However, the direction should be explicitly mentioned at the end of the command. The SPAN will reject any source interface configuration that fails to mention the direction.

---

## Configuring Ingress SPAN Sessions

To configure for ingress SPAN sessions, follow these steps:

### Procedure

---

- Step 1** switch# **configure terminal**

Enters configuration mode.

**Step 2** switch(config)# **span session 1**

switch(config-span)#

Configures the specified session (1).

**Step 3** switch(config-span)# **destination interface fc1/1**

Configures interface fc1/1 as the destination.

**Step 4** switch(config-span)# **source interface fc1/2 rx**

Configures the source interface fc1/2 in the ingress direction.

## Configuring Egress SPAN Session

To configure for egress SPAN sessions, follow these steps:

### Procedure

**Step 1** switch# **configure terminal**

Enters configuration mode.

**Step 2** switch(config)# **span session 1**

switch(config-span)#

Configures the specified session (1).

**Step 3** switch(config-span)# **destination interface fc1/1**

Configures interface fc1/1 as the destination.

**Step 4** switch(config-span)# **source interface fc1/2 tx**

Configures the source interface fc1/2 in the egress direction.

## Examples

This example shows how to configure Cisco MDS 9124 for Multiple SPAN Interfaces

```
switch(config-span) # span session 1
switch(config-span) # destination interface fc1/1
switch(config-span) # source interface fc1/2 rx
switch(config-span) # source interface fc1/2 tx
```

Generation 2 Fabric Switches support VSAN filters for one VSAN only in the egress direction; this restriction does not apply to the ingress direction. For example, if you have an interface that is a TE port, with an active VSAN of 1 to 5, and you specify a VSAN filter for VSAN 2, then only the traffic on VSAN 2 will be filtered.

```
switch(config-span)# span session 1
switch(config-span)# source filter vsan 2
switch(config-span)# destination interface fc1/1
switch(config-span)# source interface fc1/2 tx
```

However, if you specify the VSAN filter for VSANs 1 to 2, then traffic from all VSANs (1 to 5) is filtered, which makes the filter useless.

```
switch(config-span)# span session 1
switch(config-span)# source filter vsan 1-2
switch(config-span)# destination interface fc1/1
switch(config-span)# source interface fc1/2 tx
```

## Suspending and Reactivating SPAN Sessions

You can temporarily deactivate (suspend) any SPAN session. The traffic monitoring is stopped during this time.

To temporarily suspend or reactivate a SPAN session filter, follow these steps:

### Procedure

- 
- |               |                                                                                                                                  |
|---------------|----------------------------------------------------------------------------------------------------------------------------------|
| <b>Step 1</b> | <code>switch# <b>configure terminal</b></code><br>Enters configuration mode.                                                     |
| <b>Step 2</b> | <code>switch(config)# <b>span session 1</b></code><br><code>switch(config-span)#</code><br>Configures the specified session (1). |
| <b>Step 3</b> | <code>switch(config-span)# <b>suspend</b></code><br>Temporarily suspends the session.                                            |
| <b>Step 4</b> | <code>switch(config-span)# <b>no suspend</b></code><br>Reactivates the session.                                                  |
- 

## Encapsulating Frames

The frame encapsulation feature is disabled by default. If you enable the encapsulation feature, all outgoing frames are encapsulated.

The **switchport encap eisl** command only applies to SD port interfaces. If encapsulation is enabled, you see a new line ( Encapsulation is eisl ) in the **show interface *SD\_port\_interface*** command output.

To encapsulate outgoing frames (optional), follow these steps:

### Procedure

---

- Step 1** switch# **configure terminal**  
Enters configuration mode.
- Step 2** switch(config)# **interface fc9/32**  
Configures the specified interface.
- Step 3** switch(config-if)# **switchport mode SD**  
Configures the SD port mode for interface fc9/32.
- Step 4** switch(config-if)# **switchport encap eisl**  
Enables the encapsulation option for this SD port.
- Step 5** switch(config-if)# **no switchport encap eisl**  
Disables (default) the encapsulation option.
- 

## Configuring Fibre Channel Analyzers Using SPAN

To configure SPAN on the source and destination interfaces, follow these steps:

### Procedure

---

- Step 1** switch# **configure terminal**  
Enters configuration mode.
- Step 2** switch(config)# **span session 1**  
switch(config-span)#  
Creates the SPAN session 1.
- Step 3** switch(config-span)## **destination interface fc2/1**  
Configures the destination interface fc2/1.
- Step 4** switch(config-span)# **source interface fc1/1 rx**  
Configures the source interface fc1/1 in the ingress direction.
- Step 5** switch(config)# **span session 2**  
switch(config-span)#  
Creates the SPAN session 2.
- Step 6** switch(config-span)## **destination interface fc2/2**  
Configures the destination interface fc2/2.

- Step 7**      `switch(config-span)# source interface fc1/1 tx`  
Configures the source interface fc1/1 in the egress direction.
- 

To configure Fibre Channel Analyzers using SPAN for the example in , follow these steps:

#### Procedure

---

- Step 1**      Configure SPAN on interface fc1/1 in the ingress (Rx) direction to send traffic on SD port fc2/1 using session 1.
- Step 2**      Configure SPAN on interface fc1/1 in the egress (Tx) direction to send traffic on SD port fc2/2 using session 2.
- Step 3**      Physically connect fc2/1 to port 1 on the Fibre Channel analyzer.
- Step 4**      Physically connect fc2/2 to port 2 on the Fibre Channel analyzer.
- 

## Configuring Single SD Port to Monitor Traffic

To configure SPAN on a single SD port, follow these steps:

#### Procedure

---

- Step 1**      `switch# configure terminal`  
Enters configuration mode.
- Step 2**      `switch(config)# span session 1`  
`switch(config-span)#`  
Creates the SPAN session 1.
- Step 3**      `switch(config-span)## destination interface fc2/1`  
Configures the destination interface fc2/1.
- Step 4**      `switch(config-span)# source interface fc1/1`  
Configures the source interface fc1/1 on the same SD port.
- 

## Configuring the Source Switch

This section identifies the tasks that must be performed in the source switch (Switch S):

## Creating VSAN Interfaces

To create a VSAN interface in the source switch for the scenario in , follow these steps:

### Procedure

---

- Step 1** switchS# **configure terminal**  
Enters configuration mode.
- Step 2** switchS(config)# **interface vsan 5**  
switchS(config-if)#  
Configures the specified VSAN interface (VSAN 5) in the source switch (switch S).
- Step 3** switchS(config-if)# **ip address 10.10.10.1 255.255.255.0**  
Configures the IPv4 address and subnet for the VSAN interface 5 in the source switch (switch S).
- Step 4** switchS(config-if)# **no shutdown**  
Enables traffic flow through this interface.
- 

## Enabling FC Tunnels



- Note**
- FC tunnels do not work over nontrunking ISLs.
  - The interface cannot be operationally up until the FC tunnel mapping is configured in the destination switch.
- 

To enable the FC tunnel feature, follow these steps:

### Procedure

---

- Step 1** switchS# **configure terminal**  
Enters configuration mode.
- Step 2** switchS(config)# **fc-tunnel enable**  
Enables the FC tunnel feature (disabled by default).
- Note** Be sure to enable this feature in each switch in the end-to-end path in the fabric.
-



## Initiating the FC Tunnel

To initiate the FC tunnel in the source switch for the scenario in , follow these steps:

### Procedure

---

- Step 1** switchS# **configure terminal**  
Enters configuration mode.
- Step 2** switchS(config)# **interface fc-tunnel 100**  
switchS(config-if)#  
Initiates the FC tunnel (100) in the source switch (switch S). The tunnel IDs range from 1 to 255.
- Step 3** switchS(config-if)# **source 10.10.10.1**  
Maps the IPv4 address of the source switch (switch S) to the FC tunnel (100).
- Step 4** switchS(config-if)# **destination 10.10.10.2**  
Maps the IPv4 address of the destination switch (switch D) to the FC tunnel (100).
- Step 5** switchS(config-if)# **no shutdown**  
Enables traffic flow through this interface.
- 

## Configuring the ST Port



---

**Note** ST ports cannot be configured using Storage Services Modules (SSMs).

---

To configure an ST port, follow these steps:

### Procedure

---

- Step 1** switchS# **configure terminal**  
Enters configuration mode.
- Step 2** switchS(config)# **interface fc2/1**  
Configures the specified interface.
- Step 3** switchS(config-if)# **switchport mode ST**  
Configures the ST port mode for interface fc2/1.
- Step 4** switchS(config-if)# **switchport speed 2000**

Configures the ST port speed to 2000 Mbps.

**Step 5** switchS(config-if)# **rspan-tunnel interface fc-tunnel 100**  
Associates and binds the ST port with the RSPAN tunnel (100).

**Step 6** switchS(config-if)# **no shutdown**  
Enables traffic flow through this interface.

---

## Configuring an RSPAN Session

A RSPAN session is similar to a SPAN session, with the destination interface being an RSPAN tunnel. To configure an RSPAN session in the source switch for the scenario in , follow these steps:

### Procedure

---

- Step 1** switchS# **configure terminal**  
Enters configuration mode.
- Step 2** switchS(config)# **span session 2**  
switchS(config-span)#  
Configures the specified SPAN session (2). If the session does not exist, it is created. The session ID ranges from 1 to 16.
- Step 3** switchS(config-span)# **destination interface fc-tunnel 100**  
Configures the specified RSPAN tunnel (100) in a session.
- Step 4** switchS(config-span)# **source interface fc1/1**  
Configures the source interface (fc1/1) for this session and spans the traffic from interface fc1/1 to RSPAN tunnel 100.
- 

## Configuring All Intermediate Switches

This section identifies the tasks that must be performed in all intermediate switches in the end-to-end path of the RSPAN tunnel:

## Configuring VSAN Interfaces

depicts an RSPAN tunnel configuration terminating in the destination switch (Switch D).



---

**Note** This example assumes that VSAN 5 is already configured in the VSAN database.

---

To create a VSAN interface in the destination switch for the scenario in , follow these steps:

#### Procedure

---

- Step 1** switchD# **configure terminal**  
Enters configuration mode.
- Step 2** switchD(config)# **interface vsan 5**  
switchD(config-if)#  
Configures the specified VSAN interface (VSAN 5) in the destination switch (Switch D).
- Step 3** switchD(config-if)# **ip address 10.10.10.2 255.255.255.0**  
Configures the IPv4 address and subnet for the VSAN interface in the destination switch (Switch D).
- Step 4** switchD(config-if)# **no shutdown**  
Enables traffic flow to administratively allow traffic (provided the operational state is up).
- 

## Enabling IP Routing

The IP routing feature is disabled by default. Be sure to enable IP routing in each switch (including the source and destination switches) in the end-to-end path in the fabric. This procedure is required to set up the FC tunnel.

## Configuring the Destination Switch

This section identifies the tasks that must be performed in the destination switch (Switch D):

### Configuring VSAN Interfaces

depicts an RSPAN tunnel configuration terminating in the destination switch (Switch D).



---

**Note** This example assumes that VSAN 5 is already configured in the VSAN database.

---

## Configuring the SD Port



**Note** SD ports cannot be configured using Storage Services Modules (SSMs).

To configure an SD port for the scenario in , follow these steps:

### Procedure

- 
- Step 1** switchD# **configure terminal**  
Enters configuration mode.
- Step 2** switchD(config)# **interface fc2/1**  
Configures the specified interface.
- Step 3** switchD(config-if)# **switchport mode SD**  
Configures the SD port mode for interface fc2/1.
- Step 4** switchD(config-if)# **switchport speed 2000**  
Configures the SD port speed to 2000 Mbps.
- Step 5** switchD(config-if)# **no shutdown**  
Enables traffic flow through this interface.
- 

## Mapping the FC Tunnel

To terminate the FC tunnel in the destination switch for the scenario in , follow these steps:

### Procedure

- 
- Step 1** switchD# **configure terminal**  
Enters configuration mode.
- Step 2** switchD(config)# **fc-tunnel tunnel-id-map 100 interface fc2/1**  
Terminates the FC tunnel (100) in the destination switch (switch D). The tunnel ID range is from 1 to 255.
- 

## Creating Explicit Paths

To create an explicit path for the scenario in , follow these steps:

### Before you begin

The explicit path must be created in the source switch. To configure an explicit path, you must first create the path and then configure the use of any one path. If an explicit path is not configured, the minimum cost path is used by default. If an explicit path is configured and is functioning, the specified path is used.

### Procedure

---

- Step 1** switchS# **configure terminal**  
Enters configuration mode.
- Step 2** switchS(config)# **fc-tunnel explicit-path Path1**  
switch(config-explicit-path)#  
Places you at the explicit path prompt for the path named Path 1.
- Step 3** switchS(config-explicit-path)# **next-address 10.10.10.2 strict**  
switchS(config-explicit-path)# **next-address 10.10.10.3 strict**  
switchS(config-explicit-path)# **next-address 10.10.10.4 strict**  
Specifies that the next hop VSAN interface IPv4 addresses and the previous hops specified in the explicit path do not require direct connection.
- Step 4** switchS(config)# **fc-tunnel explicit-path Path2**  
switch(config-explicit-path)#  
Places you at the explicit path prompt for Path2.
- Step 5** switchS(config-explicit-path)# **next-address 10.10.10.5 strict**

#### Example:

```
switchS(config-explicit-path)# next-address 10.10.10.4 strict
```

Specifies that the next hop VSAN interface IPv4 addresses and the previous hops specified in the explicit path do not require direct connection.

- Step 6** switchS(config)# **fc-tunnel explicit-path Path3**  
switch(config-explicit-path)#  
Places you at the explicit path prompt for Path3.
- Step 7** switchS(config-explicit-path)# **next-address 10.10.10.3 loose**  
Configures a minimum cost path in which the 10.10.10.3 IPv4 address exists.

**Note** In , Path 3 is the same as Path 1—10.10.10.3 exists in Path 1. Using the **loose** option, you can achieve the same effect with one command instead of issuing three commands (using the **strict** option) in Step 3.

---

## Referencing the Explicit Path

To reference the explicit path, follow these steps:

### Procedure

- 
- Step 1** switchS# **configure terminal**  
Enters configuration mode.
- Step 2** switchS(config)# **interface fc-tunnel 100**  
References the tunnel ID for Path1.
- Step 3** switchS(config)# **explicit-path Path1**  
Links Path1 to the tunnel ID.

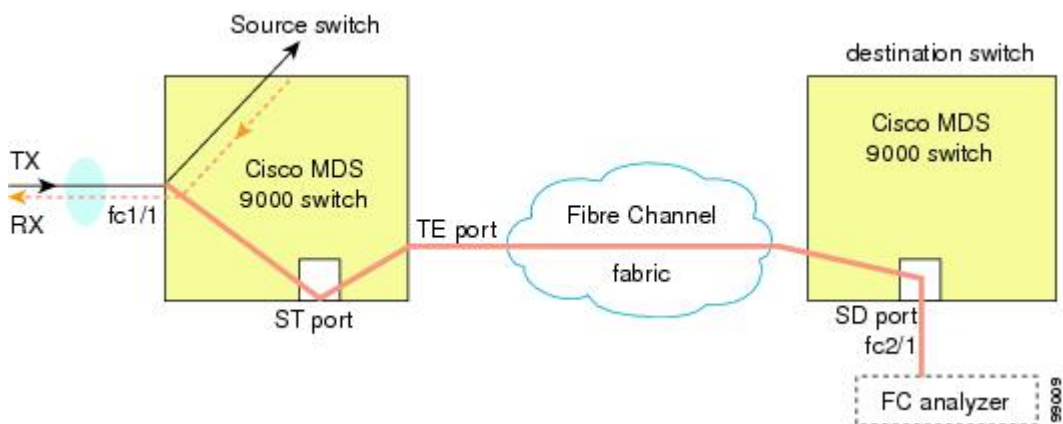
This configuration explicitly specifies Path 1 to be used for the RSPAN traffic. Refer to RFC 3209 for further details on explicit paths and source-based routing.

---

## Monitoring RSPAN Traffic

Once the session is configured, other SPAN sources for this session can also be configured as required. [Figure 27: Fibre Channel Analyzer Using a Single SD Port to Monitor RSPAN Traffic, on page 310](#) shows an RSPAN setup where one session with destination port fc2/1 and source interface fc1/1 is used to capture traffic in both ingress and egress directions.

**Figure 27: Fibre Channel Analyzer Using a Single SD Port to Monitor RSPAN Traffic**



To use this setup, the analyzer should have the capability of distinguishing ingress and egress traffic for all captured frames.

## Verifying SPAN Configuration

To display the SPAN configuration information, perform one of the following tasks:

| Command                             | Purpose                                                                                                                                                                               |
|-------------------------------------|---------------------------------------------------------------------------------------------------------------------------------------------------------------------------------------|
| <b>show span</b>                    | Displays SPAN Sessions in a Brief Format<br><b>Note</b> In Cisco MDS 9700 Series Switches, <b>show span</b> command is replaced by <b>show monitor</b> command.                       |
| <b>show span session 7</b>          | Displays a Specific SPAN Session in Detail<br><b>Note</b> In Cisco MDS 9700 Series Switches, <b>show span session 7</b> command is replaced by <b>show monitor session 7</b> command. |
| <b>show span session</b>            | Displays ALL SPAN Sessions<br><b>Note</b> In Cisco MDS 9700 Series Switches, <b>show span session</b> command is replaced by <b>show monitor session all</b> command.                 |
| <b>show int fc9/32</b>              | Displays an SD Port Interface with Encapsulation Enabled                                                                                                                              |
| <b>show interface brief</b>         | Displays ST Port Interface Information                                                                                                                                                |
| <b>show interface fc1/11</b>        | Displays Detailed Information for the ST Port Interface                                                                                                                               |
| <b>show fc-tunnel</b>               | Displays the FC Tunnel Status                                                                                                                                                         |
| <b>show fc-tunnel tunnel-id-map</b> | Displays FC Tunnel Egress Mapping Information                                                                                                                                         |
| <b>show fc-tunnel explicit-path</b> | Displays FC Tunnel Explicit Mapping Information                                                                                                                                       |
| <b>show interface fc-tunnel 200</b> | Displays the FC Tunnel Interface                                                                                                                                                      |

For detailed information about the fields in the output from these commands, refer to the *Cisco MDS 9000 Family Command Reference*.

## Displaying SPAN Information

Use the **show span** command to display configured SPAN information. See the following examples:

### SPAN Sessions in a Brief Format

The following example displays SPAN sessions in a brief format:

```
switch# show span session brief

Session Admin Oper Destination
 State State Interface

 7 no suspend active fc2/7
 1 suspend inactive not configured
 2 no suspend inactive fc3/1
```

### Specified SPAN Session in Detail

The following example displays a specific SPAN session in detail:

```
switch# show span session 7
Session 7 (active)
 Destination is fc2/7
 No session filters configured
 No ingress (rx) sources
 Egress (tx) sources are
 port-channel 7,
```

### ALL SPAN Sessions

The following example displays ALL SPAN Sessions:

```
switch# show span session
Session 1 (inactive as no destination)
 Destination is not specified
 Session filter vsans are 1
 No ingress (rx) sources
 No egress (tx) sources
Session 2 (active)
 Destination is fc9/5
 No session filters configured
 Ingress (rx) sources are
 vsans 1
 No egress (tx) sources
Session 3 (admin suspended)
 Destination is not configured
 Session filter vsans are 1-20
 Ingress (rx) sources are
 fc3/2, fc3/3, fc3/4, fcip 51,
 port-channel 2, sup-fc0,
 Egress (tx) sources are
 fc3/2, fc3/3, fc3/4, sup-fc0,
```

### SD Port Interface with Encapsulation Enabled

The following example displays SD Port Interface with Encapsulation Enabled

```
switch# show int fc9/32
fc9/32 is up
 Hardware is Fibre Channel
 Port WWN is 22:20:00:05:30:00:49:5e
 Admin port mode is SD
 Port mode is SD
 Port vsan is 1
 Speed is 1 Gbps
 Receive Buffer Size is 2112
 Encapsulation is eisl
<-----
Displays the enabled encapsulation status
 Beacon is turned off
 5 minutes input rate 0 bits/sec, 0 bytes/sec, 0 frames/sec
 5 minutes output rate 0 bits/sec, 0 bytes/sec, 0 frames/sec
```



```

0 frames input, 0 bytes, 0 discards
 0 CRC, 0 unknown class
 0 too long, 0 too short
0 frames output, 0 bytes, 0 discards
0 input OLS, 0 LRR, 0 NOS, 0 loop inits

```

0 output OLS, 0 LRR, 0 NOS, 0 loop inits

## Displaying RSPAN Information

Use the **show** commands to display configured RSPAN information. See the following examples:

### ST Port Interface Information

The following example displays ST Port Interface information:

```
switch# show interface brief
```

```

Interface Vsan Admin Admin Status Oper Oper Port-channel
 Mode Trunk Mode
 Mode

fc1/1 1 auto on trunking TE 2 --
...
fc1/14 1 auto on trunking TE 2 --
fc1/15 1 ST on up ST 2 --
...
fc2/9 1 auto on trunking TE 2 port-channel 21
fc2/10 1 auto on trunking TE 2 port-channel 21
...
fc2/13 999 auto on up F 1 --
fc2/14 999 auto on up FL 1 --
fc2/15 1 SD -- up SD 2 --
fc2/16 1 auto on trunking TE 2 --

Interface Status Speed
 (Gbps)

sup-fc0 up 1

Interface Status IP Address Speed MTU

mgmt0 up 172.22.36.175/22 100 Mbps 1500

Interface Status IP Address Speed MTU--

vsan5 up 10.10.10.1/24 1 Gbps 1500

Interface Vsan Admin Admin Status Oper Oper
 Mode Trunk Mode
 Mode

port-channel 21 1 on trunking TE 4

Interface Status Dest IP Addr Src IP Addr TID Explicit Path

fc-tunnel 100 up 10.10.10.2 10.10.10.1 100

```

### Detailed Information for the ST Port Interface

The following example displays detailed information for the ST port interface:

```
switch# show interface fc1/11
fc1/11 is up
 Hardware is Fibre Channel
 Port WWN is 20:0b:00:05:30:00:59:de
 Admin port mode is ST
 Port mode is ST
 Port vsan is 1
 Speed is 1 Gbps
 Rspan tunnel is fc-tunnel 100
 Beacon is turned off
 5 minutes input rate 248 bits/sec, 31 bytes/sec, 0 frames/sec
 5 minutes output rate 176 bits/sec, 22 bytes/sec, 0 frames/sec
 6862 frames input, 444232 bytes
 0 discards, 0 errors
 0 CRC, 0 unknown class
 0 too long, 0 too short
 6862 frames output, 307072 bytes
 0 discards, 0 errors
 0 input OLS, 0 LRR, 0 NOS, 0 loop inits
 0 output OLS, 0 LRR, 0 NOS, 0 loop inits
```

### FC Tunnel Status

The following example displays FC tunnel status:

```
switch# show fc-tunnel
fc-tunnel is enabled
```

### FC Tunnel Egress Mapping Information

The following example displays FC tunnel egress mapping information:

```
switch# show fc-tunnel tunnel-id-map
tunnel id egress interface
 150 fc3/1
 100 fc3/1
```




---

**Note** Multiple tunnel IDs can terminate at the same interface.

---

### FC Tunnel Explicit Mapping Information

The following example displays FC tunnel mapping information:

```
switch# show fc-tunnel explicit-path
Explicit path name: Alternatel
 10.20.1.2 loose
```

```
10.20.1.3 strict
Explicit path name: User2
10.20.50.1 strict
10.20.50.4 loose
```

### SPAN Mapping Information

The following example displays the SPAN mapping information

```
switch# show span session
Session 2 (active)
 Destination is fc-tunnel 100
 No session filters configured
 Ingress (rx) sources are
 fc2/16,
 Egress (tx) sources are
 fc2/16,
```

### FC Tunnel Interface

The following example displays the FC Tunnel Interface:

```
switch# show interface fc-tunnel 200
fc-tunnel 200 is up
Dest IP Addr: 200.200.200.7 Tunnel ID: 200
Source IP Addr: 200.200.200.4 LSP ID: 1
Explicit Path Name:
```

## Configuration Examples for RSPAN



---

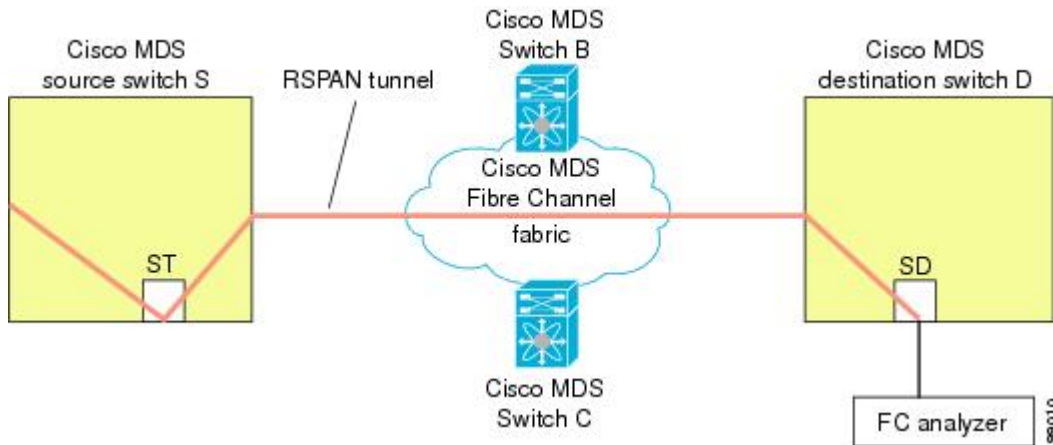
**Note** RSPAN can be combined with the local SPAN feature so SD ports forward local SPAN traffic along with remote SPAN traffic. Various SPAN source and tunnel scenarios are described in this section.

---

### Single Source with One RSPAN Tunnel

The source Switch S and the destination Switch D are interconnected through a Fibre Channel fabric. An RSPAN tunnel is configured as a destination interface for the SPAN session and the ST port forwards SPAN traffic through the RSPAN tunnel(see [Figure 28: RSPAN Scenario with One Source Switch, One Destination Switch, and One Tunnel, on page 316](#)).

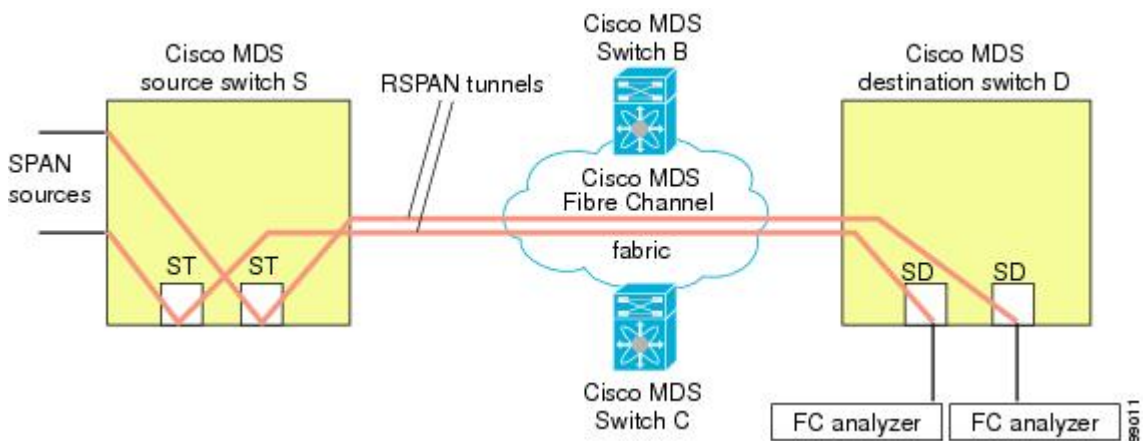
Figure 28: RSPAN Scenario with One Source Switch, One Destination Switch, and One Tunnel



## Single Source with Multiple RSPAN Tunnels

[Single Source with Multiple RSPAN Tunnels](#), on page 316 displays two separate RSPAN tunnels configured between Switches S and N. Each tunnel has an associated ST port in the source switch and a separate SD port in the destination switch. This configuration is useful for troubleshooting purposes.

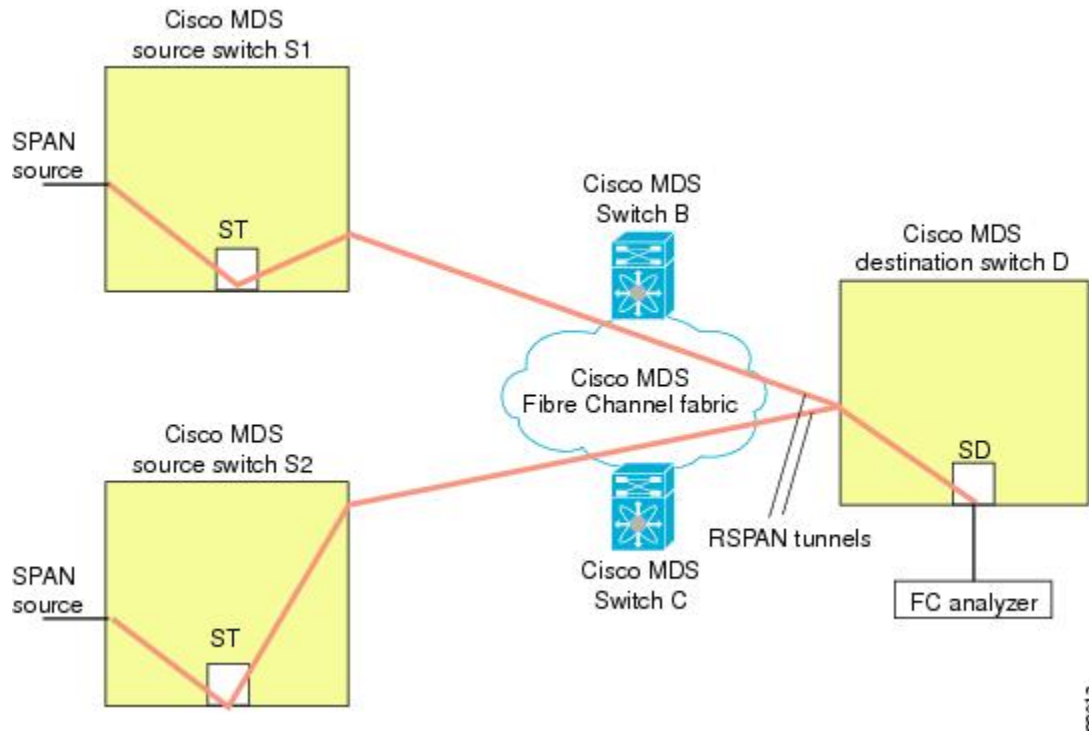
Figure 29: RSPAN Scenario with One Source Switch, One Destination Switch, and Multiple Tunnels



## Multiple Sources with Multiple RSPAN Tunnels

[Figure 30: RSPAN Scenario with Two Source Switches, a Destination Switch, and Multiple Tunnels](#), on page 317 displays two separate RSPAN tunnels configured between Switches S1 and S2. Both tunnels have an associated ST port in their respective source switch and terminate in the same SD port in the destination switch.

Figure 30: RSPAN Scenario with Two Source Switches, a Destination Switch, and Multiple Tunnels



This configuration is useful for remote monitoring purposes. For example, the administrator may be at the destination switch and can remotely monitor the two source switches.





## CHAPTER 16

# Configuring Fabric Configuration Server

This chapter describes the Fabric Configuration Server (FCS) feature provided in the Cisco MDS 9000 Family of directors and switches.

- [Information About FCS, on page 319](#)
- [Default Settings, on page 321](#)
- [Configuring FCS, on page 321](#)
- [Verifying FCS Configuration, on page 323](#)
- [Additional References, on page 326](#)

## Information About FCS

The Fabric Configuration Server (FCS) provides discovery of topology attributes and maintains a repository of configuration information of fabric elements. A management application is usually connected to the FCS on the switch through an N port. The FCS views the entire fabric based on the following objects:

- Interconnect element (IE) object—Each switch in the fabric corresponds to an IE object. One or more IE objects form a fabric.
- Port object—Each physical port in an IE corresponds to a port object. This includes the switch ports (xE, Fx, and TL ports) and their attached Nx ports.
- Platform object—A set of nodes may be defined as a platform object to make it a single manageable entity. These nodes are end-devices (host systems, storage subsystems) attached to the fabric. Platform objects reside at the edge switches of the fabric.

Each object has its own set of attributes and values. A null value may also be defined for some attributes.

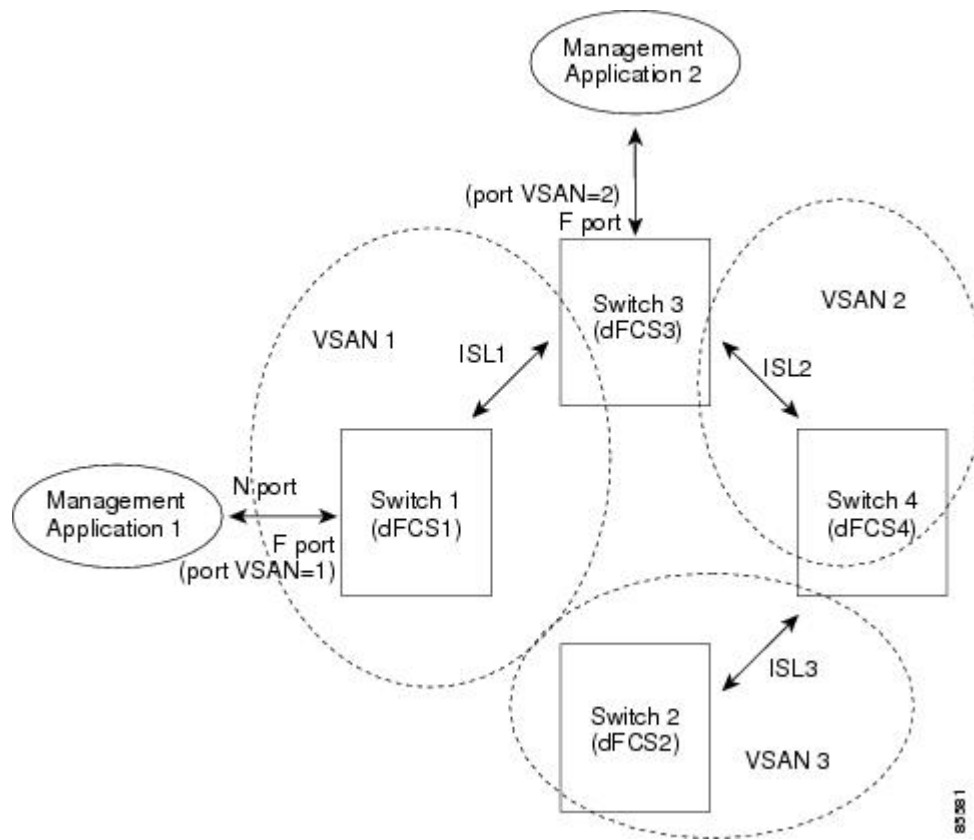
In the Cisco MDS 9000 Family switch environment, multiple VSANs constitute a fabric, where one instance of the FCS is present per VSAN.

As of Cisco NX-OS Release 4.1(1), FCS supports the discovery of virtual devices. The **fcs virtual-device-add** command, issued in FCS configuration submode, allows you to discover virtual devices in a particular VSAN or in all VSANs. The devices that are zoned for IVR must be discovered with this command and have request domain\_ID (RDI) enabled, before activating the IVR zone set.

If you have attached a management application to a switch, all the frames directed towards the FCS in the switch are part of the port VSAN in the switch port (Fx port). Your view of the management application is limited only to this VSAN. However, information about other VSANs that this switch is part of can be obtained either through the SNMP or CLI.

In [Figure 31: FCSs in a VSAN Environment, on page 320](#) Management Application 1 (M1) is connected through an F port with port VSAN ID 1, and Management Application 2 (M2) is connected through an F port with port VSAN ID 2. M1 can query the FCS information of switches S1 and S3, and M2 can query switches S3 and S4. Switch S2 information is not known to both of them. FCS operations can be done only on those switches that are visible in the VSAN. Note that M2 can send FCS requests only for VSAN 2 even though S3 is also a part of VSAN 1.

**Figure 31: FCSs in a VSAN Environment**



## Significance of FCS

This section lists the significance of FCSs.

- FCSs support network management including the following:
  - N port management application can query and obtain information about fabric elements.
  - SNMP manager can use the FCS management information base (MIB) to start discovery and obtain information about the fabric topology.
- FCSs support TE and TL ports in addition to the standard F and E ports.
- FCS can maintain a group of modes with a logical name and management address when a platform registers with it. FCSs maintain a backup of all registrations in secondary storage and update it with every change. When a restart or switchover happens, FCSs retrieve the secondary storage information and rebuild its database.
- SNMP manager can query FCSs for all IEs, ports, and platforms in the fabric.



## Default Settings

Table 42: Default FCS Settings , on page 321 lists the default FCS settings.

Table 42: Default FCS Settings

| Parameters                           | Default   |
|--------------------------------------|-----------|
| Global checking of the platform name | Disabled. |
| Platform node type                   | Unknown.  |

## Configuring FCS

The Fabric Configuration Server (FCS) provides discovery of topology attributes and maintains a repository of configuration information of fabric elements.

### Specifying a FCS Name

You can specify if the unique name verification is for the entire fabric (globally) or only for locally (default) registered platforms.



**Note** Set this command globally only if all switches in the fabric belong to the Cisco MDS 9000 Family.

To enable global checking of the platform name, follow these steps:

#### Procedure

- 
- Step 1** switch# **configure terminal**  
Enters configuration mode.
- Step 2** switch(config)# **fcs plat-check-global vsan 1**  
Enables global checking of the platform name.
- Step 3** switch(config)# **no fcs plat-check-global vsan 1**  
Disables (default) global checking of the platform name.
- 

### Registering Platform Attributes

To register platform attributes, follow these steps:

## Procedure

---

- Step 1** switch# **configure terminal**  
Enters configuration mode.
- Step 2** switch(config)# **fcs register**  
switch(config-fcs-register)#  
Enters the FCS registration submode.
- Step 3** switch(config-fcs-register)# **platform name SamplePlatform vsan 1**  
switch(config-fcs-register-attrib)#  
Enters the FCS registration attributes submode.
- Step 4** switch(config-fcs-register)# **no platform name SamplePlatform vsan 1**  
switch(config-fcs-register)#  
Deletes a registered platform.
- Step 5** switch(config-fcs-register-attrib)# **mgmt-addr 1.1.1.1**  
Configures the platform management IPv4 address.
- Step 6** switch(config-fcs-register-attrib)# **no mgmt-addr 1.1.1.1**  
Deletes the platform management IPv4 address.
- Step 7** switch(config-fcs-register-attrib)# **mgmt-addr 2001:0DB8:800:200C::417A**  
Configures the platform management IPv6 address.
- Step 8** switch(config-fcs-register-attrib)# **no mgmt-addr 2001:0DB8:800:200C::417A**  
Deletes the platform management IPv6 address.
- Step 9** switch(config-fcs-register-attrib)# **nwwn 11:22:33:44:55:66:77:88**  
Configures the platform node name.
- Step 10** switch(config-fcs-register-attrib)# **no nwwn 11:22:33:44:55:66:77:88**  
Deletes the platform node name.
- Step 11** switch(config-fcs-register-attrib)# **type 5**  
Configures the fc-gs-3 defined platform type.
- Step 12** switch(config-fcs-register-attrib)# **no type 5**  
Deletes the configured type and reverts the switch to its factory default of unknown type.
- Step 13** switch(config-fcs-register-attrib)# **exit**  
Exits the FCS registration attributes submode.
- Step 14** switch(config-fcs-register)# **exit**

Exits the FCS registration submode.

## Verifying FCS Configuration

To display the FCS configuration information, perform one of the following tasks:

| Command                                                   | Purpose                                                              |
|-----------------------------------------------------------|----------------------------------------------------------------------|
| <b>show fcs database</b>                                  | Displays FCS Local Database Information.                             |
| <b>show fcs ie vsan 1</b>                                 | Displays a List of All IEs for a Specific VSAN.                      |
| <b>show fcs ie nwwn 20:01:00:05:30:00:16:df vsan 1</b>    | Displays Interconnect Element Object Information for a Specific nWWN |
| <b>show fcs platform name SamplePlatform vsan 1</b>       | Displays Information for a Specific Platform                         |
| <b>show fcs platform vsan 1</b>                           | Displays a List of Platforms for a Specified VSAN                    |
| <b>show fcs port vsan 24</b>                              | Displays a List of Switch Ports in a Specified VSAN                  |
| <b>show fcs port pwwn 20:51:00:05:30:00:16:de vsan 24</b> | Displays Port Information for a Specified pWWN                       |
| <b>show fcs statistics</b>                                | Displays FCS Statistics                                              |
| <b>show fcs vsan</b>                                      | Displays Platform Settings for Each VSAN                             |

For detailed information about the fields in the output from these commands, refer to the *Cisco MDS 9000 Family Command Reference*.

## Displaying FCS Elements

Use the **show fcs** commands to display the status of the WWN configuration (see Example [FCS Local Database Information, on page 323](#) to [Platform Settings for Each VSAN, on page 326](#)).

### FCS Local Database Information

The following example displays FCS local database information:

```
switch# show fcs database
FCS Local Database in VSAN: 1

Switch WWN : 20:01:00:05:30:00:16:df
Switch Domain Id : 0x7f(127)
Switch Mgmt-Addresses : snmp://172.22.92.58/eth-ip
 : http://172.22.92.58/eth-ip
Fabric-Name : 20:01:00:05:30:00:16:df
Switch Logical-Name : 172.22.92.58
Switch Information List : [Cisco Systems*DS-C9509*0*20:00:00:05:30:00
```

Switch Ports:

```

Interface pWWN Type Attached-pWWNs

fc2/1 20:41:00:05:30:00:16:de TE 20:01:00:05:30:00:20:de
fc2/2 20:42:00:05:30:00:16:de Unknown None
fc2/17 20:51:00:05:30:00:16:de TE 20:0a:00:05:30:00:20:de

```

FCS Local Database in VSAN: 5

```

Switch WWN : 20:05:00:05:30:00:12:5f
Switch Domain Id : 0xef(239)
Switch Mgmt-Addresses : http://172.22.90.171/eth-ip
 : snmp://172.22.90.171/eth-ip
 : http://10.10.15.10/vsan-ip
 : snmp://10.10.15.10/vsan-ip
Fabric-Name : 20:05:00:05:30:00:12:5f
Switch Logical-Name : 172.22.90.171
Switch Information List : [Cisco Systems*DS-C9509**20:00:00:05:30:00:12:5e]
Switch Ports:

```

```

Interface pWWN Type Attached-pWWNs

fc3/1 20:81:00:05:30:00:12:5e TE 22:01:00:05:30:00:12:9e
fc3/2 20:82:00:05:30:00:12:5e TE 22:02:00:05:30:00:12:9e
fc3/3 20:83:00:05:30:00:12:5e TE 22:03:00:05:30:00:12:9e

```

### List of All IEs for a Specific VSAN

The following example displays list of all IEs for a specific VSAN:

```
switch# show fcs ie vsan 1
IE List for VSAN: 1

IE-WWN IE-Type Mgmt-Id

20:01:00:05:30:00:16:df Switch (Local) 0xfffc7f
20:01:00:05:30:00:20:df Switch (Adjacent) 0xfffc64
[Total 2 IEs in Fabric]
```

### Interconnect Element Object Information for a Specific nWWN

The following example displays interconnect element object information for a specific nWWN:

```
switch# show fcs ie nwnn 20:01:00:05:30:00:16:df vsan 1
IE Attributes

Domain-Id = 0x7f(127)
Management-Id = 0xfffc7f
Fabric-Name = 20:01:00:05:30:00:16:df
Logical-Name = 172.22.92.58
Management Address List =
 snmp://172.22.92.58/eth-ip
 http://172.22.92.58/eth-ip
Information List:
 Vendor-Name = Cisco Systems
 Model Name/Number = DS-C9509
 Release-Code = 0
```

### Information for a Specific Platform

The following example displays information for a specific platform:

```
switch# show fcs platform name SamplePlatform vsan 1
Platform Attributes

Platform Node Names:
 11:22:33:44:55:66:77:88
Platform Type = Gateway
Platform Management Addresses:
 1.1.1.1
```

### List of Platforms for a Specified VSAN

The following example displays list of platforms for a specified VSAN:

```
switch# show fcs platform vsan 1
Platform List for VSAN: 1
Platform-Names

SamplePlatform
[Total 1 Platforms in Fabric]
```

### List of Switch Ports in a Specified VSAN

The following example displays a list of switch ports in a specified VSAN:

```
switch# show fcs port vsan 24
Port List in VSAN: 24
 -- IE WWN: 20:18:00:05:30:00:16:df --

Port-WWN Type Module-Type Tx-Type

20:41:00:05:30:00:16:de TE_Port SFP with Serial Id Shortwave Laser
20:51:00:05:30:00:16:de TE_Port SFP with Serial Id Shortwave Laser
[Total 2 switch-ports in IE]
 -- IE WWN: 20:18:00:05:30:00:20:df --

Port-WWN Type Module-Type Tx-Type

20:01:00:05:30:00:20:de TE_Port SFP with Serial Id Shortwave Laser
20:0a:00:05:30:00:20:de TE_Port SFP with Serial Id Shortwave Laser
[Total 2 switch-ports in IE]
```

### Port Information for a Specified pWWN

The following example displays port information for a specified pWWN:

```
switch# show fcs port pwnn 20:51:00:05:30:00:16:de vsan 24
Port Attributes

Port Type = TE_Port
Port Number = 0x1090000
```

```
Attached-Port-WWNs:
 20:0a:00:05:30:00:20:de
Port State = Online
```

### FCS Statistics

The following example displays FCS statistics:

```
switch# show fcs statistics
FCS Statistics for VSAN: 1

FCS Rx Get Reqs :2
FCS Tx Get Reqs :7
FCS Rx Reg Reqs :0
FCS Tx Reg Reqs :0
FCS Rx Dereg Reqs :0
FCS Tx Dereg Reqs :0
FCS Rx RSCNs :0
...
FCS Statistics for VSAN: 30

FCS Rx Get Reqs :2
FCS Tx Get Reqs :2
FCS Rx Reg Reqs :0
FCS Tx Reg Reqs :0
FCS Rx Dereg Reqs :0
FCS Tx Dereg Reqs :0
FCS Rx RSCNs :0
FCS Tx RSCNs :0
...
```

### Platform Settings for Each VSAN

The following example displays platform settings for each VSAN:

```
switch# show fcs vsan

VSAN Plat Check fabric-wide

0001 Yes
0010 No
0020 No
0021 No
0030 No
```

## Additional References

For additional information related to implementing FCS, see the following section:

Table 43: MIBs

| MIBs          | MIBs Link                                                                                                                                                                                                                          |
|---------------|------------------------------------------------------------------------------------------------------------------------------------------------------------------------------------------------------------------------------------|
| CISCO-FCS-MIB | To locate and download MIBs, go to the following URL:<br><a href="http://www.cisco.com/en/US/products/ps5989/prod_technical_reference_list.html">http://www.cisco.com/en/US/products/ps5989/prod_technical_reference_list.html</a> |







## CHAPTER 17

# Configuring Port Pacing

This chapter describes how to configure Port Pacer.

- [Information About Port Pacing, on page 329](#)
- [Guidelines and Limitations, on page 329](#)
- [Configuring Port Pacer, on page 330](#)

## Information About Port Pacing

The Fibre Channel Port Pacer is supported only on Cisco MDS 9513 and MDS 9710 switches. The Port Pacer is designed to pace the number of mode F ports that come up simultaneously so that ports are brought up in a phased manner.

During an F port start up, the Port Pacer informs the F Port server that a port is starting up. The Port Pacer waits for the F port server to receive FLOGIs and FDISCs on that port. The Port Pacer attempts to bring up concurrent-ports number of ports simultaneously. However, after the F port server informs the Port Pacer that it has received FLOGI and FDISC for that port, and then the Port Pacer completes the port bring up and updates the port status as up. Subsequently, the next port is attempted for starting up.

By default, F port pacing is disabled. After enabling port pacing, number of FLOGI or FDISC received on the port are being tracked. In the case of all FLOGI or FDISC successfully logged in, which would take few seconds, another set of concurrent ports are brought up. At any given time, FLOGI is processed only for configured concurrent ports. This feature is useful in case of zero FLOGI retries in the hosts.

## Guidelines and Limitations

Following are the recommended guidelines and requirements for enabling the Port Pacer:

- Port pacing configurations are supported only for admin port mode F.
- Concurrent-ports port-number needs to be set depending upon the topology and set this value on how many F ports can be brought up simultaneously.

# Configuring Port Pacer

## Enabling Port Pacing



---

**Note** Port pacing configuration is supported only for admin port mode F.

---

Port pacing command is a system wide command applicable for all admin port mode F ports.

To enable the port pacer, perform these steps:

### Procedure

---

**Step 1** switch# **configure terminal**

Enters configuration mode.

**Step 2** switch# (config)# **system port pacer mode F interface-login-threshold 10 concurrent-ports 1**

Enables the pacer mode for F port with concurrency of 1 and threshold set as 10.

interface-login-threshold specifies the number of FLOGI or FDISC expected on a port.

concurrent-ports specifies the number of admin port mode F ports that can be brought up simultaneously.

---

## Disabling the Port Pacing Configuration

To disable the port pacing configuration, follow these steps:

### Procedure

---

**Step 1** switch# **configure terminal**

Enters configuration mode.

**Step 2** switch# (config)# **no system port pacer mode F interface-login-threshold 10 concurrent-ports 1**

Disables the pacer mode for F port.

---