



## **Cisco Nexus 7000 Series NX-OS System Management Configuration Guide**

**First Published:** 2013-11-20

**Last Modified:** 2020-03-24

### **Americas Headquarters**

Cisco Systems, Inc.  
170 West Tasman Drive  
San Jose, CA 95134-1706  
USA  
<http://www.cisco.com>  
Tel: 408 526-4000  
800 553-NETS (6387)  
Fax: 408 527-0883

THE SPECIFICATIONS AND INFORMATION REGARDING THE PRODUCTS IN THIS MANUAL ARE SUBJECT TO CHANGE WITHOUT NOTICE. ALL STATEMENTS, INFORMATION, AND RECOMMENDATIONS IN THIS MANUAL ARE BELIEVED TO BE ACCURATE BUT ARE PRESENTED WITHOUT WARRANTY OF ANY KIND, EXPRESS OR IMPLIED. USERS MUST TAKE FULL RESPONSIBILITY FOR THEIR APPLICATION OF ANY PRODUCTS.

THE SOFTWARE LICENSE AND LIMITED WARRANTY FOR THE ACCOMPANYING PRODUCT ARE SET FORTH IN THE INFORMATION PACKET THAT SHIPPED WITH THE PRODUCT AND ARE INCORPORATED HEREIN BY THIS REFERENCE. IF YOU ARE UNABLE TO LOCATE THE SOFTWARE LICENSE OR LIMITED WARRANTY, CONTACT YOUR CISCO REPRESENTATIVE FOR A COPY.

The Cisco implementation of TCP header compression is an adaptation of a program developed by the University of California, Berkeley (UCB) as part of UCB's public domain version of the UNIX operating system. All rights reserved. Copyright © 1981, Regents of the University of California.

NOTWITHSTANDING ANY OTHER WARRANTY HEREIN, ALL DOCUMENT FILES AND SOFTWARE OF THESE SUPPLIERS ARE PROVIDED "AS IS" WITH ALL FAULTS. CISCO AND THE ABOVE-NAMED SUPPLIERS DISCLAIM ALL WARRANTIES, EXPRESSED OR IMPLIED, INCLUDING, WITHOUT LIMITATION, THOSE OF MERCHANTABILITY, FITNESS FOR A PARTICULAR PURPOSE AND NON-INFRINGEMENT OR ARISING FROM A COURSE OF DEALING, USAGE, OR TRADE PRACTICE.

IN NO EVENT SHALL CISCO OR ITS SUPPLIERS BE LIABLE FOR ANY INDIRECT, SPECIAL, CONSEQUENTIAL, OR INCIDENTAL DAMAGES, INCLUDING, WITHOUT LIMITATION, LOST PROFITS OR LOSS OR DAMAGE TO DATA ARISING OUT OF THE USE OR INABILITY TO USE THIS MANUAL, EVEN IF CISCO OR ITS SUPPLIERS HAVE BEEN ADVISED OF THE POSSIBILITY OF SUCH DAMAGES.

Any Internet Protocol (IP) addresses and phone numbers used in this document are not intended to be actual addresses and phone numbers. Any examples, command display output, network topology diagrams, and other figures included in the document are shown for illustrative purposes only. Any use of actual IP addresses or phone numbers in illustrative content is unintentional and coincidental.

All printed copies and duplicate soft copies of this document are considered uncontrolled. See the current online version for the latest version.

Cisco has more than 200 offices worldwide. Addresses and phone numbers are listed on the Cisco website at [www.cisco.com/go/offices](http://www.cisco.com/go/offices).

Cisco and the Cisco logo are trademarks or registered trademarks of Cisco and/or its affiliates in the U.S. and other countries. To view a list of Cisco trademarks, go to this URL: [www.cisco.com go trademarks](http://www.cisco.com/go/trademarks). Third-party trademarks mentioned are the property of their respective owners. The use of the word partner does not imply a partnership relationship between Cisco and any other company. (1721R)

© 2013–2020 Cisco Systems, Inc. All rights reserved.



## CONTENTS

---

### PREFACE

<b>Preface</b>	<b>xxv</b>
Audience	xxv
Document Conventions	xxv
Related Documentation for Cisco Nexus 7000 Series NX-OS Software	xxvi
Documentation Feedback	xxviii
Communications, Services, and Additional Information	xxix

---

### CHAPTER 1

<b>New and Changed Information</b>	<b>1</b>
New and Changed Information	1

---

### CHAPTER 2

<b>Overview</b>	<b>11</b>
Cisco NX-OS Device Configuration Methods	11
Configuring with CLI or XML Management Interface	12
Configuring with Cisco DCNM or a Custom GUI	13
Cisco Fabric Services	13
Network Time Protocol	13
Precision Time Protocol	13
Cisco Discovery Protocol	13
System Messages	14
Smart Call Home	14
Rollback	14
Session Manager	14
Scheduler	14
SNMP	14
RMON	15
Online Diagnostics	15

Embedded Event Manager	15
Onboard Failure Logging	15
SPAN	15
ERSPAN	15
LLDP	16
NetFlow	16
FabricPath	16
EEE	16
Troubleshooting Features	16

**CHAPTER 3****Configuring CFS 19**

Finding Feature Information	19
About CFS	19
Applications that Use CFS to Distribute Configuration Changes	19
CFS Distribution	20
CFS Distribution Modes	21
CFS Connectivity in a Mixed Fabric	21
CFS Merge Support	22
Locking the Network	22
CFS Regions	22
High Availability	23
Licensing Requirements for CFS	23
Prerequisites for CFS	23
Guidelines and Limitations for CFS	23
Default Settings for CFS	24
Configuring CFS Distribution	25
Enabling CFS Distribution for Applications	25
Enabling CFS to Distribute Smart Call Home Configurations	25
Enabling CFS to Distribute Device Alias Configurations	25
Enabling CFS to Distribute DPVM Configurations	26
Enabling CFS to Distribute FC Domain Configurations	27
Enabling CFS to Distribute FC Port Security Configurations	28
Enabling CFS to Distribute FC Timer Configurations	28
Enabling CFS to Distribute IVR Configurations	29

Enabling CFS to Distribute NTP Configurations	30
Enabling CFS to Distribute RADIUS Configurations	31
Enabling CFS to Distribute RSCN Configurations	31
Enabling CFS to Distribute TACACS+ Configurations	32
Enabling CFS to Distribute User Role Configurations	32
Specifying a CFS Distribution Mode	33
Configuring an IP Multicast Address for CFSoIP	34
Configuring CFS Regions	35
Creating a CFS Region	35
Moving an Application to a Different CFS Region	35
Removing an Application from a CFS Region	36
Deleting a CFS Region	37
Creating and Distributing a CFS Configuration	38
Clearing a Locked Session	39
Discarding a CFS Configuration	40
Disabling CFS Distribution Globally	41
Verifying the CFS Configuration	41
Additional References for CFS	42
Feature History for CFS	43

---

**CHAPTER 4**

<b>Configuring NTP</b>	<b>45</b>
Finding Feature Information	45
About NTP	45
NTP Associations	46
NTP Broadcast Associations	46
NTP Multicast Associations	46
NTP as a Time Server	47
Distributing NTP Using CFS	47
Clock Manager	47
High Availability	47
Virtualization Support	47
Licensing Requirements for NTP	48
Prerequisites for NTP	48
Guidelines and Limitations for NTP	48

Default Settings for NTP	49
Configuring NTP	50
Enabling or Disabling NTP in a VDC	50
Enabling or Disabling NTP on an Interface	50
Configuring the Device as an Authoritative NTP Server	51
Configuring an NTP Server and Peer	52
Configuring NTP Authentication	53
Configuring NTP Access Restrictions	55
Configuring the NTP Source IP Address	56
Configuring the NTP Source Interface	56
Configuring an NTP Broadcast Server	57
Configuring an NTP Multicast Server	58
Configuring an NTP Multicast Client	59
Configuring NTP on a Secondary (Non-Default) VDC	60
Configuring NTP Logging	61
Enabling CFS Distribution for NTP	62
Committing NTP Configuration Changes	62
Discarding NTP Configuration Changes	63
Releasing the CFS Session Lock	63
Verifying the NTP Configuration	63
Configuration Examples for NTP	64
Additional References	65
Related Documents	65
MIBs	66
Feature History for NTP	66

---

**CHAPTER 5**

<b>Configuring PTP</b>	<b>69</b>
Finding Feature Information	69
About PTP	69
PTP Device Types	70
PTP Process	71
Pong	71
Clock Manager	71
High Availability for PTP	72

Virtualization Support	72
Licensing Requirements for PTP	72
Prerequisites for PTP	72
Guidelines and Limitations for PTP	72
Default Settings for PTP	73
Configuring PTP	74
Configuring PTP Globally	74
Configuring PTP on an Interface	76
Verifying the PTP Configuration	77
Configuration Examples for PTP	78
Related Documents	79
Related Documents	79
MIBs	80
Feature History for PTP	80

---

**CHAPTER 6**
**Configuring CDP 83**

Finding Feature Information	83
About CDP	83
VTP Feature Support	84
High Availability	84
Virtualization Support	85
Licensing Requirements for CDP	85
Prerequisites for CDP	85
Guidelines and Limitations for CDP	85
Default Settings for CDP	85
Configuring CDP	86
Enabling or Disabling CDP Globally	86
Enabling or Disabling CDP on an Interface	86
Configuring Optional CDP Parameters	87
Verifying the CDP Configuration	88
Configuration Example for CDP	89
Additional References	89
Related Documents	89
MIBs	89

Feature History for CDP 90

---

**CHAPTER 7****Configuring System Message Logging 91**

Finding Feature Information 91

About System Message Logging 91

Syslog Servers 92

Binary Tech Support 92

Virtualization Support 92

Licensing Requirements for System Message Logging 93

Guidelines and Limitations for System Message Logging 93

Default Settings for System Message Logging 93

Configuring System Message Logging 94

Configuring System Message Logging to Terminal Sessions 94

Logging System Messages to a File 96

Configuring Module and Facility Messages Logging 97

Configuring Syslog Servers 99

Configuring Destination Port for Forwarding Syslogs 100

Configuring Syslog Servers on a UNIX or Linux System 101

Displaying and Clearing Log Files 102

Verifying the System Message Logging Configuration 103

Configuration Example for System Message Logging 104

Additional References 104

Related Documents 104

Feature History for System Message Logging 104

---

**CHAPTER 8****Configuring Smart Call Home 107**

Finding Feature Information 107

About Smart Call Home 107

Destination Profiles 108

Smart Call Home Alert Groups 108

Smart Call Home Message Levels 111

Obtaining Smart Call Home 112

Distributing Smart Call Home Using CFS 113

Database Merge Guidelines 113



High Availability	113
Virtualization Support	113
Licensing Requirements for Smart Call Home	114
Prerequisites for Smart Call Home	114
Guidelines and Limitations for Smart Call Home	114
Default Settings for Smart Call Home	115
Configuring Smart Call Home	116
Configuring Contact Information	116
Creating a Destination Profile	118
Modifying a Destination Profile	119
Associating an Alert Group with a Destination Profile	121
Adding Show Commands to an Alert Group	122
Configuring the Email Server	123
Configuring VRFs To Send Messages Using HTTP	124
Configuring an HTTP Proxy Server	125
Configuring Periodic Inventory Notifications	126
Disabling Duplicate Message Throttling	127
Enabling or Disabling Smart Call Home	128
Testing the Smart Call Home Configuration	129
Verifying the Smart Call Home Configuration	129
Configuration Examples for Smart Call Home	130
Additional References	131
Event Triggers	131
Message Formats	133
Short Text Message Format	133
Common Event Message Fields	133
Alert Group Message Fields	135
Fields for Reactive and Proactive Event Messages	136
Fields for Inventory Event Messages	136
Fields for User-Generated Test Messages	137
Sample Syslog Alert Notification in Full-Text Format	137
Sample Syslog Alert Notification in XML Format	140
Additional References	144
Related Documents	144

MIBs 144

Feature History for Smart Call Home 144

---

**CHAPTER 9****Configuring Rollback 147**

Finding Feature Information 147

About Rollbacks 147

Automatically Generated System Checkpoints 148

High Availability 148

Virtualization Support 149

Licensing Requirements for Rollbacks 149

Prerequisites for Rollbacks 149

Guidelines and Limitations for Rollbacks 149

Default Settings for Rollbacks 151

Configuring Rollbacks 151

Creating a Checkpoint 151

Implementing a Rollback 152

Verifying the Rollback Configuration 153

Configuration Example for Rollback 153

Additional References 154

Related Documents 154

Feature History for Rollback 154

---

**CHAPTER 10****Configuring Session Manager 155**

Finding Feature Information 155

About Session Manager 155

High Availability 156

Virtualization Support 156

Licensing Requirements for Session Manager 156

Prerequisites for Session Manager 156

Guidelines and Limitations for Session Manager 156

Configuring Session Manager 157

Creating a Session 157

Configuring ACLs in a Session 157

Verifying a Session 158

Committing a Session	158
Saving a Session	159
Discarding a Session	159
Verifying the Session Manager Configuration	159
Configuration Example for Session Manager	159
Additional References	160
Related Documents	160
Feature History for Session Manager	160

---

**CHAPTER 11**

<b>Configuring the Scheduler</b>	<b>161</b>
Finding Feature Information	161
About the Scheduler	161
Remote User Authentication	162
Logs	162
High Availability	162
Virtualization Support	162
Licensing Requirements for the Scheduler	163
Prerequisites for the Scheduler	163
Guidelines and Limitations for the Scheduler	163
Default Settings for the Scheduler	163
Configuring the Scheduler	164
Enabling or Disabling the Scheduler	164
Defining the Scheduler Log File Size	164
Configuring Remote User Authentication	164
Defining a Job	165
Deleting a Job	166
Defining a Timetable	166
Clearing the Scheduler Log File	168
Verifying the Scheduler Configuration	168
Configuration Examples for the Scheduler	168
Creating a Scheduler Job	168
Scheduling a Scheduler Job	169
Displaying the Job Schedule	169
Displaying the Results of Running Scheduler Jobs	169

Related Documents	170
Feature History for the Scheduler	170

---

**CHAPTER 12**

<b>Configuring SNMP</b>	<b>171</b>
Finding Feature Information	171
About SNMP	171
SNMP Functional Overview	171
SNMP Notifications	172
SNMPv3	173
Security Models and Levels for SNMPv1, v2, v3	173
User-Based Security Model	175
CLI and SNMP User Synchronization	176
AAA Exclusive Behavior in SNMPv3 Servers	176
Group-Based SNMP Access	177
SNMP and Embedded Event Manager	177
Multiple Instance Support	177
High Availability for SNMP	178
Virtualization Support for SNMP	178
Licensing Requirements for SNMP	178
Prerequisites for SNMP	178
Guidelines and Limitations for SNMP	179
Default Settings for SNMP	179
Configuring SNMP	179
Configuring SNMP Users	179
Enforcing SNMP Message Encryption	180
Assigning SNMPv3 Users to Multiple Roles	181
Creating SNMP Communities	181
Filtering SNMP Requests	182
Authenticating SNMPv3 Users Based on Location	183
Configuring SNMP Notification Receivers	183
Configuring a Source Interface for SNMP Notifications	184
Configuring the Notification Target User	185
Configuring SNMP Notification Receivers with VRFs	186
Configuring SNMP to Send Traps Using an Inband Port	187

Enabling SNMP Notifications	188
Disabling Link Notifications on an Interface	198
Displaying SNMP ifIndex for an Interface	199
Enabling a One-Time Authentication for SNMP over TCP	199
Assigning SNMP Device Contact and Location Information	199
Configuring the Context to Network Entity Mapping	200
Disabling SNMP	201
Managing the SNMP Server Counter Cache Update Timer	201
Modifying the AAA Synchronization Time	202
Verifying SNMP Configuration	203
Configuration Examples for SNMP	203
Additional References	205
Related Documents	205
RFCs	205
MIBs	206
Feature History for SNMP	206

---

**CHAPTER 13**

<b>Configuring RMON</b>	<b>207</b>
Finding Feature Information	207
About RMON	207
RMON Alarms	208
RMON Events	208
High Availability for RMON	209
Virtualization Support for RMON	209
Licensing Requirements for RMON	209
Prerequisites for RMON	209
Guidelines and Limitations for RMON	209
Default Settings for RMON	210
Configuring RMON	210
Configuring RMON Alarms	210
Configuring RMON Events	211
Verifying the RMON Configuration	212
Configuration Examples for RMON	212
Additional References	212

	Related Documents	212
	MIBs	213
	Feature History for RMON	213
<hr/>		
<b>CHAPTER 14</b>	<b>Configuring Online Diagnostics</b>	<b>215</b>
	Finding Feature Information	215
	Information About Online Diagnostics	215
	Online Diagnostics Overview	215
	Bootup Diagnostics	216
	Runtime or Health Monitoring Diagnostics	218
	Recovery Actions for Specified Health-Monitoring Diagnostics	221
	On-Demand Diagnostics	222
	High Availability	222
	Virtualization Support	222
	Licensing Requirements for Online Diagnostics	222
	Guidelines and Limitations for Online Diagnostics	223
	Default Settings for Online Diagnostics	223
	Configuring Online Diagnostics	224
	Setting the Bootup Diagnostic Level	224
	Activating a Diagnostic Test	224
	Setting a Diagnostic Test as Inactive	225
	Configuring Corrective Action	226
	Starting or Stopping an On-Demand Diagnostic Test	227
	Clearing Diagnostic Results	228
	Simulating Diagnostic Results	228
	Verifying the Online Diagnostics Configuration	228
	Configuration Examples for Online Diagnostics	229
	Additional References	230
	Related Documents	230
	Feature History Table for Online Diagnostics	230

<b>CHAPTER 15</b>	<b>Configuring the Embedded Event Manager</b>	<b>233</b>
	Finding Feature Information	233
	About EEM	233

Policies	234
Event Statements	235
Action Statements	236
VSH Script Policies	237
Environment Variables	237
EEM Event Correlation	237
High Availability	238
Virtualization Support	238
Licensing Requirements for EEM	238
Prerequisites for EEM	238
Guidelines and Limitations for EEM	238
Default Settings for EEM	239
Configuring EEM	239
Defining an Environment Variable	239
Defining a User Policy Using the CLI	240
Configuring Event Statements	241
Configuring Action Statements	246
Defining a Policy Using a VSH Script	254
Registering and Activating a VSH Script Policy	254
Scheduling an EEM Policy	255
Overriding a Policy	256
Configuring Memory Thresholds	257
Configuring Syslog as EEM Publisher	259
Verifying the EEM Configuration	260
Configuration Examples for EEM	261
Related Documents	262
Feature History for EEM	262

---

**CHAPTER 16**

<b>Configuring Onboard Failure Logging</b>	<b>265</b>
Finding Feature Information	265
About OBFL	265
Virtualization Support	266
Licensing Requirements for OBFL	266
Prerequisites for OBFL	266

Guidelines and Limitations for OBFL	267
Default Settings for OBFL	267
Configuring OBFL	267
Verifying the OBFL Configuration	269
Configuration Example for OBFL	271
Additional References	271
Related Documents	271
Feature History for OBFL	271
<hr/>	
<b>CHAPTER 17</b>	<b>Configuring SPAN 273</b>
Finding Feature Information	273
About SPAN	273
SPAN Sources	273
Characteristics of Source Ports	274
SPAN Destinations	274
Characteristics of Destination Ports	274
SPAN Sessions	275
Extended SPAN Sessions	275
4K VLANs per SPAN Session	276
Rule-Based SPAN	276
Exception SPAN	277
Virtual SPAN Sessions	277
Network Analysis Module	278
High Availability	278
Virtualization Support	278
Licensing Requirements for SPAN	279
Prerequisites for SPAN	279
Guidelines and Limitations for SPAN	279
General SPAN Guidelines and Limitations	279
Guidelines and Limitations for F1 Series Module	282
Guidelines and Limitations for F2/F2e Series Modules	283
Guidelines and Limitations for F3 Series Module	284
Guidelines and Limitations for M1/M1XL Series Modules	284
Guidelines and Limitations for M2/M2XL Series Modules	285



Guidelines and Limitations for M3 Series Modules	286
Default Settings for SPAN	286
Configuring SPAN	287
Configuring a SPAN Session	287
Configuring Multi-Destination SPAN on F2 Series Modules	291
Configuring Multiple SPAN Sessions on a SPAN Destination Port	293
Configuring a Virtual SPAN Session	294
Configuring an RSPAN VLAN	297
Shutting Down or Resuming a SPAN Session	298
Configuring MTU Truncation for Each SPAN Session	299
Configuring a Source Rate Limit for Each SPAN Session	300
Configuring Sampling for Each SPAN Session	302
Complex Rule-based SPAN	303
Creating Filters	303
Creating Filter-Lists	303
Associating a Filter List to a Monitor Session	304
Configuring a Session with Rules Enabled	305
Configuring the Multicast Best Effort Mode for a SPAN Session	306
Configuring Rule-Based SPAN	307
Configuring Exception SPAN	312
Removing FabricPath and VNTAG Headers	313
Removing Headers Globally	314
Removing Headers per Port	314
Verifying the SPAN Configuration	315
Configuration Examples for SPAN	315
Configuration Example for a SPAN Session	315
Configuration Example to Monitor All VLANs and Ports in an Extended SPAN Monitor Session	316
Configuration Example for a Unidirectional SPAN Session	316
Configuration Example for a Virtual SPAN Session	317
Configuration Example for a SPAN Session with a Private VLAN Source	318
Configuration Example for SPAN with MTU Truncation and SPAN Sampling	319
Configuration Example for Rule-Based SPAN	319
Configuration Example for Exception SPAN	319

Related Documents	320
Feature History for SPAN	320

---

**CHAPTER 18**

<b>Configuring ERSPAN</b>	<b>323</b>
Finding Feature Information	323
About ERSPAN	323
ERSPAN Types	324
ERSPAN Sources	324
ERSPAN Destinations	325
ERSPAN Sessions	325
Extended ERSPAN Session	325
4K VLANs per ERSPAN Session	326
Rule-Based ERSPAN	326
Exception ERSPAN	327
Network Analysis Module	327
High Availability	328
Virtualization Support	328
Licensing Requirements for ERSPAN	328
Prerequisites for ERSPAN	328
Guidelines and Limitations for ERSPAN	328
Default Settings	332
Configuring ERSPAN	333
Configuring an ERSPAN Source Session	333
Configuring an ERSPAN Destination Session	336
Shutting Down or Activating an ERSPAN Session	338
Configuring MTU Truncation for Each ERSPAN Session	339
Configuring a Source Rate Limit for Each ERSPAN Session	340
Configuring Sampling for Each ERSPAN Session	341
Configuring the Multicast Best Effort Mode for an ERSPAN Session	342
Configuring Rule-Based ERSPAN	343
Configuring Exception ERSPAN	348
Verifying the ERSPAN Configuration	350
Configuration Examples for ERSPAN	350
Configuration Example for an ERSPAN Type III Source Session	350

Configuration Example to Monitor All VLANs and Ports in an Extended ERSPAN Monitor Session	351
Configuration Example for a Unidirectional ERSPAN Session	351
Configuration Example for an ERSPAN Destination Session	352
Configuration Example for an ERSPAN ACL	352
Configuration Example for ERSPAN with MTU Truncation and ERSPAN Sampling	353
Configuration Example for ERSPAN Using the Multicast Best Effort Mode	353
Configuration Example for Rule-Based ERSPAN	353
Configuration Example for Exception ERSPAN	353
Related Documents	354
Feature History for ERSPAN	354

---

**CHAPTER 19**
**Configuring LLDP 357**

Finding Feature Information	357
About LLDP	357
About DCBXP	358
High Availability	359
Virtualization Support	359
Licensing Requirements for LLDP	359
Guidelines and Limitations for LLDP	359
Default Settings for LLDP	360
Configuring LLDP	360
Enabling or Disabling LLDP Globally	360
Enabling or Disabling LLDP on an Interface	361
Configuring Optional LLDP Parameters	362
Verifying the LLDP Configuration	362
Configuration Example for LLDP	363
Related Documents	363
Feature History for LLDP	364

---

**CHAPTER 20**
**Configuring NetFlow 365**

Finding Feature Information	365
NetFlow	365
Netflow Overview	366

Flow Records	366
Flow Exporters	366
Export Formats	367
Flow Monitors	368
Samplers	368
Netflow on CoPP Interface Support	369
Network Analysis Module	369
High Availability	370
Virtualization Support	370
Licensing Requirements for NetFlow	370
Prerequisites for NetFlow	370
Guidelines and Limitations for NetFlow	370
Default Settings for NetFlow	373
Configuring NetFlow	373
Enabling the NetFlow Feature	374
Creating a Flow Record	374
Specifying the Match Parameters	375
Specifying the Collect Parameters	376
Creating a Flow Exporter	377
Creating a Flow Monitor	378
Creating a Sampler	379
Applying a Flow Monitor to an Interface	380
Configuring Netflow on CoPP Interface Support	381
Configuring Bridged NetFlow on a VLAN	382
Configuring Layer 2 NetFlow	383
Configuring NetFlow Timeouts	384
Verifying the NetFlow Configuration	385
Monitoring NetFlow	386
Configuration Examples for NetFlow	386
Verification Examples for NetFlow CoPP Interface Support	387
Related Documents	387
Feature History for NetFlow	388

Finding Feature Information	391
Information About EEE	391
EEE	391
EEE LPI Sleep Threshold	392
EEE Latency	392
Virtualization Support	392
Licensing Requirements for EEE	392
Prerequisites for EEE	392
Guidelines and Limitations	392
Default Settings	393
Configuring EEE	393
Enabling or Disabling EEE	393
Configuring the EEE LPI Sleep Threshold	394
Verifying the EEE Configuration	394
Configuration Examples for EEE	395
Related Documents	396
Feature History for EEE	396

---

**CHAPTER 22**
**Configuring GIR (Cisco NX-OS Release 7.3(0)D1(1) and later releases) 397**

Information About GIR	397
Maintenance Profile	399
Unplanned Maintenance	400
Maintenance Mode Timer	400
Snapshot	401
Suppress FIB Pending	402
GIR SNMP Traps	403
Guidelines and Limitations for GIR	403
Configuring Custom Maintenance Mode and Custom Normal Mode Profile	403
Creating a Snapshot	405
Adding Show Commands to Snapshots	406
Dumping Snapshot Sections	408
Entering Maintenance Mode	409
Returning to Normal Mode	414
Deleting a Maintenance Profile	417

Configuration Examples for GIR	417
Verifying GIR	425
Verifying GIR at Protocol Level	425
Feature History for GIR	427

**CHAPTER 23****Configuring GIR (Cisco NX-OS Release 7.2(0)D1(1)) 429**

Information About GIR	429
Guidelines and Limitations for GIR	430
Performing the GIR Cycle	431
Configuring the Normal Mode Profile File	431
Creating a Snapshot	433
Entering Maintenance Mode	433
Returning to Normal Mode	434
Configuring the Maintenance Mode Profile File	435
Verifying GIR	436

**CHAPTER 24****Performing Software Maintenance Upgrades 439**

Prerequisites for SMUs	439
Guidelines and Limitations for SMUs	439
Information About Performing a Software Maintenance Upgrades	440
Overview of SMUs	440
Package Management	441
Impact of Package Activation and Deactivation	441
Performing a Software Maintenance Upgrade for Cisco NX-OS	442
Preparing for Package Installation	442
Downloading the SMU Package File from Cisco.com	444
Copying the Package File to a Local Storage Device or Network Server	444
Adding and Activating Packages	447
Committing the Active Package Set	449
Deactivating and Removing Packages	450
Displaying Installation Log Information	452
Where to Go Next	454
Additional References	454
Related Documents	455

Feature Information for Performing Software Maintenance Upgrades 455

---

**CHAPTER 25**

**Converting CLI Commands to Network Configuration Format 457**

Finding Feature Information 457  
 Information About XMLIN 457  
 Licensing Requirements for XMLIN 458  
 Installing and Using the XMLIN Tool 458  
 Converting Show Command Output to XML 458  
 Configuration Examples for XMLIN 459  
 Related Documents 461  
 Feature History for XMLIN 461

---

**APPENDIX A**

**IETF RFCs supported by Cisco NX-OS System Management 463**

IETF RFCs Supported by Cisco NX-OS System Management 463

---

**APPENDIX B**

**Embedded Event Manager System Events and Configuration Examples 465**

EEM System Policies 465  
 EEM Events 467  
 Configuration Examples for EEM Policies 468  
 Configuration Examples for CLI Events 468  
   Monitoring Interface Shutdown 468  
   Monitoring Module Powerdown 469  
   Adding a Trigger to Initiate a Rollback 469  
 Configuration Examples to Override (Disable) Major Thresholds 469  
   Preventing a Shutdown When Reaching a Major Threshold 469  
   Disabling One Bad Sensor 469  
   Disabling Multiple Bad Sensors 470  
   Overriding (Disabling) an Entire Module 470  
   Overriding (Disabling) Multiple Modules and Sensors 470  
   Enabling One Sensor While Disabling All Remaining Sensors of All Modules 471  
   Enabling Multiple Sensors While Disabling All Remaining Sensors of All Modules 471  
   Enabling All Sensors of One Module While Disabling All Sensors of the Remaining Modules  
     471

- Enabling a Combination of Sensors on Modules While Disabling All Sensors of the Remaining Modules **472**
- Configuration Examples to Override (Disable) Shutdown for Fan Tray Removal **472**
  - Overriding (Disabling) a Shutdown for Removal of One or More Fan Trays **472**
  - Overriding (Disabling) a Shutdown for Removal of a Specified Fan Tray **472**
  - Overriding (Disabling) a Shutdown for Removal of Multiple Specified Fan Trays **473**
  - Overriding (Disabling) a Shutdown for Removal of All Fan Trays Except One **473**
  - Overriding (Disabling) a Shutdown for Removal of Fan Trays Except for a Specified Set of Fan Trays **473**
  - Overriding (Disabling) a Shutdown for Removal of All Fan Trays Except One from a Set of Fan Trays **474**
- Configuration Examples to Create a Supplemental Policy **474**
  - Creating a Supplemental Policy for the Fan Tray Absent Event **474**
  - Creating a Supplemental Policy for the Temperature Threshold Event **474**
- Configuration Examples for the Power Over-Budget Policy **475**
  - Shutting Down Modules **475**
  - Shutting Down a Specified List of Modules **475**
- Configuration Examples to Select Modules to Shut Down **475**
  - Using the Policy Default to Select Nonoverridden Modules to Shut Down **475**
  - Using Parameter Substitution to Select Nonoverridden Modules to Shut Down **476**
- Configuration Examples for the Online Insertion Removal Event **476**
- Configuration Example to Generate a User Syslog **476**
- Configuration Example to Monitor Syslog Messages **477**
- Configuration Examples for SNMP Notification **477**
  - Polling an SNMP OID to Generate an EEM Event **477**
  - Sending an SNMP Notification in Response to an Event in the Event Policy **477**
- Configuration Example for Port Tracking **477**
- Configuration Example to Register an EEM Policy with the EEM **478**

**APPENDIX C**

- Configuration Limits for Cisco NX-OS System Management **481****
- Configuration Limits for Cisco NX-OS System Management **481**





## Preface

---

The preface contains the following sections:

- [Audience, on page xxv](#)
- [Document Conventions, on page xxv](#)
- [Related Documentation for Cisco Nexus 7000 Series NX-OS Software, on page xxvi](#)
- [Documentation Feedback, on page xxviii](#)
- [Communications, Services, and Additional Information, on page xxix](#)

## Audience

This publication is for network administrators who configure and maintain Cisco Nexus devices.

## Document Conventions



### Note

As part of our constant endeavor to remodel our documents to meet our customers' requirements, we have modified the manner in which we document configuration tasks. As a result of this, you may find a deviation in the style used to describe these tasks, with the newly included sections of the document following the new format.

Command descriptions use the following conventions:

Convention	Description
<b>bold</b>	Bold text indicates the commands and keywords that you enter literally as shown.
<i>Italic</i>	Italic text indicates arguments for which the user supplies the values.
[x]	Square brackets enclose an optional element (keyword or argument).
[x   y]	Square brackets enclosing keywords or arguments separated by a vertical bar indicate an optional choice.

Convention	Description
{x   y}	Braces enclosing keywords or arguments separated by a vertical bar indicate a required choice.
[x {y   z}]	Nested set of square brackets or braces indicate optional or required choices within optional or required elements. Braces and a vertical bar within square brackets indicate a required choice within an optional element.
<i>variable</i>	Indicates a variable for which you supply values, in context where italics cannot be used.
string	A nonquoted set of characters. Do not use quotation marks around the string or the string will include the quotation marks.

Examples use the following conventions:

Convention	Description
<code>screen font</code>	Terminal sessions and information the switch displays are in screen font.
<b>boldface screen font</b>	Information you must enter is in boldface screen font.
<i>italic screen font</i>	Arguments for which you supply values are in italic screen font.
<>	Nonprinting characters, such as passwords, are in angle brackets.
[ ]	Default responses to system prompts are in square brackets.
!, #	An exclamation point (!) or a pound sign (#) at the beginning of a line of code indicates a comment line.

This document uses the following conventions:



**Note**

Means *reader take note*. Notes contain helpful suggestions or references to material not covered in the manual.



**Caution**

Means *reader be careful*. In this situation, you might do something that could result in equipment damage or loss of data.

## Related Documentation for Cisco Nexus 7000 Series NX-OS Software

The entire Cisco Nexus 7000 Series NX-OS documentation set is available at the following URL:

[http://www.cisco.com/en/us/products/ps9402/tsd\\_products\\_support\\_series\\_home.html](http://www.cisco.com/en/us/products/ps9402/tsd_products_support_series_home.html)

## Release Notes

The release notes are available at the following URL:

[http://www.cisco.com/en/US/products/ps9402/prod\\_release\\_notes\\_list.html](http://www.cisco.com/en/US/products/ps9402/prod_release_notes_list.html)

## Configuration Guides

These guides are available at the following URL:

[http://www.cisco.com/en/US/products/ps9402/products\\_installation\\_and\\_configuration\\_guides\\_list.html](http://www.cisco.com/en/US/products/ps9402/products_installation_and_configuration_guides_list.html)

The documents in this category include:

- *Cisco Nexus 7000 Series NX-OS Configuration Examples*
- *Cisco Nexus 7000 Series NX-OS FabricPath Configuration Guide*
- *Cisco Nexus 7000 Series NX-OS Fundamentals Configuration Guide*
- *Cisco Nexus 7000 Series NX-OS Interfaces Configuration Guide*
- *Cisco Nexus 7000 Series NX-OS IP SLAs Configuration Guide*
- *Cisco Nexus 7000 Series NX-OS Layer 2 Switching Configuration Guide*
- *Cisco Nexus 7000 Series NX-OS LISP Configuration Guide*
- *Cisco Nexus 7000 Series NX-OS MPLS Configuration Guide*
- *Cisco Nexus 7000 Series NX-OS Multicast Routing Configuration Guide*
- *Cisco Nexus 7000 Series NX-OS OTV Configuration Guide*
- *Cisco Nexus 7000 Series NX-OS Quality of Service Configuration Guide*
- *Cisco Nexus 7000 Series NX-OS SAN Switching Guide*
- *Cisco Nexus 7000 Series NX-OS Security Configuration Guide*
- *Cisco Nexus 7000 Series NX-OS System Management Configuration Guide*
- *Cisco Nexus 7000 Series NX-OS Unicast Routing Configuration Guide*
- *Cisco Nexus 7000 Series NX-OS Verified Scalability Guide*
- *Cisco Nexus 7000 Series NX-OS Virtual Device Context Configuration Guide*
- *Cisco Nexus 7000 Series NX-OS Virtual Device Context Quick Start*
- *Cisco Nexus 7000 Series NX-OS OTV Quick Start Guide*
- *Cisco NX-OS FCoE Configuration Guide for Cisco Nexus 7000 and Cisco MDS 9500*
- *Cisco Nexus 2000 Series Fabric Extender Software Configuration Guide*

## Command References

These guides are available at the following URL:

[http://www.cisco.com/en/US/products/ps9402/prod\\_command\\_reference\\_list.html](http://www.cisco.com/en/US/products/ps9402/prod_command_reference_list.html)

The documents in this category include:

- *Cisco Nexus 7000 Series NX-OS Command Reference Master Index*
- *Cisco Nexus 7000 Series NX-OS FabricPath Command Reference*
- *Cisco Nexus 7000 Series NX-OS Fundamentals Command Reference*
- *Cisco Nexus 7000 Series NX-OS High Availability Command Reference*
- *Cisco Nexus 7000 Series NX-OS Interfaces Command Reference*
- *Cisco Nexus 7000 Series NX-OS Layer 2 Switching Command Reference*
- *Cisco Nexus 7000 Series NX-OS LISP Command Reference*
- *Cisco Nexus 7000 Series NX-OS MPLS Configuration Guide*
- *Cisco Nexus 7000 Series NX-OS Multicast Routing Command Reference*
- *Cisco Nexus 7000 Series NX-OS OTV Command Reference*
- *Cisco Nexus 7000 Series NX-OS Quality of Service Command Reference*
- *Cisco Nexus 7000 Series NX-OS SAN Switching Command Reference*
- *Cisco Nexus 7000 Series NX-OS Security Command Reference*
- *Cisco Nexus 7000 Series NX-OS System Management Command Reference*
- *Cisco Nexus 7000 Series NX-OS Unicast Routing Command Reference*
- *Cisco Nexus 7000 Series NX-OS Virtual Device Context Command Reference*
- *Cisco NX-OS FCoE Command Reference for Cisco Nexus 7000 and Cisco MDS 9500*

### **Other Software Documents**

You can locate these documents starting at the following landing page:

[http://www.cisco.com/en/us/products/ps9402/tsd\\_products\\_support\\_series\\_home.html](http://www.cisco.com/en/us/products/ps9402/tsd_products_support_series_home.html)

- *Cisco Nexus 7000 Series NX-OS MIB Quick Reference*
- *Cisco Nexus 7000 Series NX-OS Software Upgrade and Downgrade Guide*
- *Cisco Nexus 7000 Series NX-OS Troubleshooting Guide*
- *Cisco NX-OS Licensing Guide*
- *Cisco NX-OS System Messages Reference*
- *Cisco NX-OS XML Interface User Guide*

## **Documentation Feedback**

To provide technical feedback on this document, or to report an error or omission, please send your comments to: .

We appreciate your feedback.

## Communications, Services, and Additional Information

- To receive timely, relevant information from Cisco, sign up at [Cisco Profile Manager](#).
- To get the business impact you're looking for with the technologies that matter, visit [Cisco Services](#).
- To submit a service request, visit [Cisco Support](#).
- To discover and browse secure, validated enterprise-class apps, products, solutions and services, visit [Cisco Marketplace](#).
- To obtain general networking, training, and certification titles, visit [Cisco Press](#).
- To find warranty information for a specific product or product family, access [Cisco Warranty Finder](#).

### Cisco Bug Search Tool

[Cisco Bug Search Tool](#) (BST) is a web-based tool that acts as a gateway to the Cisco bug tracking system that maintains a comprehensive list of defects and vulnerabilities in Cisco products and software. BST provides you with detailed defect information about your products and software.





# CHAPTER 1

## New and Changed Information

This chapter provides release-specific information for each new and changed feature in the *Cisco Nexus 7000 Series NX-OS System Management Configuration Guide, Release 6.x*.

- [New and Changed Information, on page 1](#)

## New and Changed Information

The table below summarizes the new and changed features for this document and shows the releases in which each feature is supported. Your software release might not support all the features in this document. For the latest caveats and feature information, see the Bug Search Tool at <https://tools.cisco.com/bugsearch/> and the release notes for your software release.

Feature	Description	Changed in Release	Where Documented
PTP	PTP does not support M3 module.	7.3(0)DX(1)	Chapter 5, “Configuring PTP”
Online diagnostics (GOLD)	Added support for M3 module.	7.3(0)DX(1)	Chapter 14, “Configuring Online Diagnostics”
SPAN	Added support for M3 module.	7.3(0)DX(1)	Chapter 17, “Configuring SPAN”
ERSPAN	Added support for M3 module.	7.3(0)DX(1)	Chapter 18, “Configuring ERSPAN”
NetFlow	Added support for M3 module.	7.3(0)DX(1)	Chapter 20, “Configuring NetFlow”
Netflow on CoPP Interface Support	Added Netflow on CoPP Interface Support feature.	7.3(0)D1(1)	Chapter 5, “Configuring PTP”
4K VLANs per SPAN Session	Added support for 4K VLANs per SPAN Session.	7.3(0)D1(1)	Chapter 17, “Configuring SPAN”
4K VLANs per ERSPAN Session	Added support for 4K VLANs per ERSPAN Session.	7.3(0)D1(1)	Chapter 18, “Configuring ERSPAN”

Feature	Description	Changed in Release	Where Documented
NTP Authentication Key Length Enhancement	Increased the length of NTP authentication keys from 15 to 32 alphanumeric characters.	7.3(0)D1(1)	Chapter 4, "Configuring NTP"
Configuring GIR	Starting with Cisco NX-OS Release 7.3(0)D1(1), the default mode for GIR is "isolate". Provides support for Unplanned Maintenance, Maintenance Mode timer, Suppress FIB Pending, AddingShow commands to snapshots and dumping snapshot sections.	7.3(0)D1(1)	Chapter 22, "Configuring GIR (Cisco NX-OS Release 7.3(0)D1(1))"
Egress NetFlow Support on F3 Modules	Egress NetFlow is supported on F3 modules.	7.2(0)D1(1)	Chapter 20, "Configuring NetFlow"
NetFlow Support on F2, F2e, F3 Sub-interfaces	NetFlow is supported on F2, F2e and F3 sub-interfaces.	7.2(0)D1(1)	Chapter 20, "Configuring NetFlow"
EEM action and scheduling statements	Actions based programmability to program EEM applet with conditional statements, string and arithmetic operations.	7.2(0)D1(1)	Chapter 15, "Configuring the Embedded Event Manager"
NetFlow	Enhanced the F3 Series module packet processing rate to 50000 pps.	7.2(0)D1(1)	Chapter 20, "Configuring NetFlow"
Online diagnostics (GOLD)	Added support for online diagnostics.	7.2(0)D1(1)	Chapter 14, "Configuring Online Diagnostics"
System message logging	Added the ability to add the description for physical Ethernet interfaces and subinterfaces in the system message log.	7.2(0)D1(1)	Chapter 7, "Configuring System Message Logging"
Isolate and Maintenance Mode Enhancement	Provides the ability to gracefully eject a switch and isolate it from the network so that debugging or an upgrade can be performed. The switch is removed from the regular switching path and put into a maintenance mode. Once maintenance on the switch is complete, you can bring the switch into full operational mode.	7.2(0)D1(1)	Chapter 23, "Configuring Maintenance Mode"
SPAN	Added support to remove FabricPath and VLAN tag headers from SPAN packets.	6.2(10)	Chapter 17, "Configuring SPAN"



Feature	Description	Changed in Release	Where Documented
Online diagnostics (GOLD)	<ul style="list-style-type: none"> <li>Added the InternalPortLoopback test as a nondisruptive health monitoring test.</li> <li>Added support for the N77-F348XP-23 module for the PortLoopback test.</li> </ul>	6.2(10)	Chapter 14, "Configuring Online Diagnostics"
Support for CISCO-BGP-MIBv2	Added the <b>cbgp2</b> keyword to the <b>snmp-server enable traps</b> command.	6.2(8)	Chapter 12, "Configuring SNMP"
Online diagnostics (GOLD)	Added ability to configure recovery actions for certain runtime diagnostic tests.	6.2(8)	Chapter 14, "Configuring Online Diagnostics"
ERSPAN	Added support for ERSPAN destination sessions on F2 and F2e Series modules.	6.2(2)	Chapter 18, "Configuring ERSPAN"
ERSPAN	Added NAM support for ERSPAN data sources.	6.2(2)	Chapter 18, "Configuring ERSPAN"
ERSPAN	Added support for extended ERSPAN.	6.2(2)	Chapter 18, "Configuring ERSPAN"
ERSPAN	Added support for rule-based ERSPAN.	6.2(2)	Chapter 18, "Configuring ERSPAN"
ERSPAN	Added support for exception ERSPAN	6.2(2)	Chapter 18, "Configuring ERSPAN"
ERSPAN	Added support for ERSPAN termination on F2 or F2e Series modules.	6.2(2)	Chapter 18, "Configuring ERSPAN"
NetFlow	Added support for ingress NetFlow sampling and DHCP relay to be configured on the same interface.	6.2(2)	Chapter 20, "Configuring NetFlow"
NetFlow	Added NAM support for NetFlow data sources.	6.2(2)	Chapter 20, "Configuring NetFlow"
NetFlow	Added support for full NetFlow and sampled NetFlow on the Cisco NetFlow Generation Appliance (NGA).	6.2(2)	Chapter 20, "Configuring NetFlow"
NTP	Introduced the <b>ntp access-group match-all</b> command to cause the access group options to be scanned in order, from least restrictive to most restrictive.	6.2(2)	Chapter 4, "Configuring NTP"

Feature	Description	Changed in Release	Where Documented
NTP	Introduced the <b>no ntp passive</b> command to prevent NTP from forming associations.	6.2(2)	Chapter 4, “Configuring NTP”
NTP	Added the ability to configure NTP broadcast and multicast servers and multicast clients on an interface.	6.2(2)	Chapter 4, “Configuring NTP”
NTP	Added the ability to enable or disable NTP on an interface.	6.2(2)	Chapter 4, “Configuring NTP”
NTP	NTP access group options are now scanned in order from least restrictive to most restrictive.	6.2(2)	Chapter 4, “Configuring NTP”
SNMP	Added support for AAA exclusive behavior in SNMPv3 servers to authenticate users based on location.	6.2(2)	Chapter 12, “Configuring SNMP”
SNMP	Added the ability to apply both IPv4 and IPv6 ACLs to the same SNMPv3 user or SNMPv3 community.	6.2(2)	Chapter 12, “Configuring SNMP”
SPAN	Added NAM support for SPAN data sources.	6.2(2)	Chapter 17, “Configuring SPAN”
SPAN	Added support for FEX ports as a SPAN source in Tx direction only on F2e Series modules.	6.2(2)	Chapter 17, “Configuring SPAN”
SPAN	Added support for extended SPAN	6.2(2)	Chapter 17, “Configuring SPAN”
SPAN	Added support for rule-based SPAN	6.2(2)	Chapter 17, “Configuring SPAN”
SPAN	Added support for exception SPAN.	6.2(2)	Chapter 17, “Configuring SPAN”
XMLIN	Introduced the XMLIN tool to enable you to convert CLI commands to the Network Configuration (NETCONF) protocol.	6.2(2)	Chapter 25, “Converting CLI Commands to Network Configuration Format”
EEE	Added support for EEE on F2e Series modules.	6.2(2)	Chapter 21, “Configuring EEE”
ERSPAN	Added support for ERSPAN on F2e Series modules.	6.2(2)	Chapter 18, “Configuring ERSPAN”

Feature	Description	Changed in Release	Where Documented
NetFlow	Added support for sampled NetFlow on F2 Series and F2e Series modules.	6.2(2)	Chapter 20, "Configuring NetFlow"
NetFlow	Added the <b>flow timeout seconds</b> command for F2 Series and F2e Series modules.	6.2(2)	Chapter 20, "Configuring NetFlow"
ERSPAN	Added support for ERSPAN Type III.	6.1(1)	Chapter 18, "Configuring ERSPAN"
ERSPAN	Added support for Supervisor 2	6.1(1)	Chapter 18, "Configuring ERSPAN"
ERSPAN	Added support for F2 and M2 Series modules.	6.1(1)	Chapter 18, "Configuring ERSPAN"
ERSPAN	Added support for ERSPAN sampling	6.1(1)	Chapter 18, "Configuring ERSPAN"
ERSPAN	Added the ability to configure MTU truncation and the source rate limit for each ERSPAN session.	6.1(1)	Chapter 18, "Configuring ERSPAN"
NTP	Increased the length of NTP authentication keys from 8 to 15 alphanumeric characters.	6.1(1)	Chapter 4, "Configuring NTP"
Online diagnostics (GOLD)	Added support for Supervisor 2 and M2 Series modules.	6.1(1)	Chapter 14, "Configuring Online Diagnostics"
Online diagnostics (GOLD)	Added support for F2 Series modules for the Spine path, RewriteEngineLoopback and SnakeLoopback test and the Spine path tests	6.1(1)	Chapter 14, "Configuring Online Diagnostics"
Online diagnostics (GOLD)	Added support for configuring online diagnostics in the admin VDC.	6.1(1)	Chapter 14, "Configuring Online Diagnostics"
PTP	Added PTP support in Layer 3 mode for F2, F2e, and M2 Series modules.	6.1(1)	Chapter 5, "Configuring PTP"
PTP	Added support for M2 Series modules.	6.1(1)	Chapter 5, "Configuring PTP"
PTP	Changed the PTP MAC format from FF:FF to FF:FE.	6.1(1)	Chapter 5, "Configuring PTP"
PTP	Deprecated the <b>vrf</b> option from the <b>ptp source</b> command.	6.1(1)	Chapter 5, "Configuring PTP"

Feature	Description	Changed in Release	Where Documented
SPAN	SPAN Added support for SPAN sampling.	6.1(1)	Chapter 17, "Configuring SPAN"
SPAN	Allowed the inband interface to be added as a source from any VDC except the admin VDC.	6.1(1)	Chapter 17, "Configuring SPAN"
SPAN	Added support for Supervisor 2.	6.1(1)	Chapter 17, "Configuring SPAN"
SPAN	Added support for M2 Series modules.	6.1(1)	Chapter 17, "Configuring SPAN"
SPAN	Added FCoE SPAN support on F2 Series modules for storage VDCs.	6.1(1)	Chapter 17, "Configuring SPAN"
ERSPAN	ERSPAN and ERSPAN ACLs are not supported on F2 Series modules.	6.0(1)	Chapter 18, "Configuring ERSPAN"
NetFlow	NetFlow is not supported on F2 Series modules.	6.0(1)	Chapter 19, "Configuring NetFlow"
NetFlow	Added support for the collect routing forwarding-status command to trigger the collection of flows denied by ACL entries.	6.0(1)	Chapter 20, "Configuring NetFlow"
Online diagnostics (GOLD)	Added PTP support on port-channel member ports.	6.0(1)	Chapter 14, "Configuring Online Diagnostics"
PTP	Added support for F2 Series modules.	6.0(1)	Chapter 5, "Configuring PTP"
PTP	Added PTP support on port-channel member ports.	6.0(1)	Chapter 5, "Configuring PTP"
SPAN	Added support for F2 Series modules.	6.0(1)	Chapter 17, "Configuring SPAN"
NTP	Added support for F2 Series modules.		Chapter 4, "Configuring NTP"
CFS protocol	Added CFS over Fibre Channel (CFSofC) distribution support for device alias, DPVM, FC domain, FC port security, FC timer, IVR, and RSCN.	5.2(3)	Chapter 3, "Configuring CFS"
EEM event correlation	Added support for multiple event triggers in a single EEM policy.	5.2(1)	Chapter 21, "Configuring EEE"

Feature	Description	Changed in Release	Where Documented
ERSPAN	Added ERSPAN source support for Cisco Nexus 2000 Series Fabric Extender interfaces.	5.2(1)	Chapter 18, "Configuring ERSPAN"
ERSPAN	Added the ability to configure the multicast best effort mode for an ERSPAN session.	5.2(1)	Chapter 18, "Configuring ERSPAN"
HTTP proxy server for Smart Call Home	Added the ability to send HTTP messages through an HTTP proxy server.	5.2(1)	Chapter 8, "Configuring Smart Call Home"
LLDP	Added LLDP support for the Cisco Nexus 2000 Series Fabric Extender.	5.2(1)	Chapter 19, "Configuring LLDP"
NetFlow	Added NetFlow support on switch virtual interfaces (SVIs) for F1 Series ports.	5.2(1)	Chapter 20, "Configuring NetFlow"
NTP	Added NTP support for all VDCs, enabling them to act as time servers.	5.2(1)	Chapter 4, "Configuring NTP"
NTP	Added the ability to configure the device as an authoritative NTP server, enabling it to distribute time even when it is not synchronized to an existing time server.	5.2(1)	Chapter 4, "Configuring NTP"
NTP	Changed the command to enable or disable NTP from [no] ntp enable to [no] feature ntp.	5.2(1)	Chapter 4, "Configuring NTP"
NTP access groups	Added the serve, serve-only, and query-only access group options to control access to additional NTP services.	5.2(1)	Chapter 4, "Configuring NTP"
Online diagnostics (GOLD)	Added the serve, serve-only, and query-only access group options to control access to additional NTP services.	5.2(1)	Chapter 14, "Configuring Online Diagnostics"
Online diagnostics (GOLD)	Enabled the SpineControlBus test on the standby supervisor.	5.2(1)	Chapter 14, "Configuring Online Diagnostics"
Online diagnostics (GOLD)	Deprecated the SnakeLoopback test on F1 Series modules.	5.2(1)	Chapter 14, "Configuring Online Diagnostics"
PTP	Added support for the Precision Time Protocol (PTP).	5.2(1)	Chapter 5, "Configuring PTP"

Feature	Description	Changed in Release	Where Documented
SPAN	Added SPAN source support for Cisco Nexus 2000 Series Fabric Extender interfaces.	5.2(1)	Chapter 17, "Configuring SPAN"
SPAN	Added the ability to configure MTU truncation, the source rate limit, and the multicast best effort mode for each SPAN session.	5.2(1)	Chapter 17, "Configuring SPAN"
System message logging	Added the ability to add the description for physical Ethernet interfaces and subinterfaces in the system message log.	5.2(1)	Chapter 7, "Configuring System Message Logging"
Online diagnostics (GOLD)	Added support for the SnakeLoopback test on F1 Series modules.	5.1(2)	Chapter 14, "Configuring Online Diagnostics"
Bridged NetFlow	Added support for VLAN configuration mode, which enables you to configure VLANs independently of their creation, when configuring bridged NetFlow on a VLAN.	5.1(1)	Chapter 20, "Configuring NetFlow"
DCBXP	This link layer protocol is used to announce, exchange, and negotiate node parameters between peers.	5.1(1)	Chapter 19, "Configuring LLDP"
ERSPAN and ERSPAN ACLs	You can configure ERSPAN to monitor traffic across the IP network.	5.1(1)	Chapter 18, "Configuring ERSPAN"
Online diagnostics (GOLD)	Added support for FIPS and BootupPortLoopback tests.	5.1(1)	Chapter 14, "Configuring Online Diagnostics"
RMON	Enabled RMON by default.	5.1(1)	Chapter 17, "Configuring SPAN"
SPAN	Added support for F1 Series modules and increased the number of supported SPAN sessions from 18 to 48.	5.1(1)	Chapter 17, "Configuring SPAN"
Syslog as EEM publisher	You can monitor syslog messages from the switch.	5.1(1)	Chapter 21, "Configuring EEE"
Syslog servers	Increased the number of supported syslog servers from three to eight.	5.1(1)	Chapter 7, "Configuring System Message Logging"
SMTP server configuration for Smart Call Home	You can configure multiple SMTP servers for Smart Call Home.	5.0(2)	Chapter 8, "Configuring Smart Call Home"

Feature	Description	Changed in Release	Where Documented
VRF support for HTTP transport of Smart Call Home messages	VRFs can be used to send e-mail and other Smart Call Home messages over HTTP.	5.0(2)	Chapter 8, “Configuring Smart Call Home”
Smart Call Home crash notifications	Messages are sent for process crashes on line cards (as well as supervisor modules).	5.0(2)	Chapter 8, “Configuring Smart Call Home”
EEM system policies	Fan EEM policies are modified for the Cisco Nexus 7000 10-Slot Switch.	5.0(2)	Appendix B, “Embedded Event Manager System Events and Configuration Examples”
LLDP	You can configure the Link Layer Discovery Protocol (LLDP) in order to discover other devices on the local network.	5.0(2)	Chapter 19, “Configuring LLDP”
NetFlow	You can specify the NetFlow instance for which you want to display NetFlow IPv4 flows and NetFlow table utilization.	5.0(2)	Chapter 20, “Configuring NetFlow”
NTP access groups	You can control access to NTP services by using access groups.	5.0(2)	Chapter 4, “Configuring NTP”
NTP authentication	You can configure the device to authenticate the time sources to which the local clock is synchronized.	5.0(2)	Chapter 4, “Configuring NTP”
NTP logging	You can configure NTP logging in order to generate system logs with significant NTP events.	5.0(2)	Chapter 4, “Configuring NTP”
NTP server configuration	Added the optional key keyword to the ntp server command to configure a key to be used while communicating with the NTP server.	5.0(2)	Chapter 4, “Configuring NTP”
SNMP notifications	Updated the snmp-server enable traps commands.	5.0(2)	Chapter 12, “Configuring SNMP”







## CHAPTER 2

# Overview

---

This chapter describes the system management features that you can use to monitor and manage Cisco NX-OS devices.

This chapter contains the following sections:

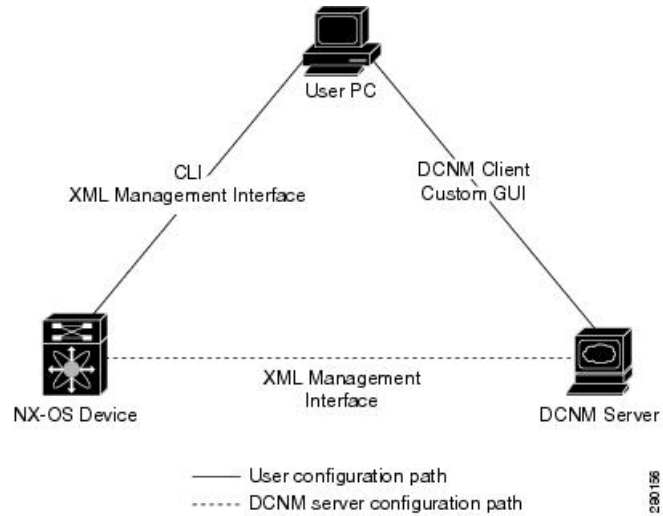
- [Cisco NX-OS Device Configuration Methods, on page 11](#)
- [Cisco Fabric Services, on page 13](#)
- [Network Time Protocol, on page 13](#)
- [Precision Time Protocol, on page 13](#)
- [Cisco Discovery Protocol, on page 13](#)
- [System Messages, on page 14](#)
- [Smart Call Home, on page 14](#)
- [Rollback, on page 14](#)
- [Session Manager, on page 14](#)
- [Scheduler, on page 14](#)
- [SNMP, on page 14](#)
- [RMON, on page 15](#)
- [Online Diagnostics, on page 15](#)
- [Embedded Event Manager, on page 15](#)
- [Onboard Failure Logging, on page 15](#)
- [SPAN, on page 15](#)
- [ERSPAN, on page 15](#)
- [LLDP, on page 16](#)
- [NetFlow, on page 16](#)
- [FabricPath, on page 16](#)
- [EEE, on page 16](#)
- [Troubleshooting Features, on page 16](#)

## Cisco NX-OS Device Configuration Methods

You can configure devices using direct network configuration methods or web services hosted on a Cisco Data Center Network Management (DCNM) server.

This figure shows the device configuration methods available to a network user.

Figure 1: Cisco NX-OS Device Configuration Methods



This table lists the configuration method and the document where you can find more information.

Table 1: Configuration Methods Book Links

Configuration Method	Document
CLI from a Secure Shell (SSH) session, a Telnet session, or the console port	<i>Cisco Nexus 7000 Series NX-OS Fundamentals Configuration Guide</i>
XML management interface	<i>Cisco NX-OS XML Management Interface User Guide</i>
Cisco DCNM client	<i>Cisco DCNM Fundamentals Guide</i>
User-defined GUI	<i>Web Services API Guide, Cisco DCNM for LAN Release 5.x</i>

This section includes the following topics:

- Configuring with CLI or XML Management Interface
- Configuring with Cisco DCNM or a Custom GUI

## Configuring with CLI or XML Management Interface

You can configure Cisco NX-OS devices using the command-line interface (CLI) or the XML management interface over Secure Shell (SSH) as follows:

- CLI from an SSH session, a Telnet session, or the console port—You can configure devices using the CLI from an SSH session, a Telnet session, or the console port. SSH provides a secure connection to the device. For more information, see the *Cisco Nexus 7000 Series NX-OS Fundamentals Configuration Guide*.

- XML management interface over SSH—You can configure devices using the XML management interface, which is a programmatic method based on the NETCONF protocol that complements the CLI functionality. For more information, see the *Cisco NX-OS XML Management Interface User Guide*.

## Configuring with Cisco DCNM or a Custom GUI

You can configure Cisco NX-OS devices using the Cisco DCNM client or from your own GUI as follows:

- **Cisco DCNM Client**—You can configure devices using the Cisco DCNM client, which runs on your local PC and uses web services on the Cisco DCNM server. The Cisco DCNM server configures the device over the XML management interface. For more information about the Cisco DCNM client, see the *Fundamentals Configuration Guide, Cisco DCNM for LAN, Release 5.x*.
- **Custom GUI**—You can create your own GUI to configure devices using the Cisco DCNM web services application program interface (API) on the Cisco DCNM server. You use the SOAP protocol to exchange XML-based configuration messages with the Cisco DCNM server. The Cisco DCNM server configures the device over the XML management interface. For more information about creating custom GUIs, see the *Web Services API Guide, Cisco DCNM for LAN, Release 5.x*.

## Cisco Fabric Services

Cisco Fabric Services (CFS) is a Cisco proprietary feature that distributes data, including configuration changes, to all Cisco NX-OS devices in a network.

## Network Time Protocol

The Network Time Protocol (NTP) synchronizes the time of day among a set of distributed time servers and clients so that you can correlate time-specific information, such as system logs, received from the devices in your network.

## Precision Time Protocol

The Precision Time Protocol (PTP) is a time synchronization protocol for nodes distributed across a network. Its hardware timestamp feature provides greater accuracy than other time synchronization protocols such as Network Time Protocol (NTP). For more information about PTP.

## Cisco Discovery Protocol

You can use the Cisco Discovery Protocol (CDP) to discover and view information about all Cisco equipment that is directly attached to your device. CDP runs on all Cisco-manufactured equipment including routers, bridges, access and communication servers, and switches. CDP is media and protocol independent, and gathers the protocol addresses of neighboring devices, discovering the platform of those devices. CDP runs over the data link layer only. Two systems that support different Layer 3 protocols can learn about each other.

## System Messages

You can use system message logging to control the destination and to filter the severity level of messages that system processes generate. You can configure logging to a terminal session, a log file, and syslog servers on remote systems.

System message logging is based on RFC 3164. For more information about the system message format and the messages that the device generates, see the *Cisco NX-OS System Messages Reference*.

## Smart Call Home

Call Home provides an e-mail-based notification of critical system policies. Cisco NX-OS provides a range of message formats for optimal compatibility with pager services, standard e-mail, or XML-based automated parsing applications. You can use this feature to page a network support engineer, e-mail a Network Operations Center, or use Cisco Smart Call Home services to automatically generate a case with the Technical Assistance Center.

## Rollback

The rollback feature allows you to take a snapshot, or checkpoint, of the device configuration and then reapply that configuration at any point without having to reload. Rollback allows any authorized administrator to apply this checkpoint configuration without requiring expert knowledge of the features configured in the checkpoint.

Session Manager allows you to create a configuration session and apply all commands within that session atomically.

## Session Manager

Session Manager allows you to create a configuration and apply it in batch mode after the configuration is reviewed and verified for accuracy and completeness.

## Scheduler

The scheduler allows you to create and manage jobs such as routinely backing up data or making quality of service (QoS) policy changes. The scheduler can start a job according to your needs—only once at a specified time or at periodic intervals.

## SNMP

The Simple Network Management Protocol (SNMP) is an application-layer protocol that provides a message format for communication between SNMP managers and agents. SNMP provides a standardized framework and a common language used for the monitoring and management of devices in a network.

# RMON

Remote monitoring (RMON) is an Internet Engineering Task Force (IETF) standard monitoring specification that allows various network agents and console systems to exchange network monitoring data. Cisco NX-OS supports RMON alarms, events, and logs to monitor Cisco NX-OS devices.

## Online Diagnostics

Cisco Generic Online Diagnostics (GOLD) define a common framework for diagnostic operations across Cisco platforms. The online diagnostic framework specifies the platform-independent fault-detection architecture for centralized and distributed systems, including the common diagnostics CLI and the platform-independent fault-detection procedures for boot-up and run-time diagnostics. The platform-specific diagnostics provide hardware-specific fault-detection tests and allow you to take appropriate corrective action in response to diagnostic test results.

## Embedded Event Manager

The Embedded Event Manager (EEM) allows you to detect and handle critical events in the system. EEM provides event detection and recovery, including monitoring of events either as they occur or as thresholds are crossed.

## Onboard Failure Logging

You can configure a device to log failure data to persistent storage, which you can retrieve and display for analysis at a later time. This on-board failure logging (OBFL) feature stores failure and environmental information in nonvolatile memory on the module. This information is useful for analysis of failed modules.

## SPAN

You can configure an Ethernet Switched Port Analyzer (SPAN) to monitor traffic in and out of your device. The SPAN features allow you to duplicate packets from source ports to destination ports.

## ERSPAN

Encapsulated remote switched port analyzer (ERSPAN) is used to transport mirrored traffic in an IP network. ERSPAN supports source ports, source VLANs, and destinations on different switches, which provide remote monitoring of multiple switches across your network. ERSPAN uses a generic routing encapsulation (GRE) tunnel to carry traffic between switches.

ERSPAN consists of an ERSPAN source session, routable ERSPAN GRE-encapsulated traffic, and an ERSPAN destination session. You separately configure ERSPAN source sessions and destination sessions on different switches.

To configure an ERSPAN source session on one switch, you associate a set of source ports or VLANs with a destination IP address, ERSPAN ID number, and virtual routing and forwarding (VRF) name. To configure an ERSPAN destination session on another switch, you associate the destinations with the source IP address, the ERSPAN ID number, and a VRF name. The ERSPAN source session copies traffic from the source ports or source VLANs and forwards the traffic using routable GRE-encapsulated packets to the ERSPAN destination session. The ERSPAN destination session switches the traffic to the destinations.

## LLDP

Link Layer Discovery Protocol (LLDP) is a vendor-neutral, one-way device discovery protocol that allows network devices to advertise information about themselves to other devices on the network. This protocol runs over the data-link layer, which allows two systems running different network layer protocols to learn about each other. You can enable LLDP globally or per interface.

## NetFlow

NetFlow identifies packet flows for both ingress and egress IP packets and provide statistics based on these packet flows. NetFlow does not require any change to either the packets themselves or to any networking device.

## FabricPath

FabricPath brings the benefits of Layer 3 routing to Layer 2 switched networks to build a highly resilient and scalable Layer 2 fabric. The system manager is responsible for starting the FabricPath resources process and monitoring heartbeats.

## EEE

Energy Efficient Ethernet (EEE) is an IEEE 802.3az standard that is designed to reduce power consumption in Ethernet networks during idle periods. EEE can be enabled on devices that support low power idle (LPI) mode. Such devices can save power by entering LPI mode during periods of low utilization. In LPI mode, systems on both ends of the link can save power by shutting down certain services. EEE provides the protocol needed to transition into and out of LPI mode in a way that is transparent to upper layer protocols and applications.

## Troubleshooting Features

Cisco NX-OS provides troubleshooting tools such as ping, traceroute, Ethalyzer, and the Blue Beacon feature.

When a service fails, the system generates information that can be used to determine the cause of the failure. The following sources of information are available:

- Every service restart generates a syslog message of level LOG\_ERR.
- If the Smart Call Home service is enabled, every service restart generates a Smart Call Home event.

- If SNMP traps are enabled, the SNMP agent sends a trap when a service is restarted.
- When a service failure occurs on a local module, you can view a log of the event by entering the **show processes log** command in that module. The process logs are persistent across supervisor switchovers and resets.
- When a service fails, a system core image file is generated. You can view recent core images by entering the **show cores** command on the active supervisor. Core files are not persistent across supervisor switchovers and resets, but you can configure the system to export core files to an external server using the file transfer utility Trivial File Transfer Protocol (TFTP) by entering the **system cores** command.
- CISCO-SYSTEM-MIB contains a table for cores (cseSwCoresTable).







## CHAPTER 3

# Configuring CFS

---

This chapter describes how to use Cisco Fabric Services (CFS), a Cisco proprietary feature that distributes data, including configuration changes, to all Cisco NX-OS devices in a network.

This chapter includes the following sections:

- [Finding Feature Information, on page 19](#)
- [About CFS, on page 19](#)
- [Licensing Requirements for CFS, on page 23](#)
- [Prerequisites for CFS, on page 23](#)
- [Guidelines and Limitations for CFS, on page 23](#)
- [Default Settings for CFS, on page 24](#)
- [Configuring CFS Distribution, on page 25](#)
- [Verifying the CFS Configuration, on page 41](#)
- [Additional References for CFS, on page 42](#)
- [Feature History for CFS, on page 43](#)

## Finding Feature Information

Your software release might not support all the features documented in this module. For the latest caveats and feature information, see the Bug Search Tool at <https://tools.cisco.com/bugsearch/> and the release notes for your software release. To find information about the features documented in this module, and to see a list of the releases in which each feature is supported, see the "New and Changed Information" chapter or the Feature History table in this chapter.

## About CFS

You can use Cisco Fabric Services (CFS) to distribute and synchronize a configuration on one Cisco device with all other Cisco devices in your network. CFS provides you with consistent and, in most cases, identical configurations and behavior in your network.

## Applications that Use CFS to Distribute Configuration Changes

CFS distributes configuration changes for the applications listed in the following table.

Table 2: CFS-Supported Applications

Application	Default State
Device alias	Enabled
DPVM	Enabled
FC domain	Disabled
FC port security	Disabled
FC timer	Disabled
IVR	Disabled
NTP	Disabled
RADIUS	Disabled
RSCN	Disabled
Smart Call Home	Disabled
TACACS+	Disabled
User roles	Disabled

## CFS Distribution

CFS distributes configuration changes to multiple devices across a complete network. CFS supports the following types of distribution:

- CFS over Ethernet (CFS over Ethernet)—Distributes application data over an Ethernet network.
- CFS over IP (CFS over IP)—Distributes application data over an IPv4 network.
- CFS over Fibre Channel (CFS over Fibre Channel)—Distributes application data over a Fibre Channel, such as a virtual storage area network (VSAN). If the device is provisioned with Fibre Channel ports, CFS over Fibre Channel is enabled by default.

Beginning with Cisco NX-OS Release 5.2, you can configure Fibre Channel over Ethernet (FCoE), which allows Fibre Channel traffic to be encapsulated over a physical Ethernet link. To run FCoE on a Cisco Nexus 7000 Series switch, you must configure a dedicated storage virtual device context (VDC). If FCoE is enabled on the device, CFS over Fibre Channel services can be used. The applications that require CFS distribution to be enabled in the storage VDC are noted in the configuration instructions throughout this chapter. For more information on FCoE and storage VDCs, see the *Cisco NX-OS FCoE Configuration Guide for Cisco Nexus 7000 and Cisco MDS 9500* and the *Cisco Nexus 7000 Series NX-OS Virtual Device Context Configuration Guide*.




---

**Note** All of the information in this chapter applies to both CFS over IP and CFS over Fibre Channel, unless otherwise noted.

---

## CFS Distribution Modes

CFS supports three distribution modes to accommodate different feature requirements. Only one mode is allowed at a given time.

- Uncoordinated distributions—Distribute information that is not expected to conflict with that from a peer. Parallel uncoordinated distributions are allowed for an application.
- Coordinated distributions—Distribute information that can be manipulated and distributed from multiple devices (for example, the port security configuration). Coordinated distributions allow only one application distribution at a given time. CFS uses locks to enforce this. A coordinated distribution is not allowed to start if locks are acquired for the application anywhere in the network. A coordinated distribution consists of three stages:
  - A network lock is acquired.
  - The configuration is distributed and committed.
  - The network lock is released.

CFS can execute these stages in response to an application request without intervention from the application or under complete control of the application.

- Unrestricted uncoordinated distributions—Allow multiple parallel distributions in the network in the presence of an existing coordinated distribution. Unrestricted uncoordinated distributions are allowed to run in parallel with all other types of distributions.

## CFS Connectivity in a Mixed Fabric

CFS is an infrastructure component that also runs on the Cisco Nexus 7000 Series switches, Cisco Nexus 5000 Series switches, and Cisco MDS 9000 switches. A mixed fabric of different platforms (such as the Cisco Nexus 9000 Series, Cisco Nexus 7000 Series, Cisco Nexus 5000 Series, and Cisco MDS 9000 switches) can interact with each other.

Using CFS over IP, the respective CFS clients can also talk to their instances running on the other platforms. Within a defined domain and distribution scope, CFS can distribute the client's data and configuration to its peers running on other platforms.

All three platforms support both CFS over IP and CFS over FC. However, the Cisco Nexus 7000 Series and Cisco Nexus 5000 Series switches require an FC or FCoE plugin and corresponding configuration in order for CFS over FC to operate. Both options are available by default on the Cisco MDS 9000 switches.



**Note** Some applications are not compatible with their instances running on different platforms. Therefore, Cisco recommends that you carefully read the client guidelines for CFS distribution before committing the configuration.

For more information on CFS for the Cisco Nexus 7000 Series, Cisco Nexus 5000 Series, and Cisco MDS 9000 switches, see the *Cisco Nexus 7000 Series NX-OS System Management Configuration Guide*, *Cisco Nexus 5000 Series NX-OS System Management Configuration Guide*, and *Cisco MDS 9000 Family NX-OS System Management Configuration Guide*, respectively.

## CFS Merge Support

An application keeps the configuration synchronized in the fabric through CFS. When two such fabrics become reachable to one another, CFS triggers a merge. These two fabrics could have two different sets of configuration information that need to be reconciled in the event of a merge. CFS provides notification each time an application peer comes online. If a fabric with M application peers merges with another fabric with N application peers and if an application triggers a merge action on every notification, a link-up event results in MxN merges in the fabric.

CFS supports a protocol that reduces the number of merges required to one by handling the complexity of the merge at the CFS layer. This protocol runs per application per scope. The protocol involves selecting one device in a fabric as the merge manager for that fabric. The other devices do not have a role in the merge process.

During a merger of two networks, their designated managers exchange configuration databases. The application on one of them merges the databases, decides if the merge is successful, and notifies all other devices.

In the merge is successful, the merged database is distributed to all devices in the combined fabric, and the entire new fabric remains in a consistent state.

## Locking the Network

When you configure an application that uses the CFS infrastructure, that application starts a CFS session and locks the network. When a network is locked, the device software allows configuration changes to this application only from the device holding the lock. If you make configuration changes to the application from another device, the device issues a message to inform the user about the locked status. The configuration changes are held in a pending database by that application.

If you start a CFS session that requires a network lock but forget to end the session, an administrator can clear the session. If you lock a network at any time, your username is remembered across restarts and switchovers. If another user (on the same machine) tries to perform configuration tasks, that user's attempts are rejected.

## CFS Regions

A CFS region is a user-defined subset of devices for a given feature or application. You usually define regions to localize or restrict distribution based on devices that are close to one another. When a network covers many geographies with many different administrators who are responsible for subsets of devices, you can manage the scope of an application by setting up a CFS region.

CFS regions are identified by numbers ranging from 0 through 200. Region 0 is reserved as the default region and contains every device in the network. You can configure regions from 1 through 200.



---

**Note**

If an application is moved (that is, assigned to a new region), its scope is restricted to that region, and it ignores all other regions for distribution or merging purposes. The assignment of the region to an application has precedence in distribution over its initial scope.

---

You can configure a CFS region to distribute configurations for multiple applications. However, on a given device, you can configure only one CFS region at a time to distribute the configuration for a given application. Once you assign an application to a CFS region, its configuration cannot be distributed within another CFS region.

## High Availability

Stateless restarts are supported for CFS. After a reboot or a supervisor switchover, the running configuration is applied. For more information on high availability, see the *Cisco Nexus 9000 Series NX-OS High Availability and Redundancy Guide*.

## Licensing Requirements for CFS

Product	License Requirement
Cisco NX-OS	CFS requires no license. Any feature not included in a license package is bundled with the Cisco NX-OS system images and is provided at no extra charge to you. For a complete explanation of the Cisco NX-OS licensing scheme, see the <i>Cisco NX-OS Licensing Guide</i> .

## Prerequisites for CFS

CFS has the following prerequisites:

- CFS is enabled by default. All devices in the fabric must have CFS enabled, or they do not receive distributions.
- If CFS is disabled for an application, that application does not distribute any configuration, and it does not accept a distribution from other devices in the fabric.

## Guidelines and Limitations for CFS

CFS has the following configuration guidelines and limitations:

- If the virtual port channel (vPC) feature is enabled for your device, do not disable CFSvE.




---

**Note** CFSvE must be enabled for the vPC feature to work.

---

- All CFSvIP-enabled devices with similar multicast addresses form one CFSvIP fabric.
- Make sure that CFS is enabled for the applications that you want to configure.
- Anytime you lock a fabric, your username is remembered across restarts and switchovers.
- Anytime you lock a fabric, configuration changes attempted by anyone else are rejected.
- While a fabric is locked, the application holds a working copy of configuration changes in a pending database or temporary storage area, not in the running configuration.

- Configuration changes that have not been committed yet (still saved as a working copy) are not in the running configuration and do not display in the output of **show** commands.
- If you start a CFS session that requires a fabric lock but forget to end the session, an administrator can clear the session.
- An empty commit is allowed if configuration changes are not previously made. In this case, the **commit** command results in a session that acquires locks and distributes the current database.
- You can use the **commit** command only on the specific device where the fabric lock was acquired.
- CFSoIP and CFSoE are not supported for use together.
- CFS regions can be applied only to CFSoIP applications.
- You cannot distribute the user role configuration between a Cisco MDS 9500 Series switch and the storage VDC configured for a Cisco Nexus 7000 Series switch. To prevent this distribution, make sure to assign the user role configuration in Cisco MDS and the Cisco Nexus 7000 storage VDC to different CFS regions.
- CFS uses the same MAC address 01:80:c2:00:00:0e as the standard IEEE protocol Link Layer Discovery Protocol (LLDP), and sniffer software such as Ethalyzer or Wireshark decodes CFS traffic as LLDP traffic.

## Default Settings for CFS

*Table 3: Default CFS Parameters*

Parameters	Default
CFS distribution on the device	Enabled
CFSoIP	Disabled
IPv4 multicast address	239.255.70.83
CFSoFC	Enabled, if FCoE is present
CFSoE	Disabled

# Configuring CFS Distribution

## Enabling CFS Distribution for Applications

### Enabling CFS to Distribute Smart Call Home Configurations

You can enable CFS to distribute Call Home configurations to all Cisco NX-OS devices in the network. The entire Call Home configuration is distributed except the device priority and the sysContact names.

#### Procedure

	Command or Action	Purpose
<b>Step 1</b>	switch# <b>configure terminal</b>	Enters global configuration mode.
<b>Step 2</b>	switch(config)# <b>callhome</b>	Enters Call Home configuration mode.
<b>Step 3</b>	switch(config-callhome)# <b>distribute</b>	Enables CFS to distribute Smart Call Home configuration updates.
<b>Step 4</b>	(Optional) switch(config-callhome)# <b>show application-name status</b>	For the specified application, displays the CFS distribution status.
<b>Step 5</b>	(Optional) switch(config-callhome)# <b>copy running-config startup-config</b>	Saves the change persistently through reboots and restarts by copying the running configuration to the startup configuration.

#### Example

```
switch# configure terminal
switch(config)# callhome
switch(config-callhome)# distribute
switch(config-callhome)# show callhome status
Distribution : Enabled
switch(config-callhome)# copy running-config startup-config
```

### Enabling CFS to Distribute Device Alias Configurations

You can enable CFS to distribute device alias configurations in order to consistently administer and maintain the device alias database across all Cisco NX-OS devices in the fabric.

#### Before you begin

Make sure that you are in the storage VDC. To change to the storage VDC, use the **switchto vdc fcoe** command.

#### Procedure

	Command or Action	Purpose
<b>Step 1</b>	switch# <b>configure terminal</b>	Enters global configuration mode.

	Command or Action	Purpose
<b>Step 2</b>	switch(config)# <b>device-alias distribute</b>	Enables CFS to distribute device alias configuration updates.
<b>Step 3</b>	(Optional) switch(config)# <b>show cfs application</b>	Displays the CFS distribution status.
<b>Step 4</b>	(Optional) switch(config)# <b>copy running-config startup-config</b>	Saves the change persistently through reboots and restarts by copying the running configuration to the startup configuration.

### Example

This example shows how to enable CFS to distribute device alias configurations:

```
switch(config)# device-alias distribute
switch(config)# show cfs application
-----
Application Enabled Scope
-----
device-alias Yes Physical-fc
switch(config)# copy running-config startup-config
[#####] 100%
```

## Enabling CFS to Distribute DPVM Configurations

You can enable CFS to distribute dynamic port VSAN membership (DPVM) configurations in order to consistently administer and maintain the DPVM database across all Cisco NX-OS devices in the fabric.

### Before you begin

Make sure that you are in the storage VDC. To change to the storage VDC, use the **switchto vdc fcoe** command.

Make sure that you enable the DPVM feature. To do so, use the **feature dpvm** command.

### Procedure

	Command or Action	Purpose
<b>Step 1</b>	switch# <b>configure terminal</b>	Enters global configuration mode.
<b>Step 2</b>	switch(config)# <b>dpvm distribute</b>	Enables CFS to distribute DPVM configuration updates.
<b>Step 3</b>	(Optional) switch(config)# <b>show application-name status</b>	For the specified application, displays the CFS distribution status.
<b>Step 4</b>	(Optional) switch(config)# <b>copy running-config startup-config</b>	Saves the change persistently through reboots and restarts by copying the running configuration to the startup configuration.



### Example

This example shows how to enable CFS to distribute DPVM configurations:

```
switch(config)# dpvm distribute
switch(config)# show dpvm status
Distribution is enabled.
switch(config)# copy running-config startup-config
[#####] 100%
```

## Enabling CFS to Distribute FC Domain Configurations

You can enable CFS to distribute Fibre Channel (FC) domain configurations in order to synchronize the configuration across the fabric from the console of a single Cisco NX-OS device and to ensure consistency in the allowed domain ID lists on all devices in the VSAN.

### Before you begin

Make sure that you are in the storage VDC. To change to the storage VDC, use the **switchto vdc fcoe** command.

### Procedure

	Command or Action	Purpose
<b>Step 1</b>	switch# <b>configure terminal</b>	Enters global configuration mode.
<b>Step 2</b>	switch(config)# <b>fcdomain distribute</b>	Enables CFS to distribute FC domain configuration updates.
<b>Step 3</b>	(Optional) switch(config)# <b>show application-name status</b>	For the specified application, displays the CFS distribution status.
<b>Step 4</b>	(Optional) switch(config)# <b>copy running-config startup config</b>	Saves the change persistently through reboots and restarts by copying the running configuration to the startup configuration.

### Example

This example shows how to enable CFS to distribute FC domain configurations:

```
switch(config)# fcdomain distribute
switch(config)# show fcdomain status
fcdomain distribution is enabled
switch(config)# copy running-config startup-config
[#####] 100%
```

## Enabling CFS to Distribute FC Port Security Configurations

You can enable CFS to distribute Fibre Channel (FC) port security configurations in order to provide a single point of configuration for the entire fabric in the VSAN and to enforce the port security policies throughout the fabric.

### Before you begin

Make sure that you are in the storage VDC. To change to the storage VDC, use the **switchto vdc fcoe** command.

Make sure that you enable the FC port security feature. To do so, use the **feature fc-port-security** command.

### Procedure

	Command or Action	Purpose
<b>Step 1</b>	switch# <b>configure terminal</b>	Enters global configuration mode.
<b>Step 2</b>	switch(config)# <b>fc-port-security distribute</b>	Enables CFS to distribute FC port security configuration updates.
<b>Step 3</b>	(Optional) switch(config)# <b>show cfs application</b>	Displays the CFS distribution status.
<b>Step 4</b>	(Optional) switch(config)# <b>copy running-config startup config</b>	Saves the change persistently through reboots and restarts by copying the running configuration to the startup configuration.

### Example

This example shows how to enable CFS to distribute FC port security configurations:

```
switch(config)# fc-port-security distribute
switch(config)# show cfs application
-----
Application Enabled Scope
-----
fc-port-securi Yes Logical
switch(config)# copy running-config startup-config
[#####] 100%
```

## Enabling CFS to Distribute FC Timer Configurations

You can enable CFS to distribute Fibre Channel (FC) timer configurations for all Cisco NX-OS devices in the fabric.

### Before you begin

Make sure that you are in the storage VDC. To change to the storage VDC, use the **switchto vdc fcoe** command.

**Procedure**

	<b>Command or Action</b>	<b>Purpose</b>
<b>Step 1</b>	switch# <b>configure terminal</b>	Enters global configuration mode.
<b>Step 2</b>	switch(config)# <b>ftimer distribute</b>	Enables CFS to distribute FC timer configuration updates.
<b>Step 3</b>	(Optional) switch(config)# <b>show application-name status</b>	For the specified application, displays the CFS distribution status.
<b>Step 4</b>	(Optional) switch(config)# <b>copy running-config startup-config</b>	Saves the change persistently through reboots and restarts by copying the running configuration to the startup configuration.

**Example**

This example shows how to enable CFS to distribute FC timer configurations:

```
switch(config)# ftimer distribute
switch(config)# show ftimer status
Distribution : Enabled
switch(config)# copy running-config startup-config
[#####] 100%
```

**Enabling CFS to Distribute IVR Configurations**

You can enable CFS to distribute inter-VSAN routing (IVR) configurations in order to enable efficient IVR configuration management and to provide a single point of configuration for the entire fabric in the VSAN.

**Before you begin**

Make sure that you are in the storage VDC. To change to the storage VDC, use the **switchto vdc fcoe** command.

Make sure that you install the Advanced SAN Services license.

Make sure that you enable the IVR feature. To do so, use the **feature ivr** command.

**Procedure**

	<b>Command or Action</b>	<b>Purpose</b>
<b>Step 1</b>	switch# <b>configure terminal</b>	Enters global configuration mode.
<b>Step 2</b>	switch(config)# <b>ivr distribute</b>	Enables CFS to distribute IVR configuration updates.  <b>Note</b> You must enable IVR distribution on all IVR-enabled switches in the fabric.
<b>Step 3</b>	(Optional) switch(config)# <b>show cfs application</b>	Displays the CFS distribution status.

	Command or Action	Purpose
<b>Step 4</b>	(Optional) switch(config)# <b>copy running-config startup config</b>	Saves the change persistently through reboots and restarts by copying the running configuration to the startup configuration.

### Example

This example shows how to enable CFS to distribute IVR configurations:

```
switch(config)# ivr distribute
switch(config)# show cfs application
-----
Application Enabled Scope
-----
ivr Yes Physical-fc
switch(config)# copy running-config startup-config
[#####] 100%
```

## Enabling CFS to Distribute NTP Configurations

You can enable CFS to distribute NTP configurations to all Cisco NX-OS devices in the network.

### Before you begin

Make sure that you enable the NTP feature (using the **feature ntp** command).

### Procedure

	Command or Action	Purpose
<b>Step 1</b>	switch# <b>configure terminal</b>	Enters global configuration mode.
<b>Step 2</b>	switch(config)# <b>ntp distribute</b>	Enables CFS to distribute NTP configuration updates.
<b>Step 3</b>	(Optional) switch(config)# <b>show application-name status</b>	For the specified application, displays the CFS distribution status.
<b>Step 4</b>	(Optional) switch(config)# <b>copy running-config startup config</b>	Saves the change persistently through reboots and restarts by copying the running configuration to the startup configuration.

### Example

```
switch# configure terminal
switch(config)# ntp distribute
switch(config)# show ntp status
Distribution : Enabled
switch(config)# copy running-config startup-config
```

## Enabling CFS to Distribute RADIUS Configurations

You can enable CFS to distribute RADIUS configurations to all Cisco NX-OS devices in the network.

### Procedure

	Command or Action	Purpose
<b>Step 1</b>	switch# <b>configure terminal</b>	Enters global configuration mode.
<b>Step 2</b>	switch(config)# <b>radius distribute</b>	Enables CFS to distribute RADIUS configuration updates.
<b>Step 3</b>	(Optional) switch(config)# <b>show application-name status</b>	For the specified application, displays the CFS distribution status.
<b>Step 4</b>	(Optional) switch(config)# <b>copy running-config startup-config</b>	Saves the change persistently through reboots and restarts by copying the running configuration to the startup configuration.

### Example

```
switch# configure terminal
switch(config)# radius distribute
switch(config)# show radius status
Distribution : Enabled
switch(config)# copy running-config startup-config
```

## Enabling CFS to Distribute RSCN Configurations

You can enable CFS to distribute registered state change notification (RSCN) configurations to all Cisco NX-OS devices in the fabric.

### Before you begin

Make sure that you are in the storage VDC. To change to the storage VDC, use the **switchto vdc fcoe** command.

### Procedure

	Command or Action	Purpose
<b>Step 1</b>	switch# <b>configure terminal</b>	Enters global configuration mode.
<b>Step 2</b>	switch(config)# <b>rscn distribute</b>	Enables CFS to distribute RSCN configuration updates.
<b>Step 3</b>	(Optional) switch(config)# <b>show cfs application</b>	Displays the CFS distribution status.
<b>Step 4</b>	(Optional) switch(config)# <b>copy running-config startup-config</b>	Saves the change persistently through reboots and restarts by copying the running configuration to the startup configuration.

**Example**

This example shows how to enable CFS to distribute RSCN configurations:

```
switch(config)# rscn distribute
switch(config)# show cfs application
-----
Application Enabled Scope
-----
rscn Yes Logical
switch(config)# copy running-config startup-config
[#####] 100%
```

**Enabling CFS to Distribute TACACS+ Configurations**

You can enable CFS to distribute TACACS+ configurations to all Cisco NX-OS devices in the network.

**Before you begin**

Make sure that you enable the TACACS+ feature (using the **feature tacacs+** command).

**Procedure**

	Command or Action	Purpose
<b>Step 1</b>	switch# <b>configure terminal</b>	Enters global configuration mode.
<b>Step 2</b>	switch(config)# <b>tacacs+ distribute</b>	Enables CFS to distribute TACACS+ configuration updates.
<b>Step 3</b>	(Optional) switch(config)# <b>show application-name status</b>	For the specified application, displays the CFS distribution status.
<b>Step 4</b>	(Optional) switch(config)# <b>copy running-config startup config</b>	Saves the change persistently through reboots and restarts by copying the running configuration to the startup configuration.

**Example**

```
switch# configure terminal
switch(config)# tacacs+ distribute
switch(config)# show tacacs+ status
Distribution : Enabled
switch(config)# copy running-config startup-config
```

**Enabling CFS to Distribute User Role Configurations**

You can enable CFS to distribute user role configurations to all Cisco NX-OS devices in the network.

**Procedure**

	<b>Command or Action</b>	<b>Purpose</b>
<b>Step 1</b>	switch# <b>configure terminal</b>	Enters global configuration mode.
<b>Step 2</b>	switch(config)# <b>role distribute</b>	Enables CFS to distribute user role configurations.
<b>Step 3</b>	(Optional) switch(config)# <b>show application-name status</b>	For the specified application, displays the CFS distribution status.
<b>Step 4</b>	(Optional) switch(config)# <b>copy running-config startup config</b>	Saves the change persistently through reboots and restarts by copying the running configuration to the startup configuration.

**Example**

```
switch# configure terminal
switch(config)# role distribute
switch(config)# show role status
Distribution : Enabled
switch(config)# copy running-config startup-config
```

## Specifying a CFS Distribution Mode

You can specify and enable an Ethernet or IPv4 CFS distribution mode.

**Procedure**

	<b>Command or Action</b>	<b>Purpose</b>
<b>Step 1</b>	switch# <b>configure terminal</b>	Enters global configuration mode.
<b>Step 2</b>	switch(config)# <b>cfs {eth   ipv4} distribute</b>	Globally enables CFS distribution over Ethernet or IPv4 for all applications on the device.
<b>Step 3</b>	(Optional) switch(config)# <b>show cfs status</b>	Shows the current state of CFS, including the distribution mode.
<b>Step 4</b>	(Optional) switch(config)# <b>copy running-config startup config</b>	Saves the change persistently through reboots and restarts by copying the running configuration to the startup configuration.

**Example**

```
switch# configure terminal
switch(config)# cfs ipv4 distribute
switch(config)# show cfs status
Distribution : Enabled
Distribution over IP : Disabled
```

```
Distribution over Ethernet : Enabled
switch(config)# copy running-config startup-config
```

## Configuring an IP Multicast Address for CFSolP

For CFS protocol-specific distributions, such as the keepalive mechanism for detecting network topology changes, use the IP multicast address to send and receive information. You can configure the IP multicast address used to distribute CFSolPv4.

### Procedure

	Command or Action	Purpose
<b>Step 1</b>	switch# <b>configure terminal</b>	Enters global configuration mode.
<b>Step 2</b>	switch(config)# <b>no cfs ipv4 distribute</b>	Globally disables CFSolP distribution for all applications on the device.  <b>Note</b> You must disable CFSolP before you can change the multicast address.
<b>Step 3</b>	switch(config)# <b>cfs ipv4 mcast-address</b> <i>ip-address</i>	Configures the multicast address for CFS distribution over IPv4. The ranges of valid IPv4 addresses are 239.255.0.0 through 239.255.255.255 and 239.192/16 through 239.251/16.
<b>Step 4</b>	switch(config)# <b>cfs ipv4 distribute</b>	Globally enables CFSolP distribution for all applications on the device.
<b>Step 5</b>	(Optional) switch(config)# <b>show cfs status</b>	Shows the current state of CFS, including whether it is enabled, its IP mode, and its multicast addresses.
<b>Step 6</b>	(Optional) switch(config)# <b>copy running-config startup config</b>	Saves the change persistently through reboots and restarts by copying the running configuration to the startup configuration.

### Example

```
switch# configure terminal
switch(config)# no cfs ipv4 distribute
This will prevent CFS from distributing over IPv4 network.
Are you sure? (y/n) [n] y
switch(config)# cfs ipv4 mcast-address 239.255.1.1
Distribution over this IP type will be affected
Change multicast address for CFS-IP?
Are you sure? (y/n) [n] y
switch(config)# cfs ipv4 distribute
switch(config)# show cfs status
Distribution : Enabled
Distribution over IP : Enabled - mode IPv4
```



```
IPv4 multicast address : 239.255.1.1
switch(config)# copy running-config startup-config
```

## Configuring CFS Regions

### Creating a CFS Region

You can create a CFS region and add an application, such as Smart Call Home, to it.

#### Procedure

	Command or Action	Purpose
<b>Step 1</b>	switch# <b>configure terminal</b>	Enters global configuration mode.
<b>Step 2</b>	switch(config)# <b>cfs region</b> <i>region-number</i>	Creates the region and enters the configuration mode for the specified region.
<b>Step 3</b>	switch(config-cfs-region)# <i>application-name</i>	For the specified region, adds the named application.
<b>Step 4</b>	(Optional) switch(config-cfs-region)# <b>show cfs regions brief</b>	Shows all configured regions and applications but does not show peers.
<b>Step 5</b>	(Optional) switch(config-cfs-region)# <b>copy running-config startup-config</b>	Saves the change persistently through reboots and restarts by copying the running configuration to the startup configuration.

#### Example

```
switch# configure terminal
switch(config)# cfs region 4
switch(config-cfs-region)# callhome
switch(config-cfs-region)# show cfs regions brief
-----
Region Application Enabled
-----
4      callhome   yes
switch(config-cfs-region)# copy running-config startup-config
```

### Moving an Application to a Different CFS Region

You can move an application to a different region. For example, you can move NTP from region 1 to region 2.



**Note** When you move an application, its scope is restricted to the new region. It ignores all other regions for distribution or merging purposes.

**Procedure**

	<b>Command or Action</b>	<b>Purpose</b>
<b>Step 1</b>	switch# <b>configure terminal</b>	Enters global configuration mode.
<b>Step 2</b>	switch(config)# <b>cfs region</b> <i>region-number</i>	Enters the configuration mode for the specified region.
<b>Step 3</b>	Required: switch(config-cfs-region)# <i>application-name</i>	Specifies the applications to be moved.
<b>Step 4</b>	(Optional) switch(config-cfs-region)# <b>show cfs regions name</b> <i>application-name</i>	Displays peers and region information for a given application.
<b>Step 5</b>	(Optional) switch(config-cfs-region)# <b>copy running-config startup-config</b>	Copies the running configuration to the startup configuration.

**Example**

```

switch# configure terminal
switch(config)# cfs region 2
switch(config-cfs-region)# callhome
switch(config-cfs-region)# show cfs regions name callhome
Region-ID : 2
Application: callhome
Scope : Physical-fc-ip
-----
Switch WWN IP Address
-----
20:00:00:22:55:79:a4:c1 172.28.230.85 [Local]
switch
Total number of entries = 1
switch(config-cfs-region)# copy running-config startup-config

```

**Removing an Application from a CFS Region**

You can remove an application from a region. Removing an application from a region is the same as moving the application back to the default region. The default region is usually region 0. This action brings the entire fabric into the scope of distribution for the application.

**Procedure**

	<b>Command or Action</b>	<b>Purpose</b>
<b>Step 1</b>	switch# <b>configure terminal</b>	Enters global configuration mode.
<b>Step 2</b>	switch(config)# <b>cfs region</b> <i>region-number</i>	Enters the configuration mode for the specified region.
<b>Step 3</b>	Required: switch(config-cfs-region)# <b>no</b> <i>application-name</i>	Removes the specified application from the region.
<b>Step 4</b>	(Optional) Repeat Step 3 for each application that you want to remove from this region.	

	Command or Action	Purpose
<b>Step 5</b>	(Optional) switch(config-cfs-region)# <b>show cfs regions brief</b>	Shows all configured regions and applications but does not show peers.
<b>Step 6</b>	(Optional) switch(config-cfs-region)# <b>copy running-config startup-config</b>	Copies the running configuration to the startup configuration.

### Example

```
switch# configure terminal
switch(config)# cfs region 2
switch(config-cfs-region)# no ntp
switch(config-cfs-region)# show cfs regions brief
-----
Region Application Enabled
-----
4      tacacs+      yes
6      radius       yes
switch(config-cfs-region)# copy running-config startup-config
```

## Deleting a CFS Region

You can delete a region and move all included applications back to the default region.

### Procedure

	Command or Action	Purpose
<b>Step 1</b>	switch# <b>configure terminal</b>	Enters global configuration mode.
<b>Step 2</b>	switch(config)# <b>no cfs region region-number</b>	Deletes the specified region after warning that this action causes all applications in the region to move to the default region.  <b>Note</b> After you delete the region, you are returned to the global configuration mode.
<b>Step 3</b>	(Optional) switch(config)# <b>show cfs regions brief</b>	Shows all configured regions and applications but does not show peers.
<b>Step 4</b>	(Optional) switch(config)# <b>show cfs application name application-name</b>	Shows local application information by name.
<b>Step 5</b>	(Optional) switch(config)# <b>copy running-config startup config</b>	Saves the change persistently through reboots and restarts by copying the running configuration to the startup configuration.

### Example

```
switch# configure terminal
switch(config)# no cfs region 4
```

```

WARNING: All applications in the region will be moved to default region.
Are you sure? (y/n) [n] y
switch(config)# show cfs regions brief
-----
Region Application Enabled
-----
6      callhome      no
switch(config)# show cfs application name callhome
Enabled : Yes
Timeout : 20s
Merge Capable : Yes
Scope : Physical-fc-ip
Region : Default
switch(config)# copy running-config startup-config

```

## Creating and Distributing a CFS Configuration

You can create a configuration change for an application and then distribute it to its application peers.



**Caution** If you do not commit the changes, they are not distributed and saved in the running configuration of application peer devices.



**Caution** If you do not save the changes to the startup configuration in every application peer device where distributed, changes are retained only in their running configurations.

### Procedure

	Command or Action	Purpose
<b>Step 1</b>	switch# <b>configure terminal</b>	Enters global configuration mode.
<b>Step 2</b>	Required: switch(config)# <i>application-name</i>	Specifies that CFS starts a session for the specified application name and locks the fabric.
<b>Step 3</b>	Required: switch(config-callhome)# <i>application-command</i>	Specifies that configuration changes are saved as a working copy and are not saved in the running configuration until you enter the <b>commit</b> command.
<b>Step 4</b>	(Optional) Repeat Step 3 for each configuration command that you want to add.	
<b>Step 5</b>	(Optional) switch(config-callhome)# <b>show <i>application-name status</i></b>	For the specified application, displays the CFS distribution status.
<b>Step 6</b>	Required: switch(config-callhome)# <b>commit</b>	CFS distributes the configuration changes to the running configuration of every application peer device. If one or more external devices report a successful status, the software overwrites the running configuration with the

	Command or Action	Purpose
		changes from the CFS working copy and releases the fabric lock. If none of the external devices report a successful status, no changes are made, and the fabric lock remains in place.
<b>Step 7</b>	(Optional) switch(config-callhome)# <b>copy running-config startup-config</b>	Saves the change persistently through reboots and restarts by copying the running configuration to the startup configuration.

### Example

```
switch# configure terminal
switch(config)# snmp-server contact personname@companyname.com
switch(config)# callhome
switch(config-callhome)# email-contact admin@Mycompany.com
switch(config-callhome)# phone-contact +1-800-123-4567
switch(config-callhome)# street-address 123 Anystreet st. Anytown,AnyWhere
switch(config-callhome)# show callhome status
Distribution : Enabled
switch(config-callhome)# commit
switch(config-callhome)# copy running-config startup-config
```

## Clearing a Locked Session

You can clear a lock held by an application from any device in the fabric.



### Caution

When you clear a lock in the fabric, any pending configurations in any device in the fabric are discarded.

### Before you begin

You must have administrator permissions to release a lock.

### Procedure

	Command or Action	Purpose
<b>Step 1</b>	(Optional) switch# <b>show application-name status</b>	Shows the current application state.
<b>Step 2</b>	Required: switch# <b>clear application-name session</b>	Clears the application configuration session and releases the lock on the fabric. All pending changes are discarded.
<b>Step 3</b>	(Optional) switch# <b>show application-name status</b>	Shows the current application state.

**Example**

```
switch# show ntp status
Distribution : Enabled
Last operational state: Fabric Locked
switch# clear ntp session
switch# show ntp status
Distribution : Enabled
Last operational state: No session
```

## Discarding a CFS Configuration

You can discard configuration changes and release the lock.

**Caution**

If you discard configuration changes, the application flushes the pending database and releases locks in the fabric.

**Procedure**

	Command or Action	Purpose
<b>Step 1</b>	switch# <b>configure terminal</b>	Enters global configuration mode.
<b>Step 2</b>	Required: switch(config)# <i>application-name</i> <b>abort</b>	Aborts the application configuration, discards the configuration changes, closes the CFS session, and releases the fabric lock.  <b>Note</b> The <b>abort</b> command is supported only on the device where the fabric lock is acquired.
<b>Step 3</b>	(Optional) switch(config)# <b>show</b> <i>application-name</i> <b>session status</b>	For the specified application, displays the CFS session status.

**Example**

```
switch# configure terminal
switch(config)# ntp abort
This will prevent CFS from distributing the configuration to other switches.
Are you sure? (y/n) [n] y
switch(config)# show ntp session status
Last Action Time Stamp : Wed Aug 14 16:07:25 2013
Last Action : Abort
Last Action Result : Success
Last Action Failure Reason : none
```

## Disabling CFS Distribution Globally

You can disable CFS distribution for a device, isolating the applications using CFS from fabric-wide distributions while maintaining physical connectivity. When CFS is globally disabled on a device, CFS operations are restricted to the device, and all CFS commands continue to function as if the device was physically isolated.

### Before you begin

If the virtual port channel (vPC) feature is enabled, only IP distribution is disabled. You must first disable vPC before you can disable CFS distribution.

### Procedure

	Command or Action	Purpose
<b>Step 1</b>	switch# <b>configure terminal</b>	Enters global configuration mode.
<b>Step 2</b>	switch(config)# <b>no cfs distribute</b>	Globally disables CFS distribution for all applications on the device.
<b>Step 3</b>	(Optional) switch(config)# <b>show cfs status</b>	Displays the global CFS distribution status for the device.
<b>Step 4</b>	(Optional) switch(config)# <b>copy running-config startup-config</b>	Saves the change persistently through reboots and restarts by copying the running configuration to the startup configuration.

### Example

```
switch# configure terminal
switch(config)# no cfs distribute
This will prevent CFS from distributing the configuration to other switches.
Are you sure? (y/n) [n] y
switch(config)# show cfs status
Distribution : Disabled
Distribution over IP : Disabled
IPv4 multicast address : 239.255.70.83
Distribution over Ethernet : Disabled
switch(config)# copy running-config startup-config
```

## Verifying the CFS Configuration

Command	Purpose
<b>show application-name session status</b>	Displays the configuration session status, including the last action, the result, and the reason if there was a failure.
<b>show application-name status</b>	For the specified application, displays the CFS distribution status.
<b>show cfs application</b>	Displays the applications that are currently CFS enabled.

Command	Purpose
<b>show cfs application name</b> <i>application-name</i>	Displays the details for a particular application, including the enabled or disabled state, timeout as registered with CFS, merge capability if registered with CFS for merge support, distribution scope, and distribution region.
<b>show cfs internal</b>	Displays information internal to CFS including memory statistics, event history, and so on.
<b>show cfs lock</b>	Displays all active locks.
<b>show cfs merge status name</b> <i>name</i> [ <b>detail</b> ]	Displays the merge status for a given application.
<b>show cfs peers</b>	Displays all the peers in the physical fabric.
<b>show cfs regions</b>	Displays all the applications with peers and region information.
<b>show cfs status</b>	Displays the status of CFS distribution on the device as well as IP distribution information.
<b>show logging level cfs</b>	Displays the CFS logging configuration.
<b>show tech-support cfs</b>	Displays information about the CFS configuration required by technical support when resolving a CFS issue.

## Additional References for CFS

### Related Documents

Related Topic	Document Title
CFS CLI commands	<i>Cisco Nexus 7000 Series NX-OS System Management Command Reference</i>  <i>Cisco Nexus 7000 Series NX-OS SAN Switching Command Reference</i>
CFS configuration for device alias CFS configuration for DPVM CFS configuration for FC domain CFS configuration for FC port security CFS configuration for FC timer CFS configuration for IVR CFS configuration for RSCN	<i>Cisco Nexus 7000 Series NX-OS SAN Switching Configuration Guide</i>



Related Topic	Document Title
FCoE	<i>Cisco NX-OS FCoE Configuration Guide for Cisco Nexus 7000 and Cisco MDS 9500</i>
RADIUS	<i>Cisco Nexus 7000 Series NX-OS Security Configuration Guide</i>
TACACS+	<i>Cisco Nexus 7000 Series NX-OS Security Configuration Guide</i>
User roles	<i>Cisco Nexus 7000 Series NX-OS Security Configuration Guide</i>

### MIBs

MIBs	MIBs Link
CISCO-CFS-MIB	To locate and download MIBs, go to the following URL: <a href="http://www.cisco.com/public/sw-center/netmgmt/cmtk/mibs.shtml">http://www.cisco.com/public/sw-center/netmgmt/cmtk/mibs.shtml</a>

## Feature History for CFS

The table below summarizes the new and changed features for this document and shows the releases in which each feature is supported. Your software release might not support all the features in this document. For the latest caveats and feature information, see the Bug Search Tool at <https://tools.cisco.com/bugsearch/> and the release notes for your software release.

**Table 4: Feature History for CFS**

Feature Name	Release	Feature Information
CFS protocol	5.2(1)	Added CFS over Fibre Channel (CFS over FC) distribution support for device alias, DPVM, FC domain, FC port security, FC timer, IVR, and RSCN.
CFS protocol	4.1(2)	This feature was introduced.





## CHAPTER 4

# Configuring NTP

This chapter describes how to configure the Network Time Protocol (NTP) on Cisco NX-OS devices.

This chapter includes the following sections:

- [Finding Feature Information, on page 45](#)
- [About NTP, on page 45](#)
- [Licensing Requirements for NTP, on page 48](#)
- [Prerequisites for NTP, on page 48](#)
- [Guidelines and Limitations for NTP, on page 48](#)
- [Default Settings for NTP, on page 49](#)
- [Configuring NTP, on page 50](#)
- [Verifying the NTP Configuration, on page 63](#)
- [Configuration Examples for NTP, on page 64](#)
- [Additional References, on page 65](#)
- [Feature History for NTP, on page 66](#)

## Finding Feature Information

Your software release might not support all the features documented in this module. For the latest caveats and feature information, see the Bug Search Tool at <https://tools.cisco.com/bugsearch/> and the release notes for your software release. To find information about the features documented in this module, and to see a list of the releases in which each feature is supported, see the "New and Changed Information" chapter or the Feature History table in this chapter.

## About NTP

The Network Time Protocol (NTP) synchronizes the time of day among a set of distributed time servers and clients so that you can correlate events when you receive system logs and other time-specific events from multiple network devices. NTP uses the User Datagram Protocol (UDP) as its transport protocol. All NTP communications use Coordinated Universal Time (UTC).

An NTP server usually receives its time from an authoritative time source, such as a radio clock or an atomic clock attached to a time server, and then distributes this time across the network. NTP is extremely efficient; no more than one packet per minute is necessary to synchronize two machines to within a millisecond of each other.

NTP uses a stratum to describe the distance between a network device and an authoritative time source:

- A stratum 1 time server is directly attached to an authoritative time source (such as a radio or atomic clock or a GPS time source).
- A stratum 2 NTP server receives its time through NTP from a stratum 1 time server.

Before synchronizing, NTP compares the time reported by several network devices and does not synchronize with one that is significantly different, even if it is a stratum 1. Because Cisco NX-OS cannot connect to a radio or atomic clock and act as a stratum 1 server, we recommend that you use the public NTP servers available on the Internet. If the network is isolated from the Internet, Cisco NX-OS allows you to configure the time as though it were synchronized through NTP, even though it was not.



---

**Note** You can create NTP peer relationships to designate the time-serving hosts that you want your network device to consider synchronizing with and to keep accurate time if a server failure occurs.

---

The time kept on a device is a critical resource, so we strongly recommend that you use the security features of NTP to avoid the accidental or malicious setting of incorrect time. Two mechanisms are available: an access list-based restriction scheme and an encrypted authentication mechanism.

## NTP Associations

An NTP association can be one of the following:

- A peer association—The device can either synchronize to another device or allow another device to synchronize to it.
- A server association—The device synchronizes to a server.

You need to configure only one end of an association. The other device can automatically establish the association.

## NTP Broadcast Associations

In a broadcast-based NTP association, an NTP server sends NTP broadcast packets throughout a network. Broadcast clients listen for the NTP broadcast packets sent by the server and do not engage in any polling.

NTP broadcast servers allow you to synchronize a large number of clients without creating a lot of NTP traffic because unsolicited messages are sent to a designated IPv4 local broadcast address, and ordinarily no request is expected from the clients.

## NTP Multicast Associations

When the device operates as an NTP multicast server, it sends NTP multicast messages to a designated IPv4 or IPv6 multicast group IP address.

When the device operates as an NTP multicast client, it listens for NTP multicast packets that are sent by an NTP multicast server to a designated IPv4 or IPv6 multicast group IP address.

NTP multicast servers allow you to synchronize a large number of clients without creating a lot of NTP traffic because unsolicited messages are sent to a designated multicast group address, and ordinarily no request is expected from the clients.

## NTP as a Time Server

The Cisco NX-OS device can use NTP to distribute time. Other devices can configure it as a time server. You can also configure the device to act as an authoritative NTP server, enabling it to distribute time even when it is not synchronized to an outside time source.

## Distributing NTP Using CFS

Cisco Fabric Services (CFS) distributes the local NTP configuration to all Cisco devices in the network.

After enabling CFS on your device, a network-wide lock is applied to NTP whenever an NTP configuration is started. After making the NTP configuration changes, you can discard or commit them.

In either case, the CFS lock is then released from the NTP application.

## Clock Manager

Clocks are resources that need to be shared across different processes. Multiple time synchronization protocols, such as NTP, might be running in the system.

The clock manager allows you to specify the protocol to control the various clocks in the system. Once you specify the protocol, the system clock starts updating. For information on configuring the clock manager, see the *Cisco Nexus 7000 Series NX-OS Fundamentals Configuration Guide*.

## High Availability

Stateless restarts are supported for NTP. After a reboot or a supervisor switchover, the running configuration is applied. For more information on high availability, see the *Cisco Nexus 7000 Series NX-OS High Availability and Redundancy Guide*.

You can configure NTP peers to provide redundancy in case an NTP server fails.

## Virtualization Support

If you are running a Cisco NX-OS Release prior to 5.2, up to one instance of NTP is supported on the entire platform. You must configure NTP in the default virtual device context (VDC), and you are automatically placed in the default VDC unless you specify otherwise.

If you are running Cisco NX-OS Release 5.2 or later, multiple instances of NTP are supported, one instance per VDC. By default, Cisco NX-OS places you in the default VDC unless you specifically configure another VDC. Only one VDC (the default VDC by default) synchronizes the system clock at any given time. The NTP daemon in all other VDCs acts only as an NTP server for the other devices. To change which VDC synchronizes the system clock, use the clock protocol `ntp vdc vdc-id` command.

NTP recognizes virtual routing and forwarding (VRF) instances. NTP uses the default VRF if you do not configure a specific VRF for the NTP server and NTP peer. See the *Cisco Nexus 7000 Series NX-OS Unicast Routing Configuration Guide* for more information about VRFs.

For more information about VDCs, see the *Cisco Nexus 7000 Series NX-OS Virtual Device Context Configuration Guide*.

## Licensing Requirements for NTP

Product	License Requirement
Cisco NX-OS	NTP requires no license. Any feature not included in a license package is bundled with the nx-os image and is provided at no extra charge to you. For a complete explanation of the Cisco NX-OS licensing scheme, see the <i>Cisco NX-OS Licensing Guide</i> .

## Prerequisites for NTP

NTP has the following prerequisites:

- To configure NTP, you must have connectivity to at least one server that is running NTP.
- To configure VDCs, you must install the appropriate license. See the *Cisco Nexus 7000 Series NX-OS Virtual Device Context Configuration Guide* for configuration information and the *Cisco NX-OS Licensing Guide* for licensing information.

## Guidelines and Limitations for NTP

NTP has the following configuration guidelines and limitations:

- The Cisco NX-OS software supports NTP version 4 (NTPv4).
- NTP server functionality is supported.
- You should have a peer association with another device only when you are sure that your clock is reliable (which means that you are a client of a reliable NTP server).
- A peer configured alone takes on the role of a server and should be used as a backup. If you have two servers, you can configure several devices to point to one server and the remaining devices to point to the other server. You can then configure a peer association between these two servers to create a more reliable NTP configuration.
- If you have only one server, you should configure all the devices as clients to that server.
- We recommend that you do not configure (just) two NTP servers. Instead, you should configure one, three, or four or more NTP servers.

All NTP servers return the time together with an estimate of the current error. When using multiple time servers, NTP also wants these servers to agree on some time, meaning there must be one error interval where the correct time must be. When there are just two NTP servers, there might be an issue if both sources do not fall into the small common range because the NTP client will be unable to determine which source is more correct.

- You can configure up to 64 NTP entities (servers and peers).

- If you configure NTP in a VRF, ensure that the NTP server and peers can reach each other through the configured VRFs.
- You must manually distribute NTP authentication keys on the NTP server and Cisco NX-OS devices across the network.
- If CFS is disabled for NTP, then NTP does not distribute any configuration and does not accept a distribution from other devices in the network.
- After CFS distribution is enabled for NTP, the entry of an NTP configuration command locks the network for NTP configuration until a **commit** command is entered. During the lock, no changes can be made to the NTP configuration by any other device in the network except the device that initiated the lock.
- If you use CFS to distribute NTP, all devices in the network should have the same VRFs configured as you use for NTP.
- If you configure NTP in a VRF, ensure that the NTP server and peers can reach each other through the configured VRFs
- You must manually distribute NTP authentication keys on the NTP server and Cisco NX-OS devices across the network.
- Use NTP broadcast or multicast associations when time accuracy and reliability requirements are modest, your network is localized, and the network has more than 20 clients. We recommend that you use NTP broadcast or multicast associations in networks that have limited bandwidth, system memory, or CPU resources.




---

**Note** Time accuracy is marginally reduced in NTP broadcast associations because information flows only one way.

---

- The NTP source-interface and source configuration has a limitation of getting applied only when configured on the client. If the configuration is done on the server (the switch with the NTP master), source address of the outgoing packet will still be that of the received destination address.

## Default Settings for NTP

The following table lists the default settings for NTP parameters.

Parameters	Default
NTP	Enabled in all VDCs and for all interfaces. By default, NTP is enabled as server and client.
NTP passive (enabling NTP to form associations)	Enabled
NTP authentication	Disabled
NTP access	Enabled
NTP access group match all	Disabled
NTP broadcast server	Disabled

Parameters	Default
NTP multicast server	Disabled
NTP multicast client	Disabled
NTP logging	Disabled

## Configuring NTP



**Note** Be aware that the Cisco NX-OS commands for this feature may differ from those commands used in Cisco IOS.

## Enabling or Disabling NTP in a VDC

You can enable or disable NTP in a particular VDC. NTP is enabled in all VDCs by default.

### Procedure

	Command or Action	Purpose
<b>Step 1</b>	<b>configure terminal</b>  <b>Example:</b> switch# configure terminal switch(config)#	Enters global configuration mode.
<b>Step 2</b>	<b>[no] feature ntp</b>  <b>Example:</b> switch(config)# feature ntp	Enables or disables NTP.
<b>Step 3</b>	(Optional) <b>show ntp status</b>  <b>Example:</b> switch(config)# show ntp status Distribution: Enabled Last operational state: Fabric Locked	Displays the status of the NTP application.
<b>Step 4</b>	(Optional) <b>copy running-config startup-config</b>  <b>Example:</b> switch(config)# copy running-config startup-config	Copies the running configuration to the startup configuration.

## Enabling or Disabling NTP on an Interface

You can enable or disable NTP in a particular interface. NTP is enabled in all VDCs by default.



**Procedure**

	<b>Command or Action</b>	<b>Purpose</b>
<b>Step 1</b>	<b>configure terminal</b> <b>Example:</b> switch# config t Enter configuration commands, one per line. End with CNTL/Z. switch(config)#	Enters global configuration mode.
<b>Step 2</b>	<b>interface type slot/port</b> <b>Example:</b> switch(config)# interface ethernet 6/1 switch(config-if)#	Enters interface configuration mode.
<b>Step 3</b>	(Optional) <b>[no]ntp disable {ip   ipv6}</b> <b>Example:</b> switch(config-if)# ntp disable ip	Disables NTP IPv4 or IPv6 on the specified interface. Use the no form of this command to reenble NTP on the interface.
<b>Step 4</b>	(Optional) <b>copy running-config startup-config</b> <b>Example:</b> switch(config)# copy running-config startup-config	Saves the change persistently through reboots and restarts by copying the running configuration to the startup configuration

## Configuring the Device as an Authoritative NTP Server

You can configure the device to act as an authoritative NTP server, enabling it to distribute time even when it is not synchronized to an existing time server.

**Procedure**

	<b>Command or Action</b>	<b>Purpose</b>
<b>Step 1</b>	<b>configure terminal</b> <b>Example:</b> switch# configure terminal switch(config)#	Enters global configuration mode.
<b>Step 2</b>	<b>[no] ntp master [stratum]</b> <b>Example:</b> switch(config)# ntp master	Configures the device as an authoritative NTP server.  You can specify a different stratum level from which NTP clients get their time synchronized. The range is from 1 to 15.
<b>Step 3</b>	(Optional) <b>show running-config ntp</b> <b>Example:</b> switch(config)# show running-config ntp	Displays the NTP configuration.

	Command or Action	Purpose
<b>Step 4</b>	(Optional) <b>copy running-config startup-config</b>  <b>Example:</b> <pre>switch(config)# copy running-config startup-config</pre>	Copies the running configuration to the startup configuration.

## Configuring an NTP Server and Peer

You can configure an NTP server and peer.

### Before you begin

Make sure you know the IP address or Domain Name System (DNS) names of your NTP server and its peers.

### Procedure

	Command or Action	Purpose
<b>Step 1</b>	<b>configure terminal</b>  <b>Example:</b> <pre>switch# configure terminal switch(config)#</pre>	Enters global configuration mode.
<b>Step 2</b>	<b>[no] ntp server</b> { <i>ip-address</i>   <i>ipv6-address</i>   <i>dns-name</i> } [ <b>key</b> <i>key-id</i> ] [ <b>maxpoll</b> <i>max-poll</i> ] [ <b>minpoll</b> <i>min-poll</i> ] [ <b>prefer</b> ] [ <b>use-vrf</b> <i>vrf-name</i> ]  <b>Example:</b> <pre>switch(config)# ntp server 192.0.2.10</pre>	<p>Forms an association with a server.</p> <p>Use the <b>key</b> keyword to configure a key to be used while communicating with the NTP server. The range for the <i>key-id</i> argument is from 1 to 65535.</p> <p>Use the <b>maxpoll</b> and <b>minpoll</b> keywords to configure the maximum and minimum intervals in which to poll a server. The range for the <i>max-poll</i> and <i>min-poll</i> arguments is from 4 to 16 seconds, and the default values are 6 and 4, respectively.</p> <p>Use the <b>prefer</b> keyword to make this server the preferred NTP server for the device.</p> <p>Use the <b>use-vrf</b> keyword to configure the NTP server to communicate over the specified VRF. The <i>vrf-name</i> argument can be <b>default</b>, <b>management</b>, or any case-sensitive, alphanumeric string up to 32 characters.</p> <p><b>Note</b> If you configure a key to be used while communicating with the NTP server, make sure that the key exists as a trusted key on the device.</p>

	Command or Action	Purpose
<b>Step 3</b>	<p>[no] ntp peer {ip-address   ipv6-address   dns-name} [key key-id] [maxpoll max-poll] [minpoll min-poll] [prefer] [use-vrf vrf-name]</p> <p><b>Example:</b></p> <pre>switch(config)# ntp peer 2001:0db8::4101</pre>	<p>Forms an association with a peer. You can specify multiple peer associations.</p> <p>Use the <b>key</b> keyword to configure a key to be used while communicating with the NTP peer. The range for the <i>key-id</i> argument is from 1 to 65535.</p> <p>Use the <b>maxpoll</b> and <b>minpoll</b> keywords to configure the maximum and minimum intervals in which to poll a peer. The range for the <i>max-poll</i> and <i>min-poll</i> arguments is from 4 to 17 seconds, and the default values are 6 and 4, respectively.</p> <p>Use the <b>prefer</b> keyword to make this peer the preferred NTP peer for the device.</p> <p>Use the <b>use-vrf</b> keyword to configure the NTP peer to communicate over the specified VRF. The <i>vrf-name</i> argument can be <b>default</b>, <b>management</b>, or any case-sensitive, alphanumeric string up to 32 characters.</p>
<b>Step 4</b>	<p>(Optional) <b>show ntp peers</b></p> <p><b>Example:</b></p> <pre>switch(config)# show ntp peers</pre>	<p>Displays the configured server and peers.</p> <p><b>Note</b> A domain name is resolved only when you have a DNS server configured.</p>
<b>Step 5</b>	<p>(Optional) <b>copy running-config startup-config</b></p> <p><b>Example:</b></p> <pre>switch(config)# copy running-config startup-config</pre>	<p>Copies the running configuration to the startup configuration.</p>

## Configuring NTP Authentication

You can configure the device to authenticate the time sources to which the local clock is synchronized. When you enable NTP authentication, the device synchronizes to a time source only if the source carries one of the authentication keys specified by the **ntp trusted-key** command. The device drops any packets that fail the authentication check and prevents them from updating the local clock. NTP authentication is disabled by default.

### Before you begin

Authentication for NTP servers and NTP peers is configured on a per-association basis using the **key** keyword on each **ntp server** and **ntp peer** command. Make sure that you configured all NTP server and peer associations with the authentication keys that you plan to specify. Any **ntp server** or **ntp peer** commands that do not specify the **key** keyword will continue to operate without authentication.

## Procedure

	Command or Action	Purpose
<b>Step 1</b>	<b>configure terminal</b> <b>Example:</b> <pre>switch# configure terminal switch(config)#</pre>	Enters global configuration mode.
<b>Step 2</b>	<b>[no] ntp authentication-key <i>number</i> md5 <i>md5-string</i></b> <b>Example:</b> <pre>switch(config)# ntp authentication-key 42 md5 aNiceKey</pre>	<p>Defines the authentication keys. The device does not synchronize to a time source unless the source has one of these authentication keys and the key number is specified by the <b>ntp trusted-key <i>number</i></b> command.</p> <p>The range for authentication keys is from 1 to 65535. For the MD5 string, you can enter up to eight alphanumeric characters.</p> <p>Beginning with Cisco NX-OS Release 7.3(0)D1(1), you can enter up to 32 alphanumeric characters for the MD5 string.</p>
<b>Step 3</b>	(Optional) <b>show ntp authentication-keys</b> <b>Example:</b> <pre>switch(config)# show ntp authentication-keys</pre>	Displays the configured NTP authentication keys.
<b>Step 4</b>	<b>[no] ntp trusted-key <i>number</i></b> <b>Example:</b> <pre>switch# config t Enter configuration commands, one per line. End with CNTL/Z. switch(config)# ntp authentication-key 42 md5 aNiceKey switch(config)# ntp server 10.1.1.1 key 42 switch(config)# ntp trusted-key 42 switch(config)# ntp authenticate switch(config)# copy running-config startup-config [#####] 100% switch(config)#</pre>	<p>Specifies one or more keys (defined in Step 2) that a time source must provide in its NTP packets in order for the device to synchronize to it. The range for trusted keys is from 1 to 65535.</p> <p>This command provides protection against accidentally synchronizing the device to a time source that is not trusted.</p>
<b>Step 5</b>	(Optional) <b>show ntp trusted-keys</b> <b>Example:</b> <pre>switch(config)# show ntp trusted-keys</pre>	Displays the configured NTP trusted keys.
<b>Step 6</b>	<b>[no] ntp authenticate</b> <b>Example:</b> <pre>switch(config)# ntp authenticate</pre>	Enables or disables the NTP authentication feature. NTP authentication is disabled by default.

	Command or Action	Purpose
<b>Step 7</b>	(Optional) <b>show ntp authentication-status</b>  <b>Example:</b> <pre>switch(config)# show ntp authentication-status</pre>	Displays the status of NTP authentication.
<b>Step 8</b>	(Optional) <b>copy running-config startup-config</b>  <b>Example:</b> <pre>switch(config)# copy running-config startup-config</pre>	Copies the running configuration to the startup configuration.

## Configuring NTP Access Restrictions

You can control access to NTP services by using access groups. Specifically, you can specify the types of requests that the device allows and the servers from which it accepts responses.

If you do not configure any access groups, NTP access is granted to all devices. If you configure any access groups, NTP access is granted only to the remote device whose source IP address passes the access list criteria.

### Procedure

	Command or Action	Purpose
<b>Step 1</b>	<b>configure terminal</b>  <b>Example:</b> <pre>switch# configure terminal switch(config)#</pre>	Enters global configuration mode.
<b>Step 2</b>	<b>[no] ntp access-group {peer   serve   serve-only   query-only} access-list-name</b>  <b>Example:</b> <pre>switch(config)# ntp access-group peer accesslist1</pre>	Creates or removes an access group to control NTP access and applies a basic IP access list.  ACL processing stops and does not continue to the next access group option if NTP matches a deny ACL rule in a configured peer. <ul style="list-style-type: none"> <li>• The <b>peer</b> keyword enables the device to receive time requests and NTP control queries and to synchronize itself to the servers specified in the access list.</li> <li>• The <b>serve</b> keyword enables the device to receive time requests and NTP control queries from the servers specified in the access list but not to synchronize itself to the specified servers.</li> <li>• The <b>serve-only</b> keyword enables the device to receive only time requests from servers specified in the access list.</li> </ul>

	Command or Action	Purpose
		<ul style="list-style-type: none"> <li>The <b>query-only</b> keyword enables the device to receive only NTP control queries from the servers specified in the access list.</li> </ul>
<b>Step 3</b>	(Optional) <b>show ntp access-groups</b> <b>Example:</b> <pre>switch(config)# show ntp access-groups</pre>	Displays the NTP access group configuration.
<b>Step 4</b>	(Optional) <b>copy running-config startup-config</b> <b>Example:</b> <pre>switch(config)# copy running-config startup-config</pre>	Copies the running configuration to the startup configuration.

## Configuring the NTP Source IP Address

NTP sets the source IP address for all NTP packets based on the address of the interface through which the NTP packets are sent. You can configure NTP to use a specific source IP address.

### Procedure

	Command or Action	Purpose
<b>Step 1</b>	<b>configure terminal</b> <b>Example:</b> <pre>switch# configure terminal switch(config)#</pre>	Enters global configuration mode.
<b>Step 2</b>	<b>[no] ntp source ip-address</b> <b>Example:</b> <pre>switch(config)# ntp source 192.0.2.1</pre>	Configures the source IP address for all NTP packets. The <i>ip-address</i> can be in IPv4 or IPv6 format.
<b>Step 3</b>	(Optional) <b>copy running-config startup-config</b> <b>Example:</b> <pre>switch(config)# copy running-config startup-config</pre>	Copies the running configuration to the startup configuration.

## Configuring the NTP Source Interface

You can configure NTP to use a specific interface.

**Procedure**

	Command or Action	Purpose
<b>Step 1</b>	<b>configure terminal</b> <b>Example:</b> switch# configure terminal switch(config)#	Enters global configuration mode.
<b>Step 2</b>	<b>[no] ntp source-interface interface</b> <b>Example:</b> switch(config)# ntp source-interface ethernet 2/1	Configures the source interface for all NTP packets. Use the ? keyword to display a list of supported interfaces.
<b>Step 3</b>	(Optional) <b>copy running-config startup-config</b> <b>Example:</b> switch(config)# copy running-config startup-config	Copies the running configuration to the startup configuration.

## Configuring an NTP Broadcast Server

You can configure an NTP IPv4 broadcast server on an interface. The device then sends broadcast packets through that interface periodically. The client is not required to send a response.

**Before you begin**

Use the **switchto vdc** command to switch to the desired nondefault VDC.

**Procedure**

	Command or Action	Purpose
<b>Step 1</b>	<b>configure t</b> <b>Example:</b> switch# config t Enter configuration commands, one per line. End with CNTL/Z. switch(config)#	Enters global configuration mode.
<b>Step 2</b>	<b>interface type slot/port</b> <b>Example:</b> switch(config)# interface ethernet 6/1 switch(config-if)#	Enters interface configuration mode.
<b>Step 3</b>	Required: <b>[no] ntp broadcast [destination ip-address] [key key-id] [version number]</b> <b>Example:</b> switch(config-if)# ntp broadcast destination 192.0.2.10	Enables an NTP IPv4 broadcast server on the specified interface. <ul style="list-style-type: none"> <li>• destination <i>ip-address</i>—Configures the broadcast destination IP address.</li> </ul>

	Command or Action	Purpose
		<ul style="list-style-type: none"> <li>• <i>key key-id</i>—Configures the broadcast authentication key number. The range is from 1 to 65535.</li> <li>• <i>version number</i>—Configures the NTP version. The range is from 2 to 4.</li> </ul>
<b>Step 4</b>	Required: <b>exit</b>  <b>Example:</b> <pre>switch(config-if)# exit switch(config)#</pre>	Exits interface configuration mode.
<b>Step 5</b>	(Optional) <b>[no] ntp broadcastdelay delay</b>  <b>Example:</b> <pre>switch(config)# ntp broadcastdelay 100</pre>	(Optional) Configures the estimated broadcast round-trip delay in microseconds. The range is from 1 to 999999.
<b>Step 6</b>	(Optional) <b>copy running-config startup-config</b>  <b>Example:</b> <pre>switch(config)# copy running-config startup-config</pre>	(Optional) Saves the change persistently through reboots and restarts by copying the running configuration to the startup configuration.

### Example

This example shows how to configure an Ethernet interface to send NTP broadcast packets:

```
switch# configure terminal
switch(config)# interface ethernet6/1
switch(config-if)# ntp broadcast 192.0.2.10
```

## Configuring an NTP Multicast Server

You can configure an NTP IPv4 or IPv6 multicast server on an interface. The device then sends multicast packets through that interface periodically.

### Before you begin

Use the **switchto vdc** command to switch to the desired nondefault VDC.

### Procedure

	Command or Action	Purpose
<b>Step 1</b>	<b>configure t</b>  <b>Example:</b> <pre>switch# config t Enter configuration commands, one per line. End with CNTL/Z. switch(config)#</pre>	Enters global configuration mode.



	Command or Action	Purpose
<b>Step 2</b>	<b>interface</b> <i>type slot/port</i> <b>Example:</b> <pre>switch(config)# interface ethernet 6/1 switch(config-if)#</pre>	Enters interface configuration mode.
<b>Step 3</b>	Required: <b>[no] ntp multicast</b> [ <i>ipv4-address</i>   <i>ipv6-address</i> ] [ <b>key</b> <i>key-id</i> ] [ <b>ttl</b> <i>value</i> ] [ <b>version</b> <i>number</i> ] <b>Example:</b> <pre>switch(config-if)# ntp multicast FF02:1::FF0E:8C6C</pre>	Enables an NTP IPv6 broadcast server on the specified interface. <ul style="list-style-type: none"> <li>• destination <i>ip-address</i>—Configures the broadcast destination IP address.</li> <li>• key <i>key-id</i>—Configures the broadcast authentication key number. The range is from 1 to 65535.</li> <li>• ttl <i>value</i>—The time-to-live value of the multicast packets. The range is from 1 to 255.</li> <li>• version <i>number</i>—Configures the NTP version.</li> </ul> <p><b>Note</b> For an IPv4 multicast server, the range is from 2 to 4.</p>
<b>Step 4</b>	(Optional) <b>copy running-config startup-config</b> <b>Example:</b> <pre>switch(config)# copy running-config startup-config</pre>	(Optional) Saves the change persistently through reboots and restarts by copying the running configuration to the startup configuration.

### Example

This example shows how to configure an Ethernet interface to send NTP multicast packets:

```
switch# configure terminal
switch(config)# interface ethernet2/2
switch(config-if)# ntp multicast FF02:1::FF0E:8C6C
```

## Configuring an NTP Multicast Client

You can configure an NTP multicast client on an interface. The device then listens to NTP multicast messages and discards any messages that come from an interface for which multicast is not configured.

### Before you begin

Use the **switchto vdc** command to switch to the desired nondefault VDC

## Procedure

	Command or Action	Purpose
<b>Step 1</b>	<b>configure t</b> <b>Example:</b> <pre>switch# config t Enter configuration commands, one per line. End with CNTL/Z. switch(config)#</pre>	Enters global configuration mode.
<b>Step 2</b>	<b>interface type slot/port</b> <b>Example:</b> <pre>switch(config)# interface ethernet 6/1 switch(config-if)#</pre>	Enters interface configuration mode.
<b>Step 3</b>	Required: <b>[no] ntp multicast client</b> [ <i>ipv4-address</i>   <i>ipv6-address</i> ] <b>Example:</b> <pre>switch(config-if)# ntp multicast FF02:1::FF0E:8C6C</pre>	Enables an NTP IPv6 broadcast server on the specified interface.
<b>Step 4</b>	(Optional) <b>copy running-config startup-config</b> <b>Example:</b> <pre>switch(config)# copy running-config startup-config</pre>	(Optional) Saves the change persistently through reboots and restarts by copying the running configuration to the startup configuration.

## Configuring NTP on a Secondary (Non-Default) VDC

You can configure a non-default VDC to get a timing update from the default VDC and its clients in order to synchronize with it.

## Procedure

	Command or Action	Purpose
<b>Step 1</b>	switch# <b>configure terminal</b>	Enters global configuration mode.
<b>Step 2</b>	switch(config)# <b>feature ntp</b>	Enables NTP in the non-default VDC.
<b>Step 3</b>	switch(config)# <b>ntp master</b>	Configures the device as an authoritative NTP server.
<b>Step 4</b>	(Optional) switch(config)# <b>ntp source-interface interface</b>	Configures the source interface for all NTP packets. The following list contains the valid values for <i>interface</i> . <ul style="list-style-type: none"> <li>• ethernet</li> <li>• loopback</li> <li>• mgmt</li> </ul>

	Command or Action	Purpose
		<ul style="list-style-type: none"> <li>• port-channel</li> <li>• vlan</li> </ul>
<b>Step 5</b>	(Optional) <code>[no] ntp source ip-address</code>	Configures the source IP address for all NTP packets. The <i>ip-address</i> can be in IPv4 or IPv6 format.
<b>Step 6</b>	(Optional) <code>switch(config)# copy running-config startup-config</code>	Saves the change persistently through reboots and restarts by copying the running configuration to the startup configuration.

### Example

This examples show how to configure NTP on a secondary (non-default) VDC.

```
switch# configure terminal
switch(config)# feature ntp
switch(config)# ntp master
switch(config)# ntp source-interface ethernet
switch(config)# ntp source 192.0.2.2
switch(config)# copy running-config startup-config
```

## Configuring NTP Logging

You can configure NTP logging in order to generate system logs with significant NTP events. NTP logging is disabled by default.

### Procedure

	Command or Action	Purpose
<b>Step 1</b>	<b>configure terminal</b> <b>Example:</b> <pre>switch# configure terminal switch(config)#</pre>	Enters global configuration mode.
<b>Step 2</b>	<b>[no] ntp logging</b> <b>Example:</b> <pre>switch(config)# ntp logging</pre>	Enables or disables system logs to be generated with significant NTP events. NTP logging is disabled by default.
<b>Step 3</b>	(Optional) <b>show ntp logging-status</b> <b>Example:</b> <pre>switch(config)# show ntp logging-status</pre>	Displays the NTP logging configuration status.
<b>Step 4</b>	(Optional) <b>copy running-config startup-config</b> <b>Example:</b>	Copies the running configuration to the startup configuration.

	Command or Action	Purpose
	<code>switch(config)# copy running-config startup-config</code>	

## Enabling CFS Distribution for NTP

You can enable CFS distribution for NTP in order to distribute the NTP configuration to other CFS-enabled devices.

### Before you begin

Make sure that you have enabled CFS distribution for the device.

### Procedure

	Command or Action	Purpose
<b>Step 1</b>	<code>switch# configure terminal</code>	Enters global configuration mode.
<b>Step 2</b>	<code>switch(config)# [no] ntp distribute</code>	Enables or disables the device to receive NTP configuration updates that are distributed through CFS.
<b>Step 3</b>	(Optional) <code>switch(config)# show ntp status</code>	Displays the NTP CFS distribution status.
<b>Step 4</b>	(Optional) <code>switch(config)# copy running-config startup-config</code>	Saves the change persistently through reboots and restarts by copying the running configuration to the startup configuration.

### Example

This example shows how to enable the device to receive NTP configuration updates through CFS:

```
switch# configure terminal
switch(config)# ntp distribute
switch(config)# copy running-config startup-config
```

## Committing NTP Configuration Changes

When you commit the NTP configuration changes, the effective database is overwritten by the configuration changes in the pending database and all the devices in the network receive the same configuration.

### Procedure

	Command or Action	Purpose
<b>Step 1</b>	<code>switch# configure terminal</code>	Enters global configuration mode.
<b>Step 2</b>	<code>switch(config)# ntp commit</code>	Distributes the NTP configuration changes to all Cisco NX-OS devices in the network and releases the CFS lock. This command

	Command or Action	Purpose
		overwrites the effective database with the changes made to the pending database.

## Discarding NTP Configuration Changes

After making the configuration changes, you can choose to discard the changes instead of committing them. If you discard the changes, Cisco NX-OS removes the pending database changes and releases the CFS lock.

### Procedure

	Command or Action	Purpose
<b>Step 1</b>	switch# <b>configure terminal</b>	Enters global configuration mode.
<b>Step 2</b>	switch(config)# <b>ntp abort</b>	Discards the NTP configuration changes in the pending database and releases the CFS lock. Use this command on the device where you started the NTP configuration.

## Releasing the CFS Session Lock

If you have performed an NTP configuration and have forgotten to release the lock by either committing or discarding the changes, you or another administrator can release the lock from any device in the network. This action also discards pending database changes.

### Procedure

	Command or Action	Purpose
<b>Step 1</b>	switch# <b>configure terminal</b>	Enters global configuration mode.
<b>Step 2</b>	switch(config)# <b>clear ntp session</b>	Discards the NTP configuration changes in the pending database and releases the CFS lock.

## Verifying the NTP Configuration

To display the NTP configuration, perform one of the following tasks:

Command	Purpose
<b>show ntp access-groups</b>	Displays the NTP access group configuration.
<b>show ntp authentication-keys</b>	Displays the configured NTP authentication keys.
<b>show ntp authentication-status</b>	Displays the status of NTP authentication.
<b>show ntp internal</b>	Displays internal NTP information.
<b>show ntp logging-status</b>	Displays the NTP logging status.

Command	Purpose
<b>show ntp peer-status</b>	Displays the status for all NTP servers and peers.
<b>show ntp peers</b>	Displays all the NTP peers.
<b>show ntp rts-update</b>	Displays the RTS update status.
<b>show ntp source</b>	Displays the configured NTP source IP address.
<b>show ntp source-interface</b>	Displays the configured NTP source interface.
<b>show ntp statistics {io   local   memory   peer {ipaddr {ipv4-addr   ipv6-addr}   name peer-name}}</b>	Displays the NTP statistics.
<b>show ntp trusted-keys</b>	Displays the configured NTP trusted keys.
<b>show running-config ntp</b>	Displays NTP information.

Use the **clear ntp session** command to clear the NTP sessions.

Use the **clear ntp statistics** command to clear the NTP statistics.

## Configuration Examples for NTP

This example shows how to configure an NTP server and peer, enable NTP authentication, enable NTP logging, and then save the configuration in startup so that it is saved across reboots and restarts:

```
switch# configure terminal
Enter configuration commands, one per line. End with CNTL/Z.
switch(config)# ntp server 192.0.2.105 key 42
switch(config)# ntp peer 2001:0db8::4101
switch(config)# show ntp peers
-----
Peer IP Address Serv/Peer
-----
2001:db8::4101 Peer (configured)
192.0.2.105 Server (configured)
switch(config)# ntp authentication-key 42 md5 aNiceKey
switch(config)# show ntp authentication-keys
-----
Auth key MD5 String
-----
42 aNicekey
switch(config)# ntp trusted-key 42
switch(config)# show ntp trusted-keys
Trusted Keys:
42
switch(config)# ntp authenticate
switch(config)# show ntp authentication-status
Authentication enabled.
switch(config)# ntp logging
switch(config)# show ntp logging
NTP logging enabled.
switch(config)# copy running-config startup-config
[#####] 100%
switch(config)#
```

This example shows an NTP access group configuration with the following restrictions:

- Peer restrictions are applied to IP addresses that pass the criteria of the access list named “peer-acl.”
- Serve restrictions are applied to IP addresses that pass the criteria of the access list named “serve-acl.”
- Serve-only restrictions are applied to IP addresses that pass the criteria of the access list named “serve-only-acl.”
- Query-only restrictions are applied to IP addresses that pass the criteria of the access list named “query-only-acl.”

```

switch# configure terminal
switch(config)# ntp peer 10.1.1.1
switch(config)# ntp peer 10.2.2.2
switch(config)# ntp peer 10.3.3.3
switch(config)# ntp peer 10.4.4.4
switch(config)# ntp peer 10.5.5.5
switch(config)# ntp peer 10.6.6.6
switch(config)# ntp peer 10.7.7.7
switch(config)# ntp peer 10.8.8.8
switch(config)# ntp access-group peer peer-acl
switch(config)# ntp access-group serve serve-acl
switch(config)# ntp access-group serve-only serve-only-acl
switch(config)# ntp access-group query-only query-only-acl
switch(config)# ip access-list peer-acl
switch(config-acl)# 10 permit ip host 10.1.1.1 any
switch(config-acl)# 20 permit ip host 10.8.8.8 any
switch(config)# ip access-list serve-acl
switch(config-acl)# 10 permit ip host 10.4.4.4 any
switch(config-acl)# 20 permit ip host 10.5.5.5 any
switch(config)# ip access-list serve-only-acl
switch(config-acl)# 10 permit ip host 10.6.6.6 any
switch(config-acl)# 20 permit ip host 10.7.7.7 any
switch(config)# ip access-list query-only-acl
switch(config-acl)# 10 permit ip host 10.2.2.2 any
switch(config-acl)# 20 permit ip host 10.3.3.3 any

```

## Additional References

### Related Documents

Related Topic	Document Title
Clock manager	<i>Cisco Nexus 7000 Series NX-OS Fundamentals Configuration Guide</i>
NTP CLI commands	<i>Cisco Nexus 7000 Series NX-OS System Management Command Reference</i>
VDCs and VRFs	<i>Cisco Nexus 7000 Series NX-OS Virtual Device Context Configuration Guide</i>

## MIBs

MIBs	MIBs Link
MIBs related to NTP	To locate and download supported MIBs, go to the following URL:  <a href="http://www.cisco.com/public/sw-center/netmgmt/cmtk/mibs.shtml">http://www.cisco.com/public/sw-center/netmgmt/cmtk/mibs.shtml</a>

## Feature History for NTP

The table below summarizes the new and changed features for this document and shows the releases in which each feature is supported. Your software release might not support all the features in this document. For the latest caveats and feature information, see the Bug Search Tool at <https://tools.cisco.com/bugsearch/> and the release notes for your software release.

**Table 5: Feature History for NTP**

Feature Name	Releases	Feature Information
NTP	7.3(0)D1(1)	Increased the length of NTP authentication keys from 15 to 32 alphanumeric characters.
NTP	6.2(2)	Introduced the <b>ntp access-group match-all</b> command to cause the access group options to be scanned in order, from least restrictive to most restrictive.
NTP	6.2(2)	Introduced the <b>no ntp passive</b> command to prevent NTP from forming associations.
NTP	6.2(2)	Added the ability to configure NTP broadcast and multicast servers and multicast clients on an interface.
NTP	6.2(2)	Added the ability to enable or disable NTP on an interface.
NTP	6.1(1)	NTP access group options are now scanned in order from least restrictive to most restrictive.
NTP	6.1(1)	Increased the length of NTP authentication keys from 8 to 15 alphanumeric characters.



NTP	5.2(3)	Increased the length of NTP authentication keys from 8 to 15 alphanumeric characters.
NTP	5.2(1)	Added NTP support for all VDCs, enabling them to act as time servers.
NTP	5.2(1)	Changed the command to enable or disable NTP from <b>[no] ntp enable</b> to <b>[no] feature ntp</b> .
NTP	5.2(1)	Added the ability to configure the device as an authoritative NTP server, enabling it to distribute time even when it is not synchronized to an existing time server.
NTP access groups	5.2(1)	Added the <b>serve</b> , <b>serve-only</b> , and <b>query-only</b> access group options to control access to additional NTP services.
NTP access groups	5.0(2)	Added the ability to control access to NTP services by using access groups.
NTP authentication	5.0(2)	Added the ability to enable or disable NTP authentication.
NTP logging	5.0(2)	Added the ability to enable or disable NTP logging.
NTP server configuration	5.0(2)	Added the optional <b>key</b> keyword to the <b>ntp server</b> command to configure a key to be used while communicating with the NTP server.
CFS support	4.2(1)	Added the ability to distribute NTP configuration using CFS.
NTP source IP address or interface	4.1(3)	Added the ability set the source IP address or source interface that NTP includes in all NTP packets sent to peers.
NTP	4.0(3)	Added the ability to disable NTP.





## CHAPTER 5

# Configuring PTP

This chapter describes how to configure the Precision Time Protocol (PTP) on Cisco NX-OS devices.

This chapter includes the following sections:

- [Finding Feature Information, on page 69](#)
- [About PTP, on page 69](#)
- [Virtualization Support, on page 72](#)
- [Licensing Requirements for PTP, on page 72](#)
- [Prerequisites for PTP, on page 72](#)
- [Guidelines and Limitations for PTP, on page 72](#)
- [Default Settings for PTP, on page 73](#)
- [Configuring PTP, on page 74](#)
- [Verifying the PTP Configuration, on page 77](#)
- [Configuration Examples for PTP, on page 78](#)
- [Related Documents, on page 79](#)
- [Feature History for PTP, on page 80](#)

## Finding Feature Information

Your software release might not support all the features documented in this module. For the latest caveats and feature information, see the Bug Search Tool at <https://tools.cisco.com/bugsearch/> and the release notes for your software release. To find information about the features documented in this module, and to see a list of the releases in which each feature is supported, see the "New and Changed Information" chapter or the Feature History table in this chapter.

## About PTP

PTP is a time synchronization protocol for nodes distributed across a network. Its hardware timestamp feature provides greater accuracy than other time synchronization protocols such as the Network Time Protocol (NTP).

Beginning with Cisco NX-OS Release 7.3(0)D1(1), PTP also implements IEEE 802.1AS to support Audio Video Bridging (AVB) on Nexus 7700 platform for F3 line cards. For details on AVB configuration, see "*Cisco Nexus 7000 Audio Video Bridging Configuration Guide*".

A PTP system can consist of a combination of PTP and non-PTP devices. PTP devices include ordinary clocks, boundary clocks, and transparent clocks. Non-PTP devices include ordinary network switches, routers, and other infrastructure devices.

PTP is a distributed protocol that specifies how real-time PTP clocks in the system synchronize with each other. These clocks are organized into a master-slave synchronization hierarchy with the grandmaster clock, which is the clock at the top of the hierarchy, determining the reference time for the entire system. Synchronization is achieved by exchanging PTP timing messages, with the members using the timing information to adjust their clocks to the time of their master in the hierarchy. PTP operates within a logical scope called a PTP domain.

## PTP Device Types

The following clocks are common PTP devices:

### Ordinary clock

Communicates with the network based on a single physical port, similar to an end host. An ordinary clock can function as a grandmaster clock.

### Boundary clock

Typically has several physical ports, with each port behaving like a port of an ordinary clock. However, each port shares the local clock, and the clock data sets are common to all ports. Each port decides its individual state, either master (synchronizing other ports connected to it) or slave (synchronizing to a downstream port), based on the best clock available to it through all of the other ports on the boundary clock. Messages related to synchronization and establishing the master-slave hierarchy terminate in the protocol engine of a boundary clock and are not forwarded.

### Transparent clock

Forwards all PTP messages like an ordinary switch or router but measures the residence time of a packet in the switch (the time that the packet takes to traverse the transparent clock) and in some cases the link delay of the ingress port for the packet. The ports have no state because the transparent clock does not need to synchronize to the grandmaster clock.

There are two kinds of transparent clocks:

#### End-to-end transparent clock

Measures the residence time of a PTP message and accumulates the times in the correction field of the PTP message or an associated follow-up message.

#### Peer-to-peer transparent clock

Measures the residence time of a PTP message and computes the link delay between each port and a similarly equipped port on another node that shares the link. For a packet, this incoming link delay is added to the residence time in the correction field of the PTP message or an associated follow-up message.



---

**Note** Beginning with Cisco NX-OS Release 7.3(0)D1(1) release, the generalized-PTP clock mode is introduced to support AVB feature.

---



**Note** PTP operates only in boundary clock mode. Cisco recommends deployment of a Grand Master Clock (10 MHz) upstream, with servers containing clocks requiring synchronization connected to the switch. End-to-end transparent clock and peer-to-peer transparent clock modes are not supported.

## PTP Process

The PTP process consists of two phases: establishing the master-slave hierarchy and synchronizing the clocks.

Within a PTP domain, each port of an ordinary or boundary clock follows this process to determine its state:

- Examines the contents of all received announce messages (issued by ports in the master state)
- Compares the data sets of the foreign master (in the announce message) and the local clock for priority, clock class, accuracy, and so on
- Determines its own state as either master or slave

After the master-slave hierarchy has been established, the clocks are synchronized as follows:

- The master sends a synchronization message to the slave and notes the time it was sent.
- The slave receives the synchronization message and notes the time that it was received. For every synchronization message, there is a follow-up message. Hence, the number of sync messages should be equal to the number of follow-up messages.
- The slave sends a delay-request message to the master and notes the time it was sent.
- The master receives the delay-request message and notes the time it was received.
- The master sends a delay-response message to the slave. The number of delay request messages should be equal to the number of delay response messages.
- The slave uses these timestamps to adjust its clock to the time of its master.

## Pong

The network-monitoring tool Pong leverages the PTP's time synchronization infrastructure to diagnose the health of the network. Pong measures port-to-port delays and is similar to the network-monitoring utility Ping but provides for a greater depth of network diagnostics. Make sure to increase the interface MTU when you attempt pong to a destination that is several hops away.

## Clock Manager

Clocks are resources that need to be shared across different processes and across different VDCs. Multiple time synchronization protocols (such as NTP and PTP) might be running in the system, and multiple instances of the same protocol might be running in different VDCs. The clock manager allows you to specify the protocol and a VDC running that protocol to control the various clocks in the system. For information on configuring the clock manager, see the *Cisco Nexus 7000 Series NX-OS Fundamentals Configuration Guide*.

## High Availability for PTP

Stateful restarts are supported for PTP. After a reboot or a supervisor switchover, the running configuration is applied. For more information on high availability, see the *Cisco Nexus 7000 Series NX-OS High Availability and Redundancy Guide*.

## Virtualization Support

Cisco NX-OS supports multiple instances of PTP, one instance per virtual device context (VDC). By default, Cisco NX-OS places you in the default VDC unless you specifically configure another VDC. For more information about VDCs, see the *Cisco Nexus 7000 Series NX-OS Virtual Device Context Configuration Guide*.

## Licensing Requirements for PTP

PTP requires no license. Any feature not included in a license package is bundled with the Cisco NX-OS system images and is provided at no extra charge to you. For a complete explanation of the Cisco NX-OS licensing scheme, see the *Cisco NX-OS Licensing Guide*.

## Prerequisites for PTP

PTP has the following prerequisites:

- To configure VDCs, you must install the appropriate license. See the *Cisco Nexus 7000 Series NX-OS Virtual Device Context Configuration Guide* for configuration information and the *Cisco NX-OS Licensing Guide* for licensing information.

## Guidelines and Limitations for PTP

- PTP operates only in boundary clock mode, and in gPTP mode to support AVB. The end-to-end transparent clock and peer-to-peer transparent clock modes are not supported.
- Only one PTP process can control all of the port clocks through the clock manager.
- PTP supports transport over User Datagram Protocol (UDP).
- Transport over Ethernet is supported on AVB application.
- PTP supports only multicast communication. Negotiated unicast communication is supported on AVB application.
- PTP is limited to a single domain per network.
- All management messages are forwarded on ports on which PTP is enabled. Handling management messages is not supported.
- PTP-capable ports do not identify PTP packets and do not time-stamp or redirect those packets unless you enable PTP on those ports.

- PTP can be enabled on F1, F2, F2e, F3, F4, M2, and M3 Series module ports.
- PTP is not supported on the breakout ports, logical interfaces, sub interfaces, and FEX interfaces.
- For F1 Series modules, PTP is not supported on the port if priority flow control is enabled. Similarly, priority flow control is not supported if PTP is enabled on the same port.
- For F1 Series modules, Pong is not supported on the VDC if priority flow control is enabled on any of the ports in the same VDC. Similarly, priority flow control is not supported if Pong is enabled in the same VDC.
- Beginning with Cisco NX-OS Release 6.1, PTP is supported in Layer 3 mode for F2, F2e, and M2 Series modules.
- Beginning with Cisco NX-OS Release 6.2.6, PTP is supported in F3 Series modules.
- PTP Encapsulation is supported starting from in Cisco Nexus 7.3.0. The default value is Layer 3.
- PTP over FabricPath is not supported.
- Starting from Cisco NX-OS Release 8.4(1) Pong is supported on M3 Series modules.
- Starting from Cisco NX-OS Release 8.4(1), PTP can be enabled on F4-Series I/O modules.

## Default Settings for PTP

The following table lists the default settings for PTP parameters.

**Table 6: Default PTP Parameters**

Parameters	Default
PTP	Disabled
PTP version	2
PTP domain	0
PTP priority 1 value when advertising the clock	255
PTP priority 2 value when advertising the clock	255
PTP announce interval	1 log second
PTP announce timeout	3 announce intervals
PTP minimum delay request interval	0 log seconds
PTP VLAN	1

# Configuring PTP

## Configuring PTP Globally

You can enable or disable PTP globally on a device. You can also configure various PTP clock parameters to help determine which clock in the network has the highest priority to be selected as the grandmaster.

### Procedure

	Command or Action	Purpose
<b>Step 1</b>	switch# <b>configure terminal</b>	Enters global configuration mode.
<b>Step 2</b>	switch(config) # <b>[no] feature ptp</b>	Enables or disables PTP on the device.  <b>Note</b> Enabling PTP on the switch does not enable PTP on each interface.
<b>Step 3</b>	switch(config) # <b>[no] ptp source ip-address</b>	Configures the source IP address for all PTP packets.  The <i>ip-address</i> can be in IPv4 or IPv6 format.
<b>Step 4</b>	(Optional) switch(config) # <b>[no] ptp domain number</b>	Configures the domain number to use for this clock. PTP domains allow you to use multiple independent PTP clocking subdomains on a single network.  The range for the <i>number</i> is from 0 to 128.
<b>Step 5</b>	(Optional) switch(config) # <b>[no] ptp priority1 value</b>	Configures the priority1 value to use when advertising this clock. This value overrides the default criteria (clock quality, clock class, and etc.) for best master clock selection. Lower values take precedence.  The range for the <i>value</i> is from 0 to 255.
<b>Step 6</b>	(Optional) switch(config) # <b>[no] ptp priority2 value</b>	Configures the priority2 value to use when advertising this clock. This value is used to decide between two devices that are otherwise equally matched in the default criteria. For example, you can use the priority2 value to give a specific switch priority over other identical switches.  The range for the <i>value</i> is from 0 to 255.
<b>Step 7</b>	(Optional) switch(config) # <b>[no] ptp encapsulation {layer-2   layer-3}</b>	Configures the encapsulation that is to be used for PTP. In Layer 3 encapsulation, PTP packets are encapsulated with IP + UDP frame. In Layer 2 encapsulation, PTP packets are



	Command or Action	Purpose
		encapsulated within the Ethernet frame. The default PTP encapsulation is Layer-3; PTP mode is Boundary. Layer 2 encapsulation is supported only with AVB.
<b>Step 8</b>	(Optional) switch(config) # [no] <b>ptp mode {boundary-clock   generalized-PTP   transparent-clock peer-to-peer}</b>	Configures the PTP device mode. The default mode is <i>boundary-clock</i> . The generalized-PTP mode is used for AVB. The transparent-clock <i>peer-to-peer mode</i> is added for experimental purpose, not supported officially.
<b>Step 9</b>	(Optional) switch(config) # [no] <b>ptp switchlatency-estimated value</b>	Configures the maximum estimate switch latency value in nano-secs (ns). This value is used in AVB. The range is 0 - 2147483647. The default value is 5000.
<b>Step 10</b>	(Optional) switch(config) # [no] <b>show ptp clock foreign-masters record [interface ethernet slot/ port]</b>	Displays information about foreign masters.
<b>Step 11</b>	(Optional) switch(config) # [no] <b>show ptp delay summary</b>	Displays link delay and residency delay information for all interfaces. It is used in AVB.
<b>Step 12</b>	(Optional) switch(config) # [no] <b>show ptp parent</b>	Displays parent clock information.
<b>Step 13</b>	(Optional) switch(config) # [no] <b>show ptp time-property</b>	Displays local clock time property information.
<b>Step 14</b>	(Optional) switch(config) # [no] <b>show ptp corrections</b>	Displays the latest few corrections on this node.
<b>Step 15</b>	(Optional) switch(config) # <b>show ptp brief</b>	Displays the PTP status.
<b>Step 16</b>	(Optional) switch(config) # <b>show ptp clock</b>	Displays the properties of the local clock.
<b>Step 17</b>	(Optional) switch(config) # <b>show ptp clock</b>	Displays the properties of the local clock.

### Example

This example shows how to configure PTP globally on the device, specify the source IP address for PTP communications, and configure a preference level for the clock:

```
switch# configure terminal
switch(config)# feature ptp
switch(config)# ptp source 10.10.10.1
switch(config)# ptp priority1 1
switch(config)# ptp priority2 1
switch(config)# show ptp brief
PTP port status
-----
Port State
-----
```

```

switch(config)# show ptp clock
PTP Device Type: Boundary clock
Clock Identity : 0:22:55:ff:ff:79:a4:c1
Clock Domain: 0
Number of PTP ports: 0
Priority1 : 1
Priority2 : 1
Clock Quality:
Class : 248
Accuracy : 254
Offset (log variance) : 65535
Offset From Master : 0
Mean Path Delay : 0
Steps removed : 0
Local clock time:Sun Jul 3 14:13:24 2011
switch(config)#

```

## Configuring PTP on an Interface

After you globally enable PTP, it is not enabled on all supported interfaces by default. You must enable PTP interfaces individually.

### Before you begin

Make sure that you have globally enabled PTP on the switch and configured the source IP address for PTP communication.

### Procedure

	Command or Action	Purpose
<b>Step 1</b>	switch# <b>configure terminal</b>	Enters global configuration mode.
<b>Step 2</b>	switch(config) # <b>interface ethernet slot/port</b>	Specifies the interface on which you are enabling PTP and enters the interface configuration mode.
<b>Step 3</b>	switch(config-if) # <b>[no] ptp</b>	Enables or disables PTP on an interface.
<b>Step 4</b>	(Optional) switch(config-if) # <b>[no] ptp announce {interval log seconds   timeout count}</b>	Configures the interval between PTP announce messages on an interface or the number of PTP intervals before a timeout occurs on an interface.  The range for the PTP announcement interval is from 0 to 4 seconds, and the range for the interval timeout is from 2 to 10.
<b>Step 5</b>	(Optional) switch(config-if) # <b>[no] ptp delay request minimum interval log seconds</b>	Configures the minimum interval allowed between PTP delay-request messages when the port is in the master state.  The range is from log(-6) to log(1) seconds. Where, log(-2) = 2 frames per second.

	Command or Action	Purpose
<b>Step 6</b>	(Optional) switch(config-if) # <b>[no] ptp sync interval log seconds</b>	Configures the interval between PTP synchronization messages on an interface.
<b>Step 7</b>	(Optional) switch(config-if) # <b>[no] ptp vlan vlan-id</b>	Specifies the VLAN for the interface where PTP is being enabled. You can only enable PTP on one VLAN on an interface.  The range is from 1 to 4094.
<b>Step 8</b>	(Optional) switch(config-if) # <b>show ptp brief</b>	Displays the PTP status.
<b>Step 9</b>	(Optional) switch(config-if) # <b>show ptp port interface interface slot/port</b>	Displays the status of the PTP port.
<b>Step 10</b>	(Optional) switch(config-if)# <b>copy running-config startup-config</b>	Saves the change persistently through reboots and restarts by copying the running configuration to the startup configuration.

### Example

This example shows how to configure PTP on an interface and configure the intervals for the announce, delay-request, and synchronization messages:

```
switch# configure terminal
switch(config)# interface ethernet 2/1
switch(config-if)# ptp
switch(config-if)# ptp announce interval 3
switch(config-if)# ptp announce timeout 2
switch(config-if)# ptp delay-request minimum interval 4
switch(config-if)# ptp sync interval -1
switch(config-if)# show ptp brief
PTP port status
-----
Port State
-----
Eth2/1 Master
switch(config-if)# show ptp port interface ethernet 2/1
PTP Port Dataset: Eth2/1
Port identity: clock identity: 0:22:55:ff:ff:79:a4:c1
Port identity: port number: 1028
PTP version: 2
Port state: Master
Delay request interval(log mean): 4
Announce receipt time out: 2
Peer mean path delay: 0
Announce interval(log mean): 3
Sync interval(log mean): -1
Delay Mechanism: End to End
Peer delay request interval(log mean): 0
switch(config-if)#
```

## Verifying the PTP Configuration

Use one of the following commands to verify the configuration:

Table 7: PTP Show Commands

Command	Purpose
<b>show ptp brief</b>	Displays the PTP status.
<b>show ptp clock</b>	Displays the properties of the local clock, including clock identity.
<b>show ptp clock foreign-masters-record</b>	Displays the state of foreign masters known to the PTP process. For each foreign master, the output displays the clock identity, basic clock properties, and whether the clock is being used as a grandmaster.
<b>show ptp corrections</b>	Displays the last few PTP corrections.
<b>show ptp parent</b>	Displays the properties of the PTP parent.
<b>show ptp port interface ethernet <i>slot/port</i></b>	Displays the status of the PTP port on the switch.

## Configuration Examples for PTP

This example shows how to configure PTP globally on the device, specify the source IP address for PTP communications, and configure a preference level for the clock:

```
switch# config t
switch(config)# feature ptp
switch(config)# ptp source 10.10.10.1
switch(config)# ptp priority1 1
switch(config)# ptp priority2 1
switch(config)# show ptp brief
PTP port status
-----
Port          State
-----
switch(config)# show ptp clock
PTP Device Type: Boundary clock
Clock Identity : 0:22:55:ff:fe:79:a4:c1
Clock Domain: 0
Number of PTP ports: 0
Priority1 : 1
Priority2 : 1
Clock Quality:
  Class : 248
  Accuracy : 254
  Offset (log variance) : 65535
Offset From Master : 0
Mean Path Delay : 0
Steps removed : 0
Local clock time:Sun Jul 3 14:13:24 2011
```

This example shows how to configure PTP on an interface and configure the intervals for the announce, delay-request, and synchronization messages:

```
switch# config t
switch(config)# interface ethernet 2/1
switch(config-if)# ptp
```

```

switch(config-if)# ptp announce interval 3
switch(config-if)# ptp announce timeout 2
switch(config-if)# ptp delay-request minimum interval 4
switch(config-if)# ptp sync interval -1
switch(config-if)# show ptp brief
PTP port status
-----
Port      State
-----
Eth2/1    Master
switch(config-if)# show ptp port interface ethernet 2/1
PTP Port Dataset: Eth2/1
Port identity: clock identity: 0:22:55:ff:fe:79:a4:c1
Port identity: port number: 1028
PTP version: 2
Port state: Master
Delay request interval(log mean): 4
Announce receipt time out: 2
Peer mean path delay: 0
Announce interval(log mean): 3
Sync interval(log mean): -1
Delay Mechanism: End to End
Peer delay request interval(log mean): 0

```

## Related Documents

Related Topic	Document Title
PTP CLI commands	<i>Cisco Nexus 7000 Series NX-OS System Management Command Reference</i>
Pong	<i>Cisco Nexus 7000 Series NX-OS Troubleshooting Guide</i>
Clock manager	<i>Cisco Nexus 7000 Series NX-OS Fundamentals Configuration Guide</i>
VDCs	<i>Cisco Nexus 7000 Series NX-OS Virtual Device Context Configuration Guide</i>

## Related Documents

Related Topic	Document Title
PTP CLI commands	<i>Cisco Nexus 7000 Series NX-OS System Management Command Reference</i>
VDCs	<i>Cisco Nexus 7000 Series NX-OS Virtual Device Context Configuration Guide</i>
Pong	<i>Cisco Nexus 7000 Series NX-OS Troubleshooting Guide</i>

Related Topic	Document Title
Clock manager	<i>Cisco Nexus 7000 Series NX-OS Fundamentals Configuration Guide</i>

## MIBs

MIBs	MIBs link
CISCO-PTP-MIB	To locate and download supported MIBs, go to the following URL: <a href="ftp://ftp.cisco.com/pub/mibs/supportlists/nexus7000/Nexus7000MIBSupportList.html">ftp://ftp.cisco.com/pub/mibs/supportlists/nexus7000/Nexus7000MIBSupportList.html</a>

## Feature History for PTP

The table below summarizes the new and changed features for this document and shows the releases in which each feature is supported. Your software release might not support all the features in this document. For the latest caveats and feature information, see the Bug Search Tool at <https://tools.cisco.com/bugsearch/> and the release notes for your software release.

**Table 8: Feature History for PTP**

Feature Name	Releases	Feature Information
Pong	8.4(1)	Added Pong support for M3 Series modules.
PTP	8.4(1)	Added PTP support for F4-Series I/O modules.
PTP	7.3(0)D1(1)	Added support for AVB, 802.1AS, generalized-ptp mode, peer-delay-response mechanism, layer-2 encapsulation only for F3 line cards on Nexus 7700 chassis. For details, refer to " <i>Cisco Nexus AVB configuration Guide</i> ".
PTP	6.2(6)	Added support in F3 Series Modules.
PTP	6.1(1)	Added PTP support in Layer 3 mode for F2, F2e, and M2 Series modules.
PTP	6.1(1)	Added support for M2 Series modules.
PTP	6.1(1)	Changed the PTP MAC format from FF:FF to FF:FE.

PTP	6.1(1)	Deprecated the <b>vrf</b> option from the <b>ptp source</b> command.
PTP	6.0(1)	Added PTP support on port-channel member ports.
PTP	6.0(1)	Added support for F2 Series modules.
PTP	5.2(1)	This feature was introduced.







## CHAPTER 6

# Configuring CDP

---

This chapter describes how to configure the Cisco Discovery Protocol (CDP) on Cisco NX-OS devices.

This chapter includes the following sections:

- [Finding Feature Information, on page 83](#)
- [About CDP, on page 83](#)
- [Licensing Requirements for CDP, on page 85](#)
- [Prerequisites for CDP, on page 85](#)
- [Guidelines and Limitations for CDP, on page 85](#)
- [Default Settings for CDP, on page 85](#)
- [Configuring CDP, on page 86](#)
- [Verifying the CDP Configuration, on page 88](#)
- [Configuration Example for CDP, on page 89](#)
- [Additional References, on page 89](#)
- [Feature History for CDP, on page 90](#)

## Finding Feature Information

Your software release might not support all the features documented in this module. For the latest caveats and feature information, see the Bug Search Tool at <https://tools.cisco.com/bugsearch/> and the release notes for your software release. To find information about the features documented in this module, and to see a list of the releases in which each feature is supported, see the "New and Changed Information" chapter or the Feature History table in this chapter.

## About CDP

The Cisco Discovery Protocol (CDP) is a media-independent and protocol-independent protocol that runs on all Cisco-manufactured equipment including routers, bridges, access and communication servers, and switches. You can use CDP to discover and view information about all the Cisco devices that are directly attached to the device.

CDP gathers protocol addresses of neighboring devices and discovers the platform of those devices. CDP runs over the data link layer only. Two systems that support different Layer 3 protocols can learn about each other.

Each device that you configure for CDP sends periodic advertisements to a multicast address. Each device advertises at least one address at which it can receive SNMP messages. The advertisements also contain hold-time information, which indicates the length of time that a receiving device should hold CDP information before removing it. You can configure the advertisement or refresh timer and the hold timer.

CDP Version-2 (CDPv2) allows you to track instances where the native VLAN ID or port duplex states do not match between connecting devices.

CDP advertises the following type-length-value fields (TLVs):

- Device ID
- Address
- Port ID
- Capabilities
- Version
- Platform
- Native VLAN
- Full/Half Duplex
- MTU
- SysName
- SysObjectID
- Management Address
- Physical Location
- VTP

All CDP packets include a VLAN ID. If you configure CDP on a Layer 2 access port, the CDP packets sent from that access port include the access port VLAN ID. If you configure CDP on a Layer 2 trunk port, the CDP packets sent from that trunk port include the lowest configured VLAN ID allowed on that trunk port. The trunk port can receive CDP packets that include any VLAN ID in the allowed VLAN list for that trunk port. For more information on VLANs, see the *Cisco Nexus 7000 Series NX-OS Layer 2 Switching Configuration Guide*.

## VTP Feature Support

CDP sends the VLAN Trunking Protocol (VTP) type-length-value field (TLV) if the following conditions are met:

- CDP Version 2 is enabled
- The VTP feature is enabled
- A VTP domain name is configured

You can view the VTP information with the **show cdp neighbors detail** command.

## High Availability

Cisco NX-OS supports both stateful and stateless restarts and switchover for CDP. For more information on high availability, see the *Cisco Nexus 7000 Series NX-OS High Availability and Redundancy Guide*.

## Virtualization Support

Cisco NX-OS supports multiple instances of CDP, one instance per virtual device context (VDC). By default, Cisco NX-OS places you in the default VDC unless you specifically configure another VDC. For more information on VDCs, see the *Cisco Nexus 7000 Series NX-OS Virtual Device Context Configuration Guide*.

## Licensing Requirements for CDP

Product	License Requirement
Cisco NX-OS	CDP requires no license. Any feature not included in a license package is bundled with the nx-os image and is provided at no extra charge to you. For a complete explanation of the Cisco NX-OS licensing scheme, see the <i>Cisco NX-OS Licensing Guide</i> .

## Prerequisites for CDP

If you configure VDCs, install the appropriate license and enter the desired VDC. See the *Cisco Nexus 7000 Series NX-OS Virtual Device Context Configuration Guide* for configuration information and the *Cisco NX-OS Licensing Guide* for licensing information.

## Guidelines and Limitations for CDP

CDP has the following configuration guidelines and limitations:

- CDP can discover up to 256 neighbors per port if the port is connected to a hub with 256 connections.
- CDP must be enabled on the device or you cannot enable it on any interfaces.
- You can configure CDP on physical interfaces and port channels only.
- CDP is not supported for the Cisco Nexus 2000 Series Fabric Extender.

## Default Settings for CDP

This table lists the default settings for CDP parameters.

Parameters	Default
CDP	Enabled globally and on all interfaces
CDP version	Version 2
CDP device ID	Serial number
CDP timer	60 seconds

Parameters	Default
CDP hold timer	180 seconds

## Configuring CDP



**Note** Be aware that the Cisco NX-OS commands for this feature may differ from those commands used in Cisco IOS.

## Enabling or Disabling CDP Globally

CDP is enabled by default. You can disable CDP and then reenabling it.

You must enable CDP on the device before you enable CDP on any interfaces. If CDP is disabled globally and you enable CDP on specified interfaces, CDP will not be active on those interfaces; the system does not return an error message.

### Procedure

	Command or Action	Purpose
<b>Step 1</b>	<b>configure terminal</b> <b>Example:</b> <pre>switch# configure terminal switch(config)#</pre>	Enters global configuration mode.
<b>Step 2</b>	<b>[no] cdp enable</b> <b>Example:</b> <pre>switch(config)# cdp enable</pre>	Enables or disables the CDP feature on the entire device. It is enabled by default.
<b>Step 3</b>	<b>(Optional) copy running-config startup-config</b> <b>Example:</b> <pre>switch(config)# copy running-config startup-config</pre>	Copies the running configuration to the startup configuration.

## Enabling or Disabling CDP on an Interface

CDP is enabled by default on an interface. You can disable CDP on an interface.

If CDP is disabled globally and you enable CDP on specified interfaces, CDP will not be active on those interfaces; the system does not return an error message.

**Procedure**

	<b>Command or Action</b>	<b>Purpose</b>
<b>Step 1</b>	<b>configure terminal</b> <b>Example:</b> switch# configure terminal switch(config)#	Enters global configuration mode.
<b>Step 2</b>	<b>interface <i>interface slot/port</i></b> <b>Example:</b> switch(config)# interface ethernet 1/2 switch(config-if)#	Enters interface configuration mode.
<b>Step 3</b>	<b>[no] cdp enable</b> <b>Example:</b> switch(config-if)# cdp enable	Enables or disables CDP on this interface. It is enabled by default.  <b>Note</b> Make sure that CDP is enabled globally on the device.
<b>Step 4</b>	(Optional) <b>show cdp interface <i>interface slot/port</i></b> <b>Example:</b> switch(config-if)# show cdp interface ethernet 1/2	Displays CDP information for an interface.
<b>Step 5</b>	(Optional) <b>copy running-config startup-config</b> <b>Example:</b> switch(config)# copy running-config startup-config	Copies the running configuration to the startup configuration.

## Configuring Optional CDP Parameters

You can use the optional commands in this procedure to modify CDP.

**Procedure**

	<b>Command or Action</b>	<b>Purpose</b>
<b>Step 1</b>	<b>configure terminal</b> <b>Example:</b> switch# configure terminal switch(config)#	Enters global configuration mode.
<b>Step 2</b>	(Optional) <b>cdp advertise {v1   v2}</b> <b>Example:</b> switch(config)# cdp advertise v1	Sets the CDP version supported by the device. The default is v2.

	Command or Action	Purpose
<b>Step 3</b>	(Optional) <b>cdp format device-id</b> { <b>mac-address</b>   <b>serial-number</b>   <b>system-name</b> }  <b>Example:</b> <pre>switch(config)# cdp format device-id mac-address</pre>	Sets the CDP device ID. The options are as follows: <ul style="list-style-type: none"> <li>• <b>mac-address</b>—The MAC address of the chassis.</li> <li>• <b>serial-number</b>—The chassis serial number/Organizationally Unique Identifier (OUI).</li> <li>• <b>system-name</b>—The system name or fully qualified domain name.</li> </ul> The default is <b>system-name</b> .
<b>Step 4</b>	(Optional) <b>cdp holdtime</b> <i>seconds</i>  <b>Example:</b> <pre>switch(config)# cdp holdtime 150</pre>	Sets the time that CDP holds onto neighbor information before removing it. The range is from 10 to 255 seconds. The default is 180 seconds.
<b>Step 5</b>	(Optional) <b>cdp timer</b> <i>seconds</i>  <b>Example:</b> <pre>switch(config)# cdp timer 50</pre>	Sets the refresh time when CDP sends advertisements to neighbors. The range is from 5 to 254 seconds. The default is 60 seconds.
<b>Step 6</b>	(Optional) <b>copy running-config startup-config</b>  <b>Example:</b> <pre>switch(config)# copy running-config startup-config</pre>	Copies the running configuration to the startup configuration.

## Verifying the CDP Configuration

To display the CDP configuration, perform one of the following tasks:

Command	Purpose
<b>show cdp all</b>	Displays all interfaces that have CDP enabled.
<b>show cdp entry</b> { <b>all</b>   <b>name</b> <i>entry-name</i> }	Displays the CDP database entries.
<b>show cdp global</b>	Displays the CDP global parameters.
<b>show cdp interface</b> <i>interface slot/port</i>	Displays the CDP interface status.
<b>show cdp neighbors</b> { <b>device-id</b>   <b>interface</b> <i>interface slot/port</i> } [ <b>detail</b> ]	Displays the CDP neighbor status.
<b>show cdp interface</b> <i>interface slot/port</i>	Displays the CDP traffic statistics on an interface.

Use the **clear cdp counters** command to clear CDP statistics on an interface.

Use the **clear cdp table** command to clear the CDP cache for one or all interfaces.

# Configuration Example for CDP

This example shows how to enable the CDP feature and configure the refresh and hold timers:

```
config t
cdp enable
cdp timer 50
cdp holdtime 100
```

This example shows how to display the CDP global parameters:

```
switch# show cdp neighbors

Capability Codes: R - Router, T - Trans-Bridge, B - Source-Route-Bridge
                  S - Switch, H - Host, I - IGMP, r - Repeater,
                  V - VoIP-Phone, D - Remotely-Managed-Device,
                  s - Supports-STP-Dispute

Device-ID         Local Intrfce   Hldtme Capability   Platform         Port ID
Mgmt-switch
                  mgmt0           148    R S I          WS-C4948-10GE   Gig1/37
switch88 (FOX1518GRE6)
                  Eth1/25         164    R S I s        N5K-C5596UP     Eth1/25
switch89 (FOX1518GQJ2)
                  Eth1/26         163    R S I s        N5K-C5596UP     Eth1/25
```

## Additional References

### Related Documents

Related Topic	Document Title
CDP CLI commands	<i>Cisco Nexus 7000 Series NX-OS System Management Command Reference</i>
VDCs and VRFs	<i>Cisco Nexus 7000 Series NX-OS Virtual Device Context Configuration Guide</i>

### MIBs

MIBs	MIBs Link
MIBs related to CDP	To locate and download supported MIBs, go to the following URL: <a href="http://www.cisco.com/public/sw-center/netmgmt/cmtk/mibs.shtml">http://www.cisco.com/public/sw-center/netmgmt/cmtk/mibs.shtml</a>

## Feature History for CDP

The table below summarizes the new and changed features for this document and shows the releases in which each feature is supported. Your software release might not support all the features in this document. For the latest caveats and feature information, see the Bug Search Tool at <https://tools.cisco.com/bugsearch/> and the release notes for your software release.

**Table 9: Feature History for CDP**

Feature Name	Releases	Feature Information
CDP support for VTP domain name	4.2(1)	CDP advertises the VLAN Trunking Protocol (VTP) type-length-value field (TLV) in CDP version-2 packets.





## CHAPTER 7

# Configuring System Message Logging

This chapter describes how to configure system message logging on Cisco NX-OS devices.

This chapter contains the following sections:

- [Finding Feature Information, on page 91](#)
- [About System Message Logging, on page 91](#)
- [Licensing Requirements for System Message Logging, on page 93](#)
- [Guidelines and Limitations for System Message Logging, on page 93](#)
- [Default Settings for System Message Logging, on page 93](#)
- [Configuring System Message Logging, on page 94](#)
- [Verifying the System Message Logging Configuration, on page 103](#)
- [Configuration Example for System Message Logging, on page 104](#)
- [Additional References, on page 104](#)
- [Feature History for System Message Logging, on page 104](#)

## Finding Feature Information

Your software release might not support all the features documented in this module. For the latest caveats and feature information, see the Bug Search Tool at <https://tools.cisco.com/bugsearch/> and the release notes for your software release. To find information about the features documented in this module, and to see a list of the releases in which each feature is supported, see the "New and Changed Information" chapter or the Feature History table in this chapter.

## About System Message Logging

You can use system message logging to control the destination and to filter the severity level of messages that system processes generate. You can configure logging to terminal sessions, a log file, and syslog servers on remote systems.

System message logging is based on [RFC 3164](#). For more information about the system message format and the messages that the device generates, see the *Cisco NX-OS System Messages Reference*.

By default, the device outputs messages to terminal sessions and logs system messages to a log file.

The following table describes the severity levels used in system messages. When you configure the severity level, the system outputs messages at that level and lower.

Table 10: System Message Severity Levels

Level	Description
0 – emergency	System unusable
1 – alert	Immediate action needed
2 – critical	Critical condition
3 – error	Error condition
4 – warning	Warning condition
5 – notification	Normal but significant condition
6 – informational	Informational message only
7 – debugging	Appears during debugging only

The device logs the most recent 100 messages of severity 0, 1, or 2 to the NVRAM log. You cannot configure logging to the NVRAM.

You can configure which system messages should be logged based on the facility that generated the message and its severity level.

## Syslog Servers

The syslog servers run on remote systems that log system messages based on the syslog protocol. You can configure up to eight IPv4 or IPv6 syslog servers.

To support the same configuration of syslog servers on all switches in a fabric, you can use Cisco Fabric Services (CFS) to distribute the syslog server configuration.



### Note

When the device first initializes, messages are sent to syslog servers only after the network is initialized.

## Binary Tech Support

Binary tech support is a log-collecting framework that collects logs internally from all Cisco NX-OS processes that are running on the device. Enter the **show tech-support all binary uri** command to collect logs from across the entire device, including virtual device contexts (VDCs), and linecards. The logs are saved under one tarball that can be easily transferred for later analysis. If a line card fails during the log collection, binary tech support continues to collect logs from all remaining line cards and VDCs.

## Virtualization Support

A virtual device context (VDC) is a logical representation of a set of system resources. System message logging applies only to the VDC where commands are entered.

For information about configuring VDCs, see the *Cisco Nexus 7000 Series NX-OS Virtual Device Context Configuration Guide*.

## Licensing Requirements for System Message Logging

Product	License Requirement
Cisco NX-OS	System message logging requires no license. Any feature not included in a license package is bundled with the nx-os image and is provided at no extra charge to you. For a complete explanation of the Cisco NX-OS licensing scheme, see the <i>Cisco NX-OS Licensing Guide</i> .

## Guidelines and Limitations for System Message Logging

System messages are logged to the console and the log file by default.

For the secure syslog server(s) to be reachable over in-band (non-management) interface, the CoPP profile may need tweaks especially when multiple logging servers are configured, and when lot of syslogs get generated in a short time (such as boot up, configuration application, and so on).

Platform related syslogs would be showing up only in the log file of the admin VDC or VDC 1 (default VDC) if the admin VDC is not in use. However, these events may impact the functionality of other VDCs (such as fabric CRC errors generated from specific modules, and so on). Hence it is required to configure syslog server in this VDC as well as have the IP reachability to syslog server in the admin VDC or VDC 1 (default VDC) in order to capture and monitor platform related syslog events.

## Default Settings for System Message Logging

The following table lists the default settings for the system message logging parameters.

**Table 11: Default System Message Logging Parameters**

Parameters	Default
Console logging	Enabled at severity level 2
Monitor logging	Enabled at severity level 5
Log file logging	Enabled to log messages at severity level 5
Module logging	Enabled at severity level 5
Facility logging	Enabled
Time-stamp units	Seconds

Parameters	Default
Syslog server logging	Disabled
Syslog server configuration distribution	Disabled

## Configuring System Message Logging



**Note** Be aware that the Cisco NX-OS commands for this feature might differ from those commands used in Cisco IOS.

## Configuring System Message Logging to Terminal Sessions

You can configure the device to log messages by their severity level to console, Telnet, and SSH sessions. By default, logging is enabled for terminal sessions.



**Note** The current critical (default) logging level is maintained if the console baud speed is 9600 baud (default). All attempts to change the console logging level will generate an error message. To increase the logging level (above critical), you must change the console baud speed to 38400 baud.

### Procedure

	Command or Action	Purpose
<b>Step 1</b>	<b>terminal monitor</b> <b>Example:</b> switch# terminal monitor	Enables the device to log messages to the console.
<b>Step 2</b>	<b>configure terminal</b> <b>Example:</b> switch# configure terminal switch(config)#	Enters global configuration mode.
<b>Step 3</b>	<b>[no] logging console [severity-level]</b> <b>Example:</b> switch(config)# logging console 3	Configures the device to log messages to the console session based on a specified severity level or higher. A lower number indicates a higher severity level. Severity levels range from 0 to 7: <ul style="list-style-type: none"> <li>• 0 – emergency</li> <li>• 1 – alert</li> <li>• 2 – critical</li> </ul>

	Command or Action	Purpose
		<ul style="list-style-type: none"> <li>• 3 – error</li> <li>• 4 – warning</li> <li>• 5 – notification</li> <li>• 6 – informational</li> <li>• 7 – debugging</li> </ul> <p>If the severity level is not specified, the default of 2 is used. The <b>no</b> option disables the device's ability to log messages to the console.</p>
<b>Step 4</b>	(Optional) <b>show logging console</b> <b>Example:</b> <pre>switch(config)# show logging console</pre>	Displays the console logging configuration.
<b>Step 5</b>	<b>[no] logging monitor [severity-level]</b> <b>Example:</b> <pre>switch(config)# logging monitor 3</pre>	<p>Enables the device to log messages to the monitor based on a specified severity level or higher. A lower number indicates a higher severity level. Severity levels range from 0 to 7:</p> <ul style="list-style-type: none"> <li>• 0 – emergency</li> <li>• 1 – alert</li> <li>• 2 – critical</li> <li>• 3 – error</li> <li>• 4 – warning</li> <li>• 5 – notification</li> <li>• 6 – informational</li> <li>• 7 – debugging</li> </ul> <p>The configuration applies to Telnet and SSH sessions.</p> <p>If the severity level is not specified, the default of 2 is used. The <b>no</b> option disables the device's ability to log messages to the Telnet and SSH sessions.</p>
<b>Step 6</b>	(Optional) <b>show logging monitor</b> <b>Example:</b> <pre>switch(config)# show logging monitor</pre>	Displays the monitor logging configuration.
<b>Step 7</b>	<b>[no] logging message interface type ethernet description</b>	Enables you to add the description for physical Ethernet interfaces and subinterfaces in the

	Command or Action	Purpose
	<b>Example:</b> <pre>switch(config)# logging message interface type ethernet description</pre>	<p>system message log. The description is the same description that was configured on the interface.</p> <p>The <b>no</b> option disables the printing of the interface description in the system message log for physical Ethernet interfaces.</p>
<b>Step 8</b>	(Optional) <b>copy running-config startup-config</b>  <b>Example:</b> <pre>switch(config)# copy running-config startup-config</pre>	Copies the running configuration to the startup configuration.

## Logging System Messages to a File

You can configure the device to log system messages to a file. By default, system messages are logged to the file `log:messages`.

### Procedure

	Command or Action	Purpose
<b>Step 1</b>	<b>configure terminal</b>  <b>Example:</b> <pre>switch# configure terminal switch(config)#</pre>	Enters global configuration mode.
<b>Step 2</b>	<b>[no] logging logfile logfile-name severity-level [size bytes]</b>  <b>Example:</b> <pre>switch(config)# logging logfile my_log 6</pre>	<p>Configures the name of the log file used to store system messages and the minimum severity level to log.</p> <p>When you configure a new logfile without specifying the size, the existing/previously specified logfile size is assigned and the default file size is not considered.</p> <p>A lower number indicates a higher severity level. Severity levels range from 0 to 7:</p> <ul style="list-style-type: none"> <li>• 0 – emergency</li> <li>• 1 – alert</li> <li>• 2 – critical</li> <li>• 3 – error</li> <li>• 4 – warning</li> <li>• 5 – notification</li> <li>• 6 – informational</li> <li>• 7 – debugging</li> </ul>

	Command or Action	Purpose
		You can optionally specify a maximum file size. The default severity level is 5, and the default file size is 4194304 bytes. The file size range is from 4096 to 4194304 bytes.
<b>Step 3</b>	<b>logging event</b> {link-status   trunk-status} {enable   default} <b>Example:</b> <pre>switch# logging event link-status default switch(config)#</pre>	Logs interface events. <ul style="list-style-type: none"> <li>• <b>link-status</b>—Logs all UP/DOWN and CHANGE messages.</li> <li>• <b>trunk-status</b>—Logs all TRUNK status messages.</li> <li>• <b>enable</b>—Specifies to enable logging to override the port level configuration.</li> <li>• <b>default</b>—Specifies that the default logging configuration is used by interfaces not explicitly configured.</li> </ul>
<b>Step 4</b>	(Optional) <b>show logging info</b> <b>Example:</b> <pre>switch(config)# show logging info</pre>	Displays the logging configuration.
<b>Step 5</b>	(Optional) <b>copy running-config startup-config</b> <b>Example:</b> <pre>switch(config)# copy running-config startup-config</pre>	Copies the running configuration to the startup configuration.

## Configuring Module and Facility Messages Logging

You can configure the severity level and time-stamp units of messages logged by modules and facilities.

### Procedure

	Command or Action	Purpose
<b>Step 1</b>	<b>configure terminal</b> <b>Example:</b> <pre>switch# configure terminal switch(config)#</pre>	Enters global configuration mode.
<b>Step 2</b>	<b>[no] logging module</b> [ <i>severity-level</i> ] <b>Example:</b> <pre>switch(config)# logging module 3</pre>	Enables module log messages that have the specified severity level or higher. Severity levels range from 0 to 7: <ul style="list-style-type: none"> <li>• 0 – emergency</li> <li>• 1 – alert</li> </ul>

	Command or Action	Purpose
		<ul style="list-style-type: none"> <li>• 2 – critical</li> <li>• 3 – error</li> <li>• 4 – warning</li> <li>• 5 – notification</li> <li>• 6 – informational</li> <li>• 7 – debugging</li> </ul> <p>If the severity level is not specified, the default of 5 is used. The <b>no</b> option disables module log messages.</p>
<b>Step 3</b>	(Optional) <b>show logging module</b> <b>Example:</b> <pre>switch(config)# show logging module</pre>	Displays the module logging configuration.
<b>Step 4</b>	<b>[no] logging level <i>facility severity-level</i></b> <b>Example:</b> <pre>switch(config)# logging level aaa 2</pre>	Enables logging messages from the specified facility that have the specified severity level or higher. Severity levels range from 0 to 7: <ul style="list-style-type: none"> <li>• 0 – emergency</li> <li>• 1 – alert</li> <li>• 2 – critical</li> <li>• 3 – error</li> <li>• 4 – warning</li> <li>• 5 – notification</li> <li>• 6 – informational</li> <li>• 7 – debugging</li> </ul> <p>To apply the same severity level to all facilities, use the <b>all</b> facility. For defaults, see the <b>show logging level</b> command.</p> <p>The <b>no</b> option resets the logging severity level for the specified facility to its default level. If you do not specify a facility and severity level, the device resets all facilities to their default levels.</p>
<b>Step 5</b>	(Optional) <b>show logging level [<i>facility</i>]</b> <b>Example:</b> <pre>switch(config)# show logging level aaa</pre>	Displays the logging level configuration and the system default level by facility. If you do not specify a facility, the device displays levels for all facilities.



	Command or Action	Purpose
<b>Step 6</b>	<b>[no] logging timestamp {microseconds   milliseconds   seconds}</b>  <b>Example:</b> switch(config)# logging timestamp milliseconds	Sets the logging time-stamp units. By default, the units are seconds.  <b>Note</b> This command applies to logs that are kept in the switch. It does not apply to the external logging server.
<b>Step 7</b>	(Optional) <b>show logging timestamp</b>  <b>Example:</b> switch(config)# show logging timestamp	Displays the logging time-stamp units configured.
<b>Step 8</b>	(Optional) <b>copy running-config startup-config</b>  <b>Example:</b> switch(config)# copy running-config startup-config	Copies the running configuration to the startup configuration.

## Configuring Syslog Servers

You can configure up to eight syslog servers that reference remote systems where you want to log system messages.



**Note** Cisco recommends that you configure the syslog server to use the management virtual routing and forwarding (VRF) instance. For more information on VRFs, see the *Cisco Nexus 7000 Series NX-OS Unicast Routing Configuration Guide*.

### Procedure

	Command or Action	Purpose
<b>Step 1</b>	<b>configure terminal</b>  <b>Example:</b> switch# configure terminal switch(config)#	Enters global configuration mode.
<b>Step 2</b>	<b>[no] logging server host [severity-level [use-vrf vrf-name]]</b>  <b>Example:</b> switch(config)# logging server 192.0.2.253  <b>Example:</b> switch(config)# logging server 2001:db8::3 5 use-vrf red	Configures a syslog server at the specified hostname or IPv4 or IPv6 address. You can limit logging of messages to a particular VRF by using the <b>use-vrf</b> keyword. Severity levels range from 0 to 7: <ul style="list-style-type: none"> <li>• 0 – emergency</li> <li>• 1 – alert</li> <li>• 2 – critical</li> <li>• 3 – error</li> </ul>

	Command or Action	Purpose
		<ul style="list-style-type: none"> <li>• 4 – warning</li> <li>• 5 – notification</li> <li>• 6 – informational</li> <li>• 7 – debugging</li> </ul> <p>The default outgoing facility is local7.</p> <p>The <b>no</b> option removes the logging server for the specified host.</p> <p>The first example forwards all messages on facility local 7. The second example forwards messages with severity level 5 or lower for VRF red.</p>
<b>Step 3</b>	<b>logging source-interface</b> <i>interface</i> <b>Example:</b> <pre>switch(config)# logging source-interface loopback 5</pre>	Sets the source interface whose IP address is displayed in the log messages. This static configuration ensures that same IP address appears in all log messages that are sent from an individual Cisco NX-OS device.
<b>Step 4</b>	(Optional) <b>show logging server</b> <b>Example:</b> <pre>switch(config)# show logging server</pre>	Displays the syslog server configuration. <b>Note</b> The output of this command will display the syslog server configuration details along with a message stating "This server is temporarily unreachable." Please ignore this message.
<b>Step 5</b>	(Optional) <b>copy running-config startup-config</b> <b>Example:</b> <pre>switch(config)# copy running-config startup-config</pre>	Copies the running configuration to the startup configuration.

## Configuring Destination Port for Forwarding Syslogs

You can specify the destination port to be used while forwarding the system messages to the remote server where they will be logged.



### Note

You will need to change the remote server syslog configuration file to listen to the specified user-defined port. By default, system messages are sent as a UDP payload over port number 514 to the remote server for logging.

## Procedure

	Command or Action	Purpose
<b>Step 1</b>	<b>configure terminal</b> <b>Example:</b> <pre>switch# configure terminal switch(config)#</pre>	Enters global configuration mode.
<b>Step 2</b>	<b>[no] logging server <i>host</i> [<i>severity-level</i> [<i>use-vrf</i> <i>vrf-name</i>]]</b> <b>Example:</b> <pre>switch(config)# logging server 192.0.2.253 port 600</pre> <b>Example:</b> <pre>switch(config)# logging server 192.0.2.253 5 port 600</pre>	<p>Specifies the destination port on which the syslogs are forwarded to remote server. The port numbers range from 1 to 65535.</p> <p>The default destination port number is 514.</p> <p><b>Note</b> To remove the custom destination port or to reset it to its default value, use the <b>logging server</b> command without specifying any port number. Optionally, you can specify the port number as 514.</p> <p>The first example forwards all messages on user-defined port number 600. The second example forwards messages with severity level 5 or lower on user-defined port number 600.</p>
<b>Step 3</b>	<b>(Optional) show logging server</b> <b>Example:</b> <pre>switch(config)# show logging server</pre>	Displays the syslog server configuration.
<b>Step 4</b>	<b>(Optional) copy running-config startup-config</b> <b>Example:</b> <pre>switch(config)# copy running-config startup-config</pre>	Copies the running configuration to the startup configuration.

## Configuring Syslog Servers on a UNIX or Linux System

You can configure a syslog server on a UNIX or Linux system by adding the following line to the `/etc/syslog.conf` file:

```
facility.level <five tab characters> action
```

The following table describes the syslog fields that you can configure.

Table 12: Syslog fields in syslog.conf

Field	Description
Facility	Creator of the message, which can be auth, authpriv, cron, daemon, kern, lpr, mail, mark, news, syslog, user, local0 through local7, or an asterisk (*) for all. These facility designators allow you to control the destination of messages based on their origin.  <b>Note</b> Check your configuration before using a local facility.
Level	Minimum severity level at which messages are logged, which can be debug, info, notice, warning, err, crit, alert, emerg, or an asterisk (*) for all. You can use none to disable a facility.
Action	Destination for messages, which can be a filename, a hostname preceded by the at sign (@), a comma-separated list of users, or an asterisk (*) for all logged-in users.

### Procedure

**Step 1** Log debug messages with the local7 facility in the file /var/log/myfile.log by adding the following line to the /etc/syslog.conf file:

**Example:**

```
debug.local7 var/log/myfile.log
```

**Step 2** Create the log file by entering these commands at the shell prompt:

**Example:**

```
$ touch /var/log/myfile.log
$ chmod 666 /var/log/myfile.log
```

**Step 3** Make sure the system message logging daemon reads the new changes by checking myfile.log after entering this command:

**Example:**

```
$ kill -HUP ~cat /etc/syslog.pid~
```

## Displaying and Clearing Log Files

You can display or clear messages in the log file and the NVRAM.

## Procedure

	Command or Action	Purpose
<b>Step 1</b>	Required: <b>show logging last</b> <i>number-lines</i>  <b>Example:</b> switch# show logging last 40	Displays the last number of lines in the logging file. You can specify from 1 to 9999 for the last number of lines.
<b>Step 2</b>	<b>show logging logfile</b> [ <b>start-time</b> <i>yyyy mmm dd hh:mm:ss</i> ] [ <b>end-time</b> <i>yyyy mmm dd hh:mm:ss</i> ]  <b>Example:</b> switch# show logging logfile start-time 2013 oct 1 15:10:0	Displays the messages in the log file that have a timestamp within the span entered. If you do not enter an end time, the current time is used. You enter three characters for the month time field and digits for the year and day time fields.
<b>Step 3</b>	<b>show logging nvram</b> [ <b>last</b> <i>number-lines</i> ]  <b>Example:</b> switch# show logging nvram last 10	Displays the messages in the NVRAM. To limit the number of lines displayed, you can enter the last number of lines to display. You can specify from 1 to 100 for the last number of lines.
<b>Step 4</b>	<b>clear logging logfile</b>  <b>Example:</b> switch# clear logging logfile	Clears the contents of the log file.
<b>Step 5</b>	<b>clear logging nvram</b>  <b>Example:</b> switch# clear logging nvram	Clears the logged messages in NVRAM.

## Verifying the System Message Logging Configuration

To display system message logging configuration information, perform one of the following tasks:

Command	Purpose
<b>show logging console</b>	Displays the console logging configuration.
<b>show logging info</b>	Displays the logging configuration.
<b>show logging last</b> <i>number-lines</i>	Displays the last number of lines of the log file.
<b>show logging level</b> [ <i>facility</i> ]	Displays the facility logging severity level configuration.
<b>show logging logfile</b> [ <b>start-time</b> <i>yyyy mmm dd hh:mm:ss</i> ] [ <b>end-time</b> <i>yyyy mmm dd hh:mm:ss</i> ]	Displays the messages in the log file.
<b>show logging module</b>	Displays the module logging configuration.
<b>show logging monitor</b>	Displays the monitor logging configuration.
<b>show logging nvram</b> [ <b>last</b> <i>number-lines</i> ]	Displays the messages in the NVRAM log.
<b>show logging server</b>	Displays the syslog server configuration.

Command	Purpose
<code>show logging timestamp</code>	Displays the logging time-stamp units configuration.

## Configuration Example for System Message Logging

This example shows how to configure system message logging:

```
configure terminal
logging console 3
logging monitor 3
logging logfile my_log 6
logging module 3
logging level aaa 2
logging timestamp milliseconds
logging server 172.28.254.253
logging server 172.28.254.254 5 facility local3
copy running-config startup-config
```

## Additional References

### Related Documents

Related Topic	Document Title
System messages CLI commands	<i>Cisco Nexus 7000 Series NX-OS System Management Command Reference</i>
System messages	<i>Cisco NX-OS System Messages Reference</i>

## Feature History for System Message Logging

The table below summarizes the new and changed features for this document and shows the releases in which each feature is supported. Your software release might not support all the features in this document. For the latest caveats and feature information, see the Bug Search Tool at <https://tools.cisco.com/bugsearch/> and the release notes for your software release.

**Table 13: Feature History for System Message Logging**

Feature Name	Releases	Feature Information
System message logging	7.2(0)D1(1)	This feature was introduced.
System message logging	5.2(1)	Added the ability to add the description for physical Ethernet interfaces and subinterfaces in the system message log.

Syslog servers	5.1(1)	Increased the number of supported syslog servers from three to eight.
IPv6 support	4.2(1)	Added support for IPv6 syslog hosts..
System message logging	4.0(1)	This feature was introduced.







## CHAPTER 8

# Configuring Smart Call Home

This chapter describes how to configure the Smart Call Home feature of the Cisco NX-OS devices.

This chapter contains the following sections:

- [Finding Feature Information, on page 107](#)
- [About Smart Call Home, on page 107](#)
- [Licensing Requirements for Smart Call Home, on page 114](#)
- [Prerequisites for Smart Call Home, on page 114](#)
- [Guidelines and Limitations for Smart Call Home, on page 114](#)
- [Default Settings for Smart Call Home, on page 115](#)
- [Configuring Smart Call Home, on page 116](#)
- [Verifying the Smart Call Home Configuration, on page 129](#)
- [Configuration Examples for Smart Call Home, on page 130](#)
- [Additional References, on page 131](#)
- [Feature History for Smart Call Home, on page 144](#)

## Finding Feature Information

Your software release might not support all the features documented in this module. For the latest caveats and feature information, see the Bug Search Tool at <https://tools.cisco.com/bugsearch/> and the release notes for your software release. To find information about the features documented in this module, and to see a list of the releases in which each feature is supported, see the "New and Changed Information" chapter or the Feature History table in this chapter.

## About Smart Call Home

Smart Call Home provides an email-based notification for critical system policies. A range of message formats are available for compatibility with pager services, standard email, or XML-based automated parsing applications. You can use this feature to page a network support engineer, email a Network Operations Center, or use Cisco Smart Call Home services to automatically generate a case with the Technical Assistance Center.

Smart Call Home offers the following features:

- Automatic execution and attachment of relevant CLI command output.
- Multiple message format options such as the following:

- Short Text—Suitable for pagers or printed reports.
- Full Text—Fully formatted message information suitable for human reading.
- XML—Machine-readable format that uses Extensible Markup Language (XML) and Adaptive Messaging Language (AML) XML schema definition (XSD). The AML XSD is published on the Cisco.com website. The XML format enables communication with the Technical Assistance Center.
- Multiple concurrent message destinations. You can configure up to 50 email destination addresses for each destination profile.

## Destination Profiles

A destination profile includes the following information:

- One or more alert groups—The group of alerts that trigger a specific Smart Call Home message if the alert occurs.
- One or more email destinations—The list of recipients for the Smart Call Home messages generated by alert groups assigned to this destination profile.
- Message format—The format for the Smart Call Home message (short text, full text, or XML).
- Message severity level—The Smart Call Home severity level that the alert must meet before Cisco NX-OS generates a Smart Call Home message to all email addresses in the destination profile. Cisco NX-OS does not generate an alert if the Smart Call Home severity level of the alert is lower than the message severity level set for the destination profile.

You can also configure a destination profile to allow periodic inventory update messages by using the inventory alert group that will send out periodic messages daily, weekly, or monthly.

Cisco NX-OS supports the following predefined destination profiles:

- CiscoTAC-1—Supports the Cisco-TAC alert group in XML message format. This profile is preconfigured with the `callhome@cisco.com` email contact, maximum message size, and message severity level 0. You cannot change any of the default information for this profile.
- full-text-destination—Supports the full text message format.
- short-text-destination—Supports the short text message format.

## Smart Call Home Alert Groups

An alert group is a predefined subset of Smart Call Home alerts that are supported in all Cisco Nexus devices. Alert groups allow you to select the set of Smart Call Home alerts that you want to send to a predefined or custom destination profile. The device sends Smart Call Home alerts to email destinations in a destination profile only if that Smart Call Home alert belongs to one of the alert groups associated with that destination profile and if the alert has a Smart Call Home message severity at or above the message severity set in the destination profile.

The following table lists the supported alert groups and the default CLI command output included in Smart Call Home messages generated for the alert group.

<b>Alert Group</b>	<b>Description</b>	<b>Executed Commands</b>
Cisco-TAC	All critical alerts from the other alert groups destined for Smart Call Home.	Execute commands based on the alert group that originates the alert.
Configuration	Periodic events related to configuration.	<b>show module</b> <b>show version</b>
Diagnostic	Events generated by diagnostics.	<b>show diagnostic result module all detail</b> <b>show diagnostic result module <i>number</i> detail</b> <b>show hardware</b> <b>show logging last 200</b> <b>show module</b> <b>show sprom all</b> <b>show tech-support gold</b> <b>show tech-support ha</b> <b>show tech-support platform</b> <b>show version</b>
EEM	Events generated by EEM.	<b>show diagnostic result module all detail</b> <b>show diagnostic result module <i>number</i> detail</b> <b>show module</b> <b>show tech-support gold</b> <b>show tech-support ha</b> <b>show tech-support platform</b>
Environmental	Events related to power, fan, and environment-sensing elements such as temperature alarms.	<b>show environment</b> <b>show logging last 200</b> <b>show module</b> <b>show version</b>

Alert Group	Description	Executed Commands
Inventory	Inventory status that is provided whenever a unit is cold booted or when FRUs are inserted or removed. This alert is considered a noncritical event, and the information is used for status and entitlement.	<b>show inventory</b> <b>show license usage</b> <b>show module</b> <b>show sprom all</b> <b>show system uptime</b> <b>show version</b>
License	Events related to licensing and license violations.	<b>show logging last 200</b>
Linecard hardware	Events related to standard or intelligent switching modules.	<b>show diagnostic result module all detail</b> <b>show diagnostic result module <i>number</i> detail</b> <b>show hardware</b> <b>show logging last 200</b> <b>show module</b> <b>show sprom all</b> <b>show tech-support ethpm</b> <b>show tech-support gold</b> <b>show tech-support ha</b> <b>show tech-support platform</b> <b>show version</b>
Supervisor hardware	Events related to supervisor modules.	<b>show diagnostic result module all detail</b> <b>show hardware</b> <b>show logging last 200</b> <b>show module</b> <b>show sprom all</b> <b>show tech-support ethpm</b> <b>show tech-support gold</b> <b>show tech-support ha</b> <b>show tech-support platform</b> <b>show version</b>

Alert Group	Description	Executed Commands
Syslog port group	Events generated by the syslog PORT facility.	<b>show license usage</b> <b>show logging last 200</b>
System	Events generated by failure of a software system that is critical to unit operation.	<b>show diagnostic result module all detail</b> <b>show hardware</b> <b>show logging last 200</b> <b>show module</b> <b>show sprom all</b> <b>show tech-support ethpm</b> <b>show tech-support gold</b> <b>show tech-support ha</b> <b>show tech-support platform</b>
Test	User-generated test message.	<b>show module</b> <b>show version</b>

Smart Call Home maps the syslog severity level to the corresponding Smart Call Home severity level for syslog port group messages.

You can customize predefined alert groups to execute additional CLI **show** commands when specific events occur and send that **show** output with the Smart Call Home message.

You can add **show** commands only to full text and XML destination profiles. Short text destination profiles do not support additional **show** commands because they only allow 128 bytes of text.

## Smart Call Home Message Levels

Smart Call Home allows you to filter messages based on their level of urgency. You can associate each predefined or user-defined destination profile with a Smart Call Home threshold from 0 (least urgent) to 9 (most urgent). The default is 0 (all messages are sent).

Syslog severity levels are mapped to the Smart Call Home message level.



**Note** Smart Call Home does not change the syslog message level in the message text.

The following table lists each Smart Call Home message level keyword and the corresponding syslog level for the syslog port alert group.

Table 14: Severity and Syslog Level Mapping

Smart Call Home Level	Keyword	Syslog Level	Description
9	Catastrophic	N/A	Network-wide catastrophic failure.
8	Disaster	N/A	Significant network impact.
7	Fatal	Emergency (0)	System is unusable.
6	Critical	Alert (1)	Critical conditions that indicate that immediate attention is needed.
5	Major	Critical (2)	Major conditions.
4	Minor	Error (3)	Minor conditions.
3	Warning	Warning (4)	Warning conditions.
2	Notification	Notice (5)	Basic notification and informational messages. Possibly independently insignificant.
1	Normal	Information (6)	Normal event signifying return to normal state.
0	Debugging	Debug (7)	Debugging messages.

## Obtaining Smart Call Home

If you have a service contract directly with Cisco, you can register for the Smart Call Home service. Smart Call Home analyzes Smart Call Home messages and provides background information and recommendations. For known issues, particularly online diagnostics failures, Automatic Service Requests are generated with the Cisco TAC.

Smart Call Home offers the following features:

- Continuous device health monitoring and real-time diagnostic alerts.
- Analysis of Smart Call Home messages and, if needed, Automatic Service Request generation, routed to the correct TAC team, including detailed diagnostic information to speed problem resolution.
- Secure message transport directly from your device, through an HTTP proxy server, or a downloadable Transport Gateway (TG). You can use a TG aggregation point to support multiple devices or in cases where security dictates that your devices may not be connected directly to the Internet.
- Web-based access to Smart Call Home messages and recommendations, inventory, and configuration information for all Smart Call Home devices. This feature provides access to associated field notices, security advisories, and end-of-life information.

You need the following information to register:

- The SMARTnet contract number for your device
- Your email address

- Your Cisco.com ID

For more information about Smart Call Home, see the following Smart Call Home page:  
[https://supportforums.cisco.com/community/netpro/solutions/smart\\_services/smartcallhome](https://supportforums.cisco.com/community/netpro/solutions/smart_services/smartcallhome)

## Distributing Smart Call Home Using CFS

You can use Cisco Fabric Services (CFS) to distribute a Smart Call Home configuration to all CFS-enabled devices in the network. The entire Smart Call Home configuration is distributed except the device priority and the sysContact names.

For more information about CFS, see the “Configuring CFS” section.

## Database Merge Guidelines

When you merge two Smart Call Home databases, the following guidelines apply:

- The merged database contains the following information:
  - A superset of all the destination profiles from the merging devices.
  - The destination profile email addresses and alert groups.
  - Other configuration information (for example, message throttling, or periodic inventory) present in the managing device.
- Destination profile names cannot be duplicated within the merging devices—even though the configurations are different, the names cannot be duplicated. If a profile name is duplicated, one of the duplicate profiles must first be deleted or the merger fails.

## High Availability

Both stateful and stateless restarts are supported for Smart Call Home.

## Virtualization Support

One instance of Smart Call Home is supported per virtual device context (VDC). Smart Call Home uses the contact information from the first registered VDC as the administrator contact for all VDCs on the physical device. For example, if you want the Smart Call Home to use the contact information from the default VDC, you should register using that VDC. You can update this information at the Smart Call Home web site at the following URL:

<http://www.cisco.com/go/smartcall/>

Smart Call Home registers the contacts for all other VDCs as users that can see all the Smart Call Home data for the physical device but cannot act as administrators. All registered users and the registered administrator receive all Smart Call Home notifications from all VDCs on the physical device.

By default, you are placed in the default VDC. In the default VDC, you can test Smart Call Home using the **callhome send** and **callhome test** commands. In a nondefault VDC, only the **callhome test** command is available. For more information on VDCs, see the Cisco Nexus 7000 Series NX-OS Virtual Device Context Configuration Guide.

Smart Call Home is virtual routing and forwarding (VRF) aware. You can configure Smart Call Home to use a particular VRF to reach the Smart Call Home SMTP server.

## Licensing Requirements for Smart Call Home

Product	License Requirement
Cisco NX-OS	Smart Call Home requires no license. Any feature not included in a license package is bundled with the nx-os image and is provided at no extra charge to you. For a complete explanation of the Cisco NX-OS licensing scheme, see the <i>Cisco NX-OS Licensing Guide</i> .

## Prerequisites for Smart Call Home

Smart Call Home has the following prerequisites:

- To send messages to an email address, you must first configure an email server. To send messages using HTTP, you must have access to an HTTPS server and have a valid certificate installed on the Cisco Nexus device.
- Your device must have IP connectivity to an email server or HTTPS server.
- You must first configure the contact name (SNMP server contact), phone, and street address information. This step is required to determine the origin of messages received.
- If you use Smart Call Home, you need an active service contract for the device that you are configuring.
- If you configure VDCs, install the appropriate license. See the *Cisco Nexus 7000 Series NX-OS Virtual Device Context Configuration Guide* for configuration information and the *Cisco NX-OS Licensing Guide* for licensing information.

## Guidelines and Limitations for Smart Call Home

Smart Call Home has the following configuration guidelines and limitations:

- If there is no IP connectivity or if the interface in the virtual routing and forwarding (VRF) instance to the profile destination is down, the device cannot send Smart Call Home messages.
- Smart Call Home operates with any SMTP server.
- You can configure up to five SMTP servers for Smart Call Home.
- If you distribute the Smart Call Home configuration using CFS, then the entire Smart Call Home configuration is distributed except device priority and the sysContact names.
- Currently CoPP does not protect packets for Smart Call Home using HTTP/HTTPS or SMTP method when connectivity is required inband. Return traffic for these services is subject to class-default CoPP class and leads to little to no connectivity.



- A system configured for Smart Call Home (SCH) feature where connectivity may fail during reporting if an explicit class for either the HTTPS method or the SMTP method is not defined in control-plane policing and there is continual violations in the CoPP class-default class. This issue is only seen when the configured destination from SCH is known inband.
- A syslog should be printed if inband is used for SCH where non-standard destination ports are used warning the user to add these ports. Consideration should also be made with a syslog warning when using either a HTTP or HTTPS proxy server on a non-administrative port to allow reachability to Cisco's web servers.
- In a mixed fabric environment with CFS enabled, Cisco devices running Cisco NX-OS Release 5.x can distribute 5.x configurations (multiple SMTP server support, HTTP VRF support, and HTTP proxy support) to other 5.x devices in the fabric over CFS. However, if an existing device upgrades to 5.x, these new configurations are not distributed to that device because a CFS merge is not triggered upon an upgrade. Therefore, we recommend applying the new configurations only when all the devices in the fabric support them or performing an empty commit from an existing 5.x device (not the newly upgraded device) that has the new configurations.

## Default Settings for Smart Call Home

This table lists the default settings for Smart Call Home parameters.

**Table 15: Default Smart Call Home Parameters**

Parameters	Default
Destination message size for a message sent in full text format	2,500,000
Destination message size for a message sent in XML format	2,500,000
Destination message size for a message sent in short text format	4000
SMTP server port number if no port is specified	25
SMTP server priority if no priority is specified	50
Alert group association with profile	All for full-text-destination and short-text-destination profiles. The cisco-tac alert group for the CiscoTAC-1 destination profile.
Format type	XML
Smart Call Home message level	0 (zero)
HTTP proxy server use	Disabled and no proxy server configured

# Configuring Smart Call Home



**Note** Be aware that the Cisco NX-OS commands may differ from the Cisco IOS commands.

We recommend that you complete the Smart Call Home configuration procedures in the following sequence:

1. [Configuring Contact Information, on page 116](#)
2. [Creating a Destination Profile, on page 118](#)
3. [Associating an Alert Group with a Destination Profile, on page 121](#)
4. (Optional) [Adding Show Commands to an Alert Group, on page 122](#)
5. [Enabling or Disabling Smart Call Home, on page 128](#)
6. (Optional) [Testing the Smart Call Home Configuration, on page 129](#)

## Configuring Contact Information

You must configure the email, phone, and street address information for Smart Call Home. You can optionally configure the contract ID, customer ID, site ID, and switch priority information.

### Procedure

	Command or Action	Purpose
<b>Step 1</b>	<b>configure terminal</b> <b>Example:</b> <pre>switch# configure terminal switch(config)#</pre>	Enters global configuration mode.
<b>Step 2</b>	<b>snmp-server contact <i>sys-contact</i></b> <b>Example:</b> <pre>switch(config)# snmp-server contact personname@companyname.com</pre>	Configures the SNMP sysContact.
<b>Step 3</b>	<b>callhome</b> <b>Example:</b> <pre>switch(config)# callhome switch(config-callhome)#</pre>	Enters Smart Call Home configuration mode.
<b>Step 4</b>	<b>email-contact <i>email-address</i></b> <b>Example:</b> <pre>switch(config-callhome)# email-contact admin@Mycompany.com</pre>	Configures the email address for the person primarily responsible for the device.  The <i>email-address</i> can be up to 255 alphanumeric characters in email address format.  <b>Note</b> You can use any valid email address. The address cannot contain spaces.

	Command or Action	Purpose
<b>Step 5</b>	<b>phone-contact</b> <i>international-phone-number</i> <b>Example:</b> <pre>switch(config-callhome)# phone-contact +1-800-123-4567</pre>	Configures the phone number in international phone number format for the person primarily responsible for the device. The <i>international-phone-number</i> can be up to 17 alphanumeric characters and must be in international phone number format.  <b>Note</b> The phone number cannot contain spaces. Use the plus (+) prefix before the number.
<b>Step 6</b>	<b>streetaddress</b> <i>address</i> <b>Example:</b> <pre>switch(config-callhome)# streetaddress 123 Anystreet st. Anytown,AnyWhere</pre>	Configures the street address as an alphanumeric string with white spaces for the person primarily responsible for the device.  The <i>address</i> can be up to 255 alphanumeric characters. Spaces are accepted.
<b>Step 7</b>	(Optional) <b>contract-id</b> <i>contract-number</i> <b>Example:</b> <pre>switch(config-callhome)# contract-id Contract5678</pre>	Configures the contract number for this device from the service agreement.  The <i>contract-number</i> can be up to 255 alphanumeric characters in free format.
<b>Step 8</b>	(Optional) <b>customer-id</b> <i>customer-number</i> <b>Example:</b> <pre>switch(config-callhome)# customer-id Customer123456</pre>	Configures the customer number for this device from the service agreement.  The <i>customer-number</i> can be up to 255 alphanumeric characters in free format.
<b>Step 9</b>	(Optional) <b>site-id</b> <i>site-number</i> <b>Example:</b> <pre>switch(config-callhome)# site-id Site1</pre>	Configures the site number for this device.  The <i>site-number</i> can be up to 255 alphanumeric characters in free format.
<b>Step 10</b>	(Optional) <b>switch-priority</b> <i>number</i> <b>Example:</b> <pre>switch(config-callhome)# switch-priority 3</pre>	Configures the switch priority for this device.  The range is from 0 to 7, with 0 being the highest priority and 7 the lowest. The default is 7.  <b>Note</b> Switch priority is used by the operations personnel or TAC support personnel to decide which Call Home message should be responded to first. You can prioritize Call Home alerts of the same severity from each switch.
<b>Step 11</b>	<b>commit</b> <b>Example:</b> <pre>switch(config-callhome)# commit</pre>	Commits the Smart Call Home configuration commands.

	Command or Action	Purpose
<b>Step 12</b>	(Optional) <b>show callhome</b> <b>Example:</b> switch(config-callhome)# show callhome	Displays a summary of the Smart Call Home configuration.
<b>Step 13</b>	(Optional) <b>copy running-config startup-config</b> <b>Example:</b> switch(config)# copy running-config startup-config	Copies the running configuration to the startup configuration.

**What to do next**

Create a destination profile.

## Creating a Destination Profile

You can create a user-defined destination profile and configure its message format.

**Procedure**

	Command or Action	Purpose
<b>Step 1</b>	<b>configure terminal</b> <b>Example:</b> switch# configure terminal switch(config)#	Enters global configuration mode.
<b>Step 2</b>	<b>callhome</b> <b>Example:</b> switch(config)# callhome switch(config-callhome)#	Enters Smart Call Home configuration mode.
<b>Step 3</b>	<b>destination-profile <i>name</i></b> <b>Example:</b> switch(config-callhome)# destination-profile Noc101	Creates a new destination profile. The name can be any alphanumeric string up to 31 characters.
<b>Step 4</b>	<b>destination-profile <i>name</i> format {XML   full-txt   short-txt}</b> <b>Example:</b> switch(config-callhome)# destination-profile Noc101 format full-txt	Sets the message format for the profile. The name can be any alphanumeric string up to 31 characters.
<b>Step 5</b>	<b>commit</b> <b>Example:</b> switch(config-callhome)# commit	Commits the Smart Call Home configuration commands.

	Command or Action	Purpose
<b>Step 6</b>	(Optional) <b>show callhome destination-profile</b> [profile name]  <b>Example:</b> <pre>switch(config-callhome)# show callhome destination-profile profile Noc101</pre>	Displays information about one or more destination profiles.
<b>Step 7</b>	(Optional) <b>copy running-config startup-config</b>  <b>Example:</b> <pre>switch(config)# copy running-config startup-config</pre>	Copies the running configuration to the startup configuration.

**What to do next**

Associate one or more alert groups with a destination profile.

## Modifying a Destination Profile

You can modify the following attributes for a predefined or user-defined destination profile:

- Destination email address—The actual address, pertinent to the transport mechanism, to which the alert should be sent.
- Destination URL—The HTTP or HTTPS URL that defines where alerts should be sent.
- Transport method—The email or HTTP transport that determines which type of destination addresses are used.
- Message formatting—The message format used for sending the alert (full text, short text, or XML).
- Message level—The Smart Call Home message severity level for this destination profile.
- Message size—The allowed length of a Smart Call Home message sent to the email addresses in this destination profile.

**Procedure**

	Command or Action	Purpose
<b>Step 1</b>	<b>configure terminal</b>  <b>Example:</b> <pre>switch# configure terminal switch(config)#</pre>	Enters global configuration mode.
<b>Step 2</b>	<b>callhome</b>  <b>Example:</b> <pre>switch(config)# callhome switch(config-callhome)#</pre>	Enters Smart Call Home configuration mode.

	Command or Action	Purpose
<b>Step 3</b>	<b>destination-profile</b> <i>{name   CiscoTAC-1   full-txt-destination   short-txt-destination}</i> <b>email-addr</b> <i>address</i>  <b>Example:</b> <pre>switch(config-callhome)# destination-profile full-txt-destination email-addr person@place.com</pre>	Configures an email address for a user-defined or predefined destination profile. You can configure up to 50 email addresses in a destination profile.
<b>Step 4</b>	<b>destination-profile</b> <i>{name   CiscoTAC-1   full-txt-destination   short-txt-destination}</i> <b>http</b> <i>address</i>  <b>Example:</b> <pre>switch(config-callhome)# destination-profile CiscoTAC-1 http http://site.com/service/callhome</pre>	Configures an HTTP or HTTPS URL for a user-defined or predefined destination profile. The URL can be up to 255 characters.
<b>Step 5</b>	<b>destination-profile</b> <i>{name   CiscoTAC-1   full-txt-destination   short-txt-destination}</i> <b>transport-method</b> <i>{email   http}</i>  <b>Example:</b> <pre>switch(config-callhome)# destination-profile CiscoTAC-1 transport-method http</pre>	Configures an email or HTTP transport method for a user-defined or predefined destination profile. The type of transport method that you choose determines the configured destination addresses of that type.
<b>Step 6</b>	<b>destination-profile</b> <i>{name   CiscoTAC-1   full-txt-destination   short-txt-destination}</i> <b>message-level</b> <i>number</i>  <b>Example:</b> <pre>switch(config-callhome)# destination-profile full-txt-destination message-level 5</pre>	Configures the Smart Call Home message severity level for this destination profile. Cisco NX-OS sends only alerts that have a matching or higher Smart Call Home severity level to destinations in this profile. The range is from 0 to 9, where 9 is the highest severity level.
<b>Step 7</b>	<b>destination-profile</b> <i>{name   CiscoTAC-1   full-txt-destination   short-txt-destination}</i> <b>message-size</b> <i>number</i>  <b>Example:</b> <pre>switch(config-callhome)# destination-profile full-txt-destination message-size 100000</pre>	Configures the maximum message size for this destination profile. The range is from 0 to 5000000. The default is 2500000.
<b>Step 8</b>	<b>commit</b>  <b>Example:</b> <pre>switch(config-callhome)# commit</pre>	Commits the Smart Call Home configuration commands.
<b>Step 9</b>	(Optional) <b>show callhome destination-profile</b> [ <b>profile name</b> ]  <b>Example:</b>	Displays information about one or more destination profiles.

	Command or Action	Purpose
	<pre>switch(config-callhome)# show callhome destination-profile profile full-text-destination</pre>	
<b>Step 10</b>	<p>(Optional) <b>copy running-config startup-config</b></p> <p><b>Example:</b></p> <pre>switch(config)# copy running-config startup-config</pre>	Copies the running configuration to the startup configuration.

**What to do next**

Associate one or more alert groups with a destination profile.

## Associating an Alert Group with a Destination Profile

**Procedure**

	Command or Action	Purpose
<b>Step 1</b>	<p><b>configure terminal</b></p> <p><b>Example:</b></p> <pre>switch# configure terminal switch(config)#</pre>	Enters global configuration mode.
<b>Step 2</b>	<p><b>callhome</b></p> <p><b>Example:</b></p> <pre>switch(config)# callhome switch(config-callhome)#</pre>	Enters Smart Call Home configuration mode.
<b>Step 3</b>	<p><b>destination-profile {name   CiscoTAC-1   full-txt-destination   short-txt-destination} alert-group {All   Cisco-TAC   Configuration   Diagnostic   EEM   Environmental   Inventory   License   Supervisor-Hardware   Syslog-group-port   System   Test}</b></p> <p><b>Example:</b></p> <pre>switch(config-callhome)# destination-profile Noc101 alert-group All</pre>	Associates an alert group with this destination profile. Use the <b>All</b> keyword to associate all alert groups with the destination profile.
<b>Step 4</b>	<p><b>commit</b></p> <p><b>Example:</b></p> <pre>switch(config-callhome)# commit</pre>	Commits the Smart Call Home configuration commands.
<b>Step 5</b>	<p>(Optional) <b>show callhome destination-profile [profile name]</b></p> <p><b>Example:</b></p>	Displays information about one or more destination profiles.

	Command or Action	Purpose
	switch(config-callhome)# show callhome destination-profile profile Noc101	
<b>Step 6</b>	(Optional) <b>copy running-config startup-config</b>  <b>Example:</b> switch(config)# copy running-config startup-config	Copies the running configuration to the startup configuration.

**What to do next**

Optionally add **show** commands to an alert group and then configure the SMTP email server.

## Adding Show Commands to an Alert Group

You can assign a maximum of five user-defined CLI **show** commands to an alert group.



**Note** You cannot add user-defined CLI **show** commands to the CiscoTAC-1 destination profile.

**Procedure**

	Command or Action	Purpose
<b>Step 1</b>	<b>configure terminal</b>  <b>Example:</b> switch# configure terminal switch(config)#	Enters global configuration mode.
<b>Step 2</b>	<b>callhome</b>  <b>Example:</b> switch(config)# callhome switch(config-callhome)#	Enters Smart Call Home configuration mode.
<b>Step 3</b>	<b>alert-group {Configuration   Diagnostic   EEM   Environmental   Inventory   License   Supervisor-Hardware   Syslog-group-port   System   Test} user-def-cmd show-cmd</b>  <b>Example:</b> switch(config-callhome)# alert-group Configuration user-def-cmd show ip route	Adds the <b>show</b> command output to any Smart Call Home messages sent for this alert group. Only valid <b>show</b> commands are accepted.
<b>Step 4</b>	<b>commit</b>  <b>Example:</b> switch(config-callhome)# commit	Commits the Smart Call Home configuration commands.



	Command or Action	Purpose
<b>Step 5</b>	(Optional) <b>show callhome user-def-cmds</b>  <b>Example:</b> <pre>switch(config-callhome)# show callhome user-def-cmds</pre>	Displays information about all user-defined <b>show</b> commands added to alert groups.
<b>Step 6</b>	(Optional) <b>copy running-config startup-config</b>  <b>Example:</b> <pre>switch(config)# copy running-config startup-config</pre>	Copies the running configuration to the startup configuration.

**What to do next**

Configure Smart Call Home to connect to the SMTP email server.

## Configuring the Email Server

You must configure the SMTP server address for the Smart Call Home functionality to work. You can also configure the from and reply-to email addresses.

You can configure up to five SMTP servers for Smart Call Home. The servers are tried based on their priority. The highest priority server is tried first. If the message fails to be sent, the next server in the list is tried until the limit is exhausted. If two servers have equal priority, the one that was configured earlier is tried first.

**Procedure**

	Command or Action	Purpose
<b>Step 1</b>	<b>configure terminal</b>  <b>Example:</b> <pre>switch# configure terminal switch(config)#</pre>	Enters global configuration mode.
<b>Step 2</b>	<b>callhome</b>  <b>Example:</b> <pre>switch(config)# callhome switch(config-callhome)#</pre>	Enters Smart Call Home configuration mode.
<b>Step 3</b>	<b>transport email mail-server ip-address [port number] [priority number] [use-vrf vrf-name]</b>  <b>Example:</b> <pre>switch(config-callhome)# transport email mail-server 192.0.2.1 use-vrf Red</pre>	Configures the SMTP server as the domain name server (DNS) name, IPv4 address, or IPv6 address. Optionally configures the port number. The port range is from 1 to 65535. The default port number is 25.  Also optionally configures the priority of the SMTP server. The priority range is from 1 to 100, with 1 being the highest priority and 100 the lowest. If you do not specify a priority, the default value of 50 is used.

	Command or Action	Purpose
		Also optionally configures the VRF to use when communicating with this SMTP server. The VRF specified is not used to send messages using HTTP.
<b>Step 4</b>	(Optional) <b>transport email from</b> <i>email-address</i> <b>Example:</b> switch(config-callhome)# transport email from person@company.com	Configures the email from field for Smart Call Home messages.
<b>Step 5</b>	(Optional) <b>transport email reply-to</b> <i>email-address</i> <b>Example:</b> switch(config-callhome)# transport email reply-to person@company.com	Configures the email reply-to field for Smart Call Home messages.
<b>Step 6</b>	<b>commit</b> <b>Example:</b> switch(config-callhome)# commit	Commits the Smart Call Home configuration commands.
<b>Step 7</b>	(Optional) <b>show callhome transport</b> <b>Example:</b> switch(config-callhome)# show callhome transport	Displays the transport-related configuration for Smart Call Home.
<b>Step 8</b>	(Optional) <b>copy running-config startup-config</b> <b>Example:</b> switch(config)# copy running-config startup-config	Copies the running configuration to the startup configuration.

**What to do next**

Optionally use VRFs to send Smart Call Home messages over HTTP.

## Configuring VRFs To Send Messages Using HTTP

You can use VRFs to send Smart Call Home messages over HTTP. If HTTP VRFs are not configured, the default VRF is used to transport messages over HTTP.

**Procedure**

	Command or Action	Purpose
<b>Step 1</b>	<b>configure terminal</b> <b>Example:</b> switch# configure terminal switch(config)#	Enters global configuration mode.

	Command or Action	Purpose
<b>Step 2</b>	<b>callhome</b> <b>Example:</b> switch(config)# callhome switch(config-callhome)#	Enters Smart Call Home configuration mode.
<b>Step 3</b>	<b>transport http use-vrf vrf-name</b> <b>Example:</b> switch(config-callhome)# transport http use-vrf Blue	Configures the VRF used to send email and other Smart Call Home messages over HTTP.
<b>Step 4</b>	<b>commit</b> <b>Example:</b> switch(config-callhome)# commit	Commits the Smart Call Home configuration commands.
<b>Step 5</b>	(Optional) <b>show callhome</b> <b>Example:</b> switch(config-callhome)# show callhome	Displays information about Smart Call Home.
<b>Step 6</b>	(Optional) <b>copy running-config startup-config</b> <b>Example:</b> switch(config)# copy running-config startup-config	Copies the running configuration to the startup configuration.

**What to do next**

Optionally configure Smart Call Home to send HTTP messages through an HTTP proxy server.

## Configuring an HTTP Proxy Server

**Procedure**

	Command or Action	Purpose
<b>Step 1</b>	<b>configure terminal</b> <b>Example:</b> switch# configure terminal switch(config)#	Enters global configuration mode.
<b>Step 2</b>	<b>callhome</b> <b>Example:</b> switch(config)# callhome switch(config-callhome)#	Enters Smart Call Home configuration mode.
<b>Step 3</b>	<b>transport http proxy server ip-address [port number]</b> <b>Example:</b>	Configures the HTTP proxy server domain name server (DNS) name, IPv4 address, or IPv6 address. Optionally configures the port number.

	Command or Action	Purpose
	<code>switch(config-callhome)# transport http proxy server 192.0.2.1</code>	The port range is from 1 to 65535. The default port number is 8080.
<b>Step 4</b>	<b>transport http proxy enable</b> <b>Example:</b> <code>switch(config-callhome)# transport http proxy enable</code>	Enables Smart Call Home to send all HTTP messages through the HTTP proxy server. <b>Note</b> You can execute this command only after the proxy server address has been configured. <b>Note</b> The VRF used for transporting messages through the proxy server is the same as that configured using the <b>transport http use-vrf</b> command.
<b>Step 5</b>	<b>commit</b> <b>Example:</b> <code>switch(config-callhome)# commit</code>	Commits the Smart Call Home configuration commands.
<b>Step 6</b>	(Optional) <b>show callhome transport</b> <b>Example:</b> <code>switch(config-callhome)# show callhome transport</code>	Displays the transport-related configuration for Smart Call Home.
<b>Step 7</b>	(Optional) <b>copy running-config startup-config</b> <b>Example:</b> <code>switch(config)# copy running-config startup-config</code>	Copies the running configuration to the startup configuration.

**What to do next**

Optionally configure your device to periodically send inventory notifications.

## Configuring Periodic Inventory Notifications

You can configure the device to periodically send a message with an inventory of all software services currently enabled and running on the device along with hardware inventory information. The device generates two Smart Call Home notifications: periodic configuration messages and periodic inventory messages.

**Procedure**

	Command or Action	Purpose
<b>Step 1</b>	<b>configure terminal</b> <b>Example:</b> <code>switch# configure terminal</code> <code>switch(config)#</code>	Enters global configuration mode.

	Command or Action	Purpose
<b>Step 2</b>	<b>callhome</b> <b>Example:</b> switch(config)# callhome switch(config-callhome)#	Enters Smart Call Home configuration mode.
<b>Step 3</b>	<b>periodic-inventory notification [interval <i>days</i>] [timeofday <i>time</i>]</b> <b>Example:</b> switch(config-callhome)# periodic-inventory notification interval 20	Configures periodic inventory messages. The interval range is from 1 to 30 days, and the default is 7 days. The <i>time</i> argument is in HH:MM format. It defines at what time of the day every <i>X</i> days an update is sent (where <i>X</i> is the update interval).
<b>Step 4</b>	<b>commit</b> <b>Example:</b> switch(config-callhome)# commit	Commits the Smart Call Home configuration commands.
<b>Step 5</b>	(Optional) <b>show callhome</b> <b>Example:</b> switch(config-callhome)# show callhome	Displays information about Smart Call Home.
<b>Step 6</b>	(Optional) <b>copy running-config startup-config</b> <b>Example:</b> switch(config)# copy running-config startup-config	Copies the running configuration to the startup configuration.

**What to do next**

Optionally disable duplicate message throttling.

## Disabling Duplicate Message Throttling

You can limit the number of duplicate messages received for the same event. By default, the device limits the number of duplicate messages received for the same event. If the number of duplicate messages sent exceeds 30 messages within a 2-hour time frame, the device discards further messages for that alert type.

**Procedure**

	Command or Action	Purpose
<b>Step 1</b>	<b>configure terminal</b> <b>Example:</b> switch# configure terminal switch(config)#	Enters global configuration mode.
<b>Step 2</b>	<b>callhome</b> <b>Example:</b>	Enters Smart Call Home configuration mode.

	Command or Action	Purpose
	<code>switch(config)# callhome</code> <code>switch(config-callhome)#</code>	
<b>Step 3</b>	<b>no duplicate-message throttle</b> <b>Example:</b> <code>switch(config-callhome)# no duplicate-message throttle</code>	Disables duplicate message throttling for Smart Call Home.  Duplicate message throttling is enabled by default.
<b>Step 4</b>	<b>commit</b> <b>Example:</b> <code>switch(config-callhome)# commit</code>	Commits the Smart Call Home configuration commands.
<b>Step 5</b>	(Optional) <b>copy running-config startup-config</b> <b>Example:</b> <code>switch(config)# copy running-config startup-config</code>	Copies the running configuration to the startup configuration.

**What to do next**

Enable Smart Call Home.

## Enabling or Disabling Smart Call Home

Once you have configured the contact information, you can enable the Smart Call Home function.

**Procedure**

	Command or Action	Purpose
<b>Step 1</b>	<b>configure terminal</b> <b>Example:</b> <code>switch# configure terminal</code> <code>switch(config)#</code>	Enters global configuration mode.
<b>Step 2</b>	<b>callhome</b> <b>Example:</b> <code>switch(config)# callhome</code> <code>switch(config-callhome)#</code>	Enters Smart Call Home configuration mode.
<b>Step 3</b>	<b>[no] enable</b> <b>Example:</b> <code>switch(config-callhome)# enable</code>	Enables or disables Smart Call Home.  Smart Call Home is disabled by default.
<b>Step 4</b>	<b>commit</b> <b>Example:</b> <code>switch(config-callhome)# commit</code>	Commits the Smart Call Home configuration commands.

	Command or Action	Purpose
<b>Step 5</b>	(Optional) <b>copy running-config startup-config</b>  <b>Example:</b> <pre>switch(config)# copy running-config startup-config</pre>	Copies the running configuration to the startup configuration.

**What to do next**

Optionally generate a test message.

## Testing the Smart Call Home Configuration

You can generate a test message to test your Smart Call Home communications.

**Procedure**

	Command or Action	Purpose
<b>Step 1</b>	<b>configure terminal</b>  <b>Example:</b> <pre>switch# configure terminal switch(config)#</pre>	Enters global configuration mode.
<b>Step 2</b>	<b>callhome</b>  <b>Example:</b> <pre>switch(config)# callhome switch(config-callhome)#</pre>	Enters Smart Call Home configuration mode.
<b>Step 3</b>	<b>callhome send [configuration   diagnostic]</b>  <b>Example:</b> <pre>switch(config-callhome)# callhome send diagnostic</pre>	Sends the specified Smart Call Home test message to all configured destinations.
<b>Step 4</b>	<b>callhome test</b>  <b>Example:</b> <pre>switch(config-callhome)# callhome test</pre>	Sends a test message to all configured destinations.
<b>Step 5</b>	(Optional) <b>copy running-config startup-config</b>  <b>Example:</b> <pre>switch(config)# copy running-config startup-config</pre>	Copies the running configuration to the startup configuration.

## Verifying the Smart Call Home Configuration

To display Smart Call Home configuration information, perform one of the following tasks:

Command	Purpose
<b>show callhome</b>	Displays the Smart Call Home configuration.
<b>show callhome destination-profile</b> <i>name</i>	Displays one or more Smart Call Home destination profiles.
<b>show callhome merge</b>	Displays the status of the last CFS merger for Smart Call Home.
<b>show callhome pending</b>	Displays the Smart Call Home configuration changes in the pending CFS database.
<b>show callhome pending-diff</b>	Displays the differences between the pending and running Smart Call Home configuration.
<b>show callhome session-status</b>	Displays the status of the last CFS commit or abort operation.
<b>show callhomestatus</b>	Displays the CFS distribution state (enabled or disabled) for Smart Call Home.
<b>show callhome transport</b>	Displays the transport-related configuration for Smart Call Home.
<b>show callhome user-def-cmds</b>	Displays CLI commands added to any alert groups.
<b>show running-config callhome</b> [ <i>all</i> ]	Displays the running configuration for Smart Call Home.
<b>show startup-config callhome</b>	Displays the startup configuration for Smart Call Home.
<b>show tech-support callhome</b>	Displays the technical support output for Smart Call Home.

## Configuration Examples for Smart Call Home

This example shows how to create a destination profile called Noc101, associate the Configuration alert group to that profile, configure contact and email information, and specify the VRF used to send Smart Call Home messages over HTTP:

```
configure terminal
snmp-server contact person@company.com
callhome
distribute
email-contact admin@Mycompany.com
phone-contact +1-800-123-4567
```



```
streetaddress 123 Anystreet st. Anytown,AnyWhere
destination-profile Noc101 format full-txt
destination-profile full-text-destination email-addr person@company.com
destination-profile full-text-destination message-level 5
destination-profile Noc101 alert-group Configuration
alert-group Configuration user-def-cmd show ip route
transport email mail-server 192.0.2.10 priority 1
transport http use-vrf Blue
enable
commit
```

This example shows how to configure multiple SMTP servers for Smart Call Home messages:

```
configure terminal
callhome
transport email mail-server 192.0.2.10 priority 4
transport email mail-server 172.21.34.193
transport email smtp-server 10.1.1.174
transport email mail-server 64.72.101.213 priority 60
transport email from person@company.com
transport email reply-to person@company.com
commit
```

Based on the configuration above, the SMTP servers would be tried in this order:

10.1.1.174 (priority 0)  
192.0.2.10 (priority 4)  
172.21.34.193 (priority 50, which is the default)  
64.72.101.213 (priority 60)



---

**Note** The **transport email smtp-server** command has a priority of 0, which is the highest. The server specified by this command is tried first followed by the servers specified by the **transport email mail-server** commands in order of priority.

---

This example shows how to configure Smart Call Home to send HTTP messages through an HTTP proxy server:

```
configure terminal
callhome
transport http proxy server 10.10.10.1 port 4
transport http proxy enable
commit
```

## Additional References

### Event Triggers

The following table lists the event triggers and their Smart Call Home message severity levels.

Alert Group	Event Name	Description	Smart Call Home Severity Level
Configuration	PERIODIC_CONFIGURATION	Periodic configuration update message.	2
Diagnostic	DIAGNOSTIC_MAJOR_ALERT	GOLD generated a major alert.	7
	DIAGNOSTIC_MINOR_ALERT	GOLD generated a minor alert.	4
	DIAGNOSTIC_NORMAL_ALERT	Smart Call Home generated a normal diagnostic alert.	2
Environmental and CISCO_TAC	FAN_FAILURE	Cooling fan has failed.	5
	POWER_SUPPLY_ALERT	Power supply warning has occurred.	6
	POWER_SUPPLY_FAILURE	Power supply has failed.	6
	POWER_SUPPLY_SHUTDOWN	Power supply has shut down.	6
	TEMPERATURE_ALARM	Thermal sensor going bad.	6
	TEMPERATURE_MAJOR_ALARM	Thermal sensor indicates temperature has reached operating major threshold.	6
	TEMPERATURE_MINOR_ALARM	Thermal sensor indicates temperature has reached operating minor threshold.	4
Inventory and CISCO_TAC	COLD_BOOT	Switch is powered up and reset to a cold boot sequence.	2
	HARDWARE_INSERTION	New piece of hardware has been inserted into the chassis.	2
	HARDWARE_REMOVAL	Hardware has been removed from the chassis.	2
	PERIODIC_INVENTORY	Periodic inventory message has been generated.	2
License	LICENSE_VIOLATION	Feature in use is not licensed and is turned off after grace period expiration.	6
Line module Hardware and CISCO_TAC	LINEmodule_FAILURE	Module operation has failed.	7
Supervisor Hardware and CISCO_TAC	SUP_FAILURE	Supervisor module operation has failed.	7

Alert Group	Event Name	Description	Smart Call Home Severity Level
Syslog-group-port	PORT_FAILURE	syslog message that corresponds to the port facility has been generated.	6
	SYSLOG_ALERT	syslog alert message has been generated.	5
System and CISCO_TAC	SW_CRASH	Software process has failed with a stateless restart, indicating an interruption of a service. Messages are sent for process crashes on supervisor modules.	5
	SW_SYSTEM_INCONSISTENT	Inconsistency has been detected in software or file system.	5
Test and CISCO_TAC	TEST	User generated test has occurred.	2

## Message Formats

Smart Call Home supports the following message formats:

### Short Text Message Format

The following table describes the short text formatting option for all message types.

Data Item	Description
Device identification	Configured device name
Date/time stamp	Time stamp of the triggering event
Error isolation message	Plain English description of triggering event
Alarm urgency level	Error level such as that applied to system message

### Common Event Message Fields

The following table describes the first set of common event message fields for full text or XML messages.

Data Item (Plain Text and XML)	Description (Plain Text and XML)	XML Tag (XML Only)
Timestamp	Date and time stamp of event in ISO time notation: YYYY-MM-DD HH:MM:SS GMT+HH:MM.	/aml/header/time
Message name	Name of message.	/aml/header/name

Data Item (Plain Text and XML)	Description (Plain Text and XML)	XML Tag (XML Only)
Message type	Name of message type, such as reactive or proactive.	/aml/header/type
Message group	Name of alert group, such as syslog.	/aml/header/group
Severity level	Severity level of message.	/aml/header/level
Source ID	Product type for routing, such as the Catalyst 6500 series switch.	/aml/header/source
Device ID	<p>Unique device identifier (UDI) for the end device that generated the message. This field should be empty if the message is nonspecific to a device. The format is <i>type@Sid@serial</i>.</p> <ul style="list-style-type: none"> <li>• <i>type</i> is the product model number from the backplane IDPROM.</li> <li>• <i>@</i> is a separator character.</li> <li>• <i>Sid</i> is C, identifying the serial ID as a chassis serial number.</li> <li>• <i>serial</i> is the number identified by the Sid field.</li> </ul> <p>An example is WS-C6509@C@12345678.</p>	/aml/ header/deviceId
Customer ID	Optional user-configurable field used for contract information or other ID by any support service.	/aml/ header/customerID
Contract ID	Optional user-configurable field used for contract information or other ID by any support service.	/aml/ header /contractId
Site ID	Optional user-configurable field used for Cisco-supplied site ID or other data meaningful to alternate support service.	/aml/ header/siteId

Data Item (Plain Text and XML)	Description (Plain Text and XML)	XML Tag (XML Only)
Server ID	<p>If the message is generated from the device, this ID is the unique device identifier (UDI) of the device. The format is <i>type@Sid@serial</i>.</p> <ul style="list-style-type: none"> <li>• <i>type</i> is the product model number from the backplane IDPROM.</li> <li>• <i>@</i> is a separator character.</li> <li>• <i>Sid</i> is C, identifying the serial ID as a chassis serial number.</li> <li>• <i>serial</i> is the number identified by the Sid field.</li> </ul> <p>An example is WS-C6509@C@12345678.</p>	/aml/header/serverId
Message description	Short text that describes the error.	/aml/body/msgDesc
Device name	Node that experienced the event (hostname of the device).	/aml/body/sysName
Contact name	Name of person to contact for issues associated with the node that experienced the event.	/aml/body/sysContact
Contact email	Email address of person identified as the contact for this unit.	/aml/body/sysContactEmail
Contact phone number	Phone number of the person identified as the contact for this unit.	/aml/body/sysContactPhone Number
Street address	Optional field that contains the street address for RMA part shipments associated with this unit.	/aml/body/sysStreetAddress
Model name	Model name of the device (the specific model as part of a product family name).	/aml/body/chassis/name
Serial number	Chassis serial number of the unit.	/aml/body/chassis/serialNo
Chassis part number	Top assembly number of the chassis.	/aml/body/chassis/partNo

## Alert Group Message Fields

The following table describes the fields specific to alert group messages for full text and XML. These fields may be repeated if multiple CLI commands are executed for an alert group.

Data Item (Plain Text and XML)	Description (Plain Text and XML)	XML Tag (XML Only)
Command output name	Exact name of the issued CLI command.	/aml/attachments/attachment/name
Attachment type	Specific command output.	/aml/attachments/attachment/type
MIME type	Either plain text or encoding type.	/aml/attachments/attachment/mime
Command output text	Output of command automatically executed.	/aml/attachments/attachment/atdata

## Fields for Reactive and Proactive Event Messages

The following table describes the reactive and proactive event message format for full text or XML messages.

Data Item (Plain Text and XML)	Description (Plain Text and XML)	XML Tag (XML Only)
Chassis hardware version	Hardware version of chassis.	/aml/body/chassis/hwVersion
Supervisor module software version	Top-level software version.	/aml/body/chassis/swVersion
Affected FRU name	Name of the affected FRU that is generating the event message.	/aml/body/fru/name
Affected FRU serial number	Serial number of the affected FRU.	/aml/body/fru/serialNo
Affected FRU part number	Part number of the affected FRU.	/aml/body/fru/partNo
FRU slot	Slot number of the FRU that is generating the event message.	/aml/body/fru/slot
FRU hardware version	Hardware version of the affected FRU.	/aml/body/fru/hwVersion
FRU software version	Software version(s) that is running on the affected FRU.	/aml/body/fru/swVersion

## Fields for Inventory Event Messages

The following table describes the inventory event message format for full text or XML messages.

Data Item (Plain Text and XML)	Description (Plain Text and XML)	XML Tag (XML Only)
Chassis hardware version	Hardware version of the chassis.	/aml/body/chassis/hwVersion
Supervisor module software version	Top-level software version.	/aml/body/chassis/swVersion
FRU name	Name of the affected FRU that is generating the event message.	/aml/body/fru/name
FRU s/n	Serial number of the FRU.	/aml/body/fru/serialNo
FRU part number	Part number of the FRU.	/aml/body/fru/partNo
FRU slot	Slot number of the FRU.	/aml/body/fru/slot

Data Item (Plain Text and XML)	Description (Plain Text and XML)	XML Tag (XML Only)
FRU hardware version	Hardware version of the FRU.	/aml/body/fru/hwVersion
FRU software version	Software version(s) that is running on the FRU.	/aml/body/fru/swVersion

## Fields for User-Generated Test Messages

The following table describes the user-generated test message format for full text or XML.

Data Item (Plain Text and XML)	Description (Plain Text and XML)	XML Tag (XML Only)
Process ID	Unique process ID.	/aml/body/process/id
Process state	State of process (for example, running or halted).	/aml/body/process/processState
Process exception	Exception or reason code.	/aml/body/process/exception

## Sample Syslog Alert Notification in Full-Text Format

This sample shows the full-text format for a syslog port alert-group notification:

```
Severity Level:5
Series:Nexus7000
Switch Priority:0
Device Id:N7K-C7010@C@TXX12345678
Server Id:N7K-C7010@C@TXX12345678
Time of Event:2008-01-17 16:31:33 GMT+0000 Message Name:
Message Type:syslog
System Name:dc3-test
Contact Name:Jay Tester
Contact Email:contact@example.com
Contact Phone:+91-80-1234-5678
Street Address:#1 Any Street
Event Description:SYSLOG_ALERT 2008 Jan 17 16:31:33 dc3-test %ETHPORT-2-IF_SEQ_ERROR: Error
(0x20) while
communicating with component MTS_SAP_ELTM opcode:MTS_OPC_ETHPM_PORT_PHY_CLEANUP (for:RID_PORT:
Ethernet3/1)

syslog_facility:ETHPORT
start chassis information:
Affected Chassis:N7K-C7010
Affected Chassis Serial Number:TXX12345678 Affected Chassis Hardware Version:0.405 Affected
Chassis Software
Version:4.1(1) Affected Chassis Part No:73-10900-04 end chassis information:
start attachment
name:show logging logfile | tail -n 200
type:text
data:
2008 Jan 17 10:57:51 dc3-test %SYSLOG-1-SYSTEM_MSG : Logging logfile (messages) cleared by
user
2008 Jan 17 10:57:53 dc3-test %VSHD-5-VSHD_SYSLOG_CONFIG_I: Configuring console from
/dev/ttyS0 /dev/ttyS0_console
2008 Jan 17 10:58:35 dc3-test %VSHD-5-VSHD_SYSLOG_CONFIG_I: Configuring console from
/dev/ttyS0 /dev/ttyS0_console
2008 Jan 17 10:59:00 dc3-test %DAEMON-3-SYSTEM_MSG: error: setsockopt IP_TOS 16: Invalid
argument: - sshd[14484]
```

```

2008 Jan 17 10:59:05 dc3-test %VSHD-5-VSHD_SYSLOG_CONFIG_I: Configuring console from
/dev/ttyS0 /dev/ttyS0_console
2008 Jan 17 12:11:18 dc3-test %SYSMGR-STANDBY-5-SUBPROC_TERMINATED: "System Manager (gsync
controller)" (PID 12000)
has finished with error code SYSMGR_EXITCODE_GSYNCF FAILED_NONFATAL (12).
2008 Jan 17 16:28:03 dc3-test %VSHD-5-VSHD_SYSLOG_CONFIG_I: Configuring console from
/dev/ttyS0 /dev/ttyS0_console
2008 Jan 17 16:28:44 dc3-test %SYSMGR-3-BASIC_TRACE: core_copy: PID 2579 with message Core
not generated by system
for eltm(0). WCOREDUMP(9) returned zero .
2008 Jan 17 16:28:44 dc3-test %SYSMGR-2-SERVICE_CRASHED: Service "eltm" (PID 3504) hasn't
caught signal 9 (no core).
2008 Jan 17 16:29:08 dc3-test %SYSMGR-3-BASIC_TRACE: core_copy: PID 2579 with message Core
not generated by system
for eltm(0). WCOREDUMP(9) returned zero.
2008 Jan 17 16:29:08 dc3-test %SYSMGR-2-SERVICE_CRASHED: Service "eltm" (PID 23210) hasn't
caught signal 9 (no core).
2008 Jan 17 16:29:17 dc3-test %SYSMGR-3-BASIC_TRACE: core_copy: PID 2579 with message Core
not generated by system
for eltm(0). WCOREDUMP(9) returned zero.
2008 Jan 17 16:29:17 dc3-test %SYSMGR-2-SERVICE_CRASHED: Service "eltm" (PID 23294) hasn't
caught signal 9 (no core).
2008 Jan 17 16:29:25 dc3-test %SYSMGR-2-HASWITCHOVER_PRE_START: This supervisor is becoming
active (pre-start phase).
2008 Jan 17 16:29:25 dc3-test %SYSMGR-2-HASWITCHOVER_START: This supervisor is becoming
active.
2008 Jan 17 16:29:26 dc3-test %USER-3-SYSTEM_MSG: crdcfg_get_srvinfo: mts_send failed -
device_test
2008 Jan 17 16:29:27 dc3-test %NETSTACK-3-IP_UNK_MSG_MAJOR: netstack [4336] Unrecognized
message from MRIB. Major
type 1807
2008 Jan 17 16:29:27 dc3-test %IM-5-IM_INTF_STATE: mgmt0 is DOWN in vdc 1
2008 Jan 17 16:29:27 dc3-test %IM-5-IM_INTF_STATE: mgmt0 is DOWN in vdc 2
2008 Jan 17 16:29:27 dc3-test %IM-5-IM_INTF_STATE: mgmt0 is DOWN in vdc 3
2008 Jan 17 16:29:27 dc3-test %IM-5-IM_INTF_STATE: mgmt0 is DOWN in vdc 4
2008 Jan 17 16:29:28 dc3-test %SYSMGR-2-SWITCHOVER_OVER: Switchover completed.
2008 Jan 17 16:29:28 dc3-test %DAEMON-3-SYSTEM_MSG: ntp:socket family : 2 - ntpd[19045]
2008 Jan 17 16:29:28 dc3-test %DAEMON-3-SYSTEM_MSG: ntp:socket family : 10 - ntpd[19045]
2008 Jan 17 16:29:28 dc3-test %DAEMON-3-SYSTEM_MSG: ntp:ipv6 only defined - ntpd[19045]
2008 Jan 17 16:29:28 dc3-test %DAEMON-3-SYSTEM_MSG: ntp:bindv6 only defined - ntpd[19045]
2008 Jan 17 16:29:28 dc3-test %DAEMON-3-SYSTEM_MSG: ntp:socket family : 2 - ntpd[19045]
2008 Jan 17 16:29:28 dc3-test %DAEMON-3-SYSTEM_MSG: ntp:socket family : 0 - ntpd[19045]
2008 Jan 17 16:29:28 dc3-test %DAEMON-3-SYSTEM_MSG: ntp:socket family : 0 - ntpd[19045]
2008 Jan 17 16:29:28 dc3-test %NETSTACK-3-CLIENT_GET: netstack [4336] HA client filter
recovery failed (0)
2008 Jan 17 16:29:28 dc3-test %NETSTACK-3-CLIENT_GET: netstack [4336] HA client filter
recovery failed (0)
2008 Jan 17 16:29:29 dc3-test %DAEMON-3-SYSTEM_MSG: ssh disabled, removing -
dcos-xinetd[19072]
2008 Jan 17 16:29:29 dc3-test %DAEMON-3-SYSTEM_MSG: Telnet disabled, removing -
dcos-xinetd[19072]
2008 Jan 17 16:29:31 dc3-test %DAEMON-3-SYSTEM_MSG: Telnet disabled, removing -
dcos-xinetd[19073]
2008 Jan 17 16:29:32 dc3-test %DAEMON-3-SYSTEM_MSG: ssh disabled, removing -
dcos-xinetd[19079]
2008 Jan 17 16:29:32 dc3-test %DAEMON-3-SYSTEM_MSG: Telnet disabled, removing -
dcos-xinetd[19079]
2008 Jan 17 16:29:34 dc3-test %IM-5-IM_INTF_STATE: mgmt0 is UP in vdc 1
2008 Jan 17 16:29:34 dc3-test %IM-5-IM_INTF_STATE: mgmt0 is UP in vdc 2
2008 Jan 17 16:29:34 dc3-test %IM-5-IM_INTF_STATE: mgmt0 is UP in vdc 3
2008 Jan 17 16:29:34 dc3-test %IM-5-IM_INTF_STATE: mgmt0 is UP in vdc 4
2008 Jan 17 16:29:34 dc3-test %DAEMON-3-SYSTEM_MSG: ssh disabled, removing -
dcos-xinetd[19105]
2008 Jan 17 16:29:34 dc3-test %DAEMON-3-SYSTEM_MSG: Telnet disabled, removing -

```



```

dcos-xinetd[19105]
2008 Jan 17 16:29:35 dc3-test %PLATFORM-2-PS_AC_IN_MISSING: Power supply 2 present but all
AC inputs are not
connected, ac-redundancy might be affected
2008 Jan 17 16:29:35 dc3-test %PLATFORM-2-PS_AC_IN_MISSING: Power supply 3 present but all
AC inputs are not
connected, ac-redundancy might be affected
2008 Jan 17 16:29:38 dc3-test %CALLHOME-2-EVENT: SUP_FAILURE
2008 Jan 17 16:29:46 dc3-test vsh[19166]: CLIC-3-FAILED_EXEC: Can not exec command <more>
return code <14>
2008 Jan 17 16:30:24 dc3-test vsh[23810]: CLIC-3-FAILED_EXEC: Can not exec command <more>
return code <14>
2008 Jan 17 16:30:24 dc3-test vsh[23803]: CLIC-3-FAILED_EXEC: Can not exec command <more>
return code <14>
2008 Jan 17 16:30:24 dc3-test vsh[23818]: CLIC-3-FAILED_EXEC: Can not exec command <more>
return code <14>
2008 Jan 17 16:30:47 dc3-test %SYSMGR-3-BASIC_TRACE: core_copy: PID 2630 with message Core
not generated by
system for eltm(0). WCOREDUMP(9) returned zero .
2008 Jan 17 16:30:47 dc3-test %SYSMGR-2-SERVICE_CRASHED: Service "eltm" (PID 4820) hasn't
caught signal 9
(no core).
2008 Jan 17 16:31:02 dc3-test %SYSMGR-3-BASIC_TRACE: core_copy: PID 2630 with message Core
not generated by
system for eltm(0). WCOREDUMP(9) returned zero .
2008 Jan 17 16:31:02 dc3-test %SYSMGR-2-SERVICE_CRASHED: Service "eltm" (PID 24239) hasn't
caught signal 9
(no core).
2008 Jan 17 16:31:14 dc3-test %SYSMGR-3-BASIC_TRACE: core_copy: PID 2630 with message Core
not generated by
system for eltm(0). WCOREDUMP(9) returned zero .
2008 Jan 17 16:31:14 dc3-test %SYSMGR-2-SERVICE_CRASHED: Service "eltm" (PID 24401) hasn't
caught signal 9
(no core).
2008 Jan 17 16:31:23 dc3-test %CALLHOME-2-EVENT: SW_CRASH alert for service: eltm
2008 Jan 17 16:31:23 dc3-test %SYSMGR-3-BASIC_TRACE: core_copy: PID 2630 with message Core
not generated by
system for eltm(0). WCOREDUMP(9) returned zero .
2008 Jan 17 16:31:23 dc3-test %SYSMGR-2-SERVICE_CRASHED: Service "eltm" (PID 24407) hasn't
caught signal 9
(no core).
2008 Jan 17 16:31:24 dc3-test vsh[24532]: CLIC-3-FAILED_EXEC: Can not exec command <more>
return code <14>
2008 Jan 17 16:31:24 dc3-test vsh[24548]: CLIC-3-FAILED_EXEC: Can not exec command <more>
return code <14>
2008 Jan 17 16:31:24 dc3-test vsh[24535]: CLIC-3-FAILED_EXEC: Can not exec command <more>
return code <14>
2008 Jan 17 16:31:33 dc3-test %NETSTACK-3-INTERNAL_ERROR: netstack [4336] (null)
2008 Jan 17 16:31:33 dc3-test %ETHPORT-2-IF_SEQ_ERROR: Error (0x20) while communicating
with component MTS_SAP_ELTM
opcode:MTS_OPC_ETHPM_PORT_PHY_CLEANUP (for:RID_PORT: Ethernet3/1) end attachment start
attachment
name:show vdc membership
type:text
data:
vdc_id: 1 vdc_name: dc3-test interfaces:
Ethernet3/1 Ethernet3/2 Ethernet3/3
Ethernet3/4 Ethernet3/5 Ethernet3/6
Ethernet3/7 Ethernet3/8 Ethernet3/9
Ethernet3/10 Ethernet3/11 Ethernet3/12
Ethernet3/13 Ethernet3/14 Ethernet3/15
Ethernet3/16 Ethernet3/17 Ethernet3/18
Ethernet3/19 Ethernet3/20 Ethernet3/21
Ethernet3/22 Ethernet3/23 Ethernet3/24

```

```

Ethernet3/25 Ethernet3/26 Ethernet3/27
Ethernet3/28 Ethernet3/29 Ethernet3/30
Ethernet3/31 Ethernet3/32 Ethernet3/33
Ethernet3/34 Ethernet3/35 Ethernet3/36
Ethernet3/37 Ethernet3/38 Ethernet3/39
Ethernet3/40 Ethernet3/41 Ethernet3/42
Ethernet3/43 Ethernet3/44 Ethernet3/45
Ethernet3/46 Ethernet3/47 Ethernet3/48
vdc_id: 2 vdc_name: dc3-aaa interfaces:
vdc_id: 3 vdc_name: dc3-rbac interfaces:
vdc_id: 4 vdc_name: dc3-call interfaces:
end attachment
start attachment
name:show vdc current-vdc
type:text
data:
Current vdc is 1 - dc3-test
end attachment
start attachment
name:show license usage
type:text
data:
Feature Ins Lic Status Expiry Date Comments
Count
-----
LAN_ADVANCED_SERVICES_PKG Yes - In use Never -
LAN_ENTERPRISE_SERVICES_PKG Yes - Unused Never -
-----
end attachment

```

## Sample Syslog Alert Notification in XML Format

This sample shows the XML format for a syslog port alert-group notification:

```

<?xml version="1.0" encoding="UTF-8" ?>
<soap-env:Envelope xmlns:soap-env="http://www.w3.org/2003/05/soap-envelope">
<soap-env:Header>
<aml-session:Session xmlns:aml-session="http://www.cisco.com/2004/01/aml-session"
soap-env:mustUnderstand="true"
soap-env:role="http://www.w3.org/2003/05/soap-envelope/role/next">
<aml-session:To>http://tools.cisco.com/neddce/services/DCEService</aml-session:To>
<aml-session:Path>
<aml-session:Via>http://www.cisco.com/appliance/uri</aml-session:Via>
</aml-session:Path>
<aml-session:From>http://www.cisco.com/appliance/uri</aml-session:From>
<aml-session:MessageId>1004:TXX12345678:478F82E6</aml-session:MessageId>
</aml-session:Session>
</soap-env:Header>
<soap-env:Body>
<aml-block:Block xmlns:aml-block="http://www.cisco.com/2004/01/aml-block">
<aml-block:Header>
<aml-block:Type>http://www.cisco.com/2005/05/callhome/syslog</aml-block:Type>
<aml-block:CreationDate>2008-01-17 16:31:33 GMT+0000</aml-block:CreationDate>
<aml-block:Builder>
<aml-block:Name>DC3</aml-block:Name>
<aml-block:Version>4.1</aml-block:Version>
</aml-block:Builder>
<aml-block:BlockGroup>
<aml-block:GroupId>1005:TXX12345678:478F82E6</aml-block:GroupId>
<aml-block:Number>0</aml-block:Number>
<aml-block:IsLast>true</aml-block:IsLast>
<aml-block:IsPrimary>true</aml-block:IsPrimary>

```

```

<aml-block:WaitForPrimary>>false</aml-block:WaitForPrimary>
</aml-block:BlockGroup>
<aml-block:Severity>5</aml-block:Severity>
</aml-block:Header>
<aml-block:Content>
<ch:CallHome xmlns:ch="http://www.cisco.com/2005/05/callhome" version="1.0">
<ch:EventTime>2008-01-17 16:31:33 GMT+0000</ch:EventTime> <ch:MessageDescription>SYSLOG_ALERT
  2008 Jan 17 16:31:33
dc3-test %ETHPORT-2-IF_SEQ_ERROR: Error (0x20) while communicating with component MTS_SAP_ELTM
opcode:MTS_OPC_ETHPM_PORT_PHY_CLEANUP
(for:RID_PORT: Ethernet3/1) </ch:MessageDescription> <ch:Event> <ch:Type>syslog</ch:Type>
<ch:SubType></ch:SubType>
<ch:Brand>Cisco</ch:Brand> <ch:Series>Nexus7000</ch:Series> </ch:Event> <ch:CustomerData>
<ch:UserData>
<ch:Email>contact@example.com</ch:Email>
</ch:UserData>
<ch:ContractData>
<ch:DeviceId>N7K-C7010@C@TXX12345678</ch:DeviceId>
</ch:ContractData>
<ch:SystemInfo>
<ch:Name>dc3-test</ch:Name>
<ch>Contact>Jay Tester</ch>Contact> <ch>ContactEmail>contact@example.com</ch>ContactEmail>
<ch>ContactPhoneNumber>+91-80-1234-5678</ch>ContactPhoneNumber>
<ch:StreetAddress>#1, Any Street</ch:StreetAddress> </ch:SystemInfo> </ch:CustomerData>
<ch:Device>
<rme:Chassis xmlns:rme="http://www.cisco.com/rme/4.1">
<rme:Model>N7K-C7010</rme:Model>
<rme:HardwareVersion>0.405</rme:HardwareVersion>
<rme:SerialNumber>TXX12345678</rme:SerialNumber>
</rme:Chassis>
</ch:Device>
</ch:CallHome>
</aml-block:Content>
<aml-block:Attachments>
<aml-block:Attachment type="inline">
<aml-block:Name>show logging logfile | tail -n 200</aml-block:Name> <aml-block:Data
encoding="plain">
<![CDATA[2008 Jan 17 10:57:51 dc3-test %SYSLOG-1-SYSTEM_MSG : Logging logfile (messages)
cleared by user
2008 Jan 17 10:57:53 dc3-test %VSHD-5-VSHD_SYSLOG_CONFIG_I: Configuring console from
/dev/ttyS0 /dev/ttyS0_console
2008 Jan 17 10:58:35 dc3-test %VSHD-5-VSHD_SYSLOG_CONFIG_I: Configuring console from
/dev/ttyS0 /dev/ttyS0_console
2008 Jan 17 10:59:00 dc3-test %DAEMON-3-SYSTEM_MSG: error: setsockopt IP_TOS 16: Invalid
argument: - sshd[14484]
2008 Jan 17 10:59:05 dc3-test %VSHD-5-VSHD_SYSLOG_CONFIG_I: Configuring console from
/dev/ttyS0 /dev/ttyS0_console
2008 Jan 17 12:11:18 dc3-test %SYSMGR-STANDBY-5-SUBPROC_TERMINATED: \"System Manager (gsync
controller)\"
(PID 12000) has finished with error code SYSMGR_EXITCODE_GSYNCF FAILED_NONFATAL (12).
2008 Jan 17 16:28:03 dc3-test %VSHD-5-VSHD_SYSLOG_CONFIG_I: Configuring console from
/dev/ttyS0 /dev/ttyS0_console
2008 Jan 17 16:28:44 dc3-test %SYSMGR-3-BASIC_TRACE: core_copy: PID 2579 with message Core
not generated by system
for eltm(0). WCOREDUMP(9) returned zero .
2008 Jan 17 16:28:44 dc3-test %SYSMGR-2-SERVICE_CRASHED: Service \"eltm\" (PID 3504)
hasn&apos;t caught signal 9
(no core).
2008 Jan 17 16:29:08 dc3-test %SYSMGR-3-BASIC_TRACE: core_copy: PID 2579 with message Core
not generated by system
for eltm(0). WCOREDUMP(9) returned zero .
2008 Jan 17 16:29:08 dc3-test %SYSMGR-2-SERVICE_CRASHED: Service \"eltm\" (PID 23210)
hasn&apos;t caught signal 9
(no core)].

```

```

2008 Jan 17 16:29:17 dc3-test %SYSMGR-3-BASIC_TRACE: core_copy: PID 2579 with message Core
not generated by system
for eltm(0). WCOREDUMP(9) returned zero .
2008 Jan 17 16:29:17 dc3-test %SYSMGR-2-SERVICE_CRASHED: Service \"eltm\" (PID 23294)
hasn't caught signal 9
(no core).
2008 Jan 17 16:29:25 dc3-test %SYSMGR-2-HASWITCHOVER_PRE_START: This supervisor is becoming
active (pre-start phase).
2008 Jan 17 16:29:25 dc3-test %SYSMGR-2-HASWITCHOVER_START: This supervisor is becoming
active.
2008 Jan 17 16:29:26 dc3-test %USER-3-SYSTEM_MSG: crdcfg_get_srvinfomts_send failed -
device_test
2008 Jan 17 16:29:27 dc3-test %NETSTACK-3-IP_UNK_MSG_MAJOR: netstack [4336] Unrecognized
message from MRIB.
Major type 1807
2008 Jan 17 16:29:27 dc3-test %IM-5-IM_INTF_STATE: mgmt0 is DOWN in vdc 1
2008 Jan 17 16:29:27 dc3-test %IM-5-IM_INTF_STATE: mgmt0 is DOWN in vdc 2
2008 Jan 17 16:29:27 dc3-test %IM-5-IM_INTF_STATE: mgmt0 is DOWN in vdc 3
2008 Jan 17 16:29:27 dc3-test %IM-5-IM_INTF_STATE: mgmt0 is DOWN in vdc 4
2008 Jan 17 16:29:28 dc3-test %SYSMGR-2-SWITCHOVER_OVER: Switchover completed.
2008 Jan 17 16:29:28 dc3-test %DAEMON-3-SYSTEM_MSG: ntp:socket family : 2 - ntpd[19045]
2008 Jan 17 16:29:28 dc3-test %DAEMON-3-SYSTEM_MSG: ntp:socket family : 10 - ntpd[19045]
2008 Jan 17 16:29:28 dc3-test %DAEMON-3-SYSTEM_MSG: ntp:ipv6 only defined - ntpd[19045]
2008 Jan 17 16:29:28 dc3-test %DAEMON-3-SYSTEM_MSG: ntp:bindv6 only defined - ntpd[19045]
2008 Jan 17 16:29:28 dc3-test %DAEMON-3-SYSTEM_MSG: ntp:socket family : 2 - ntpd[19045]
2008 Jan 17 16:29:28 dc3-test %DAEMON-3-SYSTEM_MSG: ntp:socket family : 0 - ntpd[19045]
2008 Jan 17 16:29:28 dc3-test %DAEMON-3-SYSTEM_MSG: ntp:socket family : 0 - ntpd[19045]
2008 Jan 17 16:29:28 dc3-test %NETSTACK-3-CLIENT_GET: netstack [4336] HA client filter
recovery failed (0)
2008 Jan 17 16:29:28 dc3-test %NETSTACK-3-CLIENT_GET: netstack [4336] HA client filter
recovery failed (0)
2008 Jan 17 16:29:29 dc3-test %DAEMON-3-SYSTEM_MSG: ssh disabled, removing -
dcos-xinetd[19072]
2008 Jan 17 16:29:29 dc3-test %DAEMON-3-SYSTEM_MSG: Telnet disabled, removing -
dcos-xinetd[19072]
2008 Jan 17 16:29:31 dc3-test %DAEMON-3-SYSTEM_MSG: Telnet disabled, removing -
dcos-xinetd[19073]
2008 Jan 17 16:29:32 dc3-test %DAEMON-3-SYSTEM_MSG: ssh disabled, removing -
dcos-xinetd[19079]
2008 Jan 17 16:29:32 dc3-test %DAEMON-3-SYSTEM_MSG: Telnet disabled, removing -
dcos-xinetd[19079]
2008 Jan 17 16:29:34 dc3-test %IM-5-IM_INTF_STATE: mgmt0 is UP in vdc 1
2008 Jan 17 16:29:34 dc3-test %IM-5-IM_INTF_STATE: mgmt0 is UP in vdc 2
2008 Jan 17 16:29:34 dc3-test %IM-5-IM_INTF_STATE: mgmt0 is UP in vdc 3
2008 Jan 17 16:29:34 dc3-test %IM-5-IM_INTF_STATE: mgmt0 is UP in vdc 4
2008 Jan 17 16:29:34 dc3-test %DAEMON-3-SYSTEM_MSG: ssh disabled, removing -
dcos-xinetd[19105]
2008 Jan 17 16:29:34 dc3-test %DAEMON-3-SYSTEM_MSG: Telnet disabled, removing -
dcos-xinetd[19105]
2008 Jan 17 16:29:35 dc3-test %PLATFORM-2-PS_AC_IN_MISSING: Power supply 2 present but all
AC inputs are not
connected, ac-redundancy might be affected
2008 Jan 17 16:29:35 dc3-test %PLATFORM-2-PS_AC_IN_MISSING: Power supply 3 present but all
AC inputs are not
connected, ac-redundancy might be affected
2008 Jan 17 16:29:38 dc3-test %CALLHOME-2-EVENT: SUP_FAILURE
2008 Jan 17 16:29:46 dc3-test vsh[19166]: CLIC-3-FAILED_EXEC: Can not exec command
<more>; return code <14>;
2008 Jan 17 16:30:24 dc3-test vsh[23810]: CLIC-3-FAILED_EXEC: Can not exec command
<more>; return code <14>;
2008 Jan 17 16:30:24 dc3-test vsh[23803]: CLIC-3-FAILED_EXEC: Can not exec command
<more>; return code <14>;
2008 Jan 17 16:30:24 dc3-test vsh[23818]: CLIC-3-FAILED_EXEC: Can not exec command
<more>; return code <14>;

```

```

2008 Jan 17 16:30:47 dc3-test %SYSMGR-3-BASIC_TRACE: core_copy: PID 2630 with message Core
not generated by system
for eltm(0). WCOREDUMP(9) returned zero .
2008 Jan 17 16:30:47 dc3-test %SYSMGR-2-SERVICE_CRASHED: Service \"eltm\" (PID 4820)
hasn&apos;t caught signal 9
(no core).
2008 Jan 17 16:31:02 dc3-test %SYSMGR-3-BASIC_TRACE: core_copy: PID 2630 with message Core
not generated by system
for eltm(0). WCOREDUMP(9) returned zero .
2008 Jan 17 16:31:02 dc3-test %SYSMGR-2-SERVICE_CRASHED: Service \"eltm\" (PID 24239)
hasn&apos;t caught signal 9
(no core).
2008 Jan 17 16:31:14 dc3-test %SYSMGR-3-BASIC_TRACE: core_copy: PID 2630 with message Core
not generated by system
for eltm(0). WCOREDUMP(9) returned zero .
2008 Jan 17 16:31:14 dc3-test %SYSMGR-2-SERVICE_CRASHED: Service \"eltm\" (PID 24401)
hasn&apos;t caught signal 9
(no core).
2008 Jan 17 16:31:23 dc3-test %CALLHOME-2-EVENT: SW_CRASH alert for service: eltm
2008 Jan 17 16:31:23 dc3-test %SYSMGR-3-BASIC_TRACE: core_copy: PID 2630 with message Core
not generated by system
for eltm(0). WCOREDUMP(9) returned zero .
2008 Jan 17 16:31:23 dc3-test %SYSMGR-2-SERVICE_CRASHED: Service \"eltm\" (PID 24407)
hasn&apos;t caught signal 9
(no core).
2008 Jan 17 16:31:24 dc3-test vsh[24532]: CLIC-3-FAILED_EXEC: Can not exec command
&lt;more&gt; return code &lt;14&gt;
2008 Jan 17 16:31:24 dc3-test vsh[24548]: CLIC-3-FAILED_EXEC: Can not exec command
&lt;more&gt; return code &lt;14&gt;
2008 Jan 17 16:31:24 dc3-test vsh[24535]: CLIC-3-FAILED_EXEC: Can not exec command
&lt;more&gt; return code &lt;14&gt;
2008 Jan 17 16:31:33 dc3-test %NETSTACK-3-INTERNAL_ERROR: netstack [4336] (null)
2008 Jan 17 16:31:33 dc3-test %ETHPORT-2-IF_SEQ_ERROR: Error (0x20) while communicating
with component
MTS_SAP_ELTM opcode:MTS_OPC_ETHPM_PORT_PHY_CLEANUP (for:RID_PORT: Ethernet3/1) ]]>
</aml-block:Data>
</aml-block:Attachment> <aml-block:Attachment type="inline"> <aml-block:Name>show vdc
membership</aml-block:Name>
<aml-block:Data encoding="plain"> <![CDATA[
vdc_id: 1 vdc_name: dc3-test interfaces:
Ethernet3/1 Ethernet3/2 Ethernet3/3
Ethernet3/4 Ethernet3/5 Ethernet3/6
Ethernet3/7 Ethernet3/8 Ethernet3/9
Ethernet3/10 Ethernet3/11 Ethernet3/12
Ethernet3/13 Ethernet3/14 Ethernet3/15
Ethernet3/16 Ethernet3/17 Ethernet3/18
Ethernet3/19 Ethernet3/20 Ethernet3/21
Ethernet3/22 Ethernet3/23 Ethernet3/24
Ethernet3/25 Ethernet3/26 Ethernet3/27
Ethernet3/28 Ethernet3/29 Ethernet3/30
Ethernet3/31 Ethernet3/32 Ethernet3/33
Ethernet3/34 Ethernet3/35 Ethernet3/36
Ethernet3/37 Ethernet3/38 Ethernet3/39
Ethernet3/40 Ethernet3/41 Ethernet3/42
Ethernet3/43 Ethernet3/44 Ethernet3/45
Ethernet3/46 Ethernet3/47 Ethernet3/48
vdc_id: 2 vdc_name: dc3-aaa interfaces:
vdc_id: 3 vdc_name: dc3-rbac interfaces:
vdc_id: 4 vdc_name: dc3-call interfaces:

]]>
</aml-block:Data>
</aml-block:Attachment>

```

```

<aml-block:Attachment type="inline">
<aml-block:Name>show vdc current-vdc</aml-block:Name> <aml-block:Data encoding="plain">
<![CDATA[Current vdc
is 1 - dc3-test ]]> </aml-block:Data> </aml-block:Attachment> <aml-block:Attachment
type="inline">
<aml-block:Name>show license usage</aml-block:Name> <aml-block:Data encoding="plain">
<![CDATA[Feature Ins Lic Status Expiry Date Comments
Count
-----
LAN_ADVANCED_SERVICES_PKG Yes - In use Never -
LAN_ENTERPRISE_SERVICES_PKG Yes - Unused Never -
-----
]]>
</aml-block:Data>
</aml-block:Attachment>
</aml-block:Attachments>
</aml-block:Block>
</soap-env:Body>
</soap-env:Envelope>

```

## Additional References

### Related Documents

Related Topic	Document Title
Smart Call CLI commands	<i>Cisco Nexus 7000 Series NX-OS System Management Command Reference</i>
VDCs and VRFs	<i>Cisco Nexus 7000 Series NX-OS Virtual Device Context Configuration Guide</i>

### MIBs

MIBs	MIBs Link
MIBs related to Smart Call Home	To locate and download supported MIBs, go to the following URL: <a href="ftp://ftp.cisco.com/pub/mibs/supportlists/nexus7000/Nexus7000MIBSupportList.html">ftp://ftp.cisco.com/pub/mibs/supportlists/nexus7000/Nexus7000MIBSupportList.html</a>

## Feature History for Smart Call Home

The table below summarizes the new and changed features for this document and shows the releases in which each feature is supported. Your software release might not support all the features in this document. For the latest caveats and feature information, see the Bug Search Tool at <https://tools.cisco.com/bugsearch/> and the release notes for your software release.

**Table 16: Feature History for Smart Call Home**

Feature Name	Releases	Feature Information
--------------	----------	---------------------

HTTP proxy server	5.2(1)	Added the ability to send HTTP messages through an HTTP proxy server.
SMTP server configuration	5.0(2)	Added the ability to configure multiple SMTP servers.
VRF support for HTTP transport of Smart Call Home messages	5.0(2)	VRFs can be used to send e-mail and other Smart Call Home messages over HTTP.
Crash notifications	4.0(1)	Messages are sent for process crashes on line cards.
Destination profile configuration	4.1(3)	The commands <b>destination-profile http</b> and <b>destination-profile transport-method</b> cannot be distributed.







## CHAPTER 9

# Configuring Rollback

---

This chapter describes how to configure rollback on Cisco NX-OS devices.

This chapter contains the following sections:

- [Finding Feature Information, on page 147](#)
- [About Rollbacks, on page 147](#)
- [Licensing Requirements for Rollbacks, on page 149](#)
- [Prerequisites for Rollbacks, on page 149](#)
- [Guidelines and Limitations for Rollbacks, on page 149](#)
- [Default Settings for Rollbacks, on page 151](#)
- [Configuring Rollbacks, on page 151](#)
- [Verifying the Rollback Configuration, on page 153](#)
- [Configuration Example for Rollback, on page 153](#)
- [Additional References, on page 154](#)
- [Feature History for Rollback, on page 154](#)

## Finding Feature Information

Your software release might not support all the features documented in this module. For the latest caveats and feature information, see the Bug Search Tool at <https://tools.cisco.com/bugsearch/> and the release notes for your software release. To find information about the features documented in this module, and to see a list of the releases in which each feature is supported, see the "New and Changed Information" chapter or the Feature History table in this chapter.

## About Rollbacks

A rollback allows you to take a snapshot, or user checkpoint, of the Cisco NX-OS configuration and then reapply that configuration to your device at any point without having to reload the device. A rollback allows any authorized administrator to apply this checkpoint configuration without requiring expert knowledge of the features configured in the checkpoint.

Cisco NX-OS automatically creates system checkpoints. You can use either a user or system checkpoint to perform a rollback.

You can create a checkpoint copy of the current running configuration at any time. Cisco NX-OS saves this checkpoint as an ASCII file which you can use to roll back the running configuration to the checkpoint

configuration at a future time. You can create multiple checkpoints to save different versions of your running configuration.

When you roll back the running configuration, you can trigger the following rollback types:

- atomic—Implement a rollback only if no errors occur.
- best-effort—Implement a rollback and skip any errors.
- stop-at-first-failure—Implement a rollback that stops if an error occurs.

The default rollback type is atomic.

When you are ready to roll back to a checkpoint configuration, you can view the changes that will be applied to your current running configuration before committing to the rollback operation. If an error occurs during the rollback operation, you can choose to cancel the operation, or ignore the error and proceed with the rollback. If you cancel the operation, Cisco NX-OS provides a list of changes already applied before the error occurred. You need to clean up these changes manually.

## Automatically Generated System Checkpoints

The Cisco NX-OS software automatically generates system checkpoints to help you avoid a loss of configuration information. System checkpoints are generated by the following events:

- Disabling an enabled feature with the **no feature** command
- Removing an instance of a Layer 3 protocol, such as with the **no router bgp** command or the **no ip pim sparse-mode** command
- License expiration of a feature

If one of these events causes system configuration changes, the feature software creates a system checkpoint that you can use to roll back to the previous system configuration. The system generated checkpoint filenames begin with “system-” and include the feature name. For example, the first time that you disable the EIGRP feature, the system creates the checkpoint named `system-fm-__inst_1__eigrp`.

## High Availability

Whenever a checkpoint is created using the `checkpoint` or `checkpoint checkpoint_name` commands, the checkpoint is synchronized to the standby unit.

A rollback remembers the states of the checkpoint operation, so if the checkpoint operation is interrupted and the system is left in an inconsistent state, a rollback can complete the checkpoint operation (synchronize the checkpoint with the standby unit) before proceeding with the rollback operation.

Your checkpoint files are still available after a process restart or supervisor switchover. Even if there is an interruption during the process restart or supervisor switchover, the checkpoint will complete successfully before proceeding with the operation. In a supervisor switchover, the checkpoint is completed on the new active unit.

If a process restart or supervisor switchover occurs during a rollback operation, after the restart or switchover completes, the rollback will resume from its previous state and complete successfully.

## Virtualization Support

Cisco NX-OS creates a checkpoint of the running configuration in the virtual device context (VDC) that you are logged into. You can create different checkpoint copies in each VDC. You cannot apply the checkpoint of one VDC into another VDC. By default, Cisco NX-OS places you in the default VDC. See the *Cisco Nexus 7000 Series NX-OS Virtual Device Context Configuration Guide*.

VDC configuration does not support checkpoints for any operations, including (but not limited to) VDC creation, VDC deletion, VDC suspension, VDC reloading, VDC renaming, VDC interface allocation, shared interface allocation, FCoE VLAN allocation, resource allocation, and resource templates. You should create your checkpoint from within a specific VDC.

## Licensing Requirements for Rollbacks

Product	License Requirement
Cisco NX-OS	The rollback feature requires no license. Any feature not included in a license package is bundled with the nx-os image and is provided at no extra charge to you. For a complete explanation of the Cisco NX-OS licensing scheme, see the <i>Cisco NX-OS Licensing Guide</i> .

## Prerequisites for Rollbacks

To configure rollback, you must have network-admin user privileges.

If you configure VDCs, install the appropriate license and go to the specific VDC. See the *Cisco Nexus 7000 Series NX-OS Virtual Device Context Configuration Guide* for configuration information and the *Cisco NX-OS Licensing Guide* for licensing information.

## Guidelines and Limitations for Rollbacks

Rollbacks have the following configuration guidelines and limitations:

- You can create up to ten checkpoint copies.
- Your checkpoint filenames must be 80 characters or less.
- You cannot apply a checkpoint configuration in a nondefault VDC if there is a change in the global configuration portion of the running configuration compared to the checkpoint configuration.
- Your checkpoint filenames must be 80 characters or less.
- You cannot start a checkpoint filename with the word *system*.
- Beginning in Cisco NX-OS Release 4.2(1), you can start a checkpoint filename with the word *auto*.
- Beginning in Cisco NX-OS Release 4.2(1), you can name a checkpoint file *summary* or any abbreviation of the word *summary*.

- Only one user can perform a checkpoint, rollback, or copy the running configuration to the startup configuration at the same time.
- After the system executes the **write erase** or **reload** command, checkpoints are deleted. You can use the **clear checkpoint database** command to clear out all checkpoint files.
- A rollback fails for NetFlow if during a rollback, you try to modify a record that is programmed in the hardware.
- Although a rollback is not supported for checkpoints across software versions, users can perform a rollback at their own discretion and can use the best-effort mode to recover from errors.
- When checkpoints are created on bootflash, differences with the running-system configuration cannot be performed before performing the rollback, and the system reports “No Changes.”
- Checkpoints are local to a virtual device context (VDC).
- Checkpoints created using the **checkpoint** and **checkpoint checkpoint\_name** commands are present upon a switchover.
- Checkpoints created in the default VDC are present upon reload unless a **write-erase** command is issued before a reload.
- Checkpoints created in nondefault VDCs are present upon reload only if a **copy running-config startup-config** command is issued in the applicable VDC *and* the default VDC.
- A rollback to files on bootflash is supported only on files created using the **checkpoint checkpoint\_name** command and not on any other type of ASCII file.
- Checkpoint names must be unique. You cannot overwrite previously saved checkpoints with the same name.
- Rollback is not supported in the storage VDC.
- Rollback is not supported in the Admin virtual device context (VDC) feature.
- Configure the **terminal dont-ask** command before executing the **rollback** command to a checkpoint. In a rollback patch, the rollback process does not pause for user interaction and takes the default values for interactive commands. Configuring the **terminal dont-ask** command before executing the **rollback** command helps in resolving this issue.
- Rollback is not supported in the context of auto configurations. Checkpoints do not store auto configurations. Therefore, after a rollback is performed, the corresponding auto configurations will not be present.
- When you perform rollback, if the patch contains the **reload** command for the corresponding module along with the configuration commands for that module, rollback fails. This is because the rollback action does not wait for the module to come online; it starts executing the configuration commands on the module even as the reload process is in progress. To resolve this issue, manually execute the configuration commands for the module *after* the module is online.

Examples:

- A rollback fails when you execute the **bfd hw-offload-module** command or the **no** form of this command. In this instance, failure is because rollback cannot execute these commands when the switch interfaces that are a part of the BFD sessions are powered up. To resolve this issue, shut down all the interfaces that are a part of the BFD sessions using the **shutdown** command before executing the **bfd hw-offload-module** command or the **no** form of this command.

- The following BFD command configurations are not supported during a rollback configuration:
  - **bfd {ipv4 | ipv6} echo**
  - **bfd {ipv4 | ipv6} per-link**
  - **bfd hw-offload-module** *module-number*
  - **port-channel bfd track-member-link**
  - **port-channel bfd destination** *destination-ip-address*
- When an FEX is being configured while a rollback vPC is applied to an interface, the FEX goes offline momentarily. When this occurs, rollback does not wait for the FEX to come online, and executes the configuration commands for the interface, resulting in failure because the corresponding FEX is not yet provisioned. To resolve this issue, manually execute the FEX-related configuration commands *after* the FEX is online.
- Checkpoint descriptions are not persistent across switch reloads. When a description for a checkpoint is created by using the **checkpoint** *description* command, the description is not visible in the output of the **show checkpoint summary** command after the switch is reloaded. If the checkpoint description can be qualified as a checkpoint name, we recommend using the same alphanumeric string for both the checkpoint name and description. The checkpoint name is visible in the output of the **show checkpoint summary** command even after the switch is reloaded

## Default Settings for Rollbacks

This table lists the default settings for rollback parameters.

Parameters	Default
Rollback type	Atomic

## Configuring Rollbacks



**Note** Be aware that the Cisco NX-OS commands may differ from the Cisco IOS commands.

## Creating a Checkpoint

You can create up to ten checkpoints of your configuration.

### Procedure

	Command or Action	Purpose
<b>Step 1</b>	<b>[no] checkpoint</b> {[ <i>cp-name</i> ] [ <b>description</b> <i>descr</i> ]   <b>file</b> <i>file-name</i> }	Creates a checkpoint of the running configuration to either a user checkpoint name

	Command or Action	Purpose
	<b>Example:</b> <pre>switch# checkpoint stable</pre>	<p>or a file. The checkpoint name can be any alphanumeric string up to 80 characters but cannot contain spaces. If you do not provide a name, Cisco NX-OS sets the checkpoint name to <code>user-checkpoint-number</code> where <i>number</i> is from 1 to 10.</p> <p>The description can contain up to 80 alphanumeric characters, including spaces.</p> <p>You can use the <b>no</b> form of the <b>checkpoint</b> command to remove a checkpoint name. Use the <b>delete</b> command to remove a checkpoint file.</p>
<b>Step 2</b>	(Optional) <b>show checkpoint <i>cp-name</i> [all]</b>  <b>Example:</b> <pre>switch# show checkpoint stable</pre>	Displays the contents of the checkpoint name.

## Implementing a Rollback

You can implement a rollback to a checkpoint name or file. Before you implement a rollback, you can view the differences between source and destination checkpoints that reference current or saved configurations.



**Note** If you make a configuration change during an atomic rollback, the rollback will fail.

### Procedure

	Command or Action	Purpose
<b>Step 1</b>	<b>show diff rollback-patch {checkpoint <i>src-cp-name</i>   running-config   startup-config   file <i>source-file</i>} {checkpoint <i>dest-cp-name</i>   running-config   startup-config   file <i>dest-file</i>}</b>  <b>Example:</b> <pre>switch# show diff rollback-patch checkpoint stable running-config</pre>	Displays the differences between the source and destination checkpoint selections.
<b>Step 2</b>	<b>rollback running-config {checkpoint <i>cp-name</i>   file <i>cp-file</i>} [atomic   best-effort   stop-at-first-failure]</b>  <b>Example:</b> <pre>switch# rollback running-config checkpoint stable</pre>	Creates a rollback to the specified checkpoint name or file. You can implement the following rollback types: <ul style="list-style-type: none"> <li>• <b>atomic</b>—Implement a rollback only if no errors occur.</li> <li>• <b>best-effort</b>—Implement a rollback and skip any errors.</li> </ul>

	Command or Action	Purpose
		<ul style="list-style-type: none"> <li>• stop-at-first-failure—Implement a rollback that stops if an error occurs.</li> </ul> <p>The default is atomic.</p> <p>This example shows how to implement a rollback to a user checkpoint name.</p>

## Verifying the Rollback Configuration

To display the rollback configuration information, perform one of the following tasks:

Command	Purpose
<b>show checkpoint</b> <i>name</i> [ <b>all</b> ]	Displays the contents of the checkpoint name.
<b>show checkpoint all</b> [ <b>user</b>   <b>system</b> ]	Displays the contents of all checkpoints. You can limit the displayed checkpoints to user or system generated checkpoints.
<b>show checkpoint summary</b> [ <b>user</b>   <b>system</b> ]	Displays a list of all checkpoints. You can limit the displayed checkpoints to user or system generated checkpoints.
<b>show diff rollback-patch</b> { <b>checkpoint</b> <i>src-cp-name</i>   <b>running-config</b>   <b>startup-config</b>   <b>file</b> <i>source-file</i> } { <b>checkpoint</b> <i>dest-cp-name</i>   <b>running-config</b>   <b>startup-config</b>   <b>file</b> <i>dest-file</i> }	Displays the differences between the source and destination checkpoint selections.
<b>show rollback log</b> [ <b>exec</b>   <b>verify</b> ]	Displays the contents of the rollback log.

Use the **clear checkpoint database** command to delete all checkpoint files.



**Note** When a **checkpoint** is created, you can view the default configuration **priority-flow-control mode auto** using the **show run all** command. You cannot view the configuration **priority-flow-control mode auto** using the **show run** command for the interface.

## Configuration Example for Rollback

This example shows how to create a checkpoint file and then implements a best-effort rollback to a user checkpoint name:

```
checkpoint stable
rollback running-config checkpoint stable best-effort
```

# Additional References

## Related Documents

Related Topic	Document Title
Rollback CLI commands	<i>Cisco Nexus 7000 Series NX-OS System Management Command Reference</i>
VDCs	<i>Cisco Nexus 7000 Series NX-OS Virtual Device Context Configuration Guide</i>
Configuration files	<i>Cisco Nexus 7000 Series NX-OS Fundamentals Configuration Guide</i>

## Feature History for Rollback

The table below summarizes the new and changed features for this document and shows the releases in which each feature is supported. Your software release might not support all the features in this document. For the latest caveats and feature information, see the Bug Search Tool at <https://tools.cisco.com/bugsearch/> and the release notes for your software release.

**Table 17: Feature History for Rollback**

Feature Name	Releases	Feature Information
High Availability	4.2(1)	Checkpoint and rollback operations support high availability.
Guidelines and Limitations	4.2(1)	Checkpoint file naming conventions changed.
Automatically generated system checkpoints	4.2(1)	The software automatically generates a system checkpoint when disabling a feature or license expiration could cause loss of configuration information.
Guidelines and Limitations	4.1(3)	A rollback fails for NetFlow if during rollback, you try to modify a record that is programmed in the hardware.  A rollback is not supported for checkpoints across software versions.





## CHAPTER 10

# Configuring Session Manager

---

This chapter describes how to configure Session Manager on Cisco NX-OS devices.

This chapter contains the following sections:

- [Finding Feature Information, on page 155](#)
- [About Session Manager, on page 155](#)
- [Licensing Requirements for Session Manager, on page 156](#)
- [Prerequisites for Session Manager, on page 156](#)
- [Guidelines and Limitations for Session Manager, on page 156](#)
- [Configuring Session Manager, on page 157](#)
- [Verifying the Session Manager Configuration, on page 159](#)
- [Configuration Example for Session Manager, on page 159](#)
- [Additional References, on page 160](#)
- [Feature History for Session Manager, on page 160](#)

## Finding Feature Information

Your software release might not support all the features documented in this module. For the latest caveats and feature information, see the Bug Search Tool at <https://tools.cisco.com/bugsearch/> and the release notes for your software release. To find information about the features documented in this module, and to see a list of the releases in which each feature is supported, see the "New and Changed Information" chapter or the Feature History table in this chapter.

## About Session Manager

Session Manager allows you to implement your configuration changes in batch mode. Session Manager works in the following phases:

- **Configuration session**—Creates a list of commands that you want to implement in Session Manager mode.
- **Validation**—Provides a basic semantic check on your configuration. Cisco NX-OS returns an error if the semantic check fails on any part of the configuration.

- **Verification**—Verifies the configuration as a whole, based on the existing hardware and software configuration and resources. Cisco NX-OS returns an error if the configuration does not pass this verification phase.
- **Commit**—Cisco NX-OS verifies the complete configuration and applies the changes to the device. If a failure occurs, Cisco NX-OS reverts to the original configuration.
- **Abort**—Discards the configuration changes before implementation.

You can optionally end a configuration session without committing the changes. You can also save a configuration session.

## High Availability

Session Manager sessions remain available after a supervisor switchover. Sessions are not persistent across a software reload.

## Virtualization Support

By default, Cisco NX-OS places you in the default VDC. See the *Cisco Nexus 7000 Series NX-OS Virtual Device Context Configuration Guide*.

## Licensing Requirements for Session Manager

Product	License Requirement
Cisco NX-OS	Session Manager requires no license. Any feature not included in a license package is bundled with the nx-os image and is provided at no extra charge to you. For a complete explanation of the Cisco NX-OS licensing scheme, see the <i>Cisco NX-OS Licensing Guide</i> .

## Prerequisites for Session Manager

Make sure that you have the privilege level required to support the Session Manager commands that you plan to use.

If you configure VDCs, install the appropriate license and go to the specific VDC. See the *Cisco Nexus 7000 Series NX-OS Virtual Device Context Configuration Guide* for configuration information and the *Cisco NX-OS Licensing Guide* for licensing information.

## Guidelines and Limitations for Session Manager

Session Manager has the following configuration guidelines and limitations:

- Session Manager supports only access control list (ACL) and quality of service (QoS) features.

- You can create up to 32 configuration sessions.
- You cannot issue an in-service software upgrade (ISSU) if an active session is in progress. You must commit the session, save it, or abort it before issuing an ISSU.
- You can configure a maximum of 20,000 commands across all sessions.
- You cannot simultaneously execute configuration commands in more than one configuration session or configuration terminal mode. Parallel configurations (for example, one configuration session and one configuration terminal) might cause validation or verification failures in the configuration session.
- If an interface reloads while you are configuring that interface in a configuration session, Session Manager may accept the commands even though the interface is not present in the device at that time.

## Configuring Session Manager



**Note** Be aware that the Cisco NX-OS commands might differ from Cisco IOS commands.

### Creating a Session

You can create up to 32 configuration sessions.

#### Procedure

	Command or Action	Purpose
<b>Step 1</b>	<b>configure session</b> <i>name</i> <b>Example:</b> switch# configure session myACLs switch(config-s)#	Creates a configuration session and enters session configuration mode. The name can be any alphanumeric string.  Displays the contents of the session.
<b>Step 2</b>	(Optional) <b>show configuration session</b> [ <i>name</i> ] <b>Example:</b> switch(config-s)# show configuration session myACLs	Displays the contents of the session.
<b>Step 3</b>	(Optional) <b>save</b> <i>location</i> <b>Example:</b> switch(config-s)# save bootflash:sessions/myACLs	Saves the session to a file. The location can be in bootflash:, slot0:, or volatile:.

### Configuring ACLs in a Session

You can configure ACLs within a configuration session.

**Procedure**

	<b>Command or Action</b>	<b>Purpose</b>
<b>Step 1</b>	<b>configure session</b> <i>name</i>  <b>Example:</b> switch# configure session myacls switch(config-s)#	Creates a configuration session and enters session configuration mode. The name can be any alphanumeric string.
<b>Step 2</b>	<b>ip access-list</b> <i>name</i>  <b>Example:</b> switch(config-s)# ip access-list acl1 switch(config-s-acl)#	Creates an ACL and enters a configuration mode for that ACL.
<b>Step 3</b>	(Optional) <b>permit</b> <i>protocol source destination</i>  <b>Example:</b> switch(config-s-acl)# permit tcp any any	Adds a permit statement to the ACL.
<b>Step 4</b>	<b>interface</b> <i>interface-type number</i>  <b>Example:</b> switch(config-s-acl)# interface e 2/1 switch(config-s-if)#	Enters interface configuration mode.
<b>Step 5</b>	<b>ip access-group</b> <i>name {in   out}</i>  <b>Example:</b> switch(config-s-if)# ip access-group acl1 in	Specifies the direction of traffic the access group is applied to.
<b>Step 6</b>	(Optional) <b>show configuration session</b> [ <i>name</i> ]  <b>Example:</b> switch(config-s)# show configuration session myacls	Displays the contents of the session.

## Verifying a Session

Use the following command in session mode to verify a session:

<b>Command</b>	<b>Purpose</b>
<b>verify</b> [ <i>verbose</i> ]  <b>Example:</b> switch(config-s)# verify	Verifies the configuration as a whole, based on the existing hardware and software configuration and resources. Cisco NX-OS returns an error if the configuration does not pass this verification.

## Committing a Session

Use the following command in session mode to commit a session:

Command	Purpose
<b>commit</b> [ <i>verbose</i> ] <b>Example:</b> <pre>switch(config-s)# commit</pre>	Validates the configuration changes made in the current session and applies valid changes to the device. If the validation fails, Cisco NX-OS reverts to the original configuration.

## Saving a Session

Use the following command in session mode to save a session:

Command	Purpose
<b>save</b> <i>location</i> <b>Example:</b> <pre>switch(config-s)# save bootflash:sessions/myACLs</pre>	(Optional) Saves the session to a file. The location can be in bootflash:, slot0:, or volatile:.

## Discarding a Session

Use the following command in session mode to discard a session:

Command	Purpose
<b>abort</b> <b>Example:</b> <pre>switch(config-s)# abort switch#</pre>	Discards the configuration session without applying the changes.

## Verifying the Session Manager Configuration

To display the Session Manager configuration information, perform one of the following tasks:

Command	Purpose
<b>show configuration session</b> [ <i>name</i> ]	Displays the contents of the configuration session.
<b>show configuration session status</b> [ <i>name</i> ]	Displays the status of the configuration session.
<b>show configuration session summary</b>	Displays a summary of all the configuration sessions.

## Configuration Example for Session Manager

This example shows how to create and commit an ACL configuration using Session Manager:

```

switch# configure session ACL_tcp_in
Config Session started, Session ID is 1
Enter configuration commands, one per line. End with CNTL/Z.
switch(config-s)# ip access-list ACL1
switch(config-s-acl)# permit tcp any any
switch(config)# interface e 7/1
switch(config-if)# ip access-group ACL1 in
switch(config-if)# exit
switch(config)# exit
switch# config session ACL_tcp_in
Config Session started, Session ID is 1
Enter configuration commands, one per line. End with CNTL/Z.
switch(config-s)# verify
Verification Successful
switch(config-s)# commit
Commit Successful
switch#

```

## Additional References

### Related Documents

Related Topic	Document Title
Session Manager CLI commands	<i>Cisco Nexus 7000 Series NX-OS System Management Command Reference</i>
VDCs	<i>Cisco Nexus 7000 Series NX-OS Virtual Device Context Configuration Guide</i>
Configuration files	<i>Cisco Nexus 7000 Series NX-OS Fundamentals Configuration Guide</i>

## Feature History for Session Manager

The table below summarizes the new and changed features for this document and shows the releases in which each feature is supported. Your software release might not support all the features in this document. For the latest caveats and feature information, see the Bug Search Tool at <https://tools.cisco.com/bugsearch/> and the release notes for your software release.

**Table 18: Feature History for Session Manager**

Feature Name	Releases	Feature Information
Session Manager	4.0(1)	This feature was introduced.



# CHAPTER 11

## Configuring the Scheduler

---

This chapter describes how to configure the scheduler on Cisco NX-OS devices.

This chapter includes the following sections:

- [Finding Feature Information, on page 161](#)
- [About the Scheduler, on page 161](#)
- [Licensing Requirements for the Scheduler, on page 163](#)
- [Prerequisites for the Scheduler, on page 163](#)
- [Guidelines and Limitations for the Scheduler, on page 163](#)
- [Default Settings for the Scheduler, on page 163](#)
- [Configuring the Scheduler, on page 164](#)
- [Verifying the Scheduler Configuration, on page 168](#)
- [Configuration Examples for the Scheduler, on page 168](#)
- [Related Documents, on page 170](#)
- [Feature History for the Scheduler, on page 170](#)

### Finding Feature Information

Your software release might not support all the features documented in this module. For the latest caveats and feature information, see the Bug Search Tool at <https://tools.cisco.com/bugsearch/> and the release notes for your software release. To find information about the features documented in this module, and to see a list of the releases in which each feature is supported, see the "New and Changed Information" chapter or the Feature History table in this chapter.

### About the Scheduler

The scheduler allows you to define and set a timetable for maintenance activities such as the following:

- Quality of service (QoS) policy changes
- Data backup
- Saving a configuration

Jobs consist of a single command or multiple commands that define routine activities. Jobs can be scheduled one time or at periodic intervals.

The scheduler defines a job and its timetable as follows:

- Job—A routine task or tasks defined as a command list and completed according to a specified schedule.
- Schedule—The timetable for completing a job. You can assign multiple jobs to a schedule. A schedule is defined as either periodic or one-time only:
  - Periodic mode—A recurring interval that continues until you delete the job. You can configure the following types of intervals:
    - Daily—A job is completed once a day.
    - Weekly—A job is completed once a week.
    - Monthly—A job is completed once a month.
    - Delta—A job begins at the specified start time and then at specified intervals (days:hours:minutes).
  - One-time mode—A job is completed only once at a specified time.

## Remote User Authentication

Before starting a job, the scheduler authenticates the user who created the job. Since user credentials from a remote authentication are not retained long enough to support a scheduled job, you need to locally configure the authentication passwords for users who create jobs. These passwords are part of the scheduler configuration and are not considered a locally configured user.

Before starting the job, the scheduler validates the local password against the password from the remote authentication server.

## Logs

The scheduler maintains a log file containing the job output. If the size of the job output is greater than the size of the log file, the output is truncated.

## High Availability

Scheduled jobs remain available after a supervisor switchover or a software reload.

## Virtualization Support

Jobs are created in the virtual device context (VDC) that you are logged into. By default, Cisco NX-OS places you in the default VDC. For more information, see the *Cisco Nexus 7000 Series NX-OS Virtual Device Context Configuration Guide*.



## Licensing Requirements for the Scheduler

Product	License Requirement
Cisco NX-OS	The scheduler requires no license. Any feature not included in a license package is bundled with the nx-os image and is provided at no extra charge to you. For a complete explanation of the Cisco NX-OS licensing scheme, see the <i>Cisco NX-OS Licensing Guide</i> .

## Prerequisites for the Scheduler

The scheduler has the following prerequisites:

- You must enable any conditional features before you can configure those features in a job.
- You must have a valid license installed for any licensed features that you want to configure in the job.
- You must have network-admin user privileges to configure a scheduled job.

## Guidelines and Limitations for the Scheduler

The scheduler has the following configuration guidelines and limitations:

- The scheduler can fail if it encounters one of the following while performing a job:
  - If the license has expired for a feature at the time the job for that feature is scheduled.
  - If a feature is disabled at the time when a job for that feature is scheduled.
  - If you have removed a module from a slot and a job for that slot is scheduled.
- Verify that you have configured the time. The scheduler does not apply a default timetable. If you create a schedule and assign jobs and do not configure the time, the job is not started.
- While defining a job, verify that no interactive or disruptive commands (for example, **copy bootflash: file ftp: URI**, **write erase**, and other similar commands) are specified because the job is started and conducted noninteractively.

## Default Settings for the Scheduler

This table lists the scheduler default settings.

Parameters	Default
Scheduler state	Disabled

Parameters	Default
Log file size	16 KB

## Configuring the Scheduler

### Enabling or Disabling the Scheduler

You can enable the scheduler feature so that you can configure and schedule jobs, or you can disable the scheduler feature after it has been enabled.

#### Procedure

	Command or Action	Purpose
<b>Step 1</b>	switch# <b>configure terminal</b>	Enters global configuration mode.
<b>Step 2</b>	switch(config)# <b>[no] feature scheduler</b>	Enables or disables the scheduler.
<b>Step 3</b>	(Optional) switch(config)# <b>show scheduler config</b>	Displays the scheduler configuration.
<b>Step 4</b>	(Optional) switch(config)# <b>copy running-config startup-config</b>	Copies the running configuration to the startup configuration.

### Defining the Scheduler Log File Size

You can configure the log file size for capturing jobs, schedules, and job output.

#### Procedure

	Command or Action	Purpose
<b>Step 1</b>	switch# <b>configure terminal</b>	Enters global configuration mode.
<b>Step 2</b>	switch(config)# <b>scheduler logfile size value</b>	Defines the scheduler log file size in kilobytes. The range is from 16 to 1024. The default is 16.  <b>Note</b> If the size of the job output is greater than the size of the log file, then the output is truncated.
<b>Step 3</b>	(Optional) switch(config)# <b>copy running-config startup-config</b>	Copies the running configuration to the startup configuration.

### Configuring Remote User Authentication

You can configure the scheduler to use remote authentication for users who want to configure and schedule jobs.



**Note** Remote users must authenticate with their clear text password before creating and configuring jobs.



**Note** Remote user passwords are always shown in encrypted form in the output of the **show running-config** command. The encrypted option (7) in the command supports the ASCII device configuration.

### Procedure

	Command or Action	Purpose
<b>Step 1</b>	switch# <b>configure terminal</b>	Enters global configuration mode.
<b>Step 2</b>	switch(config)# <b>scheduler aaa-authentication password [0   7] password</b>	Configures a cleartext password for the user who is currently logged in.
<b>Step 3</b>	switch(config)# <b>scheduler aaa-authentication username name password [0   7] password</b>	Configures a cleartext password for a remote user.
<b>Step 4</b>	(Optional) switch(config)# <b>show running-config   include "scheduler aaa-authentication"</b>	Displays the scheduler password information.
<b>Step 5</b>	(Optional) switch(config)# <b>copy running-config startup-config</b>	Copies the running configuration to the startup configuration.

## Defining a Job

You can define a job including the job name and the command sequence.



**Caution** Once a job is defined, you cannot modify or remove a command. To change the job, you must delete it and create a new one.

### Procedure

	Command or Action	Purpose
<b>Step 1</b>	switch# <b>configure terminal</b>	Enters global configuration mode.
<b>Step 2</b>	switch(config)# <b>scheduler job name string</b>	Creates a job and enters job configuration mode. This example creates a scheduler job named backup-cfg.
<b>Step 3</b>	switch(config-job)# <b>command1 ;[command2 ;command3 ;...]</b>	Defines the sequence of commands for the specified job. You must separate commands with a space and a semicolon (for example, " ;").

	Command or Action	Purpose
		This example creates a scheduler job that saves the running configuration to a file in bootflash and then copies the file from bootflash to a TFTP server. The filename is created using the current time stamp and switch name.
<b>Step 4</b>	(Optional) switch(config-job)# <b>show scheduler job [name name]</b>	Displays the job information.
<b>Step 5</b>	(Optional) switch(config)# <b>copy running-config startup-config</b>	Copies the running configuration to the startup configuration.

## Deleting a Job

You can delete a job from the scheduler.

### Procedure

	Command or Action	Purpose
<b>Step 1</b>	switch# <b>configure terminal</b>	Enters global configuration mode.
<b>Step 2</b>	switch(config)# <b>no scheduler job name string</b>	Deletes the specified job and all commands defined within it.
<b>Step 3</b>	(Optional) switch(config-job)# <b>show scheduler job [name name]</b>	Displays the job information.
<b>Step 4</b>	(Optional) switch(config)# <b>copy running-config startup-config</b>	Copies the running configuration to the startup configuration.

## Defining a Timetable

You can define a timetable in the scheduler to be used with one or more jobs.

If you do not specify the time for the **time** commands, the scheduler assumes the current time. For example, if the current time is March 24, 2013, 22:00 hours, jobs are started as follows:

- For the **time start 23:00 repeat 4:00:00** command, the scheduler assumes a start time of March 24, 2013, 23:00 hours.
- For the **time daily 55** command, the scheduler assumes a start time every day at 22:55 hours.
- For the **time weekly 23:00** command, the scheduler assumes a start time every Friday at 23:00 hours.
- For the **time monthly 23:00** command, the scheduler assumes a start time on the 24th of every month at 23:00 hours.



**Note** The scheduler will not begin the next occurrence of a job before the last one completes. For example, you have scheduled a job to be completed at one-minute intervals beginning at 22:00; but the job requires two minutes to complete. The scheduler starts the first job at 22:00, completes it at 22:02, and then observes a one-minute interval before starting the next job at 22:03.

### Procedure

	Command or Action	Purpose
<b>Step 1</b>	switch# <b>configure terminal</b>	Enters global configuration mode.
<b>Step 2</b>	switch(config)# <b>scheduler schedule name</b> <i>string</i>	Creates a new schedule and places you in schedule configuration mode for that schedule.
<b>Step 3</b>	switch(config-schedule)# <b>job name</b> <i>string</i>	Associates a job with this schedule. You can add multiple jobs to a schedule.
<b>Step 4</b>	switch(config-schedule)# <b>time daily</b> <i>time</i>	Indicates the job starts every day at a designated time specified as HH:MM.
<b>Step 5</b>	switch(config-schedule)# <b>time weekly</b> [[ <i>dow</i> :]HH:]MM	Indicates that the job starts on a specified day of the week.  Day of the week ( <i>dow</i> ) specified as one of the following: <ul style="list-style-type: none"> <li>• An integer such as 1 = Sunday, 2 = Monday, and so on.</li> <li>• An abbreviation such as Sun = Sunday.</li> </ul> The maximum length for the entire argument is 10.
<b>Step 6</b>	switch(config-schedule)# <b>time monthly</b> [[ <i>dm</i> :]HH:]MM	Indicates the job starts on a specified day each month ( <i>dm</i> ). If you specify either 29, 30, or 31, the job is started on the last day of each month.
<b>Step 7</b>	switch(config-schedule)# <b>time start</b> { <b>now</b> <b>repeat</b> <i>repeat-interval</i>   <i>delta-time</i> [ <b>repeat</b> <i>repeat-interval</i> ]}	Indicates the job starts periodically.  The start-time format is [[[[ <i>yyyy</i> :]mmm:]dd:]HH]:MM. <ul style="list-style-type: none"> <li>• <i>delta-time</i>—Specifies the amount of time to wait after the schedule is configured before starting a job.</li> <li>• <b>now</b>—Specifies that the job starts now.</li> <li>• <b>repeat</b> <i>repeat-interval</i>—Specifies the frequency at which the job is repeated.</li> </ul>

	Command or Action	Purpose
		In this example, the job starts immediately and repeats every 48 hours.
<b>Step 8</b>	(Optional) switch(config)# <b>show scheduler config</b>	Displays the scheduler configuration.
<b>Step 9</b>	(Optional) switch(config)# <b>copy running-config startup-config</b>	Copies the running configuration to the startup configuration.

## Clearing the Scheduler Log File

You can clear the scheduler log file.

### Procedure

	Command or Action	Purpose
<b>Step 1</b>	switch# <b>configure terminal</b>	Enters global configuration mode.
<b>Step 2</b>	switch(config)# <b>clear scheduler logfile</b>	Clears the scheduler log file.

## Verifying the Scheduler Configuration

To display the scheduler configuration information, perform one of the following tasks:

Command	Purpose
<b>show scheduler config</b>	Displays the scheduler configuration.
<b>show scheduler job [name string]</b>	Displays the jobs configured.
<b>show scheduler logfile</b>	Displays the contents of the scheduler log file.
<b>show scheduler schedule [name string]</b>	Displays the schedules configured.

## Configuration Examples for the Scheduler

### Creating a Scheduler Job

This example shows how to create a scheduler job that saves the running configuration to a file in bootflash and then copies the file from bootflash to a TFTP server (the filename is created using the current time stamp and switch name):

```
switch# configure terminal
switch(config)# scheduler job name backup-cfg
switch(config-job)# cli var name timestamp $(TIMESTAMP) ;copy running-config
bootflash:/${(SWITCHNAME)}-cfg.$(timestamp) ;copy bootflash:/${(SWITCHNAME)}-cfg.$(timestamp)
tftp://1.2.3.4/ vrf management
switch(config-job)# end
```

```
switch(config)#
```

## Scheduling a Scheduler Job

This example shows how to schedule a scheduler job called backup-cfg to run daily at 1 a.m.:

```
switch# configure terminal
switch(config)# scheduler schedule name daily
switch(config-if)# job name backup-cfg
switch(config-if)# time daily 1:00
switch(config-if)# end
switch(config)#
```

## Displaying the Job Schedule

This example shows how to display the job schedule:

```
switch# show scheduler schedule
Schedule Name : daily
-----
User Name : admin
Schedule Type : Run every day at 1 Hrs 00 Mins
Last Execution Time : Fri Jan 2 1:00:00 2013
Last Completion Time: Fri Jan 2 1:00:01 2013
Execution count : 2
-----
Job Name Last Execution Status
-----
back-cfg Success (0)
switch#
```

## Displaying the Results of Running Scheduler Jobs

This example shows how to display the results of scheduler jobs that have been executed by the scheduler:

```
switch# show scheduler logfile
Job Name : back-cfg Job Status: Failed (1)
Schedule Name : daily User Name : admin
Completion time: Fri Jan 1 1:00:01 2013
----- Job Output -----
`cli var name timestamp 2013-01-01-01.00.00`
`copy running-config bootflash:/${(HOSTNAME)}-cfg.${(timestamp)}`
`copy bootflash:/switch-cfg.2013-01-01-01.00.00 tftp://1.2.3.4/ vrf management `
copy: cannot access file '/bootflash/switch-cfg.2013-01-01-01.00.00'
=====
Job Name : back-cfg Job Status: Success (0)
Schedule Name : daily User Name : admin
Completion time: Fri Jan 2 1:00:01 2013
----- Job Output -----
`cli var name timestamp 2013-01-02-01.00.00`
`copy running-config bootflash:/switch-cfg.2013-01-02-01.00.00`
`copy bootflash:/switch-cfg.2013--01-02-01.00.00 tftp://1.2.3.4/ vrf management `
Connection to Server Established.
[ ] 0.50KBTrying to connect to tftp server.....
[##### ] 24.50KB
TFTP put operation was successful
=====
```

switch#

## Related Documents

Related Topic	Document Title
Scheduler CLI commands	<i>Cisco Nexus 7000 Series NX-OS System Management Command Reference</i>
VDCs	<i>Cisco Nexus 7000 Series NX-OS Virtual Device Context Configuration Guide</i>

## Feature History for the Scheduler

The table below summarizes the new and changed features for this document and shows the releases in which each feature is supported. Your software release might not support all the features in this document. For the latest caveats and feature information, see the Bug Search Tool at <https://tools.cisco.com/bugsearch/> and the release notes for your software release.

**Table 19: Feature History for the Scheduler**

Feature Name	Releases	Feature Information
Scheduler	4.0(1)	This feature was introduced.





## CHAPTER 12

# Configuring SNMP

---

This chapter describes how to configure the SNMP feature on Cisco NX-OS devices.

This chapter contains the following sections:

- [Finding Feature Information, on page 171](#)
- [About SNMP, on page 171](#)
- [Licensing Requirements for SNMP, on page 178](#)
- [Prerequisites for SNMP, on page 178](#)
- [Guidelines and Limitations for SNMP, on page 179](#)
- [Default Settings for SNMP, on page 179](#)
- [Configuring SNMP, on page 179](#)
- [Verifying SNMP Configuration, on page 203](#)
- [Configuration Examples for SNMP, on page 203](#)
- [Additional References, on page 205](#)
- [Feature History for SNMP, on page 206](#)

## Finding Feature Information

Your software release might not support all the features documented in this module. For the latest caveats and feature information, see the Bug Search Tool at <https://tools.cisco.com/bugsearch/> and the release notes for your software release. To find information about the features documented in this module, and to see a list of the releases in which each feature is supported, see the "New and Changed Information" chapter or the Feature History table in this chapter.

## About SNMP

The Simple Network Management Protocol (SNMP) is an application-layer protocol that provides a message format for communication between SNMP managers and agents. SNMP provides a standardized framework and a common language used for the monitoring and management of devices in a network.

## SNMP Functional Overview

The SNMP framework consists of three parts:

- An SNMP manager—The system used to control and monitor the activities of network devices using SNMP.
- An SNMP agent—The software component within the managed device that maintains the data for the device and reports these data, as needed, to managing systems. The Cisco Nexus device supports the agent and MIB. To enable the SNMP agent, you must define the relationship between the manager and the agent.
- A managed information base (MIB)—The collection of managed objects on the SNMP agent

SNMP is defined in RFCs 3411 to 3418.

The device supports SNMPv1, SNMPv2c, and SNMPv3. Both SNMPv1 and SNMPv2c use a community-based form of security.

Cisco NX-OS supports SNMP over IPv6.

## SNMP Notifications

A key feature of SNMP is the ability to generate notifications from an SNMP agent. These notifications do not require that requests be sent from the SNMP manager. Notifications can indicate improper user authentication, restarts, the closing of a connection, loss of connection to a neighbor router, or other significant events.

Cisco NX-OS generates SNMP notifications as either traps or informs. A trap is an asynchronous, unacknowledged message sent from the agent to the SNMP managers listed in the host receiver table. Informs are asynchronous messages sent from the SNMP agent to the SNMP manager which the manager must acknowledge receipt of.

Traps are less reliable than informs because the SNMP manager does not send any acknowledgment when it receives a trap. The device cannot determine if the trap was received. An SNMP manager that receives an inform request acknowledges the message with an SNMP response protocol data unit (PDU). If the device never receives a response, it can send the inform request again.

You can configure Cisco NX-OS to send notifications to multiple host receivers.

The following table lists the SNMP traps that are enabled by default.

Trap Type	Description
generic	: coldStart
generic	: warmStart
entity	: entity_mib_change
entity	: entity_module_status_change
entity	: entity_power_status_change
entity	: entity_module_inserted
entity	: entity_module_removed
entity	: entity_unrecognised_module
entity	: entity_fan_status_change
entity	: entity_power_out_change

Trap Type	Description
link	: linkDown
link	: linkUp
link	: extended-linkDown
link	: extended-linkUp
link	: cieLinkDown
link	: cieLinkUp
link	: delayed-link-state-change
rf	: redundancy_framework
license	: notify-license-expiry
license	: notify-no-license-for-feature
license	: notify-licensefile-missing
license	: notify-license-expiry-warning
upgrade	: UpgradeOpNotifyOnCompletion
upgrade	: UpgradeJobStatusNotify
rmon	: risingAlarm
rmon	: fallingAlarm
rmon	: hcRisingAlarm
rmon	: hcFallingAlarm
entity	: entity_sensor

## SNMPv3

SNMPv3 provides secure access to devices by a combination of authenticating and encrypting frames over the network. The security features provided in SNMPv3 are the following:

- Message integrity—Ensures that a packet has not been tampered with in-transit.
- Authentication—Determines the message is from a valid source.
- Encryption—Scrambles the packet contents to prevent it from being seen by unauthorized sources.

SNMPv3 provides for both security models and security levels. A security model is an authentication strategy that is set up for a user and the role in which the user resides. A security level is the permitted level of security within a security model. A combination of a security model and a security level determines which security mechanism is employed when handling an SNMP packet.

### Security Models and Levels for SNMPv1, v2, v3

The security level determines if an SNMP message needs to be protected from disclosure and if the message needs to be authenticated. The various security levels that exist within a security model are as follows:

- noAuthNoPriv—Security level that does not provide authentication or encryption.
- authNoPriv—Security level that provides authentication but does not provide encryption.
- authPriv—Security level that provides both authentication and encryption.

Three security models are available: SNMPv1, SNMPv2c, and SNMPv3. The security model combined with the security level determine the security mechanism applied when the SNMP message is processed. The following table identifies what the combinations of security models and levels mean.



**Note** noAuthnoPriv is not supported in SNMPv3.

*Table 20: SNMP Security Models and Levels*

Model	Level	Authentication	Encryption	What Happens
v1	noAuthNoPriv	Community string	No	Uses a community string match for authentication.
v2c	noAuthNoPriv	Community string	No	Uses a community string match for authentication.
v3	noAuthNoPriv	Username	No	Uses a username match for authentication.
v3	authNoPriv	HMAC-MD5 or HMAC-SHA	No	Provides authentication based on the Hash-Based Message Authentication Code (HMAC) Message Digest 5 (MD5) algorithm or the HMAC Secure Hash Algorithm (SHA).

Model	Level	Authentication	Encryption	What Happens
v3	authPriv	HMAC-MD5 or HMAC-SHA	DES	Provides authentication based on the HMAC-MD5 or HMAC-SHA algorithms. Provides Data Encryption Standard (DES) 56-bit encryption in addition to authentication based on the Cipher Block Chaining (CBC) DES (DES-56) standard.

## User-Based Security Model

The SNMPv3 User-Based Security Model (USM) refers to SNMP message-level security and offers the following services:

- Message integrity—Ensures that messages have not been altered or destroyed in an unauthorized manner and that data sequences have not been altered to an extent greater than can occur nonmaliciously.
- Message origin authentication—Ensures that the claimed identity of the user on whose behalf received data was originated is confirmed.
- Message confidentiality—Ensures that information is not made available or disclosed to unauthorized individuals, entities, or processes.

SNMPv3 authorizes management operations only by configured users and encrypts SNMP messages.

Cisco NX-OS uses two authentication protocols for SNMPv3:

- HMAC-MD5-96 authentication protocol
- HMAC-SHA-96 authentication protocol

Cisco NX-OS uses Advanced Encryption Standard (AES) as one of the privacy protocols for SNMPv3 message encryption and conforms with RFC 3826.

The **priv** option offers a choice of DES or 128-bit AES encryption for SNMP security encryption. The **priv** option and the **aes-128** token indicate that this privacy password is for generating a 128-bit AES key. The AES priv password can have a minimum of eight characters. If the passphrases are specified in clear text, you can specify a maximum of 64 case-sensitive, alphanumeric characters. If you use the localized key, you can specify a maximum of 130 characters.



**Note** For an SNMPv3 operation using the external AAA server, you must use AES for the privacy protocol in the user configuration on the external AAA server.

## CLI and SNMP User Synchronization

SNMPv3 user management can be centralized at the Access Authentication and Accounting (AAA) server level. This centralized user management allows the SNMP agent in Cisco NX-OS to leverage the user authentication service of the AAA server. Once user authentication is verified, the SNMP PDUs are processed further. Additionally, the AAA server is also used to store user group names. SNMP uses the group names to apply the access/role policy that is locally available in the switch.

Any configuration changes made to the user group, role, or password results in database synchronization for both SNMP and AAA.

Cisco NX-OS synchronizes the user configuration in the following ways:

- The authentication passphrase specified in the **snmp-server user** command becomes the password for the CLI user.
- The password specified in the **username** command becomes the authentication and privacy passphrases for the SNMP user.
- If you create or delete a user using either SNMP or the CLI, the user is created or deleted for both SNMP and the CLI.
- User-role mapping changes are synchronized in SNMP and the CLI.
- Role changes (deletions or modifications) from the CLI are synchronized to SNMP.



**Note** When you configure a passphrase/password in localized key/encrypted format, Cisco NX-OS does not synchronize the user information (passwords, roles, and so on).

Cisco NX-OS holds the synchronized user configuration for 60 minutes by default.

## AAA Exclusive Behavior in SNMPv3 Servers

The AAA exclusive behavior feature enables you to authenticate users based on location.

A unique SNMPv3 user is not authenticated if the user is not a local user or a remote AAA user. If the user exists in both the local and remote database, the user will be authenticated or rejected based on whether AAA exclusive behavior is enabled or not.

**Table 21: AAA Exclusive Behavior Scenarios**

User Location	AAA Server	AAA Exclusive Behavior	User Authentication
Local user database	Disabled	Enabled	User is authenticated.
Local user database	Enabled	Enabled	User is not authenticated.
Local user database	Enabled	Disabled	User is authenticated.
Local user database	Disabled	Disabled	User is authenticated.
Remote and local user databases (same username)	Enabled	Enabled	Remote user is authenticated, but the local user is not authenticated. <sup>1</sup>

Remote and local user databases (same username)	Disabled	Enabled	Local user is authenticated, but the remote user is not authenticated.
Remote and local user databases (same username)	Disabled	Disabled	Local user is authenticated, but the remote user is not authenticated.
Remote and local user databases (same username)	Enabled	Disabled	Local user is authenticated, but the remote user is not authenticated.

<sup>1</sup> This works only when there is FM/DM concept from NMS server where it syncs user credentials automatically to the N7k switch which results in expected SNMP walk output. Otherwise, the user credentials will not sync to switch and should be done manually using hidden CLI on switch.



**Note** When AAA servers are unreachable, a fallback option can be configured on the server so that a user is validated against the local user database. The SNMPv3 server returns an error if the user is not available in the local database or in the remote user database. The SNMPv3 server returns an “Unknown user” message without checking the availability of AAA servers when a user is not available in the remote user database.

## Group-Based SNMP Access



**Note** Because *group* is a standard SNMP term used industry-wide, we refer to roles as groups in this SNMP section.

SNMP access rights are organized by groups. Each group in SNMP is similar to a role through the CLI. Each group is defined with read access or read-write access.

You can begin communicating with the agent once your username is created, your roles are set up by your administrator, and you are added to the roles.

## SNMP and Embedded Event Manager

The Embedded Event Manager (EEM) feature monitors events, including SNMP MIB objects, and triggers an action based on these events. One of the actions could be to send an SNMP notification. EEM sends the cEventMgrPolicyEvent of CISCO-EMBEDDED-EVENT-MGR-MIB as the SNMP notification.

## Multiple Instance Support

A device can support multiple instances of a logical network entity, such as protocol instances or virtual routing and forwarding (VRF) instances. Most existing MIBs cannot distinguish between these multiple logical network entities. For example, the original OSPF-MIB assumes a single protocol instance on a device, but you can now configure multiple OSPF instances on a device.

SNMPv3 uses contexts to distinguish between these multiple instances. An SNMP context is a collection of management information that you can access through the SNMP agent. A device can support multiple contexts

for different logical network entities. An SNMP context allows the SNMP manager to access one of the multiple instances of a MIB module supported on the device for the different logical network entities.

Cisco NX-OS supports the CISCO-CONTEXT-MAPPING-MIB to map between SNMP contexts and logical network entities. You can associate an SNMP context to a VRF, protocol instance, or topology.

SNMPv3 supports contexts with the contextName field of the SNMPv3 PDU. You can map this contextName field to a particular protocol instance or VRF.

For SNMPv2c, you can map the SNMP community to a context using the snmpCommunityContextName MIB object in the SNMP-COMMUNITY-MIB (RFC 3584). You can then map this snmpCommunityContextName to a particular protocol instance or VRF using the CISCO-CONTEXT-MAPPING-MIB or the CLI.

## High Availability for SNMP

Cisco NX-OS supports stateless restarts for SNMP. After a reboot or supervisor switchover, Cisco NX-OS applies the running configuration.

## Virtualization Support for SNMP

Cisco NX-OS supports one instance of the SNMP per virtual device context (VDC). By default, Cisco NX-OS places you in the default VDC. For more information, see the *Cisco Nexus 7000 Series NX-OS Virtual Device Context Configuration Guide*.

SNMP supports multiple MIB module instances and maps them to logical network entities. For more information, see the “Multiple Instance Support” section.

SNMP is also VRF aware. You can configure SNMP to use a particular VRF to reach the SNMP notification host receiver. You can also configure SNMP to filter notifications to an SNMP host receiver based on the VRF where the notification occurred. For more information, see the “Configuring SNMP Notification Receivers with VRFs” section.

## Licensing Requirements for SNMP

Product	License Requirement
Cisco NX-OS	SNMP requires no license. Any feature not included in a license package is bundled with the nx-os image and is provided at no extra charge to you. For a complete explanation of the Cisco NX-OS licensing scheme, see the <i>Cisco NX-OS Licensing Guide</i> .

## Prerequisites for SNMP

If you configure VDCs, install the appropriate license and enter the desired VDC. See the *Cisco Nexus 7000 Series NX-OS Virtual Device Context Configuration Guide* for configuration information and the *Cisco NX-OS Licensing Guide* for licensing information.



## Guidelines and Limitations for SNMP

SNMP has the following configuration guidelines and limitations:

- To clear snmp counters from an interface use the **clear counters interface all snmp** command, or this command can be applied per interface basis. This is done because there are different data structures for SNMP and CLI counters. This behavior is common across all Cisco Nexus platforms.
- Access control list (ACLs) can be applied only to local SNMPv3 users configured on the switch. ACLs cannot be applied to remote SNMPv3 users stored on Authentication, Authorization, and Accounting (AAA) servers.
- Cisco NX-OS supports read-only access to some SNMP MIBs. See the Cisco NX-OS MIB support list at the following URL for more information: <ftp://ftp.cisco.com/pub/mibs/supportlists/nexus7000/Nexus7000MIBSupportList.html>

## Default Settings for SNMP

The following table lists the default settings for SNMP parameters.

Parameters	Default
License notifications	Enabled

## Configuring SNMP



**Note** Be aware that the Cisco NX-OS commands for this feature may differ from those commands used in Cisco IOS.



**Note** You can configure up to 10 SNMP hosts on a device.

## Configuring SNMP Users

You can configure a user for SNMP.

### Procedure

	Command or Action	Purpose
<b>Step 1</b>	<b>configure terminal</b>  <b>Example:</b>	Enters global configuration mode.

	Command or Action	Purpose
	switch# configure terminal switch(config)#	
<b>Step 2</b>	<b>snmp-server user</b> <i>name</i> [auth {md5   sha} <i>passphrase</i> [auto] [priv [aes-128] <i>passphrase</i> ] [engineID <i>id</i> ] [localizedkey]]  <b>Example:</b> switch(config)# snmp-server user Admin auth sha abcd1234 priv abcdefgh	Configures an SNMP user with authentication and privacy parameters. The passphrase can be any case-sensitive, alphanumeric string up to 64 characters. If you use the <b>localizedkey</b> keyword, the passphrase can be any case-sensitive, alphanumeric string up to 130 characters.  The engineID format is a 12-digit, colon-separated decimal number.
<b>Step 3</b>	(Optional) <b>show snmp user</b>  <b>Example:</b> switch(config) # show snmp user	Displays information about one or more SNMP users.
<b>Step 4</b>	(Optional) <b>copy running-config startup-config</b>  <b>Example:</b> switch(config)# copy running-config startup-config	Copies the running configuration to the startup configuration.

## Enforcing SNMP Message Encryption

You can configure SNMP to require authentication or encryption for incoming requests. By default, the SNMP agent accepts SNMPv3 messages without authentication and encryption. When you enforce privacy, Cisco NX-OS responds with an authorization error for any SNMPv3 PDU request using a security level parameter of either **noAuthNoPriv** or **authNoPriv**.

### Procedure

	Command or Action	Purpose
<b>Step 1</b>	<b>configure terminal</b>  <b>Example:</b> switch# configure terminal switch(config)#	Enters global configuration mode.
<b>Step 2</b>	<b>snmp-server user</b> <i>name</i> <b>enforcePriv</b>  <b>Example:</b> switch(config)# snmp-server user Admin enforcePriv	Enforces SNMP message encryption for this user.
<b>Step 3</b>	<b>snmp-server globalEnforcePriv</b>  <b>Example:</b> switch(config)# snmp-server globalEnforcePriv	Enforces SNMP message encryption for all users.

	Command or Action	Purpose
<b>Step 4</b>	(Optional) <b>copy running-config startup-config</b>  <b>Example:</b> switch(config)# copy running-config startup-config	Copies the running configuration to the startup configuration.

## Assigning SNMPv3 Users to Multiple Roles

After you configure an SNMP user, you can assign multiple roles for the user.



**Note** Only users belonging to a network-admin role can assign roles to other users.

### Procedure

	Command or Action	Purpose
<b>Step 1</b>	<b>configure terminal</b>  <b>Example:</b> switch# configure terminal switch(config)#	Enters global configuration mode.
<b>Step 2</b>	<b>snmp-server user <i>name group</i></b>  <b>Example:</b> switch(config)# snmp-server user Admin superuser	Associates this SNMP user with the configured user role.
<b>Step 3</b>	(Optional) <b>copy running-config startup-config</b>  <b>Example:</b> switch(config)# copy running-config startup-config	Copies the running configuration to the startup configuration.

## Creating SNMP Communities

You can create SNMP communities for SNMPv1 or SNMPv2c.

### Procedure

	Command or Action	Purpose
<b>Step 1</b>	<b>configure terminal</b>  <b>Example:</b> switch# configure terminal switch(config)#	Enters global configuration mode.

	Command or Action	Purpose
<b>Step 2</b>	<b>snmp-server community</b> <i>name</i> { <b>group</b> <i>group</i>   <b>ro</b>   <b>rw</b> }  <b>Example:</b> <pre>switch(config)# snmp-server community public ro</pre>	Creates an SNMP community string.
<b>Step 3</b>	(Optional) <b>copy running-config startup-config</b>  <b>Example:</b> <pre>switch(config)# copy running-config startup-config</pre>	Copies the running configuration to the startup configuration.

## Filtering SNMP Requests

You can assign an access control list (ACL) to an SNMPv3 user or SNMPv3 community to filter incoming SNMP requests. If the assigned ACL allows the incoming request packet, SNMP processes the request. If the ACL denies the request, SNMP drops the request and sends a system message.

Create the ACL with the following parameters:

- Source IP address
- Destination IP address
- Source port
- Destination port
- Protocol (UDP or TCP)

### Procedure

	Command or Action	Purpose
<b>Step 1</b>	<b>configure terminal</b>  <b>Example:</b> <pre>switch# configure terminal switch(config)#</pre>	Enters global configuration mode.
<b>Step 2</b>	<b>snmp-server user</b> <i>name</i> [ <b>use-ipv4acl</b> <i>ipv4acl-name</i> ] [ <b>use-ipv6acl</b> <i>ipv6acl-name</i> ]  <b>Example:</b> <pre>switch(config)# snmp-server community public use-ipv4acl myacl</pre>	Assigns an IPv4 or IPv6 ACL to an SNMPv3 user to filter SNMP requests.  <b>Note</b> The AAA server must support the creation of SNMPv3 users.
<b>Step 3</b>	<b>snmp-server community</b> <i>name</i> [ <b>use-ipv4acl</b> <i>ipv4acl-name</i> ] [ <b>use-ipv6acl</b> <i>ipv6acl-name</i> ]  <b>Example:</b> <pre>switch(config)# snmp-server community public use-ipv4acl myacl</pre>	Assigns an IPv4 or IPv6 ACL to an SNMPv3 community to filter SNMP requests.

	Command or Action	Purpose
<b>Step 4</b>	(Optional) <b>copy running-config startup-config</b>  <b>Example:</b> <pre>switch(config)# copy running-config startup-config</pre>	Copies the running configuration to the startup configuration.

## Authenticating SNMPv3 Users Based on Location

You can authenticate local or remote SNMPv3 users based on their location.

Use the following command in global configuration mode to enable AAA exclusive behavior in SNMPv3 servers:

Command	Purpose
<b>snmp-server aaa exclusive-behavior enable</b>	<p>Enables the AAA exclusive behavior in SNMPv3 servers to authenticate users based on location.</p> <p>Depending on the location of the user and whether the AAA server is enabled, the exclusive behavior is as follows:</p> <ul style="list-style-type: none"> <li>• If the user is a local user and the AAA server is enabled, queries for the user will fail with an “Unknown user” message.</li> <li>• If the user is a remote AAA user and the AAA server is disabled, queries for the user will fail with an “Unknown user” message.</li> <li>• If the user is both a local user and a remote AAA user and the AAA server is enabled, the queries with remote credentials will succeed, and queries with local credentials will fail with an “Incorrect password” message. If the AAA server is disabled, queries with local remote credentials will succeed, and queries with remote credentials will fail with an “Incorrect password” message.</li> </ul>

## Configuring SNMP Notification Receivers

You can configure Cisco NX-OS to generate SNMP notifications to multiple host receivers.

### Procedure

	Command or Action	Purpose
<b>Step 1</b>	<b>configure terminal</b>  <b>Example:</b>	Enters global configuration mode.

	Command or Action	Purpose
	switch# configure terminal switch(config)#	
<b>Step 2</b>	<b>snmp-server host <i>ip-address</i> traps version 1 community [udp_port number]</b>  <b>Example:</b> switch(config)# snmp-server host 192.0.2.1 traps version 1 public	Configures a host receiver for SNMPv1 traps. The <i>ip-address</i> can be an IPv4 or IPv6 address. The <i>community</i> can be any alphanumeric string up to 255 characters. The UDP port number range is from 0 to 65535.
<b>Step 3</b>	<b>snmp-server host <i>ip-address</i> {traps   informs} version 2c community [udp_port number]</b>  <b>Example:</b> switch(config)# snmp-server host 192.0.2.1 informs version 2c public	Configures a host receiver for SNMPv2c traps or informs. The <i>ip-address</i> can be an IPv4 or IPv6 address. The <i>community</i> can be any alphanumeric string up to 255 characters. The UDP port number range is from 0 to 65535.
<b>Step 4</b>	<b>snmp-server host <i>ip-address</i> {traps   informs} version 3 {auth   noauth   priv} username [udp_port number]</b>  <b>Example:</b> switch(config)# snmp-server host 192.0.2.1 informs version 3 auth NMS	Configures a host receiver for SNMPv3 traps or informs. The <i>ip-address</i> can be an IPv4 or IPv6 address. The <i>username</i> can be any alphanumeric string up to 255 characters. The UDP port number range is from 0 to 65535.  <b>Note</b> The SNMP manager must know the user credentials (authKey/PrivKey) based on the SNMP engine ID of the Cisco NX-OS device to authenticate and decrypt the SNMPv3 messages.
<b>Step 5</b>	(Optional) <b>copy running-config startup-config</b>  <b>Example:</b> switch(config)# copy running-config startup-config	Copies the running configuration to the startup configuration.

## Configuring a Source Interface for SNMP Notifications

You can configure SNMP to use the IP address of an interface as the source IP address for notifications. When a notification is generated, its source IP address is based on the IP address of this configured interface.

You can configure a source interface as follows:

- All notifications sent to all SNMP notification receivers.
- All notifications sent to a specific SNMP notification receiver. This configuration overrides the global source interface configuration.



**Note** Configuring the source interface IP address for outgoing trap packets does not guarantee that the device will use the same interface to send the trap. The source interface IP address defines the source address inside of the SNMP trap, and the connection is opened with the address of the egress interface as source.

**Procedure**

	Command or Action	Purpose
<b>Step 1</b>	<b>configure terminal</b> <b>Example:</b> switch# configure terminal switch(config)#	Enters global configuration mode.
<b>Step 2</b>	<b>snmp-server host <i>ip-address</i> source-interface <i>if-type if-number</i> [<i>udp_port number</i>]</b> <b>Example:</b> switch(config)# snmp-server host 192.0.2.1 source-interface ethernet 2/1	Configures a host receiver for SNMPv2c traps or informs. The <i>ip-address</i> can be an IPv4 or IPv6 address. Use ? to determine the supported interface types. The UDP port number range is from 0 to 65535.  This configuration overrides the global source interface configuration.
<b>Step 3</b>	<b>snmp-server source-interface {traps   informs} <i>if-type if-number</i></b> <b>Example:</b> switch(config)# snmp-server source-interface traps ethernet 2/1	Configures a source interface for sending out SNMPv2c traps or informs. Use ? to determine the supported interface types.
<b>Step 4</b>	<b>show snmp source-interface</b> <b>Example:</b> switch(config)# show snmp source-interface	Displays information about configured source interfaces.

## Configuring the Notification Target User

You must configure a notification target user on the device to send SNMPv3 inform notifications to a notification host receiver.

Cisco NX-OS uses the credentials of the notification target user to encrypt the SNMPv3 inform notification messages to the configured notification host receiver.



**Note** For authenticating and decrypting the received inform PDU, the notification host receiver should have the same user credentials as configured in Cisco NX-OS to authenticate and decrypt the informs.

**Procedure**

	Command or Action	Purpose
<b>Step 1</b>	<b>configure terminal</b> <b>Example:</b> switch# configure terminal switch(config)#	Enters global configuration mode.

	Command or Action	Purpose
<b>Step 2</b>	<b>snmp-server user</b> <i>name</i> [auth {md5   sha} <i>passphrase</i> [auto] [priv [aes-128] <i>passphrase</i> ] [engineID <i>id</i> ]  <b>Example:</b> <pre>switch(config)# snmp-server user NMS auth sha abcd1234 priv abcdefgh engineID 00:00:00:63:00:01:00:10:20:15:10:03</pre>	Configures the notification target user with the specified engine ID for the notification host receiver. The engine ID format is a 12-digit colon-separated decimal number.
<b>Step 3</b>	(Optional) <b>copy running-config startup-config</b>  <b>Example:</b> <pre>switch(config)# copy running-config startup-config</pre>	Copies the running configuration to the startup configuration.

## Configuring SNMP Notification Receivers with VRFs

SNMP adds entries into the cExtSnmpTargetVrfTable of the CISCO-SNMP-TARGET-EXT-MIB when you configure the VRF reachability and filtering options for an SNMP notification receiver.



**Note** You must configure the host before configuring the VRF reachability or filtering options.

You can configure Cisco NX-OS to use a configured VRF to reach the host receiver or to filter notifications based on the VRF in which the notification occurred.

### Procedure

	Command or Action	Purpose
<b>Step 1</b>	<b>configure terminal</b>  <b>Example:</b> <pre>switch# configure terminal switch(config)#</pre>	Enters global configuration mode.
<b>Step 2</b>	[no] <b>snmp-server host</b> <i>ip-address use-vrf</i> <i>vrf-name</i> [ <i>udp_port number</i> ]  <b>Example:</b> <pre>switch(config)# snmp-server host 192.0.2.1 use-vrf Blue</pre>	Configures SNMP to use the selected VRF to communicate with the host receiver. The <i>ip-address</i> can be an IPv4 or IPv6 address. The VRF name can be any alphanumeric string up to 255 characters. The UDP port number range is from 0 to 65535. This command adds an entry into the ExtSnmpTargetVrfTable of the CISCO-SNMP-TARGET-EXT-MB.  The <b>no</b> form of this command removes the VRF reachability information for the configured host and removes the entry from the ExtSnmpTargetVrfTable of the CISCO-SNMP-TARGET-EXT-MB.



	Command or Action	Purpose
		<b>Note</b> This command does not remove the host configuration.
<b>Step 3</b>	<p>[no] <b>snmp-server host</b> <i>ip-address</i> <b>filter-vrf</b> <i>vrf-name</i> [<b>udp_port</b> <i>number</i>]</p> <p><b>Example:</b></p> <pre>switch(config)# snmp-server host 192.0.2.1 filter-vrf Red</pre>	<p>Filters notifications to the notification host receiver based on the configured VRF. The <i>ip-address</i> can be an IPv4 or IPv6 address. The VRF name can be any alphanumeric string up to 255 characters. The UDP port number range is from 0 to 65535.</p> <p>This command adds an entry into the ExtSnmpTargetVrfTable of the CISCO-SNMP-TARGET-EXT-MB.</p> <p>The <b>no</b> form of this command removes the VRF filter information for the configured host and removes the entry from the ExtSnmpTargetVrfTable of the CISCO-SNMP-TARGET-EXT-MB.</p> <p><b>Note</b> This command does not remove the host configuration.</p>
<b>Step 4</b>	<p>(Optional) <b>copy running-config startup-config</b></p> <p><b>Example:</b></p> <pre>switch(config)# copy running-config startup-config</pre>	Copies the running configuration to the startup configuration.

## Configuring SNMP to Send Traps Using an Inband Port

You can configure SNMP to send traps using an inband port. To do so, you must configure the source interface (at the global or host level) and the VRF used to send the traps.

### Procedure

	Command or Action	Purpose
<b>Step 1</b>	<p><b>configure terminal</b></p> <p><b>Example:</b></p> <pre>switch# configure terminal switch(config)#</pre>	Enters global configuration mode.
<b>Step 2</b>	<p><b>snmp-server source-interface traps</b> <i>if-type</i> <i>if-number</i></p> <p><b>Example:</b></p> <pre>switch(config)# snmp-server source-interface traps ethernet 1/2</pre>	<p>Globally configures a source interface for sending out SNMP traps. Use ? to determine the supported interface types.</p> <p>You can configure the source interface at the global level or at a host level. When the source interface is configured globally, any new host</p>

	Command or Action	Purpose
		configuration uses the global configuration to send the traps.  <b>Note</b> To configure a source interface at the host level, use the <b>snmp-server host ip-address source-interface if-type if-number</b> command.
<b>Step 3</b>	(Optional) <b>show snmp source-interface</b>  <b>Example:</b> <pre>switch(config)# show snmp source-interface</pre>	Displays information about configured source interfaces.
<b>Step 4</b>	<b>snmp-server host ip-address use-vrf vrf-name [udp_port number]</b>  <b>Example:</b> <pre>switch(config)# snmp-server host 171.71.48.164 use-vrf default</pre>	Configures SNMP to use the selected VRF to communicate with the host receiver. The <i>ip-address</i> can be an IPv4 or IPv6 address. The VRF name can be any alphanumeric string up to 255 characters. The UDP port number range is from 0 to 65535. This command adds an entry into the ExtSnmpTargetVrfTable of the CISCO-SNMP-TARGET-EXT-MB.  <b>Note</b> By default, SNMP sends the traps using the management VRF. If you do not want to use the management VRF, you must use this command to specify the desired VRF.
<b>Step 5</b>	(Optional) <b>show snmp host</b>  <b>Example:</b> <pre>switch(config)# show snmp host</pre>	Displays information about configured SNMP hosts.
<b>Step 6</b>	(Optional) <b>copy running-config startup-config</b>  <b>Example:</b> <pre>switch(config)# copy running-config startup-config</pre>	Copies the running configuration to the startup configuration.

## Enabling SNMP Notifications

You can enable or disable notifications. If you do not specify a notification name, Cisco NX-OS enables all notifications.



**Note** The **snmp-server enable traps** command enables both traps and informs, depending on the configured notification host receivers.

The following table lists the commands that enable the notifications for Cisco NX-OS MIBs.

Table 22: Enabling SNMP Notifications

MIB	Related Commands
All notifications	<b>snmp-server enable traps</b>
CISCO-AAA-SERVER-MIB	<b>snmp-server enable traps aaa</b> <b>snmp-server enable traps aaa</b> <b>server-state-change</b>
CISCO-BGP4-MIB	<b>snmp-server enable traps bgp</b>
CISCO-BGP-MIBv2	<b>snmp-server enable traps bgp</b> <b>cbgp2</b>
CISCO-STP-BRIDGE-MIB	<b>snmp-server enable traps bridge</b> <b>snmp-server enable traps bridge</b> <b>newroot</b> <b>snmp-server enable traps bridge</b> <b>topologychange</b>
CISCO-CALLHOME-MIB	<b>snmp-server enable traps</b> <b>callhome</b> <b>snmp-server enable traps</b> <b>callhome event-notify</b> <b>snmp-server enable traps</b> <b>callhome smtp-send-fail</b>
CISCO-CFS-MIB	<b>snmp-server enable traps cfs</b> <b>snmp-server enable traps cfs</b> <b>merge-failure</b> <b>snmp-server enable traps cfs</b> <b>state-change-notif</b>
CISCO-CONFIG-MAN-MIB	<b>snmp-server enable traps config</b> <b>snmp-server enable traps config</b> <b>ccmCLIRunningConfigChanged</b>
CISCO-EIGRP-MIB	<b>snmp-server enable traps eigrp</b> <i>[tag]</i>

MIB	Related Commands
ENTITY-MIB, CISCO-ENTITY-SENSOR-MIB	<b>snmp-server enable traps entity</b> <b>snmp-server enable traps entity</b> <b>entity_fan_status_change</b> <b>snmp-server enable traps entity</b> <b>entity_mib_change</b> <b>snmp-server enable traps entity</b> <b>entity_module_inserted</b> <b>snmp-server enable traps entity</b> <b>entity_module_removed</b> <b>snmp-server enable traps entity</b> <b>entity_module_status_change</b> <b>snmp-server enable traps entity</b> <b>entity_power_out_change</b> <b>snmp-server enable traps entity</b> <b>entity_power_status_change</b> <b>snmp-server enable traps entity</b> <b>entity_unrecognised_module</b>
CISCO-FEATURE-CONTROL-MIB	<b>snmp-server enable traps</b> <b>feature-control</b> <b>snmp-server enable traps</b> <b>feature-control</b> <b>FeatureOpStatusChange</b>
CISCO-HSRP-MIB	<b>snmp-server enable traps hsrp</b> <b>snmp-server enable traps hsrp</b> <b>state-change</b>
CISCO-LICENSE-MGR-MIB	<b>snmp-server enable traps license</b> <b>snmp-server enable traps license</b> <b>notify-license-expiry</b> <b>snmp-server enable traps license</b> <b>notify-license-expiry-warning</b> <b>snmp-server enable traps license</b> <b>notify-licensefile-missing</b> <b>snmp-server enable traps license</b> <b>notify-no-license-for-feature</b>
CISCO-INTERFACE-XCVR MONITOR-MIB	<b>snmp-server enable traps link</b> <b>cisco-xcvr-mon-status-chg</b>

MIB	Related Commands
IF-MIB	<b>snmp-server enable traps link</b> <b>snmp-server enable traps link</b> <b>IETF-extended-linkDown</b> <b>snmp-server enable traps link</b> <b>IETF-extended-linkUp</b> <b>snmp-server enable traps link</b> <b>cisco-extended-linkDown</b> <b>snmp-server enable traps link</b> <b>cisco-extended-linkUp</b> <b>snmp-server enable traps link</b> <b>linkDown</b> <b>snmp-server enable traps link Up</b>
OSPF-MIB, OSPF-TRAP-MIB	<b>snmp-server enable traps ospf</b> <i>[tag]</i> <b>snmp-server enable traps ospf lsa</b> <b>snmp-server enable traps ospf</b> <i>rate-limit rate</i>
CISCO-PORT-SECURITY-MIB	<b>snmp-server enable traps</b> <b>port-security</b> <b>snmp-server enable traps</b> <b>port-security</b> <b>access-secure-mac-violation</b> <b>snmp-server enable traps</b> <b>port-security</b> <b>trunk-secure-mac-violation</b>
CISCO-RF-MIB	<b>snmp-server enable traps rf</b> <b>snmp-server enable traps rf</b> <b>redundancy_framework</b>
CISCO-RMON-MIB	<b>snmp-server enable traps rmon</b> <b>snmp-server enable traps rmon</b> <b>fallingAlarm</b> <b>snmp-server enable traps rmon</b> <b>hcFallingAlarm</b> <b>snmp-server enable traps rmon</b> <b>hcRisingAlarm</b> <b>snmp-server enable traps rmon</b> <b>risingAlarm</b>

MIB	Related Commands
SNMPv2-MIB	<b>snmp-server enable traps snmp</b> <b>snmp-server enable traps snmp authentication</b>
CISCO-STPX-MIB	<b>snmp-server enable traps stpx</b> <b>snmp-server enable traps stpx inconsistency</b> <b>snmp-server enable traps stpx loop-inconsistency</b> <b>snmp-server enable traps stpx root-inconsistency</b>
CISCO-SYSTEM-EXT-MIB	<b>snmp-server enable traps sysmgr</b> <b>snmp-server enable traps sysmgr cseFailSwCoreNotifyExtended</b>
UPGRADE-MIB	<b>snmp-server enable traps upgrade</b> <b>snmp-server enable traps upgrade UpgradeJobStatusNotify</b> <b>snmp-server enable traps upgrade UpgradeOpNotifyOnCompletion</b>
ZONE-MIB	<b>zone</b> <b>zone default-zone-behavior-changes</b> <b>zone merge-failure</b> <b>zone merge-success</b> <b>zone request-reject1</b> <b>zone unsupp-mem</b>

Use the following commands in global configuration mode to enable the specified notification:

Command	Purpose
<b>snmp-server enable traps</b>	Enables all SNMP notifications.
<b>snmp-server enable traps aaa [server-state-change]</b>	Enables the AAA SNMP notifications. Optionally, enables the following specific notifications: <ul style="list-style-type: none"> <li>• <b>server-state-change</b>—Enables AAA server state-change notifications.</li> </ul>

Command	Purpose
<b>snmp-server enable traps bgp [cbgp2]</b>	Enables CISCO-BGP4-MIB SNMP notifications. Optionally, enables the following specific notifications: <ul style="list-style-type: none"> <li>• <b>bgp cbgp2</b>—Enables CISCO-BGP4-MIBv2 SNMP notifications.</li> </ul>
<b>snmp-server enable traps bridge [newroot] [topologychange]</b>	Enables STP bridge SNMP notifications. Optionally, enables the following specific notifications: <ul style="list-style-type: none"> <li>• <b>newroot</b>—Enables STP new root bridge notifications.</li> <li>• <b>topologychange</b>—Enables STP bridge topology-change notifications.</li> </ul>
<b>snmp-server enable traps callhome [event-notify] [smtp-send-fail]</b>	Enables Call Home notifications. Optionally, enables the following specific notifications: <ul style="list-style-type: none"> <li>• <b>event-notify</b>—Enables Call Home external event notifications.</li> <li>• <b>smtp-send-fail</b>—Enables Simple Mail Transfer Protocol (SMTP) message send fail notifications.</li> </ul>
<b>snmp-server enable traps cfs [merge-failure] [state-change-notif]</b>	Enables Cisco Fabric Services (CFS) notifications. Optionally, enables the following specific notifications: <ul style="list-style-type: none"> <li>• <b>merge-failure</b>—Enables CFS merge-failure notifications.</li> <li>• <b>state-change-notif</b>—Enables CFS state-change notifications.</li> </ul>
<b>snmp-server enable traps config [ccmCLIRunningConfigChanged]</b>	Enables SNMP notifications for configuration changes. <ul style="list-style-type: none"> <li>• <b>ccmCLIRunningConfigChanged</b>—Enables SNMP notifications for configuration changes in the running or startup configuration.</li> </ul>

Command	Purpose
<b>snmp-server enable traps eigrp</b> [ <i>tag</i> ]	Enables CISCO-EIGRP-MIB SNMP notifications.
<b>snmp-server enable traps entity</b> [ <i>entity_fan_status_change</i> ] [ <i>entity_mib_change</i> ] [ <i>entity_module_inserted</i> ] [ <i>entity_module_removed</i> ] [ <i>entity_module_status_change</i> ] [ <i>entity_power_out_change</i> ] [ <i>entity_power_status_change</i> ] [ <i>entity_unrecognised_module</i> ]	Enables ENTITY-MIB SNMP notifications. Optionally, enables the following specific notifications: <ul style="list-style-type: none"> <li>• <b>entity_fan_status_change</b>—Enables entity fan status-change notifications.</li> <li>• <b>entity_mib_change</b>—Enables entity MIB change notifications.</li> <li>• <b>entity_module_inserted</b>—Enables entity module inserted notifications.</li> <li>• <b>entity_module_removed</b>—Enables entity module removed notifications.</li> <li>• <b>entity_module_status_change</b>—Enables entity module status-change notifications.</li> <li>• <b>entity_power_out_change</b>—Enables entity power-out change notifications.</li> <li>• <b>entity_power_status_change</b>—Enables entity power status-change notifications.</li> <li>• <b>entity_unrecognised_module</b>—Enables entity unrecognized module notifications.</li> </ul>
<b>snmp-server enable traps feature-control</b> [ <i>FeatureOpStatusChange</i> ]	Enables feature-control SNMP notifications. Optionally, enables the following specific notifications: <ul style="list-style-type: none"> <li>• <b>FeatureOpStatusChange</b>—Enables feature operation status-change notifications.</li> </ul>
<b>snmp-server enable traps hsrp</b> [ <i>state-change</i> ]	Enables CISCO-HSRP-MIB SNMP notifications. Optionally, enables the following specific notifications: <ul style="list-style-type: none"> <li>• <b>state-change</b>—Enables HSRP state-change notifications.</li> </ul>



Command	Purpose
<b>snmp-server enable traps license</b> [notify-license-expiry] [notify-license-expiry-warning] [notify-licensefile-missing] [notify-no-license-for-feature]	Enables ENTITY-MIB SNMP notifications. Optionally, enables the following specific notifications: <ul style="list-style-type: none"> <li>• <b>notify-license-expiry</b>—Enables license expiry notifications.</li> <li>• <b>notify-license-expiry-warning</b>—Enables license expiry warning notifications.</li> <li>• <b>notify-licensefile-missing</b>—Enables license file-missing notifications.</li> <li>• <b>notify-no-license-for-feature</b>—Enables no-license-installed-for-feature notifications.</li> </ul>
<b>snmp-server enable traps link</b> [IETF-extended-linkDown] [IETF-extended-linkUp] [cisco-extended-linkDown] [cisco-extended-linkUp] [linkDown] [linkUp]	Enables IF-MIB link notifications. Optionally, enables the following specific notifications: <ul style="list-style-type: none"> <li>• <b>IETF-extended-linkDown</b>—Enables Internet Engineering Task Force (IETF) extended link state down notifications.</li> <li>• <b>IETF-extended-linkUp</b>—Enables Internet Engineering Task Force (IETF) extended link state up notifications.</li> <li>• <b>cisco-extended-linkDown</b>—Enables Cisco extended link state down notifications.</li> <li>• <b>cisco-extended-linkUp</b>—Enables Cisco extended link state up notifications.</li> <li>• <b>linkDown</b>—Enables IETF link state down notifications.</li> <li>• <b>linkUp</b>—Enables IETF link state up notifications.</li> </ul>
<b>snmp-server enable traps ospf</b> [tag] [lsa]	Enables Open Shortest Path First (OSPF) notifications. Optionally, enables the following specific notifications: <ul style="list-style-type: none"> <li>• <b>lsa</b>—Enables OSPF link state advertisement (LSA) notifications.</li> </ul>

Command	Purpose
<b>snmp-server enable traps port-security</b> [ <b>access-secure-mac-violation</b> ] <b>[trunk-secure-mac-violation]</b>	Enables port-security SNMP notifications. Optionally, enables the following specific notifications: <ul style="list-style-type: none"> <li>• <b>access-secure-mac-violation</b>—Enables secure machine access control (MAC) violation notifications.</li> <li>• <b>trunk-secure-mac-violation</b>—Enables virtual LAN (VLAN) secure MAC violation notifications.</li> </ul>
<b>snmp-server enable traps rf</b> [ <b>redundancy-framework</b> ]	Enables redundancy framework (RF) SNMP notifications. Optionally, enables the following specific notifications: <ul style="list-style-type: none"> <li>• <b>redundancy-framework</b>—Enables RF supervisor switchover MIB notifications.</li> </ul>
<b>snmp-server enable traps rmon</b> [ <b>fallingAlarm</b> ] [ <b>hcFallingAlarm</b> ] <b>[hcRisingAlarm]</b> [ <b>risingAlarm</b> ]	Enables remote monitoring (RMON) SNMP notifications. Optionally, enables the following specific notifications: <ul style="list-style-type: none"> <li>• <b>fallingAlarm</b>—Enables RMON falling alarm notifications.</li> <li>• <b>hcFallingAlarm</b>—Enables RMON high-capacity falling alarm notifications.</li> <li>• <b>hcRisingAlarm</b>—Enables RMON high-capacity rising alarm notifications.</li> <li>• <b>risingAlarm</b>—Enables RMON rising alarm notifications.</li> </ul>
<b>snmp-server enable traps snmp</b> [ <b>authentication</b> ]	Enables general SNMP notifications. Optionally, enables the following specific notifications: <ul style="list-style-type: none"> <li>• <b>authentication</b>—Enables SNMP authentication notifications.</li> </ul>

Command	Purpose
<b>snmp-server enable traps stpx [inconsistency] [loop-inconsistency] [root-inconsistency]</b>	Enables remote monitoring (RMON) SNMP notifications. Optionally, enables the following specific notifications: <ul style="list-style-type: none"> <li>• <b>inconsistency</b>—Enables SNMP STPX MIB inconsistency update notifications.</li> <li>• <b>loop-inconsistency</b>—Enables SNMP STPX MIB loop-inconsistency update notifications.</li> <li>• <b>root-inconsistency</b>—Enables SNMP STPX MIB root-inconsistency update notifications.</li> </ul>
<b>snmp-server enable traps sysmgr [cseFailSwCoreNotifyExtended]</b>	Enables software change notifications. Optionally, enables the following specific notifications: <ul style="list-style-type: none"> <li>• <b>cseFailSwCoreNotifyExtended</b>—Enables software core notifications.</li> </ul>
<b>snmp-server enable traps upgrade [UpgradeJobStatusNotify] [UpgradeOpNotifyOnCompletion]</b>	Enables upgrade notifications. Optionally, enables the following specific notifications: <ul style="list-style-type: none"> <li>• <b>UpgradeJobStatusNotify</b>—Enables upgrade job status notifications.</li> <li>• <b>UpgradeOpNotifyOnCompletion</b>—Enables upgrade global status notifications.</li> </ul>
<b>snmp-server enable traps vtp [notifs] [vlancreate] [vlandelete]</b>	Enables VTP notifications. Optionally, enables the following specific notifications: <ul style="list-style-type: none"> <li>• <b>notifs</b>—Enables VTP notifications.</li> <li>• <b>vlancreate</b>—Enables VLAN creation notifications.</li> <li>• <b>vlandelete</b>—Enables VLAN deletion notifications.</li> </ul>

Command	Purpose
<b>snmp-server enable traps zone</b> [ <b>default-zone-behavior-change</b> ] [ <b>merge-failure</b> ] [ <b>merge-success</b> ] [ <b>request-reject1</b> ] [ <b>unsupp-mem</b> ]	<p>Enables default zone change notifications. Optionally, enables the following specific notifications:</p> <ul style="list-style-type: none"> <li>• <b>default-zone-behavior-change</b>—Enables default zone behavior change notifications.</li> <li>• <b>merge-failure</b>—Enables merge failure notifications.</li> <li>• <b>merge-success</b>—Enables merge success notifications.</li> <li>• <b>request-reject1</b>—Enables request reject notifications.</li> <li>• <b>unsupp-mem</b>—Enables unsupported member notifications.</li> </ul>

## Disabling Link Notifications on an Interface

You can disable linkUp and linkDown notifications on an individual interface. You can use this limit notifications on flapping interface (an interface that transitions between up and down repeatedly).

### Procedure

	Command or Action	Purpose
<b>Step 1</b>	<b>configure terminal</b> <b>Example:</b> <pre>switch# configure terminal switch(config)#</pre>	Enters global configuration mode.
<b>Step 2</b>	<b>interface</b> <i>type slot/port</i> <b>Example:</b> <pre>switch(config)# interface ethernet 2/2</pre>	Disables SNMP link-state traps for the interface. This command is enabled by default.
<b>Step 3</b>	<b>no snmp trap link-status</b> <b>Example:</b> <pre>switch(config-if)# no snmp trap link-status</pre>	Disables SNMP link-state traps for the interface. This command is enabled by default.
<b>Step 4</b>	(Optional) <b>copy running-config startup-config</b> <b>Example:</b> <pre>switch(config-if)# copy running-config startup-config</pre>	Copies the running configuration to the startup configuration.

## Displaying SNMP ifIndex for an Interface

The SNMP ifIndex is used across multiple SNMP MIBs to link related interface information.

### Procedure

	Command or Action	Purpose
<b>Step 1</b>	<b>show interface snmp-ifindex</b>  <b>Example:</b> <pre>switch# show interface snmp-ifindex   grep -i Eth12/1 Eth12/1 441974784 (0x1a580000)</pre>	Displays the persistent SNMP ifIndex value from the IF-MIB for all interfaces. Optionally, use the   keyword and the <b>grep</b> keyword to search for a particular interface in the output.

## Enabling a One-Time Authentication for SNMP over TCP

You can enable a one-time authentication for SNMP over a TCP session.

### Procedure

	Command or Action	Purpose
<b>Step 1</b>	<b>configure terminal</b>  <b>Example:</b> <pre>switch# configure terminal switch(config)#</pre>	Enters global configuration mode.
<b>Step 2</b>	<b>snmp-server tcp-session [auth]</b>  <b>Example:</b> <pre>switch(config)# snmp-server tcp-session</pre>	Enables a one-time authentication for SNMP over a TCP session. The default is disabled.
<b>Step 3</b>	(Optional) <b>copy running-config startup-config</b>  <b>Example:</b> <pre>switch(config)# copy running-config startup-config</pre>	Copies the running configuration to the startup configuration.

## Assigning SNMP Device Contact and Location Information

You can assign the device contact information, which is limited to 32 characters (without spaces) and the device location.

### Procedure

	Command or Action	Purpose
<b>Step 1</b>	<b>configure terminal</b>  <b>Example:</b>	Enters global configuration mode.

	Command or Action	Purpose
	switch# configure terminal switch(config)#	
<b>Step 2</b>	<b>snmp-server contact</b> <i>name</i> <b>Example:</b> switch(config)# snmp-server contact Admin	Configures sysContact, which is the SNMP contact name.
<b>Step 3</b>	<b>snmp-server location</b> <i>name</i> <b>Example:</b> switch(config)# snmp-server location Lab-7	Configures sysLocation, which is the SNMP location.
<b>Step 4</b>	(Optional) <b>show snmp</b> <b>Example:</b> switch(config)# show snmp	Displays information about one or more destination profiles.
<b>Step 5</b>	(Optional) <b>copy running-config startup-config</b> <b>Example:</b> switch(config)# copy running-config startup-config	Copies the running configuration to the startup configuration.

## Configuring the Context to Network Entity Mapping

You can configure an SNMP context to map to a logical network entity, such as a protocol instance or VRF.

### Before you begin

Determine the logical network entity instance. For more information on VRFs and protocol instances, see the *Cisco Nexus 7000 Series NX-OS Unicast Routing Configuration Guide* or the *Cisco Nexus 7000 Series NX-OS Multicast Routing Configuration Guide*.

### Procedure

	Command or Action	Purpose
<b>Step 1</b>	<b>configure terminal</b> <b>Example:</b> switch# configure terminal switch(config)#	Enters global configuration mode.
<b>Step 2</b>	<b>[no] snmp-server context</b> <i>context-name</i> <b>[instance</b> <i>instance-name</i> <b>]</b> <b>[vrf</b> <i>vrf-name</i> <b>]</b> <b>[topology</b> <i>topology-name</i> <b>]</b> <b>Example:</b> switch(config)# snmp-server context public1 vrf red	Maps an SNMP context to a protocol instance, VRF, or topology. Before Release 6.2(2), the names can be any alphanumeric string up to 32 characters. In Release 6.2(2) and later releases, the string can include non alphanumeric characters. However, the best practice is to use alphanumeric characters only.

	Command or Action	Purpose
		The <b>no</b> option deletes the mapping between an SNMP context and a protocol instance, VRF, or topology.  <b>Note</b> Do not enter an instance, VRF, or topology to delete a context mapping. If you use the instance, VRF, or topology keywords, you configure a mapping between the context and a zero-length string.
<b>Step 3</b>	(Optional) <b>snmp-server mib community-map</b> <i>community-name context context-name</i>  <b>Example:</b> switch(config)# snmp-server mib community-map public context public1	Maps an SNMPv2c community to an SNMP context. The names can be any alphanumeric string up to 32 characters.
<b>Step 4</b>	(Optional) <b>show snmp context</b>  <b>Example:</b> switch(config)# show snmp context	Displays information about one or more SNMP contexts.
<b>Step 5</b>	(Optional) <b>copy running-config startup-config</b>  <b>Example:</b> switch(config)# copy running-config startup-config	Copies the running configuration to the startup configuration.

## Disabling SNMP

You can disable SNMP on the device.

### Procedure

	Command or Action	Purpose
<b>Step 1</b>	<b>configure terminal</b>  <b>Example:</b> switch# configure terminal switch(config)#	Enters global configuration mode.
<b>Step 2</b>	<b>no snmp-server protocol enable</b>  <b>Example:</b> switch(config)# no snmp-server protocol enable	Disables SNMP. SNMP is enabled by default.

## Managing the SNMP Server Counter Cache Update Timer

You can modify how long, in seconds Cisco NX-OS holds the cache port state.

**Procedure**

	<b>Command or Action</b>	<b>Purpose</b>
<b>Step 1</b>	<b>configure terminal</b>  <b>Example:</b> switch# configure terminal switch(config)#	Enters global configuration mode.
<b>Step 2</b>	<b>snmp-server counter cache-timeout <i>seconds</i></b>  <b>Example:</b> switch(config)# snmp-server counter cache-timeout 1800	Defines how long in seconds, the port states are held in the local cache. The counter cache is enabled by default, and the default cache timeout value is 10 seconds. When disabled, the default value for the SNMP cache expiry timeout is 140 seconds. The range is 1-3600. For end of row (EoR) switching - The range is from 10 to 3600.
<b>Step 3</b>	(Optional) <b>show running-config snmp all</b>  <b>Example:</b> switch(config)# show running-config snmp all	Displays the configured SNMP-server counter cache update timeout value.
<b>Step 4</b>	<b>no snmp-server counter cache enable</b>  <b>Example:</b> switch(config)# no snmp-server counter cache enable	Disables the counter cache update.  When the counter cache update is disabled, the value set in the timeout parameter determines length of time the port states are held the counter cache.

## Modifying the AAA Synchronization Time

You can modify how long Cisco NX-OS holds the synchronized user configuration.

**Procedure**

	<b>Command or Action</b>	<b>Purpose</b>
<b>Step 1</b>	<b>configure terminal</b>  <b>Example:</b> switch# configure terminal switch(config)#	Enters global configuration mode.
<b>Step 2</b>	<b>snmp-server aaa-user cache-timeout <i>seconds</i></b>  <b>Example:</b> switch(config)# snmp-server aaa-user cache-timeout 1200	Configures how long the AAA synchronized user configuration stays in the local cache. The range is from 1 to 86400 seconds. The default is 3600.
<b>Step 3</b>	(Optional) <b>copy running-config startup-config</b>  <b>Example:</b>	Copies the running configuration to the startup configuration.



	Command or Action	Purpose
	switch(config)# copy running-config startup-config	

## Verifying SNMP Configuration

To display SNMP configuration information, perform one of the following tasks:

Command	Purpose
<b>show interface snmp-ifindex</b>	Displays the SNMP ifIndex value for all interfaces (from IF-MIB).
<b>show running-config snmp [all]</b>	Displays the SNMP running configuration.
<b>show snmp</b>	Displays the SNMP status.
<b>show snmp community</b>	Displays the SNMP community strings.
<b>show snmp context</b>	Displays the SNMP context mapping.
<b>show snmp engineID</b>	Displays the SNMP engineID.
<b>show snmp group</b>	Displays SNMP roles.
<b>show snmp host</b>	Displays information about configured SNMP hosts.
<b>show snmp session</b>	Displays SNMP sessions.
<b>show snmp source-interface</b>	Displays information about configured source interfaces.
<b>show snmp trap</b>	Displays the SNMP notifications enabled or disabled.
<b>show snmp user</b>	Displays SNMPv3 users.

## Configuration Examples for SNMP

This example shows how to configure Cisco NX-OS to send the Cisco linkUp or Down notifications to one notification host receiver using the Blue VRF and defines two SNMP users, Admin and NMS:

```
configure terminal
snmp-server contact Admin@company.com
snmp-server user Admin auth sha abcd1234 priv abcdefgh
snmp-server user NMS auth sha abcd1234 priv abcdefgh engineID
00:00:00:63:00:01:00:22:32:15:10:03
snmp-server host 192.0.2.1 informs version 3 auth NMS
```

```
snmp-server host 192.0.2.1 use-vrf Blue
snmp-server enable traps link cisco
```

This example shows how to configure SNMP to send traps using an inband port configured at the host level:

```
switch# configure terminal
Enter configuration commands, one per line. End with CNTL/Z.
switch(config)# snmp-server host 171.71.48.164 version 2c public
switch(config)# snmp-server host 171.71.48.164 source-interface ethernet 1/2
switch(config)# show snmp host
-----
Host Port Version Level Type SecName
-----
171.71.48.164 162 v2c noauth trap public
Source interface: Ethernet 1/2
-----
switch(config)# snmp-server host 171.71.48.164 use-vrf default
switch(config)# show snmp host
-----
Host Port Version Level Type SecName
-----
171.71.48.164 162 v2c noauth trap public
Use VRF: default
Source interface: Ethernet 1/2
-----
```

This example shows how to configure SNMP to send traps using a globally configured inband port:

```
switch# configure terminal
Enter configuration commands, one per line. End with CNTL/Z.
switch(config)# snmp-server source-interface traps ethernet 1/2
switch(config)# show snmp source-interface
-----
Notification source-interface
-----
trap Ethernet1/2
inform -
-----
switch(config)# snmp-server host 171.71.48.164 use_vrf default
switch(config)# show snmp host
-----
Host Port Version Level Type SecName
-----
171.71.48.164 162 v2c noauth trap public
Use VRF: default
Source interface: Ethernet 1/2
-----
```

This example shows how to map VRF red to the SNMPv2c public community string:

```
switch# configure terminal
Enter configuration commands, one per line. End with CNTL/Z.
switch(config)# vrf context red
switch(config-vrf)# exit
switch(config)# snmp-server context public1 vrf red
switch(config)# snmp-server mib community-map public context public1
```

This example shows how to map OSPF instance Enterprise to the same SNMPv2c public community string:

```
switch# configure terminal
Enter configuration commands, one per line. End with CNTL/Z.
switch(config)# feature ospf
```

```
switch(config)# router ospf Enterprise
switch(config-router)# exit
switch(config)# snmp-server context public1 instance Enterprise
switch(config)# snmp-server mib community-map public context public1
```

This example shows how to configure both IPv4 and IPv6 ACLs with the SNMPv3 “newstring” community:

```
switch# configure terminal
switch(config)# snmp-server community newstring use-ipv4acl myacl use-ipv6acl myacl1
switch(config)# show running-config snmp
version 6.2(2)
snmp-server aaa exclusive-behavior enable
snmp-server user admin network-admin auth md5 0x2f2429f3c9b21f1adbae8acc7783e355
priv 0x2f2429f3c9b21f1adbae8acc7783e355 localizedkey
rmon event 1 log trap public description FATAL(1) owner PMON@FATAL
rmon event 2 log trap public description CRITICAL(2) owner PMON@CRITICAL
rmon event 3 log trap public description ERROR(3) owner PMON@ERROR
rmon event 4 log trap public description WARNING(4) owner PMON@WARNING
rmon event 5 log trap public description INFORMATION(5) owner PMON@INFO
snmp-server community newstring group network-operator
snmp-server community newstring use-ipv4acl myacl use-ipv6acl myacl1
switch# show snmp community
Community Group / Access context acl_filter
newstring network-operator ipv4:myacl ipv6:myacl1
switch#
```

## Additional References

### Related Documents

Related Topic	Document Title
Rollback CLI commands	<i>Cisco Nexus 7000 Series NX-OS System Management Command Reference</i>
VDCs	<i>Cisco Nexus 7000 Series NX-OS Virtual Device Context Configuration Guide</i>
IP ACLs and AAA	<i>Cisco Nexus 7000 Series NX-OS Security Configuration Guide</i>
MIBs	<i>Cisco Nexus 7000 Series and 9000 Series NX-OS MIB Quick Reference</i>

### RFCs

RFC	Title
RFC 3414	<i>User-based Security Model (USM) for Version 3 of the Simple Network Management Protocol (SNMPv3)</i>
RFC 3415	<i>View-based Access Control Model (VACM) for the Simple Network Management Protocol (SNMP)</i>

## MIBs

MIBs	MIBs Link
MIBs related to SNMP	To locate and download supported MIBs, go to the following URL:  <a href="ftp://ftp.cisco.com/pub/mibs/supportlists/nexus7000/Nexus7000MIBSupportList.html">ftp://ftp.cisco.com/pub/mibs/supportlists/nexus7000/Nexus7000MIBSupportList.html</a>

## Feature History for SNMP

The table below summarizes the new and changed features for this document and shows the releases in which each feature is supported. Your software release might not support all the features in this document. For the latest caveats and feature information, see the Bug Search Tool at <https://tools.cisco.com/bugsearch/> and the release notes for your software release.

**Table 23: Feature History for SNMP**

Feature Name	Releases	Feature Information
SNMPv3 user and communities	6.2(2)	Added the ability to apply both IPv4 and IPv6 ACLs to the same SNMPv3 user or SNMPv3 community.
SNMPv3	6.2(2)	Added support for AAA exclusive behavior in SNMPv3 servers to authenticate users based on location.
SNMP notifications	5.0(2)	Updated the <b>snmp-server enable traps</b> commands.
IPv6 support	4.2(1)	Supports configuring IPv6 SNMP hosts.
Filter SNMP requests by community using an ACL	4.2(1)	Assigns an ACL to an SNMP community to filter SNMP requests.
Use interfaces for SNMP notification receivers	4.2(1)	Added support to designate an interface to act as the source interface for SNMP notifications.
SNMP AAA synchronization	4.0(3)	Added the ability to modify the synchronized user configuration timeout.
SNMP protocol	4.0(3)	Added the ability to disable the SNMP protocol.



# CHAPTER 13

## Configuring RMON

This chapter describes how to configure the remote monitoring (RMON) feature on Cisco NX-OS devices.

This chapter contains the following sections:

- [Finding Feature Information, on page 207](#)
- [About RMON, on page 207](#)
- [Licensing Requirements for RMON, on page 209](#)
- [Prerequisites for RMON, on page 209](#)
- [Guidelines and Limitations for RMON, on page 209](#)
- [Default Settings for RMON, on page 210](#)
- [Configuring RMON, on page 210](#)
- [Verifying the RMON Configuration, on page 212](#)
- [Configuration Examples for RMON, on page 212](#)
- [Additional References, on page 212](#)
- [Feature History for RMON, on page 213](#)

## Finding Feature Information

Your software release might not support all the features documented in this module. For the latest caveats and feature information, see the Bug Search Tool at <https://tools.cisco.com/bugsearch/> and the release notes for your software release. To find information about the features documented in this module, and to see a list of the releases in which each feature is supported, see the "New and Changed Information" chapter or the Feature History table in this chapter.

## About RMON

RMON is a Simple Network Management Protocol (SNMP) Internet Engineering Task Force (IETF) standard monitoring specification that allows various network agents and console systems to exchange network monitoring data. Cisco NX-OS supports RMON alarms, events, and logs to monitor Cisco NX-OS devices.

An RMON alarm monitors a specific management information base (MIB) object for a specified interval, triggers an alarm at a specified threshold value (threshold), and resets the alarm at another threshold value. You can use alarms with RMON events to generate a log entry or an SNMP notification when the RMON alarm triggers.

RMON is enabled by default, but no alarms are configured in Cisco NX-OS. You can configure RMON alarms by using the CLI or an SNMP-compatible network management station.

## RMON Alarms

You can set an alarm on any MIB object that resolves into an SNMP INTEGER type. The specified object must be an existing SNMP MIB object in standard dot notation (for example, 1.3.6.1.2.1.2.2.1.14 represents ifInOctets.14).

When you create an alarm, you specify the following parameters:

- MIB object to monitor.
- Sampling interval—The interval that the device uses to collect a sample value of the MIB object.
- Sample type—Absolute samples take the current snapshot of the MIB object value. Delta samples take two consecutive samples and calculate the difference between them.
- Rising threshold—The value at which the device triggers a rising alarm or resets a falling alarm.
- Falling threshold—The value at which the device triggers a falling alarm or resets a rising alarm.
- Events—The action that the device takes when an alarm (rising or falling) triggers.



---

**Note** Use the `hcalarms` option to set an alarm on a 64-bit integer MIB object.

---

For example, you can set a delta type rising alarm on an error counter MIB object. If the error counter delta exceeds this value, you can trigger an event that sends an SNMP notification and logs the rising alarm event. This rising alarm will not occur again until the delta sample for the error counter drops below the falling threshold.



---

**Note** The falling threshold must be less than the rising threshold.

---

## RMON Events

You can associate a particular event to each RMON alarm. RMON supports the following event types:

- SNMP notification—Sends an SNMP risingAlarm or fallingAlarm notification when the associated alarm triggers.
- Log—Adds an entry in the RMON log table when the associated alarm triggers.
- Both—Sends an SNMP notification and adds an entry in the RMON log table when the associated alarm triggers.

You can specify a different event for a falling alarm and a rising alarm.



**Note** You may choose to use the default RMON events template configuration or you can delete these entries and create new RMON events. Until you create RMON alarm configurations, no alarms will be triggered by these configurations.

## High Availability for RMON

Cisco NX-OS supports stateless restarts for RMON. After a reboot or supervisor switchover, Cisco NX-OS applies the running configuration.

## Virtualization Support for RMON

Cisco NX-OS supports one instance of RMON.

RMON is virtual routing and forwarding (VRF) aware. You can configure RMON to use a particular VRF to reach the RMON SMTP server.

## Licensing Requirements for RMON

Product	License Requirement
Cisco NX-OS	RMON requires no license. Any feature not included in a license package is bundled with the nx-os image and is provided at no extra charge to you. For a complete explanation of the Cisco NX-OS licensing scheme, see the <i>Cisco NX-OS Licensing Guide</i> .

## Prerequisites for RMON

If you configure VDCs, install the appropriate license and enter the desired VDC. See the *Cisco Nexus 7000 Series NX-OS Virtual Device Context Configuration Guide* for configuration information and the *Cisco NX-OS Licensing Guide* for licensing information.

## Guidelines and Limitations for RMON

RMON has the following configuration guidelines and limitations:

- You must configure an SNMP user and a notification receiver to use the SNMP notification event type.
- You can configure an RMON alarm only on a MIB object that resolves to an integer.
- When you configure an RMON alarm, the object identifier must be complete with its index so that it refers to only one object. For example, 1.3.6.1.2.1.2.2.1.14 corresponds to `cpmCPUTotal5minRev`, and .1 corresponds to `index cpmCPUTotalIndex`, which creates object identifier 1.3.6.1.2.1.2.2.1.14.1.

## Default Settings for RMON

The following table lists the default settings for RMON parameters.

Parameters	Default
RMON	Enabled
Alarms	None configured

## Configuring RMON



**Note** Be aware that the Cisco NX-OS commands for this feature may differ from those commands used in Cisco IOS.

## Configuring RMON Alarms

You can configure RMON alarms on any integer-based SNMP MIB object.

You can optionally specify the following parameters:

- The event number to trigger if the rising or falling threshold exceeds the specified limit.
- The owner of the alarm.

Ensure you have configured an SNMP user and enabled SNMP notifications.

### Before you begin

Make sure that you have configured an SNMP user and enabled SNMP notifications.

### Procedure

	Command or Action	Purpose
<b>Step 1</b>	<b>configure terminal</b>  <b>Example:</b> <pre>switch# configure terminal switch(config)#</pre>	Enters global configuration mode.
<b>Step 2</b>	<b>rmon alarm <i>index mib-object sample-interval</i></b> <b>{absolute   delta} rising-threshold <i>value</i></b> <b>[<i>event-index</i>] falling-threshold <i>value</i></b> <b>[<i>event-index</i>] [<i>owner name</i>]</b>  <b>Example:</b> <pre>switch(config)# rmon alarm 20 1.3.6.1.2.1.2.2.1.14.1 2900 delta</pre>	Creates an RMON alarm. The value range is from –2147483647 to 2147483647. The owner name can be any alphanumeric string.



	Command or Action	Purpose
	<pre>rising-threshold 1500 1 falling-threshold 0 owner test</pre>	
<b>Step 3</b>	<p><b>rmon hcalarm</b> <i>index mib-object sample-interval</i> {<b>absolute</b>   <b>delta</b>}  <b>rising-threshold-high</b> <i>value</i>  <b>rising-threshold-low</b> <i>value</i> [<i>event-index</i>]  <b>falling-threshold-high</b> <i>value</i>  <b>falling-threshold-low</b> <i>value</i> [<i>event-index</i>]  [<i>owner name</i>] [<i>storagetype type</i>]</p> <p><b>Example:</b></p> <pre>switch(config)# rmon alarm 20 1.3.6.1.2.1.2.2.1.14.16777216 2900 delta rising-threshold-high 15 rising-threshold-low 151 falling-threshold-high 0 falling-threshold-low 0 owner test</pre>	<p>Creates an RMON high-capacity alarm. The value range is from -2147483647 to 2147483647. The owner name can be any alphanumeric string.</p> <p>The storage type range is from 1 to 5.</p>
<b>Step 4</b>	<p>(Optional) <b>show rmon</b> {<b>alarms</b>   <b>hcalarms</b>}</p> <p><b>Example:</b></p> <pre>switch(config)# show rmon alarms</pre>	Displays information about RMON alarms or high-capacity alarms.
<b>Step 5</b>	<p>(Optional) <b>copy running-config startup-config</b></p> <p><b>Example:</b></p> <pre>switch(config)# copy running-config startup-config</pre>	Copies the running configuration to the startup configuration.

## Configuring RMON Events

You can configure RMON events to associate with RMON alarms. You can reuse the same event with multiple RMON alarms.

### Before you begin

Make sure you have configured an SNMP user and enabled SNMP notifications.

### Procedure

	Command or Action	Purpose
<b>Step 1</b>	<p><b>configure terminal</b></p> <p><b>Example:</b></p> <pre>switch# configure terminal switch(config)#</pre>	Enters global configuration mode.
<b>Step 2</b>	<p><b>rmon event</b> <i>index</i> [<i>description string</i>] [<b>log</b>]  [<i>trap string</i>] [<i>owner name</i>]</p> <p><b>Example:</b></p> <pre>switch(config)# rmon event 1 trap trap1</pre>	Configures an RMON event. The description string, trap string, and owner name can be any alphanumeric string.

	Command or Action	Purpose
<b>Step 3</b>	(Optional) <b>show rmon events</b>  <b>Example:</b> switch(config)# show rmon events	Displays information about RMON events.
<b>Step 4</b>	(Optional) <b>copy running-config startup-config</b>  <b>Example:</b> switch(config)# copy running-config startup-config	Copies the running configuration to the startup configuration.

## Verifying the RMON Configuration

To display RMON configuration information, perform one of the following tasks:

Command	Purpose
<b>show rmon alarms</b>	Displays information about RMON alarms.
<b>show rmon events</b>	Displays information about RMON events.
<b>show rmon hcalarms</b>	Displays information about RMON high-capacity alarms.
<b>show rmon logs</b>	Displays information about RMON logs.

## Configuration Examples for RMON

This example shows how to create a delta rising alarm on ifInOctets.14 and associates a notification event with this alarm:

```
configure terminal
rmon alarm 20 1.3.6.1.2.1.2.2.1.14.1 2900 delta rising-threshold 1500 1 falling-threshold
0 owner test
rmon event 1 trap trap1
```

## Additional References

### Related Documents

Related Topic	Document Title
RMON CLI commands	<i>Cisco Nexus 7000 Series NX-OS System Management Command Reference</i>
VDCs and VRFs	<i>Cisco Nexus 7000 Series NX-OS Virtual Device Context Configuration Guide</i>

## MIBs

MIBs	MIBs Link
MIBs related to RMON	To locate and download supported MIBs, go to the following URL: <a href="ftp://ftp.cisco.com/pub/mibs/supportlists/nexus7000/Nexus7000MIBSupportList.html">ftp://ftp.cisco.com/pub/mibs/supportlists/nexus7000/Nexus7000MIBSupportList.html</a>

## Feature History for RMON

The table below summarizes the new and changed features for this document and shows the releases in which each feature is supported. Your software release might not support all the features in this document. For the latest caveats and feature information, see the Bug Search Tool at <https://tools.cisco.com/bugsearch/> and the release notes for your software release.

**Table 24: Feature History for RMON**

Feature Name	Releases	Feature Information
RMON	4.0(1)	This feature was introduced.





## CHAPTER 14

# Configuring Online Diagnostics

---

This chapter describes how to configure the generic online diagnostics (GOLD) feature on Cisco NX-OS devices.

This chapter contains the following sections:

- [Finding Feature Information, on page 215](#)
- [Information About Online Diagnostics, on page 215](#)
- [Licensing Requirements for Online Diagnostics, on page 222](#)
- [Guidelines and Limitations for Online Diagnostics, on page 223](#)
- [Default Settings for Online Diagnostics, on page 223](#)
- [Configuring Online Diagnostics, on page 224](#)
- [Verifying the Online Diagnostics Configuration, on page 228](#)
- [Configuration Examples for Online Diagnostics, on page 229](#)
- [Additional References, on page 230](#)
- [Feature History Table for Online Diagnostics, on page 230](#)

## Finding Feature Information

Your software release might not support all the features documented in this module. For the latest caveats and feature information, see the Bug Search Tool at <https://tools.cisco.com/bugsearch/> and the release notes for your software release. To find information about the features documented in this module, and to see a list of the releases in which each feature is supported, see the "New and Changed Information" chapter or the Feature History table in this chapter.

## Information About Online Diagnostics

Online diagnostics help you verify that hardware and internal data paths are operating as designed so that you can rapidly isolate faults.

## Online Diagnostics Overview

With online diagnostics, you can test and verify the hardware functionality of the device while the device is connected to a live network.

The online diagnostics contain tests that check different hardware components and verify the data path and control signals. Disruptive online diagnostic tests (such as the disruptive loopback test) and nondisruptive online diagnostic tests (such as the ASIC register check) run during bootup, line module online insertion and removal (OIR), and system reset. The nondisruptive online diagnostic tests run as part of the background health monitoring and you can run these tests on demand.

Online diagnostics are categorized as bootup, runtime or health-monitoring diagnostics, and on-demand diagnostics. Bootup diagnostics run during bootup, health-monitoring tests run in the background, and on-demand diagnostics run once or at user-designated intervals when the device is connected to a live network.

## Bootup Diagnostics

Bootup diagnostics run during bootup and detect faulty hardware before Cisco NX-OS brings a module online. For example, if you insert a faulty module in the device, bootup diagnostics test the module and take it offline before the device uses the module to forward traffic.

Bootup diagnostics also check the connectivity between the supervisor and module hardware and the data and control paths for all the ASICs.

Bootup diagnostics log failures to onboard failure logging (OBFL) and syslog and trigger a diagnostic LED indication (on, off, pass, or fail).

You can configure the device to either bypass the bootup diagnostics or to run the complete set of bootup diagnostics.



**Note** Bootup tests are not available on demand.

The following tables describe the bootup diagnostic tests for a module and a supervisor:

**Table 25: Bootup Diagnostic Tests for Modules**

Test Name	Description	Supported Modules	Unsupported Modules
EOBCPortLoopback	Disruptive test, not an on-demand test. Ethernet out of band	All F1, M1, M3, F2, F2e and F2 modules	—
OBFL	Verifies the integrity of the onboard failure logging (OBFL) flash.	All F1, M1, M3, F2, F2e and F2 modules	—
FIPS	Disruptive test; run only when FIPS is enabled on the system. An internal test that runs during module bootup to validate the security device on the module.	N7K-M148GS-11 N7K-M148GS-11L N7K-M108X2-12L N7K-M132XP-12 N7K-M132XP-12L All M2 Modules	N7K-M148GT-11 N7K-M148GT-11L All F1 Modules All F2 Modules N7K-F248XT-25E All F3 Modules All M3 Modules

Test Name	Description	Supported Modules	Unsupported Modules
BootupPortLoopback	Disruptive test, not an on-demand test. A PortLoopback test that runs only during module bootup.	N7K-M148GS-11 N7K-M148GS-11L N7K-M108X2-12L N7K-M132XP-12 N7K-M132XP-12L All M2 Modules All F1 Modules All F2 Modules All F2e Modules N77-M348XP-23L N77-M324FQ-25L	N7K-M148GT-11 N7K-M148GT-11L All F3 Modules

Table 26: Bootup Diagnostic Tests for Supervisors

Test Name	Description	Supported Modules	Unsupported Modules
USB	Nondisruptive test. Checks the USB controller initialization on a module.	Sup1, Sup2, and Sup2E	—
CryptoDevice	Nondisruptive test. Checks the Cisco Trusted Security (CTS) device initialization on a module.	Sup1	Sup2 and Sup2E
ManagementPortLoopback	Disruptive test, not an on-demand test. Tests loop back on the management port of a module.	Sup1, Sup2, and Sup2E	—
EOBCPortLoopback	Disruptive test, not an on-demand test. Ethernet out of band.	Sup1, Sup2, and Sup2E	—
OBFL	Verifies the integrity of the onboard failure logging (OBFL) flash.	Sup1, Sup2, and Sup2E	—

## Runtime or Health Monitoring Diagnostics

Runtime diagnostics are also called health monitoring (HM) diagnostics. These diagnostic tests provide information about the health of a live device. They detect runtime hardware errors, memory errors, the degradation of hardware modules over time, software faults, and resource exhaustion.

Runtime diagnostics are nondisruptive and run in the background to ensure the health of a device that is processing live network traffic. You can enable or disable runtime tests. You can change the runtime interval for a runtime test.



**Note** Recommended best practice: Do not change the runtime interval from the default value.

The following tables describe the runtime diagnostic tests for a module and a supervisor.

*Table 27: Runtime Diagnostic Tests for Modules*

Test Name	Description	Default Interval	Supported Modules	Unsupported Modules
ASICRegisterCheck	Checks read/write access to scratch registers for the ASICs on a module.	1 min	All modules	—
PrimaryBootROM	Verifies the integrity of the primary boot device on a module.	30 min	All modules	—
SecondaryBootROM	Verifies the integrity of the secondary boot device on a module.	30 min	All modules	—
PortLoopback	Checks diagnostics at a per-port basis on all Admin Down ports.	15 min	N7K-M148GS-11 RF N7K-M148GS-11L N7K-M108X2-12L N7K-M132XP-12 RF N7K-M132XP-12L N77-F348XP-23 All M2, F1, F2, F3, and F2e modules N77-M348XP-23L N77-M324FQ-25L	N7K-M148GT-11 N7K-M148GT-11L



Test Name	Description	Default Interval	Supported Modules	Unsupported Modules
RewriteEngineLoopback	This is a nondisruptive per-port loopback test, and hence can run on ports that are up as well. It is designed to monitor the fabric to LC connectivity and can detect supervisor and fabric failures.	1 min	All M1, M2, F2, and F2e modules N77-M348XP-23L N77-M324FQ-25L	All F1 and F3 modules
SnakeLoopback	Performs a nondisruptive loopback on all ports, even those ports that are not in the shut state. The ports are formed into a snake during module boot up, and the supervisor checks the snake connectivity periodically.	20 min	All F1, F2, and F2e modules	All M1, M2, M3, and F3 modules
InternalPortLoopback	Nondisruptive per-port loopback test, and hence can run on ports that are up as well.	5 min	All M2, F2, and F2e modules N77-M348XP-23L N77-M324FQ-25L	All M1, F1, and F3 modules

Table 28: Runtime Diagnostic Tests for Supervisors

Test Name	Description	Default Interval	Supported Supervisors	Unsupported Supervisors
ASICRegisterCheck	Checks read/write access to scratch registers for the ASICs on a module.	20 sec	Sup1, Sup2, and Sup2E	—
NVRam	Verifies the sanity of the NVRAM blocks on a supervisor.	5 min	Sup1, Sup2, and Sup2E	—

Test Name	Description	Default Interval	Supported Supervisors	Unsupported Supervisors
RealTimeClock	Verifies that the real-time clock on the supervisor is ticking.	5 min	Sup1, Sup2, and Sup2E	—
PrimaryBootROM	Verifies the integrity of the primary boot device on a module.	30 min	Sup1, Sup2, and Sup2E	—
SecondaryBootROM	Verifies the integrity of the secondary boot device on a module.	30 min	Sup1, Sup2, and Sup2E	—
CompactFlash	Verifies access to the internal compact flash devices.	30 min	Sup1, Sup2, and Sup2E	—
ExternalCompactFlash	Verifies access to the external compact flash devices.	30 min	Sup1, Sup2, and Sup2E	—
PwrMgmtBus	Verifies the standby power management control bus.	30 sec	Sup1, Sup2, and Sup2E	—
SpineControlBus	Verifies the availability of the standby spine module control bus.	30 sec	Sup1 and Sup2	Sup2E
SystemMgmtBus	Verifies the availability of the standby system management bus.	30 sec	Sup1, Sup2, and Sup2E	—
StatusBus	Verifies the status transmitted by the status bus for the supervisor, modules, and fabric cards.	30 sec	Sup1, Sup2, and Sup2E	—

Test Name	Description	Default Interval	Supported Supervisors	Unsupported Supervisors
StandbyFabricLoopback	Verifies the connectivity of the standby supervisor to the crossbars on the spine card.	30 sec	Sup1, Sup2, and Sup2E	—
PCIEBus	Verifies PCIe connectivity from the supervisor to the crossbar ASICs on the fabric cards.	30 sec	Sup2 and Sup2E	—

## Recovery Actions for Specified Health-Monitoring Diagnostics

Before Cisco NX-OS Release 6.2(8), runtime tests did not take corrective recovery actions when they detected a hardware failure. The default action through EEM included generating alerts (callhome, syslog) and logging (OBFL, exception logs). These actions are informative, but they did not remove faulty devices from the network, which can lead to network disruption, traffic black holing, and so forth. Before Cisco NX-OS Release 6.2(8), you must manually shut the devices to recover the network.

In Cisco NX-OS Release 6.2(8) and later releases, you can configure the system to take disruptive action if the system detects failure on one of the following runtime, or health-monitoring, tests:

- PortLoopback test
- RewriteEngineLoopback test
- SnakeLoopback test
- StandbyFabricLoopback test

The recovery actions feature is disabled by default. With this feature you can configure the system to take disruptive action as a result of repeated failures on the health-monitoring, or runtime, tests. This feature enables or disables the corrective, conservative action on all four tests, simultaneously; the corrective action taken differs for each test. After crossing the maximum consecutive failure count for that test, the system takes corrective action.

With the recovery actions feature enabled, the corrective action for each test is as follows:

- PortLoopback test—The system moves the port registering faults to an error-disabled state.
- RewriteEngineLoopback test—The system takes different corrective action depending on whether the fault is with the supervisor, the fabric, or the port, as follows:
  - On a chassis with a standby supervisor, when the system detects a fault with the supervisor, the system switches over to the standby supervisor. If there is no standby supervisor in the chassis, the system does not take any action.
  - After failures on the fabric, the system will reload the fabric 3 times. If failure persists, the system powers down the fabric.
  - After the failures on a port, the system moves the faulty port to the error-disabled state.

- SnakeLoopback test—After the test detects 10 consecutive failures with any port on the module, the system will move the faulty port to an error-disabled state.
- StandbyFabricLoopback test—The system attempts to reload the standby supervisor three times after it receives errors on this test. If the system cannot reload the standby supervisor, the system powers off the supervisor.

Finally, the system maintains a history of the recovery actions that includes details of each action, the testing type, and the severity. You can display these counters.

## On-Demand Diagnostics

On-demand tests help localize faults and are usually needed in one of the following situations:

- To respond to an event that has occurred, such as isolating a fault.
- In anticipation of an event that may occur, such as a resource exceeding its utilization limit.

You can run all the health monitoring tests on demand. You can schedule on-demand diagnostics to run immediately.

You can also modify the default interval for a health monitoring test.

## High Availability

A key part of high availability is detecting hardware failures and taking corrective action while the device runs in a live network. Online diagnostics in high availability detect hardware failures and provide feedback to high availability software components to make switchover decisions.

Cisco NX-OS supports stateless restarts for online diagnostics. After a reboot or supervisor switchover, Cisco NX-OS applies the running configuration.

## Virtualization Support

Cisco NX-OS supports online diagnostics in the default virtual device context (VDC) or, beginning with Cisco NX-OS Release 6.1, in the admin VDC. By default, Cisco NX-OS places you in the default VDC.

Online diagnostics are virtual routing and forwarding (VRF) aware. You can configure online diagnostics to use a particular VRF to reach the online diagnostics SMTP server.

## Licensing Requirements for Online Diagnostics

Product	License Requirement
Cisco NX-OS	Online diagnostics require no license. Any feature not included in a license package is bundled with the Cisco NX-OS image and is provided at no extra charge to you. For a complete explanation of the Cisco NX-OS licensing scheme, see the <i>Cisco NX-OS Licensing Guide</i> .

# Guidelines and Limitations for Online Diagnostics

Online diagnostics has the following configuration guidelines and limitations:

- You cannot run disruptive online diagnostic tests on demand.
- The F1 Series modules support the following tests: ASICRegisterCheck, PrimaryBootROM, SecondaryBootROM, EOBCPortLoopback, PortLoopback, and BootupPortLoopback.
- Support for the RewriteEngineLoopback and SnakeLoopback tests on F1 Series modules is deprecated in Cisco NX-OS Release 5.2.
- Beginning with Cisco NX-OS Release 6.1, F2 Series modules support the RewriteEngineLoopback and SnakeLoopback tests.
- Beginning with Cisco NX-OS Release 7.3(0)DX(1), M3 Series modules support generic online diagnostics.

The following generic online diagnostics supported on M3 series:

**Table 29: Generic Online Diagnostics Supported on M3 Series**

ASICRegisterCheck	Health Monitoring/On Demand
PrimaryBootROM	Health Monitoring/On Demand
SecondaryBootROM	Health Monitoring/On Demand
EOBCPortLoopback	Bootup test only
OBFL	Bootup test only
PortLoopback	Health Monitoring/On Demand when port admin down only
RewriteEngineLoopback	Health Monitoring/On Demand
IntPortLoopback	Health Monitoring/On Demand
BootupPortLoopback	Bootup test only

## Default Settings for Online Diagnostics

The following table lists the default settings for online diagnostic parameters.

Parameters	Default
Bootup diagnostics level	complete
Nondisruptive tests	active

# Configuring Online Diagnostics



**Note** Be aware that the Cisco NX-OS commands for this feature may differ from those commands used in Cisco IOS.

## Setting the Bootup Diagnostic Level

You can configure the bootup diagnostics to run the complete set of tests or you can bypass all bootup diagnostic tests for a faster module bootup time.



**Note** We recommend that you set the bootup online diagnostics level to complete. We do not recommend bypassing the bootup online diagnostics.

### Before you begin

Make sure that you are in the correct VDC. To change the VDC, use the **switchto vdc** command.

### Procedure

	Command or Action	Purpose
<b>Step 1</b>	switch# <b>configure terminal</b>	Enters global configuration mode.
<b>Step 2</b>	switch(config)# <b>diagnostic bootup level</b> { <b>complete</b>   <b>bypass</b> }	Configures the bootup diagnostic level to trigger diagnostics as follows when the device boots: <ul style="list-style-type: none"> <li>• <b>complete</b>—Perform all bootup diagnostics. The default is complete.</li> <li>• <b>bypass</b>—Do not perform any bootup diagnostics.</li> </ul>
<b>Step 3</b>	(Optional) switch(config)# <b>show diagnostic bootup level</b>	Displays the bootup diagnostic level (bypass or complete) that is currently in place on the device.
<b>Step 4</b>	(Optional) switch(config)# <b>copy running-config startup-config</b>	Copies the running configuration to the startup configuration.

## Activating a Diagnostic Test

You can set a diagnostic test as active and optionally modify the interval (in hours, minutes, and seconds) at which the test runs.



**Note** Recommended best practice: Do not change the runtime interval from the default value.

### Before you begin

Make sure that you are in the correct VDC. To change the VDC, use the **switchto vdc** command.

### Procedure

	Command or Action	Purpose
<b>Step 1</b>	switch# <b>configure terminal</b>	Enters global configuration mode.
<b>Step 2</b>	(Optional) switch(config)# <b>diagnostic monitor interval module slot test</b> [ <i>test-id</i>   <i>name</i>   <b>all</b> ] <b>hour</b> <i>hour</i> <b>min</b> <i>minute</i> <b>second</b> <i>second</i>	Configures the interval at which the specified test is run. If no interval is set, the test runs at the interval set previously, or the default interval.  The argument ranges are as follows: <ul style="list-style-type: none"> <li>• <i>slot</i>—The range is from 1 to 10.</li> <li>• <i>test-id</i>—The range is from 1 to 14.</li> <li>• <i>name</i>—Can be any case-sensitive, alphanumeric string up to 32 characters.</li> <li>• <i>hour</i>—The range is from 0 to 23 hours.</li> <li>• <i>minute</i>—The range is from 0 to 59 minutes.</li> <li>• <i>second</i>—The range is from 0 to 59 seconds.</li> </ul>
<b>Step 3</b>	switch(config)# [ <b>no</b> ] <b>diagnostic monitor module slot test</b> [ <i>test-id</i>   <i>name</i>   <b>all</b> ]	Activates the specified test.  The argument ranges are as follows: <ul style="list-style-type: none"> <li>• <i>slot</i>—The range is from 1 to 10.</li> <li>• <i>test-id</i>—The range is from 1 to 14.</li> <li>• <i>name</i>—Can be any case-sensitive, alphanumeric string up to 32 characters.</li> </ul> <p>The [<b>no</b>] form of this command inactivates the specified test. Inactive tests keep their current configuration but do not run at the scheduled interval.</p>
<b>Step 4</b>	(Optional) switch(config)# <b>show diagnostic content module</b> { <i>slot</i>   <b>all</b> }	Displays information about the diagnostics and their attributes.

## Setting a Diagnostic Test as Inactive

You can set a diagnostic test as inactive. Inactive tests keep their current configuration but do not run at the scheduled interval.

Use the following command in global configuration mode to set a diagnostic test as inactive:

Command	Purpose
<b>no diagnostic monitor module slot test [test-id name   all]</b>	<p>Inactivates the specified test.</p> <p>The following ranges are valid for the each keyword:</p> <ul style="list-style-type: none"> <li>• <b>slot</b> —The range is from 1 to 10.</li> <li>• <b>test-id</b> —The range is from 1 to 14.</li> <li>• <b>name</b> —Can be any case-sensitive alphanumeric string up to 32 characters</li> </ul>

## Configuring Corrective Action

You can configure the device to take corrective action when it detects failures on any of the following runtime diagnostic tests:

- PortLoopback
- RewriteEngineLoopback
- SnakeLoopback
- StandbyFabricLoopback



**Note** This feature enables or disables the corrective, conservative action on all four tests, simultaneously; the corrective action taken differs for each test.

### Before you begin

Make sure that you are in the correct VDC. To change the VDC, use the **switchto vdc** command.

### Procedure

	Command or Action	Purpose
<b>Step 1</b>	Required: switch# <b>configure terminal</b>	Enters global configuration mode.
<b>Step 2</b>	Required: switch(config)# [ <b>no</b> ] <b>diagnostic eem action conservative</b>	<p>Enables or disables corrective actions when the system detects failures on port loopback, rewrite engine loopback, snake loopback, internal port loopback and standby fabric loopback tests.</p> <p><b>Note</b> Use the <b>no</b> form of the command to disable these corrective actions.</p>
<b>Step 3</b>	switch# <b>event gold [failure-type {sup   fabric   lc   port}] module {module   all} test</b>	Triggers an event if the named online diagnostic test experiences the configured failure severity



	Command or Action	Purpose
	<code>{test-name   test-id} [severity {major   minor   moderate}] testing-type {bootup   monitoring   ondemand   scheduled} consecutive-failure count</code>	<p>for the configured number of consecutive failures.</p> <p>The <i>module</i> specifies the number of the module that needs to be monitored.</p> <p>The <i>test-name</i> is the name of a configured online diagnostic test. The <i>test-id</i> specifies the test ID of the event criteria. The range is from 1 to 30.</p> <p>The <i>count</i> range is from 1 to 1000.</p> <p><b>Note</b> This CLI command can be used to modify the consecutive failure count for GOLD system default policies.</p>

## Starting or Stopping an On-Demand Diagnostic Test

You can start or stop an on-demand diagnostic test. You can optionally modify the number of iterations to repeat this test, and the action to take if the test fails.

We recommend that you only manually start a disruptive diagnostic test during a scheduled network maintenance time.

### Before you begin

Make sure that you are in the correct VDC. To change the VDC, use the **switchto vdc** command.

### Procedure

	Command or Action	Purpose
<b>Step 1</b>	(Optional) <code>switch# diagnostic ondemand iteration number</code>	Configures the number of times that the on-demand test runs. The range is from 1 to 999. The default is 1.
<b>Step 2</b>	(Optional) <code>switch# diagnostic ondemand action-on-failure {continue failure-count num-fails   stop}</code>	Configures the action to take if the on-demand test fails. The <i>num-fails</i> range is from 1 to 999. The default is 1.
<b>Step 3</b>	Required: <code>switch# diagnostic start module slot test [test-id   name   all   non-disruptive] [port port-number   all]</code>	Starts one or more diagnostic tests on a module. The module slot range is from 1 to 10. The <i>test-id</i> range is from 1 to 14. The test name can be any case-sensitive, alphanumeric string up to 32 characters. The port range is from 1 to 48.
<b>Step 4</b>	Required: <code>switch# diagnostic stop module slot test [test-id   name   all]</code>	Stops one or more diagnostic tests on a module. The module slot range is from 1 to 10. The <i>test-id</i> range is from 1 to 14. The test name can be any case-sensitive, alphanumeric string up to 32 characters.

	Command or Action	Purpose
Step 5	(Optional) switch# <b>show diagnostic status</b> module <i>slot</i>	Verifies that the diagnostic has been scheduled.

## Clearing Diagnostic Results

You can clear diagnostic test results.

Use the following command in any mode to clear the diagnostic test results:

Command	Purpose
<b>diagnostic clear result module</b> [ <i>slot</i>   <b>all</b> ] <b>test</b> { <i>test-id</i>   <b>all</b> }	Clears the test result for the specified test.  The valid ranges are as follows: <ul style="list-style-type: none"> <li>• <i>slot</i>—The range is from 1 to 10.</li> <li>• <i>test-id</i>—The range is from 1 to 14.</li> </ul>

## Simulating Diagnostic Results

You can simulate diagnostic test results.

Use the following command in any mode to simulate a diagnostic test result or clear the simulated test results:

Command	Purpose
<b>diagnostic test simulation module</b> <i>slot</i> <b>test</b> <i>test-id</i> { <b>fail</b>   <b>random-fail</b>   <b>success</b> } [ <b>port</b> <i>number</i>   <b>all</b> ]	Simulates the test result for the specified test.  The valid ranges are as follows: <ul style="list-style-type: none"> <li>• <i>slot</i>—The range is from 1 to 10.</li> <li>• <i>test-id</i>—The range is from 1 to 14.</li> <li>• <b>port number</b>—The range is from 1 to 48.</li> </ul>
<b>diagnostic test simulation module</b> <i>slot</i> <b>test</b> <i>test-id</i> <b>clear</b>	Clears the simulated results for the specified test.  The valid ranges are as follows: <ul style="list-style-type: none"> <li>• <i>slot</i>—The range is from 1 to 10.</li> <li>• <i>test-id</i>—The range is from 1 to 14.</li> </ul>

## Verifying the Online Diagnostics Configuration

To display online diagnostics configuration information, perform one of the following tasks:

Command	Purpose
<b>show diagnostic bootup level</b>	Displays information about bootup diagnostics.
<b>show diagnostic content module</b> <i>{slot   all}</i>	Displays information about diagnostic test content for a module.
<b>show diagnostic description module</b> <i>slot test</i> [ <i>test-name</i>   <b>all</b> ]	Displays the diagnostic description.
<b>show diagnostic eem</b> [ <b>action</b> [ <b>description</b> ]   <b>policy module</b> <i>{module number   all}</i> ]	Displays the Embedded Event Manager (EEM) action level and the EEM policies configured for the level.
<b>show diagnostic events</b> [ <b>error</b>   <b>info</b> ]	Displays diagnostic events by error and information event type.
<b>show diagnostic ondemand setting</b>	Displays information about on-demand diagnostics.
<b>show diagnostic result module</b> <i>slot</i> [ <b>test</b> [ <i>test-name</i>   <b>all</b> ]] [ <b>detail</b> ]	Displays information about the results of a diagnostic.
<b>show diagnostic simulation module</b> <i>slot</i>	Displays information about a simulated diagnostic.
<b>show diagnostic status module</b> <i>slot</i>	Displays the test status for all tests on a module.
<b>show event manager events action-log event-type</b> [ <b>gold</b>   <b>gold_sup_failure</b>   <b>gold_fabric_failure</b>   <b>gold_module_failure</b>   <b>gold_port_failure</b> ]	Displays the recovery action history for the specified failure, including the number of switchovers, reloads, and poweroffs, as well as timestamp, failure reason, module-id, port list, test name, testing type, and severity. This data is maintained across ungraceful reloads.
<b>show hardware capacity</b> [ <b>eobc</b>   <b>forwarding</b>   <b>interface</b>   <b>module</b>   <b>power</b> ]	Displays information about the hardware capabilities and current hardware utilization by the system.
<b>show module</b>	Displays module information including the online diagnostic test status.

## Configuration Examples for Online Diagnostics

This example shows how to start all on-demand tests on module 6:

```
diagnostic start module 6 test all
```

This example shows how to activate test 2 and set the test interval on module 6:

```
configure terminal
diagnostic monitor module 6 test 2
diagnostic monitor interval module 6 test 2 hour 3 min 30 sec 0
```

## Additional References

For additional information related to implementing online diagnostics, see the following sections:

## Related Documents

Topics	Document Title
Online diagnostics CLI commands	<i>Cisco Nexus 7000 Series NX-OS System Management Command Reference</i>
VDCs and VRFs	<i>Cisco Nexus 7000 Series NX-OS Virtual Device Context Configuration Guide</i>

## Feature History Table for Online Diagnostics

The following table lists the release history for this feature.

Feature Name	Releases	Feature Information
Online diagnostics (GOLD)	73(0)DX(1)	Added support for M3 Series modules for the following diagnostic tests: ASICRegisterCheck, PrimaryBootROM, SecondaryBootROM, EOBCPortLoopback, OBFL, PortLoopback, RewriteEngineLoopback, IntPortLoopback, and IntPortLoopback.
Online diagnostics (GOLD)	72(0)D1(1)	This feature was introduced.
Online diagnostics (GOLD)	6.2(10)	<ul style="list-style-type: none"> <li>Added support for the N77-F348XP-23 module for the PortLoopback test.</li> <li>Added support for all M2, F2, and F2e modules for the InternalPortLoopback test.</li> </ul>
Recovery actions on specified health-monitoring diagnostics.	6.2(8)	Enables you to configure recovery actions for the following runtime diagnostic tests: PortLoopback, RewriteEngineLoopback, SnakeLoopback test , and StandbyFabricLoopback.
Online diagnostics (GOLD)	6.2(6)	Added support to all F3 modules except for N77-F348XP-23.

Feature Name	Releases	Feature Information
Online diagnostics (GOLD)	6.1(1)	<ul style="list-style-type: none"> <li>• Added support for Supervisor 2 and M2 Series modules.</li> <li>• Added support for F2 Series modules for the RewriteEngineLoopback and SnakeLoopback tests.</li> <li>• Added support for configuring online diagnostics in the admin VDC.</li> </ul>
Online diagnostics (GOLD)	5.2(1)	<ul style="list-style-type: none"> <li>• Enabled the SpineControlBus test on the standby supervisor.</li> <li>• Deprecated the SnakeLoopback test on F1 Series modules.</li> </ul>
Online diagnostics (GOLD)	5.1(2)	Added support for the SnakeLoopback test on F1 Series modules.
Online diagnostics (GOLD)	5.1(1)	Added support for the FIPS and BootupPortLoopback tests.
Online diagnostics (GOLD)	4.2(1)	Added support for the PortLoopback, StatusBus, and StandbyFabricLoopback tests.
Online diagnostics (GOLD)	4.0(1)	This feature was introduced.





## CHAPTER 15

# Configuring the Embedded Event Manager

This chapter describes how to configure the Embedded Event Manager (EEM) to detect and handle critical events on Cisco NX-OS devices.

This chapter includes the following sections:

- [Finding Feature Information, on page 233](#)
- [About EEM, on page 233](#)
- [Licensing Requirements for EEM, on page 238](#)
- [Prerequisites for EEM, on page 238](#)
- [Guidelines and Limitations for EEM, on page 238](#)
- [Default Settings for EEM, on page 239](#)
- [Configuring EEM, on page 239](#)
- [Verifying the EEM Configuration, on page 260](#)
- [Configuration Examples for EEM, on page 261](#)
- [Related Documents, on page 262](#)
- [Feature History for EEM, on page 262](#)

## Finding Feature Information

Your software release might not support all the features documented in this module. For the latest caveats and feature information, see the Bug Search Tool at <https://tools.cisco.com/bugsearch/> and the release notes for your software release. To find information about the features documented in this module, and to see a list of the releases in which each feature is supported, see the "New and Changed Information" chapter or the Feature History table in this chapter.

## About EEM

EEM monitors events that occur on your device and takes action to recover or troubleshoot these events, based on your configuration.

EEM consists of three major components:

- Event statements—Events to monitor from another Cisco NX-OS component that may require some action, workaround, or notification.

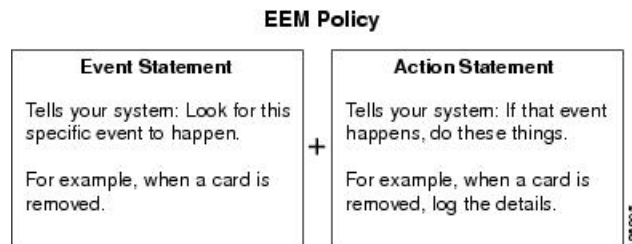
- Action statements—An action that EEM can take, such as sending an e-mail, or disabling an interface, to recover from an event.
- Policies—An event paired with one or more actions to troubleshoot or recover from the event.

## Policies

An EEM policy consists of an event statement and one or more action statements. The event statement defines the event to look for as well as the filtering characteristics for the event. The action statement defines the action EEM takes when the event occurs.

This figure shows the two basic statements in an EEM policy.

**Figure 2: EEM Policy Statements**



You can configure EEM policies using the command-line interface (CLI) or a VSH script.

EEM gives you a device-wide view of policy management. You configure EEM policies on the supervisor, and EEM pushes the policy to the correct module based on the event type. EEM takes any actions for a triggered event either locally on the module or on the supervisor (the default option).

EEM maintains event logs on the supervisor.

Cisco NX-OS has a number of preconfigured system policies. These system policies define many common events and actions for the device. System policy names begin with two underscore characters (\_\_\_).

You can create user policies to suit your network. If you create a user policy, any actions in your policy occur after EEM triggers any system policy actions related to the same event as your policy.

You can also override some system policies. The overrides that you configure take the place of the system policy. You can override the event or the actions.

Use the **show event manager system-policy** command to view the preconfigured system policies and determine which policies that you can override.




---

**Note** You should use the **show running-config eem** command to check the configuration of each policy. An override policy that consists of an event statement and no action statement triggers no action and no notification of failures.

---




---

**Note** Your override policy should always include an event statement. An override policy without an event statement overrides all possible events in the system policy.

---



The table below lists the system policies that can be completely overridden and policies that are only augmented.

System Policy	Can be completely overridden? <b>Note</b> Policies with default actions that cannot be completely overridden will be augmented.
__BootupPortLoopback	No
__FIPS	No
__IntPortLoopback	No
__PortLoopback	No
__RewriteEngineLoopback	No
__SnakeLoopback	No
__SwPortLoopback	No
__asic_register_check	Yes
__compact_flash	Yes
__eobc_port_loopback	Yes
__ethpm_debug_1	No
__ethpm_debug_2	No
__ethpm_debug_3	No
__ethpm_debug_4	No
__ethpm_link_flap	No
__external_compact_flash	Yes
__gold_obfl	Yes
__lcm_module_failure	Yes

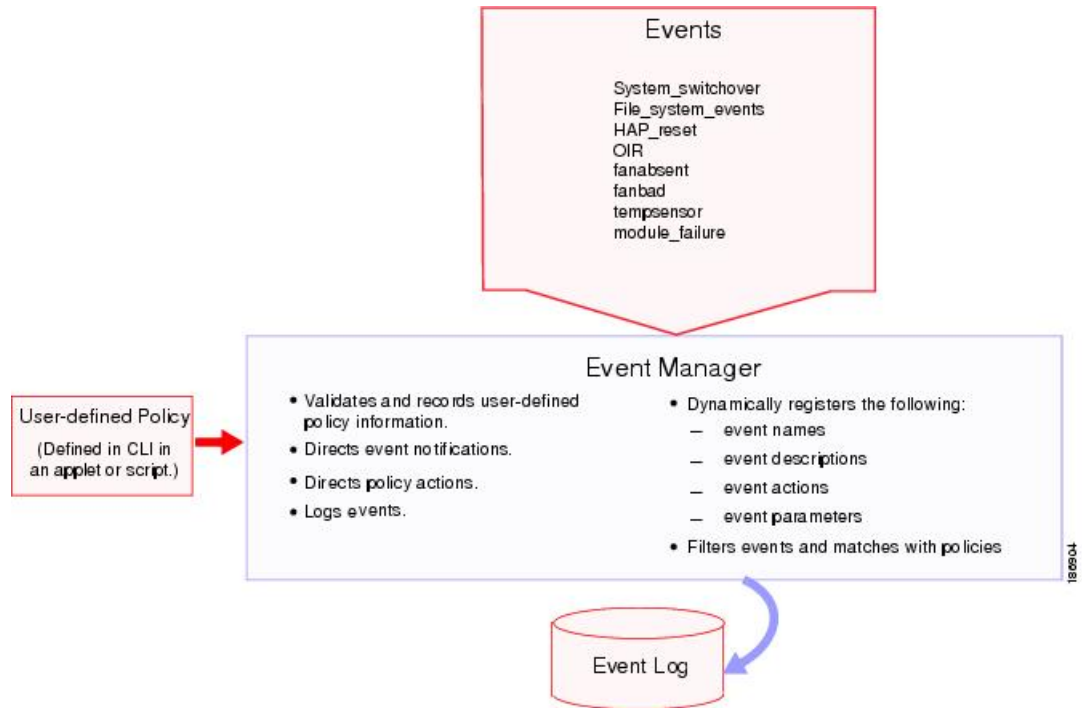
## Event Statements

An event is any device activity for which some action, such as a workaround or a notification, should be taken. In many cases, these events are related to faults in the device such as when an interface or a fan malfunctions.

EEM defines event filters so only critical events or multiple occurrences of an event within a specified time period trigger an associated action.

This figure shows events that are handled by EEM.

Figure 3: EEM Overview



Event statements specify the event that triggers a policy to run. You can configure multiple event triggers.

EEM schedules and runs policies on the basis of event statements. EEM examines the event and action commands and runs them as defined.



**Note** If you want to allow the triggered event to process any default actions, you must configure the EEM policy to allow the event default action statement.

## Action Statements

Action statements describe the action triggered by a policy. Each policy can have multiple action statements. If no action is associated with a policy, EEM still observes events but takes no actions.

EEM supports the following actions in action statements:

- Execute any CLI commands.
- Update a counter.
- Log an exception.
- Force the shutdown of any module.
- Reload the device.
- Shut down specified modules because the power is over budget.
- Generate a syslog message.

- Generate a Call Home event.
- Generate an SNMP notification.
- Use the default action for the system policy.




---

**Note** If you want to allow the triggered event to process any default actions, you must configure the EEM policy to allow the default action. For example, if you match a CLI command in a match statement, you must add the event-default action statement to the EEM policy or EEM will not allow the CLI command to execute.

---




---

**Note** Verify that your action statements within your user policy or overriding policy do not negate each other or adversely affect the associated system policy.

---

## VSH Script Policies

You can also write policies in a VSH script, using a text editor. These policies have an event statement and action statement(s) just as other policies, and these policies can either augment or override system policies. After you write your VSH script policy, copy it to the device and activate it.

## Environment Variables

You can define environment variables for EEM that are available for all policies. Environment variables are useful for configuring common values that you can use in multiple policies. For example, you can create an environment variable for the IP address of an external e-mail server.

You can use an environment variable in action statements by using the parameter substitution format.

This example shows a sample action statement to force a module 1 shutdown, with a reset reason of "EEM action."

```
switch (config-eem-policy)# action 1.0 forceshut module 1 reset-reason "EEM action."
```

If you define an environment variable for the shutdown reason, called default-reason, you can replace that reset reason with the environment variable, as shown in the following example.

```
switch (config-eem-policy)# action 1.0 foreshut module 1 reset-reason $default-reason
```

You can reuse this environment variable in any policy.

## EEM Event Correlation

You can trigger an EEM policy based on a combination of events. First, you use the **tag** keyword to create and differentiate multiple events in the EEM policy. Then using a set of boolean operators (**and**, **or**, **andnot**), along with the count and time, you can define a combination of these events to trigger a custom action.

## High Availability

Cisco NX-OS supports stateless restarts for EEM. After a reboot or supervisor switchover, Cisco NX-OS applies the running configuration.

## Virtualization Support

You configure EEM in the virtual device context (VDC) that you are logged into. By default, Cisco NX-OS places you in the default VDC. You must be in this VDC to configure policies for module-based events.

Not all actions or events are visible in all VDCs. You must have network-admin or vdc-admin privileges to configure policies.

See the *Cisco Nexus 7000 Series NX-OS Virtual Device Context Configuration Guide* for more information on VDCs.

## Licensing Requirements for EEM

Product	License Requirement
Cisco NX-OS	EEM requires no license. Any feature not included in a license package is bundled with the nx-os image and is provided at no extra charge to you. For a complete explanation of the Cisco NX-OS licensing scheme, see the <i>Cisco NX-OS Licensing Guide</i> .

## Prerequisites for EEM

EEM has the following prerequisites:

- The username: admin (with network-admin or vdc-admin user privileges) is required to configure EEM on a nondefault VDC.

## Guidelines and Limitations for EEM

EEM has the following configuration guidelines and limitations:

- The maximum number of configurable EEM policies is 500.
- Action statements within your user policy or overriding policy should not negate each other or adversely affect the associated system policy.
- If you want to allow a triggered event to process any default actions, you must configure the EEM policy to allow the default action. For example, if you match a CLI command in a match statement, you must add the event-default action statement to the EEM policy or EEM will not allow the CLI command to execute.

- An override policy that consists of an event statement and no action statement triggers no action and no notification of failures.
- An override policy without an event statement overrides all possible events in the system policy.
- The following rules apply to regular command expressions: all keywords must be expanded, and only the \* symbol can be used for argument replacement.
- EEM event correlation is supported only on the supervisor module.
- EEM event correlation is not supported across different modules within a single policy.
- EEM event correlation supports up to four event statements in a single policy. The event types can be the same or different, but only these event types are supported: cli, counter, module, module-failure, oir, snmp, and syslog.
- When more than one event statement is included in an EEM policy, each event statement must have a **tag** keyword with a unique tag argument.
- EEM event correlation does not override the system default policies.
- Default action execution is not supported for policies that are configured with tagged events.
- While using an EEM applet, the **copy r bootflash:last\_config** command prompts for overriding the configuration file if the same file name is present. You need to add the **terminal dont-ask** if you are prompted to proceed with overwriting a file in an EEM applet. Refer to the example given below.
 

```
event manager applet test
  event cli match "rollback *"
  action 1.0 cli command "terminal dont-ask"
  action 2.0 cli command "copy running-config bootflash:last_config"
  action 3.0 cli command "no terminal dont-ask"
```
- You can invoke EEM from Python. For more information about Python, see the *Cisco Nexus 7000 Series NX-OS Programmability Guide*.

## Default Settings for EEM

This table lists the default settings for EEM parameters.

Parameters	Default
System policies	Active

## Configuring EEM

You can create policies that contain actions to take based on system policies. To display information about the system policies, use the **show event manager system-policy** command.

## Defining an Environment Variable

You can define a variable to serve as a parameter in an EEM policy.

**Procedure**

	Command or Action	Purpose
<b>Step 1</b>	<b>configure terminal</b>  <b>Example:</b> switch# configure terminal switch(config)#	Enters global configuration mode.
<b>Step 2</b>	<b>event manager environment</b> <i>variable-name</i> <i>variable-value</i>  <b>Example:</b> switch(config)# event manager environment emailto "admin@anyplace.com"	Creates an environment variable for EEM. The <i>variable-name</i> can be any case-sensitive, alphanumeric string up to 29 characters. The <i>variable-value</i> can be any quoted alphanumeric string up to 39 characters.
<b>Step 3</b>	(Optional) <b>show event manager environment</b> { <i>variable-name</i>   <b>all</b> }  <b>Example:</b> switch(config)# show event manager environment all	Displays information about the configured environment variables.
<b>Step 4</b>	(Optional) <b>copy running-config startup-config</b>  <b>Example:</b> switch(config)# copy running-config startup-config	Copies the running configuration to the startup configuration.

## Defining a User Policy Using the CLI

You can define a user policy using the CLI to the device.

**Procedure**

	Command or Action	Purpose
<b>Step 1</b>	<b>configure terminal</b>  <b>Example:</b> switch# configure terminal switch(config)#	Enters global configuration mode.
<b>Step 2</b>	<b>event manager applet</b> <i>applet-name</i>  <b>Example:</b> switch(config)# event manager applet monitorShutdown switch(config-applet)#	Registers the applet with EEM and enters applet configuration mode. The <i>applet-name</i> can be any case-sensitive, alphanumeric string up to 29 characters.
<b>Step 3</b>	(Optional) <b>description</b> <i>policy-description</i>  <b>Example:</b> switch(config-applet)# description "Monitors interface shutdown."	Configures a descriptive string for the policy. The string can be any alphanumeric string up to 80 characters. Enclose the string in quotation marks.

	Command or Action	Purpose
<b>Step 4</b>	<b>event</b> <i>event-statement</i> <b>Example:</b> <pre>switch(config-applet)# event cli match "conf t ; interface * ; shutdown"</pre>	Configures the event statement for the policy. Repeat this step for multiple event statements. See <a href="#">Configuring Event Statements, on page 241</a> .
<b>Step 5</b>	(Optional) <b>tag</b> <i>tag</i> { <b>and</b>   <b>andnot</b>   <b>or</b> } <i>tag</i> [ <b>and</b>   <b>andnot</b>   <b>or</b> { <i>tag</i> }] { <b>happens</b> <i>occurs in seconds</i> } <b>Example:</b> <pre>switch(config-applet)# tag one or two happens 1 in 10000</pre>	Correlates multiple events in the policy.  The range for the <i>occurs</i> argument is from 1 to 4294967295. The range for the <i>seconds</i> argument is from 0 to 4294967295 seconds.
<b>Step 6</b>	<b>action</b> <i>label action-statement</i> <b>Example:</b> <pre>switch(config-applet)# action 1.0 cli show interface e 3/1</pre>	Configures an action statement for the policy. Repeat this step for multiple action statements. See <a href="#">Configuring Action Statements, on page 246</a> .
<b>Step 7</b>	(Optional) <b>show event manager policy-state</b> <i>name</i> [ <b>module</b> <i>module-id</i> ] <b>Example:</b> <pre>switch(config-applet)# show event manager policy-state monitorShutdown</pre>	Displays information about the status of the configured policy.
<b>Step 8</b>	(Optional) <b>copy running-config startup-config</b> <b>Example:</b> <pre>switch(config)# copy running-config startup-config</pre>	Copies the running configuration to the startup configuration.

## Configuring Event Statements

Use one of the following commands in Applet Configuration mode to configure an event statement:

Command	Purpose
<b>event application</b> [ <b>tag</b> <i>tag</i> ] <b>sub-system</b> <i>sub-system-id</i> <b>type</b> <i>event-type</i> <b>Example:</b> <pre>switch(config-applet)# event application sub-system 798 type 1</pre>	Triggers an event when an event specification matches the subsystem ID and application event type.  The range for the <i>sub-system-id</i> and for the <i>event-type</i> is from 1 to 4294967295.  The <b>tag</b> <i>tag</i> keyword-argument pair identifies this specific event when multiple events are included in the policy.  <b>Note</b> To use this command, you must first enable the <b>feature evmed</b> command to enable generic event detectors.

Command	Purpose
<p><b>event cli</b> [<b>tag tag</b>] <b>match</b> <i>expression</i> [<b>count repeats</b>   <b>time seconds</b>]</p> <p><b>Example:</b></p> <pre>switch(config-applet)# event cli match "conf t ; interface * ; shutdown"</pre>	<p>Triggers an event if you enter a command that matches the regular expression.</p> <p>The <b>tag tag</b> keyword-argument pair identifies this specific event when multiple events are included in the policy.</p> <p>The <i>repeats</i> range is from 1 to 65000. The time range, in seconds, is from 0 to 4294967295, where 0 indicates no time limit.</p>
<p><b>event counter</b> [<b>tag tag</b>] <b>name counter</b> <b>entry-val entry</b> <b>entry-op</b> {<b>eq</b>   <b>ge</b>   <b>gt</b>   <b>le</b>   <b>lt</b>   <b>ne</b>} [<b>exit-val exit</b> <b>exit-op</b> {<b>eq</b>   <b>ge</b>   <b>gt</b>   <b>le</b>   <b>lt</b>   <b>ne</b>}]</p> <p><b>Example:</b></p> <pre>switch(config-applet)# event counter name mycounter entry-val 20 gt</pre>	<p>Triggers an event if the counter crosses the entry threshold based on the entry operation. The event resets immediately. Optionally, you can configure the event to reset after the counter passes the exit threshold.</p> <p>The <b>tag tag</b> keyword-argument pair identifies this specific event when multiple events are included in the policy.</p> <p>The <i>counter</i> name can be any case-sensitive, alphanumeric string up to 28 characters. The <i>entry</i> and <i>exit</i> value ranges are from 0 to 2147483647.</p>
<p><b>event fanabsent</b> [<b>fan number</b>] <b>time seconds</b></p> <p><b>Example:</b></p> <pre>switch(config-applet)# event fanabsent time 300</pre>	<p>Triggers an event if a fan is removed from the device for more than the configured time, in seconds. The <i>number</i> range is module dependent. The <i>seconds</i> range is from 10 to 64000.</p>
<p><b>event fanbad</b> [<b>fan number</b>] <b>time seconds</b></p> <p><b>Example:</b></p> <pre>switch(config-applet)# event fanbad time 3000</pre>	<p>Triggers an event if a fan fails for more than the configured time, in seconds. The <i>number</i> range is module dependent. The <i>seconds</i> range is from 10 to 64000.</p>
<p><b>event fib</b> {<b>adjacency extra</b>   <b>resource tcam usage</b>   <b>route {extra   inconsistent   missing}}</b>}</p> <p><b>Example:</b></p> <pre>switch(config-applet)# event fib adjacency extra</pre>	<p>Triggers an event for one of the following:</p> <ul style="list-style-type: none"> <li>• <b>adjacency extra</b>—If there is an extra route in the unicast FIB.</li> <li>• <b>resource tcam usage</b>—Each time the TCAM utilization percentage becomes a multiple of 5, in either direction.</li> <li>• <b>route {extra   inconsistent   missing}</b>—If a route is added, changed, or deleted in the unicast FIB.</li> </ul>



Command	Purpose
<p><b>event gold</b> [<b>failure-type</b> {<b>sup</b>   <b>fabric</b>   <b>lc</b>   <b>port</b>}] <b>module</b> {<b>module</b>   <b>all</b>} <b>test</b> {<b>test-name</b>   <b>test-id</b>} [<b>severity</b> {<b>major</b>   <b>minor</b>   <b>moderate</b>}] <b>testing-type</b> {<b>bootup</b>   <b>monitoring</b>   <b>ondemand</b>   <b>scheduled</b>} <b>consecutive-failure</b> <i>count</i></p> <p><b>Example:</b></p> <pre>switch(config-applet)# event gold failure-type module 2 test 7 ASICRegisterCheck testing-type ondemand consecutive-failure 2</pre>	<p>Triggers an event if the named online diagnostic test experiences the configured failure severity for the configured number of consecutive failures.</p> <p>The <i>module</i> specifies the number of the module that needs to be monitored.</p> <p>The <i>test-name</i> is the name of a configured online diagnostic test. The <i>test-id</i> specifies the test ID of the event criteria. The range is from 1 to 30.</p> <p>The <i>count</i> range is from 1 to 1000.</p>
<p><b>event interface</b> [<b>tag</b> <i>tag</i>] {<b>name</b> <i>interface slot/port</i> <b>parameter</b>}</p> <p><b>Example:</b></p> <pre>switch(config-applet)# event interface ethernet 2/2 parameter</pre>	<p>Triggers an event if the counter is exceeded for the specified interface.</p> <p>The <b>tag</b> <i>tag</i> keyword-argument pair identifies this specific event when multiple events are included in the policy.</p> <p><b>Note</b> To use this command, you must first enable the <b>feature evmed</b> command to enable generic event detectors.</p>
<p><b>event memory</b> {<b>critical</b>   <b>minor</b>   <b>severe</b>}</p> <p><b>Example:</b></p> <pre>switch(config-applet)# event memory critical</pre>	<p>Triggers an event if a memory threshold is crossed. See also <a href="#">Configuring Memory Thresholds, on page 257</a>.</p>
<p><b>event module</b> [<b>tag</b> <i>tag</i>] <b>status</b> {<b>online</b>   <b>offline</b>   <b>any</b>} <b>module</b> {<b>all</b>   <i>module-num</i>}</p> <p><b>Example:</b></p> <pre>switch(config-applet)# event module status offline module all</pre>	<p>Triggers an event if the specified module enters the selected status.</p> <p>The <b>tag</b> <i>tag</i> keyword-argument pair identifies this specific event when multiple events are included in the policy.</p>
<p><b>event module-failure</b> [<b>tag</b> <i>tag</i>] <b>type</b> <i>failure-type</i> <b>module</b> {<i>slot</i>   <b>all</b>} <b>count</b> <i>repeats</i> [<b>time</b> <i>seconds</i>]</p> <p><b>Example:</b></p> <pre>switch(config-applet)# event module-failure type lc-failed module 3 count 1</pre>	<p>Triggers an event if a module experiences the failure type configured.</p> <p>The <b>tag</b> <i>tag</i> keyword-argument pair identifies this specific event when multiple events are included in the policy.</p> <p>The <i>repeats</i> range is from 0 to 4294967295. The <i>seconds</i> range is from 0 to 4294967295, where 0 indicates no time limit.</p>

Command	Purpose
<p><b>event none</b></p> <p><b>Example:</b></p> <pre>switch(config-applet)# event none</pre>	<p>Manually runs the policy event without any events specified.</p> <p><b>Note</b> To use this command, you must first enable the <b>feature evmed</b> command to enable generic event detectors.</p>
<p><b>event oir</b> [<b>tag tag</b>] {<b>fan</b>   <b>module</b>   <b>powersupply</b>} {<b>anyoir</b>   <b>insert</b>   <b>remove</b>} [<i>number</i>]</p> <p><b>Example:</b></p> <pre>switch(config-applet)# event oir fan remove 4</pre>	<p>Triggers an event if the configured device element (fan, module, or power supply) is inserted or removed from the device.</p> <p>The <b>tag tag</b> keyword-argument pair identifies this specific event when multiple events are included in the policy.</p> <p>You can optionally configure a specific fan, module, or power supply number. The <i>number</i> range is as follows:</p> <ul style="list-style-type: none"> <li>• Fan number—Module dependent.</li> <li>• Module number—Device dependent.</li> <li>• Power supply number—The range is from 1 to 3.</li> </ul>
<p><b>event policy-default count</b> <i>repeats</i> [<b>time seconds</b>]</p> <p><b>Example:</b></p> <pre>switch(config-applet)# event policy-default count 3</pre>	<p>Uses the event configured in the system policy. Use this option for overriding policies.</p> <p>The <i>repeats</i> range is from 1 to 65000. The <i>seconds</i> range is from 0 to 4294967295, where 0 indicates no time limit.</p>
<p><b>event poweroverbudget</b></p> <p><b>Example:</b></p> <pre>switch(config-applet)# event poweroverbudget</pre>	<p>Triggers an event if the power budget exceeds the capacity of the configured power supplies.</p>

Command	Purpose
<p><b>event snmp</b> [<b>tag tag</b>] <b>oid oid</b> <b>get-type</b> {<b>exact</b>   <b>next</b>} <b>entry-op</b> {<b>eq</b>   <b>ge</b>   <b>gt</b>   <b>le</b>   <b>lt</b>   <b>ne</b>} <b>entry-val entry</b> [<b>exit-comb</b> {<b>and</b>   <b>or</b>}] <b>exit-op</b> {<b>eq</b>   <b>ge</b>   <b>gt</b>   <b>le</b>   <b>lt</b>   <b>ne</b>} <b>exit-val exit</b> <b>exit-time time</b> <b>polling-interval interval</b></p> <p><b>Example:</b></p> <pre>switch(config-applet)# event snmp oid 1.3.6.1.2.1.31.1.1.1.6 get-type next entry-op lt 300 entry-val 0 exit-op eq 400 exit-time 30 polling-interval 300</pre>	<p>Triggers an event if the SNMP OID crosses the entry threshold based on the entry operation. The event resets immediately, or optionally you can configure the event to reset after the counter passes the exit threshold. The OID is in dotted decimal notation.</p> <p>The <b>tag tag</b> keyword-argument pair identifies this specific event when multiple events are included in the policy.</p> <p>The <b>entry</b> and <b>exit</b> value ranges are from 0 to 18446744073709551615. The time, in seconds, is from 0 to 2147483647. The interval, in seconds, is from 1 to 2147483647.</p>
<p><b>event storm-control</b></p> <p><b>Example:</b></p> <pre>switch(config-applet)# event storm-control</pre>	<p>Triggers an event if traffic on a port exceeds the configured storm control threshold.</p>
<p><b>event syslog</b> [<b>occurs count</b>] {<b>pattern string</b>   <b>period time</b>   <b>priority level</b>   <b>tag tag</b>}</p> <p><b>Example:</b></p> <pre>switch(config-applet)# event syslog period 500</pre>	<p>Triggers an event if the specified syslog threshold is exceeded. The range for the count is from 1 to 65000, and the range for the time is from 1 to 4294967295. The priority range is from 0 to 7.</p> <p>The <b>tag tag</b> keyword-argument pair identifies this specific event when multiple events are included in the policy.</p>
<p><b>event sysmgr memory</b> [<b>module module-num</b>] <b>major major-percent</b> <b>minor minor-percent</b> <b>clear clear-percent</b></p> <p><b>Example:</b></p> <pre>switch(config-applet)# event sysmgr memory minor 80</pre>	<p>Triggers an event if the specified system manager memory threshold is exceeded. The range for the percentage is from 1 to 99.</p>
<p><b>event sysmgr switchover count count time interval</b></p> <p><b>Example:</b></p> <pre>switch(config-applet)# event sysmgr switchover count 10 time 1000</pre>	<p>Triggers an event if the specified switchover count is exceeded within the time interval specified. The switchover count is from 1 to 65000. The time interval is from 0 to 2147483647.</p>
<p><b>event temperature</b> [<b>module slot</b>] [<b>sensor-number</b>] <b>threshold</b> {<b>any</b>   <b>major</b>   <b>minor</b>}</p> <p><b>Example:</b></p> <pre>switch(config-applet)# event temperature module 2 threshold any</pre>	<p>Triggers an event if the temperature sensor exceeds the configured threshold. The sensor range is from 1 to 18.</p>

Command	Purpose
<p><b>event timer</b> {<b>absolute time</b> <i>time name name</i>   <b>countdown time</b> <i>time name name</i>   <b>cron cronentry string</b>   <b>tag tag</b>   <b>watchdog time</b> <i>time name name</i>}</p> <p><b>Example:</b></p> <pre>switch(config-applet)# event timer absolute time 100 name abtimer</pre>	<p>Triggers an event if the specified time is reached. The range for the time is from 1 to 4294967295.</p> <ul style="list-style-type: none"> <li>• <b>absolute time</b>—Triggers an event when the specified absolute time of day occurs.</li> <li>• <b>countdown time</b>—Triggers an event when when the specified time counts down to zero. The timer does not reset.</li> <li>• <b>cron cronentry</b>—Triggers an event when the CRON string specification matches the current time.</li> <li>• <b>watchdog time</b>—Triggers an event when the specified time counts down to zero. The timer automatically resets to the initial value and continues to count down.</li> </ul> <p>The <b>tag tag</b> keyword-argument pair identifies this specific event when multiple events are included in the policy.</p> <p><b>Note</b> To use this command, you must first enable the <b>feature evmed</b> command to enable generic event detectors.</p>
<p><b>event track</b> [<b>tag tag</b>] <i>object-number state {any   down   up}</i></p> <p><b>Example:</b></p> <pre>switch(config-applet)# event track 1 state down</pre>	<p>Triggers an event if the tracked object is in the configured state.</p> <p>The <b>tag tag</b> keyword-argument pair identifies this specific event when multiple events are included in the policy.</p> <p>The <i>object-number</i> range is from 1 to 500.</p>

## Configuring Action Statements

Use any of the following commands in Applet configuration (config-applet) mode to configure action statements:

Command	Purpose
<p><b>action label cli command1 [command2...] [local]</b></p> <p><b>Example:</b></p> <pre>switch(config-applet)# action 1.0 cli "show interface e 3/1"</pre>	<p>Runs the configured CLI commands. You can optionally run the commands on the module where the event occurred.</p> <p>The action label is in the format <code>number1.number2</code>. <i>number1</i> can be any number up to 16 digits. The range for <i>number2</i> is from 0 to 9.</p>
<p><b>action label counter name counter value val op {dec   inc   nop   set}</b></p> <p><b>Example:</b></p> <pre>switch(config-applet)# action 2.0 counter name mycounter value 20 op inc</pre>	<p>Modifies the counter by the configured value and operation.</p> <p>The action label is in the format <code>number1.number2</code>. <i>number1</i> can be any number up to 16 digits. The range for <i>number2</i> is from 0 to 9.</p> <p>The counter name can be any case-sensitive, alphanumeric string up to 28 characters. The <i>val</i> can be an integer from 0 to 2147483647 or a substituted parameter.</p>
<p><b>action label event-default</b></p> <p><b>Example:</b></p> <pre>switch(config-applet)# action 1.0 event-default</pre>	<p>Executes the default action for the associated event.</p> <p>The action label is in the format <code>number1.number2</code>. <i>number1</i> can be any number up to 16 digits. The range for <i>number2</i> is from 0 to 9.</p>
<p><b>action label forceshut [module slot   xbar xbar-number] reset-reason seconds</b></p> <p><b>Example:</b></p> <pre>switch(config-applet)# action 1.0 forceshut module 2 reset-reason "flapping links"</pre>	<p>Forces a module, crossbar, or the entire system to shut down.</p> <p>The action label is in the format <code>number1.number2</code>. <i>number1</i> can be any number up to 16 digits. The range for <i>number2</i> is from 0 to 9.</p> <p>The reset reason is a quoted alphanumeric string up to 80 characters.</p>
<p><b>action label overbudgetshut [module slot[-slot]]</b></p> <p><b>Example:</b></p> <pre>switch(config-applet)# action 1.0 overbudgetshut module 3-5</pre>	<p>Forces one or more modules or the entire system to shut down because of a power overbudget issue.</p> <p>The action label is in the format <code>number1.number2</code>. <i>number1</i> can be any number up to 16 digits. The range for <i>number2</i> is from 0 to 9.</p>

Command	Purpose
<p><b>action label policy-default</b></p> <p><b>Example:</b></p> <pre>switch(config-applet)# action 1.0 policy-default</pre>	<p>Executes the default action for the policy that you are overriding.</p> <p>The action label is in the format <code>number1.number2</code>. <i>number1</i> can be any number up to 16 digits. The range for <i>number2</i> is from 0 to 9.</p>
<p><b>action label publish-event</b></p> <p><b>Example:</b></p> <pre>switch(config-applet)# action 1.0 publish-event</pre>	<p>Forces the publication of an application-specific event.</p> <p>The action label is in the format <code>number1.number2</code>. <i>number1</i> can be any number up to 16 digits. The range for <i>number2</i> is from 0 to 9.</p>
<p><b>action label reload [module slot[-slot]]</b></p> <p><b>Example:</b></p> <pre>switch(config-applet)# action 1.0 reload module 3-5</pre>	<p>Forces one or more modules or the entire system to reload.</p> <p>The action label is in the format <code>number1.number2</code>. <i>number1</i> can be any number up to 16 digits. The range for <i>number2</i> is from 0 to 9.</p>
<p><b>action label snmp-trap {[intdata1 data [intdata2 data]] [strdata string]}</b></p> <p><b>Example:</b></p> <pre>switch(config-applet)# action 1.0 snmp-trap strdata "temperature problem"</pre>	<p>Sends an SNMP trap with the configured data.</p> <p>The action label is in the format <code>number1.number2</code>. <i>number1</i> can be any number up to 16 digits. The range for <i>number2</i> is from 0 to 9.</p> <p>The <i>data</i> arguments can be any number up to 80 digits. The <i>string</i> can be any alphanumeric string up to 80 characters.</p>
<p><b>action label syslog [priority prio-val] msg error-message</b></p> <p><b>Example:</b></p> <pre>switch(config-applet)# action 1.0 syslog priority notifications msg "cpu high"</pre>	<p>Sends a customized syslog message at the configured priority.</p> <p>The action label is in the format <code>number1.number2</code>. <i>number1</i> can be any number up to 16 digits. The range for <i>number2</i> is from 0 to 9.</p> <p>The <i>error-message</i> can be any quoted alphanumeric string up to 80 characters.</p>
<p><b>action label end</b></p> <p><b>Example:</b></p> <pre>switch(config-applet)# action 1.0 end</pre>	<p>Identifies the end of a conditional action block like <code>if/else</code> and <code>while</code>.</p> <p>The action label is in the format <code>number1.number2</code>. <i>number1</i> can be any number up to 16 digits. The range for <i>number2</i> is from 0 to 9.</p>

Command	Purpose
<p><b>action label exit</b> [<i>result</i> ]</p> <p><b>Example:</b></p> <pre>switch(config-applet)# action 1.0 exit 25</pre>	<p>Exits from the applet configuration mode that is currently running.</p> <p>The action label is in the format <i>number1.number2</i>. <i>number</i> can be any number up to 16 digits. The range for <i>number2</i> is from 0 to 9.</p>
<p><b>action label else</b></p> <p><b>Example:</b></p> <pre>switch(config-applet)# action 1.0 else</pre>	<p>Identifies the beginning of an <i>else</i> conditional action block in an <i>if/else</i> action block.</p> <p>The action label is in the format <i>number1.number2</i>. <i>number1</i> can be any number up to 16 digits. The range for <i>number2</i> is from 0 to 9.</p>
<p><b>action label elseif</b> <i>string-1</i> {<b>eq</b>   <b>gt</b>   <b>ge</b>   <b>lt</b>   <b>le</b>   <b>ne</b>} <i>string-2</i></p> <pre>switch(config-applet)# action 1.0 elseif \$x ge 10</pre>	<p>Identifies the beginning of an <i>elseif</i> conditional action block in an <i>else/if</i> action block.</p> <p>The action label is in the format <i>number1.number2</i>. <i>number1</i> can be any number up to 16 digits. The range for <i>number2</i> is from 0 to 9.</p>
<p><b>action label if</b> <i>string-1</i> {<b>eq</b>   <b>gt</b>   <b>ge</b>   <b>lt</b>   <b>le</b>   <b>ne</b>} <i>string-2</i></p> <pre>switch(config-applet)# action 1.0 if \$x lt 10</pre>	<p>Identifies the beginning of an <i>if</i> conditional action block.</p> <p>The action label is in the format <i>number1.number2</i>. <i>number1</i> can be any number up to 16 digits. The range for <i>number2</i> is from 0 to 9.</p>
<p><b>action label if</b> <i>string-1</i> {<b>eq</b>   <b>gt</b>   <b>ge</b>   <b>lt</b>   <b>le</b>   <b>ne</b>} <i>string-2</i> <b>goto</b> <i>label</i></p> <pre>switch(config-applet)# action 2.0 if \$x lt 10 goto 1.0</pre>	<p>Instructs the applet to jump to a given label if the specified condition is true.</p> <p>The action label is in the format <i>number1.number2</i>. <i>number1</i> can be any number up to 16 digits. The range for <i>number2</i> is from 0 to 9.</p>
<p><b>action label puts</b> <i>string</i></p> <p><b>Example:</b></p> <pre>switch(config-applet)# action 2.0 puts "Hello world"</pre>	<p>Enables the action of printing data directly to the terminal.</p> <p>The action label is in the format <i>number1.number2</i>. <i>number1</i> can be any number up to 16 digits. The range for <i>number2</i> is from 0 to 9.</p>

Command	Purpose
<p><b>action label add</b> <i>{long-integer   variable-name} {long-integer   variable-name}</i></p> <p><b>Example:</b></p> <pre>switch(config-applet)# action 2.0 add \$var1 10</pre>	<p>Specifies the action of adding two variables.</p> <p>The action label is in the format <code>number1.number2</code>. <i>number1</i> can be any number up to 16 digits. The range for <i>number2</i> is from 0 to 9.</p>
<p><b>action label decrement</b> <i>variable-name long-integer</i></p> <p><b>Example:</b></p> <pre>switch(config-applet)# action 1.0 decrement \$varname 12</pre>	<p>Specifies the action of decrementing the value of a variable.</p> <p>The action label is in the format <code>number1.number2</code>. <i>number1</i> can be any number up to 16 digits. The range for <i>number2</i> is from 0 to 9.</p>
<p><b>action label increment</b> <i>variable-name long-integer</i></p> <p><b>Example:</b></p> <pre>switch(config-applet)# action 2.0 increment \$varname 12</pre>	<p>Specifies the action of incrementing the value of a variable.</p> <p>The action label is in the format <code>number1.number2</code>. <i>number1</i> can be any number up to 16 digits. The range for <i>number2</i> is from 0 to 9.</p>
<p><b>action label multiply</b> <i>{long-integer1   variable-name1} {long-integer2   variable-name2}</i></p> <pre>switch(config-applet)# action 2.0 multiply 12 35</pre>	<p>Specifies the action of multiplying a variable value with a long integer value.</p> <p>The action label is in the format <code>number1.number2</code>. <i>number1</i> can be any number up to 16 digits. The range for <i>number2</i> is from 0 to 9.</p>
<p><b>action label subtract</b> <i>{long-integer1   variable-name1} {long-integer2   variable-name2}</i></p> <p><b>Example:</b></p> <pre>switch(config-applet)# action 2.0 subtract \$var1 \$var2</pre>	<p>Specifies the action of subtracting the value of a variable from another one.</p> <p>The action label is in the format <code>number1.number2</code>. <i>number1</i> can be any number up to 16 digits. The range for <i>number2</i> is from 0 to 9.</p>
<p><b>action label comment</b> <i>string</i></p> <p><b>Example:</b></p> <pre>switch(config-applet)# action 2.0 comment keyvalue</pre>	<p>Adds comments to applets.</p> <p>The action label is in the format <code>number1.number2</code>. <i>number1</i> can be any number up to 16 digits. The range for <i>number2</i> is from 0 to 9.</p>
<p><b>action label break</b></p> <p><b>Example:</b></p> <pre>switch(config-applet)# action 2.0 break</pre>	<p>Specifies the action of exiting from a loop of actions.</p> <p>The action label is in the format <code>number1.number2</code>. <i>number1</i> can be any number up to 16 digits. The range for <i>number2</i> is from 0 to 9.</p>



Command	Purpose
<p><b>action label continue</b></p> <p><b>Example:</b></p> <pre>switch(config-applet)# action 2.0 continue</pre>	<p>Specifies the action of continuing with a loop of actions.</p> <p>The action label is in the format <code>number1.number2</code>. <i>number1</i> can be any number up to 16 digits. The range for <i>number2</i> is from 0 to 9.</p>
<p><b>action label foreach string-iterator string-input [string-delimiter]</b></p> <p><b>Example:</b></p> <pre>switch(config-applet)# action 3.1 foreach _iterator "orange blue green"</pre>	<p>Specifies the iteration of an input string using the delimiter as the tokenizing pattern.</p> <p>The action label is in the format <code>number1.number2</code>. <i>number1</i> can be any number up to 16 digits. The range for <i>number2</i> is from 0 to 9.</p>
<p><b>action label while string-op-1 operator string-op-2</b></p> <p><b>Example:</b></p> <pre>switch(config-applet)# action 3.2 while \$i lt 10</pre>	<p>Identifies the beginning of a loop action block.</p> <p>The action label is in the format <code>number1.number2</code>. <i>number1</i> can be any number up to 16 digits. The range for <i>number2</i> is from 0 to 9.</p> <p>Valid values for <i>operator</i> are: ge, gt, eq, ne, lt, le.</p>

Use any of the following action commands in Applet Configuration (config-applet) mode to enable string operations.

Command	Purpose
<p><b>action label append var-name [var-value]</b></p> <pre>switch(config-applet)# action 4.2 append \$var 12</pre>	<p>Specifies the action of appending the string value to the current value of a variable.</p> <p>The action label is in the format <code>number1.number2</code>. <i>number1</i> can be any number up to 16 digits. The range for <i>number2</i> is from 0 to 9. If the variable does not exist, it will be created and set to the given value.</p>
<p><b>action label regexp string-pattern string-input [string-match [string-submatch1] [string-submatch2] [string-submatch3]]</b></p> <pre>switch(config-applet)# action 4.3 regexp "(.*) (.*)" "one two three" _match _sub1</pre>	<p>Matches the regular expression in <i>string-pattern</i> on the <i>string-input</i>. <i>string-match</i> and <i>string-submatch</i> store the results of the match.</p> <p>The action label is in the format <code>number1.number2</code>. <i>number1</i> can be any number up to 16 digits. The range for <i>number2</i> is from 0 to 9.</p>

Command	Purpose
<p><b>action label string compare</b> [<b>nocase</b>] [<b>length integer</b>] <i>string1 string2</i></p> <pre>switch(config-applet)# action 4.5 string compare nocase length 3</pre>	<p>Compares two unequal strings. The result is stored in the inbuilt variable <code>\$_string_result</code>.</p> <p>The action label is in the format <code>number1.number2</code>. <i>number1</i> can be any number up to 16 digits. The range for <i>number2</i> is from 0 to 9.</p>
<p><b>action label string equal</b> [<b>nocase</b>] [<b>length integer</b>] <i>string1 string2</i></p> <pre>switch(config-applet)# action 4.5 string equal "contains" "data"</pre>	<p>Compares two strings and returns 1 if the two strings are equal. The result is stored in the inbuilt variable <code>\$_string_result</code>.</p> <p>The action label is in the format <code>number1.number2</code>. <i>number1</i> can be any number up to 16 digits. The range for <i>number2</i> is from 0 to 9.</p>
<p><b>action label string first</b> <i>string1 string2</i> [<i>index-value</i>]</p> <pre>switch(config-applet)# action 4.6 string first "contains" \$str</pre>	<p>Returns the index of the first occurrence of <i>string1</i> within <i>string2</i>. <i>index-value</i> is optional and indicates the position to start the first test.</p> <p>The action label is in the format <code>number1.number2</code>. <i>number1</i> can be any number up to 16 digits. The range for <i>number2</i> is from 0 to 9.</p>
<p><b>action label string index</b> <i>string</i> [<i>value</i>   <i>end</i>]</p> <pre>switch(config-applet)# action 4.7 string index "this is a test" 6</pre>	<p>Returns the characters specified at the given <i>index-value</i>. <i>end</i> denotes the last character of the string. The characters are stored in the inbuilt variable <code>\$_string_result</code>.</p> <p>The action label is in the format <code>number1.number2</code>. <i>number1</i> can be any number up to 16 digits. The range for <i>number2</i> is from 0 to 9.</p>
<p><b>action label string last</b> <i>string1 string2</i> [<i>index-value</i>]</p> <pre>switch(config-applet)# action 4.9 string last "contains" \$str</pre>	<p>Returns the index of the last occurrence of <i>string1</i> within <i>string2</i>.</p> <p>The action label is in the format <code>number1.number2</code>. <i>number1</i> can be any number up to 16 digits. The range for <i>number2</i> is from 0 to 9.</p>
<p><b>action label string length</b> <i>string</i></p> <pre>switch(config-applet)# action 5.0 string length "contains"</pre>	<p>Returns the number of characters in a string. The result is stored in the inbuilt variable <code>\$_string_result</code>.</p> <p>The action label is in the format <code>number1.number2</code>. <i>number1</i> can be any number up to 16 digits. The range for <i>number2</i> is from 0 to 9.</p>
<p><b>action label string match</b> [<b>nocase</b>] <i>string-pattern</i> <i>string</i></p> <pre>switch(config-applet)# action 5.2 string match "*Bl*" \$str</pre>	<p>Matches <i>string</i> with a specified pattern, <i>string-pattern</i>. If they match, the result 1 is stored in the inbuilt variable <code>\$_string_result</code>.</p> <p>The action label is in the format <code>number1.number2</code>. <i>number1</i> can be any number up to 16 digits. The range for <i>number2</i> is from 0 to 9.</p>

Command	Purpose
<p><b>action label string range</b> <i>string start-index end-index</i></p> <pre>switch(config-applet)# action 5.2 string range "\$data" 4 9</pre>	<p>Stores a range of characters in a string, starting from the <i>start-index</i> and ending at <i>end-index</i>. The resultant characters are stored in the inbuilt variable <i>\$_string_result</i>.</p> <p>The action label is in the format <i>number1.number2</i>. <i>number1</i> can be any number up to 16 digits. The range for <i>number2</i> is from 0 to 9.</p>
<p><b>action label string replace</b> <i>string start-index end-index [new-string]</i></p> <pre>switch(config-applet)# action 5.4 string replace \$str 1 4 "test"</pre>	<p>Forms a new string by replacing specific characters of a string. If <i>new-string</i> is not specified, it replaces the characters with whitespace. The newly formed string is stored in the inbuilt variable <i>\$_string_result</i>.</p> <p>The action label is in the format <i>number1.number2</i>. <i>number</i> can be any number up to 16 digits. The range for <i>number2</i> is from 0 to 9.</p>
<p><b>action label string tolower</b> <i>string [start-index] [end-index]</i></p> <pre>switch(config-applet)# action 5.5 string tolower "\$string" 11 16</pre>	<p>Stores a specific range of characters of a string in lowercase. The characters are stored in the inbuilt variable <i>\$_string_result</i>.</p> <p>The action label is in the format <i>number1.number2</i>. <i>number1</i> can be any number up to 16 digits. The range for <i>number2</i> is from 0 to 9.</p>
<p><b>action label string toupper</b> <i>string [start-index] [end-index]</i></p> <pre>switch(config-applet)# action 5.6 string toupper "\$string" 0 7</pre>	<p>Stores a specific range of characters of a string in uppercase. The characters are stored in the inbuilt variable <i>\$_string_result</i>.</p> <p>The action label is in the format <i>number1.number2</i>. <i>number</i> can be any number up to 16 digits. The range for <i>number2</i> is from 0 to 9.</p>
<p><b>action label string trim</b> <i>string1 [string2]</i></p> <pre>switch(config-applet)# action 5.7 string trim "\$string"</pre>	<p>Trims the characters in <i>string2</i> from both ends of <i>string1</i>. By default, <i>string2</i> corresponds to whitespace.</p> <p>The action label is in the format <i>number1.number2</i>. <i>number1</i> can be any number up to 16 digits. The range for <i>number2</i> is from 0 to 9.</p>
<p><b>action label string trimleft</b> <i>string1 [string2]</i></p> <pre>switch(config-applet)# action 5.7 string trimleft "\$string" "Hello"</pre>	<p>Trims the characters in <i>string2</i> from the left end of <i>string1</i>. By default, <i>string2</i> corresponds to whitespace.</p> <p>The action label is in the format <i>number1.number2</i>. <i>number1</i> can be any number up to 16 digits. The range for <i>number2</i> is from 0 to 9.</p>
<p><b>action label string trimright</b> <i>string1 [string2]</i></p> <pre>switch(config-applet)# action 5.7 string trimright "this is a testtest" "test"</pre>	<p>Trims the characters in <i>string2</i> from the right end of <i>string1</i>. By default, <i>string2</i> corresponds to whitespace.</p> <p>The action label is in the format <i>number1.number2</i>. <i>number1</i> can be any number up to 16 digits. The range for <i>number2</i> is from 0 to 9.</p>

Command	Purpose
<b>action label set variable-name variable-value</b>  switch(config-applet)# action 6.0 set \$string "Container"	Sets the value of a variable.  The action label is in the format number1.number2. <i>number1</i> can be any number up to 16 digits. The range for <i>number2</i> is from 0 to 9.



**Note** If you want to allow the triggered event to process any default actions, you must configure the EEM policy to allow the default action. For example, if you match a CLI command in a match statement, you must add the event-default action statement to the EEM policy or EEM will not allow the CLI command to execute. You can use the **terminal event-manager bypass** command to allow all EEM policies with CLI matches to execute the CLI command.

## Defining a Policy Using a VSH Script

You can define a policy using a VSH script.

### Before you begin

Ensure that you are logged in with administrator privileges.

Ensure that your script name is the same name as the script filename.

### Procedure

- 
- Step 1** In a text editor, list the commands that define the policy.
  - Step 2** Name the text file and save it.
  - Step 3** Copy the file to the following system directory: bootflash://eem/user\_script\_policies.
- 

## Registering and Activating a VSH Script Policy

You can register and activate a policy defined in a VSH script.

### Procedure

	Command or Action	Purpose
<b>Step 1</b>	<b>configure terminal</b>  <b>Example:</b> switch# configure terminal switch(config)#	Enters global configuration mode.

	Command or Action	Purpose
<b>Step 2</b>	<b>event manager policy</b> <i>policy-script</i> <b>Example:</b> switch(config)# event manager policy moduleScript	Registers and activates an EEM script policy. The <i>policy-script</i> can be any case-sensitive alphanumeric string up to 29 characters.
<b>Step 3</b>	<b>show event manager policy internal</b> <i>name</i> <b>Example:</b> switch(config)# show event manager policy internal moduleScript	(Optional) Displays information about the configured policy.
<b>Step 4</b>	<b>copy running-config startup-config</b> <b>Example:</b> switch(config)# copy running-config startup-config	(Optional) Copies the running configuration to the startup configuration.

## Scheduling an EEM Policy

You can schedule an EEM policy that is registered and set the policy scheduling options.

### Procedure

	Command or Action	Purpose
<b>Step 1</b>	<b>configure terminal</b> <b>Example:</b> switch# configure terminal switch(config)#	Enters the global configuration mode.
<b>Step 2</b>	<b>event manager scheduler applet thread class</b> <i>class-options number thread-number</i> <b>Example:</b> switch(config)# event manager scheduler applet thread class default number 2	Schedules an EEM policy and sets the policy scheduling options like class and thread number for execution.
<b>Step 3</b>	<b>event manager scheduler script thread class</b> <i>class-options range class-range number thread-number</i> <b>Example:</b> switch(config)# event manager scheduler script thread class A B range D-E number 1	Schedules an EEM policy and sets the script scheduling options.
<b>Step 4</b>	<b>event manager scheduler clear</b> {all   policy <i>job-id</i>   queue-type applet [class <i>class-options</i> ]} [processor {rp_primary   rp_standby}] <b>Example:</b>	Clears the EEM policies that are currently executing or pending execution.

	Command or Action	Purpose
	<pre>switch# event manager scheduler clear policy 2</pre>	
<b>Step 5</b>	<b>event manager scheduler hold</b> {all   policy <i>job-id</i>   <b>queue-type applet</b> [class <i>class-options</i> ]}  <b>Example:</b> <pre>switch# event manager scheduler hold policy 2</pre>	Holds a scheduled EEM policy event or event queue in the EEM scheduler.
<b>Step 6</b>	<b>event manager scheduler modify</b> {all   policy <i>job-id</i>   <b>queue-type applet</b> } {class <i>class-options</i> [queue-priority {high   last   low   normal}]   <b>queue-priority</b> {high   last   low   normal} [class <i>class-options</i> ]}  <b>Example:</b> <pre>switch# event manager scheduler modify all class A</pre>	Modifies the scheduling parameters of the EEM policy.
<b>Step 7</b>	<b>event manager scheduler release</b> {all   policy <i>policy-id</i>   <b>queue-type applet</b> [class <i>class-options</i> ]}  <b>Example:</b> <pre>switch# event manager scheduler release all</pre>	Releases the EEM policies held through the event manger scheduler hold command.

## Overriding a Policy

You can override a system policy.

### Procedure

	Command or Action	Purpose
<b>Step 1</b>	<b>configure terminal</b>  <b>Example:</b> <pre>switch# configure terminal switch(config)#</pre>	Enters global configuration mode.
<b>Step 2</b>	(Optional) <b>show event manager policy-state</b> <i>system-policy</i>  <b>Example:</b> <pre>switch(config-applet)# show event manager policy-state __ethpm_link_flap Policy __ethpm_link_flap Cfg count : 5 Cfg time interval : 10.000000 (seconds) Hash default, Count 0</pre>	Displays information about the system policy that you want to override, including thresholds. Use the <b>show event manager system-policy</b> command to find the system policy names. For information about system policies, see <a href="#">Embedded Event Manager System Events and Configuration Examples, on page 465</a> .

	Command or Action	Purpose
<b>Step 3</b>	<b>event manager applet</b> <i>applet-name</i> <b>override</b> <i>system-policy</i> <b>Example:</b> <pre>switch(config)# event manager applet ethport override __ethpm_link_flap switch(config-applet)#</pre>	Overrides a system policy and enters applet configuration mode. The <i>applet-name</i> can be any case-sensitive alphanumeric string up to 29 characters. The <i>system-policy</i> must be one of the existing system policies.
<b>Step 4</b>	(Optional) <b>description</b> <i>policy-description</i> <b>Example:</b> <pre>description "Overrides link flap policy."</pre>	Configures a descriptive string for the policy. The string can be any alphanumeric string up to 80 characters. Enclose the string in quotation marks.
<b>Step 5</b>	Required: <b>event</b> <i>event-statement</i> <b>Example:</b> <pre>switch(config-applet)# event policy-default count 2 time 1000</pre>	Configures the event statement for the policy.
<b>Step 6</b>	Required: <b>action</b> <i>number</i> <i>action-statement</i> <b>Example:</b> <pre>switch(config-applet)# action 1.0 syslog priority warnings msg "Link is flapping."</pre>	Configures an action statement for the policy. Repeat this step for multiple action statements.
<b>Step 7</b>	(Optional) <b>show event manager policy-state</b> <i>name</i> <b>Example:</b> <pre>switch(config-applet)# show event manager policy-state ethport</pre>	Displays information about the configured policy.
<b>Step 8</b>	(Optional) <b>copy running-config startup-config</b> <b>Example:</b> <pre>switch(config)# copy running-config startup-config</pre>	Copies the running configuration to the startup configuration.

## Configuring Memory Thresholds

You can set the memory thresholds used to trigger events and set whether the operating system should kill processes if it cannot allocate memory.

### Before you begin

Ensure that you are logged in with administrator privileges.

## Procedure

	Command or Action	Purpose
<b>Step 1</b>	<b>configure terminal</b> <b>Example:</b> <pre>switch# configure terminal switch(config)#</pre>	Enters global configuration mode.
<b>Step 2</b>	<b>system memory-thresholds minor <i>minor</i> severe <i>severe</i> critical <i>critical</i></b> <b>Example:</b> <pre>switch(config)# system memory-thresholds minor 60 severe 70 critical 80</pre>	<p>Configures the system memory thresholds that generate EEM memory events. The default values are as follows:</p> <ul style="list-style-type: none"> <li>• Minor-85</li> <li>• Severe-90</li> <li>• Critical-95</li> </ul> <p>When these memory thresholds are exceeded, the system generates the following syslogs:</p> <ul style="list-style-type: none"> <li>• 2013 May 7 17:06:30 switch %\$ %PLATFORM-2-MEMORY_ALERT: Memory Status Alert : MINOR</li> <li>• 2013 May 7 17:06:30 switch %\$ %PLATFORM-2-MEMORY_ALERT: Memory Status Alert : SEVERE</li> <li>• 2013 May 7 17:06:30 switch %\$ %PLATFORM-2-MEMORY_ALERT: Memory Status Alert : CRITICAL</li> <li>• 2013 May 7 17:06:35 switch %\$ %PLATFORM-2-MEMORY_ALERT: Memory Status Alert : MINOR ALERT RECOVERED</li> <li>• 2013 May 7 17:06:35 switch %\$ %PLATFORM-2-MEMORY_ALERT: Memory Status Alert : SEVERE ALERT RECOVERED</li> <li>• 2013 May 7 17:06:35 switch %\$ %PLATFORM-2-MEMORY_ALERT: Memory Status Alert : CRITICAL ALERT RECOVERED</li> </ul>
<b>Step 3</b>	<b>(Optional) system memory-thresholds threshold critical no-process-kill</b> <b>Example:</b> <pre>switch(config)# system memory-thresholds threshold critical no-process-kill</pre>	Configures the system to not kill processes when the memory cannot be allocated. The default value is to allow the system to kill processes, starting with the one that consumes the most memory.
<b>Step 4</b>	<b>(Optional) show running-config   include "system memory"</b> <b>Example:</b>	Displays information about the system memory configuration.



	Command or Action	Purpose
	switch(config-applet)# show running-config   include "system memory"	
<b>Step 5</b>	(Optional) <b>copy running-config startup-config</b>  <b>Example:</b> switch(config)# copy running-config startup-config	Copies the running configuration to the startup configuration.

## Configuring Syslog as EEM Publisher

You can monitor syslog messages from the switch.



**Note** The maximum number of searchable strings to monitor syslog messages is 10.

### Before you begin

EEM should be available for registration by syslog.

The syslog daemon must be configured and executed.

### Procedure

	Command or Action	Purpose
<b>Step 1</b>	<b>configure terminal</b>  <b>Example:</b> switch# configure terminal switch(config)#	Enters global configuration mode.
<b>Step 2</b>	<b>event manager applet <i>applet-name</i></b>  <b>Example:</b> switch(config)# event manager applet abc switch(config-applet)#	Registers an applet with EEM and enters applet configuration mode.
<b>Step 3</b>	<b>event syslog [tag <i>tag</i>] {occurs <i>number</i>   period <i>seconds</i>   pattern <i>msg-text</i>   priority <i>priority</i>}</b>  <b>Example:</b> switch(config-applet)# event syslog occurs 10	Monitors syslog messages and invokes the policy based on the search string in the policy. <ul style="list-style-type: none"> <li>• The <b>tag <i>tag</i></b> keyword-argument pair identifies this specific event when multiple events are included in the policy.</li> <li>• The <b>occurs <i>number</i></b> keyword-argument pair specifies the number of occurrences. The range is from 1 to 65000.</li> <li>• The <b>period <i>seconds</i></b> keyword-argument pair specifies the interval during which the</li> </ul>

	Command or Action	Purpose
		<p>event occurs. The range is from 1 to 4294967295.</p> <ul style="list-style-type: none"> <li>The <b>pattern</b> <i>msg-text</i> keyword-argument pair specifies the matching regular expression. The pattern can contain character text, an environment variable, or a combination of the two. If the string contains embedded blanks, it is enclosed in quotation marks.</li> <li>The <b>priority</b> <i>priority</i> keyword-argument pair specifies the priority of the syslog messages. If this keyword is not selected, all syslog messages are set at the informational priority level.</li> </ul>
<b>Step 4</b>	<p>(Optional) <b>copy running-config startup-config</b></p> <p><b>Example:</b></p> <pre>switch(config)# copy running-config startup-config</pre>	Copies the running configuration to the startup configuration.

## Verifying the EEM Configuration

To display EEM configuration information, use one of the following commands:

Command	Purpose
<b>show event manager environment</b> [ <i>variable-name</i>   <b>all</b> ]	Displays information about the event manager environment variables.
<b>show event manager event-types</b> [ <i>event</i>   <b>all</b>   <b>module</b> <i>slot</i> ]	Displays information about the event manager event types.
<b>show event manager history events</b> [ <b>detail</b> ] [ <b>maximum</b> <i>num-events</i> ] [ <b>severity</b> { <b>catastrophic</b>   <b>minor</b>   <b>moderate</b>   <b>severe</b> }]	Displays the history of events for all policies.
<b>show event manager policy internal</b> [ <i>policy-name</i> ] [ <b>inactive</b> ]	Displays information about the configured policies.
<b>show event manager policy-state</b> <i>policy-name</i>	Displays information about the policy state, including thresholds.
<b>show event manager script system</b> [ <i>policy-name</i>   <b>all</b> ]	Displays information about the script policies.
<b>show event manager system-policy</b> [ <b>all</b> ]	Displays information about the predefined system policies.

Command	Purpose
<code>show running-config eem</code>	Displays information about the running configuration for EEM.
<code>show startup-config eem</code>	Displays information about the startup configuration for EEM.
<code>show event manager policy active [class <i>class-options</i>   [detailed] [queue-type [applet] ]</code>	Displays the EEM policies that are executing.
<code>show event manager policy pending [class <i>class-options</i>   [detailed] [queue-type applet [detailed] ]</code>	Displays the policies that are pending for execution.
<code>show event manager scheduler thread detailed</code>	Displays the scheduled activities of the EEM policies.

## Configuration Examples for EEM

This example shows how to override the `__lcm_module_failure` system policy by changing the threshold for just module 3 hitless upgrade failures. This example also sends a syslog message. The settings in the system policy, `__lcm_module_failure`, apply in all other cases.

```
event manager applet example2 override __lcm_module_failure
event module-failure type hitless-upgrade-failure module 3 count 2
action 1 syslog priority errors msg module 3 "upgrade is not a hitless upgrade!"
action 2 policy-default
```

This example shows how to override the `__ethpm_link_flap` system policy and shuts down the interface:

```
event manager applet ethport override __ethpm_link_flap
event policy-default count 2 time 1000
action 1 cli conf t
action 2 cli int et1/1
action 3 cli no shut
```

This example creates an EEM policy that allows the CLI command to execute but triggers an SNMP notification when a user enters configuration mode on the device:

```
event manager applet TEST
event cli match "conf t"
action 1.0 snmp-trap strdata "Configuration change"
action 2.0 event-default
```



**Note** You must add the `event-default` action statement to the EEM policy or EEM will not allow the CLI command to execute.

This example shows how to correlate multiple events in an EEM policy and execute the policy based on a combination of the event triggers. In this example, the EEM policy is triggered if one of the specified syslog patterns occurs within 120 seconds.

```

event manager applet eem-correlate
event syslog tag one pattern "copy bootflash:.* running-config.*"
event syslog tag two pattern "copy run start"
event syslog tag three pattern "hello"
tag one or two or three happens 1 in 120
action 1.0 reload module 1

```



**Note** For additional EEM configuration examples, see [Embedded Event Manager System Events and Configuration Examples, on page 465](#).

This example shows how to monitor an interface shutdown with an EEM applet.

```

Devicek# sh run eem

!Command: show running-config eem
!Time: Thu Aug 24 00:21:17 2017

version 8.2(0)SK(1)
event manager applet E1
  event cli match "conf t ; interface * ; shutdown"
  action 1 syslog priority critical msg ""tracked interface shutdown" "

```

## Related Documents

Related Topic	Document Title
EEM commands	<i>Cisco Nexus 7000 Series NX-OS System Management Command Reference</i>
VDCs	<i>Cisco Nexus 7000 Series NX-OS Virtual Device Context Configuration Guide</i>

## Feature History for EEM

The table below summarizes the new and changed features for this document and shows the releases in which each feature is supported. Your software release might not support all the features in this document. For the latest caveats and feature information, see the Bug Search Tool at <https://tools.cisco.com/bugsearch/> and the release notes for your software release.

**Table 30: Feature History for EEM**

Feature Name	Releases	Feature Information
EEM event correlation	5.2(1)	Added support for multiple event triggers in a single EEM policy.
Syslog as EEM publisher	5.1(1)	Added support to monitor syslog messages from the switch.

Memory thresholds configuration	4.1(3)	Added a configuration section for memory thresholds.
---------------------------------	--------	--





## CHAPTER 16

# Configuring Onboard Failure Logging

This chapter describes how to configure the onboard failure logging (OBFL) features on Cisco NX-OS devices.

This chapter includes the following sections:

- [Finding Feature Information, on page 265](#)
- [About OBFL, on page 265](#)
- [Virtualization Support, on page 266](#)
- [Licensing Requirements for OBFL, on page 266](#)
- [Prerequisites for OBFL, on page 266](#)
- [Guidelines and Limitations for OBFL, on page 267](#)
- [Default Settings for OBFL, on page 267](#)
- [Configuring OBFL, on page 267](#)
- [Verifying the OBFL Configuration, on page 269](#)
- [Configuration Example for OBFL, on page 271](#)
- [Additional References, on page 271](#)
- [Feature History for OBFL, on page 271](#)

## Finding Feature Information

Your software release might not support all the features documented in this module. For the latest caveats and feature information, see the Bug Search Tool at <https://tools.cisco.com/bugsearch/> and the release notes for your software release. To find information about the features documented in this module, and to see a list of the releases in which each feature is supported, see the "New and Changed Information" chapter or the Feature History table in this chapter.

## About OBFL

Cisco NX-OS provides the ability to log failure data to persistent storage, which you can retrieve and display for analysis at a later time. This onboard failure logging (OBFL) feature stores failure and environmental information in nonvolatile memory on the module. The information will help analyze failed modules.

OBFL stores the following types of data:

- Time of initial power-on
- Slot number of the module in the chassis

- Initial temperature of the module
- Firmware, BIOS, FPGA, and ASIC versions
- Serial number of the module
- Stack trace for crashes
- CPU hog information
- Memory leak information
- Software error messages
- Hardware exception logs
- Environmental history
- OBFL-specific history information
- ASIC interrupt and error statistics history
- ASIC register dumps

## Virtualization Support

You must be in the default virtual device context (VDC) to configure and display OBFL information. See the *Cisco Nexus 7000 Series NX-OS Virtual Device Context Configuration Guide* for more information on VDCs.

## Licensing Requirements for OBFL

Product	License Requirement
Cisco NX-OS	OBFL requires no license. Any feature not included in a license package is bundled with the nx-os image and is provided at no extra charge to you. For a complete explanation of the Cisco NX-OS licensing scheme, see the <i>Cisco NX-OS Licensing Guide</i> .

## Prerequisites for OBFL

If you configure VDCs, install the appropriate license and enter the desired VDC. See the *Cisco Nexus 7000 Series NX-OS Virtual Device Context Configuration Guide* for configuration information and the *Cisco NX-OS Licensing Guide* for licensing information.

You must have network-admin user privileges and be logged into the default VDC.



## Guidelines and Limitations for OBFL

OBFL has the following guidelines and limitations:

- OBFL is enabled by default.
- OBFL flash supports a limited number of writes and erases. The more logging you enable, the faster you use up this number of writes and erases.



**Note** Be aware that the Cisco NX-OS commands for this feature may differ from those commands used in Cisco IOS.

## Default Settings for OBFL

The following table lists the default settings for OBFL parameters.

Parameters	Default
OBFL	All features enabled

## Configuring OBFL

You can configure the OBFL features on Cisco NX-OS devices.

### Before you begin

Make sure that you are in global configuration mode.

### Procedure

	Command or Action	Purpose
<b>Step 1</b>	<b>configure terminal</b> <b>Example:</b> <pre>switch# configure terminal switch(config)#</pre>	Enters global configuration mode.
<b>Step 2</b>	<b>hw-module logging onboard</b> <b>Example:</b> <pre>switch(config)# hw-module logging onboard Module: 7 Enabling ... was successful. Module: 10 Enabling ... was successful. Module: 12 Enabling ... was successful.</pre>	Enables all OBFL features.

	Command or Action	Purpose
<b>Step 3</b>	<b>hw-module logging onboard counter-stats</b> <b>Example:</b> <pre>switch(config)# hw-module logging onboard counter-stats Module: 7 Enabling counter-stats ... was successful. Module: 10 Enabling counter-stats ... was successful. Module: 12 Enabling counter-stats ... was successful.</pre>	Enables the OBFL counter statistics.
<b>Step 4</b>	<b>hw-module logging onboard cpuhog</b> <b>Example:</b> <pre>switch(config)# hw-module logging onboard cpuhog Module: 7 Enabling cpu-hog ... was successful. Module: 10 Enabling cpu-hog ... was successful. Module: 12 Enabling cpu-hog ... was successful.</pre>	Enables the OBFL CPU hog events.
<b>Step 5</b>	<b>hw-module logging onboard environmental-history</b> <b>Example:</b> <pre>switch(config)# hw-module logging onboard environmental-history Module: 7 Enabling environmental-history ... was successful. Module: 10 Enabling environmental-history ... was successful. Module: 12 Enabling environmental-history ... was successful.</pre>	Enables the OBFL environmental history.
<b>Step 6</b>	<b>hw-module logging onboard error-stats</b> <b>Example:</b> <pre>switch(config)# hw-module logging onboard error-stats Module: 7 Enabling error-stats ... was successful. Module: 10 Enabling error-stats ... was successful. Module: 12 Enabling error-stats ... was successful.</pre>	Enables the OBFL error statistics.
<b>Step 7</b>	<b>hw-module logging onboard interrupt-stats</b> <b>Example:</b> <pre>switch(config)# hw-module logging onboard interrupt-stats Module: 7 Enabling interrupt-stats ... was successful. Module: 10 Enabling interrupt-stats ...</pre>	Enables the OBFL interrupt statistics.

	Command or Action	Purpose
	<pre>was successful. Module: 12 Enabling interrupt-stats ... was successful.</pre>	
<b>Step 8</b>	<p><b>hw-module logging onboard module <i>slot</i></b></p> <p><b>Example:</b></p> <pre>switch(config)# hw-module logging onboard module 7 Module: 7 Enabling ... was successful.</pre>	Enables the OBFL information for a module.
<b>Step 9</b>	<p><b>hw-module logging onboard obfl-logs</b></p> <p><b>Example:</b></p> <pre>switch(config)# hw-module logging onboard obfl-logs Module: 7 Enabling obfl-log ... was successful. Module: 10 Enabling obfl-log ... was successful. Module: 12 Enabling obfl-log ... was successful.</pre>	Enables the boot uptime, device version, and OBFL history.
<b>Step 10</b>	<p>(Optional) <b>show logging onboard</b></p> <p><b>Example:</b></p> <pre>switch(config)# show logging onboard</pre>	Displays information about OBFL.
<b>Step 11</b>	<p>(Optional) <b>copy running-config startup-config</b></p> <p><b>Example:</b></p> <pre>switch(config)# copy running-config startup-config</pre>	Copies the running configuration to the startup configuration.

## Verifying the OBFL Configuration

To display OBFL information stored in flash on a module, perform one of the following tasks:

Command	Purpose
<b>show logging onboard boot-uptime</b>	Displays the boot and uptime information.
<b>show logging onboard counter-stats</b>	Displays statistics on all ASIC counters.
<b>show logging onboard credit-loss</b>	Displays OBFL credit loss logs.
<b>show logging onboard device-version</b>	Displays device version information.
<b>show logging onboard endtime</b>	Displays OBFL logs to a specified end time.
<b>show logging onboard environmental-history</b>	Displays environmental history.
<b>show logging onboard error-stats</b>	Displays error statistics.
<b>show logging onboard exception-log</b>	Displays exception log information.

Command	Purpose
<b>show logging onboard interrupt-stats</b>	Displays interrupt statistics.
<b>show logging onboard module <i>slot</i></b>	Displays OBFL information for a specific module.
<b>show logging onboard obfl-history</b>	Displays history information.
<b>show logging onboard obfl-logs</b>	Displays log information.
<b>show logging onboard stack-trace</b>	Displays kernel stack trace information.
<b>show logging onboard starttime</b>	Displays OBFL logs from a specified start time.
<b>show logging onboard status</b>	Displays OBFL status information.

Use the **show logging onboard status** command to display the configuration status of OBFL.

```
switch# show logging onboard status
-----
OBFL Status
-----
Switch OBFL Log: Enabled

Module: 4 OBFL Log: Enabled
cpu-hog Enabled
credit-loss Enabled
environmental-history Enabled
error-stats Enabled
exception-log Enabled
interrupt-stats Enabled
mem-leak Enabled
miscellaneous-error Enabled
obfl-log (boot-uptime/device-version/obfl-history) Enabled
register-log Enabled
request-timeout Enabled
stack-trace Enabled
system-health Enabled
timeout-drops Enabled
stack-trace Enabled

Module: 22 OBFL Log: Enabled
cpu-hog Enabled
credit-loss Enabled
environmental-history Enabled
error-stats Enabled
exception-log Enabled
interrupt-stats Enabled
mem-leak Enabled
miscellaneous-error Enabled
obfl-log (boot-uptime/device-version/obfl-history) Enabled
register-log Enabled
request-timeout Enabled
stack-trace Enabled
system-health Enabled
timeout-drops Enabled
stack-trace Enabled
```

Use the **clear logging onboard** command to clear the OBFL information for each of the **show** command options listed.

# Configuration Example for OBFL

This example shows how to enable OBFL on module 2 for environmental information:

```
switch# configure terminal
switch(config)# hw-module logging onboard module 2 environmental-history
```

## Additional References

### Related Documents

Related Topic	Document Title
OBFL CLI commands	<i>Cisco Nexus 7000 Series NX-OS System Management Command Reference</i>
Configuration files	<i>Cisco Nexus 7000 Series NX-OS Fundamentals Configuration Guide</i>
VDCs	<i>Cisco Nexus 7000 Series NX-OS Virtual Device Context Configuration Guide</i>

## Feature History for OBFL

The table below summarizes the new and changed features for this document and shows the releases in which each feature is supported. Your software release might not support all the features in this document. For the latest caveats and feature information, see the Bug Search Tool at <https://tools.cisco.com/bugsearch/> and the release notes for your software release.

**Table 31: Feature History for OBFL**

Feature Name	Releases	Feature Information
OBFL	4.0(1)	This feature was introduced.





# CHAPTER 17

## Configuring SPAN

---

This chapter describes how to configure an Ethernet switched port analyzer (SPAN) to analyze traffic between ports on Cisco NX-OS devices.

- [Finding Feature Information, on page 273](#)
- [About SPAN, on page 273](#)
- [Licensing Requirements for SPAN, on page 279](#)
- [Prerequisites for SPAN, on page 279](#)
- [Guidelines and Limitations for SPAN, on page 279](#)
- [Default Settings for SPAN, on page 286](#)
- [Configuring SPAN, on page 287](#)
- [Verifying the SPAN Configuration, on page 315](#)
- [Configuration Examples for SPAN, on page 315](#)
- [Related Documents, on page 320](#)
- [Feature History for SPAN, on page 320](#)

### Finding Feature Information

Your software release might not support all the features documented in this module. For the latest caveats and feature information, see the Bug Search Tool at <https://tools.cisco.com/bugsearch/> and the release notes for your software release. To find information about the features documented in this module, and to see a list of the releases in which each feature is supported, see the "New and Changed Information" chapter or the Feature History table in this chapter.

### About SPAN

SPAN analyzes all traffic between source ports by directing the SPAN session traffic to a destination port with an external analyzer attached to it.

You can define the sources and destinations to monitor in a SPAN session on the local device.

### SPAN Sources

The interfaces from which traffic can be monitored are called SPAN sources. Sources designate the traffic to monitor and whether to copy ingress, egress, or both directions of traffic. SPAN sources include the following:

- Ethernet ports
- Port channels
- The inband interface to the control plane CPU
- VLANs (ingress only)—When a VLAN is specified as a SPAN source, all supported interfaces in the VLAN are SPAN sources.
- Remote SPAN (RSPAN) VLANs
- Fabric port channels connected to the Cisco Nexus 2000 Series Fabric Extender (FEX)
- Satellite ports and host interface port channels on the Cisco Nexus 2000 Series Fabric Extender— These interfaces are supported in Layer 2 access mode, Layer 2 trunk mode, and Layer 3 mode.




---

**Note** Layer 3 subinterfaces are not supported.

---




---

**Note** A single SPAN session can include mixed sources in any combination of the above.

---

## Characteristics of Source Ports

SPAN source ports have the following characteristics:

- A port configured as a source port cannot also be configured as a destination port.
- An RSPAN VLAN cannot be used as a SPAN source.
- If you use the supervisor inband interface as a SPAN source, the following packets are monitored:
  - All packets that arrive on the supervisor hardware (ingress)
  - All packets generated by the supervisor hardware (egress)

## SPAN Destinations

SPAN destinations refer to the interfaces that monitor source ports. Destination ports receive the copied traffic from SPAN sources.

## Characteristics of Destination Ports

SPAN destination ports have the following characteristics:

- Destinations for a SPAN session include Ethernet ports or port-channel interfaces in either access or trunk mode.
- A port configured as a destination port cannot also be configured as a source port.
- A destination port can be configured in only one SPAN session at a time.
- Destination ports do not participate in any spanning tree instance. SPAN output includes bridge protocol data unit (BPDU) Spanning-Tree Protocol hello packets.



- All SPAN destinations configured for a given session receive all spanned traffic.
- An RSPAN VLAN cannot be used as a SPAN destination.
- You can configure SPAN destinations to inject packets to disrupt a certain TCP packet stream in support of the Intrusion Detection System (IDS).
- You can configure SPAN destinations to enable a forwarding engine to learn the MAC address of the IDS.
- F Series module FabricPath core ports, Fabric Extender host interface (HIF) ports, HIF port channels, and fabric port-channel ports are not supported as SPAN destination ports.
- Shared interfaces cannot be used as SPAN destinations.
- VLAN ACL redirects to SPAN destination ports are not supported
- All SPAN destinations configured for a given session receive all spanned traffic.

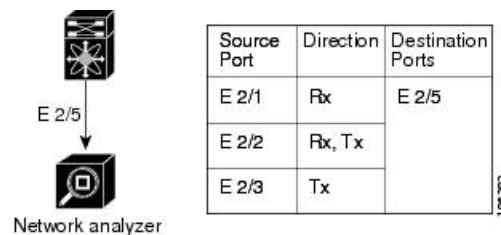
## SPAN Sessions

You can create SPAN sessions to designate sources and destinations to monitor.

See the *Cisco Nexus 7000 Series NX-OS Verified Scalability Guide* for information on the number of supported SPAN sessions.

This figure shows a SPAN configuration. Packets on three Ethernet ports are copied to destination port Ethernet 2/5. Only traffic in the direction specified is copied.

**Figure 4: SPAN Configuration**



## Extended SPAN Sessions

Cisco NX-OS Release 6.2(2) and later releases support extended SPAN sessions in addition to the two traditional SPAN sessions supported in prior releases. Extended SPAN sessions can be traditional or unidirectional. The session direction is specified during session creation. A pool of 12 independent session resources are available. Unidirectional sessions use one resource, and traditional sessions use two resources. These 12 resources are shared between local and SPAN source sessions across all VDCs.

If you are configuring an extended SPAN session on a Cisco Nexus 7710 switch or a Cisco Nexus 7718 switch, the following applies:

- The **mode extended** command must be used with the third configuration session.
- You can configure 16 sessions as unidirectional or bidirectional, as required.
- You do not need to maintain two traditional sessions.

- You do not need to use the resource manager to reserve the two traditional sessions.

## 4K VLANs per SPAN Session

Cisco NX-OS Release 7.3(0)D1(1) and later releases support 4K VLANs per SPAN session. You can use the **source interface all** command to enable the monitor session on the switch to monitor all VLANs and ports in the VDC such as physical ports, Port Channels, FEX ports and FEX Port Channels. The 4K VLANs per SPAN Session feature also enables monitoring of a higher number of specific VLAN sources than the VLAN source limits currently supported in the monitor session by using the **filter vlan** command with the **source interface all** command to filter the irrelevant VLANs.

The 4K VLANs per SPAN Session feature has the following characteristics:

- This is not supported on M3 series modules.
- You will not be able to capture any traffic on the M3 Series modules in spite of configuring the **source interface all** command.
- You can use the **source interface all** command for multiple sessions in the same VDC.
- Supports all session parameters such as MTU truncation, Sampling and Rate Limiting.
- Simple and Complex Rule-based SPAN is supported with the **source interface all** command. This enables traffic flow-based monitoring using a set of filter rules across the VDC.
- Traffic generated by Supervisors is not spanned.
- Supported only in Ethernet VDCs of Cisco Nexus 7000 Series switches.
- Supported only in extended SPAN sessions.

## Rule-Based SPAN

Rule-based SPAN filters the ingress or egress SPAN traffic based on a set of rules. For Cisco NX-OS releases prior to 6.2(2), you can filter on VLANs, the destination index, and the source index. Beginning with Cisco NX-OS Release 6.2(2), you can filter the SPAN traffic based on a combination of fields in the Layer 2, Layer 3, or Layer 4 header packet.

Every SPAN session (traditional and extended) has an associated filter. Every SPAN session has one filter resource. A simple filter has only one rule, and you can add multiple fields or conditions to this rule. The packets are replicated only if all the conditions are met.

*Table 32: Supported Filter Fields*

Ethernet	IPv4	IPv6	ARP/RARP	FCoE
----------	------	------	----------	------

Frame Type	Frame Type	Frame Type	Frame Type	Frame Type
VLAN	VLAN	VLAN	VLAN	VLAN
TR	TR	TR	TR	TR
BPDU	BPDU	BPDU	BPDU	BPDU
Port Channel Lane	Port Channel Lane	Port Channel Lane	Port Channel Lane	Port Channel Lane
Flow Hash	Flow Hash	Flow Hash	Flow Hash	Flow Hash
L2 MAC DA	L2 MAC DA	L2 MAC DA	L2 MAC DA	L2 MAC DA
L2 MAC SA	L2 MAC SA	L2 MAC SA	L2 MAC SA	L2 MAC SA
EtherType	EtherType	EtherType	EtherType	EtherType
CoS/VL	CoS/VL	CoS/VL	CoS/VL	CoS/VL
	ToS	ToS	CoS/VL	FCD_ID
	L4 Protocol	L4 Protocol	ARP	FCS_ID
	IPv4 SA	IPv6 SA	Request	SOF
	IPv4 DA	IPv6 DA	Sender IP	R_CTL
			Target IP	TYPE
				Cmd_Code

## Exception SPAN

Exception SPAN enables you to span exception packets. Packets that have failed an intrusion detection system (IDS), Layer 3 IP verification, and FabricPath are treated as exception packets.



**Note** Beginning with Cisco NX-OS Release 6.2(10), you can remove the FabricPath and VLAN tag headers from SPAN packets. Use the **system default switchport monitor exclude header** and the **switchport monitor exclude header** commands. See the *Cisco Nexus 7000 Series NX-OS Security Command Reference* for more information on these commands.

An exception SPAN session is supported in either one of the two traditional bidirectional SPAN sessions or in one of the extended SPAN sessions. Rate limiters, MTU truncation, and sampling are supported in the exception SPAN session. Only the exception packets sent to the drop destination interface are supported as a SPAN source. Exception packets that are pushed to the supervisor, ACLQoS, or Layer 2 are not spanned. Each VDC supports one exception SPAN session.

Extended SPAN is supported in the egress direction only. In the case of an extended SPAN Rx session, the exception source configuration will be rejected.

## Virtual SPAN Sessions

You can create a virtual SPAN session to monitor multiple VLAN sources and choose only VLANs of

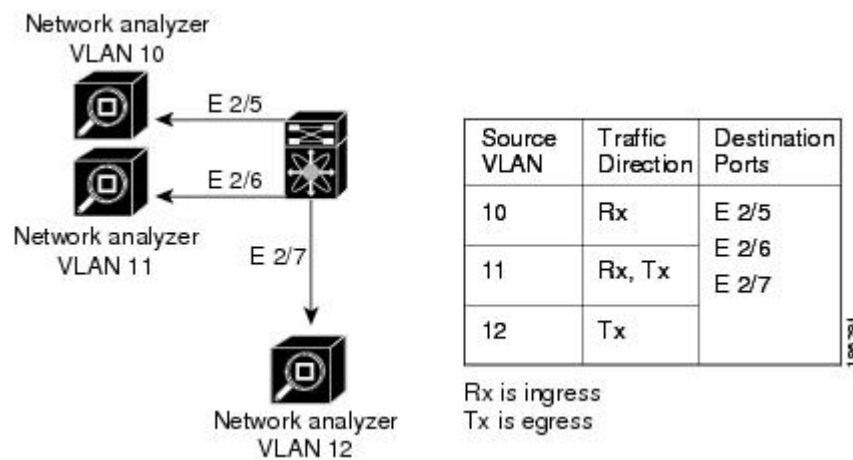
interest to transmit on multiple destination ports. For example, you can configure SPAN on a trunk port and monitor traffic from different VLANs on different destination ports.

The figure below shows a virtual SPAN configuration. The virtual SPAN session copies traffic from the three VLANs to the three specified destination ports. You can choose which VLANs to allow on each destination port to limit the traffic that the device transmits on it. In the figure below, the device transmits packets from one VLAN at each destination port.



**Note** Virtual SPAN sessions cause all source packets to be copied to all destinations, whether the packets are required at the destination or not. VLAN traffic filtering occurs at the egress destination port level.

**Figure 5: Virtual SPAN Configuration**



For information about configuring a virtual SPAN session see the *Configuring a Virtual SPAN Session* section.

## Network Analysis Module

You can also use the Cisco Network Analysis Module (NAM) to monitor SPAN data sources for application performance, traffic analysis, and packet header analysis.

To use NAM for monitoring the Cisco Nexus 7000 SPAN data sources, see the *Cisco Nexus 7000 Series Network analysis Module (NAM-NX1) Quick Start Guide*.

## High Availability

The SPAN feature supports stateless and stateful restarts. After a reboot or supervisor switchover, the running configuration is applied. For more information on high availability, see the *Cisco Nexus 7000 Series NX-OS High Availability and Redundancy Guide*.

## Virtualization Support

A virtual device context (VDC) is a logical representation of a set of system resources. SPAN applies only to the VDC where the commands are entered.

For information about configuring VDCs, see the *Cisco Nexus 7000 Series NX-OS Virtual Device Context Configuration Guide*.

## Licensing Requirements for SPAN

Product	License Requirement
Cisco NX-OS	SPAN requires no license. Any feature not included in a license package is bundled with the nx-os image and is provided at no extra charge to you. For a complete explanation of the Cisco NX-OS licensing scheme, see the <i>Cisco NX-OS Licensing Guide</i> .

## Prerequisites for SPAN

SPAN has the following prerequisites:

- You must first configure the ports on each device to support the desired SPAN configuration. For more information, see the *Cisco Nexus 7000 Series NX-OS Interfaces Configuration Guide*.

## Guidelines and Limitations for SPAN

### General SPAN Guidelines and Limitations

- For SPAN session limits, see the *Cisco Nexus 7000 Series NX-OS Verified Scalability Guide*.
- SPAN is not supported for management ports.
- All SPAN replication is performed in the hardware. The supervisor CPU is not involved.
- Link Aggregation Control Protocol (LACP) Port Channel is not supported as a SPAN destination.




---

**Note** Monitor session allows LACP PO to be added as SPAN destination even though the same is not supported. This does not impact any functionality.

---

- A destination port can only be configured in one SPAN session at a time.
- You cannot configure a port as both a source and destination port.
- If a module is not in the VDC in which the inband interface is sourced, packets destined to the supervisor cannot be captured.
- For Cisco NX-OS releases prior to 6.1, you can monitor the inband interface only from the default VDC. Inband traffic from all VDCs is monitored. Beginning with Cisco NX-OS Release 6.1, the monitoring of the inband interface is no longer restricted to the default VDC:

- Only users with the network admin privilege can add the inband interface as a SPAN source.
- The inband interface can be added as a source from any VDC except the admin VDC, but at any time, only one VDC can have the inband interface as a source.
- Inband SPAN is treated as a shared resource. If a particular VDC does not have the resource allocated to it, inband port sourcing is rejected. Similarly, if a VDC that has the inband supervisor resource allocated to it removes the inband port from the source list of all monitor sessions, the inband resource is released from that VDC.
- For the supervisor inband interface, SPAN is supported only in the VDC in which the inband interface is sourced. If a module is part of a VDC in which the inband interface is not sourced, at least one interface of the module must be in the VDC in which the inband interface is sourced in order to capture supervisor inband packets from this module.
- A single SPAN session can include mixed sources in any combination of the following:
  - Ethernet ports, but not subinterfaces
  - VLANs, that can be assigned to port channel subinterfaces
  - The inband interface to the control plane CPU
- When a SPAN session contains both source interfaces and source VLAN clauses, there is a possibility that other VLANs also will be spanned.
- Destination ports do not participate in any spanning tree instance. SPAN output includes bridge protocol data unit (BPDU) Spanning-Tree Protocol hello packets.
- When a SPAN session contains source ports or VLAN sources that are monitored in the transmit or transmit and receive direction, packets that these ports receive might be replicated to the SPAN destination port even though the packets are not actually transmitted on the source ports. Some examples of this behavior on source ports are as follows:
  - Traffic that results from flooding
  - Broadcast and multicast traffic
- You can enable SPAN for a source port before it becomes operationally active. Thus for Layer 2 ports, traffic flooded to the VLANs that contain these ports are captured even when the link is not connected for the ports.
- For VLAN SPAN sessions with both ingress and egress configured, two packets (one from ingress and one from egress) are forwarded from the destination port if the packets get switched on the same VLAN.
- Beginning with Cisco NX-OS Release 6.2(2), the spanning of inband interfaces is as follows:
  - For Supervisor 1 systems, the two bidirectional traditional sessions can support an inband SPAN source.
  - For Supervisor 2 and Supervisor 2e systems, all the SPAN sessions can support an inband SPAN source.
  - Only one VDC can support inband SPAN at a time.
- You can configure an RSPAN VLAN for use only as a SPAN session source.

- You can configure a SPAN session on the local device only.
- If you span a fabricpath core interface when inter-VLAN routing is enabled across Layer 2 multi-path (L2MP), it is not possible to capture the traffic egressing out of the core interface.
- SPAN is supported on Fabric Extender interfaces in Layer 2 access mode, Layer 2 trunk mode, and Layer 3 mode. Layer 3 subinterfaces are not supported.
- Cisco NX-OS does not span Link Layer Discovery Protocol (LLDP) or Link Aggregation Control Protocol (LACP) packets when the source interface is a Fabric Extender HIF (downlink) port or HIF port channel.
- SPAN sessions cannot capture packets with broadcast or multicast MAC addresses that reach the supervisor, such as ARP requests and Open Shortest Path First (OSPF) protocol hello packets, if the source of the session is the supervisor Ethernet in-band interface. To capture these packets, you must use the physical interface as the source in the SPAN sessions.
- The rate limit percentage of a SPAN session is based on 10G, 40G, and 100G for the respective modules (that is, 1 percent corresponds to 0.1G, 0.4G, or 1G respectively), and the value is applied per every forwarding engine instance.
- Beginning with Cisco NX-OS Release 6.1, SPAN is supported for Supervisor 2.
- SPAN does not capture pause frames in a Fibre Channel over Ethernet (FCoE) network because pause frames sent from the virtual expansion (VE) port are generated and terminated by the outermost MAC layer. For more information on FCoE, see the *Cisco NX-OS FCoE Configuration Guide for Cisco Nexus 7000 and Cisco MDS 9500*.
- On both Supervisor 1 and Supervisor 2, you cannot monitor the FCoE inband traffic.
- You can monitor both ingress and egress FCoE traffic can be monitored in a local SPAN session through Ethernet interfaces, including shared interfaces, or VLANs. For shared interfaces, you can monitor the FCoE traffic only in the storage VDC.
- The MAC in MAC (MiM) header in SPAN copies is preserved for the following SPAN destinations:
  - F2e modules with Release 6.2 or later releases.
  - F3 series modules with any Cisco NX-OS Release.
  - For F3 series modules with Release 6.2.(6a), 6.2.(6b), or 6.2(8), the Fabricpath (FP) header is preserved unconditionally. In Release 6.2.10, the FP header is preserved by default, but this behavior can be changed by using the **switchport monitor exclude header** command to remove the FP or VLAN tag header for a specified SPAN destination in a VDC or the **system default switchport monitor exclude header** command to remove the FP or VLAN tag header for all destinations ports in the VDC. In Release 6.2.12, you can remove the FabricPath and VLAN tag headers using the **switchport monitor exclude header** command at the SPAN destination.
- The MiM header in SPAN copies is not preserved for the following SPAN destinations:
  - F1 and F2 series modules with any Cisco NX-OS Release.
  - F2e modules with Release 6.1(x).
  - For F3 series modules with Release 6.2.6, the FabricPath (FP) header is not preserved.

## Guidelines and Limitations for F1 Series Module

- Prior to Cisco NX-OS Release 7.2(0)D1(1), multiple SPAN destinations are not supported when an F Series module is present in a VDC. If multiple SPAN destinations are configured in a SPAN session, the session is disabled until the F Series module is powered down or moved to another VDC or the multiple SPAN destinations are reduced to a single destination.

Starting from Cisco NX-OS Release 7.2(0)D1(1), multiple destination SPAN sessions are supported. Only the primary destination is used to transmit SPAN packets originated from Fx modules. Traffic from M series module goes to every destination port.

- A FabricPath core port is not supported as a SPAN destination when an F Series module is present in a VDC. However, a FabricPath core port can be configured as a SPAN source interface.
- F1 Series modules are Layer 2 domain modules. Packets from Layer 3 sources can be spanned and directed to an F1 Series module SPAN destination. An F1 Series module interface cannot be configured as Layer 3, but it can receive Layer 3 traffic in a SPAN destination mode.
- When using SPAN sessions on F1 Series or F2 Series modules, ensure that the total amount of source traffic in a given session is less than or equal to the capacity of the SPAN destination interface or port channel for that session. If the SPAN source traffic exceeds the capacity of the SPAN destination, packet drops might occur on the SPAN source interfaces. This guideline does not apply to F2e, F3 or M3 Series modules.
- MTU truncation and the SPAN rate limit are supported on F Series and M2 Series modules and Supervisor 2.




---

**Note** You cannot enable MTU truncation and the SPAN rate limit for the same SPAN session on F1 Series modules. If you configure both for one session, only the rate limit is allowed on F1 Series modules, and MTU truncation is disabled until you disable the rate limit configuration. This limitation does not apply to F2 and M2 Series modules or Supervisor 2.

---

- For F1 Series modules, MTU truncation on egress spanned FabricPath (core) packets has 16 fewer bytes than the configured value because the SPAN destination removes the core header. In addition, when trunk ports are used as the SPAN destination, the spanned ingress packets have 4 more bytes than the configured MTU truncation size.
- For certain rate limit and packet size values on F Series modules, M2 Series modules, and Supervisor 2, the SPAN packet rate is less than the configured value because of the internal accounting of packet sizes and internal headers.
- SPAN sampling is supported only on F Series modules.
- Traditional SPAN sessions support traffic from the F Series and M Series modules. Extended SPAN sessions support traffic only from the F Series and M2 Series modules.
- F1 Series modules have limited support for rule-based SPAN. They do not support IPv6 source IP and IPv6 destination IP filters. They support only IPv4 and IPv6 ToS filters with values from 0 to 3. Port channel member lane, FCoE source ID, and FCoE destination ID are not supported.



## Guidelines and Limitations for F2/F2e Series Modules

- For certain rate limit and packet size values on F Series modules, M2 Series modules, and Supervisor 2, the SPAN packet rate is less than the configured value because of the internal accounting of packet sizes and internal headers.
- SPAN sampling is supported only on F Series modules.
- Traditional SPAN sessions support traffic from the F Series and M Series modules. Extended SPAN sessions support traffic only from the F Series and M2 Series modules.
- When the supervisor inband interface is monitored in the transmit direction on F2 Series modules, a 12-byte SHIM header is inserted after SMAC in SPAN packets.
- Prior to Cisco NX-OS Release 7.2(0)D1(1), multiple SPAN destinations are not supported when an F Series module is present in a VDC. If multiple SPAN destinations are configured in a SPAN session, the session is disabled until the F Series module is powered down or moved to another VDC or the multiple SPAN destinations are reduced to a single destination.

Starting from Cisco NX-OS Release 7.2(0)D1(1), multiple destination SPAN sessions are supported. Only the primary destination is used to transmit SPAN packets originated from Fx modules. Traffic from M series module goes to every destination port.

- A FabricPath core port is not supported as a SPAN destination when an F Series module is present in a VDC. However, a FabricPath core port can be configured as a SPAN source interface.
- SPAN source functionality on satellite ports and host interface port channels is not supported when the FEX is connected to F2 or F2e Series modules.
- When using SPAN sessions on F1 Series or F2 Series modules, ensure that the total amount of source traffic in a given session is less than or equal to the capacity of the SPAN destination interface or port channel for that session. If the SPAN source traffic exceeds the capacity of the SPAN destination, packet drops might occur on the SPAN source interfaces. This guideline does not apply to F2e, F3 or M3 Series modules.
- VLANs containing FEX interfaces can be a SPAN source, but the ingress traffic through the F2 Series module-based FEX ports cannot be captured.
- F2 Series modules support FEX, but they do not support FEX SPAN. Therefore, the FEX interfaces connected through the F2 Series modules cannot be made SPAN sources.
- You can span Fabric port channels on F2 Series modules.
- Layer 3 multicast egress packets cannot be spanned on F2 Series modules.
- MTU truncation and the SPAN rate limit are supported on F Series and M2 Series modules and Supervisor 2. These features are not supported on M1 Series modules.
- For F2 Series modules, ingress FEX packets spanned through the Fabric port channel have 6 fewer bytes than the configured MTU size because the VNTag header is removed on the SPAN destination.
- For F2 Series modules, egress SPAN packets of all traffic that ingresses on Layer 2 ports (including edge-to-edge traffic) have 16 fewer bytes than the configured MTU size because a MAC-in-MAC header is added internally and removed at the SPAN destination.
- For F2, F2e, and F3 Series modules using SPAN destination port channels, SPAN traffic is distributed among the member ports. However, the distribution pattern can be different from that of regular

(non-SPAN destination) port channels. For example, you can have even load distribution for regular port channels but uneven load distribution (or no load balancing) for SPAN destination port channels.

- For certain rate limit and packet size values on F Series modules, M2 Series modules, and Supervisor 2, the SPAN packet rate is less than the configured value because of the internal accounting of packet sizes and internal headers.
- SPAN sampling is supported only on F Series modules. It is not supported on M Series modules.
- Beginning with Cisco NX-OS Release 6.1, FCoE SPAN on F2 Series modules is supported for storage VDCs.
- Hardware session 15 is used by NetFlow on F2 and F2e Series modules. Any extended session using this hardware ID will not span incoming traffic on the F2 and the F2e ports.
- F2 and F2e Series modules have limited support for rule-based SPAN. They do not support wildcards in the IPv6 source IP filter and IPv6 destination IP filter. They do not support egress SPAN filtering for destination MAC addresses and source MAC addresses.

## Guidelines and Limitations for F3 Series Module

- For certain rate limit and packet size values on F Series modules, M2 Series modules, and Supervisor 2, the SPAN packet rate is less than the configured value because of the internal accounting of packet sizes and internal headers.
- SPAN sampling is supported only on F Series modules.
- Traditional SPAN sessions support traffic from the F Series and M Series modules. Extended SPAN sessions support traffic only from the F Series and M2 Series modules.
- Layer 3 multicast egress packets cannot be spanned on F3 Series modules.
- Prior to Cisco NX-OS Release 7.2(0)D1(1), multiple SPAN destinations are not supported when an F Series module is present in a VDC. If multiple SPAN destinations are configured in a SPAN session, the session is disabled until the F Series module is powered down or moved to another VDC or the multiple SPAN destinations are reduced to a single destination.

Starting from Cisco NX-OS Release 7.2(0)D1(1), multiple destination SPAN sessions are supported. Only the primary destination is used to transmit SPAN packets originated from Fx modules. Traffic from M series module goes to every destination port.

- MTU truncation and the SPAN rate limit are supported on F Series and M2 Series modules and Supervisor 2.
- A FabricPath core port is not supported as a SPAN destination when an F Series module is present in a VDC. However, a FabricPath core port can be configured as a SPAN source interface.
- F3 Series modules do not support wildcards in the IPv6 source IP filters and the IPv6 destination IP filters.

## Guidelines and Limitations for M1/M1XL Series Modules

- SPAN sampling is not supported on M Series modules.

- Traditional SPAN sessions support traffic from the F Series and M Series modules. Extended SPAN sessions support traffic only from the F Series and M2 Series modules.
- Beginning with Cisco NX-OS Release 5.2, you can configure the Cisco Nexus 2000 Series Fabric Extender (FEX) interfaces and the fabric port channels that are connected to the Cisco Nexus 2000 Series Fabric Extender as SPAN sources. However, you cannot configure them as SPAN destinations.



---

**Note** SPAN on Fabric Extender interfaces and fabric port channels is supported on the M1 Series and M2 Series modules. SPAN runs on the Cisco Nexus 7000 Series device, not on the Fabric Extender.

---

- If a port channel is the SPAN destination interface for SPAN traffic that is sourced from a Cisco Nexus 7000 M1 Series module, only a single member interface will receive copied source packets. The same limitation does not apply to SPAN traffic sourced from all other Cisco Nexus series modules, including the Cisco Nexus 7000 M1-XL Series modules.
- MTU truncation and the SPAN rate limit are not supported on M1 Series modules.
- SPAN sampling is not supported on M Series modules.
- Multicast best effort mode applies only to M1 Series modules.
- Extended SPAN sessions cannot source incoming traffic on M1 Series modules in either the ingress or egress direction.
- Traditional SPAN sessions support traffic from the F Series and M Series modules. Extended SPAN sessions support traffic only from the F Series and M2 Series modules.
- M1 Series modules and Supervisor 1 do not support rule-based SPAN. They support only VLAN filtering.
- M1 and M2 Series modules support exception SPAN only in the nonadministration VDC, and at least one interface of the module must be present for the VDC.

## Guidelines and Limitations for M2/M2XL Series Modules

- Beginning with Cisco NX-OS Release 5.2, you can configure the Cisco Nexus 2000 Series Fabric Extender (FEX) interfaces and the fabric port channels that are connected to the Cisco Nexus 2000 Series Fabric Extender as SPAN sources. However, you cannot configure them as SPAN destinations.



---

**Note** SPAN on Fabric Extender interfaces and fabric port channels is supported on the M1 Series and M2 Series modules. SPAN runs on the Cisco Nexus 7000 Series device, not on the Fabric Extender.

---

- For certain rate limit and packet size values on F Series modules, M2 Series modules, and Supervisor 2, the SPAN packet rate is less than the configured value because of the internal accounting of packet sizes and internal headers.
- Packets may get dropped when the ingress SPAN configured on M2 module and on any other next gen line card module such as F3, M3 having SPAN destination ports; and if the configured monitor sessions on M2 modules and its hardware session IDs (check the **show monitor resource session all** command

output for hw\_ssn\_id) are more than 11. To overcome this issue, shut down all the SPAN sessions/unconfigure and re-configure the sessions.

- SPAN sampling is not supported on M Series modules.
- Traditional SPAN sessions support traffic from the F Series and M Series modules. Extended SPAN sessions support traffic only from the F Series and M2 Series modules.
- M1 and M2 Series modules support exception SPAN only in the nonadministration VDC, and at least one interface of the module must be present for the VDC.
- For MTU truncation on M2 Series modules, the truncated length of SPAN packets is rounded down to the nearest multiplier of 16 bytes. For example, with an MTU configuration value of 65 to 79, packets are truncated to 64 bytes.
- Only eight sessions can support rate limiting on M2 Series modules. Any additional hardware sessions will not apply the configured rate limiter on M2 Series modules.
- M1 and M2 Series modules support exception SPAN only in the nonadministration VDC, and at least one interface of the module must be present for the VDC.

## Guidelines and Limitations for M3 Series Modules

- Beginning with Cisco NX-OS Release 7.3(1)DX(1), SPAN is supported on M3 Series modules.
- SPAN sampling is supported on M Series modules and Supervisor 2.
- Extended SPAN sessions support traffic from M3 Series modules.
- If a monitor session has a source with both VLAN and a physical port, traffic may span on ports which may not be a part of the monitor session. This is applicable when M3-series I/O modules are used.

## Default Settings for SPAN

The following table lists the default settings for SPAN parameters.

Parameters	Default
SPAN sessions	Created in the shut state
MTU truncation	Disabled
Multicast best effort mode	Disabled
SPAN rate limit for traditional SPAN sessions	Disabled
SPAN rate limit for extended SPAN sessions	Enabled
SPAN sampling	Disabled

# Configuring SPAN



---

**Note** Cisco NX-OS commands for this feature may differ from those in Cisco IOS.

---

## Configuring a SPAN Session

You can configure a SPAN session on the local device only. By default, SPAN sessions are created in the shut state.

For sources, you can specify Ethernet ports, port channels, the supervisor inband interface, and VLANs (ingress only).

A single SPAN session can include mixed sources in any combination of Ethernet ports, VLANs, or the inband interface to the control plane CPU. You cannot specify Ethernet port subinterfaces as sources for a SPAN session.



- 
- Note**
- To use a Layer 3 port-channel subinterface as a SPAN source in the monitor session, you must specify the VLAN ID that you entered when configuring IEEE 802.1Q VLAN encapsulation for the subinterface as the filter VLAN. When you use the main interface and the SPAN VLAN filter to filter the 802.1Q VLANs on the subinterfaces, SPAN shows the traffic for all subinterfaces on the SPAN destination port.
  - When VLANs containing trunk members are configured as SPAN sources, and another set of VLANs are configured as SPAN VLAN filters, then the unwanted traffic from those filter VLANs can be potentially captured.
- 

When you specify the supervisor inband interface for a SPAN source, the device monitors all packets that arrive on the supervisor hardware (ingress).

For destination ports, you can specify Ethernet ports or port channels in either access or trunk mode. You must enable monitor mode on all destination ports.

For bidirectional traditional sessions, you can configure the sessions without specifying the direction of the traffic.

For extended SPAN sessions, you can configure the sessions in one of the following ways:

- Configure a bidirectional session by not specifying any direction when you create the session and changing the mode to extended by entering the **mode extended** command.
- Configure a unidirectional session by specifying the traffic direction when you create the session.

### Before you begin

Make sure you are in the correct VDC. To switch VDCs, use the `switchto vdc` command.

You must have already configured the destination ports in access or trunk mode. For more information, see the *Cisco Nexus 7000 Series NX-OS Interfaces Configuration Guide*.

## Procedure

	Command or Action	Purpose
<b>Step 1</b>	<b>configure terminal</b> <b>Example:</b> switch# configure terminal switch(config)#	Enters global configuration mode.
<b>Step 2</b>	<b>interface ethernet <i>interface slot/port</i></b> <b>Example:</b> switch(config)# interface ethernet 2/5 switch(config-if)#	Enters interface configuration mode on the selected slot and port.
<b>Step 3</b>	<b>switchport</b> <b>Example:</b> switch(config-if)# switchport switch(config-if)#	Configures switchport parameters for the selected slot and port or range of ports.
<b>Step 4</b>	<b>switchport mode [access   trunk   private-vlan]</b> <b>Example:</b> switch(config-if)# switchport mode trunk switch(config-if)#	Configures switchport parameters for the selected slot and port or range of ports. <ul style="list-style-type: none"> <li>• access</li> <li>• trunk</li> <li>• private-vlan</li> </ul>
<b>Step 5</b>	<b>switchport monitor [ingress [learning]]</b> <b>Example:</b> switch(config-if)# switchport monitor	Configures the switchport interface as a SPAN destination: <ul style="list-style-type: none"> <li>• <b>ingress</b>— Allows the SPAN destination port to inject packets that disrupt a certain TCP packet stream, for example, in networks with IDS.</li> <li>• <b>ingress learning</b>— Allows the SPAN destination port to inject packets, and allows the learning of MAC addresses, for example, the IDS MAC address.</li> </ul>
<b>Step 6</b>	(Optional) Repeat Steps 2 and 3 to configure monitoring on additional SPAN destinations	—
<b>Step 7</b>	<b>no monitor session <i>session-number</i></b> <b>Example:</b> switch(config)# no monitor session 3	Clears the configuration of the specified SPAN session. The new session configuration is added to the existing session configuration.

	Command or Action	Purpose
<b>Step 8</b>	<p><b>monitor session</b> <i>session-number</i> [<b>shut</b>]</p> <p><b>Example:</b></p> <pre>switch(config)# monitor session 3 rx switch(config-monitor)#</pre> <p><b>Example:</b></p> <pre>switch(config)# monitor session 3 tx switch(config-monitor)#</pre> <p><b>Example:</b></p> <pre>switch(config)# monitor session 3 shut switch(config-monitor)#</pre>	<p>Clears the configuration of the specified SPAN session. The new session configuration is added to the existing session configuration.</p> <p>Enters the monitor configuration mode. The new session configuration is added to the existing session configuration. By default, the session is created in the shut state, and the session is a local SPAN session. The optional keywords are as follows:</p> <ul style="list-style-type: none"> <li>• rx—Specifies an ingress extended SPAN session.</li> <li>• tx—Specifies an egress extended SPAN session.</li> <li>• shut—Specifies a shut state for the selected session.</li> </ul>
<b>Step 9</b>	<p><b>mode extended</b></p> <p><b>Example:</b></p> <pre>switch(config-monitor)# mode extended</pre>	<p>(Optional) Configures the SPAN session as an extended bidirectional session.</p> <p><b>Note</b> You cannot use this command for a unidirectional SPAN session.</p>
<b>Step 10</b>	<p><b>description</b> <i>description</i></p> <p><b>Example:</b></p> <pre>switch(config-monitor)# description my_span_session_3</pre>	<p>Configures a description for the session. By default, no description is defined. The description can be up to 32 alphanumeric characters.</p>
<b>Step 11</b>	<p><b>source</b> {<b>interface</b> {<b>all</b>   <i>type</i>}   <b>vlan</b> {<i>number</i>   <i>range</i>}} [<b>rx</b>   <b>tx</b>   <b>both</b>]</p> <p><b>Example:</b></p> <pre>switch(config-monitor)# source interface ethernet 2/1-3, ethernet 3/1 rx</pre> <p><b>Example:</b></p> <pre>switch(config-monitor)# source interface port-channel 2</pre> <p><b>Example:</b></p> <pre>switch(config-monitor)# source interface sup-eth 0 both</pre> <p><b>Example:</b></p> <pre>switch(config-monitor)# source vlan 3, 6-8 rx</pre> <p><b>Example:</b></p> <pre>switch(config-monitor)# source interface ethernet 101/1/1-3</pre>	<p>Configures sources and the traffic direction in which to copy packets. You can enter a range of Ethernet ports, a port channel, an inband interface, a range of VLANs, a Cisco Nexus 2000 Series Fabric Extender interface, or a fabric port channel connected to a Cisco Nexus 2000 Series Fabric Extender.</p> <p>You can configure one or more sources, as either a series of comma-separated entries or a range of numbers. You can specify up to 128 interfaces. The VLAN range is from 1 to 3967. The VLAN range of 4048 to 4093 is also supported for Cisco NX-OS releases prior to 6.1.</p> <p>You can specify the traffic direction to copy as ingress (rx), egress (tx), or both. By default, the direction is both. For a unidirectional session, the direction of the source must match the direction specified in the session.</p>

	Command or Action	Purpose
	<p><b>Example:</b></p> <pre>switch(config-monitor)# source interface all rx</pre>	Beginning with Cisco NX-OS Release 7.3(0)D1(1), you can use the <b>all</b> keyword to enable the monitor session to monitor all VLANs and ports in the VDC such as physical ports, Port Channels, FEX ports and FEX Port Channels. The <b>all</b> keyword is supported only in Extended SPAN sessions.
<b>Step 12</b>	(Optional) Repeat Step 11 to configure all SPAN sources.	—
<b>Step 13</b>	<p>(Optional) <b>filter vlan</b> {<i>number</i>   <i>range</i>} [<b>include-untagged</b>]</p> <p><b>Example:</b></p> <pre>switch(config-monitor)# filter vlan 3-5, 7</pre>	<p>(Optional) Configures which VLANs to select from the configured sources. You can configure one or more VLANs, as either a series of comma-separated entries, or a range of numbers. The VLAN range is from 1 to 3967. The VLAN range of 4048 to 4093 is also supported for Cisco NX-OS releases prior to 6.1.</p> <p>The include-untagged keyword applies a VLAN access map to one or more VLANs and includes untagged frames on a port with Layer 3 subinterfaces.</p> <p>You can enable monitoring of a higher number of specific VLAN sources than the VLAN source limits currently supported in extended SPAN monitor session by using the <b>filter vlan</b> command with the <b>source interface all</b> command to filter the irrelevant VLANs.</p>
<b>Step 14</b>	(Optional) Repeat Step 13 to configure all source VLANs to filter.	—
<b>Step 15</b>	<p>Required: <b>destination interface type</b> {<i>number</i>   <i>range</i>}</p> <p><b>Example:</b></p> <pre>switch(config-monitor)# destination interface ethernet 2/5, ethernet 3/7</pre>	<p>Configures destinations for copied source packets. You can configure one or more destinations as either a series of comma-separated entries or a range of numbers. You can specify up to 128 interfaces.</p> <p><b>Note</b> SPAN destination ports must be either access or trunk ports.</p> <p><b>Note</b> The Cisco Nexus 2000 Series Fabric Extender interfaces and the fabric port channels connected to the Cisco Nexus 2000 Series Fabric Extender cannot be configured as SPAN destinations.</p>
<b>Step 16</b>	(Optional) Repeat Step 15 to configure all SPAN destination ports.	—



	Command or Action	Purpose
<b>Step 17</b>	Required: <b>no shut</b>  <b>Example:</b> <code>switch(config-monitor)# no shut</code>	Enables the SPAN session. By default, the session is created in the shut state.
<b>Step 18</b>	(Optional) <b>show monitor session</b> {all   <i>session-number</i>   <b>range session-range</b> } [ <b>brief</b> ]  <b>Example:</b> <code>switch(config-monitor)# show monitor session 3</code>	Displays the SPAN configuration.
<b>Step 19</b>	(Optional) <b>copy running-config startup-config</b>  <b>Example:</b> <code>switch(config)# copy running-config startup-config</code>	Copies the running configuration to the startup configuration.

## Configuring Multi-Destination SPAN on F2 Series Modules

If you are configuring a multiple destination port for a SPAN session on a Cisco Nexus 7000 switch, do the following:

- Remove the module type restriction when configuring multiple SPAN destination port to allow a SPAN session.
- Designate a primary destination port for VDCs with any Fx module or supervisor to activate a SPAN session.



**Note** The primary destination configuration does not impact transmission of SPAN packets originating from the M-series module; the primary destination has be active for the SPAN session to be activated.

For sources, you can specify ports, VLANs, or RSPAN VLANs.

### Before you begin

Multiple destination SPAN sessions were not supported in VDCs with F-series modules (F1/F2/F2E/F3), and hence even if the sessions were configured, they were not enabled in the VDCs. Starting from Cisco NX-OS Release 7.2, multiple destination SPAN sessions are supported. The primary destination is used to transmit SPAN packets originated from Fx modules.

### BEFORE YOU BEGIN

Ensure that you are in the correct VDC (or use the **switch to vdc** command).

## Procedure

	Command or Action	Purpose
<b>Step 1</b>	<b>configure terminal</b> <b>Example:</b> <pre>switch# configure terminal switch(config)#</pre>	Enters global configuration mode.
<b>Step 2</b>	<b>no monitor session <i>session-number</i></b> <b>Example:</b> <pre>switch(config)# no monitor session 3</pre>	Clears the configuration of the specified SPAN session. The new session configuration is added to the existing session configuration.
<b>Step 3</b>	<b>monitor session <i>session-number</i></b> <b>Example:</b> <pre>switch(config)# monitor session 4 rx switch(config-monitor)#</pre> <b>Example:</b> <pre>switch(config)# monitor session 3 tx switch(config-monitor)#</pre>	Enters the monitor configuration mode. The new session configuration is added to the existing session configuration, which specifies the SPAN session for which the source rate limit is to be configured. By default, the session is created in the shut state, and the session is a local SPAN session.
<b>Step 4</b>	<b>source {<i>interface type</i>   <i>vlan {number   range}</i>} [<i>rx</i>   <i>tx</i>   <i>both</i>]</b> <b>Example:</b> <pre>switch(config-monitor)# source interface ethernet 2/1-3, ethernet 3/1 rx</pre>	<p>Configures sources and the traffic direction in which to copy packets. You can enter a range of Ethernet ports, a port channel, an inband interface, or a range of VLANs.</p> <p>You can configure one or more sources, as either a series of comma-separated entries or a range of numbers. You can specify up to 128 interfaces.</p> <p>You can specify the traffic direction to copy as ingress (rx), egress (tx), or both. By default, the direction is both.</p> <p><b>Note</b> Source VLANs are supported only in the ingress (rx) direction.</p>
<b>Step 5</b>	(Optional) Repeat Step 4 to configure all virtual SPAN VLAN sources.	—
<b>Step 6</b>	<b>Required: <i>destination interface type {number   range}</i> [<i>primary</i>]</b> <b>Example:</b> <pre>switch(config-monitor)# destination interface ethernet 2/5, ethernet 3/7 primary</pre>	<p>Configures destinations for copied source packets. You can configure one or more destinations as either a series of comma-separated entries or a range of numbers. However, only one such primary port can be configured in a session. You can specify up to 128 interfaces.</p> <p><b>Note</b> SPAN destination ports must be either access or trunk ports.</p>

	Command or Action	Purpose
<b>Step 7</b>	Required: <b>no rate-limit</b>  <b>Example:</b> <code>switch(config-monitor)# no rate limit</code>	Sets the rate limit for the SPAN traffic.
<b>Step 8</b>	Required: <b>no destination interface type {number   range} [primary]</b>  <b>Example:</b> <code>switch(config-monitor)# destination interface ethernet 2/5, ethernet 3/7 primary</code>	Checks the configuration to ensure that the primary attribute is not configured on the destination port. Displays an error message if more than one port is configured.  <b>Note</b> ERROR: Cannot configure more than one "Primary" destination port in a session.
<b>Step 9</b>	(Optional) Repeat Step 12 to configure all source VLANs to filter.	—
<b>Step 10</b>	Required: <b>no shut</b>  <b>Example:</b> <code>switch(config-monitor)# no shut</code>	Enables the SPAN session. By default, the session is created in the shut state.
<b>Step 11</b>	(Optional) <b>show monitor session {all   session-number   range session-range} [brief]</b>  <b>Example:</b> <code>switch(config-monitor)# show monitor session 3</code>	Displays the SPAN configuration.
<b>Step 12</b>	(Optional) <b>copy running-config startup-config</b>  <b>Example:</b> <code>switch(config)# copy running-config startup-config</code>	Copies the running configuration to the startup configuration.

## Configuring Multiple SPAN Sessions on a SPAN Destination Port

### BEFORE YOU BEGIN

Ensure that you are in the correct VDC (or use the **switch to vdc** command).

### Before you begin

With the introduction of multiple SPAN sessions, it is important to share the destination interface across multiple SPAN sessions, which not only reduce the N7K hardware cost of the SPAN sessions and the traffic monitoring equipment, it can also simplify the overall network connections.

- Rate limiter 'auto' mode is not allowed with span session(s) having shared span destination port(s).
- The 'manual' mode is recommended when the rate limit is required for individual SPAN session.

**Procedure**

	<b>Command or Action</b>	<b>Purpose</b>
<b>Step 1</b>	<b>configure terminal</b> <b>Example:</b> <pre>switch# configure terminal switch(config)#</pre>	Enters global configuration mode.
<b>Step 2</b>	<b>monitor session <i>session-number</i>[<i>session-type</i>]</b> <b>Example:</b> <pre>switch(config)# monitor session 3 span switch(config-monitor)#</pre>	Enters the monitor configuration mode and specifies a SPAN session.
<b>Step 3</b>	Required: <b>destination interface {<i>ethernet x/y</i>   <i>port-channel z</i>}</b> <b>Example:</b> <pre>switch(config-monitor)# destination interface ethernet1/2</pre>	(Optional) Specifies the option to add a destination port.  <b>Note</b> Rate limit auto should be disabled for sharing SPAN destination ports across multiple sessions. However, if the rate limit auto is enabled for a destination port and the destination port is already used in any other SPAN session, there will be a request to disable the auto mode first.
<b>Step 4</b>	Required: <b>no rate-limit {<i>auto</i>   <i>rate-value</i>}</b> <b>Example:</b> <pre>switch(config-monitor-local)# no rate-limit auto</pre>	(Optional) Enables the rate limit.  <b>Note</b> Auto rate limit should be disabled for sharing SPAN destination ports across multiple sessions. If a shared destination port is configured in the span session, the CLI gets rejected until you remove the shared destination port.

## Configuring a Virtual SPAN Session

You can configure a virtual SPAN session to copy packets from source ports, VLANs, and RSPAN VLANs to destination ports on the local device. By default, SPAN sessions are created in the shut state.

For sources, you can specify ports, VLANs, or RSPAN VLANs.

**Before you begin**

Ensure that you are in the correct VDC (or use the **switchto vdc** command).

You have already configured the destination ports in trunk mode. For more information, see the Cisco Nexus 7000 Series NX-OS Interfaces Configuration Guide.

You have already configured the destination ports to monitor a SPAN session with the **switchport monitor** command.

### Procedure

	Command or Action	Purpose
<b>Step 1</b>	<b>configure terminal</b> <b>Example:</b> <pre>switch# configure terminal switch(config)#</pre>	Enters global configuration mode.
<b>Step 2</b>	<b>no monitor session <i>session-number</i></b> <b>Example:</b> <pre>switch(config)# no monitor session 3</pre>	Clears the configuration of the specified SPAN session. The new session configuration is added to the existing session configuration.
<b>Step 3</b>	<b>monitor session <i>session-number</i></b> <b>Example:</b> <pre>switch(config)# monitor session 3 rx switch(config-monitor)#</pre> <b>Example:</b> <pre>switch(config)# monitor session 3 tx switch(config-monitor)#</pre> <b>Example:</b> <pre>switch(config)# monitor session 3 shut switch(config-monitor)#</pre>	Enters the monitor configuration mode. The new session configuration is added to the existing session configuration. By default, the session is created in the shut state, and the session is a local SPAN session. The optional keyword shut specifies a shut state for the selected session.
<b>Step 4</b>	<b>source {<i>interface type</i>   <i>vlan {number   range}</i>} [<i>rx</i>   <i>tx</i>   <i>both</i>]</b> <b>Example:</b> <pre>switch(config-monitor)# source interface ethernet 2/1-3, ethernet 3/1 rx</pre> <b>Example:</b> <pre>switch(config-monitor)# source interface port-channel 2</pre> <b>Example:</b> <pre>switch(config-monitor)# source interface sup-eth 0 both</pre> <b>Example:</b> <pre>switch(config-monitor)# source vlan 3, 6-8 rx</pre> <b>Example:</b> <pre>switch(config-monitor)# source interface ethernet 101/1/1-3</pre>	<p>Configures sources and the traffic direction in which to copy packets. You can enter a range of Ethernet ports, a port channel, an inband interface, or a range of VLANs.</p> <p>You can configure one or more sources, as either a series of comma-separated entries or a range of numbers. You can specify up to 128 interfaces.</p> <p>You can specify the traffic direction to copy as ingress (rx), egress (tx), or both. By default, the direction is both.</p> <p><b>Note</b> Source VLANs are supported only in the ingress (rx) direction.</p> <p>For a unidirectional session, the direction of the source must match the direction specified in the session.</p>
<b>Step 5</b>	(Optional) Repeat Step 4 to configure all virtual SPAN VLAN sources.	—

	Command or Action	Purpose
<b>Step 6</b>	Required: <b>destination interface</b> <i>type {number   range}</i> <b>Example:</b> <pre>switch(config-monitor)# destination interface ethernet 2/5, ethernet 3/7</pre>	Configures destinations for copied source packets. You can configure one or more destinations as either a series of comma-separated entries or a range of numbers. You can specify up to 128 interfaces. <b>Note</b> SPAN destination ports must be either access or trunk ports.
<b>Step 7</b>	(Optional) Repeat Step 12 to configure all source VLANs to filter.	—
<b>Step 8</b>	Required: <b>no shut</b> <b>Example:</b> <pre>switch(config-monitor)# no shut</pre>	Enables the SPAN session. By default, the session is created in the shut state.
<b>Step 9</b>	(Optional) <b>show monitor session</b> { <b>all</b>   <i>session-number</i>   <b>range</b> <i>session-range</i> } [ <b>brief</b> ] <b>Example:</b> <pre>switch(config-monitor)# show monitor session 3</pre>	Displays the SPAN configuration.
<b>Step 10</b>	Required: <b>interface ethernet</b> <i>slot/port [port]</i> <b>Example:</b> <pre>switch(config)# interface ethernet 2/5 switch(config-if)#</pre>	Enters interface configuration mode on the selected slot and port or range of ports.
<b>Step 11</b>	(Optional) <b>switchport trunk allowed vlan</b> { <b>all</b>   <i>session-number</i>   <b>range</b> <i>session-range</i> } [ <b>brief</b> ] <b>Example:</b> <pre>switch(config-monitor)# show monitor session 3</pre>	Configures the range of VLANs that are allowed on the interface. You can add to or remove from the existing VLANs, you can select all VLANs except those VLANs that you specify, or you can select all or none of the VLANs. By default, all VLANs are allowed on the interface.  You can configure one or more VLANs as either a series of comma-separated entries or a range of numbers. The VLAN range is from 1 to 3967. The  VLAN range of 4048 to 4093 is also supported for Cisco NX-OS releases prior to 6.1.
<b>Step 12</b>	(Optional) Repeat Steps 10 and 11 to configure the allowed VLANs on each destination port.	
<b>Step 13</b>	(Optional) <b>show interface ethernet</b> <b>Example:</b> <pre>switch(config)# interface ethernet 2/5 switch(config-if)#</pre>	(Optional) Displays the interface trunking configuration for the selected slot and port or range of ports.

	Command or Action	Purpose
<b>Step 14</b>	(Optional) <b>copy running-config startup-config</b>  <b>Example:</b> switch(config)# copy running-config startup-config	Copies the running configuration to the startup configuration.

## Configuring an RSPAN VLAN

You can specify a remote SPAN (RSPAN) VLAN as a SPAN session source.

### Before you begin

Ensure that you are in the correct VDC (or use the **switchto vdc** command).

### Procedure

	Command or Action	Purpose
<b>Step 1</b>	<b>configure terminal</b>  <b>Example:</b> switch# configure terminal switch(config)#	Enters global configuration mode.
<b>Step 2</b>	<b>vlan <i>vlan</i></b>  <b>Example:</b> switch(config)# vlan 901 switch(config-vlan)#	Enters VLAN configuration mode for the VLAN specified.
<b>Step 3</b>	<b>remote-span</b>  <b>Example:</b> switch(config-vlan)# remote-span	Configures the VLAN as an RSPAN VLAN.
<b>Step 4</b>	<b>exit</b>  <b>Example:</b> switch(config-vlan)# exit switch(config)#	Exits VLAN configuration mode.
<b>Step 5</b>	(Optional) <b>show vlan</b>  <b>Example:</b> switch(config)# show vlan	(Optional) Displays the VLAN configuration. Remote SPAN VLANs are listed together.
<b>Step 6</b>	(Optional) <b>copy running-config startup-config</b>  <b>Example:</b> switch(config)# copy running-config startup-config	(Optional) Copies the running configuration to the startup configuration.

## Shutting Down or Resuming a SPAN Session

You can shut down SPAN sessions to discontinue the copying of packets from sources to destinations. You can shut down one session in order to free hardware resources to enable another session. By default, SPAN sessions are created in the shut state.

You can resume (enable) SPAN sessions to resume the copying of packets from sources to destinations. In order to enable a SPAN session that is already enabled but operationally down, you must first shut it down and then enable it.

You can configure the shut and enabled SPAN session states with either a global or monitor configuration mode command.

### Procedure

	Command or Action	Purpose
<b>Step 1</b>	<b>configure terminal</b> <b>Example:</b> <pre>switch# configure terminal switch(config)#</pre>	Enters global configuration mode.
<b>Step 2</b>	<b>[no] monitor session {<i>session-range</i>   all} shut</b> <b>Example:</b> <pre>switch(config)# monitor session 3 shut</pre>	Shuts down the specified SPAN sessions. By default, sessions are created in the shut state.  The <b>no</b> form of the command resumes (enables) the specified SPAN sessions. By default, sessions are created in the shut state.  <b>Note</b> If a monitor session is enabled but its operational status is down, to enable the session, you must first specify the <b>monitor session shut</b> command followed by the <b>no monitor session shut</b> command.
<b>Step 3</b>	<b>monitor session <i>session-number</i></b> <b>Example:</b> <pre>switch(config)# monitor session 3 switch(config-monitor)#</pre>	Enters the monitor configuration mode. The new session configuration is added to the existing session configuration.
<b>Step 4</b>	<b>[no] shut</b> <b>Example:</b> <pre>switch(config-monitor)# shut</pre>	Shuts down the SPAN session. By default, the session is created in the shut state.  The <b>no</b> form of the command enables the SPAN session. By default, the session is created in the shut state.
<b>Step 5</b>	(Optional) <b>show monitor</b> <b>Example:</b> <pre>switch(config-monitor)# show monitor</pre>	Displays the status of SPAN sessions.



	Command or Action	Purpose
<b>Step 6</b>	(Optional) <b>copy running-config startup-config</b>  <b>Example:</b> <pre>switch(config)# copy running-config startup-config</pre>	Copies the running configuration to the startup configuration.

## Configuring MTU Truncation for Each SPAN Session

To reduce the SPAN traffic bandwidth, you can configure the maximum bytes allowed for each replicated packet in a SPAN session. This value is called the maximum transmission unit (MTU) truncation size. Any SPAN packet larger than the configured size is truncated to the configured size.



**Note** MTU truncation and the SPAN rate limit cannot be enabled for the same SPAN session on F1 Series modules. If you configure both for one session, only the rate limit is allowed on F1 Series modules, and MTU truncation is disabled until you disable the rate limit configuration. This limitation does not apply to F2 and M2 Series modules or Supervisor 2.



**Note** MTU truncation and SPAN sampling can be enabled at the same time and have no precedence over each other because they are applied to different aspects of the source packet (size versus packet count).

### Before you begin

Ensure that you are in the correct VDC (or use the **switchto vdc** command).

### Procedure

	Command or Action	Purpose
<b>Step 1</b>	<b>configure terminal</b>  <b>Example:</b> <pre>switch# configure terminal switch(config)#</pre>	Enters global configuration mode.
<b>Step 2</b>	<b>monitor session <i>session-number</i></b>  <b>Example:</b> <pre>switch(config)# monitor session 3 switch(config-monitor)#</pre>	Enters the monitor configuration mode and specifies the SPAN session for which the MTU truncation size is to be configured.
<b>Step 3</b>	Required: <b>[no] mtu <i>mtu</i></b>  <b>Example:</b> <pre>switch(config-monitor)# mtu 64</pre>	Configures the MTU truncation size for packets in the specified SPAN session. The range is from 64 to 1500 bytes.

	Command or Action	Purpose
<b>Step 4</b>	<b>show monitor session</b> <i>session-number</i> <b>Example:</b> <pre>switch(config)# monitor session 3 switch(config-monitor)#</pre>	(Optional) Displays the status of SPAN sessions, including the configuration status of MTU truncation, the maximum bytes allowed for each packet per session, and the modules on which MTU truncation is and is not supported.
<b>Step 5</b>	(Optional) <b>copy running-config startup-config</b> <b>Example:</b> <pre>switch(config)# copy running-config startup-config</pre>	Copies the running configuration to the startup configuration.

## Configuring a Source Rate Limit for Each SPAN Session

When a SPAN session is configured with multiple interfaces or VLANs as the sources in a high-traffic environment, the destination port can be overloaded, causing the normal data traffic to be disrupted at the source port. You can alleviate this problem as well as traffic overload on the source forwarding instance by configuring a source rate limit for each SPAN session.



**Note** MTU truncation and the SPAN rate limit cannot be enabled for the same SPAN session on F1 Series modules. If you configure both for one session, only the rate limit is allowed on F1 Series modules, and MTU truncation is disabled until you disable the rate limit configuration. This limitation does not apply to F2 and M2 Series modules or Supervisor 2.



**Note** SPAN sampling takes precedence over SPAN source rate limiting. Rate limiting takes effect after sampling is completed on SPAN source packets.

### Before you begin

Ensure that you are in the correct VDC (or use the **switchto vdc** command).

### Procedure

	Command or Action	Purpose
<b>Step 1</b>	<b>configure terminal</b> <b>Example:</b> <pre>switch# configure terminal switch(config)#</pre>	Enters global configuration mode.
<b>Step 2</b>	<b>monitor session</b> <i>session-number</i> <b>Example:</b> <pre>switch(config)# monitor session 3 switch(config-monitor)#</pre>	Enters the monitor configuration mode and specifies the SPAN session for which the source rate limit is to be configured.

	Command or Action	Purpose
<b>Step 3</b>	Required: <b>[no] rate-limit {auto   <i>rate-limit</i>}</b> <b>Example:</b> <pre>switch(config-monitor)# rate-limit auto</pre>	Configures the source rate limit for SPAN packets in the specified SPAN session in automatic or manual: <ul style="list-style-type: none"> <li>• Auto mode—Automatically calculates the rate limit on a per-gigabyte basis as follows: destination bandwidth / aggregate source bandwidth. For example, if the rate limit per gigabyte is 0.5, for every 1G of source traffic, only 0.5G of packets are spanned.</li> </ul> <p>For ingress traffic, the per-gigabyte limit is applied to each forwarding engine of the F Series module based on how many ports are used as the SPAN source so that the source can be spanned at the maximum available bandwidth. For egress traffic, the per-gigabyte limit is applied to each forwarding engine of the F Series module without considering how many ports are used as the SPAN source.</p> <ul style="list-style-type: none"> <li>• Manual mode—Specifies the percentage of the maximum rate of SPAN packets that can be sent out from each forwarding engine on a module. The range is from 1 to 100. For example, if the rate limit is 10 percent, the maximum rate of SPAN packets that can be sent out from each of the forwarding engines on an F Series module is 1G (or 10 percent of the 10G line rate).</li> </ul>
<b>Step 4</b>	<b>show monitor session <i>session-number</i></b> <b>Example:</b> <pre>switch(config)# monitor session 3 switch(config-monitor)#</pre>	(Optional) Displays the status of SPAN sessions, including the configuration status of the rate limit, the percentage of the maximum SPAN rate allowed per session, and the modules on which the rate limit is and is not supported.
<b>Step 5</b>	(Optional) <b>copy running-config startup-config</b> <b>Example:</b> <pre>switch(config)# copy running-config startup-config</pre>	Copies the running configuration to the startup configuration.

## Configuring Sampling for Each SPAN Session

Beginning with Cisco NX-OS Release 6.1, you can configure a sampling range for spanned traffic in order to reduce the SPAN traffic bandwidth and to monitor peer-to-peer traffic. Packet range-based sampling is used to provide an accurate count of the SPAN source packets.



**Note** Sampling and MTU truncation can be enabled at the same time and have no precedence over each other because they are applied to different aspects of the source packet (packet count versus size). However, sampling takes precedence over SPAN source rate limiting. Rate limiting takes effect after sampling is completed on SPAN source packets.

### Before you begin

Ensure that you are in the correct VDC (or use the **switchto vdc** command).

### Procedure

	Command or Action	Purpose
<b>Step 1</b>	<b>configure terminal</b>  <b>Example:</b> <pre>switch# configure terminal switch(config)#</pre>	Enters global configuration mode.
<b>Step 2</b>	<b>monitor session <i>session-number</i></b>  <b>Example:</b> <pre>switch(config)# monitor session 3 switch(config-monitor)#</pre>	
<b>Step 3</b>	<b>monitor session <i>session-number</i> [<i>rt</i>   <i>tx</i>] [<i>shut</i>]</b>  <b>Example:</b> <pre>switch(config-monitor)# sampling 100</pre>	Configures the sampling range for SPAN source packets. The sampling value is the range in which one packet out of x packets will be spanned, where x is from 2 to 1023. In this example, 1 out of every 100 packets will be spanned.
<b>Step 4</b>	(Optional) <b>show monitor session {<i>all</i>   <i>session-number</i>   <i>range session-range</i>} [<i>brief</i>]</b>  <b>Example:</b> <pre>switch(config-monitor)# show monitor session 3</pre>	Displays the status of SPAN sessions, including the configuration status of SPAN sampling, the sampling value, and the modules on which sampling is and is not supported.
<b>Step 5</b>	(Optional) <b>copy running-config startup-config</b>  <b>Example:</b> <pre>switch(config)# copy running-config startup-config</pre>	Copies the running configuration to the startup configuration.

# Complex Rule-based SPAN

## Before you begin

Complex filter rules can be created with multiple filters and product table resources. A few keywords, **Match**, **Permit**, **Deny** and **Filter-list** have been introduced in this release. The "Match" keyword helps to match on the fields and values set by the user. "Permit" keyword followed by the filter names allow a SPAN copy to be generated if all filters are hit. "Deny" keyword followed by the filter names allow a SPAN copy to be generated if all the filters are missed. "Filter-list" is a keyword that specifies all the rules defined by the permit and deny keywords.



**Note** Each filter list can contain multiple 'permit-deny' rules.

## Creating Filters

### BEFORE YOU BEGIN

Ensure that you are in the correct VDC (or use the **switchto vdc** command).

### Procedure

	Command or Action	Purpose
<b>Step 1</b>	<b>configure terminal</b> <b>Example:</b> <pre>switch# configure terminal switch(config)#</pre>	Enters global configuration mode.
<b>Step 2</b>	<b>monitor filter</b> <i>filter-name</i> <b>Example:</b> <pre>switch(config)# monitor filter test-filter switch(config-monitor-filter)#</pre>	Enters the monitor filter configuration mode. <b>Note</b> The length of the string should not exceed 32 characters.
<b>Step 3</b>	<b>match</b> [ <b>eth-type</b> <i>eth-type</i>   <b>src-mac</b> <i>mac-address mac-mask</i>   <b>dest-mac</b> <i>mac-address mac-mask</i>   <b>frame-type</b> [ <i>arp</i>   <i>eth</i>   <i>fcoe</i>   <i>ipv4</i>   <i>ipv6</i> ] <b>Example:</b> <pre>switch(config-monitor-filter)# match eth-type 0x0800 switch(config-monitor-filter)# match src-mac 40:55:39:0c:98:c1 ff:ff:ff:ff:ff:00 dest-mac 40:55:39:0c:98:c1 ff:ff:ff:ff:ff:00</pre>	Match specific fields in the packet under monitor filter configuration mode. <b>Note</b> Specifying match criteria in the same line or in multiple lines will have the same result.

## Creating Filter-Lists

### BEFORE YOU BEGIN

Ensure that you are in the correct VDC (or use the **switchto vdc** command).

### Procedure

	Command or Action	Purpose
<b>Step 1</b>	<b>configure terminal</b>  <b>Example:</b> <pre>switch# configure terminal switch(config)#</pre>	Enters global configuration mode.
<b>Step 2</b>	<b>monitor filter-list</b> <i>filter-list-name</i>  <b>Example:</b> <pre>switch(config)# monitor filter-list sample-filter-list switch(config-monitor-filter-list)#</pre>	Enters the monitor filter configuration mode.  <b>Note</b> The length of the string should not exceed 32 characters.
<b>Step 3</b>	<b>permit filter</b> <i>filter-names</i> <b>deny</b> <b>filter</b> <i>filter-names</i>  <b>Example:</b> <pre>switch(config-monitor-filter-list)# permit filter test-filter deny filter test-filter1 switch(config-monitor-filter-list)#  switch(config-monitor-filter-list)# permit filter test-filter2 switch(config-monitor-filter-list)#  switch(config-monitor-filter-list)# deny filter test-filter3 switch(config-monitor-filter-list)#</pre>	Use this command to permit and/or deny filters within the filter-list.  <b>Note</b> <ul style="list-style-type: none"> <li>When the command <b>permit filter</b> <i>filter-names</i> <b>deny filter</b> <i>filter-names</i> is specified in the same line, the rule matches all permit and deny criteria, where packets matching filter x and filter y in permit filter X and deny filter Y are SPAN-ed—this is an AND condition.</li> <li>When the command <b>permit filter</b> <i>filter-names</i> <b>deny filter</b> <i>filter-names</i> is specified in separate lines, the rule matches either permit or deny criteria, where packets match filter x OR filter y in permit filter X and deny filter Y are SPAN-ed—it is an OR condition.</li> </ul>

## Associating a Filter List to a Monitor Session

### BEFORE YOU BEGIN

Ensure that you are in the correct VDC (or use the **switchto vdc** command).



**Note** If you want to attach a complex filter to a SPAN session, ensure that there are no filters already attached to the SPAN session.

### Procedure

	Command or Action	Purpose
<b>Step 1</b>	<b>configure terminal</b> <b>Example:</b> <pre>switch# configure terminal switch(config)#</pre>	Enters global configuration mode.
<b>Step 2</b>	<b>monitor session <i>session-number</i> [<i>rt</i>   <i>tx</i>]</b> <b>Example:</b> <pre>switch(config)# monitor session 3 rx switch(config-monitor)# filter filter-list sample-filter-list</pre>	Enters the monitor configuration mode and specifies the SPAN session. The optional keywords are as follows: <ul style="list-style-type: none"> <li>• <b>rx</b>—Specifies an ingress extended SPAN session.</li> <li>• <b>tx</b>—Specifies an egress extended SPAN session.</li> </ul> <p><b>Note</b></p> <ul style="list-style-type: none"> <li>• If you are attaching a filter-list to a SPAN session on a Cisco Nexus 7000 series switch, then the <b>mode extended</b> command should be specified within the SPAN session.</li> <li>• The direction of the filter is derived from the SPAN session direction.</li> </ul>
<b>Step 3</b>	<b>exit</b> <b>Example:</b> <pre>switch(config-monitor)# exit</pre>	Returns to the global configuration mode.

## Configuring a Session with Rules Enabled

To create a local/erspan-source unidirectional/bidirectional session, configure the following:

### Procedure

	Command or Action	Purpose
<b>Step 1</b>	<b>configure terminal</b> <b>Example:</b>	Enters global configuration mode.

	Command or Action	Purpose
	switch# configure terminal switch(config)#	
<b>Step 2</b>	<b>monitor session</b> <i>session-number</i> [ <i>rt</i>   <i>tx</i> ] [ <i>shut</i> ]  <b>Example:</b> <pre>switch(config)# monitor session 3 rx switch(config-monitor)#</pre>	Enters the monitor configuration mode to configure a local SPAN/ERSPAN session. The optional keywords are as follows: <ul style="list-style-type: none"> <li>• rx—Specifies an ingress extended SPAN session.</li> <li>• tx—Specifies an egress extended SPAN session.</li> <li>• shut—Specifies a shut state for the selected session.</li> </ul>
<b>Step 3</b>	<b>mode extended</b>  <b>Example:</b> <pre>switch(config-monitor)# mode extended</pre>	(Optional) Changes mode to extended mode for bidirectional sessions.
<b>Step 4</b>	<b>filter frame-type source-ip src-ip</b>  <b>Example:</b> <pre>switch(config-monitor)# filter frame-type ipv4 src-ip 10.1.1.3/32 cos 3</pre>	Associates the rule-based filters to the session.
<b>Step 5</b>	Required: <b>source interface ethernet x/y</b>  <b>Example:</b> <pre>switch(conf-monitor)# source interface Ethernet 4/7 switch(conf-monitor)# destination interface Ethernet 4/7</pre>	Associates the source port and the destination port.
<b>Step 6</b>	Required: <b>no shut</b>  <b>Example:</b> <pre>switch(config-monitor)# no shut</pre>	Brings up the session.  <b>Note</b> Filter command can be split into separate lines and configured under the session mode. All the filters specified under a session will be under the AND rule.

## Configuring the Multicast Best Effort Mode for a SPAN Session

You can configure the multicast best effort mode for any SPAN session. By default, SPAN replication occurs on both the ingress and egress modules. When you enable the multicast best effort mode, SPAN replication occurs only on the ingress module for multicast traffic or on the egress module for packets that egress out of Layer 3 interfaces (that is, on the egress module, packets that egress out of Layer 2 interfaces are not replicated for SPAN).





**Note** For Layer 3 multicast traffic, SPAN replication occurs on the egress module. If traffic is multicasted to multiple egress modules, you could capture multiple SPAN copies for each packet (that is, one copy from each egress module).

### Before you begin

Ensure that you are in the correct VDC (or use the **switchto vdc** command).

### Procedure

	Command or Action	Purpose
<b>Step 1</b>	<b>configure terminal</b>  <b>Example:</b> <pre>switch# configure terminal switch(config)#</pre>	Enters global configuration mode.
<b>Step 2</b>	<b>monitor session <i>session-number</i></b>  <b>Example:</b> <pre>switch(config)# monitor session 3 switch(config-monitor)#</pre>	Enters the monitor configuration mode and specifies the SPAN session for which the source rate limit is to be configured.
<b>Step 3</b>	Required: <b>[no] multicast best-effort</b>  <b>Example:</b> <pre>switch(config-monitor)# multicast best-effort</pre>	Configures the multicast best effort mode for the specified SPAN session.
<b>Step 4</b>	<b>show monitor session <i>session-number</i></b>  <b>Example:</b> <pre>switch(config)# monitor session 3 switch(config-monitor)#</pre>	(Optional) Displays the status of SPAN sessions, including the configuration status of the rate limit, the percentage of the maximum SPAN rate allowed per session, and the modules on which the rate limit is and is not supported.
<b>Step 5</b>	(Optional) <b>copy running-config startup-config</b>  <b>Example:</b> <pre>switch(config)# copy running-config startup-config</pre>	Copies the running configuration to the startup configuration.

## Configuring Rule-Based SPAN

You can configure filters for ingress or egress SPAN traffic based on a set of rules. A simple filter has only one rule, and multiple fields or conditions can be added to this rule. The packets are spanned only if all conditions are met.

### Before you begin

Ensure that you are in the correct VDC (or use the **switchto vdc** command).

## Procedure

	Command or Action	Purpose
<b>Step 1</b>	<b>configure terminal</b> <b>Example:</b> <pre>switch# configure terminal switch(config)#</pre>	Enters global configuration mode.
<b>Step 2</b>	<b>monitor session <i>session-number</i> [shut]</b> <b>Example:</b> <pre>switch(config)# monitor session 3 switch(config-monitor)#</pre>	Enters the monitor configuration mode. The new session configuration is added to the existing session configuration. By default, the session is created in the shut state, and the session is a local SPAN session. The optional keywords are as follows: <ul style="list-style-type: none"> <li>• <b>rx</b>—Specifies an ingress extended SPAN session.</li> <li>• <b>tx</b>—Specifies an egress extended SPAN session.</li> <li>• <b>shut</b>—Specifies a shut state for the selected session.</li> </ul>
<b>Step 3</b>	<b>mode extended</b> <b>Example:</b> <pre>switch(config-monitor)# mode extended</pre>	(Optional) Configures the SPAN session as an extended bidirectional session.
<b>Step 4</b>	<b>[no] filter[<i>vlan-range</i>] [bpdu [true   false]] [cos <i>cos-value</i>] [dest-mac <i>dest-mac</i>] [eth-type <i>eth-value</i>] [flow-hash <i>flow-value</i>] [frame-type [eth   arp   fcoe   ipv4   ipv6]] [pc-lane <i>port-number</i>] [src_mac <i>mac-address</i>] [trace-route [true   false]]</b> <b>Example:</b> <pre>switch(config-monitor)# filter vlan 10,20 switch(config-monitor)# filter frame-type arp trace-route true switch(config-monitor)# filter bpdu false</pre>	Configures the filter for the SPAN session. To remove the filter from the session, enter the <b>no</b> form of the command. The optional keywords are as follows: <ul style="list-style-type: none"> <li>• <b>vlan</b>—Specifies a filter based on a VLAN range.</li> <li>• <b>bpdu</b>—Specifies a filter based on the bridge protocol data unit (BPDU) class of packets.</li> <li>• <b>cos</b>—Specifies a filter based on the class of service (CoS) in the dot1q header.</li> <li>• <b>dest-mac</b>—Specifies a filter based on a destination MAC address.</li> <li>• <b>eth-type</b>—Specifies a filter based on the Ethernet type.</li> <li>• <b>flow-hash</b>—Specifies a filter based on the result bundle hash (RBH) value.</li> <li>• <b>frame-type</b>—Specifies a filter based on a frame type.</li> </ul>

	Command or Action	Purpose
		<ul style="list-style-type: none"> <li>• <b>pc-lane</b>—Specifies a filter based on a member of the port channel.</li> <li>• <b>src-mac</b>—Specifies a filter based on a source MAC address.</li> <li>• <b>trace-route</b>—Specifies a filter based on the route bit in the header.</li> </ul>
<b>Step 5</b>	(Optional) <b>[no]filter frame-type eth</b> <b>Example:</b> <pre>switch(config-monitor)# filter frame-type eth</pre>	(Optional) Configures the Ethernet frame type filter for the SPAN session. To remove the filter from the session, enter the <b>no</b> form of the command.
<b>Step 6</b>	(Optional) <b>[no]filter frame-type arp</b> <b>[[arp-rarp [arp   rarp]] [req-resp [req   rsp]]</b> <b>[sender-ip ip-address] [target-ip ip-address]]</b> <b>Example:</b> <pre>switch(config-monitor)# filter frame-type arp arp-rarp arp</pre>	(Optional) Configures the ARP frame type filter for the SPAN session. To remove the filter from the session, enter the <b>no</b> form of the command. The optional keywords are as follows: <ul style="list-style-type: none"> <li>• <b>arp-rarp</b>—Specifies an ARP or RARP frame type filter.</li> <li>• <b>req-resp</b>—Specifies a filter based on a request or response.</li> <li>• <b>sender-ip</b>—Specifies a filter based on a sender IP address.</li> <li>• <b>target-ip</b>—Specifies a filter based on a target IP address.</li> </ul>
<b>Step 7</b>	(Optional) <b>[no]filter frame-type fcoe fcoe</b> <b>[[fc-sid FC-source-ID] [fc-did FC-dest-ID]</b> <b>[fcoe-type fcoe-value] [r-ctl r-ctl-value] [sof</b> <b>sof-value] [cmd-code cmd-value]]</b> <b>Example:</b> <pre>switch(config-monitor)# filter frame-type fcoe</pre>	(Optional) Configures the FCoE frame type filter for the SPAN session. To remove the filter from the session, enter the <b>no</b> form of the command. The optional keywords are as follows: <ul style="list-style-type: none"> <li>• <b>fc-sid</b>—Specifies a filter based on an FC source ID.</li> <li>• <b>fc-did</b>—Specifies a filter based on an FC destination ID.</li> <li>• <b>fcoe-type</b>—Specifies a filter based on an FCoE type.</li> <li>• <b>r-ctl</b>—Specifies a filter based on the routing control flags (R CTL) value.</li> <li>• <b>sof</b>—Specifies a filter based on the start of frame (SOF) packets.</li> </ul>

	Command or Action	Purpose
		<ul style="list-style-type: none"> <li>• <b>cmd-code</b>—Specifies a filter based on a command code.</li> </ul>
<b>Step 8</b>	<p>(Optional) <b>[no]filter frame-type ipv4</b> <b>[[src-ip src-ip] [dest-ip dest-ip] [tos tos-value] [l4-protocol l4-value]]</b></p> <p><b>Example:</b></p> <pre>switch(config-monitor)# filter frame-type ipv4 l4-protocol 3</pre>	<p>(Optional) Configures the IPv4 frame type filter for the SPAN session. To remove the filter from the session, enter the no form of the command. The optional keywords are as follows:</p> <ul style="list-style-type: none"> <li>• <b>src-ip</b>—Specifies a filter based on an IPv4 source IP address.</li> <li>• <b>dest-ip</b>—Specifies a filter based on an IPv4 destination IP address.</li> <li>• <b>tos</b>—Specifies a filter based on the type of service (TOS) in the IP header.</li> <li>• <b>l4-protocol</b>—Specifies a filter based on a Layer 4 protocol number set in the protocol field of the IP header.</li> </ul>
<b>Step 9</b>	<p>(Optional) <b>[no]filter frame-type ipv6</b> <b>[[src-ip src-ip] [dest-ip dest-ip] [tos tos-value] [l4-protocol l4-value]]</b></p> <p><b>Example:</b></p> <pre>switch(config-monitor)# filter frame-type ipv6 src-ip 10.0.0.1</pre>	<p>(Optional) Configures the IPv6 frame type filter for the SPAN session. To remove the filter from the session, enter the no form of the command. The optional keywords are as follows:</p> <ul style="list-style-type: none"> <li>• <b>src-ip</b>—Specifies a filter based on an IPv6 source IP address.</li> <li>• <b>dest-ip</b>—Specifies a filter based on an IPv4 destination IP address.</li> <li>• <b>tos</b>—Specifies a filter based on the type of service (TOS) in the IP header.</li> <li>• <b>l4-protocol</b>—Specifies a filter based on a Layer 4 protocol number set in the protocol field of the IP header.</li> </ul>
<b>Step 10</b>	(Optional) Repeat Steps 4 to 9 for all filters for the session.	
<b>Step 11</b>	<p><b>source {interface type   vlan {number   range}} [rx   tx   both]</b></p> <p><b>Example:</b></p> <pre>switch# configure terminal switch(config)#</pre>	<p>(Optional) Configures sources and the traffic direction in which to copy packets. You can enter a range of Ethernet ports, a port channel, an inband interface, a range of VLANs, a Cisco Nexus 2000 Series Fabric Extender interface, or a fabric port channel connected to a Cisco Nexus 2000 Series Fabric Extender can configure one or more sources, as either a</p>

	Command or Action	Purpose
		<p>series of comma-separated entries or a range of numbers.</p> <p>You can specify up to 128 interfaces. The VLAN range is from 1 to 3967. The VLAN range of 4048 to 4093 is also supported for Cisco NX-OS releases prior to 6.1.</p> <p>You can specify the traffic direction to copy as ingress (rx), egress (tx), or both. By default, the direction is both.</p> <p>For a unidirectional session, the direction of the source must match the direction specified in the session.</p>
<b>Step 12</b>	<p><b>destination interface</b> <i>type {number   range}</i></p> <p><b>Example:</b></p> <pre>switch(config-monitor)# destination interface ethernet 2/5, ethernet 3/7</pre>	<p>Configures destinations for copied source packets. You can configure one or more destinations as either a series of comma-separated entries or a range of numbers. You can specify up to 128 interfaces.</p> <p><b>Note</b> SPAN destination ports must be either access or trunk ports.</p> <p><b>Note</b> The Cisco Nexus 2000 Series Fabric Extender interfaces and the fabric port channels connected to the FEX cannot be configured as SPAN destinations.</p>
<b>Step 13</b>	<p><b>no shut</b></p> <p><b>Example:</b></p> <pre>switch(config-monitor)# no shut</pre>	<p>Enables the SPAN session. By default, the session is created in the shut state.</p>
<b>Step 14</b>	<p>(Optional) <b>show monitor session</b> {<b>all</b>   <i>session-number</i>   <b>range</b> <i>session-range</i>} [<b>brief</b>]</p> <p><b>Example:</b></p> <pre>switch(config-monitor)# show monitor session 3</pre>	<p>Displays the SPAN configuration.</p>
<b>Step 15</b>	<p>(Optional) <b>copy running-config startup-config</b></p> <p><b>Example:</b></p> <pre>switch(config)# copy running-config startup-config</pre>	<p>Copies the running configuration to the startup configuration.</p>

## Configuring Exception SPAN

You can configure the device to span exception packets.

### Before you begin

Ensure that you are in the correct VDC (or use the **switchto vdc** command).

### Procedure

	Command or Action	Purpose
<b>Step 1</b>	<b>configure terminal</b> <b>Example:</b> <pre>switch# configure terminal switch(config)#</pre>	Enters global configuration mode.
<b>Step 2</b>	<b>monitor session <i>session-number</i> [rx tx  both]</b> <b>Example:</b> <pre>switch(config)# monitor session 3 switch(config-monitor)#</pre>	Enters the monitor configuration mode and specifies the SPAN session. The optional keywords are as follows: <ul style="list-style-type: none"> <li>• <b>rx</b>—Specifies an ingress extended SPAN session.</li> <li>• <b>tx</b>—Specifies an egress extended SPAN session.</li> <li>• <b>shut</b>—Specifies a shut state for the selected session.</li> </ul>
<b>Step 3</b>	(Optional) <b>mode extended</b> <b>Example:</b> <pre>switch(config-monitor)# mode extended</pre>	(Optional) Configures the SPAN session as an extended bidirectional session form of the command.
<b>Step 4</b>	(Optional) <b>[source exception {layer3 fabricpath other   all}]</b> <b>Example:</b> <pre>switch(config-monitor)# filter frame-type eth</pre>	Configures the source as an exception SPAN session. These exception types are supported: <ul style="list-style-type: none"> <li>• <b>layer3</b>—Specifies the Layer 3 exception type.</li> <li>• <b>fabricpath</b>—Specifies the FabricPath exception type.</li> <li>• <b>other</b>—Specifies other exceptions that are dropped through redirect registers programmed with a drop destination interface.</li> <li>• <b>all</b>—Includes all Layer 3, FabricPath, and other exceptions.</li> </ul>
<b>Step 5</b>	<b>destination interface <i>type</i> [ <i>number</i>   <i>range</i> ]</b> <b>Example:</b>	Configures destinations for copied source packets. You can configure one or more

	Command or Action	Purpose
	<pre>switch(config-monitor)# destination interface ethernet 2/5, ethernet 3/7</pre>	<p>destinations as either a series of comma-separated entries or a range of numbers. You can specify up to 128 interfaces.</p> <p><b>Note</b> SPAN destination ports must be either access or trunk ports.</p> <p><b>Note</b> The Cisco Nexus 2000 Series Fabric Extender interfaces and the fabric port channels connected to the FEX cannot be configured as SPAN destinations.</p>
<b>Step 6</b>	<p><b>no shut</b></p> <p><b>Example:</b></p> <pre>switch(config)# no shut</pre>	Enables the SPAN session. By default, the session is created in the shut state.
<b>Step 7</b>	<p><b>show monitor session <i>session-number</i></b></p> <p><b>Example:</b></p> <pre>switch(config)# show monitor session 3</pre>	(Optional) Displays the status of SPAN sessions, including the configuration status of the rate limit, the percentage of the maximum SPAN rate allowed per session, and the modules on which the rate limit is and is not supported.
<b>Step 8</b>	<p>(Optional) <b>copy running-config startup-config</b></p> <p><b>Example:</b></p> <pre>switch(config)# copy running-config startup-config</pre>	Copies the running configuration to the startup configuration.

## Removing FabricPath and VNTAG Headers

If you are working with a device connected to a SPAN destination port that does not understand FabricPath or VNTAG headers, you may want those headers stripped from the packet.

You can do this at either the global or port level. If you want to strip the headers to all SPAN destination ports in the VDC, you can apply the global command. If you want to apply the command only to a certain port, you can use the port-level command. If the ports are not SPAN destination ports, the command is rejected.

When you enter both the global and port-level configurations for this feature, the port-level overrides the global configuration.



**Note** The port-level command overrides the global command. So you can configure the device to strip the headers globally and then issue the no form of the port-level command to exclude the specified ports from stripping the headers.

## Removing Headers Globally

### Before you begin

Ensure that you are in the correct VDC (or use the **switchto vdc** command).

### Procedure

	Command or Action	Purpose
<b>Step 1</b>	switch# <b>configure terminal</b>	Enters global configuration mode.
<b>Step 2</b>	switch(config)# <b>system default switchport monitor exclude header</b>	Removes the FabricPath and VNTAG headers for all SPAN destination ports in the VDC.  Use the <b>no</b> form of the command to preserve the headers on packets for SPAN destination ports.
<b>Step 3</b>	(Optional) switch(config)# <b>copy running-config startup-config</b>	Copies the running configuration to the startup configuration.

## Removing Headers per Port

### Before you begin

Ensure that you are in the correct VDC (or use the **switchto vdc** command).

### Procedure

	Command or Action	Purpose
<b>Step 1</b>	switch# <b>configure terminal</b>	Enters global configuration mode.
<b>Step 2</b>	switch(config)# <b>interface type {module   port}</b>	Enters the interface mode and specifies the port or ports from which you want to remove the FabricPath and VNTAG headers.
<b>Step 3</b>	(Optional) switch(config)# <b>[no]switchport monitor exclude header</b>	Removes the FabricPath and VNTAG headers for the specified SPAN destination ports in the VDC.  Use the <b>no</b> form of the command to preserve the headers on packets for SPAN destination ports.
<b>Step 4</b>	(Optional) switch(config)# <b>exit</b>	Returns to global configuration mode.
<b>Step 5</b>	(Optional) switch# <b>copy running-config startup-config</b>	Copies the running configuration to the startup configuration.



## Verifying the SPAN Configuration

To display the SPAN configuration, perform one of the following tasks:

Command	Purpose
<b>show monitor session</b> { <i>all</i>   <i>session-number</i>   <i>range session-range</i> } [ <i>brief</i> ]	Displays the SPAN session configuration.
<b>show resource monitor-session</b>	Displays the resources that are available for the traditional sessions.
<b>show resource monitor-session-extended</b>	Displays the resources that are available for the extended session.
<b>show running-config</b>	Displays configuration of the commands for removing the FabricPath and VNTAG headers for SPAN.

## Configuration Examples for SPAN

### Configuration Example for a SPAN Session

To configure a SPAN session, follow these steps:

#### Procedure

- Step 1** Configure destination ports in access mode and enable SPAN monitoring.

#### Example:

```
switch# configure terminal
switch(config)# interface ethernet 2/5
switch(config-if)# switchport
switch(config-if)# switchport monitor
switch(config-if)# no shut
switch(config-if)# exit
switch(config)#
```

- Step 2** Configure a SPAN session.

#### Example:

```
switch(config)# no monitor session 3
switch(config)# monitor session 3
switch(config-monitor)# source interface ethernet 2/1-3, ethernet 3/1 rx
switch(config-monitor)# source interface port-channel 2
switch(config-monitor)# source interface sup-eth 0 both
switch(config-monitor)# source vlan 3, 6-8 rx
switch(config-monitor)# source interface ethernet 101/1/1-3
switch(config-monitor)# filter vlan 3-5, 7
switch(config-monitor)# destination interface ethernet 2/5
switch(config-monitor)# no shut
```

```
switch(config-monitor)# exit
switch(config)# show monitor session 3
switch(config)# copy running-config startup-config
```

## Configuration Example to Monitor All VLANs and Ports in an Extended SPAN Monitor Session

### Example

This example shows how to monitor all VLANs and ports in an Extended SPAN monitor session:

```
switch# configure terminal
switch(config)# monitor session 3
switch(config-monitor)# mode extended
switch(config-monitor)# source interface all
switch(config-monitor)# destination interface ethernet 2/5
switch(config-monitor)# no shut
switch(config-monitor)# exit
switch(config)# show monitor session 3
switch(config)# copy running-config startup-config
```

This example shows how to monitor a higher number of specific VLAN sources than the VLAN source limits currently supported in the extended SPAN monitor session:

```
switch# configure terminal
switch(config)# monitor session 2
switch(config-monitor)# mode extended
switch(config-monitor)# source interface all
switch(config-monitor)# filter vlan 1-1000
switch(config-monitor)# destination interface ethernet 4/1
switch(config-monitor)# no shut
switch(config-monitor)# exit
switch(config)# show monitor session 2
switch(config)# copy running-config startup-config
```

## Configuration Example for a Unidirectional SPAN Session

To configure a unidirectional SPAN session, follow these steps:

### Procedure

**Step 1** Configure destination ports in access mode and enable SPAN monitoring.

#### Example:

```
switch# configure terminal
switch(config)# interface ethernet 2/5
switch(config-if)# switchport
switch(config-if)# switchport monitor
switch(config-if)# no shut
switch(config-if)# exit
```

```
switch(config)#
```

**Step 2** Configure a SPAN session.

**Example:**

```
switch(config)# no monitor session 3
switch(config)# monitor session 3 rx
switch(config-monitor)# source interface ethernet 2/1-3, ethernet 3/1 rx
switch(config-monitor)# filter vlan 3-5, 7
switch(config-monitor)# destination interface ethernet 2/5
switch(config-monitor)# no shut
switch(config-monitor)# exit
switch(config)# show monitor session 3
switch(config)# copy running-config startup-config
```

---

## Configuration Example for a Virtual SPAN Session

### Procedure

---

**Step 1** Configure destination ports in access or trunk mode, and enable SPAN monitoring.

**Example:**

```
switch# configure terminal
switch(config)# interface ethernet 3/1
switch(config-if)# switchport
switch(config-if)# switchport mode trunk
switch(config-if)# switchport trunk allowed vlan add 100-200
switch(config-if)# switchport monitor
switch(config-if)# no shut
switch(config-if)# exit
switch(config)# interface ethernet 3/2
switch(config-if)# switchport
switch(config-if)# switchport mode trunk
switch(config-if)# switchport trunk allowed vlan add 201-300
switch(config-if)# switchport monitor
switch(config-if)# no shut
switch(config-if)# exit
switch(config)#
```

**Step 2** Configure a SPAN session.

**Example:**

```
switch(config)# no monitor session 4
switch(config)# monitor session 4tx
switch(config-monitor)# source vlan 100-300
switch(config-monitor)# destination interface ethernet 3/1-2
switch(config-monitor)# no shut
switch(config-monitor)# exit
```

```
switch(config)# show monitor session 4
switch(config)# copy running-config startup-config
```

## Configuration Example for a SPAN Session with a Private VLAN Source

To configure a SPAN session that includes a private VLAN source, follow these steps:

### Procedure

**Step 1** Configure source VLANs.

#### Example:

```
switch# configure terminal
switch(config)# vlan 100
switch(config-vlan)# private-vlan primary
switch(config-vlan)# exit
switch(config)# interface ethernet 3/1
switch(config-if)# switchport
switch(config-if)# switchport access vlan 100
switch(config-if)# no shut
switch(config-if)# exit
switch(config)# interface ethernet 3/2
switch(config-if)# switchport
switch(config-if)# switchport mode trunk
switch(config-if)# switchport trunk native vlan 100
switch(config-if)# no shut
switch(config-if)# exit
switch(config)#
```

**Step 2** Configure destination ports in access or trunk mode, and enable SPAN monitoring.

#### Example:

```
switch# configure terminal
switch(config)# interface ethernet 3/3
switch(config-if)# switchport
switch(config-if)# switchport mode trunk
switch(config-if)# switchport trunk allowed vlan add 100-200
switch(config-if)# switchport monitor
switch(config-if)# switchport access vlan 100
switch(config-if)# no shut
switch(config-if)# exit
switch(config)#
```

**Step 3** Configure a SPAN session.

#### Example:

```
switch# no monitor session 3
switch(config)# monitor session 3
switch(config-if)# source vlan 100
switch(config-if)# destination interface ethernet 3/3
switch(config-if)# no shut
switch(config-if)# exit
```

```
switch(config-if)# show monitor session 3
switch(config-if)# copy running-config startup-config
```

---

## Configuration Example for SPAN with MTU Truncation and SPAN Sampling

### Example

This example shows how to configure MTU truncation and SPAN sampling for a SPAN session:

```
switch# configure terminal
switch(config)# monitor session 3
switch(config-monitor)# mtu 100
switch(config-monitor)# sampling 10
switch(config-monitor)# show monitor session 3
```

## Configuration Example for Rule-Based SPAN

### Example

This example shows how to configure a rule-based SPAN session:

```
switch# configure terminal
switch(config)# monitor session 3
switch(config-monitor)# mode extended
switch(config-monitor)# filter frame-type ipv4 src-ip 10.1.1.1/24
switch(config-monitor)# source interface ethernet 2/1-3, ethernet 3/1 rx
switch(config-monitor)# destination interface ethernet 2/5, ethernet 3/7
switch(config-monitor)# no shut
switch(config)# show monitor session 3
```

## Configuration Example for Exception SPAN

### Example

This example shows how to configure a SPAN session to span exception packets:

```
switch# configure terminal
switch(config)# monitor session 3
switch(config-monitor)# source exception all
switch(config-monitor)# destination interface ethernet 2/5, ethernet 3/7
switch(config-monitor)# no shut
switch(config)# show monitor session 3
```

## Related Documents

**Table 33: Related Documents**

Related Topic	Document Title
Cisco Network Analysis Module (NAM)	<i>Cisco Network Analysis Module (NAM) for Nexus 7000 Quick Start Guide</i>
VDCs	<i>Cisco Nexus 7000 Series NX-OS Virtual Device Context Configuration Guide</i>
Fabric Extender	<i>Cisco Nexus 2000 Series Fabric Extender Software Configuration Guide</i>
SPAN commands: complete command syntax, command modes, command history, defaults, usage guidelines, and examples	<i>Cisco Nexus 7000 Series NX-OS System Management Command Reference</i>

## Feature History for SPAN

The table below summarizes the new and changed features for this document and shows the releases in which each feature is supported. Your software release might not support all the features in this document. For the latest caveats and feature information, see the Bug Search Tool at <https://tools.cisco.com/bugsearch/> and the release notes for your software release.

**Table 34: Feature History for SPAN**

Feature Name	Releases	Feature Information
SPAN	7.3(0)DX(1)	Added support for M3 Series modules.
SPAN	7.3(0)D1(1)	Added support for 4K VLANs per SPAN Session.
SPAN	6.2(10)	Added support to remove FabricPath and VLAN tag headers from SPAN packets.
SPAN	6.2(2)	Added NAM support for SPAN data sources.
SPAN	6.2(2)	Added support for FEX ports as a SPAN source in the Tx direction only on F2e Series modules
SPAN	6.2(2)	Added support for extended SPAN.
SPAN	6.2(2)	Added support for rule-based SPAN.

SPAN	6.2(2)	Added support for exception SPAN.
SPAN	6.1(1)	Added support for SPAN sampling.
SPAN	6.1(1)	Allowed the inband interface to be added as a source from any VDC except the admin VDC.
SPAN	6.1(1)	Added support for Supervisor 2.
SPAN	6.1(1)	Added support for M2 Series modules.
SPAN	6.1(1)	Added FCoE SPAN support on F2 Series modules for storage VDCs.
SPAN	6.0(1)	Added support for F2 Series modules.
SPAN	5.2(1)	Added SPAN source support for Cisco Nexus 2000 Series Fabric Extender interfaces.
SPAN	5.2(1)	Added the ability to configure MTU truncation, the source rate limit, and the multicast best effort mode for each SPAN session.
SPAN	5.1(1)	Added support for F1 Series modules and increased the number of supported SPAN sessions from 18 to 48.
SPAN	4.1(3)	Added a table of SPAN session limits.







## CHAPTER 18

# Configuring ERSPAN

This chapter describes how to configure an encapsulated remote switched port analyzer (ERSPAN) to transport mirrored traffic in an IP network on Cisco NX-OS devices.

This chapter contains the following sections:

- [Finding Feature Information, on page 323](#)
- [About ERSPAN, on page 323](#)
- [Licensing Requirements for ERSPAN, on page 328](#)
- [Prerequisites for ERSPAN, on page 328](#)
- [Guidelines and Limitations for ERSPAN, on page 328](#)
- [Default Settings, on page 332](#)
- [Configuring ERSPAN, on page 333](#)
- [Verifying the ERSPAN Configuration, on page 350](#)
- [Configuration Examples for ERSPAN, on page 350](#)
- [Related Documents, on page 354](#)
- [Feature History for ERSPAN, on page 354](#)

## Finding Feature Information

Your software release might not support all the features documented in this module. For the latest caveats and feature information, see the Bug Search Tool at <https://tools.cisco.com/bugsearch/> and the release notes for your software release. To find information about the features documented in this module, and to see a list of the releases in which each feature is supported, see the "New and Changed Information" chapter or the Feature History table in this chapter.

## About ERSPAN

ERSPAN transports mirrored traffic over an IP network, which provides remote monitoring of multiple switches across your network. The traffic is encapsulated at the source router and is transferred across the network. The packet is decapsulated at the destination router and then sent to the destination interface.

## ERSPAN Types

Cisco NX-OS Release 6.1 and later releases support ERSPAN Type II and Type III. All previous Cisco NX-OS releases support only ERSPAN Type II.

ERSPAN Type III supports all of the ERSPAN Type II features and functionality and adds these enhancements:

- Provides timestamp information in the ERSPAN Type III header that can be used to calculate packet latency among edge, aggregate, and core switches.
- Identifies possible traffic sources using the ERSPAN Type III header fields.
- Provides the ability to configure timestamp granularity across all VDCs to determine how the clock manager synchronizes the ERSPAN timers.

## ERSPAN Sources

The interfaces from which traffic can be monitored are called ERSPAN sources. Sources designate the traffic to monitor and whether to copy ingress, egress, or both directions of traffic. ERSPAN sources include the following:

- Ethernet ports and port channels.
- The inband interface to the control plane CPU—You can monitor the inband interface only from the default virtual device context (VDC). Inband traffic from all VDCs is monitored.
- VLANs (ingress only)—When a VLAN is specified as an ERSPAN source, all supported interfaces in the VLAN are ERSPAN sources.
- Fabric port channels connected to the Cisco Nexus 2000 Series Fabric Extender (FEX).
- Satellite ports and host interface port channels on the Cisco Nexus 2000 Series Fabric Extender— These interfaces are supported in Layer 2 access mode, Layer 2 trunk mode, and Layer 3 mode.



---

**Note** Layer 3 subinterfaces are not supported.

---



---

**Note** A single ERSPAN session can include mixed sources in any combination of the above.

---

See the *Cisco Nexus 7000 Series NX-OS Verified Scalability Guide* for information on the number of supported ERSPAN sessions.

ERSPAN source ports have the following characteristics:

- A port configured as a source port cannot also be configured as a destination port.
- ERSPAN does not monitor any packets that are generated by Supervisor 1, regardless of their source. This limitation does not apply to Supervisor 2.

## ERSPAN Destinations

Destination ports receive the copied traffic from ERSPAN sources.

ERSPAN destination ports have the following characteristics:

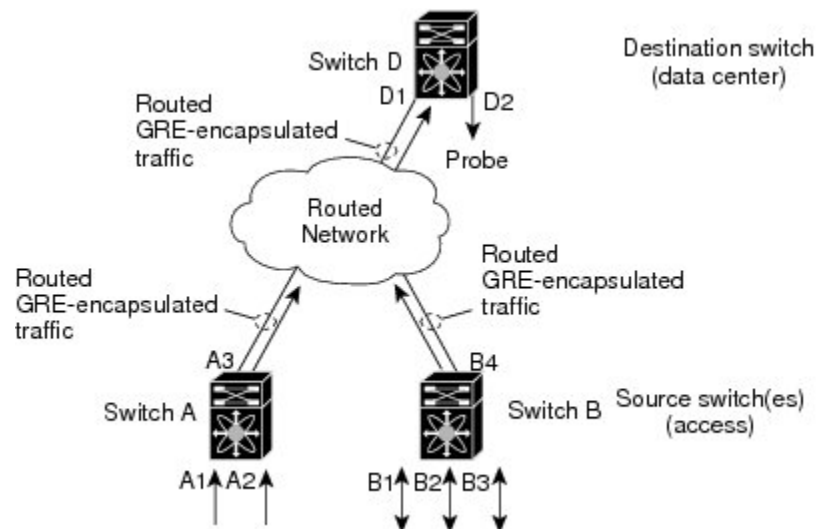
- Destinations for an ERSPAN session include Ethernet ports or port-channel interfaces in either access or trunk mode.
- A port configured as a destination port cannot also be configured as a source port.
- A destination port can be configured in only one ERSPAN session at a time.
- Destination ports do not participate in any spanning tree instance or any Layer 3 protocols.
- Ingress and ingress learning options are not supported on monitor destination ports.
- F Series module core ports, Fabric Extender host interface (HIF) ports, HIF port channels, and fabric port-channel ports are not supported as ERSPAN destination ports.

## ERSPAN Sessions

You can create ERSPAN sessions that designate sources and destinations to monitor.

The figure below shows an ERSPAN configuration.

**Figure 6: ERSPAN Configuration**



## Extended ERSPAN Session

Cisco NX-OS Release 6.2(2) and later releases support extended ERSPAN sessions in addition to the two traditional ERSPAN sessions in prior releases. Extended ERSPAN sessions can be bidirectional or unidirectional. The session direction is specified during session creation. A pool of 12 independent session resources are available. Unidirectional sessions use one resource, and bidirectional use two resources. These 12 resources are shared between local and ERSPAN source sessions across all VDCs.

If you are configuring an extended SPAN session on a Cisco Nexus 70xx or a Cisco Nexus 77xx switch, the following applies:

- You can configure 16 sessions as unidirectional or bidirectional, as required.
- You do not need to maintain two traditional sessions.
- You do not need to use the resource manager to reserve the two traditional sessions.
- ERSPAN ACL-based filtering is not supported.



---

**Note** On a Cisco Nexus 77xx switch, all sessions are extended by default and are not classified as Traditional sessions or Extended sessions. The **mode extended** command is not supported on Cisco Nexus 77xx switches.

---

## 4K VLANs per ERSPAN Session

Cisco NX-OS Release 7.3(0)D1(1) and later releases support 4K VLANs per ERSPAN session. You can use the **source interface all** command to enable the monitor session on the switch to monitor all VLANs and ports in the VDC such as physical ports, Port Channels, FEX ports and FEX Port Channels. The 4K VLANs per ERSPAN Session feature also enables monitoring of a higher number of specific VLAN sources than the VLAN source limits currently supported in the monitor session by using the **filter vlan** command with the **source interface all** command to filter the irrelevant VLANs.

The 4K VLANs per ERSPAN Session feature has the following characteristics:

- You can use the **source interface all** command for multiple sessions in the same VDC.
- Supports all session parameters such as MTU truncation, Sampling and Rate Limiting.
- Simple and Complex Rule-based SPAN is supported with the **source interface all** command. This enables traffic flow-based monitoring using a set of filter rules across the VDC.
- Traffic generated by Supervisors is not spanned.
- Supported only in Ethernet VDCs of Cisco Nexus 7000 Series switches.
- Supported only in extended SPAN sessions.

## Rule-Based ERSPAN

Rule-based ERSPAN filters the ingress or egress ERSPAN traffic based on a set of rules. For Cisco NX-OS releases prior to 6.2(2), you can filter on VLANs, the destination index, and the source index. Beginning with Cisco NX-OS Release 6.2(2), you can filter the ERSPAN traffic based on a combination of fields in the Layer 2, Layer 3, or Layer 4 header packet.

Every ERSPAN session (traditional and extended) has an associated filter. Every ERSPAN session has one filter resource. A simple filter has only one rule, and you can add multiple fields or conditions to this rule. The packets are spanned only if all conditions are met.

Ethernet	IPv4	IPv6	ARP/RARP	FCoE
Frame Type	Frame Type	Frame Type	Frame Type	Frame Type
VLAN	VLAN	VLAN	VLAN	VLAN
TR	TR	TR	TR	TR
BPDU	BPDU	BPDU	BPDU	BPDU
Port Channel	Port Channel	Port Channel	Port Channel	Port Channel
Lane	Lane	Lane	Lane	Lane
Flow Hash	Flow Hash	Flow Hash	Flow Hash	Flow Hash
L2 MAC DA	L2 MAC DA	L2 MAC DA	L2 MAC DA	L2 MAC DA
L2 MAC SA	L2 MAC SA	L2 MAC SA	L2 MAC SA	L2 MAC SA
EtherType	EtherType	EtherType	EtherType	EtherType
CoS/VL	CoS/VL	CoS/VL	CoS/VL	CoS/VL
	ToS	ToS	ARP	FCD_ID
	L4 Protocol	L4 Protocol	Request	FCS_ID
	IPv4 SA	IPv6 SA	Sender IP	SOF
	IPv4 DA	IPv6 DA	Target IP	R_CTL
				TYPE
				Cmd_Code
				Sec_Hdr Exists

## Exception ERSPAN

Exception ERSPAN enables you to span exception packets. Packets that have failed an intrusion detection system (IDS), Layer 3 IP verification, and FabricPath are treated as exception packets.

The exception ERSPAN session is supported in either one of the two traditional ERSPAN sessions or in one of the extended ERSPAN sessions. Rate limiters, MTU truncation, and sampling are supported in the exception ERSPAN session. Only the exception packets sent to the drop destination interface are supported as an ERSPAN source. Exception packets that are pushed to the supervisor, the ACLQoS, or Layer 2 are not spanned. Each VDC supports one exception ERSPAN session.

Exception ERSPAN is supported in the egress direction only. In the case of an extended ERSPAN Rx session, the exception source configuration will be rejected.

## Network Analysis Module

You can also use the Cisco Network Analysis Module (NAM) to monitor ERSPAN data sources for application performance, traffic analysis, and packet header analysis.

To use NAM for monitoring the Cisco Nexus 7000 ERSPAN data sources, see the *Cisco Nexus 7000 Series Network Analysis Module (NAM-NX1) Quick Start Guide*.

## High Availability

The ERSPAN feature supports stateless and stateful restarts. After a reboot or supervisor switchover, the running configuration is applied.

For more information on high availability, see the *Cisco Nexus 7000 Series NX-OS High Availability and Redundancy Guide*.

## Virtualization Support

A virtual device context (VDC) is a logical representation of a set of system resources. ERSPAN applies only to the VDC where the commands are entered.



**Note** You can monitor the inband interface only from the default VDC. Inband traffic from all VDCs is monitored.

For information about configuring VDCs, see the *Cisco Nexus 7000 Series NX-OS Virtual Device Context Configuration Guide*.

## Licensing Requirements for ERSPAN

The following table shows the licensing requirements for this feature:

Product	License Requirement
Cisco NX-OS	ERSPAN requires no license. Any feature not included in a license package is bundled with the nx-os image and is provided at no extra charge to you. For a complete explanation of the Cisco NX-OS licensing scheme, see the <i>Cisco NX-OS Licensing Guide</i> .

## Prerequisites for ERSPAN

ERSPAN has the following prerequisites:

- You must first configure the ports on each device to support the desired ERSPAN configuration. For more information, see the *Cisco Nexus 7000 Series NX-OS Interfaces Configuration Guide*.

## Guidelines and Limitations for ERSPAN

ERSPAN has the following configuration guidelines and limitations:

- For ERSPAN session limits, see the *Cisco Nexus 7000 Series NX-OS Verified Scalability Guide*.
- All ERSPAN replication is performed in the hardware. The supervisor CPU is not involved.

- Control plane traffic generated by Supervisor 2 can be ERSPAN encapsulated but cannot be filtered by an ERSPAN ACL.
- Control plane packets generated by Supervisor 1 cannot be ERSPAN encapsulated or filtered by an ERSPAN ACL.
- When you configure ERSPAN source on a Cisco Nexus 7000 Series switch that acts as a MPLS PE and the destination of the ERSPAN session is remote across the MPLS network, the ERSPAN packet will be transmitted as a regular IP packet and does not include the MPLS label. It causes the packet being dropped at the remote PE.
- ERSPAN and ERSPAN ACLs are not supported on F1 Series modules. For the VDCs that have F1 Series modules only, you can configure ERSPAN source and destination sessions and ERSPAN ACL source sessions but never come up.
- ERSPAN source sessions are supported on F2 Series and F2e (enhanced) Series modules. Beginning with Cisco NX-OS Release 6.2(2), ERSPAN destination sessions are also supported on these modules. However, ERSPAN ACL sessions are not supported on F2 Series and F2e Series modules.
- ERSPAN source, destination, and ACL sessions are supported on M Series modules.
- The decapsulation of generic routing encapsulation (GRE) or ERSPAN packets received on an F1 Series module is not supported.
- ERSPAN and ERSPAN ACL sessions are terminated identically at the destination router.
- ERSPAN is not supported for management ports.
- ERSPAN does not support packet fragmentation. The "do not fragment" bit is set in the IP header of ERSPAN packets.
- A destination port can be configured in only one ERSPAN session at a time.
- You cannot configure a port as both a source and destination port.
- A single ERSPAN session can include mixed sources in any combination of the following:
  - Ethernet ports or port channels but not subinterfaces
  - VLANs (ingress only)
  - The inband interface or port channels to the control plane CPU



---

**Note** ERSPAN does not monitor any packets that are generated by the supervisor, regardless of their source.

---

- Destination ports do not participate in any spanning tree instance or Layer 3 protocols.
- When an ERSPAN session contains source ports or VLAN sources that are monitored in the transmit or transmit and receive direction, packets that these ports receive might be replicated to the ERSPAN destination port even though the packets are not actually transmitted on the source ports. Some examples of this behavior on source ports are as follows:
  - Traffic that results from flooding
  - Broadcast and multicast traffic

- You can enable ERSPAN for a source port before it becomes operationally active. For Layer 2 ports, traffic flooded to the VLANs that contain these ports are captured even when the link is not connected for the ports.
- For VLAN ERSPAN sessions with both ingress and egress configured, two packets (one from ingress and one from egress) are forwarded from the destination port if the packets get switched on the same VLAN.
- You can monitor the inband interface only from the default VDC. Inband traffic from all VDCs is monitored.
- A FabricPath core port is not supported as an ERSPAN destination when an F2 Series or F2e Series module is present in a VDC. However, a FabricPath core port can be configured as an ERSPAN source interface.
- When using ERSPAN sessions on F2 Series or F2e Series modules, ensure that the total amount of source traffic in a given session is less than or equal to the capacity of the ERSPAN destination interface or port channel for that session. If the ERSPAN source traffic exceeds the capacity of the ERSPAN destination, packet drops might occur on the ERSPAN source interfaces.
- Beginning with Cisco NX-OS Release 5.2, you can configure the Cisco Nexus 2000 Series Fabric Extender (FEX) interfaces and the fabric port channels connected to the Cisco Nexus 2000 Series Fabric Extender as ERSPAN sources. However, you cannot configure them as ERSPAN destinations.




---

**Note** ERSPAN on Fabric Extender interfaces and fabric port channels is supported on the M1 Series and M2 Series modules. ERSPAN runs on the Cisco Nexus 7000 Series device, not on the Fabric Extender. F2 Series and F2e Series modules support FEX, but they do not support FEX ERSPAN. Therefore, the FEX interfaces that are connected through the F2 Series and F2e Series modules cannot be made ERSPAN sources.

---

- You can span Fabric port channels on F2 Series and F2e Series modules.
- VLANs that contain FEX interfaces can be an ERSPAN source, but the ingress traffic through the F2 Series or F2e Series module-based FEX ports cannot be captured.
- Layer 3 multicast egress packets cannot be spanned on F2 Series or F2e Series modules.
- ERSPAN is supported on Fabric Extender interfaces in Layer 2 access mode, Layer 2 trunk mode, and Layer 3 mode. Layer 3 subinterfaces are not supported.
- For ERSPAN sessions, the recommended MTU size is 144 bytes or greater because MTU truncation occurs after the packets are encapsulated.
- The rate limit percentage of an ERSPAN session is based on 10G, 40G, and 100G for the respective modules (that is, 1 percent corresponds to 0.1G, 0.4G, or 1G respectively), and the value is applied per every forwarding engine instance.
- MTU truncation and the ERSPAN source rate limit are supported only on F2 Series, F2e Series, and M2 Series modules and Supervisor 2. They are not supported on M1 Series modules.
- For F2 Series and F2e Series modules, spanned FabricPath (core) packets have a 16-byte core header at the ERSPAN destination, and ingress FEX packets spanned through the fabric port channel have a 6-byte



Vntag header at the ERSPAN destination. In addition, when trunk ports are used as the ERSPAN destination, the spanned packets have a 4-byte VLAN tag.

- For F2 Series and F2e Series modules, egress ERSPAN packets of all traffic that ingresses on Layer 2 ports (including edge-to-edge traffic) have a 16-byte MAC-in-MAC header at the ERSPAN destination.
- While setting IP TTL in the ERSPAN header,
  - In M-series LC, after ERSPAN encapsulation / de-capsulation, the packets are sent to EARL for recirculating and hence, the TTL is decremented by EARL.
  - In F2/F2e, there are no overheads of recirculating and hence, there is digression from the actual behavior of TTL decrements.
  - F1 series does not support ERSPAN.
- For MTU truncation on M2 Series modules, the truncated length of ERSPAN packets is rounded down to the nearest multiplier of 16 bytes. For example, with an MTU configuration value of 65 to 79, packets are truncated to 64 bytes.
- For certain rate limit and packet size values on F2 Series modules, F2e Series modules, M2 Series modules, and Supervisor 2, the ERSPAN packet rate is less than the configured value because of the internal accounting of packet sizes and internal headers.
- ERSPAN sampling is supported only on F2 Series and F2e Series modules. It is not supported on M Series modules.
- Multicast best effort mode applies only to M1 Series modules.
- Beginning with Cisco NX-OS Release 6.1, ERSPAN source sessions are supported on Supervisor 2, but ERSPAN ACL sessions are not.
- ERSPAN Type III source is supported only on F2 Series, F2e Series, and M2 Series modules.
- ERSPAN Type III termination is supported only on M2 Series modules. That is, Type III ERSPAN packets are decapsulated only when they reach their destination through M2 Series modules.
- Beginning with Cisco NX-OS Release 6.2(2), ERSPAN packets ingressing the destination switch on F2 Series or F2e Series modules can be terminated. IPv4 termination is supported but not IPv6 termination. F2 Series module termination on VDC virtual routing and forwarding (VRF) instances is not supported.
- Supervisor 2 supports ERSPAN Type II and ERSPAN Type III for inband ports, but timestamps are not synchronized with the Precision Time Protocol (PTP) master timers.
- 1588 granularity mode is not supported in Cisco NX-OS Release 6.1 and is rejected if selected.
- M2 Series modules support 100 microseconds (ms), 100 nanoseconds (ns), and ns granularity. F2 Series and F2e Series modules support only 100 ms and 100 ns granularity.
- When ERSPAN traffic is terminated on M2 Series modules, drops can occur at higher rates because all ERSPAN traffic for one session converges into one forwarding instance.
- If the global granularity configuration is not supported for a particular module, that module reverts to 100-ms granularity. For example, if granularity is set to ns, all M2 Series modules will enable ns granularities, and all F2 Series and F2e Series modules will internally enable and send packets with the 100-ms timestamp. Use the **show monitor session** command to display the supported and unsupported granularities for each module.

- F2 Series and F2e Series modules do not use the access control list (ACL) complex for ERSPAN Type III ACLs, so an ACL filter cannot be applied to F2 Series and F2e Series module traffic. However, for M2 Series modules, it is possible to encapsulate the packets using the Type III header after applying an ACL.
- F2 Series and F2e Series modules support a 32-bit timestamp in the ERSPAN Type III header while M2 Series modules support a 64-bit timestamp.
- If you enable ERSPAN on a vPC and ERSPAN packets need to be routed to the destination through the vPC, packets that come through the vPC peer-link cannot be captured.
- Extended ERSPAN sessions cannot source incoming traffic on M1 Series modules in either the ingress or egress direction.
- Traditional SPAN sessions support traffic from F Series and M Series modules. Extended SPAN sessions support traffic only from F Series and M2 Series modules.
- Hardware session 15 is used by NetFlow on F2 and F2e Series modules. Any extended session using this hardware ID will not span incoming traffic on the F2 and the F2e ports.
- Only eight sessions can support rate limiting on M2 Series modules. Any additional hardware sessions will not apply the configured rate limiter on M2 Series modules.
- M1 Series modules and Supervisor 1 do not support rule-based ERSPAN. They support only VLAN filtering.
- M1 and M2 Series modules support exception ERSPAN only in the nonadministration VDC, and at least one interface of the module must be present for the VDC.
- F1 Series modules have limited support for rule-based ERSPAN. They do not support the IPv6 source IP filter and the IPv6 destination IP filter. They support only IPv4 and IPv6 ToS filters with values from 0 to 3. Port-channel member lane, FCoE source ID, and FCoE destination ID are not supported.
- F2 and F2e Series modules have limited support for rule-based ERSPAN. They do not support wildcards in the IPv6 source IP filter and IPv6 destination IP filter, and they do not support egress ERSPAN filtering for destination MAC addresses and source MAC addresses.
- ERSPAN ACLs are not supported for use with OTV.
- ERSPAN source sessions are supported on F3 Series modules. Beginning with Cisco NX-OS Release 7.2, ERSPAN destination sessions are also supported on these modules. However, ERSPAN ACL sessions are not supported on F3 Series modules.
- The ERSPAN termination takes place at the ingress point of entry of the destination switch (and not the final destination), so the ingress module at the destination switch must support ERSPAN termination. Beginning with Cisco NX-OS release 7.2(0)D1(1), ERSPAN Termination is supported on F3 linecards.
- Beginning with Cisco NX-OS Release 7.3(0)DX(1), ERSPAN source and destination sessions are supported on M3 Series modules.

## Default Settings

The following table lists the default settings for ERSPAN parameters.

Table 35: Default ERSPAN Parameters

Parameters	Default
ERSPAN sampling	Disabled
ERSPAN sessions	Created in the shut state
ERSPAN source rate limit for traditional ERSPAN sessions	Disabled
ERSPAN source rate limit for extended ERSPAN sessions	Enabled
Global granularity of ERSPAN Type III sessions	100 microseconds
MTU truncation	Disabled
Multicast best effort mode	Disabled

## Configuring ERSPAN



**Note** Be aware that the Cisco NX-OS commands for this feature may differ from those commands used in Cisco IOS.

### Configuring an ERSPAN Source Session

You can configure an ERSPAN session on the local device only. By default, ERSPAN sessions are created in the shut state.

For sources, you can specify Ethernet ports, port channels, the supervisor inband interface, and VLANs (ingress only). A single ERSPAN session can include mixed sources in any combination of Ethernet ports, VLANs, or the inband interface to the control plane CPU.

For traditional sessions, you can configure the sessions without specifying the direction of the traffic.



**Note** ERSPAN does not monitor any packets that are generated by the supervisor, regardless of their source.

#### Procedure

	Command or Action	Purpose
<b>Step 1</b>	switch# <b>configure terminal</b>	Enters global configuration mode.
<b>Step 2</b>	switch(config)# <b>monitor erspan origin ip-address ip-address global</b>	Configures the ERSPAN global origin IP address.

	Command or Action	Purpose
<b>Step 3</b>	switch(config)# <b>no monitor session</b> { <i>session-number</i>   <b>all</b> }	Clears the configuration of the specified ERSPAN session. The new session configuration is added to the existing session configuration.
<b>Step 4</b>	switch(config)# <b>monitor session</b> { <i>session-number</i>   <b>all</b> } <b>type erspan-source</b> [ <b>shut</b> ]	Configures an ERSPAN Type II source session. By default the session is bidirectional. The optional keyword shut specifies a shut state for the selected session.
<b>Step 5</b>	switch(config-erspan-src)# <b>description</b> <i>description</i>	Configures a description for the session. By default, no description is defined. The description can be up to 32 alphanumeric characters.
<b>Step 6</b>	switch(config-erspan-src)# <b>source</b> {[ <b>interface</b> [ <b>all</b> ] [ <i>type slot/port[-port]</i> ], [ <i>type slot/port[-port]</i> ]} [ <b>port-channel</b> <i>channel-number</i> ] [ <b>vlan</b> { <i>number</i>   <i>range</i> }] [ <b>rx</b>   <b>tx</b>   <b>both</b> ]	<p>Configures the sources and traffic direction in which to copy packets. You can enter a range of Ethernet ports, a port channel, an inband interface, or a range of VLANs.</p> <p>You can configure one or more sources, as either a series of comma-separated entries or a range of numbers.</p> <p>You can specify the traffic direction to copy as ingress, egress, or both. The default direction is both.</p> <p><b>Note</b> Source VLANs are supported only in the ingress (rx) direction.</p> <p>For a unidirectional session, the direction of the source must match the direction specified in the session.</p> <p>Beginning with Cisco NX-OS Release 7.3(0)D1(1), you can use the <b>all</b> keyword to enable the monitor session to monitor all VLANs and ports in the VDC such as physical ports, Port Channels, FEX ports and FEX Port Channels. The <b>all</b> keyword is supported only in extended ERSPAN sessions.</p>
<b>Step 7</b>	(Optional) Repeat Step 6 to configure all ERSPAN sources.	—
<b>Step 8</b>	(Optional) switch(config-erspan-src)# <b>filter vlan</b> { <i>number</i>   <i>range</i> }	Configures which VLANs to select from the configured sources. You can configure one or more VLANs, as either a series of comma-separated entries or a range of numbers. For information on the VLAN range, see the <i>Cisco Nexus 7000 Series NX-OS Layer 2 Switching Configuration Guide</i> .

	Command or Action	Purpose
		You can enable monitoring of a higher number of specific VLAN sources than the VLAN source limits currently supported in extended ERSPAN monitor session by using the <b>filter vlan</b> command with the <b>source interface all</b> command to filter the irrelevant VLANs.
<b>Step 9</b>	(Optional) Repeat Step 8 to configure all source VLANs to filter.	—
<b>Step 10</b>	(Optional) switch(config-erspan-src)# <b>filter access-group</b> <i>acl-filter</i>	Associates an ACL with the ERSPAN session.  <b>Note</b> You can create an ACL using the standard ACL configuration process. For more information, see the <i>Cisco Nexus 7000 Series NX-OS Security Configuration Guide</i> .
<b>Step 11</b>	switch(config-erspan-src)# <b>destination ip</b> <i>ip-address</i>	Configures the destination IP address in the ERSPAN session. Only one destination IP address is supported per ERSPAN source session.
<b>Step 12</b>	switch(config-erspan-src)# <b>erspan-id</b> <i>erspan-id</i>	Configures the ERSPAN ID for the ERSPAN source session. The ERSPAN range is from 1 to 1023.
<b>Step 13</b>	switch(config-erspan-src)# <b>vrf</b> <i>vrf-name</i>	Configures the virtual routing and forwarding (VRF) instance that the ERSPAN source session uses for traffic forwarding. The VRF name can be any case-sensitive, alphanumeric string up to 32 characters.
<b>Step 14</b>	(Optional) switch(config-erspan-src)# <b>ip ttl</b> <i>tll-number</i>	Configures the IP time-to-live (TTL) value for the ERSPAN traffic. The range is from 1 to 255.
<b>Step 15</b>	(Optional) switch(config-erspan-src)# <b>ip dscp</b> <i>dscp-number</i>	Configures the differentiated services code point (DSCP) value of the packets in the ERSPAN traffic. The range is from 0 to 63.
<b>Step 16</b>	switch(config-erspan-src)# <b>no shut</b>	Enables the ERSPAN source session. By default, the session is created in the shut state.
<b>Step 17</b>	switch(config-erspan-src)# <b>exit</b>	Exits the monitor configuration mode.
<b>Step 18</b>	(Optional) switch(config)# <b>show monitor session</b> { <b>all</b>   <i>session-number</i>   <b>range</b> <i>session-range</i> } [ <b>brief</b> ]	Displays the ERSPAN session configuration.
<b>Step 19</b>	(Optional) switch(config)# <b>show running-config monitor</b>	Displays the running ERSPAN configuration.

	Command or Action	Purpose
<b>Step 20</b>	(Optional) switch(config)# <b>show startup-config monitor</b>	Displays the ERSPAN startup configuration.
<b>Step 21</b>	(Optional) switch(config)# <b>copy running-config startup-config</b>	Copies the running configuration to the startup configuration.

## Configuring an ERSPAN Destination Session

You can configure an ERSPAN destination session to copy packets from a source IP address to destination ports on the local device. By default, ERSPAN destination sessions are created in the shut state.

### Before you begin

Ensure that you are in the correct VDC (or use the **switchto vdc** command).

Ensure that you have already configured the destination ports in monitor mode. For more information, see the *Cisco Nexus 7000 Series NX-OS Interfaces Configuration Guide*.

### Procedure

	Command or Action	Purpose
<b>Step 1</b>	switch# <b>configure terminal</b>	Enters global configuration mode.
<b>Step 2</b>	switch(config)# <b>interface ethernet slot/port[-port]</b>	Enters interface configuration mode on the selected slot and port or range of ports.
<b>Step 3</b>	switch(config-if)# <b>switchport</b>	Configures switchport parameters for the selected slot and port or range of ports.
<b>Step 4</b>	switch(config-if)# <b>switchport mode [access   trunk]</b>	Configures the following switchport modes for the selected slot and port or range of ports: <ul style="list-style-type: none"> <li>• access</li> <li>• trunk</li> </ul>
<b>Step 5</b>	switch(config-if)# <b>switchport monitor</b>	Configures the switchport interface as an ERSPAN destination.
<b>Step 6</b>	(Optional) Repeat Steps 2 to 5 to configure monitoring on additional ERSPAN destinations.	—
<b>Step 7</b>	switch(config-if)# <b>no monitor session {session-number   all}</b>	Clears the configuration of the specified ERSPAN session. The new session configuration is added to the existing session configuration.
<b>Step 8</b>	switch(config-if)# <b>monitor session {session-number   all} type erspan-destination</b>	Configures an ERSPAN destination session.

	Command or Action	Purpose
<b>Step 9</b>	switch(config-erspan-dst)# <b>description</b> <i>description</i>	Configures a description for the session. By default, no description is defined. The description can be up to 32 alphanumeric characters.
<b>Step 10</b>	switch(config-erspan-dst)# <b>source ip</b> <i>ip-address</i>	Configures the source IP address in the ERSPAN session. Only one source IP address is supported per ERSPAN destination session.  <b>Note</b> The source IP address must be the IP address on the local device that is configured as the destination IP address on the ERSPAN source. This is the interface on the local device where the Cisco Nexus 7000 device expects to receive packets for decapsulation.
<b>Step 11</b>	switch(config-erspan-dst)# <b>destination</b> { <b>[interface</b> [ <i>type slot/port[-port]</i> ], <i>type slot/port[-port]</i> ]   <b>[port-channel channel-number]</b> }	Configures a destination for copied source packets. You can configure one or more interfaces as a series of comma-separated entries.  <b>Note</b> You can configure destination ports as trunk ports. For more information, see the <i>Cisco Nexus 7000 Series NX-OS Interfaces Configuration Guide</i> .
<b>Step 12</b>	(Optional) Repeat Step 11 to configure all ERSPAN destination ports.	—
<b>Step 13</b>	switch(config-erspan-dst)# <b>erspan-id</b> <i>erspan-id</i>	Configures the ERSPAN ID for the ERSPAN session. The range is from 1 to 1023.
<b>Step 14</b>	switch(config-erspan-dst)# <b>vrf</b> <i>vrf-name</i>	Configures the VRF that the ERSPAN destination session uses for traffic forwarding.
<b>Step 15</b>	switch(config-erspan-dst)# <b>no shut</b>	Enables the ERSPAN destination session. By default, the session is created in the shut state.
<b>Step 16</b>	switch(config-erspan-dst)# <b>exit</b>	Exits monitor configuration mode.
<b>Step 17</b>	switch(config)# <b>exit</b>	Exits global configuration mode.
<b>Step 18</b>	(Optional) switch# <b>show monitor session</b> { <b>all</b>   <i>session-number</i>   <b>range session-range</b> } <b>[brief]</b>	Displays the ERSPAN session configuration.
<b>Step 19</b>	(Optional) switch# <b>show running-config monitor</b>	Displays the running ERSPAN configuration.

	Command or Action	Purpose
<b>Step 20</b>	(Optional) switch# <b>show startup-config monitor</b>	Displays the ERSPAN startup configuration.
<b>Step 21</b>	(Optional) switch# <b>copy running-config startup-config [vdc-all]</b>	Copies the running configuration to the startup configuration.

## Shutting Down or Activating an ERSPAN Session

You can shut down ERSPAN sessions to discontinue the copying of packets from sources to destinations. You can shut down one session in order to free hardware resources to enable another session. By default, ERSPAN sessions are created in the shut state.

You can enable ERSPAN sessions to activate the copying of packets from sources to destinations. To enable an ERSPAN session that is already enabled but operationally down, you must first shut it down and then enable it. You can shut down and enable the ERSPAN session states with either a global or monitor configuration mode command.

### Procedure

	Command or Action	Purpose
<b>Step 1</b>	switch# <b>configure terminal</b>	Enters global configuration mode.
<b>Step 2</b>	switch(config)# <b>monitor session {session-range   all} shut</b>	Shuts down the specified ERSPAN sessions. By default, sessions are created in the shut state.
<b>Step 3</b>	switch(config)# <b>no monitor session {session-range   all} shut</b>	Resumes (enables) the specified ERSPAN sessions. By default, sessions are created in the shut state.  If a monitor session is enabled but its operational status is down, then to enable the session, you must first specify the <b>monitor session shut</b> command followed by the <b>no monitor session shut</b> command.
<b>Step 4</b>	switch(config)# <b>monitor session session-number type erspan-source</b>	Enters the monitor configuration mode for the ERSPAN source type. The new session configuration is added to the existing session configuration.
<b>Step 5</b>	switch(config-erspan-src)# <b>monitor session session-number type erspan-destination</b>	Enters the monitor configuration mode for the ERSPAN destination type.
<b>Step 6</b>	switch(config-erspan-src)# <b>shut</b>	Shuts down the ERSPAN session. By default, the session is created in the shut state.
<b>Step 7</b>	switch(config-erspan-src)# <b>no shut</b>	Enables the ERSPAN session. By default, the session is created in the shut state.
<b>Step 8</b>	switch(config-erspan-src)# <b>exit</b>	Exits the monitor configuration mode.



	Command or Action	Purpose
<b>Step 9</b>	(Optional) switch(config)# <b>show monitor session all</b>	Displays the status of ERSPAN sessions.
<b>Step 10</b>	(Optional) switch(config)# <b>show running-config monitor</b>	Displays the ERSPAN running configuration.
<b>Step 11</b>	(Optional) switch(config)# <b>show startup-config monitor</b>	Displays the ERSPAN startup configuration.
<b>Step 12</b>	(Optional) switch(config)# <b>copy running-config startup-config</b>	Copies the running configuration to the startup configuration.

## Configuring MTU Truncation for Each ERSPAN Session

Beginning with Cisco NX-OS Release 6.1, in order to reduce the ERSPAN traffic bandwidth, you can configure the maximum bytes allowed for each replicated packet in an ERSPAN session. This value is called the maximum transmission unit (MTU) truncation size. Any ERSPAN packet larger than the configured size is truncated to the configured size.



**Note** MTU truncation and ERSPAN sampling can be enabled at the same time and have no precedence over each other because they are applied to different aspects of the source packet (size versus packet count).



**Note** Do not enable MTU truncation if the destination ERSPAN router is a Cisco Catalyst 6000 Series switch because the Cisco Catalyst 6000 Series switch drops these truncated packets.

### Before you begin

Ensure that you are in the correct VDC (or use the **switchto vdc** command).

### Procedure

	Command or Action	Purpose
<b>Step 1</b>	switch# <b>configure terminal</b>	Enters global configuration mode.
<b>Step 2</b>	switch(config)# <b>monitor session session-number type erspan-source</b>	Enters the monitor configuration mode for the ERSPAN source type and specifies the ERSPAN session for which the MTU truncation size is to be configured.
<b>Step 3</b>	(Optional) switch(config-erspan-src)# <b>header-type version</b>	Changes the ERSPAN source session from Type II to Type III.
<b>Step 4</b>	switch(config-erspan-src)# <b>[no] mtu mtu</b>	Configures the MTU truncation size for packets in the specified ERSPAN session. The range is from 176 to 1500 bytes.

	Command or Action	Purpose
<b>Step 5</b>	switch(config-erspan-src)# <b>exit</b>	Exits monitor configuration mode.
<b>Step 6</b>	switch(config)# <b>exit</b>	Exits global configuration mode.
<b>Step 7</b>	(Optional) switch# <b>show monitor session</b> <i>session-number</i>	Displays the status of ERSPAN sessions, including the configuration status of MTU truncation, the maximum bytes allowed for each packet per session, and the modules on which MTU truncation is and is not supported.
<b>Step 8</b>	(Optional) switch# <b>copy running-config startup-config</b> [vdc-all]	Copies the running configuration to the startup configuration.

## Configuring a Source Rate Limit for Each ERSPAN Session

When an ERSPAN session is configured with multiple interfaces as the sources in a high-traffic environment, the destination port can be overloaded, causing the normal data traffic to be disrupted at the source port. Beginning with Cisco NX-OS Release 6.1, you can alleviate this problem as well as traffic overload on the source forwarding instance by configuring a source rate limit for each ERSPAN session.



**Note** ERSPAN sampling takes precedence over ERSPAN source rate limiting. Rate limiting takes effect after sampling is completed on ERSPAN source packets.

### Procedure

	Command or Action	Purpose
<b>Step 1</b>	switch# <b>configure terminal</b>	Enters global configuration mode.
<b>Step 2</b>	switch(config)# <b>monitor session</b> <i>session-number type erspan-source</i>	Enters the monitor configuration mode for the ERSPAN source type and specifies the ERSPAN session for which the source rate limit is to be configured.
<b>Step 3</b>	(Optional) switch(config-erspan-src)# <b>header-type</b> <i>version</i>	Changes the ERSPAN source session from Type II to Type III.
<b>Step 4</b>	switch(config-erspan-src)# [no] <b>rate-limit</b> { <b>auto</b>   <i>rate-limit</i> }	Configures the source rate limit for ERSPAN packets in the specified ERSPAN session in automatic or manual mode: <ul style="list-style-type: none"> <li>• Auto mode—Automatically calculates the rate limit on a per-gigabyte basis as follows: destination bandwidth / aggregate source bandwidth. For example, if the rate limit per gigabyte is 0.5, for every 1G of source traffic, only 0.5G of packets are spanned.</li> </ul>

	Command or Action	Purpose
		<p>For ingress traffic, the per-gigabyte limit is applied to each forwarding engine of the F2 Series or F2e Series module based on how many ports are used as the ERSPAN source so that the source can be spanned at the maximum available bandwidth. For egress traffic, the per-gigabyte limit is applied to each forwarding engine of the F2 Series or F2e Series module without considering how many ports are used as the ERSPAN source.</p> <ul style="list-style-type: none"> <li>• Manual mode—Specifies the percentage of the maximum rate of ERSPAN packets that can be sent out from each forwarding engine on a module. The range is from 1 to 100. For example, if the rate limit is 10 percent, the maximum rate of ERSPAN packets that can be sent out from each of the forwarding engines on an F2 Series or F2e Series module is 1G (or 10 percent of the 10G line rate).</li> </ul>
<b>Step 5</b>	switch(config-erspan-src)# <b>exit</b>	Exits monitor configuration mode.
<b>Step 6</b>	switch(config)# <b>exit</b>	Exits global configuration mode.
<b>Step 7</b>	(Optional) switch# <b>show monitor session session-number</b>	Displays the status of ERSPAN sessions, including the configuration status of the rate limit, the percentage of the maximum ERSPAN rate allowed per session, and the modules on which the rate limit is and is not supported.
<b>Step 8</b>	(Optional) switch# <b>copy running-config startup-config [vdc-all]</b>	Copies the running configuration to the startup configuration.

## Configuring Sampling for Each ERSPAN Session

Beginning with Cisco NX-OS Release 6.1, you can configure a sampling range for spanned traffic in order to reduce the ERSPAN traffic bandwidth and to monitor peer-to-peer traffic. Packet range-based sampling is used to provide an accurate count of the ERSPAN source packets.



**Note** Sampling and MTU truncation can be enabled at the same time and have no precedence over each other because they are applied to different aspects of the source packet (packet count versus size). However, sampling takes precedence over ERSPAN source rate limiting. Rate limiting takes effect after sampling is completed on ERSPAN source packets.

**Before you begin**

Ensure that you are in the correct VDC (or use the **switchto vdc** command).

**Procedure**

	<b>Command or Action</b>	<b>Purpose</b>
<b>Step 1</b>	switch# <b>configure terminal</b>	Enters global configuration mode.
<b>Step 2</b>	switch(config)# <b>monitor session</b> <i>session-number</i> <b>type erspan-source</b>	Enters the monitor configuration mode for the ERSPAN source type and specifies the ERSPAN session for which ERSPAN sampling is to be configured.
<b>Step 3</b>	(Optional) switch(config-erspan-src)# <b>header-type version</b>	Changes the ERSPAN source session from Type II to Type III.
<b>Step 4</b>	switch(config-erspan-src)# [ <b>no</b> ] <b>sampling range</b>	Configures the sampling range for ERSPAN source packets. The sampling value is the range in which one packet out of x packets will be spanned, where x is from 2 to 1023. In this example, 1 out of every 100 packets will be spanned.
<b>Step 5</b>	switch(config-erspan-src)# <b>exit</b>	Exits monitor configuration mode.
<b>Step 6</b>	switch(config)# <b>exit</b>	Exits global configuration mode.
<b>Step 7</b>	(Optional) switch# <b>show monitor session</b> <i>session-number</i>	Displays the status of ERSPAN sessions, including the configuration status of ERSPAN sampling, the sampling value, and the modules on which sampling is and is not supported.
<b>Step 8</b>	(Optional) switch# <b>copy running-config</b> <b>startup-config</b> [vdc-all]	Copies the running configuration to the startup configuration.

## Configuring the Multicast Best Effort Mode for an ERSPAN Session

You can configure the multicast best effort mode for any ERSPAN session. By default, ERSPAN replication occurs on both the ingress and egress modules. When you enable the multicast best effort mode, ERSPAN replication occurs only on the ingress module for multicast traffic or on the egress module for packets that egress out of Layer 3 interfaces (that is, on the egress module, packets that egress out of Layer 2 interfaces are not replicated for ERSPAN).

**Note**

For Layer 3 multicast traffic, ERSPAN replication occurs on the egress module. If traffic is multicasted to multiple egress modules, you could capture multiple ERSPAN copies for each packet (that is, one copy from each egress module).

**Before you begin**

Ensure that you are in the correct VDC (or use the **switchto vdc** command).

**Procedure**

	Command or Action	Purpose
<b>Step 1</b>	switch# <b>configure terminal</b>	Enters global configuration mode.
<b>Step 2</b>	switch(config)# <b>monitor session</b> <i>session-number</i> <b>type erspan-source</b>	Enters the monitor configuration mode for the ERSPAN source type and specifies the ERSPAN session for which the multicast best effort mode is to be configured.
<b>Step 3</b>	(Optional) switch(config-erspan-src)# <b>header-type version</b>	Changes the ERSPAN source session from Type II to Type III.
<b>Step 4</b>	switch(config-erspan-src)# <b>[no] multicast</b> <b>best-effort</b>	Configures the multicast best effort mode for the specified ERSPAN session.

## Configuring Rule-Based ERSPAN

You can configure filters for ingress or egress ERSPAN traffic based on a set of rules. A simple filter has only one rule, and multiple fields or conditions can be added to this rule. The packets are spanned only if all conditions are met.

**Before you begin**

Ensure that you are in the correct VDC (or use the **switchto vdc** command).

**Procedure**

	Command or Action	Purpose
<b>Step 1</b>	switch# <b>configure terminal</b>	Enters global configuration mode.
<b>Step 2</b>	switch(config)# <b>monitor erspan origin</b> <b>ip-address ip-address global</b>	Configures the ERSPAN global origin IP address.  The global origin IP address can be configured in either the default VDC or the admin VDC. The value that is configured in this VDC is valid across all VDCs. Any change made in the default or admin VDC is applied across all nondefault VDCs.
<b>Step 3</b>	(Optional) switch(config)# <b>monitor erspan</b> <b>granularity {100_ms   100_ns   1588   ns}</b>	Specifies the granularity of all ERSPAN Type III sessions across all VDCs. The granularity options are 100 microseconds (ms), 100 nanoseconds (ns), IEEE 1588 (in seconds or nanoseconds), and nanoseconds.

	Command or Action	Purpose
		<p><b>Note</b> The clock manager adjusts the ERSPAN timers based on the granularity setting. If you configure IEEE 1588, the clock manager synchronizes the ERSPAN timers across switches. Otherwise, the clock manager synchronizes the ERSPAN timer with the master timer in the switch.</p> <p><b>Note</b> 1588 granularity mode is not supported in Cisco NX-OS Release 6.1 and is rejected if selected.</p> <p><b>Note</b> M2 Series modules support 100 ms, 100 ns, and ns granularity. F2 series and F2e Series modules support only 100 ms and 100 ns granularity.</p> <p><b>Note</b> This command can be applied only in the default VDC.</p>
<b>Step 4</b>	switch(config)# <b>no monitor session</b> { <i>session-number</i>   <b>all</b> }	Clears the configuration of the specified ERSPAN session. The new session configuration is added to the existing session configuration.
<b>Step 5</b>	switch(config)# <b>monitor session</b> { <i>session-number</i>   <b>all</b> } <b>type erspan-source</b> [ <b>rx</b>   <b>tx</b> ] [ <b>shut</b> ]	Configures an ERSPAN Type II source session. By default the session is bidirectional. The optional keywords are as follows: <ul style="list-style-type: none"> <li>• <b>rx</b>—Specifies an ingress extended ERSPAN source session.</li> <li>• <b>tx</b>—Specifies an egress extended ERSPAN source session.</li> <li>• <b>shut</b>—Specifies a shut state for the selected session.</li> </ul>
<b>Step 6</b>	(Optional) switch(config-erspan-src)# <b>mode extended</b>	Configures the ERSPAN source session as an extended bidirectional session. <p><b>Note</b> You cannot use this command on a unidirectional ERSPAN source session.</p>
<b>Step 7</b>	(Optional) switch(config-erspan-src)# <b>header-type version</b>	Changes the ERSPAN source session from Type II to Type III.

	Command or Action	Purpose
		<p><b>Note</b> You can use the <b>no</b> form of this command to change an ERSPAN source session from Type III to Type II.</p>
<b>Step 8</b>	(Optional) switch(config-erspan-src)# <b>description</b> <i>description</i>	Configures a description for the session. By default, no description is defined. The description can be up to 32 alphanumeric characters.
<b>Step 9</b>	switch(config-erspan-src)# [ <b>no</b> ] <b>filter</b> [ <b>access-group</b> <i>acl-filter</i> ] [ <b>vlan</b> <i>vlan-range</i> ] [ <b>bpdu</b> [ <b>true</b>   <b>false</b> ]] [ <b>cos</b> <i>cos-value</i> ] [ <b>dest-mac</b> <i>dest-mac</i> ] [ <b>eth-type</b> <i>eth-value</i> ] [ <b>flow-hash</b> <i>flow-value</i> ] [ <b>frame-type</b> [ <b>eth</b>   <b>arp</b>   <b>fcoe</b>   <b>ipv4</b>   <b>ipv6</b> ]] [ <b>pc-lane</b> <i>port-number</i> ] [ <b>src_mac</b> <i>mac-address</i> ] [ <b>trace-route</b> [ <b>true</b>   <b>false</b> ]]	<p>Configures the filter for the ERSPAN session. To remove the filter from the session, enter the <b>no</b> form of the command. The optional keywords are as follows:</p> <ul style="list-style-type: none"> <li>• <b>access-group</b>—Specifies a filter based on an access control group.</li> <li>• <b>vlan</b>—Specifies a filter based on a VLAN range.</li> <li>• <b>bpdu</b>—Specifies a filter based on the bridge protocol data unit (BPDU) class of packets.</li> <li>• <b>cos</b>—Specifies a filter based on the class of service (CoS) in the dot1q header.</li> <li>• <b>dest-mac</b>—Specifies a filter based on a destination MAC address.</li> <li>• <b>eth-type</b>—Specifies a filter based on the Ethernet type.</li> <li>• <b>flow-hash</b>—Specifies a filter based on the result bundle hash (RBH) value.</li> <li>• <b>frame-type</b>—Specifies a filter based on a frame type.</li> <li>• <b>pc-lane</b>—Specifies a filter based on a member of the port channel.</li> <li>• <b>src-mac</b>—Specifies a filter based on a source MAC address.</li> <li>• <b>trace-route</b>—Specifies a filter based on the route bit in the header.</li> </ul>
<b>Step 10</b>	(Optional) switch(config-erspan-src)# [ <b>no</b> ] <b>filter frame-type eth</b>	Configures the Ethernet frame type filter for the ERSPAN session. To remove the filter from the session, enter the <b>no</b> form of the command.

	Command or Action	Purpose
<b>Step 11</b>	(Optional) switch(config-erspan-src)# <b>[no]</b> <b>filter frame-type arp</b> [[ <b>arp-rarp</b> [ <b>arp</b>   <b>rarp</b> ]] [ <b>req-resp</b> [ <b>req</b>   <b>rsp</b> ]] [ <b>sender-ip</b> <i>ip-address</i> ] [ <b>target-ip</b> <i>ip-address</i> ]]	Configures the ARP frame type filter for the ERSPAN session. To remove the filter from the session, enter the <b>no</b> form of the command. <ul style="list-style-type: none"> <li>• <b>arp-rarp</b>—Specifies an ARP or RARP frame type filter.</li> <li>• <b>req-resp</b>—Specifies a filter based on a request or response.</li> <li>• <b>sender-ip</b>—Specifies a filter based on a sender IP address.</li> <li>• <b>target-ip</b>—Specifies a filter based on a target IP address.</li> </ul>
<b>Step 12</b>	(Optional) switch(config-erspan-src)# <b>[no]</b> <b>filter frame-type fcoe</b> [[ <b>fc-sid</b> <i>FC-source-ID</i> ] [ <b>fc-did</b> <i>FC-dest-ID</i> ] [ <b>fcoe-type</b> <i>fcoe-value</i> ] [ <b>r-ctl</b> <i>r-ctl-value</i> ] [ <b>sof</b> <i>sof-value</i> ] [ <b>cmd-code</b> <i>cmd-value</i> ]]	Configures the FCoE frame type filter for the ERSPAN session. To remove the filter from the session, enter the <b>no</b> form of the command. The optional keywords are as follows: <ul style="list-style-type: none"> <li>• <b>fc-sid</b>—Specifies a filter based on an FC source ID.</li> <li>• <b>fc-did</b>—Specifies a filter based on an FC destination ID.</li> <li>• <b>fcoe-type</b>—Specifies a filter based on an FCoE type.</li> <li>• <b>r-ctl</b>—Specifies a filter based on the routing control flags (R CTL) value.</li> <li>• <b>sof</b>—Specifies a filter based on the start of frame (SOF) packets.</li> <li>• <b>cmd-code</b>—Specifies a filter based on a command code.</li> </ul>
<b>Step 13</b>	(Optional) switch(config-erspan-src)# <b>[no]</b> <b>filter frame-type ipv4</b> [[ <b>src-ip</b> <i>src-ip</i> ] [ <b>dest-ip</b> <i>dest-ip</i> ] [ <b>tos</b> <i>tos-value</i> ] [ <b>l4-protocol</b> <i>l4-value</i> ]]	Configures the IPv4 frame type filter for the ERSPAN session. To remove the filter from the session, enter the <b>no</b> form of the command. The optional keywords are as follows: <ul style="list-style-type: none"> <li>• <b>src-ip</b>—Specifies a filter based on an IPv4 source IP address.</li> <li>• <b>dest-ip</b>—Specifies a filter based on an IPv4 destination IP address.</li> <li>• <b>tos</b>—Specifies a filter based on the type of service (ToS) in the IP header.</li> </ul>



	Command or Action	Purpose
		<ul style="list-style-type: none"> <li>• <b>l4-protocol</b>—Specifies a filter based on a Layer 4 protocol number set in the protocol field of the IP header.</li> </ul>
<b>Step 14</b>	(Optional) <code>switch(config-erspan-src)# [no] filter frame-type ipv6 [[src-ip src-ip ] [dest-ip dest-ip] [tos tos-value] [l4-protocol l4-value]]</code>	<p>Configures the IPv6 frame type filter for the ERSPAN session. To remove the filter from the session, enter the <b>no</b> form of the command. The optional keywords are as follows:</p> <ul style="list-style-type: none"> <li>• <b>src-ip</b>—Specifies a filter based on an IPv6 source IP address.</li> <li>• <b>dest-ip</b>—Specifies a filter based on an IPv6 destination IP address.</li> <li>• <b>tos</b>—Specifies a filter based on the type of service (ToS) in the IP header.</li> <li>• <b>l4-protocol</b>—Specifies a filter based on a Layer 4 protocol number set in the protocol field of the IP header.</li> </ul>
<b>Step 15</b>	(Optional) Repeat Steps 9 to 14 for all filters for the session.	—
<b>Step 16</b>	<code>switch(config-erspan-src)# source {[interface [type slot/port [-port] [,type slot/port[-port]]] [port-channel channel-number]]   [vlan {number   range}]} [rx   tx   both]</code>	<p>Configures sources and the traffic direction in which to copy packets. You can enter a range of Ethernet ports, a port channel, an inband interface, a range of VLANs, a Cisco Nexus 2000 Series Fabric Extender interface, or a fabric port channel connected to a Cisco Nexus 2000 Series Fabric Extender.</p> <p>You can configure one or more sources, as either a series of comma-separated entries or a range of numbers. You can specify up to 128 interfaces. The VLAN range is from 1 to 3967. The VLAN range of 4048 to 4093 is also supported for Cisco NX-OS releases prior to 6.1.</p> <p>You can specify the traffic direction to copy as ingress (rx), egress (tx), or both. By default, the direction is both.</p> <p>For a unidirectional session, the direction of the source must match the direction specified in the session.</p>
<b>Step 17</b>	(Optional) Repeat Step 16 to configure all ERSPAN sources.	—

	Command or Action	Purpose
<b>Step 18</b>	switch(config-erspan-src)# <b>destination ip</b> <i>ip-address</i>	Configures the destination IP address in the ERSPAN session. Only one destination IP address is supported per ERSPAN source session.  <b>Note</b> The Cisco Nexus 2000 Series Fabric Extender interfaces and the fabric port channels connected to the FEX cannot be configured as ERSPAN destinations.
<b>Step 19</b>	switch(config-erspan-src)# <b>erspan-id</b> <i>erspan-id</i>	Configures the ERSPAN ID for the ERSPAN session. The ERSPAN range is from 1 to 1023.
<b>Step 20</b>	switch(config-erspan-src)# <b>vrf</b> <i>vrf-name</i>	Configures the VRF instance that the ERSPAN source session uses for traffic forwarding. The VRF name can be any case-sensitive, alphanumeric string up to 32 characters.
<b>Step 21</b>	(Optional) switch(config-erspan-src)# <b>ip ttl</b> <i>ttl-number</i>	Configures the IP time-to-live (TTL) value for the ERSPAN traffic. The range is from 1 to 255.
<b>Step 22</b>	(Optional) switch(config-erspan-src)# <b>ip dscp</b> <i>dscp-number</i>	Configures the differentiated services code point (DSCP) value of the packets in the ERSPAN traffic. The range is from 0 to 63.
<b>Step 23</b>	switch(config-erspan-src)# <b>no shut</b>	Enables the ERSPAN session. By default, the session is created in the shut state.
<b>Step 24</b>	switch(config-erspan-src)# <b>exit</b>	Exits monitor configuration mode.
<b>Step 25</b>	switch(config)# <b>exit</b>	Exits global configuration mode.
<b>Step 26</b>	(Optional) switch# <b>show monitor session</b> { <b>all</b>   <i>session-number</i>   <b>range</b> <i>session-range</i> } [ <b>brief</b> ]	Displays the status of ERSPAN sessions, including the configuration status of the multicast best effort mode and the modules on which the best effort mode is and is not supported.
<b>Step 27</b>	(Optional) switch# <b>copy running-config</b> <b>startup-config</b>	Copies the running configuration to the startup configuration.

## Configuring Exception ERSPAN

You can configure the device to span exception packets.

### Before you begin

Ensure that you are in the correct VDC (or use the **switchto vdc** command).

## Procedure

	Command or Action	Purpose
<b>Step 1</b>	switch# <b>configure terminal</b>	Enters global configuration mode.
<b>Step 2</b>	switch(config)# <b>monitor session</b> <i>session-number</i> <b>type erspan-source</b> [ <b>rx</b>   <b>tx</b> ] [ <b>shut</b> ]	Enters the monitor configuration mode and specifies the ERSPAN session. The exception ERSPAN is supported in the egress direction only. In the case of an extended ERSPAN Rx session, the exception source configuration will be rejected. The optional keywords are as follows: <ul style="list-style-type: none"> <li>• <b>rx</b>—Specifies an ingress extended ERSPAN source session.</li> <li>• <b>tx</b>—Specifies an egress extended ERSPAN source session.</li> <li>• <b>shut</b>—Specifies a shut state for the selected session.</li> </ul>
<b>Step 3</b>	(Optional) switch(config-erspan-src)# <b>mode extended</b>	Configures the ERSPAN session as an extended bidirectional session.
<b>Step 4</b>	switch(config-erspan-src)# <b>source exception</b> { <b>layer3</b>   <b>fabricpath</b>   <b>other</b>   <b>all</b> }	Configures the source as an exception ERSPAN session. These exception types are supported: <ul style="list-style-type: none"> <li>• <b>layer3</b>—Specifies the Layer 3 exception type for F2 Series and M Series modules.</li> <li>• <b>fabricpath</b>—Specifies the FabricPath exception type for F Series modules.</li> <li>• <b>other</b>—Specifies exceptions for M Series modules that are dropped through redirect registers programmed with a drop destination interface.</li> <li>• <b>all</b>—Includes all Layer 3, FabricPath, and other exceptions.</li> </ul>
<b>Step 5</b>	switch(config-erspan-src)# <b>destination ip</b> <i>ip-address</i>	Configures the destination IP address in the ERSPAN session. Only one destination IP address is supported per ERSPAN source session. <p><b>Note</b> The Cisco Nexus 2000 Series Fabric Extender interfaces and the fabric port channels connected to the FEX cannot be configured as ERSPAN destinations.</p>

	Command or Action	Purpose
<b>Step 6</b>	switch(config-erspan-src)# <b>no shut</b>	Enables the ERSPAN session. By default, the session is created in the shut state.
<b>Step 7</b>	switch(config-erspan-src)# <b>exit</b>	Exits module configuration mode.
<b>Step 8</b>	switch(config)# <b>exit</b>	Exits global configuration mode.
<b>Step 9</b>	(Optional) switch# <b>show monitor session</b> <i>session-number</i>	Displays the status of ERSPAN sessions, including the configuration status of the multicast best effort mode and the modules on which the best effort mode is and is not supported.
<b>Step 10</b>	(Optional) switch# <b>copy running-config</b> <b>startup-config [vdc-all]</b>	Copies the running configuration to the startup configuration.

## Verifying the ERSPAN Configuration

To display the ERSPAN configuration, perform one of the following tasks:

Command	Purpose
<b>show monitor session</b> { <b>all</b>   <i>session-number</i>   <b>range</b> <i>session-range</i> } [ <b>brief</b> ]	Displays the ERSPAN session configuration.
<b>show running-config monitor</b>	Displays the running ERSPAN configuration.
<b>show startup-config monitor</b>	Displays the ERSPAN startup configuration.
<b>show resource monitor-session-extended</b>	Displays the resources that are available for the extended session.
<b>show resource monitor-session-mx-exception-src</b>	Displays the resources that are available for the exception session.

For detailed information about the fields in the output from these commands, see the *Cisco Nexus 7000 Series NX-OS System Management Command Reference*.

## Configuration Examples for ERSPAN

### Configuration Example for an ERSPAN Type III Source Session

This example shows how to configure an ERSPAN Type III source session:

```
switch# configure terminal
switch(config)# interface ethernet 14/30
switch(config-if)# no shut
```

```

switch(config-if)# exit
switch(config)# monitor erspan origin ip-address 3.3.3.3 global
switch(config)# monitor erspan granularity 100_ns
switch(config)# monitor session 1 type erspan-source
switch(config-erspan-src)# mode extended
switch(config-erspan-src)# header-type 3
switch(config-erspan-src)# source interface ethernet 14/30
switch(config-erspan-src)# erspan-id 1
switch(config-erspan-src)# ip ttl 16
switch(config-erspan-src)# ip dscp 5
switch(config-erspan-src)# vrf default
switch(config-erspan-src)# destination ip 9.1.1.2
switch(config-erspan-src)# no shut
switch(config-erspan-src)# exit
switch(config)# show monitor session 1

```

## Configuration Example to Monitor All VLANs and Ports in an Extended ERSPAN Monitor Session

This example shows how to monitor all VLANs and ports in an extended ERSPAN monitor session:

```

switch# configure terminal
switch(config)# monitor session 1 type erspan-source
switch(config-monitor)# mode extended
switch(config-monitor)# source interface all
switch(config-monitor)# destination interface ethernet 14/29
switch(config-monitor)# vrf default
switch(config-monitor)# erspan-id 200
switch(config-monitor)# no shut
switch(config-monitor)# exit
switch(config)# show monitor session 1
switch(config)# copy running-config startup-config

```

This example shows how to monitor a higher number of specific VLAN sources than the VLAN source limits currently supported in an extended ERSPAN monitor session:

```

switch# configure terminal
switch(config)# monitor session 2 type erspan-source
switch(config-monitor)# mode extended
switch(config-monitor)# source interface all tx
switch(config-monitor)# destination ip 192.0.2.1
switch(config-monitor)# vrf default
switch(config-monitor)# erspan-id 200
switch(config-monitor)# filter vlan 1-1000
switch(config-monitor)# no shut
switch(config-monitor)# exit
switch(config)# show monitor session 2
switch(config)# copy running-config startup-config

```

## Configuration Example for a Unidirectional ERSPAN Session

This example shows how to configure a unidirectional ERSPAN session:

```

switch# configure terminal
switch(config)# interface ethernet 14/30
switch(config-if)# no shut
switch(config-if)# exit
switch(config)# no monitor session 3
switch(config)# monitor session 3 rx

```

```

switch(config-erspan-src)# source interface ethernet 2/1-3 rx
switch(config-erspan-src)# erspan-id 1
switch(config-erspan-src)# ip ttl 16
switch(config-erspan-src)# ip dscp 5
switch(config-erspan-src)# vrf default
switch(config-erspan-src)# destination ip 9.1.1.2
switch(config-erspan-src)# no shut
switch(config-erspan-src)# exit
switch(config)# show monitor session 1

```

## Configuration Example for an ERSPAN Destination Session

This example shows how to configure an ERSPAN destination session:

```

switch# configure terminal
switch(config)# interface e14/29
switch(config-if)# no shut
switch(config-if)# switchport
switch(config-if)# switchport monitor
switch(config-if)# exit
switch(config)# monitor session 2 type erspan-destination
switch(config-erspan-dst)# source ip 9.1.1.2
switch(config-erspan-dst)# destination interface e14/29
switch(config-erspan-dst)# erspan-id 1
switch(config-erspan-dst)# vrf default
switch(config-erspan-dst)# no shut
switch(config-erspan-dst)# exit
switch(config)# show monitor session 2

```

## Configuration Example for an ERSPAN ACL

This example shows how to configure an ERSPAN ACL:

```

switch# configure terminal
switch(config)# ip access-list match_11_pkts
switch(config-acl)# permit ip 11.0.0.0 0.255.255.255 any
switch(config-acl)# exit
switch(config)# ip access-list match_12_pkts
switch(config-acl)# permit ip 12.0.0.0 0.255.255.255 any
switch(config-acl)# exit
switch(config)# vlan access-map erspan_filter 5
switch(config-access-map)# match ip address match_11_pkts
switch(config-access-map)# action forward
switch(config-access-map)# exit
switch(config)# vlan access-map erspan_filter 10
switch(config-access-map)# match ip address match_12_pkts
switch(config-access-map)# action forward
switch(config-access-map)# exit
switch(config)# monitor session 1 type erspan-source
switch(config-erspan-src)# header-type 3
switch(config-erspan-src)# filter access_group erspan_filter

```

## Configuration Example for ERSPAN with MTU Truncation and ERSPAN Sampling

This example shows how to configure MTU truncation and ERSPAN sampling for an ERSPAN session:

```
switch# configure terminal
switch(config)# monitor session 1 type erspan-source
switch(config-erspan-src)# mtu 100
switch(config-erspan-src)# sampling 10
switch(config-erspan-src)# show monitor session 1
```

## Configuration Example for ERSPAN Using the Multicast Best Effort Mode

This example shows how to configure the multicast best effort mode for an ERSPAN session:

```
switch# configure terminal
switch(config)# monitor session 1 type erspan-source
switch(config-erspan-src)# multicast best-effort
switch(config-erspan-src)# show monitor session 1
```

## Configuration Example for Rule-Based ERSPAN

This example shows how to configure a rule-based ERSPAN session:

```
switch# configure terminal
switch(config)# monitor erspan origin ip-address 10.0.0.1 global
switch(config)# monitor erspan granularity 100_ns
switch(config)# no monitor session 3
switch(config)# monitor session 3 type erspan-source
switch(config-erspan-src)# mode extended
switch(config-erspan-src)# header-type 3
switch(config-erspan-src)# description erspan_src_session_3
switch(config-erspan-src)# filter frame-type ipv4 src-ip 10.1.1.1/24
switch(config-erspan-src)# filter vlan 10,20
switch(config-erspan-src)# source interface ethernet 2/1-3, ethernet 3/1 rx
switch(config-erspan-src)# destination ip 10.1.1.1
switch(config-erspan-src)# erspan-id 5
switch(config-erspan-src)# vrf default
switch(config-erspan-src)# ip ttl 25
switch(config-erspan-src)# ip dscp 42
switch(config-erspan-src)# no shut
switch# show monitor session 3
```

## Configuration Example for Exception ERSPAN

This example shows how to configure an exception ERSPAN session:

```
switch# configure terminal
switch(config)# monitor session 3 type erspan-source
switch(config-erspan-src)# mode extended
switch(config-erspan-src)# source exception all
switch(config-erspan-src)# destination ip 10.1.1.1
```

```
switch(config-erspan-src)# no shut
switch# show monitor session 3
```

## Related Documents

Related Topic	Document Title
ERSPAN commands: complete command syntax, command modes, command history, defaults, usage guidelines, and examples	<i>Cisco Nexus 7000 Series NX-OS System Management Command Reference</i>
VDCs	<i>Cisco Nexus 7000 Series NX-OS Virtual Device Context Configuration Guide</i>
Cisco Network Analysis Module (NAM)	<i>Cisco Network Analysis Module (NAM) for Nexus 7000 Quick Start Guide</i>
Fabric Extender	<i>Cisco Nexus 2000 Series Fabric Extender Software Configuration Guide</i>

## Feature History for ERSPAN

The table below summarizes the new and changed features for this document and shows the releases in which each feature is supported. Your software release might not support all the features in this document. For the latest caveats and feature information, see the Bug Search Tool at <https://tools.cisco.com/bugsearch/> and the release notes for your software release.

**Table 36: Feature History for ERSPAN**

Feature Name	Releases	Feature Information
ERSPAN	7.3(0)DX(1)	Added support for ERSPAN source and destination sessions on M3 Series modules.
ERSPAN	7.3(0)D1(1)	Added support for 4K VLANs per ERSPAN Session.
ERSPAN	6.2(2)	Added support for ERSPAN destination sessions on F2 and F2e Series modules.
ERSPAN	6.2(2)	Added NAM support for ERSPAN data sources.
ERSPAN	6.2(2)	Added support for extended ERSPAN.
ERSPAN	6.2(2)	Added support for rule-based ERSPAN.



ERSPAN	6.2(2)	Added support for exception ERSPAN.
ERSPAN	6.2(2)	Added support for ERSPAN termination on F2 or F2e Series modules.
ERSPAN	6.1(2)	Added support for F2e Series modules.
ERSPAN	6.1(1)	Added support for ERSPAN Type III.
ERSPAN	6.1(1)	Added support for Supervisor 2.
ERSPAN	6.1(1)	Added support for F2 and M2 Series modules.
ERSPAN	6.1(1)	Added support for ERSPAN sampling.
ERSPAN	6.1(1)	Added the ability to configure MTU truncation and the source rate limit for each ERSPAN session.
ERSPAN	6.0(1)	ERSPAN and ERSPAN ACLs are not supported on F2 Series modules.
ERSPAN	5.2(1)	Added ERSPAN source support for Cisco Nexus 2000 Series Fabric Extender interfaces.
ERSPAN	5.2(1)	Added the ability to configure the multicast best effort mode for an ERSPAN session.
ERSPAN and ERSPAN ACLs	5.1(1)	This feature was introduced.
ERSPAN	7.2	ERSPAN source sessions are supported on F3 Series modules. However, ERSPAN ACL sessions are not supported on F3 Series modules.





## CHAPTER 19

# Configuring LLDP

---

This chapter describes how to configure the Link Layer Discovery Protocol (LLDP) in order to discover other devices on the local network.

This chapter includes the following sections:

- [Finding Feature Information, on page 357](#)
- [About LLDP, on page 357](#)
- [Licensing Requirements for LLDP, on page 359](#)
- [Guidelines and Limitations for LLDP, on page 359](#)
- [Default Settings for LLDP, on page 360](#)
- [Configuring LLDP, on page 360](#)
- [Verifying the LLDP Configuration, on page 362](#)
- [Configuration Example for LLDP, on page 363](#)
- [Related Documents, on page 363](#)
- [Feature History for LLDP, on page 364](#)

## Finding Feature Information

Your software release might not support all the features documented in this module. For the latest caveats and feature information, see the Bug Search Tool at <https://tools.cisco.com/bugsearch/> and the release notes for your software release. To find information about the features documented in this module, and to see a list of the releases in which each feature is supported, see the "New and Changed Information" chapter or the Feature History table in this chapter.

## About LLDP

The Cisco Discovery Protocol (CDP) is a device discovery protocol that allows network management applications to automatically discover and learn about other Cisco devices that are connected to the network.

To permit the discovery of non-Cisco devices, the switch also supports the Link Layer Discovery Protocol (LLDP), a vendor-neutral device discovery protocol that is defined in the IEEE 802.1ab standard. LLDP allows network devices to advertise information about themselves to other devices on the network. This protocol runs over the data-link layer, which allows two systems running different network layer protocols to learn about each other.

LLDP is a one-way protocol that transmits information about the capabilities and status of a device and its interfaces. LLDP devices use the protocol to solicit information only from other LLDP devices.

LLDP supports a set of attributes that it uses to discover other devices. These attributes contain type, length, and value (TLV) descriptions. LLDP devices can use TLVs to send and receive information to other devices on the network. Details such as configuration information, device capabilities, and device identity can be advertised using this protocol.

LLDP advertises the following TLVs by default:

- DCBXP
- Management address
- Port description
- Port VLAN
- System capabilities
- System description
- System name

## About DCBXP

The Data Center Bridging Exchange Protocol (DCBXP) is an extension of LLDP. It is used to announce, exchange, and negotiate node parameters between peers. DCBXP parameters are packaged into a specific DCBXP TLV. This TLV is designed to provide an acknowledgement to the received LLDP packet. In this way, DCBXP adds a lightweight acknowledgement mechanism on top of LLDP so that any application that needs a request-response semantic from a link-level protocol can make use of DCBXP.

Other applications that need to exchange and negotiate parameters with peer nodes using DCBXP are as follows:

- Priority-based Flow Control (PFC)—PFC is an enhancement to the existing Pause mechanism in Ethernet. It enables Pause based on user priorities or classes of service. A physical link divided into eight virtual links with PFC provides the capability to use Pause on a single virtual link without affecting traffic on the other virtual links. Enabling Pause on a per-user-priority basis allows administrators to create lossless links for traffic requiring no-drop service while retaining packet-drop congestion management for IP traffic.
- Enhanced Transmission Selection (ETS)—ETS enables optimal bandwidth management of virtual links. ETS is also called priority grouping. It enables differentiated treatments within the same priority classes of PFC. ETS provides prioritized processing based on bandwidth allocation, low latency, or best effort, resulting in per-group traffic class allocation. For example, an Ethernet class of traffic may have a high-priority designation and a best effort within that same class. ETS allows differentiation between traffic of the same priority class, thus creating priority groups.
- Application Priority Configuration TLV—Carries information about which VLANs will be used by specific protocols.



**Note** For information on the quality of service (QoS) features, see the *Cisco Nexus 7000 Series NX-OS Quality of Service Configuration Guide*.

DCBXP is enabled by default, provided LLDP is enabled. When LLDP is enabled, DCBXP can be enabled or disabled using the **[no] lldp tlv-select dcbxp** command. DCBXP is disabled on ports where LLDP transmit or receive is disabled.

## High Availability

The LLDP feature supports stateless and stateful restarts. After a reboot or supervisor switchover, the running configuration is applied.

For more information on high availability, see the *Cisco Nexus 7000 Series NX-OS High Availability and Redundancy Guide*.

## Virtualization Support

One instance of LLDP is supported.

## Licensing Requirements for LLDP

Product	License Requirement
Cisco NX-OS	LLDP requires no license. Any feature not included in a license package is bundled with the nx-os image and is provided at no extra charge to you. For a complete explanation of the Cisco NX-OS licensing scheme, see the <i>Cisco NX-OS Licensing Guide</i> .

## Guidelines and Limitations for LLDP

LLDP has the following configuration guidelines and limitations:

- LLDP must be enabled on the device before you can enable or disable it on any interfaces.
- LLDP is supported only on physical interfaces.
- LLDP can discover up to one device per port.
- LLDP can discover Linux servers, provided they are not using a converged network adapter (CNA). LLDP cannot discover other types of servers.
- DCBXP incompatibility messages might appear when you change the network QoS policy if a physical loopback connection is in the device. The incompatibility exists for only a short time and then clears.
- DCBXP is not supported for the Cisco Nexus 2000 Series Fabric Extender.

- Beginning with Cisco NX-OS Release 5.2, LLDP is supported for the Cisco Nexus 2000 Series Fabric Extender. LLDP packets can now be sent and received through the Fabric Extender ports for neighbor discovery.
  - All LLDP configuration on Fabric Extender ports occurs on the supervisor. LLDP configuration and **show** commands are not visible on the Fabric Extender console.
  - LLDP is not supported for a Fabric Extender-virtual port channel (vPC) connection.

## Default Settings for LLDP

This table lists the LLDP default settings.

Parameters	Default
Global LLDP	Disabled
LLDP on interfaces	Enabled, after LLDP is enabled globally
LLDP hold time (before discarding)	120 seconds
LLDP reinitialization delay	2 seconds
LLDP timer (packet update frequency)	30 seconds
LLDP TLVs	Enabled
LLDP receive	Enabled, after LLDP is enabled globally
LLDP transmit	Enabled, after LLDP is enabled globally
DCBXP	Enabled, provided LLDP is enabled

## Configuring LLDP



**Note** Cisco NX-OS commands for this feature may differ from Cisco IOS commands for a similar feature.

## Enabling or Disabling LLDP Globally

You can enable or disable LLDP globally on a device. You must enable LLDP globally to allow a device to send and receive LLDP packets.

### Procedure

	Command or Action	Purpose
<b>Step 1</b>	switch# <b>configure terminal</b>	Enters global configuration mode.

	Command or Action	Purpose
<b>Step 2</b>	switch(config)# [no] feature lldp	Enables or disables LLDP on the device. LLDP is disabled by default.
<b>Step 3</b>	(Optional) switch(config)# show running-config lldp	Displays the global LLDP configuration. If LLDP is enabled, it shows "feature lldp." If LLDP is disabled, it shows an "Invalid command" error.
<b>Step 4</b>	(Optional) switch(config)# copy running-config startup-config	Copies the running configuration to the startup configuration.

## Enabling or Disabling LLDP on an Interface

After you globally enable LLDP, it is enabled on all supported interfaces by default. However, you can enable or disable LLDP on individual interfaces or selectively configure an interface to only send or only receive LLDP packets.

### Before you begin

Make sure that you have globally enabled LLDP on the device.

### Procedure

	Command or Action	Purpose
<b>Step 1</b>	switch# configure terminal	Enters global configuration mode.
<b>Step 2</b>	switch(config)# interface <i>interface slot/port</i>	Specifies the interface on which you are enabling LLDP and enters the interface configuration mode.
<b>Step 3</b>	switch(config-if)# [no] lldp transmit	Enables or disables the transmission of LLDP packets on an interface. After you globally enable LLDP, it is enabled on all supported interfaces by default.
<b>Step 4</b>	switch(config-if)# [no] lldp receive	Enables or disables the reception of LLDP packets on an interface. After you globally enable LLDP, it is enabled on all supported interfaces by default.
<b>Step 5</b>	(Optional) switch(config-if)# show lldp interface <i>interface slot/port</i>	Displays the LLDP configuration on the interface.
<b>Step 6</b>	(Optional) switch(config)# copy running-config startup-config	Copies the running configuration to the startup configuration.

## Configuring Optional LLDP Parameters

You can configure the frequency of LLDP updates, the amount of time for a receiving device to hold the information before discarding it, and the initialization delay time. You can also select the TLVs to include in LLDP packets.

### Procedure

	Command or Action	Purpose
<b>Step 1</b>	switch# <b>configure terminal</b>	Enters global configuration mode.
<b>Step 2</b>	(Optional) switch(config)# <b>[no] lldp holdtime</b> <i>seconds</i>	Specifies the amount of time in seconds that a receiving device should hold the information sent by your device before discarding it.  The range is 10 to 255 seconds; the default is 120 seconds.
<b>Step 3</b>	(Optional) switch(config)# <b>[no] lldp reinit</b> <i>seconds</i>	Specifies the delay time in seconds for LLDP to initialize on any interface.  The range is 1 to 10 seconds; the default is 2 seconds.
<b>Step 4</b>	(Optional) switch(config)# <b>[no] lldp timer</b> <i>seconds</i>	Specifies the transmission frequency of LLDP updates in seconds.  The range is 5 to 254 seconds; the default is 30 seconds.
<b>Step 5</b>	(Optional) switch(config)# <b>show lldp timers</b>	Displays the LLDP hold time, delay time, and update frequency configuration.
<b>Step 6</b>	(Optional) switch(config)# <b>[no] lldp tlv-select</b> <i>tlv</i>	Specifies the TLVs to send and receive in LLDP packets. The available TLVs are dcbsp, management-address, port-description, port-vlan, system-capabilities, system-description, and system-name. All available TLVs are enabled by default.
<b>Step 7</b>	(Optional) switch(config)# <b>show lldp tlv-select</b>	Displays the LLDP TLV configuration.
<b>Step 8</b>	(Optional) switch(config)# <b>copy running-config startup-config</b>	Copies the running configuration to the startup configuration.

## Verifying the LLDP Configuration

To display the LLDP configuration, perform one of the following tasks:

Command	Purpose
<b>show running-config lldp</b>	Displays the global LLDP configuration.



Command	Purpose
<b>show lldp interface</b> <i>interface slot/port</i>	Displays the LLDP interface configuration.
<b>show lldp timers</b>	Displays the LLDP hold time, delay time, and update frequency configuration.
<b>show lldp tlv-select</b>	Displays the LLDP TLV configuration.
<b>show lldp dcbox interface</b> <i>interface slot/port</i>	Displays the local DCBX control status.
<b>show lldp neighbors</b> { <b>detail</b>   <b>interface</b> <i>interface slot/port</i> }	Displays the LLDP neighbor device status.
<b>show lldp traffic</b>	Displays the LLDP counters, including the number of LLDP packets sent and received by the device, the number of discarded packets, and the number of unrecognized TLVs.
<b>show lldp traffic interface</b> <i>interface slot/port</i>	Displays the number of LLDP packets sent and received on the interface.

Use the **clear lldp counters** command to clear the LLDP statistics.

## Configuration Example for LLDP

This example shows how to enable LLDP on a device; disable LLDP on some interfaces; configure optional parameters such as hold time, delay time, and update frequency; and disable several LLDP TLVs:

```
switch# configure terminal
Enter configuration commands, one per line. End with CNTL/Z.
switch(config)# feature lldp
switch(config)# interface ethernet 7/9
switch(config-if)# no lldp transmit
switch(config-if)# no lldp receive
switch(config-if)# exit
switch(config)# interface ethernet 7/10
switch(config-if)# no lldp transmit
switch(config-if)# no lldp receive
switch(config-if)# exit
switch(config)# lldp holdtime 200
switch(config)# lldp reinit 5
switch(config)# lldp timer 50
switch(config)# no lldp tlv-select port-vlan
switch(config)# no lldp tlv-select system-name
```

## Related Documents

Related Topic	Related Topic
LLDP commands: complete command syntax, command modes, command history, defaults, usage guidelines, and examples	<i>Cisco Nexus 7000 Series NX-OS System Management Command Reference</i>

VDCs	<i>Cisco Nexus 2000 Series Fabric Extender Software Configuration Guide</i>
Fabric Extender	<i>Cisco Network Analysis Module (NAM) for Nexus 7000 Quick Start Guide</i>

## Feature History for LLDP

The table below summarizes the new and changed features for this document and shows the releases in which each feature is supported. Your software release might not support all the features in this document. For the latest caveats and feature information, see the Bug Search Tool at <https://tools.cisco.com/bugsearch/> and the release notes for your software release.

**Table 37: Feature History for LLDP**

Feature Name	Releases	Feature Information
LLDP	5.2(1)	Added LLDP support for the Cisco Nexus 2000 Series Fabric Extender.
DCBXP	5.1(1)	This feature was introduced.
LLDP	5.0(2)	This feature was introduced.



## CHAPTER 20

# Configuring NetFlow

---

This chapter describes how to configure the NetFlow feature on Cisco NX-OS devices.

- [Finding Feature Information, on page 365](#)
- [NetFlow, on page 365](#)
- [Licensing Requirements for NetFlow, on page 370](#)
- [Prerequisites for NetFlow, on page 370](#)
- [Guidelines and Limitations for NetFlow, on page 370](#)
- [Default Settings for NetFlow, on page 373](#)
- [Configuring NetFlow, on page 373](#)
- [Verifying the NetFlow Configuration, on page 385](#)
- [Monitoring NetFlow, on page 386](#)
- [Configuration Examples for NetFlow, on page 386](#)
- [Verification Examples for NetFlow CoPP Interface Support , on page 387](#)
- [Related Documents, on page 387](#)
- [Feature History for NetFlow, on page 388](#)

## Finding Feature Information

Your software release might not support all the features documented in this module. For the latest caveats and feature information, see the Bug Search Tool at <https://tools.cisco.com/bugsearch> and the release notes for your software release. To find information about the features documented in this module, and to see a list of the releases in which each feature is supported, see the “New and Changed Information” chapter or the Feature History table.

## NetFlow

NetFlow identifies packet flows for both ingress and egress IP packets and provide statistics based on these packet flows. NetFlow does not require any change to either the packets themselves or to any networking device.

## Netflow Overview

NetFlow uses flows to provide statistics for accounting, network monitoring, and network planning. A flow is a unidirectional stream of packets that arrives on a source interface (or VLAN) and has the same values for the keys. A key is an identified value for a field within the packet. You create a flow using a flow record to define the unique keys for your flow.

Cisco NX-OS supports the Flexible NetFlow feature that enables enhanced network anomalies and security detection. Flexible NetFlow allows you to define an optimal flow record for a particular application by selecting the keys from a large collection of predefined fields.

All key values must match for the packet to count in a given flow. A flow might gather other fields of interest, depending on the export record version that you configure. Flows are stored in the NetFlow cache.

You can export the data that NetFlow gathers for your flow by using a flow exporter and export this data to a remote NetFlow collector. Cisco NX-OS exports a flow as part of a NetFlow export User Datagram Protocol (UDP) datagram under the following circumstances:

- The flow has been inactive or active for too long.
- The flow cache is getting full.
- One of the counters (packets or bytes) has exceeded its maximum value.
- You have forced the flow to export.

The flow record determines the size of the data to be collected for a flow. The flow monitor combines the flow record and flow exporter with the NetFlow cache information.

Cisco NX-OS can gather NetFlow statistics in either full or sampled mode. Cisco NX-OS analyzes all packets on the interface or subinterface for full NetFlow mode. For sampled mode, you configure the rate at which Cisco NX-OS analyzes packets.

## Flow Records

A flow record defines the keys that NetFlow uses to identify packets in the flow as well as other fields of interest that NetFlow gathers for the flow. You can define a flow record with any combination of keys and fields of interest. Cisco NX-OS supports a rich set of keys. A flow record also defines the types of counters gathered per flow. You can configure 32-bit or 64-bit packet or byte counters.

The key fields are specified with the **match** keyword. The fields of interest and counters are specified under the **collect** keyword.

Cisco NX-OS enables the following match fields as the defaults when you create a flow record:

- match interface input
- match interface output
- match flow direction

## Flow Exporters

A flow exporter contains network layer and transport layer details for the NetFlow export packet. You can configure the following information in a flow exporter:

- Export destination IP address
- Source interface
- UDP port number (where the collector is listening for NetFlow packets)



---

**Note** NetFlow export packets use the IP address that is assigned to the source interface. If the source interface does not have an IP address assigned to it, the flow exporter will be inactive.

---

Cisco NX-OS exports data to the collector whenever a timeout occurs or when the flow is terminated (TCP FIN or RST received, for example). You can configure the following timers to force a flow export:

- Active timeout—Removes the cache entries from the cache. Prevents long-lasting flows from becoming invisible to the collector for a long period of time. The value of the active timeout should always be greater than that of the inactive timeout. Active timeout is supported on the M1, M2, F3 and M3 Series modules.
- Inactive timeout—Removes the cache entries from the cache. Inactive timeout is supported on the M1, M2, F3 and M3 Series modules.
- Fast timeout—Flushes low-hitting flows for the M1 and M2 Series modules.
- Aggressive timeout—Aggressively times out the flows when the cache starts getting full for the M1 and M2 Series modules.
- Session timeout—Ages the flows if the TCP close connection handshake is observed (FIN/FIN\_ACK packets). Session timeout is supported on M1 and M2 Series modules.
- Flush cache timeout—Flushes the cache for F2, F2e, and F3 Series modules.



---

**Note** The first five timeouts are applicable only to the NetFlow cache on M Series modules. The flow timeout is supported only for F2, F2e, and F3 Series modules.

---

The active and inactive timeouts exist by default and cannot be unconfigured. Only their time values can be configured.

## Export Formats

Cisco NX-OS supports the Version 5 and Version 9 export formats. We recommend that you use the Version 9 export format for the following reasons:

- More efficient network utilization
- Support for IPv6 and Layer 2 fields

If you configure the Version 5 export format, you have these limitations:

- Fixed field specifications
- No support for IPv6 and Layer 2 fields

- The `Netflow.InputInterface` and `Netflow.OutputInterface` represent a 16-bit I/O descriptor (IOD) of the interface.




---

**Note** The IOD information of the interface can be retrieved using the `show system internal im info global` command.

---




---

**Note** Cisco NX-OS supports UDP as the transport protocol for exports to up to two collectors.

---




---

**Note** M1 Series modules support the configuration change from the Version 5 to Version 9 export format, but F2, F2e, and F3 Series modules do not.

---

## Flow Monitors

A flow monitor references the flow record and flow exporter. You apply a flow monitor to an interface.

## Samplers

Cisco NX-OS supports sampled NetFlow. This feature samples incoming and outgoing packets on an interface. The packets sampled then qualify to create flows.

Sampled NetFlow reduces the amount of export data sent to the collector by limiting the number of packets that create flows and the number of flows. It is essential when flows are created on a line card or external device, instead of on the forwarding engine. F2, F2e, F3, and M3 Series modules support only sampled NetFlow.

Implementing NetFlow on F2 and F2e Series modules creates flows in the software. Too many packets trying to create or update flows can increase the load on the CPU, thereby increasing the need for a protective rate limiter. The rate limiter limits the number of packets that reach the CPU to approximately 1000 packets per second. F3 and M3 Series modules use a special hardware called FSA, which is used as a NetFlow processor, to create flows.

The sampling mode supported on F2, F2e, F3, M3, M1, and M2 modules is M out of N, where M packets are selected randomly out of every N packets for sampling, and only those packets can create flows.




---

**Note** With the F2 and F2e Series modules, you will need to be aware of the scaling factor to be configured, which is the additional sampling of 1:100 multiplied by the configured sampling. If you overlook this factor, you will not see the actual in the reported rate.

---

Rate limiter limits the number of packets that reach the CPU to approximately 1000 packets per second on the F2 and F2e Series modules. On the F3 Series module, rate limiting of 500 PPS per ASIC (SoC) is implemented. Hence, for Cisco NX-OS 7000, if the F3 Series module has 6 SoCs, then it will rate limit  $500 * 6 = 3000$  PPS to the CPU, per F3 Series module; and for Cisco NX-OS 7700, if the F3 Series module has 12 SoCs, then it will rate limit  $500 * 12 = 6000$  PPS to the CPU, per F3 Series module.

The F3 and M3 Series module supports more sampling rate, 1:131071 compared to 1:8191 on other F2 and F2e series modules.



**Note** The F3 series module supports an increased sampling rate on version 9. Performance on the F3 series module for the 7.2(0)D1(1) release has improved by 20 to 50 times the packet processing capability when compared to a 6.2.x release. It is enhanced to 50000 pps. Due to the increased speed, you can use a lower sampling rate on the F3 series module for this release. For example, a sampling of 1:4000 can be replaced with a sampling of 1:80.

On M3 series modules, the default rate limit value is 8000 PPS per ASIC (SoC). In such a scenario, the Cisco Nexus 7700 M3-Series 48-Port 1/10G Ethernet Module (with 2 SoCs) will rate limit  $8000 * 2 = 16000$  PPS only to the CPU per M3 Series module. Use the **hardware rate-limiter layer-2 netflow rate module m3module** command on a specific M3 Series module to configure the rate limit value to 24000 PPS. This configuration will enable the M3 series module to rate limit  $24000 * 2 = 48000$  PPS to the CPU per M3 Series module.

Similarly, the Cisco Nexus 7700 M3-Series 24-Port 40G Ethernet Module (with 4 SoCs) will rate limit  $8000 * 4 = 32000$  PPS only to the CPU per M3 Series module. Use the **hardware rate-limiter layer-2 netflow rate module m3module** command on a specific M3 Series module to configure the rate limit value to 12000 PPS. This configuration will enable the M3 Series module to rate limit  $12000 * 4 = 48000$  PPS to the CPU per M3 Series module.

The following limitations apply to sampled NetFlow and F2 Series and F2e Series modules:

- An additional sampling of 1:100 is applied over the configured value for F2 Series and F2e Series modules. For example, if the configured sampling is 1 in 200, the actual applied sampling is 1 in 20000. When you configure the sampler value to 1:4956, the system does not start the rate-limiter. This value is calculated based on the maximum traffic that would cross a module.
- The accuracy of the sampled NetFlow compared with the traditional NetFlow is dependent on the sampling rate configured. If the sampling rate is 1:1, the sampled NetFlow is exactly accurate as the traditional NetFlow. And if the sampling rate is 1:100, the sampled NetFlow is less accurate than the traditional, but it still yields statistical patterns that allow you to monitor the device.

## Netflow on CoPP Interface Support

Netflow on CoPP Interface Support features enables application of Netflow on packets that are destined to the supervisor module, which is the control plane.

Netflow on CoPP Interface Support feature enables the monitoring of packets that are egressing to the control plane. This monitoring feature was added in NX-OS release 7.3(0)D1(1).

For more information on Control Plane Policing, See the *Cisco Nexus 7000 Series NX-OS Security Configuration Guide*.

## Network Analysis Module

You can also use the Cisco Network Analysis Module (NAM) to monitor NetFlow data sources. NAM enables traffic analysis views and reports such as hosts, applications, conversations, VLAN, and QoS. See the NAM configuration example in the Configuration Examples for NetFlow.

To use NAM for monitoring the Cisco Nexus 7000 NetFlow data sources, see the *Cisco Nexus 7000 Series Network Analysis Module (NAM-NX1) Quick Start Guide*.

## High Availability

Cisco NX-OS supports stateful restarts for NetFlow. After a reboot or supervisor switchover, Cisco NX-OS applies the running configuration.

Because the flow cache is not preserved across restarts of the process and packets that come to the software during restarts cannot be processed, all of the flows during switchovers are lost and cannot be recovered.

## Virtualization Support

A virtual device context (VDC) is a logical representation of a set of system resources. Within each VDC, you can configure NetFlow. By default, Cisco NX-OS places you in the default VDC and any flows that you define in this mode are only available for interfaces in the default VDC.

For information about configuring VDCs, see the *Cisco Nexus 7000 Series NX-OS Virtual Device Context Configuration Guide*.

## Licensing Requirements for NetFlow

**Table 38: NetFlow Licensing Requirements**

Product	License Requirement
Cisco NX-OS	NetFlow requires no license. Any feature not included in a license package is bundled with the Cisco NX-OS system images and is provided at no extra charge to you. For a complete explanation of the Cisco NX-OS licensing scheme, see the Cisco NX-OS Licensing Guide.

## Prerequisites for NetFlow

NetFlow has the following prerequisites:

- You must understand the resources required on your device because NetFlow consumes additional memory and CPU resources.
- If you configure VDCs, install the appropriate license and enter the desired VDC. See the *Cisco Nexus 7000 Series NX-OS Virtual Device Context Configuration Guide for configuration information and the Cisco NX-OS Licensing Guide* for licensing information.

## Guidelines and Limitations for NetFlow

NetFlow has the following configuration guidelines and limitations:

- You must configure a source interface for the NDE export. If you do not configure a source interface, the flow exporter will remain in a disabled state.



- You must configure a valid record name for every flow monitor.
- All of the NetFlow timeouts, except the flow timeout, are applicable only to M1 and M2 Series modules. The flow timeout is supported only for F2, F2e, and F3 Series modules. Only active and inactive timeouts are applicable for M3 Series modules.
- A rollback will fail if you try to modify a record that is programmed in the hardware during a rollback.
- Only Layer 2 NetFlow is applied on Layer 2 interfaces, and only Layer 3 NetFlow is applied on Layer 3 interfaces.
- If you add a member to a port channel that is already configured for Layer 2 NetFlow, its NetFlow configuration is removed and the Layer 2 configuration of the port channel is added to it.
- If you change a Layer 2 interface to a Layer 3 interface, the software removes the Layer 2 NetFlow configuration from the interface.
- Use NetFlow v9 export to see the full 32-bit SNMP ifIndex values at the NetFlow connector.
- The maximum number of supported NetFlow entries is 512,000.
- On tunnel interface, NetFlow is not supported, even though its configurable.
- The Cisco Nexus 2000 Series Fabric Extender (FEX) supports a Layer 3 NetFlow configuration on FEX ports.
- The Cisco Nexus 2000 Series FEX supports bridged NetFlow (for flows within a VLAN).
- M1 Series modules support the configuration change from the Version 5 to Version 9 export format, but F2, F2e, and F3 Series modules do not.
- F2, F2e, F3, and M3 Series modules do not support the following changes:
  - Changing the fields in a record that is applied on the active monitor.
  - Changing the sampling mode value on a sampler that is applied on the active monitor.
- Beginning with Cisco NX-OS Release 5.2, NetFlow is supported on switch virtual interfaces (SVIs) for F1 Series ports, if at least one M1 Series module is present. SVI NetFlow is for traffic that is routed between VLANs.
- For M Series modules, if you apply a Layer 3 NetFlow input flow monitor to an SVI and apply a Layer 2 NetFlow input flow monitor to a Layer 2 interface such as a trunk that allows the same underlying VLAN, all input flows into both interfaces are reported by the Layer 2 NetFlow flow monitor only.
- F2, F2e, F3, and M3 Series modules support only sampled NetFlow.
- Beginning with Cisco NX-OS Release 6.1(2), sampled NetFlow is supported on F2 and F2e Series modules.
- Beginning with Cisco NX-OS Release 6.2(6), sampled NetFlow is supported on F3 Series modules.
- Egress NetFlow is not supported on F2, F2e modules, and on any mixed VDC the modules are present in.
- Beginning from Cisco NX-OS Release 7.2(0)D1(1), Egress NetFlow is supported on F3 modules.
- Beginning from Cisco NX-OS Release 7.2(1)D1(1), Sub-interfaces are supported on F2, F2e, and F3 series modules.

- Beginning from Cisco NX-OS Release 7.3(0)DX(1), ingress and egress NetFlow is supported on M3 Series modules.
- By default, you cannot use ingress NetFlow sampling and DHCP relay together on the same interface. However, beginning with Cisco NX-OS Release 6.2(2), you can override the default and configure these two features on the same interface using the **hardware access-list resource feature bank-mapping command**, after you have entered the necessary commands to enable each of these features individually. For more information on this command, see the **Configuring IP ACLs** chapter of the *Cisco Nexus 7000 Series NX-OS Security Configuration Guide*.
- Beginning with Cisco NX-OS Release 6.2(2), full NetFlow is supported on the Cisco NetFlow Generation Appliance (NGA) through SPAN. Sampled NetFlow is supported on the NGA through sampled SPAN.

NetFlow has the following limitations for mixed VDCs with both M1, M2 Series and F2, F2e, F3, and M3 Series modules:

- A VDC is classified as a mixed VDC only when it contains at least one F2e Series port or at least one F3 Series port.
- Layer 2 NetFlow—Sampled and full NetFlow is supported on the M1 and M2 Series module ports, and only sampled NetFlow is supported on the F2e, F3 and M3 Series module ports.
- Layer 3 NetFlow—Sampled and full NetFlow is supported on the M1 and M2 Series module ports. The F2 and F2e Series module ports come up in proxy mode and, therefore, cannot be configured as Layer 3 ports. Thus, Layer 3 NetFlow and subinterface NetFlow do not work with these ports. Sampled NetFlow is supported on F3 and M3 Series module ports.
- VLANs, SVIs, and port channels—Only sampled NetFlow is supported on VLANs, SVIs, and port channels for both the M1 and M2 Series and F2e, F3, and M3 Series modules.
- Subinterfaces (physical/port channels)—NetFlow configuration is supported on the F2, F2e, F3, and M3 Series module interfaces.
- Dynamic configuration change is not available in the mixed VDC for the policies applied on the M1 and M2 Series and F2e, F3, and M3 Series modules.
- Flow timeout applies only to the F2e and F3 Series modules. Other NetFlow timers apply to the M1 and M2 Series modules. Only active and inactive timeouts are applicable for M3 Series modules.
- Egress NetFlow is completely blocked in VDCs that contain both M Series and F2e and F3 Series modules.

Guidelines and Limitations Specific to NetFlow on CoPP Interface Support feature:

- The feature can be configured only on the default VDC.
- Only unicast packets are supported.
- The feature supports capture of Layer 3 NetFlow fields only. Capture of Layer 2 fields are not supported.
- The feature requires mandatory configuration of a sampler.
- After the feature is enabled, it is applied on all the line cards in the system as follows:
  - M1/M2 line cards create sampled flows in the hardware table. The global routing table, with 512,000 entries, is shared with the regular NetFlow.

- F2/F2e line cards create sampled flows in the software table. The limits on the size of packets per second (PPS) per table is shared with the regular NetFlow. An additional 1:100 sampler is also applicable as usual.
- F3 line cards create flows in the software. The limits on the size of PPS per table is shared with the regular NetFlow.
- The feature can be applied only in the egress direction, because the packets egress to the supervisor module.

## Default Settings for NetFlow

The following table lists the default settings for NetFlow parameters.

**Table 39: Default NetFlow Parameters**

Parameters	Default
Egress and ingress cache size	512,000
Flow active timeout	1800 seconds
Flow timeout (for F2, F2e, and F3 Series modules only)	15 seconds
Flow timeout aggressive threshold	Disabled
Flow timeout fast threshold	Disabled
Flow timeout inactive	15 seconds
Flow timeout session aging	Disabled

## Configuring NetFlow

To configure NetFlow, follow these steps:

### Procedure

- 
- Step 1** Enable the NetFlow feature.
  - Step 2** Define a flow record by specifying keys and fields to the flow.
  - Step 3** Define an optional flow exporter by specifying the export format, protocol, destination, and other parameters.
  - Step 4** Define a flow monitor based on the flow record and flow exporter.
  - Step 5** Apply the flow monitor to a source interface, subinterface, VLAN interface.
-

## Enabling the NetFlow Feature

You must globally enable NetFlow before you can configure any flows.

Use the following command in global configuration mode to enable NetFlow:

Command	Purpose
<b>feature netflow</b> Example: <pre>switch(config)# feature netflow</pre>	Enables the NetFlow feature.

Command	Purpose
<b>no feature netflow</b> Example: <pre>switch(config)# no feature netflow</pre>	Disables the NetFlow feature. The default is disabled.

## Creating a Flow Record

You can create a flow record and add keys to match on and nonkey fields to collect in the flow.

### Before you begin

Make sure that you are in the correct VDC. To change the VDC, use the **switchto vdc** command.

### Procedure

	Command or Action	Purpose
<b>Step 1</b>	<b>configure t</b> <b>Example:</b> <pre>switch# config t</pre> Enter configuration commands, one per line. End with CNTL/Z. <pre>switch(config)#</pre>	Enters global configuration mode.
<b>Step 2</b>	<b>flow record <i>name</i></b> <b>Example:</b> <pre>switch(config)# flow record Test</pre> <pre>switch(config-flow-record)#</pre>	Creates a flow record and enters flow record configuration mode. You can enter up to 63 alphanumeric characters for the flow record name.
<b>Step 3</b>	(Optional) <b>description <i>string</i></b> <b>Example:</b> <pre>switch(config-flow-record)# description</pre> <pre>Ipv4Flow</pre>	(Optional) Describes this flow record as a maximum 63-character string.
<b>Step 4</b>	(Optional) <b>match <i>type</i></b>	Specifies a match key.

	Command or Action	Purpose
	<b>Example:</b> <pre>switch(config-flow-record)# match transport destination-port</pre>	<b>Note</b> The <b>match transport destination-port</b> and the <b>match ip protocol</b> commands are required to export Layer 4 port data.
<b>Step 5</b>	<b>collect</b> <i>type</i> <b>Example:</b> <pre>switch(config-flow-record)# collect counter packets</pre>	(Optional) Specifies the collection field.
<b>Step 6</b>	<b>show flow record</b> [ <i>name</i> ] [ <i>record-name</i> ]   <b>netflow-original</b>   <b>netflow protocol-port</b>   <b>netflow</b> { <i>ipv4</i>   <i>ipv6</i> } { <b>original-input</b>   <b>original-output</b> }} <b>Example:</b> <pre>switch(config-flow-exporter)# show flow record netflow protocol-port</pre>	(Optional) Displays information about NetFlow flow records. You can enter up to 63 alphanumeric characters for the flow record name.
<b>Step 7</b>	<b>copy running-config startup-config</b> <b>Example:</b> <pre>switch(config-flow-exporter)# copy running-config startup-config</pre>	(Optional) Saves this configuration change.

## Specifying the Match Parameters

You must configure at least one of the following match parameters for flow records:

Command	Purpose
<b>match ip</b> { <i>protocol</i>   <i>tos</i> } <b>Example:</b> <pre>switch(config-flow-record)# match ip protocol</pre>	Specifies the IP protocol or ToS fields as keys <b>Note</b> The <b>match transport destination-port</b> and the <b>match ip protocol</b> commands are required to export Layer 4 port data. The data is collected and displayed in the output of the <b>show hardware flow ip</b> command but is not collected and exported until you configure both commands.
<b>match ipv4</b> { <i>destination address</i>   <i>source address</i> } <b>Example:</b> <pre>switch(config-flow-record)# match ipv4 destination address</pre>	Specifies the IPv4 source or destination address as a key.

Command	Purpose
<p><b>match ipv6</b> {destination address   source address   flow-label   options }</p> <p><b>Example:</b></p> <pre>switch(config-flow-record)# match ipv6 flow label</pre>	Specifies the IPv6 key.
<p><b>match transport</b> {destination-port   source-port}</p> <p><b>Example:</b></p> <pre>switch(config-flow-record)# match transport destination-port</pre>	<p>Specifies the transport source or destination port as a key.</p> <p><b>Note</b> The <b>match transport destination-port</b> and the <b>match ip protocol</b> commands are required to export Layer 4 port data.</p> <p>The data is collected and displayed in the output of the <b>show hardware flow ip</b> command but is not collected and exported until you configure both commands.</p>
<p><b>match datalink</b> {mac source-address   mac destination-address   ethertype   vlan}</p> <p><b>Example:</b></p> <pre>switch(config-flow-record)# match datalink ethertype</pre>	Specifies the Layer 2 attribute as a key.

## Specifying the Collect Parameters

You must configure at least one of the following collect parameters for flow records:

Command	Purpose
<p><b>collect counter</b> {bytes   packets} [long]</p> <p><b>Example:</b></p> <pre>switch(config-flow-record)# switch(config-flow-record)# collect counter packets</pre>	Collects either packet-based or byte counters from the flow. You can optionally specify that 64-bit counters are used.
<p><b>collect flow sampler id</b></p> <p><b>Example:</b></p> <pre>switch(config-flow-record)# collect flow sampler</pre>	Collects the sampler identifier used for the flow.
<p><b>collect timestamp sys-uptime</b> {first   last}</p> <p><b>Example:</b></p> <pre>switch(config-flow-record)# collect timestamp sys-uptime last</pre>	Collects the system up time for the first or last packet in the flow.

Command	Purpose
<b>collect transport tcp flags</b> <b>Example:</b> <pre>switch(config-flow-record)# collect transport tcp flags</pre>	Collects the TCP transport layer flags for the packets in the flow.
<b>collect ip version</b> <b>Example:</b> <pre>switch(config-flow-record)# collect ip version</pre>	Collects the IP version for the flow.

## Creating a Flow Exporter

The flow exporter configuration defines the export parameters for a flow and specifies reachability information for remote NetFlow collector.

### Procedure

	Command or Action	Purpose
<b>Step 1</b>	<b>configure terminal</b> <b>Example:</b> <pre>switch# configure terminal switch(config)#</pre>	Enters global configuration mode.
<b>Step 2</b>	<b>flow exportername</b> <b>Example:</b> <pre>switch(config)# flow exporter flow-exporter-one</pre>	Creates a flow exporter and enters flow exporter configuration mode. You can enter up to 63 alphanumeric characters for the flow exporter name.
<b>Step 3</b>	<b>destination { ipv4-address   ipv6-address } [use-vrf name ]</b> <b>Example:</b> <pre>switch(config-flow-exporter)# destination 192.0.2.1</pre>	Sets the destination IPv4 or IPv6 address for this flow exporter. You can optionally configure the VRF to use to reach the NetFlow collector. You can enter up to 32 alphanumeric characters for the VRF name.
<b>Step 4</b>	<b>source interface-type name/port</b> <b>Example:</b> <pre>switch(config-flow-exporter)# source ethernet 2/1</pre>	Specifies the interface to use to reach the NetFlow collector at the configured destination.
<b>Step 5</b>	(Optional) <b>description string</b> <b>Example:</b> <pre>switch(config-flow-exporter)# description exportversion9</pre>	(Optional) Describes this flow exporter. You can enter up to 63 alphanumeric characters for the description.
<b>Step 6</b>	(Optional) <b>dscp value</b> <b>Example:</b>	(Optional) Specifies the differentiated services codepoint value. The range is from 0 to 63.

	Command or Action	Purpose
	<code>switch(config-flow-exporter)# dscp 0</code>	
<b>Step 7</b>	(Optional) <b>transport udp port</b>  <b>Example:</b> <code>switch(config-flow-exporter)# transport udp 200</code>	(Optional) Specifies the UDP port to use to reach the NetFlow collector. The range is from 0 to 65535.  <b>Note</b> If you do not specify the UDP port, 9995 is selected as the default.
<b>Step 8</b>	<b>version {5   9}</b>  <b>Example:</b> <code>switch(config-flow-exporter)# version 9</code>	Specifies the NetFlow export version. Choose version 9 to enter the flow exporter version 9 configuration submenu.
<b>Step 9</b>	(Optional) <b>option {exporter-stats   interface-table   sampler-table} timeout seconds</b>  <b>Example:</b> <code>switch(config-flow-exporter-version-9)# option exporter-stats timeout 1200</code>	Sets the flow exporter statistics resend timer. The range is from 1 to 86400 seconds.
<b>Step 10</b>	(Optional) <b>template data timeout seconds</b>  <b>Example:</b> <code>switch(config-flow-exporter-version-9)# template data timeout 1200</code>	Sets the template data resend timer. The range is from 1 to 86400 seconds.
<b>Step 11</b>	<b>exit</b>  <b>Example:</b> <code>switch(config-flow-exporter-version-9)# exit</code>	Returns to flow exporter configuration mode.
<b>Step 12</b>	<b>exit</b>  <b>Example:</b> <code>switch(config-flow-exporter)# exit</code>	Returns to global configuration mode.
<b>Step 13</b>	(Optional) <b>copy running-config startup-config</b>  <b>Example:</b> <code>switch(config)# copy running-config startup-config</code>	Saves the change persistently through reboots and restarts by copying the running configuration to the startup configuration.

## Creating a Flow Monitor

You can create a flow monitor and associate it with a flow record and a flow exporter. All the flows that belong to a monitor use the associated flow record to match on the different fields and the data is exported to the specified flow exporter.



## Procedure

	Command or Action	Purpose
<b>Step 1</b>	<b>configure terminal</b> <b>Example:</b> switch# configure terminal switch(config)#	Enters global configuration mode.
<b>Step 2</b>	<b>flow monitor</b> <i>name</i> <b>Example:</b> switch(config)# flow monitor flow-monitor-one	Creates a flow monitor and enters flow monitor configuration mode. You can enter up to 63 alphanumeric characters for the flow monitor name.
<b>Step 3</b>	(Optional) <b>description</b> <i>string</i> <b>Example:</b> switch(config-flow-monitor)# description IPv4Monitor	Describes this flow monitor. You can enter up to 63 alphanumeric characters for the description.
<b>Step 4</b>	(Optional) <b>exporter</b> <i>name</i> <b>Example:</b> switch(config-flow-monitor)# export v9	Associates a flow exporter with this flow monitor. You can enter up to 63 alphanumeric characters for the exporter name.
<b>Step 5</b>	<b>record</b> { <i>name</i> <b>netflow-original</b>   <b>netflow protocol-port</b>   <b>netflow {ipv4   ipv6}</b> { <b>original-input</b>   <b>original-output</b> }} <b>Example:</b> switch(config-flow-monitor)# record IPv4Flow	Associates a flow record with the specified flow monitor. You can enter up to 63 alphanumeric characters for the record name.
<b>Step 6</b>	<b>exit</b> <b>Example:</b> switch(config-flow-monitor)# exit	Returns to global configuration mode.
<b>Step 7</b>	(Optional) <b>copy running-config startup-config</b> <b>Example:</b> switch(config)# copy running-config startup-config	Saves the change persistently through reboots and restarts by copying the running configuration to the startup configuration.

## Creating a Sampler

You can create a flow sampler to define the NetFlow sampling rate for a flow.

**Procedure**

	<b>Command or Action</b>	<b>Purpose</b>
<b>Step 1</b>	<b>configure terminal</b> <b>Example:</b> switch# configure terminal switch(config)#	Enters global configuration mode.
<b>Step 2</b>	<b>sampler <i>name</i></b> <b>Example:</b> switch(config)# sampler testsampler	Creates a sampler and enters flow sampler configuration mode. You can enter up to 63 alphanumeric characters for the flow sampler name.
<b>Step 3</b>	(Optional) <b>description <i>string</i></b> <b>Example:</b> switch(config-flow-sampler)# description samples	(Optional) Describes this sampler. You can enter up to 63 alphanumeric characters for the description.
<b>Step 4</b>	<b>mode <i>sample-number out-of packet-number</i></b> <b>Example:</b> switch(config-flow-sampler)# mode 1 out-of 128	Defines the number of samples to take per the number of packets received. The sample-number range is from 1 to 64, and the packet-number range is from 1 to 65536 packets.
<b>Step 5</b>	<b>exit</b> <b>Example:</b> switch(config-flow-sampler)# exit	Returns to global configuration mode.
<b>Step 6</b>	(Optional) <b>copy running-config startup-config</b> <b>Example:</b> switch(config)# copy running-config startup-config	Saves the change persistently through reboots and restarts by copying the running configuration to the startup configuration.

## Applying a Flow Monitor to an Interface



**Note** You can not apply a flow monitor to an egress interface, only ingress Netflow is supported.

**Procedure**

	<b>Command or Action</b>	<b>Purpose</b>
<b>Step 1</b>	<b>configure terminal</b> <b>Example:</b> switch# configure terminal switch(config)#	Enters global configuration mode.

	Command or Action	Purpose
<b>Step 2</b>	<b>interface</b> <i>interface-type slot/port</i> <b>Example:</b> switch(config)# interface ethernet 2/1	Enters interface configuration mode. The interface type can be Ethernet (including subinterfaces), port channel, or VLAN interface.
<b>Step 3</b>	<b>ip flow monitor</b> <i>name input sampler name</i> <b>Example:</b> switch(config-if)# ip flow monitor testmonitor input sampler testsampler	Associates an IPv4 flow monitor and a sampler to the interface for input packets. You can enter up to 63 alphanumeric characters for the flow monitor name and the sampler name.
<b>Step 4</b>	<b>ipv6 flow monitor</b> <i>name input sampler name</i> <b>Example:</b> switch(config-if)# ipv6 flow monitor testmonitorv6 input sampler testsamplerv6	Associates an IPv6 flow monitor and a sampler to the interface for input packets. You can enter up to 63 alphanumeric characters for the flow monitor name and the sampler name.
<b>Step 5</b>	<b>layer2-switched flow monitor</b> <i>name input sampler name</i> <b>Example:</b> switch(config-if)# layer2-switched flow monitor testmonitorl2 input sampler testsamplerl2	Associates a Layer 2-switched flow monitor and a sampler to the interface for input packets. You can enter up to 63 alphanumeric characters for the flow monitor name and the sampler name.
<b>Step 6</b>	<b>exit</b> <b>Example:</b> switch(config-if)# exit	Returns to global configuration mode.
<b>Step 7</b>	(Optional) <b>copy running-config startup-config</b> <b>Example:</b> switch(config)# copy running-config startup-config	Saves the change persistently through reboots and restarts by copying the running configuration to the startup configuration.

## Configuring Netflow on CoPP Interface Support

You can create a flow record and add keys to match on and nonkey fields to collect in the flow.

### Before you begin

Perform the following configuration on the default VDC.

### Procedure

- 
- Step 1** Enter global configuration mode:
- ```
switch# configure terminal
```
- Step 2** Enter control-plane configuration mode. Enable users to associate attributes that are associated with the control plane of the device:

```
switch(config)# control-plane
```

- Step 3** Associate an IPv4 flow monitor and a sampler to the control-plane for output packets. You can enter up to 63 alphanumeric characters for the flow monitor name and the sampler name:

```
switch(config-cp)# ip flow monitor name output sampler name
```

### What to do next

You must perform the following tasks to complete configuring Netflow on COPP Interface Support feature:

[Creating a Flow Record, on page 374](#)

Creating a Flow Monitor

[Creating a Sampler, on page 379](#)

## Configuring Bridged NetFlow on a VLAN

You can apply a flow monitor and a sampler to a VLAN.

### Procedure

|               | Command or Action                                                                                                                                                                      | Purpose                                                                                                                                                                                                                                               |
|---------------|----------------------------------------------------------------------------------------------------------------------------------------------------------------------------------------|-------------------------------------------------------------------------------------------------------------------------------------------------------------------------------------------------------------------------------------------------------|
| <b>Step 1</b> | <b>configure terminal</b><br><b>Example:</b><br><pre>switch# configure terminal switch(config)#</pre>                                                                                  | Enters global configuration mode.                                                                                                                                                                                                                     |
| <b>Step 2</b> | <b>vlan configuration <i>vlan-id</i></b><br><b>Example:</b><br><pre>switch(config)# vlan configuration 30</pre>                                                                        | Enters VLAN configuration mode. The <i>vlan-id</i> range is from 1 to 3967 or from 4048 to 4093.<br><br><b>Note</b> VLAN configuration mode enables you to configure VLANs independently of their creation, which is required for VTP client support. |
| <b>Step 3</b> | <b>{ip ipv6} flow monitor <i>name</i> input sampler <i>name</i></b><br><b>Example:</b><br><pre>switch(config-vlan-config)# ip flow monitor testmonitor input sampler testsampler</pre> | Associates a flow monitor and a sampler to the VLAN for input packets. You can enter up to 63 alphanumeric characters for the flow monitor name and the sampler name.                                                                                 |
| <b>Step 4</b> | <b>exit</b><br><b>Example:</b><br><pre>switch(config-vlan-config)# exit</pre>                                                                                                          | Returns to global configuration mode.                                                                                                                                                                                                                 |

|               | Command or Action                                                                                                                            | Purpose                                                                                                                       |
|---------------|----------------------------------------------------------------------------------------------------------------------------------------------|-------------------------------------------------------------------------------------------------------------------------------|
| <b>Step 5</b> | (Optional) <b>copy running-config startup-config</b><br><br><b>Example:</b><br><pre>switch(config)# copy running-config startup-config</pre> | Saves the change persistently through reboots and restarts by copying the running configuration to the startup configuration. |

## Configuring Layer 2 NetFlow

You can define Layer 2 keys in flexible NetFlow records that you can use to capture flows in Layer 2 interfaces. The Layer 2 keys are as follows:

- Source and destination MAC addresses
- Source VLAN ID
- EtherType from the Ethernet frame

You can apply Layer 2 NetFlow to the following interfaces for the ingress direction:

- Switch ports in access mode
- Switch ports in trunk mode
- Layer 2 port channels



**Note** You cannot apply Layer 2 NetFlow to VLANs, egress interfaces, or Layer 3 interfaces such as VLAN interfaces.

### Before you begin

Make sure that you are in the correct VDC. To change the VDC, use the **switchto vdc** command.

### Procedure

|               | Command or Action                                                                                                                               | Purpose                                                                                                                                                 |
|---------------|-------------------------------------------------------------------------------------------------------------------------------------------------|---------------------------------------------------------------------------------------------------------------------------------------------------------|
| <b>Step 1</b> | <b>configure t</b><br><br><b>Example:</b><br><pre>switch# configure terminal</pre> Enter configuration commands, one per line. End with CNTL/Z. | Enters global configuration mode.                                                                                                                       |
| <b>Step 2</b> | Required: <b>flow record name</b><br><br><b>Example:</b><br><pre>switch(config)# flow record L2_record</pre>                                    | Enters flow record configuration mode. For more information about configuring flow records, see the " <a href="#">Creating a Flow Record</a> " section. |
| <b>Step 3</b> | Required: <b>match datalink {mac source-address   mac destination-address   ethertype   vlan}</b>                                               | Specifies the Layer 2 attribute as a key.                                                                                                               |

|               | Command or Action                                                                                                                                                                                                                         | Purpose                                                                                                                                                                                                                                           |
|---------------|-------------------------------------------------------------------------------------------------------------------------------------------------------------------------------------------------------------------------------------------|---------------------------------------------------------------------------------------------------------------------------------------------------------------------------------------------------------------------------------------------------|
|               | <b>Example:</b><br><pre>switch(config-flow-record)# match datalink ethertype</pre>                                                                                                                                                        |                                                                                                                                                                                                                                                   |
| <b>Step 4</b> | Required: <b>interface</b> { <i>ethernet slotport</i> }   { <i>port-channel number</i> }<br><b>Example:</b><br><pre>switch(config-flow-record)# interface Ethernet 6/3</pre>                                                              | Enters interface configuration mode. The interface type can be a physical Ethernet port or a port channel.                                                                                                                                        |
| <b>Step 5</b> | Required: <b>switchport</b><br><b>Example:</b><br><pre>switch(config-if)# switchport</pre>                                                                                                                                                | Changes the interface to a Layer 2 physical interface. For information about configuring switch ports, see the <i>Cisco Nexus 7000 Series NX-OS Layer 2 Switching Configuration Guide</i> .                                                       |
| <b>Step 6</b> | Required: <b>mac packet-classify</b><br><b>Example:</b><br><pre>switch(config-if)# mac packet-classify</pre>                                                                                                                              | Forces MAC classification of packets.<br>For more information about using the mac packet-classify command, see the <i>Cisco Nexus 7000 Series NX-OS Security Configuration Guide</i> .<br><b>Note</b> You must use this command to capture flows. |
| <b>Step 7</b> | Required: <b>layer2-switched flow monitor</b> <i>flow-name</i> <b>input</b> [ <b>sampler</b> <i>sampler-name</i> ]<br><b>Example:</b><br><pre>switch(config-vlan)# layer2-switched flow monitor L2_monitor input sampler L2_sampler</pre> | Associates a flow monitor and an optional sampler to the switch port input packets. <ul style="list-style-type: none"> <li>You can enter up to 63 alphanumeric characters for the flow monitor name and the sampler name.</li> </ul>              |
| <b>Step 8</b> | Required: <b>show flow record netflow layer2-switched input</b><br><b>Example:</b><br><pre>switch(config-if# show flow record netflow layer2-switched input</pre>                                                                         | (Optional) Displays information about the Layer 2 NetFlow default record.                                                                                                                                                                         |
| <b>Step 9</b> | Required: <b>copy running-config startup-config</b><br><b>Example:</b><br><pre>switch(config-vlan)# copy running-config startup-config</pre>                                                                                              | (Optional) Saves this configuration change.                                                                                                                                                                                                       |

## Configuring NetFlow Timeouts

You can optionally configure global NetFlow timeouts that apply to all flows in the system.

**Procedure**

|               | <b>Command or Action</b>                                                                                                      | <b>Purpose</b>                                                                                                                |
|---------------|-------------------------------------------------------------------------------------------------------------------------------|-------------------------------------------------------------------------------------------------------------------------------|
| <b>Step 1</b> | <b>configure terminal</b><br><b>Example:</b><br>switch# configure terminal<br>switch(config)#                                 | Enters global configuration mode.                                                                                             |
| <b>Step 2</b> | <b>flow timeoutseconds</b><br><b>Example:</b><br>switch(config)# flow timeout 30                                              | Sets the flush timeout value in seconds. The range is from 5 to 60 seconds.                                                   |
| <b>Step 3</b> | (Optional) <b>copy running-config startup-config</b><br><b>Example:</b><br>switch(config)# copy running-config startup-config | Saves the change persistently through reboots and restarts by copying the running configuration to the startup configuration. |

## Verifying the NetFlow Configuration

To display the NetFlow configuration, perform one of the following tasks:

| <b>Command</b>                                               | <b>Purpose</b>                                                                                                                               |
|--------------------------------------------------------------|----------------------------------------------------------------------------------------------------------------------------------------------|
| <b>show flow exporter</b> <i>[name]</i>                      | Displays information about NetFlow flow exporters and statistics. You can enter up to 63 alphanumeric characters for the flow exporter name. |
| <b>show flow interface</b> <i>[interface-type slot/port]</i> | Displays information about NetFlow interfaces.                                                                                               |
| <b>show flow record</b> <i>[name]</i>                        | Displays information about NetFlow flow records. You can enter up to 63 alphanumeric characters for the flow record name.                    |
| <b>show flow record netflow layer2-switched input</b>        | Displays information about the Layer 2 NetFlow configuration.                                                                                |
| <b>show flow timeout</b>                                     | Displays information about NetFlow timeouts.                                                                                                 |
| <b>show sampler</b> <i>[name]</i>                            | Displays information about NetFlow samplers. You can enter up to 63 alphanumeric characters for the sampler name.                            |
| <b>show hardware ip flow</b>                                 | Displays information about NetFlow hardware IP flows.                                                                                        |
| <b>show running-config netflow</b>                           | Displays the NetFlow configuration that is currently on your device.                                                                         |

# Monitoring NetFlow

Use the **show flow exporter** command to display NetFlow statistics. Use the **clear flow exporter** command to clear NetFlow flow exporter statistics.

## Configuration Examples for NetFlow

This example shows how to configure a NetFlow exporter configuration for IPv4 :

```
feature netflow
flow exporter ee
  version 9
flow record rr
  match ipv4 source address
  match ipv4 destination address
  collect counter bytes
  collect counter packets
flow monitor foo
  record rr
  exporter ee
interface Ethernet2/45
  ip flow monitor foo input
  ip address 10.20.1.1/24
  no shutdown
```

This example shows a NetFlow exporter configuration for IPv4 from the Cisco Nexus 7000 Series switch to NAM:

```
flow exporter pw
  destination 172.20.101.87 use-vrf management
  transport udp 3000
  source mgmt0
  version 9

flow record pw
  match ipv4 source address
  match ipv4 destination address
  match ip protocol
  match ip tos
  match transport source-port
  match transport destination-port
  collect counter bytes long
  collect counter packets long
  collect timestamp sys-uptime first
  collect timestamp sys-uptime last
  collect ip version

flow monitor pw
  record pw
  exporter pw

interface Ethernet2/9
  ip flow monitor pw input
  ip flow monitor pw output
```



# Verification Examples for NetFlow CoPP Interface Support

## Sample Output for the show hardware flow ip Command

```
switch(config-if)# show hardware flow ip

D - Direction; L4 Info - Protocol:Source Port:Destination Port
IF - Interface: (Eth)ernet, (S)vi, (V)lan, (P)ortchannel, (T)unnel
TCP Flags: Ack, Flush, Push, Reset, Syn, Urgent

D  IF          SrcAddr          DstAddr          L4 Info          PktCnt          TCP Fl
---+-----+-----+-----+-----+-----+-----
CP sup-eth1   010.014.014.002  010.014.014.001  001:00000:00000  0000000021  .....
```

## Sample Output for the show running-configuration netflow Command

```
switch# show running-configuration netflow

version 7.3(0)D1(1)

feature netflow

flow timeout active 60
flow exporter expl
  destination 10.76.80.132 use-vrf management
  transport udp 9995
  source mgmt0
  version 9
  template data timeout 5
  option sampler-table timeout 8
sampler s3
  mode 2 out-of 3
flow monitor M2
  record netflow ipv4 original-input
  exporter expl
control-plane
  ip flow monitor M2 output sampler s3
```

## Related Documents

| Related Topic                            | Related Topic                                                                   |
|------------------------------------------|---------------------------------------------------------------------------------|
| NetFlow CLI commands                     | <i>Cisco Nexus 7000 Series NX-OS System Management Command Reference</i>        |
| VDCs and VRFs                            | <i>Cisco Nexus 7000 Series NX-OS Virtual Device Context Configuration Guide</i> |
| Cisco Network Analysis Module (NAM)      | <i>Cisco Network Analysis Module (NAM) for Nexus 7000 Quick Start Guide</i>     |
| Cisco NetFlow Generation Appliance (NGA) | <i>Cisco Nexus 7000 Series NX-OS Virtual Device Context Configuration Guide</i> |

## Feature History for NetFlow

The table below summarizes the new and changed features for this document and shows the releases in which each feature is supported. Your software release might not support all the features in this document. For the latest caveats and feature information, see the Bug Search Tool at <https://tools.cisco.com/bugsearch/> and the release notes for your software release.

**Table 40: Feature History for NetFlow**

| Feature Name | Releases    | Feature Information                                                                                                       |
|--------------|-------------|---------------------------------------------------------------------------------------------------------------------------|
| NetFlow      | 7.3(2)D1(2) | The first switched and the last switched sizes are changed to 8 bytes (from 4 bytes).                                     |
| NetFlow      | 7.3(0)DX(1) | Added support for NetFlow on M3 Series modules.                                                                           |
| NetFlow      | 7.3(0)D1(1) | Added Netflow on CoPP Interface support.                                                                                  |
| NetFlow      | 7.2(0)D1(1) | Enhanced the F3 Series module packet processing rate to 50000 pps.                                                        |
| NetFlow      | 6.2(6)      | Added support for F3 Series modules.                                                                                      |
| NetFlow      | 6.2(2)      | Added support for ingress NetFlow sampling and DHCPrelay to be configured on the same interface.                          |
| NetFlow      | 6.2(2)      | Added NAM support for NetFlow data sources.                                                                               |
| NetFlow      | 6.2(2)      | Added support for full NetFlow and sampled NetFlow on the Cisco NetFlow Generation Appliance (NGA).                       |
| NetFlow      | 6.1(2)      | Added support for sampled NetFlow on F2 Series and F2eSeries modules.                                                     |
| NetFlow      | 6.1(2)      | Added the flow timeout seconds command for F2 Series and F2e Series modules.                                              |
| NetFlow      | 6.0(1)      | NetFlow is not supported on F2 Series modules.                                                                            |
| NetFlow      | 6.0(1)      | Added support for the collect routing forwarding-status command to trigger the collection of flows denied by ACL entries. |

|                         |        |                                                                                                                                                         |
|-------------------------|--------|---------------------------------------------------------------------------------------------------------------------------------------------------------|
| NetFlow                 | 5.2(1) | NetFlow is supported on switch virtual interfaces (SVIs) for F1 Series ports.                                                                           |
| Bridged NetFlow         | 5.1(1) | VLAN configuration mode, which enables you to configure VLANs independently of their creation, is supported when configuring bridged NetFlow on a VLAN. |
| NetFlow verification    | 5.0(2) | You can specify the NetFlow instance for which you want to display NetFlow IPv4 flows and NetFlow table utilization.                                    |
| Layer 2 NetFlow         | 4.2(1) | You can define Layer 2 keys in flexible NetFlow records that you can use to capture flows in Layer 2 interfaces.                                        |
| Rollback during NetFlow | 4.1(3) | Rollback fails for NetFlow if, during rollback, you try to modify a record that is programmed in the hardware.                                          |





# CHAPTER 21

## Configuring EEE

This chapter describes how to configure Energy Efficient Ethernet (EEE) on Cisco NX-OS devices.

- [Finding Feature Information, on page 391](#)
- [Information About EEE, on page 391](#)
- [Virtualization Support, on page 392](#)
- [Licensing Requirements for EEE, on page 392](#)
- [Prerequisites for EEE, on page 392](#)
- [Guidelines and Limitations, on page 392](#)
- [Default Settings, on page 393](#)
- [Configuring EEE, on page 393](#)
- [Verifying the EEE Configuration, on page 394](#)
- [Configuration Examples for EEE, on page 395](#)
- [Related Documents, on page 396](#)
- [Feature History for EEE, on page 396](#)

## Finding Feature Information

Your software release might not support all the features documented in this module. For the latest caveats and feature information, see the Bug Search Tool at <https://tools.cisco.com/bugsearch> and the release notes for your software release. To find information about the features documented in this module, and to see a list of the releases in which each feature is supported, see the “New and Changed Information” chapter or the Feature History table.

## Information About EEE

### EEE

Energy Efficient Ethernet (EEE) is an IEEE 802.3az standard that is designed to reduce power consumption in Ethernet networks during idle periods. EEE can be enabled on devices that support low power idle (LPI) mode. Such devices can save power by entering LPI mode during periods of low utilization. In LPI mode, systems on both ends of the link can save power by shutting down certain services. EEE provides the protocol needed to transition into and out of LPI mode in a way that is transparent to upper layer protocols and applications.

## EEE LPI Sleep Threshold

The EEE LPI sleep threshold specifies how long an interface should wait to go to sleep after detecting an idle state. You can configure the threshold to be aggressive or nonaggressive.

## EEE Latency

The EEE latency specifies the EEE delay that is added to your traffic. The default value is a constant latency of 6 microseconds.

## Virtualization Support

By default, Cisco NX-OS places you in the default virtual device context (VDC) unless you specifically configure another VDC. For more information about VDCs, see the *Cisco Nexus 7000 Series NX-OS Virtual Device Context Configuration Guide*.

## Licensing Requirements for EEE

| Product     | License Requirement                                                                                                                                                                                                                                                          |
|-------------|------------------------------------------------------------------------------------------------------------------------------------------------------------------------------------------------------------------------------------------------------------------------------|
| Cisco NX-OS | EEE requires no license. Any feature not included in a license package is bundled with the Cisco NX-OS system images and is provided at no extra charge to you. For a complete explanation of the Cisco NX-OS licensing scheme, see the <i>Cisco NX-OS Licensing Guide</i> . |

## Prerequisites for EEE

EEE has the following prerequisites:

- To configure VDCs, you must install the appropriate license. See the *Cisco Nexus 7000 Series NX-OS Virtual Device Context Configuration Guide* for configuration information and the *Cisco NX-OS Licensing Guide* for licensing information.

## Guidelines and Limitations

Guidelines and Limitations:

- Only F2e (enhanced) copper port modules support EEE. F2e fiber port modules do not support EEE
- EEE is supported only for 10-Gigabit link speeds. It is not supported for 1-Gigabit link speeds.
- Changing the EEE configuration resets the interface because the device has to restart Layer 1 autonegotiation.

- You might want to enable the Link Layer Discovery Protocol (LLDP) for devices that require longer wakeup times before they are able to accept data on their receive paths. Doing so enables the device to negotiate for extended system wakeup times from the transmitting link partner.

## Default Settings

Lists the default settings for EEE parameters.

**Table 41: Default EEE Parameters**

| Parameters              | Default        |
|-------------------------|----------------|
| EEE                     | Disabled       |
| EEE LPI sleep threshold | Nonaggressive  |
| EEE latency             | 6 microseconds |

## Configuring EEE

This section includes the following topics:

- Enabling or Disabling EEE
- Configuring the EEE LPI Sleep Threshold

## Enabling or Disabling EEE

You can enable or disable EEE on an interface that is connected to an EEE-capable link partner.

### Before you begin

Make sure that you are in the correct VDC. To change the VDC, use the **switchto vdc** command.

### Procedure

|               | Command or Action                                                      | Purpose                                                                                                                                     |
|---------------|------------------------------------------------------------------------|---------------------------------------------------------------------------------------------------------------------------------------------|
| <b>Step 1</b> | switch# <b>configure terminal</b>                                      | Places you in global configuration mode.                                                                                                    |
| <b>Step 2</b> | switch(config)# <b>interface ethernet slot/port</b>                    | Enters global configuration mode.                                                                                                           |
| <b>Step 3</b> | switch(config-if)# <b>[no] power efficient-ethernet auto</b>           | Enables or disables EEE on the specified interface. When EEE is enabled, the device advertises and auto negotiates EEE to its link partner. |
| <b>Step 4</b> | (Optional) switch(config-if)# <b>show interface ethernet slot/port</b> | Displays the EEE status on the interface.                                                                                                   |

|               | Command or Action                                                    | Purpose                                                                                                                       |
|---------------|----------------------------------------------------------------------|-------------------------------------------------------------------------------------------------------------------------------|
| <b>Step 5</b> | (Optional) switch(config)# <b>copy running-config startup-config</b> | Saves the change persistently through reboots and restarts by copying the running configuration to the startup configuration. |

## Configuring the EEE LPI Sleep Threshold

You can configure the EEE LPI sleep threshold on an interface to specify how aggressively you want it to go to sleep.

### Before you begin

Make sure that you are in the correct VDC. To change the VDC, use the **switchto vdc** command.

### Procedure

|               | Command or Action                                                                  | Purpose                                                                                                                                                                                                                                                                                                                                                                                                                          |
|---------------|------------------------------------------------------------------------------------|----------------------------------------------------------------------------------------------------------------------------------------------------------------------------------------------------------------------------------------------------------------------------------------------------------------------------------------------------------------------------------------------------------------------------------|
| <b>Step 1</b> | switch# <b>configure terminal</b>                                                  | Places you in global configuration mode.                                                                                                                                                                                                                                                                                                                                                                                         |
| <b>Step 2</b> | switch(config)# <b>interface ethernet slot/port</b>                                | Enters global configuration mode.                                                                                                                                                                                                                                                                                                                                                                                                |
| <b>Step 3</b> | switch(config-if)# <b>[no] power efficient-ethernet sleep threshold aggressive</b> | Configures the EEE LPI sleep threshold on the interface to be aggressive or nonaggressive. The no form of this command enables the nonaggressive threshold. <ul style="list-style-type: none"> <li>• Aggressive—Causes the device to enter LPI mode after 20 microseconds of detecting an idle state.</li> <li>• Nonaggressive—Causes the device to enter LPI mode after 600 microseconds of detecting an idle state.</li> </ul> |
| <b>Step 4</b> | (Optional) switch(config)# <b>copy running-config startup-config</b>               | Saves the change persistently through reboots and restarts by copying the running configuration to the startup configuration.                                                                                                                                                                                                                                                                                                    |

## Verifying the EEE Configuration

To display the EEE configuration, perform one of the following tasks:

**Table 42: EEE on an Ethernet interface**

| Command                              | Purpose                           |
|--------------------------------------|-----------------------------------|
| <b>show environment power detail</b> | Displays the current power usage. |



|                                                                   |                                                                                                                                                                                                                                                                                                                                                                                                                                                                                                                                                                                                                                                                                                                                          |
|-------------------------------------------------------------------|------------------------------------------------------------------------------------------------------------------------------------------------------------------------------------------------------------------------------------------------------------------------------------------------------------------------------------------------------------------------------------------------------------------------------------------------------------------------------------------------------------------------------------------------------------------------------------------------------------------------------------------------------------------------------------------------------------------------------------------|
| <b>show interface ethernet <i>slot/port</i></b>                   | <p>Displays the EEE status on the interface. The options are as follows:</p> <ul style="list-style-type: none"> <li>• N/A—The interface is not capable of EEE.</li> <li>• Disabled—EEE is disabled on this interface.</li> <li>• Disagreed—EEE autonegotiation with the link partner has failed</li> <li>• Operational—EEE is enabled and operational on this interface.</li> </ul>                                                                                                                                                                                                                                                                                                                                                      |
| <b>show interface ethernet <i>slot/port</i> capabilities</b>      | Displays whether the interface is EEE capable.                                                                                                                                                                                                                                                                                                                                                                                                                                                                                                                                                                                                                                                                                           |
| <b>show interface ethernet <i>slot/port</i> counters detailed</b> | <p>Displays the following EEE statistics on the interface:</p> <ul style="list-style-type: none"> <li>• Tx LPI uses—The amount of time (in microseconds) that the transmitting link partner waits before it starts transmitting data after leaving LPI mode.</li> <li>• Rx LPI uses—The amount of time (in microseconds) that the receiving link partner requests that the transmitting link partner wait before transmitting data after leaving LPI mode.</li> <li>• Tx LPI requests—The number of times that the transmitting link partner makes a request to enter LPI mode.</li> <li>• Rx LPI indications—The number of times the receiving link partner detects that the transmitting link partner has entered LPI mode.</li> </ul> |

## Configuration Examples for EEE

### Example

This example shows how to enable EEE on an Ethernet interface:

```
switch# config t
switch(config)# interface ethernet 7/1
switch(config-if)# power efficient-ethernet auto
switch(config-if)# power efficient-ethernet sleep threshold aggressive
switch(config-if)# show interface ethernet 7/1
Ethernet7/1 is up
EEE(efficient-ethernet): Operational
```

## Related Documents

| Related Topic    | Document Title                                                                  |
|------------------|---------------------------------------------------------------------------------|
| EEE CLI commands | <i>Cisco Nexus 7000 Series NX-OS System Management Command Reference</i>        |
| VDCs             | <i>Cisco Nexus 7000 Series NX-OS Virtual Device Context Configuration Guide</i> |

## Feature History for EEE

The table below summarizes the new and changed features for this document and shows the releases in which each feature is supported. Your software release might not support all the features in this document. For the latest caveats and feature information, see the Bug Search Tool at <https://tools.cisco.com/bugsearch/> and the release notes for your software release.

**Table 43: Feature History for EEE**

| Feature Name | Releases | Feature Information          |
|--------------|----------|------------------------------|
| EEE          | 6.1(2)   | This feature was introduced. |



## CHAPTER 22

# Configuring GIR (Cisco NX-OS Release 7.3(0)D1(1) and later releases)

---

This chapter includes the following sections:

- [Information About GIR, on page 397](#)
- [Guidelines and Limitations for GIR, on page 403](#)
- [Configuring Custom Maintenance Mode and Custom Normal Mode Profile, on page 403](#)
- [Creating a Snapshot, on page 405](#)
- [Adding Show Commands to Snapshots, on page 406](#)
- [Dumping Snapshot Sections, on page 408](#)
- [Entering Maintenance Mode, on page 409](#)
- [Returning to Normal Mode, on page 414](#)
- [Deleting a Maintenance Profile, on page 417](#)
- [Configuration Examples for GIR, on page 417](#)
- [Verifying GIR, on page 425](#)
- [Feature History for GIR, on page 427](#)

## Information About GIR

You can use Graceful Insertion and Removal (GIR) to put a switch in maintenance mode in order to perform debugging or an upgrade. When switch maintenance is complete, you can return the switch to normal mode.

When you place the switch in maintenance mode, all protocols are isolated from the network. When normal mode is restored, all the protocols are brought back up.

In Cisco NX-OS 7.2(0)D1(1) release, the default mode for GIR is “**shutdown**”. When you place the switch in maintenance mode, all protocols are gracefully brought down and all physical ports are shut down. When normal mode is restored, all the protocols and ports are brought back up. The following protocols are supported:

- Border Gateway Protocol (BGP)
- BGPv6
- Enhanced Interior Gateway Routing Protocol (EIGRP)
- EIGRPv6
- Intermediate System-to-Intermediate System (ISIS)

- ISISv6
- Open Shortest Path First (OSPF)
- OSPFv3
- RIP

Also supported are:

- Virtual port channel (vPC) switches



---

**Note** GIR is not supported on vPC+ switches.

---

- Interfaces
- FabricPath

Starting with Cisco NX-OS Release 7.3(0)D1(1), the default mode for GIR is “**isolate**”. Use the **system mode maintenance** command to put all the enabled protocols in maintenance mode. The switch will use the **isolate** command to isolate the protocols from the network. The switch will then be isolated from the network but is not shut down. Routing protocols will be running on the switch to maintain neighborhood with peer switches when it is isolated from the network. The **isolate** command is applied on the protocol instance and is applicable for the following protocols:

- Border Gateway Protocol (BGP)
- BGPv6
- Enhanced Interior Gateway Routing Protocol (EIGRP)
- EIGRPv6
- Intermediate System-to-Intermediate System (ISIS)
- ISISv6
- Open Shortest Path First (OSPF)
- OSPFv3
- FabricPath (Only applicable for Spine switches)

**Note**

- You can use the **system mode maintenance shutdown** command to use the "shutdown" mode for GIR as in the Cisco NX-OS Release 7.2(0)D1(1).
- When you cold boot a switch that has custom profile configured and is running a Cisco NX-OS Release 7.3(1)D1(1) image to any other Cisco NX-OS Release that does not support maintenance mode, the same configuration file cannot be used after write-erase reload.
- In normal mode, the processing of protocols will happen in an order that is the reverse of the order in which the protocols are processed in maintenance mode. Similarly, in maintenance mode, the processing of protocols will happen in an order that is the reverse of the order in which the protocols are processed in normal mode.
- A syslog message is generated when the switch moves to maintenance mode from normal mode and vice-versa.

## Maintenance Profile

Maintenance profile contains a set of commands that will be applied sequentially during graceful removal or graceful insertion.

By default, the system isolates all enabled protocols during graceful removal and restores them during graceful insertion. The protocols are isolated and restored in a predefined order.

The switch supports the following profiles:

- Maintenance-mode profile—Contains all the commands that will be executed during graceful removal, when the switch enters maintenance mode.
- Normal-mode profile—Contains all the commands that will be executed during graceful insertion, when the switch returns to normal mode.

### System-generated Profile

You can allow the system to generate a maintenance-mode or normal-mode profile with specific configuration commands. The system generates a maintenance-mode profile when you use the **system mode maintenance** command or a normal-mode profile when you use the **no system mode maintenance** command.

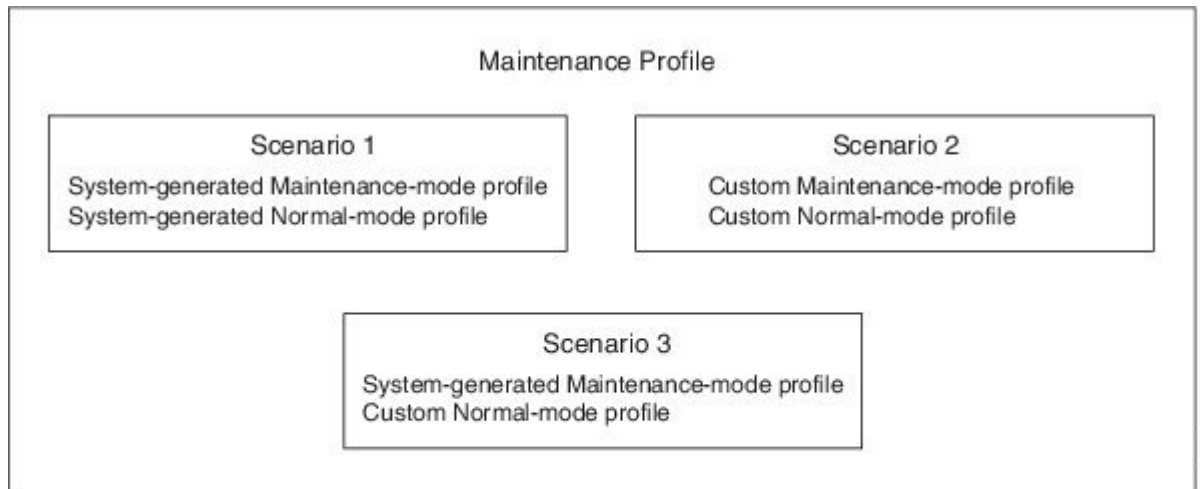
### Custom Profile

You can create a custom maintenance-mode or normal-mode profile with configuration commands that can be applied during graceful removal or graceful insertion to isolate, shut down, or restore the protocols individually (or perform additional configurations). You can use a custom profile when the system-generated profile does not provide the required configuration or if you need to enhance the existing system-generated or custom profile to include additional functionality specific to your deployment. Use the **configure maintenance profile maintenance-mode** command to configure a custom maintenance-mode profile with the required commands or the **configure maintenance profile normal-mode** command to configure a custom normal-mode profile with the required commands.

The system-generated profile will overwrite the custom profile and vice-versa. The system can have either a system-generated maintenance-mode profile or a custom maintenance-mode profile at a time. Similarly, the

system can have either a system-generated normal-mode profile or a custom normal-mode profile at a time. The scenarios are as given in the figure below:

**Figure 7: Maintenance Profile Scenarios**



**Note** We recommend using Scenario 1 or 2.

## Unplanned Maintenance

You can put the switch in unplanned maintenance mode when the switch reloads due to a critical failure. For switches with a single supervisor, configure a reset reason CLI using the **system mode maintenance on-reload reset-reason** command to enable the switch to go into maintenance mode after a switch reloads due to a critical failure. For switches with dual supervisors, SUP switchover occurs when there is a critical failure of the switch and the switch will not go into maintenance mode. The maintenance-mode profile existing in the startup configuration is applied when the switch goes in to unplanned maintenance mode. If no maintenance mode profile exists in the startup configuration, a system-generated maintenance-mode profile is created and applied when the switch goes in to unplanned maintenance mode.

## Maintenance Mode Timer

Use the **system mode maintenance timeout** command before entering maintenance mode to keep the switch in maintenance mode for a specified number of minutes. You can also use this command while the switch is in maintenance mode to change the number of minutes for which the switch will be in maintenance mode. The timer will then restart from that instant with the new timer value. Once the configured time elapses, the switch returns to normal mode automatically without using the **no system mode maintenance mode** command. Use the **no system mode maintenance timeout** command to disable the timer.

# Snapshot

Use the **snapshot** command to capture the running states of selected features and to store the running states on the persistent storage media.

You can use snapshots to compare the state of a switch before it went into maintenance mode and after it came back to normal mode. The snapshot process consists of three parts:

- Creating a snapshot of the states of a few preselected features on the switch and storing them on the persistent storage media.
- Listing the snapshots taken at various time intervals and managing them.
- Comparing snapshots and showing the summary and details of each feature.

There are two types of snapshots:

- System-generated snapshot—This is generated by the system when you use the **[no] system mode maintenance** command. The system creates the `before_maintenance` snapshot just before the system goes into maintenance mode. The system creates the `after_maintenance` snapshot just before the system goes into normal mode. The system overwrites any old snapshots when you use the **[no] system mode maintenance** command. Use the **snapshot delete {all | snapshot-name}** command to delete the system-generated snapshots.

In certain scenarios, the system-generated `after_maintenance` snapshot may be taken when hardware programming is ongoing. In such cases, we recommend taking a user-generated snapshot after the system has completed hardware programming and is in a stable state. You can then compare the new `after_maintenance` snapshot with the `before_maintenance` snapshot.

Starting with Cisco NX-OS release 8.0(1), the **[no] system mode maintenance** command has been enhanced to execute a normal mode profile and activate a timer ensuring that sufficient time is provided for the switch to complete any hardware programming that may be going on before the `after_maintenance` snapshot is taken. Once the timer expires, the `after_maintenance` snapshot is taken in the background and a new warning syslog message, `MODE_SNAPSHOT_DONE`, is sent after the snapshot is complete. The default delay timer value is 120 seconds. The output of the **[no] system mode maintenance** command displays the delay timer value, in seconds, after which the `after_maintenance` snapshot is generated:

```
The after_maintenance snapshot will be generated in <delay> seconds
After that time, please use 'show snapshots compare before_maintenance after_maintenance'
to check the health of the system
```

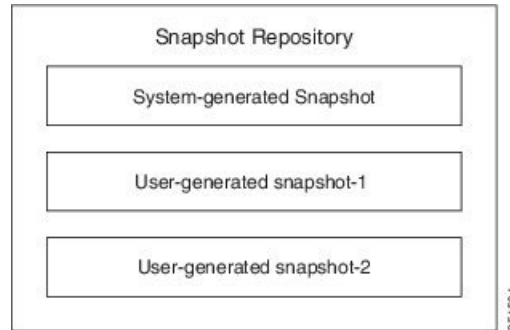
Use the **system mode maintenance snapshot-delay [delay-in-seconds]** command to change the delay timer value. The delay timer range is from 0 to 65535.

Use the **show maintenance snapshot-delay** command to display the snapshot delay timer value.

- User-generated snapshot—Use the **snapshot create name description** command to create a user-generated snapshot. Use the **snapshot delete {all | snapshot-name}** command to delete user-generated snapshots.

The system-generated and user-generated snapshots are stored in the snapshot repository.

Figure 8: Snapshot Repository



The following table lists the snapshot sections with the corresponding show commands:

| Name of the Section | Corresponding 'show' command      |
|---------------------|-----------------------------------|
| bgp-sessions        | show bgp sessions vrf all         |
| eigrp               | show ip eigrp topology summary    |
| eigrpv6             | show ipv6 eigrp topology summary  |
| interface           | show interface                    |
| ospf                | show ip ospf vrf all              |
| ospfv3              | show ipv6 ospfv3 vrf all          |
| isis                | show isis database detail vrf all |
| rip                 | show ip rip vrf all               |
| route-summary       | show ip route summary vrf all     |
| routev6-summary     | show ipv6 route summary vrf all   |
| vpc                 | show vpc                          |

## Suppress FIB Pending

The Suppress Forwarding Information Base (FIB) Pending feature uses the Border Gateway Protocol-Routing Information Base (BGP-RIB) and the Enhanced Interior Gateway Routing Protocol-Routing Information Base (EIGRP-RIB) feedback mechanism to avoid premature route advertisements and subsequent packet loss in a network. This mechanism is enabled by default and ensures that routes are installed locally before they are advertised to a neighbor.

BGP and EIGRP wait for feedback from RIB indicating that the routes that EIGRP or BGP installed in the RIB are installed in the FIB before EIGRP or BGP sends out updates to the neighbors. EIGRP or BGP will



send out updates of only those routes that have versions up to the version that FIB has installed. This selective update ensures that EIGRP or BGP does not send out premature updates resulting in attracting traffic even before the data plane is programmed after a switch reload, line card reload, or when the switch moves to normal mode from maintenance mode.

## GIR SNMP Traps

Starting with Cisco NX-OS Release 8.0(1), support for Simple Network Management Protocol (SNMP) traps has been added to the Graceful Insertion and Removal (GIR) mechanism. You can enable the switch to send an SNMP trap notification when the switch moves from normal mode to maintenance mode and vice-versa. Use the **snmp-server enable traps mmode cseMaintModeChangeNotify** command to enable the switch to send an SNMP trap notification when the switch moves to maintenance mode. Use the **snmp-server enable traps mmode cseNormalModeChangeNotify** command to enable the switch to send an SNMP trap notification when the switch moves to normal mode. By default, both SNMP traps are disabled.

## Guidelines and Limitations for GIR

- Custom maintenance profile has to be used for custom topologies and protocols that are not supported by automatic or system-generated profiles.
- Before starting with maintenance, ensure that the switch is not attracting any data traffic after the switch has been put in maintenance mode. You can use counters and statistics to ensure that there is no data traffic on the switch.
- Use the **system mode maintenance always-use-custom-profile** command when using custom profiles to ensure that the custom profile is not overwritten by the system-generated profile.
- Snapshot information is not copied automatically to the standby supervisor in a dual supervisor system.
- GIR may not provide zero application traffic loss for certain topologies and configurations.
- Starting with Cisco NX-OS Release 7.3(0)D1(1), we recommend not using the **configure profile [maintenance-mode | normal-mode] type admin** command and we strongly recommend using the **configure maintenance profile [maintenance-mode | normal-mode]** command.
- You cannot perform an in-service software upgrade (ISSU) or an in-service software downgrade (ISSD) in maintenance mode.

## Configuring Custom Maintenance Mode and Custom Normal Mode Profile

You can create the maintenance-mode profile or normal-mode profile with configuration commands that can be applied during graceful removal or graceful insertion. We recommend using the **system mode maintenance always-use-custom-profile** command after configuring custom maintenance mode and custom normal mode profiles to ensure that custom profiles are always used during maintenance mode operations.

**Procedure**

|               | <b>Command or Action</b>                                                                         | <b>Purpose</b>                                                                                                                                                                                                               |
|---------------|--------------------------------------------------------------------------------------------------|------------------------------------------------------------------------------------------------------------------------------------------------------------------------------------------------------------------------------|
| <b>Step 1</b> | switch# <b>configure maintenance profile</b><br>[ <b>maintenance-mode</b>   <b>normal-mode</b> ] | Enters a configuration session for the maintenance-mode profile or the normal-mode profile.<br><br><b>Note</b> Depending on which protocols you have configured, enter the appropriate commands to bring down the protocols. |
| <b>Step 2</b> | Required: switch# <b>end</b>                                                                     | Closes the maintenance mode profile.                                                                                                                                                                                         |

**Example**

This example shows how to create a custom maintenance mode profile:

```
switch# configure maintenance profile maintenance-mode
Please configure 'system mode maintenance always-use-custom-profile' if you want to use
custom profile always for maintenance mode.
Enter configuration commands, one per line. End with CNTL/Z.
switch(config-mm-profile)# router bgp 100
switch(config-mm-profile-router)# isolate
switch(config-mm-profile-router)# exit
switch(config-mm-profile)# sleep instance 1 10
switch(config-mm-profile)# interface ethernet 1/1
switch(config-mm-profile-if-verify)# shutdown
switch(config-mm-profile-if-verify)# end
Exit maintenance profile mode.
```

This example shows how to create a custom normal mode profile:

```
switch# configure maintenance profile normal-mode
Please configure 'system mode maintenance always-use-custom-profile' if you want to use
custom profile always for maintenance mode.
Enter configuration commands, one per line. End with CNTL/Z.
switch(config-mm-profile)# interface ethernet 1/1
switch(config-mm-profile-if-verify)# no shutdown
switch(config-mm-profile-if-verify)# exit
switch(config-mm-profile)# sleep instance 1 20
switch(config-mm-profile)# router bgp 100
switch(config-mm-profile-router)# no isolate
switch(config-mm-profile-router)# end
Exit maintenance profile mode.
```

```
switch# show maintenance profile
[Normal Mode]
interface Ethernet1/1
no shutdown
sleep instance 1 20
router bgp 100
no isolate
[Maintenance Mode]
router bgp 100
isolate
```

```
sleep instance 1 20
interface Ethernet1/1
shutdown
```

## Creating a Snapshot

You can create a snapshot of the running states of selected features. When you create a snapshot, a predefined set of show commands are run and the outputs are saved.

### Procedure

|               | Command or Action                                                                                          | Purpose                                                                                                                                                                                                                                                                           |
|---------------|------------------------------------------------------------------------------------------------------------|-----------------------------------------------------------------------------------------------------------------------------------------------------------------------------------------------------------------------------------------------------------------------------------|
| <b>Step 1</b> | switch# <b>snapshot create</b> <i>name description</i>                                                     | Creates a snapshot. The <i>name</i> variable can be 64 characters in length. The <i>description</i> variable can be 256 characters in length.<br><br>Use the <b>snapshot delete</b> { <b>all</b>   <i>snapshot-name</i> } command to delete all snapshots or a specific snapshot. |
| <b>Step 2</b> | (Optional) switch# <b>show snapshots</b>                                                                   | Displays snapshots present on the switch.                                                                                                                                                                                                                                         |
| <b>Step 3</b> | (Optional) switch# <b>show snapshots compare</b> <i>snapshot-name-1 snapshot-name-2</i> [ <b>summary</b> ] | Displays a comparison of two snapshots. The <b>summary</b> keyword displays just enough information to see the overall changes between the two snapshots.                                                                                                                         |

### Example

This example shows how to create a snapshot:

```
switch# snapshot create before_maint taken before maint
Executing 'show interface'... Done
Executing 'show ip route summary vrf all'... Done
Executing 'show ipv6 route summary vrf all'... Done
Executing 'show bgp sessions vrf all'... Done
Executing 'show ip eigrp topology summary'... Done
Executing 'show ipv6 eigrp topology summary'... Done
Executing 'show vpc'... Done
Executing 'show ip ospf vrf all'... Done
Feature 'ospfv3' not enabled, skipping...
Executing 'show isis database detail vrf all'... Done
Executing 'show ip rip vrf all'... Done
Executing user-specified 'show ip route detail vrf all'... Done
Snapshot 'before_maint' created
```

This example shows how to display the snapshots present on the switch:

```
switch# show snapshots
Snapshot Name          Time                               Description
-----
before_maint          Wed Oct 14 10:56:50 2015         taken before maint
```

This example displays a comparison between two snapshots:

```
switch# show snapshots compare before_maintenance after_maintenance summary
=====
Feature changed                               before_maintenance after_maintenance
=====
basic summary
# of interfaces                               50                    50
# of vlans                                     0                    0
# of ipv4 routes vrf default                  13                   13
# of ipv4 paths vrf default                   13                   13
# of ipv4 routes vrf management              14                   14
# of ipv4 paths vrf management               14                   14
# of ipv6 routes vrf default                 3                    3
# of ipv6 paths vrf default                  3                    3

interfaces
# of eth interfaces                           48                   48
# of eth interfaces up                        1                    1
# of eth interfaces down                     47                   47
# of eth interfaces other                    0                    0

# of vlan interfaces                          0                    0
# of vlan interfaces up                      0                    0
# of vlan interfaces down                   0                    0
# of vlan interfaces other                  0                    0
```

This example shows how to delete a snapshot:

```
switch# snapshot delete before_maint
switch# show snapshots
Snapshot Name      Time              Description
-----
```

## Adding Show Commands to Snapshots

You can specify additional **show** commands to be captured in snapshots. These **show** commands are defined in user-specified snapshot sections.

### Procedure

|               | Command or Action                                                                                                                   | Purpose                                                                                                                                                                                                                                                                                                                                                                                                                                                                                                                                                                  |
|---------------|-------------------------------------------------------------------------------------------------------------------------------------|--------------------------------------------------------------------------------------------------------------------------------------------------------------------------------------------------------------------------------------------------------------------------------------------------------------------------------------------------------------------------------------------------------------------------------------------------------------------------------------------------------------------------------------------------------------------------|
| <b>Step 1</b> | switch# <b>snapshot section add</b> <i>section</i><br>" <i>show-command</i> " <i>row-id element-key1</i><br>[ <i>element-key2</i> ] | <p>Adds a user-specified section to snapshots. The <i>section</i> variable is used to name the <b>show</b> command output. You can use any word to name the section.</p> <p>The <b>show</b> command must be enclosed in quotation marks. Non-<b>show</b> commands will not be accepted.</p> <p>The <i>row-id</i> argument specifies the tag of each row entry of the <b>show</b> command's XML output. The <i>element-key1</i> and <i>element-key2</i> arguments specify the tags used to distinguish among row entries. In most cases, only the <i>element-key1</i></p> |

|               | Command or Action                                 | Purpose                                                                                                                                                                                                                  |
|---------------|---------------------------------------------------|--------------------------------------------------------------------------------------------------------------------------------------------------------------------------------------------------------------------------|
|               |                                                   | argument needs to be specified to be able to distinguish among row entries.<br><br><b>Note</b> To delete a user-specified section from snapshots, use the <b>snapshot section delete <i>section</i></b> section command. |
| <b>Step 2</b> | (Optional) switch# <b>show snapshots sections</b> | Displays the user-specified snapshot sections.                                                                                                                                                                           |

### Example

The following example shows how to add the **show ip route detail vrf all** command to the snapshot:

```
switch# snapshot section add v4route "show ip route detail vrf all" ROW_prefix ipprefix
switch# show snapshots sections
user-specified snapshot sections
-----
[v4route]
show command: show ip route detail vrf all
row id: ROW_prefix
key1: ipprefix
key2: -
```

The following example shows how to add the **show ipv6 route detail vrf all** command to the snapshot:

```
switch# snapshot section add routev6 "show ipv6 route detail vrf all" ROW_prefix ipprefix
added section "routev6"

switch# show snapshots sections
user-specified snapshot sections
-----
[routev6]
show command: show ipv6 route detail vrf all
row id: ROW_prefix
key1: ipprefix
key2: -
```

The following example shows how to delete a user-specified snapshot section:

```
switch# snapshot section delete v4route
deleted section "v4route"

switch# show snapshots sections
user-specified snapshot sections
-----
none
```

The following example displays the XML output of the **show ip route detail vrf all** command:

```
switch(config)# show ip route detail vrf all | xml
<?xml version="1.0" encoding="ISO-8859-1"?>
<nf:rpc-reply xmlns:nf="urn:ietf:params:xml:ns:netconf:base:1.0" xmlns="http://www.cisco.com/nxos:7.3.0.D1.1.:urib">
  <nf:data>
    <show>
```

```

<ip>
  <_readonly_>
    <TABLE_vrf>
      <ROW_vrf>
        <vrf-name-out>default</vrf-name-out>
        <TABLE_addrf>
          <ROW_addrf>
            <addrf>ipv4</addrf>
            <TABLE_prefix>
              <ROW_prefix>
                <ipprefix>0.0.0.0/32</ipprefix>
                <ucast-nhops>1</ucast-nhops>
                <mcast-nhops>0</mcast-nhops>
                <attached>>false</attached>
              ... <snip>
            </ROW_prefix>
          </ROW_addrf>
        </TABLE_addrf>
      </ROW_vrf>
    </TABLE_vrf>
  </_readonly_>
</ip>

```

## Dumping Snapshot Sections

### Procedure

|               | Command or Action                                       | Purpose                                                               |
|---------------|---------------------------------------------------------|-----------------------------------------------------------------------|
| <b>Step 1</b> | switch# <b>show snapshots dump</b> <i>snapshot-name</i> | Displays the content of the various sections in a generated snapshot. |

### Example

The following example shows how to dump content of the various sections in a generated snapshot:

```

switch# show snapshots dump new
File: interface.xml      Snapshot: new
=====
<?xml version="1.0" encoding="ISO-8859-1"?>
<nf:rpc-reply xmlns:nf="urn:ietf:params:xml:ns:netconf:base:1.0" xmlns="http://ww.cisco.com/nxos:7.3.0.D1.1.:if_manager">
  <nf:data>
    <show>
      <interface>
        <_readonly_>
          <TABLE_interface>
            <ROW_interface>
              <interface>mgmt0</interface>
              <state>up</state>
              <admin_state>up</admin_state>
              <eth_hw_desc>GigabitEthernet</eth_hw_desc>
              <eth_hw_addr>5cfc.666d.3b34</eth_hw_addr>
              <eth_bia_addr>5cfc.666d.3b34</eth_bia_addr>
              <eth_ip_addr>5.24.100.101</eth_ip_addr>
              <eth_ip_mask>16</eth_ip_mask>
              <eth_ip_prefix>5.24.0.0</eth_ip_prefix>
              <eth_mtu>1500</eth_mtu>
            ... <snip> ...
          </ROW_interface>
        </TABLE_interface>
      </_readonly_>
    </interface>
  </show>
</nf:data>
</nf:rpc-reply>

```

# Entering Maintenance Mode

If you are going to create your own profile rather than using the system mode maintenance command to do it for you, see the [Configuring Custom Maintenance Mode and Custom Normal Mode Profile](#) section.

## Procedure

|               | Command or Action                                                                                                                                                                                                                          | Purpose                                                                                                                                                                                                                                                                                                                                                                                                                                                                                                                                                                                                                                                                                                                                                                                                                                                                                                                                                                                                                                                                                                                                                                                                                                                                                                                                                                                                                                                                                                                                                                                                                           |
|---------------|--------------------------------------------------------------------------------------------------------------------------------------------------------------------------------------------------------------------------------------------|-----------------------------------------------------------------------------------------------------------------------------------------------------------------------------------------------------------------------------------------------------------------------------------------------------------------------------------------------------------------------------------------------------------------------------------------------------------------------------------------------------------------------------------------------------------------------------------------------------------------------------------------------------------------------------------------------------------------------------------------------------------------------------------------------------------------------------------------------------------------------------------------------------------------------------------------------------------------------------------------------------------------------------------------------------------------------------------------------------------------------------------------------------------------------------------------------------------------------------------------------------------------------------------------------------------------------------------------------------------------------------------------------------------------------------------------------------------------------------------------------------------------------------------------------------------------------------------------------------------------------------------|
| <b>Step 1</b> | switch# <b>configure terminal</b>                                                                                                                                                                                                          | Enters global configuration mode.                                                                                                                                                                                                                                                                                                                                                                                                                                                                                                                                                                                                                                                                                                                                                                                                                                                                                                                                                                                                                                                                                                                                                                                                                                                                                                                                                                                                                                                                                                                                                                                                 |
| <b>Step 2</b> | Required: switch(config)# <b>system mode maintenance [always-use-custom-profile  dont-generate-profile  non-interactive  on-reload reset-reason <i>reason</i>  shutdown   snapshot-delay <i>delay-in-seconds</i> timeout <i>value</i>]</b> | <p>Puts all enabled protocols in maintenance mode (using the <b>isolate</b> command).</p> <p>Use the <b>dont-generate-profile</b> and <b>shutdown</b> options to put the switch in maintenance mode.</p> <ul style="list-style-type: none"> <li>• <b>dont-generate-profile</b>—Prevents the dynamic searching of enabled protocols and executes commands configured in a maintenance mode profile. Use this option if you want the system to execute commands in a custom maintenance mode profile.</li> <li>• <b>shutdown</b>—Shuts down all protocols and interfaces except the management interface (using the <b>shutdown</b> command). This option is disruptive while the default (using the <b>isolate</b> command) is not.</li> </ul> <p>The <b>on-reload reset-reason</b>, <b>timeout</b> and <b>always-use-custom-profile</b> options are used to configure maintenance mode parameters and will not put the switch in maintenance mode.</p> <ul style="list-style-type: none"> <li>• <b>timeout <i>value</i></b>—Keeps the switch in maintenance mode for a specified number of minutes. The range is from 5 to 65535. We recommend setting the timeout value to at least 60 minutes. Once the configured time elapses, the switch returns to normal mode automatically. The <b>no system mode maintenance timeout</b> command disables the timer</li> <li>• <b>on-reload reset-reason <i>reason</i></b>—Boots the switch into maintenance mode automatically in the event of a specified system crash. The <b>no system mode maintenance on-reload reset-reason</b> command prevents the switch from being</li> </ul> |

|  | Command or Action | Purpose                                                                                                                                                                                                                                                                                                                                                                                                                                                                                                                                                                                                                                                                                                                                                                                                                                                                                                                                                                                                                                                                                                                                                                                                                                                                                                                                                                                                                                                                                                  |
|--|-------------------|----------------------------------------------------------------------------------------------------------------------------------------------------------------------------------------------------------------------------------------------------------------------------------------------------------------------------------------------------------------------------------------------------------------------------------------------------------------------------------------------------------------------------------------------------------------------------------------------------------------------------------------------------------------------------------------------------------------------------------------------------------------------------------------------------------------------------------------------------------------------------------------------------------------------------------------------------------------------------------------------------------------------------------------------------------------------------------------------------------------------------------------------------------------------------------------------------------------------------------------------------------------------------------------------------------------------------------------------------------------------------------------------------------------------------------------------------------------------------------------------------------|
|  |                   | <p>brought up in maintenance mode in the event of a system crash. The maintenance mode reset reasons are as follows:</p> <ul style="list-style-type: none"> <li>• HW_ERROR—Hardware error</li> <li>• SVC_FAILURE—Critical service failure</li> <li>• KERN_FAILURE—Kernel panic</li> <li>• WDOG_TIMEOUT—Watchdog timeout</li> <li>• FATAL_ERROR—Fatal error</li> <li>• MANUAL_RELOAD---Manual reload</li> <li>• MAINTENANCE—Reloads the switch in maintenance mode if the switch was already in maintenance mode before reload.</li> <li>• MATCH_ANY—Any of the above reasons</li> <li>• ANY_OTHER—Any reload reason not specified above.</li> </ul> <p>The system prompts you to continue. Enter y to continue or n to terminate the process.</p> <p><b>Note</b> We recommend configuring the reset reason and saving it to the startup configuration. This enables the switch to go into the maintenance mode after a switch reloads due to any reason.</p> <ul style="list-style-type: none"> <li>• <b>always-use-custom-profile</b>—Use this option to apply the existing custom maintenance mode profile and prevent creation of autogenerated maintenance mode profile. This option forces the dont-generate-profile option to be used even if it has not been specified using the <b>system mode maintenance</b> command. You cannot use the "shutdown" option when this option is being used.</li> </ul> <p>Starting from Cisco NX-OS Release 8.0(1), the following keywords were introduced:</p> |



|               | Command or Action                          | Purpose                                                                                                                                                                                                                                                                                                                                                                         |
|---------------|--------------------------------------------|---------------------------------------------------------------------------------------------------------------------------------------------------------------------------------------------------------------------------------------------------------------------------------------------------------------------------------------------------------------------------------|
|               |                                            | <ul style="list-style-type: none"> <li>• <b>non-interactive</b>—Use this option to put the switch in maintenance mode without presenting any switch prompts.</li> <li>• <b>snapshot-delay <i>delay-in-seconds</i></b>—Use this option to change the snapshot delay timer value. The default snapshot delay timer value is 120 seconds. The range is from 0 to 65535.</li> </ul> |
| <b>Step 3</b> | (Optional) switch# <b>show system mode</b> | Displays the current system mode. This command also displays the current state of the maintenance mode timer when the switch is in maintenance mode.                                                                                                                                                                                                                            |

### Example



**Note** Starting with Cisco NX-OS Release 8.0(1), a visible CLI indicator has been added to show that the system is in maintenance mode. For example, switch(config)# will appear as switch(maint-mode)(config)#.

This example shows how to put all the protocols in maintenance mode using the **system mode maintenance** command on a switch running the Cisco NX-OS Release 8.0(1):

```

switch# configure terminal
switch(config)# system mode maintenance
Following configuration will be applied:

router bgp 100
  isolate
router ospf 100
  isolate
router isis 100
  isolate

Do you want to continue (y/n)? [no] y

Generating before_maintenance snapshot before going into maintenance mode

Starting to apply commands...

Applying : router bgp 100
Applying :   isolate
Applying : router ospf 100
Applying :   isolate
Applying : router isis 100
Applying :   isolate

Maintenance mode operation successful.
switch(maint-mode)(config)# 2016 Dec  5 06:19:13 switch %$ VDC-1 %$ %MMODE-2-MODE_CHANGED:
System changed to "maintenance" mode.

```

```
switch(maint-mode) (config) #
```

This example shows how to put all the protocols in maintenance mode using the **system mode maintenance** command on a switch running the Cisco NX-OS Release 7.3(0)D1(1):

```
switch# configure terminal
switch(config) # system mode maintenance
Following configuration will be applied:
```

```
router bgp 100
  isolate
router ospf 100
  isolate
router isis 100
  isolate
```

```
Do you want to continue (y/n)? [no] y
```

```
Generating a snapshot before going into maintenance mode
```

```
Starting to apply commands...
```

```
Applying : router bgp 100
Applying :   isolate
Applying : router ospf 100
Applying :   isolate
Applying : router isis 100
Applying :   isolate
```

```
Maintenance mode operation successful.
```

This example shows how to shut down all protocols and interfaces on the switch:

```
switch# configure terminal
switch(config) # system mode maintenance shutdown
Following configuration will be applied:
```

```
router bgp 64581
  shutdown
router eigrp p2
  shutdown
  address-family ipv6 unicast
    shutdown
router eigrp 0
  shutdown
  address-family ipv6 unicast
    shutdown
router ospf 200
  shutdown
router isis 70
  shutdown
vpc domain 2
  shutdown
system interface shutdown
```

```
NOTE: 'system interface shutdown' will shutdown all interfaces excluding mgmt 0
Do you want to continue (yes/no)? [no] yes
```

```
Generating a snapshot before going into maintenance mode
```

```
Starting to apply commands...
```

```
Applying : router bgp 64581
```

```

Applying : shutdown
Applying : router eigrp p2
Applying : shutdown
Applying : address-family ipv6 unicast
Applying : shutdown
Applying : router eigrp 0
Applying : shutdown
Applying : address-family ipv6 unicast
Applying : shutdown
Applying : router ospf 200
Applying : shutdown
Applying : router isis 70
Applying : shutdown
Applying : vpc domain 2
Applying : shutdown2016 Jan 15 11:10:36.080386 CP-BL26-N7K-1A %$ VDC-1 %$
%VPC-2-VPC_SHUTDOWN: vPC shutdown status is ON

Applying : system interface shutdown

Maintenance mode operation successful.
switch(config)# 2016 Jan 15 11:10:42.057678 switch %$ VDC-1 %$ %MMODE-2-MODE_CHANGED: System
  changed to "maintenance" mode.
2016 Jan 15 11:10:42.058167 switch %$ VDC-1 %$ %MMODE-2-MODE_CHANGE_WARN: System will be
  moved to "normal" mode in 5 minutes

```

This example shows how to keep the switch in maintenance mode for a specific number of minutes:

```

switch# configure terminal
switch (config)# system mode maintenance timeout 25

switch# show system mode
System Mode: Maintenance
Maintenance Mode Timer: 24 minutes 55 seconds remaining

```

This example shows how to automatically boot the switch into maintenance mode if a fatal error occurs:

```

switch# configure terminal
switch(config)# system mode maintenance on-reload reset-reason fatal_error

```

This example shows how to place the switch in maintenance mode by using a previously created maintenance mode profile :

```

switch# configure terminal
switch(config)# system mode maintenance dont-generate-profile

```

Following configuration will be applied:

```

router bgp 100
  isolate
sleep instance 1 10
interface Ethernet1/1
  shutdown

```

Do you want to continue (y/n)? [no] y

Generating a snapshot before going into maintenance mode

Starting to apply commands...

```

Applying : router bgp 100
Applying : isolate

```

```
Applying : sleep instance 1 10
Applying : interface Ethernet1/1
Applying : shutdown

Maintenance mode operation successful.
```

This example shows how to apply the existing custom maintenance mode profile and prevent creation of auto-generated maintenance mode profile:

```
switch# configure terminal
switch(config)# system mode maintenance always-use-custom-profile
```

This example shows how to put the switch in maintenance mode without presenting any switch prompts:

```
switch# configure terminal
switch(config)# system mode maintenance non-interactive
System mode switch to maintenance mode started. Will continue in background.
switch(config)# 2016 Dec 5 08:46:42 switch %$ VDC-1 %$ %MMODE-2-MODE_CHANGED: System changed
to "maintenance" mode.

switch(maint-mode)(config)#
```

This example shows how to change the snapshot delay timer value:

```
switch# configure terminal
switch(config)# system mode maintenance snapshot-delay 150
```

## Returning to Normal Mode



**Note** Starting with Cisco NX-OS Release 8.0(1), a visible CLI indicator has been added to show that the system is in maintenance mode. For example, switch(config)# will appear as switch(maint-mode)(config)#.

### Procedure

|               | Command or Action                                                                             | Purpose                                                                                                                                                                                                                                                                                                                                                                                                                                                                                                                         |
|---------------|-----------------------------------------------------------------------------------------------|---------------------------------------------------------------------------------------------------------------------------------------------------------------------------------------------------------------------------------------------------------------------------------------------------------------------------------------------------------------------------------------------------------------------------------------------------------------------------------------------------------------------------------|
| <b>Step 1</b> | switch# <b>configure terminal</b>                                                             | Enters global configuration mode.                                                                                                                                                                                                                                                                                                                                                                                                                                                                                               |
| <b>Step 2</b> | Required: switch# <b>no system mode maintenance [dont-generate-profile   non-interactive]</b> | Executes a previously created normal mode profile file or a dynamically created normal mode profile file. The <b>dont-generate-profile</b> keyword suppresses the creation of the normal mode maintenance profile and also prevents reusing the existing normal mode maintenance profile. The <b>non-interactive</b> keyword enables the switch to exit the maintenance mode without presenting any switch prompts.<br><br>The system prompts you to continue. Enter <b>y</b> to continue or <b>n</b> to terminate the process. |

|  | Command or Action | Purpose                                                                                                                                                                                                                                                                                                                                     |
|--|-------------------|---------------------------------------------------------------------------------------------------------------------------------------------------------------------------------------------------------------------------------------------------------------------------------------------------------------------------------------------|
|  |                   | <p>Starting from Cisco NX-OS Release 8.0(1), the <b>non-interactive</b> keyword was introduced. The <b>non-interactive</b> keyword puts the switch in normal mode from maintenance mode without presenting any switch prompts.</p> <p><b>Note</b> For large configurations, the interfaces will be up after a certain interval of time.</p> |

**Example**

This example shows how to return to normal mode from maintenance mode on a switch running the Cisco NX-OS Release 8.0(1):

```

switch(maint-mode) (config)# no system mode maintenance
Following configuration will be applied:

interface Ethernet1/1
  no shutdown
  sleep instance 1 20
router bgp 100
  no isolate

Do you want to continue (y/n)? [no] yes

Starting to apply commands...

Applying : interface Ethernet1/1
Applying : no shutdown
Applying : sleep instance 1 20
Applying : router bgp 100
Applying : no isolate

Maintenance mode operation successful.

The after_maintenance snapshot will be generated in 120 seconds
After that time, please use 'show snapshots compare before_maintenance after_maintenance'
to check the health of the system
switch(config)# 2016 Dec 5 06:20:23 switch %$ VDC-1 %$ %MMODE-2-MODE_CHANGED: System changed
to "normal" mode.

switch# show system mode
System Mode: Normal
    
```

This example shows how to return to normal mode from maintenance mode on a switch running the Cisco NX-OS Release 7.3(0)D1(1):

```

switch# configure terminal
switch(config)# no system mode maintenance
Following configuration will be applied:

interface Ethernet1/1
  no shutdown
  sleep instance 1 20
router bgp 100
    
```

```

no isolate

Do you want to continue (y/n)? [no] yes

Starting to apply commands...

Applying : interface Ethernet1/1
Applying : no shutdown
Applying : sleep instance 1 20
Applying : router bgp 100
Applying : no isolate

Maintenance mode operation successful.

Generating Current Snapshot

Please use 'show snapshots compare before_maintenance after_maintenance' to check the health
of the system
switch(config)#

switch(config)# show system mode
System Mode: Normal

```

This example shows how to return to normal mode from maintenance mode by using the **dont-generate-profile** keyword:

```

switch(config)# no system mode maintenance dont-generate-profile
Following configuration will be applied:

interface Ethernet1/1
no shutdown
sleep instance 1 20
router bgp 100
no isolate

Do you want to continue (y/n)? [no] yes

Starting to apply commands...

Applying : interface Ethernet1/1
Applying : no shutdown
Applying : sleep instance 1 20
Applying : router bgp 100
Applying : no isolate

Maintenance mode operation successful.

The after_maintenance snapshot will be generated in 120 seconds
After that time, please use 'show snapshots compare before_maintenance after_maintenance'
to check the health of the system
switch(config)# 2016 Dec 5 08:51:46 switch %$ VDC-1 %$ %MMODE-2-MODE_CHANGED: System changed
to "normal" mode.

switch(config)# show system mode
System Mode: Normal

```

This example shows how to return to normal mode from maintenance mode by using the **non-interactive** keyword:

```

switch(config)# no system mode maintenance non-interactive
System mode switch to normal mode started. Will continue in background.

```

```
switch(maint-mode) (config)# 2016 Dec 5 08:48:01 switch %$ VDC-1 %$ %MMODE-2-MODE_CHANGED:
System changed to "normal" mode.
```

```
switch(config)# show system mode
System Mode: Normal
```

## Deleting a Maintenance Profile

### Procedure

|               | Command or Action                                                                          | Purpose                                               |
|---------------|--------------------------------------------------------------------------------------------|-------------------------------------------------------|
| <b>Step 1</b> | switch# <b>configure terminal</b>                                                          | Enters global configuration mode.                     |
| <b>Step 2</b> | Required: switch# <b>no configure maintenance profile {normal-mode   maintenance-mode}</b> | Deletes the normal mode or maintenance mode profiles. |

### Example

This example shows how to delete a maintenance profile:

```
switch# configure terminal
switch(config)# no configure maintenance profile maintenance-mode
```

## Configuration Examples for GIR

This example shows how to create custom maintenance mode profile:

```
switch# configure maintenance profile maintenance-mode
Please configure 'system mode maintenance always-use-custom-profile' if you want to use
custom
profile always for maintenance mode.
Enter configuration commands, one per line. End with CNTL/Z.
switch(config-mm-profile)# router bgp 100
switch(config-mm-profile-router)# isolate
switch(config-mm-profile-router)# exit
switch(config-mm-profile)# sleep instance 1 10
switch(config-mm-profile)# interface ethernet 1/1
switch(config-mm-profile-if-verify)# shutdown
switch(config-mm-profile-if-verify)# end
Exit maintenance profile mode.
```

This example shows how to create custom normal mode profile:

```
switch# configure maintenance profile normal-mode
Please configure 'system mode maintenance always-use-custom-profile' if you want to use
custom
profile always for maintenance mode.
Enter configuration commands, one per line. End with CNTL/Z.
switch(config-mm-profile)# interface ethernet 1/1
switch(config-mm-profile-if-verify)# no shutdown
switch(config-mm-profile-if-verify)# exit
```

```

switch(config-mm-profile)# sleep instance 1 20
switch(config-mm-profile)# router bgp 100
switch(config-mm-profile-router)# no isolate
switch(config-mm-profile-router)# end
Exit maintenance profile mode.

```

This example shows how to create a custom maintenance mode and normal mode profile for IPv6 protocols:

```

switch# configure terminal
switch(config)# configure maintenance profile maintenance-mode
Please configure 'system mode maintenance always-use-custom-profile' if you want to use
custom
profile always for maintenance mode.
switch(config-mm-profile)# router ospfv3 ospf_ipv6
switch(config-mm-profile-router)# shutdown
switch(config-mm-profile-router)# exit
switch(config-mm-profile)# router eigrp 660
switch(config-mm-profile-router)# address-family ipv6 unicast
switch(config-mm-profile-router-af)# shutdown
switch(config-mm-profile-router-af)# exit
switch(config-mm-profile)# router isis isp
switch(config-mm-profile-router)# set-overload-bit always
switch(config-mm-profile-router)# address-family ipv6 unicast
switch(config-mm-profile-router-af)# shutdown
switch(config-mm-profile-router-af)# exit

```

```

switch# configure terminal
switch(config)# configure maintenance profile normal-mode
Please configure 'system mode maintenance always-use-custom-profile' if you want to use
custom
profile always for maintenance mode.
switch(config-mm-profile)# router isis isp
switch(config-mm-profile-router)# no set-overload-bit always
switch(config-mm-profile-router)# address-family ipv6 unicast
switch(config-mm-profile-router-af)# no shutdown
switch(config-mm-profile-router-af)# exit
switch(config-mm-profile)# router eigrp 660
switch(config-mm-profile-router)# address-family ipv6 unicast
switch(config-mm-profile-router-af)# no shutdown
switch(config-mm-profile-router-af)# exit
switch(config-mm-profile)# router ospfv3 ospf_ipv6
switch(config-mm-profile-router)# no shutdown
switch(config-mm-profile-router)# exit

```

```

switch# show maintenance profile
[Normal mode]
router isis isp
  no set-overload-bit always
  address-family ipv6 unicast
  no shutdown
router eigrp 660
  address-family ipv6 unicast
  no shutdown
router ospfv3 ospf_ipv6
  no shutdown
[Maintenance Mode]
router ospfv3 ospf_ipv6
  shutdown
router eigrp 660
  address-family ipv6 unicast
  shutdown
router isis isp

```



```

set-overload-bit always
address-family ipv6 unicast
shutdown

```

This example shows how to create a custom maintenance mode profile and custom normal mode profile for VPC:

```

switch# configure terminal
switch(config)# configure maintenance profile maintenance-mode
switch(config-mm-profile)# router bgp 100
switch(config-mm-profile-router)# isolate
switch(config-mm-profile-router)# exit
switch(config-mm-profile)# interface port channel 5
switch(config-mm-profile-if-verify)# vpc orphan port suspend
switch(config-mm-profile-if-verify)# exit
switch(config-mm-profile)# interface port channel 6
switch(config-mm-profile-if-verify)# vpc orphan port
suspend switch(config-mm-profile-if-verify)# exit
switch(config-mm-profile)# sleep instance 1 5
switch(config-mm-profile)# vpc domain 1
switch(config-mm-profile-vpc-domain)# shutdown

switch# configure terminal
switch(config)# configure maintenance profile normal-mode
switch(config-mm-profile)# vpc domain 1
switch(config-mm-profile-vpc-domain)# no shutdown
switch(config-mm-profile-vpc-domain)# exit
switch(config-mm-profile)# sleep instance 1 60
switch(config-mm-profile)# interface port channel 5
switch(config-mm-profile-if-verify)# no vpc orphan port suspend
switch(config-mm-profile-if-verify)# exit
switch(config-mm-profile)# interface port channel 6
switch(config-mm-profile-if-verify)# no vpc orphan port suspend
switch(config-mm-profile-if-verify)# exit
switch(config-mm-profile)# router bgp 100
switch(config-mm-profile-router)# no isolate

switch# show maintenance profile
[Normal Mode]
vpc domain 1
  no shutdown
sleep instance 1 60
interface port-channel 5
  no vpc orphan-port suspend
interface port-channel 6
  no vpc orphan-port suspend router
bgp 100
  no isolate

[Maintenance Mode]
router bgp 100
  isolate
interface port-channel 5 vpc
  orphan-port suspend
interface port-channel 6 vpc
  orphan-port suspend
sleep instance 1 5
  vpc domain 1 shutdown

```

This example shows how to use the **isolate** command to put all protocols into maintenance mode:

```

switch(config)# system mode maintenance

Following configuration will be applied:

router bgp 100
  isolate
router ospf 100
  isolate
router isis 100
  isolate

Do you want to continue (y/n)? [no] y

Generating a snapshot before going into maintenance mode

Starting to apply commands...

Applying : router bgp 100
Applying :   isolate
Applying : router ospf 100
Applying :   isolate
Applying : router isis 100
Applying :   isolate

Maintenance mode operation successful.

```

This example shows how to use the **isolate** command to put all protocols into maintenance mode on a switch running the Cisco NX-OS Release 8.0(1):

```

switch# configure terminal
switch(config)# system mode maintenance
Following configuration will be applied:

router bgp 100
  isolate
router ospf 100
  isolate
router isis 100
  isolate

Do you want to continue (y/n)? [no] y

Generating before_maintenance snapshot before going into maintenance mode

Starting to apply commands...

Applying : router bgp 100
Applying :   isolate
Applying : router ospf 100
Applying :   isolate
Applying : router isis 100
Applying :   isolate

Maintenance mode operation successful.
switch(maint-mode)(config)# 2016 Dec  5 06:19:13 switch %$ VDC-1 %$ %MMODE-2-MODE_CHANGED:
  System changed to "maintenance" mode.

switch(maint-mode)(config)#

```

This example shows how to shut down all protocols and interfaces on the switch:

```

switch# configure terminal
switch(config)# system mode maintenance shutdown

```

Following configuration will be applied:

```
router bgp 64581
  shutdown
router eigrp p2
  shutdown
  address-family ipv6 unicast
  shutdown
router eigrp 0
  shutdown
  address-family ipv6 unicast
  shutdown
router ospf 200
  shutdown
router isis 70
  shutdown
vpc domain 2
  shutdown
system interface shutdown
```

NOTE: 'system interface shutdown' will shutdown all interfaces excluding mgmt 0  
Do you want to continue (yes/no)? [no] yes

Generating a snapshot before going into maintenance mode

Starting to apply commands...

```
Applying : router bgp 64581
Applying :   shutdown
Applying : router eigrp p2
Applying :   shutdown
Applying :   address-family ipv6 unicast
Applying :     shutdown
Applying : router eigrp 0
Applying :   shutdown
Applying :   address-family ipv6 unicast
Applying :     shutdown
Applying : router ospf 200
Applying :   shutdown
Applying : router isis 70
Applying :   shutdown
Applying : vpc domain 2
Applying :   shutdown2016 Jan 15 11:10:36.080386 CP-BL26-N7K-1A %$ VDC-1 %$
%VPC-2-VPC_SHUTDOWN: vPC shutdown status is ON

Applying : system interface shutdown
```

Maintenance mode operation successful.

```
switch(config)# 2016 Jan 15 11:10:42.057678 CP-BL26-N7K-1A %$ VDC-1 %$ %MMODE-2-MODE_CHANGED:
  System changed to "maintenance" mode.
2016 Jan 15 11:10:42.058167 CP-BL26-N7K-1A %$ VDC-1 %$ %MMODE-2-MODE_CHANGE_WARN: System
will be moved to "normal" mode in 5 minutes
```

This example shows how to return to normal mode from maintenance mode:

```
switch# configure terminal
switch(config)# no system mode maintenance dont-generate-profile
```

Following configuration will be applied:

```
interface Ethernet1/1
  no shutdown
  sleep instance 1 20
router bgp 100
  no isolate
```

```

Do you want to continue (y/n)? [no] yes
Starting to apply commands...
Applying : interface Ethernet1/1
Applying : no shutdown
Applying : sleep instance 1 20
Applying : router bgp 100
Applying : no isolate
Maintenance mode operation successful.
Generating Current Snapshot
Please use 'show snapshots compare before_maintenance after_maintenance' to check the
health of the system

```

This example shows how to return to normal mode from maintenance mode on a switch running the Cisco NX-OS Release 8.0(1):

```

switch(maint-mode) (config)# no system mode maintenance
Following configuration will be applied:

interface Ethernet1/1
  no shutdown
  sleep instance 1 20
  router bgp 100
  no isolate

Do you want to continue (y/n)? [no] yes

Starting to apply commands...

Applying : interface Ethernet1/1
Applying : no shutdown
Applying : sleep instance 1 20
Applying : router bgp 100
Applying : no isolate

Maintenance mode operation successful.

The after_maintenance snapshot will be generated in 120 seconds
After that time, please use 'show snapshots compare before_maintenance after_maintenance'
to check the health of the system
switch(config)# 2016 Dec  5 06:20:23 switch %$ VDC-1 %$ %MMODE-2-MODE_CHANGED: System changed
to "normal" mode.

switch# show system mode
System Mode: Normal

```

This example shows how to create custom maintenance mode and normal mode profiles for FabricPath:

```

switch# configure maintenance profile maintenance-mode
Enter configuration commands, one per line. End with CNTL/Z.
switch(config-mm-profile)# fabricpath domain default
switch(config-mm-profile-fabricpath-isis)# set-overload-bit always
switch(config-mm-profile-fabricpath-isis)# end
Exit maintenance profile mode.
switch#

switch# configure maintenance profile normal-mode
Enter configuration commands, one per line. End with CNTL/Z.
switch(config-mm-profile)# fabricpath domain default
switch(config-mm-profile-fabricpath-isis)# no set-overload-bit always
switch(config-mm-profile-fabricpath-isis)# end
Exit maintenance profile mode.
switch#

```

```

switch# show maintenance profile
[Normal Mode]
fabricpath domain default
  no set-overload-bit always
[Maintenance Mode]
fabricpath domain default
  set-overload-bit always

```

This example shows how to create custom maintenance mode and normal mode profiles for a virtual Port Channel (vPC):

```

switch# configure maintenance profile maintenance-mode
Enter configuration commands, one per line. End with CNTL/Z.
switch(config-mm-profile)# vpc domain 1
switch(config-mm-profile-vpc-domain)# shutdown
switch(config-mm-profile-vpc-domain)# exit
switch(config-mm-profile)# system interface shutdown
switch(config-mm-profile)# end
Exit maintenance profile mode.
switch#

```

```

switch# configure maintenance profile normal-mode
Enter configuration commands, one per line. End with CNTL/Z.
switch(config-mm-profile)# vpc domain 1
switch(config-mm-profile-vpc-domain)# no shutdown
switch(config-mm-profile-vpc-domain)# exit
switch(config-mm-profile)# no system interface shutdown
switch(config-mm-profile)# end
Exit maintenance profile mode.
switch#

```

```

switch# show maintenance profile
[Normal Mode]
vpc domain 1
  no shutdown
no system interface shutdown
[Maintenance Mode]
vpc domain 1
  shutdown
system interface shutdown

```

This example shows the configuration to be used when there are port-channel or regular L2 ethernet interfaces (except vPC peer link) which carry vPC VLAN traffic and when the corresponding Switch Virtual Interface (SVI) state should not be controlled by these interfaces:

```

Port-channel configuration
switch(config)# interface port-channel3
switch(config-if)# description "L2-Cross Link eth3/3 eth4/3 eth5/3 eth6/3"
switch(config-if)# switchport
switch(config-if)# switchport mode trunk
switch(config-if)# switchport trunk allowed vlan 1101-1500
switch(config-if)# spanning-tree port type network
switch(config-if)# lacp min-links 2
switch(config-if)# switchport autostate exclude vlan 1101-1500

```

```

L2 Ethernet configuration
switch(config)# interface ethernet 3/3

```

```
switch(config-if)# switchport
switch(config-if)# switchport mode trunk
switch(config-if)# switchport trunk allowed vlan 1101-1500
switch(config-if)# switchport autostate exclude vlan 1101-1500
```

The "redistribute direct" configuration under Border Gateway Protocol (BGP) will attract traffic as the BGP **isolate** mode does not withdraw direct routes. This example shows how to use the **route-map** command to enable BGP to withdraw direct routes in **isolate** mode:

### Policy Configuration

Use **route-map my-rmap-deny** in maintenance mode configuration to exclude SVIs having tag 200 configuration.

```
switch(config)# route-map my-rmap-deny deny 10
switch(config-route-map)# match tag 200
switch(config-route-map)# exit
switch(config)# route-map my-rmap-deny permit 20
```

Use **route-map my-rmap-permit** in normal mode configuration to include SVIs having tag 200 configuration.

```
switch(config)# route-map my-rmap-permit permit 10
switch(config-route-map)# match tag 200
switch(config-route-map)# exit
switch(config)# route-map my-rmap-permit permit 20
```

### Virtual IP (vIP)/ Switch Virtual Interface (SVI) configuration

```
switch(config)# interface loopback 200
switch(config-if)# ip address 192.0.2.100/8 tag 200
switch(config)# interface vlan 2
switch(config-if)# ip address 192.0.2.108/8 tag 200
....
switch(config)# interface vlan 3
switch(config-if)# ip address 192.0.2.102/8 tag 200
```

### BGP configuration

```
switch(config)# feature bgp
switch(config)# router bgp 100
switch(config-router)# neighbor 192.0.2.100
....
```

### Maintenance mode profile

```
switch# configure maintenance profile maintenance-mode
switch(config-mm-profile)# router bgp 200
switch(config-mm-profile-router)# address-family ipv4 unicast
switch(config-mm-profile-router-af)# redistribute direct route-map my-rmap-deny
switch(config-mm-profile-router-af)# exit
switch(config-mm-profile)# sleep instance 1 10
```

### Normal mode profile

```
switch# configure maintenance profile normal-mode
switch(config-mm-profile)# router bgp 100
switch(config-mm-profile-router)# address-family ipv4 unicast
switch(config-mm-profile-router-af)# redistribute direct route-map my-rmap-permit
switch(config-mm-profile-router-af)# exit
switch(config-mm-profile)# sleep instance 1 20
```

## Verifying GIR

Use the following commands to verify the configuration:

| Command                                                                                           | Purpose                                                                                                                                                                                                                                                                                 |
|---------------------------------------------------------------------------------------------------|-----------------------------------------------------------------------------------------------------------------------------------------------------------------------------------------------------------------------------------------------------------------------------------------|
| <b>show interface brief</b>                                                                       | Displays abbreviated interface information.                                                                                                                                                                                                                                             |
| <b>show maintenance on-reload reset-reason</b>                                                    | Displays the reset reasons for which the switch comes up in maintenance mode.                                                                                                                                                                                                           |
| <b>show maintenance profile [maintenance-mode   normal-mode]</b>                                  | Displays the details of the maintenance mode or normal mode profile.                                                                                                                                                                                                                    |
| <b>show maintenance snapshot-delay</b>                                                            | Displays the after_maintenance snapshot-delay timer value.                                                                                                                                                                                                                              |
| <b>show maintenance timeout</b>                                                                   | Displays the maintenance mode timeout period, after which the switch automatically returns to normal mode.                                                                                                                                                                              |
| <b>show tech-support mmode</b>                                                                    | Displays maintenance mode information for Cisco technical support.                                                                                                                                                                                                                      |
| <b>show {running--config   startup--config} mmode [all]</b>                                       | Displays the maintenance-mode section of the running or startup configuration. The <b>all</b> option includes the default values.                                                                                                                                                       |
| <b>show snapshots</b>                                                                             | Displays snapshots present on the switch.                                                                                                                                                                                                                                               |
| <b>show snapshots compare snapshot-name-1 snapshot-name-2 [summary   ipv4routes   ipv6routes]</b> | Displays a comparison of two snapshots. The <b>summary</b> option displays just enough information to see the overall changes between the two snapshots. The <b>ipv4routes</b> and the <b>ipv6routes</b> options display the changes in IPv4 and IPv6 routes between the two snapshots. |
| <b>show snapshots dump snapshot-name</b>                                                          | Displays content of the various sections in a generated snapshot.                                                                                                                                                                                                                       |
| <b>show snapshots sections</b>                                                                    | Displays the user-specified snapshot sections.                                                                                                                                                                                                                                          |
| <b>show system mode</b>                                                                           | Displays the current system mode. This command also displays the current state of the maintenance mode timer when the switch is in maintenance mode.                                                                                                                                    |

## Verifying GIR at Protocol Level

### BGP (Maintenance mode)

Use the **show bgp process** command to display BGP status in maintenance mode:

```

switch# show bgp process

BGP Process Information
BGP Process ID           : 11725
BGP Protocol Started, reason: : configuration
BGP Protocol Tag         : 100
BGP Protocol State       : Running (Isolate)
BGP MMODE                : Initialized
BGP Memory State         : OK
BGP asformat             : asplain

BGP attributes information
Number of attribute entries : 1
HWM of attribute entries    : 1
Bytes used by entries       : 100
Entries pending delete     : 0
HWM of entries pending delete : 0
BGP paths per attribute HWM : 3
BGP AS path entries        : 0
Bytes used by AS path entries : 0

```

Use the **show bgp internal all statistics** command to display the number of BGP IPv4 and IPv6 prefixes that have been programmed and also the number of BGP IPv4 and IPv6 prefixes that have not been programmed:

```

BGP internal statistics information for VRF default, address family IPv4 Unicast
  Total prefixes in BGP Table: 3
  Total prefixes pending programming in HW: 0
BGP internal statistics information for VRF default, address family IPv6 Unicast
  Total prefixes in BGP Table: 0
  Total prefixes pending programming in HW: 0

```

### EIGRP (Maintenance mode)

Use the **show ip eigrp** command to display EIGRP status in maintenance mode:

```

switch# show ip eigrp
IP-EIGRP AS 100 ID 30.1.1.1 VRF default
  Process-tag: 100
  Instance Number: 1
  Status: running (isolate)
  Authentication mode: none
  Authentication key-chain: none
  Metric weights: K1=1 K2=0 K3=1 K4=0 K5=0
  IP proto: 88 Multicast group: 224.0.0.10
  Int distance: 90 Ext distance: 170
  Max paths: 8
  Number of EIGRP interfaces: 1 (0 loopbacks)
  Number of EIGRP passive interfaces: 0
  Number of EIGRP peers: 1
  Redistributing:
    direct route-map passall
    static route-map passall
  Graceful-Restart: Enabled
  Stub-Routing: Disabled
  NSF converge time limit/expiries: 120/0
  NSF route-hold time limit/expiries: 240/6
  NSF signal time limit/expiries: 20/0
  Redistributed max-prefix: Disabled
  MMODE: Initialized
  Suppress-FIB-Pending Configured

```

### ISIS (Maintenance mode)



Use the **show isis protocol** command to display ISIS status in maintenance mode:

```
switch# show isis protocol
ISIS process : 100
  Instance number : 1
  UUID: 1090519320
  Process ID 6969
VRF: default
  System ID : 0300.0000.0004 IS-Type : L2
  SAP : 412 Queue Handle : 16
  Maximum LSP MTU: 1492
  Stateful HA enabled
  Graceful Restart enabled. State: Inactive
  Last graceful restart status : none
  Start-Mode Complete
  BFD IPv4 is globally disabled for ISIS process: 100
  BFD IPv6 is globally disabled for ISIS process: 100
  Topology-mode is base
  Metric-style : advertise(wide), accept(narrow, wide)
  Area address(es) :
    10
  Process is up and running (isolate)
  VRF ID: 1
  Stale routes during non-graceful controlled restart
  Interfaces supported by IS-IS :
    Ethernet1/2
```

### OSPF (Maintenance mode)

Use the **show ip ospf internal** command to display OSPF status in maintenance mode:

```
switch# show ip ospf internal

ospf 100
ospf process tag 100
ospf process instance number 1
ospf process uuid 1090519321
ospf process linux pid 6968
ospf process state running (isolate)
System uptime 6d06h
SUP uptime 2 6d06h

Server up : L3VM|IFMGR|RPM|AM|CLIS|URIB|U6RIB|IP|IPv6|SNMP|MMODE
Server required : L3VM|IFMGR|RPM|AM|CLIS|URIB|IP|SNMP
Server registered: L3VM|IFMGR|RPM|AM|CLIS|URIB|IP|SNMP|MMODE
Server optional : MMODE

Early hello : OFF
Force write PSS: FALSE
OSPF mts pkt sap 324
OSPF mts base sap 320
```

## Feature History for GIR

The table below summarizes the new and changed features for this document and shows the releases in which each feature is supported. Your software release might not support all the features in this document. For the latest caveats and feature information, see the Bug Search Tool at <https://tools.cisco.com/bugsearch/> and the release notes for your software release.

| Feature Name                                      | Release     | Information                                                                                                                                                                                                                                                                         |
|---------------------------------------------------|-------------|-------------------------------------------------------------------------------------------------------------------------------------------------------------------------------------------------------------------------------------------------------------------------------------|
| Graceful Insertion and Removal (GIR) Enhancements | 8.0(1)      | Support for Simple Network Management Protocol (SNMP) traps and snapshot delay. A CLI indicator to show that the switch is in maintenance mode. The following keywords were added to the <b>system mode maintenance</b> command: <b>non-interactive</b> and <b>snapshot-delay</b> . |
| Graceful Insertion and Removal (GIR)              | 7.3(0)D1(1) | The default mode for GIR is “isolate”. Support for Unplanned Maintenance, Maintenance Mode timer, Suppress FIB Pending, Adding Show commands to snapshots and dumping snapshot sections.                                                                                            |
| Graceful Insertion and Removal (GIR)              | 7.2(0)D1(1) | This feature was introduced. The default mode for GIR is “shutdown”. Refer <a href="#">Configuring GIR (Cisco NX-OS Release 7.2(0)D1(1))</a> .                                                                                                                                      |



## CHAPTER 23

# Configuring GIR (Cisco NX-OS Release 7.2(0)D1(1))

---

This chapter contains the following sections:

- [Information About GIR, on page 429](#)
- [Guidelines and Limitations for GIR, on page 430](#)
- [Performing the GIR Cycle, on page 431](#)
- [Configuring the Normal Mode Profile File, on page 431](#)
- [Creating a Snapshot, on page 433](#)
- [Entering Maintenance Mode, on page 433](#)
- [Returning to Normal Mode, on page 434](#)
- [Configuring the Maintenance Mode Profile File, on page 435](#)
- [Verifying GIR, on page 436](#)

## Information About GIR

You can use Graceful Insertion and Removal (GIR) to isolate a switch from the network in order to perform debugging or an upgrade. When switch maintenance is complete, you can return the switch to normal mode.

When you place the switch in maintenance mode, all protocols are gracefully brought down and all physical ports are shut down. When normal mode is restored, all the protocols and ports are brought back up.

The following protocols are supported:

- Border Gateway Protocol (BGP)
- BGPv6
- Enhanced Interior Gateway Routing Protocol (EIGRP)
- EIGRPv6
- Intermediate System-to-Intermediate System (ISIS)
- Open Shortest Path First (OSPF)
- OSPFv3

Also supported are:

- Virtual port channel (vPC) switches




---

**Note** GIR is not supported on vPC+ switches.

---

- Interfaces
- FabricPath

You can create a maintenance mode profile file before you put the switch in maintenance mode or you can allow the system to create a maintenance mode profile file when you enter the **[no] system mode maintenance** command.

Use the **snapshot** command to capture the running states of selected features and to store them on the persistent storage media.

Snapshots are useful to compare the state of a switch before it went into maintenance mode and after it came back to normal mode. The snapshot process consists of three parts:

- Creating a snapshot of the states of a few preselected features on the switch and storing them on the persistent storage media.
- Listing the snapshots taken at various time intervals and managing them.
- Comparing snapshots and showing the summary and details of each feature.

## Guidelines and Limitations for GIR

Graceful Insertion and Removal (GIR) has the following guidelines and limitations:

- You can create maintenance mode or normal-mode profile files by using the **config profile maintenance-mode type admin** and **config profile normal-mode type admin** commands respectively.
- We recommend not using GIR maintenance mode when a switch is being upgraded to Cisco NX-OS Release 7.3(0)N1(1) or higher from any release prior to Cisco NX-OS Release 7.3(0)N1(1). If a switch that is in GIR maintenance mode has completed upgrading to Cisco NX-OS Release 7.3(0)N1(1) or higher from any release prior to Cisco NX-OS Release 7.3(0)N1(1), the switch will be isolated from the network. In such a scenario, the GIR maintenance mode configuration that was applied before upgrading the switch has to be manually removed from the switch to restore normal operation. This process of manually removing the GIR maintenance mode configuration will have to be done whenever the switch is rebooted.

However, this issue can be permanently resolved by downgrading the switch to the previous version, which can be any release prior to Cisco NX-OS Release 7.3(0)N1(1), removing the GIR configuration, and then upgrading to Cisco NX-OS Release 7.3(0)N1(1) or higher without GIR.

# Performing the GIR Cycle

## Procedure

- 
- Step 1** (Optional) Create the maintenance mode profile file.  
See [Configuring the Maintenance Mode Profile File, on page 435](#).
- Step 2** (Optional) Create the normal mode profile file.  
See [Configuring the Normal Mode Profile File, on page 431](#).
- Step 3** Take a snapshot before entering maintenance mode.  
See [Creating a Snapshot, on page 433](#).
- Step 4** Put the switch into maintenance mode.  
See [Entering Maintenance Mode, on page 433](#).
- Step 5** (Optional) Enter the `copy running-config startup-config` command.
- Step 6** Return the switch to normal mode.  
See [Returning to Normal Mode, on page 434](#).
- Step 7** Take a snapshot after returning to normal mode.  
See [Creating a Snapshot, on page 433](#).
- 

# Configuring the Normal Mode Profile File

## Procedure

|               | Command or Action                                                     | Purpose                                                                                                                                                                                                      |
|---------------|-----------------------------------------------------------------------|--------------------------------------------------------------------------------------------------------------------------------------------------------------------------------------------------------------|
| <b>Step 1</b> | switch# <code>configure terminal</code>                               | Enters global configuration mode.                                                                                                                                                                            |
| <b>Step 2</b> | switch(config)# <code>configure profile normal-mode type admin</code> | Enters a configuration session for the normal mode profile file.<br><br><b>Note</b> Depending on which protocols you have configured, you must now enter the appropriate commands to bring up the protocols. |
| <b>Step 3</b> | switch# <code>end</code>                                              | Closes the normal mode profile file.                                                                                                                                                                         |

## Example

This example shows how to create a normal mode profile file:

```
switch# configure terminal
switch(config)# configure profile normal-mode type admin
switch(config-profile)# router ospf 100
switch(config-profile-router)# no shutdown
switch(config-profile-router)# exit
switch(config-profile)# router eigrp 101
switch(config-profile-router)# no shutdown
switch(config-profile-router)# exit
switch(config-profile)# router isis 102
switch(config-profile-router)# no shutdown
switch(config-profile-router)# no set-overload-bit always
switch(config-profile-router)# exit
switch(config-profile)# router bgp 103
switch(config-profile-router)# no shutdown
switch(config-profile-router)# exit
switch(config-profile)# vpc domain 20
switch(config-profile-router)# no shutdown
switch(config-profile-router)# exit
switch(config-profile)# no system interface shutdown
switch(config-profile)# end
Exit configure profile mode.
switch#
```

This example shows how to create a normal mode custom profile file:

```
switch# configure terminal
switch(config)# configure profile normal-mode type admin
switch(config-profile)# router bgp 65501
switch(config-profile-router)# no shutdown
switch(config-profile-router)# exit
switch(config-profile)# router eigrp 100
switch(config-profile-router)# no shutdown
switch(config-profile-router)# exit
switch(config-profile)# address-family ipv6 unicast
switch(config-profile)# no shutdown
switch(config-profile)# router eigrp 600
switch(config-profile-router)# no shutdown
switch(config-profile-router)# exit
switch(config-profile)# address-family ipv6 unicast
switch(config-profile-router)# no shutdown
switch(config-profile-router)# exit
switch(config-profile)# router ospf 100
switch(config-profile-router)# no shutdown
switch(config-profile-router)# exit
switch(config-profile)# router ospfv3 ospf_ipv6
switch(config-profile-router)# no shutdown
switch(config-profile-router)# exit
switch(config-profile)# router isis isp
switch(config-profile-router)# no set-overload-bit always
switch(config-profile-router)# exit
switch(config-profile)# vpc domain 2
switch(config-profile-router)# no shutdown
switch(config-profile-router)# exit
switch(config-profile)# no system interface shutdown
switch(config-profile)# end
Exit configure profile mode.
switch#
```

# Creating a Snapshot

## Procedure

|               | Command or Action                                      | Purpose                                                                                                                                       |
|---------------|--------------------------------------------------------|-----------------------------------------------------------------------------------------------------------------------------------------------|
| <b>Step 1</b> | switch# <b>snapshot create</b> <i>name description</i> | Creates a snapshot. The <i>name</i> variable can be 64 characters in length. The <i>description</i> variable can be 256 characters in length. |

## Example

This example shows how to create a snapshot:

```
switch# snapshot create snap1 For documentation purposes.
Executing show interface... Done
Executing show bgp sessions vrf all... Done
Executing show ip eigrp topology summary... Done
Executing show ipv6 eigrp topology summary... Done
Executing show vpc... Done
Executing show ip ospf vrf all... Done
Feature 'ospfv3' not enabled, skipping...
Executing show isis vrf all... Done
Snapshot 'snap1' created
switch#
```

# Entering Maintenance Mode

## Before you begin

If you are going to create your own profile rather than let the **system mode maintenance** command do it for you, see [Configuring the Maintenance Mode Profile File, on page 435](#).

## Procedure

|               | Command or Action                                                                  | Purpose                                                                                                                                                                                                                                                                                                                                           |
|---------------|------------------------------------------------------------------------------------|---------------------------------------------------------------------------------------------------------------------------------------------------------------------------------------------------------------------------------------------------------------------------------------------------------------------------------------------------|
| <b>Step 1</b> | switch# <b>configure terminal</b>                                                  | Enters global configuration mode.                                                                                                                                                                                                                                                                                                                 |
| <b>Step 2</b> | switch(config)# <b>system mode maintenance</b><br>[ <b>dont-generate-profile</b> ] | Executes a previously created maintenance mode profile file or dynamically creates a maintenance mode profile file. The <b>dont-generate-profile</b> option suppresses the creation of the maintenance mode profile file.<br><br><b>Note</b> The system prompts you to continue. Enter <b>y</b> to continue or <b>n</b> to terminate the process. |

The switch is now in maintenance mode.



**Note** It is not possible to perform an in-service software downgrade (ISSD) in maintenance mode.

### Example

This example shows how to place the switch in maintenance mode by using a previously created maintenance mode profile file:

```
switch# configure terminal
switch(config)# system mode maintenance dont-generate-profile
Do you want to continue (y/n)? [n] y

Progressing.....Done.

System mode operation completed successfully
switch(config)#
```

## Returning to Normal Mode

### Procedure

|               | Command or Action                                                         | Purpose                                                                                                                                                                                                                                                                                                                                                                     |
|---------------|---------------------------------------------------------------------------|-----------------------------------------------------------------------------------------------------------------------------------------------------------------------------------------------------------------------------------------------------------------------------------------------------------------------------------------------------------------------------|
| <b>Step 1</b> | switch# <b>configure terminal</b>                                         | Enters global configuration mode.                                                                                                                                                                                                                                                                                                                                           |
| <b>Step 2</b> | switch(config)# <b>no system mode maintenance [dont-generate-profile]</b> | Executes a previously created normal mode profile file or a dynamically created normal mode profile file. The <b>dont-generate-profile</b> option suppresses the creation of the normal mode profile file.<br><br><b>Note</b> The system prompts you to continue. Enter <b>y</b> to continue or <b>n</b> to terminate the process.<br><br>The switch is now in normal mode. |

### Example

This example shows how to return to normal mode from maintenance mode:

```
switch# configure terminal
switch(config)# no system mode maintenance dont-generate-profile
Do you want to continue (y/n)? [n] y

Progressing.....Done.

System mode operation completed successfully
```



```
switch(config)#
```

## Configuring the Maintenance Mode Profile File

### Procedure

|               | Command or Action                                                    | Purpose                                                                                                                                                                                                             |
|---------------|----------------------------------------------------------------------|---------------------------------------------------------------------------------------------------------------------------------------------------------------------------------------------------------------------|
| <b>Step 1</b> | switch# <b>configure terminal</b>                                    | Enters global configuration mode.                                                                                                                                                                                   |
| <b>Step 2</b> | switch(config)# <b>configure profile maintenance-mode type admin</b> | Enters a configuration session for the maintenance mode profile file.<br><br><b>Note</b> Depending on which protocols you have configured, you must now enter the appropriate commands to bring down the protocols. |
| <b>Step 3</b> | switch# <b>end</b>                                                   | Closes the maintenance mode profile file.                                                                                                                                                                           |

### Example

This example shows how to create a maintenance mode profile file:

```
switch# configure terminal
switch(config)# configure profile maintenance-mode type admin
switch(config-profile)# router ospf 100
switch(config-profile-router)# shutdown
switch(config-profile-router)# exit
switch(config-profile)# router eigrp 101
switch(config-profile-router)# shutdown
switch(config-profile-router)# exit
switch(config-profile)# router isis 102
switch(config-profile-router)# shutdown
switch(config-profile-router)# set-overload-bit always
switch(config-profile-router)# exit
switch(config-profile)# router bgp 103
switch(config-profile-router)# shutdown
switch(config-profile-router)# exit
switch(config-profile)# vpc domain 20
switch(config-profile-router)# shutdown
switch(config-profile-router)# exit
switch(config-profile)# system interface shutdown
switch(config-profile)# end
Exit configure profile mode.
switch#
```

This example shows how to create a maintenance mode custom profile file:

```
switch# configure terminal
switch(config)# configure profile maintenance-mode type admin
switch(config-profile)# router bgp 65501
switch(config-profile-router)# shutdown
```

```

switch(config-profile-router)# exit
switch(config-profile)# address-family ipv6 unicast
switch(config-profile)# shutdown
switch(config-profile)# router eigrp 600
switch(config-profile-router)# shutdown
switch(config-profile-router)# exit
switch(config-profile)# address-family ipv6 unicast
switch(config-profile-router)# shutdown
switch(config-profile-router)# exit
switch(config-profile)# router ospf 100
switch(config-profile-router)# shutdown
switch(config-profile-router)# exit
switch(config-profile)# router ospfv3 ospf_ipv6
switch(config-profile-router)# shutdown
switch(config-profile-router)# exit
switch(config-profile)# router isis isp
switch(config-profile-router)# set-overload-bit always
switch(config-profile-router)# exit
switch(config-profile)# vpc domain 2
switch(config-profile-router)# shutdown
switch(config-profile-router)# exit
switch(config-profile)# system interface shutdown
switch(config-profile)# end
Exit configure profile mode.
switch#

```

This example shows how to create a maintenance mode profile for IPv6 protocols:

```

switch# configure terminal
switch(config)# configure profile maintenance-mode type admin
switch(config-profile)# router ospfv3 ospf_ipv6
switch(config-profile-router)# shutdown
switch(config-profile-router)# exit
switch(config-profile)# router eigrp 660
switch(config-profile-router)# address-family ipv6 unicast
switch(config-profile-router-af)# shutdown
switch(config-profile-router-af)# exit
switch(config-profile-router)# router isis isp
switch(config-profile-router)# set-overload-bit always
switch(config-profile-router)# exit
switch(config-profile)# router bgp 65551
switch(config-profile)# address-family ipv6 unicast
switch(config-profile-router)# shutdown
switch(config-profile-router)# exit
switch(config-profile)#

```

## Verifying GIR

Use one of the following commands to verify the configuration:

| Command                                                                 | Purpose                                     |
|-------------------------------------------------------------------------|---------------------------------------------|
| <b>show system mode</b>                                                 | Displays current system mode.               |
| <b>show interface brief</b>                                             | Displays abbreviated interface information. |
| <b>show snapshots <i>before-maintenance-mode</i> <i>description</i></b> | Displays snapshots present on the switch.   |

| Command                               | Purpose                                           |
|---------------------------------------|---------------------------------------------------|
| <code>show config-profile name</code> | Displays the details of the config-profile files. |

**show system mode Command**

```
switch# show system mode
System Mode : Maintenance
```

**show interface brief Command**

```
switch# show interface brief
```

```
-----
```

| Ethernet Interface | VLAN | Type | Mode   | Status | Reason           | Speed  | Port Ch # |
|--------------------|------|------|--------|--------|------------------|--------|-----------|
| Eth1/1             | - -  | eth  | routed | down   | sysIntfShut      | 10G(D) | - -       |
| Eth1/2             | - -  | eth  | routed | down   | sysIntfShut      | 10G(D) | - -       |
| Eth1/3             | - -  | eth  | routed | down   | sysIntfShut      | 10G(D) | - -       |
| Eth1/4             | - -  | eth  | routed | down   | sysIntfShut      | 10G(D) | - -       |
| Eth1/5             | - -  | eth  | routed | down   | sysIntfShut      | 10G(D) | - -       |
| Eth1/6             | - -  | eth  | routed | down   | sysIntfShut      | 10G(D) | - -       |
| Eth1/7             | - -  | eth  | routed | down   | SFP not inserted | 10G(D) | - -       |
| Eth1/8             | - -  | eth  | routed | down   | SFP not inserted | 10G(D) | - -       |
| Eth1/9             | - -  | eth  | routed | down   | SFP not inserted | 10G(D) | - -       |
| Eth1/10            | - -  | eth  | routed | down   | SFP not inserted | 10G(D) | - -       |
| Eth1/12            | - -  | eth  | routed | down   | SFP not inserted | 10G(D) | - -       |
| Eth1/13            | - -  | eth  | routed | down   | SFP not inserted | 10G(D) | - -       |
| Eth1/14            | - -  | eth  | routed | down   | SFP not inserted | 10G(D) | - -       |
| Eth1/15            | - -  | eth  | routed | down   | SFP not inserted | 10G(D) | - -       |
| Eth1/16            | - -  | eth  | routed | down   | SFP not inserted | 10G(D) | - -       |

```
-----
```

| Port-channel Interface | VLAN | Type | Mode   | Status | Reason                 | Speed   | Protocol |
|------------------------|------|------|--------|--------|------------------------|---------|----------|
| Po1                    | 1    | eth  | access | down   | No operational members | auto(I) | none     |
| Po100                  | 1    | eth  | access | down   | No operational members | auto(I) | none     |

```
-----
```

| Port  | VRF | Status | IP Address | Speed | MTU  |
|-------|-----|--------|------------|-------|------|
| mgmt0 | - - | up     | 192.0.0.1  | 1000  | 1500 |

```
switch#
```

**show snapshots Command**

```
switch# show snapshots
Snapshot Name
```

```
-----
```

|                             |                          |                          |
|-----------------------------|--------------------------|--------------------------|
| snapshot_before_maintenance | Wed Sep 10 20:19:31 2014 | system-internal-snapshot |
| snapshot_after_maintenance  | Wed Sep 10 20:29:54 2014 | system-internal-snapshot |
| snap1                       | Wed Sep 10 20:36:15 2014 | For testing              |

**show config-profile Command**

```
switch# show config-profile

config-profile maintenance-mode type admin
  router ospf 100
    shutdown
  router eigrp 101
    shutdown
  router isis 102
    set-overload-bit always
  router bgp 103
    shutdown
  vpc domain 20
    shutdown
  system interface shutdown exclude fex-fabric

config-profile normal-mode type admin
  router ospf 100
    no shutdown
  router eigrp 101
    no shutdown
  router isis 102
    no set-overload-bit always
  router bgp 103
    no shutdown
  vpc domain 20
    no shutdown
  no system interface shutdown
```



## CHAPTER 24

# Performing Software Maintenance Upgrades

This chapter describes how to perform software maintenance upgrades on Cisco NX-OS devices.

This chapter contains the following sections:

- [Prerequisites for SMUs, on page 439](#)
- [Guidelines and Limitations for SMUs, on page 439](#)
- [Information About Performing a Software Maintenance Upgrades, on page 440](#)
- [Performing a Software Maintenance Upgrade for Cisco NX-OS, on page 442](#)
- [Where to Go Next, on page 454](#)
- [Additional References, on page 454](#)
- [Feature Information for Performing Software Maintenance Upgrades, on page 455](#)

## Prerequisites for SMUs

These prerequisites must be met for a package to be activated or deactivated:

- You must be in a user group associated with a task group that includes the proper task IDs. If you suspect a user group assignment is preventing you from using a command, contact your AAA administrator for assistance.
- Verify that all line cards are installed and operating properly. For example, do not activate or deactivate packages while line cards are booting, while line cards are being upgraded or replaced, or when you anticipate an automatic switchover activity.
- In a dual-supervisor system, both the active and standby supervisor modules have to be synchronized with each other.

## Guidelines and Limitations for SMUs

SMUs have the following guidelines and limitations:

- Some packages require the activation or deactivation of other packages. If the SMUs have dependencies on each other, you cannot activate them without first activating the previous ones.
- The package being activated must be compatible with the current active software set.
- You cannot activate multiple SMUs in one command.

- Per-VDC SMUs are not supported.
- Activation is performed only after the package compatibility checks have been passed. If a conflict is found, an error message displays.
- While a software package is being activated, other requests are not allowed to run on any of the impacted nodes. Package activation is completed when a message similar to this one appears:  

```
Install operation 1 completed successfully at Thu Jan 9 01:19:24 2014
```
- Each CLI install request is assigned a request ID, which can be used later to review the events.
- SMUs are dependent on your physical device. So, an SMU for the Cisco Nexus 7000 Series will not work for the Cisco Nexus 7700 Series and vice versa.
- If you perform a software maintenance upgrade and later upgrade your device to a new Cisco NX-OS software release, the new image will overwrite both the previous Cisco NX-OS release and the SMU package file.
- SMUs are dependent on the version of Cisco NX-OS software release installed. You need to install SMUs compatible with your release. Moving to another Cisco NX-OS software release using reload or ISSU will inactivate the SMUs installed for the previously installed Cisco NX-OS software release. For example, if you have SMUs for Cisco NX-OS Release 7.2.0 in your Supervisor 2 setup, moving to an image of another release, say Cisco NX-OS Release 7.2.2 will cause the SMU to become inactive.
- SMU will be deactivated if you are loading an image of the Cisco NX-OS software release prior to NX-OS Release 7.2.0 that does not support SMUs. However, moving back to Cisco NX-OS Release 7.2.0 will activate the SMU.

## Information About Performing a Software Maintenance Upgrades

### Overview of SMUs

Typically, SMUs do not have a large impact on device operations. SMU versions are synchronized to the package major, minor, and maintenance versions they upgrade.

SMUs are not an alternative to maintenance releases. They provide a quick resolution of immediate issues. All defects fixed by SMUs are integrated into the maintenance releases.

Actual deployment of SMUs might vary based on your device. Usually, software can be patched simply by restarting the process. However, based on the device, if the process to be patched cannot be restarted, the SMU is implemented either through a reload or ISSU.

The effect of an SMU depends on its type:

- Process restart SMU—Causes a process or group of processes to restart on activation.
- Reload SMU—Causes a reload of the whole switch and a parallel reload of supervisors and line cards.
- Line card SMU—Based on the line card type. The supervisor pushes the SMU to all impacted line cards. Activation of the line card SMU requires a reload of the switch.

- Prerequisite SMU—Requires activation before a dependent SMU is loaded. A SMU can have one or more SMU as prerequisites.
- Supersede SMU— Contains cumulative fix for previously loaded SMUs and supersedes the former.

For information on upgrading your device to a new feature or maintenance release, see the *Cisco Nexus 7000 Series NX-OS Software Upgrade and Downgrade Guide*.

An SMU consists of the SMU binary file. The naming convention for an SMU is as below:

```
<platform>-<pkg-type>.<release_version>.<CDET>.<file-type>
```

For example:

```
n7700-s2-dk9.7.2.0.D1.1.CSCuo07721.bin
```

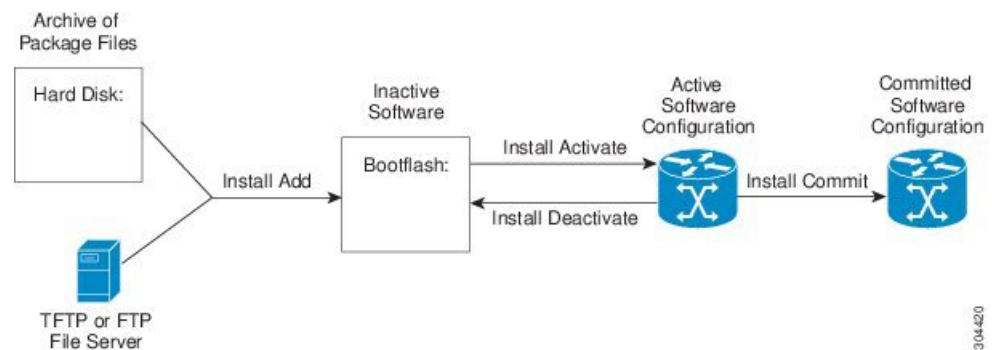
## Package Management

The general procedure for adding and activating SMU packages on the device is as follows:

1. Copy the package file or files to a local storage device or file server.
2. Add the package or packages on the device using the **install add** command.
3. Activate the package or packages on the device using the **install activate** command.
4. (Optional) Deactivate and remove the package, when desired.

The following figure illustrates the key steps in the package management process.

**Figure 9: Process to Add, Activate, and Commit SMU Packages**



## Impact of Package Activation and Deactivation

The activation or deactivation of an SMU package can have an immediate impact on the system. The system can be affected in the following ways:

- New processes might be started.
- Running processes might be stopped or restarted.
- All processes on the line cards can be patched and only those processes that can be restarted are restarted. Restarting processes in the line cards are equivalent to a soft reset.
- For line card SMUs, the system behaves as if it were going through an upgrade.
- The line cards might reload.

- The complete system might reload.
- No processes in the line cards might be affected.



**Note** You must address any issues that result from the revised configuration and reapply the configuration, if necessary.



**Tip** When you activate packages, use the **test** option to test the effects of a command without impacting the running system. After the activation process completes, enter the **show install log** command to display the process results.

# Performing a Software Maintenance Upgrade for Cisco NX-OS

## Preparing for Package Installation

You should use several **show** commands to gather information in preparation for the SMU package installation.

### Before you begin

Determine if a software change is required.

Verify that the new package is supported on your system. Some software packages require that other packages or package versions be activated, and some packages support only specific line cards.

Review the release notes for important information related to that release and to help determine the package compatibility with your device configuration.

Verify that the system is stable and prepared for the software changes.

### Procedure

|               | Command or Action                                                            | Purpose                                                                                                                |
|---------------|------------------------------------------------------------------------------|------------------------------------------------------------------------------------------------------------------------|
| <b>Step 1</b> | <b>show install active</b><br><b>Example:</b><br>switch# show install active | Displays the active software on the device. Use this command to determine what software should be added on the device. |
| <b>Step 2</b> | <b>show module</b><br><b>Example:</b><br>switch# show module                 | Confirms that all modules are in the stable state.                                                                     |
| <b>Step 3</b> | <b>show clock</b><br><b>Example:</b><br>switch# show clock                   | Verifies that the system clock is correct. Software operations use certificates based on device clock times.           |



|               | Command or Action                                                                                                                       | Purpose                                                                                                                 |
|---------------|-----------------------------------------------------------------------------------------------------------------------------------------|-------------------------------------------------------------------------------------------------------------------------|
| <b>Step 4</b> | <b>show install pkg-info <i>SMU_name</i></b><br><b>Example:</b><br>Device# show install pkg-info n7700-s2-dk9.7.2.0.D1.1.CSCuo07721.bin | Displays details regarding the contents of the SMU, that is, SMU restart type, platform, processes affected, and so on. |

### Example

This example shows how to display the active packages for the entire system. Use this information to determine if a software change is required.

Before SMU installation:

```
switch# show install active

Boot Images:

Kickstart Image: bootflash:/ n7700-s2-kickstart.7.2.0.D1.1.bin
System Image: bootflash:/ n7700-s2-dk9.7.2.0.D1.1.bin

Active Packages:
Active Packages on Module #1:
```

After SMU installation:

```
Switch# show install active

Boot Images:

Kickstart Image: bootflash:/n7700-s2-kickstart.7.2.0.D1.1.bin
System Image: bootflash:/n7700-s2-dk9.7.2.0.D1.1.bin

Active Packages:

  n7700-s2-dk9.7.2.0.D1.1.CSCuo07721.bin

Active Packages on Module #1:
  n7700-s2-dk9.7.2.0.D1.1.CSCuo07721.bin
```

This example shows how to display the current system clock setting:

```
switch# show clock

02:14:51.474 PST Wed Jan 04 2014
```

This example shows how to display details of the installed package. Use this information to determine if a software change is required.

```
switch# show install pkg-info n7700-s2-dk9.7.2.0.D1.1. CSCuo07721.bin

Contents of Package file 'n7700-s2-dk9.7.2.0.D1.1.CSCuo07721.bin'
  Expiry date: Sun Oct 22 11:39:35 2017
  Uncompressed size: 224905
  Vendor: Cisco Systems
  Restart type: restart
  Desc: Bug Fix for CDET: CSCuo07721
  Build: Built on Tue Aug 4 01:12:10 2015
  Source: By Unknown
  Platform: Nexus7700
```

```

Supersedes: None
Superseded By: None
Pre-requisite: None
Restart information: Ethpm
Pre-install activate scripts: None
Post-install activate scripts: None
Pre-install deactivate scripts: None
Post-install deactivate scripts: None

```

## Downloading the SMU Package File from Cisco.com

Follow these steps to download the SMU package file:

### Procedure

- 
- Step 1** Log in to Cisco.com.
  - Step 2** Go to the Download Software page at this URL: <http://software.cisco.com/download/navigator.html>
  - Step 3** In the Select a Product list, choose **Switches > Data Center Switches > Cisco Nexus 7000 Series Switches > model**.
  - Step 4** Choose the appropriate SMU file for your device and click **Download**.
- 

## Copying the Package File to a Local Storage Device or Network Server

You must copy the SMU package file to a local storage device or a network file server to which the device has access. After this task is done, the package can be added and activated on the device.

If you need to store package files on the device, we recommend that you store the files on the hard disk. The boot device is the local disk from which the package is added and activated. The default boot device is bootflash..




---

**Tip** Before you copy package files to a local storage device, use the **dir** command to determine if the required package files are already on the device.

---




---

**Tip** Verify there is enough space on the bootflash.

---

If the SMU package files are located on a remote TFTP, FTP, SCP, or SFTP server, you can copy the files to a local storage device. After the files are located on the local storage device, the package can be added and activated on the device from that storage device. The following server protocols are supported:

- Trivial File Transfer Protocol—TFTP allows files to be transferred from one computer to another over a network, usually without the use of client authentication (for example, username and password). It is a simplified version of FTP.



**Note** Some package files might be larger than 32 MB, and the TFTP services provided by some vendors might not support a file this large. If you do not have access to a TFTP server that supports files larger than 32 MB, download the file using FTP.

- File Transfer Protocol—FTP is part of the TCP/IP protocol stack and requires a username and password.
- Secure Copy—SCP allows files to be transferred from a network server that supports Secure Shell (SSH) and uses the secure copy protocol(SCP).
- SSH File Transfer Protocol—SFTP is part of the SSHv2 feature in the security package and provides for secure file transfers. For more information, see the *Cisco Nexus 7000 Series NX-OS Security Configuration Guide*.



**Note** Consult your system administrator for the location and availability of your network server.

Use the commands in the following table to copy the SMU package file from the server to your device using the file transfer protocols.

**Table 44: Commands for Copying SMU Package Files to the Device**

| Command                                                                                                                                                                                      | Purpose                                                                                                                                                                                                                                                                                                                                                                                               |
|----------------------------------------------------------------------------------------------------------------------------------------------------------------------------------------------|-------------------------------------------------------------------------------------------------------------------------------------------------------------------------------------------------------------------------------------------------------------------------------------------------------------------------------------------------------------------------------------------------------|
| <p><b>copy tftp://hostname-or-ipaddress/directory-path/filename<br/>bootflash:</b></p> <pre>switch# copy tftp://10.1.1.1/images/<br/>n7700-s2-dk9.7.2.0.D1.1.CSCuo07721.bin bootflash:</pre> | <p>Copies the package file from the TFTP server to the bootflash:</p> <ul style="list-style-type: none"> <li>• <i>hostname-or-ipaddress</i>—The hostname or IP address of the network file server.</li> <li>• <i>directory-path</i>—The network file server path that leads to the package file to be added.</li> <li>• <i>filename</i>—The name of the package file that you want to add.</li> </ul> |

| Command                                                                                                                                                                                                                                  | Purpose                                                                                                                                                                                                                                                                                                                                                                                                                                                                                                                                                                                                                                                                                                                                                                                                                                                                                                                                                                                                                                                                                                                                                                                                                                                                              |
|------------------------------------------------------------------------------------------------------------------------------------------------------------------------------------------------------------------------------------------|--------------------------------------------------------------------------------------------------------------------------------------------------------------------------------------------------------------------------------------------------------------------------------------------------------------------------------------------------------------------------------------------------------------------------------------------------------------------------------------------------------------------------------------------------------------------------------------------------------------------------------------------------------------------------------------------------------------------------------------------------------------------------------------------------------------------------------------------------------------------------------------------------------------------------------------------------------------------------------------------------------------------------------------------------------------------------------------------------------------------------------------------------------------------------------------------------------------------------------------------------------------------------------------|
| <p><b>copy</b><br/> <b>ftp://username:password@hostname-or-ipaddress/directory-path/filename</b><br/> <b>bootflash:</b></p> <pre>switch# copy ftp://john:secret@10.1.1.1/images/ n7700-s2-dk9.7.2.0.D1.1.CSCuo07721.bin bootflash:</pre> | <p>Copies the package file from the FTP server to the bootflash:</p> <ul style="list-style-type: none"> <li>• <i>username</i>—The username of the user who has access privileges to the directory in which the package file is stored.</li> <li>• <i>password</i>—The password associated with the username of the user who has access privileges to the directory in which the package file is stored. If a password is not provided, the networking device accepts anonymous FTP.</li> <li>• <i>hostname-or-ipaddress</i>—The hostname or IP address of the network file server.</li> <li>• <i>directory-path</i>—The network file server path that leads to the package file to be added. The specified directory should be a directory under the home directory of the user. In this example, the file being downloaded is in a subdirectory called "images" in the home directory of the user "john."</li> </ul> <p><b>Note</b> For FTP services, <i>directory-path</i> is the directory relative to the <i>username</i> home directory. If you want to specify an absolute path for the directory, you must add a “/” following the server address.</p> <ul style="list-style-type: none"> <li>• <i>filename</i>—The name of the package file that you want to add.</li> </ul> |

| Command                                                                                                                                                                                                                                    | Purpose                                                                                                                                                                                                                                                                                                                                                                                                                                    |
|--------------------------------------------------------------------------------------------------------------------------------------------------------------------------------------------------------------------------------------------|--------------------------------------------------------------------------------------------------------------------------------------------------------------------------------------------------------------------------------------------------------------------------------------------------------------------------------------------------------------------------------------------------------------------------------------------|
| <p><b>copy sftp://hostname-or-ipaddress/directory-path/filename<br/>bootflash:</b></p> <pre>switch# copy sftp://10.1.1.1/images n7700-s2-dk9.7.2.0.D1.1.CSCuo07721.bin bootflash:</pre>                                                    | <p>Copies the package file from the SFTP server to the bootflash:</p> <ul style="list-style-type: none"> <li>• <i>username</i>—The username of the user who has access privileges to the directory in which the package file is stored.</li> <li>• <i>directory-path</i>—The network file server path that leads to the package file to be added.</li> <li>• <i>filename</i>—The name of the package file that you want to add.</li> </ul> |
| <p><b>copy scp://username@scpserver.cisco.com//directory-path/filename<br/>bootflash:</b></p> <pre>switch# copy scp://john@10.1.1.1/download/n7700-s2-dk9.7.2.0.D1.1.CSCuo07721.bin bootflash:n7700-s2-dk9.7.2.0.D1.1.CSCuo07721.bin</pre> | <p>Copies the package file from the SCP server to the bootflash:</p> <ul style="list-style-type: none"> <li>• <i>hostname-or-ipaddress</i>—The hostname or IP address of the network file server.</li> <li>• <i>directory-path</i>—The network file server path that leads to the package file to be added.</li> <li>• <i>filename</i>—The name of the package file that you want to add.</li> </ul>                                       |

After the SMU package file has been transferred to a network file server or the local storage device, you are ready to add and activate the file.

## Adding and Activating Packages

You can add SMU package files that are stored on a local storage device or on a remote TFTP, FTP, or SFTP server to your device.



**Note** The SMU package being activated must be compatible with the currently active software to operate. When activation is attempted, the system runs an automatic compatibility check to ensure that the package is compatible with the other active software on the device. If a conflict is found, an error message displays. The activation is performed only after all compatibility checks have been passed.



**Note** Activating an SMU for a process does not deactivate SMUs applied for other processes. However, previously active SMUs for the same process will be deactivated.

**Before you begin**

Make sure that all packages to be added are present on a local storage device or a network file server.

Make sure that you meet all of the prerequisites for the activation of packages.

Complete the procedure described in [Copying the Package File to a Local Storage Device or Network Server](#).

**Procedure**

|               | Command or Action                                                                                                                                 | Purpose                                                                                                                                                                                                                                                                                                                                                                                                                                                                                                                                                                                                                                                                                                                                                                                                                                                                                                                                                                                                                                                  |
|---------------|---------------------------------------------------------------------------------------------------------------------------------------------------|----------------------------------------------------------------------------------------------------------------------------------------------------------------------------------------------------------------------------------------------------------------------------------------------------------------------------------------------------------------------------------------------------------------------------------------------------------------------------------------------------------------------------------------------------------------------------------------------------------------------------------------------------------------------------------------------------------------------------------------------------------------------------------------------------------------------------------------------------------------------------------------------------------------------------------------------------------------------------------------------------------------------------------------------------------|
| <b>Step 1</b> | Connect to the console port and log in.                                                                                                           | Establishes a CLI management session to the console port.                                                                                                                                                                                                                                                                                                                                                                                                                                                                                                                                                                                                                                                                                                                                                                                                                                                                                                                                                                                                |
| <b>Step 2</b> | (Optional) <b>dir bootflash:</b>                                                                                                                  | Displays the package files that are available to be added.<br><br><b>Note</b> Only SMU package files can be added and activated using this procedure.                                                                                                                                                                                                                                                                                                                                                                                                                                                                                                                                                                                                                                                                                                                                                                                                                                                                                                    |
| <b>Step 3</b> | <b>install add filename [activate]</b><br><br><b>Example:</b><br><pre>switch# install add bootflash: n7700-s2-dk9.7.2.0.D1.1.CSCuo07721.bin</pre> | Unpacks the package software files from the local storage device or network server and adds them to the bootflash: on active and standby supervisors.<br><br>Installs the SMU code from the local storage device or network server and adds them to the bootflash: on the active and standby supervisor. After the <b>install add</b> process, the SMU patch still requires activation as described in steps 4-7.<br><br>The <i>filename</i> argument can take any of these formats: <ul style="list-style-type: none"> <li>• <b>bootflash:</b><i>filename</i></li> <li>• <b>tftp:</b><i>//hostname-or-ipaddress/directory-path/filename</i></li> <li>• <b>ftp:</b><i>//username:password@hostname-or-ipaddress/directory-path/filename</i></li> <li>• <b>sftp:</b><i>//hostname-or-ipaddress/directory-path/filename</i></li> <li>• <b>usb1:</b><i>filename</i></li> </ul> Multiple versions of an SMU package can be added to the storage device without impacting the currently running software, but only one version of a package can be activated. |

|               | Command or Action                                                                                                                                                                                                            | Purpose                                                                                                                                                                                                                                                                                                                                                                                                                                                                                                                                                                                                                                                                                             |
|---------------|------------------------------------------------------------------------------------------------------------------------------------------------------------------------------------------------------------------------------|-----------------------------------------------------------------------------------------------------------------------------------------------------------------------------------------------------------------------------------------------------------------------------------------------------------------------------------------------------------------------------------------------------------------------------------------------------------------------------------------------------------------------------------------------------------------------------------------------------------------------------------------------------------------------------------------------------|
|               |                                                                                                                                                                                                                              | <p><b>Note</b> Though the <b>install add</b> function copies the SMU code to any standby supervisor present in the system, it does not copy the SMU .bin file to a standby supervisor bootflash, as the SMU .bin file is not required on both active and standby bootflash. It can manually be copied to the standby bootflash, if required.</p>                                                                                                                                                                                                                                                                                                                                                    |
| <b>Step 4</b> | (Optional) <b>show install inactive</b><br><b>Example:</b><br><pre>switch# show install inactive</pre>                                                                                                                       | Displays the inactive packages on the device. Verify that the package added in the previous step appears in the display.                                                                                                                                                                                                                                                                                                                                                                                                                                                                                                                                                                            |
| <b>Step 5</b> | Required: <b>install activate filename [test]</b><br><b>Example:</b><br><pre>switch# install activate n7700-s2- dk9.7.2.0.D1.1.CSCuo07721.bin  Install operation 158 completed successfully at Tue Jun 9 19:09:33 2015</pre> | Activates a package that was added to the device. SMU packages remain inactive until activated. (Skip this step if the package was activated earlier with the <b>install add activate</b> command.)<br><br><p><b>Note</b> Press <b>?</b> after a partial package name to display all possible matches available for activation. If there is only one match, press the <b>Tab</b> key to fill in the rest of the package name.</p> <p><b>Tip</b> When you activate packages, use the <b>test</b> keyword to test the effects of a command without impacting the running system. After the activation process finishes, enter the <b>show install log</b> command to display the process results.</p> |
| <b>Step 6</b> | Repeat Step 5 until all packages are activated.                                                                                                                                                                              | Activates additional packages as required.                                                                                                                                                                                                                                                                                                                                                                                                                                                                                                                                                                                                                                                          |
| <b>Step 7</b> | (Optional) <b>show install active</b><br><b>Example:</b><br><pre>switch# show install active</pre>                                                                                                                           | Displays all active packages. Use this command to determine if the correct packages are active.                                                                                                                                                                                                                                                                                                                                                                                                                                                                                                                                                                                                     |

## Committing the Active Package Set

When an SMU package is activated on the device, it becomes part of the current running configuration. To make the package activation persistent across system-wide reloads, you must commit the package on the device.



**Note** On startup, the device loads the committed package set. If the system is reloaded before the current active package is committed, the previously committed package set is used.

### Before you begin

Before you commit a package set, verify that the device is operating correctly and is forwarding packets as expected.

Complete the procedure described in [#unique\\_622](#).

### Procedure

|               | Command or Action                                                                                                                    | Purpose                                                                                         |
|---------------|--------------------------------------------------------------------------------------------------------------------------------------|-------------------------------------------------------------------------------------------------|
| <b>Step 1</b> | <b>install commit <i>filename</i></b><br><b>Example:</b><br><pre>switch# install commit n7700-s2-dk9.7.2.0.D1.1.CSCuo07721.bin</pre> | Commits the current set of packages so that these packages are used if the device is restarted. |
| <b>Step 2</b> | (Optional) <b>show install committed</b><br><b>Example:</b><br><pre>switch# show install committed</pre>                             | Displays which packages are committed.                                                          |

### Example

This example shows how to commit active SMU packages on the device and then verify the committed packages:

```
switch# install commit n7700-s2-dk9.7.2.0.D1.1.CSCuo07721.bin
Install operation 2 completed successfully at Thu Jan 9 01:20:46 2014

switch# show install committed
Boot Images:
  Kickstart Image: bootflash:/n7700-s2-kickstart.7.2.0.D1.1.bin
  System Image: bootflash:/ n7700-s2-dk9.7.2.0.D1.1.bin

Committed Packages:
  n7700-s2-dk9.7.2.0.D1.1.CSCuo07721.bin
```

## Deactivating and Removing Packages

When a package is deactivated, it is no longer active on the device, but the package files remain on the boot disk. The package files can be reactivated later, or they can be removed from the disk.

The Cisco NX-OS software also provides the flexibility to roll back the selected package set to a previously saved package set. If you find that you prefer a previous package set over the currently active package set, you can use the **install deactivate** and **install commit** commands to deactivate the current package and install active and install commit commands to activate the previous package.



### Before you begin

You cannot deactivate a package if it is required by another active package. When you attempt to deactivate a package, the system runs an automatic check to ensure that the package is not required by other active packages. The deactivation is performed only after all compatibility checks have been passed.

You cannot delete a package if it is part of the running or committed software of the device.

### Procedure

|               | Command or Action                                                                                                                                                                                                                                                                                                                           | Purpose                                                                                                                                                                                                                                                                                                                                                                                                                                                                                                                                                                              |
|---------------|---------------------------------------------------------------------------------------------------------------------------------------------------------------------------------------------------------------------------------------------------------------------------------------------------------------------------------------------|--------------------------------------------------------------------------------------------------------------------------------------------------------------------------------------------------------------------------------------------------------------------------------------------------------------------------------------------------------------------------------------------------------------------------------------------------------------------------------------------------------------------------------------------------------------------------------------|
| <b>Step 1</b> | Connect to the console port and log in.                                                                                                                                                                                                                                                                                                     | Establishes a CLI management session to the console port.                                                                                                                                                                                                                                                                                                                                                                                                                                                                                                                            |
| <b>Step 2</b> | <b>install deactivate</b> <i>filename</i><br><b>Example:</b><br><pre>switch# install deactivate n7700-s2-dk9.7.2.0.D1.1.CSCuo07721.bin</pre>                                                                                                                                                                                                | Deactivates a package that was added to the device and turns off the package features for the line card.<br><b>Note</b> Press <b>?</b> after a partial package name to display all possible matches available for deactivation. If there is only one match, press the <b>Tab</b> key to fill in the rest of the package name.                                                                                                                                                                                                                                                        |
| <b>Step 3</b> | (Optional) <b>show install inactive</b><br><b>Example:</b><br><pre>switch# show install inactive</pre>                                                                                                                                                                                                                                      | Displays the inactive packages on the device.                                                                                                                                                                                                                                                                                                                                                                                                                                                                                                                                        |
| <b>Step 4</b> | (Optional) <b>install commit</b><br><b>Example:</b><br><pre>switch# install commit</pre>                                                                                                                                                                                                                                                    | Commits the current set of packages so that these packages are used if the device is restarted.<br><b>Note</b> Packages can be removed only if the deactivation operation is committed.                                                                                                                                                                                                                                                                                                                                                                                              |
| <b>Step 5</b> | (Optional) <b>install remove</b> <i>{filename   inactive}</i><br><b>Example:</b><br><pre>switch# install remove n7700-s2- dk9.7.2.0.D1.1.CSCuo07721.bin Proceed with removing n7700-s2- dk9.7.2.0.D1.1.CSCuo07721.bin? (y/n)? [n] y</pre> <b>Example:</b><br><pre>switch# install remove inactive Proceed with removing? (y/n)? [n] y</pre> | Removes the inactive package. <ul style="list-style-type: none"> <li>• Only inactive packages can be removed.</li> <li>• Packages can be removed only if they are deactivated from all line cards in the device.</li> <li>• The package deactivation must be committed.</li> <li>• To remove a specific inactive package from a storage device, use the <b>install remove</b> command with the <i>filename</i> argument.</li> <li>• To remove all inactive packages from all nodes in the system, use the <b>install remove</b> command with the <b>inactive</b> keyword.</li> </ul> |

**Example**

This example shows how to deactivate a package, commit the changes, and remove the inactive package from the device:

```
switch# install deactivate n7700-s2-dk9.7.2.0.D1.1.CSCuo07721.bin
Install operation 3 completed successfully at Thu Jan 9 01:20:36 2014

switch# show install inactive
Inactive Packages: n7700-s2-dk9.7.2.0.D1.1.CSCuo07721.bin

switch# install commit
Install operation 4 completed successfully at Thu Jan 9 01:20:46 2014

switch# install remove n7700-s2-dk9.7.2.0.D1.1.CSCuo07721.bin
Proceed with removing n7700-s2-dk9.7.2.0.D1.1.CSCuo07721.bin? (y/n)? [n] y
Install operation 5 completed successfully at Thu Jan 9 01:20:57 2014
```

## Displaying Installation Log Information

The installation log provides information on the history of the installation operations. Each time an installation operation is run, a number is assigned to that operation.

- Use the **show install log** command to display information about both successful and failed installation operations.
- Use the **show install log** command with no arguments to display a summary of all installation operations. Specify the *request-id* argument to display information specific to an operation. Use the **detail** keyword to display details for a specific operation, including file changes, nodes that could not be reloaded, and any impact to processes.

This example shows how to display information for all installation requests:

```
switch# show install log
Thu Jan 9 01:26:09 2014
Install operation 1 by user 'admin' at Thu Jan 9 01:19:19 2014
Install add bootflash: n7700-s2-dk9.7.2.0.D1.1.CSCuo07721.bin
Install operation 1 completed successfully at Thu Jan 9 01:19:24 2014
-----
Install operation 2 by user 'admin' at Thu Jan 9 01:19:29 2014
Install activate n7700-s2-dk9.7.2.0.D1.1.bin
Install operation 2 completed successfully at Thu Jan 9 01:19:45 2014
-----
Install operation 3 by user 'admin' at Thu Jan 9 01:20:05 2014
Install commit n7700-s2-dk9.7.2.0.D1.1.bin
Install operation 3 completed successfully at Thu Jan 9 01:20:08 2014
-----
Install operation 4 by user 'admin' at Thu Jan 9 01:20:21 2014
Install deactivate n7700-s2-dk9.7.2.0.D1.1.bin
Install operation 4 completed successfully at Thu Jan 9 01:20:36 2014
-----
Install operation 5 by user 'admin' at Thu Jan 9 01:20:43 2014
Install commit n7700-s2-dk9.7.2.0.D1.1.bin
Install operation 5 completed successfully at Thu Jan 9 01:20:46 2014
-----
Install operation 6 by user 'admin' at Thu Jan 9 01:20:55 2014
Install remove n7700-s2-dk9.7.2.0.D1.1.bin
Install operation 6 completed successfully at Thu Jan 9 01:20:57 2014
-----
```

```
Install operation 7 by user 'admin' at Thu Jan 9 01:21:07 2014
Install remove
Install operation 7 completed successfully at Thu Jan 9 01:21:10 201
```

This example shows how to display additional information, including any impact to nodes and processes:

```
switch# show install log detail
Thu Jan 9 01:24:03 2014
Install operation 1 by user 'admin' at Thu Jan 9 01:19:19 2014
Installer started downloading the package: / n7700-s2-dk9.7.2.0.D1.1.CSCuo07721.bin
via bootflash
Install add bootflash: n7700-s2-dk9.7.2.0.D1.1.CSCuo07721.bin
Copying file at Thu Jan 9 01:19:20 2014
Download success, 238545 bytes received
Verifying package
Checking MD5 at Thu Jan 9 01:19:21 2014
MD5 checksum OK
Checking HW platform at Thu Jan 9 01:19:22 2014
Checking SW platform at Thu Jan 9 01:19:23 2014
Package verified successfully
Sending patch file to plugin manager at Thu Jan 9 01:19:23 2014
The following package is now available to be activated: n7700-s2-dk9.7.2.0.D1.1.CSCuo07721.bin

Install operation 1 completed successfully at Thu Jan 9 01:19:24 2014
-----
Install operation 2 by user 'admin' at Thu Jan 9 01:19:29 2014
Install activate n7700-s2-dk9.7.2.0.D1.1.CSCuo07721.bin
Install activate action started
The software will be activated with process restart
2 processes affected
sysinfo (modified)
vman (modified)
Install operation 2 completed successfully at Thu Jan 9 01:19:45 2014
-----
Install operation 3 by user 'admin' at Thu Jan 9 01:20:05 2014
Install commit n7700-s2-dk9.7.2.0.D1.1.CSCuo07721.bin
MD5 checksum OK for patch: n7700-s2-dk9.7.2.0.D1.1.CSCuo07721.bin
Install operation 3 completed successfully at Thu Jan 9 01:20:08 2014
-----
Install operation 4 by user 'admin' at Thu Jan 9 01:20:21 2014
Install deactivate n7700-s2-dk9.7.2.0.D1.1.bin
Install deactivate action started
The software will be deactivated with process restart
2 processes affected
sysinfo (modified)
vman (modified)
Install operation 4 completed successfully at Thu Jan 9 01:20:36 2014
-----
Install operation 5 by user 'admin' at Thu Jan 9 01:20:43 2014
Install commit n7700-s2-dk9.7.2.0.D1.1.CSCuo07721.bin
MD5 checksum OK for patch: n7700-s2-dk9.7.2.0.D1.1.CSCuo07721.bin
Install operation 5 completed successfully at Thu Jan 9 01:20:46 2014
-----
Install operation 6 by user 'admin' at Thu Jan 9 01:20:55 2014
Install remove n7700-s2-dk9.7.2.0.D1.1.CSCuo07721.bin
Install operation 6 completed successfully at Thu Jan 9 01:20:57 2014
-----
Install operation 7 by user 'admin' at Thu Jan 9 01:21:07 2014
Install remove
Install operation 7 completed successfully at Thu Jan 9 01:21:10 2014
```

This example shows the output after an SMU package has been activated but before the switch has been reloaded:

```
switch# show install log detail
Install operation 18 by user 'admin' at Sun Mar 9 00:42:10 2014
Install activate n7700-s2-dk9.7.2.0.D1.1.CSCuo07721.bin
Install activate action started
The software will be activated with system reload
Install operation 18 !!WARNING!!
This patch will get activated only after a reload of the switch. at Sun Mar 9 00:42:12 2014
```

This example shows the details of the specific SMUs:

```
switch# show install package
Boot Images:
  Kickstart Image: bootflash:/ n7700-s2-kickstart.7.2.0.D1.1.bin
  System Image: bootflash:/ n7700-s2-dk9.7.2.0.D1.1.bin
-----
n7700-s2-dk9.7.2.0.D1.1.CSCuo07721.bin          Active Committed

Modules

  Module #3: Active Committed

  Module #4: Active Committed

n7700-s2-dk9.7.2.0.D1.1.CSCuo07721.bin          Inactive

Modules

  Module #3: Inactive

  Module #4: Inactive
```

## Where to Go Next

For information about configuring control policies, see the "Configuring ISG Control Policies" module.

## Additional References

### Related Documents

| Related Topic              | Document Title                                                            |
|----------------------------|---------------------------------------------------------------------------|
| Software upgrades          | <i>Cisco Nexus 7000 Series NX-OS Software Upgrade and Downgrade Guide</i> |
| System management commands | <i>System Management Command Reference</i>                                |

**Technical Assistance**

| Description                                                                                                                                                                                                                                                                                                                                                                           | Link                                                                                                              |
|---------------------------------------------------------------------------------------------------------------------------------------------------------------------------------------------------------------------------------------------------------------------------------------------------------------------------------------------------------------------------------------|-------------------------------------------------------------------------------------------------------------------|
| The Cisco Support and Documentation website provides online resources to download documentation, software, and tools. Use these resources to install and configure the software and to troubleshoot and resolve technical issues with Cisco products and technologies. Access to most tools on the Cisco Support and Documentation website requires a Cisco.com user ID and password. | <a href="http://www.cisco.com/cisco/web/support/index.html">http://www.cisco.com/cisco/web/support/index.html</a> |

**Related Documents**

| Related Topic     | Document Title                                                            |
|-------------------|---------------------------------------------------------------------------|
| Software upgrades | <i>Cisco Nexus 7000 Series NX-OS Software Upgrade and Downgrade Guide</i> |

**Feature Information for Performing Software Maintenance Upgrades**

The following table provides release information about the SMU package files supported for this software. This table lists only the software release that introduced support for a given SMU package. Unless noted otherwise, subsequent releases of that software also support that SMU package.

Use Cisco Feature Navigator to find information about platform support and Cisco software image support. To access Cisco Feature Navigator, go to <http://www.cisco.com/go/cfn>. An account on Cisco.com is not required.

| SMU Package File       | Releases | Description                                                                                                                                                                                                                                                                                     |
|------------------------|----------|-------------------------------------------------------------------------------------------------------------------------------------------------------------------------------------------------------------------------------------------------------------------------------------------------|
| n7002-9721-UCS-Cu0721n | 7.2(0)   | Restart type: restart<br>Platform: Nexus7700<br>Supersedes: None<br>Superseded By: None<br>Restart information: <i>CSCuo07721</i><br>Pre-install activate scripts: None<br>Post-install activate scripts: None<br>Pre-install deactivate scripts: None<br>Post-install deactivate scripts: None |





## CHAPTER 25

# Converting CLI Commands to Network Configuration Format

---

This chapter explains how to install and use the XMLIN tool to convert CLI commands to the Network Configuration (NETCONF) protocol.

- [Finding Feature Information, on page 457](#)
- [Information About XMLIN, on page 457](#)
- [Licensing Requirements for XMLIN, on page 458](#)
- [Installing and Using the XMLIN Tool, on page 458](#)
- [Converting Show Command Output to XML, on page 458](#)
- [Configuration Examples for XMLIN, on page 459](#)
- [Related Documents, on page 461](#)
- [Feature History for XMLIN, on page 461](#)

## Finding Feature Information

Your software release might not support all the features documented in this module. For the latest caveats and feature information, see the Bug Search Tool at <https://tools.cisco.com/bugsearch> and the release notes for your software release. To find information about the features documented in this module, and to see a list of the releases in which each feature is supported, see the “New and Changed Information” chapter or the Feature History table.

## Information About XMLIN

The XMLIN tool converts CLI commands to the Network Configuration (NETCONF) protocol format. NETCONF is a network management protocol that provides mechanisms to install, manipulate, and delete the configuration of network devices. It uses XML-based encoding for configuration data and protocol messages. The NX-OS implementation of the NETCONF protocol supports the following protocol operations: `<get>`, `<edit-config>`, `<close-session>`, `<kill-session>`, and `<exec-command>`.

The XMLIN tool converts show, EXEC, and configuration commands to corresponding NETCONF `<get>`, `<exec-command>`, and `<edit-config>` requests. You can enter multiple configuration commands into a single NETCONF `<edit-config>` instance.

The XMLIN tool also converts the output of show commands to XML format.

# Licensing Requirements for XMLIN

Table 45: XMLIN Licensing Requirements

| Product     | License Requirement                                                                                                                                                                                                                                                            |
|-------------|--------------------------------------------------------------------------------------------------------------------------------------------------------------------------------------------------------------------------------------------------------------------------------|
| Cisco NX-OS | XMLIN requires no license. Any feature not included in a license package is bundled with the Cisco NX-OS system images and is provided at no extra charge to you. For a complete explanation of the Cisco NX-OS licensing scheme, see the <i>Cisco NX-OS Licensing Guide</i> . |

## Installing and Using the XMLIN Tool

You can install the XMLIN tool and then use it to convert configuration commands to NETCONF format.

### Before you begin

Although the XMLIN tool is usually capable of generating NETCONF instances of commands even if the corresponding feature sets or the required hardware capabilities are not available on the device, you might have to install some feature sets before entering the **xmlin** command.

### Procedure

|               | Command or Action                                                | Purpose                                                                                                                                                                                                            |
|---------------|------------------------------------------------------------------|--------------------------------------------------------------------------------------------------------------------------------------------------------------------------------------------------------------------|
| <b>Step 1</b> | switch# <b>xmlin</b>                                             |                                                                                                                                                                                                                    |
| <b>Step 2</b> | switch(xmlin)# <b>configure terminal</b>                         | Enters global configuration mode.                                                                                                                                                                                  |
| <b>Step 3</b> | Configuration commands                                           | Converts configuration commands to NETCONF format.                                                                                                                                                                 |
| <b>Step 4</b> | (Optional) switch(config)(xmlin)# <b>end</b>                     | Generates the corresponding <edit-config> request.<br><br><b>Note</b> You must enter the <b>end</b> command to finish the current XML configuration before you generate an XML instance for a <b>show</b> command. |
| <b>Step 5</b> | (Optional) switch(config-if-verify)(xmlin)# <b>show commands</b> | Converts <b>show</b> commands to NETCONF format.                                                                                                                                                                   |
| <b>Step 6</b> | (Optional) switch(config-if-verify)(xmlin)# <b>exit</b>          | Returns to EXEC mode.                                                                                                                                                                                              |

## Converting Show Command Output to XML

You can convert the output of show commands to XML.



**Before you begin**

Make sure that all features for the commands you want to convert are installed and enabled on the device. Otherwise, the commands will fail.

You can use the **terminal verify-only** command to verify that a feature is enabled without entering it on the device.

Make sure that all required hardware for the commands you want to convert are present on the device. Otherwise, the commands will fail.

Make sure that the XMLIN tool is installed.

**Procedure**

|               | Command or Action                          | Purpose                                                                                                       |
|---------------|--------------------------------------------|---------------------------------------------------------------------------------------------------------------|
| <b>Step 1</b> | switch# <i>show-command</i>   <b>xmlin</b> | Enters global configuration mode.<br><br><b>Note</b> You cannot use this command with configuration commands. |

## Configuration Examples for XMLIN

The following example shows how the XMLIN tool is installed on the device and used to convert a set of configuration commands to an <edit-config> instance.

```
switch# xmlin
*****
Loading the xmlin tool. Please be patient.
*****
Cisco Nexus Operating System (NX-OS) Software
TAC support: http://www.cisco.com/tac
Copyright © 2002-2013, Cisco Systems, Inc. All rights reserved.
The copyrights to certain works contained in this software are
owned by other third parties and used and distributed under
license. Certain components of this software are licensed under
the GNU General Public License (GPL) version 2.0 or the GNU
Lesser General Public License (LGPL) Version 2.1. A copy of each
such license is available at
http://www.opensource.org/licenses/gpl-2.0.php and
http://www.opensource.org/licenses/lgpl-2.1.php

switch(xmlin)# configure terminal
Enter configuration commands, one per line. End with CNTL/Z.
switch(config)(xmlin)# interface ethernet 2/1
% Success
switch(config-if-verify)(xmlin)# cdp enable
% Success
switch(config-if-verify)(xmlin)# end
<?xml version="1.0"?>
<nf:rpc xmlns:nf="urn:ietf:params:xml:ns:netconf:base:1.0"
xmlns="http://www.cisco.com/nxos:6.2.2.:configure_"
xmlns:m="http://www.cisco.com/nxos:6.2.2.:_exec"
xmlns:m1="http://www.cisco.com/nxos:6.2.2.:configure__if-eth-base" message-id="1">
  <nf:edit-config>
    <nf:target>
```

```

        <nf:running/>
    </nf:target>
</nf:config>
<m:configure>
    <m:terminal>
        <interface>
            <__XML__PARAM__interface>
                <__XML__value>Ethernet2/1</__XML__value>
            <m1:cdp>
                <m1:enable/>
            </m1:cdp>
        </__XML__PARAM__interface>
        </interface>
    </m:terminal>
</m:configure>
</nf:config>
</nf:edit-config>
</nf:rpc>
]]>]]>

```

The following example shows how you must enter the **end** command to finish the current XML configuration before you generate an XML instance for a **show** command.

```

switch(xmlin)# configure terminal
Enter configuration commands, one per line. End with CNTL/Z.
switch(config)(xmlin)# interface ethernet 2/1
switch(config-if-verify)(xmlin)# show interface ethernet 2/1
*****
Please type "end" to finish and output the current XML document before building a new one.
*****
% Command not successful

switch(config-if-verify)(xmlin)# end
<?xml version="1.0"?>
<nf:rpc xmlns:nf="urn:ietf:params:xml:ns:netconf:base:1.0"
xmlns="http://www.cisco.com/nxos:6.2.2.:configure_"
xmlns:m="http://www.cisco.com/nxos:6.2.2.:_exec" message-id="1">
    <nf:edit-config>
        <nf:target>
            <nf:running/>
        </nf:target>
        <nf:config>
            <m:configure>
                <m:terminal>
                    <interface>
                        <__XML__PARAM__interface>
                            <__XML__value>Ethernet2/1</__XML__value>
                        </__XML__PARAM__interface>
                    </interface>
                </m:terminal>
            </m:configure>
        </nf:config>
    </nf:edit-config>
</nf:rpc>
]]>]]>

switch(xmlin)# show interface ethernet 2/1
<?xml version="1.0"?>
<nf:rpc xmlns:nf="urn:ietf:params:xml:ns:netconf:base:1.0"
xmlns="http://www.cisco.com/nxos:6.2.2.:if_manager" message-id="1">
    <nf:get>
        <nf:filter type="subtree">
            <show>

```

```

    <interface>
      <__XML_PARAM_ifeth>
        <__XML_value>Ethernet2/1</__XML_value>
      </__XML_PARAM_ifeth>
    </interface>
  </show>
</nf:filter>
</nf:get>
</nf:rpc>
]]>]]>
switch(xmlin) # exit
switch#

```

The following example shows how you can convert the output of the **show interface brief** command to XML.

```

switch# show interface brief | xmlin
<?xml version="1.0"?>
<nf:rpc xmlns:nf="urn:ietf:params:xml:ns:netconf:base:1.0"
xmlns="http://www.cisco.com/nxos:6.2.2.:if_manager"

message-id="1">
  <nf:get>
    <nf:filter type="subtree">
      <show>
        <interface>
          <brief/>
        </interface>
      </show>
    </nf:filter>
  </nf:get>
</nf:rpc>
]]>]]>

```

## Related Documents

| Related Topic                                                                                                     | Document Title                                                           |
|-------------------------------------------------------------------------------------------------------------------|--------------------------------------------------------------------------|
| XMLIN commands: complete command syntax, command modes, command history, defaults, usage guidelines, and examples | <i>Cisco Nexus 7000 Series NX-OS System Management Command Reference</i> |

## Feature History for XMLIN

The table below summarizes the new and changed features for this document and shows the releases in which each feature is supported. Your software release might not support all the features in this document. For the latest caveats and feature information, see the Bug Search Tool at <https://tools.cisco.com/bugsearch/> and the release notes for your software release.

**Table 46: Feature History for XMLIN**

| Feature Name | Releases | Feature Information          |
|--------------|----------|------------------------------|
| XMLIN        | 6.2(2)   | This feature was introduced. |





## APPENDIX **A**

# IETF RFCs supported by Cisco NX-OS System Management

---

This appendix lists the IETF RFCs for system management supported in Cisco NX-OS.

- [IETF RFCs Supported by Cisco NX-OS System Management, on page 463](#)

## IETF RFCs Supported by Cisco NX-OS System Management

This appendix lists the IETF RFCs for system management supported in Cisco NX-OS.

| RFCs                                                  | Title                                                                                                 |
|-------------------------------------------------------|-------------------------------------------------------------------------------------------------------|
| <a href="#">RFC 2819</a>                              | <i>Remote Network Monitoring Management Information Base</i>                                          |
| <a href="#">RFC 3164</a>                              | <i>The BSD syslog Protocol</i>                                                                        |
| <a href="#">RFC 3411</a> and <a href="#">RFC 3418</a> | <i>An Architecture for Describing Simple Network Management Protocol (SNMP) Management Frameworks</i> |
| <a href="#">RFC 3954</a>                              | <i>Cisco Systems NetFlow Services Export Version 9</i>                                                |





## APPENDIX **B**

# Embedded Event Manager System Events and Configuration Examples

This appendix describes the Embedded Event Manager (EEM) system policies, events, and policy configuration examples.

This appendix includes the following sections:

- [EEM System Policies, on page 465](#)
- [EEM Events, on page 467](#)
- [Configuration Examples for EEM Policies, on page 468](#)

## EEM System Policies

The following table lists the Embedded Event Manager (EEM) system policies.

| Event                   | Description                                                                                                                                                      |
|-------------------------|------------------------------------------------------------------------------------------------------------------------------------------------------------------|
| __PortLoopback          | Do CallHome, log error in Syslog/OBFL/Exception Log, and disable further HM testing on affected ports after 10 consecutive failures of GOLD "PortLoopback" test  |
| __RewriteEngineLoopback | Do CallHome, log error in Syslog/OBFL/Exception Log, and disable further HM testing on affected ports after 10 consecutive failures of GOLD "RewriteEngine" test |
| __asic_register_check   | Do CallHome, log error, and disable further HM testing for that ASIC device/instance after 20 consecutive failures of GOLD "ASICRegisterCheck" test              |
| __compact_flash         | Do CallHome, log error, and disable further HM testing after 20 consecutive failures of GOLD "CompactFlash" test                                                 |
| __crypto_device         | Do CallHome and log error when GOLD "CryptoDevice" test fails                                                                                                    |

| Event                         | Description                                                                                                                                 |
|-------------------------------|---------------------------------------------------------------------------------------------------------------------------------------------|
| __eobc_port_loopback          | Do CallHome and log error when GOLD "EOBCPortLoopback" test fails                                                                           |
| __ethpm_debug_1               | Action: none                                                                                                                                |
| __ethpm_debug_2               | Action: none                                                                                                                                |
| __ethpm_debug_3               | Action: none                                                                                                                                |
| __ethpm_debug_4               | Action: none                                                                                                                                |
| __ethpm_link_flap             | More than 30 link flaps in a 420-second interval.<br>Action: Error. Disable the port                                                        |
| __external_compact_flash      | Do CallHome, log error, and disable further HM testing after 20 consecutive failures of GOLD "ExternalCompactFlash" test                    |
| __lcm_module_failure          | Power cycle two times and then power down                                                                                                   |
| __management_port_loopback    | Do CallHome and log error when GOLD "ManagementPortLoopback" test fails                                                                     |
| __nvram                       | Do CallHome, log error, and disable further HM testing after 20 consecutive failures of GOLD "NVRAM" test                                   |
| __pfm_fanabsent_all_systemfan | Shuts down if both fan trays (f1 and f2) are absent for 2 minutes                                                                           |
| __pfm_fanbad_all_systemfan    | Syslog when fan goes bad                                                                                                                    |
| __pfm_fanbad_any_singlefan    | Syslog when fan goes bad                                                                                                                    |
| __pfm_power_over_budget       | Syslog warning for insufficient power overbudget                                                                                            |
| __pfm_tempev_major            | TempSensor Major Threshold. Action: Shutdown                                                                                                |
| __pfm_tempev_minor            | TempSensor Minor Threshold. Action: Syslog                                                                                                  |
| __primary_bootrom             | Do CallHome, log error, and disable further HM testing after 20 consecutive failures of GOLD "PrimaryBootROM" test                          |
| __pwr_mgmt_bus                | Do CallHome, log error, and disable further HM testing for the module or spine-card after 20 consecutive failures of GOLD "PwrMgmtBus" test |
| __real_time_clock             | Do CallHome, log error, and disable further HM testing after 20 consecutive failures of GOLD "RealTimeClock" test                           |



| Event                     | Description                                                                                                                                       |
|---------------------------|---------------------------------------------------------------------------------------------------------------------------------------------------|
| __secondary_bootrom       | Do CallHome, log error, and disable further HM testing after 20 consecutive failures of GOLD "SecondaryBootROM" test                              |
| __spine_control_bus       | Do CallHome, log error, and disable further HM testing for that module or spine-card after 20 consecutive failures of GOLD "SpineControlBus" test |
| __standby_fabric_loopback | Do CallHome, log error, and disable further HM testing after 10 consecutive failures                                                              |
| __status_bus              | Do CallHome, log error, and disable further HM testing after 5 consecutive failures of GOLD "StatusBus" test                                      |
| __system_mgmt_bus         | Do Call Home, log error, and disable further HM testing for that fan or power supply after 20 consecutive failures of GOLD "SystemMgmtBus" test   |
| __usb                     | Do Call Home and log error when GOLD "USB" test fails                                                                                             |

## EEM Events

The following table describes the EEM events you can use on the device.

| EEM Event      | Description                                                    |
|----------------|----------------------------------------------------------------|
| application    | Publishes an application-specific event.                       |
| cli            | CLI command is entered that matches a pattern with a wildcard. |
| counter        | EEM counter reaches a specified value or range.                |
| fanabsent      | System fan tray is absent.                                     |
| fanbad         | System fan generates a fault.                                  |
| fib            | Monitors routes or TCAM usage in the unicast FIB.              |
| gold           | GOLD test failure condition is hit.                            |
| interface      | Interface counter exceeds a threshold.                         |
| memory         | Available system memory exceeds a threshold.                   |
| module         | Specified module enters the selected status.                   |
| module-failure | Module failure is generated.                                   |

| EEM Event       | Description                                                                                  |
|-----------------|----------------------------------------------------------------------------------------------|
| none            | Runs the policy event without any events specified.                                          |
| oir             | Online insertion or removal occurs.                                                          |
| policy-default  | Default parameters and thresholds are used for the events in the system policy you override. |
| poweroverbudget | Platform software detects a power budget condition.                                          |
| snmp            | SNMP object ID (OID) state changes.                                                          |
| storm-control   | Platform software detects an Ethernet packet storm condition.                                |
| syslog          | Monitors syslog messages and invokes the policy based on the search string in the policy.    |
| sysmgr          | System manager generates an event.                                                           |
| temperature     | Temperature level in the system exceeds a threshold.                                         |
| timer           | Specified time is reached.                                                                   |
| track           | Tracked object changes state.                                                                |

## Configuration Examples for EEM Policies

### Configuration Examples for CLI Events

#### Monitoring Interface Shutdown

This example shows how to monitor an interface shutdown:

```
switch# configure terminal
Enter configuration commands, one per line. End with CNTL/Z.
switch(config)# event manager applet monitorShutdown
switch(config-applet)#
switch(config-applet)# description "Monitors interface shutdown."
switch(config-applet)# event cli match "conf t; interface *; shutdown"
switch(config-applet)# action 1.0 cli show interface e 3/1
switch(config)# copy running-config startup-config
```




---

**Note** Outputs of **show** commands entered as part of EEM policy are archived in the logflash as text files with the "eem\_archive\_" prefix. To view the archived output, use the **show file logflash:eem\_archive\_n** command.

---

## Monitoring Module Powerdown

This example shows how to monitor a module powerdown:

```
switch# configure terminal
Enter configuration commands, one per line. End with CNTL/Z.
switch(config)# event manager applet monitorPoweroff
switch(config-applet)#
switch(config-applet)# description "Monitors module power down."
switch(config-applet)# event cli match "conf t ; poweroff *"
switch(config-applet)# action 1.0 cli show module
switch(config)# copy running-config startup-config
```

## Adding a Trigger to Initiate a Rollback

This example shows how to add a trigger to initiate a rollback:

```
switch# configure terminal
Enter configuration commands, one per line. End with CNTL/Z.
switch(config)#
switch(config)# event manager applet rollbackTrigger
switch(config-applet)#
switch(config-applet)# description "Rollback trigger."
switch(config-applet)# event cli match "rollback *"
switch(config-applet)# action 1.0 cli copy running-config bootflash:last_config
switch(config)# copy running-config startup-config
```

## Configuration Examples to Override (Disable) Major Thresholds

### Preventing a Shutdown When Reaching a Major Threshold

This example shows how to prevent a shutdown caused by reaching a major threshold:

```
switch# configure terminal
switch(config)# event manager applet myappletname override __pfm_tempev_major
switch(config)# end
```

This example shows how to revert to the default configuration:

```
switch# configure terminal
switch(config)# no event manager applet myappletname override __pfm_tempev_major
switch(config)# end
```

### Disabling One Bad Sensor

This example shows how to disable only sensor 3 on module 2 when sensor 3 is malfunctioning (all other sensors are unaffected):

```
switch# configure terminal
switch(config)# event manager applet myappletname override __pfm_tempev_major
switch(config-applet)# event temperature module 2 sensor 3 threshold major
switch(config-applet)# end
```

This example shows how to revert to the default configuration:

```
switch# configure terminal
switch(config)# no event manager applet myappletname override __pfm_tempev_major
```

```
switch(config)# end
```

## Disabling Multiple Bad Sensors

This example shows how to disable sensors 5, 6, and 7 on module 2 when these sensors are malfunctioning (all other sensors are unaffected):

```
switch# configure terminal
switch(config)# event manager applet myappletname override __pfm_tempev_major
switch(config-applet)# event temperature module 2 sensor 5 threshold major
switch(config-applet)# end
switch# configure terminal
switch(config)# event manager applet myappletname override __pfm_tempev_major
switch(config-applet)# event temperature module 2 sensor 6 threshold major
switch(config-applet)# end
switch# configure terminal
switch(config)# event manager applet myappletname override __pfm_tempev_major
switch(config-applet)# event temperature module 2 sensor 7 threshold major
switch(config-applet)# end
```

This example shows how to revert to the default configuration:

```
switch# configure terminal
switch(config)# no event manager applet myappletname override __pfm_tempev_major
switch(config)# end
```

## Overriding (Disabling) an Entire Module

This example shows how to disable module 2 when it is malfunctioning:

```
switch# configure terminal
switch(config)# event manager applet myappletname override __pfm_tempev_major
switch(config-applet)# event temperature module 2 threshold major
switch(config-applet)# end
```

This example shows how to revert to the default configuration:

```
switch# configure terminal
switch(config)# no event manager applet myappletname override __pfm_tempev_major
switch(config)# end
```

## Overriding (Disabling) Multiple Modules and Sensors

This example shows how to disable sensors 3, 4, and 7 on module 2 and all sensors on module 3 when they are malfunctioning:

```
switch# configure terminal
switch(config)# event manager applet myappletname override __pfm_tempev_major
switch(config-applet)# event temperature module 2 sensor 3 threshold major
switch(config-applet)# end
switch# configure terminal
switch(config)# event manager applet myappletname override __pfm_tempev_major
switch(config-applet)# event temperature module 2 sensor 4 threshold major
switch(config-applet)# end
switch# configure terminal
switch(config)# event manager applet myappletname override __pfm_tempev_major
switch(config-applet)# event temperature module 2 sensor 7 threshold major
```

```
switch(config-applet)# end
switch# configure terminal
switch(config)# event manager applet myappletname override __pfm_tempev_major
switch(config-applet)# event temperature module 3 threshold major
switch(config-applet)# end
```

This example shows how to revert to the default configuration:

```
switch# configure terminal
switch(config)# no event manager applet myappletname override __pfm_tempev_major
switch(config)# end
```

## Enabling One Sensor While Disabling All Remaining Sensors of All Modules

This example shows how to disable all sensors on all modules except sensor 4 on module 9:

```
switch# configure terminal
switch(config)# event manager applet myapplet1 override __pfm_tempev_major
switch(config-applet)# end
switch# configure terminal
switch(config)# event manager applet myapplet2 override __pfm_tempev_major
switch(config-applet)# event temperature module 9 sensor 4 threshold major
switch(config-applet)# action 2 policy-default
switch(config-applet)# end
```

## Enabling Multiple Sensors While Disabling All Remaining Sensors of All Modules

This example shows how to disable all sensors on all modules except sensors 4, 6, and 7 on module 9:

```
switch# configure terminal
switch(config)# event manager applet myapplet1 override __pfm_tempev_major
switch(config-applet)# end
switch# configure terminal
switch(config)# event manager applet myapplet2 override __pfm_tempev_major
switch(config-applet)# event temperature module 9 sensor 4 threshold major
switch(config-applet)# action 2 policy-default
switch(config-applet)# end
switch# configure terminal
switch(config)# event manager applet myapplet3 override __pfm_tempev_major
switch(config-applet)# event temperature module 9 sensor 6 threshold major
switch(config-applet)# action 3 policy-default
switch(config-applet)# end
switch# configure terminal
switch(config)# event manager applet myapplet4 override __pfm_tempev_major
switch(config-applet)# event temperature module 9 sensor 7 threshold major
switch(config-applet)# action 4 policy-default
switch(config-applet)# end
```

## Enabling All Sensors of One Module While Disabling All Sensors of the Remaining Modules

This example shows how to disable all sensors on all modules except all sensors on module 9:

```
switch# configure terminal
switch(config)# event manager applet myapplet1 override __pfm_tempev_major
switch(config-applet)# end
switch# configure terminal
switch(config)# event manager applet myapplet2 override __pfm_tempev_major
switch(config-applet)# event temperature module 9 threshold major
```

```
switch(config-applet)# action 2 policy-default
switch(config-applet)# end
```

## Enabling a Combination of Sensors on Modules While Disabling All Sensors of the Remaining Modules

This example shows how to disable all sensors on all modules except sensors 3, 4, and 7 on module 2 and all sensors on module 3:

```
switch# configure terminal
switch(config)# event manager applet myapplet1 override __pfm_tempev_major
switch(config-applet)# end
switch# configure terminal
switch(config)# event manager applet myapplet2 override __pfm_tempev_major
switch(config-applet)# event temperature module 2 sensor 3 threshold major
switch(config-applet)# action 2 policy-default
switch(config-applet)# end
switch# configure terminal
switch(config)# event manager applet myapplet3 override __pfm_tempev_major
switch(config-applet)# event temperature module 2 sensor 4 threshold major
switch(config-applet)# action 3 policy-default
switch(config-applet)# end
switch# configure terminal
switch(config)# event manager applet myapplet4 override __pfm_tempev_major
switch(config-applet)# event temperature module 2 sensor 7 threshold major
switch(config-applet)# action 4 policy-default
switch(config-applet)# end
switch# configure terminal
switch(config)# event manager applet myapplet5 override __pfm_tempev_major
switch(config-applet)# event temperature module 3 threshold major
switch(config-applet)# action 5 policy-default
switch(config-applet)# end
```

## Configuration Examples to Override (Disable) Shutdown for Fan Tray Removal

### Overriding (Disabling) a Shutdown for Removal of One or More Fan Trays

This example shows how to disable a shutdown so that you can remove one or more (or all) fan trays:

```
switch# configure terminal
switch(config)# event manager applet myappletname override __pfm_fanabsent_any_singlefan
switch(config-applet)# end
```

This example shows how to revert to the default configuration:

```
switch# configure terminal
switch(config)# no event manager applet myappletname override __pfm_fanabsent_any_singlefan
switch(config-applet)# end
```

### Overriding (Disabling) a Shutdown for Removal of a Specified Fan Tray

This example shows how to disable a shutdown so that you can remove a specified fan tray (fan tray 3):

```
switch# configure terminal
switch(config)# event manager applet myappletname override __pfm_fanabsent_any_singlefan
switch(config-applet)# event fanabsent fan 3 time 60
switch(config-applet)# end
```

This example shows how to revert to the default configuration:

```
switch# configure terminal
switch(config)# no event manager applet myappletname override __pfm_fanabsent_any_singlefan
switch(config)# end
```

## Overriding (Disabling) a Shutdown for Removal of Multiple Specified Fan Trays

This example shows how to disable a shutdown so that you can remove multiple specified fan trays (fan trays 2, 3, and 4):

```
switch# configure terminal
switch(config)# event manager applet myapplet1 override __pfm_fanabsent_any_singlefan
switch(config-applet)# event fanabsent fan 2 time 60
switch(config-applet)# end
switch# configure terminal
switch(config)# event manager applet myapplet2 override __pfm_fanabsent_any_singlefan
switch(config-applet)# event fanabsent fan 3 time 60
switch(config-applet)# end
switch# configure terminal
switch(config)# event manager applet myapplet3 override __pfm_fanabsent_any_singlefan
switch(config-applet)# event fanabsent fan 4 time 60
switch(config-applet)# end
```

This example shows how to revert to the default configuration:

```
switch# configure terminal
switch(config)# no event manager applet myappletname override __pfm_fanabsent_any_singlefan
switch(config)# end
```

## Overriding (Disabling) a Shutdown for Removal of All Fan Trays Except One

This example shows how to disable a shutdown so that you can remove all fan trays except one (fan tray 2):

```
switch# configure terminal
switch(config)# event manager applet myapplet1 override __pfm_fanabsent_any_singlefan
switch(config-applet)# end
switch# configure terminal
switch(config)# event manager applet myapplet2 override __pfm_fanabsent_any_singlefan
switch(config-applet)# event fanabsent fan 2 time 60
switch(config-applet)# action 2 policy-default
switch(config-applet)# end
```

## Overriding (Disabling) a Shutdown for Removal of Fan Trays Except for a Specified Set of Fan Trays

This example shows how to disable a shutdown so that you can remove fans except for a specified set of fan trays (fan trays 2, 3, and 4):

```
switch# configure terminal
switch(config)# event manager applet myapplet1 override __pfm_fanabsent_any_singlefan
switch(config-applet)# end
switch(config)# event manager applet myapplet2 override __pfm_fanabsent_any_singlefan
switch(config-applet)# event fanabsent fan 2,3,4 time 60
switch(config-applet)# action 2 policy-default
switch(config-applet)# end
```

## Overriding (Disabling) a Shutdown for Removal of All Fan Trays Except One from a Set of Fan Trays

This example shows how to disable a shutdown so that you can remove all fan trays except one from a set of fan trays (fan trays 2, 3, or 4):

```
switch# configure terminal
switch(config)# event manager applet myapplet1 override __pfm_fanabsent_any_singlefan
switch(config-applet)# end
switch# configure terminal
switch(config)# event manager applet myapplet2 override __pfm_fanabsent_any_singlefan
switch(config-applet)# event fanabsent fan 2 time 60
switch(config-applet)# action 2 policy-default
switch(config-applet)# end
switch# configure terminal
switch(config)# event manager applet myapplet3 override __pfm_fanabsent_any_singlefan
switch(config-applet)# event fanabsent fan 3 time 60
switch(config-applet)# action 3 policy-default
switch(config-applet)# end
switch# configure terminal
switch(config)# event manager applet myapplet4 override __pfm_fanabsent_any_singlefan
switch(config-applet)# event fanabsent fan 4 time 60
switch(config-applet)# action 4 policy-default
switch(config-applet)# end
```

## Configuration Examples to Create a Supplemental Policy

### Creating a Supplemental Policy for the Fan Tray Absent Event

This example shows how to create a supplemental policy using the **event fanabsent** command:

```
[no] event fanabsent [fan fan-tray-number] time time-interval
```

In addition to the default policy, this example shows how to execute the policy myappletname and action 3 if fan tray 1 is absent for 60 seconds:

```
switch# configure terminal
switch(config)# event manager applet myappletname
switch(config-applet)# event fanabsent fan 1 time 60
switch(config-applet)# action 3 cli "show env fan"
switch(config-applet)# end
```

### Creating a Supplemental Policy for the Temperature Threshold Event

This example shows how to create a supplemental policy using the **event temperature** command:

```
[no] event temperature [mod module-number] [sensor sensor-number] threshold {major | minor | any}
```

In addition to the default policy, this example shows how to execute the policy myappletname and action 1 if the temperature crosses the minor threshold on sensor 3 of module 2:

```
switch# configure terminal
switch(config)# event manager applet myappletname
switch(config-applet)# event temperature module 2 sensor 3 threshold minor
switch(config-applet)# action 1 cli "show environ temperature"
switch(config-applet)# end
```



## Configuration Examples for the Power Over-Budget Policy

The power over-budget policy gets triggered when the available power capacity drops below zero and the device is no longer able to keep the previously powered-up modules in the powered-up state. The default action is to print a syslog to notify the user of the occurrence of power over budget.

You can enable an additional action to power down modules until the available power recovers from the red (negative) zone.

### Shutting Down Modules

If you do not specify any modules, the power over-budget shutdown starts from slot 1 and shuts down modules until the power recovers from the red (negative) zone. Empty slots and slots that contain a supervisor, standby supervisor, spine, or crossbar are skipped.

This example shows how to shut down modules starting from module 1 when the available power drops below zero:

```
switch# configure terminal
switch(config)# event manager applet <myappletname4a> override __pfm_power_over_budget
switch(config-applet)# event poweroverbudget
switch(config-applet)# action 4 overbudgetshut
switch(config-applet)# end
```

### Shutting Down a Specified List of Modules

You can specify a list of modules that the power over-budget action uses to shut down modules until the power recovers from the red (negative) zone. Empty slots and slots that contain a supervisor, standby supervisor, spine, or crossbar are skipped.

This example shows how to shut down modules from a specified list of modules (1, 2, 7, 8) when the available power drops below zero:

```
switch# configure terminal
switch(config)# event manager applet <myappletname4b> override __pfm_power_over_budget
switch(config-applet)# event poweroverbudget
switch(config-applet)# action 5 overbudgetshut module 1,2,7,8
switch(config-applet)# end
```

## Configuration Examples to Select Modules to Shut Down

### Using the Policy Default to Select Nonoverridden Modules to Shut Down

This example shows how to use the policy default to select the nonoverridden modules to shut down when a major threshold is exceeded:

```
switch# configure terminal
switch(config)# event manager applet my5a1 override __pfm_tempev_major
switch(config-applet)# end
switch# configure terminal
switch(config)# event manager applet my5a2 override __pfm_tempev_major
switch(config-applet)# event temperature module 1-3 sensor 4 threshold major
switch(config-applet)# action 5 policy-default
switch(config-applet)# end
```

## Using Parameter Substitution to Select Nonoverridden Modules to Shut Down

This example shows how to use parameter substitution to select the nonoverridden modules to shut down when a major threshold is exceeded:

```
switch# configure terminal
switch(config)# event manager applet my5b1 override __pfm_tempev_major
switch(config-applet)# end
switch# configure terminal
switch(config)# event manager applet my5b2 override __pfm_tempev_major
switch(config-applet)# event temperature module 1-3 sensor 8 threshold major
switch(config-applet)# action 6 forceshut module my_module_list reset "temperature-sensor
policy trigger"
switch(config-applet)# end
```

To create event manager parameters, use the **event manager environment** command. To display the values of event manager parameters, use the **show event manager environment all** command.

## Configuration Examples for the Online Insertion Removal Event

The online insertion removal (OIR) event does not have a default policy.

This example shows how to configure the OIR event using the **event oir** command:

```
event oir device-type event-type [device-number]
```

The *device-type* can be **fan**, **module**, or **powersupply**.

The *event-type* can be **insert**, **remove**, or **anyoir** (insert or remove).

The optional *device-number* specifies a single device. If omitted, all devices are selected.

This example shows how to configure the insert event:

```
switch# configure terminal
switch(config)# event manager applet myoir
switch(config-applet)# event oir module insert
switch(config-applet)# action 1 syslog priority critical msg "OIR insert event: A Module
is inserted"
```

This example shows how to configure the remove event:

```
switch# configure terminal
switch(config)# event manager applet myoir
switch(config-applet)# event oir module remove
switch(config-applet)# action 1 syslog priority critical msg "OIR remove event: A Module
is removed"
```

## Configuration Example to Generate a User Syslog

This example shows how to generate a user syslog using the **action syslog** command:

```
switch# configure terminal
switch(config)# event manager applet myoir
switch(config-applet)# event oir module remove
switch(config-applet)# action 1 syslog priority critical msg "Module is removed"
```

When this event is triggered, the system generates a syslog as follows:

```
switch(config)# 2013 May 20 00:08:27 plb-57 %$ VDC-1 %$ %EEM_ACTION-2-CRIT: "Module is removed"
```

## Configuration Example to Monitor Syslog Messages

This example shows how to monitor syslog messages from the switch:

```
switch(config)# event manager applet a1
switch(config-applet)# event syslog occurs 6 period 4294967 pattern "authentication failed"
```

When this event is triggered, the action defined in the policy is executed.

## Configuration Examples for SNMP Notification

### Polling an SNMP OID to Generate an EEM Event

The SNMP object ID (OID) CISCO-SYSTEM-EXT-MIB::cseSysCPUUtilization is used for querying the CPU utilization of the switch:

```
cseSysCPUUtilization OBJECT-TYPE
SYNTAX Gauge32 (0..100 )
UNITS "%"
MAX-ACCESS read-only
STATUS current
DESCRIPTION
"The average utilization of CPU on the active supervisor."
 ::= { ciscoSysInfoGroup 1 }
```

This example shows the use of an SNMP OID that is polled at an interval of 10 seconds and has a threshold value of 95 percent:

```
switch# configure terminal
switch(config)# event manager applet test_policy
switch(config-applet)# event snmp oid 1.3.6.1.4.1.9.9.305.1.1.1.0 get-type exact entry-op
gt entry-val 95 exit-op lt exit-val 90 poll-interval 10
```

### Sending an SNMP Notification in Response to an Event in the Event Policy

You can use this type of configuration to cause a critical event trigger to generate an SNMP notification.

This example shows how to send an SNMP notification for an event from the Event Manager applet configuration mode:

```
switch(config-applet)# action 1.1 snmp-trap intdata1 100 intdata2 300 strdata "CPU Hogging
at switch1"
switch(config-applet)# action 1.1 snmp-trap intdata1 100 intdata2 300 strdata "Port Failure
eth9/1"
```

This configuration triggers an SNMP notification (trap) from the switch to SNMP hosts. The SNMP payload carries the values of user-defined fields intdata1, intdata2, and strdata.

## Configuration Example for Port Tracking

This example shows how to configure the state of one port to match the state of another port (port tracking).

To configure the port tracking of Ethernet interface 3/23 by Ethernet interface 1/2, follow these steps:

### Procedure

---

**Step 1** Create an object to track the status of Ethernet interface 3/23.

**Example:**

```
switch# configure terminal
switch(config)# track 1 interface ethernet 3/23
switch(config-track)# end
```

**Step 2** Configure an EEM event to shut Ethernet interface 1/2 when the tracking object shuts down.

**Example:**

```
switch(config)# event manager applet track_3_23_down
switch(config-applet)# event track 1 state down
switch(config-applet)# action 1 syslog msg EEM applet track_3_23_down shutting down port
eth1/2 due to eth3/23 being down
switch(config-applet)# action 2 cli conf term
switch(config-applet)# action 3 cli interface ethernet 1/2
switch(config-applet)# action 4 cli shut
switch(config-applet)# end
```

**Step 3** Configure an EEM event to bring up Ethernet interface 1/2 when Ethernet interface 3/23 comes up.

**Example:**

```
switch# configure terminal
switch(config)# event manager applet track_3_23_up
switch(config-applet)# event track 1 state up
switch(config-applet)# action 1 syslog msg EEM applet track_3_23_down bringing up port
eth1/2 due to eth3/23 being up
switch(config-applet)# action 2 cli conf term
switch(config-applet)# action 3 cli interface ethernet 1/2
switch(config-applet)# action 4 cli no shut
switch(config-applet)# end
```

---

## Configuration Example to Register an EEM Policy with the EEM

This example shows how to register an EEM policy with the EEM:

Basic switch configuration:

```
event manager applet vpc_check_peer_at_startup
event track 101 state up
action 1.0 cli copy bootflash:eem/user_script_policies/load_schedules running-config

feature scheduler

!!## 2 x dummy loopbacks are required ##!!
interface loopback 101
interface loopback 102

track 1 list boolean or
```

```
object 13
object 12
object 102
track 2 list boolean and
object 13
object 12
track 12 interface Ethernet 2/24 line-protocol
track 13 interface port-channel 3000 line-protocol
track 101 interface loopback 101 line-protocol
track 102 interface loopback 102 line-protocol
```



---

**Note** In this example, port channel 3000 is the vPC peer link, and Ethernet 2/24 is the vPC keepalive link.

---

You need to copy the following files to the bootflash:

- A directory called: /eem/user\_script\_policies needs to be created on the supervisor bootflash.
- These five files need to be created and loaded into the above directory:
  - load\_schedules
  - remove\_vpc\_if\_peer\_failed
  - clean\_up
  - unload\_schedules
  - restore\_vpc

Configuration for the load\_schedules file:

```
feature scheduler

configure terminal
scheduler job name vpc_check
configure terminal
event manager policy remove_vpc_if_peer_failed
end

configure terminal
scheduler job name clean_up
configure terminal
event manager policy clean_up
end

configure terminal
scheduler job name trigger
configure terminal
interface loopback 102
shutdown
no shutdown
end

configure terminal
scheduler schedule name load_vpc_check
time start +00:00:04
job name vpc_check

scheduler schedule name trigger_vpc_check
time start +00:00:05
job name trigger

scheduler schedule name load_clean_up
```

```
time start +00:00:08
job name clean_up
```

```
scheduler schedule name trigger_clean_up
time start +00:00:10
job name trigger
```

#### Configuration for the remove\_vpc\_if\_peer\_failed file:

```
event manager applet remove_vpc_if_peer_failed
event track 1 state down
action 1.0 cli show run vpc > bootflash://sup-active/eem/user_script_policies/vpc_saved.cfg
action 2.0 cli show run vpc > bootflash://sup-standby/eem/user_script_policies/vpc_saved.cfg
action 3.0 cli configure terminal
action 4.0 cli no feature vpc
action 5.0 syslog msg severity alert "##### WARNING!!!! PEER SWITCH FAILED TO COME ONLINE.
VPC CONFIG REMOVED #####"
action 6.0 cli event manager policy restore_vpc
action 7.0 cli copy bootflash:eem/user_script_policies/unload_schedules running-config
action 8.0 cli no event manager applet remove_vpc_if_peer_failed
action 9.0 cli end
```

#### Configuration for the clean\_up file:

```
event manager applet clean_up
event track 102 state up
action 1.0 cli configure terminal
action 2.0 cli no event manager applet remove_vpc_if_peer_failed
action 3.0 cli copy bootflash:eem/user_script_policies/unload_schedules running
action 4.0 cli no event manager applet clean_up
action 5.0 end
```

#### Configuration for the unload\_schedules file:

```
no scheduler schedule name load_vpc_check
no scheduler schedule name trigger_vpc_check
no scheduler schedule name load_clean_up
no scheduler schedule name trigger_clean_up
no scheduler job name vpc_check
no scheduler job name trigger
no scheduler job name clean_up
```

#### Configuration for the restore\_vpc file:

```
event manager applet restore_vpc
event track 2 state up
action 1.0 cli copy bootflash:eem/user_script_policies/vpc_saved.cfg running-config
action 2.0 syslog msg severity alert "##### VPC PEER DETECTED. VPC CONFIG RESTORED #####"
action 3.0 cli configure terminal
action 4.0 cli copy bootflash:eem/user_script_policies/unload_schedules running-config
action 5.0 cli no event manager applet restore_vpc
action 6.0 cli end
```



## APPENDIX **C**

# Configuration Limits for Cisco NX-OS System Management

---

The configuration limits are documented in the *Cisco Nexus 7000 Series NX-OS Verified Scalability Guide*.

- [Configuration Limits for Cisco NX-OS System Management, on page 481](#)

## Configuration Limits for Cisco NX-OS System Management

The configuration limits are documented in the *Cisco Nexus 7000 Series NX-OS Verified Scalability Guide*.

