



## **Cisco Nexus 93108TC-FX3P NX-OS Mode Switch Hardware Installation Guide**

**First Published:** 2020-07-14

### **Americas Headquarters**

Cisco Systems, Inc.  
170 West Tasman Drive  
San Jose, CA 95134-1706  
USA  
<http://www.cisco.com>  
Tel: 408 526-4000  
800 553-NETS (6387)  
Fax: 408 527-0883

THE SPECIFICATIONS AND INFORMATION REGARDING THE PRODUCTS REFERENCED IN THIS DOCUMENTATION ARE SUBJECT TO CHANGE WITHOUT NOTICE. EXCEPT AS MAY OTHERWISE BE AGREED BY CISCO IN WRITING, ALL STATEMENTS, INFORMATION, AND RECOMMENDATIONS IN THIS DOCUMENTATION ARE PRESENTED WITHOUT WARRANTY OF ANY KIND, EXPRESS OR IMPLIED.

The Cisco End User License Agreement and any supplemental license terms govern your use of any Cisco software, including this product documentation, and are located at: <http://www.cisco.com/go/softwareterms>. Cisco product warranty information is available at <http://www.cisco.com/go/warranty>. US Federal Communications Commission Notices are found here <http://www.cisco.com/c/en/us/products/us-fcc-notice.html>.

IN NO EVENT SHALL CISCO OR ITS SUPPLIERS BE LIABLE FOR ANY INDIRECT, SPECIAL, CONSEQUENTIAL, OR INCIDENTAL DAMAGES, INCLUDING, WITHOUT LIMITATION, LOST PROFITS OR LOSS OR DAMAGE TO DATA ARISING OUT OF THE USE OR INABILITY TO USE THIS MANUAL, EVEN IF CISCO OR ITS SUPPLIERS HAVE BEEN ADVISED OF THE POSSIBILITY OF SUCH DAMAGES.

Any products and features described herein as in development or available at a future date remain in varying stages of development and will be offered on a when-and if-available basis. Any such product or feature roadmaps are subject to change at the sole discretion of Cisco and Cisco will have no liability for delay in the delivery or failure to deliver any products or feature roadmap items that may be set forth in this document.

Any Internet Protocol (IP) addresses and phone numbers used in this document are not intended to be actual addresses and phone numbers. Any examples, command display output, network topology diagrams, and other figures included in the document are shown for illustrative purposes only. Any use of actual IP addresses or phone numbers in illustrative content is unintentional and coincidental.

The documentation set for this product strives to use bias-free language. For the purposes of this documentation set, bias-free is defined as language that does not imply discrimination based on age, disability, gender, racial identity, ethnic identity, sexual orientation, socioeconomic status, and intersectionality. Exceptions may be present in the documentation due to language that is hardcoded in the user interfaces of the product software, language used based on RFP documentation, or language that is used by a referenced third-party product.

Cisco and the Cisco logo are trademarks or registered trademarks of Cisco and/or its affiliates in the U.S. and other countries. To view a list of Cisco trademarks, go to this URL: [www.cisco.com go trademarks](http://www.cisco.com/go/trademarks). Third-party trademarks mentioned are the property of their respective owners. The use of the word partner does not imply a partnership relationship between Cisco and any other company. (1721R)

© 2020 Cisco Systems, Inc. All rights reserved.



## CONTENTS

---

### PREFACE

#### **Preface** vii

Audience vii

Documentation Conventions vii

Documentation Feedback viii

Obtaining Documentation and Submitting a Service Request viii

---

### CHAPTER 1

#### **Overview** 1

Overview 1

---

### CHAPTER 2

#### **Preparing the Site** 5

Temperature Requirements 5

Humidity Requirements 5

Altitude Requirements 5

Dust and Particulate Requirements 6

Minimizing Electromagnetic and Radio Frequency Interference 6

Shock and Vibration Requirements 7

Grounding Requirements 7

Planning for Power Requirements 7

Airflow Requirements 8

Rack and Cabinet Requirements 9

Clearance Requirements 9

---

### CHAPTER 3

#### **Installing the Chassis** 11

Safety 11

Installation Options with Rack-Mount Kits 14

Airflow Considerations 15

Installation Guidelines 15

Unpacking and Inspecting the Switch 16

Installing the Switch Using the NXX-ACC-KIT-1RU Rack-Mount Kit 16

Installing the Switch into a Two-Post Rack Using the NXX-ACC-KIT-1RU Rack-Mount Kit 20

Installing the Airflow Sleeve (N9K-AIRFLOW-SLV) 23

Grounding the Chassis 24

Starting the Switch 25

---

**CHAPTER 4**      **Connecting the Switch to the Network 29**

    Overview of Network Connections 29

    Connecting a Console to the Switch 30

    Creating the Initial Switch Configuration 31

    Setting Up the Management Interface 32

    Connecting Interface Ports to Other Devices 33

---

**CHAPTER 5**      **Replacing Components 35**

    Replacing a Fan Module 35

        Removing a Fan Module 35

        Installing a Fan Module 36

    Replacing a Power Supply Module 36

        Removing an AC Power Supply 36

        Removing a DC Power Supply 37

        Installing an AC Power Supply 37

        Installing a DC Power Supply 38

---

**APPENDIX A**      **Rack Specifications 41**

    Overview of Racks 41

    General Requirements for Cabinets and Racks 41

    Requirements Specific to Standard Open Racks 42

    Requirements Specific to Perforated Cabinets 42

    Cable Management Guidelines 42

---

**APPENDIX B**      **System Specifications 43**

    Environmental Specifications 43

Switch Dimensions	43
Switch and Module Weights and Quantities	44
Transceiver and Cable Specifications	44
Switch Power Input Requirements	44
Power Specifications	45
715-W DC Power Supply Specifications	45
1100-W AC Power Supply Specifications	45
1900-W AC Power Supply Specifications	46
Power Cable Specifications	46
Power Cable Specifications for AC Power Supplies	46
Power Cables for NXA-PAC-1100W Power Supplies	47
DC Power Cable Specifications	49
Regulatory Standards Compliance Specifications	49

---

**APPENDIX C****LEDs 51**

Switch Chassis LEDs	51
Fan Module LEDs	52
Power Supply LEDs	52

---

**APPENDIX D****Additional Kits 55**

Rack Mount Kit NXK-ACC-KIT-1RU	55
Airflow Sleeve	56





## Preface

- [Audience, on page vii](#)
- [Documentation Conventions, on page vii](#)
- [Documentation Feedback, on page viii](#)
- [Obtaining Documentation and Submitting a Service Request , on page viii](#)

## Audience

This publication is for hardware installers and network administrators who install, configure, and maintain Cisco Nexus switches.

## Documentation Conventions

Command descriptions use the following conventions:

Convention	Description
<b>bold</b>	Bold text indicates the commands and keywords that you enter literally as shown.
<i>Italic</i>	Italic text indicates arguments for which the user supplies the values.
[x]	Square brackets enclose an optional element (keyword or argument).
[x   y]	Square brackets enclosing keywords or arguments separated by a vertical bar indicate an optional choice.
{x   y}	Braces enclosing keywords or arguments separated by a vertical bar indicate a required choice.
[x {y   z}]	Nested set of square brackets or braces indicate optional or required choices within optional or required elements. Braces and a vertical bar within square brackets indicate a required choice within an optional element.
<i>variable</i>	Indicates a variable for which you supply values, in context where italics cannot be used.

Convention	Description
string	A nonquoted set of characters. Do not use quotation marks around the string or the string will include the quotation marks.

Examples use the following conventions:

Convention	Description
<code>screen font</code>	Terminal sessions and information the switch displays are in screen font.
<b>boldface screen font</b>	Information you must enter is in boldface screen font.
<i>italic screen font</i>	Arguments for which you supply values are in italic screen font.
<>	Nonprinting characters, such as passwords, are in angle brackets.
[ ]	Default responses to system prompts are in square brackets.
!, #	An exclamation point (!) or a pound sign (#) at the beginning of a line of code indicates a comment line.

## Documentation Feedback

To provide technical feedback on this document, or to report an error or omission, please send your comments to . We appreciate your feedback.

## Obtaining Documentation and Submitting a Service Request

For information on obtaining documentation, using the Cisco Bug Search Tool (BST), submitting a service request, and gathering additional information, see *What's New in Cisco Product Documentation*, at: <https://www.cisco.com/warp/public/687/Directory/DirTAC.shtml>.

Subscribe to *What's New in Cisco Product Documentation*, which lists all new and revised Cisco technical documentation as an RSS feed and delivers content directly to your desktop using a reader application. The RSS feeds are a free service.





# CHAPTER 1

## Overview

- [Overview, on page 1](#)

## Overview

The Cisco Nexus 93108TC-FX3P switch (N9K-C93108TC-FX3P, N9K-C93108TC-FX3H) is a 1-rack unit (RU), fixed-port switch designed for deployment in data centers. PoE is supported on ports 1-48. This switch supports the following ports:

- 48 100M/1/2.5/5/10GBASE-T ports (ports 1-48).
- 6 40/100-Gigabit ports QSFP28 (ports 49-54)
- Two management ports (one 10/100/1000BASE-T port and one SFP port)
- One console port (RS-232)
- 1 USB port

This switch includes the following user-replaceable components:

- Fan modules (four) with the following airflow choices:
  - Port-side exhaust fan module with blue coloring (NXA-FAN-35CFM-PE)
  - Port-side intake fan module with burgundy coloring (NXA-FAN-35CFM-PI)



**Note** *Table 1: Fan Speeds for This Switch*

	<b>Port-Side Intake Fan Speed %</b>	<b>Port-Side Exhaust Fan Speed %</b>
Typical/Minimum	50%	70%
Maximum	100%	100%



**Note** Each fan module has two rotors. The switch can function normally if one rotor inside the any one fan module fails. In case of more than one rotor failure, the switch will issue a warning and power down in 2 minute.



**Note** This switch runs with +1 redundancy mode, so that if one fan fails, the switch can sustain operation. But if a 2nd fan fails, this switch is not designed to sustain operation. Hence before waiting for major threshold temperature to be hit, the switch will power down due to **Powered-down due to fan policy trigger**.

- Power supply modules (two—One for operations and one for redundancy [1+1]) with the following choices:
  - 715-W port-side intake DC power supply with blue coloring (NXA-PDC-715W-PI)
  - 1100-W port-side exhaust AC power supply with blue coloring (NXA-PAC-1100W-PE)
  - 1100-W port-side intake AC power supply with burgundy coloring (NXA-PAC-1100W-PI)
  - 1900-W port-side intake AC power supply with burgundy coloring (NXA-PAC-1900W-PI)



**Note** All fan modules and power supplies must use the same airflow direction.

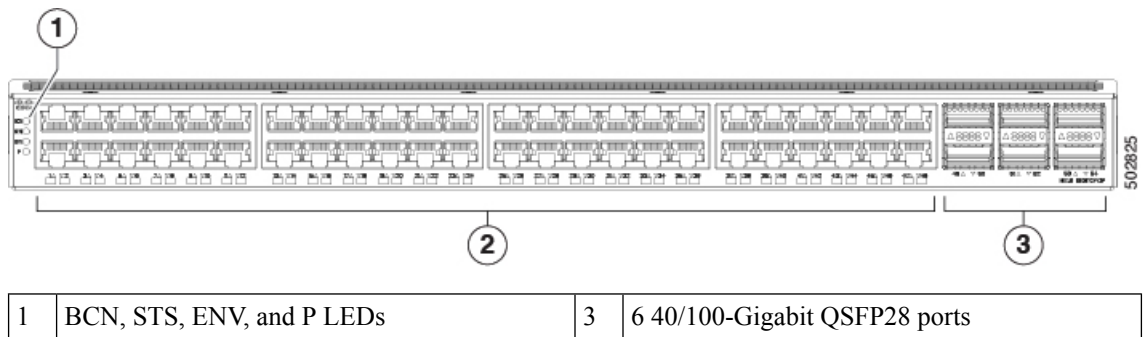


**Note** The details of the 1900-W power supply (NXA-PAC-1900W-PI) will not display in the CLI show commands, until a working power source is connected to the power supply.



**Note** This switch may present access issues if installed between switches with greater chassis depth. Please consider this before installation.

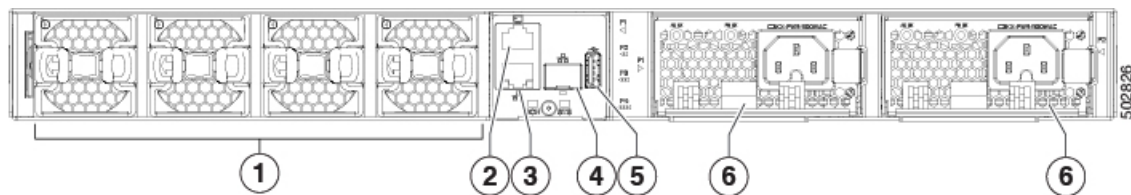
The following figure shows the switch features on the port side of the chassis.



2	48 100M/1/2.5/5/10GT ports		
---	----------------------------	--	--

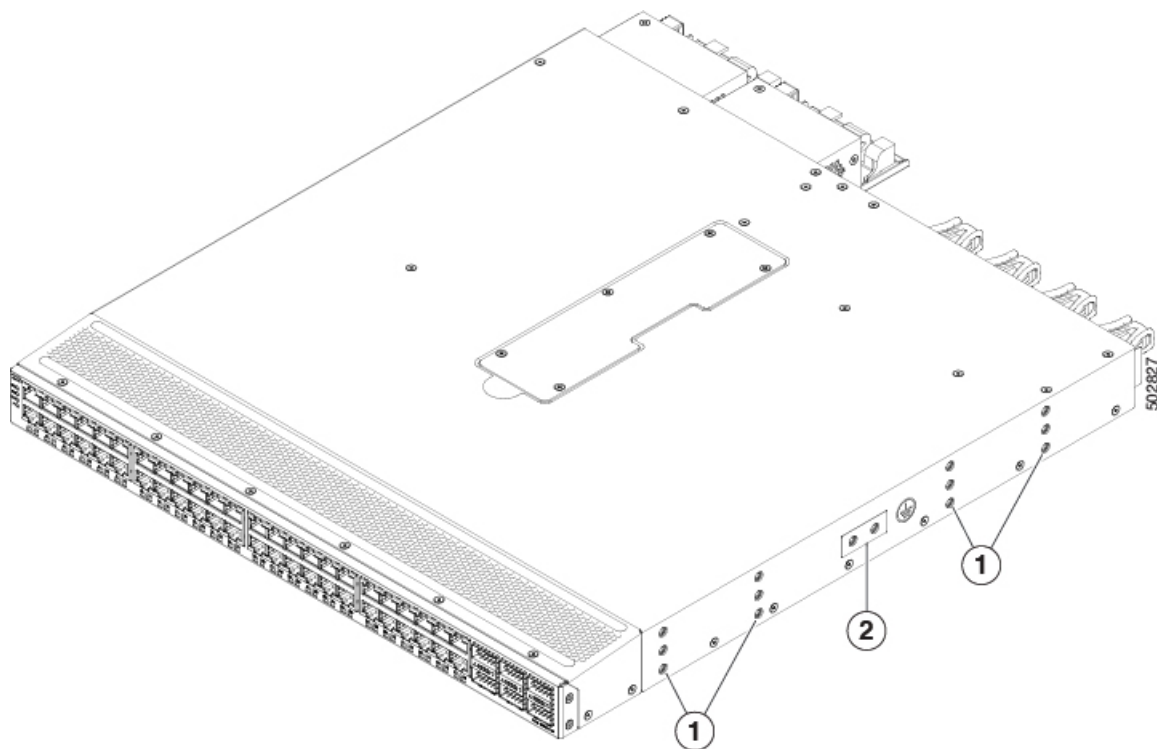
To determine which transceivers, adapters, and cables are support this switch, see the [Cisco Transceiver Modules Compatibility Information](#) document.

The following figure shows the switch features on the power supply side of the chassis.



1	Fan modules (4) with slots numbered from 1 (left) to 4 (right)	4	Management port (1—SFP optical port)
2	Console port (1)	5	USB port (1)
3	Management port (1—RJ-45 copper port)	6	Power supply modules (1 or 2) (AC power supplies shown) with slots numbered 1 (left) and 2 (right)

The following figure shows the side of the chassis.



1	Screw holes for mounting brackets	3	Grounding pad
---	-----------------------------------	---	---------------

Depending on whether you plan to position the ports in a hot or cold aisle, you can order the fan and power supply modules with port-side intake or port-side exhaust airflow. For port-side intake airflow, the fan and

power supplies have burgundy coloring. For port-side exhaust airflow, the fan and power supplies have blue coloring.

The fan and power supply modules are field replaceable. You can replace one fan module or one power supply module during operations so long as the other modules are installed and operating. If you have only one power supply installed, you can install the replacement power supply in the open slot before removing the original power supply.



---

**Note** All fan and power supply modules must have the same direction of airflow. Otherwise, the switch can overheat and shut down.

---



---

**Caution** If the switch has port-side intake airflow (burgundy coloring for fan modules), you must locate the ports in the cold aisle. If the switch has port-side exhaust airflow (blue coloring for fan modules), you must locate the ports in the hot aisle. If you locate the air intake in a hot aisle, the switch can overheat and shut down.

---



## CHAPTER 2

# Preparing the Site

---

- [Temperature Requirements, on page 5](#)
- [Humidity Requirements, on page 5](#)
- [Altitude Requirements, on page 5](#)
- [Dust and Particulate Requirements, on page 6](#)
- [Minimizing Electromagnetic and Radio Frequency Interference, on page 6](#)
- [Shock and Vibration Requirements, on page 7](#)
- [Grounding Requirements, on page 7](#)
- [Planning for Power Requirements, on page 7](#)
- [Airflow Requirements, on page 8](#)
- [Rack and Cabinet Requirements, on page 9](#)
- [Clearance Requirements, on page 9](#)

## Temperature Requirements

The switch requires an operating temperature of 32 to 104 degrees Fahrenheit (0 to 40 degrees Celsius). If the switch is not operating, the temperature must be between –40 to 158 degrees Fahrenheit (–40 to 70 degrees Celsius).

## Humidity Requirements

High humidity can cause moisture to enter the switch. Moisture can cause corrosion of internal components and degradation of properties such as electrical resistance, thermal conductivity, physical strength, and size. The switch is rated to withstand from 5- to 95-percent (nonoperating) and 5- to 90-percent (operating) relative humidity.

Buildings in which the climate is controlled by air-conditioning in the warmer months and by heat during the colder months usually maintain an acceptable level of humidity for the switch equipment. However, if the switch is located in an unusually humid location, use a dehumidifier to maintain the humidity within an acceptable range.

## Altitude Requirements

Altitude rating is 10,000 ft (3048 m). For China, it is 6,562 ft (2000 m).

## Dust and Particulate Requirements

Exhaust fans cool power supplies and system fans cool switches by drawing in air and exhausting air out through various openings in the chassis. However, fans also ingest dust and other particles, causing contaminant buildup in the switch and increased internal chassis temperature. Dust and particles can act as insulators and interfere with the mechanical components in the switch. A clean operating environment can greatly reduce the negative effects of dust and other particles.

In addition to keeping your environment free of dust and particles, follow these precautions to avoid contamination of your switch:

- Do not permit smoking near the switch.
- Do not permit food or drink near the switch.

## Minimizing Electromagnetic and Radio Frequency Interference

Electromagnetic interference (EMI) and radio frequency interference (RFI) from the switch can adversely affect other devices, such as radio and television (TV) receivers. Radio frequencies that emanate from the switch can also interfere with cordless and low-power telephones. Conversely, RFI from high-power telephones can cause spurious characters to appear on the switch monitor.

RFI is defined as any EMI with a frequency above 10 kHz. This type of interference can travel from the switch to other devices through the power cable and power source or through the air as transmitted radio waves. The Federal Communications Commission (FCC) publishes specific regulations to limit the amount of EMI and RFI that are emitted by computing equipment. Each switch meets these FCC regulations.

To reduce the possibility of EMI and RFI, follow these guidelines:

- Cover all open expansion slots with a blank filler plate.
- Always use shielded cables with metal connector shells for attaching peripherals to the switch.

When wires are run for any significant distance in an electromagnetic field, interference can occur to the signals on the wires with the following implications:

- Bad wiring can result in radio interference emanating from the plant wiring.
- Strong EMI, especially when it is caused by lightning or radio transmitters, can destroy the signal drivers and receivers in the chassis and even create an electrical hazard by conducting power surges through lines into equipment.



---

**Note** To predict and prevent strong EMI, you need to consult experts in radio frequency interference (RFI).

---

The wiring is unlikely to emit radio interference if you use a twisted-pair cable with a good distribution of grounding conductors. If you exceed the recommended distances, use a high-quality twisted-pair cable with one ground conductor for each data signal when applicable.

**Caution**

If the wires exceed the recommended distances, or if wires pass between buildings, give special consideration to the effect of a lightning strike in your vicinity. The electromagnetic pulse that is caused by lightning or other high-energy phenomena can easily couple enough energy into unshielded conductors to destroy electronic switches. You will want to consult experts in electrical surge suppression and shielding if you had similar problems in the past.

## Shock and Vibration Requirements

The switch has been shock- and vibration-tested for operating ranges, handling, and earthquake standards.

## Grounding Requirements

The switch is sensitive to variations in voltage that is supplied by the power sources. Overvoltage, undervoltage, and transients (or spikes) can erase data from memory or cause components to fail. To protect against these types of problems, ensure that there is an earth-ground connection for the switch. You can connect the grounding pad on the switch either directly to the earth-ground connection or to a fully bonded and grounded rack.

When you properly install the chassis in a grounded rack, the switch is grounded because it has a metal-to-metal connection to the rack. Alternatively, you can ground the chassis by using a customer-supplied grounding cable that meets your local and national installation requirements. For U.S. installations, we recommend 6-AWG wire. Connect your grounding cable to the chassis with a grounding lug (provided in the switch accessory kit) and to the facility ground.

**Note**

You automatically ground AC power supplies when you connect them to AC power sources. For DC power supplies, you must connect a grounding wire when wiring the power supply to the DC power source.

**Note**

An electrical conducting path shall exist between the product chassis and the metal surface of the enclosure or rack in which it is mounted or to a grounding conductor. Electrical continuity shall be provided by using thread-forming type mounting screws that remove any paint or non-conductive coatings and establish a metal-to-metal contact. Any paint or other non-conductive coatings shall be removed on the surfaces between the mounting hardware and the enclosure or rack. The surfaces shall be cleaned and an antioxidant applied before installation.

## Planning for Power Requirements

The switch includes two power supplies (1-to-1 redundancy with current sharing) in one of the following combinations:

- Two 1100-W AC power supplies
- Two 1900-W AC power supplies



---

**Note** For 1+1 redundancy, you must use two power sources and connect each power supply to a separate power source.

---

The power supplies are rated to output up to 1100 W, but the switch requires less than those amounts of power from the power supply. To operate the switch, you must provision enough power from the power source to cover the requirements of both the switch and a power supply. Typically, this switch and a power supply require about 367 W of power input from the power source, but you must provision as much as 777 W power input from the power source to cover peak demand.



---

**Note** Some of the power supply modules have rating capabilities that exceed the switch requirements. When calculating your power requirements, use the switch requirements to determine the amount of power that is required for the power supplies.

---

To minimize the possibility of circuit failure, make sure that each power-source circuit that is used by the switch is dedicated to the switch.



---

**Warning** **Statement 1033**—Safety Extra-Low Voltage (SELV)—IEC 60950/ES1—IEC 62368 DC Power Supply  
To reduce the risk of electric shock, connect the unit to a DC power source that complies with the SELV requirements in IEC 60950-based safety standards or ES1 and PS1 requirements in IEC 62368-based safety standards or to a Class 2 power supply.

---



---

**Note** We recommend 8-AWG wire for DC installations in the U.S.

---

## Airflow Requirements

The switch is positioned with its ports in either the front or the rear of the rack depending on your cabling and maintenance requirements.

To identify the airflow options for your switch, see the user-replaceable components in the *Overview* section of this document.

You must have fan and power supply modules that move the coolant air from the cold aisle to the hot aisle in one of the following ways:

- Port-side exhaust airflow—Cool air enters the chassis through the fan and power supply modules in the cold aisle and exhausts through the port end of the chassis in the hot aisle.
- Port-side intake airflow—Cool air enters the chassis through the port end in the cold aisle and exhausts through the fan and power supply modules in the hot aisle.

You can identify the airflow direction of each fan and power supply module by its coloring as follows:

- Blue coloring indicates port-side exhaust airflow.



- Burgundy coloring indicates port-side intake airflow.



---

**Note** To prevent the switch from overheating and shutting down, you must position the air intake for the switch in a cold aisle. The fan and power supply modules must have the same direction of airflow. If you must change the airflow direction for the switch, you must shutdown the switch before changing the modules.

---

## Rack and Cabinet Requirements

You can install the following types of racks or cabinets for your switch:

- Standard perforated cabinets
- Solid-walled cabinets with a roof fan tray (bottom-to-top cooling)
- Standard open four-post Telco racks

Work with your cabinet vendors to determine which of their cabinets meet the following requirements or see the Cisco Technical Assistance Center (TAC) for recommendations:

- Use a standard 19-inch (48.3-cm), four-post Electronic Industries Alliance (EIA) cabinet or rack with mounting rails that conform to English universal hole spacing per section 1 of the ANSI/EIA-310-D-1992 standard.
- The depth of a four-post rack must be 24 to 32 inches (61.0 to 81.3 cm) between the front and rear mounting rails (for proper mounting of the bottom-support brackets or other mounting hardware).

Also, you must have power receptacles that are located within reach of the power cords that are used with the switch.



---

**Warning** **Statement 1048**—Rack Stabilization

The rack stabilizing mechanism must be in place, or the rack must be bolted to the floor before installation or servicing. Failure to stabilize the rack can cause bodily injury.

---

## Clearance Requirements

Provide the chassis with adequate clearance between the chassis and any other rack, device, or structure so that you can properly install the chassis. Provide the chassis with adequate clearance to route cables, provide airflow, and maintain the switch. For the clearances required for an installation of this chassis in a four-post rack, see the following figure.





## CHAPTER 3

# Installing the Chassis

---

- [Safety](#), on page 11
- [Installation Options with Rack-Mount Kits](#), on page 14
- [Airflow Considerations](#), on page 15
- [Installation Guidelines](#), on page 15
- [Unpacking and Inspecting the Switch](#), on page 16
- [Installing the Switch Using the NXK-ACC-KIT-1RU Rack-Mount Kit](#), on page 16
- [Installing the Switch into a Two-Post Rack Using the NXK-ACC-KIT-1RU Rack-Mount Kit](#), on page 20
- [Installing the Airflow Sleeve \(N9K-AIRFLOW-SLV\)](#), on page 23
- [Grounding the Chassis](#), on page 24
- [Starting the Switch](#), on page 25

## Safety

Before you install, operate, or service the switch, see the *Regulatory, Compliance, and Safety Information for the Cisco Nexus 3000 and 9000 Series* for important Safety Information.



---

**Warning** **Statement 1071**—Warning Definition

**IMPORTANT SAFETY INSTRUCTIONS**

Before you work on any equipment, be aware of the hazards involved with electrical circuitry and be familiar with standard practices for preventing accidents. Read the installation instructions before using, installing, or connecting the system to the power source. Use the statement number provided at the end of each warning statement to locate its translation in the translated safety warnings for this device.

**SAVE THESE INSTRUCTIONS**

---

**Warning Statement 1089**—Instructed and Skilled Person Definitions

An instructed person is someone who has been instructed and trained by a skilled person and takes the necessary precautions when working with equipment.

A skilled person or qualified personnel is someone who has training or experience in the equipment technology and understands potential hazards when working with equipment.

There are no serviceable parts inside. To avoid risk of electric shock, do not open.

**Warning Statement 1074**—Comply with Local and National Electrical Codes

To reduce risk of electric shock or fire, installation of the equipment must comply with local and national electrical codes.

**Note Statement 407**—Japanese Safety Instruction

You are strongly advised to read the safety instruction before using the product.

<https://www.cisco.com/web/JP/techdoc/pldoc/pldoc.html>

When installing the product, use the provided or designated connection cables/power cables/AC adapters.

〈製品仕様における安全上の注意〉  
www.cisco.com/web/JP/techdoc/index.html

接続ケーブル、電源コードセット、ACアダプタ、バッテリーなどの部品は、必ず添付品または指定品をご使用ください。添付品・指定品以外をご使用になると故障や動作不良、火災の原因となります。また、電源コードセットは弊社が指定する製品以外の電気機器には使用できないためご注意ください。

**Warning Statement 1017**—Restricted Area

This unit is intended for installation in restricted access areas. Only skilled, instructed, or qualified personnel can access a restricted access area.

**Warning Statement 1030**—Equipment Installation

Only trained and qualified personnel should be allowed to install, replace, or service this equipment.

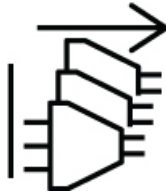
**Warning Statement 1091**—Installation by an Instructed Person

Only an instructed person or skilled person should be allowed to install, replace, or service this equipment. See statement 1089 for the definition of an instructed or skilled person.

There are no serviceable parts inside. To avoid risk of electric shock, do not open.

**Warning Statement 1028—More Than One Power Supply**

This unit might have more than one power supply connection. To reduce risk of electric shock, remove all connections to de-energize the unit.

**Warning Statement 1003—Power Disconnection**

To reduce risk of electric shock or personal injury, disconnect DC power before removing or replacing components or performing upgrades.

**Warning Statement 1046—Installing or Replacing the Unit**

To reduce risk of electric shock, when installing or replacing the unit, the ground connection must always be made first and disconnected last.

If your unit has modules, secure them with the provided screws.

**Warning Statement 1022—Disconnect Device**

To reduce the risk of electric shock and fire, a readily accessible disconnect device must be incorporated in the fixed wiring.

**Warning Statement 1033—Safety Extra-Low Voltage (SELV)—IEC 60950/ES1—IEC 62368 DC Power Supply**

To reduce the risk of electric shock, connect the unit to a DC power source that complies with the SELV requirements in IEC 60950-based safety standards or ES1 and PS1 requirements in IEC 62368-based safety standards or to a Class 2 power supply.

**Warning Statement 1024—Ground Conductor**

This equipment must be grounded. To reduce the risk of electric shock, never defeat the ground conductor or operate the equipment in the absence of a suitably installed ground conductor. Contact the appropriate electrical inspection authority or an electrician if you are uncertain that suitable grounding is available.



---

**Warning** **Statement 1032**—Lifting the Chassis

To prevent personal injury or damage to the chassis, never attempt to lift or tilt the chassis using the handles on modules, such as power supplies, fans, or cards. These types of handles are not designed to support the weight of the unit.

---



---

**Warning** **Statement 1006**—Chassis Warning for Rack-Mounting and Servicing

To prevent bodily injury when mounting or servicing this unit in a rack, you must take special precautions to ensure that the system remains stable. The following guidelines are provided to ensure your safety:

- This unit should be mounted at the bottom of the rack if it is the only unit in the rack.
  - When mounting this unit in a partially filled rack, load the rack from the bottom to the top with the heaviest component at the bottom of the rack.
  - If the rack is provided with stabilizing devices, install the stabilizers before mounting or servicing the unit in the rack.
- 



---

**Caution** To prevent loss of input power, ensure the total maximum loads on the circuits supplying power to the switch are within the current ratings for the wiring and breakers.

---



---

**Note** For AC input application, please refer to the statement below:

---



---

**Warning** **Statement 1005**—Circuit Breaker

This product relies on the building's installation for short-circuit (overcurrent) protection. Ensure that the protective devices is rated not greater than 20A (North America), 16A (Europe), and 13A (UK).

---

## Installation Options with Rack-Mount Kits

The rack-mount kit enables you to install the switch into racks of varying depths. You can position the switch with easy access to either the port connections or the fan and power supply modules.

You can install the switch using the following rack-mount options:

- Rack-mount kit (NXX-ACC-KIT-1RU) which you can order from Cisco. This option offers you easy installation, greater stability, increased weight capacity, added accessibility, and improved removability with front and rear removal.
- Rack-mount kit (N3K-C3064-ACC-KIT) which you can order from Cisco.

The rack or cabinet that you use must meet the requirements listed in [General Requirements for Cabinets and Racks, on page 41](#) section.



---

**Note** You are responsible for verifying that your rack and rack-mount hardware comply with the guidelines that are described in this doc.

---

## Airflow Considerations

The switch comes with fan and power supply modules that have either port-side intake or port-side exhaust airflow for cooling the switch. If you are positioning the port end of the switch in a cold aisle, make sure that the switch has port-side intake fan modules with burgundy coloring. If you are positioning the fan and power supply modules in a cold aisle, make sure that the switch has port-side exhaust fan modules with blue colorings. All fan modules must have the same direction of airflow.

Each fan module includes two fan rotors that are counter rotating.

## Installation Guidelines

When installing the switch, follow these guidelines:

- Ensure that there is adequate clearance space around the switch to allow for servicing the switch and for adequate airflow.
- Ensure that the chassis can be adequately grounded. If the switch is not mounted in a grounded rack, we recommend connecting the system ground on the chassis directly to an earth ground.
- Ensure that the site power meets the power requirements for the switch. If available, you can use an uninterruptible power supply (UPS) to protect against power failures.



---

**Caution** Avoid UPS types that use ferroresonant technology. These UPS types can become unstable with the switch, which can have substantial current draw fluctuations because of fluctuating data traffic patterns.

---

- Ensure that circuits are sized according to local and national codes. Typically, this often requires one or both of the following:
  - AC power supplies typically require at least a 15-A or 20-A AC circuit, 100 to 240 VAC, and a frequency of 50 to 60 Hz.



---

**Caution** To prevent loss of input power, ensure the total maximum loads on the circuits supplying power to the switch are within the current ratings for the wiring and breakers.

---

## Unpacking and Inspecting the Switch

Before you install the switch, be sure to unpack and inspect the switch for damage or missing components. If anything is missing or damaged, contact your customer service representative immediately.



---

**Tip** Keep the shipping container in case the chassis requires shipping at a later time.

---

### Before you begin

Before you unpack the switch and before you handle any switch components, be sure that you are wearing a grounded electrostatic discharge (ESD) strap. To ground the strap, attach it directly to an earth ground or to a grounded rack or grounded chassis (there must be a metal-to-metal connection to the earth ground).

---

**Step 1** Compare the shipment to the equipment list provided by your customer service representative and verify that you have received all items, including the following:

- Accessory Kit

**Step 2** Check for damage and report any discrepancies or damage to your customer service representative. Have the following information ready:

- Invoice number of shipper (see packing slip)
  - Model and serial number of the damaged unit
  - Description of damage
  - Effect of damage on the installation
- 

## Installing the Switch Using the NXK-ACC-KIT-1RU Rack-Mount Kit

To install the switch, you must attach front and rear mounting brackets to the switch, install slider rails on the rear of the rack, slide the switch onto the slider rails, and secure the switch to the front of the rack. Typically, the front of the rack is the side easiest to access for maintenance.



---

**Note** You must supply the eight 10-32 or 12-24 screws required to mount the slider rails and switch to the rack.

---

### Before you begin

- You have inspected the switch shipment to ensure that you have everything ordered.



- Make sure that the switch rack-mount kit includes the following parts:
  - Front rack-mount brackets (2)
  - Rear rack-mount brackets (2)
  - Slider rails (2)
  - M4 x 0.7 x 8-mm Phillips countersink screws (12)
- The rack is installed and secured to its location.

**Step 1**

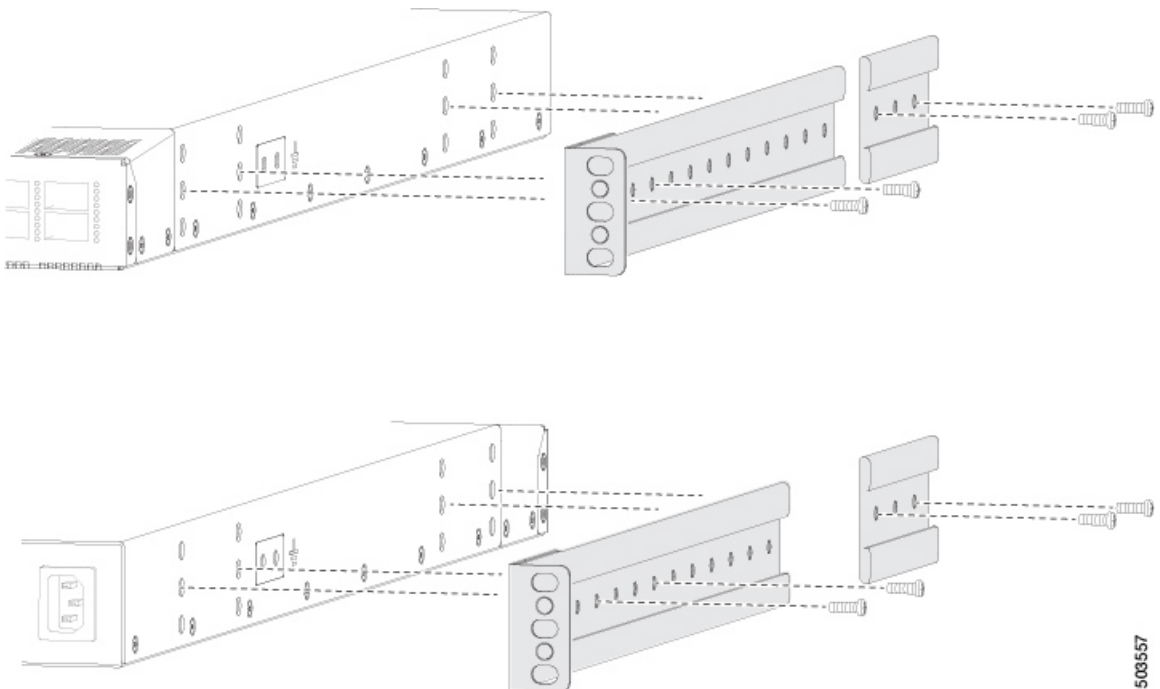
Install two front rack-mount brackets and the two rear rack-mount brackets to the switch as follows:

a) Determine which end of the chassis is to be located in the cold aisle as follows:

- If the switch has port-side intake modules (fan modules with burgundy coloring), position the switch so that its ports will be in the cold aisle.
- If the switch has port-side exhaust modules (fan modules with blue coloring), position the switch so that its fan and power supply modules will be in the cold aisle.

b) Position the front rack-mount bracket and the rear rack-mount bracket so that its screw holes are aligned to the screw holes on the side of the chassis.

**Note** You can align the holes in the rack-mount bracket to the holes on the side of the chassis (see the two ways to mount these brackets on a typical chassis, in following figure). The holes that you use depend on the requirements of your rack and the amount of clearance required for interface cables (3 inches [7.6 mm] minimum) and module handles (1 inch [2.5 mm] minimum).



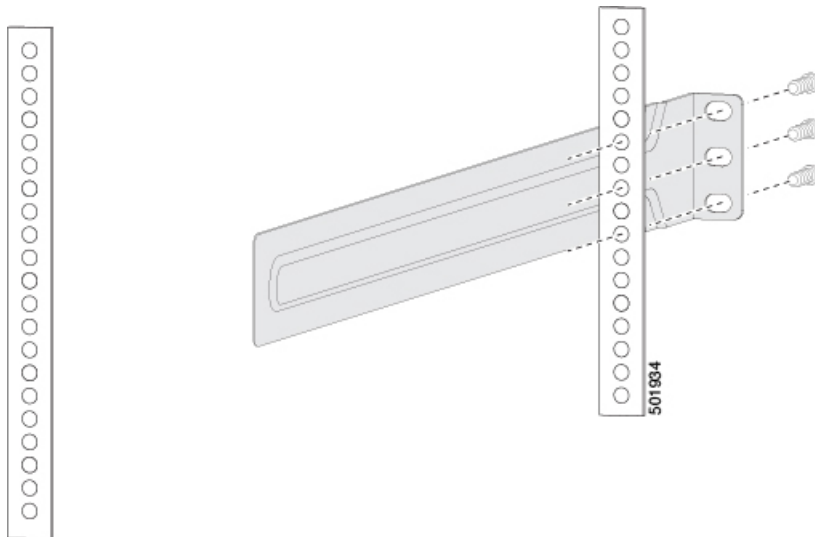
- c) Secure the front-mount bracket and the back-mount bracket to the chassis using four M4 screws and tighten each screw to 12 in-lb (1.36 N·m) of torque.
- d) Repeat Step 1 for the other front rack-mount bracket and the other back-mount bracket on the other side of the switch and be sure to position that bracket the same distance from the front of the switch.

**Note** Depending on the chassis depth, the back rack-mount bracket may not fit. In that case the back rack-mount bracket is not needed.

**Step 2** If you are not installing the chassis into a grounded rack, you must attach a customer-supplied grounding wire to the chassis as explained in the [Grounding the Chassis, on page 24](#) section. If you are installing the chassis into a grounded rack, you can skip this step.

**Step 3** Install the slider rails on the rack or cabinet as follows:

- a) Determine which two posts of the rack or cabinet you should use for the slider rails. Of the four vertical posts in the rack or cabinet, two will be used for the front mount brackets attached to the easiest accessed end of the chassis, and the other two posts will have the slider rails.
- b) Position a slider rail at the desired level on the back side of the rack and use 12-24 screws or 10-32 screws, depending on the rack thread type, to attach the rails to the rack (see the following figure). Tighten 12-24 screws to 30 in-lb (3.39 N·m) of torque and tighten 10-32 screws to 20 in-lb (2.26 N·m) of torque.

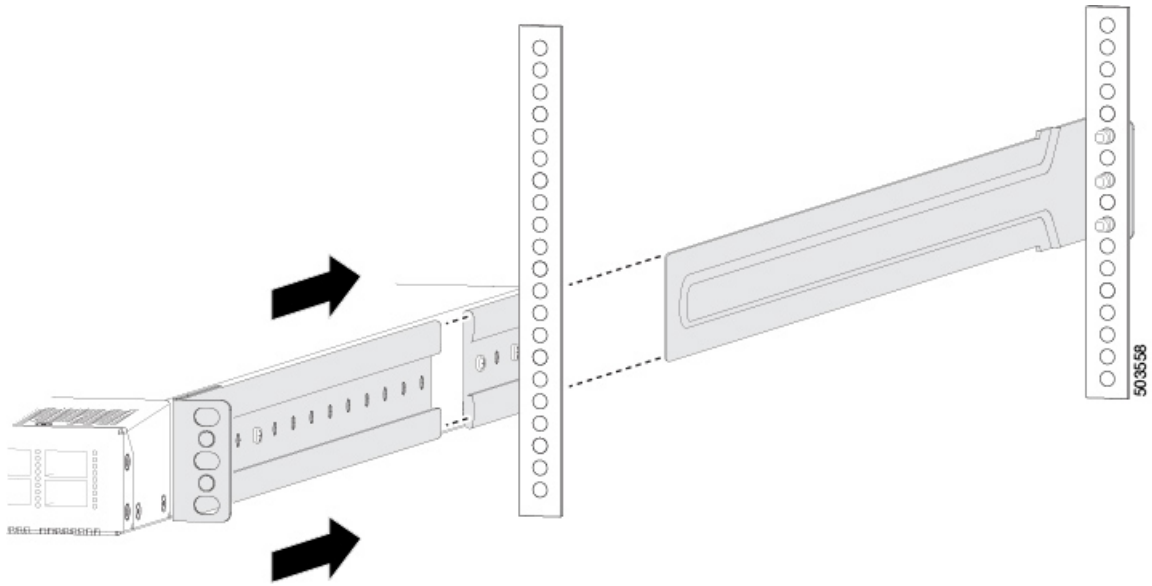


- c) Repeat Step 3 to attach the other slider rail to the other side of the rack.

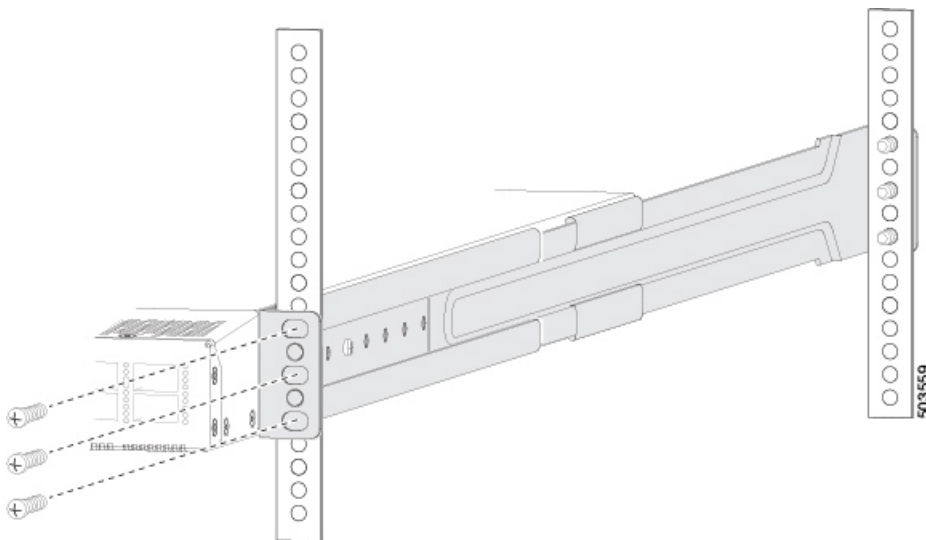
To make sure that the slider rails are at the same level, you should use a level tool, tape measure, or carefully count the screw holes in the vertical mounting rails.

**Step 4** Insert the switch into the rack and attach it as follows:

- a) Holding the switch with both hands, position the two rear rack-mount brackets on the switch between the rack or cabinet posts that do not have slider rails attached to them (see the following figure).



- b) Align the two rear rack-mount guides on either side of the switch with the slider rails installed in the rack. Slide the rack-mount guides onto the slider rails, and then gently slide the switch all the way into the rack until the front rack-mount brackets come in contact with two rack or cabinet posts.
- c) Holding the chassis level, insert screws (12-24 or 10-32, depending on the rack type) in each of the two front rack-mount brackets (using a total of six screws) and into the cage nuts or threaded holes in the vertical rack-mounting rails (see the following figure).



- d) Tighten the 10-32 screws to 20 in-lb (2.26 N·m) or tighten the 12-24 screws to 30 in-lb (3.39 N·m).

**Step 5**

If you attached a grounding wire to the chassis grounding pad, connect the other end of the wire to the facility ground.

# Installing the Switch into a Two-Post Rack Using the NXK-ACC-KIT-1RU Rack-Mount Kit

To install the switch, you must attach front mounting brackets to the switch and secure the switch to the front of the rack. Typically, the front of the rack is the side easiest to access for maintenance.




---

**Note** This is not the preferred rack installation method. This method may not be earthquake safe and will not be NEBS compliant.

---




---

**Note** You must supply the six 10-32 or 12-24 screws required to mount the rails to the rack.

---

## Before you begin

- You have inspected the switch shipment to ensure that you have everything ordered.
- Make sure that the switch rack-mount kit includes the following parts:
  - Front rack-mount brackets (2)
  - Rear rack-mount brackets (2) (not needed for this procedure)
  - Slider rails (2) (not needed for this procedure)
  - M4 x 0.7 x 8-mm Phillips countersink screws (12)
- The rack is installed and secured to its location.

## SUMMARY STEPS

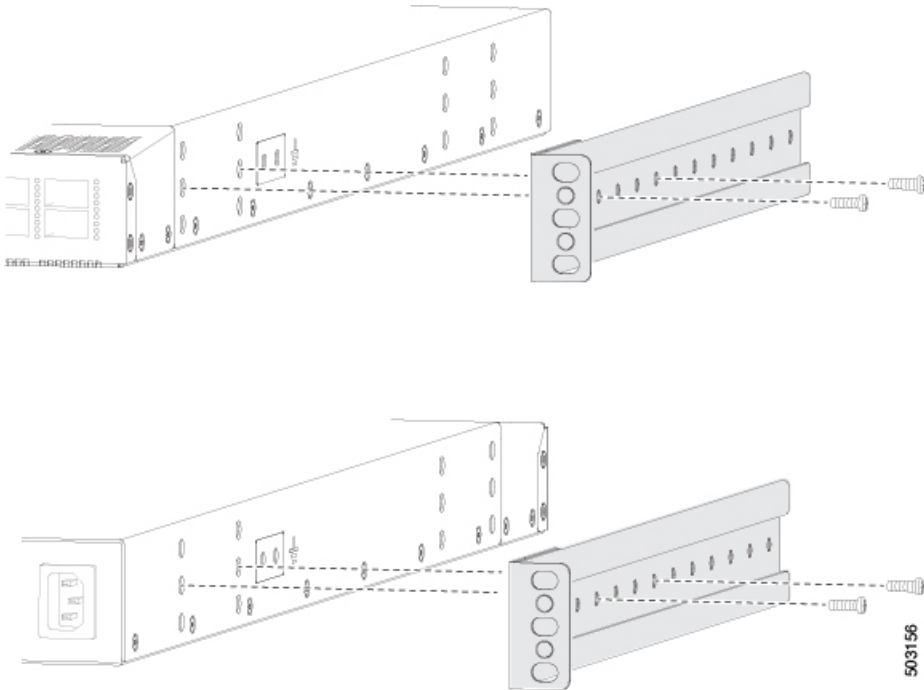
1. Install two front rack-mount brackets to the switch as follows:
2. If you are not installing the chassis into a grounded rack, you must attach a customer-supplied grounding wire to the chassis as explained in the [Grounding the Chassis, on page 24](#) section. If you are installing the chassis into a grounded rack, you can skip this step.
3. Insert the switch into the rack and attach it as follows:
4. If you attached a grounding wire to the chassis grounding pad, connect the other end of the wire to the facility ground.

## DETAILED STEPS

- 
- Step 1** Install two front rack-mount brackets to the switch as follows:
- a) Determine which end of the chassis is to be located in the cold aisle as follows:
    - If the switch has port-side intake modules (fan modules with burgundy coloring), position the switch so that its ports will be in the cold aisle.

- If the switch has port-side exhaust modules (fan modules with blue coloring), position the switch so that its fan and power supply modules will be in the cold aisle.
- b) Position the front rack-mount bracket and the rear rack-mount bracket so that its screw holes are aligned to the screw holes on the side of the chassis.

**Note** You can align the holes in the rack-mount bracket to the holes on the side of the chassis (see the two ways to mount these brackets on a typical chassis, in following figure). The holes that you use depend on the requirements of your rack and the amount of clearance required for interface cables (3 inches [7.6 mm] minimum) and module handles (1 inch [2.5 mm] minimum).



- c) Secure the front-mount bracket to the chassis using four M4 screws and tighten each screw to 12 in-lb (1.36 N·m) of torque.
- d) Repeat Step 1 for the other front rack-mount bracket on the other side of the switch and be sure to position that bracket the same distance from the front of the switch.

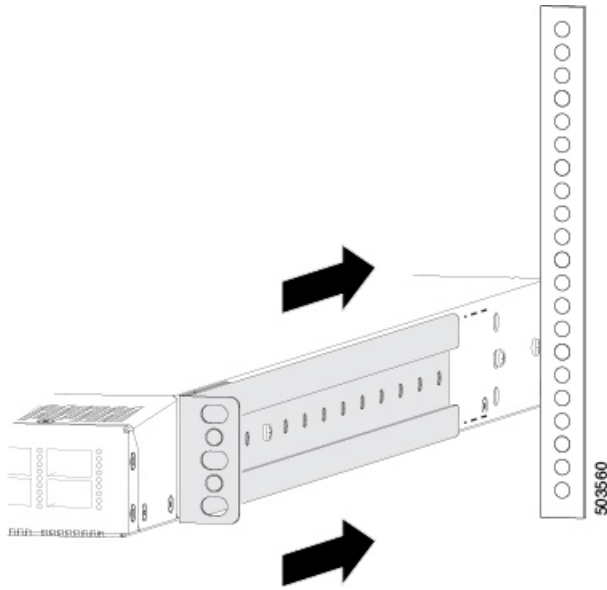
### Step 2

If you are not installing the chassis into a grounded rack, you must attach a customer-supplied grounding wire to the chassis as explained in the [Grounding the Chassis, on page 24](#) section. If you are installing the chassis into a grounded rack, you can skip this step.

### Step 3

Insert the switch into the rack and attach it as follows:

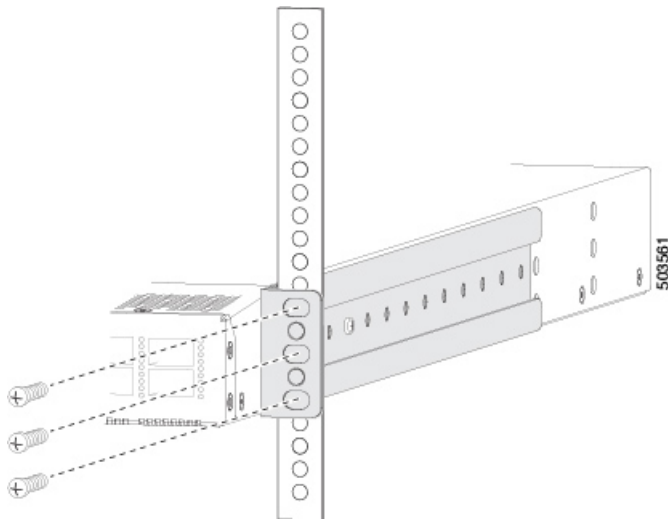
- a) Holding the switch with both hands, position the brackets on the switch between the cabinet posts (see the following figure).



- b) Gently slide the switch all the way into the rack until the front rack-mount brackets come in contact with the cabinet posts.

**Note** If you attached a grounding cable to the chassis, you will need to bend one of the rack-mounts slightly to allow the grounding lug to go behind the rail.

- c) Holding the chassis level, insert screws (12-24 or 10-32, depending on the rack type) in each of the two front rack-mount brackets (using a total of six screws) and into the cage nuts or threaded holes in the vertical rack-mounting rails (see the following figure).



- d) Tighten the 10-32 screws to 20 in-lb (2.26 N·m) or tighten the 12-24 screws to 30 in-lb (3.39 N·m).

#### Step 4

If you attached a grounding wire to the chassis grounding pad, connect the other end of the wire to the facility ground.

## Installing the Airflow Sleeve (N9K-AIRFLOW-SLV)

The airflow sleeve (N9K-AIRFLOW-SLV) is installed to allow proper airflow, so that the switch is properly cooled. This airflow sleeve is only compatible with rack mount kit (N3K-C3064-ACC-KIT).

**Table 2: Airflow Sleeve (N9K-AIRFLOW-SLV) Minimum and Maximum Rack Rail Depth.**

Chassis	Minimum Rack Depth	Maximum Rack Depth
N9K-C92348GC-X	636.49 mm	748.25 mm
N9K-C9316D-GX	824.80 mm	916.60 mm
N9K-C9332C	794.20 mm	898.70 mm
N9K-C9332D-GX2B	824.00 mm	915.80 mm
N9K-C9336C-FX2	802.39 mm	903.98 mm
N9K-C9336C-FX2-E	806.90 mm	898.70 mm
N9K-C9348GC-FXP	672.49 mm	764.29 mm
N9K-C93108TC-FX	781.29 mm	873.09 mm
N9K-C93108TC-FX3P	672.49 mm	769.69 mm
N9K-C93180YC-FX	781.29 mm	873.09 mm
N9K-C93180YC-FX3	672.49 mm	784.25 mm
N9K-C93180YC-FX3S	672.49 mm	784.25 mm
N9K-C93600CD-GX	824.80 mm	916.60 mm



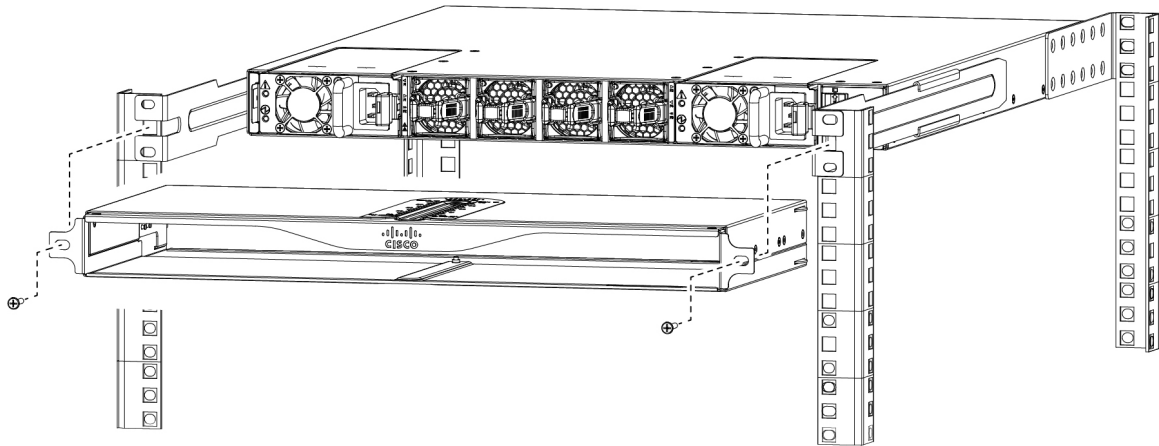
**Note** You supply the screws to mount the airflow sleeve.

### Before you begin

- Verify that your shipment is complete.
- Install your rack in a secure location.

Insert the airflow sleeve into the rack and attach it as follows:

- Holding the airflow sleeve (N9K-AIRFLOW-SLV) with both hands, position it in front of the fan side of the chassis.
- Holding the airflow sleeve level, insert screws (12-24 or 10-32, depending on the rack type) in each of the two front rack-mount flanges (using a total of two screws) and into the cage nuts or threaded holes in the vertical rack-mounting rails (see the following figure).



- c) Tighten the 10-32 screws to 20 in-lb (2.26 N·m) or tighten the 12-24 screws to 30 in-lb (3.39 N·m).

## Grounding the Chassis

The switch chassis is automatically grounded when you properly install the switch in a grounded rack with metal-to-metal connections between the switch and rack.



**Note** An electrical conducting path shall exist between the product chassis and the metal surface of the enclosure or rack in which it is mounted or to a grounding conductor. Electrical continuity shall be provided by using thread-forming type mounting screws that remove any paint or non-conductive coatings and establish a metal-to-metal contact. Any paint or other non-conductive coatings shall be removed on the surfaces between the mounting hardware and the enclosure or rack. The surfaces shall be cleaned and an antioxidant applied before installation.

You can also ground the chassis, which is required if the rack is not grounded, by attaching a customer-supplied grounding cable. Attach the cable to the chassis grounding pad and the facility ground.



**Warning Statement 1024—Ground Conductor**

This equipment must be grounded. To reduce the risk of electric shock, never defeat the ground conductor or operate the equipment in the absence of a suitably installed ground conductor. Contact the appropriate electrical inspection authority or an electrician if you are uncertain that suitable grounding is available.



**Warning Statement 1046—Installing or Replacing the Unit**

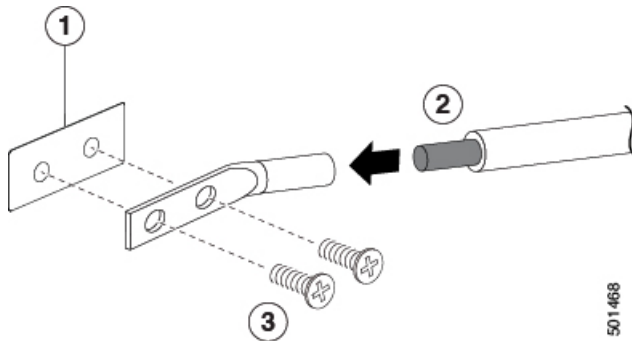
To reduce risk of electric shock, when installing or replacing the unit, the ground connection must always be made first and disconnected last.



**Before you begin**

Before you can ground the chassis, you must have a connection to the earth ground for the data center building.

- Step 1** Use a wire-stripping tool to remove approximately 0.75 inch (19 mm) of the covering from the end of the grounding wire. We recommend 6-AWG wire for the U.S. installations.
- Step 2** Insert the stripped end of the grounding wire into the open end of the grounding lug. Use a crimping tool to crimp the lug to the wire, see the following figure. Verify that the ground wire is securely attached to the grounding lug by attempting to pull the wire out of the crimped lug.



1	Chassis grounding pad	3	2 M4 screws are used to secure the grounding lug to the chassis
2	Grounding cable, with 0.75 in. (19 mm) of insulation that is stripped from one end, which is inserted into the grounding lug and crimped in place		

- Step 3** Secure the grounding lug to the chassis grounding pad with two M4 screws, see the previous figure. Tighten the screws to 11 to 15 in-lb (1.24 to 1.69 N·m) of torque.
- Step 4** Prepare the other end of the grounding wire and connect it to the facility ground.

## Starting the Switch

You start the switch by connecting it to its dedicated power source. If you need  $n+n$  redundancy, you must connect each power supply in a switch to a different power source.



**Note** This equipment is designed to boot up in less than 30 minutes, dependent on its neighboring devices being fully up and running.

**Before you begin**

- The switch must be installed and secured to a rack or cabinet.
- The switch must be adequately grounded.

- The rack must be close enough to the dedicated power source so that you can connect the switch to the power source by using a designated power cables.
- You have the designated power cables for the power supplies that you are connecting to the dedicated power sources.




---

**Note** Depending on the outlet receptacle on your AC power distribution unit, you might need an optional jumper power cord to connect the switch to your outlet receptacle.

---

- The switch is not connected to the network (this includes any management or interface connections).
- The fan and power supply modules are fully secured in their chassis slots.

---

**Step 1** For any AC power supply, do the following:

- Using the recommended AC power cable for your country or region, connect one end to the AC power supply.
- Connect the other end of the power cable to the AC power source.

**Step 2** For any HVAC/HVDC power supply, connect it to a power source as follows:

- Using the recommended high voltage power cable for your country or region, connect the Anderson Power Saf-D-Grid connector on the power cable to the power receptacle on the power supply. Make sure that the connector clicks when fully pushed into the receptacle.
- Connect the other end of the power cable to a power source.
  - When connecting to an HVAC power source, insert the C14 or LS-25 plug in a receptacle for the HVAC power source.
  - When connecting to an HVDC power source, do the following:
    - Verify that the power is turned off at a circuit breaker for the power source terminals.
    - Remove the nuts from each of the terminal posts for the power supply.
    - Place the power cable negative-wire terminal ring on the negative terminal for the power source and secure them with a terminal nut.
    - Place the power cable positive-wire terminal ring on the positive terminal for the power source and secure them with a terminal nut.
    - Place the power cable ground-wire terminal ring on the ground terminal for the power source and secure them with a terminal nut.
    - If there is a safety cover for the power source terminals, place and secure it over the terminals to avoid an electrical shock hazard.
    - Turn on the power at the power source circuit breaker.

**Step 3** For any DC power supply, do the following:

- Turn off the circuit breaker for the power source to avoid an electrical shock hazard.
- Verify that the power cable wires from the power source are connected to a connector block.

- c) Insert the connector block into the receptacle on the power supply. Make sure that the connector block clicks when fully inserted in the receptacle and does not pull out.
- d) If there is a safety cover for the terminals, place and secure it over the terminals to avoid an electrical shock hazard.
- e) Turn on the power at the circuit breaker for the DC power source.

**Step 4** Verify that the power supply LED is on and green.

**Step 5** Listen for the fans; they should begin operating when the power supply is powered.

**Step 6** After the switch boots, verify that the following LEDs are lit:

- On the fan modules, the Status (STA or STS) LED is green.  
If a fan module Status LED is not green, try reinstalling the fan module.
- After initialization, the switch chassis Status (labeled as STA or STS) LED is green.

**Step 7** Verify that the system software has booted and the switch has initialized without error messages.

A setup utility automatically launches the first time that you access the switch and guides you through the basic configuration. For instructions on how to configure the switch and check module connectivity, see the appropriate Cisco Nexus 9000 Series configuration guide.

---





## CHAPTER 4

# Connecting the Switch to the Network

---

- [Overview of Network Connections, on page 29](#)
- [Connecting a Console to the Switch, on page 30](#)
- [Creating the Initial Switch Configuration, on page 31](#)
- [Setting Up the Management Interface, on page 32](#)
- [Connecting Interface Ports to Other Devices, on page 33](#)

## Overview of Network Connections

After you install the switch in a rack and power it up, you are ready to make the following network connections:

- **Console connection**—This is a direct local management connection that you use to initially configure the switch. You must make this connection first to initially configure the switch and determine its IP address, which is needed for the other connections.
- **Management connection**—After you complete the initial configuration using a console, you can make this connection to manage all future switch configurations.
- **Uplink and downlink interface connections**—These are connections to hosts and servers in the network.

Each of these connection types is explained in one of the sections that follow.



---

**Note** When running cables in overhead or subfloor cable trays, we strongly recommend that you locate power cables and other potential noise sources as far away as practical from network cabling that terminates on Cisco equipment. In situations where long parallel cable runs cannot be separated by at least 3.3 feet (1 meter), we recommend that you shield any potential noise sources by housing them in a grounded metallic conduit.

---



---

**Note** When using SFP+ or SFP transceivers in a QSFP+ or QSFP28 uplink port, install a QSFP-to-SFP adapter, such as the CVR-QSFP-SFP10G adapter, in the QSFP port and then install the SFP+ or SFP transceiver. The switch automatically sets the port speed to the speed of the installed transceiver.

---

# Connecting a Console to the Switch

Before you create a network management connection for the switch or connect the switch to the network, you must create a local management connection through a console terminal. And then configure an IP address for the switch. You can use the console to perform the following functions, each of which can be performed through the management interface after you make that connection:

- Configure the switch using the command-line interface (CLI).
- Monitor network statistics and errors.
- Configure Simple Network Management Protocol (SNMP) agent parameters.
- Download software updates.

You make this local management connection between the asynchronous serial port on a supervisor module and a console device capable of asynchronous transmission. Typically, you can use a computer terminal as the console device. On the supervisor modules, you use the console serial port.



---

**Note** Before you can connect the console port to a computer terminal, make sure that the computer terminal supports VT100 terminal emulation. The terminal emulation software makes communication between the switch and computer possible during setup and configuration.

---

## Before you begin

- The switch must be fully installed in its rack, which is connected to a power source, and grounded.
- The necessary cabling for the console, management, and network connections must be available.
  - An RJ-45 rollover cable provided in the switch accessory kit.
  - Network cabling is routed to the location of the installed switch.

---

**Step 1** Configure the console device to match the following default port characteristics:

- 9600 baud
- 8 data bits
- 1 stop bit
- No parity

**Step 2** Connect an RJ-45 rollover cable to the console port on the switch.

You can find this cable in the accessory kit.

**Step 3** Route the RJ-45 rollover cable to the console or modem.

**Step 4** Connect the other end of the RJ-45 rollover cable to the console or to a modem.

---

**What to do next**

You are ready to create the initial switch configuration (see [Creating the Initial Switch Configuration, on page 31](#)).

## Creating the Initial Switch Configuration

You assign an IP address to the switch management interface so that you can then connect the switch to the network.

When you initially power up the switch, it boots up and asks you a series of questions to configure the switch. To connect the switch to the network, you can use the default choices for each configuration except the IP address, which you must provide. You can perform the other configurations later as described in the *Cisco Nexus 9000 Series NX-OS Fundamentals Configuration Guide*.



---

**Note** Know the unique name that is needed to identify the switch among the devices in the network.

---

**Before you begin**

- A console device must be connected with the switch.
- The switch must be connected to a power source.
- Determine the IP address and the netmask that is needed for the Management (Mgmt0) interface.

---

**Step 1** Power up the switch by connecting each installed power supply to an AC circuit.

If you are using the input-source ( $n+n$ ) power mode, connect half of the power supplies to one AC circuit. And connect the other half of the power supplies to another AC circuit.

The Input and Output LEDs on each power supply light up (green) when the power supply units are sending power to the switch, and the software asks you to specify a password to use with the switch.

**Step 2** Enter a new password to use for this switch.

The software checks the security strength of your password and rejects your password if it is not considered to be a strong password. To increase the security strength of your password, make sure that it adheres to the following guidelines:

- At least eight characters
- Minimizes or avoids the use of consecutive characters (such as "abcd").
- Minimizes or avoids repeating characters (such as "aaabbb").
- Does not contain recognizable words from the dictionary.
- Does not contain proper names.
- Contains both uppercase and lowercase characters
- Contains numbers and letters

**Note** Clear text passwords cannot include the dollar sign (\$) special character.

**Tip** If a password is trivial (such as a short, easy-to-decipher password), the software will reject your password configuration. Be sure to configure a strong password as explained in this step. Passwords are case-sensitive.

If you enter a strong password, the software asks you to confirm the password.

**Step 3** Enter the same password again.

If you enter the same password, the software accepts the password and begins asking a series of configuration questions.

**Step 4** Until you are asked for an IP address, you can enter the default configuration for each question.

Repeat this step for each question until you are asked for the Mgmt0 IPv4 address.

**Step 5** Enter the IP address for the management interface.

The software asks for the Mgmt0 IPv4 netmask.

**Step 6** Enter a network mask for the management interface.

The software asks if you need to edit the configuration.

**Step 7** Enter **no** not to edit the configuration.

The software asks if you need to save the configuration.

**Step 8** Enter **yes** to save the configuration.

---

### What to do next

You can now set up the management interface for each supervisor module on the switch.

## Setting Up the Management Interface

The RJ-45 and/or SFP management ports provide out-of-band management, which enables you to use the command-line interface (CLI) to manage the switch by its IP address. You can use one of these ports depending on the cable and connectors that you are using to connect the management interface to the network.

### Before you begin

- The switch must be powered on.
- The switch must be initially configured using a console.

---

**Step 1** Connect the management cable into the management port on the switch. For shorter connections, you can use a cable with RJ-45 connectors. For longer connections, you can use an optical cable with SFP transceivers (LH or SX type).

**Note** Use only one of these management ports—the switch does not support the use of both management ports.



**Step 2** Connect the other end of the cable to a 10/100/1000 or SFP port on a network device.

---

## Connecting Interface Ports to Other Devices

After you perform the initial configuration for the switch and create a management connection, you are ready to connect the interface ports on the switch to other devices. Depending on the types of interface ports on the switch, you will need to use interface cables with QSFP28, QSFP+, SFP+, SFP transceivers, or RJ-45 connectors to connect the switch to other devices.



---

**Note** If you need to use SFP+ or SFP transceivers in a QSFP+ or QSFP28 uplink port, install a QSFP-to-SFP adapter, such as the CVR-QSFP-SFP10G adapter, in the QSFP port and then install the SFP+ or SFP transceiver. The switch automatically sets the port speed to the speed of the installed transceiver.

---

If the transceivers that you are using can be separated from their optical cables, install the transceivers without their cables before inserting the cables into the transceivers. This helps to prolong the life of both the transceiver and cables. When removing transceivers from the switch, it is best to remove the optical cable first and then remove the transceiver.

To determine which transceivers, adapters, and cables are supported by this switch, see the [Cisco Transceiver Modules Compatibility](#) Information document.





## CHAPTER 5

# Replacing Components

---

- [Replacing a Fan Module, on page 35](#)
- [Replacing a Power Supply Module, on page 36](#)

## Replacing a Fan Module

You can replace a fan module while the switch is operating so long as you perform the replacement within one minute. If you cannot perform the replacement within one minute, leave the original fan module in the chassis to maintain the designed airflow until you have the replacement fan module on hand and can perform the replacement.



---

**Caution** If you are replacing a module during operations, be sure that the replacement fan module has the correct direction of airflow, which means that it has the same airflow direction as the other modules in the chassis. Also, be sure that the airflow direction takes in air from a cold aisle and exhausts to a hot aisle. Otherwise, the switch can overheat and shutdown.

If you are changing the airflow direction of all the modules in the chassis, you must shutdown the switch before replacing all the fan and power supply modules with modules using the other airflow direction. During operations, all of the modules must have the same direction of airflow.

---

## Removing a Fan Module



---

**Caution** The fans might still be turning when you remove the fan assembly from the chassis. Keep fingers, screwdrivers, and other objects away from the openings in the fan assembly's housing.

---

---

On the fan module that you are removing, press the two sides of the fan module handle together, and pull on the handles enough to unseat it from its connectors.

---

## Installing a Fan Module

### Before you begin

- A fan slot must be open and ready for the new fan module to be installed.
- You must have a new fan module on hand and ready to install within one minute of removing the original fan module if the switch is operating.
- The new fan module must have the same airflow direction as the other fan and power supply modules installed in the switch.

- 
- Step 1** Holding the fan module by its handle, align the back of the fan module (the side with the electrical connectors) to the open fan slot in the chassis.
- Step 2** Slide the fan module into the slot until it clicks in place.
- Step 3** Verify that the Status (STS) LED turns on and becomes green.
- 

## Replacing a Power Supply Module

The switch requires two power supplies for redundancy. With one power supply providing the necessary power for operations, you can replace the other power supply during operations so long as the new power supply has the same airflow direction as the other modules in the chassis.

You can replace a power supply with another supported power supply that has the same power source type as the other installed power supply. Additionally, the airflow direction of the power supply must match or conform to the airflow direction of the installed fan modules. For the airflow direction used by the switch, see the coloring of the fan modules.

## Removing an AC Power Supply

To remove an AC power supply, you must first disconnect the power cable and then remove the module from the chassis.

### Before you begin

- To replace a power supply during operations, you must have a functioning power supply providing power to the switch while you replace the other power supply. If there is only one power supply installed in the switch and you need to replace it, install the new power supply in the open slot and power it up before removing the original power supply.
- Ensure that the chassis is grounded. For grounding instructions, see [Grounding the Chassis, on page 24](#).

- 
- Step 1** Pull the power cord out from the power receptacle on the power supply to be removed and verify that the LED turns off.
- Note** The LED might be on and amber colored to indicate that the input power has been disconnected.

- Step 2** Remove the power supply from the chassis by pushing and holding its thumb latch to the left and pulling the power supply part way out of the chassis.
- Step 3** Place your other hand under the power supply to support it while you slide it out of the chassis. Either place the power supply on an antistatic surface or pack it in its packing materials.

---

**What to do next**

You are ready to install the replacement power supply.

## Removing a DC Power Supply

You can remove one power supply while the other one provides power to the switch.

To disconnect the power supply from its power cables, you must shut off the power from the power source and then disconnect the connector for the power cables.

- 
- Step 1** Turn off the circuit breaker for the power feed to the power supply that you are replacing. Be sure that the LEDs turn off on the power supply that you are removing.
- Step 2** Remove the power cable from the power supply by doing the following:
- Step 3** Grasp the power supply handle while pressing the release latch towards the power supply handle.
- Step 4** Pull the power supply out of the bay.

---

**What to do next**

You are ready to install a DC power supply in the open slot.

## Installing an AC Power Supply

You can replace one power supply while the other one provides power to the switch.

**Before you begin**

- The power supply that you are installing must be capable of using the same airflow direction as the fan trays installed in the same switch and it must use the same type of power source as the other power supply installed in the same switch (do not mix AC and DC power supplies in the same switch).



---

**Note** If the power supply that you are replacing has a different color handle than the replacement power supply, verify that it has or will have the same airflow direction as the other modules in the switch.

---

- An AC power source must be within reach of the power cable that will be used with the replacement power supply. If you are using  $n+n$  power redundancy, there must be a separate power source for each power supply installed in the chassis. Otherwise, only one power source is required.
- There must be an earth ground connection to the chassis that you are installing the replacement module. Typically, the chassis is grounded by its metal-to-metal connection with a grounded rack. If you need to ground the chassis, see [Grounding the Chassis, on page 24](#).

---

**Step 1** Holding the replacement power supply with one hand underneath the module and the other hand holding the handle, turn the power supply so that its release latch is on the side and align the back end of the power supply (the end with the electrical connections) to the open power supply slot before carefully sliding the power supply all the way into the slot until it clicks into place.

**Note** If the power supply does not fit into the open slot, turn the module over before sliding it carefully into the open slot.

**Step 2** Test the installation by trying to pull the power supply out of the slot without using the release latch.

If the power supply does not move out of place, it is secured in the slot. If the power supply moves, carefully press it all the way into the slot until it clicks in place.

**Step 3** Attach the power cable to the electrical inlet on the front of the power supply.

**Step 4** Make sure that the other end of the power cable is attached to the appropriate power source for the power supply.

**Note** Depending on the outlet receptacle on your power distribution unit, you might need the optional jumper cable to connect the switch to your outlet receptacle.

**Step 5** Verify that the power supply is operational by making sure that the power supply LED is green.

---

## Installing a DC Power Supply

You can replace one power supply while the other one provides power to the switch.

### Before you begin

- The circuit breaker for the DC power source for the power supply must be turned off.
- The power supply that you are installing must be capable of using the same airflow direction as the fan trays installed in the same switch
- A DC power source must be within reach of the power cable that will be used with the replacement power supply. If you are using  $n+n$  power redundancy, there must be a separate power source for each power supply installed in the chassis (do not mix AC and DC power sources for the same switch). Otherwise, only one power source is required.
- There must be an earth ground connection to the chassis that you are installing the replacement module. Typically, the chassis is grounded by its metal-to-metal connection to a grounded rack. If you need to ground this chassis by another means, see [Grounding the Chassis, on page 24](#).
- We recommend 8-AWG wire for DC installation in the U.S.

- All DC power supplies have reverse polarity protection. When you inadvertently connect the input power (+) to the DC PSU's – terminal and the input power – to the DC PSU's (+) terminal, the PSU will not be damaged and will operate fine after the input power feeds are correctly wired.

---

**Step 1** Holding the replacement power supply with one hand underneath the module and the other hand holding the handle, turn the power supply so that its release latch is on the side and align the back end of the power supply (the end with the electrical connections) to the open power supply slot before carefully sliding the power supply all the way into the slot until it clicks into place.

**Note** If the power supply does not fit into the open slot, turn the module over before carefully sliding it into the open slot.

**Step 2** If the DC power cables and a grounding cable are already connected to an electrical connector block, insert the block into the power receptacle on the power supply.

**Step 3** Turn on the circuit breaker for the DC power source connected to the power supply.

**Step 4** Verify that the power supply is operational by making sure that the power supply LED is green.

---







## APPENDIX **A**

# Rack Specifications

---

- [Overview of Racks, on page 41](#)
- [General Requirements for Cabinets and Racks, on page 41](#)
- [Requirements Specific to Standard Open Racks, on page 42](#)
- [Requirements Specific to Perforated Cabinets, on page 42](#)
- [Cable Management Guidelines, on page 42](#)

## Overview of Racks

You can install the switch in the following types of cabinets and racks, assuming an external ambient air temperature range of 0 to 104°F (0 to 40°C):

- Standard perforated cabinets
- Solid-walled cabinets with a roof fan tray (bottom to top cooling)
- Standard open racks



---

**Note** If you are selecting an enclosed cabinet, we recommend one of the thermally validated types, either standard perforated or solid-walled with a fan tray.

---



---

**Note** We do not recommend that you use racks that have obstructions (such as power strips), because the obstructions could impair access to field-replaceable units (FRUs).

---

## General Requirements for Cabinets and Racks

The cabinet or rack must also meet the following requirements:

- Standard 19-inch (48.3 cm) (two- or four-post EIA cabinet or rack, with mounting rails that conform to English universal hole spacing per section 1 of ANSI/EIA-310-D-1992). For more information, see [Requirements Specific to Perforated Cabinets, on page 42](#).

- The minimum vertical rack space requirement per chassis is:
  - For a one RU (rack unit) switch, 1.75 inches (4.4 cm)
  - For a one and a half RU (rack unit) switch, 2.63 (6.68 cm)
  - For a two RU (rack unit) switch, 3.5 inches (8.8 cm)
  - For a three RU (rack unit) switch, 5.25 inches (13.3 cm)
- The width between the rack-mounting rails must be at least 17.75 inches (45.0 cm) if the rear of the device is not attached to the rack. For four-post EIA racks, this measurement is the distance between the two front rails.

Four-post EIA cabinets (perforated or solid-walled) must meet the following requirements:

- The minimum spacing for the bend radius for fiber-optic cables should have the front-mounting rails of the cabinet offset from the front door by a minimum of 3 inches (7.6 cm).
- The distance between the outside face of the front mounting rail and the outside face of the back mounting rail should be 23.0 to 30.0 inches (58.4 to 76.2 cm) to allow for rear-bracket installation.

## Requirements Specific to Standard Open Racks

If you are mounting the chassis in an open rack (no side panels or doors), ensure that the rack meets the following requirements:

- The minimum vertical rack space per chassis must be equal to the rack unit (RU) of the chassis. One rack unit is equal to 1.75 inches (4.4 cm).
- The distance between the chassis air vents and any walls should be 2.5 inches (6.4 cm).

## Requirements Specific to Perforated Cabinets

A perforated cabinet has perforations in its front and rear doors and side walls. Perforated cabinets must meet the following requirements:

- The front and rear doors must have at least a 60 percent open area perforation pattern, with at least 15 square inches (96.8 square cm) of open area per rack unit of door height.
- The roof should be perforated with at least a 20 percent open area.
- The cabinet floor should be open or perforated to enhance cooling.

The Cisco R Series rack conforms to these requirements.

## Cable Management Guidelines

To help with cable management, you might want to allow additional space in the rack above and below the chassis to make it easier to route all of the fiber optic or copper cables through the rack.



# APPENDIX **B**

## System Specifications

- [Environmental Specifications, on page 43](#)
- [Switch Dimensions, on page 43](#)
- [Switch and Module Weights and Quantities, on page 44](#)
- [Transceiver and Cable Specifications, on page 44](#)
- [Switch Power Input Requirements, on page 44](#)
- [Power Specifications, on page 45](#)
- [Power Cable Specifications, on page 46](#)
- [Regulatory Standards Compliance Specifications, on page 49](#)

## Environmental Specifications

Environment		Specification
Temperature	Ambient operating temperature	32 to 131°F (0 to 55°C)
	Ambient nonoperating	−40 to 158°F (−40 to 70°C)
Relative humidity	Nonoperating	5 to 85%
Altitude	Operating	0 to 6562 feet (0 to 2,000 meters)

## Switch Dimensions

Switch	Width	Depth	Height
Cisco Nexus 93108TC-FX3P	17.2 inches (43.68 cm)	Without fans or PSUs - 18 inches (45.73 cm) With fans - 19.4 inches (49.28 cm) With PSUs - 21.1 inches (53.47 cm)	1.72 inches (4.37 cm) (1 RU)

## Switch and Module Weights and Quantities

Component	Weight per Unit	Quantity
Cisco Nexus 93108TC-FX3P Chassis (N9K-C93108TC-FX3P)	Without fans or PSUs - 16 lb (7.26 kg) With fans and PSUs - 23 lb (10.43 kg)	1
Fan Module	—	4
– Port-side exhaust (blue) (NXA-FAN-35CFM-PE)	0.26 lb (0.12 kg)	
– Port-side intake (burgundy) (NXA-FAN-35CFM-PI)		
Power Supplies	—	2 (1 for operations and 1 for redundancy)
– 715-W DC port-side intake (burgundy) (NXA-PDC-715W-PI)	3 lb (1.36 kg)	
– 1100-W AC port-side exhaust (blue) (NXA-PAC-1100W-PE)	3 lb (1.36 kg)	
– 1100-W AC port-side intake (burgundy) (NXA-PAC-1100W-PI)	3 lb (1.36 kg)	
– 1900-W AC port-side intake (burgundy) (NXA-PAC-1900W-PI)	3.6 lb (1.63 kg)	

## Transceiver and Cable Specifications

To see the transceiver specifications and installation information, see <https://www.cisco.com/c/en/us/support/interfaces-modules/transceiver-modules/products-device-support-tables-list.html>.

## Switch Power Input Requirements

The following table lists the typical amount of power that the switch consumes. It also lists the maximum amount of power that you must provision for the switch and power supply for peak conditions.



**Note** Some power supplies have capabilities that are greater than the maximum power requirements for a switch. To determine the power consumption characteristics for the switch, use the typical and maximum requirements that are listed in the following table.

Switch	Typical Power Consumption (AC or DC)	Maximum Power Consumption (AC or DC)	Heat Dissipation Requirement
Cisco Nexus 93108TC-FX3P	500 W	600 W	2047.285 BTUs per hour

# Power Specifications

Power specifications include the specifications for each type of power supply module.

## 715-W DC Power Supply Specifications

Property	Specification
Power	715 W
DC Range	-51V to 57V
Input current	5 A at 240 Vdc and 50 Hz
Frequency	40 to 100 Hz
Efficiency	83% to 89% (20% to 50% load)
Redundancy Modes	Combined, $n+1$ , and $n+n$
RoHS Compliance	Yes
Form factor	RSP1

## 1100-W AC Power Supply Specifications

These specifications apply to all versions of the NXA-PAC-1100W power supply

Characteristic	Specification
AC input voltage	Nominal range: 100 and 240 VAC (Range: 90-132 VAC, 180-264 VAC)
AC input frequency	Nominal range: 50 to 60 Hz (Range: 47-63 Hz)
Maximum AC input current	13 A at 100 VAC 6 A at 240 VAC
Maximum input volt-amperes	1300 VA at 100 VAC
Maximum output power per power supply	1100 W
Maximum inrush current	33 A
Maximum hold-up time	12 ms at 1100 W
Power supply output voltage	12 VDC
Power supply standby voltage	12 VDC
Efficiency rating	Climate Savers Platinum Efficiency (80Plus Platinum certified)

Characteristic	Specification
Form factor	RSP1

## 1900-W AC Power Supply Specifications

These specifications apply to all versions of the NXA-PAC-1900W power supply

Property	Specification
Power	1900 W
Input Voltage	115 VAC - 120 VAC, 200 VAC - 240 VAC
Input Frequency	Nominal range: 50 to 60 Hz (Range: 47-63 Hz)
Maximum input current	16 A at 115 - 120 VAC
	12 A at 200 - 240 VAC
Maximum input volt-amperes	2,400 VA at 200 VAC
Maximum output power per power supply	1900 W
Maximum inrush current	48 A
Maximum hold-up time / ride-through	20ms at 1900 W
Power supply output voltage	(-) 56VDC
Efficiency rating	Climate Savers Platinum Efficiency (80Plus Platinum certified)

## Power Cable Specifications

The following sections specify the power cables that you can order and use with this switch.

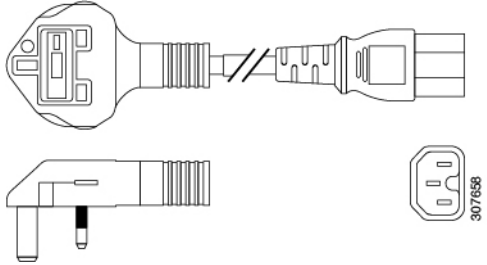
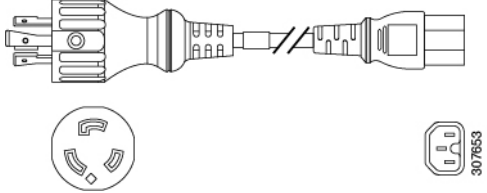
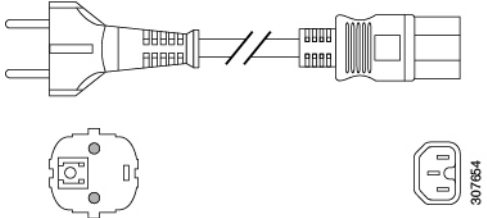
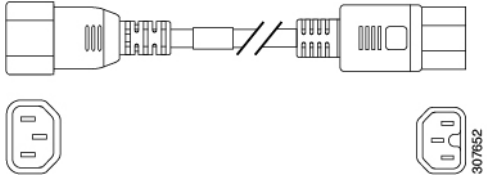

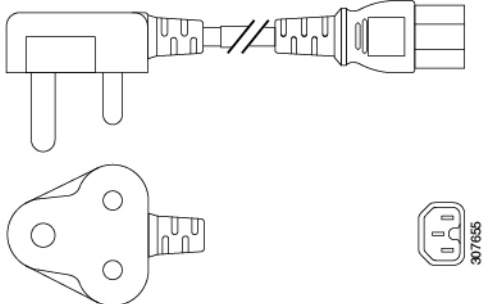
### Power Cable Specifications for AC Power Supplies

Power Type	Power Cord Part Number	Cord Set Description
	CAB-C13-C14-2M	Power Cord Jumper, C13-C14 Connectors, 6.6 feet (2.0 m)
	CAB-C13-CBN	Cabinet jumper power cord, 250 VAC, 10 A, C14-C13 connectors, 2.3 feet (0.7 m)
Argentina	CAB-250V-10A-AR	250 V, 10 A, 8.2 feet (2.5 m)
Australia	CAB-9K10A-AU	250 VAC, 10 A, 3112 plug, 8.2 feet (2.5 m)

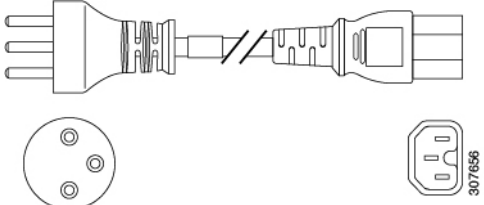
Power Type	Power Cord Part Number	Cord Set Description
Brazil	CAB-250V-10A-BR	250 V, 10 A, 6.9 feet (2.1 m)
European Union	CAB-9K10A-EU	250 VAC, 10 A, CEE 7/7 plug, 8.2 feet (2.5 m)
India	CAB-IND-10A	10 A, 8.2 feet (2.5 m)
India	CAB-C13-C14-2M-IN	Power Cord Jumper, C13-C14 Connectors, 6.6 feet (2.0 m)
India	CAB-C13-C14-3M-IN	Power Cord Jumper, C13-C14 Connectors, 9.8 feet (3.0 m)
Israel	CAB-250V-10A-IS	250 V, 10 A, 8.2 feet (2.5 m)
Italy	CAB-9K10A-IT	250 VAC, 10 A, CEI 23-16/VII plug, 8.2 feet (2.5 m)
Japan	CAB-C13-C14-2M-JP	Power Cord Jumper, C13-C14 Connectors, 6.6 feet (2.0 m)
North America	CAB-9K12A-NA	125 VAC, 13 A, NEMA 5-15 plug, 8.2 feet (2.5 m)
North America	CAB-AC-L620-C13	NEMA L6-20-C13, 6.6 feet (2.0 m)
North America	CAB-N5K6A-NA	200/240V, 6A, 8.2 feet (2.5 m)
Peoples Republic of China	CAB-250V-10A-CN	250 V, 10 A, 8.2 feet (2.5 m)
South Africa	CAB-250V-10A-ID	250 V, 10 A, 8.2 feet (2.5 m)
Switzerland	CAB-9K10A-SW	250 VAC, 10 A, MP232 plug, 8.2 feet (2.5 m)
United Kingdom	CAB-9K10A-UK	250 VAC, 10 A, BS1363 plug (13 A fuse), 8.2 (2.5 m)
All except Argentina, Brazil, and Japan	NO-POWER-CORD	No power cord included with switch

## Power Cables for NXA-PAC-1100W Power Supplies

Cable	Description	Illustration
CAB-TA-NA	North America AC Type A Power Cable	

Cable	Description	Illustration
CAB-TA-UK	United Kingdom AC Type A Power Cable	
CAB-TA-250V-JP	Japan 250V AC Type A Power Cable	
CAB-TA-EU	Europe AC Type A Power Cable	
CAB-C15-CBN	Cabinet Jumper Power Cord, 250 VAC 13A, C14-C15 Connectors	
CAB-ACBZ-12A	AC Power Cord (Brazil) 12A/125V BR-3-20 plug up to 12A	
CAB-TA-IN	India AC Type A Power Cable	



Cable	Description	Illustration
CAB-TA-IS	Israel AC Type A Power Cable	

## DC Power Cable Specifications

No DC power cable is shipped with this switch.

## Regulatory Standards Compliance Specifications

The following table lists the regulatory standards compliance for the switch.

**Table 3: Regulatory Standards Compliance: Safety and EMC**

Specification	Description
Regulatory compliance	Products should comply with CE Markings according to directives 2004/108/EC and 2006/95/EC.
Safety	<ul style="list-style-type: none"> <li>• CAN/CSA-C22.2 No. 60950-1 Second Edition</li> <li>• CAN/CSA-C22.2 No. 62368-1-19 Third Edition</li> <li>• NRTL 60950-1 Second Edition</li> <li>• IEC 62368-1</li> <li>• EN 62368-1</li> <li>• AS/NZS 62368-1</li> <li>• GB4943</li> <li>• UL 62368-1</li> </ul>

Specification	Description
EMC: Emissions	<ul style="list-style-type: none"><li>• 47CFR Part 15 (CFR 47) Class A</li><li>• AS/NZS CISPR22 Class A</li><li>• CISPR22 Class A</li><li>• EN55022 Class A</li><li>• ICES003 Class A</li><li>• VCCI Class A</li><li>• EN61000-3-2</li><li>• EN61000-3-3</li><li>• KN22 Class A</li><li>• CNS13438 Class A</li></ul>
EMC: Immunity	<ul style="list-style-type: none"><li>• EN55024</li><li>• CISPR24</li><li>• EN300386</li><li>• KN 61000-4 series</li></ul>
RoHS	The product is RoH-6 compliant with exceptions for leaded-ball grid-array (BGA) balls and lead press-fit connectors.



# APPENDIX C

## LEDs

- [Switch Chassis LEDs, on page 51](#)
- [Fan Module LEDs, on page 52](#)
- [Power Supply LEDs, on page 52](#)

### Switch Chassis LEDs

The BCN, STS, and ENV, LEDs are located on the left side of the front of the switch. The port LEDs appear as triangles pointing up or down to the nearest port.

LED	Color	Status
BCN	Flashing blue	The operator has activated this LED to identify this switch in the chassis.
	Off	This switch is not being identified.
STS	Green	The switch is operational.
	Flashing amber	The switch is booting up.
	Amber	Temperature exceeds the minor alarm threshold.
	Red	Temperature exceeds the major alarm threshold.
	Off	The switch is not receiving power.
ENV	Green	Fans and power supply modules are operational.
	Amber	At least one fan or power supply module is not operating.
(port)	Green	Port admin state is 'Enabled', SFP is present and the interface is connected (that is, cabled, and the link is up).
	Amber	Port admin state is 'Disabled, or the SFP is absent, or both.
	Off	Port admin state is 'Enabled' and SFP is present, but interface is not connected.

## Fan Module LEDs

The fan module LED is located below the air holes on the front of the module.

LED	Color	Status
STS	Green	The fan module is operational.
	Red	The fan module is not operational (fan is probably not functional).
	Off	Fan module is not receiving power.

## Power Supply LEDs

The power supply LEDs are located on the left right portion of the power supply. Combinations of states indicated by the Okay and Fault LEDs indicate the status for the module as shown in the following table.

OK LED	FAIL or FAIL/ID LED	Status
Green	Off	Power supply is on and outputting power to the switch.
Flashing green	Off	Power supply is connected to an AC power source but not outputting power to the switch. The power supply may not be properly installed in the chassis.
Off	Off	Either all the installed power supplies are not receiving power or an uninstalled power supply is not receiving power.
Off	Flashing amber	Power supply is operating but a warning condition has occurred—possibly one of the following conditions: <ul style="list-style-type: none"> <li>• High temperature</li> <li>• High power</li> <li>• Slow power supply fan</li> <li>• Low voltage</li> <li>• Power supply is installed in the chassis but was disconnected from the power source.</li> </ul>
Off	Flashing amber (10 seconds) then amber	Power supply is installed without a connection to a power source.

<b>OK LED</b>	<b>FAIL or FAIL/ID LED</b>	<b>Status</b>
Off	Amber	Power supply failure—possibly one of the following conditions: <ul style="list-style-type: none"><li>• Over voltage</li><li>• Over current</li><li>• Over temperature</li><li>• Power supply fan failure</li></ul>





# APPENDIX D

## Additional Kits

- [Rack Mount Kit NXK-ACC-KIT-1RU](#), on page 55
- [Airflow Sleeve](#), on page 56

### Rack Mount Kit NXK-ACC-KIT-1RU

The following table lists and illustrates the contents for the 1-RU rack-mount kit (NXK-ACC-KIT-1RU).

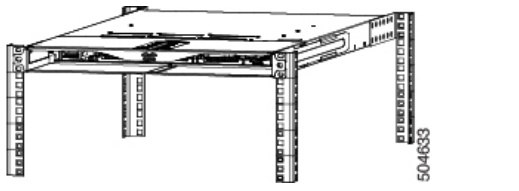
Illustration	Description	Quantity
	Rack-mount kit <ul style="list-style-type: none"> <li>• Front brackets (2)</li> <li>• Rear brackets (2)</li> <li>• Slider rails (2)</li> <li>• M4 Phillips pan-head screws (10)</li> </ul>	1
	Ground lug kit <ul style="list-style-type: none"> <li>• Two-hole lug (1)</li> <li>• M4 x 8-mm Phillips pan-head screws (2)</li> </ul>	1
Not applicable	EAC Compliance document	1
Not applicable	Hazardous substances list for customers in China	1

The following table lists and illustrates the console cable (CAB-CONSOLE-RJ45) that can be ordered.

Illustration	Description	Quantity
	Console cable with DB-9F and RJ-45F connectors	1

# Airflow Sleeve

The following table lists and illustrates the airflow sleeve (N9K-AIRFLOW-SLV).

Illustration	Description	Quantity
	Airflow sleeve	1