



## Configuring FCIP

Cisco MDS 9000 Family IP storage (IPS) services extend the reach of Fibre Channel SANs by using open-standard, IP-based technology. The switch can connect separated SAN islands using Fibre Channel over IP (FCIP).



**Note**

FCIP is supported on the MDS 9222i switch, MSM-18/4 module, MDS 9216i switch, MPS-14/2 module, 16-Port Storage Services Node (SSN-16), and IPS modules on MDS 9200 Series directors.

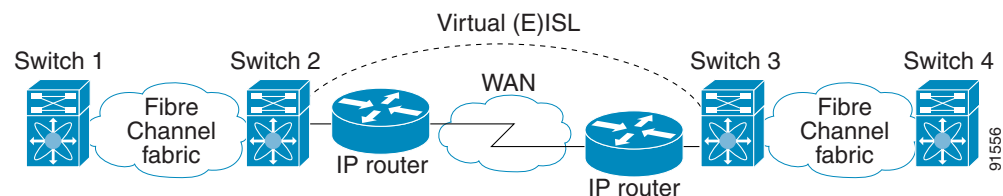
This chapter includes the following topics:

- [Information About FCIP section, page 38-1](#)
- [Default Settings section, page 38-19](#)
- [Configuring FCIP section, page 38-20](#)
- [Verifying FCIP Configuration section, page 38-36](#)
- [Field Descriptions for FCIP section, page 38-44](#)
- [Additional References section, page 38-49](#)
- [Feature History for FCIP section, page 38-50](#)

## Information About FCIP

The Fibre Channel over IP Protocol (FCIP) is a tunneling protocol that connects geographically distributed Fibre Channel storage area networks (SAN islands) transparently over IP local area networks (LANs), metropolitan area networks (MANs), and wide area networks (WANs). The switch can connect separated SAN islands using Fibre Channel over IP (FCIP) (see [Figure 38-1](#)).

**Figure 38-1** Fibre Channel SANs Connected by FCIP



FCIP uses TCP as a network layer transport. The DF bit is set in the TCP header.

**Note**

For more information about FCIP protocols, refer to the IETF standards for IP storage at <http://www.ietf.org>. Also refer to Fibre Channel standards for switch backbone connection at <http://www.t11.org> (see FC-BB-2).

This section includes the following topics:

- [FCIP Concepts section, page 38-2](#)
- [FCIP High-Availability Solutions section, page 38-5](#)
- [Ethernet PortChannels and Fibre Channel PortChannels section, page 38-8](#)
- [FCIP Profile Configuration section, page 38-8](#)
- [Peers section, page 38-9](#)
- [Quality of Service section, page 38-11](#)
- [E Ports section, page 38-11](#)
- [FCIP Write Acceleration section, page 38-12](#)
- [FCIP Tape Acceleration section, page 38-14](#)
- [FCIP Compression section, page 38-18](#)

## FCIP Concepts

To configure IPS modules or MPS-14/2 modules for FCIP, you should have a basic understanding of the following concepts:

- [FCIP and VE Ports section, page 38-2](#)
- [FCIP Links section, page 38-3](#)
- [FCIP Profiles section, page 38-46](#)
- [FCIP Interfaces section, page 38-5](#)

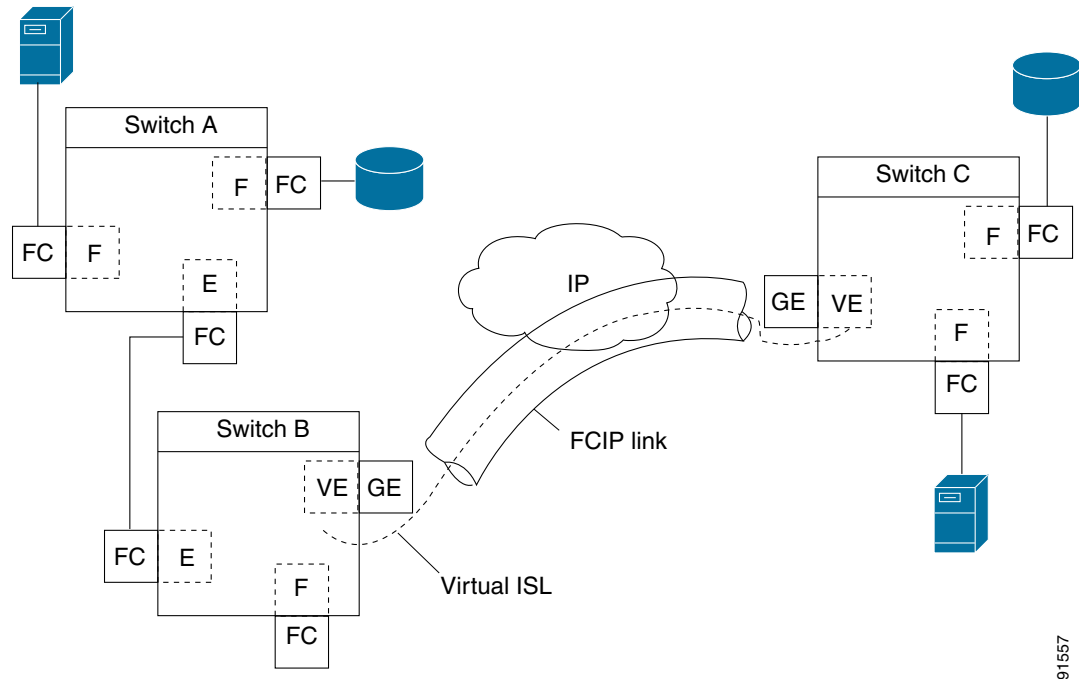
## FCIP and VE Ports

[Figure 38-2](#) describes the internal model of FCIP with respect to Fibre Channel Inter-Switch Links (ISLs) and Cisco's extended ISLs (EISLs).

FCIP virtual E (VE) ports behave exactly like standard Fibre Channel E ports, except that the transport in this case is FCIP instead of Fibre Channel. The only requirement is for the other end of the VE port to be another VE port.

A virtual ISL is established over an FCIP link and transports Fibre Channel traffic. Each associated virtual ISL looks like a Fibre Channel ISL with either an E port or a TE port at each end (see [Figure 38-2](#)).

Figure 38-2 FCIP Links and Virtual ISLs



91557

See the “Configuring B Ports” section on page 38-33 for more information.

## FCIP Links

FCIP links consist of one or more TCP connections between two FCIP link endpoints. Each link carries encapsulated Fibre Channel frames.

When the FCIP link comes up, the VE ports at both ends of the FCIP link create a virtual Fibre Channel (E)ISL and initiate the E port protocol to bring up the (E)ISL.

By default, the FCIP feature on any Cisco MDS 9000 Family switch creates two TCP connections for each FCIP link:

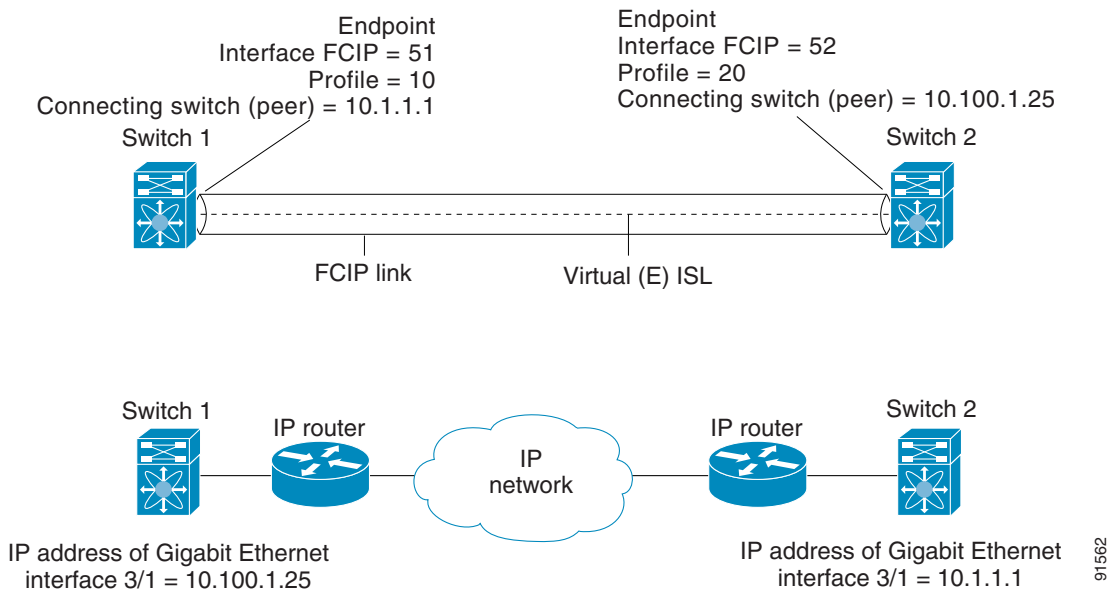
- One connection is used for data frames.
- The other connection is used only for Fibre Channel control frames, that is, switch-to-switch protocol frames (all Class F). This arrangement provides low latency for all control frames.

To enable FCIP on the IPS module or MPS-14/2 module, an FCIP profile and FCIP interface (interface FCIP) must be configured.

The FCIP link is established between two peers, the VE port initialization behavior is identical to a normal E port. This behavior is independent of the link being FCIP or pure Fibre Channel, and is based on the E port discovery process (ELP, ESC).

Once the FCIP link is established, the VE port behavior is identical to E port behavior for all inter-switch communication (including domain management, zones, and VSANs). At the Fibre Channel layer, all VE and E port operations are identical.

When two FCIP link endpoints are created, an FCIP link is established between the two IPS modules or MPS-14/2 modules. To create an FCIP link, assign a profile to the FCIP interface and configure the peer information. The peer IP switch information initiates (creates) an FCIP link to that peer switch (see Figure 38-3).

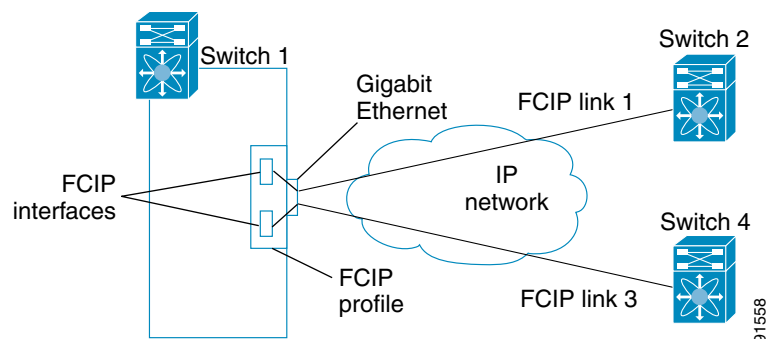
**Figure 38-3** Assigning Profiles to Each Gigabit Ethernet Interface

## FCIP Profiles

The FCIP profile contains information about the local IP address and TCP parameters. The profile defines the following information:

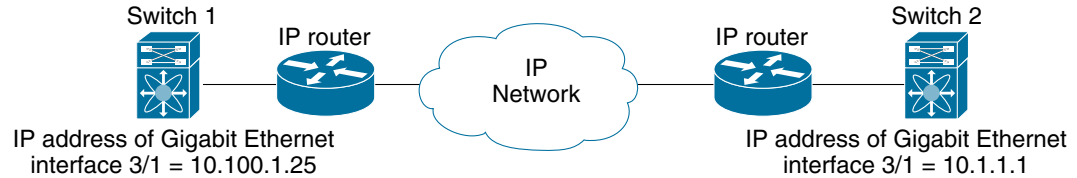
- The local connection points (IP address and TCP port number)
- The behavior of the underlying TCP connections for all FCIP links that use this profile

The FCIP profile's local IP address determines the Gigabit Ethernet port where the FCIP links terminate (see [Figure 38-4](#)).

**Figure 38-4** FCIP Profile and FCIP Links

You must assign a local IP address of a Gigabit Ethernet interface or subinterface to the FCIP profile to create an FCIP profile. You can assign IPv4 or IPv6 addresses to the interfaces.

[Figure 38-5](#) shows an example configuration.

**Figure 38-5** Assigning Profiles to Each Gigabit Ethernet Interface

91561

## FCIP Interfaces

The FCIP interface is the local endpoint of the FCIP link and a VE port interface. All the FCIP and E port parameters are configured in context to the FCIP interface.

The FCIP parameters consist of the following:

- The FCIP profile determines which Gigabit Ethernet port initiates the FCIP links and defines the TCP connection behavior.
- Peer information.
- Number of TCP connections for the FCIP link.
- E port parameters—trunking mode and trunk allowed VSAN list.

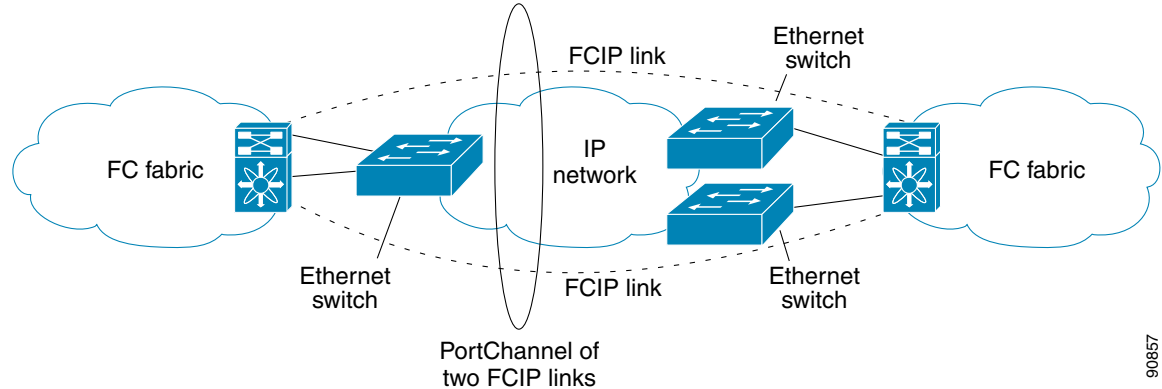
## FCIP High-Availability Solutions

The following high-availability solutions are available for FCIP configurations:

- [Fibre Channel PortChannels section, page 38-5](#)
- [FSPF section, page 38-6](#)
- [VRRP section, page 38-7](#)
- [Ethernet PortChannels section, page 38-7](#)

## Fibre Channel PortChannels

[Figure 38-6](#) provides an example of a PortChannel-based load-balancing configuration. To perform this configuration, you need two IP addresses on each SAN island. This solution addresses link failures.

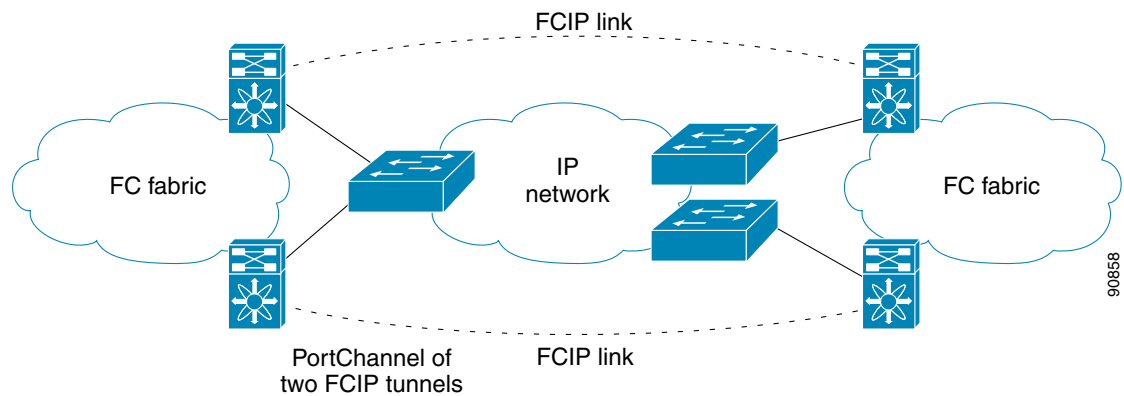
**Figure 38-6** PortChannel-Based Load Balancing

The following characteristics set Fibre Channel PortChannel solutions apart from other solutions:

- The entire bundle is one logical (E)ISL link.
- All FCIP links in the PortChannel should be across the same two switches.
- The Fibre Channel traffic is load balanced across the FCIP links in the PortChannel.

## FSPF

Figure 38-7 displays a FSPF-based load balancing configuration example. This configuration requires two IP addresses on each SAN island, and addresses IP and FCIP link failures.

**Figure 38-7** FSPF-Based Load Balancing

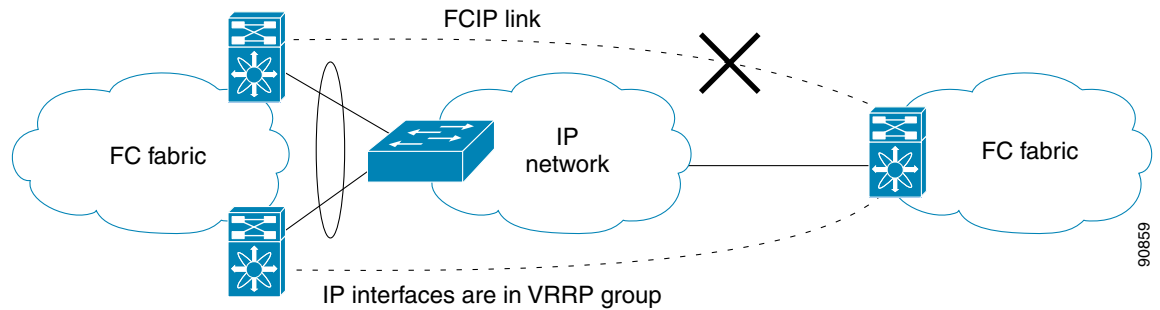
The following characteristics set FSPF solutions apart from other solutions:

- Each FCIP link is a separate (E)ISL.
- The FCIP links can connect to different switches across two SAN islands.
- The Fibre Channel traffic is load balanced across the FCIP link.

## VRRP

Figure 38-8 displays a Virtual Router Redundancy Protocol (VRRP)-based high availability FCIP configuration example. This configuration requires at least two physical Gigabit Ethernet ports connected to the Ethernet switch on the island where you need to implement high availability using VRRP.

**Figure 38-8 VRRP-Based High Availability**



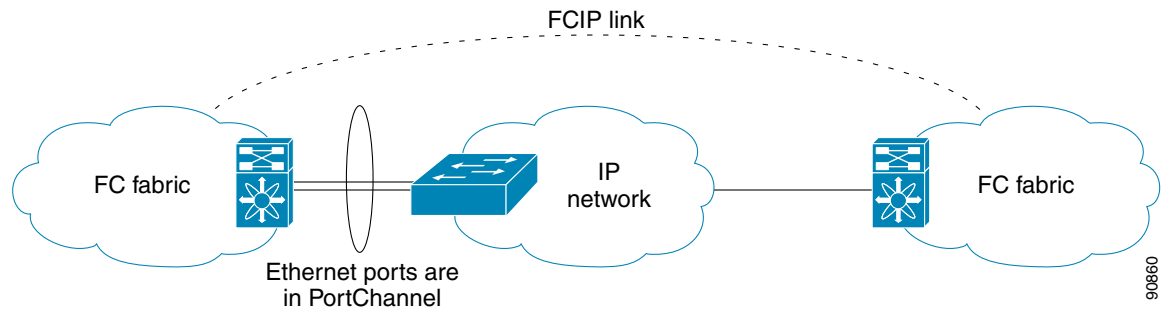
The following characteristics set VRRP solutions apart from other solutions:

- If the active VRRP port fails, the standby VRRP port takes over the VRRP IP address.
- When the VRRP switchover happens, the FCIP link automatically disconnects and reconnects.
- This configuration has only one FCIP (E)ISL link.

## Ethernet PortChannels

Figure 38-9 displays an Ethernet PortChannel-based high-availability FCIP example. This solution addresses the problem caused by individual Gigabit Ethernet link failures.

**Figure 38-9 Ethernet PortChannel-Based High Availability**



The following characteristics set Ethernet PortChannel solutions apart from other solutions:

- The Gigabit Ethernet link-level redundancy ensures a transparent failover if one of the Gigabit Ethernet links fails.
- Two Gigabit Ethernet ports in one Ethernet PortChannel appear like one logical Gigabit Ethernet link.

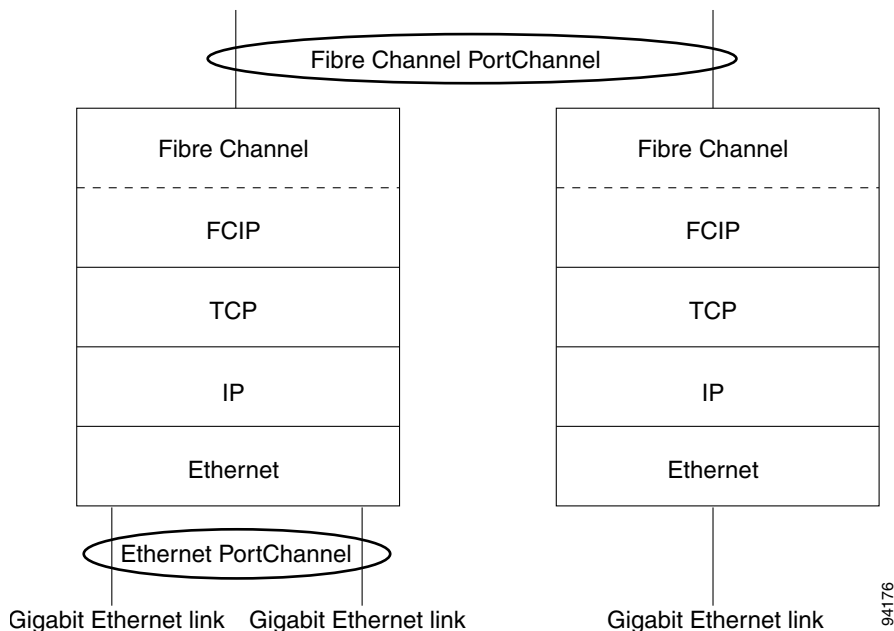
- The FCIP link stays up during the failover.

## Ethernet PortChannels and Fibre Channel PortChannels

Ethernet PortChannels offer link redundancy between the Cisco MDS 9000 Family switch's Gigabit Ethernet ports and the connecting Ethernet switch. Fibre Channel PortChannels also offer (E)ISL link redundancy between Fibre Channel switches. FCIP is an (E)ISL link and is only applicable for a Fibre Channel PortChannel. Beneath the FCIP level, an FCIP link can run on top of an Ethernet PortChannel or on one Gigabit Ethernet port. This link is totally transparent to the Fibre Channel layer.

An Ethernet PortChannel restriction only allows two contiguous IPS ports, such as ports 1–2 or 3–4, to be combined in one Ethernet PortChannel (see [Chapter 42, “Configuring IP Storage.”](#) for more information). This restriction only applies to Ethernet PortChannels. The Fibre Channel PortChannel (to which FCIP link can be a part of) does not have a restriction on which (E)ISL links can be combined in a Fibre Channel PortChannel as long as it passes the compatibility check. The maximum number of Fibre Channel ports that can be put into a Fibre Channel PortChannel is 16 (see [Figure 38-10](#)).

**Figure 38-10** PortChannels at the Fibre Channel and Ethernet Levels



To configure Fibre Channel PortChannels, see the *Cisco MDS 9000 Family NX-OS Interfaces Configuration Guide Interfaces Configuration Guide, Cisco DCNM for SAN*.

To configure Ethernet PortChannels, see the *High Availability and Redundancy Configuration Guide, Cisco DCNM for SAN Cisco MDS 9000 Family NX-OS High Availability and Redundancy Configuration Guide*.

## FCIP Profile Configuration

A basic FCIP configuration uses the local IP address to configure the FCIP profile. In addition to the local IP address and the local port, you can specify other TCP parameters as part of the FCIP profile configuration.



FCIP configuration options can be accessed from the switch(Config-profile)# submode prompt.

## Peers

All the FCIP and E port parameters are configured in context to the FCIP interface. To create an FCIP link, assign a profile to the FCIP interface and configure the peer information. The peer IP switch information initiates (creates) an FCIP link to that peer switch. The basic FCIP configuration uses the peer's IP address to configure the peer information. You can establish an FCIP link with the peer using the Peer IP address option. This option configures both ends of the FCIP link. Optionally, you can also use the peer TCP port along with the IP address.

To establish an FCIP link with the peer, you can use the peer IP address option. This option configures both ends of the FCIP link. Optionally, you can also use the peer TCP port along with the IP address.

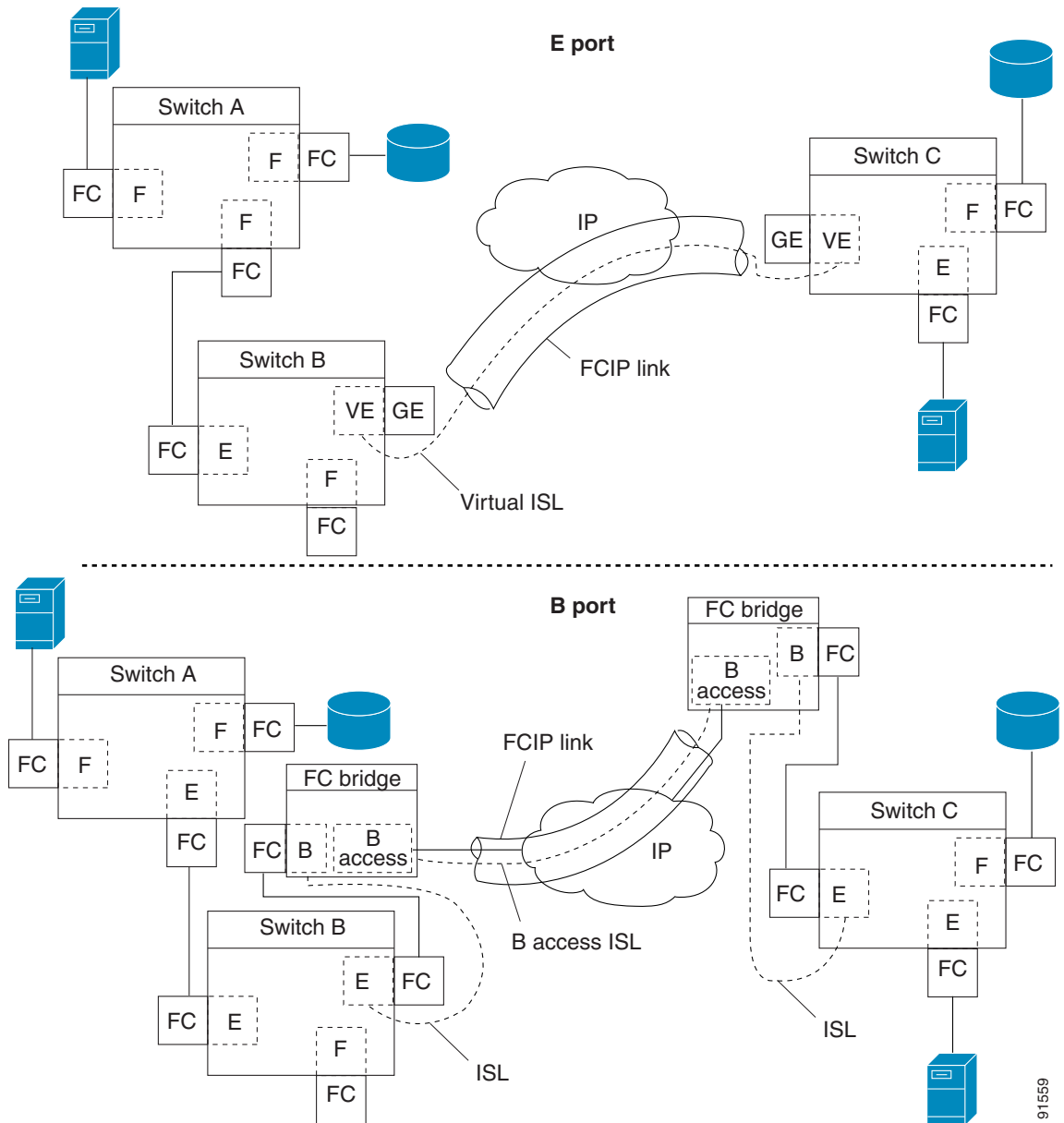
To establish a peer connection, you must first create the FCIP interface and enter the config-if submode.

## FCIP B Port Interoperability Mode

While E ports typically interconnect Fibre Channel switches, some SAN extender devices, such as Cisco's PA-FC-1G Fibre Channel port adapter and the SN 5428-2 storage router, implement a bridge port model to connect geographically dispersed fabrics. This model uses B port as described in the T11 Standard FC-BB-2.

[Figure 38-11](#) shows a typical SAN extension over an IP network.

Figure 38-11 FCIP B Port and Fibre Channel E Port

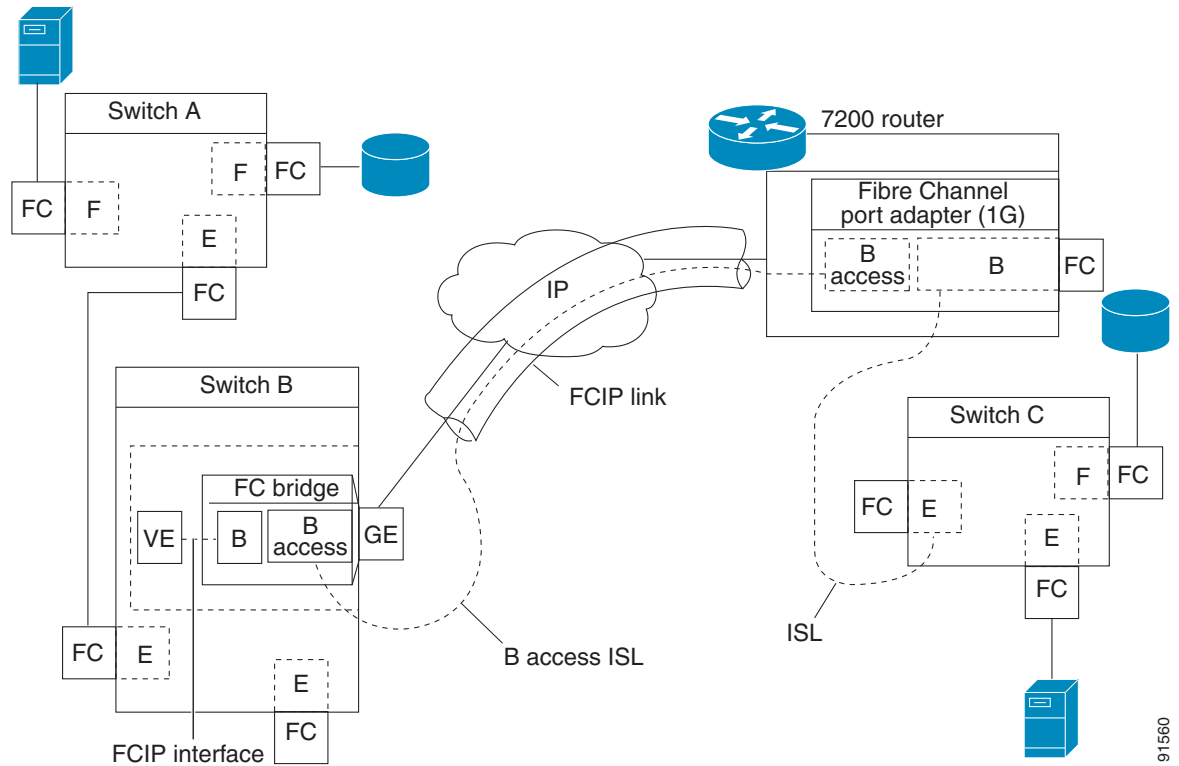


B ports bridge Fibre Channel traffic from a local E port to a remote E port without participating in fabric-related activities such as principal switch election, domain ID assignment, and Fibre Channel fabric shortest path first (FSPF) routing. For example, Class F traffic entering a SAN extender does not interact with the B port. The traffic is transparently propagated (bridged) over a WAN interface before exiting the remote B port. This bridge results in both E ports exchanging Class F information that ultimately leads to normal ISL behavior such as fabric merging and routing.

FCIP links between B port SAN extenders do not exchange the same information as FCIP links between E ports, and are therefore incompatible. This is reflected by the terminology used in FC-BB-2: *while VE ports establish a virtual ISL over an FCIP link, B ports use a B access ISL.*

The IPS module and MPS-14/2 module support FCIP links that originate from a B port SAN extender device by implementing the B access ISL protocol on a Gigabit Ethernet interface. Internally, the corresponding virtual B port connects to a virtual E port that completes the end-to-end E port connectivity requirement (see [Figure 38-12](#)).

**Figure 38-12** FCIP Link Terminating in a B Port Mode



The B port feature in the IPS module and MPS-14/2 module allows remote B port SAN extenders to communicate directly with a Cisco MDS 9000 Family switch, eliminating the need for local bridge devices.

## Quality of Service

The quality of service (QoS) parameter specifies the differentiated services code point (DSCP) value to mark all IP packets (type of service—TOS field in the IP header).

- The control DSCP value applies to all FCIP frames in the control TCP connection.
- The data DSCP value applies to all FCIP frames in the data connection.

If the FCIP link has only one TCP connection, that data DSCP value is applied to all packets in that connection.

## E Ports

You can configure E ports in the same way you configure FCIP interfaces. The following features are also available for FCIP interfaces:

- An FCIP interface can be a member of any VSAN
- Trunk mode and trunk allowed VSANs
- PortChannels
- FSPF
- Fibre Channel domains (fcdomains)
- Importing and exporting the zone database from the adjacent switch

You can configure E ports in the same way you configure FCIP interfaces. The following features are also available for FCIP interfaces:

- An FCIP interface can be a member of any VSAN  
See the *Fabric Configuration Guide, Cisco DCNM for SAN Cisco MDS 9000 Family NX-OS Fabric Configuration Guide*.
- Trunk mode and trunk allowed VSANs  
See the *Interfaces Configuration Guide, Cisco DCNM for SAN Cisco MDS 9000 Family NX-OS Interfaces Configuration Guide*.
- PortChannels
  - Multiple FCIP links can be bundled into a Fibre Channel PortChannel.
  - FCIP links and Fibre Channel links cannot be combined in one PortChannel.  
See the *Security Configuration Guide, Cisco DCNM for SAN Cisco MDS 9000 Family NX-OS Security Configuration Guide*.
- FSPF  
See the *Fabric Configuration Guide, Cisco DCNM for SAN Cisco MDS 9000 Family NX-OS Fabric Configuration Guide*.
- Fibre Channel domains (fcdomains)  
See the *System Management Configuration Guide, Cisco DCNM for SAN Cisco MDS 9000 Family NX-OS System Management Configuration Guide*.
- Importing and exporting the zone database from the adjacent switch  
See the *System Management Configuration Guide, Cisco DCNM for SAN Cisco MDS 9000 Family NX-OS System Management Configuration Guide*.

## FCIP Write Acceleration

The FCIP write acceleration feature enables you to significantly improve application write performance when storage traffic is routed over wide area networks using FCIP. When FCIP write acceleration is enabled, WAN throughput is maximized by minimizing the impact of WAN latency for write operations.



### Note

The write acceleration feature is disabled by default and must be enabled on both sides of the FCIP link. If it is only enabled on one side of the FCIP tunnel the write acceleration feature will be turned operationally off.

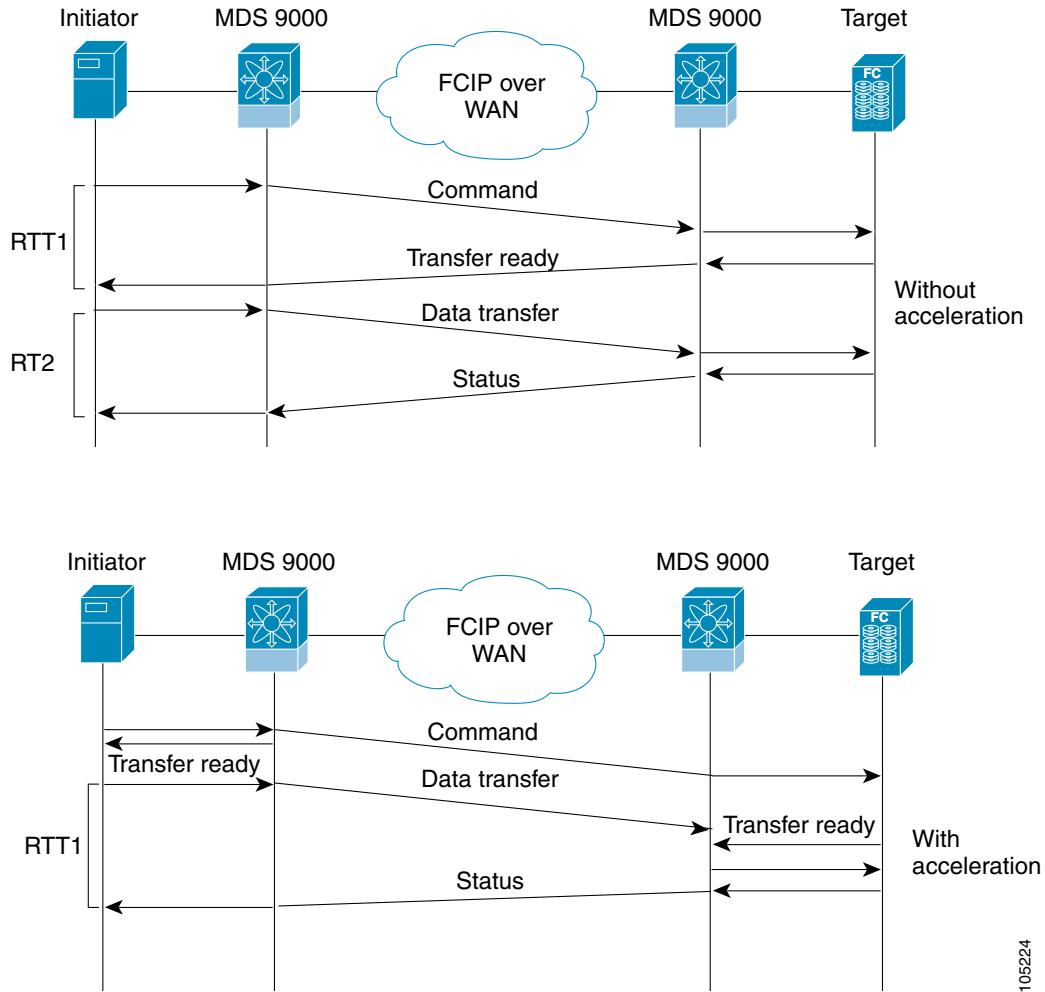


### Note

IBM Peer to Peer Remote Copy (PPRC) is not supported with FCIP write acceleration.

The WRITE command (see Figure 38-13), without write acceleration requires two round-trip transfers (RTT), while the WRITE command with write acceleration only requires one RTT. The maximum sized Transfer Ready is sent from the host side of the FCIP link back to the host before the WRITE command reaches the target. This enables the host to start sending the write data without waiting for the long latency over the FCIP link of the WRITE command and Transfer Ready. It also eliminates the delay caused by multiple Transfer Readys needed for the exchange going over the FCIP link.

**Figure 38-13 FCIP Link Write Acceleration**



105224

  
**Tip**

FCIP write acceleration can be enabled for multiple FCIP tunnels if the tunnels are part of a dynamic PortChannel configured with channel mode active. FCIP write acceleration does not work if multiple non-PortChannel ISLs exist with equal weight between the initiator and the target port. Such a configuration might cause either SCSI discovery failure or failed WRITE or READ operations.

  
**Tip**

Do not enable time stamp control on an FCIP interface with write acceleration configured.

**Note**

Write acceleration cannot be used across FSPF equal cost paths in FCIP deployments. Native Fibre Channel write acceleration can be used with PortChannels. Also, FCIP write acceleration can be used in PortChannels configured with channel mode active or constructed with PortChannel Protocol (PCP).

**Caution**

In Cisco MDS SAN-OS Release 2.0(1b) and later and NX-OS Release 4.x, FCIP write acceleration with FCIP ports as members of PortChannels are not compatible with the FCIP write acceleration in earlier releases.

## FCIP Tape Acceleration

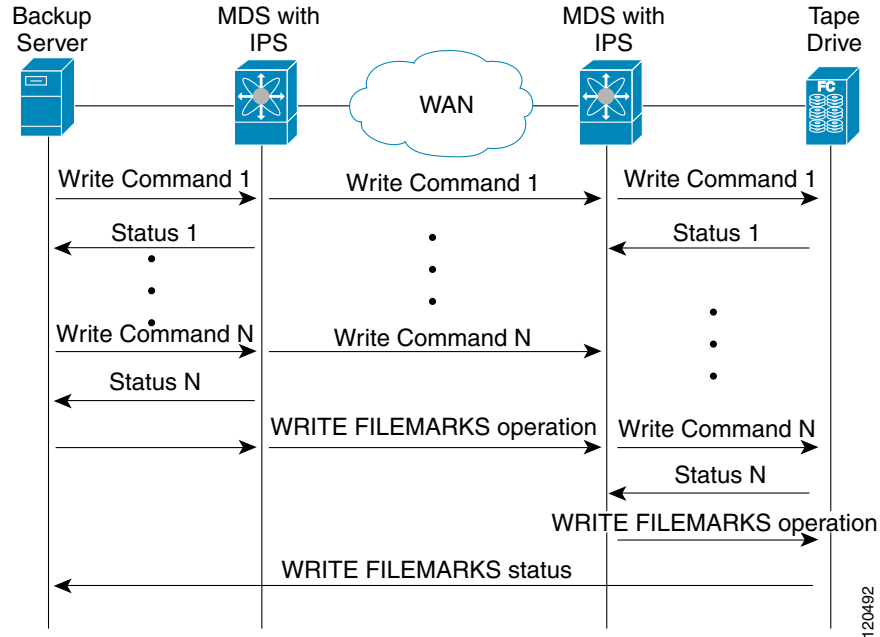
The FCIP write acceleration feature enables you to significantly improve application write performance when storage traffic is routed over wide area networks using FCIP. When FCIP write acceleration is enabled, WAN throughput is maximized by minimizing the impact of WAN latency for write operations. The write acceleration feature is disabled by default and must be enabled on both sides of the FCIP link.

Tapes are storage devices that store and retrieve user data sequentially. Cisco MDS NX-OS provides both tape write and read acceleration.

Applications that access tape drives normally have only one SCSI WRITE or READ operation outstanding to it. This single command process limits the benefit of the tape acceleration feature when using an FCIP tunnel over a long-distance WAN link. It impacts backup, restore, and restore performance because each SCSI WRITE or READ operation does not complete until the host receives a good status response from the tape drive. The FCIP tape acceleration feature helps solve this problem. It improves tape backup, archive, and restore operations by allowing faster data streaming between the host and tape drive over the WAN link.

In an example of tape acceleration for write operations, the backup server in (see [Figure 38-14](#)) issues write operations to a drive in the tape library. Acting as a proxy for the remote tape drives, the local Cisco MDS switch proxies a transfer ready to signal the host to start sending data. After receiving all the data, the local Cisco MDS switch proxies the successful completion of the SCSI WRITE operation. This response allows the host to start the next SCSI WRITE operation. This proxy method results in more data being sent over the FCIP tunnel in the same time period compared to the time taken to send data without proxying. The proxy method improves the performance on WAN links.

Figure 38-14 FCIP Link Tape Acceleration for Write Operations



At the tape end of the FCIP tunnel, another Cisco MDS switch buffers the command and data it has received. It then acts as a backup server to the tape drive by listening to a transfer ready from the tape drive before forwarding the data.

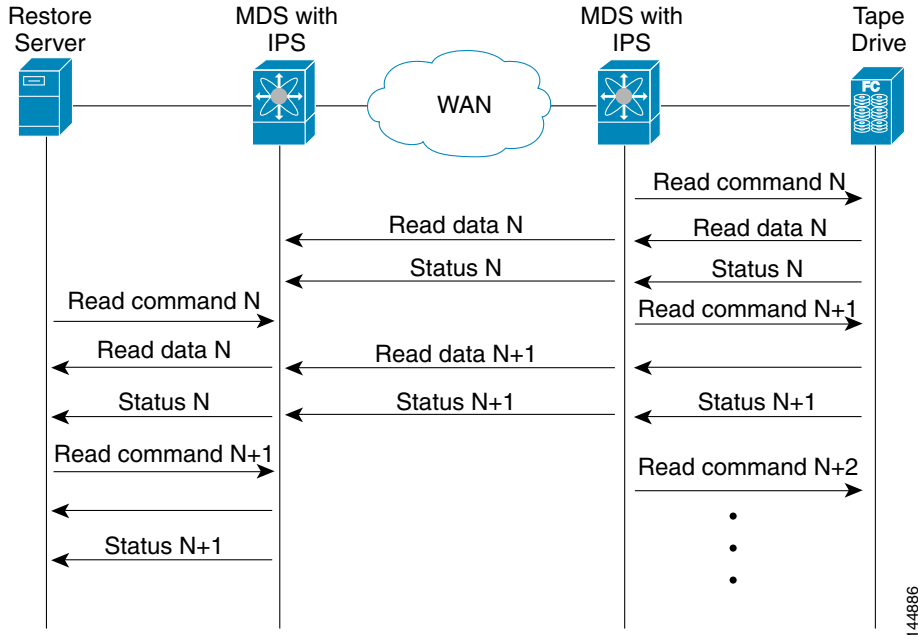
**Note**

In some cases such as a quick link up/down event (FCIP link, Server/Tape Port link) in a tape library environment that exports Control LUN or a Medium Changer as LUN 0 and tape drives as other LUNs, tape acceleration may not detect the tape sessions and may not accelerate these sessions. You need to keep the FCIP link disabled for a couple of minutes before enabling the link. This does not apply to tape environments where the tape drives are either direct FC attached or exported as LUN 0.

The Cisco NX-OS provides reliable data delivery to the remote tape drives using TCP/IP over the WAN. It maintains write data integrity by allowing the WRITE FILEMARKS operation to complete end-to-end without proxying. The WRITE FILEMARKS operation signals the synchronization of the buffer data with the tape library data. While tape media errors are returned to backup servers for error handling, tape busy errors are retried automatically by the Cisco NX-OS software.

In an example of tape acceleration for read operations, the restore server (see [Figure 38-15](#)) issues read operations to a drive in the tape library. During the restore process, the remote Cisco MDS switch at the tape end, in anticipation of more SCSI read operations from the host, sends out SCSI read operations on its own to the tape drive. The prefetched read data is cached at the local Cisco MDS switch. The local Cisco MDS switch on receiving SCSI read operations from the host, sends out the cached data. This method results in more data being sent over the FCIP tunnel in the same time period compared to the time taken to send data without read acceleration for tapes. This improves the performance for tape reads on WAN links.

Figure 38-15 FCIP Link Tape Acceleration for Read Operations



The Cisco NX-OS provides reliable data delivery to the restore application using TCP/IP over the WAN. While tape media errors during the read operation are returned to the restore server for error handling, the Cisco NX-OS software recovers from any other errors.

**Note**

The FCIP tape acceleration feature is disabled by default and must be enabled on both sides of the FCIP link. If it is only enabled on one side of the FCIP tunnel, the tape acceleration feature is turned operationally off.

**Tip**

FCIP tape acceleration does not work if the FCIP port is part of a PortChannel or if there are multiple paths between the initiator and the target port. Such a configuration might cause either SCSI discovery failure or broken write or read operations.

**Caution**

When tape acceleration is enabled in an FCIP interface, a FICON VSAN cannot be enabled in that interface. Likewise, if an FCIP interface is up in a FICON VSAN, tape acceleration cannot be enabled on that interface.

**Note**

When you enable the tape acceleration feature for an FCIP tunnel, the tunnel is reinitialized and the write and read acceleration feature is also automatically enabled.

In tape acceleration for writes, after a certain amount of data has been buffered at the remote Cisco MDS switch, the write operations from the host are flow controlled by the local Cisco MDS switch by not proxying the Transfer Ready. On completion of a write operation when some data buffers are freed, the local Cisco MDS switch resumes the proxying. Likewise, in tape acceleration for reads, after a certain



amount of data has been buffered at the local Cisco MDS switch, the read operations to the tape drive are flow controlled by the remote Cisco MDS switch by not issuing any further reads. On completion of a read operation, when some data buffers are freed, the remote Cisco MDS switch resumes issuing reads.

The default flow control buffering uses the **automatic** option. This option takes the WAN latencies and the speed of the tape into account to provide optimum performance. You can also specify a flow control buffer size (the maximum buffer size is 12 MB).

**Tip**

We recommend that you use the default option for flow-control buffering.

**Tip**

Do not enable time-stamp control on an FCIP interface with tape acceleration configured.

**Note**

If one end of the FCIP tunnel is running Cisco MDS SAN-OS Release 3.0(1) or later and NX-OS Release 4.x, and the other end is running Cisco MDS SAN-OS Release 2.x, and tape acceleration is enabled, then the FCIP tunnel will run only tape write acceleration, not tape-read acceleration.

**Note**

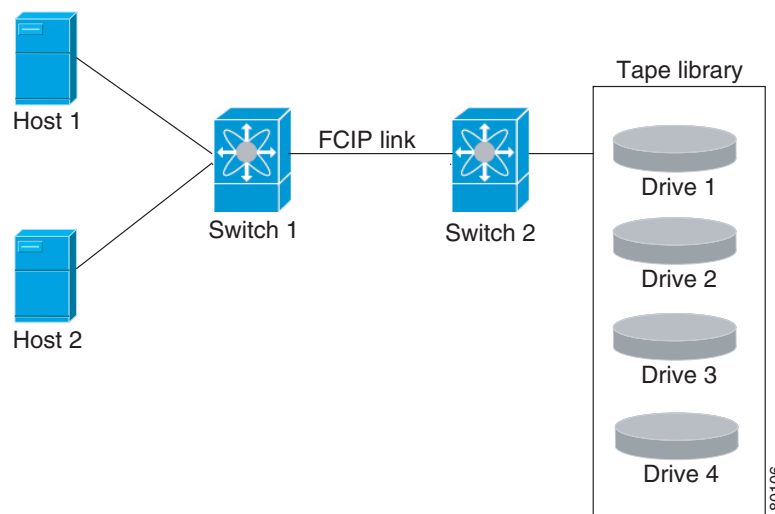
In Cisco MDS NX-OS Release 4.2(1), the FCIP Tape Acceleration feature is not supported on FCIP back-to-back connectivity between MDS switches.

### Tape Library LUN Mapping for FCIP Tape Acceleration

If a tape library provides logical unit (LU) mapping and FCIP tape acceleration is enabled, you must assign a unique LU number (LUN) to each physical tape drive accessible through a target port.

[Figure 38-16](#) shows tape drives connected to Switch 2 through a single target port. If the tape library provides LUN mapping, then all the four tape drives should be assign unique LUNs.

**Figure 38-16 FCIP LUN Mapping Example**



For the mappings described in [Table 38-1](#) and [Table 38-2](#), Host 1 has access to Drive 1 and Drive 2, and Host 2 has access to Drive 3 and Drive 4.

[Table 38-1](#) describes correct tape library LUN mapping.

**Table 38-1** Correct LUN Mapping Example with Single Host Access

Host	LUN Mapping	Drive
Host 1	LUN 1	Drive 1
	LUN 2	Drive 2
Host 2	LUN 3	Drive 3
	LUN 4	Drive 4

[Table 38-2](#) describes incorrect tape library LUN mapping.

**Table 38-2** Incorrect LUN Mapping Example with Single Hosts Access

Host	LUN Mapping	Drive
Host 1	LUN 1	Drive 1
	LUN 2	Drive 2
Host 2	LUN 1	Drive 3
	LUN 2	Drive 4

Another example setup is when a tape drive is shared by multiple hosts through a single tape port. For instance, Host 1 has access to Drive1 and Drive2, and Host 2 has access to Drive 2, Drive 3, and Drive 4. A correct LUN mapping configuration for such a setup is shown in [Table 38-3](#).

**Table 38-3** Correct LUN Mapping Example with Multiple Host Access

Host	LUN Mapping	Drive
Host 1	LUN 1	Drive 1
	LUN 2	Drive 2
Host 2	LUN 2	Drive 2
	LUN 3	Drive 3
	LUN 4	Drive 4

## FCIP Compression

The FCIP compression feature allows IP packets to be compressed on the FCIP link if this feature is enabled on that link. By default the FCIP compression is disabled. When enabled, the software defaults to using the **auto** mode (if a mode is not specified).



### Note

The **auto** mode (default) selects the appropriate compression scheme based on the card type and bandwidth of the link (the bandwidth of the link configured in the FCIP profile's TCP parameters).

Table 38-4 lists the modes used for different cards.

**Table 38-4 Algorithm Classification**

Mode	IPS Card	MPS 14/2 Card	MSM-18/4/MDS 9222i/SSN-16
mode1	SW	HW	HW
mode2	SW	SW	HW
mode3	SW	SW	HW



**Note**

With SAN-OS Release 3.3(1) and later and NX-OS Release 4.x, all compression options on the MDS 9222i switch and the MSM-18/4 module, mean hardware compression. Starting with Release 4.2(1), only auto compression and mode 2 compression are supported on the MDS 9222i switch, the MSM-18/4 module, and the SSN-16 module.

Table 2-5 lists the performance settings for different cards.

**Table 38-5 Performance Settings**

Bandwidth	IPS Cards	MPS 14/2 Card	MSM-18/4/MDS 9222i/SSN-16
Any	-	-	auto
>25 Mbps	mode 1	mode 1	auto
10-25 Mbps	mode 2	mode 2	auto
10 Mbps	mode 3	mode 3	auto



**Note**

The Cisco MDS 9216i and 9222i Switches also support the IP compression feature. The integrated supervisor module has the same hardware components that are available in the MPS-14/2 module.



**Caution**

The compression modes in Cisco SAN-OS Release 2.0(1b) and later and NX-OS Release 4.x are incompatible with the compression modes in Cisco SAN-OS Release 1.3(1) and earlier.



**Tip**

While upgrading from Cisco SAN-OS Release 1.x to Cisco SAN-OS Release 2.0(1b) or later and NX-OS Release 4.x, we recommend that you disable compression before the upgrade procedure, and then enable the required mode after the upgrade procedure.

If both ends of the FCIP link are running Cisco SAN-OS Release 2.0(1b) or later and NX-OS Release 4.x and you enable compression at one end of the FCIP tunnel, be sure to enable it at the other end of the link.

## Default Settings

Table 38-6 lists the default settings for FCIP parameters.

**Table 38-6** Default FCIP Parameters

Parameters	Default
TCP default port for FCIP	3225
<b>minimum-retransmit-time</b>	200 msec
Keepalive timeout	60 sec
Maximum retransmissions	4 retransmissions
PMTU discovery	Enabled
<b>pmtu-enable reset-timeout</b>	3600 sec
SACK	Enabled
<b>max-bandwidth</b>	1 Gbps
<b>min-available-bandwidth</b>	500 Mbps
<b>round-trip-time</b>	1 msec
Buffer size	0 KB
Control TCP and data connection	No packets are transmitted
TCP congestion window monitoring	Enabled
Burst size	50 KB
TCP connection mode	Active mode is enabled
<b>special-frame</b>	Disabled
FCIP timestamp	Disabled
<b>acceptable-diff</b> range to accept packets	+/- 2000 msec
B port keepalive responses	Disabled
Write acceleration	Disabled
Tape acceleration	Disabled

## Configuring FCIP

This section describes how to configure FCIP and includes the following topics:

- [Enabling FCIP section, page 38-21](#)
- [Modifying an FCIP Link](#)
- [Creating FCIP Profiles section, page 38-23](#)
- [Checking Trunk Status section, page 38-24](#)
- [Launching Cisco Transport Controller section, page 38-24](#)
- [Creating FCIP Links section, page 38-25](#)
- [Configuring TCP Listener Ports section, page 38-25](#)
- [Configuring TCP Parameters section, page 38-26](#)
- [Assigning a Peer IP Address section, page 38-30](#)
- [Configuring Active Connections section, page 38-32](#)

- [Enabling Time Stamp Control section, page 38-32](#)
- [Configuring B Ports section, page 38-33](#)
- [Setting QoS Values section, page 38-34](#)
- [Configuring FCIP Write Acceleration section, page 38-34](#)
- [Configuring FCIP Tape Acceleration section, page 38-35](#)
- [Configuring FCIP Compression section, page 38-36](#)

## Enabling FCIP

To begin configuring the FCIP feature, you must explicitly enable FCIP on the required switches in the fabric. By default, this feature is disabled in all switches in the Cisco MDS 9000 Family.

The configuration and verification operations commands for the FCIP feature are only available when FCIP is enabled on a switch. When you disable this feature, all related configurations are automatically discarded.

To use the FCIP feature, you need to obtain the SAN extension over IP package license (SAN\_EXTN\_OVER\_IP or SAN\_EXTN\_OVER\_IP\_IPS4) (see the *Cisco Family NX-OS Licensing Guide*). By default, the MDS 9222i and 9216i switches are shipped with the SAN extension over IP package license.

To enable FCIP on any participating switch, follow these steps:

	Command	Purpose
<b>Step 1</b>	switch# <b>config t</b>	Enters configuration mode.
<b>Step 2</b>	switch(config)# <b>feature fcip</b>	Enables FCIP on that switch.
	switch(config)# <b>no feature fcip</b>	Disables (default) FCIP on that switch.



### Note

In Cisco MDS SAN-OS Release 2.0 and later and NX-OS Release 4.x, there is an additional login prompt to log into a switch that is not a part of your existing fabric.

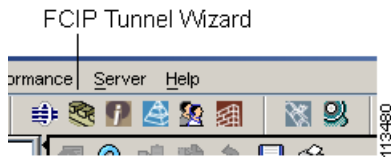
To create and manage FCIP links with DCNM-SAN, use the FCIP Wizard. Make sure that the IP Services Module is inserted in the required Cisco MDS 9000 Family switch, and that the Gigabit Ethernet interfaces on these switches are connected, and then verify the connectivity. The procedures for creating FCIP links using the FCIP Wizard are as follows:

- Select the endpoints.
- Choose the interfaces' IP addresses.
- Specify link attributes.
- (Optional) Enable FCIP write acceleration or FCIP compression.

To create FCIP links using the FCIP Wizard, follow these steps:

- Step 1** Click the **FCIP Wizard** icon in the DCNM-SAN toolbar (See [Figure 38-17](#)).

**Figure 38-17 FCIP Wizard**



- Step 2** Choose the switches that act as endpoints for the FCIP link and click **Next**.
- Step 3** Choose the Gigabit Ethernet ports on each switch that will form the FCIP link.
- Step 4** If both Gigabit Ethernet ports are part of MPS-14/2 modules, check the **Enforce IPSEC Security** check box and set the **IKE Auth Key**. See the *Security Configuration Guide, Cisco DCNM for SAN* for information on IPsec and IKE.

Check the **Use Large MTU Size (Jumbo Frames)** option to use jumbo size frames of 2300. Since Fibre Channel frames are 2112, we recommended that you use this option. If you uncheck the box, the FCIP Wizard does not set the MTU size, and the default value of 1500 is set.




---

**Note** In Cisco MDS 9000 SAN-OS, Release 3.0(3), by default the **Use Large MTU Size (Jumbo Frames)** option is not selected.

---

- Step 5** Click **Next**.  
You see the IP Address/Route input screen.
- Step 6** Select **Add IP Route** if you want to add an IP route, otherwise retain the defaults.
- Step 7** Click **Next**.  
You see the TCP connection characteristics.
- Step 8** Set the minimum and maximum bandwidth settings and round-trip time for the TCP connections on this FCIP link.  
You can measure the round-trip time between the Gigabit Ethernet endpoints by clicking the **Measure** button.
- Step 9** Check the **Write Acceleration** check box to enable FCIP write acceleration on this FCIP link.  
See the “[FCIP Write Acceleration](#)” section on page 38-12.
- Step 10** Check the **Enable Optimum Compression** check box to enable IP compression on this FCIP link.  
See the “[FCIP Compression](#)” section on page 38-18.
- Step 11** Check the **Enable XRC Emulator** check box to enable XRC emulator on this FCIP link.  
For more information on XRC Emulator, see the *Fabric Configuration Guide, Cisco DCNM for SAN*.
- Step 12** Click **Next**.
- Step 13** Set the **Port VSAN** and click the **Trunk Mode** radio button for this FCIP link.
- Step 14** Click **Finish** to create this FCIP link.
-

## Modifying an FCIP Link

Once you have created FCIP links using the FCIP wizard, you may need to modify parameters for these links. This procedure includes modifying the FCIP profiles as well as the FCIP link parameters. Each Gigabit Ethernet interface can have three active FCIP links at one time.

To modify an FCIP link, follow these steps on both switches:

- 
- Step 1** Configure the Gigabit Ethernet interface.
  - Step 2** Create an FCIP profile, and then assign the Gigabit Ethernet interface's IP address to the profile.
  - Step 3** Create an FCIP interface, and then assign the profile to the interface.
  - Step 4** Configure the peer IP address for the FCIP interface.
  - Step 5** Enable the interface.
- 

## Creating FCIP Profiles

To create an FCIP profile in switch 1 in [Figure 38-5](#), follow these steps:

	Command	Purpose
<b>Step 1</b>	switch1# <b>config terminal</b> switch1(config)#	Enters configuration mode.
<b>Step 2</b>	switch1(config)# <b>fcip profile 10</b> switch1(config-profile)#	Creates a profile for the FCIP connection. The valid range is from 1 to 255.
<b>Step 3</b>	switch1(config-profile)# <b>ip address 10.100.1.25</b>	Associates the profile (10) with the local IPv4 address of the Gigabit Ethernet interface (3/1).

To assign FCIP profile in switch 2 in [Figure 38-5](#), follow these steps:

	Command	Purpose
<b>Step 1</b>	switch2# <b>config terminal</b> switch2(config)#	Enters configuration mode.
<b>Step 2</b>	switch2(config)# <b>fcip profile 20</b> switch2(config-profile)#	Creates a profile for the FCIP connection.
<b>Step 3</b>	switch2(config-profile)# <b>ip address 10.1.1.1</b>	Associates the profile (20) with the local IPv4 address of the Gigabit Ethernet interface.

To create an FCIP profile in switch 1, follow these steps:

- 
- Step 1** Verify that you are connected to a switch that contains an IPS module.
  - Step 2** From DCNM-SAN, choose **Switches > ISLs > FCIP** in the Physical Attributes pane. From Device Manager, choose **FCIP** from the IP menu.
  - Step 3** Click the **Create Row** button in DCNM-SAN or the **Create** button on Device Manager to add a new profile.
  - Step 4** Enter the profile ID in the ProfileId field.

- Step 5** Enter the IP address of the interface to which you want to bind the profile.
  - Step 6** Modify the optional TCP parameters, if desired. Refer to DCNM for SAN Online Help for explanations of these fields.
  - Step 7** (Optional) Click the **Tunnels** tab and modify the remote IP address in the Remote IPAddress field for the endpoint to which you want to link.
  - Step 8** Enter the optional parameters, if required.  
See the “[FCIP Profiles](#)” section on page 38-4 for information on displaying FCIP profile information.
  - Step 9** Click **Apply Changes** icon to save these changes.
- 

## Checking Trunk Status

By default, trunk mode is enabled in all Fibre Channel interfaces. However, trunk mode configuration takes effect only in E-port mode. You can configure trunk mode as on (enabled), off (disabled), or auto (automatic). The default trunk mode is on. The trunk mode configuration at the two ends of an ISL, between two switches, determines the trunking state of the link and the port modes at both ends.

To check the trunk status for the FCIP interface on Device Manager, follow these steps:

- Step 1** Make sure you are connected to a switch that contains an IPS module.
  - Step 2** Select **FCIP** from the IP menu.
  - Step 3** Click the **Trunk Config** tab if it is not already selected. You see the FCIP Trunk Config dialog box. This shows the status of the interface.
  - Step 4** Click the **Trunk Failures** tab if it is not already selected. You see the FCIP Trunk Failures dialog box.
- 

## Launching Cisco Transport Controller

Cisco Transport Controller (CTC) is a task-oriented tool used to install, provision, and maintain network elements. It is also used to troubleshoot and repair NE faults.

To launch CTC, follow these steps:

- Step 1** Right-click an ISL carrying optical traffic in the fabric.
  - Step 2** Click **Element Manager**.
  - Step 3** Enter the URL for the Cisco Transport Controller.
  - Step 4** Click **OK**.
-



## Creating FCIP Links

To create an FCIP link endpoint in switch 1, follow these steps:

	Command	Purpose
Step 1	switch1# <b>config terminal</b> switch(config)#	Enters configuration mode.
Step 2	switch1(config)# <b>interface fcip 51</b> switch1(config-if)#	Creates an FCIP interface (51).
Step 3	switch1(config-if)# <b>use-profile 10</b>	Assigns the profile (10) to the FCIP interface.
Step 4	switch1(config-if)# <b>peer-info ipaddr 10.1.1.1</b>	Assigns the peer IPv4 address information (10.1.1.1 for switch 2) to the FCIP interface.
Step 5	switch1(config-if)# <b>no shutdown</b>	Enables the interface.

To create an FCIP link endpoint in switch 2, follow these steps:

	Command	Purpose
Step 1	switch2# <b>config terminal</b> switch2(config)#	Enters configuration mode.
Step 2	switch2(config)# <b>interface fcip 52</b> switch2(config-if)#	Creates an FCIP interface (52).
Step 3	switch2(config-if)# <b>use-profile 20</b>	Binds the profile (20) to the FCIP interface.
Step 4	switch2(config-if)# <b>peer-info ip address 10.100.1.25</b>	Assigns the peer IPv4 address information (10.100.1.25 for switch 1) to the FCIP interface.
Step 5	switch1(config-if)# <b>no shutdown</b>	Enables the interface.

## Configuring TCP Listener Ports

To configure TCP listener ports, follow these steps:

	Command	Purpose
Step 1	switch# <b>config terminal</b> switch(config)#	Enters configuration mode.
Step 2	switch(config)# <b>fcip profile 20</b> switch(config-profile)#	Creates the profile (if it does not already exist) and enters profile configuration submenu. The valid range is from 1 to 255.

The default TCP port for FCIP is 3225. You can change this port by using the **port** command.

To change the default FCIP port number (3225), follow these steps:

	Command	Purpose
Step 1	switch(config-profile)# <b>port 5000</b>	Associates the profile with the local port number (5000).
	switch(config-profile)# <b>no port</b>	Reverts to the default 3225 port.

## Configuring TCP Parameters

You can control TCP behavior in a switch by configuring the TCP parameters that are described in this section.



### Note

When FCIP is sent over a WAN link, the default TCP settings may not be appropriate. In such cases, we recommend that you tune the FCIP WAN link by modifying the TCP parameters (specifically bandwidth, round-trip times, and CWM burst size).

This section includes the following topics:

- [Configuring Minimum Retransmit Timeout section, page 38-26](#)
- [Configuring Keepalive Timeout section, page 38-26](#)
- [Configuring Maximum Retransmissions section, page 38-27](#)
- [Configuring Path MTUs section, page 38-27](#)
- [Configuring Selective Acknowledgments section, page 38-27](#)
- [Configuring Window Management section, page 38-28](#)
- [Configuring Monitoring Congestion section, page 38-29](#)
- [Configuring Estimating Maximum Jitter section, page 38-29](#)
- [Configuring Buffer Size section, page 38-30](#)

### Configuring Minimum Retransmit Timeout

You can control the minimum amount of time TCP waits before retransmitting. By default, this value is 200 milliseconds (msec).

To configure the minimum retransmit time, follow these steps:

	Command	Purpose
Step 1	<code>switch(config-profile)# tcp min-retransmit-time 500</code>	Specifies the minimum TCP retransmit time for the TCP connection to be 500 msec. The default is 200 msec and the range is from 200 to 5000 msec.
	<code>switch(config-profile)# no tcp min-retransmit-time 500</code>	Reverts the minimum TCP retransmit time to the factory default of 200 msec.

### Configuring Keepalive Timeout

You can configure the interval that the TCP connection uses to verify that the FCIP link is functioning. This ensures that an FCIP link failure is detected quickly even when there is no traffic.

If the TCP connection is idle for more than the specified time, then keepalive timeout packets are sent to ensure that the connection is active. This command can be used to tune the time taken to detect FCIP link failures.

You can configure the first interval during which the connection is idle (the default is 60 seconds). When the connection is idle for the configured interval, eight keepalive probes are sent at 1-second intervals. If no response is received for these eight probes and the connection remains idle throughout, that FCIP link is automatically closed.



**Note** Only the first interval (during which the connection is idle) can be changed.

To configure the first keepalive timeout interval, follow these steps:

	Command	Purpose
Step 1	<code>switch(config-profile)# tcp keepalive-timeout 120</code>	Specifies the keepalive timeout interval for the TCP connection in seconds (120). The range is from 1 to 7200 seconds.
	<code>switch(config-profile)# no tcp keepalive-timeout 120</code>	Reverts the keepalive timeout interval to the default 60 seconds.

### Configuring Maximum Retransmissions

You can specify the maximum number of times a packet is retransmitted before TCP decides to close the connection.

To configure maximum retransmissions, follow these steps:

	Command	Purpose
Step 1	<code>switch(config-profile)# tcp max-retransmissions 6</code>	Specifies the maximum number of retransmissions (6). The range is from 1 to 8 retransmissions.
	<code>switch(config-profile)# no tcp max-retransmissions 6</code>	Reverts to the default of 4 retransmissions.

### Configuring Path MTUs

Path MTU (PMTU) is the minimum MTU on the IP network between the two endpoints of the FCIP link. PMTU discovery is a mechanism by which TCP learns of the PMTU dynamically and adjusts the maximum TCP segment accordingly (RFC 1191).

By default, PMTU discovery is enabled on all switches with a timeout of 3600 seconds. If TCP reduces the size of the maximum segment because of PMTU change, the reset-timeout specifies the time after which TCP tries the original MTU.

To configure PMTU, follow these steps:

	Command	Purpose
Step 1	<code>switch(config-profile)# no tcp pmtu-enable</code>	Disables PMTU discovery.
	<code>switch(config-profile)# tcp pmtu-enable</code>	Enables (default) PMTU discovery with the default value of 3600 seconds.
	<code>switch(config-profile)# tcp pmtu-enable reset-timeout 90</code>	Specifies the PMTU reset timeout to 90 seconds. The range is 60 to 3600 seconds.
	<code>switch(config-profile)# no tcp pmtu-enable reset-timeout 600</code>	Leaves PMTU discovery enabled but reverts the timeout to the default of 3600 seconds.

### Configuring Selective Acknowledgments

TCP may experience poor performance when multiple packets are lost within one window. With the limited information available from cumulative acknowledgments, a TCP sender can only learn about a single lost packet per round trip. A selective acknowledgment (SACK) mechanism helps overcome the limitations of multiple lost packets during a TCP transmission.

The receiving TCP sends back SACK advertisements to the sender. The sender can then retransmit only the missing data segments. By default, SACK is enabled on Cisco MDS 9000 Family switches.

To configure SACK, follow these steps:

	Command	Purpose
Step 1	<code>switch(config-profile)# no tcp sack-enable</code>	Disables SACK.
	<code>switch(config-profile)# tcp sack-enable</code>	Enables SACK (default).

## Configuring Window Management

The optimal TCP window size is automatically calculated using the maximum bandwidth parameter, the minimum available bandwidth parameter, and the dynamically measured round-trip time (RTT).



### Note

The configured **round-trip-time** parameter determines the window scaling factor of the TCP connection. This parameter is only an approximation. The measured RTT value overrides the round trip time parameter for window management. If the configured **round-trip-time** is too small compared to the measured RTT, then the link may not be fully utilized due to the window scaling factor being too small.

The **min-available-bandwidth** parameter and the measured RTT together determine the threshold below which TCP aggressively maintains a window size sufficient to transmit at minimum available bandwidth.

The **max-bandwidth-mbps** parameter and the measured RTT together determine the maximum window size.



### Note

Set the maximum bandwidth to match the worst-case bandwidth available on the physical link, considering other traffic that might be going across this link (for example, other FCIP tunnels, WAN limitations). Maximum bandwidth should be the total bandwidth minus all other traffic going across that link.

To configure window management, follow these steps:

	Command	Purpose
Step 1	<code>switch(config-profile)# tcp max-bandwidth-mbps 900 min-available-bandwidth-mbps 300 round-trip-time-ms 10</code>	Configures the maximum available bandwidth at 900 Mbps, the minimum slow start threshold at 300 Mbps, and the RTT at 10 msec.
	<code>switch(config-profile)# no tcp max-bandwidth-mbps 900 min-available-bandwidth-mbps 300 round-trip-time-ms 10</code>	Reverts to the factory defaults. The FCIP defaults are maximum bandwidth at 1 Gbps, minimum available bandwidth at 500 Mbps, and RTT at 1 msec.
	<code>switch(config-profile)# tcp max-bandwidth-kbps 2000 min-available-bandwidth-kbps 2000 round-trip-time-us 200</code>	Configures the maximum available bandwidth at 2000 Kbps, the minimum available bandwidth at 2000 Kbps, and the RTT at 200 msec.

## Configuring Monitoring Congestion

By enabling the congestion window monitoring (CWM) parameter, you allow TCP to monitor congestion after each idle period. The CWM parameter also determines the maximum burst size allowed after an idle period. By default, this parameter is enabled and the default burst size is 50 KB.

The interaction of bandwidth parameters and CWM and the resulting TCP behavior is outlined as follows:

- If the average rate of the Fibre Channel traffic over the preceding RTT is less than the min-available-bandwidth multiplied by the RTT, the entire burst is sent immediately at the min-available-bandwidth rate, provided no TCP drops occur.
- If the average rate of the Fibre Channel traffic is greater than min-available-bandwidth multiplied by the RTT, but less than max-bandwidth multiplied by the RTT, then if the Fibre Channel traffic is transmitted in burst sizes smaller than the configured CWM value the entire burst is sent immediately by FCIP at the max-bandwidth rate.
- If the average rate of the Fibre Channel traffic is larger than the min-available-bandwidth multiplied by the RTT and the burst size is greater than the CWM value, then only a part of the burst is sent immediately. The remainder is sent with the next RTT.

The software uses standard TCP rules to increase the window beyond the one required to maintain the min-available-bandwidth to reach the max-bandwidth.



### Note

The default burst size is 50 KB.



### Tip

We recommend that this feature remain enabled to realize optimal performance. Increasing the CWM burst size can result in more packet drops in the IP network, impacting TCP performance. Only if the IP network has sufficient buffering, try increasing the CWM burst size beyond the default to achieve lower transmit latency.

To change the CWM defaults, follow these steps:

	Command	Purpose
Step 1	<code>switch(config-profile)# no tcp cwm</code>	Disables congestion monitoring.
	<code>switch(config-profile)# tcp cwm</code>	Enables congestion monitoring and sets the burst size to its default size.
	<code>switch(config-profile)# tcp cwm burstsize 30</code>	Changes the burst size to 30 KB. The valid range is from 10 to 100 KB.
	<code>switch(config-profile)# no tcp cwm burstsize 25</code>	Leaves the CWM feature in an enabled state but changes the burst size to its factory default.

## Configuring Estimating Maximum Jitter

Jitter is defined as a variation in the delay of received packets. At the sending side, packets are sent in a continuous stream with the packets spaced evenly apart. Due to network congestion, improper queuing, or configuration errors, this steady stream can become lumpy, or the delay between each packet can vary instead of remaining constant.

You can configure the maximum estimated jitter in microseconds by the packet sender. The estimated variation should not include network queuing delay. By default, this parameter is enabled in Cisco MDS switches when IPS modules or MPS-14/2 modules are present.

The default value is 1000 microseconds for FCIP interfaces.

To configure the maximum jitter value, follow these steps:

	Command	Purpose
Step 1	switch(config-profile)# <b>no tcp max-jitter</b>	Disables delay jitter estimation.
	switch(config-profile)# <b>tcp max-jitter</b>	Enables the delay jitter feature and sets the time to its factory default.
	switch(config-profile)# <b>tcp max-jitter 300</b>	Changes the time to 300 microseconds. The valid range is from 0 to 10000 microseconds.
	switch(config-profile)# <b>no tcp max-jitter 2500</b>	Leaves the delay jitter feature in an enabled state but changes the time to its factory default (1000 microseconds for FCIP interfaces).

## Configuring Buffer Size

You can define the required additional buffering—beyond the normal send window size—that TCP allows before flow controlling the switch's egress path for the FCIP interface. The default FCIP buffer size is 0 KB.



### Note

Use the default if the FCIP traffic is passing through a high throughput WAN link. If you have a mismatch in speed between the Fibre Channel link and the WAN link, then time stamp errors occur in the DMA bridge. In such a situation, you can avoid time stamp errors by increasing the buffer size.

To set the buffer size, follow these steps:

	Command	Purpose
Step 1	switch(config-profile)# <b>tcp send-buffer-size 5000</b>	Configure the advertised buffer size to 5000 KB. The valid range is from 0 to 16384 KB.
	switch(config-profile)# <b>no tcp send-buffer-size 5000</b>	Reverts the switch to its factory default. The default is 0 KB.

## Assigning a Peer IP Address

The basic FCIP configuration uses the peer's IP address to configure the peer information. You can also specify the peer's port number to configure the peer information. If you do not specify a port, the default 3225 port number is used to establish connection. You can specify an IPv4 address or an IPv6 address.

To assign the peer information based on the IPv4 address and port number, follow these steps:

	Command	Purpose
Step 1	switch(config-if)# <b>peer-info ipaddr 10.1.1.1</b>	Assigns an IPv4 address to configure the peer information. Because no port is specified, the default port number (3225) is used.
	switch(config-if)# <b>no peer-info ipaddr 10.10.1.1</b>	Deletes the assigned peer port information.

	Command	Purpose
Step 2	switch(config-if)# <b>peer-info ipaddr 10.1.1.1 port 3000</b>	Assigns the IPv4 address and sets the peer TCP port to 3000. The valid port number range is 0 to 65535.
	switch(config-if)# <b>no peer-info ipaddr 10.1.1.1 port 3000</b>	Deletes the assigned peer port information.
Step 3	switch(config-if)# <b>no shutdown</b>	Enables the interface.

To assign the peer information based on the IPv4 address and port number, follow these steps:

- 
- Step 1** Expand **ISLs** and select **FCIP** in the Physical Attributes pane.  
You see the FCIP profiles and links in the Information pane.  
From Device Manager, choose **IP > FCIP**.  
You see the FCIP dialog box.
- Step 2** Click the **Tunnels** tab. You see the FCIP link information.
- Step 3** Click the **Create Row** icon in DCNM-SAN or the **Create** button in Device Manager.  
You see the FCIP Tunnels dialog box.
- Step 4** Set the ProfileID and TunnelID fields.
- Step 5** Set the RemoteIPAddress and RemoteTCPPort fields for the peer IP address you are configuring.
- Step 6** Check the **PassiveMode** check box if you do not want this end of the link to initiate a TCP connection.
- Step 7** (Optional) Set the **NumTCPCon** field to the number of TCP connections from this FCIP link.
- Step 8** (Optional) Check the **Enable** check box in the Time Stamp section and set the Tolerance field.
- Step 9** (Optional) Set the other fields in this dialog box and click **Create** to create this FCIP link.
- 

To assign the peer information based on the IPv6 address and port number, follow these steps:

	Command	Purpose
Step 1	switch(config-if)# <b>peer-info ipaddr</b>	Assigns an IPv6 address to configure the peer information. Because no port is specified, the default port number (3225) is used.
	switch(config-if)# <b>no peer-info ipaddr 2001:0db8:800:200c::417a</b>	Deletes the assigned peer port information.
Step 2	switch(config-if)# <b>peer-info ipaddr 2001:0db8:800:200c::417a port 3000</b>	Assigns the IPv6 address and sets the peer TCP port to 3000. The valid port number range is 0 to 65535.
	switch(config-if)# <b>no peer-info ipaddr 2001:0db8:800:200c::417a port 3000</b>	Deletes the assigned peer port information.
Step 3	switch(config-if)# <b>ipv6 enable</b>	Enables IPv6 processing on the interface.
Step 4	switch(config-if)# <b>no shutdown</b>	Enables the interface.

To assign the peer information based on the IPv6 address and port number, follow these steps:

- 
- Step 1** From DCNM-SAN, choose **ISLs > FCIP** from the Physical Attributes pane.  
You see the FCIP profiles and links in the Information pane.  
From Device Manager, choose **IP > FCIP**. You see the FCIP dialog box.
- Step 2** Click the **Tunnels** tab. You see the FCIP link information.
- Step 3** Click the **Create Row** icon in DCNM- SAN or the **Create** button in Device Manager.  
You see the FCIP Tunnels dialog box.
- Step 4** Set the ProfileID and TunnelID fields.
- Step 5** Set the RemoteIPAddress and RemoteTCPPort fields for the peer IP address you are configuring.
- Step 6** Check the **PassiveMode** check box if you do not want this end of the link to initiate a TCP connection.
- Step 7** (Optional) Set the **NumTCPCon** field to the number of TCP connections from this FCIP link.
- Step 8** (Optional) Check the **Enable** check box in the Time Stamp section and set the Tolerance field.
- Step 9** (Optional) Set the other fields in this dialog box and click **Create** to create this FCIP link.
- 

## Configuring Active Connections

You can configure the required mode for initiating a TCP connection. By default, the active mode is enabled to actively attempt an IP connection. If you enable the passive mode, the switch does not initiate a TCP connection but waits for the peer to connect to it. By default, the switch tries two TCP connections for each FCIP link.



**Note** Ensure that both ends of the FCIP link are not configured as passive mode. If both ends are configured as passive, the connection is not initiated.

To enable the passive mode, follow these steps:

	Command	Purpose
<b>Step 1</b>	switch(config-if)# <b>passive-mode</b>	Enables passive mode while attempting a TCP connection.
	switch(config-if)# <b>no passive-mode</b>	Reverts to the factory set default of using the active mode while attempting the TCP connection.
<b>Step 2</b>	switch(config-if)# <b>no shutdown</b>	Enables the interface.

## Enabling Time Stamp Control

You can instruct the switch to discard packets that are outside the specified time. When enabled, this feature specifies the time range within which packets can be accepted. If the packet arrived within the range specified by this option, the packet is accepted. Otherwise, it is dropped.

By default, time stamp control is disabled in all switches in the Cisco MDS 9000 Family. If a packet arrives within a 2000 millisecond interval (+ or -2000 msec) from the network time, that packet is accepted.





**Note** The default value for packet acceptance is 2000 microseconds. If the **time-stamp** option is enabled, be sure to configure NTP on both switches (see the *Cisco NX-OS Fundamentals Configuration Guide* for more information).



**Tip** Do not enable time stamp control on an FCIP interface that has tape acceleration or write acceleration configured.

To enable or disable the time stamp control, follow these steps:

	Command	Purpose
<b>Step 1</b>	<code>switch(config-if)# <b>time-stamp</b></code> Please enable NTP with a common time source on both MDS Switches that are on either side of the FCIP link	Enables time stamp checking for received packets with a default acceptable time difference of 2000 msec.
	<code>switch(config-if)# <b>no time-stamp</b></code>	Disables (default) time stamps.
<b>Step 2</b>	<code>switch(config-if)# <b>time-stamp acceptable-diff 4000</b></code>	Configures the packet acceptance time. The valid range is from 500 to 10,000 msec.
	<code>switch(config-if)# <b>no time-stamp acceptable-diff 500</b></code>	Deletes the configured time difference and reverts the difference to factory defaults. The default difference is a 2000-millisecond interval from the network time.
<b>Step 3</b>	<code>switch(config-if)# <b>no shutdown</b></code>	Enables the interface.

## Configuring B Ports

While E ports typically interconnect Fibre Channel switches, some SAN extender devices, such as Cisco's PA-FC-1G Fibre Channel port adapter and the SN 5428-2 storage router, implement a bridge port model to connect geographically dispersed fabrics. This model uses B port as described in the T11 Standard FC-BB-2. B ports bridge Fibre Channel traffic from a local E port to a remote E port without participating in fabric-related activities such as principal switch election, domain ID assignment, and Fibre Channel fabric shortest path first (FSPF) routing. The IPS module and MPS-14/2 module support FCIP links that originate from a B port SAN extender device by implementing the B access ISL protocol on a Gigabit Ethernet interface.

When an FCIP peer is a SAN extender device that only supports Fibre Channel B ports, you need to enable the B port mode for the FCIP link. When a B port is enabled, the E port functionality is also enabled and they coexist. If the B port is disabled, the E port functionality remains enabled.

To enable B port mode, follow these steps:

	Command	Purpose
<b>Step 1</b>	<code>switch(config-if)# <b>bport</b></code>	Enables B port mode on the FCIP interface.
	<code>switch(config-if)# <b>no bport</b></code>	Reverts to E port mode on the FCIP interface (default).
<b>Step 2</b>	<code>switch(config-if)# <b>bport-keepalive</b></code>	Enables the reception of keepalive responses sent by a remote peer.
	<code>switch(config-if)# <b>no bport-keepalive</b></code>	Disables the reception of keepalive responses sent by a remote peer (default).

To enable B port mode, follow these steps:

- 
- Step 1** Choose **ISLs > FCIP** from the Physical Attributes pane.  
You see the FCIP profiles and links in the Information pane.  
From Device Manager, choose **IP > FCIP**. You see the FCIP dialog box.
- Step 2** Click the **Tunnels** tab.  
You see the FCIP link information.
- Step 3** Click the **Create Row** icon in DCNM-SAN or the **Create** button in Device Manager.  
You see the FCIP Tunnels dialog box.
- Step 4** Set the ProfileID and TunnelID fields.
- Step 5** Set the RemoteIPAddress and RemoteTCPPort fields for the peer IP address you are configuring.
- Step 6** Check the **PassiveMode** check box if you do not want this end of the link to initiate a TCP connection.
- Step 7** (Optional) Set the NumTCPCon field to the number of TCP connections from this FCIP link.
- Step 8** Check the **Enable** check box in the B Port section of the dialog box and optionally check the **KeepAlive** check box if you want a response sent to an ELS Echo frame received from the FCIP peer.
- Step 9** (Optional) Set the other fields in this dialog box and click **Create** to create this FCIP link.
- 

## Setting QoS Values

To set the QoS values, follow these steps:

	Command	Purpose
<b>Step 1</b>	switch(config-if)# <b>qos control 24 data 26</b>	Configures the control TCP connection and data connection to mark all packets on that DSCP value. The control and data value ranges from 0 to 63.
	switch(config-if)# <b>no qos control 24 data 26</b>	Reverts the switch to its factory default (marks all control and data packets with DCSP value 0).

## Configuring FCIP Write Acceleration

To enable write acceleration, follow these steps:

	Command	Purpose
<b>Step 1</b>	switch1# <b>config terminal</b> switch1(config)#	Enters configuration mode.
<b>Step 2</b>	switch1(config)# <b>interface fcip 51</b> switch1(config-if)#	Creates an FCIP interface (51).
<b>Step 3</b>	switch1(config-if)# <b>write-accelerator</b>	Enables write acceleration.
	switch1(config-if)# <b>no write-accelerator</b>	Disables write acceleration (default).

You can enable FCIP write acceleration when you create the FCIP link using the FCIP Wizard.

To enable write acceleration on an existing FCIP link, follow these steps:

- 
- Step 1** Choose **ISLs > FCIP** from the Physical Attributes pane on DCNM-SAN. You see the FCIP profiles and links in the Information pane. On Device Manager, choose **IP > FCIP**. You see the FCIP dialog box.
- Step 2** Click the **Tunnels (Advanced)** tab. You see the FCIP link information.
- Step 3** Check or uncheck the **Write Accelerator** check box.
- Step 4** Choose the appropriate compression ratio from the **IP Compression** drop-down list.
- Step 5** Click the **Apply Changes** icon to save these changes.
- 

## Configuring FCIP Tape Acceleration

To enable FCIP tape acceleration, follow these steps:

	Command	Purpose
<b>Step 1</b>	switch1# <b>config terminal</b> switch(config)#	Enters configuration mode.
<b>Step 2</b>	switch1(config)# <b>interface fcip 5</b> switch1(config-if)#	Creates an FCIP interface (5).
<b>Step 3</b>	switch1(config-if)# <b>write-accelerator tape-accelerator</b>	Enables tape acceleration (and write acceleration—if not already enabled).
	switch1(config-if)# <b>write-accelerator tape-accelerator flow-control-buffer-size auto</b>	Enables tape acceleration with automatic flow control (default).
	switch1(config-if)# <b>write-accelerator tape-accelerator flow-control-buffer-size 2048</b>	Sets tape acceleration flow control buffer size to 2 MB.
	switch1(config-if)# <b>no write-accelerator tape-accelerator</b>	Disables tape acceleration (default) and resets the FCIP tunnel.  <b>Note</b> The write acceleration feature remains enabled.
	switch1(config-if)# <b>no write-accelerator tape-accelerator flow-control-buffer-size 2048</b>	Changes the flow control buffer size to the default value of automatic. The tape acceleration and write acceleration features remain enabled. This command does not reset the FCIP tunnel.
	switch1(config-if)# <b>no write-accelerator</b>	Disables both the write acceleration and tape acceleration features and resets the FCIP tunnel.

To enable FCIP tape acceleration, follow these steps:

- 
- Step 1** From DCNM-SAN, choose **ISLs > FCIP** from the Physical Attributes pane.

You see the FCIP profiles and links in the Information pane.

From Device Manager, choose **IP > FCIP**.

You see the FCIP dialog box.

- Step 2** Click the **Tunnels** tab. You see the FCIP link information.
- Step 3** Click the **Create Row** icon in DCNM-SAN or the **Create** button in Device Manager.  
You see the FCIP Tunnels dialog box.
- Step 4** Set the profile ID in the ProfileID field and the tunnel ID in the TunnelID fields.
- Step 5** Set the RemoteIPAddress and RemoteTCPPort fields for the peer IP address you are configuring.
- Step 6** Check the **TapeAccelerator** check box.
- Step 7** (Optional) Set the other fields in this dialog box and click **Create** to create this FCIP link.

## Configuring FCIP Compression

To enable FCIP compression, follow these steps:

	Command	Purpose
<b>Step 1</b>	switch# <b>config terminal</b> switch(config)#	Enters configuration mode.
<b>Step 2</b>	switch(config)# <b>interface fcip 51</b> switch(config-if)#	Creates an FCIP interface (51).
<b>Step 3</b>	switch(config-if)# <b>ip-compression mode3</b>	Enables high compression for low bandwidth links.
	switch(config-if)# <b>ip-compression mode3</b>	Defaults to using the <b>auto</b> mode.
	switch(config-if)# <b>no ip-compression</b>	Disables (default) the FCIP compression feature.

## Verifying FCIP Configuration

To display FCIP configuration information, perform one of the following tasks:

Command	Purpose
<b>show fcip profile 7</b>	Displays FCIP profile configuration information.
<b>show fcip summary</b>	Displays FCIP summary.
<b>show interface fcip 10</b>	Displays the FCIP interface summary of counters for a specified interface.
<b>show interface fcip 4 counters</b>	Displays detailed FCIP interface standard counter information.
<b>show interface fcip 51 description</b>	Displays the FCIP interface description.
<b>show interface fcip 3 counters brief</b>	Displays brief FCIP interface counter information.

Command	Purpose
<code>show fcip host-map 100</code>	Displays exchanges processed by write acceleration at the specified host end FCIP link.
<code>show fcip target-map 100</code>	Displays exchanges processed by write acceleration at the specified target end FCIP link.
<code>show interface fcip 4 counters</code>	Displays detailed FCIP interface write acceleration counter information, if Enabled.
<code>show fcip tape-session summary</code>	Displays information about tapes for which exchanges are tape accelerated.
<code>show fcip tape-session tunnel 1 host-end</code>	Displays information about tapes for which exchanges are tape accelerated at the host-end FCIP link.
<code>show fcip tape-session tunnel 1 targ-end</code>	Displays information about tapes for which exchanges are tape accelerated at the target-end FCIP link.
<code>show interface fcip 1 counters</code>	Displays detailed FCIP interface tape acceleration counter information, if Enabled.
<code>show interface fcip 4 counters</code>	Displays detailed FCIP interface compression information, if Enabled
<code>show ips stats hw-comp all</code>	Displays the compression engine statistics for the MPS-14/2 module.

This section includes the following topics:

- [Displaying FCIP Profile Configuration Information section, page 38-38](#)
- [Displaying FCIP Profile Configuration Information section, page 38-38](#)
- [Displaying FCIP Interface Information section, page 38-39](#)
- [Displaying Write Acceleration Activity Information section, page 38-41](#)
- [Displaying Tape Acceleration Activity Information section, page 38-42](#)
- [Displaying FCIP Compression Information section, page 38-43](#)

## Displaying FCIP Profile Information

### Example 38-1 Displays FCIP Profiles

```
switch# show fcip profile
```

```
-----
ProfileId      Ipaddr         TcpPort
-----
1              10.10.100.150 3225
2              10.10.100.150 3226
40             40.1.1.2       3225
100            100.1.1.2      3225
200            200.1.1.2      3225
```

**Example 38-2 Displays the Specified FCIP Profile Information**

```

switch# show fcip profile 7
FCIP Profile 7
  Internet Address is 47.1.1.2 (interface GigabitEthernet4/7)
  Listen Port is 3225
  TCP parameters
    SACK is disabled
    PMTU discovery is enabled, reset timeout is 3600 sec
    Keep alive is 60 sec
    Minimum retransmission timeout is 300 ms
    Maximum number of re-transmissions is 4
    Send buffer size is 0 KB
    Maximum allowed bandwidth is 1000000 kbps
    Minimum available bandwidth is 15000 kbps
    Estimated round trip time is 1000 usec

```

To verify the FCIP interfaces and Extended Link Protocol (ELP) on Device Manager, follow these steps:

- 
- Step 1** Make sure you are connected to a switch that contains an IPS module.
  - Step 2** Select **FCIP** from the Interface menu.
  - Step 3** Click the **Interfaces** tab if it is not already selected. You see the FCIP Interfaces dialog box.
  - Step 4** Click the **ELP** tab if it is not already selected. You see the FCIP ELP dialog box.
- 

## Displaying FCIP Profile Configuration Information

Use the `show fcip profile` command to display FCIP profile configuration information.

```

switch# show fcip profile 7
FCIP Profile 7
  Internet Address is 47.1.1.2 (interface GigabitEthernet4/7)
  Listen Port is 3225
  TCP parameters
    SACK is disabled
    PMTU discovery is enabled, reset timeout is 3600 sec
    Keep alive is 60 sec
    Minimum retransmission timeout is 300 ms
    Maximum number of re-transmissions is 4
    Send buffer size is 0 KB
    Maximum allowed bandwidth is 1000000 kbps
    Minimum available bandwidth is 15000 kbps
    Estimated round trip time is 1000 usec

```

## Displaying FCIP Profile Configuration Information

Use the `show fcip profile` command to display FCIP profile configuration information.

```

switch# show fcip profile 7
FCIP Profile 7
  Internet Address is 47.1.1.2 (interface GigabitEthernet4/7)
  Listen Port is 3225
  TCP parameters
    SACK is disabled
    PMTU discovery is enabled, reset timeout is 3600 sec

```

```

Keep alive is 60 sec
Minimum retransmission timeout is 300 ms
Maximum number of re-transmissions is 4
Send buffer size is 0 KB
Maximum allowed bandwidth is 1000000 kbps
Minimum available bandwidth is 15000 kbps
Estimated round trip time is 1000 usec

```

## Displaying FCIP Interface Information

Use the **show interface** commands to view the summary, counter, description, and status of the FCIP link. Use the output of these commands to verify the administration mode, the interface status, the operational mode, the related VSAN ID, and the profile used. See [Example 38-3](#) through [Example 38-6](#).

### Example 38-3 Displays the FCIP Summary

```

switch# show fcip summary
-----
Tun prof   Eth-if   peer-ip   Status T W T Enc Comp Bandwidth  rtt
          E A A
-----
10  91    GE4/1    3.3.3.2   UP    N N N N   N   1000M/1000M  2000
11  11    GE3/1.601 30.1.1.2  DOWN  N N N N   N   1000M/500M   1000
12  12    GE3/1.602 30.1.2.2  DOWN  N N N N   N   1000M/500M   1000
13  0     0.0.0.0   0.0.0.0   DOWN  N N N N   N
14  0     0.0.0.0   0.0.0.0   DOWN  N N N N   N
15  0     0.0.0.0   0.0.0.0   DOWN  N N N N   N
16  0     0.0.0.0   0.0.0.0   DOWN  N N N N   N
17  0     0.0.0.0   0.0.0.0   DOWN  N N N N   N
18  0     0.0.0.0   0.0.0.0   DOWN  N N N N   N
19  0     0.0.0.0   0.0.0.0   DOWN  N N N N   N
20  92    GE4/2    3.3.3.1   UP    N N N N   N   1000M/1000M  2000
21  21    GE3/2.601 30.1.1.1  DOWN  N N N N   N   1000M/500M   1000
22  22    GE3/2.602 30.1.2.1  DOWN  N N N N   N   1000M/500M   1000

```

### Example 38-4 Displays the FCIP Interface Summary of Counters for a Specified Interface

```

switch# show interface fcip 10
fcip10 is up
  Hardware is GigabitEthernet
  Port WWN is 20:d0:00:0c:85:90:3e:80
  Peer port WWN is 20:d4:00:0c:85:90:3e:80
  Admin port mode is auto, trunk mode is on
  Port mode is E, FCID is 0x720000
  Port vsan is 91
  Speed is 1 Gbps
  Using Profile id 91 (interface GigabitEthernet4/1)
  Peer Information
    Peer Internet address is 3.3.3.2 and port is 3225
  Write acceleration mode is off
  Tape acceleration mode is off
  Tape Accelerator flow control buffer size is 256 KBytes
  IP Compression is disabled
  Special Frame is disabled
  Maximum number of TCP connections is 2
  Time Stamp is disabled
  QOS control code point is 0
  QOS data code point is 0

```

```

B-port mode disabled
TCP Connection Information
  50529025 Active TCP connections
    Local 0.0.0.7:6, Remote 0.0.0.200:0
    0 host table full 0 target entries in use
    211419104 Attempts for active connections, 1500 close of connections
TCP Parameters
  Path MTU 124160 bytes
  Current retransmission timeout is 124160 ms
  Round trip time: Smoothed 127829 ms, Variance: 14336
  Advertized window: Current: 0 KB, Maximum: 14 KB, Scale: 14336
  Peer receive window: Current: 0 KB, Maximum: 0 KB, Scale: 51200
  Congestion window: Current: 14 KB, Slow start threshold: 49344 KB
  Current Send Buffer Size: 206463 KB, Requested Send Buffer Size: 429496728
3 KB
  CWM Burst Size: 49344 KB
  5 minutes input rate 491913172779207224 bits/sec, 61489146597400903 bytes/sec, 0 frames/sec
  5 minutes output rate 491913175298921320 bits/sec, 61489146912365165 bytes/sec, 14316551 frames/sec
    5702 frames input, 482288 bytes
      5697 Class F frames input, 481736 bytes
      5 Class 2/3 frames input, 552 bytes
      0 Reass frames
      0 Error frames timestamp error 0
    5704 frames output, 482868 bytes
      5698 Class F frames output, 482216 bytes
      6 Class 2/3 frames output, 652 bytes
      0 Error frames

```

### Example 38-5 Displays Detailed FCIP Interface Standard Counter Information

```

switch# show interface fcip 4 counters
fcip4
TCP Connection Information
...
  5 minutes input rate 207518944 bits/sec, 25939868 bytes/sec, 12471 frames/sec
  5 minutes output rate 205340328 bits/sec, 25667541 bytes/sec, 12340 frames/sec
  2239902537 frames input, 4658960377152 bytes
    18484 Class F frames input, 1558712 bytes
    2239884053 Class 2/3 frames input, 4658958818440 bytes
    0 Reass frames
    0 Error frames timestamp error 0
  2215051484 frames output, 4607270186816 bytes
    18484 Class F frames output, 1558616 bytes
    2215033000 Class 2/3 frames output, 4607268628200 bytes
    0 Error frames

```

### Example 38-6 Displays the FCIP Interface Description

```

switch# show interface fcip 51 description
FCIP51
  Sample FCIP interface

```

The txbytes is the amount of data before compression. After compression, the compressed txbytes bytes are transmitted with compression and the uncompressed txbytes bytes are transmitted without compression. A packet may be transmitted without compression, if it becomes bigger after compression (see [Example 38-7](#)).



**Example 38-7 Displays Brief FCIP Interface Counter Information**

```
switch# show interface fcip 3 counters brief
-----
Interface          Input (rate is 5 min avg)      Output (rate is 5 min avg)
-----
                   Rate      Total                               Rate      Total
                   Mbits/s  Frames                               Mbits/s  Frames
-----
fcip3              9         0                                   9         0
-----
```

## Displaying Write Acceleration Activity Information

[Example 38-8](#) through [Example 38-10](#) show how to display information about write acceleration activity.

**Example 38-8 Displays Exchanges Processed by Write Acceleration at the Specified Host End FCIP Link**

```
switch# show fcip host-map 100

MAP TABLE (5 entries TOTAL entries 5)

OXID | RXID | HOST FCID | TARG FCID | VSAN | Index
-----+-----+-----+-----+-----+-----
0xd490 | 0xffff | 0x00690400 | 0x00620426 | 0x0005 | 0x0000321f
0xd4a8 | 0xffff | 0x00690400 | 0x00620426 | 0x0005 | 0x00003220
0xd4c0 | 0xffff | 0x00690400 | 0x00620426 | 0x0005 | 0x00003221
0xd4d8 | 0xffff | 0x00690400 | 0x00620426 | 0x0005 | 0x00003222
0xd4f0 | 0xffff | 0x00690400 | 0x00620426 | 0x0005 | 0x00003223
```

**Example 38-9 Displays Exchanges Processed by Write Acceleration at the Specified Target End FCIP Link**

```
switch# show fcip target-map 100

MAP TABLE (3 entries TOTAL entries 3)

OXID | RXID | HOST FCID | TARG FCID | VSAN | Index
-----+-----+-----+-----+-----+-----
0xc308 | 0xffff | 0x00690400 | 0x00620426 | 0x0005 | 0x00003364
0xc320 | 0xffff | 0x00690400 | 0x00620426 | 0x0005 | 0x00003365
0xc338 | 0xffff | 0x00690400 | 0x00620426 | 0x0005 | 0x00003366
```

**Example 38-10 Displays Detailed FCIP Interface Write Acceleration Counter Information, if Enabled**

```
switch# show interface fcip 4 counters
fcip4
  TCP Connection Information
  ...
  Write Accelerator statistics
    6091 packets in      5994 packets out
    0 frames dropped    0 CRC errors
    0 rejected due to table full
    0 ABTS sent         0 ABTS received
    0 tunnel synchronization errors
```

```

37 writes recd      37 XFER_RDY sent (host)
0 XFER_RDY rcvd (target)
37 XFER_RDY rcvd (host)
0 XFER_RDY not proxied due to flow control (host)
0 bytes queued for sending
0 estimated bytes queued on the other side for sending
0 times TCP flow ctrl(target)
0 bytes current TCP flow ctrl(target)

```

## Displaying Tape Acceleration Activity Information

[Example 38-11](#) through [Example 38-14](#) show how to display information about tape acceleration activity.

### **Example 38-11 Displays Information About Tapes for Which Exchanges are Tape Accelerated**

```

switch# show fcip tape-session summary
-----
Tunnel      Tunnel End      tape-fcid      lun            vsan           num-hosts
-----
1           host-end        EF0001         0x0002         0001           1
2           targ-end       650001         0x0003         0010           2
-----

```

### **Example 38-12 Displays Information About Tapes for Which Exchanges are Tape Accelerated at the Host-End FCIP Link**

```

switch# show fcip tape-session tunnel 1 host-end

HOST TAPE SESSIONS (1 entries TOTAL entries 1)

Host Tape Session #1
FCID 0xEF0001, VSAN 1, LUN 0x0002
Outstanding Exchanges 0, Outstanding Writes 0
Target End Write Buffering 0 Bytes, Auto Max Writes 3
Flags 0x0, FSM state Non TA Mode
Cached Reads 0
First index 0xffffffff7, Last index 0xffffffff7, RA index 0x0000f99a
Current index=0xfffffff7e, Els Oxid 0xfff7
Hosts 1
FCID 0x770100

```

### **Example 38-13 Displays Information About Tapes for Which Exchanges are Tape Accelerated at the Target-End FCIP Link**

```

switch# show fcip tape-session tunnel 1 targ-end

TARGET TAPE SESSIONS (1 entries TOTAL entries 1)

Target Tape Session #1
FCID 0xEF0001, VSAN 1, LUN 0x0002
Outstanding Exchanges 0, Outstanding Writes 0
Host End Read Buffering 0 Bytes, Auto Max Read Blocks 3
Flags 0x800, Timer Flags 0x0
FSM State Default, Prev FSM State Bypass
Relative Block offset 0

```

```

First index 0xffffffff7, Last index 0xffffffff7, RA index 0x0000f99a
Current index=0xfffffffffe, Els Oxid 0xfff7
Hosts 1
FCID 0x770100

```

**Example 38-14 Displays Detailed FCIP Interface Tape Acceleration Counter Information, if Enabled**

```

switch# show interface fcip 1 counters
fcip1
TCP Connection Information
....
Tape Accelerator statistics
  1 Host Tape Sessions
  0 Target Tape Sessions
Host End statistics
  Received 31521 writes, 31521 good status, 0 bad status
  Sent 31517 proxy status, 4 not proxied
  Estimated Write buffer 0 writes 0 bytes
  Received 31526 reads, 10 status
  Sent 31516 cached reads
  Read buffer 0 reads, 0 bytes
Host End error recovery statistics
  Sent REC 0, received 0 ACCs, 0 Rejects
  Sent ABTS 0, received 0 ACCs
  Received 31 RECs, sent 2 ACCs, 0 Rejects
  Received 0 SRRs, sent 0 ACCs, 0 Rejects
  Received 0 TMF commands
Target End statistics
  Received 0 writes, 0 good status, 0 bad status
  Write Buffer 0 writes, 0 bytes
  Received 0 reads, 0 good status, 0 bad status
  Sent 0 reads, received 0 good status, 0 bad status
  Sent 0 rewinds, received 0 good status, 0 bad status
  Estimated Read buffer 0 reads, 0 bytes
Target End error recovery statistics
  Sent REC 0, received 0 ACCs, 0 Rejects
  Sent SRR 0, received 0 ACCs
  Sent ABTS 0, received 0 ACCs
  Received 0 TMF commands

```

## Displaying FCIP Compression Information

[Example 38-15](#) and [Example 38-16](#) show how to display FCIP compression information.

**Example 38-15 Displays Detailed FCIP Interface Compression Information, if Enabled**

```

switch# show interface fcip 4 counters
fcip4
TCP Connection Information
...
IP compression statistics
  208752 rxbytes, 208752 rxbytes compressed
  5143584 txbytes
    0 txbytes compressed, 5143584 txbytes non-compressed
  1.00 tx compression ratio

```

**Example 38-16 Displays the Compression Engine Statistics for the MPS-14/2 Module**

```

switch# show ips stats hw-comp all
HW Compression Statistics for port GigabitEthernet3/1
  Compression stats
    0 input bytes, 0 output compressed bytes
    0 input pkts, 0 output compressed pkts
  Decompression stats
    0 input compressed bytes, 0 output bytes
    0 input compressed pkts, 0 output pkts
  Passthru stats
    0 input bytes, 0 output bytes
    0 input pkts, 0 output pkts
  Miscellaneous stats
    32 min input pktlen, 32 max input pktlen
    28 min output pktlen, 28 max output pktlen
    0 len mismatch, 0 incomplete processing
    0 invalid result, 0 invalid session drop
    0 comp expanded
HW Compression Statistics for port GigabitEthernet3/2
  Compression stats
    0 input bytes, 0 output compressed bytes
    0 input pkts, 0 output compressed pkts
  Decompression stats
    0 input compressed bytes, 0 output bytes
    0 input compressed pkts, 0 output pkts
  Passthru stats
    0 input bytes, 0 output bytes
    0 input pkts, 0 output pkts
  Miscellaneous stats
    32 min input pktlen, 32 max input pktlen
    28 min output pktlen, 28 max output pktlen
    0 len mismatch, 0 incomplete processing
    0 invalid result, 0 invalid session drop
    0 comp expanded

```

## Field Descriptions for FCIP

This section describes the field description for FCIP.

### FCIP Monitor

Field	Description
C3 Rx Bytes	The number of incoming bytes of data traffic.
C3 Tx Bytes	The number of outgoing bytes of data traffic.
CF Rx Bytes	The number of incoming bytes of control traffic.
CF Tx Bytes	The number of outgoing bytes of control traffic.
Rx Error	The number of inbound frames that contained errors preventing them from being deliverable to a higher-layer protocol.
Tx Error	The number of outbound frames that could not be transmitted because of errors.

Field	Description
RxDiscard	The number of inbound frames that were chosen to be discarded even though no errors had been detected to prevent their being deliverable to a higher-layer protocol.
TxDiscard	The number of outbound frames that were chosen to be discarded even though no errors had been detected to prevent their being transmitted.

## FCIP Interfaces

Field	Description
Description	Alias name for the interface as specified by a network manager.
PortVsan	The VSAN ID to which this interface is statically assigned.
Oper	The current operating mode of the port.
AutoChannelCreate	If checked, automatically create the PortChannel.
Admin	The desired state of the interface.
Oper	The current operational state of the interface.
FailureCause	The cause of current operational state of the port.
LastChange	When the interface entered its current operational state. If the current state was entered prior to the last re-initialization of the local network management subsystem, then this value is N/A.
FICON Address	The FICON port address of this port.

## FCIP Interfaces Trunk Failures

Field	Description
FailureCause	An entry is shown in this table if there is an error in the trunk status for the given VSAN.

## FCIP FICON Configuration

Field	Description
Interface	This is a unique value that identifies the interface on this FCIP device to which this link pertains.
VSAN List Admin	This is the list of VSANs (in the range 1 through 2047) for which FICON tape acceleration is configured. Only VSANs with a cficonVsanEntry of CISCO-FICON-MIB present can be configured for FICON tape acceleration.
VSAN List Oper	This is the list of VSANs (in the range 1 through 2047) for which FICON tape acceleration is operationally ON.

## FCIP Profiles

Field	Description
IP Address	The Internet address for this entity.
Port	A TCP port other than the FCIP well-known port on which the FCIP entity listens for new TCP connection requests.
SACK	Whether the TCP Selective Acknowledgement Option is enabled to allow the receiver end to acknowledge multiple lost frames in a single ACK, enabling faster recovery.
KeepAlive (s)	The TCP keep-alive timeout for all links within this entity.
ReTrans MinTimeout (ms)	The TCP minimum retransmit timeout for all the links on this entity.
ReTrans Max	The maximum number of times that the same item of data will be retransmitted over a TCP connection. If delivery is not acknowledged after this number of retransmissions then the connection is terminated.
Send BufSize (KB)	The aggregate TCP send window for all TCP connections on all Links within this entity. This value is used for egress flow control. When the aggregate of the data queued on all connections within this entity reaches this value, the sender is flow controlled.
Bandwidth Max (Kb)	This is an estimate of the bandwidth of the network pipe used for the B-D product computation, which lets us derive the TCP receive window to advertise.
Bandwidth Min (Kb)	The minimum available bandwidth for the TCP connections on the links within this entity.
Est Round Trip Time (us)	This is an estimate of the round trip delay of the network pipe used for the B-D product computation, which lets us derive the TCP receive window to advertise.
PMTU Enable	The path MTU discovery.
PMTU ResetTimeout (sec)	The time interval for which the discovered path MTU is valid, before MSS reverts back to the negotiated TCP value.
CWM Enable	If true, congestion window monitoring is enabled.
CWM BurstSize (KB)	The maximum burst sent after a TCP sender idle period.
Max Jitter	The maximum delay variation (not due to congestion) that can be experienced by TCP connections on this interface.

## FCIP Tunnels

Field	Description
Interface	This identifies the interface on this FCIP device to which this link pertains.
Attached	The interface on which this FCIP link was initiated.
B Port Enable	If true, the B port mode is enabled on the local FCIP link.

Field	Description
B Port KeepAlive	If true, a message is sent in response to a (Fibre Channel) ELS Echo frame received from the peer. Some B Port implementations use ELS Echo request/response frames as link keep alive.
Remote IP Address	The Internet address for the remote FCIP entity.
Remote TCP Port	The remote TCP port to which the local FCIP entity will connect if and when it initiates a TCP connection setup for this link.
Spc Frames Enable	If true, the TCP active opener initiates FCIP special frames and the TCP passive opener responds to the FCIP special frames. If it is set to false, the FCIP special frames are neither generated nor responded to.
Spc Frames RemoteWWN	The world wide name of the remote FC fabric entity. If this is a zero length string then this link would accept connections from any remote entity. If a WWN is specified then this link would accept connections from a remote entity with this WWN.
Spc Frames Remote Profile Id	The remote FCIP entity's identifier.

## FCIP Tunnels (Advanced)

Field	Description
Interface	The interface on which this FCIP link was initiated.
Timestamp Enable	If true, the timestamp in FCIP header is to be checked.
Timestamp Tolerance	The accepted time difference between the local time and the timestamp value received in the FCIP header. By default this value will be EDTOV/2. EDTOV is the Error_Detect_Timeout Value used for Fibre channel Ports as the timeout value for detecting an error condition.
Number Connections	The maximum number of TCP connections allowed on this link.
Passive	If false, this link endpoint actively tries to connect to the peer. If true, the link endpoint waits for the peer to connect to it.
QoS Control	The value to be set for the ToS field in IP header for the TCP control connection.
QoS Data	The value to be set for the ToS field in IP header for the TCP Data connection.
IP Compression	What algorithm is used, if any.
Write Accelerator	The write accelerator allows for enhancing SCSI write performance.
Tape Accelerator	If true, the tape accelerator (which allows for enhancing Tape write performance) is enabled.
Tape Accelerator Oper	Write acceleration is enabled for the FCIP link.
TapeRead Accelerator Oper	Enabled automatically when the tape accelerator Oper is active.
FlowCtrlBufSize Tape (KB)	The size of the flow control buffer (64 K to 32 MB). If set to 0, flow control buffer size is calculated automatically by the switch.
IPSec	Indicates whether the IP security has been turned on or off on this link.

Field	Description
XRC Emulator	Check to enable XRC emulator. It is disabled by default.
XRC Emulator Oper	Indicates the operational status of XRC emulator.

## FCIP Tunnels (FICON TA)

Field	Description
Interface	A unique value that identifies the interface on this FCIP device to which this link pertains.
VSAN List Admin	The list of VSANs for which FICON tape acceleration is configured.
VSAN List Oper	The list of VSANs for which FICON tape acceleration is operationally on.

## FCIP Tunnels Statistics

Field	Description
Interface	A unique value that identifies the interface on this FCIP device to which this link pertains.
Rx IPCompRatio	The IP compression ratio for received packets on the FCIP device. The value of this object will be presented as a floating point number with two digits after the decimal point.
Tx IPCompRatio	The IP compression ratio for transmitted packets on the FCIP device. The value of this object will be presented as a floating point number with two digits after the decimal point.

## FCIP XRC Statistics

Field	Description
ProfileId	Unique ID of the profile.
Interface	Name of the interface.
RRSAccelerated	The number of read record set IUs accelerated.
RRSForwarded	Number of read record set IUs forwarded.
BusyStatus	Number of instances of busy status received from the control unit.
UnitCheckStatus	Number of instances of unit check status received from the control unit.
cfmFcipLinkExtXRCEStats SelReset	Number of selective resets processed.
BufferAllocErrors	Number of buffer allocation errors.



# Additional References

For additional information related to implementing FCIPs, see the following section:

- [Related Document section, page 38-49](#)
- [Standards section, page 38-49](#)
- [RFCs section, page 38-49](#)
- [MIBs section, page 38-49](#)

## Related Document

Related Topic	Document Title
Cisco MDS 9000 Family Command Reference	<i>Cisco MDS 9000 Family Command Reference, Release 5.0(1a)</i>

## Standards

Standard	Title
No new or modified standards are supported by this feature, and support for existing standards has not been modified by this feature.	–

## RFCs

RFC	Title
No new or modified RFCs are supported by this feature, and support for existing RFCs has not been modified.	–

## MIBs

MIBs	MIBs Link
<ul style="list-style-type: none"> <li>• CISCO-FCIP-MGMT-EXT-MIB</li> <li>• CISCO-FCIP-MGMT-MIB</li> <li>• CISCO-FEATURE-CONTROL-MIB</li> </ul>	To locate and download MIBs, go to the following URL: <a href="http://www.cisco.com/dc-os/mibs">http://www.cisco.com/dc-os/mibs</a>

# Feature History for FCIP

Table 38-7 lists the release history for this feature. Only features that were introduced or modified in 5.0(1a) or a later release appear in the table.

**Table 38-7**      *Feature History for FCIP*

<b>Feature Name</b>	<b>Releases</b>	<b>Feature Information</b>
Configuring FCIP	5.0(1a)	FCIP Compression