



# Cisco ME 3400E Ethernet Access Switch Software Configuration Guide

Cisco IOS Release 12.2(55)SE

August 2010

Americas Headquarters  
Cisco Systems, Inc.  
170 West Tasman Drive  
San Jose, CA 95134-1706  
USA  
<http://www.cisco.com>  
Tel: 408 526-4000  
800 553-NETS (6387)  
Fax: 408 527-0883

Text Part Number: OL-16485-04

THE SPECIFICATIONS AND INFORMATION REGARDING THE PRODUCTS IN THIS MANUAL ARE SUBJECT TO CHANGE WITHOUT NOTICE. ALL STATEMENTS, INFORMATION, AND RECOMMENDATIONS IN THIS MANUAL ARE BELIEVED TO BE ACCURATE BUT ARE PRESENTED WITHOUT WARRANTY OF ANY KIND, EXPRESS OR IMPLIED. USERS MUST TAKE FULL RESPONSIBILITY FOR THEIR APPLICATION OF ANY PRODUCTS.

THE SOFTWARE LICENSE AND LIMITED WARRANTY FOR THE ACCOMPANYING PRODUCT ARE SET FORTH IN THE INFORMATION PACKET THAT SHIPPED WITH THE PRODUCT AND ARE INCORPORATED HEREIN BY THIS REFERENCE. IF YOU ARE UNABLE TO LOCATE THE SOFTWARE LICENSE OR LIMITED WARRANTY, CONTACT YOUR CISCO REPRESENTATIVE FOR A COPY.

The Cisco implementation of TCP header compression is an adaptation of a program developed by the University of California, Berkeley (UCB) as part of UCB's public domain version of the UNIX operating system. All rights reserved. Copyright © 1981, Regents of the University of California.

NOTWITHSTANDING ANY OTHER WARRANTY HEREIN, ALL DOCUMENT FILES AND SOFTWARE OF THESE SUPPLIERS ARE PROVIDED "AS IS" WITH ALL FAULTS. CISCO AND THE ABOVE-NAMED SUPPLIERS DISCLAIM ALL WARRANTIES, EXPRESSED OR IMPLIED, INCLUDING, WITHOUT LIMITATION, THOSE OF MERCHANTABILITY, FITNESS FOR A PARTICULAR PURPOSE AND NONINFRINGEMENT OR ARISING FROM A COURSE OF DEALING, USAGE, OR TRADE PRACTICE.

IN NO EVENT SHALL CISCO OR ITS SUPPLIERS BE LIABLE FOR ANY INDIRECT, SPECIAL, CONSEQUENTIAL, OR INCIDENTAL DAMAGES, INCLUDING, WITHOUT LIMITATION, LOST PROFITS OR LOSS OR DAMAGE TO DATA ARISING OUT OF THE USE OR INABILITY TO USE THIS MANUAL, EVEN IF CISCO OR ITS SUPPLIERS HAVE BEEN ADVISED OF THE POSSIBILITY OF SUCH DAMAGES.

Cisco and the Cisco Logo are trademarks of Cisco Systems, Inc. and/or its affiliates in the U.S. and other countries. A listing of Cisco's trademarks can be found at [www.cisco.com/go/trademarks](http://www.cisco.com/go/trademarks). Third party trademarks mentioned are the property of their respective owners. The use of the word partner does not imply a partnership relationship between Cisco and any other company. (1005R)

*Cisco ME 3400E Ethernet Access Switch Software Configuration Guide*  
© 2010 Cisco Systems, Inc. All rights reserved.



# CONTENTS

## **Preface** xliii

Audience xliiii

Purpose xliiii

Conventions xliv

Related Publications xliv

Obtaining Documentation and Submitting a Service Request xlv

---

## CHAPTER 1

### **Overview** 1-1

Features 1-1

Performance Features 1-2

Management Options 1-3

Manageability Features 1-3

Availability Features 1-5

VLAN Features 1-6

Security Features 1-7

Subscriber Security 1-7

Switch Security 1-7

Network Security 1-8

Quality of Service and Class of Service Features 1-9

Layer 2 Virtual Private Network Services 1-9

Layer 3 Features 1-10

Layer 3 VPN Services 1-11

Monitoring Features 1-11

Default Settings After Initial Switch Configuration 1-12

Network Configuration Examples 1-15

Multidwelling or Ethernet-to-the-Subscriber Network 1-15

Layer 2 VPN Application 1-16

Multi-VRF CE Application 1-17

Where to Go Next 1-18

---

## CHAPTER 2

### **Using the Command-Line Interface** 2-1

Understanding Command Modes 2-1

Understanding the Help System 2-3

Understanding Abbreviated Commands 2-3

- Understanding no and default Forms of Commands 2-4
- Understanding CLI Error Messages 2-4
- Using Command History 2-4
  - Changing the Command History Buffer Size 2-5
  - Recalling Commands 2-5
  - Disabling the Command History Feature 2-5
- Using Editing Features 2-6
  - Enabling and Disabling Editing Features 2-6
  - Editing Commands through Keystrokes 2-6
  - Editing Command Lines that Wrap 2-8
- Searching and Filtering Output of show and more Commands 2-8
- Accessing the CLI 2-9
  - Accessing the CLI through a Console Connection or through Telnet 2-9

CHAPTER 3

**Assigning the Switch IP Address and Default Gateway 3-1**

- Understanding the Boot Process 3-1
- Assigning Switch Information 3-2
  - Default Switch Information 3-3
  - Understanding DHCP-Based Autoconfiguration 3-3
    - DHCP Client Request Process 3-3
  - Understanding DHCP-based Autoconfiguration and Image Update 3-5
    - DHCP Autoconfiguration 3-5
    - DHCP Auto-Image Update 3-5
    - Limitations and Restrictions 3-5
  - Configuring DHCP-Based Autoconfiguration 3-6
    - DHCP Server Configuration Guidelines 3-6
    - Configuring the TFTP Server 3-7
    - Configuring the DNS 3-7
    - Configuring the Relay Device 3-8
    - Obtaining Configuration Files 3-8
    - Example Configuration 3-9
  - Configuring the DHCP Auto Configuration and Image Update Features 3-11
    - Configuring DHCP Autoconfiguration (Only Configuration File) 3-11
    - Configuring DHCP Auto-Image Update (Configuration File and Image) 3-12
    - Configuring the Client 3-13
  - Manually Assigning IP Information 3-14
- Checking and Saving the Running Configuration 3-15
  - Configuring the NVRAM Buffer Size 3-17
- Modifying the Startup Configuration 3-18

Default Boot Configuration	3-19
Automatically Downloading a Configuration File	3-19
Specifying the Filename to Read and Write the System Configuration	3-19
Booting Manually	3-20
Booting a Specific Software Image	3-20
Controlling Environment Variables	3-21
Scheduling a Reload of the Software Image	3-23
Configuring a Scheduled Reload	3-23
Displaying Scheduled Reload Information	3-24

## CHAPTER 4

<b>Configuring Cisco IOS Configuration Engine</b>	<b>4-1</b>
Understanding Cisco Configuration Engine Software	4-1
Configuration Service	4-2
Event Service	4-3
NameSpace Mapper	4-3
What You Should Know About the CNS IDs and Device Hostnames	4-3
ConfigID	4-3
DeviceID	4-4
Hostname and DeviceID	4-4
Using Hostname, DeviceID, and ConfigID	4-4
Understanding Cisco IOS Agents	4-5
Initial Configuration	4-5
Incremental (Partial) Configuration	4-6
Synchronized Configuration	4-6
Configuring Cisco IOS Agents	4-6
Enabling Automated CNS Configuration	4-6
Enabling the CNS Event Agent	4-7
Enabling the Cisco IOS CNS Agent	4-9
Enabling an Initial Configuration	4-9
Enabling a Partial Configuration	4-13
Upgrading Devices with Cisco IOS Image Agent	4-14
Prerequisites for the CNS Image Agent	4-14
Restrictions for the CNS Image Agent	4-14
Displaying CNS Configuration	4-15

## CHAPTER 5

<b>Administering the Switch</b>	<b>5-1</b>
Managing the System Time and Date	5-1
Understanding the System Clock	5-2
Understanding Network Time Protocol	5-2

Configuring NTP	5-4
Default NTP Configuration	5-4
Configuring NTP Authentication	5-4
Configuring NTP Associations	5-5
Configuring NTP Broadcast Service	5-6
Configuring NTP Access Restrictions	5-8
Configuring the Source IP Address for NTP Packets	5-10
Displaying the NTP Configuration	5-11
Configuring Time and Date Manually	5-11
Setting the System Clock	5-11
Displaying the Time and Date Configuration	5-12
Configuring the Time Zone	5-12
Configuring Summer Time (Daylight Saving Time)	5-13
Configuring a System Name and Prompt	5-14
Default System Name and Prompt Configuration	5-15
Configuring a System Name	5-15
Understanding DNS	5-15
Default DNS Configuration	5-16
Setting Up DNS	5-16
Displaying the DNS Configuration	5-17
Creating a Banner	5-17
Default Banner Configuration	5-17
Configuring a Message-of-the-Day Login Banner	5-18
Configuring a Login Banner	5-19
Managing the MAC Address Table	5-19
Building the Address Table	5-20
MAC Addresses and VLANs	5-20
Default MAC Address Table Configuration	5-21
Changing the Address Aging Time	5-21
Removing Dynamic Address Entries	5-22
Configuring MAC Address Change Notification Traps	5-22
Configuring MAC Address Move Notification Traps	5-24
Configuring MAC Threshold Notification Traps	5-26
Adding and Removing Static Address Entries	5-27
Configuring Unicast MAC Address Filtering	5-28
Disabling MAC Address Learning on a VLAN	5-29
Displaying Address Table Entries	5-31
Managing the ARP Table	5-31

## CHAPTER 6

**Configuring the Switch Alarms** 6-1

- Configuring External Alarms 6-1
- Configuring Power Supply Alarms 6-3
  - Power-Supply-Missing Alarms 6-4
  - DC-Power-Supply Feed Alarms 6-4

## CHAPTER 7

**Configuring SDM Templates** 7-1

- Understanding the SDM Templates 7-1
  - Dual IPv4 and IPv6 SDM Templates 7-2
- Configuring the Switch SDM Template 7-3
  - Default SDM Template 7-3
  - SDM Template Configuration Guidelines 7-4
  - Setting the SDM Template 7-4
- Displaying the SDM Templates 7-5

## CHAPTER 8

**Configuring Switch-Based Authentication** 8-1

- Preventing Unauthorized Access to Your Switch 8-1
- Protecting Access to Privileged EXEC Commands 8-2
  - Default Password and Privilege Level Configuration 8-2
  - Setting or Changing a Static Enable Password 8-3
  - Protecting Enable and Enable Secret Passwords with Encryption 8-3
  - Disabling Password Recovery 8-5
  - Setting a Telnet Password for a Terminal Line 8-6
  - Configuring Username and Password Pairs 8-6
  - Configuring Multiple Privilege Levels 8-7
    - Setting the Privilege Level for a Command 8-8
    - Changing the Default Privilege Level for Lines 8-9
    - Logging into and Exiting a Privilege Level 8-9
- Controlling Switch Access with TACACS+ 8-10
  - Understanding TACACS+ 8-10
  - TACACS+ Operation 8-12
  - Configuring TACACS+ 8-12
    - Default TACACS+ Configuration 8-13
    - Identifying the TACACS+ Server Host and Setting the Authentication Key 8-13
    - Configuring TACACS+ Login Authentication 8-14
    - Configuring TACACS+ Authorization for Privileged EXEC Access and Network Services 8-16
    - Starting TACACS+ Accounting 8-17
    - Establishing a Session with a Router if the AAA Server is Unreachable 8-17

- Displaying the TACACS+ Configuration 8-17
- Controlling Switch Access with RADIUS 8-18
  - Understanding RADIUS 8-18
  - RADIUS Operation 8-19
  - Configuring RADIUS 8-20
    - Default RADIUS Configuration 8-20
    - Identifying the RADIUS Server Host 8-20
    - Configuring RADIUS Login Authentication 8-23
    - Defining AAA Server Groups 8-25
    - Configuring RADIUS Authorization for User Privileged Access and Network Services 8-27
    - Starting RADIUS Accounting 8-28
    - Establishing a Session with a Router if the AAA Server is Unreachable 8-28
    - Configuring Settings for All RADIUS Servers 8-29
    - Configuring the Switch to Use Vendor-Specific RADIUS Attributes 8-29
    - Configuring the Switch for Vendor-Proprietary RADIUS Server Communication 8-30
    - Configuring RADIUS Server Load Balancing 8-31
  - Displaying the RADIUS Configuration 8-31
- Controlling Switch Access with Kerberos 8-32
  - Understanding Kerberos 8-32
  - Kerberos Operation 8-34
    - Authenticating to a Boundary Switch 8-34
    - Obtaining a TGT from a KDC 8-35
    - Authenticating to Network Services 8-35
  - Configuring Kerberos 8-35
- Configuring the Switch for Local Authentication and Authorization 8-36
- Configuring the Switch for Secure Shell 8-37
  - Understanding SSH 8-37
    - SSH Servers, Integrated Clients, and Supported Versions 8-37
    - Limitations 8-38
  - Configuring SSH 8-38
    - Configuration Guidelines 8-38
    - Setting Up the Switch to Run SSH 8-39
    - Configuring the SSH Server 8-40
  - Displaying the SSH Configuration and Status 8-40
- Configuring the Switch for Secure Copy Protocol 8-41
  - Information About Secure Copy 8-41

- Configuring IEEE 802.1x Port-Based Authentication 9-1**
- Understanding IEEE 802.1x Port-Based Authentication 9-1



Device Roles	9-2
Authentication Initiation and Message Exchange	9-3
Ports in Authorized and Unauthorized States	9-4
802.1x Accounting	9-5
802.1x Accounting Attribute-Value Pairs	9-5
802.1x Host Mode	9-6
802.1x Readiness Check	9-7
802.1x with Port Security	9-7
802.1x with VLAN Assignment	9-8
802.1x User Distribution	9-9
802.1x User Distribution Configuration Guidelines	9-9
802.1x Supplicant and Authenticator Switches with Network Edge Access Topology (NEAT)	9-10
Guidelines	9-11
Common Session ID	9-11
Configuring IEEE 802.1x Authentication	9-12
Default 802.1x Configuration	9-12
802.1x Configuration Guidelines	9-13
Maximum Number of Allowed Devices Per Port	9-14
Configuring 802.1x Authentication	9-14
Configuring the Switch-to-RADIUS-Server Communication	9-15
Configuring 802.1x Readiness Check	9-17
Configuring 802.1x Violation Modes	9-18
Configuring Periodic Re-Authentication	9-18
Manually Re-Authenticating a Client Connected to a Port	9-19
Changing the Quiet Period	9-19
Changing the Switch-to-Client Retransmission Time	9-20
Setting the Switch-to-Client Frame-Retransmission Number	9-21
Setting the Re-Authentication Number	9-22
Configuring the Host Mode	9-22
Resetting the 802.1x Configuration to the Default Values	9-23
Configuring 802.1x Accounting	9-23
Configuring 802.1x User Distribution	9-24
Configuring an Authenticator and a Supplicant Switch with NEAT	9-25
Configuring NEAT with ASP	9-27
Displaying 802.1x Statistics and Status	9-27

**Configuring Interfaces** 10-1

Understanding Interface Types	10-1
UNI, NNI, and ENI Port Types	10-2

- Port-Based VLANs 10-2
- Switch Ports 10-3
  - Access Ports 10-4
  - Trunk Ports 10-4
  - Tunnel Ports 10-4
- Routed Ports 10-5
- Ethernet Management Port 10-5
- Switch Virtual Interfaces 10-5
- EtherChannel Port Groups 10-6
- Dual-Purpose Ports 10-6
- Connecting Interfaces 10-7
- Using Interface Configuration Mode 10-8
  - Procedures for Configuring Interfaces 10-8
  - Configuring a Range of Interfaces 10-9
  - Configuring and Using Interface Range Macros 10-10
- Using the Ethernet Management Port 10-12
  - Understanding the Ethernet Management Port 10-12
  - Supported Features on the Ethernet Management Port 10-14
  - Configuring the Ethernet Management Port 10-14
  - TFTP and the Ethernet Management Port 10-14
- Configuring Ethernet Interfaces 10-15
  - Default Ethernet Interface Configuration 10-15
  - Configuring the Port Type 10-17
  - Configuring Interface Speed and Duplex Mode 10-18
    - Speed and Duplex Configuration Guidelines 10-18
    - Setting the Interface Speed and Duplex Parameters 10-19
  - Configuring a Dual-Purpose Port 10-21
  - Configuring IEEE 802.3x Flow Control 10-23
  - Configuring Auto-MDIX on an Interface 10-24
  - Adding a Description for an Interface 10-25
- Configuring Layer 3 Interfaces 10-25
- Configuring the System MTU 10-27
- Monitoring and Maintaining the Interfaces 10-30
  - Monitoring Interface Status 10-30
  - Clearing and Resetting Interfaces and Counters 10-31
  - Shutting Down and Restarting the Interface 10-32

Configuring Command Macros	11-1
Default Command Macro Configuration	11-2
Command Macro Configuration Guidelines	11-2
Creating Command Macros	11-3
Applying Command Macros	11-4
Displaying Command Macros	11-5

## CHAPTER 12

<b>Configuring VLANs</b>	<b>12-1</b>
Understanding VLANs	12-1
Supported VLANs	12-3
Normal-Range VLANs	12-3
Extended-Range VLANs	12-4
VLAN Port Membership Modes	12-4
UNI-ENI VLANs	12-5
Creating and Modifying VLANs	12-7
Default Ethernet VLAN Configuration	12-7
VLAN Configuration Guidelines	12-8
Creating or Modifying an Ethernet VLAN	12-9
Assigning Static-Access Ports to a VLAN	12-11
Creating an Extended-Range VLAN with an Internal VLAN ID	12-12
Configuring UNI-ENI VLANs	12-12
Configuration Guidelines	12-12
Configuring UNI-ENI VLANs	12-13
Displaying VLANs	12-14
Configuring VLAN Trunks	12-14
Trunking Overview	12-15
IEEE 802.1Q Configuration Considerations	12-15
Default Layer 2 Ethernet Interface VLAN Configuration	12-16
Configuring an Ethernet Interface as a Trunk Port	12-16
Interaction with Other Features	12-16
Configuring a Trunk Port	12-17
Defining the Allowed VLANs on a Trunk	12-18
Configuring the Native VLAN for Untagged Traffic	12-19
Configuring Trunk Ports for Load Sharing	12-19
Load Sharing Using STP Port Priorities	12-20
Load Sharing Using STP Path Cost	12-21
Configuring VMPS	12-23
Understanding VMPS	12-23
Dynamic-Access Port VLAN Membership	12-24

- Default VMPS Client Configuration 12-25
- VMPS Configuration Guidelines 12-25
- Configuring the VMPS Client 12-25
  - Entering the IP Address of the VMPS 12-26
  - Configuring Dynamic-Access Ports on VMPS Clients 12-26
  - Reconfirming VLAN Memberships 12-27
  - Changing the Reconfirmation Interval 12-27
  - Changing the Retry Count 12-27
- Monitoring the VMPS 12-28
- Troubleshooting Dynamic-Access Port VLAN Membership 12-28
- VMPS Configuration Example 12-28

CHAPTER 13

**Configuring Private VLANs 13-1**

- Understanding Private VLANs 13-1
  - Types of Private VLANs and Private-VLAN Ports 13-1
  - IP Addressing Scheme with Private VLANs 13-4
  - Private VLANs across Multiple Switches 13-4
  - Private VLANs and Unicast, Broadcast, and Multicast Traffic 13-5
  - Private VLANs and SVIs 13-5
- Configuring Private VLANs 13-6
  - Tasks for Configuring Private VLANs 13-6
  - Default Private-VLAN Configuration 13-6
  - Private-VLAN Configuration Guidelines 13-6
    - Secondary and Primary VLAN Configuration 13-7
    - Private-VLAN Port Configuration 13-8
    - Limitations with Other Features 13-9
  - Configuring and Associating VLANs in a Private VLAN 13-10
  - Configuring a Layer 2 Interface as a Private-VLAN Host Port 13-11
  - Configuring a Layer 2 Interface as a Private-VLAN Promiscuous Port 13-12
  - Mapping Secondary VLANs to a Primary VLAN Layer 3 VLAN Interface 13-13
- Monitoring Private VLANs 13-15

CHAPTER 14

**Configuring IEEE 802.1Q Tunneling, VLAN Mapping, 802.1ad, and Layer 2 Protocol Tunneling 14-1**

- Understanding 802.1Q Tunneling 14-1
- Configuring 802.1Q Tunneling 14-4
  - Default 802.1Q Tunneling Configuration 14-4
  - 802.1Q Tunneling Configuration Guidelines 14-4
    - Native VLANs 14-4
    - System MTU 14-5

802.1Q Tunneling and Other Features	14-6
Configuring an 802.1Q Tunneling Port	14-6
Understanding VLAN Mapping	14-7
Mapping Customer VLANs to Service-Provider VLANs	14-8
Configuring VLAN Mapping	14-9
Default VLAN Mapping Configuration	14-9
VLAN Mapping Configuration Guidelines	14-9
Configuring VLAN Mapping	14-10
Configuring One-to-One Mapping	14-10
Configuring Traditional QinQ on a Trunk Port	14-11
Configuring Selective QinQ on a Trunk Port	14-12
Configuring IEEE 802.1ad	14-13
802.1ad and Split-Horizon Configuration Guidelines	14-14
Configuring 802.1ad EtherChannels	14-15
802.1ad EtherChannel Guidelines	14-15
\Configuration Example for 802.1ad End-to-End PAgP EtherChannels between CE Devices	14-15
Configuring 802.1ad Split Horizon	14-18
Understanding Layer 2 Protocol Tunneling	14-20
Configuring Layer 2 Protocol Tunneling	14-22
Default Layer 2 Protocol Tunneling Configuration	14-23
Layer 2 Protocol Tunneling Configuration Guidelines	14-23
Configuring Layer 2 Protocol Tunneling	14-25
Configuring Layer 2 Tunneling for EtherChannels	14-26
Configuring the SP Edge Switch	14-26
Configuring the Customer Switch	14-28
Monitoring and Maintaining Tunneling and Mapping Status	14-30

## CHAPTER 15

**Configuring STP** 15-1

Understanding Spanning-Tree Features	15-1
STP Overview	15-2
Spanning-Tree Topology and BPDUs	15-3
Bridge ID, Switch Priority, and Extended System ID	15-4
Spanning-Tree Interface States	15-4
Blocking State	15-6
Listening State	15-6
Learning State	15-7
Forwarding State	15-7
Disabled State	15-7
How a Switch or Port Becomes the Root Switch or Root Port	15-7

- Spanning Tree and Redundant Connectivity 15-8
- Spanning-Tree Address Management 15-9
- Accelerated Aging to Retain Connectivity 15-9
- Spanning-Tree Modes and Protocols 15-9
- Supported Spanning-Tree Instances 15-10
- Spanning-Tree Interoperability and Backward Compatibility 15-10
- STP and IEEE 802.1Q Trunks 15-11
- Configuring Spanning-Tree Features 15-11
  - Default Spanning-Tree Configuration 15-11
  - Spanning-Tree Configuration Guidelines 15-12
  - Enabling Spanning Tree on an ENI 15-13
  - Changing the Spanning-Tree Mode. 15-14
  - Disabling Spanning Tree 15-15
  - Configuring the Root Switch 15-15
  - Configuring a Secondary Root Switch 15-17
  - Configuring Port Priority 15-17
  - Configuring Path Cost 15-19
  - Configuring the Switch Priority of a VLAN 15-20
  - Configuring Spanning-Tree Timers 15-21
    - Configuring the Hello Time 15-21
    - Configuring the Forwarding-Delay Time for a VLAN 15-22
    - Configuring the Maximum-Aging Time for a VLAN 15-22
- Displaying the Spanning-Tree Status 15-23

CHAPTER 16

**Configuring MSTP 16-1**

- Understanding MSTP 16-2
  - Multiple Spanning-Tree Regions 16-2
  - IST, CIST, and CST 16-2
    - Operations Within an MST Region 16-3
    - Operations Between MST Regions 16-3
  - IEEE 802.1s Terminology 16-5
- Hop Count 16-5
- Boundary Ports 16-6
- IEEE 802.1s Implementation 16-6
  - Port Role Naming Change 16-7
  - Interoperation Between Legacy and Standard Switches 16-7
  - Detecting Unidirectional Link Failure 16-8
- Interoperability with IEEE 802.1D STP 16-8
- Understanding RSTP 16-8

Port Roles and the Active Topology	16-9
Rapid Convergence	16-10
Synchronization of Port Roles	16-11
Bridge Protocol Data Unit Format and Processing	16-12
Processing Superior BPDU Information	16-13
Processing Inferior BPDU Information	16-13
Topology Changes	16-13
Configuring MSTP Features	16-14
Default MSTP Configuration	16-14
MSTP Configuration Guidelines	16-15
Specifying the MST Region Configuration and Enabling MSTP	16-16
Configuring the Root Switch	16-17
Configuring a Secondary Root Switch	16-19
Configuring Port Priority	16-20
Configuring Path Cost	16-22
Configuring the Switch Priority	16-23
Configuring the Hello Time	16-24
Configuring the Forwarding-Delay Time	16-24
Configuring the Maximum-Aging Time	16-25
Configuring the Maximum-Hop Count	16-25
Specifying the Link Type to Ensure Rapid Transitions	16-26
Designating the Neighbor Type	16-26
Restarting the Protocol Migration Process	16-27
Displaying the MST Configuration and Status	16-28

## CHAPTER 17

<b>Configuring Optional Spanning-Tree Features</b>	<b>17-1</b>
Understanding Optional Spanning-Tree Features	17-1
Understanding Port Fast	17-2
Understanding BPDU Guard	17-3
Understanding BPDU Filtering	17-3
Understanding EtherChannel Guard	17-3
Understanding Root Guard	17-4
Understanding Loop Guard	17-5
Configuring Optional Spanning-Tree Features	17-5
Default Optional Spanning-Tree Configuration	17-5
Optional Spanning-Tree Configuration Guidelines	17-6
Enabling Port Fast	17-6
Enabling BPDU Guard	17-7
Enabling BPDU Filtering	17-8

- Enabling EtherChannel Guard 17-9
- Enabling Root Guard 17-10
- Enabling Loop Guard 17-10
- Displaying the Spanning-Tree Status 17-11

CHAPTER 18

**Configuring Resilient Ethernet Protocol 18-1**

- Understanding REP 18-1
  - Link Integrity 18-3
  - Fast Convergence 18-4
  - VLAN Load Balancing 18-4
  - Spanning Tree Interaction 18-6
  - REP Ports 18-6
- Configuring REP 18-6
  - Default REP Configuration 18-7
  - REP Configuration Guidelines 18-7
  - Configuring the REP Administrative VLAN 18-8
  - Configuring REP Interfaces 18-9
  - Setting Manual Preemption for VLAN Load Balancing 18-13
  - Configuring SNMP Traps for REP 18-13
- Monitoring REP 18-14

CHAPTER 19

**Configuring Flex Links and the MAC Address-Table Move Update Feature 19-1**

- Understanding Flex Links and the MAC Address-Table Move Update 19-1
  - Flex Links 19-1
  - VLAN Flex Link Load Balancing and Support 19-2
  - Flex Link Multicast Fast Convergence 19-3
    - Learning the Other Flex Link Port as the mrouter Port 19-3
    - Generating IGMP Reports 19-3
    - Leaking IGMP Reports 19-4
  - MAC Address-Table Move Update 19-6
- Configuring Flex Links and MAC Address-Table Move Update 19-7
  - Default Configuration 19-7
  - Configuration Guidelines 19-8
  - Configuring Flex Links 19-8
  - Configuring VLAN Load Balancing on Flex Links 19-10
  - Configuring the MAC Address-Table Move Update Feature 19-12
- Monitoring Flex Links and the MAC Address-Table Move Update 19-14



<b>Configuring DHCP Features and IP Source Guard</b>	<b>20-1</b>
Understanding DHCP Features	20-1
DHCP Server	20-2
DHCP Relay Agent	20-2
DHCP Snooping	20-2
Option-82 Data Insertion	20-3
Cisco IOS DHCP Server Database	20-6
DHCP Snooping Binding Database	20-6
Configuring DHCP Features	20-7
Default DHCP Configuration	20-8
DHCP Snooping Configuration Guidelines	20-8
Configuring the DHCP Server	20-9
Configuring the DHCP Relay Agent	20-10
Specifying the Packet Forwarding Address	20-10
Enabling DHCP Snooping and Option 82	20-11
Enabling DHCP Snooping on Private VLANs	20-13
Enabling the Cisco IOS DHCP Server Database	20-13
Enabling the DHCP Snooping Binding Database Agent	20-13
Displaying DHCP Snooping Information	20-15
Understanding DHCP Server Port-Based Address Allocation	20-15
Configuring DHCP Server Port-Based Address Allocation	20-15
Default Port-Based Address Allocation Configuration	20-16
Port-Based Address Allocation Configuration Guidelines	20-16
Enabling DHCP Server Port-Based Address Allocation	20-16
Displaying DHCP Server Port-Based Address Allocation	20-18
Understanding IP Source Guard	20-19
Source IP Address Filtering	20-19
Source IP and MAC Address Filtering	20-20
IP Source Guard for Static Hosts	20-20
Configuring IP Source Guard	20-21
Default IP Source Guard Configuration	20-21
IP Source Guard Configuration Guidelines	20-21
Enabling IP Source Guard	20-21
Configuring IP Source Guard for Static Hosts	20-23
Configuring IP Source Guard for Static Hosts on a Layer 2 Access Port	20-23
Configuring IP Source Guard for Static Hosts on a Private VLAN Host Port	20-26
Displaying IP Source Guard Information	20-28

CHAPTER 21

**Configuring Dynamic ARP Inspection 21-1**

- Understanding Dynamic ARP Inspection 21-1
  - Interface Trust States and Network Security 21-3
  - Rate Limiting of ARP Packets 21-4
  - Relative Priority of ARP ACLs and DHCP Snooping Entries 21-4
  - Logging of Dropped Packets 21-4
- Configuring Dynamic ARP Inspection 21-5
  - Default Dynamic ARP Inspection Configuration 21-5
  - Dynamic ARP Inspection Configuration Guidelines 21-6
  - Configuring Dynamic ARP Inspection in DHCP Environments 21-7
  - Configuring ARP ACLs for Non-DHCP Environments 21-8
  - Limiting the Rate of Incoming ARP Packets 21-10
  - Performing Validation Checks 21-12
  - Configuring the Log Buffer 21-13
- Displaying Dynamic ARP Inspection Information 21-14

CHAPTER 22

**Configuring IGMP Snooping and MVR 22-1**

- Understanding IGMP Snooping 22-1
  - IGMP Versions 22-2
  - Joining a Multicast Group 22-3
  - Leaving a Multicast Group 22-5
  - Immediate Leave 22-5
  - IGMP Configurable-Leave Timer 22-5
  - IGMP Report Suppression 22-5
- Configuring IGMP Snooping 22-6
  - Default IGMP Snooping Configuration 22-6
  - Enabling or Disabling IGMP Snooping 22-7
  - Configuring a Multicast Router Port 22-7
  - Configuring a Host Statically to Join a Group 22-8
  - Enabling IGMP Immediate Leave 22-9
  - Configuring the IGMP Leave Timer 22-9
  - Configuring TCN-Related Commands 22-10
    - Controlling the Multicast Flooding Time After a TCN Event 22-10
    - Recovering from Flood Mode 22-11
    - Disabling Multicast Flooding During a TCN Event 22-11
  - Configuring the IGMP Snooping Querier 22-12
  - Disabling IGMP Report Suppression 22-14
- Displaying IGMP Snooping Information 22-14
- Understanding Multicast VLAN Registration 22-15

Using MVR in a Multicast Television Application	22-16
Configuring MVR	22-18
Default MVR Configuration	22-18
MVR Configuration Guidelines and Limitations	22-18
Configuring MVR Global Parameters	22-19
Configuring MVR on Access Ports	22-21
Configuring MVR on Trunk Ports	22-22
Displaying MVR Information	22-23
Configuring IGMP Filtering and Throttling	22-23
Default IGMP Filtering and Throttling Configuration	22-24
Configuring IGMP Profiles	22-25
Applying IGMP Profiles	22-26
Setting the Maximum Number of IGMP Groups	22-26
Configuring the IGMP Throttling Action	22-27
Displaying IGMP Filtering and Throttling Configuration	22-28

## CHAPTER 23

<b>Configuring Port-Based Traffic Control</b>	<b>23-1</b>
Configuring Storm Control	23-1
Understanding Storm Control	23-1
Default Storm Control Configuration	23-3
Configuring Storm Control and Threshold Levels	23-3
Configuring Protected Ports	23-5
Default Protected Port Configuration	23-5
Protected Port Configuration Guidelines	23-6
Configuring a Protected Port	23-6
Configuring Port Blocking	23-6
Default Port Blocking Configuration	23-7
Blocking Flooded Traffic on an Interface	23-7
Configuring Port Security	23-8
Understanding Port Security	23-8
Secure MAC Addresses	23-8
Security Violations	23-9
Default Port Security Configuration	23-10
Port Security Configuration Guidelines	23-10
Enabling and Configuring Port Security	23-11
Enabling and Configuring Port Security Aging	23-15
Port Security and Private VLANs	23-16
Displaying Port-Based Traffic Control Settings	23-17

CHAPTER 24

**Configuring CDP** 24-1

- Understanding CDP 24-1
- Configuring CDP 24-2
  - Default CDP Configuration 24-2
  - Configuring the CDP Characteristics 24-2
  - Disabling and Enabling CDP 24-3
  - Disabling and Enabling CDP on an Interface 24-4
- Monitoring and Maintaining CDP 24-5

CHAPTER 25

**Configuring LLDP and LLDP-MED** 25-1

- Understanding LLDP and LLDP-MED 25-1
  - Understanding LLDP 25-1
  - Understanding LLDP-MED 25-2
- Configuring LLDP and LLDP-MED 25-3
  - Default LLDP Configuration 25-3
  - Configuring LLDP Characteristics 25-4
  - Disabling and Enabling LLDP Globally 25-5
  - Disabling and Enabling LLDP on an Interface 25-5
  - Configuring LLDP-MED TLVs 25-6
- Monitoring and Maintaining LLDP and LLDP-MED 25-8

CHAPTER 26

**Configuring UDLD** 26-1

- Understanding UDLD 26-1
  - Modes of Operation 26-1
  - Methods to Detect Unidirectional Links 26-2
- Configuring UDLD 26-3
  - Default UDLD Configuration 26-4
  - Configuration Guidelines 26-4
  - Enabling UDLD Globally 26-5
  - Enabling UDLD on an Interface 26-5
  - Resetting an Interface Disabled by UDLD 26-6
- Displaying UDLD Status 26-6

CHAPTER 27

**Configuring SPAN and RSPAN** 27-1

- Understanding SPAN and RSPAN 27-1
  - Local SPAN 27-2
  - Remote SPAN 27-2
  - SPAN and RSPAN Concepts and Terminology 27-3

SPAN Sessions	27-3
Monitored Traffic	27-4
Source Ports	27-5
Source VLANs	27-6
VLAN Filtering	27-6
Destination Port	27-6
RSPAN VLAN	27-7
SPAN and RSPAN Interaction with Other Features	27-8
Configuring SPAN and RSPAN	27-9
Default SPAN and RSPAN Configuration	27-9
Configuring Local SPAN	27-10
SPAN Configuration Guidelines	27-10
Creating a Local SPAN Session	27-11
Creating a Local SPAN Session and Configuring Ingress Traffic	27-13
Specifying VLANs to Filter	27-15
Configuring RSPAN	27-16
RSPAN Configuration Guidelines	27-16
Configuring a VLAN as an RSPAN VLAN	27-17
Creating an RSPAN Source Session	27-17
Creating an RSPAN Destination Session	27-19
Creating an RSPAN Destination Session and Configuring Ingress Traffic	27-20
Specifying VLANs to Filter	27-21
Displaying SPAN and RSPAN Status	27-22

## CHAPTER 28

<b>Configuring RMON</b>	28-1
Understanding RMON	28-1
Configuring RMON	28-2
Default RMON Configuration	28-3
Configuring RMON Alarms and Events	28-3
Collecting Group History Statistics on an Interface	28-5
Collecting Group Ethernet Statistics on an Interface	28-5
Displaying RMON Status	28-6

## CHAPTER 29

<b>Configuring System Message Logging</b>	29-1
Understanding System Message Logging	29-1
Configuring System Message Logging	29-2
System Log Message Format	29-2
Default System Message Logging Configuration	29-3
Disabling Message Logging	29-4

- Setting the Message Display Destination Device 29-5
- Synchronizing Log Messages 29-6
- Enabling and Disabling Time Stamps on Log Messages 29-7
- Enabling and Disabling Sequence Numbers in Log Messages 29-8
- Defining the Message Severity Level 29-8
- Limiting Syslog Messages Sent to the History Table and to SNMP 29-10
- Enabling the Configuration-Change Logger 29-10
- Configuring UNIX Syslog Servers 29-11
  - Logging Messages to a UNIX Syslog Daemon 29-12
  - Configuring the UNIX System Logging Facility 29-12
- Displaying the Logging Configuration 29-13

CHAPTER 30

**Configuring SNMP 30-1**

- Understanding SNMP 30-1
  - SNMP Versions 30-2
  - SNMP Manager Functions 30-3
  - SNMP Agent Functions 30-4
  - SNMP Community Strings 30-4
  - Using SNMP to Access MIB Variables 30-4
  - SNMP Notifications 30-5
  - SNMP ifIndex MIB Object Values 30-5
  - MIB Data Collection and Transfer 30-6
- Configuring SNMP 30-6
  - Default SNMP Configuration 30-7
  - SNMP Configuration Guidelines 30-7
  - Disabling the SNMP Agent 30-8
  - Configuring Community Strings 30-8
  - Configuring SNMP Groups and Users 30-10
  - Configuring SNMP Notifications 30-12
  - Setting the CPU Threshold Notification Types and Values 30-16
  - Setting the Agent Contact and Location Information 30-17
  - Limiting TFTP Servers Used Through SNMP 30-17
  - Configuring MIB Data Collection and Transfer 30-18
  - Configuring the Cisco Process MIB CPU Threshold Table 30-20
  - SNMP Examples 30-21
- Displaying SNMP Status 30-23

CHAPTER 31

**Configuring Embedded Event Manager 31-1**

- Understanding Embedded Event Manager 31-1

Event Detectors	31-2
Embedded Event Manager Actions	31-4
Embedded Event Manager Policies	31-4
Embedded Event Manager Environment Variables	31-4
EEM 3.2	31-5
Configuring Embedded Event Manager	31-5
Registering and Defining an Embedded Event Manager Applet	31-6
Registering and Defining an Embedded Event Manager TCL Script	31-7
Displaying Embedded Event Manager Information	31-7

## CHAPTER 32

**Configuring Network Security with ACLs** 32-1

Understanding ACLs	32-1
Supported ACLs	32-2
Port ACLs	32-3
Router ACLs	32-4
VLAN Maps	32-5
Handling Fragmented and Unfragmented Traffic	32-5
Configuring IPv4 ACLs	32-6
Creating Standard and Extended IPv4 ACLs	32-7
IPv4 Access List Numbers	32-8
ACL Logging	32-8
Creating a Numbered Standard ACL	32-9
Creating a Numbered Extended ACL	32-10
Resequencing ACEs in an ACL	32-14
Creating Named Standard and Extended ACLs	32-14
Using Time Ranges with ACLs	32-16
Including Comments in ACLs	32-18
Applying an IPv4 ACL to a Terminal Line	32-18
Applying an IPv4 ACL to an Interface	32-19
Hardware and Software Treatment of IP ACLs	32-20
Troubleshooting ACLs	32-21
IPv4 ACL Configuration Examples	32-22
Numbered ACLs	32-23
Extended ACLs	32-23
Named ACLs	32-24
Time Range Applied to an IP ACL	32-24
Commented IP ACL Entries	32-25
ACL Logging	32-25
Creating Named MAC Extended ACLs	32-26

- Applying a MAC ACL to a Layer 2 Interface 32-28
- Configuring VLAN Maps 32-29
  - VLAN Map Configuration Guidelines 32-29
  - Creating a VLAN Map 32-30
    - Examples of ACLs and VLAN Maps 32-31
  - Applying a VLAN Map to a VLAN 32-33
  - Using VLAN Maps in Your Network 32-33
    - Wiring Closet Configuration 32-33
    - Denying Access to a Server on Another VLAN 32-34
- Using VLAN Maps with Router ACLs 32-35
  - VLAN Maps and Router ACL Configuration Guidelines 32-36
  - Examples of Router ACLs and VLAN Maps Applied to VLANs 32-37
    - ACLs and Switched Packets 32-37
    - ACLs and Routed Packets 32-37
    - ACLs and Multicast Packets 32-38
- Displaying IPv4 ACL Configuration 32-39

---

CHAPTER 33

- Configuring Control-Plane Security 33-1**
  - Understanding Control-Plane Security 33-1
  - Configuring Control-Plane Security 33-6
  - Monitoring Control-Plane Security 33-7

---

CHAPTER 34

- Configuring QoS 34-1**
  - Understanding QoS 34-1
    - Modular QoS CLI 34-3
    - Input and Output Policies 34-4
      - Input Policy Maps 34-5
      - Output Policy Maps 34-5
  - Classification 34-6
    - Class Maps 34-7
    - The match Command 34-7
    - Classification Based on Layer 2 CoS 34-8
    - 802.1Q Tunneling CoS Mapping 34-8
    - Classification Based on IP Precedence 34-9
    - Classification Based on IP DSCP 34-9
    - Classification Based on DEI 34-10
    - Classification Comparisons 34-10
    - Classification Based on QoS ACLs 34-11
    - Classification Based on QoS Groups 34-12



Classification Based on VLAN IDs	34-13
Table Maps	34-15
Policing	34-16
Individual Policing	34-16
Aggregate Policing	34-18
Unconditional Priority Policing	34-20
Marking	34-21
QoS Treatment for Performance-Monitoring Protocols	34-22
Cisco IP-SLAs	34-22
Two-Way Active Measurement Protocol	34-22
QoS Treatment for IP-SLA and TWAMP Probes	34-22
Marking	34-22
Queuing	34-23
QoS Marking for CPU-Generated Traffic	34-23
QoS Queuing for CPU-Generated Traffic	34-24
Configuration Guidelines	34-24
Congestion Management and Scheduling	34-26
Traffic Shaping	34-26
Class-Based Weighted Fair Queuing	34-28
Priority Queuing	34-30
Congestion Avoidance and Queuing	34-32
Configuring QoS	34-35
Default QoS Configuration	34-35
QoS Configuration Guidelines	34-35
Using ACLs to Classify Traffic	34-37
Creating IP Standard ACLs	34-38
Creating IP Extended ACLs	34-39
Creating Layer 2 MAC ACLs	34-40
Using Class Maps to Define a Traffic Class	34-41
Configuring Table Maps	34-43
Attaching a Traffic Policy to an Interface	34-44
Configuring Input Policy Maps	34-45
Configuring Input Policy Maps with Individual Policing	34-46
Configuring Input Policy Maps with Aggregate Policing	34-54
Configuring Input Policy Maps with Marking	34-58
Configuring Per-Port Per-VLAN QoS with Hierarchical Input Policy Maps	34-60
Configuring Output Policy Maps	34-65
Configuring Output Policy Maps with Class-Based-Weighted-Queuing	34-67
Configuring Output Policy Maps with Class-Based Shaping	34-69
Configuring Output Policy Maps with Port Shaping	34-70

- Configuring Output Policy Maps with Class-Based Priority Queuing 34-71
- Configuring Output Policy Maps with Weighted Tail Drop 34-75
- Configuring QoS Classification for QinQ-Based Service 34-78
  - Configuration Guidelines 34-78
  - Configuring the QinQ Ports 34-81
  - Configuring Class Maps for QinQ Input Policy Maps 34-81
  - Configuring Class Maps for QinQ Output Policy Maps 34-84
  - Configuration Examples 34-85
- Configuring 802.1ad QoS 34-89
  - Guidelines and Limitations 34-89
  - Configuration Examples 34-90
- Configuring QoS Marking and Queuing for CPU-Generated Traffic 34-92
  - Configuration Examples QoS Marking and Queuing for CPU-Generated Traffic 34-94
- Displaying QoS Information 34-98
  - QoS Statistics 34-98
- Configuration Examples for Policy Maps 34-99
  - QoS Configuration for Customer A 34-99
  - QoS Configuration for Customer B 34-101
  - Modifying Output Policies and Adding or Deleting Classification Criteria 34-102
  - Modifying Output Policies and Changing Queuing or Scheduling Parameters 34-103
  - Modifying Output Policies and Adding or Deleting Configured Actions 34-103
  - Modifying Output Policies and Adding or Deleting a Class 34-104

CHAPTER 35

**Configuring EtherChannels and Link-State Tracking 35-1**

- Understanding EtherChannels 35-1
  - EtherChannel Overview 35-2
  - Port-Channel Interfaces 35-3
  - Port Aggregation Protocol 35-4
    - PAGP Modes 35-5
    - PAGP Interaction with Other Features 35-5
  - Link Aggregation Control Protocol 35-6
    - LACP Modes 35-6
    - LACP Interaction with Other Features 35-7
  - EtherChannel On Mode 35-7
  - Load Balancing and Forwarding Methods 35-7
- Configuring EtherChannels 35-9
  - Default EtherChannel Configuration 35-10
  - EtherChannel Configuration Guidelines 35-10
  - Configuring Layer 2 EtherChannels 35-11

Configuring Layer 3 EtherChannels	35-14
Creating Port-Channel Logical Interfaces	35-14
Configuring the Physical Interfaces	35-15
Configuring EtherChannel Load Balancing	35-17
Configuring the PAGP Learn Method and Priority	35-18
Configuring LACP Hot-Standby Ports	35-19
Configuring the LACP System Priority	35-20
Configuring the LACP Port Priority	35-21
Displaying EtherChannel, PAGP, and LACP Status	35-22
Understanding Link-State Tracking	35-22
Configuring Link-State Tracking	35-24
Default Link-State Tracking Configuration	35-24
Link-State Tracking Configuration Guidelines	35-24
Configuring Link-State Tracking	35-24
Displaying Link-State Tracking Status	35-25

## CHAPTER 36

<b>Configuring IP Unicast Routing</b>	<b>36-1</b>
Understanding IP Routing	36-2
Types of Routing	36-2
Steps for Configuring Routing	36-3
Configuring IP Addressing	36-4
Default Addressing Configuration	36-4
Assigning IP Addresses to Network Interfaces	36-5
Use of Subnet Zero	36-5
Classless Routing	36-6
Configuring Address Resolution Methods	36-7
Define a Static ARP Cache	36-8
Set ARP Encapsulation	36-9
Enable Proxy ARP	36-9
Routing Assistance When IP Routing is Disabled	36-10
Proxy ARP	36-10
Default Gateway	36-10
ICMP Router Discovery Protocol (IRDP)	36-11
Configuring Broadcast Packet Handling	36-12
Enabling Directed Broadcast-to-Physical Broadcast Translation	36-13
Forwarding UDP Broadcast Packets and Protocols	36-14
Establishing an IP Broadcast Address	36-14
Flooding IP Broadcasts	36-15
Monitoring and Maintaining IP Addressing	36-16

Enabling IPv4 Unicast Routing	36-17
Configuring RIP	36-18
Default RIP Configuration	36-18
Configuring Basic RIP Parameters	36-19
Configuring RIP Authentication	36-21
Configuring Split Horizon	36-21
Configuring Summary Addresses	36-22
Configuring OSPF	36-23
Default OSPF Configuration	36-24
Nonstop Forwarding Awareness	36-25
Configuring Basic OSPF Parameters	36-25
Configuring OSPF Interfaces	36-26
Configuring OSPF Network Types	36-27
Configuring OSPF for Nonbroadcast Networks	36-28
Configuring Network Types for OSPF Interfaces	36-28
Configuring OSPF Area Parameters	36-30
Configuring Other OSPF Parameters	36-31
Changing LSA Group Pacing	36-32
Configuring a Loopback Interface	36-33
Monitoring OSPF	36-34
Configuring EIGRP	36-34
Default EIGRP Configuration	36-36
Nonstop Forwarding Awareness	36-37
Configuring Basic EIGRP Parameters	36-37
Configuring EIGRP Interfaces	36-38
Configuring EIGRP Route Authentication	36-39
Configuring EIGRP Stub Routing	36-40
Monitoring and Maintaining EIGRP	36-41
Configuring BGP	36-42
Default BGP Configuration	36-44
Nonstop Forwarding Awareness	36-46
Enabling BGP Routing	36-46
Managing Routing Policy Changes	36-48
Configuring BGP Decision Attributes	36-50
Configuring BGP Filtering with Route Maps	36-52
Configuring BGP Filtering by Neighbor	36-52
Configuring Prefix Lists for BGP Filtering	36-54
Configuring BGP Community Filtering	36-55
Configuring BGP Neighbors and Peer Groups	36-56

Configuring Aggregate Addresses	36-58
Configuring Routing Domain Confederations	36-59
Configuring BGP Route Reflectors	36-59
Configuring Route Dampening	36-60
Monitoring and Maintaining BGP	36-61
Configuring ISO CLNS Routing	36-62
Configuring IS-IS Dynamic Routing	36-63
Default IS-IS Configuration	36-63
Nonstop Forwarding Awareness	36-64
Enabling IS-IS Routing	36-64
Configuring IS-IS Global Parameters	36-66
Configuring IS-IS Interface Parameters	36-69
Monitoring and Maintaining IS-IS	36-71
Configuring BFD	36-72
Default BFD Configuration	36-74
BFD Configuration Guidelines	36-74
Configuring BFD Session Parameters on an Interface	36-75
Enabling BFD Routing Protocol Clients	36-76
Configuring BFD for OSPF	36-76
Configuring BFD for IS-IS	36-78
Configuring BFD for BGP	36-79
Configuring BFD for EIGRP	36-80
Configuring BFD for HSRP	36-80
Disabling BFD Echo Mode	36-81
Configuring Multi-VRF CE	36-82
Understanding Multi-VRF CE	36-82
Default Multi-VRF CE Configuration	36-84
Multi-VRF CE Configuration Guidelines	36-85
Configuring VRFs	36-85
Configuring VRF-Aware Services	36-86
User Interface for ARP	36-87
User Interface for PING	36-87
User Interface for SNMP	36-87
User Interface for HSRP	36-88
User Interface for Syslog	36-88
User Interface for Traceroute	36-89
User Interface for FTP and TFTP	36-89
User Interface for VRF-Aware RADIUS	36-89
Configuring a VPN Routing Session	36-90

- Configuring BGP PE to CE Routing Sessions 36-90
- Multi-VRF CE Configuration Example 36-91
- Displaying Multi-VRF CE Status 36-95
- Configuring Protocol-Independent Features 36-95
  - Configuring Cisco Express Forwarding 36-96
  - Configuring the Number of Equal-Cost Routing Paths 36-97
  - Configuring Static Unicast Routes 36-97
  - Specifying Default Routes and Networks 36-99
  - Using Route Maps to Redistribute Routing Information 36-99
  - Configuring Policy-Based Routing 36-104
    - PBR Configuration Guidelines 36-105
    - Enabling PBR 36-106
  - Filtering Routing Information 36-107
    - Setting Passive Interfaces 36-107
    - Controlling Advertising and Processing in Routing Updates 36-108
    - Filtering Sources of Routing Information 36-109
  - Managing Authentication Keys 36-109
- Monitoring and Maintaining the IP Network 36-110

CHAPTER 37

- Configuring IPv6 Unicast Routing 37-1**
  - Understanding IPv6 37-1
  - IPv6 Addresses 37-2
  - Supported IPv6 Unicast Routing Features 37-2
    - 128-Bit Unicast Addresses 37-3
    - DNS for IPv6 37-3
    - Path MTU Discovery for IPv6 Unicast 37-3
    - ICMPv6 37-4
    - Neighbor Discovery 37-4
    - Default Router Preference 37-4
    - IPv6 Stateless Autoconfiguration and Duplicate Address Detection 37-4
    - IPv6 Applications 37-4
    - Dual IPv4 and IPv6 Protocol Stacks 37-5
    - DHCP for IPv6 Address Assignment 37-5
    - Static Routes for IPv6 37-6
    - RIP for IPv6 37-6
    - OSPF for IPv6 37-6
    - EIGRP IPv6 37-6
    - Multiprotocol BGP for IPv6 37-6
    - SNMP and Syslog Over IPv6 37-7

HTTP(S) Over IPv6	37-7
Unsupported IPv6 Unicast Routing Features	37-7
Limitations	37-8
Configuring IPv6	37-9
Default IPv6 Configuration	37-9
Configuring IPv6 Addressing and Enabling IPv6 Routing	37-9
Configuring Default Router Preference	37-11
Configuring IPv4 and IPv6 Protocol Stacks	37-12
Configuring DHCP for IPv6 Address Assignment	37-14
Default DHCPv6 Address Assignment Configuration	37-14
DHCPv6 Address Assignment Configuration Guidelines	37-14
Enabling the DHCPv6 Server Function	37-15
Enabling the DHCPv6 Client Function	37-17
Configuring IPv6 ICMP Rate Limiting	37-17
Configuring CEF for IPv6	37-18
Configuring Static Routing for IPv6	37-18
Configuring RIP for IPv6	37-20
Configuring OSPF for IPv6	37-21
Configuring EIGRP for IPv6	37-23
Configuring BGP for IPv6	37-23
Displaying IPv6	37-24

---

**CHAPTER 38**

<b>Configuring IPv6 MLD Snooping</b>	<b>38-1</b>
Understanding MLD Snooping	38-1
MLD Messages	38-2
MLD Queries	38-3
Multicast Client Aging Robustness	38-3
Multicast Router Discovery	38-3
MLD Reports	38-4
MLD Done Messages and Immediate-Leave	38-4
Topology Change Notification Processing	38-5
Configuring IPv6 MLD Snooping	38-5
Default MLD Snooping Configuration	38-5
MLD Snooping Configuration Guidelines	38-6
Enabling or Disabling MLD Snooping	38-6
Configuring a Static Multicast Group	38-8
Configuring a Multicast Router Port	38-9
Enabling MLD Immediate Leave	38-9
Configuring MLD Snooping Queries	38-10
Disabling MLD Listener Message Suppression	38-11

Displaying MLD Snooping Information 38-12

---

CHAPTER 39

**Configuring IPv6 ACLs 39-1**

- Understanding IPv6 ACLs 39-2
  - Supported ACL Features 39-2
  - IPv6 ACL Limitations 39-3
- Configuring IPv6 ACLs 39-3
  - Default IPv6 ACL Configuration 39-3
  - Interaction with Other Features and Switches 39-4
  - Creating IPv6 ACLs 39-4
  - Applying an IPv6 ACL to an Interface 39-7
- Displaying IPv6 ACLs 39-8

---

CHAPTER 40

**Configuring HSRP 40-1**

- Understanding HSRP 40-1
  - HSRP Versions 40-3
  - Multiple HSRP 40-4
- Configuring HSRP 40-5
  - Default HSRP Configuration 40-5
  - HSRP Configuration Guidelines 40-5
  - Enabling HSRP 40-6
  - Configuring HSRP Priority 40-7
  - Configuring MHSRP 40-10
  - Configuring HSRP Authentication and Timers 40-10
  - Enabling HSRP Support for ICMP Redirect Messages 40-12
- Displaying HSRP Configurations 40-12

---

CHAPTER 41

**Configuring Cisco IOS IP SLAs Operations 41-1**

- Understanding Cisco IOS IP SLAs 41-1
  - Using Cisco IOS IP SLAs to Measure Network Performance 41-3
  - IP SLAs Responder and IP SLAs Control Protocol 41-4
  - Response Time Computation for IP SLAs 41-4
  - IP SLAs Operation Scheduling 41-5
  - IP SLAs Operation Threshold Monitoring 41-5
- Configuring IP SLAs Operations 41-6
  - Default Configuration 41-6
  - Configuration Guidelines 41-6
  - Configuring the IP SLAs Responder 41-7



Analyzing IP Service Levels by Using the UDP Jitter Operation	41-8
Analyzing IP Service Levels by Using the ICMP Echo Operation	41-11
Monitoring IP SLAs Operations	41-13
Understanding TWAMP	41-14
Configuring TWAMP	41-14
Configuring the TWAMP Server	41-15
Configuring the TWAMP Reflector	41-16
Troubleshooting TWAMP	41-16

## CHAPTER 42

<b>Configuring Enhanced Object Tracking</b>	<b>42-1</b>
Understanding Enhanced Object Tracking	42-1
Configuring Enhanced Object Tracking Features	42-2
Default Configuration	42-2
Tracking Interface Line-Protocol or IP Routing State	42-2
Configuring a Tracked List	42-3
Configuring a Tracked List with a Boolean Expression	42-4
Configuring a Tracked List with a Weight Threshold	42-5
Configuring a Tracked List with a Percentage Threshold	42-6
Configuring HSRP Object Tracking	42-7
Configuring Other Tracking Characteristics	42-8
Configuring IP SLAs Object Tracking	42-8
Configuring Static Routing Support	42-10
Configuring a Primary Interface	42-10
Configuring a Cisco IP SLAs Monitoring Agent and Track Object	42-11
Configuring a Routing Policy and Default Route	42-12
Monitoring Enhanced Object Tracking	42-12

## CHAPTER 43

<b>Configuring Ethernet OAM, CFM, and E-LMI</b>	<b>43-1</b>
Understanding Ethernet CFM	43-2
CFM Domain	43-2
Maintenance Associations and Maintenance Points	43-3
CFM Messages	43-5
Crosscheck Function and Static Remote MEPs	43-5
SNMP Traps and Fault Alarms	43-5
Configuration Error List	43-6
CFM Version Interoperability	43-6
IP SLAs Support for CFM	43-6
Configuring Ethernet CFM	43-7
Default Ethernet CFM Configuration	43-7

Ethernet CFM Configuration Guidelines	43-8
Configuring the CFM Domain	43-8
Configuring Ethernet CFM Crosscheck	43-12
Configuring Static Remote MEP	43-13
Configuring a Port MEP	43-14
Configuring SNMP Traps	43-15
Configuring Fault Alarms	43-16
Configuring IP SLAs CFM Operation	43-17
Manually Configuring an IP SLAs CFM Probe or Jitter Operation	43-18
Configuring an IP SLAs Operation with Endpoint Discovery	43-19
Configuring CFM on C-VLAN (Inner VLAN)	43-21
Feature Support and Behavior	43-22
Platform Restrictions and Limitations	43-22
Understanding CFM ITU-T Y.1731 Fault Management	43-23
Y.1731 Terminology	43-23
Alarm Indication Signals	43-24
Ethernet Remote Defect Indication	43-24
Ethernet Locked Signal	43-25
Multicast Ethernet Loopback	43-25
Configuring Y.1731 Fault Management	43-25
Default Y.1731 Configuration	43-26
Configuring ETH-AIS	43-26
Configuring ETH-LCK	43-28
Using Multicast Ethernet Loopback	43-30
Managing and Displaying Ethernet CFM Information	43-31
Understanding the Ethernet OAM Protocol	43-33
OAM Features	43-34
OAM Messages	43-34
Setting Up and Configuring Ethernet OAM	43-34
Default Ethernet OAM Configuration	43-35
Ethernet OAM Configuration Guidelines	43-35
Enabling Ethernet OAM on an Interface	43-35
Enabling Ethernet OAM Remote Loopback	43-36
Configuring Ethernet OAM Link Monitoring	43-37
Configuring Ethernet OAM Remote Failure Indications	43-40
Configuring Ethernet OAM Templates	43-40
Displaying Ethernet OAM Protocol Information	43-43
Enabling Ethernet Loopback	43-43
Understanding E-LMI	43-47

E-LMI Interaction with OAM Manager	43-47
CFM Interaction with OAM Manager	43-48
Configuring E-LMI	43-48
Default E-LMI Configuration	43-48
E-LMI and OAM Manager Configuration Guidelines	43-49
Configuring the OAM Manager	43-49
Enabling E-LMI	43-52
Ethernet OAM Manager Configuration Example	43-53
Provider-Edge Device Configuration	43-53
Customer-Edge Device Configuration	43-53
Displaying E-LMI and OAM Manager Information	43-54
Ethernet CFM and Ethernet OAM Interaction	43-54
Configuring Ethernet OAM Interaction with CFM	43-55
Configuring the OAM Manager	43-55
Enabling Ethernet OAM	43-56
Ethernet OAM and CFM Configuration Example	43-56

## CHAPTER 44

<b>Configuring IP Multicast Routing</b>	<b>44-1</b>
Understanding Cisco's Implementation of IP Multicast Routing	44-1
Understanding IGMP	44-2
IGMP Version 1	44-3
IGMP Version 2	44-3
Understanding PIM	44-3
PIM Versions	44-3
PIM Modes	44-4
PIM Stub Routing	44-5
IGMP Helper	44-5
Auto-RP	44-6
Bootstrap Router	44-6
Multicast Forwarding and Reverse Path Check	44-7
Configuring IP Multicast Routing	44-8
Default Multicast Routing Configuration	44-8
Multicast Routing Configuration Guidelines	44-9
PIMv1 and PIMv2 Interoperability	44-9
Auto-RP and BSR Configuration Guidelines	44-10
Configuring Basic Multicast Routing	44-10
Configuring PIM Stub Routing	44-12
PIM Stub Routing Configuration Guidelines	44-12
Enabling PIM Stub Routing	44-13

Configuring Source-Specific Multicast	44-14
SSM Components Overview	44-15
How SSM Differs from Internet Standard Multicast	44-15
SSM IP Address Range	44-15
SSM Operations	44-15
IGMPv3 Host Signalling	44-16
Configuration Guidelines	44-16
Configuring SSM	44-17
Monitoring SSM	44-18
Configuring Source Specific Multicast Mapping	44-18
Configuration Guidelines and Restrictions	44-18
SSM Mapping Overview	44-19
Configuring SSM Mapping	44-20
Monitoring SSM Mapping	44-23
Configuring a Rendezvous Point	44-23
Manually Assigning an RP to Multicast Groups	44-23
Configuring Auto-RP	44-25
Configuring PIMv2 BSR	44-29
Using Auto-RP and a BSR	44-33
Monitoring the RP Mapping Information	44-34
Troubleshooting PIMv1 and PIMv2 Interoperability Problems	44-34
Configuring Advanced PIM Features	44-34
Understanding PIM Shared Tree and Source Tree	44-34
Delaying the Use of PIM Shortest-Path Tree	44-36
Modifying the PIM Router-Query Message Interval	44-37
Configuring Optional IGMP Features	44-37
Default IGMP Configuration	44-38
Configuring the Switch as a Member of a Group	44-38
Controlling Access to IP Multicast Groups	44-39
Changing the IGMP Version	44-40
Modifying the IGMP Host-Query Message Interval	44-41
Changing the IGMP Query Timeout for IGMPv2	44-42
Changing the Maximum Query Response Time for IGMPv2	44-42
Configuring the Switch as a Statically Connected Member	44-43
Configuring Optional Multicast Routing Features	44-44
Configuring sdr Listener Support	44-44
Enabling sdr Listener Support	44-44
Limiting How Long an sdr Cache Entry Exists	44-45
Configuring an IP Multicast Boundary	44-45

Monitoring and Maintaining IP Multicast Routing	44-47
Clearing Caches, Tables, and Databases	44-47
Displaying System and Network Statistics	44-47
Monitoring IP Multicast Routing	44-48

## CHAPTER 45

**Configuring MSDP** 45-1

Understanding MSDP	45-1
MSDP Operation	45-2
MSDP Benefits	45-3
Configuring MSDP	45-3
Default MSDP Configuration	45-3
Configuring a Default MSDP Peer	45-4
Caching Source-Active State	45-6
Requesting Source Information from an MSDP Peer	45-7
Controlling Source Information that Your Switch Originates	45-8
Redistributing Sources	45-8
Filtering Source-Active Request Messages	45-10
Controlling Source Information that Your Switch Forwards	45-11
Using a Filter	45-11
Using TTL to Limit the Multicast Data Sent in SA Messages	45-12
Controlling Source Information that Your Switch Receives	45-13
Configuring an MSDP Mesh Group	45-14
Shutting Down an MSDP Peer	45-15
Including a Bordering PIM Dense-Mode Region in MSDP	45-15
Configuring an Originating Address other than the RP Address	45-16
Monitoring and Maintaining MSDP	45-17

## CHAPTER 46

**Troubleshooting** 46-1

Recovering from a Software Failure	46-2
Recovering from a Lost or Forgotten Password	46-3
Procedure with Password Recovery Enabled	46-4
Procedure with Password Recovery Disabled	46-6
Preventing Autonegotiation Mismatches	46-8
SFP Module Security and Identification	46-8
Monitoring SFP Module Status	46-9
Monitoring Temperature	46-9
Using Ping	46-9
Understanding Ping	46-10

- Using Ping 46-10
  - All Software Versions 46-10
  - Metro IP Access Image 46-11
  - Ping Responses 46-12
  - Summary 46-12
- Using Layer 2 Traceroute 46-13
  - Understanding Layer 2 Traceroute 46-13
  - Layer 2 Traceroute Usage Guidelines 46-13
  - Displaying the Physical Path 46-14
- Using IP Traceroute 46-14
  - Understanding IP Traceroute 46-14
  - Executing IP Traceroute 46-15
- Using TDR 46-16
  - Understanding TDR 46-16
  - Running TDR and Displaying the Results 46-17
- Using Debug Commands 46-17
  - Enabling Debugging on a Specific Feature 46-17
  - Enabling All-System Diagnostics 46-18
  - Redirecting Debug and Error Message Output 46-18
- Using the show platform forward Command 46-19
- Using the crashinfo File 46-21
- Using On-Board Failure Logging 46-21
  - Understanding OBFL 46-22
  - Configuring OBFL 46-22
  - Displaying OBFL Information 46-23

---

CHAPTER 47

- Configuring Online Diagnostics 47-1**
  - Understanding Online Diagnostics 47-1
  - Configuring Online Diagnostics 47-2
    - Scheduling Online Diagnostics 47-2
    - Configuring Health-Monitoring Diagnostics 47-3
  - Running Online Diagnostic Tests 47-5
    - Starting Online Diagnostic Tests 47-5
    - Displaying Online Diagnostic Tests and Results 47-6

---

APPENDIX A

- Supported MIBs A-1**
  - MIB List A-1
  - Using FTP to Access the MIB Files A-4

**Working with the Cisco IOS File System, Configuration Files, and Software Images** B-1

Working with the Flash File System	B-1
Displaying Available File Systems	B-2
Setting the Default File System	B-3
Displaying Information about Files on a File System	B-3
Changing Directories and Displaying the Working Directory	B-3
Creating and Removing Directories	B-4
Copying Files	B-4
Deleting Files	B-5
Creating, Displaying, and Extracting tar Files	B-6
Creating a tar File	B-6
Displaying the Contents of a tar File	B-6
Extracting a tar File	B-7
Displaying the Contents of a File	B-8
Working with Configuration Files	B-8
Guidelines for Creating and Using Configuration Files	B-9
Configuration File Types and Location	B-9
Creating a Configuration File By Using a Text Editor	B-10
Copying Configuration Files By Using TFTP	B-10
Preparing to Download or Upload a Configuration File By Using TFTP	B-10
Downloading the Configuration File By Using TFTP	B-11
Uploading the Configuration File By Using TFTP	B-11
Copying Configuration Files By Using FTP	B-12
Preparing to Download or Upload a Configuration File By Using FTP	B-13
Downloading a Configuration File By Using FTP	B-13
Uploading a Configuration File By Using FTP	B-14
Copying Configuration Files By Using RCP	B-15
Preparing to Download or Upload a Configuration File By Using RCP	B-16
Downloading a Configuration File By Using RCP	B-17
Uploading a Configuration File By Using RCP	B-18
Clearing Configuration Information	B-18
Clearing the Startup Configuration File	B-19
Deleting a Stored Configuration File	B-19
Replacing and Rolling Back Configurations	B-19
Understanding Configuration Replacement and Rollback	B-19
Configuration Replacement and Rollback Guidelines	B-20
Configuring the Configuration Archive	B-21
Performing a Configuration Replacement or Rollback Operation	B-22
Working with Software Images	B-23

- Image Location on the Switch **B-23**
- tar File Format of Images on a Server or Cisco.com **B-24**
- Copying Image Files By Using TFTP **B-24**
  - Preparing to Download or Upload an Image File By Using TFTP **B-25**
  - Downloading an Image File By Using TFTP **B-26**
  - Uploading an Image File By Using TFTP **B-27**
- Copying Image Files By Using FTP **B-28**
  - Preparing to Download or Upload an Image File By Using FTP **B-28**
  - Downloading an Image File By Using FTP **B-29**
  - Uploading an Image File By Using FTP **B-31**
- Copying Image Files By Using RCP **B-32**
  - Preparing to Download or Upload an Image File By Using RCP **B-32**
  - Downloading an Image File By Using RCP **B-33**
  - Uploading an Image File By Using RCP **B-35**

APPENDIX C

**Unsupported Commands in Cisco IOS Release 12.2(55)SE C-1**

- Access Control Lists **C-1**
  - Unsupported Privileged EXEC Commands **C-1**
  - Unsupported Global Configuration Commands **C-1**
- ARP Commands **C-1**
  - Unsupported Global Configuration Commands **C-1**
  - Unsupported Interface Configuration Commands **C-2**
- Boot Loader Commands **C-2**
  - Unsupported Privileged EXEC Command **C-2**
  - Unsupported Interface Configuration Command **C-2**
- CGMP Commands **C-2**
  - Unsupported User EXEC Command **C-2**
  - Unsupported Global Configuration Command **C-2**
- Debug Commands **C-2**
- Embedded Event Manager **C-3**
  - Unsupported Privileged EXEC Commands **C-3**
  - Unsupported Global Configuration Commands **C-3**
  - Unsupported Commands in Applet Configuration Mode **C-3**
- HSRP **C-3**
  - Unsupported Global Configuration Commands **C-3**
  - Unsupported Interface Configuration Commands **C-3**
- IEEE 802.1x **C-4**
  - Unsupported Global Configuration Command **C-4**
  - Unsupported Interface Configuration Commands **C-4**



Unsupported Privileged EXEC Commands	C-4
Unsupported Global Configuration Command	C-4
Unsupported Interface Configuration Commands	C-4
IGMP Snooping Commands	C-5
Unsupported Global Configuration Commands	C-5
Interface Commands	C-5
Unsupported Privileged EXEC Commands	C-5
Unsupported Global Configuration Commands	C-5
Unsupported Interface Configuration Commands	C-5
IP Multicast Routing	C-5
Unsupported Privileged EXEC Commands	C-5
Unsupported Global Configuration Commands	C-6
Unsupported Interface Configuration Commands	C-6
IP Unicast Routing	C-7
Unsupported Privileged EXEC or User EXEC Commands	C-7
Unsupported Global Configuration Commands	C-7
Unsupported Interface Configuration Commands	C-7
Unsupported BGP Router Configuration Commands	C-8
Unsupported VPN Configuration Commands	C-8
Unsupported Route Map Commands	C-8
MAC Address	C-9
Unsupported Privileged EXEC Commands	C-9
Unsupported Global Configuration Commands	C-9
Miscellaneous	C-9
Unsupported User EXEC Commands	C-9
Unsupported Privileged EXEC Commands	C-9
Unsupported Global Configuration Commands	C-10
Unsupported show platform Commands	C-10
MSDP	C-10
Unsupported Privileged EXEC Commands	C-10
Unsupported Global Configuration Commands	C-11
NetFlow	C-11
Unsupported Global Configuration Commands	C-11
QoS	C-11
Unsupported Global Configuration Command	C-11
Unsupported Interface Configuration Command	C-11
Unsupported policy-map Class Police Configuration Mode Command	C-11
RADIUS	C-11
Unsupported Global Configuration Commands	C-11

- SNMP C-12
  - Unsupported Global Configuration Commands C-12
- Spanning Tree C-12
  - Unsupported Global Configuration Command C-12
  - Unsupported Interface Configuration Command C-12
- Storm Control C-12
  - Unsupported Global Configuration Command C-12
  - Unsupported Interface Configuration Command C-12
- VLAN C-13
  - Unsupported Global Configuration Command C-13
  - Unsupported User EXEC Commands C-13
  - Unsupported VLAN Database Commands C-13

---

INDEX



## Preface

---

### Audience

This guide is for the networking professional managing the Cisco Metro Ethernet (ME) 3400E Series Ethernet Access switch, hereafter referred to as the *switch*. We assume that you are familiar with the concepts and terminology of Ethernet and local area networking. If you are interested in more training and education in these areas, learning opportunities including training courses, self-study options, seminars, and career certifications programs are available on the Cisco Training & Events web page:

<http://www.cisco.com/web/learning/index.html>

### Purpose

The switch ships with one of these software images installed:

- The metro access image includes additional features such as IEEE 802.1Q tunneling, Layer 2 protocol tunneling, dynamic ARP inspection, and IP source guard.
- The metro IP access image adds Layer 3 functionality such as IP routing support for Routing Information Protocol (RIP), Open Shortest Path First (OSPF) Protocol, Border Gateway Protocol (BGP), and Enhanced Interior Gateway Routing Protocol (EIGRP), multiple VPN routing/forwarding on customer edge (multi-VRF-CE) devices, and IP multicast routing.

This guide provides procedures for using the commands that have been created or changed for use with the Cisco ME 3400E switch. It does not provide detailed information about these commands. For detailed information about these commands, see the *Cisco ME 3400E Ethernet Access Switch Command Reference* for this release. For information about the standard Cisco IOS commands, see the Cisco IOS documentation available from this URL:

<http://www.cisco.com/cisco/web/psa/default.html?mode=prod>

This guide does not describe system messages you might encounter or how to install your switch. For more information, see the *Cisco ME 3400E, ME 3400, and ME 2400 Switch System Message Guide* for this release and the *Cisco ME 3400E Ethernet Access Switch Hardware Installation Guide*.

For the latest documentation updates, see the release notes for this release.

## Conventions

This publication uses these conventions to convey instructions and information:

Command descriptions use these conventions:

- Commands and keywords are in **boldface** text.
- Arguments for which you supply values are in *italic*.
- Square brackets ( [ ] ) mean optional elements.
- Braces ( { } ) group required choices, and vertical bars ( | ) separate the alternative elements.
- Braces and vertical bars within square brackets ( [ { | } ] ) mean a required choice within an optional element.

Interactive examples use these conventions:

- Terminal sessions and system displays are in `screen` font.
- Information you enter is in **boldface screen** font.
- Nonprinting characters, such as passwords or tabs, are in angle brackets (< >).

Notes, cautions, and timesavers use these conventions and symbols:



**Note**

---

Means *reader take note*. Notes contain helpful suggestions or references to materials not contained in this manual.

---



**Caution**

---

Means *reader be careful*. In this situation, you might do something that could result in equipment damage or loss of data.

---

## Related Publications

These documents provide complete information about the switch and are available from this Cisco.com site:

[http://www.cisco.com/en/US/products/ps9637/tsd\\_products\\_support\\_series\\_home.html](http://www.cisco.com/en/US/products/ps9637/tsd_products_support_series_home.html)



**Note**

---

Before installing, configuring, or upgrading the switch, see these documents:

- For initial configuration information, see the “Configuring the Switch with the CLI-Based Setup Program” appendix in the hardware installation guide.
  - For upgrading information, see the “Downloading Software” section in the release notes.
- 

- *Release Notes for the Cisco ME 3400E Ethernet Access Switch*
- *Cisco ME 3400E Ethernet Access Switch Software Configuration Guide*
- *Cisco ME 3400E Ethernet Access Switch Command Reference*
- *Cisco ME 3400E, ME 3400, and ME 2400 Switch System Message Guide*
- *Cisco ME 3400E Ethernet Access Switch Hardware Installation Guide*

- *Cisco ME 3400E Switch Getting Started Guide*
- *Regulatory Compliance and Safety Information for the Cisco ME 3400E Ethernet Access Switch*
- *Cisco Small Form-Factor Pluggable Modules Installation Notes*
- *Cisco CWDM GBIC and CWDM SFP Installation Note*
- These compatibility matrix documents are available from this Cisco.com site:

[http://www.cisco.com/en/US/products/hw/modules/ps5455/products\\_device\\_support\\_tables\\_list.html](http://www.cisco.com/en/US/products/hw/modules/ps5455/products_device_support_tables_list.html)

- *Cisco Gigabit Ethernet Transceiver Modules Compatibility Matrix*
- *Cisco 100-Megabit Ethernet SFP Modules Compatibility Matrix*
- *Cisco Small Form-Factor Pluggable Modules Compatibility Matrix*
- *Compatibility Matrix for 1000BASE-T Small Form-Factor Pluggable Modules*

## Obtaining Documentation and Submitting a Service Request

For information on obtaining documentation, submitting a service request, and gathering additional information, see the monthly *What's New in Cisco Product Documentation*, which also lists all new and revised Cisco technical documentation, at:

<http://www.cisco.com/en/US/docs/general/whatsnew/whatsnew.html>

Subscribe to the *What's New in Cisco Product Documentation* as a Really Simple Syndication (RSS) feed and set content to be delivered directly to your desktop using a reader application. The RSS feeds are a free service and Cisco currently supports RSS version 2.0.





# CHAPTER 1

## Overview

---

This chapter provides these topics about the Cisco Metro Ethernet (ME) 3400E Series Ethernet Access switch software:

- [Features, page 1-1](#)
- [Default Settings After Initial Switch Configuration, page 1-12](#)
- [Network Configuration Examples, page 1-15](#)
- [Where to Go Next, page 1-18](#)

In this document, IP refers to IP Version 4 (IPv4) unless otherwise specified as IPv6.

## Features

The switch ships with one of these software images installed:

- The metro access image includes additional features such as IEEE 802.1Q tunneling, Layer 2 protocol tunneling, dynamic ARP inspection, and IP source guard.
- The metro IP access image adds Layer 3 functionality such as IP routing support for Routing Information Protocol (RIP), Open Shortest Path First (OSPF) Protocol, Border Gateway Protocol (BGP), and Enhanced Interior Gateway Routing Protocol (EIGRP), multiple VPN routing/forwarding on customer edge (multi-VRF-CE) devices, and IP multicast routing.



---

**Note** Unless otherwise noted, all features described in this chapter and in this guide are supported on all images.

---

Some features noted in this chapter are available only on the cryptographic (that is, supports encryption) versions of the switch software image. You must obtain authorization to use this feature and to download the cryptographic version of the software from Cisco.com. For more information, see the release notes for this release.

The Cisco ME switch has two different types of interfaces by default: network node interfaces (NNIs) to connect to the service provider network and user network interfaces (UNIs) to connect to customer networks. Some features are supported only on one of these port types. You can also configure enhanced network interfaces (ENIs). An ENI is typically a user-network facing interface and has the same default configuration and functionality as UNIs, but can be configured to support protocol control packets for Cisco Discovery Protocol (CDP), Spanning-Tree Protocol (STP), Link Layer Discovery Protocol (LLDP), and EtherChannel Link Aggregation Control Protocol (LACP) or Port Aggregation Protocol (PAgP).

- [Performance Features, page 1-2](#)
- [Management Options, page 1-3](#)
- [Manageability Features, page 1-3](#) (includes a feature requiring the cryptographic versions of the software)
- [Availability Features, page 1-5](#)
- [VLAN Features, page 1-6](#)
- [Security Features, page 1-7](#) (includes a feature requiring the cryptographic versions of the switch software)
- [Quality of Service and Class of Service Features, page 1-9](#)
- [Layer 2 Virtual Private Network Services, page 1-9](#)
- [Layer 3 Features, page 1-10](#) (requires metro IP access image)
- [Layer 3 VPN Services, page 1-11](#) (requires metro IP access image)
- [Monitoring Features, page 1-11](#)

## Performance Features

- Autosensing of port speed and autonegotiation of duplex mode on all switch ports for optimizing bandwidth
- Automatic-medium-dependent interface crossover (auto-MDIX) capability on 10/100 and 10/100/1000 Mbps interfaces and on 10/100/1000 BASE-T/TX small form-factor pluggable (SFP) module interfaces that enables the interface to automatically detect the required cable connection type (straight-through or crossover) and to configure the connection appropriately
- Support for routed frames up to 1998 bytes, for frames up to 9000 bytes that are bridged in hardware, and for frames up to 2000 bytes that are bridged by software.
- IEEE 802.3x flow control on all ports (the switch does not send pause frames)
- EtherChannel for enhanced fault tolerance and for providing up to 8 Gbps (Gigabit EtherChannel) or 800 Mbps (Fast EtherChannel) full duplex of bandwidth between switches, routers, and servers
- Port Aggregation Protocol (PAgP) and Link Aggregation Control Protocol (LACP) for automatic creation of EtherChannel links (supported only on NNIs or ENIs)
- Forwarding of Layer 2 and Layer 3 packets at Gigabit line rate
- Per-port storm control for preventing broadcast, multicast, and unicast storms
- Port blocking on forwarding unknown Layer 2 unknown unicast, multicast, and bridged broadcast traffic
- Internet Group Management Protocol (IGMP) snooping for IGMP versions 1, 2, and 3 for efficiently forwarding multimedia and multicast traffic
- IGMP report suppression for sending only one IGMP report per multicast router query to the multicast devices (supported only for IGMPv1 or IGMPv2 queries)
- IGMP snooping querier support to configure switch to generate periodic IGMP General Query messages
- IGMP Helper to allow the switch to forward a host request to join a multicast stream to a specific IP destination address (requires the metro IP access image)



- Multicast VLAN registration (MVR) to continuously send multicast streams in a multicast VLAN while isolating the streams from subscriber VLANs for bandwidth and security reasons with support for 512 multicast entries on a switch
- MVR over trunk port (MVRoT) support to allow you to configure a trunk port as an MVR receiver port
- IGMP filtering for controlling the set of multicast groups to which hosts on a switch port can belong
- IGMP throttling for configuring the action when the maximum number of entries is in the IGMP forwarding table
- IGMP configurable leave timer to configure the leave latency for the network.
- Switch Database Management (SDM) templates for allocating system resources to maximize support for user-selected features, including the dual-ipv4-and-ipv6 template for supporting IPv6 addresses
- RADIUS server load balancing to allow access and authentication requests to be distributed evenly across a server group.
- Multicast VLAN registration (MVR) enhancements include the ability to configure 2000 MVR groups when the switch is in dynamic MVR mode and a new command (**mvr ringmode flood**) to ensure that forwarding in a ring topology is limited to member ports.
- Support for configuration of an alternate MTU value to allow specific interfaces a different MTU than the global system MTU or jumbo MTU.

## Management Options

- CLI—The Cisco IOS software supports desktop- and multilayer-switching features. You can access the CLI either by connecting your management station directly to the switch console port or by using Telnet from a remote management station. For more information about the CLI, see [Chapter 2, “Using the Command-Line Interface.”](#)
- Cisco Configuration Engine—The Cisco Configuration Engine is a network management device that works with embedded Cisco IOS CNS Agents in the switch software. You can automate initial configurations and configuration updates by generating switch-specific configuration changes, sending them to the switch, executing the configuration change, and logging the results. For more information about using Cisco IOS agents, see [Chapter 4, “Configuring Cisco IOS Configuration Engine.”](#)
- SNMP—SNMP management applications such as CiscoWorks2000 LAN Management Suite (LMS) and HP OpenView. You can manage from an SNMP-compatible management station that is running platforms such as HP OpenView or SunNet Manager. The switch supports a comprehensive set of MIB extensions and four remote monitoring (RMON) groups. For more information about using SNMP, see [Chapter 30, “Configuring SNMP.”](#)

## Manageability Features



### Note

---

The encrypted Secure Shell (SSH) feature listed in this section is available only on the cryptographic versions of the switch software image.

---

- Support for DHCP for configuration of switch information (such as IP address, default gateway, hostname, and Domain Name System [DNS] and TFTP server names)

- DHCP relay for forwarding User Datagram Protocol (UDP) broadcasts, including IP address requests, from DHCP clients
- DHCP server for automatic assignment of IP addresses and other DHCP options to IP hosts
- DHCP-based autoconfiguration and image update to download a specified configuration a new image to a large number of switches
- DHCP server port-based address allocation for the preassignment of an IP address to a switch port
- Directed unicast requests to a DNS server for identifying a switch through its IP address and its corresponding hostname and to a TFTP server for administering software upgrades from a TFTP server
- Address Resolution Protocol (ARP) for identifying a switch through its IP address and its corresponding MAC address
- Unicast MAC address filtering to drop packets with specific source or destination MAC addresses
- Configurable MAC address scaling that allows disabling MAC address learning on a VLAN to limit the size of the MAC address table
- Cisco Discovery Protocol (CDP) Versions 1 and 2 for network topology discovery and mapping between the switch and other Cisco devices on the network (supported on NNIs by default, can be enabled on ENIs, not supported on UNIs)
- Link Layer Discovery Protocol (LLDP) and LLDP Media Endpoint Discovery (LLDP-MED) for interoperability with third-party IP phones (supported only on NNIs or ENIs)
- Support for the LLDP-MED location TLV that provides location information from the switch to the endpoint device.
- CDP and LLDP enhancements for exchanging location information with video end points for dynamic location-based content distribution from servers
- Network Time Protocol (NTP) for providing a consistent time stamp to all switches from an external source
- Cisco IOS File System (IFS) for providing a single interface to all file systems that the switch uses
- In-band management access for up to 16 simultaneous Telnet connections for multiple CLI-based sessions over the network
- In-band management access for up to five simultaneous, encrypted Secure Shell (SSH) connections for multiple CLI-based sessions over the network (requires the cryptographic versions of the switch software).
- In-band management access through SNMP Versions 1, 2c, and 3 get and set requests
- Out-of-band management access through the switch console port to a directly attached terminal or to a remote terminal through a serial connection or a modem
- Out-of-band management access through the Ethernet management port to a PC
- User-defined command macros for creating custom switch configurations for simplified deployment across multiple switches
- Support for metro Ethernet operation, administration, and maintenance (OAM) IEEE 802.1ag Connectivity Fault Management (CFM), Ethernet Line Management Interface (E-LMI) on customer-edge and provider-edge switches, and IEEE 802.3ah Ethernet OAM discovery, link monitoring, remote fault detection, and remote loopback, and IEEE 802.3ah Ethernet OAM discovery, link monitoring, remote fault detection, and remote loopback.

- CFM support on a customer VLAN (C-VLAN), which allows a customer to provision maintenance intermediate points (MIPs) and Up maintenance endpoints (MEPs) on a C-VLAN component to provide a customer with visibility to network traffic on the C-VLAN.
- Support for the IEEE CFM (IEEE 802.1ap) MIB, which can be used as a tool to trace paths, to verify and to manage connectivity, and to detect faults in a network.
- Support for Ethernet loopback facility for testing connectivity to a remote device including VLAN loopback for nondisruptive loopback testing and terminal loopback to test full-path QoS in both directions (requires the metro IP access image)
- Configuration replacement and rollback to replace the running configuration on a switch with any saved Cisco IOS configuration file
- Source Specific Multicast (SSM) mapping for multicast applications to provide a mapping of source to allowing IGMPv2 clients to utilize SSM, allowing listeners to connect to multicast sources dynamically and reducing dependencies on the application
- The HTTP client in Cisco IOS supports can send requests to both IPv4 and IPv6 HTTP servers, and the HTTP server in Cisco IOS can service HTTP requests from both IPv4 and IPv6 HTTP clients (requires the metro IP access image)
- IPv6 supports stateless autoconfiguration to manage link, subnet, and site addressing changes, such as management of host and mobile IP addresses (requires the metro IP access image)
- IPv6 supports stateless autoconfiguration to manage link, subnet, and site addressing changes, such as management of host and mobile IP addresses (requires the metro IP access image)
- CPU utilization threshold trap monitors CPU utilization.
- Support for including a hostname in the option 12 field of DHCPDISCOVER packets. This provides identical configuration files to be sent by using the DHCP protocol.
- DHCP Snooping enhancement to support the selection of a fixed string-based format for the circuit-id sub-option of the Option 82 DHCP field.

## Availability Features

- UniDirectional Link Detection (UDLD) and aggressive UDLD for detecting and disabling unidirectional links on fiber-optic interfaces caused by incorrect fiber-optic wiring or port faults
- IEEE 802.1D Spanning Tree Protocol (STP) for redundant backbone connections and loop-free networks (supported by default on NNIs, can be enabled on ENIs, not supported on UNIs). STP has these features:
  - Up to 128 supported spanning-tree instances
  - Per-VLAN spanning-tree plus (PVST+) for balancing load across VLANs
  - Rapid PVST+ for balancing load across VLANs and providing rapid convergence of spanning-tree instances
- IEEE 802.1s Multiple Spanning Tree Protocol (MSTP) on NNIs or ENIs for grouping VLANs into a spanning-tree instance and for providing multiple forwarding paths for data traffic and load balancing and rapid per-VLAN Spanning-Tree plus (rapid-PVST+) based on the IEEE 802.1w Rapid Spanning Tree Protocol (RSTP) for rapid convergence of the spanning tree by immediately transitioning root and designated port NNIs or spanning-tree enabled ENIs to the forwarding state

- Optional spanning-tree features available in PVST+, rapid-PVST+, and MSTP modes on NNIs and ENIs where spanning tree has been enabled:
  - Port Fast for eliminating the forwarding delay by enabling a spanning-tree port to immediately transition from the blocking state to the forwarding state
  - Bridge protocol data unit (BPDU) guard for shutting down Port Fast-enabled ports that receive BPDUs
  - BPDU filtering for preventing a Port Fast-enabled ports from sending or receiving BPDUs
  - Root guard for preventing switches outside the network core from becoming the spanning-tree root
  - Loop guard for preventing alternate or root port NNIs or ENIs from becoming designated ports because of a failure that leads to a unidirectional link
- Flex Link Layer 2 interfaces to back up one another as an alternative to STP for basic link redundancy in a nonloop network with preemptive switchover and bidirectional fast convergence, also referred to as the MAC address-table move update feature.
- Flex Link Multicast Fast Convergence to reduce the multicast traffic convergence time after a Flex Link failure
- Link-state tracking to mirror the state of the ports that carry upstream traffic from connected hosts and servers, and to allow the failover of the server traffic to an operational link on another Cisco Ethernet switch.
- Support for Resilient Ethernet Protocol (REP) for improved convergence times and network loop prevention without the use of spanning tree.
- Counter and timer enhancements to REP support.
- Support for REP edge ports when the neighbor port is not REP-capable
- HSRP for Layer 3 router redundancy (requires metro IP access image)
- Equal-cost routing for link-level and switch-level redundancy (requires metro IP access image)
- Shorter Resilient Ethernet Protocol (REP) hello: Changes the range of the REP link status layer (LSL) age timer from 3000 to 10000 ms in 500-ms intervals to 120 to 10000 ms in 40-ms intervals.

## VLAN Features

- Support for up to 1005 VLANs for assigning users to VLANs associated with appropriate network resources, traffic patterns, and bandwidth
- Support for VLAN IDs in the full 1 to 4094 range allowed by the IEEE 802.1Q standard
- VLAN Query Protocol (VQP) for dynamic VLAN membership
- IEEE 802.1Q trunking encapsulation on all ports for network moves, adds, and changes; management and control of broadcast and multicast traffic; and network security by establishing VLAN groups for high-security users and network resources
- VLAN 1 minimization for reducing the risk of spanning-tree loops or storms by allowing VLAN 1 to be disabled on any individual VLAN trunk link. With this feature enabled, no user traffic is sent or received on the trunk. The switch CPU continues to send and receive control protocol frames.
- UNI-ENI isolated VLANs to isolate customer VLANs from VLANs of other customers on the same switch. Local switching does not occur among UNIs or ENIs on the switch that belong to the same UNI-ENI isolated VLAN.

- Private VLANs to address VLAN scalability problems, to provide a more controlled IP address allocation, and to allow Layer 2 ports to be isolated from ports on other switches
- Port security on a PVLAN host to limit the number of MAC addresses learned on a port, or define which MAC addresses may be learned on a port
- VLAN Flex Link Load Balancing to provide Layer 2 redundancy without requiring Spanning Tree Protocol (STP). A pair of interfaces configured as primary and backup links can load balance traffic based on VLAN.
- VLAN mapping (or VLAN ID translation) on trunk ports connected to a customer network to map customer VLANs (C-VLANs) to service-provider VLANs (S-VLANs)

## Security Features

The switch provides security for the subscriber, the switch, and the network.

### Subscriber Security

- By default, local switching is disabled among subscriber ports to ensure that subscribers are isolated.
- DHCP snooping to filter untrusted DHCP messages between untrusted hosts and DHCP servers
- DHCP Snooping Statistics **show** and **clear** commands to display and remove DHCP snooping statistics in summary or detail form
- IP source guard to restrict traffic on nonrouted interfaces by filtering traffic based on the DHCP snooping database and IP source bindings
- Dynamic ARP inspection to prevent malicious attacks on the switch by not relaying invalid ARP requests and responses to other ports in the same VLAN

### Switch Security



#### Note

---

The Kerberos feature listed in this section is only available on the cryptographic version of the switch software.

---

- Password-protected access (read-only and read-write access) to management interfaces for protection against unauthorized configuration changes
- Configuration file security so that only authenticated and authorized users have access to the configuration file, preventing users from accessing the configuration file by using the password recovery process
- Multilevel security for a choice of security level, notification, and resulting actions
- Port security option for limiting and identifying MAC addresses of the stations allowed to access the port
- Port security aging to set the aging time for secure addresses on a port
- LLDP (Link Layer Discovery Protocol) and LLLDP-MED (Media Extensions)—Adds support for IEEE 802.1AB link layer discovery protocol for interoperability in multi-vendor networks. Switches exchange speed, duplex, and power settings with end devices such as IP Phones.
- UNI and ENI default port state is disabled

- Automatic control-plane protection to protect the CPU from accidental or malicious overload due to Layer 2 control traffic on UNIs or ENIs
- Configurable control plane security that provides service providers with the flexibility to drop customers control-plane traffic on a per-port, per-protocol basis. Allows configuring of ENI protocol control packets for CDP, STP, LLDP, (LACP, or PAgP.
- TACACS+, a proprietary feature for managing network security through a TACACS server
- RADIUS for verifying the identity of, granting access to, and tracking the actions of remote users through authentication, authorization, and accounting (AAA) services
- Kerberos security system to authenticate requests for network resources by using a trusted third party (requires the cryptographic version of the switch software)

## Network Security

- Static MAC addressing for ensuring security
- Standard and extended IP access control lists (ACLs) for defining security policies in both directions on routed interfaces (router ACLs) and VLANs and inbound on Layer 2 interfaces (port ACLs)
- IPv6 ACLs to be applied to interfaces to filter IPv6 traffic
- Extended MAC access control lists for defining security policies in the inbound direction on Layer 2 interfaces
- VLAN ACLs (VLAN maps) for providing intra-VLAN security by filtering traffic based on information in the MAC, IP, and TCP/UDP headers
- Source and destination MAC-based ACLs for filtering non-IP traffic
- IEEE 802.1x port-based authentication to prevent unauthorized devices (clients) from gaining access to the network. These features are supported:
  - VLAN assignment for restricting 802.1x-authenticated users to a specified VLAN
  - Port security for controlling access to 802.1x ports
  - 802.1x accounting to track network usage
  - 802.1x readiness check to determine the readiness of connected end hosts before configuring 802.1x on the switch
  - Network Edge Access Topology (NEAT) with 802.1x switch supplicant, host authorization with Client Information Signalling Protocol (CISP), and auto enablement to authenticate a switch outside a wiring closet as a supplicant to another switch
- Support for IP source guard on static hosts.
- IEEE 802.1x User Distribution to allow deployments with multiple VLANs (for a group of users) to improve scalability of the network by load balancing users across different VLANs. Authorized users are assigned to the least populated VLAN in the group, assigned by RADIUS server.
- Support for 3DES and AES with version 3 of the Simple Network Management Protocol (SNMPv3). This release adds support for the 168-bit Triple Data Encryption Standard (3DES) and the 128-bit, 192-bit, and 256-bit Advanced Encryption Standard (AES) encryption algorithms to SNMPv3.
- Additional IPv6 support to include IPv6 eBGP, IPv6 SNMP, Syslog, and HTTP as well as IPv6 MLD snooping.

## Quality of Service and Class of Service Features

- Configurable control-plane queue assignment to assign control plane traffic for CPU-generated traffic to a specific egress queue.
- Cisco modular quality of service (QoS) command-line (MQC) implementation
- Classification based on IP precedence, Differentiated Services Code Point (DSCP), and IEEE 802.1p class of service (CoS) packet fields, ACL lookup, or assigning a QoS label for output classification
- Policing
  - One-rate policing based on average rate and burst rate for a policer
  - Two-color policing that allows different actions for packets that conform to or exceed the rate
  - Aggregate policing for policers shared by multiple traffic classes
  - Ingress two-rate, three-color policing for individual or aggregate policers
- Weighted tail drop (WTD) as the congestion-avoidance mechanism for managing the queue lengths and providing drop precedences for different traffic classifications
- Table maps for mapping DSCP, CoS, and IP precedence values
- Queuing and Scheduling
  - Shaped round robin (SRR) traffic shaping to mix packets from all queues to minimize traffic burst
  - Class-based traffic shaping to specify a maximum permitted average rate for a traffic class
  - Port shaping to specify the maximum permitted average rate for a port
  - Class-based weighted queuing (CBWFQ) to control bandwidth to a traffic class
  - WTD to adjust queue size for a specified traffic class
  - Low-latency priority queuing to allow preferential treatment to certain traffic
- Per-port, per-VLAN QoS to control traffic carried on a user-specified VLAN for a given interface. Beginning with IOS software release 12.2(25)SEG, you can use hierarchical policy maps for per-VLAN classification and apply the per-port, per-VLAN hierarchical policy maps to trunk ports.
- The option to disable CPU protection to increase the available QoS policers from 45 to 64 per port (63 on every fourth port)
- Support for QoS classification and marking on the drop eligibility bit (DEI) in an IEEE 802.1ad frame.

## Layer 2 Virtual Private Network Services

- IEEE 802.1Q tunneling enables service providers to offer multiple point Layer 2 VPN services to customers
- Layer 2 protocol tunneling to enable customers to control protocols such as BPDU, CDP, VTP, PAgP, LACP, and UDLD protocols to be tunneled across service-provider networks.
- VLAN mapping (or VLAN ID translation) on trunk ports connected to a customer network to map customer VLANs (C-VLANs) to service-provider VLANs (S-VLANs)
- Support for the IEEE 802.1ad standard to provide VLAN scalability in provider networks, giving provider bridges the same functionality as Layer 2 protocol tunneling and QinQ bridges

- Ability to configure the split-horizon feature on an 802.1ad C-UNI or S-UNI Layer 2 switchport to prevent communication between customer-edge switches with the same VLAN IDs.

## Layer 3 Features



### Note

---

Layer 3 features are only available when the switch is running the metro IP access image.

---

- HSRP Version 1 (HSRPv1) and HSRP Version 2 (HSRPv2) for Layer 3 router redundancy
- IP routing protocols for load balancing and for constructing scalable, routed backbones:
  - RIP Versions 1 and 2
  - OSPF
  - EIGRP
  - BGP Version 4
  - IS-IS dynamic routing
  - BFD protocol Bidirectional Forwarding Detection (BFD) Protocol to detect forwarding-path failures for OSPF, IS-IS, BGP, EIGRP, or HSRP routing protocols
  - Support for the BFD Protocol on SVIs
- IP routing between VLANs (inter-VLAN routing) for full Layer 3 routing between two or more VLANs, allowing each VLAN to maintain its own autonomous data-link domain
- Policy-based routing (PBR) for configuring defined policies for traffic flows
- Static IP routing for manually building a routing table of network path information
- Equal-cost routing for load balancing and redundancy
- Internet Control Message Protocol (ICMP) and ICMP Router Discovery Protocol (IRDP) for using router advertisement and router solicitation messages to discover the addresses of routers on directly attached subnets
- Protocol-Independent Multicast (PIM) for multicast routing within the network, allowing for devices in the network to receive the multicast feed requested and for switches not participating in the multicast to be pruned. Includes support for PIM sparse mode (PIM-SM), PIM dense mode (PIM-DM), and PIM sparse-dense mode
- Support for the SSM PIM protocol to optimize multicast applications, such as video
- Multicast Source Discovery Protocol (MSDP) for connecting multiple PIM-SM domains
- DHCP relay for forwarding UDP broadcasts, including IP address requests, from DHCP clients
- DHCP for IPv6 relay, client, server address assignment and prefix delegation
- IPv6 unicast routing capability for forwarding IPv6 traffic through configured interfaces using static routing, RIP, or OSPF
- IPv6 default router preference (DRP) for improving the ability of a host to select an appropriate router
- Support for EIGRP IPv6, which utilizes IPv6 transport, communicates with IPv6 peers, and advertises IPv6 routes



## Layer 3 VPN Services

These features are available only when the switch is running the metro IP access image.

- Multiple VPN routing/forwarding (multi-VRF) instances in customer edge devices (multi-VRF CE) to allow service providers to support multiple virtual private networks (VPNs) and overlap IP addresses between VPNs
- Multicast virtual routing and forwarding (VRF) Lite for configuring multiple private routing domains for network virtualization and virtual private multicast networks
- VRF and EIGRP compatibility

## Monitoring Features

- Switch LEDs that provide port- and switch-level status
- Configurable external alarm inputs, as well as alarms to identify a missing or malfunctioning power supply or a power supply with no input.
- MAC address notification traps and RADIUS accounting for tracking users on a network by storing the MAC addresses that the switch has learned or removed
- Switched Port Analyzer (SPAN) and Remote SPAN (RSPAN) for traffic monitoring on any port or VLAN
- SPAN and RSPAN support of Intrusion Detection Systems (IDS) to monitor, repel, and report network security violations
- Four groups (history, statistics, alarms, and events) of embedded RMON agents for network monitoring and traffic analysis
- Syslog facility for logging system messages about authentication or authorization errors, resource issues, and time-out events
- Layer 2 traceroute to identify the physical path that a packet takes from a source device to a destination device
- Time Domain Reflector (TDR) to diagnose and resolve cabling problems on copper Ethernet 10/100 ports
- SFP module diagnostic management interface to monitor physical or operational status of an SFP module
- Online diagnostics to test the hardware functionality switch while the switch is connected to a live network
- On-board failure logging (OBFL) to collect information about the switch and the power supplies connected to it
- Enhanced object tracking for HSRP clients (requires metro IP access image)
- IP Service Level Agreements (IP SLAs) support to measure network performance by using active traffic monitoring.
- IP SLAs EOT to use the output from IP SLAs tracking operations triggered by an action such as latency, jitter, or packet loss for a standby router failover takeover.
- EOT and IP SLAs EOT static route support to identify when a preconfigured static route or a DHCP route goes down.

- IP SLAs for Metro Ethernet using IEEE 802.1ag Ethernet Operation, Administration, and Maintenance (OAM) capability to validate connectivity, jitter, and latency in a metro Ethernet network.
- Embedded event manager (EEM) for device and system management to monitor key system events and then act on them through a policy
- Support for EEM 3.2, which introduces event detectors for Neighbor Discovery, Identity, and MAC-Address-Table.
- Support for the TWAMP standard for measuring round-trip network performance between any two devices that support the protocol.

## Default Settings After Initial Switch Configuration

The switch is designed for plug-and-play operation; you only need to assign basic IP information to the switch and connect it to the other devices in your network. If you have specific network needs, you can change the interface-specific and system-wide settings.



**Note** For information about assigning an IP address by using the CLI-based setup program, see the hardware installation guide.

If you do not configure the switch at all, the Cisco ME 3400E switch operates with the default settings shown in [Table 1-1](#).

**Table 1-1** Default Settings After Initial Switch Configuration

Feature	Default Setting	More information in...
Switch IP address, subnet mask, and default gateway	0.0.0.0	<a href="#">Chapter 3, “Assigning the Switch IP Address and Default Gateway”</a>
Domain name	None	
Passwords	None defined	<a href="#">Chapter 5, “Administering the Switch”</a>
TACACS+	Disabled	
RADIUS	Disabled	
System name and prompt	<i>Switch</i>	
NTP	Enabled	
DNS	Enabled	
IEEE 802.1x	Disabled	<a href="#">Chapter 9, “Configuring IEEE 802.1x Port-Based Authentication”</a>
<b>DHCP</b>		
• DHCP client	Enabled	<a href="#">Chapter 3, “Assigning the Switch IP Address and Default Gateway”</a> <a href="#">Chapter 20, “Configuring DHCP Features and IP Source Guard”</a>
• DHCP server	Enabled if the device acting as a DHCP server is configured and is enabled	
• DHCP relay agent	Enabled (if the device is acting as a DHCP relay agent and is configured and enabled)	
<b>Port parameters</b>		

Table 1-1 Default Settings After Initial Switch Configuration (continued)

Feature	Default Setting	More information in...
<ul style="list-style-type: none"> <li>Port type</li> </ul>	Gigabit Ethernet: NNI, Fast Ethernet ports: UNI	<a href="#">Chapter 10, “Configuring Interfaces”</a>
<ul style="list-style-type: none"> <li>Operating mode</li> </ul>	Layer 2 (switchport)	
<ul style="list-style-type: none"> <li>Port enable state</li> </ul>	Enabled for NNIs; disabled for UNIs and ENIs	
<ul style="list-style-type: none"> <li>Interface speed and duplex mode</li> </ul>	Autonegotiate	
<ul style="list-style-type: none"> <li>Auto-MDIX</li> </ul>	Enabled	
<ul style="list-style-type: none"> <li>Flow control</li> </ul>	Off	
Command Macros	None configured	<a href="#">Chapter 11, “Configuring Command Macros”</a>
<b>VLANs</b>		
<ul style="list-style-type: none"> <li>Default VLAN</li> </ul>	VLAN 1	<a href="#">Chapter 12, “Configuring VLANs”</a>
<ul style="list-style-type: none"> <li>VLAN interface mode</li> </ul>	Access	
<ul style="list-style-type: none"> <li>VLAN type</li> </ul>	UNI isolated	
<ul style="list-style-type: none"> <li>Private VLANs</li> </ul>	None configured	<a href="#">Chapter 13, “Configuring Private VLANs”</a>
Dynamic ARP inspection	Disabled on all VLANs	<a href="#">Chapter 21, “Configuring Dynamic ARP Inspection”</a>
<b>Tunneling</b>		
<ul style="list-style-type: none"> <li>802.1Q tunneling</li> </ul>	Disabled	<a href="#">Chapter 14, “Configuring IEEE 802.1Q Tunneling, VLAN Mapping, 802.1ad, and Layer 2 Protocol Tunneling”</a>
<ul style="list-style-type: none"> <li>Layer 2 protocol tunneling</li> </ul>	Disabled	
<b>Spanning Tree Protocol</b>		
<ul style="list-style-type: none"> <li>STP</li> </ul>	Rapid PVST+ enabled on NNIs in VLAN 1	<a href="#">Chapter 15, “Configuring STP”</a>
<ul style="list-style-type: none"> <li>MSTP</li> </ul>	Disabled (not supported on UNIs, can be configured on ENIs)	<a href="#">Chapter 16, “Configuring MSTP”</a>
<ul style="list-style-type: none"> <li>Optional spanning-tree features</li> </ul>	Disabled (not supported on UNIs, can be configured on ENIs)	<a href="#">Chapter 17, “Configuring Optional Spanning-Tree Features”</a>
Resilient Ethernet Protocol	Not configured	<a href="#">Chapter 18, “Configuring Resilient Ethernet Protocol”</a>
Flex Links	Not configured	<a href="#">Chapter 19, “Configuring Flex Links and the MAC Address-Table Move Update Feature”</a>
DHCP snooping	Disabled	<a href="#">Chapter 20, “Configuring DHCP Features and IP Source Guard”</a>
IP source guard	Disabled	<a href="#">Chapter 20, “Configuring DHCP Features and IP Source Guard”</a>

Table 1-1 Default Settings After Initial Switch Configuration (continued)

Feature	Default Setting	More information in...
<b>IGMP snooping</b>		
• IGMP snooping	Enabled	Chapter 22, “Configuring IGMP Snooping and MVR”
• IGMP filters	None applied	
• IGMP querier	Disabled	
• MVR	Disabled	
IGMP throttling	Deny	Chapter 22, “Configuring IGMP Snooping and MVR”
<b>Port-based Traffic Control</b>		
• Broadcast, multicast, and unicast storm control	Disabled	Chapter 23, “Configuring Port-Based Traffic Control”
• Protected ports	None defined	
• Unicast and multicast traffic flooding	Not blocked	
• Secure ports	None configured	
CDP	Enabled on NNIs, disabled on ENIs, not supported on UNIs	Chapter 24, “Configuring CDP”
LLDP	Disabled (not supported on UNIs)	Chapter 25, “Configuring LLDP and LLDP-MED”
UDLD	Disabled	Chapter 26, “Configuring UDLD”
SPAN and RSPAN	Disabled	Chapter 27, “Configuring SPAN and RSPAN”
RMON	Disabled	Chapter 28, “Configuring RMON”
Syslog messages	Enabled; displayed on the console	Chapter 29, “Configuring System Message Logging”
SNMP	Enabled; Version 1	Chapter 30, “Configuring SNMP”
ACLs	None configured	Chapter 32, “Configuring Network Security with ACLs”
QoS	Not configured	Chapter 34, “Configuring QoS”
EtherChannels	None configured	Chapter 35, “Configuring EtherChannels and Link-State Tracking”
<b>IP unicast routing</b>		
• IP routing and routing protocols	Disabled	Chapter 36, “Configuring IP Unicast Routing”
• Multi-VRF-CE	Disabled	
HSRP groups (requires metro IP access image)	None configured	Chapter 40, “Configuring HSRP”
Cisco IOS IP SLAs	Not configured	Chapter 41, “Configuring Cisco IOS IP SLAs Operations”
Enhanced object tracking	No tracked objects or list configured	Chapter 42, “Configuring Enhanced Object Tracking”

**Table 1-1** *Default Settings After Initial Switch Configuration (continued)*

Feature	Default Setting	More information in...
IP multicast routing (requires metro IP access image)	Disabled on all interfaces	<a href="#">Chapter 44, “Configuring IP Multicast Routing”</a>
MSDP (requires metro IP access image)	Disabled	<a href="#">Chapter 45, “Configuring MSDP”</a>
Ethernet OAM		
• CFM	Disabled globally, enabled per interface	<a href="#">Chapter 43, “Configuring Ethernet OAM, CFM, and E-LMI”</a>
• E-LMI	Disabled globally	
• Ethernet OAM protocol (IEEE 802.3ah)	Disabled on all interfaces	

## Network Configuration Examples

This section provides network configuration concepts and includes examples of using the switch to create dedicated network segments and interconnecting the segments through Fast Ethernet and Gigabit Ethernet connections.

- [“Multidwelling or Ethernet-to-the-Subscriber Network” section on page 1-15](#)
- [“Layer 2 VPN Application” section on page 1-16](#)
- [“Multi-VRF CE Application” section on page 1-17](#)

## Multidwelling or Ethernet-to-the-Subscriber Network

Metro Ethernet provides the access technology for service providers deploying voice, video, and Internet access services to metropolitan areas. The Metro Ethernet user-facing provider edge (UPE) switches provide economical bandwidth and the security and the QoS needed for these services.

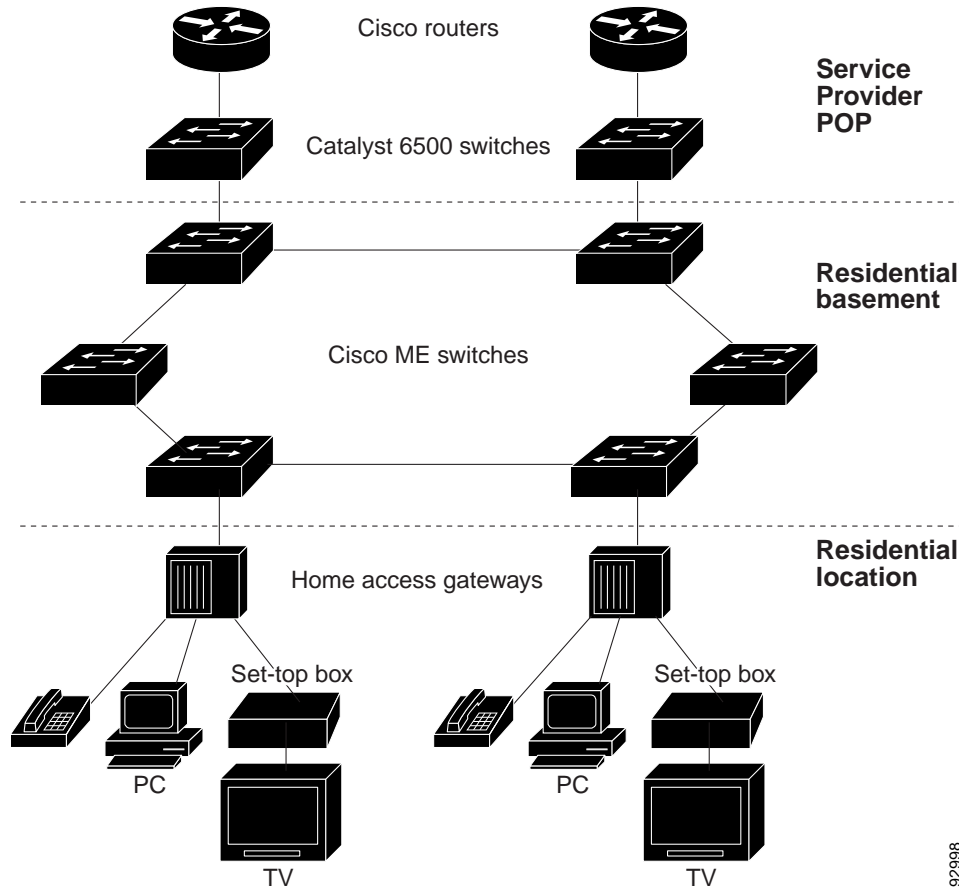
[Figure 1-1](#) shows a Gigabit Ethernet ring for a residential location, serving multitenant units by using Cisco ME 3400E Ethernet Access switches connected through 1000BASE-X SFP module ports. Cisco ME switches used as residential switches provide customers with high-speed connections to the service provider point-of presence (POP).

Home access gateways are connected to the ME switches through UNIs or ENIs configured as 802.1Q trunks. Because the default behavior on these ports allows no local switching between the ports, the subscribers are protected from each other. UNIs also do not process control protocols from customers, so denial-of-service attacks are avoided. The Cisco ME switch also provides mechanisms such as port security and IP Source Guard to protect against MAC or IP spoofing. By using advanced access control lists, the service providers have granular control of the types of traffic to enter the network.

To provide differential QoS treatment for different types of traffic, the Cisco ME switch can identify, police, mark, and schedule traffic types based on Layer 2 to Layer 4 information. The Cisco modular QoS command-line interface (CLI), or MQC, on Cisco ME switches provides an efficient method of QoS configuration. You can configure a policer on ingress UNIs to ensure that a customer can send only the amount of bandwidth paid for. On egress NNIs, you can use four different queues to provide different levels of priority for different types of traffic. One queue can be assigned as a low-latency queue to provide expedited service for latency sensitive traffic such as voice. You can also configure a rate-limiter on the low-latency queues to prevent other queues from being deprived due to misconfiguration.

When an end station in one VLAN needs to communicate with an end station in another VLAN, a router or switch routes the traffic to the appropriate destination VLAN, providing inter-VLAN routing. VLAN access control lists (VLAN maps) provide intra-VLAN security and prevent unauthorized users from accessing critical pieces of the network. The routers also provide firewall services, Network Address Translation (NAT) services, voice-over-IP (VoIP) gateway services, and WAN and Internet access.

Figure 1-1 Cisco ME Switches in a Multidwelling Configuration



92998

## Layer 2 VPN Application

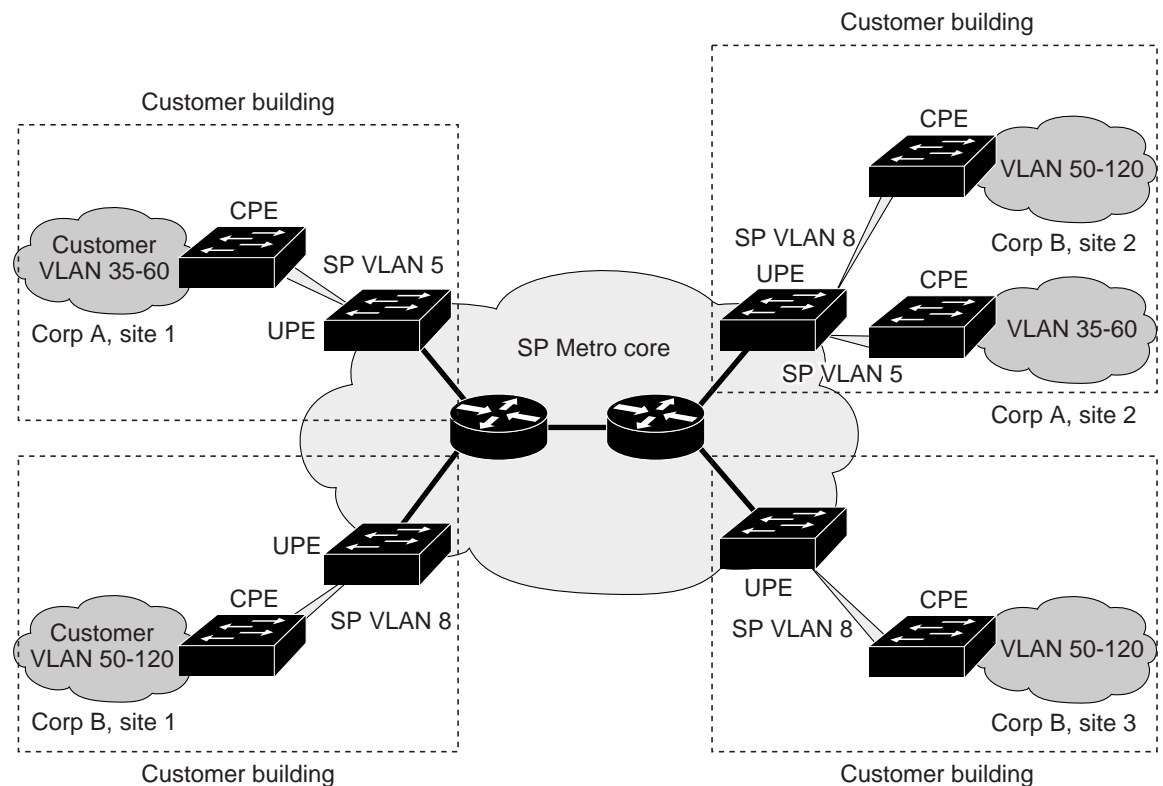
Enterprise customers need not only high bandwidth, but also the ability to extend their private network across the service provider’s shared infrastructure. With Ethernet in the WAN network, service providers can meet the bandwidth requirements of enterprise customers and use VPN features to extend customers’ networks.

Enterprise customers can use Layer 2 VPN to transparently move any type of traffic across a service-provider network, and create virtual pipes across the service provider infrastructure. In contrast to Layer 3 VPN service, Layer 2 VPN lowers operational expenses by minimizing enterprise user-facing provider edge (UPE) switch configuration and management. You can use Cisco ME 3400 switches to form Layer 2 VPNs so that customers at different locations can exchange information through a service-provider network without requiring dedicated connections.

In [Figure 1-2](#), Cisco ME 3400E switches are used as UPEs in customer sites connected to customer-premises equipment (CPE) switches. The switches can tag customer traffic with the service-provider VLAN ID on top of the customer's IEEE 802.1Q tag. By supporting double tags, the Cisco ME 3400 switch provides a virtual tunnel for each customer and prevents VLAN ID overlaps between customers. In addition to data-plane separation, the Cisco ME 3400 switch can also tunnel the customer's control protocols. With Layer 2 protocol tunneling, the switch can encapsulate each customer's control-plane traffic and send it transparently across the service-provider network.

See [Chapter 14, "Configuring IEEE 802.1Q Tunneling, VLAN Mapping, 802.1ad, and Layer 2 Protocol Tunneling,"](#) for more information on configuring these features.

**Figure 1-2** Layer 2 VPN Configuration



UPE = Cisco ME 3400 switch

92997

## Multi-VRF CE Application

A VPN is a collection of sites sharing a common routing table. A customer site is connected to the service-provider network by one or more interfaces, and the service provider associates each interface with a VPN routing table, called a VPN routing/forwarding (VRF) table. Multiple VPN routing/forwarding (multi-VRF) instances in customer edge (CE) devices (multi-VRF CE) allows a service provider to support two or more VPNs with overlapping IP addresses.

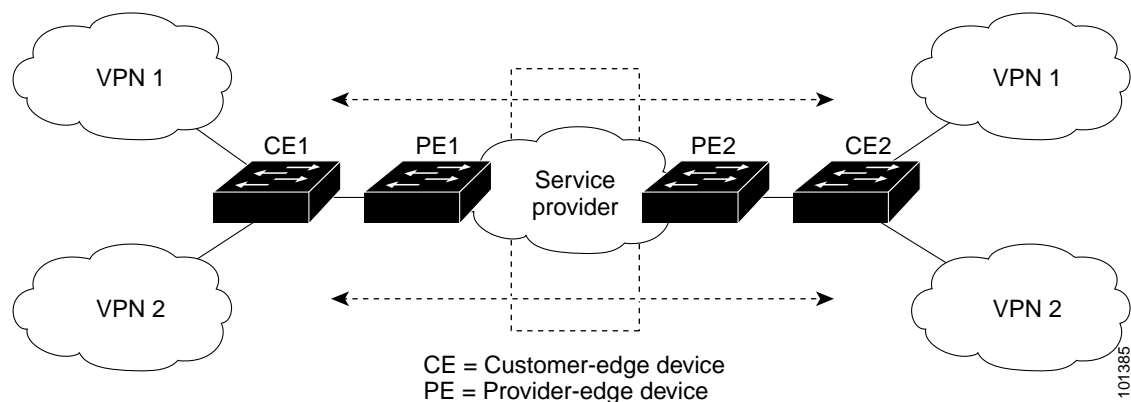
Multi-VRF CE includes these devices:

- Customer edge (CE) devices provide customers access to the service-provider network over a data link to one or more provider edge routers. The CE device advertises the site's local routes to the router and learns the remote VPN routes from the router. The Cisco ME 3400 switch can be a CE device.
- Provider edge (PE) routers exchange routing information with CE devices by using static routing or a routing protocol such as BGP, RIPv2, OSPF, or EIGRP. The PE is only required to maintain VPN routes for directly attached VPNs. It does not need to maintain all of the service-provider VPN routes. Each PE router maintains a VRF for each of its directly connected sites.
- Provider routers or core routers are any routers in the service provider network that do not attach to CE devices.

With multi-VRF CE, multiple customers can share one CE, and only one physical link is used between the CE and the PE. The shared CE maintains separate VRF tables for each customer and switches or routes packets for each customer based on its own routing table. Multi-VRF CE extends limited PE functionality to a CE device, giving it the ability to maintain separate VRF tables to extend the privacy and security of a VPN to the branch office.

Figure 1-3 shows a configuration using Cisco ME 3400E switches as multiple virtual CEs. This scenario is suited for customers who have low bandwidth requirements for their VPN service, for example, small companies. In this case, multi-VRF CE support is required in the Cisco ME switches. Because multi-VRF CE is a Layer 3 feature, each interface in a VRF must be a Layer 3 interface.

Figure 1-3 Multiple Virtual CEs



See the “[Configuring Multi-VRF CE](#)” section on page 36-82 for more information about Multi-VRF-CE.

## Where to Go Next

Before configuring the switch, review these sections for startup information:

- [Chapter 2, “Using the Command-Line Interface”](#)
- [Chapter 3, “Assigning the Switch IP Address and Default Gateway”](#)
- [Chapter 4, “Configuring Cisco IOS Configuration Engine”](#)





## CHAPTER 2

# Using the Command-Line Interface

---

This chapter describes the Cisco IOS command-line interface (CLI) and how to use it to configure your Cisco ME 3400E Ethernet Access switch. It contains these sections:

- [Understanding Command Modes, page 2-1](#)
- [Understanding the Help System, page 2-3](#)
- [Understanding Abbreviated Commands, page 2-3](#)
- [Understanding no and default Forms of Commands, page 2-4](#)
- [Understanding CLI Error Messages, page 2-4](#)
- [Using Command History, page 2-4](#)
- [Using Editing Features, page 2-6](#)
- [Searching and Filtering Output of show and more Commands, page 2-8](#)
- [Accessing the CLI, page 2-9](#)

## Understanding Command Modes

The Cisco IOS user interface is divided into many different modes. The commands available to you depend on which mode you are currently in. Enter a question mark (?) at the system prompt to obtain a list of commands available for each command mode.

When you start a session on the switch, you begin in user mode, often called user EXEC mode. Only a limited subset of the commands are available in user EXEC mode. For example, most of the user EXEC commands are one-time commands, such as **show** commands, which show the current configuration status, and **clear** commands, which clear counters or interfaces. The user EXEC commands are not saved when the switch reboots.

To have access to all commands, you must enter privileged EXEC mode. Normally, you must enter a password to enter privileged EXEC mode. From this mode, you can enter any privileged EXEC command or enter global configuration mode.

Using the configuration modes (global, interface, and line), you can make changes to the running configuration. If you save the configuration, these commands are stored and used when the switch reboots. To access the various configuration modes, you must start at global configuration mode. From global configuration mode, you can enter interface configuration mode and line configuration mode.

[Table 2-1](#) describes the main command modes, how to access each one, the prompt you see in that mode, and how to exit the mode. The examples in the table use the hostname *Switch*.

Table 2-1 Command Mode Summary

Mode	Access Method	Prompt	Exit Method	About This Mode
User EXEC	Begin a session with your switch.	Switch>	Enter <b>logout</b> or <b>quit</b> .	Use this mode to <ul style="list-style-type: none"> <li>Change terminal settings.</li> <li>Perform basic tests.</li> <li>Display system information.</li> </ul>
Privileged EXEC	While in user EXEC mode, enter the <b>enable</b> command.	Switch#	Enter <b>disable</b> to exit.	Use this mode to verify commands that you have entered. Use a password to protect access to this mode.
Global configuration	While in privileged EXEC mode, enter the <b>configure</b> command.	Switch(config)#	To exit to privileged EXEC mode, enter <b>exit</b> or <b>end</b> , or press <b>Ctrl-Z</b> .	Use this mode to configure parameters that apply to the entire switch.
VLAN configuration	While in global configuration mode, enter the <b>vlan</b> <i>vlan-id</i> command.	Switch(config-vlan)#	To exit to global configuration mode, enter the <b>exit</b> command.  To return to privileged EXEC mode, press <b>Ctrl-Z</b> or enter <b>end</b> .	Use this mode to configure VLAN parameters.
Interface configuration	While in global configuration mode, enter the <b>interface</b> command (with a specific interface).	Switch(config-if)#	To exit to global configuration mode, enter <b>exit</b> .  To return to privileged EXEC mode, press <b>Ctrl-Z</b> or enter <b>end</b> .	Use this mode to configure parameters for the Ethernet ports.  For information about defining interfaces, see the <a href="#">“Using Interface Configuration Mode”</a> section on page 10-8.  To configure multiple interfaces with the same parameters, see the <a href="#">“Configuring a Range of Interfaces”</a> section on page 10-9.
Line configuration	While in global configuration mode, specify a line with the <b>line vty</b> or <b>line console</b> command.	Switch(config-line)#	To exit to global configuration mode, enter <b>exit</b> .  To return to privileged EXEC mode, press <b>Ctrl-Z</b> or enter <b>end</b> .	Use this mode to configure parameters for the terminal line.

For more detailed information on the command modes, see the command reference guide for this release.

# Understanding the Help System

You can enter a question mark (?) at the system prompt to display a list of commands available for each command mode. You can also obtain a list of associated keywords and arguments for any command, as shown in [Table 2-2](#).

**Table 2-2** Help Summary

Command	Purpose
<b>help</b>	Obtain a brief description of the help system in any command mode.
<i>abbreviated-command-entry?</i>	Obtain a list of commands that begin with a particular character string.  For example:  Switch# <b>di?</b> dir disable disconnect
<i>abbreviated-command-entry&lt;Tab&gt;</i>	Complete a partial command name.  For example:  Switch# <b>sh conf</b> <tab> Switch# <b>show configuration</b>
<b>?</b>	List all commands available for a particular command mode.  For example:  Switch> <b>?</b>
<i>command ?</i>	List the associated keywords for a command.  For example:  Switch> <b>show ?</b>
<i>command keyword ?</i>	List the associated arguments for a keyword.  For example:  Switch(config)# <b>cdp holdtime ?</b> <10-255> Length of time (in sec) that receiver must keep this packet

## Understanding Abbreviated Commands

You need to enter only enough characters for the switch to recognize the command as unique.

This example shows how to enter the **show configuration** privileged EXEC command in an abbreviated form:

```
Switch# show conf
```

## Understanding no and default Forms of Commands

Almost every configuration command also has a **no** form. In general, use the **no** form to disable a feature or function or reverse the action of a command. For example, the **no shutdown** interface configuration command reverses the shutdown of an interface. Use the command without the keyword **no** to re-enable a disabled feature or to enable a feature that is disabled by default.

Configuration commands can also have a **default** form. The **default** form of a command returns the command setting to its default. Most commands are disabled by default, so the **default** form is the same as the **no** form. However, some commands are enabled by default and have variables set to certain default values. In these cases, the **default** command enables the command and sets variables to their default values.

## Understanding CLI Error Messages

Table 2-3 lists some error messages that you might encounter while using the CLI to configure your switch.

**Table 2-3** Common CLI Error Messages

Error Message	Meaning	How to Get Help
% Ambiguous command: "show con"	You did not enter enough characters for your switch to recognize the command.	Re-enter the command followed by a question mark (?) with a space between the command and the question mark.  The possible keywords that you can enter with the command appear.
% Incomplete command.	You did not enter all the keywords or values required by this command.	Re-enter the command followed by a question mark (?) with a space between the command and the question mark.  The possible keywords that you can enter with the command appear.
% Invalid input detected at '^' marker.	You entered the command incorrectly. The caret (^) marks the point of the error.	Enter a question mark (?) to display all the commands that are available in this command mode.  The possible keywords that you can enter with the command appear.

## Using Command History

The software provides a history or record of commands that you have entered. The command history feature is particularly useful for recalling long or complex commands or entries, including access lists. You can customize this feature to suit your needs as described in these sections:

- [Changing the Command History Buffer Size, page 2-5](#) (optional)
- [Recalling Commands, page 2-5](#) (optional)
- [Disabling the Command History Feature, page 2-5](#) (optional)

## Changing the Command History Buffer Size

By default, the switch records ten command lines in its history buffer. You can alter this number for a current terminal session or for all sessions on a particular line. These procedures are optional.

Beginning in privileged EXEC mode, enter this command to change the number of command lines that the switch records during the current terminal session:

```
Switch# terminal history [size number-of-lines]
```

The range is from 0 to 256.

Beginning in line configuration mode, enter this command to configure the number of command lines the switch records for all sessions on a particular line:

```
Switch(config-line)# history [size number-of-lines]
```

The range is from 0 to 256.

## Recalling Commands

To recall commands from the history buffer, perform one of the actions listed in [Table 2-4](#). These actions are optional.

**Table 2-4**      *Recalling Commands*

Action <sup>1</sup>	Result
Press <b>Ctrl-P</b> or the up arrow key.	Recall commands in the history buffer, beginning with the most recent command. Repeat the key sequence to recall successively older commands.
Press <b>Ctrl-N</b> or the down arrow key.	Return to more recent commands in the history buffer after recalling commands with <b>Ctrl-P</b> or the up arrow key. Repeat the key sequence to recall successively more recent commands.
<b>show history</b>	While in privileged EXEC mode, list the last several commands that you just entered. The number of commands that appear is controlled by the setting of the <b>terminal history</b> global configuration command and the <b>history</b> line configuration command.

1. The arrow keys function only on ANSI-compatible terminals such as VT100s.

## Disabling the Command History Feature

The command history feature is automatically enabled. You can disable it for the current terminal session or for the command line. These procedures are optional.

To disable the feature during the current terminal session, enter the **terminal no history** privileged EXEC command.

To disable command history for the line, enter the **no history** line configuration command.

# Using Editing Features

This section describes the editing features that can help you manipulate the command line.

- [Enabling and Disabling Editing Features, page 2-6](#) (optional)
- [Editing Commands through Keystrokes, page 2-6](#) (optional)
- [Editing Command Lines that Wrap, page 2-8](#) (optional)

## Enabling and Disabling Editing Features

Although enhanced editing mode is automatically enabled, you can disable it, re-enable it, or configure a specific line to have enhanced editing. These procedures are optional.

To globally disable enhanced editing mode, enter this command in line configuration mode:

```
Switch (config-line)# no editing
```

To re-enable the enhanced editing mode for the current terminal session, enter this command in privileged EXEC mode:

```
Switch# terminal editing
```

To reconfigure a specific line to have enhanced editing mode, enter this command in line configuration mode:

```
Switch(config-line)# editing
```

## Editing Commands through Keystrokes

[Table 2-5](#) shows the keystrokes that you need to edit command lines. These keystrokes are optional.

**Table 2-5** Editing Commands through Keystrokes

Capability	Keystroke <sup>1</sup>	Purpose
Move around the command line to make changes or corrections.	Press <b>Ctrl-B</b> , or press the left arrow key.	Move the cursor back one character.
	Press <b>Ctrl-F</b> , or press the right arrow key.	Move the cursor forward one character.
	Press <b>Ctrl-A</b> .	Move the cursor to the beginning of the command line.
	Press <b>Ctrl-E</b> .	Move the cursor to the end of the command line.
	Press <b>Esc B</b> .	Move the cursor back one word.
	Press <b>Esc F</b> .	Move the cursor forward one word.
	Press <b>Ctrl-T</b> .	Transpose the character to the left of the cursor with the character located at the cursor.
Recall commands from the buffer and paste them in the command line. The switch provides a buffer with the last ten items that you deleted.	Press <b>Ctrl-Y</b> .	Recall the most recent entry in the buffer.

Table 2-5 Editing Commands through Keystrokes (continued)

Capability	Keystroke <sup>1</sup>	Purpose
	Press <b>Esc Y</b> .	Recall the next buffer entry. The buffer contains only the last 10 items that you have deleted or cut. If you press <b>Esc Y</b> more than ten times, you cycle to the first buffer entry.
Delete entries if you make a mistake or change your mind.	Press the <b>Delete</b> or <b>Backspace</b> key.	Erase the character to the left of the cursor.
	Press <b>Ctrl-D</b> .	Delete the character at the cursor.
	Press <b>Ctrl-K</b> .	Delete all characters from the cursor to the end of the command line.
	Press <b>Ctrl-U</b> or <b>Ctrl-X</b> .	Delete all characters from the cursor to the beginning of the command line.
	Press <b>Ctrl-W</b> .	Delete the word to the left of the cursor.
	Press <b>Esc D</b> .	Delete from the cursor to the end of the word.
Capitalize or lowercase words or capitalize a set of letters.	Press <b>Esc C</b> .	Capitalize at the cursor.
	Press <b>Esc L</b> .	Change the word at the cursor to lowercase.
	Press <b>Esc U</b> .	Capitalize letters from the cursor to the end of the word.
Designate a particular keystroke as an executable command, perhaps as a shortcut.	Press <b>Ctrl-V</b> or <b>Esc Q</b> .	
Scroll down a line or screen on displays that are longer than the terminal screen can display.  <b>Note</b> The More prompt is used for any output that has more lines than can be displayed on the terminal screen, including <b>show</b> command output. You can use the <b>Return</b> and <b>Space</b> bar keystrokes whenever you see the More prompt.	Press the <b>Return</b> key.	Scroll down one line.
	Press the <b>Space</b> bar.	Scroll down one screen.
Redisplay the current command line if the switch suddenly sends a message to your screen.	Press <b>Ctrl-L</b> or <b>Ctrl-R</b> .	Redisplay the current command line.

1. The arrow keys function only on ANSI-compatible terminals such as VT100s.

## Editing Command Lines that Wrap

You can use a wraparound feature for commands that extend beyond a single line on the screen. When the cursor reaches the right margin, the command line shifts ten spaces to the left. You cannot see the first ten characters of the line, but you can scroll back and check the syntax at the beginning of the command. The keystroke actions are optional.

To scroll back to the beginning of the command entry, press **Ctrl-B** or the left arrow key repeatedly. You can also press **Ctrl-A** to immediately move to the beginning of the line.



Note

The arrow keys function only on ANSI-compatible terminals such as VT100s.

In this example, the **access-list** global configuration command entry extends beyond one line. When the cursor first reaches the end of the line, the line is shifted ten spaces to the left and redisplayed. The dollar sign (\$) shows that the line has been scrolled to the left. Each time the cursor reaches the end of the line, the line is again shifted ten spaces to the left.

```
Switch(config)# access-list 101 permit tcp 131.108.2.5 255.255.255.0 131.108.1
Switch(config)# $ 101 permit tcp 131.108.2.5 255.255.255.0 131.108.1.20 255.25
Switch(config)# $t tcp 131.108.2.5 255.255.255.0 131.108.1.20 255.255.255.0 eq
Switch(config)# $108.2.5 255.255.255.0 131.108.1.20 255.255.255.0 eq 45
```

After you complete the entry, press **Ctrl-A** to check the complete syntax before pressing the **Return** key to execute the command. The dollar sign (\$) appears at the end of the line to show that the line has been scrolled to the right:

```
Switch(config)# access-list 101 permit tcp 131.108.2.5 255.255.255.0 131.108.1$
```

The software assumes you have a terminal screen that is 80 columns wide. If you have a width other than that, use the **terminal width** privileged EXEC command to set the width of your terminal.

Use line wrapping with the command history feature to recall and modify previous complex command entries. For information about recalling previous command entries, see the [“Editing Commands through Keystrokes”](#) section on page 2-6.

## Searching and Filtering Output of show and more Commands

You can search and filter the output for **show** and **more** commands. This is useful when you need to sort through large amounts of output or if you want to exclude output that you do not need to see. Using these commands is optional.

To use this functionality, enter a **show** or **more** command followed by the *pipe* character (`|`), one of the keywords **begin**, **include**, or **exclude**, and an expression that you want to search for or filter out:

```
command | {begin | include | exclude} regular-expression
```

Expressions are case sensitive. For example, if you enter **| exclude output**, the lines that contain *output* are not displayed, but the lines that contain *Output* appear.

This example shows how to include in the output display only lines where the expression *protocol* appears:

```
Switch# show interfaces | include protocol
Vlan1 is up, line protocol is up
Vlan10 is up, line protocol is down
GigabitEthernet0/1 is up, line protocol is down
GigabitEthernet0/2 is up, line protocol is up
```



# Accessing the CLI

You can access the CLI through a console connection, through Telnet, or by using the browser.

## Accessing the CLI through a Console Connection or through Telnet

Before you can access the CLI, you must connect a terminal or PC to the switch console port and power on the switch as described in the hardware installation guide that shipped with your switch. Then, to understand the boot process and the options available for assigning IP information, see [Chapter 3, “Assigning the Switch IP Address and Default Gateway.”](#)

If your switch is already configured, you can access the CLI through a local console connection or through a remote Telnet session, but your switch must first be configured for this type of access. For more information, see the [“Setting a Telnet Password for a Terminal Line” section on page 8-6.](#)

You can use one of these methods to establish a connection with the switch:

- Connect the switch console port to a management station or dial-up modem. For information about connecting to the console port, see the switch hardware installation guide.
- Use any Telnet TCP/IP or encrypted Secure Shell (SSH) package from a remote management station. The switch must have network connectivity with the Telnet or SSH client, and the switch must have an enable secret password configured.

For information about configuring the switch for Telnet access, see the [“Setting a Telnet Password for a Terminal Line” section on page 8-6.](#) The switch supports up to 16 simultaneous Telnet sessions. Changes made by one Telnet user are reflected in all other Telnet sessions.

For information about configuring the switch for SSH, see the [“Configuring the Switch for Secure Shell” section on page 8-37.](#) The switch supports up to five simultaneous secure SSH sessions.

After you connect through the console port, through a Telnet session or through an SSH session, the user EXEC prompt appears on the management station.





# CHAPTER 3

## Assigning the Switch IP Address and Default Gateway

This chapter describes how to create the initial switch configuration (for example, assigning the switch IP address and default gateway information) for the Cisco Metro Ethernet (ME) 3400E Ethernet Access switch by using a variety of automatic and manual methods. It also describes how to modify the switch startup configuration.



### Note

For complete syntax and usage information for the commands used in this chapter, see the command reference for this release and to the *Cisco IOS Software Documentation, 12.2 Mainline Release, Command References, Volume 1 of 3: Addressing and Services*.

This chapter consists of these sections:

- [Understanding the Boot Process, page 3-1](#)
- [Assigning Switch Information, page 3-2](#)
- [Checking and Saving the Running Configuration, page 3-15](#)
- [Modifying the Startup Configuration, page 3-18](#)
- [Scheduling a Reload of the Software Image, page 3-23](#)



### Note

Information in this chapter about configuring IP addresses and DHCP is specific to IP Version 4 (IPv4).

## Understanding the Boot Process

To start your switch, you need to follow the procedures in the hardware installation guide about installing and powering on the switch and setting up the initial configuration (IP address, subnet mask, default gateway, secret and Telnet passwords, and so forth) of the switch.

The normal boot process involves the operation of the boot loader software, which performs these functions:

- Performs low-level CPU initialization. It initializes the CPU registers, which control where physical memory is mapped, its quantity, its speed, and so forth.
- Performs power-on self-test (POST) for the CPU subsystem. It tests the CPU DRAM and the portion of the flash device that makes up the flash file system.

- Initializes the flash file system on the system board.
- Loads a default operating system software image into memory and boots the switch.

The boot loader provides access to the flash file system before the operating system is loaded. Normally, the boot loader is used only to load, uncompress, and launch the operating system. After the boot loader gives the operating system control of the CPU, the boot loader is not active until the next system reset or power-on.

The boot loader also provides trap-door access into the system if the operating system has problems serious enough that it cannot be used. The trap-door mechanism provides enough access to the system so that if it is necessary, you can format the flash file system, reinstall the operating system software image by using the XMODEM Protocol, recover from a lost or forgotten password, and finally restart the operating system. For more information, see the [“Recovering from a Software Failure”](#) section on page 46-2 and the [“Recovering from a Lost or Forgotten Password”](#) section on page 46-3.

**Note**

You can disable password recovery. For more information, see the [“Disabling Password Recovery”](#) section on page 8-5.

Before you can assign switch information, make sure you have connected a PC or terminal to the console port, and configured the PC or terminal-emulation software baud rate and character format to match these of the switch console port:

- Baud rate default is 9600.
- Data bits default is 8.



**Note** If the data bits option is set to 8, set the parity option to none.

- Stop bits default is 1.
- Parity settings default is none.

## Assigning Switch Information

You can assign IP information through the switch setup program, through a DHCP server, or manually.

Use the switch setup program if you want to be prompted for specific IP information. With this program, you can also configure a hostname and an enable secret password. It gives you the option of assigning a Telnet password (to provide security during remote management). For more information about the setup program, see the [“Configuring the Switch with the CLI-Based Setup Program”](#) appendix in the hardware installation guide.

Use a DHCP server for centralized control and automatic assignment of IP information after the server is configured.

**Note**

If you are using DHCP, do not respond to any of the questions in the setup program until the switch receives the dynamically assigned IP address and reads the configuration file.

If you are an experienced user familiar with the switch configuration steps, manually configure the switch. Otherwise, use the setup program described previously.

These sections contain this configuration information:

- [Default Switch Information, page 3-3](#)
- [Understanding DHCP-Based Autoconfiguration, page 3-3](#)
- [Manually Assigning IP Information, page 3-14](#)

## Default Switch Information

Table 3-1 shows the default switch information.

**Table 3-1**      *Default Switch Information*

Feature	Default Setting
IP address and subnet mask	No IP address or subnet mask are defined.
Default gateway	No default gateway is defined.
Enable secret password	No password is defined.
Hostname	The factory-assigned default hostname is <i>Switch</i> .
Telnet password	No password is defined.

## Understanding DHCP-Based Autoconfiguration

DHCP provides configuration information to Internet hosts and internetworking devices. This protocol consists of two components: one for delivering configuration parameters from a DHCP server to a device and a mechanism for allocating network addresses to devices. DHCP is built on a client-server model, in which designated DHCP servers allocate network addresses and deliver configuration parameters to dynamically configured devices. The switch can act as both a DHCP client and a DHCP server.

During DHCP-based autoconfiguration, your switch (DHCP client) is automatically configured at startup with IP address information and a configuration file.

With DHCP-based autoconfiguration, no DHCP client-side configuration is needed on your switch. However, you need to configure the DHCP server for various lease options associated with IP addresses. If you are using DHCP to relay the configuration file location on the network, you might also need to configure a Trivial File Transfer Protocol (TFTP) server and a Domain Name System (DNS) server.

The DHCP server for your switch can be on the same LAN or on a different LAN than the switch. If the DHCP server is running on a different LAN, you should configure a DHCP relay device between your switch and the DHCP server. A relay device forwards broadcast traffic between two directly connected LANs. A router does not forward broadcast packets, but it forwards packets based on the destination IP address in the received packet.

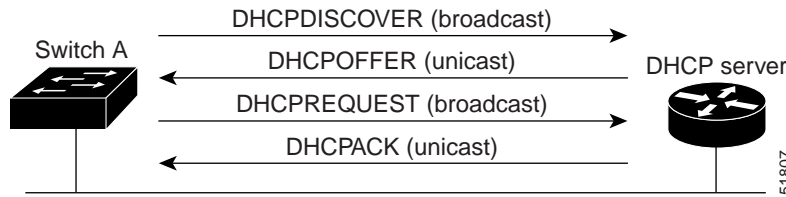
DHCP-based autoconfiguration replaces the BOOTP client functionality on your switch.

### DHCP Client Request Process

When you boot your switch, the DHCP client is invoked and requests configuration information from a DHCP server when the configuration file is not present on the switch. If the configuration file is present and the configuration includes the **ip address dhcp** interface configuration command on specific routed interfaces, the DHCP client is invoked and requests the IP address information for those interfaces.

Figure 3-1 shows the sequence of messages that are exchanged between the DHCP client and the DHCP server.

Figure 3-1 DHCP Client and Server Message Exchange



The client, Switch A, broadcasts a DHCPDISCOVER message to locate a DHCP server. The DHCP server offers configuration parameters (such as an IP address, subnet mask, gateway IP address, DNS IP address, a lease for the IP address, and so forth) to the client in a DHCPOFFER unicast message.

In a DHCPREQUEST broadcast message, the client returns a formal request for the offered configuration information to the DHCP server. The formal request is broadcast so that all other DHCP servers that received the DHCPDISCOVER broadcast message from the client can reclaim the IP addresses that they offered to the client.

The DHCP server confirms that the IP address has been allocated to the client by returning a DHCPACK unicast message to the client. With this message, the client and server are bound, and the client uses configuration information received from the server. The amount of information the switch receives depends on how you configure the DHCP server. For more information, see the “Configuring the TFTP Server” section on page 3-7.

If the configuration parameters sent to the client in the DHCPOFFER unicast message are invalid (a configuration error exists), the client returns a DHCPDECLINE broadcast message to the DHCP server.

The DHCP server sends the client a DHCPNAK denial broadcast message, which means that the offered configuration parameters have not been assigned, that an error has occurred during the negotiation of the parameters, or that the client has been slow in responding to the DHCPOFFER message (the DHCP server assigned the parameters to another client).

A DHCP client might receive offers from multiple DHCP or BOOTP servers and can accept any of the offers; however, the client usually accepts the first offer it receives. The offer from the DHCP server is not a guarantee that the IP address is allocated to the client; however, the server usually reserves the address until the client has had a chance to formally request the address. If the switch accepts replies from a BOOTP server and configures itself, the switch broadcasts, instead of unicasts, TFTP requests to obtain the switch configuration file.

The DHCP hostname option allows a group of switches to obtain hostnames and a standard configuration from the central management DHCP server. A client (switch) includes in its DHCPDISCOVER message an option 12 field used to request a hostname and other configuration parameters from the DHCP server. The configuration files on all clients are identical except for their DHCP-obtained hostnames.

If a client has a default hostname (the **hostname name** global configuration command is not configured or the **no hostname** global configuration command is entered to remove the hostname), the DHCP hostname option is not included in the packet when you enter the **ip address dhcp** interface configuration command. In this case, if the client receives the DHCP hostname option from the DHCP interaction while acquiring an IP address for an interface, the client accepts the DHCP hostname option and sets the flag to show that the system now has a hostname configured.

## Understanding DHCP-based Autoconfiguration and Image Update

You can use the DHCP image upgrade features to configure a DHCP server to download both a new image and a new configuration file to one or more switches in a network. This helps ensure that each new switch added to a network receives the same image and configuration.

There are two types of DHCP image upgrades: DHCP autoconfiguration and DHCP auto-image update.

### DHCP Autoconfiguration

DHCP autoconfiguration downloads a configuration file to one or more switches in your network from a DHCP server. The downloaded configuration file becomes the running configuration of the switch. It does not over write the bootup configuration saved in the flash, until you reload the switch.

### DHCP Auto-Image Update

You can use DHCP auto-image upgrade with DHCP autoconfiguration to download both a configuration *and* a new image to one or more switches in your network. The switch (or switches) downloading the new configuration and the new image can be blank (or only have a default factory configuration loaded).

If the new configuration is downloaded to a switch that already has a configuration, the downloaded configuration is appended to the configuration file stored on the switch. (Any existing configuration is not overwritten by the downloaded one.)



#### Note

To enable a DHCP auto-image update on the switch, the TFTP server where the image and configuration files are located must be configured with the correct option 67 (the configuration filename), option 66 (the DHCP server hostname) option 150 (the TFTP server address), and option 125 (description of the file) settings.

For procedures to configure the switch as a DHCP server, see the [“Configuring DHCP-Based Autoconfiguration” section on page 3-6](#) and the “Configuring DHCP” section of the “IP addressing and Services” section of the *Cisco IOS IP Configuration Guide, Release 12.2*.

After you install the switch in your network, the auto-image update feature starts. The downloaded configuration file is saved in the running configuration of the switch, and the new image is downloaded and installed on the switch. When you reboot the switch, the configuration is stored in the saved configuration on the switch.

### Limitations and Restrictions

These are the limitations:

- The DHCP-based autoconfiguration with a saved configuration process stops if there is not at least one Layer 3 interface in an up state without an assigned IP address in the network.
- Unless you configure a timeout, the DHCP-based autoconfiguration with a saved configuration feature tries indefinitely to download an IP address.
- The auto-install process stops if a configuration file cannot be downloaded or if the configuration file is corrupted.

**Note**

The configuration file that is downloaded from TFTP is merged with the existing configuration in the running configuration but is not saved in the NVRAM unless you enter the **write memory** or **copy running-configuration startup-configuration** privileged EXEC command. Note that if the downloaded configuration is saved to the startup configuration, the feature is not triggered during subsequent system restarts.

## Configuring DHCP-Based Autoconfiguration

These sections contain this configuration information:

- [DHCP Server Configuration Guidelines, page 3-6](#)
- [Configuring the TFTP Server, page 3-7](#)
- [Configuring the DNS, page 3-7](#)
- [Configuring the Relay Device, page 3-8](#)
- [Obtaining Configuration Files, page 3-8](#)
- [Example Configuration, page 3-9](#)

If your DHCP server is a Cisco device, see the “Configuring DHCP” section of the “IP Addressing and Services” section of the *Cisco IOS IP Configuration Guide, Release 12.2* for additional information about configuring DHCP.

### DHCP Server Configuration Guidelines

Follow these guidelines if you are configuring a device as a DHCP server:

You should configure the DHCP server with reserved leases that are bound to each switch by the switch hardware address.

If you want the switch to receive IP address information, you must configure the DHCP server with these lease options:

- IP address of the client (required)
- Subnet mask of the client (required)
- DNS server IP address (optional)
- Router IP address (default gateway address to be used by the switch) (required)

If you want the switch to receive the configuration file from a TFTP server, you must configure the DHCP server with these lease options:

- TFTP server name (required)
- Boot filename (the name of the configuration file that the client needs) (recommended)
- Hostname (optional)

Depending on the settings of the DHCP server, the switch can receive IP address information, the configuration file, or both.



If you do not configure the DHCP server with the lease options described previously, it replies to client requests with only those parameters that are configured. If the IP address and the subnet mask are not in the reply, the switch is not configured. If the router IP address or the TFTP server name are not found, the switch might send broadcast, instead of unicast, TFTP requests. Unavailability of other lease options does not affect autoconfiguration.

The switch can act as a DHCP server. By default, the Cisco IOS DHCP server and relay agent features are enabled on your switch but are not configured. These features are not operational. If your DHCP server is a Cisco device, for additional information about configuring DHCP, see the “Configuring DHCP” section of the “IP Addressing and Services” section of the *Cisco IOS IP Configuration Guide* from the Cisco.com page under **Documentation > Cisco IOS Software > 12.2 Mainline > Configuration Guides**.

## Configuring the TFTP Server

Based on the DHCP server configuration, the switch attempts to download one or more configuration files from the TFTP server. If you configured the DHCP server to respond to the switch with all the options required for IP connectivity to the TFTP server, and if you configured the DHCP server with a TFTP server name, address, and configuration filename, the switch attempts to download the specified configuration file from the specified TFTP server.

If you did not specify the configuration filename, the TFTP server, or if the configuration file could not be downloaded, the switch attempts to download a configuration file by using various combinations of filenames and TFTP server addresses. The files include the specified configuration filename (if any) and these files: `network-config`, `cisconet.cfg`, `hostname.config`, or `hostname.cfg`, where `hostname` is the switch’s current hostname. The TFTP server addresses used include the specified TFTP server address (if any) and the broadcast address (`255.255.255.255`).

For the switch to successfully download a configuration file, the TFTP server must contain one or more configuration files in its base directory. The files can include these files:

- The configuration file named in the DHCP reply (the actual switch configuration file).
- The `network-config` or the `cisconet.cfg` file (known as the default configuration files).
- The `router-config` or the `ciscortr.cfg` file (These files contain commands common to all switches. Normally, if the DHCP and TFTP servers are properly configured, these files are not accessed.)

If you specify the TFTP server name in the DHCP server-lease database, you must also configure the TFTP server name-to-IP-address mapping in the DNS-server database.

If the TFTP server to be used is on a different LAN from the switch, or if it is to be accessed by the switch through the broadcast address (which occurs if the DHCP server response does not contain all the required information described previously), a relay must be configured to forward the TFTP packets to the TFTP server. For more information, see the [“Configuring the Relay Device” section on page 3-8](#). The preferred solution is to configure the DHCP server with all the required information.

## Configuring the DNS

The DHCP server uses the DNS server to resolve the TFTP server name to an IP address. You must configure the TFTP server name-to-IP address map on the DNS server. The TFTP server contains the configuration files for the switch.

You can configure the IP addresses of the DNS servers in the lease database of the DHCP server from where the DHCP replies will retrieve them. You can enter up to two DNS server IP addresses in the lease database.

The DNS server can be on the same or on a different LAN as the switch. If it is on a different LAN, the switch must be able to access it through a router.

## Configuring the Relay Device

You must configure a relay device, also referred to as a *relay agent*, when a switch sends broadcast packets that require a response from a host on a different LAN. Examples of broadcast packets that the switch might send are DHCP, DNS, and in some cases, TFTP packets. You must configure this relay device to forward received broadcast packets on an interface to the destination host.

If the relay device is a Cisco router, enable IP routing (**ip routing** global configuration command), and configure helper addresses by using the **ip helper-address** interface configuration command.

For example, in [Figure 3-2](#), configure the router interfaces as follows:

On interface 10.0.0.2:

```
router(config-if)# ip helper-address 20.0.0.2
router(config-if)# ip helper-address 20.0.0.3
router(config-if)# ip helper-address 20.0.0.4
```

On interface 20.0.0.1

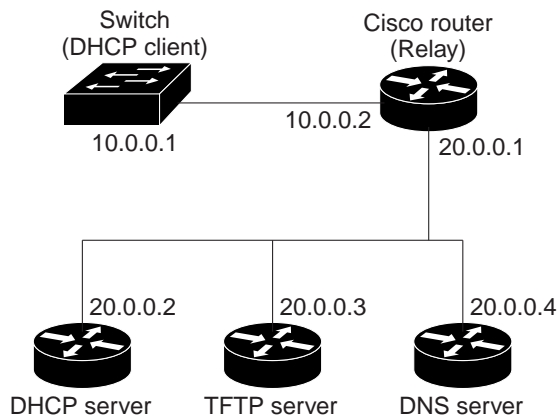
```
router(config-if)# ip helper-address 10.0.0.1
```



### Note

If the switch is acting as the relay device, configure the interface as a routed port. For more information, see the [“Routed Ports”](#) section on page 10-5 and the [“Configuring Layer 3 Interfaces”](#) section on page 10-25.

**Figure 3-2** Relay Device Used in Autoconfiguration



## Obtaining Configuration Files

Depending on the availability of the IP address and the configuration filename in the DHCP reserved lease, the switch obtains its configuration information in these ways:

- The IP address and the configuration filename is reserved for the switch and provided in the DHCP reply (one-file read method).

The switch receives its IP address, subnet mask, TFTP server address, and the configuration filename from the DHCP server. The switch sends a unicast message to the TFTP server to retrieve the named configuration file from the base directory of the server and upon receipt, it completes its boot-up process.

- The IP address and the configuration filename is reserved for the switch, but the TFTP server address is not provided in the DHCP reply (one-file read method).

The switch receives its IP address, subnet mask, and the configuration filename from the DHCP server. The switch sends a broadcast message to a TFTP server to retrieve the named configuration file from the base directory of the server, and upon receipt, it completes its boot-up process.

- Only the IP address is reserved for the switch and provided in the DHCP reply. The configuration filename is not provided (two-file read method).

The switch receives its IP address, subnet mask, and the TFTP server address from the DHCP server. The switch sends a unicast message to the TFTP server to retrieve the network-config or cisco.net.cfg default configuration file. (If the network-config file cannot be read, the switch reads the cisco.net.cfg file.)

The default configuration file contains the hostnames-to-IP-address mapping for the switch. The switch fills its host table with the information in the file and obtains its hostname. If the hostname is not found in the file, the switch uses the hostname in the DHCP reply. If the hostname is not specified in the DHCP reply, the switch uses the default *Switch* as its hostname.

After obtaining its hostname from the default configuration file or the DHCP reply, the switch reads the configuration file that has the same name as its hostname (*hostname-config* or *hostname.cfg*, depending on whether network-config or cisco.net.cfg was read earlier) from the TFTP server. If the cisco.net.cfg file is read, the filename of the host is truncated to eight characters.

If the switch cannot read the network-config, cisco.net.cfg, or the hostname file, it reads the router-config file. If the switch cannot read the router-config file, it reads the ciscotr.cfg file.

**Note**

The switch broadcasts TFTP server requests if the TFTP server is not obtained from the DHCP replies, if all attempts to read the configuration file through unicast transmissions fail, or if the TFTP server name cannot be resolved to an IP address.

## Example Configuration

Figure 3-3 shows a sample network for retrieving IP information by using DHCP-based autoconfiguration.

Figure 3-3 DHCP-Based Autoconfiguration Network Example

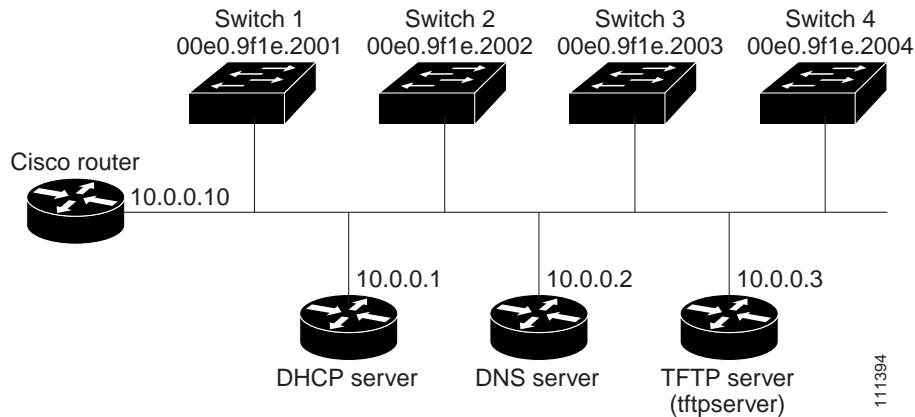


Table 3-2 shows the configuration of the reserved leases on the DHCP server.

Table 3-2 DHCP Server Configuration

	Switch A	Switch B	Switch C	Switch D
Binding key (hardware address)	00e0.9f1e.2001	00e0.9f1e.2002	00e0.9f1e.2003	00e0.9f1e.2004
IP address	10.0.0.21	10.0.0.22	10.0.0.23	10.0.0.24
Subnet mask	255.255.255.0	255.255.255.0	255.255.255.0	255.255.255.0
Router address	10.0.0.10	10.0.0.10	10.0.0.10	10.0.0.10
DNS server address	10.0.0.2	10.0.0.2	10.0.0.2	10.0.0.2
TFTP server name	<i>tftpserver</i> or <i>10.0.0.3</i>	<i>tftpserver</i> or <i>10.0.0.3</i>	<i>tftpserver</i> or <i>10.0.0.3</i>	<i>tftpserver</i> or <i>10.0.0.3</i>
Boot filename (configuration file) (optional)	switcha-config	switchb-config	switchc-config	switchd-config
Hostname (optional)	switcha	switchb	switchc	switchd

### DNS Server Configuration

The DNS server maps the TFTP server name *tftpserver* to IP address 10.0.0.3.

### TFTP Server Configuration (on UNIX)

The TFTP server base directory is set to `/tftpserver/work/`. This directory contains the network-config file used in the two-file read method. This file contains the hostname to be assigned to the switch based on its IP address. The base directory also contains a configuration file for each switch (*switcha-config*, *switchb-config*, and so forth) as shown in this display:

```
prompt> cd /tftpserver/work/
prompt> ls
network-config
switcha-config
switchb-config
switchc-config
switchd-config
prompt> cat network-config
ip host switcha 10.0.0.21
ip host switchb 10.0.0.22
```

```
ip host switchc 10.0.0.23
ip host switchd 10.0.0.24
```

### DHCP Client Configuration

No configuration file is present on Switch A through Switch D.

### Configuration Explanation

In [Figure 3-3](#), Switch A reads its configuration file as follows:

- It obtains its IP address 10.0.0.21 from the DHCP server.
- If no configuration filename is given in the DHCP server reply, Switch A reads the network-config file from the base directory of the TFTP server.
- It adds the contents of the network-config file to its host table.
- It reads its host table by indexing its IP address 10.0.0.21 to its hostname (switcha).
- It reads the configuration file that corresponds to its hostname; for example, it reads *switch1-confg* from the TFTP server.

Switches B through D retrieve their configuration files and IP addresses in the same way.

## Configuring the DHCP Auto Configuration and Image Update Features

Using DHCP to download a new image and a new configuration to a switch requires that you configure at least two switches: One switch acts as a DHCP and TFTP server. The client switch is configured to download either a new configuration file or a new configuration file *and* a new image file.

### Configuring DHCP Autoconfiguration (Only Configuration File)

Beginning in privileged EXEC mode, follow these steps to configure DHCP autoconfiguration of the TFTP and DHCP settings on a new switch to download a new configuration file.

	Command	Purpose
Step 1	<b>configure terminal</b>	Enter global configuration mode.
Step 2	<b>ip dhcp poolname</b>	Create a name for the DHCP Server address pool, and enter DHCP pool configuration mode.
Step 3	<b>bootfile filename</b>	Specify the name of the configuration file that is used as a boot image.
Step 4	<b>network network-number mask prefix-length</b>	Specify the subnet network number and mask of the DHCP address pool.  <b>Note</b> The prefix length specifies the number of bits that comprise the address prefix. The prefix is an alternative way of specifying the network mask of the client. The prefix length must be preceded by a forward slash (/).
Step 5	<b>default-router address</b>	Specify the IP address of the default router for a DHCP client.
Step 6	<b>option 150 address</b>	Specify the IP address of the TFTP server.
Step 7	<b>exit</b>	Return to global configuration mode.
Step 8	<b>tftp-server flash:filename.text</b>	Specify the configuration file on the TFTP server.

	Command	Purpose
Step 9	<b>interface</b> <i>interface-id</i>	Specify the address of the client that will receive the configuration file.
Step 10	<b>no switchport</b>	Put the interface into Layer 3 mode.
Step 11	<b>ip address</b> <i>address mask</i>	Specify the IP address and mask for the interface.
Step 12	<b>end</b>	Return to privileged EXEC mode.
Step 13	<b>copy running-config startup-config</b>	(Optional) Save your entries in the configuration file.

This example shows how to configure a switch as a DHCP server so that it will download a configuration file:

```
Switch# configure terminal
Switch(config)# ip dhcp pool pool1
Switch(dhcp-config)# network 10.10.10.0 255.255.255.0
Switch(dhcp-config)# bootfile config-boot.text
Switch(dhcp-config)# default-router 10.10.10.1
Switch(dhcp-config)# option 150 10.10.10.1
Switch(dhcp-config)# exit
Switch(config)# tftp-server flash:config-boot.text
Switch(config)# interface gigabitethernet1/0/4
Switch(config-if)# no switchport
Switch(config-if)# ip address 10.10.10.1 255.255.255.0
Switch(config-if)# end
```

## Configuring DHCP Auto-Image Update (Configuration File and Image)

Beginning in privileged EXEC mode, follow these steps to configure DHCP autoconfiguration to configure TFTP and DHCP settings on a new switch to download a new image and a new configuration file.



### Note

Before following the steps in this table, you must create a text file (for example, `autoinstall_dhcp`) that will be uploaded to the switch. In the text file, put the name of the image that you want to download. This image must be a tar and not a bin file.

	Command	Purpose
Step 1	<b>configure terminal</b>	Enter global configuration mode.
Step 2	<b>ip dhcp pool</b> <i>name</i>	Create a name for the DHCP server address pool and enter DHCP pool configuration mode.
Step 3	<b>bootfile</b> <i>filename</i>	Specify the name of the file that is used as a boot image.
Step 4	<b>network</b> <i>network-number mask prefix-length</i>	Specify the subnet network number and mask of the DHCP address pool. <b>Note</b> The prefix length specifies the number of bits that comprise the address prefix. The prefix is an alternative way of specifying the network mask of the client. The prefix length must be preceded by a forward slash (/).
Step 5	<b>default-router</b> <i>address</i>	Specify the IP address of the default router for a DHCP client.
Step 6	<b>option 150</b> <i>address</i>	Specify the IP address of the TFTP server.
Step 7	<b>option 125</b> <i>hex</i>	Specify the path to the text file that describes the path to the image file.

	Command	Purpose
Step 8	<b>copy tftp flash</b> <i>filename.txt</i>	Upload the text file to the switch.
Step 9	<b>copy tftp flash</b> <i>imagename.tar</i>	Upload the tarfile for the new image to the switch.
Step 10	<b>exit</b>	Return to global configuration mode.
Step 11	<b>tftp-server flash:</b> <i>config.text</i>	Specify the Cisco IOS configuration file on the TFTP server.
Step 12	<b>tftp-server flash:</b> <i>imagename.tar</i>	Specify the image name on the TFTP server.
Step 13	<b>tftp-server flash:</b> <i>filename.txt</i>	Specify the text file that contains the name of the image file to download
Step 14	<b>interface</b> <i>interface-id</i>	Specify the address of the client that will receive the configuration file.
Step 15	<b>no switchport</b>	Put the interface into Layer 3 mode.
Step 16	<b>ip address</b> <i>address mask</i>	Specify the IP address and mask for the interface.
Step 17	<b>end</b>	Return to privileged EXEC mode.
Step 18	<b>copy running-config startup-config</b>	(Optional) Save your entries in the configuration file.

This example shows how to configure a switch as a DHCP server so it downloads a configuration file:

```
Switch# config terminal
Switch(config)# ip dhcp pool pool1
Switch(dhcp-config)# network 10.10.10.0 255.255.255.0
Switch(dhcp-config)# bootfile config-boot.text
Switch(dhcp-config)# default-router 10.10.10.1
Switch(dhcp-config)# option 150 10.10.10.1
Switch(dhcp-config)# option 125 hex
0000.0009.0a05.08661.7574.6f69.6e73.7461.6c6c.5f64.686370
Switch(dhcp-config)# exit
Switch(config)# tftp-server flash:config-boot.text
Switch(config)# tftp-server flash:-image-name-mz.122-44.3.SE.tar
Switch(config)# tftp-server flash:boot-config.text
Switch(config)# tftp-server flash:autoinstall_dhcp
Switch(config)# interface gigabitEthernet1/0/4
Switch(config-if)# no switchport
Switch(config-if)# ip address 10.10.10.1 255.255.255.0
Switch(config-if)# end
```

## Configuring the Client

Beginning in privileged EXEC mode, follow these steps to configure a switch to download a configuration file and new image from a DHCP server:

	Command	Purpose
Step 1	<b>configure terminal</b>	Enter global configuration mode.
Step 2	<b>boot host dhcp</b>	Enable autoconfiguration with a saved configuration.
Step 3	<b>boot host retry timeout</b> <i>timeout-value</i>	(Optional) Set the amount of time the system tries to download a configuration file.  <b>Note</b> If you do not set a timeout the system will indefinitely try to obtain an IP address from the DHCP server.
Step 4	<b>banner config-save</b> <b>^C</b> <i>warning-message</i> <b>^C</b>	(Optional) Create warning messages to be displayed when you try to save the configuration file to NVRAM.

	Command	Purpose
Step 5	<b>end</b>	Return to privileged EXEC mode.
Step 6	<b>show boot</b>	Verify the configuration.

This example uses a Layer 3 SVI interface on VLAN 99 to enable DHCP-based autoconfiguration with a saved configuration:

```
Switch# configure terminal
Switch(conf)# boot host dhcp
Switch(conf)# boot host retry timeout 300
Switch(conf)# banner config-save ^C Caution - Saving Configuration File to NVRAM May Cause
You to NoLonger Automatically Download Configuration Files at Reboot^C
Switch(config)# vlan 99
Switch(config-vlan)# interface vlan 99
Switch(config-if)# no shutdown
Switch(config-if)# end
Switch# show boot
BOOT path-list:
Config file:          flash:/config.text
Private Config file: flash:/private-config.text
Enable Break:        no
Manual Boot:          no
HELPER path-list:
NVRAM/Config file
    buffer size:      32768
Timeout for Config
    Download:         300 seconds
Config Download
    via DHCP:         enabled (next boot: enabled)
Switch#
```

**Note**

You should only configure and enable the Layer 3 interface. Do not assign an IP address or DHCP-based autoconfiguration with a saved configuration.

## Manually Assigning IP Information

Beginning in privileged EXEC mode, follow these steps to manually assign IP information to a switch virtual interface (SVI). If the switch is running the metro IP access image, you can also manually assign IP information to a port if you first put the port into Layer 3 mode by using the **no switchport** command.

	Command	Purpose
Step 1	<b>configure terminal</b>	Enter global configuration mode.
Step 2	<b>interface vlan <i>vlan-id</i></b>	Enter interface configuration mode, and enter the VLAN to which the IP information is assigned. The range is 1 to 4094; do not enter leading zeros.
Step 3	<b>ip address <i>ip-address subnet-mask</i></b>	Enter the IP address and subnet mask.
Step 4	<b>exit</b>	Return to global configuration mode.



	Command	Purpose
Step 5	<b>ip default-gateway</b> <i>ip-address</i>	Enter the IP address of the next-hop router interface that is directly connected to the switch where a default gateway is being configured. The default gateway receives IP packets with unresolved destination IP addresses from the switch.  Once the default gateway is configured, the switch has connectivity to the remote networks with which a host needs to communicate.  <b>Note</b> When your switch is configured to route with IP, it does not need to have a default gateway set.
Step 6	<b>end</b>	Return to privileged EXEC mode.
Step 7	<b>show interfaces vlan</b> <i>vlan-id</i>	Verify the configured IP address.
Step 8	<b>show ip redirects</b>	Verify the configured default gateway.
Step 9	<b>copy running-config startup-config</b>	(Optional) Save your entries in the configuration file.

To remove the switch IP address, use the **no ip address** interface configuration command. If you are removing the address through a Telnet session, your connection to the switch will be lost. To remove the default gateway address, use the **no ip default-gateway** global configuration command.

For information on setting the switch system name, protecting access to privileged EXEC commands, and setting time and calendar services, see [Chapter 5, “Administering the Switch.”](#)

## Checking and Saving the Running Configuration

You can check the configuration settings you entered or changes you made by entering this privileged EXEC command:

```
Switch# show running-config
Building configuration...

Current configuration : 2010 bytes
!
version 12.2
no service pad
service timestamps debug uptime
service timestamps log uptime
no service password-encryption
!
hostname 3400-3
!
enable password cisco
!
no aaa new-model
ip subnet-zero
no ip domain-lookup
!
table-map test
  default copy
!
no file verify auto
!
spanning-tree mode rapid-pvst
spanning-tree extend system-id
!
vlan internal allocation policy ascending
```

```

!
vlan 2,10
!
class-map match-all test1
class-map match-all class2
class-map match-all class1
!
!
policy-map test
  class class1
    police cir percent 30
policy-map test2
  class class2
    police cir 8500 bc 1500
policy-map test3
!
!
interface FastEthernet0/1
!
interface FastEthernet0/2
  shutdown
!
interface FastEthernet0/3
  shutdown
!
interface FastEthernet0/4
  shutdown
!
interface FastEthernet0/5
  shutdown
!
interface FastEthernet0/6
  shutdown
!
interface FastEthernet0/7
  shutdown

<output truncated>

interface GigabitEthernet0/1
  port-type nni
!
interface GigabitEthernet0/2
  port-type nni
!
interface Vlan1
  no ip address
  no ip route-cache
  no ip mroute-cache
  shutdown
!
interface Vlan10
  ip address 192.168.1.76 255.255.255.0
!
ip default-gateway 192.168.1.3
no ip http server
ip classless
!
!
!
control-plane
!
!
line con 0

```

```

session-timeout 120
exec-timeout 120 0
speed 115200
line vty 0 4
 password cisco
 no login
line vty 5 15
 no login
!
!
end

```

To store the configuration or changes you have made to your startup configuration in flash memory, enter this privileged EXEC command:

```

Switch# copy running-config startup-config
Destination filename [startup-config]?
Building configuration...

```

This command saves the configuration settings that you made. If you fail to do this, your configuration will be lost the next time you reload the system. To display information stored in the NVRAM section of flash memory, use the **show startup-config** or **more startup-config** privileged EXEC command.

For more information about alternative locations from which to copy the configuration file, see [Appendix B, “Working with the Cisco IOS File System, Configuration Files, and Software Images.”](#)

## Configuring the NVRAM Buffer Size

The default NVRAM buffer size is 512 KB. In some cases, the configuration file might be too large to save to NVRAM. You can configure the size of the NVRAM buffer to support larger configuration files.



Note

After you configure the NVRAM buffer size, reload the switch.

Beginning in privileged EXEC mode, follow these steps to configure the NVRAM buffersize:

	Command	Purpose
Step 1	<b>configure terminal</b>	Enter global configuration mode.
Step 2	<b>boot buffersize</b> <i>size</i>	Configure the NVRAM buffersize in KB. The valid range for <i>size</i> is from 4096 to 1048576.
Step 3	<b>end</b>	Return to privileged EXEC mode.
Step 4	<b>show boot</b>	Verify the configuration.

This example shows how to configure the NVRAM buffer size:

```
Switch# configure terminal
Enter configuration commands, one per line.  End with CNTL/Z.
Switch(config)# boot buffersize 524288
Switch(config)# end
Switch# show boot
BOOT path-list      :
Config file         : flash:/config.text
Private Config file : flash:/private-config.text
Enable Break        : no
Manual Boot         : no
HELPER path-list    :
Auto upgrade        : yes
Auto upgrade path   :
NVRAM/Config file   :
    buffer size:    524288
Timeout for Config :
    Download:       300 seconds
Config Download     :
    via DHCP:       enabled (next boot: enabled)
Switch#
```

## Modifying the Startup Configuration

- [Default Boot Configuration, page 3-19](#)
- [Automatically Downloading a Configuration File, page 3-19](#)
- [Booting Manually, page 3-20](#)
- [Booting a Specific Software Image, page 3-20](#)
- [Controlling Environment Variables, page 3-21](#)

See also [Appendix B, “Working with the Cisco IOS File System, Configuration Files, and Software Images,”](#) for information about switch configuration files.

## Default Boot Configuration

Table 3-3 shows the default boot configuration.

Table 3-3 Default Boot Configuration

Feature	Default Setting
Operating system software image	<p>The switch attempts to automatically boot the system using information in the BOOT environment variable. If the variable is not set, the switch attempts to load and execute the first executable image it can by performing a recursive, depth-first search throughout the flash file system.</p> <p>The Cisco IOS image is stored in a directory that has the same name as the image file (excluding the .bin extension).</p> <p>In a depth-first search of a directory, each encountered subdirectory is completely searched before continuing the search in the original directory.</p>
Configuration file	<p>Configured switches use the <i>config.text</i> file stored on the system board in flash memory.</p> <p>A new switch has no configuration file.</p>

## Automatically Downloading a Configuration File

You can automatically download a configuration file to your switch by using the DHCP-based autoconfiguration feature. For more information, see the [“Understanding DHCP-Based Autoconfiguration”](#) section on page 3-3.

## Specifying the Filename to Read and Write the System Configuration

By default, the Cisco IOS software uses the file *config.text* to read and write a nonvolatile copy of the system configuration. However, you can specify a different filename, which will be loaded during the next boot cycle.

Beginning in privileged EXEC mode, follow these steps to specify a different configuration filename:

	Command	Purpose
Step 1	<b>configure terminal</b>	Enter global configuration mode.
Step 2	<b>boot config-file flash:/file-url</b>	<p>Specify the configuration file to load during the next boot cycle.</p> <p>For <i>file-url</i>, specify the path (directory) and the configuration filename.</p> <p>Filenames and directory names are case sensitive.</p>
Step 3	<b>end</b>	Return to privileged EXEC mode.
Step 4	<b>show boot</b>	<p>Verify your entries.</p> <p>The <b>boot config-file</b> global configuration command changes the setting of the CONFIG_FILE environment variable.</p>
Step 5	<b>copy running-config startup-config</b>	(Optional) Save your entries in the configuration file.

To return to the default setting, use the **no boot config-file** global configuration command.

## Booting Manually

By default, the switch automatically boots; however, you can configure it to manually boot.

Beginning in privileged EXEC mode, follow these steps to configure the switch to manually boot during the next boot cycle:

	Command	Purpose
Step 1	<b>configure terminal</b>	Enter global configuration mode.
Step 2	<b>boot manual</b>	Enable the switch to manually boot during the next boot cycle.
Step 3	<b>end</b>	Return to privileged EXEC mode.
Step 4	<b>show boot</b>	<p>Verify your entries.</p> <p>The <b>boot manual</b> global command changes the setting of the MANUAL_BOOT environment variable.</p> <p>The next time you reboot the system, the switch is in boot loader mode, shown by the <i>switch:</i> prompt. To boot the system, use the <b>boot filesystem:/file-url</b> boot loader command.</p> <ul style="list-style-type: none"> <li>• For <i>filesystem:</i>, use <b>flash:</b> for the system board flash device.</li> <li>• For <i>file-url</i>, specify the path (directory) and the name of the bootable image.</li> </ul> <p>Filenames and directory names are case sensitive.</p>
Step 5	<b>copy running-config startup-config</b>	(Optional) Save your entries in the configuration file.

To disable manual booting, use the **no boot manual** global configuration command.

## Booting a Specific Software Image

By default, the switch attempts to automatically boot the system using information in the BOOT environment variable. If this variable is not set, the switch attempts to load and execute the first executable image it can by performing a recursive, depth-first search throughout the flash file system. In a depth-first search of a directory, each encountered subdirectory is completely searched before continuing the search in the original directory. However, you can specify a specific image to boot.

Beginning in privileged EXEC mode, follow these steps to configure the switch to boot a specific image during the next boot cycle:

	Command	Purpose
Step 1	<b>configure terminal</b>	Enter global configuration mode.
Step 2	<b>boot system</b> <i>filesystem:/file-url</i>	Configure the switch to boot a specific image in flash memory during the next boot cycle. <ul style="list-style-type: none"> <li>For <i>filesystem:</i>, use <b>flash:</b> for the system board flash device.</li> <li>For <i>file-url</i>, specify the path (directory) and the name of the bootable image.</li> </ul> Filenames and directory names are case sensitive.
Step 3	<b>end</b>	Return to privileged EXEC mode.
Step 4	<b>show boot</b>	Verify your entries. The <b>boot system</b> global command changes the setting of the BOOT environment variable. During the next boot cycle, the switch attempts to automatically boot the system using information in the BOOT environment variable.
Step 5	<b>copy running-config startup-config</b>	(Optional) Save your entries in the configuration file.

To return to the default setting, use the **no boot system** global configuration command.

## Controlling Environment Variables

With a normally operating switch, you enter the boot loader mode only through a switch console connection configured for 9600 bps. Unplug and then reconnect the switch power cord. After the switch performs POST, the switch begins the autoboot process. The boot loader prompts the user for a break key character during the boot-up sequence, as shown in this example:

```
***** The system will autoboot in 5 seconds *****
Send a break key to prevent autobooting.
```

The break key character is different for each operating system.

- On a SUN work station running UNIX, Ctrl-C is the break key.
- On a PC running Windows 2000, Ctrl-Break is the break key.

Cisco TAC has tabulated break keys for most common operating systems and provided an alternative break key sequence for terminal emulators that do not support the break keys. To view this table, see:

<http://www.cisco.com/warp/public/701/61.html#how-to>

When you enter the break key, the boot loader *switch:* prompt appears.

The switch boot loader software provides support for nonvolatile environment variables, which can be used to control how the boot loader, or any other software running on the system, behaves. Boot loader environment variables are similar to environment variables that can be set on UNIX or DOS systems.

Environment variables that have values are stored in flash memory outside of the flash file system.

Each line in these files contains an environment variable name and an equal sign followed by the value of the variable. A variable has no value if it is not listed in this file; it has a value if it is listed in the file even if the value is a null string. A variable that is set to a null string (for example, “”) is a variable with a value. Many environment variables are predefined and have default values.

Environment variables store two kinds of data:

- Data that controls code, which does not read the Cisco IOS configuration file. For example, the name of a boot loader helper file, which extends or patches the functionality of the boot loader can be stored as an environment variable.
- Data that controls code, which is responsible for reading the Cisco IOS configuration file. For example, the name of the Cisco IOS configuration file can be stored as an environment variable.

You can change the settings of the environment variables by accessing the boot loader or by using Cisco IOS commands. Under normal circumstances, it is not necessary to alter the setting of the environment variables.



**Note**

For complete syntax and usage information for the boot loader commands and environment variables, see the command reference for this release.

Table 3-4 describes the function of the most common environment variables.

**Table 3-4 Environment Variables**

Variable	Boot Loader Command	Cisco IOS Global Configuration Command
<b>BOOT</b>	<b>set BOOT</b> <i>filesystem:/file-url ...</i>  A semicolon-separated list of executable files to try to load and execute when automatically booting. If the BOOT environment variable is not set, the system attempts to load and execute the first executable image it can find by using a recursive, depth-first search through the flash file system. If the BOOT variable is set but the specified images cannot be loaded, the system attempts to boot the first bootable file that it can find in the flash file system.	<b>boot system</b> <i>filesystem:/file-url ...</i>  Specifies the Cisco IOS image to load during the next boot cycle. This command changes the setting of the BOOT environment variable.
<b>MANUAL_BOOT</b>	<b>set MANUAL_BOOT</b> <b>yes</b>  Decides whether the switch automatically or manually boots.  Valid values are 1, yes, 0, and no. If it is set to no or 0, the boot loader attempts to automatically boot the system. If it is set to anything else, you must manually boot the switch from the boot loader mode.	<b>boot manual</b>  Enables manually booting the switch during the next boot cycle and changes the setting of the MANUAL_BOOT environment variable.  The next time you reboot the system, the switch is in boot loader mode. To boot the system, use the <b>boot flash:filesystem:/file-url</b> boot loader command, and specify the name of the bootable image.
<b>CONFIG_FILE</b>	<b>set CONFIG_FILE</b> <b>flash:/file-url</b>  Changes the filename that Cisco IOS uses to read and write a nonvolatile copy of the system configuration.	<b>boot config-file</b> <b>flash:/file-url</b>  Specifies the filename that Cisco IOS uses to read and write a nonvolatile copy of the system configuration. This command changes the CONFIG_FILE environment variable.



# Scheduling a Reload of the Software Image

You can schedule a reload of the software image to occur on the switch at a later time (for example, late at night or during the weekend when the switch is used less), or you can synchronize a reload network-wide (for example, to perform a software upgrade on all switches in the network).

**Note**

---

A scheduled reload must take place within approximately 24 days.

---

## Configuring a Scheduled Reload

To configure your switch to reload the software image at a later time, use one of these commands in privileged EXEC mode:

- **reload in** *[hh:]mm* *[text]*

This command schedules a reload of the software to take effect in the specified minutes or hours and minutes. The reload must take place within approximately 24 days. You can specify the reason for the reload in a string up to 255 characters in length.

- **reload at** *hh:mm* *[month day | day month]* *[text]*

This command schedules a reload of the software to take place at the specified time (using a 24-hour clock). If you specify the month and day, the reload is scheduled to take place at the specified time and date. If you do not specify the month and day, the reload takes place at the specified time on the current day (if the specified time is later than the current time) or on the next day (if the specified time is earlier than the current time). Specifying 00:00 schedules the reload for midnight.

**Note**

---

Use the **at** keyword only if the switch system clock has been set (through Network Time Protocol (NTP), the hardware calendar, or manually). The time is relative to the configured time zone on the switch. To schedule reloads across several switches to occur simultaneously, the time on each switch must be synchronized with NTP.

---

The **reload** command halts the system. If the system is not set to manually boot, it reboots itself. Use the **reload** command after you save the switch configuration information to the startup configuration (**copy running-config startup-config**).

If your switch is configured for manual booting, do not reload it from a virtual terminal. This restriction prevents the switch from entering the boot loader mode and thereby taking it from the remote user's control.

If you modify your configuration file, the switch prompts you to save the configuration before reloading. During the save operation, the system requests whether you want to proceed with the save if the CONFIG\_FILE environment variable points to a startup configuration file that no longer exists. If you proceed in this situation, the system enters setup mode upon reload.

This example shows how to reload the software on the switch on the current day at 7:30 p.m:

```
Switch# reload at 19:30
Reload scheduled for 19:30:00 UTC Wed Jun 5 1996 (in 2 hours and 25 minutes)
Proceed with reload? [confirm]
```

This example shows how to reload the software on the switch at a future time:

```
Switch# reload at 02:00 jun 20
Reload scheduled for 02:00:00 UTC Thu Jun 20 1996 (in 344 hours and 53 minutes)
Proceed with reload? [confirm]
```

To cancel a previously scheduled reload, use the **reload cancel** privileged EXEC command.

## Displaying Scheduled Reload Information

To display information about a previously scheduled reload or to find out if a reload has been scheduled on the switch, use the **show reload** privileged EXEC command.

It displays reload information including the time the reload is scheduled to occur and the reason for the reload (if it was specified when the reload was scheduled).



## CHAPTER 4

# Configuring Cisco IOS Configuration Engine

---

This chapter describes how to configure the feature on the Cisco ME 3400E switch.



Note

---

For complete configuration information for the Cisco Configuration Engine, go to [http://www.cisco.com/en/US/products/sw/netmgsw/ps4617/tsd\\_products\\_support\\_series\\_home.html](http://www.cisco.com/en/US/products/sw/netmgsw/ps4617/tsd_products_support_series_home.html)

For complete syntax and usage information for the commands used in this chapter, go to the *Cisco IOS Network Management Command Reference, Release 12.4* at [http://www.cisco.com/en/US/docs/ios/netmgmt/command/reference/nm\\_book.html](http://www.cisco.com/en/US/docs/ios/netmgmt/command/reference/nm_book.html)

---

This chapter consists of these sections:

- [Understanding Cisco Configuration Engine Software, page 4-1](#)
- [Understanding Cisco IOS Agents, page 4-5](#)
- [Configuring Cisco IOS Agents, page 4-6](#)
- [Displaying CNS Configuration, page 4-15](#)

## Understanding Cisco Configuration Engine Software

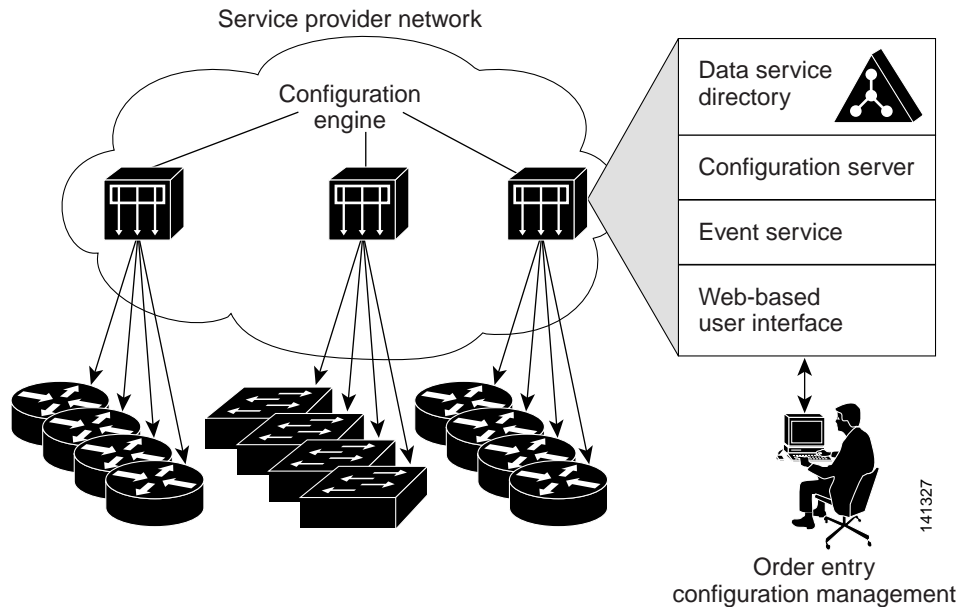
The Cisco Configuration Engine is network management software that acts as a configuration service for automating the deployment and management of network devices and services (see [Figure 4-1](#)). Each Configuration Engine manages a group of Cisco devices (switches and routers) and the services that they deliver, storing their configurations and delivering them as needed. The Configuration Engine automates initial configurations and configuration updates by generating device-specific configuration changes, sending them to the device, executing the configuration change, and logging the results.

The Configuration Engine supports standalone and server modes and has these CNS components:

- Configuration service (web server, file manager, and namespace mapping server)
- Event service (event gateway)
- Data service directory (data models and schema)

In standalone mode, the Configuration Engine supports an embedded Directory Service. In this mode, no external directory or other data store is required. In server mode, the Configuration Engine supports the use of a user-defined external directory.

Figure 4-1 Configuration Engine Architectural Overview



These sections contain this conceptual information:

- [Configuration Service, page 4-2](#)
- [Event Service, page 4-3](#)
- [What You Should Know About the CNS IDs and Device Hostnames, page 4-3](#)

## Configuration Service

The Configuration Service is the core component of the Cisco Configuration Engine. It consists of a configuration server that works with Cisco IOS CNS agents on the switch. The Configuration Service delivers device and service configurations to the switch for initial configuration and mass reconfiguration by logical groups. Switches receive their initial configuration from the Configuration Service when they start up on the network for the first time.

The Configuration Service uses the CNS Event Service to send and receive configuration change events and to send success and failure notifications.

The configuration server is a web server that uses configuration templates and the device-specific configuration information stored in the embedded (standalone mode) or remote (server mode) directory.

Configuration templates are text files containing static configuration information in the form of CLI commands. In the templates, variables are specified using Lightweight Directory Access Protocol (LDAP) URLs that reference the device-specific configuration information stored in a directory.

The Cisco IOS agent can perform a syntax check on received configuration files and publish events to show the success or failure of the syntax check. The configuration agent can either apply configurations immediately or delay the application until receipt of a synchronization event from the configuration server.

## Event Service

The Cisco Configuration Engine uses the Event Service for receipt and generation of configuration events. The event agent is on the switch and facilitates the communication between the switch and the event gateway on the Configuration Engine.

The Event Service is a highly capable publish-and-subscribe communication method. The Event Service uses subject-based addressing to send messages to their destinations. Subject-based addressing conventions define a simple, uniform namespace for messages and their destinations.

## NameSpace Mapper

The Configuration Engine includes the NameSpace Mapper (NSM) that provides a lookup service for managing logical groups of devices based on application, device or group ID, and event.

Cisco IOS devices recognize only event subject-names that match those configured in Cisco IOS software; for example, `cisco.cns.config.load`. You can use the namespace mapping service to designate events by using any desired naming convention. When you have populated your data store with your subject names, NSM changes your event subject-name strings to those known by Cisco IOS.

For a subscriber, when given a unique device ID and event, the namespace mapping service returns a set of events to which to subscribe. Similarly, for a publisher, when given a unique group ID, device ID, and event, the mapping service returns a set of events on which to publish.

## What You Should Know About the CNS IDs and Device Hostnames

The Configuration Engine assumes that a unique identifier is associated with each configured switch. This unique identifier can take on multiple synonyms, where each synonym is unique within a particular namespace. The event service uses namespace content for subject-based addressing of messages.

The Configuration Engine intersects two namespaces, one for the event bus and the other for the configuration server. Within the scope of the configuration server namespace, the term *ConfigID* is the unique identifier for a device. Within the scope of the event bus namespace, the term *DeviceID* is the CNS unique identifier for a device.

Because the Configuration Engine uses both the event bus and the configuration server to provide configurations to devices, you must define both ConfigID and Device ID for each configured switch.

Within the scope of a single instance of the configuration server, no two configured switches can share the same value for ConfigID. Within the scope of a single instance of the event bus, no two configured switches can share the same value for DeviceID.

## ConfigID

Each configured switch has a unique ConfigID, which serves as the key into the Configuration Engine directory for the corresponding set of switch CLI attributes. The ConfigID defined on the switch must match the ConfigID for the corresponding switch definition on the Configuration Engine.

The ConfigID is fixed at startup time and cannot be changed until the device restarts, even if the switch hostname is reconfigured.

## DeviceID

Each configured switch participating on the event bus has a unique DeviceID, which is analogous to the switch source address so that the switch can be targeted as a specific destination on the bus. All switches configured with the **cns config partial** global configuration command must access the event bus. Therefore, the DeviceID, as originated on the switch, must match the DeviceID of the corresponding switch definition in the Configuration Engine.

The origin of the DeviceID is defined by the Cisco IOS hostname of the switch. However, the DeviceID variable and its usage reside within the event gateway adjacent to the switch.

The logical Cisco IOS termination point on the event bus is embedded in the event gateway, which in turn functions as a proxy on behalf of the switch. The event gateway represents the switch and its corresponding DeviceID to the event bus.

The switch declares its hostname to the event gateway immediately after the successful connection to the event gateway. The event gateway couples the DeviceID value to the Cisco IOS hostname each time this connection is established. The event gateway caches this DeviceID value for the duration of its connection to the switch.

## Hostname and DeviceID

The DeviceID is fixed at the time of the connection to the event gateway and does not change even when the switch hostname is reconfigured.

When changing the switch hostname on the switch, the only way to refresh the DeviceID is to break the connection between the switch and the event gateway. Enter the **no cns event** global configuration command followed by the **cns event** global configuration command.

When the connection is re-established, the switch sends its modified hostname to the event gateway. The event gateway redefines the DeviceID to the new value.



### Caution

---

When using the Configuration Engine user interface, you must first set the DeviceID field to the hostname value that the switch acquires *after*—not *before*—you use the **cns config initial** global configuration command at the switch. Otherwise, subsequent **cns config partial** global configuration command operations malfunction.

---

## Using Hostname, DeviceID, and ConfigID

In standalone mode, when a hostname value is set for a switch, the configuration server uses the hostname as the DeviceID when an event is sent on hostname. If the hostname has not been set, the event is sent on the `cn=<value>` of the device.

In server mode, the hostname is not used. In this mode, the unique DeviceID attribute is always used for sending an event on the bus. If this attribute is not set, you cannot update the switch.

These and other associated attributes (tag value pairs) are set when you run **Setup** on the Configuration Engine.



### Note

---

For more information about running the setup program on the Configuration Engine, see the Configuration Engine setup and configuration guide at [http://www.cisco.com/en/US/products/sw/netmgmtsw/ps4617/prod\\_installation\\_guides\\_list.html](http://www.cisco.com/en/US/products/sw/netmgmtsw/ps4617/prod_installation_guides_list.html)

---

# Understanding Cisco IOS Agents

The CNS event agent feature allows the switch to publish and subscribe to events on the event bus and works with the Cisco IOS agent. The Cisco IOS agent feature supports the switch by providing these features:

- [Initial Configuration, page 4-5](#)
- [Incremental \(Partial\) Configuration, page 4-6](#)
- [Synchronized Configuration, page 4-6](#)

## Initial Configuration

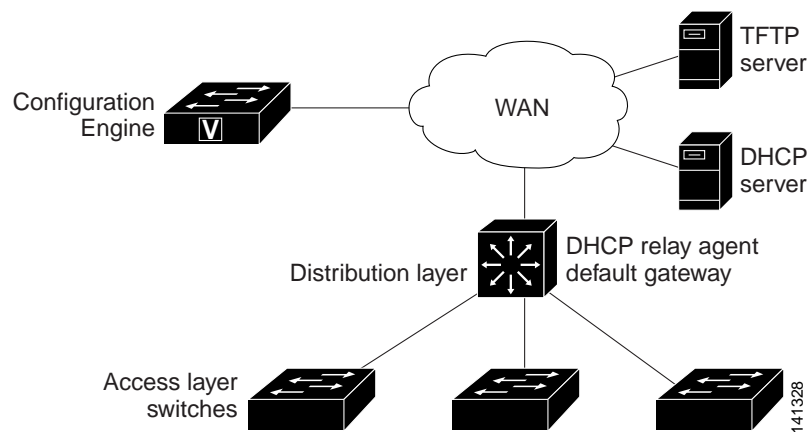
When the switch first comes up, it attempts to get an IP address by broadcasting a DHCP request on the network. Assuming there is no DHCP server on the subnet, the distribution switch acts as a DHCP relay agent and forwards the request to the DHCP server. Upon receiving the request, the DHCP server assigns an IP address to the new switch and includes the TFTP server IP address, the path to the bootstrap configuration file, and the default gateway IP address in a unicast reply to the DHCP relay agent. The DHCP relay agent forwards the reply to the switch.

The switch automatically configures the assigned IP address on interface VLAN 1 (the default) and downloads the bootstrap configuration file from the TFTP server. Upon successful download of the bootstrap configuration file, the switch loads the file in its running configuration.

The Cisco IOS agents initiate communication with the Configuration Engine by using the appropriate ConfigID and EventID. The Configuration Engine maps the Config ID to a template and downloads the full configuration file to the switch.

[Figure 4-2](#) shows a sample network configuration for retrieving the initial bootstrap configuration file by using DHCP-based autoconfiguration.

**Figure 4-2** Initial Configuration Overview



## Incremental (Partial) Configuration

After the network is running, new services can be added by using the Cisco IOS agent. Incremental (partial) configurations can be sent to the switch. The actual configuration can be sent as an event payload by way of the event gateway (push operation) or as a signal event that triggers the switch to initiate a pull operation.

The switch can check the syntax of the configuration before applying it. If the syntax is correct, the switch applies the incremental configuration and publishes an event that signals success to the configuration server. If the switch does not apply the incremental configuration, it publishes an event showing an error status. When the switch has applied the incremental configuration, it can write it to NVRAM or wait until signaled to do so.

## Synchronized Configuration

When the switch receives a configuration, it can defer application of the configuration upon receipt of a write-signal event. The write-signal event tells the switch not to save the updated configuration into its NVRAM. The switch uses the updated configuration as its running configuration. This ensures that the switch configuration is synchronized with other network activities before saving the configuration in NVRAM for use at the next reboot.

## Configuring Cisco IOS Agents

The Cisco IOS agents embedded in the switch Cisco IOS software allow the switch to be connected and automatically configured as described in the [“Enabling Automated CNS Configuration” section on page 4-6](#). If you want to change the configuration or install a custom configuration, see these sections for instructions:

- [Enabling the CNS Event Agent, page 4-7](#)
- [Enabling the Cisco IOS CNS Agent, page 4-9](#)
- [Upgrading Devices with Cisco IOS Image Agent, page 4-14](#)

## Enabling Automated CNS Configuration

To enable automated CNS configuration of the switch, you must first complete the prerequisites in [Table 4-1](#). When you complete them, power on the switch. At the **setup** prompt, do nothing: The switch begins the initial configuration as described in the [“Initial Configuration” section on page 4-5](#). When the full configuration file is loaded on your switch, you need to do nothing else.



**Table 4-1 Prerequisites for Enabling Automatic Configuration**

Device	Required Configuration
Access switch	Factory default (no configuration file)
Distribution switch	<ul style="list-style-type: none"> <li>• IP helper address</li> <li>• Enable DHCP relay agent</li> <li>• IP routing (if used as default gateway)</li> </ul>
DHCP server	<ul style="list-style-type: none"> <li>• IP address assignment</li> <li>• TFTP server IP address</li> <li>• Path to bootstrap configuration file on the TFTP server</li> <li>• Default gateway IP address</li> </ul>
TFTP server	<ul style="list-style-type: none"> <li>• A bootstrap configuration file that includes the CNS configuration commands that enable the switch to communicate with the Configuration Engine</li> <li>• The switch configured to use either the switch MAC address or the serial number (instead of the default hostname) to generate the ConfigID and EventID</li> <li>• The CNS event agent configured to push the configuration file to the switch</li> </ul>
CNS Configuration Engine	One or more templates for each type of device, with the ConfigID of the device mapped to the template.

**Note**

For more information about running the setup program and creating templates on the Configuration Engine, see the *Cisco Configuration Engine Installation and Setup Guide, 1.5 for Linux* at [http://www.cisco.com/en/US/docs/net\\_mgmt/configuration\\_engine/1.5/installation\\_linux/guide/setup\\_1.html](http://www.cisco.com/en/US/docs/net_mgmt/configuration_engine/1.5/installation_linux/guide/setup_1.html)

## Enabling the CNS Event Agent

**Note**

You must enable the CNS event agent on the switch before you enable the CNS configuration agent.

Beginning in privileged EXEC mode, follow these steps to enable the CNS event agent on the switch:

	Command	Purpose
Step 1	<b>configure terminal</b>	Enter global configuration mode.
Step 2	<b>cns event</b> { <i>hostname</i>   <i>ip-address</i> } [ <i>port-number</i> ] [ <b>backup</b> ] [ <b>failover-time</b> <i>seconds</i> ] [ <b>keepalive</b> <i>seconds</i> <i>retry-count</i> ] [ <b>reconnect</b> <i>time</i> ] [ <b>source</b> <i>ip-address</i> ]	<p>Enable the event agent, and enter the gateway parameters.</p> <ul style="list-style-type: none"> <li>• For {<i>hostname</i>   <i>ip-address</i>}, enter either the hostname or the IP address of the event gateway.</li> <li>• (Optional) For <i>port number</i>, enter the port number for the event gateway. The default port number is 11011.</li> <li>• (Optional) Enter <b>backup</b> to show that this is the backup gateway. (If omitted, this is the primary gateway.)</li> <li>• (Optional) For <b>failover-time</b> <i>seconds</i>, enter how long the switch waits for the primary gateway route after the route to the backup gateway is established.</li> <li>• (Optional) For <b>keepalive</b> <i>seconds</i>, enter how often the switch sends keepalive messages. For <i>retry-count</i>, enter the number of unanswered keepalive messages that the switch sends before the connection is terminated. The default for each is 0.</li> <li>• (Optional) For <b>reconnect</b> <i>time</i>, enter the maximum time interval that the switch waits before trying to reconnect to the event gateway.</li> <li>• (Optional) For <b>source</b> <i>ip-address</i>, enter the source IP address of this device.</li> </ul> <p><b>Note</b> Though visible in the command-line help string, the <b>encrypt</b> and the <b>clock-timeout</b> <i>time</i> keywords are not supported.</p>
Step 3	<b>end</b>	Return to privileged EXEC mode.
Step 4	<b>show cns event connections</b>	Verify information about the event agent.
Step 5	<b>show running-config</b>	Verify your entries.
Step 6	<b>copy running-config startup-config</b>	(Optional) Save your entries in the configuration file.

To disable the CNS event agent, use the **no cns event** {*ip-address* / *hostname*} global configuration command.

This example shows how to enable the CNS event agent, set the IP address gateway to 10.180.1.27, set 120 seconds as the keepalive interval, and set 10 as the retry count.

```
Switch(config)# cns event 10.180.1.27 keepalive 120 10
```

## Enabling the Cisco IOS CNS Agent

After enabling the CNS event agent, start the Cisco IOS CNS agent on the switch. You can enable the Cisco IOS agent with these commands:

- The **cns config initial** global configuration command enables the Cisco IOS agent and initiates an initial configuration on the switch.
- The **cns config partial** global configuration command enables the Cisco IOS agent and initiates a partial configuration on the switch. You can then use the Configuration Engine to remotely send incremental configurations to the switch.

### Enabling an Initial Configuration

Beginning in privileged EXEC mode, follow these steps to enable the CNS configuration agent and initiate an initial configuration on the switch:

	Command	Purpose
Step 1	<b>configure terminal</b>	Enter global configuration mode.
Step 2	<b>cns template connect</b> <i>name</i>	Enter CNS template connect configuration mode, and specify the name of the CNS connect template.
Step 3	<b>cli</b> <i>config-text</i>	Enter a command line for the CNS connect template. Repeat this step for each command line in the template.
Step 4		Repeat Steps 2 to 3 to configure another CNS connect template.
Step 5	<b>exit</b>	Return to global configuration mode.
Step 6	<b>cns connect</b> <i>name</i> [ <b>retries</b> <i>number</i> ] [ <b>retry-interval</b> <i>seconds</i> ] [ <b>sleep</b> <i>seconds</i> ] [ <b>timeout</b> <i>seconds</i> ]	<p>Enter CNS connect configuration mode, specify the name of the CNS connect profile, and define the profile parameters. The switch uses the CNS connect profile to connect to the Configuration Engine.</p> <ul style="list-style-type: none"> <li>• Enter the name of the CNS connect profile.</li> <li>• (Optional) For <b>retries</b> <i>number</i>, enter the number of connection retries. The range is 1 to 30. The default is 3.</li> <li>• (Optional) For <b>retry-interval</b> <i>seconds</i>, enter the interval between successive connection attempts to the Configuration Engine. The range is 1 to 40 seconds. The default is 10 seconds.</li> <li>• (Optional) For <b>sleep</b> <i>seconds</i>, enter the amount of time before which the first connection attempt occurs. The range is 0 to 250 seconds. The default is 0.</li> <li>• (Optional) For <b>timeout</b> <i>seconds</i>, enter the amount of time after which the connection attempts end. The range is 10 to 2000 seconds. The default is 120.</li> </ul>

	Command	Purpose
Step 7	<b>discover</b> { <b>controller</b> <i>controller-type</i>   <b>dcli</b> [ <b>subinterface</b> <i>subinterface-number</i> ]   <b>interface</b> [ <i>interface-type</i> ]   <b>line</b> <i>line-type</i> }	Specify the interface parameters in the CNS connect profile. <ul style="list-style-type: none"> <li>For <b>controller</b> <i>controller-type</i>, enter the controller type.</li> <li>For <b>dcli</b>, enter the active data-link connection identifiers (DLCIs).  (Optional) For <b>subinterface</b> <i>subinterface-number</i>, specify the point-to-point subinterface number that is used to search for active DLCIs.</li> <li>For <b>interface</b> [<i>interface-type</i>], enter the type of interface.</li> <li>For <b>line</b> <i>line-type</i>, enter the line type.</li> </ul>
Step 8	<b>template</b> <i>name</i> [ ... <i>name</i> ]	Specify the list of CNS connect templates in the CNS connect profile to be applied to the switch configuration. You can specify more than one template.
Step 9		Repeat Steps 7 to 8 to specify more interface parameters and CNS connect templates in the CNS connect profile.
Step 10	<b>exit</b>	Return to global configuration mode.
Step 11	<b>hostname</b> <i>name</i>	Enter the hostname for the switch.
Step 12	<b>ip route</b> <i>network-number</i>	(Optional) Establish a static route to the Configuration Engine whose IP address is <i>network-number</i> .

	Command	Purpose
Step 13	<p><b>cns id</b> <i>interface num</i> { <b>dns-reverse</b>   <b>ipaddress</b>   <b>mac-address</b> } [<b>event</b>] [<b>image</b>]</p> <p>or</p> <p><b>cns id</b> { <b>hardware-serial</b>   <b>hostname</b>   <b>string string</b>   <b>udi</b> } [<b>event</b>] [<b>image</b>]</p>	<p>(Optional) Set the unique EventID or ConfigID used by the Configuration Engine.</p> <ul style="list-style-type: none"> <li>For <i>interface num</i>, enter the type of interface—for example, ethernet, group-async, loopback, or virtual-template. This setting specifies from which interface the IP or MAC address should be retrieved to define the unique ID.</li> <li>For { <b>dns-reverse</b>   <b>ipaddress</b>   <b>mac-address</b> }, enter <b>dns-reverse</b> to retrieve the hostname and assign it as the unique ID, enter <b>ipaddress</b> to use the IP address, or enter <b>mac-address</b> to use the MAC address as the unique ID.</li> <li>(Optional) Enter <b>event</b> to set the ID to be the event-id value used to identify the switch.</li> <li>(Optional) Enter <b>image</b> to set the ID to be the image-id value used to identify the switch.</li> </ul> <p><b>Note</b> If both the <b>event</b> and <b>image</b> keywords are omitted, the image-id value is used to identify the switch.</p> <ul style="list-style-type: none"> <li>For { <b>hardware-serial</b>   <b>hostname</b>   <b>string string</b>   <b>udi</b> }, enter <b>hardware-serial</b> to set the switch serial number as the unique ID, enter <b>hostname</b> (the default) to select the switch hostname as the unique ID, enter an arbitrary text string for <b>string string</b> as the unique ID, or enter <b>udi</b> to set the unique device identifier (UDI) as the unique ID.</li> </ul>

	Command	Purpose
Step 14	<b>cns config initial</b> { <i>hostname / ip-address</i> } [ <i>port-number</i> ] [ <b>event</b> ] [ <b>no-persist</b> ] [ <b>page page</b> ] [ <b>source ip-address</b> ] [ <b>syntax-check</b> ]	<p>Enable the Cisco IOS agent, and initiate an initial configuration.</p> <ul style="list-style-type: none"> <li>For {<i>hostname / ip-address</i>}, enter the hostname or the IP address of the configuration server.</li> <li>(Optional) For <i>port-number</i>, enter the port number of the configuration server. The default port number is 80.</li> <li>(Optional) Enable <b>event</b> for configuration success, failure, or warning messages when the configuration is finished.</li> <li>(Optional) Enable <b>no-persist</b> to suppress the automatic writing to NVRAM of the configuration pulled as a result of entering the <b>cns config initial</b> global configuration command. If the <b>no-persist</b> keyword is not entered, using the <b>cns config initial</b> command causes the resultant configuration to be automatically written to NVRAM.</li> <li>(Optional) For <b>page page</b>, enter the web page of the initial configuration. The default is /Config/config/asp.</li> <li>(Optional) Enter <b>source ip-address</b> to use for source IP address.</li> <li>(Optional) Enable <b>syntax-check</b> to check the syntax when this parameter is entered.</li> </ul> <p><b>Note</b> Though visible in the command-line help string, the <b>encrypt</b>, <b>status url</b>, and <b>inventory</b> keywords are not supported.</p>
Step 15	<b>end</b>	Return to privileged EXEC mode.
Step 16	<b>show cns config connections</b>	Verify information about the configuration agent.
Step 17	<b>show running-config</b>	Verify your entries.

To disable the CNS Cisco IOS agent, use the **no cns config initial** {*ip-address / hostname*} global configuration command.

This example shows how to configure an initial configuration on a remote switch when the switch configuration is unknown (the CNS Zero Touch feature).

```
Switch(config)# cns template connect template-dhcp
Switch(config-tmpl-conn)# cli ip address dhcp
Switch(config-tmpl-conn)# exit
Switch(config)# cns template connect ip-route
Switch(config-tmpl-conn)# cli ip route 0.0.0.0 0.0.0.0 ${next-hop}
Switch(config-tmpl-conn)# exit
Switch(config)# cns connect dhcp
Switch(config-cns-conn)# discover interface gigabitethernet
Switch(config-cns-conn)# template template-dhcp
Switch(config-cns-conn)# template ip-route
Switch(config-cns-conn)# exit
Switch(config)# hostname RemoteSwitch
RemoteSwitch(config)# cns config initial 10.1.1.1 no-persist
```

This example shows how to configure an initial configuration on a remote switch when the switch IP address is known. The Configuration Engine IP address is 172.28.129.22.

```
Switch(config)# cns template connect template-dhcp
Switch(config-tmpl-conn)# cli ip address dhcp
Switch(config-tmpl-conn)# exit
Switch(config)# cns template connect ip-route
Switch(config-tmpl-conn)# cli ip route 0.0.0.0 0.0.0.0 ${next-hop}
Switch(config-tmpl-conn)# exit
Switch(config)# cns connect dhcp
Switch(config-cns-conn)# discover interface gigabitethernet
Switch(config-cns-conn)# template template-dhcp
Switch(config-cns-conn)# template ip-route
Switch(config-cns-conn)# exit
Switch(config)# hostname RemoteSwitch
RemoteSwitch(config)# ip route 172.28.129.22 255.255.255.255 11.11.11.1
RemoteSwitch(config)# cns id ethernet 0 ipaddress
RemoteSwitch(config)# cns config initial 172.28.129.22 no-persist
```

## Enabling a Partial Configuration

Beginning in privileged EXEC mode, follow these steps to enable the Cisco IOS agent and to initiate a partial configuration on the switch:

	Command	Purpose
Step 1	<b>configure terminal</b>	Enter global configuration mode.
Step 2	<b>cns config partial</b> { <i>ip-address</i> / <i>hostname</i> } [ <i>port-number</i> ] [ <b>source</b> <i>ip-address</i> ]	Enable the configuration agent, and initiate a partial configuration. <ul style="list-style-type: none"> <li>For {<i>ip-address</i>   <i>hostname</i>}, enter the IP address or the hostname of the configuration server.</li> <li>(Optional) For <i>port-number</i>, enter the port number of the configuration server. The default port number is 80.</li> <li>(Optional) Enter <b>source</b> <i>ip-address</i> to use for the source IP address.</li> </ul> <p><b>Note</b> Though visible in the command-line help string, the <b>encrypt</b> keyword is not supported.</p>
Step 3	<b>end</b>	Return to privileged EXEC mode.
Step 4	<b>show cns config stats</b> or <b>show cns config outstanding</b>	Verify information about the configuration agent.
Step 5	<b>show running-config</b>	Verify your entries.
Step 6	<b>copy running-config startup-config</b>	(Optional) Save your entries in the configuration file.

To disable the Cisco IOS agent, use the **no cns config partial** {*ip-address* / *hostname*} global configuration command. To cancel a partial configuration, use the **cns config cancel** privileged EXEC command.

## Upgrading Devices with Cisco IOS Image Agent

Administrators maintaining large networks of Cisco IOS devices need an automated mechanism to load image files onto large numbers of remote devices. Existing network management applications are useful to determine which images to run and how to manage images received from the Cisco online software center. Other image distribution solutions do not scale to cover thousands of devices and cannot distribute images to devices behind a firewall. The CNS image agent enables the managed device to initiate a network connection and request an image download allowing devices behind firewalls to access the image server.

You can use image agent to download one or more devices. The switches must have the image agent running on them.

### Prerequisites for the CNS Image Agent

Confirm these prerequisites before upgrading one or more devices with image agent:

- Determine where to store the Cisco IOS images on a file server to make the image available to the other networking devices. If the CNS Event Bus is to be used to store and distribute the images, the CNS event agent must be configured.
- Set up a file server to enable the networking devices to download the new images using the HTTPS protocol.
- Determine how to handle error messages generated by image agent operations. Error messages can be sent to the CNS Event Bus or an HTTP or HTTPS URL.

### Restrictions for the CNS Image Agent

During automated image loading operations you must try to prevent the Cisco IOS device from losing connectivity with the file server that is providing the image. Image reloading is subject to memory issues and connection issues. Boot options must also be configured to allow the Cisco IOS device to boot another image if the first image reload fails.

These other restrictions apply to the image agent running on a the switch:

- You can only download the tar image file. Downloading the bin image file is not supported.
- Only the immediate download option is supported. You cannot schedule a download to occur at a specified date and time.
- The Destination field in the Associate Image with Device window is not supported.

For more details, see your CNS IE2100 documentation and see the “File Management” section of the *Cisco IOS Configuration Fundamentals Configuration Guide, Release 12.2*.

Beginning in privileged EXEC mode, follow these steps to initiate the image agent to check for a new image and upgrade a device:

	Command	Purpose
Step 1	<b>configure terminal</b>	Enter global configuration mode
Step 2	<b>ip host</b> {ip-address} {hostname}	Enter the IP address and the hostname of the event gateway.
Step 3	<b>cns trusted-server all-agents</b> {hostname}	Specify a trusted server for CNS agent.
Step 4	<b>no cns aaa enable cns event</b> {ip-address} {port number}	Disable AAA authentication on the event gateway.



	Command	Purpose
Step 5	<b>cns image retry</b> { <i>number</i> }	Specify the number of times to retry and download the image.
Step 6	<b>cns image server</b> { <i>ip-address</i> } <b>status</b> { <i>ip-address</i> }	Download the image from the server to the switch.
Step 7	<b>end</b>	Return to privileged EXEC mode.



**Note** This example shows how to upgrade a switch from a server with the address of **172.20.249.20**:

```
Switch(config)> configure terminal
Switch(config)# ip host cns-dsbu.cisco.com 172.20.249.20
Switch(config)# cns trusted-server all-agents cns-dsbu.cisco.com
Switch(config)# no cns aaa enable cns event 172.20.249.20 22022
Switch(config)# cns image retry 1
Switch(config)# cns image server http://172.20.249.20:80/cns/HttpMsgDispatcher status
http://172.20.249.20:80/cns/HttpMsgDispatcher
Switch(config)# end
```

You can check the status of the image download by using the **show cns image** status user EXEC command.

## Displaying CNS Configuration

You can use the privileged EXEC commands in [Table 4-2](#) to display CNS configuration information.

**Table 4-2** *Displaying CNS Configuration*

Command	Purpose
<b>show cns config connections</b>	Displays the status of the CNS Cisco IOS agent connections.
<b>show cns config outstanding</b>	Displays information about incremental (partial) CNS configurations that have started but are not yet completed.
<b>show cns config stats</b>	Displays statistics about the Cisco IOS agent.
<b>show cns event connections</b>	Displays the status of the CNS event agent connections.
<b>show cns event stats</b>	Displays statistics about the CNS event agent.
<b>show cns event subject</b>	Displays a list of event agent subjects that are subscribed to by applications.





# CHAPTER 5

## Administering the Switch

---

This chapter describes how to perform one-time operations to administer the Cisco ME 3400E Ethernet Access switch.

This chapter consists of these sections:

- [Managing the System Time and Date, page 5-1](#)
- [Configuring a System Name and Prompt, page 5-14](#)
- [Creating a Banner, page 5-17](#)
- [Managing the MAC Address Table, page 5-19](#)
- [Managing the ARP Table, page 5-31](#)

## Managing the System Time and Date

You can manage the system time and date on your switch using automatic configuration, such as the Network Time Protocol (NTP), or manual configuration methods.



**Note**

---

For complete syntax and usage information for the commands used in this section, see the *Cisco IOS Configuration Fundamentals Command Reference, Release 12.2*.

---

These sections contain this configuration information:

- [Understanding the System Clock, page 5-2](#)
- [Understanding Network Time Protocol, page 5-2](#)
- [Configuring NTP, page 5-4](#)
- [Configuring Time and Date Manually, page 5-11](#)

## Understanding the System Clock

The heart of the time service is the system clock. This clock runs from the moment the system starts up and keeps track of the date and time.

The system clock can then be set from these sources:

- NTP
- Manual configuration

The system clock can provide time to these services:

- User **show** commands
- Logging and debugging messages

The system clock keeps track of time internally based on Universal Time Coordinated (UTC), also known as Greenwich Mean Time (GMT). You can configure information about the local time zone and summer time (daylight saving time) so that the time appears correctly for the local time zone.

The system clock keeps track of whether the time is *authoritative* or not (that is, whether it has been set by a time source considered to be authoritative). If it is not authoritative, the time is available only for display purposes and is not redistributed. For configuration information, see the “[Configuring Time and Date Manually](#)” section on page 5-11.

## Understanding Network Time Protocol

The NTP is designed to time-synchronize a network of devices. NTP runs over User Datagram Protocol (UDP), which runs over IP. NTP is documented in RFC 1305.

An NTP network usually gets its time from an authoritative time source, such as a radio clock or an atomic clock attached to a time server. NTP then distributes this time across the network. NTP is extremely efficient; no more than one packet per minute is necessary to synchronize two devices to within a millisecond of one another.

NTP uses the concept of a *stratum* to describe how many NTP hops away a device is from an authoritative time source. A stratum 1 time server has a radio or atomic clock directly attached, a stratum 2 time server receives its time through NTP from a stratum 1 time server, and so on. A device running NTP automatically chooses as its time source the device with the lowest stratum number with which it communicates through NTP. This strategy effectively builds a self-organizing tree of NTP speakers.

NTP avoids synchronizing to a device whose time might not be accurate by never synchronizing to a device that is not synchronized. NTP also compares the time reported by several devices and does not synchronize to a device whose time is significantly different than the others, even if its stratum is lower.

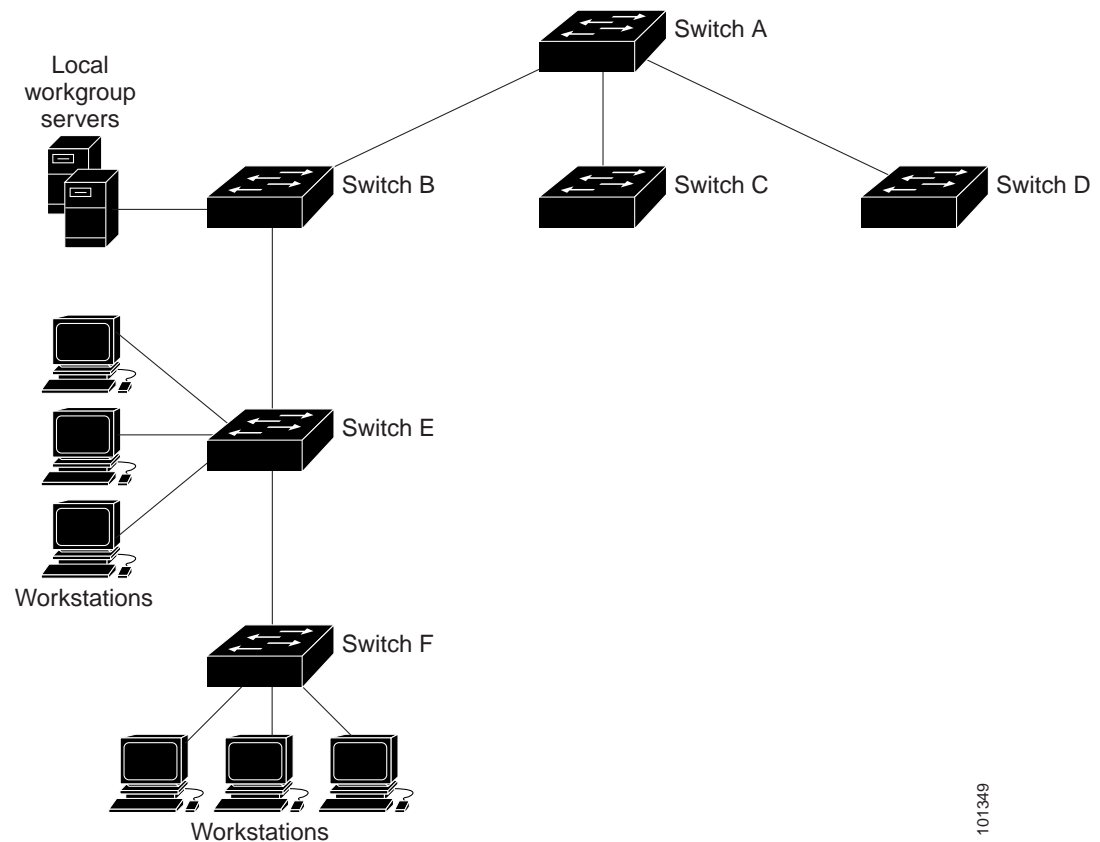
The communications between devices running NTP (known as *associations*) are usually statically configured; each device is given the IP address of all devices with which it should form associations. Accurate timekeeping is possible by exchanging NTP messages between each pair of devices with an association. However, in a LAN environment, NTP can be configured to use IP broadcast messages instead. This alternative reduces configuration complexity because each device can simply be configured to send or receive broadcast messages. However, in that case, information flow is one-way only.

The time kept on a device is a critical resource; you should use the security features of NTP to avoid the accidental or malicious setting of an incorrect time. Two mechanisms are available: an access list-based restriction scheme and an encrypted authentication mechanism.

Cisco's implementation of NTP does not support stratum 1 service; it is not possible to connect to a radio or atomic clock. We recommend that the time service for your network be derived from the public NTP servers available on the IP Internet.

Figure 5-1 shows a typical network example using NTP. Switch A is the NTP master, with Switches B, C, and D configured in NTP server mode, in server association with Switch A. Switch E is configured as an NTP peer to the upstream and downstream switches, Switch B and Switch F.

Figure 5-1 Typical NTP Network Configuration



If the network is isolated from the Internet, Cisco's implementation of NTP allows a device to act as if it is synchronized through NTP, when in fact it has learned the time by using other means. Other devices then synchronize to that device through NTP.

When multiple sources of time are available, NTP is always considered to be more authoritative. NTP time overrides the time set by any other method.

Several manufacturers include NTP software for their host systems, and a publicly available version for systems running UNIX and its various derivatives is also available. This software allows host systems to be time-synchronized as well.

101349

## Configuring NTP

The switch does not have a hardware-supported clock and cannot function as an NTP master clock to which peers synchronize themselves when an external NTP source is not available. The switch also has no hardware support for a calendar. As a result, the **ntp update-calendar** and the **ntp master** global configuration commands are not available.

These sections contain this configuration information:

- [Default NTP Configuration, page 5-4](#)
- [Configuring NTP Authentication, page 5-4](#)
- [Configuring NTP Associations, page 5-5](#)
- [Configuring NTP Broadcast Service, page 5-6](#)
- [Configuring NTP Access Restrictions, page 5-8](#)
- [Configuring the Source IP Address for NTP Packets, page 5-10](#)
- [Displaying the NTP Configuration, page 5-11](#)

### Default NTP Configuration

Table 5-1 shows the default NTP configuration.

**Table 5-1** Default NTP Configuration

Feature	Default Setting
NTP authentication	Disabled. No authentication key is specified.
NTP peer or server associations	None configured.
NTP broadcast service	Disabled; no interface sends or receives NTP broadcast packets.
NTP access restrictions	No access control is specified.
NTP packet source IP address	The source address is set by the outgoing interface.

NTP is enabled on all interfaces by default. All interfaces receive NTP packets.

### Configuring NTP Authentication

This procedure must be coordinated with the administrator of the NTP server; the information you configure in this procedure must be matched by the servers used by the switch to synchronize its time to the NTP server.

Beginning in privileged EXEC mode, follow these steps to authenticate the associations (communications between devices running NTP that provide for accurate timekeeping) with other devices for security purposes:

	Command	Purpose
Step 1	<b>configure terminal</b>	Enter global configuration mode.
Step 2	<b>ntp authenticate</b>	Enable the NTP authentication feature, which is disabled by default.

	Command	Purpose
Step 3	<b>ntp authentication-key</b> <i>number</i> <b>md5</b> <i>value</i>	<p>Define the authentication keys. By default, none are defined.</p> <ul style="list-style-type: none"> <li>For <i>number</i>, specify a key number. The range is 1 to 4294967295.</li> <li><b>md5</b> specifies that message authentication support is provided by using the message digest algorithm 5 (MD5).</li> <li>For <i>value</i>, enter an arbitrary string of up to eight characters for the key.</li> </ul> <p>The switch does not synchronize to a device unless both have one of these authentication keys, and the key number is specified by the <b>ntp trusted-key</b> <i>key-number</i> command.</p>
Step 4	<b>ntp trusted-key</b> <i>key-number</i>	<p>Specify one or more key numbers (defined in Step 3) that a peer NTP device must provide in its NTP packets for this switch to synchronize to it.</p> <p>By default, no trusted keys are defined.</p> <p>For <i>key-number</i>, specify the key defined in Step 3.</p> <p>This command provides protection against accidentally synchronizing the switch to a device that is not trusted.</p>
Step 5	<b>end</b>	Return to privileged EXEC mode.
Step 6	<b>show running-config</b>	Verify your entries.
Step 7	<b>copy running-config startup-config</b>	(Optional) Save your entries in the configuration file.

To disable NTP authentication, use the **no ntp authenticate** global configuration command. To remove an authentication key, use the **no ntp authentication-key** *number* global configuration command. To disable authentication of the identity of a device, use the **no ntp trusted-key** *key-number* global configuration command.

This example shows how to configure the switch to synchronize only to devices providing authentication key 42 in the device's NTP packets:

```
Switch(config)# ntp authenticate
Switch(config)# ntp authentication-key 42 md5 aNiceKey
Switch(config)# ntp trusted-key 42
```

## Configuring NTP Associations

An NTP association can be a peer association (this switch can either synchronize to the other device or allow the other device to synchronize to it), or it can be a server association (meaning that only this switch synchronizes to the other device, and not the other way around).

Beginning in privileged EXEC mode, follow these steps to form an NTP association with another device:

	Command	Purpose
Step 1	<b>configure terminal</b>	Enter global configuration mode.
Step 2	<b>ntp peer</b> <i>ip-address</i> [ <b>version</b> <i>number</i> ] [ <b>key</b> <i>keyid</i> ] [ <b>source</b> <i>interface</i> ] [ <b>prefer</b> ] or <b>ntp server</b> <i>ip-address</i> [ <b>version</b> <i>number</i> ] [ <b>key</b> <i>keyid</i> ] [ <b>source</b> <i>interface</i> ] [ <b>prefer</b> ]	Configure the switch system clock to synchronize a peer or to be synchronized by a peer (peer association). or Configure the switch system clock to be synchronized by a time server (server association).  No peer or server associations are defined by default. <ul style="list-style-type: none"> <li>For <i>ip-address</i> in a peer association, specify either the IP address of the peer providing, or being provided, the clock synchronization. For a server association, specify the IP address of the time server providing the clock synchronization.</li> <li>(Optional) For <i>number</i>, specify the NTP version number. The range is 1 to 3. By default, Version 3 is selected.</li> <li>(Optional) For <i>keyid</i>, enter the authentication key defined with the <b>ntp authentication-key</b> global configuration command.</li> <li>(Optional) For <i>interface</i>, specify the interface from which to pick the IP source address. By default, the source IP address is taken from the outgoing interface.</li> <li>(Optional) Enter the <b>prefer</b> keyword to make this peer or server the preferred one that provides synchronization. This keyword reduces switching back and forth between peers and servers.</li> </ul>
Step 3	<b>end</b>	Return to privileged EXEC mode.
Step 4	<b>show running-config</b>	Verify your entries.
Step 5	<b>copy running-config startup-config</b>	(Optional) Save your entries in the configuration file.

You need to configure only one end of an association; the other device can automatically establish the association. If you are using the default NTP version (Version 3) and NTP synchronization does not occur, try using NTP Version 2. Many NTP servers on the Internet run Version 2.

To remove a peer or server association, use the **no ntp peer** *ip-address* or the **no ntp server** *ip-address* global configuration command.

This example shows how to configure the switch to synchronize its system clock with the clock of the peer at IP address 172.16.22.44 using NTP Version 2:

```
Switch(config)# ntp server 172.16.22.44 version 2
```

## Configuring NTP Broadcast Service

The communications between devices running NTP (known as *associations*) are usually statically configured; each device is given the IP addresses of all devices with which it should form associations. Accurate timekeeping is possible by exchanging NTP messages between each pair of devices with an association. However, in a LAN environment, NTP can be configured to use IP broadcast messages instead. This alternative reduces configuration complexity because each device can simply be configured to send or receive broadcast messages. However, the information flow is one-way only.



The switch can send or receive NTP broadcast packets on an interface-by-interface basis if there is an NTP broadcast server, such as a router, broadcasting time information on the network. The switch can send NTP broadcast packets to a peer so that the peer can synchronize to it. The switch can also receive NTP broadcast packets to synchronize its own clock. This section provides procedures for both sending and receiving NTP broadcast packets.

Beginning in privileged EXEC mode, follow these steps to configure the switch to send NTP broadcast packets to peers so that they can synchronize their clock to the switch:

	Command	Purpose
Step 1	<b>configure terminal</b>	Enter global configuration mode.
Step 2	<b>interface</b> <i>interface-id</i>	Specify the interface to send NTP broadcast packets, and enter interface configuration mode.
Step 3	<b>no shutdown</b>	Enable the port, if necessary. By default, user network interfaces (UNIs) and enhanced network interfaces (ENIs) are disabled, and network node interfaces (NNIs) are enabled.
Step 4	<b>ntp broadcast</b> [ <i>version number</i> ] [ <i>key keyid</i> ] [ <i>destination-address</i> ]	Enable the interface to send NTP broadcast packets to a peer. By default, this feature is disabled on all interfaces. <ul style="list-style-type: none"> <li>• (Optional) For <i>number</i>, specify the NTP version number. The range is 1 to 3. If you do not specify a version, Version 3 is used.</li> <li>• (Optional) For <i>keyid</i>, specify the authentication key to use when sending packets to the peer.</li> <li>• (Optional) For <i>destination-address</i>, specify the IP address of the peer that is synchronizing its clock to this switch.</li> </ul>
Step 5	<b>end</b>	Return to privileged EXEC mode.
Step 6	<b>show running-config</b>	Verify your entries.
Step 7	<b>copy running-config startup-config</b>	(Optional) Save your entries in the configuration file.
Step 8		Configure the connected peers to receive NTP broadcast packets as described in the next procedure.

To disable the interface from sending NTP broadcast packets, use the **no ntp broadcast** interface configuration command.

This example shows how to configure a port to send NTP Version 2 packets:

```
Switch(config)# interface gigabitethernet0/1
Switch(config-if)# ntp broadcast version 2
```

Beginning in privileged EXEC mode, follow these steps to configure the switch to receive NTP broadcast packets from connected peers:

	Command	Purpose
Step 1	<b>configure terminal</b>	Enter global configuration mode.
Step 2	<b>interface</b> <i>interface-id</i>	Specify the interface to receive NTP broadcast packets, and enter interface configuration mode.
Step 3	<b>no shutdown</b>	Enable the port, if necessary. By default, UNIs and enhanced network interfaces (ENIs) are disabled, and NNIs are enabled.

	Command	Purpose
Step 4	<b>ntp broadcast client</b>	Enable the interface to receive NTP broadcast packets. By default, no interfaces receive NTP broadcast packets.
Step 5	<b>exit</b>	Return to global configuration mode.
Step 6	<b>ntp broadcastdelay</b> <i>microseconds</i>	(Optional) Change the estimated round-trip delay between the switch and the NTP broadcast server. The default is 3000 microseconds; the range is 1 to 999999.
Step 7	<b>end</b>	Return to privileged EXEC mode.
Step 8	<b>show running-config</b>	Verify your entries.
Step 9	<b>copy running-config startup-config</b>	(Optional) Save your entries in the configuration file.

To disable an interface from receiving NTP broadcast packets, use the **no ntp broadcast client** interface configuration command. To change the estimated round-trip delay to the default, use the **no ntp broadcastdelay** global configuration command.

This example shows how to configure a port to receive NTP broadcast packets:

```
Switch(config)# interface gigabitethernet0/1
Switch(config-if)# ntp broadcast client
```

## Configuring NTP Access Restrictions

You can control NTP access on two levels as described in these sections:

- [Creating an Access Group and Assigning a Basic IP Access List, page 5-8](#)
- [Disabling NTP Services on a Specific Interface, page 5-10](#)

### Creating an Access Group and Assigning a Basic IP Access List

Beginning in privileged EXEC mode, follow these steps to control access to NTP services by using access lists:

	Command	Purpose
Step 1	<b>configure terminal</b>	Enter global configuration mode.
Step 2	<b>ntp access-group</b> { <b>query-only</b>   <b>serve-only</b>   <b>serve</b>   <b>peer</b> } <i>access-list-number</i>	Create an access group, and apply a basic IP access list. The keywords have these meanings: <ul style="list-style-type: none"> <li>• <b>query-only</b>—Allows only NTP control queries.</li> <li>• <b>serve-only</b>—Allows only time requests.</li> <li>• <b>serve</b>—Allows time requests and NTP control queries, but does not allow the switch to synchronize to the remote device.</li> <li>• <b>peer</b>—Allows time requests and NTP control queries and allows the switch to synchronize to the remote device.</li> </ul> For <i>access-list-number</i> , enter a standard IP access list number from 1 to 99.

	Command	Purpose
Step 3	<b>access-list</b> <i>access-list-number</i> <b>permit</b> <i>source</i> [ <i>source-wildcard</i> ]	Create the access list. <ul style="list-style-type: none"> <li>For <i>access-list-number</i>, enter the number specified in Step 2.</li> <li>Enter the <b>permit</b> keyword to permit access if the conditions are matched.</li> <li>For <i>source</i>, enter the IP address of the device that is permitted access to the switch.</li> <li>(Optional) For <i>source-wildcard</i>, enter the wildcard bits to be applied to the source.</li> </ul> <p><b>Note</b> When creating an access list, remember that, by default, the end of the access list contains an implicit deny statement for everything if it did not find a match before reaching the end.</p>
Step 4	<b>end</b>	Return to privileged EXEC mode.
Step 5	<b>show running-config</b>	Verify your entries.
Step 6	<b>copy running-config startup-config</b>	(Optional) Save your entries in the configuration file.

The access group keywords are scanned in this order, from least restrictive to most restrictive:

- peer**—Allows time requests and NTP control queries and allows the switch to synchronize itself to a device whose address passes the access list criteria.
- serve**—Allows time requests and NTP control queries, but does not allow the switch to synchronize itself to a device whose address passes the access list criteria.
- serve-only**—Allows only time requests from a device whose address passes the access list criteria.
- query-only**—Allows only NTP control queries from a device whose address passes the access list criteria.

If the source IP address matches the access lists for more than one access type, the first type is granted. If no access groups are specified, all access types are granted to all devices. If any access groups are specified, only the specified access types are granted.

To remove access control to the switch NTP services, use the **no ntp access-group {query-only | serve-only | serve | peer}** global configuration command.

This example shows how to configure the switch to allow itself to synchronize to a peer from access list 99. However, the switch restricts access to allow only time requests from access list 42:

```
Switch# configure terminal
Switch(config)# ntp access-group peer 99
Switch(config)# ntp access-group serve-only 42
Switch(config)# access-list 99 permit 172.20.130.5
Switch(config)# access list 42 permit 172.20.130.6
```

## Disabling NTP Services on a Specific Interface

NTP services are enabled on all interfaces by default.

Beginning in privileged EXEC mode, follow these steps to disable NTP packets from being received on an interface:

	Command	Purpose
Step 1	<b>configure terminal</b>	Enter global configuration mode.
Step 2	<b>interface</b> <i>interface-id</i>	Enter interface configuration mode, and specify the interface to disable.
Step 3	<b>no shutdown</b>	Enable the port, if necessary. By default, UNIs and enhanced network interfaces (ENIs) are disabled, and NNIs are enabled.
Step 4	<b>ntp disable</b>	Disable NTP packets from being received on the interface. By default, all interfaces receive NTP packets.
Step 5	<b>end</b>	Return to privileged EXEC mode.
Step 6	<b>show running-config</b>	Verify your entries.
Step 7	<b>copy running-config startup-config</b>	(Optional) Save your entries in the configuration file.

To re-enable receipt of NTP packets on an interface, use the **no ntp disable** interface configuration command.

## Configuring the Source IP Address for NTP Packets

When the switch sends an NTP packet, the source IP address is normally set to the address of the interface through which the NTP packet is sent. Use the **ntp source** global configuration command when you want to use a particular source IP address for all NTP packets. The address is taken from the specified interface. This command is useful if the address on an interface cannot be used as the destination for reply packets.

Beginning in privileged EXEC mode, follow these steps to configure a specific interface from which the IP source address is to be taken:

	Command	Purpose
Step 1	<b>configure terminal</b>	Enter global configuration mode.
Step 2	<b>ntp source</b> <i>type number</i>	Specify the interface type and number from which the IP source address is taken. By default, the source address is set by the outgoing interface.
Step 3	<b>end</b>	Return to privileged EXEC mode.
Step 4	<b>show running-config</b>	Verify your entries.
Step 5	<b>copy running-config startup-config</b>	(Optional) Save your entries in the configuration file.

The specified interface is used for the source address for all packets sent to all destinations. If a source address is to be used for a specific association, use the **source** keyword in the **ntp peer** or **ntp server** global configuration command as described in the [“Configuring NTP Associations” section on page 5-5](#).

## Displaying the NTP Configuration

You can use two privileged EXEC commands to display NTP information:

- **show ntp associations [detail]**
- **show ntp status**

For detailed information about the fields in these displays, see the *Cisco IOS Configuration Fundamentals Command Reference, Release 12.2*.

## Configuring Time and Date Manually

If no other source of time is available, you can manually configure the time and date after the system is restarted. The time remains accurate until the next system restart. We recommend that you use manual configuration only as a last resort. If you have an outside source to which the switch can synchronize, you do not need to manually set the system clock.

These sections contain this configuration information:

- [Setting the System Clock, page 5-11](#)
- [Displaying the Time and Date Configuration, page 5-12](#)
- [Configuring the Time Zone, page 5-12](#)
- [Configuring Summer Time \(Daylight Saving Time\), page 5-13](#)

## Setting the System Clock

If you have an outside source on the network that provides time services, such as an NTP server, you do not need to manually set the system clock.

Beginning in privileged EXEC mode, follow these steps to set the system clock:

	Command	Purpose
Step 1	<b>clock set <i>hh:mm:ss day month year</i></b> or <b>clock set <i>hh:mm:ss month day year</i></b>	Manually set the system clock using one of these formats. <ul style="list-style-type: none"> <li>• For <i>hh:mm:ss</i>, specify the time in hours (24-hour format), minutes, and seconds. The time specified is relative to the configured time zone.</li> <li>• For <i>day</i>, specify the day by date in the month.</li> <li>• For <i>month</i>, specify the month by name.</li> <li>• For <i>year</i>, specify the year (no abbreviation).</li> </ul>

This example shows how to manually set the system clock to 1:32 p.m. on July 23, 2001:

```
Switch# clock set 13:32:00 23 July 2001
```

## Displaying the Time and Date Configuration

To display the time and date configuration, use the **show clock [detail]** privileged EXEC command.

The system clock keeps an *authoritative* flag that shows whether the time is authoritative (believed to be accurate). If the system clock has been set by a timing source such as NTP, the flag is set. If the time is not authoritative, it is used only for display purposes. Until the clock is authoritative and the *authoritative* flag is set, the flag prevents peers from synchronizing to the clock when the peers' time is invalid.

The symbol that precedes the **show clock** display has this meaning:

- \*—Time is not authoritative.
- (blank)—Time is authoritative.
- .—Time is authoritative, but NTP is not synchronized.

## Configuring the Time Zone

Beginning in privileged EXEC mode, follow these steps to manually configure the time zone:

	Command	Purpose
Step 1	<b>configure terminal</b>	Enter global configuration mode.
Step 2	<b>clock timezone</b> <i>zone hours-offset</i> [ <i>minutes-offset</i> ]	Set the time zone.  The switch keeps internal time in universal time coordinated (UTC), so this command is used only for display purposes and when the time is manually set. <ul style="list-style-type: none"> <li>• For <i>zone</i>, enter the name of the time zone to be displayed when standard time is in effect. The default is UTC.</li> <li>• For <i>hours-offset</i>, enter the hours offset from UTC.</li> <li>• (Optional) For <i>minutes-offset</i>, enter the minutes offset from UTC.</li> </ul>
Step 3	<b>end</b>	Return to privileged EXEC mode.
Step 4	<b>show running-config</b>	Verify your entries.
Step 5	<b>copy running-config startup-config</b>	(Optional) Save your entries in the configuration file.

The *minutes-offset* variable in the **clock timezone** global configuration command is available for those cases where a local time zone is a percentage of an hour different from UTC. For example, the time zone for some sections of Atlantic Canada (AST) is UTC-3.5, where the 3 means 3 hours and .5 means 50 percent. In this case, the necessary command is **clock timezone AST -3 30**.

To set the time to UTC, use the **no clock timezone** global configuration command.

## Configuring Summer Time (Daylight Saving Time)

Beginning in privileged EXEC mode, follow these steps to configure summer time (daylight saving time) in areas where it starts and ends on a particular day of the week each year:

	Command	Purpose
Step 1	<b>configure terminal</b>	Enter global configuration mode.
Step 2	<b>clock summer-time zone recurring</b> [ <i>week day month hh:mm week day month</i> <i>hh:mm [offset]</i> ]	Configure summer time to start and end on the specified days every year. Summer time is disabled by default. If you specify <b>clock summer-time zone recurring</b> without parameters, the summer time rules default to the United States rules. <ul style="list-style-type: none"> <li>For <i>zone</i>, specify the name of the time zone (for example, PDT) to be displayed when summer time is in effect.</li> <li>(Optional) For <i>week</i>, specify the week of the month (1 to 5 or <b>last</b>).</li> <li>(Optional) For <i>day</i>, specify the day of the week (Sunday, Monday...).</li> <li>(Optional) For <i>month</i>, specify the month (January, February...).</li> <li>(Optional) For <i>hh:mm</i>, specify the time (24-hour format) in hours and minutes.</li> <li>(Optional) For <i>offset</i>, specify the number of minutes to add during summer time. The default is 60.</li> </ul>
Step 3	<b>end</b>	Return to privileged EXEC mode.
Step 4	<b>show running-config</b>	Verify your entries.
Step 5	<b>copy running-config startup-config</b>	(Optional) Save your entries in the configuration file.

The first part of the **clock summer-time** global configuration command specifies when summer time begins, and the second part specifies when it ends. All times are relative to the local time zone. The start time is relative to standard time. The end time is relative to summer time. If the starting month is after the ending month, the system assumes that you are in the southern hemisphere.

This example shows how to specify that summer time starts on the first Sunday in April at 02:00 and ends on the last Sunday in October at 02:00:

```
Switch(config)# clock summer-time PDT recurring 1 Sunday April 2:00 last Sunday October 2:00
```

Beginning in privileged EXEC mode, follow these steps if summer time in your area does not follow a recurring pattern (configure the exact date and time of the next summer time events):

	Command	Purpose
Step 1	<b>configure terminal</b>	Enter global configuration mode.
Step 2	<b>clock summer-time zone date</b> [month date year hh:mm month date year hh:mm [offset]] or <b>clock summer-time zone date</b> [date month year hh:mm date month year hh:mm [offset]]	Configure summer time to start on the first date and end on the second date.  Summer time is disabled by default. <ul style="list-style-type: none"> <li>For <i>zone</i>, specify the name of the time zone (for example, PDT) to be displayed when summer time is in effect.</li> <li>(Optional) For <i>week</i>, specify the week of the month (1 to 5 or <b>last</b>).</li> <li>(Optional) For <i>day</i>, specify the day of the week (Sunday, Monday...).</li> <li>(Optional) For <i>month</i>, specify the month (January, February...).</li> <li>(Optional) For <i>hh:mm</i>, specify the time (24-hour format) in hours and minutes.</li> <li>(Optional) For <i>offset</i>, specify the number of minutes to add during summer time. The default is 60.</li> </ul>
Step 3	<b>end</b>	Return to privileged EXEC mode.
Step 4	<b>show running-config</b>	Verify your entries.
Step 5	<b>copy running-config startup-config</b>	(Optional) Save your entries in the configuration file.

The first part of the **clock summer-time** global configuration command specifies when summer time begins, and the second part specifies when it ends. All times are relative to the local time zone. The start time is relative to standard time. The end time is relative to summer time. If the starting month is after the ending month, the system assumes that you are in the southern hemisphere.

To disable summer time, use the **no clock summer-time** global configuration command.

This example shows how to set summer time to start on October 12, 2000, at 02:00, and end on April 26, 2001, at 02:00:

```
Switch(config)# clock summer-time pdt date 12 October 2000 2:00 26 April 2001 2:00
```

## Configuring a System Name and Prompt

You configure the system name on the switch to identify it. By default, the system name and prompt are *Switch*.

If you have not configured a system prompt, the first 20 characters of the system name are used as the system prompt. A greater-than symbol [>] is appended. The prompt is updated whenever the system name changes.

For complete syntax and usage information for the commands used in this section, see the *Cisco IOS Configuration Fundamentals Command Reference, Release 12.2* and the *Cisco IOS IP Command Reference, Volume 2 of 3: Routing Protocols, Release 12.2*.



These sections contain this configuration information:

- [Default System Name and Prompt Configuration, page 5-15](#)
- [Configuring a System Name, page 5-15](#)
- [Understanding DNS, page 5-15](#)

## Default System Name and Prompt Configuration

The default switch system name and prompt is *Switch*.

## Configuring a System Name

Beginning in privileged EXEC mode, follow these steps to manually configure a system name:

	Command	Purpose
Step 1	<b>configure terminal</b>	Enter global configuration mode.
Step 2	<b>hostname <i>name</i></b>	Manually configure a system name.  The default setting is <i>switch</i> .  The name must follow the rules for ARPANET hostnames. They must start with a letter, end with a letter or digit, and have as interior characters only letters, digits, and hyphens. Names can be up to 63 characters.
Step 3	<b>end</b>	Return to privileged EXEC mode.
Step 4	<b>show running-config</b>	Verify your entries.
Step 5	<b>copy running-config startup-config</b>	(Optional) Save your entries in the configuration file.

When you set the system name, it is also used as the system prompt.

To return to the default hostname, use the **no hostname** global configuration command.

## Understanding DNS

The DNS protocol controls the Domain Name System (DNS), a distributed database with which you can map hostnames to IP addresses. When you configure DNS on your switch, you can substitute the hostname for the IP address with all IP commands, such as **ping**, **telnet**, **connect**, and related Telnet support operations.

IP defines a hierarchical naming scheme that allows a device to be identified by its location or domain. Domain names are pieced together with periods (.) as the delimiting characters. For example, Cisco Systems is a commercial organization that IP identifies by a *com* domain name, so its domain name is *cisco.com*. A specific device in this domain, for example, the File Transfer Protocol (FTP) system is identified as *ftp.cisco.com*.

To keep track of domain names, IP has defined the concept of a domain name server, which holds a cache (or database) of names mapped to IP addresses. To map domain names to IP addresses, you must first identify the hostnames, specify the name server that is present on your network, and enable the DNS.

These sections contain this configuration information:

- [Default DNS Configuration, page 5-16](#)
- [Setting Up DNS, page 5-16](#)
- [Displaying the DNS Configuration, page 5-17](#)

## Default DNS Configuration

[Table 5-2](#) shows the default DNS configuration.

**Table 5-2** Default DNS Configuration

Feature	Default Setting
DNS enable state	Enabled.
DNS default domain name	None configured.
DNS servers	No name server addresses are configured.

## Setting Up DNS

Beginning in privileged EXEC mode, follow these steps to set up your switch to use the DNS:

	Command	Purpose
Step 1	<b>configure terminal</b>	Enter global configuration mode.
Step 2	<b>ip domain-name</b> <i>name</i>	Define a default domain name that the software uses to complete unqualified hostnames (names without a dotted-decimal domain name).  Do not include the initial period that separates an unqualified name from the domain name.  At boot time, no domain name is configured; however, if the switch configuration comes from a BOOTP or Dynamic Host Configuration Protocol (DHCP) server, then the default domain name might be set by the BOOTP or DHCP server (if the servers were configured with this information).
Step 3	<b>ip name-server</b> <i>server-address1</i> [ <i>server-address2</i> ... <i>server-address6</i> ]	Specify the address of one or more name servers to use for name and address resolution.  You can specify up to six name servers. Separate each server address with a space. The first server specified is the primary server. The switch sends DNS queries to the primary server first. If that query fails, the backup servers are queried.
Step 4	<b>ip domain-lookup</b>	(Optional) Enable DNS-based hostname-to-address translation on your switch. This feature is enabled by default.  If your network devices require connectivity with devices in networks for which you do not control name assignment, you can dynamically assign device names that uniquely identify your devices by using the global Internet naming scheme (DNS).
Step 5	<b>end</b>	Return to privileged EXEC mode.

	Command	Purpose
Step 6	<b>show running-config</b>	Verify your entries.
Step 7	<b>copy running-config startup-config</b>	(Optional) Save your entries in the configuration file.

If you use the switch IP address as its hostname, the IP address is used and no DNS query occurs. If you configure a hostname that contains no periods (.), a period followed by the default domain name is appended to the hostname before the DNS query is made to map the name to an IP address. The default domain name is the value set by the **ip domain-name** global configuration command. If there is a period (.) in the hostname, the Cisco IOS software looks up the IP address without appending any default domain name to the hostname.

To remove a domain name, use the **no ip domain-name** *name* global configuration command. To remove a name server address, use the **no ip name-server** *server-address* global configuration command. To disable DNS on the switch, use the **no ip domain-lookup** global configuration command.

## Displaying the DNS Configuration

To display the DNS configuration information, use the **show running-config** privileged EXEC command.

## Creating a Banner

You can configure a message-of-the-day (MOTD) and a login banner. The MOTD banner displays on all connected terminals at login and is useful for sending messages that affect all network users (such as impending system shutdowns).

The login banner also displays on all connected terminals. It appears after the MOTD banner and before the login prompts.



### Note

For complete syntax and usage information for the commands used in this section, see the *Cisco IOS Configuration Fundamentals Command Reference, Release 12.2*.

These sections contain this configuration information:

- [Default Banner Configuration, page 5-17](#)
- [Configuring a Message-of-the-Day Login Banner, page 5-18](#)
- [Configuring a Login Banner, page 5-19](#)

## Default Banner Configuration

The MOTD and login banners are not configured.

## Configuring a Message-of-the-Day Login Banner

You can create a single or multiline message banner that appears on the screen when someone logs in to the switch.

Beginning in privileged EXEC mode, follow these steps to configure a MOTD login banner:

	Command	Purpose
Step 1	<b>configure terminal</b>	Enter global configuration mode.
Step 2	<b>banner motd</b> <i>c message c</i>	Specify the message of the day.  For <i>c</i> , enter the delimiting character of your choice, for example, a pound sign (#), and press the <b>Return</b> key. The delimiting character signifies the beginning and end of the banner text. Characters after the ending delimiter are discarded.  For <i>message</i> , enter a banner message up to 255 characters. You cannot use the delimiting character in the message.
Step 3	<b>end</b>	Return to privileged EXEC mode.
Step 4	<b>show running-config</b>	Verify your entries.
Step 5	<b>copy running-config startup-config</b>	(Optional) Save your entries in the configuration file.

To delete the MOTD banner, use the **no banner motd** global configuration command.

This example shows how to configure a MOTD banner for the switch by using the pound sign (#) symbol as the beginning and ending delimiter:

```
Switch(config)# banner motd #
This is a secure site. Only authorized users are allowed.
For access, contact technical support.
#
Switch(config)#
```

This example shows the banner that appears from the previous configuration:

```
Unix> telnet 172.2.5.4
Trying 172.2.5.4...
Connected to 172.2.5.4.
Escape character is '^]'.

```

```
This is a secure site. Only authorized users are allowed.
For access, contact technical support.
```

```
User Access Verification
```

```
Password:
```

## Configuring a Login Banner

You can configure a login banner to be displayed on all connected terminals. This banner appears after the MOTD banner and before the login prompt.

Beginning in privileged EXEC mode, follow these steps to configure a login banner:

	Command	Purpose
Step 1	<b>configure terminal</b>	Enter global configuration mode.
Step 2	<b>banner login c message c</b>	Specify the login message.  For <i>c</i> , enter the delimiting character of your choice, for example, a pound sign (#), and press the <b>Return</b> key. The delimiting character signifies the beginning and end of the banner text. Characters after the ending delimiter are discarded.  For <i>message</i> , enter a login message up to 255 characters. You cannot use the delimiting character in the message.
Step 3	<b>end</b>	Return to privileged EXEC mode.
Step 4	<b>show running-config</b>	Verify your entries.
Step 5	<b>copy running-config startup-config</b>	(Optional) Save your entries in the configuration file.

To delete the login banner, use the **no banner login** global configuration command.

This example shows how to configure a login banner for the switch by using the dollar sign (\$) symbol as the beginning and ending delimiter:

```
Switch(config)# banner login $
Access for authorized users only. Please enter your username and password.
$
Switch(config)#
```

## Managing the MAC Address Table

The MAC address table contains address information that the switch uses to forward traffic between ports. All MAC addresses in the address table are associated with one or more ports. The address table includes these types of addresses:

- Dynamic address: a source MAC address that the switch learns and then ages when it is not in use.
- Static address: a manually entered unicast address that does not age and that is not lost when the switch resets.

The address table lists the destination MAC address, the associated VLAN ID, and port number associated with the address and the type (static or dynamic).



### Note

For complete syntax and usage information for the commands used in this section, see the command reference for this release.

These sections contain this configuration information:

- [Building the Address Table, page 5-20](#)
- [MAC Addresses and VLANs, page 5-20](#)
- [Default MAC Address Table Configuration, page 5-21](#)
- [Changing the Address Aging Time, page 5-21](#)
- [Removing Dynamic Address Entries, page 5-22](#)
- [Configuring MAC Address Change Notification Traps, page 5-22](#)
- [Configuring MAC Address Move Notification Traps, page 5-24](#)
- [Configuring MAC Threshold Notification Traps, page 5-26](#)
- [Adding and Removing Static Address Entries, page 5-27](#)
- [Configuring Unicast MAC Address Filtering, page 5-28](#)
- [Disabling MAC Address Learning on a VLAN, page 5-29](#)
- [Displaying Address Table Entries, page 5-31](#)

## Building the Address Table

With multiple MAC addresses supported on all ports, you can connect any port on the switch to individual workstations, repeaters, switches, routers, or other network devices. The switch provides dynamic addressing by learning the source address of packets it receives on each port and adding the address and its associated port number to the address table. As stations are added or removed from the network, the switch updates the address table, adding new dynamic addresses and aging out those that are not in use.

The aging interval is globally configured. However, the switch maintains an address table for each VLAN, and STP can accelerate the aging interval on a per-VLAN basis.

The switch sends packets between any combination of ports, based on the destination address of the received packet. Using the MAC address table, the switch forwards the packet only to the port associated with the destination address. If the destination address is on the port that sent the packet, the packet is filtered and not forwarded. The switch always uses the store-and-forward method: complete packets are stored and checked for errors before transmission.

## MAC Addresses and VLANs

All addresses are associated with a VLAN. An address can exist in more than one VLAN and have different destinations in each. Unicast addresses, for example, could be forwarded to port 1 in VLAN 1 and ports 1, 9, and 10 in VLAN 5.

Each VLAN maintains its own logical address table. A known address in one VLAN is unknown in another until it is learned or statically associated with a port in the other VLAN.

When private VLANs are configured, address learning depends on the type of MAC address:

- Dynamic MAC addresses learned in one VLAN of a private VLAN are replicated in the associated VLANs. For example, a MAC address learned in a private-VLAN secondary VLAN is replicated in the primary VLAN.

- Static MAC addresses configured in a primary or secondary VLAN are not replicated in the associated VLANs. When you configure a static MAC address in a private VLAN primary or secondary VLAN, you should also configure the same static MAC address in all associated VLANs.

For more information about private VLANs, see [Chapter 13, “Configuring Private VLANs.”](#)

You can disable MAC address learning on a per-VLAN basis. Customers in a service provider network can tunnel a large number of MAC addresses through the network and fill up the available MAC address table space. You can control MAC address learning on a VLAN and manage the MAC address table space that is available on the switch by controlling which VLANs, and therefore which ports, can learn MAC addresses.

Before you disable MAC address learning, be sure that you are familiar with the network topology and the switch system configuration. Disabling MAC address learning on a VLAN could cause flooding in the network. See the [“Disabling MAC Address Learning on a VLAN” section on page 5-29](#) for more information.

## Default MAC Address Table Configuration

[Table 5-3](#) shows the default MAC address table configuration.

**Table 5-3**      *Default MAC Address Table Configuration*

Feature	Default Setting
Aging time	300 seconds
Dynamic addresses	Automatically learned
Static addresses	None configured
MAC address learning on VLANs	Enabled

## Changing the Address Aging Time

Dynamic addresses are source MAC addresses that the switch learns and then ages when they are not in use. You can change the aging time setting for all VLANs or for a specified VLAN.

Setting too short an aging time can cause addresses to be prematurely removed from the table. Then when the switch receives a packet for an unknown destination, it floods the packet to all ports in the same VLAN as the receiving port. This unnecessary flooding can impact performance. Setting too long an aging time can cause the address table to be filled with unused addresses, which prevents new addresses from being learned. Flooding results, which can impact switch performance.

Beginning in privileged EXEC mode, follow these steps to configure the dynamic address table aging time:

	Command	Purpose
Step 1	<b>configure terminal</b>	Enter global configuration mode.
Step 2	<b>mac address-table aging-time</b> [0   10-1000000] [vlan <i>vlan-id</i> ]	Set the length of time that a dynamic entry remains in the MAC address table after the entry is used or updated.  The range is 10 to 1000000 seconds. The default is 300. You can also enter 0, which disables aging. Static address entries are never aged or removed from the table.  For <i>vlan-id</i> , valid IDs are 1 to 4094. Do not enter leading zeros.
Step 3	<b>end</b>	Return to privileged EXEC mode.
Step 4	<b>show mac address-table aging-time</b>	Verify your entries.
Step 5	<b>copy running-config startup-config</b>	(Optional) Save your entries in the configuration file.

To return to the default value, use the **no mac address-table aging-time** global configuration command.

## Removing Dynamic Address Entries

To remove all dynamic entries, use the **clear mac address-table dynamic** command in privileged EXEC mode. You can also remove a specific MAC address (**clear mac address-table dynamic address *mac-address***), remove all addresses on the specified physical port or port channel (**clear mac address-table dynamic interface *interface-id***), or remove all addresses on a specified VLAN (**clear mac address-table dynamic vlan *vlan-id***).

To verify that dynamic entries have been removed, use the **show mac address-table dynamic** privileged EXEC command.

## Configuring MAC Address Change Notification Traps

MAC address change notification tracks users on a network by storing the MAC address change activity. When the switch learns or removes a MAC address, an SNMP notification trap can be sent to the NMS. If you have many users coming and going from the network, you can set a trap-interval time to bundle the notification traps to reduce network traffic. The MAC notification history table stores MAC address activity for each port for which the trap is set. MAC address change notifications are generated for dynamic and secure MAC addresses. Notifications are not generated for self addresses, multicast addresses, or other static addresses.



Beginning in privileged EXEC mode, follow these steps to configure the switch to send MAC address change notification traps to an NMS host:

	Command	Purpose
Step 1	<b>configure terminal</b>	Enter global configuration mode.
Step 2	<b>snmp-server host</b> <i>host-addr</i> { <b>traps</b> / <b>informs</b> } { <b>version</b> { <b>1</b> / <b>2c</b> / <b>3</b> } } <i>community-string notification-type</i>	Specify the recipient of the trap message. <ul style="list-style-type: none"> <li>For <i>host-addr</i>, specify the name or address of the NMS.</li> <li>Specify <b>traps</b> (the default) to send SNMP traps to the host. Specify <b>informs</b> to send SNMP informs to the host.</li> <li>Specify the SNMP version to support. Version 1, the default, is not available with informs.</li> <li>For <i>community-string</i>, specify the string to send with the notification operation. Though you can set this string by using the <b>snmp-server host</b> command, we recommend that you define this string by using the <b>snmp-server community</b> command before using the <b>snmp-server host</b> command.</li> <li>For <i>notification-type</i>, use the <b>mac-notification</b> keyword.</li> </ul>
Step 3	<b>snmp-server enable traps mac-notification change</b>	Enable the switch to send MAC address change notification traps to the NMS.
Step 4	<b>mac address-table notification change</b>	Enable the MAC address change notification feature.
Step 5	<b>mac address-table notification change</b> [ <b>interval</b> <i>value</i> ] [ <b>history-size</b> <i>value</i> ]	Enter the trap interval time and the history table size. <ul style="list-style-type: none"> <li>(Optional) For <b>interval</b> <i>value</i>, specify the notification trap interval in seconds between each set of traps that are generated to the NMS. The range is 0 to 2147483647 seconds; the default is 1 second.</li> <li>(Optional) For <b>history-size</b> <i>value</i>, specify the maximum number of entries in the MAC notification history table. The range is 0 to 500; the default is 1.</li> </ul>
Step 6	<b>interface</b> <i>interface-id</i>	Enter interface configuration mode, and specify the Layer 2 interface on which to enable the SNMP MAC address notification trap.
Step 7	<b>snmp trap mac-notification change</b> { <b>added</b>   <b>removed</b> }	Enable the MAC address change notification trap on the interface. <ul style="list-style-type: none"> <li>Enable the trap when a MAC address is <b>added</b> on this interface.</li> <li>Enable the trap when a MAC address is <b>removed</b> from this interface.</li> </ul>
Step 8	<b>end</b>	Return to privileged EXEC mode.

	Command	Purpose
Step 9	<b>show mac address-table notification change interface</b> <b>show running-config</b>	Verify your entries.
Step 10	<b>copy running-config startup-config</b>	(Optional) Save your entries in the configuration file.

To disable MAC address-change notification traps, use the **no snmp-server enable traps mac-notification change** global configuration command. To disable the MAC address-change notification traps on a specific interface, use the **no snmp trap mac-notification change {added | removed}** interface configuration command. To disable the MAC address-change notification feature, use the **no mac address-table notification change** global configuration command.

This example shows how to specify 172.20.10.10 as the NMS, enable the switch to send MAC address notification traps to the NMS, enable the MAC address-change notification feature, set the interval time to 123 seconds, set the history-size to 100 entries, and enable traps whenever a MAC address is added on the specified port.

```
Switch(config)# snmp-server host 172.20.10.10 traps private mac-notification
Switch(config)# snmp-server enable traps mac-notification change
Switch(config)# mac address-table notification change
Switch(config)# mac address-table notification change interval 123
Switch(config)# mac address-table notification change history-size 100
Switch(config)# interface gigabitethernet0/2
Switch(config-if)# snmp trap mac-notification change added
```

You can verify your settings by entering the **show mac address-table notification change interface** and the **show mac address-table notification change** privileged EXEC commands.

## Configuring MAC Address Move Notification Traps

When you configure MAC-move notification, an SNMP notification is generated and sent to the network management system whenever a MAC address moves from one port to another within the same VLAN.

Beginning in privileged EXEC mode, follow these steps to configure the switch to send MAC address-move notification traps to an NMS host:

	Command	Purpose
Step 1	<b>configure terminal</b>	Enter global configuration mode.
Step 2	<b>snmp-server host</b> <i>host-addr</i> { <b>traps</b> / <b>informs</b> } { <b>version</b> { <b>1</b> / <b>2c</b> / <b>3</b> }} <i>community-string notification-type</i>	Specify the recipient of the trap message. <ul style="list-style-type: none"> <li>For <i>host-addr</i>, specify the name or address of the NMS.</li> <li>Specify <b>traps</b> (the default) to send SNMP traps to the host. Specify <b>informs</b> to send SNMP informs to the host.</li> <li>Specify the SNMP version to support. Version 1, the default, is not available with informs.</li> <li>For <i>community-string</i>, specify the string to send with the notification operation. Though you can set this string by using the <b>snmp-server host</b> command, we recommend that you define this string by using the <b>snmp-server community</b> command before using the <b>snmp-server host</b> command.</li> <li>For <i>notification-type</i>, use the <b>mac-notification</b> keyword.</li> </ul>
Step 3	<b>snmp-server enable traps mac-notification move</b>	Enable the switch to send MAC address move notification traps to the NMS.
Step 4	<b>mac address-table notification mac-move</b>	Enable the MAC address move notification feature.
Step 5	<b>end</b>	Return to privileged EXEC mode.
Step 6	<b>show mac address-table notification mac-move</b> <b>show running-config</b>	Verify your entries.
Step 7	<b>copy running-config startup-config</b>	(Optional) Save your entries in the configuration file.

To disable MAC address-move notification traps, use the **no snmp-server enable traps mac-notification move** global configuration command. To disable the MAC address-move notification feature, use the **no mac address-table notification mac-move** global configuration command.

This example shows how to specify 172.20.10.10 as the NMS, enable the switch to send MAC address move notification traps to the NMS, enable the MAC address move notification feature, and enable traps when a MAC address moves from one port to another.

```
Switch(config)# snmp-server host 172.20.10.10 traps private mac-notification
Switch(config)# snmp-server enable traps mac-notification move
Switch(config)# mac address-table notification mac-move
```

You can verify your settings by entering the **show mac address-table notification mac-move** privileged EXEC commands.

## Configuring MAC Threshold Notification Traps

When you configure MAC threshold notification, an SNMP notification is generated and sent to the network management system when a MAC address table threshold limit is reached or exceeded.

Beginning in privileged EXEC mode, follow these steps to configure the switch to send MAC address table threshold notification traps to an NMS host:

	Command	Purpose
Step 1	<b>configure terminal</b>	Enter global configuration mode.
Step 2	<b>snmp-server host</b> <i>host-addr</i> { <b>traps</b> / <b>informs</b> } { <b>version</b> { <b>1</b> / <b>2c</b> / <b>3</b> }} <i>community-string</i> <i>notification-type</i>	Specify the recipient of the trap message. <ul style="list-style-type: none"> <li>For <i>host-addr</i>, specify the name or address of the NMS.</li> <li>Specify <b>traps</b> (the default) to send SNMP traps to the host. Specify <b>informs</b> to send SNMP informs to the host.</li> <li>Specify the SNMP version to support. Version 1, the default, is not available with informs.</li> <li>For <i>community-string</i>, specify the string to send with the notification operation. Though you can set this string by using the <b>snmp-server host</b> command, we recommend that you define this string by using the <b>snmp-server community</b> command before using the <b>snmp-server host</b> command.</li> <li>For <i>notification-type</i>, use the <b>mac-notification</b> keyword.</li> </ul>
Step 3	<b>snmp-server enable traps mac-notification threshold</b>	Enable the switch to send MAC threshold notification traps to the NMS.
Step 4	<b>mac address-table notification threshold</b>	Enable the MAC address threshold notification feature.
Step 5	<b>mac address-table notification threshold</b> [ <b>limit</b> <i>percentage</i> ]   [ <b>interval</b> <i>time</i> ]	Enter the threshold value for the MAC address threshold usage monitoring. <ul style="list-style-type: none"> <li>(Optional) For limit percentage, specify the percentage of the MAC address table use; valid values are from 1 to 100 percent. The default is 50 percent.</li> <li>(Optional) For interval time, specify the time between notifications; valid values are greater than or equal to 120 seconds. The default is 120 seconds.</li> </ul>
Step 6	<b>end</b>	Return to privileged EXEC mode.
Step 7	<b>show mac address-table notification threshold</b> <b>show running-config</b>	Verify your entries.
Step 8	<b>copy running-config startup-config</b>	(Optional) Save your entries in the configuration file.

To disable MAC address-threshold notification traps, use the **no snmp-server enable traps mac-notification threshold** global configuration command. To disable the MAC address-threshold notification feature, use the **no mac address-table notification threshold** global configuration command.

This example shows how to specify 172.20.10.10 as the NMS, enable the MAC address threshold notification feature, set the interval time to 123 seconds, and set the limit to 78 per cent.

```
Switch(config)# snmp-server host 172.20.10.10 traps private mac-notification
Switch(config)# snmp-server enable traps mac-notification threshold
Switch(config)# mac address-table notification threshold
Switch(config)# mac address-table notification threshold interval 123
Switch(config)# mac address-table notification threshold limit 78
```

You can verify your settings by entering the **show mac address-table notification threshold** privileged EXEC commands.

## Adding and Removing Static Address Entries

A static address has these characteristics:

- It is manually entered in the address table and must be manually removed.
- It can be a unicast or multicast address.
- It does not age and is retained when the switch restarts.

You can add and remove static addresses and define the forwarding behavior for them. The forwarding behavior defines how a port that receives a packet forwards it to another port for transmission. Because all ports are associated with at least one VLAN, the switch acquires the VLAN ID for the address from the ports that you specify. You can specify a different list of destination ports for each source port.

A packet with a static address that arrives on a VLAN where it has not been statically entered is flooded to all ports and not learned.

You add a static address to the address table by specifying the destination MAC unicast address and the VLAN from which it is received. Packets received with this destination address are forwarded to the interface specified with the *interface-id* option.

When you configure a static MAC address in a private-VLAN primary or secondary VLAN, you should also configure the same static MAC address in all associated VLANs. Static MAC addresses configured in a private-VLAN primary or secondary VLAN are not replicated in the associated VLAN. For more information about private VLANs, see [Chapter 13, “Configuring Private VLANs.”](#)

Beginning in privileged EXEC mode, follow these steps to add a static address:

	Command	Purpose
Step 1	<b>configure terminal</b>	Enter global configuration mode.
Step 2	<b>mac address-table static</b> <i>mac-addr</i> <b>vlan</b> <i>vlan-id</i> <b>interface</b> <i>interface-id</i>	Add a static address to the MAC address table. <ul style="list-style-type: none"> <li>For <i>mac-addr</i>, specify the destination MAC unicast address to add to the address table. Packets with this destination address received in the specified VLAN are forwarded to the specified interface.</li> <li>For <i>vlan-id</i>, specify the VLAN for which the packet with the specified MAC address is received. Valid VLAN IDs are 1 to 4094; do not enter leading zeros.</li> <li>For <i>interface-id</i>, specify the interface to which the received packet is forwarded. Valid interfaces include physical ports or port channels. For static multicast addresses, you can enter multiple interface IDs. For static unicast addresses, you can enter only one interface at a time, but you can enter the command multiple times with the same MAC address and VLAN ID.</li> </ul>
Step 3	<b>end</b>	Return to privileged EXEC mode.
Step 4	<b>show mac address-table static</b>	Verify your entries.
Step 5	<b>copy running-config startup-config</b>	(Optional) Save your entries in the configuration file.

To remove static entries from the address table, use the **no mac address-table static** *mac-addr* **vlan** *vlan-id* [**interface** *interface-id*] global configuration command.

This example shows how to add the static address c2f3.220a.12f4 to the MAC address table. When a packet is received in VLAN 4 with this MAC address as its destination address, the packet is forwarded to the specified port:

```
Switch(config)# mac address-table static c2f3.220a.12f4 vlan 4 interface
gigabitethernet0/1
```

## Configuring Unicast MAC Address Filtering

When unicast MAC address filtering is enabled, the switch drops packets with specific source or destination MAC addresses. This feature is disabled by default and only supports unicast static addresses.

Follow these guidelines when using this feature:

- Multicast MAC addresses, broadcast MAC addresses, and router MAC addresses are not supported. If you specify one of these addresses when entering the **mac address-table static** *mac-addr* **vlan** *vlan-id* **drop** global configuration command, one of these messages appears:

```
% Only unicast addresses can be configured to be dropped
% CPU destined address cannot be configured as drop address
```
- Packets that are forwarded to the CPU are also not supported.

- If you add a unicast MAC address as a static address and configure unicast MAC address filtering, the switch either adds the MAC address as a static address or drops packets with that MAC address, depending on which command was entered last. The second command that you entered overrides the first command.

For example, if you enter the **mac address-table static *mac-addr* vlan *vlan-id* interface *interface-id*** global configuration command followed by the **mac address-table static *mac-addr* vlan *vlan-id* drop** command, the switch drops packets with the specified MAC address as a source or destination.

If you enter the **mac address-table static *mac-addr* vlan *vlan-id* drop** global configuration command followed by the **mac address-table static *mac-addr* vlan *vlan-id* interface *interface-id*** command, the switch adds the MAC address as a static address.

You enable unicast MAC address filtering and configure the switch to drop packets with a specific address by specifying the source or destination unicast MAC address and the VLAN from which it is received.

Beginning in privileged EXEC mode, follow these steps to configure the switch to drop a source or destination unicast static address:

	Command	Purpose
Step 1	<b>configure terminal</b>	Enter global configuration mode.
Step 2	<b>mac address-table static <i>mac-addr</i> vlan <i>vlan-id</i> drop</b>	Enable unicast MAC address filtering and configure the switch to drop a packet with the specified source or destination unicast static address. <ul style="list-style-type: none"> <li>• For <i>mac-addr</i>, specify a source or destination unicast MAC address. Packets with this MAC address are dropped.</li> <li>• For <i>vlan-id</i>, specify the VLAN for which the packet with the specified MAC address is received. Valid VLAN IDs are 1 to 4094.</li> </ul>
Step 3	<b>end</b>	Return to privileged EXEC mode.
Step 4	<b>show mac address-table static</b>	Verify your entries.
Step 5	<b>copy running-config startup-config</b>	(Optional) Save your entries in the configuration file.

To disable unicast MAC address filtering, use the **no mac address-table static *mac-addr* vlan *vlan-id*** global configuration command.

This example shows how to enable unicast MAC address filtering and to configure the switch to drop packets that have a source or destination address of c2f3.220a.12f4. When a packet is received in VLAN 4 with this MAC address as its source or destination, the packet is dropped:

```
Switch(config)# mac address-table static c2f3.220a.12f4 vlan 4 drop
```

## Disabling MAC Address Learning on a VLAN

By default, MAC address learning is enabled on all VLANs on the switch. You can control MAC address learning on a VLAN to manage the available MAC address table space by controlling which VLANs, and therefore which ports, can learn MAC addresses. Before you disable MAC address learning be sure that you are familiar with the network topology and the switch system configuration. Disabling MAC address learning on a VLAN could cause flooding in the network.

Follow these guidelines when disabling MAC address learning on a VLAN:

- Use caution before disabling MAC address learning on a VLAN with a configured switch virtual interface (SVI). The switch then floods all IP packets in the Layer 2 domain.
- You can disable MAC address learning on a single VLAN ID from 1 to 4094 (for example, **no mac address-table learning vlan 223**) or a range of VLAN IDs, separated by a hyphen or comma (for example, **no mac address-table learning vlan 1-10, 15**).
- We recommend that you disable MAC address learning only in VLANs with two ports. If you disable MAC address learning on a VLAN with more than two ports, every packet entering the switch is flooded in that VLAN domain.
- You cannot disable MAC address learning on a VLAN that is used internally by the switch. If the VLAN ID that you enter is an internal VLAN, the switch generates an error message and rejects the command. To view internal VLANs in use, enter the **show vlan internal usage** privileged EXEC command.
- If you disable MAC address learning on a VLAN configured as a private-VLAN primary VLAN, MAC addresses are still learned on the secondary VLAN that belongs to the private VLAN and are then replicated on the primary VLAN. If you disable MAC address learning on the secondary VLAN, but not the primary VLAN of a private VLAN, MAC address learning occurs on the primary VLAN and is replicated on the secondary VLAN.
- You cannot disable MAC address learning on an RSPAN VLAN. The configuration is not allowed.
- If you disable MAC address learning on a VLAN that includes a secure port, MAC address learning is not disabled on that port. If you disable port security, the configured MAC address learning state is enabled.

Beginning in privileged EXEC mode, follow these steps to disable MAC address learning on a VLAN:

	Command	Purpose
Step 1	<b>configure terminal</b>	Enter global configuration mode.
Step 2	<b>no mac address-table learning vlan</b> <i>vlan-id</i>	Disable MAC address learning on the specified VLAN or VLANs. You can specify a single VLAN ID or a range of VLAN IDs separated by a hyphen or comma. Valid VLAN IDs 1 to 4094. It cannot be an internal VLAN.
Step 3	<b>end</b>	Return to privileged EXEC mode.
Step 4	<b>show mac address-table learning [vlan</b> <i>vlan-id]</i>	Verify the configuration.
Step 5	<b>copy running-config startup-config</b>	(Optional) Save your entries in the configuration file.

To reenable MAC address learning on a VLAN, use the **default mac address-table learning vlan** *vlan-id* global configuration command. You can also reenable MAC address learning on a VLAN by entering the **mac address-table learning vlan** *vlan-id* global configuration command. The first (**default**) command returns to a default condition and therefore does not appear in the output from the **show running-config** command. The second command causes the configuration to appear in the **show running-config** privileged EXEC command display.

This example shows how to disable MAC address learning on VLAN 200:

```
Switch(config)# no mac address-table learning vlan 200
```

You can display the MAC address learning status of all VLANs or a specified VLAN by entering the **show mac-address-table learning [vlan** *vlan-id]* privileged EXEC command.



## Displaying Address Table Entries

You can display the MAC address table by using one or more of the privileged EXEC commands described in [Table 5-4](#):

**Table 5-4** Commands for Displaying the MAC Address Table

Command	Description
<code>show ip igmp snooping groups</code>	Displays the Layer 2 multicast entries for all VLANs or the specified VLAN.
<code>show mac address-table address</code>	Displays MAC address table information for the specified MAC address.
<code>show mac address-table aging-time</code>	Displays the aging time in all VLANs or the specified VLAN.
<code>show mac address-table count</code>	Displays the number of addresses present in all VLANs or the specified VLAN.
<code>show mac address-table dynamic</code>	Displays only dynamic MAC address table entries.
<code>show mac address-table interface</code>	Displays the MAC address table information for the specified interface.
<code>show mac address-table learning</code>	Displays MAC address learning status of all VLANs or the specified VLAN.
<code>show mac address-table notification</code>	Displays the MAC notification parameters and history table.
<code>show mac address-table static</code>	Displays only static MAC address table entries.
<code>show mac address-table vlan</code>	Displays the MAC address table information for the specified VLAN.

## Managing the ARP Table

To communicate with a device (over Ethernet, for example), the software first must learn the 48-bit MAC address or the local data link address of that device. The process of learning the local data link address from an IP address is called *address resolution*.

The Address Resolution Protocol (ARP) associates a host IP address with the corresponding media or MAC addresses and the VLAN ID. Using an IP address, ARP finds the associated MAC address. When a MAC address is found, the IP-MAC address association is stored in an ARP cache for rapid retrieval. Then the IP datagram is encapsulated in a link-layer frame and sent over the network. Encapsulation of IP datagrams and ARP requests and replies on IEEE 802 networks other than Ethernet is specified by the Subnetwork Access Protocol (SNAP). By default, standard Ethernet-style ARP encapsulation (represented by the **arpa** keyword) is enabled on the IP interface.

ARP entries added manually to the table do not age and must be manually removed.

For CLI procedures, see the Cisco IOS Release 12.2 documentation on Cisco.com.





# CHAPTER 6

## Configuring the Switch Alarms

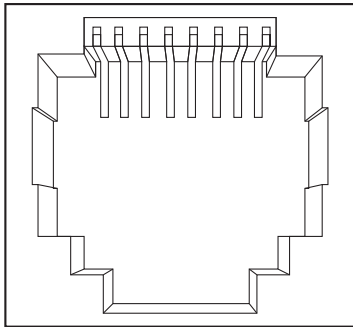
On the ME 3400E switch, you can configure external alarm inputs, as well as alarms to identify a missing or malfunctioning power supply or a power supply with no input.

- [Configuring External Alarms, page 6-1](#)
- [Configuring Power Supply Alarms, page 6-3](#)

## Configuring External Alarms

You can connect up to four alarm inputs from external devices in your environment, such as a door, a temperature gauge, or a fire alarm, to the alarm input port on the switch front panel. [Figure 6-1](#) shows the location of the alarm pinouts.

**Figure 6-1** Alarm Input Port Pinouts

Pin	Alarm connection	1 2 3 4 5 6 7 8
1	Alarm 1 input	
2	Alarm 2 input	
3	no connection	
4	Alarm 3 input	
5	Alarm 4 input	
6	no connection	
7	no connection	
8	Alarm common	

For each alarm input, you can configure an open or closed circuit to trigger an alarm and configure the severity of the alarm. A triggered alarm generates a system message. If you enter a descriptive name for the alarm, that name is included in the system message. A triggered alarm also turns on the LED display (the LED is normally off, meaning no alarm). See the *Cisco ME-3400E Hardware Installation Guide* for information about the LEDs.

The alarm trigger setting is **open** or **closed**. If not set, the alarm is triggered when the circuit closes.

- Open means that the normal condition has current flowing through the contact (normally closed contact). The alarm is generated when the current stops flowing.
- Closed means that no current flows through the contact (normally open contact). The alarm is generated when current does flow.

You can set the alarm severity to **minor**, **major**, or **critical**. The severity is included in the alarm message and also sets the LED color when the alarm is triggered. The LED is amber for a minor alarm, red for a major alarm, and blinking red for a critical alarm. If not set, the default alarm severity is **minor**.

Beginning in privileged EXEC mode, follow these steps to configure alarm contacts.

	Command	Purpose
Step 1	<b>configure terminal</b>	Enter global configuration mode.
Step 2	<b>alarm-contact</b> <i>contact-number</i> <b>description</b> <i>string</i>	(Optional) Configure a description for the alarm contact number. <ul style="list-style-type: none"> <li>• The <i>contact-number</i> can be from 1 to 4.</li> <li>• The description string can be up to 80 alphanumeric characters in length and is included in any generated system messages.</li> </ul>
Step 3	<b>alarm-contact</b> { <i>contact-number</i> / <b>all</b> } { <b>severity</b> { <b>critical</b> / <b>major</b> / <b>minor</b> }   <b>trigger</b> { <b>closed</b> / <b>open</b> }	Configure the trigger and severity for an alarm contact number or for all contact numbers. <ul style="list-style-type: none"> <li>• Enter a contact number (1 to 4) or specify that you are configuring <b>all</b> alarms. See <a href="#">Figure 6-1</a> for the alarm contact pinouts.</li> <li>• For <b>severity</b>, enter <b>critical</b>, <b>major</b>, or <b>minor</b>. If you do not configure a severity, the default is <b>minor</b>.</li> <li>• For <b>trigger</b>, enter <b>open</b> or <b>closed</b>. If you do not configure a trigger, the alarm is triggered when the circuit is <b>closed</b>.</li> </ul>
Step 4	<b>end</b>	Return to privileged EXEC mode.
Step 5	<b>show env alarm-contact</b>	Show the configured alarm contacts.
Step 6	<b>copy running-config startup-config</b>	(Optional) Save your entries in the configuration file.

To delete the alarm description, enter the **no alarm-contact** *contact-number* **description** privileged EXEC command. To set the alarm severity to **minor** (the default), enter the **no alarm-contact** { *contact-number* / **all** } **severity**. To set the alarm contact trigger to **closed** (the default), enter the **no alarm-contact** { *contact-number* / **all** } **trigger**.

To see the alarm configuration and status, enter the **show env alarm-contact** privileged EXEC command.

For more detailed information about the alarm commands, see the command reference for this release.



#### Note

The switch supports the CISCO-ENTITY-ALARM-MIB for these alarms.

This example configures alarm input 2 named *door sensor* to assert a major alarm when the door circuit is closed and then displays the status and configuration for all alarms:

```
Switch(config)# alarm-contact 2 description door sensor
Switch(config)# alarm-contact 2 severity major
Switch(config)# alarm-contact 2 trigger closed
Switch(config)# end
Switch(config)# show env alarm-contact
Switch# show env alarm-contact
ALARM CONTACT 1
  Status:      not asserted
  Description: test_1
  Severity:    critical
  Trigger:     open
ALARM CONTACT 2
  Status:      not asserted
  Description: door sensor
  Severity:    major
  Trigger:     closed
ALARM CONTACT 3
  Status:      not asserted
  Description: flood sensor
  Severity:    critical
  Trigger:     closed
ALARM CONTACT 4
  Status:      not asserted
  Description:
  Severity:    critical
  Trigger:     closed
```

## Configuring Power Supply Alarms

Some switch models have two power supply slots that contain either AC- or DC- power supplies. The status and type of power supplied to each slot is shown by the switch LEDs. AC power supplies have corresponding AC-power inputs (AC 1 and AC 2), and DC-power supplies have two DC inputs (DC A and DC B).

The default power supply configuration is to have one power supply installed in slot 1 and the software configured for **no power-supply dual**. This suppresses any alarms triggered by not having two power supplies installed. When the switch is operating with two power supplies, we recommend you enter the **power-supply dual** global configuration command to trigger an alarm when one is missing or inoperable.

If you are using DC-power supplies, the most common practice is to have both DC inputs connected.



### Note

---

The Cisco ME 3400EG-2CS-A switch does not support removable power supplies.

---

When the switch detects a power supply fault, it triggers an LED indicator and sends a system message. Power-supply alarm indications are sent when a power supply is missing, has no input, has insufficient output, or has a malfunctioning fan. Some of these alarm conditions are configurable.

## Power-Supply-Missing Alarms

If you are operating the switch with a single power supply (AC or DC), you can suppress any alarm conditions associated with a missing power supply. Entering the **no power-supply dual** global configuration command (the default) specifies that only one power supply is expected to be present. Then the switch does not generate an alarm that a power supply is missing.

The **no power-supply dual** command controls only the sending of messages about the absence of a second power supply or the absence of input to the second power supply. The software detects whether a power supply is present and if there is an input voltage. When there is input, the software can detect if there is output voltage and if the fan is operating. These are possible conditions and results when only one power supply is expected:

- If only one power supply is present, no alarm is sent. However, if this power supply is connected to the AC input and is not receiving or sending power, a power supply fault message is sent.
- If two power supplies are present, and both are receiving and sending power, no message is sent.
- If two power supplies are present, and one is connected and operating and the other is not connected to the AC input, no message is sent.
- If two power supplies are present and both are connected to AC inputs, but only one is receiving or sending power, a power supply fault message is sent.



### Note

The switch always sends an error message when an AC-power supply connected to an AC input is not receiving or outputting power.

If you operate the switch with two power supplies, enter the **power-supply dual** global configuration command to configure the switch to send a message when one power supply is missing.

## DC-Power-Supply Feed Alarms

The two DC-power supply inputs are bridged internally and fed to both power supply slots. When one or two DC-power supplies are installed, if the switch does not detect both DC inputs, it generates an LED alarm and a system message. If you want to use only one DC input, you can enter the **no power-supply dual dc-feed** global configuration command to disable sending alarm messages when the second DC input is not present. This command is valid only when DC-power supplies are installed in the switch.

Regardless of how this command is configured, if the expected DC-power inputs (one or two) are present and a problem is detected in the power supply, a faulty power-supply message is generated.

Beginning in privileged EXEC mode, follow these steps to configure power supply alarm messages.

	Command	Purpose
Step 1	<b>configure terminal</b>	Enter global configuration mode.
Step 2	<b>[no] power-supply dual</b>	Specify if an alarm is generated when only one power supply is installed in the switch. <ul style="list-style-type: none"> <li>• Enter <b>no power-supply dual</b> to suppress alarm indications for a missing power supply. This is the default.</li> <li>• Enter <b>power-supply dual</b> to enable alarm indications for both power supplies.</li> </ul>

	Command	Purpose
Step 3	<b>[no] power-supply dual dc-feed</b>	Specify if an alarm is generated when only DC power supply is installed and only one DC power input is present. <ul style="list-style-type: none"> <li>• Enter <b>no power-supply dual dc-feed</b> to suppress alarm indications for a missing DC power supply input.</li> <li>• Enter <b>power-supply dual dc-feed</b> to enable alarm indications when a single DC power supply input is present. This is the default.</li> </ul>
Step 4	<b>end</b>	Return to privileged EXEC mode.
Step 5	<b>show env power</b>	Show the configured power supply alarm indications.
Step 6	<b>copy running-config startup-config</b>	(Optional) Save your entries in the configuration file.

You can verify switch power supply settings by entering the **show env power** user EXEC command.

For more information about the commands, see the command reference for this release.

This example shows how to suppress alarm indications when a single power supply is present and to verify the configuration:

```
Switch(config)# no power-supply dual
Switch(config)# end
Switch# show env power
POWER SUPPLY 1 is AC OK
  AC Input   : OK
  Output    : OK
  Fan       : OK
POWER SUPPLY 2 is NOT PRESENT
```







# CHAPTER 7

## Configuring SDM Templates

---

This chapter describes how to configure the Switch Database Management (SDM) templates on the Cisco ME 3400E Ethernet Access switch. SDM template configuration is supported only when the switch is running the metro IP access image.



**Note**

---

For complete syntax and usage information for the commands used in this chapter, see the command reference for this release.

---

- [Understanding the SDM Templates, page 7-1](#)
- [Configuring the Switch SDM Template, page 7-3](#)
- [Displaying the SDM Templates, page 7-5](#)

## Understanding the SDM Templates

If the switch is running the metro IP access image, you can use SDM templates to optimize system resources in the switch to support specific features, depending on how the switch is used in the network. The SDM templates allocate TCAM resources to support different features. You can use the SDM templates for IP Version 4 (IPv4) and select the default template to balance system resources or select the layer-2 template to support only Layer 2 features in hardware.



**Note**

---

Switches running the metro access image support only the layer-2 template

---

- **Layer-2**—The layer-2 template maximizes system resources for Layer 2 functionality and does not support routing. You should use this template when the switch is being used for Layer-2 forwarding. When you select the layer-2 template on a switch running the metro IP access image, any routing is done through software, which overloads the CPU and severely degrades routing performance.
- **Default**—The default template gives balance to all functions: Layer 2 and Layer 3 (routing). This template is available only on switches running the metro IP access image. If you do not use the default template when routing is enabled on the switch, any routing is done through software, which overloads the CPU and severely degrades routing performance.

The dual IPv4 and IPv6 templates also enable a dual stack environment. See the [“Dual IPv4 and IPv6 SDM Templates”](#) section on page 7-2.

Table 7-1 shows the approximate number of each resource supported in each of the two IPv4 templates for a switch running the metro IP access image. The values in the template are based on eight routed interfaces and approximately 1024 VLANs and represent the approximate hardware boundaries set when a template is selected. If a section of a hardware resource is full, all processing overflow is sent to the CPU, seriously impacting switch performance.

**Table 7-1** Approximate Number of Feature Resources Allowed by Each Template

Resource	Layer-2	Default
Unicast MAC addresses	8 K	5 K
IPv4 IGMP groups + multicast routes (default only)	–	1 K
IP v4 IGMP groups (layer-2 only)	1 K	–
IPv4 multicast routes (layer-2 only)	0	–
IPv4 IGMP groups and multicast routes	1 K	–
IPv4 unicast routes	0	9 K
• Directly connected IPv4 hosts	–	5 K
• Indirect IPv4 routes	–	4 K
IPv4 policy-based routing ACEs <sup>1</sup>	0	0.5 K
IPv4 or MAC QoS <sup>2</sup> ACEs	0.5 K	0.5 K
IPv4 or MAC security ACEs	1 K	1 K

1. ACEs = Access control entries.

2. QoS = Quality of service.

## Dual IPv4 and IPv6 SDM Templates

You can select SDM templates to support IP Version 6 (IPv6). For more information about IPv6 and how to configure IPv6 routing, see [Chapter 37, “Configuring IPv6 Unicast Routing.”](#) For information about configuring IPv6 ACLs, see [Chapter 39, “Configuring IPv6 ACLs.”](#)

This software release does not support Policy-Based Routing (PBR) when forwarding IPv6 traffic. The software supports IPv4 PBR only when the **dual-ipv4-and-ipv6 routing** template is configured.

The dual IPv4 and IPv6 templates allow the switch to be used in dual stack environments (supporting both IPv4 and IPv6). Using the dual stack templates results in less TCAM capacity allowed for each resource. Do not use them if you plan to forward only IPv4 traffic.

These SDM templates support IPv4 and IPv6 environments:

- Dual IPv4 and IPv6 default template—supports Layer 2, multicast, routing, QoS, and ACLs for IPv4; and Layer 2, routing, and ACLs for IPv6 on the switch.
- Dual IPv4 and IPv6 routing template—supports Layer 2, multicast, routing (including policy-based routing), QoS, and ACLs for IPv4; and Layer 2, routing, and ACLs for IPv6 on the switch.
- Dual IPv4 and IPv6 VLAN template—supports basic Layer 2, multicast, QoS, and ACLs for IPv4, and basic Layer 2 and ACLs for IPv6 on the switch

This software release does not support IPv6 multicast routing, IPv6 QoS, or IPv6 Multicast Listener Discovery (MLD) snooping.

**Note**

An IPv4 route requires only one TCAM entry. Because of the hardware compression scheme used for IPv6, an IPv6 route can take more than one TCAM entry, reducing the number of entries forwarded in hardware.

[Table 7-2](#) defines the approximate feature resources allocated by each dual template. Template estimations are based on a switch with 8 routed interfaces and approximately 1000 VLANs.

**Table 7-2** *Approximate Feature Resources Allowed by Dual IPv4-IPv6 Templates*

Resource	IPv4-and-IPv6 Default	IPv4-and-IPv6 Routing	IPv4-and-IPv6 VLAN
Unicast MAC addresses	2 K	1.5 K	8 K
IPv4 IGMP groups and multicast routes	1 K	1K	1 K
Total IPv4 unicast routes:	3 K	2.75 K	0
• Directly connected IPv4 hosts	2 K	1.5 K	0
• Indirect IPv4 routes	1 K	1.25 K	0
IPv6 multicast groups	1 K	1 K	1 K
Total IPv6 unicast routes:	3 K	2.75 K	0
• Directly connected IPv6 addresses	2 K	1.5 K	0
• Indirect IPv6 unicast routes	1 K	1.25 K	0
IPv4 policy-based routing ACEs	0	0.25 K	0
IPv4 or MAC QoS ACEs (total)	0.75 K	0.75 K	0.75 K
IPv4 or MAC security ACEs (total)	1 K	0.5 K	1K
IPv6 policy-based routing ACEs <sup>1</sup>	0	0.25 K	0
IPv6 QoS ACEs	0.5 K	0.5 K	0.5 K
IPv6 security ACEs	0.5 K	0.5 K	0.5 K

1. IPv6 policy-based routing is not supported.

## Configuring the Switch SDM Template

- [Default SDM Template, page 7-3](#)
- [SDM Template Configuration Guidelines, page 7-4](#)
- [Setting the SDM Template, page 7-4](#)

### Default SDM Template

The default template for a switch running the metro IP access image is the default template.

The default (and only) template supported on switches running the metro access image is the layer-2 template.

## SDM Template Configuration Guidelines

Follow these guidelines when selecting and configuring SDM templates:

- You must reload the switch for the configuration to take effect.
- If you are using the switch for Layer 2 features only, select the layer-2 template.
- Do not use the default template if you do not have routing enabled on your switch. The **sdm prefer default** global configuration command prevents other features from using the memory allocated to unicast routing in the routing template.
- You should use the default template when you plan to enable routing on the switch. If you do not use the default template when routing is enabled, routing is done through software, which overloads the CPU and severely degrades routing performance.
- If you try to configure IPv6 features without first selecting a dual IPv4 and IPv6 template, a warning message is generated.
- Using the dual-stack templates results in less TCAM capacity allowed for each resource, so do not use if you plan to forward only IPv4 traffic.

## Setting the SDM Template

Beginning in privileged EXEC mode, follow these steps to use the SDM template to select a template on a switch running the metro IP access image:

	Command	Purpose
Step 1	<b>configure terminal</b>	Enter global configuration mode.
Step 2	<b>sdm prefer { default   dual-ipv4-and-ipv6 { default   routing   vlan }   layer-2 }</b>	Specify the SDM template to be used on the switch: The keywords have these meanings: <ul style="list-style-type: none"> <li>• <b>default</b>—Balance all functions.</li> <li>• <b>dual-ipv4-and-ipv6</b>—Select a template that supports both IPv4 and IPv6 routing.               <ul style="list-style-type: none"> <li>– <b>default</b>—Balance IPv4 and IPv6 Layer 2 and Layer 3 functionality.</li> <li>– <b>routing</b>—Provide maximum usage for IPv4 and IPv6 routing, including IPv4 policy-based routing.</li> <li>– <b>vlan</b>—Provide maximum usage for IPv4 and IPv6 VLANs.</li> </ul> </li> <li>• <b>layer-2</b>—Support Layer 2 functionality and do not support routing on the switch.</li> </ul>
Step 3	<b>end</b>	Return to privileged EXEC mode.
Step 4	<b>reload</b>	Reload the operating system.

After the system reboots, you can use the **show sdm prefer** privileged EXEC command to verify the new template configuration. If you enter the **show sdm prefer** command before you enter the **reload** privileged EXEC command, the **show sdm prefer** command shows the template currently in use and the template that will become active after a reload.

This is an example of an output display when you have changed the template to the layer-2 template and have not reloaded the switch:

```
Switch# show sdm prefer
The current template is "default" template.
The selected template optimizes the resources in
the switch to support this level of features for
8 routed interfaces and 1024 VLANs.

number of unicast mac addresses:          5K
number of IPv4 IGMP groups + multicast routes: 1K
number of IPv4 unicast routes:           9K
  number of directly-connected IPv4 hosts: 5K
  number of indirect IPv4 routes:         4K
number of IPv4 policy based routing aces: 0.5K
number of IPv4/MAC qos aces:              0.5K
number of IPv4/MAC security aces:         1K
On next reload, template will be "layer-2" template.
```

To return to the default template, use the **no sdm prefer** global configuration command.

This example shows how to configure a switch with the layer-2 template.

```
Switch(config)# sdm prefer layer-2
Switch(config)# end
Switch# reload
Proceed with reload? [confirm]
```

## Displaying the SDM Templates

Use the **show sdm prefer** privileged EXEC command with no parameters to display the active template. Use the **show sdm prefer [default | dual-ipv4-and-ipv6 { default | routing | vlan } | layer-2]** privileged EXEC command to display the resource numbers supported by the specified template.

This is an example of output from the **show sdm prefer** command, displaying the template in use:

```
Switch# show sdm prefer
The current template is "default" template.
The selected template optimizes the resources in
the switch to support this level of features for
8 routed interfaces and 1024 VLANs.

number of unicast mac addresses:          5K
number of IPv4 IGMP groups + multicast routes: 1K
number of IPv4 unicast routes:           9K
  number of directly-connected IPv4 hosts: 5K
  number of indirect IPv4 routes:         4K
number of IPv4 policy based routing aces: 0.5K
number of IPv4/MAC qos aces:              0.5K
number of IPv4/MAC security aces:         1K
```

This is an example of output from the **show sdm prefer layer-2** command:

```
Switch# show sdm prefer layer-2
"layer-2" template:
The selected template optimizes the resources in
the switch to support this level of features for
8 routed interfaces and 1024 VLANs.

number of unicast mac addresses:          8K
number of IPv4 IGMP groups:              1K
number of IPv4 multicast routes:         0
number of IPv4 unicast routes:           0
number of IPv4 policy based routing aces: 0
number of IPv4/MAC qos aces:             0.5K
number of IPv4/MAC security aces:        1K
```

This is an example of output from the **show sdm prefer dual-ipv4-and-ipv6 routing** command:

```
Switch# show sdm prefer dual-ipv4-and-ipv6 routing
"desktop IPv4 and IPv6 routing" template:
The selected template optimizes the resources in
the switch to support this level of features for
8 routed interfaces and 1024 VLANs.

number of unicast mac addresses:          1.5K
number of IPv4 IGMP groups + multicast routes: 1K
number of IPv4 unicast routes:           2.75K
  number of directly-connected IPv4 hosts: 1.5K
  number of indirect IPv4 routes:         1.25K
number of IPv6 multicast groups:         1.125k
number of directly-connected IPv6 addresses: 1.5K
number of indirect IPv6 unicast routes:   1.25K
number of IPv4 policy based routing aces: 0.25K
number of IPv4/MAC qos aces:             0.75K
number of IPv4/MAC security aces:        0.5K
number of IPv6 policy based routing aces: 0.25K
number of IPv6 qos aces:                 0.5K
number of IPv6 security aces:            0.5K
```



## CHAPTER 8

# Configuring Switch-Based Authentication

---

This chapter describes how to configure switch-based authentication on the Cisco ME 3400E switch.

- [Preventing Unauthorized Access to Your Switch, page 8-1](#)
- [Protecting Access to Privileged EXEC Commands, page 8-2](#)
- [Controlling Switch Access with TACACS+, page 8-10](#)
- [Controlling Switch Access with RADIUS, page 8-18](#)
- [Controlling Switch Access with Kerberos, page 8-32](#)
- [Configuring the Switch for Local Authentication and Authorization, page 8-36](#)
- [Configuring the Switch for Secure Shell, page 8-37](#)
- [Configuring the Switch for Secure Copy Protocol, page 8-41](#)

## Preventing Unauthorized Access to Your Switch

You can prevent unauthorized users from reconfiguring your switch and viewing configuration information. Typically, you want network administrators to have access to your switch while you restrict access to users who dial from outside the network through an asynchronous port, connect from outside the network through a serial port, or connect through a terminal or workstation from within the local network.

To prevent unauthorized access into your switch, you should configure one or more of these security features:

- At a minimum, you should configure passwords and privileges at each switch port. These passwords are locally stored on the switch. When users attempt to access the switch through a port or line, they must enter the password specified for the port or line before they can access the switch. For more information, see the [“Protecting Access to Privileged EXEC Commands” section on page 8-2](#).
- For an additional layer of security, you can also configure username and password pairs, which are locally stored on the switch. These pairs are assigned to lines or ports and authenticate each user before that user can access the switch. If you have defined privilege levels, you can also assign a specific privilege level (with associated rights and privileges) to each username and password pair. For more information, see the [“Configuring Username and Password Pairs” section on page 8-6](#).
- If you want to use username and password pairs, but you want to store them centrally on a server instead of locally, you can store them in a database on a security server. Multiple networking devices can then use the same database to obtain user authentication (and, if necessary, authorization) information. For more information, see the [“Controlling Switch Access with TACACS+” section on page 8-10](#).

# Protecting Access to Privileged EXEC Commands

A simple way of providing terminal access control in your network is to use passwords and assign privilege levels. Password protection restricts access to a network or network device. Privilege levels define what commands users can enter after they have logged into a network device.


**Note**

For complete syntax and usage information for the commands used in this section, see the *Cisco IOS Security Command Reference, Release 12.2*.

- [Default Password and Privilege Level Configuration, page 8-2](#)
- [Setting or Changing a Static Enable Password, page 8-3](#)
- [Protecting Enable and Enable Secret Passwords with Encryption, page 8-3](#)
- [Disabling Password Recovery, page 8-5](#)
- [Setting a Telnet Password for a Terminal Line, page 8-6](#)
- [Configuring Username and Password Pairs, page 8-6](#)
- [Configuring Multiple Privilege Levels, page 8-7](#)

## Default Password and Privilege Level Configuration

[Table 8-1](#) shows the default password and privilege level configuration.

**Table 8-1** *Default Password and Privilege Levels*

Feature	Default Setting
Enable password and privilege level	No password is defined. The default is level 15 (privileged EXEC level). The password is not encrypted in the configuration file.
Enable secret password and privilege level	No password is defined. The default is level 15 (privileged EXEC level). The password is encrypted before it is written to the configuration file.
Line password	No password is defined.



## Setting or Changing a Static Enable Password

The enable password controls access to the privileged EXEC mode. Beginning in privileged EXEC mode, follow these steps to set or change a static enable password:

	Command	Purpose
Step 1	<b>configure terminal</b>	Enter global configuration mode.
Step 2	<b>enable password</b> <i>password</i>	Define a new password or change an existing password for access to privileged EXEC mode.  By default, no password is defined.  For <i>password</i> , specify a string from 1 to 25 alphanumeric characters. The string cannot start with a number, is case sensitive, and allows spaces but ignores leading spaces. It can contain the question mark (?) character if you precede the question mark with the key combination Ctrl-v when you create the password; for example, to create the password abc?123, do this:  Enter <b>abc</b> .  Enter <b>Ctrl-v</b> .  Enter <b>?123</b> .  When the system prompts you to enter the enable password, you need not precede the question mark with the Ctrl-v; you can simply enter abc?123 at the password prompt.
Step 3	<b>end</b>	Return to privileged EXEC mode.
Step 4	<b>show running-config</b>	Verify your entries.
Step 5	<b>copy running-config startup-config</b>	(Optional) Save your entries in the configuration file.  The enable password is not encrypted and can be read in the switch configuration file.

To remove the password, use the **no enable password** global configuration command.

This example shows how to change the enable password to *11u2c3k4y5*. The password is not encrypted and provides access to level 15 (traditional privileged EXEC mode access):

```
Switch(config)# enable password 11u2c3k4y5
```

## Protecting Enable and Enable Secret Passwords with Encryption

To provide an additional layer of security, particularly for passwords that cross the network or that are stored on a Trivial File Transfer Protocol (TFTP) server, you can use either the **enable password** or **enable secret** global configuration commands. Both commands accomplish the same thing; that is, you can establish an encrypted password that users must enter to access privileged EXEC mode (the default) or any privilege level you specify.

We recommend that you use the **enable secret** command because it uses an improved encryption algorithm.

If you configure the **enable secret** command, it takes precedence over the **enable password** command; the two commands cannot be in effect simultaneously.

Beginning in privileged EXEC mode, follow these steps to configure encryption for enable and enable secret passwords:

	Command	Purpose
Step 1	<b>configure terminal</b>	Enter global configuration mode.
Step 2	<b>enable password</b> [level <i>level</i> ] { <i>password</i>   <i>encryption-type encrypted-password</i> } or <b>enable secret</b> [level <i>level</i> ] { <i>password</i>   <i>encryption-type encrypted-password</i> }	Define a new password or change an existing password for access to privileged EXEC mode. or Define a secret password, which is saved using a nonreversible encryption method.  <ul style="list-style-type: none"> <li>• (Optional) For <i>level</i>, the range is from 0 to 15. Level 1 is normal user EXEC mode privileges. The default level is 15 (privileged EXEC mode privileges).</li> <li>• For <i>password</i>, specify a string from 1 to 25 alphanumeric characters. The string cannot start with a number, is case sensitive, and allows spaces but ignores leading spaces. By default, no password is defined.</li> <li>• (Optional) For <i>encryption-type</i>, only type 5, a Cisco proprietary encryption algorithm, is available. If you specify an encryption type, you must provide an encrypted password—an encrypted password that you copy from another switch configuration.</li> </ul> <p><b>Note</b> If you specify an encryption type and then enter a clear text password, you can not re-enter privileged EXEC mode. You cannot recover a lost encrypted password by any method.</p>
Step 3	<b>service password-encryption</b>	(Optional) Encrypt the password when the password is defined or when the configuration is written.  Encryption prevents the password from being readable in the configuration file.
Step 4	<b>end</b>	Return to privileged EXEC mode.
Step 5	<b>copy running-config startup-config</b>	(Optional) Save your entries in the configuration file.

If both the enable and enable secret passwords are defined, users must enter the enable secret password.

Use the **level** keyword to define a password for a specific privilege level. After you specify the level and set a password, give the password only to users who need to have access at this level. Use the **privilege level** global configuration command to specify commands accessible at various levels. For more information, see the [“Configuring Multiple Privilege Levels” section on page 8-7](#).

If you enable password encryption, it applies to all passwords including username passwords, authentication key passwords, the privileged command password, and console and virtual terminal line passwords.

To remove a password and level, use the **no enable password** [level *level*] or **no enable secret** [level *level*] global configuration command. To disable password encryption, use the **no service password-encryption** global configuration command.

This example shows how to configure the encrypted password `$1$FaD0$Xyti5Rkls3LoyxzS8` for privilege level 2:

```
Switch(config)# enable secret level 2 5 $1$FaD0$Xyti5Rkls3LoyxzS8
```

## Disabling Password Recovery

By default, any end user with physical access to the switch can recover from a lost password by interrupting the boot process while the switch is powering on and then by entering a new password.

The password-recovery disable feature protects access to the switch password by disabling part of this functionality. When this feature is enabled, the end user can interrupt the boot process only by agreeing to set the system back to the default configuration. With password recovery disabled, you can still interrupt the boot process and change the password, but the configuration file (config.text) and the VLAN database file (vlan.dat) are deleted.



### Note

If you disable password recovery, we recommend that you keep a backup copy of the configuration file on a secure server in case the end user interrupts the boot process and sets the system back to default values. Do not keep a backup copy of the configuration file on the switch. We recommend that you also keep a backup copy of the VLAN database file on a secure server. When the switch is returned to the default system configuration, you can download the saved files to the switch by using the XMODEM protocol. For more information, see the [“Recovering from a Lost or Forgotten Password”](#) section on page 46-3.

Beginning in privileged EXEC mode, follow these steps to disable password recovery:

	Command	Purpose
Step 1	<b>configure terminal</b>	Enter global configuration mode.
Step 2	<b>no service password-recovery</b>	Disable password recovery.  This setting is saved in an area of the flash memory that is accessible by the boot loader and the Cisco IOS image, but it is not part of the file system and is not accessible by any user.
Step 3	<b>end</b>	Return to privileged EXEC mode.
Step 4	<b>show version</b>	Verify the configuration by checking the last few lines of the command output.

To re-enable password recovery, use the **service password-recovery** global configuration command.



### Note

Disabling password recovery will not work if you have set the switch to boot manually by using the **boot manual** global configuration command. This command produces the boot loader prompt (*switch:*) after the switch is power cycled.

## Setting a Telnet Password for a Terminal Line

When you power-up your switch for the first time, an automatic setup program runs to assign IP information and to create a default configuration for continued use. The setup program also prompts you to configure your switch for Telnet access through a password. If you did not configure this password during the setup program, you can configure it now through the command-line interface (CLI).

Beginning in privileged EXEC mode, follow these steps to configure your switch for Telnet access:

	Command	Purpose
Step 1		Attach a PC or workstation with emulation software to the switch console port.  The default data characteristics of the console port are 9600, 8, 1, no parity. You might need to press the Return key several times to see the command-line prompt.
Step 2	<b>enable password</b> <i>password</i>	Enter privileged EXEC mode.
Step 3	<b>configure terminal</b>	Enter global configuration mode.
Step 4	<b>line vty 0 15</b>	Configure the number of Telnet sessions (lines), and enter line configuration mode.  There are 16 possible sessions on a command-capable switch. The 0 and 15 mean that you are configuring all 16 possible Telnet sessions.
Step 5	<b>password</b> <i>password</i>	Enter a Telnet password for the line or lines.  For <i>password</i> , specify a string from 1 to 25 alphanumeric characters. The string cannot start with a number, is case sensitive, and allows spaces but ignores leading spaces. By default, no password is defined.
Step 6	<b>end</b>	Return to privileged EXEC mode.
Step 7	<b>show running-config</b>	Verify your entries.  The password is listed under the command <b>line vty 0 15</b> .
Step 8	<b>copy running-config startup-config</b>	(Optional) Save your entries in the configuration file.

To remove the password, use the **no password** global configuration command.

This example shows how to set the Telnet password to *let45me67in89*:

```
Switch(config)# line vty 10
Switch(config-line)# password let45me67in89
```

## Configuring Username and Password Pairs

You can configure username and password pairs, which are locally stored on the switch. These pairs are assigned to lines or ports and authenticate each user before that user can access the switch. If you have defined privilege levels, you can also assign a specific privilege level (with associated rights and privileges) to each username and password pair.

Beginning in privileged EXEC mode, follow these steps to establish a username-based authentication system that requests a login username and a password:

	Command	Purpose
Step 1	<b>configure terminal</b>	Enter global configuration mode.
Step 2	<b>username</b> <i>name</i> [ <b>privilege</b> <i>level</i> ] { <b>password</b> <i>encryption-type password</i> }	Enter the username, privilege level, and password for each user. <ul style="list-style-type: none"> <li>For <i>name</i>, specify the user ID as one word. Spaces and quotation marks are not allowed.</li> <li>(Optional) For <i>level</i>, specify the privilege level the user has after gaining access. The range is 0 to 15. Level 15 gives privileged EXEC mode access. Level 1 gives user EXEC mode access.</li> <li>For <i>encryption-type</i>, enter 0 to specify that an unencrypted password will follow. Enter 7 to specify that a hidden password will follow.</li> <li>For <i>password</i>, specify the password the user must enter to gain access to the switch. The password must be from 1 to 25 characters, can contain embedded spaces, and must be the last option specified in the <b>username</b> command.</li> </ul>
Step 3	<b>line console 0</b> or <b>line vty 0 15</b>	Enter line configuration mode, and configure the console port (line 0) or the VTY lines (line 0 to 15).
Step 4	<b>login local</b>	Enable local password checking at login time. Authentication is based on the username specified in Step 2.
Step 5	<b>end</b>	Return to privileged EXEC mode.
Step 6	<b>show running-config</b>	Verify your entries.
Step 7	<b>copy running-config startup-config</b>	(Optional) Save your entries in the configuration file.

To disable username authentication for a specific user, use the **no username** *name* global configuration command. To disable password checking and allow connections without a password, use the **no login** line configuration command.

## Configuring Multiple Privilege Levels

By default, the Cisco IOS software has two modes of password security: user EXEC and privileged EXEC. You can configure up to 16 hierarchical levels of commands for each mode. By configuring multiple passwords, you can allow different sets of users to have access to specified commands.

For example, if you want many users to have access to the **clear line** command, you can assign it level 2 security and distribute the level 2 password fairly widely. But if you want more restricted access to the **configure** command, you can assign it level 3 security and distribute that password to a more restricted group of users.

These sections contain this configuration information:

- [Setting the Privilege Level for a Command, page 8-8](#)
- [Changing the Default Privilege Level for Lines, page 8-9](#)
- [Logging into and Exiting a Privilege Level, page 8-9](#)

## Setting the Privilege Level for a Command

Beginning in privileged EXEC mode, follow these steps to set the privilege level for a command mode:

	Command	Purpose
Step 1	<b>configure terminal</b>	Enter global configuration mode.
Step 2	<b>privilege mode level level command</b>	Set the privilege level for a command. <ul style="list-style-type: none"> <li>For <i>mode</i>, enter <b>configure</b> for global configuration mode, <b>exec</b> for EXEC mode, <b>interface</b> for interface configuration mode, or <b>line</b> for line configuration mode.</li> <li>For <i>level</i>, the range is from 0 to 15. Level 1 is for normal user EXEC mode privileges. Level 15 is the level of access permitted by the <b>enable</b> password.</li> <li>For <i>command</i>, specify the command to which you want to restrict access.</li> </ul>
Step 3	<b>enable password level level password</b>	Specify the enable password for the privilege level. <ul style="list-style-type: none"> <li>For <i>level</i>, the range is from 0 to 15. Level 1 is for normal user EXEC mode privileges.</li> <li>For <i>password</i>, specify a string from 1 to 25 alphanumeric characters. The string cannot start with a number, is case sensitive, and allows spaces but ignores leading spaces. By default, no password is defined.</li> </ul>
Step 4	<b>end</b>	Return to privileged EXEC mode.
Step 5	<b>show running-config</b> or <b>show privilege</b>	Verify your entries. The first command shows the password and access level configuration. The second command shows the privilege level configuration.
Step 6	<b>copy running-config startup-config</b>	(Optional) Save your entries in the configuration file.

When you set a command to a privilege level, all commands whose syntax is a subset of that command are also set to that level. For example, if you set the **show ip traffic** command to level 15, the **show** commands and **show ip** commands are automatically set to privilege level 15 unless you set them individually to different levels.

To return to the default privilege for a given command, use the **no privilege mode level level command** global configuration command.

This example shows how to set the **configure** command to privilege level 14 and define *SecretPswd14* as the password users must enter to use level 14 commands:

```
Switch(config)# privilege exec level 14 configure
Switch(config)# enable password level 14 SecretPswd14
```

## Changing the Default Privilege Level for Lines

Beginning in privileged EXEC mode, follow these steps to change the default privilege level for a line:

	Command	Purpose
Step 1	<b>configure terminal</b>	Enter global configuration mode.
Step 2	<b>line vty line</b>	Select the virtual terminal line on which to restrict access.
Step 3	<b>privilege level level</b>	Change the default privilege level for the line.  For <i>level</i> , the range is from 0 to 15. Level 1 is for normal user EXEC mode privileges. Level 15 is the level of access permitted by the <b>enable</b> password.
Step 4	<b>end</b>	Return to privileged EXEC mode.
Step 5	<b>show running-config</b>  or <b>show privilege</b>	Verify your entries.  The first command shows the password and access level configuration. The second command shows the privilege level configuration.
Step 6	<b>copy running-config startup-config</b>	(Optional) Save your entries in the configuration file.

Users can override the privilege level you set using the **privilege level** line configuration command by logging in to the line and enabling a different privilege level. They can lower the privilege level by using the **disable** command. If users know the password to a higher privilege level, they can use that password to enable the higher privilege level. You might specify a high level or privilege level for your console line to restrict line usage.

To return to the default line privilege level, use the **no privilege level** line configuration command.

## Logging into and Exiting a Privilege Level

Beginning in privileged EXEC mode, follow these steps to log in to a specified privilege level and to exit to a specified privilege level:

	Command	Purpose
Step 1	<b>enable level</b>	Log in to a specified privilege level.  For <i>level</i> , the range is 0 to 15.
Step 2	<b>disable level</b>	Exit to a specified privilege level.  For <i>level</i> , the range is 0 to 15.

# Controlling Switch Access with TACACS+

This section describes how to enable and configure Terminal Access Controller Access Control System Plus (TACACS+), which provides detailed accounting information and flexible administrative control over authentication and authorization processes. TACACS+ is facilitated through authentication, authorization, accounting (AAA) and can be enabled only through AAA commands.

**Note**

For complete syntax and usage information for the commands used in this section, see the *Cisco IOS Security Command Reference, Release 12.2*.

These sections contain this configuration information:

- [Understanding TACACS+, page 8-10](#)
- [TACACS+ Operation, page 8-12](#)
- [Configuring TACACS+, page 8-12](#)
- [Displaying the TACACS+ Configuration, page 8-17](#)

## Understanding TACACS+

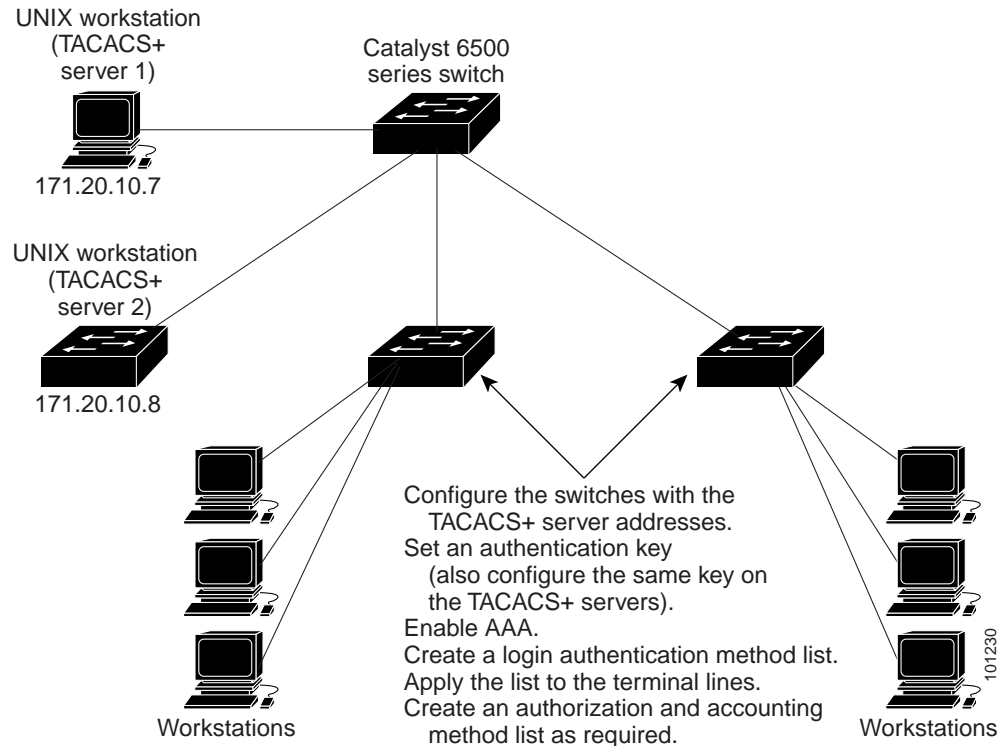
TACACS+ is a security application that provides centralized validation of users attempting to gain access to your switch. TACACS+ services are maintained in a database on a TACACS+ daemon typically running on a UNIX or Windows NT workstation. You should have access to and should configure a TACACS+ server before the configuring TACACS+ features on your switch.

TACACS+ provides for separate and modular authentication, authorization, and accounting facilities. TACACS+ allows for a single access control server (the TACACS+ daemon) to provide each service—authentication, authorization, and accounting—independently. Each service can be tied into its own database to take advantage of other services available on that server or on the network, depending on the capabilities of the daemon.

The goal of TACACS+ is to provide a method for managing multiple network access points from a single management service. Your switch can be a network access server along with other Cisco routers and access servers. A network access server provides connections to a single user, to a network or subnetwork, and to interconnected networks as shown in [Figure 8-1](#).



Figure 8-1 Typical TACACS+ Network Configuration



TACACS+, administered through the AAA security services, can provide these services:

- **Authentication**—Provides complete control of authentication through login and password dialog, challenge and response, and messaging support.  
The authentication facility can conduct a dialog with the user (for example, after a username and password are provided, to challenge a user with several questions, such as home address, mother's maiden name, service type, and social security number). The TACACS+ authentication service can also send messages to user screens. For example, a message could notify users that their passwords must be changed because of the company's password aging policy.
- **Authorization**—Provides fine-grained control over user capabilities for the duration of the user's session, including but not limited to setting autocommands, access control, session duration, or protocol support. You can also enforce restrictions on what commands a user can execute with the TACACS+ authorization feature.
- **Accounting**—Collects and sends information used for billing, auditing, and reporting to the TACACS+ daemon. Network managers can use the accounting facility to track user activity for a security audit or to provide information for user billing. Accounting records include user identities, start and stop times, executed commands (such as PPP), number of packets, and number of bytes.

The TACACS+ protocol provides authentication between the switch and the TACACS+ daemon, and it ensures confidentiality because all protocol exchanges between the switch and the TACACS+ daemon are encrypted.

You need a system running the TACACS+ daemon software to use TACACS+ on your switch.

## TACACS+ Operation

When a user attempts a simple ASCII login by authenticating to a switch using TACACS+, this process occurs:

1. When the connection is established, the switch contacts the TACACS+ daemon to obtain a username prompt to show to the user. The user enters a username, and the switch then contacts the TACACS+ daemon to obtain a password prompt. The switch displays the password prompt to the user, the user enters a password, and the password is then sent to the TACACS+ daemon.

TACACS+ allows a dialog between the daemon and the user until the daemon receives enough information to authenticate the user. The daemon prompts for a username and password combination, but can include other items, such as the user's mother's maiden name.

2. The switch eventually receives one of these responses from the TACACS+ daemon:
  - **ACCEPT**—The user is authenticated and service can begin. If the switch is configured to require authorization, authorization begins at this time.
  - **REJECT**—The user is not authenticated. The user can be denied access or is prompted to retry the login sequence, depending on the TACACS+ daemon.
  - **ERROR**—An error occurred at some time during authentication with the daemon or in the network connection between the daemon and the switch. If an **ERROR** response is received, the switch typically tries to use an alternative method for authenticating the user.
  - **CONTINUE**—The user is prompted for additional authentication information.

After authentication, the user undergoes an additional authorization phase if authorization has been enabled on the switch. Users must first successfully complete TACACS+ authentication before proceeding to TACACS+ authorization.

3. If TACACS+ authorization is required, the TACACS+ daemon is again contacted, and it returns an **ACCEPT** or **REJECT** authorization response. If an **ACCEPT** response is returned, the response contains data in the form of attributes that direct the **EXEC** or **NETWORK** session for that user and the services that the user can access:
  - Telnet, Secure Shell (SSH), rlogin, or privileged **EXEC** services
  - Connection parameters, including the host or client IP address, access list, and user timeouts

## Configuring TACACS+

This section describes how to configure your switch to support TACACS+. At a minimum, you must identify the host or hosts maintaining the TACACS+ daemon and define the method lists for TACACS+ authentication. You can optionally define method lists for TACACS+ authorization and accounting. A method list defines the sequence and methods to be used to authenticate, to authorize, or to keep accounts on a user. You can use method lists to designate one or more security protocols to be used, thus ensuring a backup system if the initial method fails. The software uses the first method listed to authenticate, to authorize, or to keep accounts on users; if that method does not respond, the software selects the next method in the list. This process continues until there is successful communication with a listed method or the method list is exhausted.

The **aaa authorization console** global configuration command that allows you to enable AAA and TACACS+ to work on the console port.

For information about the command, see this URL:

[http://www.cisco.com/en/US/docs/ios/12\\_1/security/command/reference/srdauth.html#wpmkr1017391](http://www.cisco.com/en/US/docs/ios/12_1/security/command/reference/srdauth.html#wpmkr1017391)

These sections contain this configuration information:

- [Default TACACS+ Configuration, page 8-13](#)
- [Identifying the TACACS+ Server Host and Setting the Authentication Key, page 8-13](#)
- [Configuring TACACS+ Login Authentication, page 8-14](#)
- [Configuring TACACS+ Authorization for Privileged EXEC Access and Network Services, page 8-16](#)
- [Starting TACACS+ Accounting, page 8-17](#)

## Default TACACS+ Configuration

TACACS+ and AAA are disabled by default.

To prevent a lapse in security, you cannot configure TACACS+ through a network management application. When enabled, TACACS+ can authenticate users accessing the switch through the CLI.



Note

Although TACACS+ configuration is performed through the CLI, the TACACS+ server authenticates HTTP connections that have been configured with a privilege level of 15.

## Identifying the TACACS+ Server Host and Setting the Authentication Key

You can configure the switch to use a single server or AAA server groups to group existing server hosts for authentication. You can group servers to select a subset of the configured server hosts and use them for a particular service. The server group is used with a global server-host list and contains the list of IP addresses of the selected server hosts.

Beginning in privileged EXEC mode, follow these steps to identify the IP host or host maintaining TACACS+ server and optionally set the encryption key:

	Command	Purpose
Step 1	<b>configure terminal</b>	Enter global configuration mode.
Step 2	<b>tacacs-server host</b> <i>hostname</i> [ <b>port</b> <i>integer</i> ] [ <b>timeout</b> <i>integer</i> ] [ <b>key</b> <i>string</i> ]	Identify the IP host or hosts maintaining a TACACS+ server. Enter this command multiple times to create a list of preferred hosts. The software searches for hosts in the order in which you specify them. <ul style="list-style-type: none"> <li>• For <i>hostname</i>, specify the name or IP address of the host.</li> <li>• (Optional) For <b>port</b> <i>integer</i>, specify a server port number. The default is port 49. The range is 1 to 65535.</li> <li>• (Optional) For <b>timeout</b> <i>integer</i>, specify a time in seconds the switch waits for a response from the daemon before it times out and declares an error. The default is 5 seconds. The range is 1 to 1000 seconds.</li> <li>• (Optional) For <b>key</b> <i>string</i>, specify the encryption key for encrypting and decrypting all traffic between the switch and the TACACS+ daemon. You must configure the same key on the TACACS+ daemon for encryption to be successful.</li> </ul>
Step 3	<b>aaa new-model</b>	Enable AAA.

	Command	Purpose
Step 4	<b>aaa group server tacacs+ <i>group-name</i></b>	(Optional) Define the AAA server-group with a group name. This command puts the switch in a server group subconfiguration mode.
Step 5	<b>server <i>ip-address</i></b>	(Optional) Associate a particular TACACS+ server with the defined server group. Repeat this step for each TACACS+ server in the AAA server group. Each server in the group must be previously defined in Step 2.
Step 6	<b>end</b>	Return to privileged EXEC mode.
Step 7	<b>show tacacs</b>	Verify your entries.
Step 8	<b>copy running-config startup-config</b>	(Optional) Save your entries in the configuration file.

To remove the specified TACACS+ server name or address, use the **no tacacs-server host *hostname*** global configuration command. To remove a server group from the configuration list, use the **no aaa group server tacacs+ *group-name*** global configuration command. To remove the IP address of a TACACS+ server, use the **no server ip-address** server group subconfiguration command.

## Configuring TACACS+ Login Authentication

To configure AAA authentication, you define a named list of authentication methods and then apply that list to various ports. The method list defines the types of authentication to be performed and the sequence in which they are performed; it must be applied to a specific port before any of the defined authentication methods are performed. The only exception is the default method list (which, by coincidence, is named *default*). The default method list is automatically applied to all ports except those that have a named method list explicitly defined. A defined method list overrides the default method list.

A method list describes the sequence and authentication methods to be queried to authenticate a user. You can designate one or more security protocols to be used for authentication, thus ensuring a backup system for authentication in case the initial method fails. The software uses the first method listed to authenticate users; if that method fails to respond, the software selects the next authentication method in the method list. This process continues until there is successful communication with a listed authentication method or until all defined methods are exhausted. If authentication fails at any point in this cycle—meaning that the security server or local username database responds by denying the user access—the authentication process stops, and no other authentication methods are attempted.

Beginning in privileged EXEC mode, follow these steps to configure login authentication:

	Command	Purpose
Step 1	<b>configure terminal</b>	Enter global configuration mode.
Step 2	<b>aaa new-model</b>	Enable AAA.
Step 3	<b>aaa authentication login</b> { <b>default</b>   <i>list-name</i> } <i>method1</i> [ <i>method2</i> ...]	<p>Create a login authentication method list.</p> <ul style="list-style-type: none"> <li>To create a default list that is used when a named list is <i>not</i> specified in the <b>login authentication</b> command, use the <b>default</b> keyword followed by the methods that are to be used in default situations. The default method list is automatically applied to all ports.</li> <li>For <i>list-name</i>, specify a character string to name the list you are creating.</li> <li>For <i>method1</i>..., specify the actual method the authentication algorithm tries. The additional methods of authentication are used only if the previous method returns an error, not if it fails.</li> </ul> <p>Select one of these methods:</p> <ul style="list-style-type: none"> <li><b>enable</b>—Use the enable password for authentication. Before you can use this authentication method, you must define an enable password by using the <b>enable password</b> global configuration command.</li> <li><b>group tacacs+</b>—Uses TACACS+ authentication. Before you can use this authentication method, you must configure the TACACS+ server. For more information, see the <a href="#">“Identifying the TACACS+ Server Host and Setting the Authentication Key”</a> section on page 8-13.</li> <li><b>line</b>—Use the line password for authentication. Before you can use this authentication method, you must define a line password. Use the <b>password password</b> line configuration command.</li> <li><b>local</b>—Use the local username database for authentication. You must enter username information in the database. Use the <b>username password</b> global configuration command.</li> <li><b>local-case</b>—Use a case-sensitive local username database for authentication. You must enter username information in the database by using the <b>username name password</b> global configuration command.</li> <li><b>none</b>—Do not use any authentication for login.</li> </ul>
Step 4	<b>line</b> [ <b>console</b>   <b>tty</b>   <b>vty</b> ] <i>line-number</i> [ <i>ending-line-number</i> ]	Enter line configuration mode, and configure the lines to which you want to apply the authentication list.

	Command	Purpose
Step 5	<b>login authentication</b> { <b>default</b>   <i>list-name</i> }	Apply the authentication list to a line or set of lines. <ul style="list-style-type: none"> <li>If you specify <b>default</b>, use the default list created with the <b>aaa authentication login</b> command.</li> <li>For <i>list-name</i>, specify the list created with the <b>aaa authentication login</b> command.</li> </ul>
Step 6	<b>end</b>	Return to privileged EXEC mode.
Step 7	<b>show running-config</b>	Verify your entries.
Step 8	<b>copy running-config startup-config</b>	(Optional) Save your entries in the configuration file.

To disable AAA, use the **no aaa new-model** global configuration command. To disable AAA authentication, use the **no aaa authentication login** { **default** | *list-name* } *method1* [*method2...*] global configuration command. To either disable TACACS+ authentication for logins or to return to the default value, use the **no login authentication** { **default** | *list-name* } line configuration command.

## Configuring TACACS+ Authorization for Privileged EXEC Access and Network Services

AAA authorization limits the services available to a user. When AAA authorization is enabled, the switch uses information retrieved from the user's profile, which is located either in the local user database or on the security server, to configure the user's session. The user is granted access to a requested service only if the information in the user profile allows it.

You can use the **aaa authorization** global configuration command with the **tacacs+** keyword to set parameters that restrict a user's network access to privileged EXEC mode.

The **aaa authorization exec tacacs+ local** command sets these authorization parameters:

- Use TACACS+ for privileged EXEC access authorization if authentication was performed by using TACACS+.
- Use the local database if authentication was not performed by using TACACS+.



### Note

Authorization is bypassed for authenticated users who log in through the CLI even if authorization has been configured.

Beginning in privileged EXEC mode, follow these steps to specify TACACS+ authorization for privileged EXEC access and network services:

	Command	Purpose
Step 1	<b>configure terminal</b>	Enter global configuration mode.
Step 2	<b>aaa authorization network tacacs+</b>	Configure the switch for user TACACS+ authorization for all network-related service requests.
Step 3	<b>aaa authorization exec tacacs+</b>	Configure the switch for user TACACS+ authorization if the user has privileged EXEC access.  The <b>exec</b> keyword might return user profile information (such as <b>autocommand</b> information).
Step 4	<b>end</b>	Return to privileged EXEC mode.

	Command	Purpose
Step 5	<b>show running-config</b>	Verify your entries.
Step 6	<b>copy running-config startup-config</b>	(Optional) Save your entries in the configuration file.

To disable authorization, use the **no aaa authorization {network | exec} method1** global configuration command.

## Starting TACACS+ Accounting

The AAA accounting feature tracks the services that users are accessing and the amount of network resources that they are consuming. When AAA accounting is enabled, the switch reports user activity to the TACACS+ security server in the form of accounting records. Each accounting record contains accounting attribute-value (AV) pairs and is stored on the security server. This data can then be analyzed for network management, client billing, or auditing.

Beginning in privileged EXEC mode, follow these steps to enable TACACS+ accounting for each Cisco IOS privilege level and for network services:

	Command	Purpose
Step 1	<b>configure terminal</b>	Enter global configuration mode.
Step 2	<b>aaa accounting network start-stop tacacs+</b>	Enable TACACS+ accounting for all network-related service requests.
Step 3	<b>aaa accounting exec start-stop tacacs+</b>	Enable TACACS+ accounting to send a start-record accounting notice at the beginning of a privileged EXEC process and a stop-record at the end.
Step 4	<b>end</b>	Return to privileged EXEC mode.
Step 5	<b>show running-config</b>	Verify your entries.
Step 6	<b>copy running-config startup-config</b>	(Optional) Save your entries in the configuration file.

To disable accounting, use the **no aaa accounting {network | exec} {start-stop} method1...** global configuration command.

## Establishing a Session with a Router if the AAA Server is Unreachable

The **aaa accounting system guarantee-first** command guarantees system accounting as the first record, which is the default condition. In some situations, users might be prevented from starting a session on the console or terminal connection until after the system reloads, which can take more than 3 minutes.

To establish a console or Telnet session with the router if the AAA server is unreachable when the router reloads, use the **no aaa accounting system guarantee-first** command.

## Displaying the TACACS+ Configuration

To display TACACS+ server statistics, use the **show tacacs** privileged EXEC command.

# Controlling Switch Access with RADIUS

This section describes how to enable and configure the RADIUS, which provides detailed accounting information and flexible administrative control over authentication and authorization processes. RADIUS is facilitated through AAA and can be enabled only through AAA commands.

**Note**

For complete syntax and usage information for the commands used in this section, see the *Cisco IOS Security Command Reference, Release 12.2*.

These sections contain this configuration information:

- [Understanding RADIUS, page 8-18](#)
- [RADIUS Operation, page 8-19](#)
- [Configuring RADIUS, page 8-20](#)
- [Displaying the RADIUS Configuration, page 8-31](#)

## Understanding RADIUS

RADIUS is a distributed client/server system that secures networks against unauthorized access. RADIUS clients run on supported Cisco routers and switches. Clients send authentication requests to a central RADIUS server, which contains all user authentication and network service access information. The RADIUS host is normally a multiuser system running RADIUS server software from Cisco (Cisco Secure Access Control Server Version 3.0), Livingston, Merit, Microsoft, or another software provider. For more information, see the RADIUS server documentation.

Use RADIUS in these network environments that require access security:

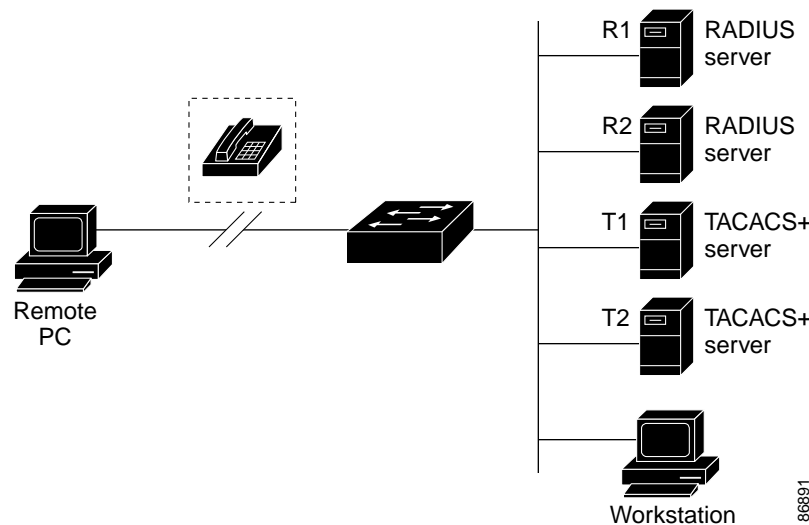
- Networks with multiple-vendor access servers, each supporting RADIUS. For example, access servers from several vendors use a single RADIUS server-based security database. In an IP-based network with multiple vendors' access servers, dial-in users are authenticated through a RADIUS server that has been customized to work with the Kerberos security system.
- Turnkey network security environments in which applications support the RADIUS protocol, such as in an access environment that uses a *smart card* access control system. In one case, RADIUS has been used with Enigma's security cards to validate users and to grant access to network resources.
- Networks already using RADIUS. You can add a Cisco switch containing a RADIUS client to the network. This might be the first step when you make a transition to a TACACS+ server. See [Figure 8-2 on page 8-19](#).
- Network in which the user must only access a single service. Using RADIUS, you can control user access to a single host, to a single utility such as Telnet, or to the network through a protocol such as IEEE 802.1x. For more information about this protocol, see [Chapter 9, "Configuring IEEE 802.1x Port-Based Authentication."](#)
- Networks that require resource accounting. You can use RADIUS accounting independently of RADIUS authentication or authorization. The RADIUS accounting functions allow data to be sent at the start and end of services, showing the amount of resources (such as time, packets, bytes, and so forth) used during the session. An Internet service provider might use a freeware-based version of RADIUS access control and accounting software to meet special security and billing needs.



RADIUS is not suitable in these network security situations:

- Multiprotocol access environments. RADIUS does not support AppleTalk Remote Access (ARA), NetBIOS Frame Control Protocol (NBFCP), NetWare Asynchronous Services Interface (NASI), or X.25 PAD connections.
- Switch-to-switch or router-to-router situations. RADIUS does not provide two-way authentication. RADIUS can be used to authenticate from one device to a non-Cisco device if the non-Cisco device requires authentication.
- Networks using a variety of services. RADIUS generally binds a user to one service model.

**Figure 8-2** Transitioning from RADIUS to TACACS+ Services



## RADIUS Operation

When a user attempts to log in and authenticate to a switch that is access controlled by a RADIUS server, these events occur:

1. The user is prompted to enter a username and password.
2. The username and encrypted password are sent over the network to the RADIUS server.
3. The user receives one of these responses from the RADIUS server:
  - a. ACCEPT—The user is authenticated.
  - b. REJECT—The user is either not authenticated and is prompted to re-enter the username and password, or access is denied.
  - c. CHALLENGE—A challenge requires additional data from the user.
  - d. CHALLENGE PASSWORD—A response requests the user to select a new password.

The ACCEPT or REJECT response is bundled with additional data that is used for privileged EXEC or network authorization. Users must first successfully complete RADIUS authentication before proceeding to RADIUS authorization, if it is enabled. The additional data included with the ACCEPT or REJECT packets includes these items:

- Telnet, SSH, rlogin, or privileged EXEC services
- Connection parameters, including the host or client IP address, access list, and user timeouts

## Configuring RADIUS

This section describes how to configure your switch to support RADIUS. At a minimum, you must identify the host or hosts that run the RADIUS server software and define the method lists for RADIUS authentication. You can optionally define method lists for RADIUS authorization and accounting.

A method list defines the sequence and methods to be used to authenticate, to authorize, or to keep accounts on a user. You can use method lists to designate one or more security protocols to be used (such as TACACS+ or local username lookup), thus ensuring a backup system if the initial method fails. The software uses the first method listed to authenticate, to authorize, or to keep accounts on users; if that method does not respond, the software selects the next method in the list. This process continues until there is successful communication with a listed method or the method list is exhausted.

You should have access to and should configure a RADIUS server before configuring RADIUS features on your switch.

These sections contain this configuration information:

- [Default RADIUS Configuration, page 8-20](#)
- [Identifying the RADIUS Server Host, page 8-20](#) (required)
- [Configuring RADIUS Login Authentication, page 8-23](#) (required)
- [Defining AAA Server Groups, page 8-25](#) (optional)
- [Configuring RADIUS Authorization for User Privileged Access and Network Services, page 8-27](#) (optional)
- [Starting RADIUS Accounting, page 8-28](#) (optional)
- [Configuring Settings for All RADIUS Servers, page 8-29](#) (optional)
- [Configuring the Switch to Use Vendor-Specific RADIUS Attributes, page 8-29](#) (optional)
- [Configuring the Switch for Vendor-Proprietary RADIUS Server Communication, page 8-30](#) (optional)
- [Configuring RADIUS Server Load Balancing, page 8-31](#) (optional)

### Default RADIUS Configuration

RADIUS and AAA are disabled by default.

To prevent a lapse in security, you cannot configure RADIUS through a network management application. When enabled, RADIUS can authenticate users accessing the switch through the CLI.

### Identifying the RADIUS Server Host

Switch-to-RADIUS-server communication involves several components:

- Hostname or IP address
- Authentication destination port
- Accounting destination port
- Key string
- Timeout period
- Retransmission value

You identify RADIUS security servers by their hostname or IP address, hostname and specific UDP port numbers, or their IP address and specific UDP port numbers. The combination of the IP address and the UDP port number creates a unique identifier, allowing different ports to be individually defined as RADIUS hosts providing a specific AAA service. This unique identifier enables RADIUS requests to be sent to multiple UDP ports on a server at the same IP address.

If two different host entries on the same RADIUS server are configured for the same service—for example, accounting—the second host entry configured acts as a fail-over backup to the first one. Using this example, if the first host entry fails to provide accounting services, the switch tries the second host entry configured on the same device for accounting services. (The RADIUS host entries are tried in the order that they are configured.)

A RADIUS server and the switch use a shared secret text string to encrypt passwords and exchange responses. To configure RADIUS to use the AAA security commands, you must specify the host running the RADIUS server daemon and a secret text (key) string that it shares with the switch.

The timeout, retransmission, and encryption key values can be configured globally for all RADIUS servers, on a per-server basis, or in some combination of global and per-server settings. To apply these settings globally to all RADIUS servers communicating with the switch, use the three unique global configuration commands: **radius-server timeout**, **radius-server retransmit**, and **radius-server key**. To apply these values on a specific RADIUS server, use the **radius-server host** global configuration command.

You can configure the switch to use AAA server groups to group existing server hosts for authentication. For more information, see the [“Defining AAA Server Groups”](#) section on page 8-25.

Beginning in privileged EXEC mode, follow these steps to configure per-server RADIUS server communication. This procedure is required.

	Command	Purpose
Step 1	<b>configure terminal</b>	Enter global configuration mode.
Step 2	<b>aaa new-model</b>	Enable AAA authentication.

Command	Purpose
Step 3 <b>radius-server host</b> { <i>hostname</i>   <i>ip-address</i> } [ <b>auth-port</b> <i>port-number</i> ] [ <b>acct-port</b> <i>port-number</i> ] [ <b>timeout</b> <i>seconds</i> ] [ <b>retransmit</b> <i>retries</i> ] [ <b>key</b> <i>string</i> ]	Specify the IP address or hostname of the remote RADIUS server host. <ul style="list-style-type: none"> <li>• (Optional) For <b>auth-port</b> <i>port-number</i>, specify the UDP destination port for authentication requests.</li> <li>• (Optional) For <b>acct-port</b> <i>port-number</i>, specify the UDP destination port for accounting requests.</li> <li>• (Optional) For <b>timeout</b> <i>seconds</i>, specify the time interval that the switch waits for the RADIUS server to reply before resending. The range is 1 to 1000. This setting overrides the <b>radius-server timeout</b> global configuration command setting. If no timeout is set with the <b>radius-server host</b> command, the setting of the <b>radius-server timeout</b> command is used.</li> <li>• (Optional) For <b>retransmit</b> <i>retries</i>, specify the number of times a RADIUS request is resent to a server if that server is not responding or responding slowly. The range is 1 to 1000. If no retransmit value is set with the <b>radius-server host</b> command, the setting of the <b>radius-server retransmit</b> global configuration command is used.</li> <li>• (Optional) For <b>key</b> <i>string</i>, specify the authentication and encryption key used between the switch and the RADIUS daemon running on the RADIUS server.</li> </ul> <p><b>Note</b> The key is a text string that must match the encryption key used on the RADIUS server. Always configure the key as the last item in the <b>radius-server host</b> command. Leading spaces are ignored, but spaces within and at the end of the key are used. If you use spaces in your key, do not enclose the key in quotation marks unless the quotation marks are part of the key.</p> <p>To configure the switch to recognize more than one host entry associated with a single IP address, enter this command as many times as necessary, making sure that each UDP port number is different. The switch software searches for hosts in the order in which you specify them. Set the timeout, retransmit, and encryption key values to use with the specific RADIUS host.</p>
Step 4 <b>end</b>	Return to privileged EXEC mode.
Step 5 <b>show running-config</b>	Verify your entries.
Step 6 <b>copy running-config startup-config</b>	(Optional) Save your entries in the configuration file.

To remove the specified RADIUS server, use the **no radius-server host** *hostname* | *ip-address* global configuration command.

This example shows how to configure one RADIUS server to be used for authentication and another to be used for accounting:

```
Switch(config)# radius-server host 172.29.36.49 auth-port 1612 key rad1
Switch(config)# radius-server host 172.20.36.50 acct-port 1618 key rad2
```

This example shows how to configure *host1* as the RADIUS server and to use the default ports for both authentication and accounting:

```
Switch(config)# radius-server host host1
```

**Note**

You also need to configure some settings on the RADIUS server. These settings include the IP address of the switch and the key string to be shared by both the server and the switch. For more information, see the RADIUS server documentation.

## Configuring RADIUS Login Authentication

To configure AAA authentication, you define a named list of authentication methods and then apply that list to various ports. The method list defines the types of authentication to be performed and the sequence in which they are performed; it must be applied to a specific port before any of the defined authentication methods are performed. The only exception is the default method list (which, by coincidence, is named *default*). The default method list is automatically applied to all ports except those that have a named method list explicitly defined.

A method list describes the sequence and authentication methods to be queried to authenticate a user. You can designate one or more security protocols to be used for authentication, thus ensuring a backup system for authentication in case the initial method fails. The software uses the first method listed to authenticate users; if that method fails to respond, the software selects the next authentication method in the method list. This process continues until there is successful communication with a listed authentication method or until all defined methods are exhausted. If authentication fails at any point in this cycle—meaning that the security server or local username database responds by denying the user access—the authentication process stops, and no other authentication methods are attempted.

Beginning in privileged EXEC mode, follow these steps to configure login authentication. This procedure is required.

	Command	Purpose
Step 1	<b>configure terminal</b>	Enter global configuration mode.
Step 2	<b>aaa new-model</b>	Enable AAA.

Command	Purpose
Step 3 <b>aaa authentication login</b> { <b>default</b>   <i>list-name</i> } <i>method1</i> [ <i>method2</i> ...]	Create a login authentication method list. <ul style="list-style-type: none"> <li>• To create a default list that is used when a named list is <i>not</i> specified in the <b>login authentication</b> command, use the <b>default</b> keyword followed by the methods that are to be used in default situations. The default method list is automatically applied to all ports.</li> <li>• For <i>list-name</i>, specify a character string to name the list you are creating.</li> <li>• For <i>method1</i>..., specify the actual method the authentication algorithm tries. The additional methods of authentication are used only if the previous method returns an error, not if it fails.</li> </ul> Select one of these methods: <ul style="list-style-type: none"> <li>– <b>enable</b>—Use the enable password for authentication. Before you can use this authentication method, you must define an enable password by using the <b>enable password</b> global configuration command.</li> <li>– <b>group radius</b>—Use RADIUS authentication. Before you can use this authentication method, you must configure the RADIUS server. For more information, see the <a href="#">“Identifying the RADIUS Server Host”</a> section on page 8-20.</li> <li>– <b>line</b>—Use the line password for authentication. Before you can use this authentication method, you must define a line password. Use the <b>password password</b> line configuration command.</li> <li>– <b>local</b>—Use the local username database for authentication. You must enter username information in the database. Use the <b>username name password</b> global configuration command.</li> <li>– <b>local-case</b>—Use a case-sensitive local username database for authentication. You must enter username information in the database by using the <b>username password</b> global configuration command.</li> <li>– <b>none</b>—Do not use any authentication for login.</li> </ul>
Step 4 <b>line</b> [ <b>console</b>   <b>tty</b>   <b>vty</b> ] <i>line-number</i> [ <i>ending-line-number</i> ]	Enter line configuration mode, and configure the lines to which you want to apply the authentication list.

	Command	Purpose
Step 5	<b>login authentication</b> { <b>default</b>   <i>list-name</i> }	Apply the authentication list to a line or set of lines. <ul style="list-style-type: none"> <li>• If you specify <b>default</b>, use the default list created with the <b>aaa authentication login</b> command.</li> <li>• For <i>list-name</i>, specify the list created with the <b>aaa authentication login</b> command.</li> </ul>
Step 6	<b>end</b>	Return to privileged EXEC mode.
Step 7	<b>show running-config</b>	Verify your entries.
Step 8	<b>copy running-config startup-config</b>	(Optional) Save your entries in the configuration file.

To disable AAA, use the **no aaa new-model** global configuration command. To disable AAA authentication, use the **no aaa authentication login** { **default** | *list-name* } *method1* [*method2...*] global configuration command. To either disable RADIUS authentication for logins or to return to the default value, use the **no login authentication** { **default** | *list-name* } line configuration command.

## Defining AAA Server Groups

You can configure the switch to use AAA server groups to group existing server hosts for authentication. You select a subset of the configured server hosts and use them for a particular service. The server group is used with a global server-host list, which lists the IP addresses of the selected server hosts.

Server groups also can include multiple host entries for the same server if each entry has a unique identifier (the combination of the IP address and UDP port number), allowing different ports to be individually defined as RADIUS hosts providing a specific AAA service. If you configure two different host entries on the same RADIUS server for the same service, (for example, accounting), the second configured host entry acts as a fail-over backup to the first one.

You use the **server** group server configuration command to associate a particular server with a defined group server. You can either identify the server by its IP address or identify multiple host instances or entries by using the optional **auth-port** and **acct-port** keywords.

Beginning in privileged EXEC mode, follow these steps to define the AAA server group and associate a particular RADIUS server with it:

	Command	Purpose
Step 1	<b>configure terminal</b>	Enter global configuration mode.
Step 2	<b>radius-server host</b> { <i>hostname</i>   <i>ip-address</i> } [ <b>auth-port</b> <i>port-number</i> ] [ <b>acct-port</b> <i>port-number</i> ] [ <b>timeout</b> <i>seconds</i> ] [ <b>retransmit</b> <i>retries</i> ] [ <b>key</b> <i>string</i> ]	<p>Specify the IP address or hostname of the remote RADIUS server host.</p> <ul style="list-style-type: none"> <li>• (Optional) For <b>auth-port</b> <i>port-number</i>, specify the UDP destination port for authentication requests.</li> <li>• (Optional) For <b>acct-port</b> <i>port-number</i>, specify the UDP destination port for accounting requests.</li> <li>• (Optional) For <b>timeout</b> <i>seconds</i>, specify the time interval that the switch waits for the RADIUS server to reply before resending. The range is 1 to 1000. This setting overrides the <b>radius-server timeout</b> global configuration command setting. If no timeout is set with the <b>radius-server host</b> command, the setting of the <b>radius-server timeout</b> command is used.</li> <li>• (Optional) For <b>retransmit</b> <i>retries</i>, specify the number of times a RADIUS request is resent to a server if that server is not responding or responding slowly. The range is 1 to 1000. If no retransmit value is set with the <b>radius-server host</b> command, the setting of the <b>radius-server retransmit</b> global configuration command is used.</li> <li>• (Optional) For <b>key</b> <i>string</i>, specify the authentication and encryption key used between the switch and the RADIUS daemon running on the RADIUS server.</li> </ul> <p><b>Note</b> The key is a text string that must match the encryption key used on the RADIUS server. Always configure the key as the last item in the <b>radius-server host</b> command. Leading spaces are ignored, but spaces within and at the end of the key are used. If you use spaces in your key, do not enclose the key in quotation marks unless the quotation marks are part of the key.</p> <p>To configure the switch to recognize more than one host entry associated with a single IP address, enter this command as many times as necessary, making sure that each UDP port number is different. The switch software searches for hosts in the order in which you specify them. Set the timeout, retransmit, and encryption key values to use with the specific RADIUS host.</p>
Step 3	<b>aaa new-model</b>	Enable AAA.
Step 4	<b>aaa group server radius</b> <i>group-name</i>	Define the AAA server-group with a group name. This command puts the switch in a server group configuration mode.
Step 5	<b>server</b> <i>ip-address</i>	Associate a particular RADIUS server with the defined server group. Repeat this step for each RADIUS server in the AAA server group. Each server in the group must be previously defined in Step 2.
Step 6	<b>end</b>	Return to privileged EXEC mode.
Step 7	<b>show running-config</b>	Verify your entries.



	Command	Purpose
Step 8	<b>copy running-config startup-config</b>	(Optional) Save your entries in the configuration file.
Step 9		Enable RADIUS login authentication. See the “ <a href="#">Configuring RADIUS Login Authentication</a> ” section on page 8-23.

To remove the specified RADIUS server, use the **no radius-server host** *hostname | ip-address* global configuration command. To remove a server group from the configuration list, use the **no aaa group server radius** *group-name* global configuration command. To remove the IP address of a RADIUS server, use the **no server ip-address** server group configuration command.

In this example, the switch is configured to recognize two different RADIUS group servers (*group1* and *group2*). Group1 has two different host entries on the same RADIUS server configured for the same services. The second host entry acts as a fail-over backup to the first entry.

```
Switch(config)# radius-server host 172.20.0.1 auth-port 1000 acct-port 1001
Switch(config)# radius-server host 172.10.0.1 auth-port 1645 acct-port 1646
Switch(config)# aaa new-model
Switch(config)# aaa group server radius group1
Switch(config-sg-radius)# server 172.20.0.1 auth-port 1000 acct-port 1001
Switch(config-sg-radius)# exit
Switch(config)# aaa group server radius group2
Switch(config-sg-radius)# server 172.20.0.1 auth-port 2000 acct-port 2001
Switch(config-sg-radius)# exit
```

## Configuring RADIUS Authorization for User Privileged Access and Network Services

AAA authorization limits the services available to a user. When AAA authorization is enabled, the switch uses information retrieved from the user’s profile, which is in the local user database or on the security server, to configure the user’s session. The user is granted access to a requested service only if the information in the user profile allows it.

You can use the **aaa authorization** global configuration command with the **radius** keyword to set parameters that restrict a user’s network access to privileged EXEC mode.

The **aaa authorization exec radius local** command sets these authorization parameters:

- Use RADIUS for privileged EXEC access authorization if authentication was performed by using RADIUS.
- Use the local database if authentication was not performed by using RADIUS.



### Note

Authorization is bypassed for authenticated users who log in through the CLI even if authorization has been configured.

Beginning in privileged EXEC mode, follow these steps to specify RADIUS authorization for privileged EXEC access and network services:

	Command	Purpose
Step 1	<b>configure terminal</b>	Enter global configuration mode.
Step 2	<b>aaa authorization network radius</b>	Configure the switch for user RADIUS authorization for all network-related service requests.

	Command	Purpose
Step 3	<b>aaa authorization exec radius</b>	Configure the switch for user RADIUS authorization if the user has privileged EXEC access. The <b>exec</b> keyword might return user profile information (such as <b>autocommand</b> information).
Step 4	<b>end</b>	Return to privileged EXEC mode.
Step 5	<b>show running-config</b>	Verify your entries.
Step 6	<b>copy running-config startup-config</b>	(Optional) Save your entries in the configuration file.

To disable authorization, use the **no aaa authorization {network | exec} method1** global configuration command.

## Starting RADIUS Accounting

The AAA accounting feature tracks the services that users are accessing and the amount of network resources that they are consuming. When AAA accounting is enabled, the switch reports user activity to the RADIUS security server in the form of accounting records. Each accounting record contains accounting attribute-value (AV) pairs and is stored on the security server. This data can then be analyzed for network management, client billing, or auditing.

Beginning in privileged EXEC mode, follow these steps to enable RADIUS accounting for each Cisco IOS privilege level and for network services:

	Command	Purpose
Step 1	<b>configure terminal</b>	Enter global configuration mode.
Step 2	<b>aaa accounting network start-stop radius</b>	Enable RADIUS accounting for all network-related service requests.
Step 3	<b>aaa accounting exec start-stop radius</b>	Enable RADIUS accounting to send a start-record accounting notice at the beginning of a privileged EXEC process and a stop-record at the end.
Step 4	<b>end</b>	Return to privileged EXEC mode.
Step 5	<b>show running-config</b>	Verify your entries.
Step 6	<b>copy running-config startup-config</b>	(Optional) Save your entries in the configuration file.

To disable accounting, use the **no aaa accounting {network | exec} {start-stop} method1...** global configuration command.

## Establishing a Session with a Router if the AAA Server is Unreachable

The **aaa accounting system guarantee-first** command guarantees system accounting as the first record, which is the default condition. In some situations, users might be prevented from starting a session on the console or terminal connection until after the system reloads, which can take more than 3 minutes.

To establish a console or Telnet session with the router if the AAA server is unreachable when the router reloads, use the **no aaa accounting system guarantee-first** command.

## Configuring Settings for All RADIUS Servers

Beginning in privileged EXEC mode, follow these steps to configure global communication settings between the switch and all RADIUS servers:

	Command	Purpose
Step 1	<b>configure terminal</b>	Enter global configuration mode.
Step 2	<b>radius-server key</b> <i>string</i>	Specify the shared secret text string used between the switch and all RADIUS servers.  <b>Note</b> The key is a text string that must match the encryption key used on the RADIUS server. Leading spaces are ignored, but spaces within and at the end of the key are used. If you use spaces in your key, do not enclose the key in quotation marks unless the quotation marks are part of the key.
Step 3	<b>radius-server retransmit</b> <i>retries</i>	Specify the number of times the switch sends each RADIUS request to the server before giving up. The default is 3; the range 1 to 1000.
Step 4	<b>radius-server timeout</b> <i>seconds</i>	Specify the number of seconds a switch waits for a reply to a RADIUS request before resending the request. The default is 5 seconds; the range is 1 to 1000.
Step 5	<b>radius-server deadtime</b> <i>minutes</i>	Specify the number of minutes a RADIUS server, which is not responding to authentication requests, to be skipped, thus avoiding the wait for the request to timeout before trying the next configured server. The default is 0; the range is 1 to 1440 minutes.
Step 6	<b>end</b>	Return to privileged EXEC mode.
Step 7	<b>show running-config</b>	Verify your settings.
Step 8	<b>copy running-config startup-config</b>	(Optional) Save your entries in the configuration file.

To return to the default setting for the retransmit, timeout, and deadtime, use the **no** forms of these commands.

## Configuring the Switch to Use Vendor-Specific RADIUS Attributes

The Internet Engineering Task Force (IETF) draft standard specifies a method for communicating vendor-specific information between the switch and the RADIUS server by using the vendor-specific attribute (attribute 26). Vendor-specific attributes (VSAs) allow vendors to support their own extended attributes not suitable for general use. The Cisco RADIUS implementation supports one vendor-specific option by using the format recommended in the specification. Cisco's vendor-ID is 9, and the supported option has vendor-type 1, which is named *cisco-avpair*. The value is a string with this format:

```
protocol : attribute sep value *
```

*Protocol* is a value of the Cisco protocol attribute for a particular type of authorization. *Attribute* and *value* are an appropriate attribute-value (AV) pair defined in the Cisco TACACS+ specification, and *sep* is = for mandatory attributes and is \* for optional attributes. The full set of features available for TACACS+ authorization can then be used for RADIUS.

For example, this AV pair activates Cisco's *multiple named ip address pools* feature during IP authorization (during PPP IPCP address assignment):

```
cisco-avpair= "ip:addr-pool=first"
```

This example shows how to provide a user logging in from a switch with immediate access to privileged EXEC commands:

```
cisco-avpair= "shell:priv-lvl=15"
```

This example shows how to specify an authorized VLAN in the RADIUS server database:

```
cisco-avpair= "tunnel-type(#64)=VLAN(13)"
cisco-avpair= "tunnel-medium-type(#65)=802 media(6)"
cisco-avpair= "tunnel-private-group-ID(#81)=vlanid"
```

This example shows how to apply an input ACL in ASCII format to an interface for the duration of this connection:

```
cisco-avpair= "ip:inacl#1=deny ip 10.10.10.10 0.0.255.255 20.20.20.20 255.255.0.0"
cisco-avpair= "ip:inacl#2=deny ip 10.10.10.10 0.0.255.255 any"
cisco-avpair= "mac:inacl#3=deny any any deernet-iv"
```

This example shows how to apply an output ACL in ASCII format to an interface for the duration of this connection:

```
cisco-avpair= "ip:outacl#2=deny ip 10.10.10.10 0.0.255.255 any"
```

Other vendors have their own unique vendor-IDs, options, and associated VSAs. For more information about vendor-IDs and VSAs, see RFC 2138, "Remote Authentication Dial-In User Service (RADIUS)."

Beginning in privileged EXEC mode, follow these steps to configure the switch to recognize and use VSAs:

	Command	Purpose
Step 1	<b>configure terminal</b>	Enter global configuration mode.
Step 2	<b>radius-server vsa send [accounting   authentication]</b>	Enable the switch to recognize and use VSAs as defined by RADIUS IETF attribute 26. <ul style="list-style-type: none"> <li>• (Optional) Use the <b>accounting</b> keyword to limit the set of recognized vendor-specific attributes to only accounting attributes.</li> <li>• (Optional) Use the <b>authentication</b> keyword to limit the set of recognized vendor-specific attributes to only authentication attributes.</li> </ul> If you enter this command without keywords, both accounting and authentication vendor-specific attributes are used.
Step 3	<b>end</b>	Return to privileged EXEC mode.
Step 4	<b>show running-config</b>	Verify your settings.
Step 5	<b>copy running-config startup-config</b>	(Optional) Save your entries in the configuration file.

For a complete list of RADIUS attributes or more information about vendor-specific attribute 26, see the "RADIUS Attributes" appendix in the *Cisco IOS Security Configuration Guide, Release 12.2*.

## Configuring the Switch for Vendor-Proprietary RADIUS Server Communication

Although an IETF draft standard for RADIUS specifies a method for communicating vendor-proprietary information between the switch and the RADIUS server, some vendors have extended the RADIUS attribute set in a unique way. Cisco IOS software supports a subset of vendor-proprietary RADIUS attributes.

As mentioned earlier, to configure RADIUS (whether vendor-proprietary or IETF draft-compliant), you must specify the host running the RADIUS server daemon and the secret text string it shares with the switch. You specify the RADIUS host and secret text string by using the **radius-server** global configuration commands.

Beginning in privileged EXEC mode, follow these steps to specify a vendor-proprietary RADIUS server host and a shared secret text string:

	Command	Purpose
Step 1	<b>configure terminal</b>	Enter global configuration mode.
Step 2	<b>radius-server host</b> { <i>hostname</i>   <i>ip-address</i> } <b>non-standard</b>	Specify the IP address or hostname of the remote RADIUS server host and identify that it is using a vendor-proprietary implementation of RADIUS.
Step 3	<b>radius-server key</b> <i>string</i>	Specify the shared secret text string used between the switch and the vendor-proprietary RADIUS server. The switch and the RADIUS server use this text string to encrypt passwords and exchange responses.  <b>Note</b> The key is a text string that must match the encryption key used on the RADIUS server. Leading spaces are ignored, but spaces within and at the end of the key are used. If you use spaces in your key, do not enclose the key in quotation marks unless the quotation marks are part of the key.
Step 4	<b>end</b>	Return to privileged EXEC mode.
Step 5	<b>show running-config</b>	Verify your settings.
Step 6	<b>copy running-config startup-config</b>	(Optional) Save your entries in the configuration file.

To delete the vendor-proprietary RADIUS host, use the **no radius-server host** {*hostname* | *ip-address*} **non-standard** global configuration command. To disable the key, use the **no radius-server key** global configuration command.

This example shows how to specify a vendor-proprietary RADIUS host and to use a secret key of *rad124* between the switch and the server:

```
Switch(config)# radius-server host 172.20.30.15 nonstandard
Switch(config)# radius-server key rad124
```

## Configuring RADIUS Server Load Balancing

This feature allows access and authentication requests to be evenly across all RADIUS servers in a server group. For more information, see the “RADIUS Server Load Balancing” chapter of the “Cisco IOS Security Configuration Guide”, Release 12.2:

[http://www.ciscosystems.com/en/US/docs/ios/12\\_2sb/feature/guide/sbrldbl.html](http://www.ciscosystems.com/en/US/docs/ios/12_2sb/feature/guide/sbrldbl.html)

## Displaying the RADIUS Configuration

To display the RADIUS configuration, use the **show running-config** privileged EXEC command.

# Controlling Switch Access with Kerberos

This section describes how to enable and configure the Kerberos security system, which authenticates requests for network resources by using a trusted third party. To use this feature, the cryptographic (that is, supports encryption) version of the switch software must be installed on your switch. You must obtain authorization to use this feature and to download the cryptographic software files from Cisco.com. For more information, see the release notes for this release.

These sections contain this information:

- [Understanding Kerberos, page 8-32](#)
- [Kerberos Operation, page 8-34](#)
- [Configuring Kerberos, page 8-35](#)

For Kerberos configuration examples, see the “Kerberos Configuration Examples” section in the “Security Server Protocols” chapter of the *Cisco IOS Security Configuration Guide, Release 12.2*, at this URL:

[http://www.cisco.com/en/US/docs/ios/12\\_2/security/configuration/guide/scfkerb.html](http://www.cisco.com/en/US/docs/ios/12_2/security/configuration/guide/scfkerb.html)

For complete syntax and usage information for the commands used in this section, see the “Kerberos Commands” section in the “Security Server Protocols” chapter of the *Cisco IOS Security Command Reference, Release 12.2*, at this URL:

[http://www.cisco.com/en/US/docs/ios/12\\_2/security/command/reference/srfkerb.html#wpmkr1017438](http://www.cisco.com/en/US/docs/ios/12_2/security/command/reference/srfkerb.html#wpmkr1017438)



## Note

In the Kerberos configuration examples and in the *Cisco IOS Security Command Reference, Release 12.2*, the trusted third party can be a Cisco ME switch that supports Kerberos, that is configured as a network security server, and that can authenticate users by using the Kerberos protocol.

## Understanding Kerberos

Kerberos is a secret-key network authentication protocol, which was developed at the Massachusetts Institute of Technology (MIT). It uses the Data Encryption Standard (DES) cryptographic algorithm for encryption and authentication and authenticates requests for network resources. Kerberos uses the concept of a trusted third party to perform secure verification of users and services. This trusted third party is called the *key distribution center* (KDC).

Kerberos verifies that users are who they claim to be and the network services that they use are what the services claim to be. To do this, a KDC or trusted Kerberos server issues tickets to users. These tickets, which have a limited lifespan, are stored in user credential caches. The Kerberos server uses the tickets instead of usernames and passwords to authenticate users and network services.



## Note

A Kerberos server can be a Cisco ME switch that is configured as a network security server and that can authenticate users by using the Kerberos protocol.

The Kerberos credential scheme uses a process called *single logon*. This process authenticates a user once and then allows secure authentication (without encrypting another password) wherever that user credential is accepted.

This software release supports Kerberos 5, which allows organizations that are already using Kerberos 5 to use the same Kerberos authentication database on the KDC that they are already using on their other network hosts (such as UNIX servers and PCs).

In this software release, Kerberos supports these network services:

- Telnet
- rlogin
- rsh (Remote Shell Protocol)

Table 8-2 lists the common Kerberos-related terms and definitions:

**Table 8-2 Kerberos Terms**

Term	Definition
Authentication	A process by which a user or service identifies itself to another service. For example, a client can authenticate to a switch or a switch can authenticate to another switch.
Authorization	A means by which the switch identifies what privileges the user has in a network or on the switch and what actions the user can perform.
Credential	A general term that refers to authentication tickets, such as TGTs <sup>1</sup> and service credentials. Kerberos credentials verify the identity of a user or service. If a network service decides to trust the Kerberos server that issued a ticket, it can be used in place of re-entering a username and password. Credentials have a default lifespan of eight hours.
Instance	An authorization level label for Kerberos principals. Most Kerberos principals are of the form <i>user@REALM</i> (for example, smith@EXAMPLE.COM). A Kerberos principal with a Kerberos instance has the form <i>user/instance@REALM</i> (for example, smith/admin@EXAMPLE.COM). The Kerberos instance can be used to specify the authorization level for the user if authentication is successful. The server of each network service might implement and enforce the authorization mappings of Kerberos instances but is not required to do so.  <b>Note</b> The Kerberos principal and instance names <i>must</i> be in all lowercase characters.  <b>Note</b> The Kerberos realm name <i>must</i> be in all uppercase characters.
KDC <sup>2</sup>	Key distribution center that consists of a Kerberos server and database program that is running on a network host.
Kerberized	A term that describes applications and services that have been modified to support the Kerberos credential infrastructure.
Kerberos realm	A domain consisting of users, hosts, and network services that are registered to a Kerberos server. The Kerberos server is trusted to verify the identity of a user or network service to another user or network service.  <b>Note</b> The Kerberos realm name <i>must</i> be in all uppercase characters.
Kerberos server	A daemon that is running on a network host. Users and network services register their identity with the Kerberos server. Network services query the Kerberos server to authenticate to other network services.

Table 8-2 Kerberos Terms (continued)

Term	Definition
KEYTAB <sup>3</sup>	A password that a network service shares with the KDC. In Kerberos 5 and later Kerberos versions, the network service authenticates an encrypted service credential by using the KEYTAB to decrypt it. In Kerberos versions earlier than Kerberos 5, KEYTAB is referred to as SRVTAB <sup>4</sup> .
Principal	Also known as a Kerberos identity, this is who you are or what a service is according to the Kerberos server.  <b>Note</b> The Kerberos principal name <i>must</i> be in all lowercase characters.
Service credential	A credential for a network service. When issued from the KDC, this credential is encrypted with the password shared by the network service and the KDC. The password is also shared with the user TGT.
SRVTAB	A password that a network service shares with the KDC. In Kerberos 5 or later Kerberos versions, SRVTAB is referred to as KEYTAB.
TGT	Ticket granting ticket that is a credential that the KDC issues to authenticated users. When users receive a TGT, they can authenticate to network services within the Kerberos realm represented by the KDC.

1. TGT = ticket granting ticket
2. KDC = key distribution center
3. KEYTAB = key table
4. SRVTAB = server table

## Kerberos Operation

A Kerberos server can be a Cisco ME switch that is configured as a network security server and that can authenticate remote users by using the Kerberos protocol. Although you can customize Kerberos in a number of ways, remote users attempting to access network services must pass through three layers of security before they can access network services.

To authenticate to network services by using a Cisco ME switch as a Kerberos server, remote users must follow these steps:

1. [Authenticating to a Boundary Switch, page 8-34](#)
2. [Obtaining a TGT from a KDC, page 8-35](#)
3. [Authenticating to Network Services, page 8-35](#)

### Authenticating to a Boundary Switch

This section describes the first layer of security through which a remote user must pass. The user must first authenticate to the boundary switch. This process then occurs:

1. The user opens an un-Kerberized Telnet connection to the boundary switch.
2. The switch prompts the user for a username and password.
3. The switch requests a TGT from the KDC for this user.
4. The KDC sends an encrypted TGT that includes the user identity to the switch.



5. The switch attempts to decrypt the TGT by using the password that the user entered.
  - If the decryption is successful, the user is authenticated to the switch.
  - If the decryption is not successful, the user repeats Step 2 either by re-entering the username and password (noting if Caps Lock or Num Lock is on or off) or by entering a different username and password.

A remote user who initiates a un-Kerberized Telnet session and authenticates to a boundary switch is inside the firewall, but the user must still authenticate directly to the KDC before getting access to the network services. The user must authenticate to the KDC because the TGT that the KDC issues is stored on the switch and cannot be used for additional authentication until the user logs on to the switch.

## Obtaining a TGT from a KDC

This section describes the second layer of security through which a remote user must pass. The user must now authenticate to a KDC and obtain a TGT from the KDC to access network services.

For instructions about how to authenticate to a KDC, see the “Obtaining a TGT from a KDC” section in the “Security Server Protocols” chapter of the *Cisco IOS Security Configuration Guide, Release 12.2*, at this URL:

[http://www.cisco.com/en/US/docs/ios/12\\_2/security/configuration/guide/scfkerb.html](http://www.cisco.com/en/US/docs/ios/12_2/security/configuration/guide/scfkerb.html)

## Authenticating to Network Services

This section describes the third layer of security through which a remote user must pass. The user with a TGT must now authenticate to the network services in a Kerberos realm.

For instructions about how to authenticate to a network service, see the “Authenticating to Network Services” section in the “Security Server Protocols” chapter of the *Cisco IOS Security Configuration Guide, Release 12.2*, at this URL:

[http://www.cisco.com/en/US/docs/ios/12\\_2/security/configuration/guide/scfkerb.html](http://www.cisco.com/en/US/docs/ios/12_2/security/configuration/guide/scfkerb.html)

## Configuring Kerberos

So that remote users can authenticate to network services, you must configure the hosts and the KDC in the Kerberos realm to communicate and mutually authenticate users and network services. To do this, you must identify them to each other. You add entries for the hosts to the Kerberos database on the KDC and add KEYTAB files generated by the KDC to all hosts in the Kerberos realm. You also create entries for the users in the KDC database.

When you add or create entries for the hosts and users, follow these guidelines:

- The Kerberos principal name *must* be in all lowercase characters.
- The Kerberos instance name *must* be in all lowercase characters.
- The Kerberos realm name *must* be in all uppercase characters.



### Note

A Kerberos server can be a Cisco ME switch that is configured as a network security server and that can authenticate users by using the Kerberos protocol.

To set up a Kerberos-authenticated server-client system, follow these steps:

- Configure the KDC by using Kerberos commands.

- Configure the switch to use the Kerberos protocol.

For instructions, see the “Kerberos Configuration Task List” section in the “Security Server Protocols” chapter of the *Cisco IOS Security Configuration Guide, Release 12.2*, at this URL:

[http://www.cisco.com/en/US/docs/ios/12\\_2/security/configuration/guide/scfkerb.html](http://www.cisco.com/en/US/docs/ios/12_2/security/configuration/guide/scfkerb.html)

## Configuring the Switch for Local Authentication and Authorization

You can configure AAA to operate without a server by setting the switch to implement AAA in local mode. The switch then handles authentication and authorization. No accounting is available in this configuration.

Beginning in privileged EXEC mode, follow these steps to configure the switch for local AAA:

	Command	Purpose
Step 1	<b>configure terminal</b>	Enter global configuration mode.
Step 2	<b>aaa new-model</b>	Enable AAA.
Step 3	<b>aaa authentication login default local</b>	Set the login authentication to use the local username database. The <b>default</b> keyword applies the local user database authentication to all ports.
Step 4	<b>aaa authorization exec local</b>	Configure user AAA authorization, check the local database, and allow the user to run an EXEC shell.
Step 5	<b>aaa authorization network local</b>	Configure user AAA authorization for all network-related service requests.
Step 6	<b>username name [privilege level] {password encryption-type password}</b>	Enter the local database, and establish a username-based authentication system.  Repeat this command for each user. <ul style="list-style-type: none"> <li>• For <i>name</i>, specify the user ID as one word. Spaces and quotation marks are not allowed.</li> <li>• (Optional) For <i>level</i>, specify the privilege level the user has after gaining access. The range is 0 to 15. Level 15 gives privileged EXEC mode access. Level 0 gives user EXEC mode access.</li> <li>• For <i>encryption-type</i>, enter 0 to specify that an unencrypted password follows. Enter 7 to specify that a hidden password follows.</li> <li>• For <i>password</i>, specify the password the user must enter to gain access to the switch. The password must be from 1 to 25 characters, can contain embedded spaces, and must be the last option specified in the <b>username</b> command.</li> </ul>
Step 7	<b>end</b>	Return to privileged EXEC mode.
Step 8	<b>show running-config</b>	Verify your entries.
Step 9	<b>copy running-config startup-config</b>	(Optional) Save your entries in the configuration file.

To disable AAA, use the **no aaa new-model** global configuration command. To disable authorization, use the **no aaa authorization {network | exec} method1** global configuration command.

# Configuring the Switch for Secure Shell

This section describes how to configure the Secure Shell (SSH) feature. To use this feature, you must install the cryptographic (encrypted) software image on your switch. You must obtain authorization to use this feature and to download the cryptographic software files from Cisco.com. For more information, see the release notes for this release.

These sections contain this information:

- [Understanding SSH, page 8-37](#)
- [Configuring SSH, page 8-38](#)
- [Displaying the SSH Configuration and Status, page 8-40](#)

For SSH configuration examples, see the “SSH Configuration Examples” section in the “Configuring Secure Shell” chapter of the *Cisco IOS Security Configuration Guide, Cisco IOS Release 12.2*, at this URL:

[http://www.cisco.com/en/US/docs/ios/12\\_2/security/configuration/guide/scfssh.html](http://www.cisco.com/en/US/docs/ios/12_2/security/configuration/guide/scfssh.html)



## Note

For complete syntax and usage information for the commands used in this section, see the command reference for this release and the command reference for Cisco IOS Release 12.2 at this URL:

[http://www.cisco.com/en/US/docs/ios/12\\_2/security/command/reference/srfssh.html](http://www.cisco.com/en/US/docs/ios/12_2/security/command/reference/srfssh.html)

## Understanding SSH

SSH is a protocol that provides a secure, remote connection to a device. SSH provides more security for remote connections than Telnet does by providing strong encryption when a device is authenticated. This software release supports SSH Version 1 (SSHv1) and SSH Version 2 (SSHv2).

This section consists of these topics:

- [SSH Servers, Integrated Clients, and Supported Versions, page 8-37](#)
- [Limitations, page 8-38](#)

## SSH Servers, Integrated Clients, and Supported Versions

The SSH feature has an SSH server and an SSH integrated client, which are applications that run on the switch. You can use an SSH client to connect to a switch running the SSH server. The SSH server works with the SSH client supported in this release and with non-Cisco SSH clients. The SSH client also works with the SSH server supported in this release and with non-Cisco SSH servers.

The switch supports an SSHv1 or an SSHv2 server.

The switch supports an SSHv1 client.

SSH supports the Data Encryption Standard (DES) encryption algorithm, the Triple DES (3DES) encryption algorithm, and password-based user authentication.

SSH also supports these user authentication methods:

- TACACS+ (for more information, see the “[Controlling Switch Access with TACACS+](#)” section on [page 8-10](#))
- RADIUS (for more information, see the “[Controlling Switch Access with RADIUS](#)” section on [page 8-18](#))

- Local authentication and authorization (for more information, see the “[Configuring the Switch for Local Authentication and Authorization](#)” section on page 8-36)

**Note**

This software release does not support IP Security (IPSec).

## Limitations

These limitations apply to SSH:

- The switch supports Rivest, Shamir, and Adelman (RSA) authentication.
- SSH supports only the execution-shell application.
- The SSH server and the SSH client are supported only on DES (56-bit) and 3DES (168-bit) data encryption software.
- The switch supports the Advanced Encryption Standard (AES) encryption algorithm with a 128-bit key, 192-bit key, or 256-bit key. However, symmetric cipher AES to encrypt the keys is not supported.

## Configuring SSH

This section has this configuration information:

- [Configuration Guidelines](#), page 8-38
- [Setting Up the Switch to Run SSH](#), page 8-39 (required)
- [Configuring the SSH Server](#), page 8-40 (required only if you are configuring the switch as an SSH server)

## Configuration Guidelines

Follow these guidelines when configuring the switch as an SSH server or SSH client:

- An RSA key pair generated by a SSHv1 server can be used by an SSHv2 server, and the reverse.
- If you get CLI error messages after entering the **crypto key generate rsa** global configuration command, an RSA key pair has not been generated. Reconfigure the hostname and domain, and then enter the **crypto key generate rsa** command. For more information, see the “[Setting Up the Switch to Run SSH](#)” section on page 8-39.
- When generating the RSA key pair, the message `No host name specified` might appear. If it does, you must configure a hostname by using the **hostname** global configuration command.
- When generating the RSA key pair, the message `No domain specified` might appear. If it does, you must configure an IP domain name by using the **ip domain-name** global configuration command.
- When configuring the local authentication and authorization authentication method, make sure that AAA is disabled on the console.

## Setting Up the Switch to Run SSH

Follow these steps to set up your switch to run SSH:

1. Download the cryptographic software image from Cisco.com. This step is required. For more information, see the release notes for this release.
2. Configure a hostname and IP domain name for the switch. Follow this procedure only if you are configuring the switch as an SSH server.
3. Generate an RSA key pair for the switch, which automatically enables SSH. Follow this procedure only if you are configuring the switch as an SSH server.
4. Configure user authentication for local or remote access. This step is required. For more information, see the [“Configuring the Switch for Local Authentication and Authorization” section on page 8-36](#).

Beginning in privileged EXEC mode, follow these steps to configure a hostname and an IP domain name and to generate an RSA key pair. This procedure is required if you are configuring the switch as an SSH server.

	Command	Purpose
Step 1	<b>configure terminal</b>	Enter global configuration mode.
Step 2	<b>hostname</b> <i>hostname</i>	Configure a hostname for your switch.
Step 3	<b>ip domain-name</b> <i>domain_name</i>	Configure a host domain for your switch.
Step 4	<b>crypto key generate rsa</b>	Enable the SSH server for local and remote authentication on the switch and generate an RSA key pair.  We recommend that a minimum modulus size of 1024 bits.  When you generate RSA keys, you are prompted to enter a modulus length. A longer modulus length might be more secure, but it takes longer to generate and to use.
Step 5	<b>end</b>	Return to privileged EXEC mode.
Step 6	<b>show ip ssh</b>  or <b>show ssh</b>	Show the version and configuration information for your SSH server.  Show the status of the SSH server on the switch.
Step 7	<b>copy running-config startup-config</b>	(Optional) Save your entries in the configuration file.

To delete the RSA key pair, use the **crypto key zeroize rsa** global configuration command. After the RSA key pair is deleted, the SSH server is automatically disabled.

## Configuring the SSH Server

Beginning in privileged EXEC mode, follow these steps to configure the SSH server:

	Command	Purpose
Step 1	<b>configure terminal</b>	Enter global configuration mode.
Step 2	<b>ip ssh version [1   2]</b>	(Optional) Configure the switch to run SSH Version 1 or SSH Version 2. <ul style="list-style-type: none"> <li>• <b>1</b>—Configure the switch to run SSH Version 1.</li> <li>• <b>2</b>—Configure the switch to run SSH Version 2.</li> </ul> If you do not enter this command or do not specify a keyword, the SSH server selects the latest SSH version supported by the SSH client. For example, if the SSH client supports SSHv1 and SSHv2, the SSH server selects SSHv2.
Step 3	<b>ip ssh {timeout seconds   authentication-retries number}</b>	Configure the SSH control parameters: <ul style="list-style-type: none"> <li>• Specify the time-out value in seconds; the default is 120 seconds. The range is 0 to 120 seconds. This parameter applies to the SSH negotiation phase. After the connection is established, the switch uses the default time-out values of the CLI-based sessions.</li> </ul> By default, up to five simultaneous, encrypted SSH connections for multiple CLI-based sessions over the network are available (session 0 to session 4). After the execution shell starts, the CLI-based session time-out value returns to the default of 10 minutes. <ul style="list-style-type: none"> <li>• Specify the number of times that a client can re-authenticate to the server. The default is 3; the range is 0 to 5.</li> </ul> Repeat this step when configuring both parameters.
Step 4	<b>end</b>	Return to privileged EXEC mode.
Step 5	<b>show ip ssh</b> or <b>show ssh</b>	Show the version and configuration information for your SSH server.  Show the status of the SSH server connections on the switch.
Step 6	<b>copy running-config startup-config</b>	(Optional) Save your entries in the configuration file.

To return to the default SSH control parameters, use the **no ip ssh {timeout | authentication-retries}** global configuration command.

## Displaying the SSH Configuration and Status

To display the SSH server configuration and status, use one or more of the privileged EXEC commands in [Table 8-3](#):

**Table 8-3** Commands for Displaying the SSH Server Configuration and Status

Command	Purpose
<b>show ip ssh</b>	Shows the version and configuration information for the SSH server.
<b>show ssh</b>	Shows the status of the SSH server.

For more information about these commands, see the “Secure Shell Commands” section in the “Other Security Features” chapter of the *Cisco IOS Security Command Reference, Cisco IOS Release 12.2*, at this URL:

[http://www.cisco.com/en/US/docs/ios/12\\_2/security/command/reference/srfssh.html](http://www.cisco.com/en/US/docs/ios/12_2/security/command/reference/srfssh.html)

## Configuring the Switch for Secure Copy Protocol

The Secure Copy Protocol (SCP) feature provides a secure and authenticated method for copying switch configurations or switch image files. SCP relies on Secure Shell (SSH), an application and a protocol that provides a secure replacement for the Berkeley r-tools.

For SSH to work, the switch needs an RSA public/private key pair. This is the same with SCP, which relies on SSH for its secure transport.

Because SSH also relies on AAA authentication, and SCP relies further on AAA authorization, correct configuration is necessary.

- Before enabling SCP, you must correctly configure SSH, authentication, and authorization on the switch.
- Because SCP relies on SSH for its secure transport, the router must have an Rivest, Shamir, and Adelman (RSA) key pair.



### Note

When using SCP, you cannot enter the password into the copy command. You must enter the password when prompted.

### Information About Secure Copy

To configure the Secure Copy feature, you should understand these concepts.

- The behavior of SCP is similar to that of remote copy (rcp), which comes from the Berkeley r-tools suite, except that SCP relies on SSH for security. SCP also requires that authentication, authorization, and accounting (AAA) authorization be configured so the router can determine whether the user has the correct privilege level.
- A user who has appropriate authorization can use SCP to copy any file in the Cisco IOS File System (IFS) to and from a switch by using the **copy** command. An authorized administrator can also do this from a workstation.

For information about how to configure and verify SCP, see the "Secure Copy Protocol" section in the *Cisco IOS Security Configuration Guide: Securing User Services, Release 12.4*:

[http://www.cisco.com/en/US/docs/ios/sec\\_user\\_services/configuration/guide/sec\\_secure\\_copy\\_ps6350\\_TSD\\_Products\\_Configuration\\_Guide\\_Chapter.html](http://www.cisco.com/en/US/docs/ios/sec_user_services/configuration/guide/sec_secure_copy_ps6350_TSD_Products_Configuration_Guide_Chapter.html)







## CHAPTER 9

# Configuring IEEE 802.1x Port-Based Authentication

This chapter describes how to configure IEEE 802.1x port-based authentication on the Cisco ME 3400E Ethernet Access switch. As LANs extend to hotels, airports, and corporate lobbies and create insecure environments, 802.1x prevents unauthorized devices (clients) from gaining access to the network.

For complete syntax and usage information for the commands used in this chapter, see the command reference for this release.



Note

Some IEEE 802.1x (**dot1x**) commands are visible on the switch but are not supported. For a list of unsupported commands see [Appendix C, “Unsupported Commands in Cisco IOS Release 12.2\(55\)SE.”](#)

This chapter consists of these sections:

- [Understanding IEEE 802.1x Port-Based Authentication, page 9-1](#)
- [Configuring IEEE 802.1x Authentication, page 9-12](#)
- [Displaying 802.1x Statistics and Status, page 9-27](#)

## Understanding IEEE 802.1x Port-Based Authentication

The IEEE 802.1x standard defines a client-server-based access control and authentication protocol that prevents unauthorized clients from connecting to a LAN through publicly accessible ports unless they are properly authenticated. The authentication server authenticates each client connected to a switch port before making available any services offered by the switch or the LAN.

Until the client is authenticated, 802.1x access control allows only Extensible Authentication Protocol over LAN (EAPOL), Cisco Discovery Protocol (CDP), and Spanning Tree Protocol (STP) traffic through the port to which the client is connected. After authentication is successful, normal traffic can pass through the port.



Note

CDP and STP are supported by default on network node interfaces (NNIs). You can enable CDP and STP on enhanced network interfaces (ENIs). User network nodes (UNIs) do not support CDP or STP.

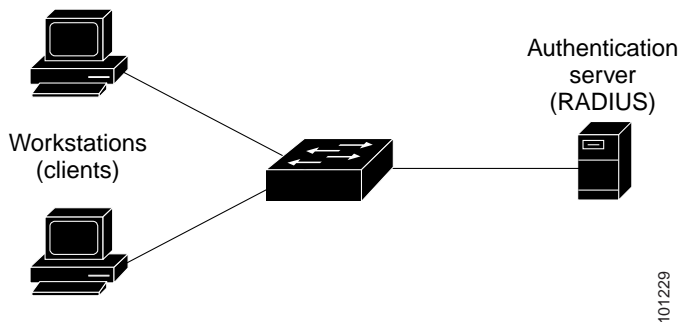
These sections describe 802.1x port-based authentication:

- [Device Roles, page 9-2](#)
- [Authentication Initiation and Message Exchange, page 9-3](#)
- [Ports in Authorized and Unauthorized States, page 9-4](#)
- [802.1x Accounting, page 9-5](#)
- [802.1x Accounting Attribute-Value Pairs, page 9-5](#)
- [802.1x Host Mode, page 9-6](#)
- [802.1x Readiness Check, page 9-7](#)
- [802.1x with Port Security, page 9-7](#)
- [802.1x with VLAN Assignment, page 9-8](#)
- [802.1x User Distribution, page 9-9](#)
- [802.1x Supplicant and Authenticator Switches with Network Edge Access Topology \(NEAT\), page 9-10](#)
- [Common Session ID, page 9-11](#)

## Device Roles

With 802.1x port-based authentication, the devices in the network have specific roles as shown in [Figure 9-1](#).

**Figure 9-1** 802.1x Device Roles



- *Client*—the device (workstation) that requests access to the LAN and switch services and responds to requests from the switch. The workstation must be running 802.1x-compliant client software such as that offered in the Microsoft Windows XP operating system. (The client is the *supplicant* in the 802.1x specification.)



**Note**

To resolve Windows XP network connectivity and 802.1x authentication issues, read the Microsoft Knowledge Base article at this URL:  
<http://support.microsoft.com/support/kb/articles/Q303/5/97.ASP>

- *Authentication server*—performs the actual authentication of the client. The authentication server validates the identity of the client and notifies the switch whether or not the client is authorized to access the LAN and switch services. Because the switch acts as the proxy, the authentication service is transparent to the client. In this release, the RADIUS security system with Extensible Authentication Protocol (EAP) extensions is the only supported authentication server. It is available in Cisco Secure Access Control Server Version 3.0 or later. RADIUS operates in a client/server model in which secure authentication information is exchanged between the RADIUS server and one or more RADIUS clients.
- *Switch* (edge switch or wireless access point)—controls the physical access to the network based on the authentication status of the client. The switch acts as an intermediary (proxy) between the client and the authentication server, requesting identity information from the client, verifying that information with the authentication server, and relaying a response to the client. The switch includes the RADIUS client, which is responsible for encapsulating and decapsulating the EAP frames and interacting with the authentication server.

When the switch receives EAPOL frames and relays them to the authentication server, the Ethernet header is stripped, and the remaining EAP frame is re-encapsulated in the RADIUS format. The EAP frames are not modified during encapsulation, and the authentication server must support EAP within the native frame format. When the switch receives frames from the authentication server, the server's frame header is removed, leaving the EAP frame, which is then encapsulated for Ethernet and sent to the client.

## Authentication Initiation and Message Exchange

The switch or the client can initiate authentication. If you enable authentication on a port by using the **dot1x port-control auto** interface configuration command, the switch initiates authentication when the link state changes from down to up or periodically as long as the port remains up and unauthenticated. The switch sends an EAP-request/identity frame to the client to request its identity. Upon receipt of the frame, the client responds with an EAP-response/identity frame.

However, if during bootup, the client does not receive an EAP-request/identity frame from the switch, the client can initiate authentication by sending an EAPOL-start frame, which prompts the switch to request the client's identity.



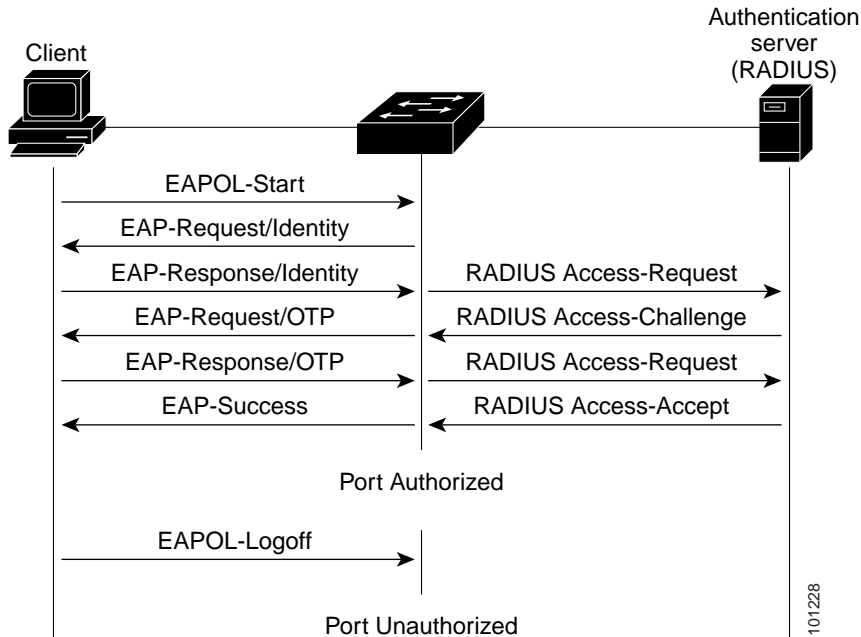
### Note

If 802.1x is not enabled or supported on the network access device, any EAPOL frames from the client are dropped. If the client does not receive an EAP-request/identity frame after three attempts to start authentication, the client sends frames as if the port is in the authorized state. A port in the authorized state effectively means that the client has been successfully authenticated. For more information, see the [“Ports in Authorized and Unauthorized States”](#) section on page 9-4.

When the client supplies its identity, the switch begins its role as the intermediary, passing EAP frames between the client and the authentication server until authentication succeeds or fails. If the authentication succeeds, the switch port becomes authorized. For more information, see the [“Ports in Authorized and Unauthorized States”](#) section on page 9-4.

The specific exchange of EAP frames depends on the authentication method being used. [Figure 9-2](#) shows a message exchange initiated by the client when the client uses the One-Time-Password (OTP) authentication method with a RADIUS server.

Figure 9-2 Message Exchange



## Ports in Authorized and Unauthorized States

Depending on the switch port state, the switch can grant a client access to the network. The port starts in the *unauthorized* state. While in this state, the port disallows all incoming and outgoing traffic except for 802.1x, CDP, and STP packets. When a client is successfully authenticated, the port changes to the *authorized* state, allowing all traffic for the client to flow normally.

If a client that does not support 802.1x connects to an unauthorized 802.1x port, the switch requests the client's identity. In this situation, the client does not respond to the request, the port remains in the unauthorized state, and the client is not granted access to the network.

In contrast, when an 802.1x-enabled client connects to a port that is not running the 802.1x standard, the client initiates the authentication process by sending the EAPOL-start frame. When no response is received, the client sends the request for a fixed number of times. Because no response is received, the client begins sending frames as if the port is in the authorized state.

You control the port authorization state by using the **dot1x port-control** interface configuration command and these keywords:

- **force-authorized**—disables 802.1x authentication and causes the port to change to the authorized state without any authentication exchange required. The port sends and receives normal traffic without 802.1x-based authentication of the client. This is the default setting.
- **force-unauthorized**—causes the port to remain in the unauthorized state, ignoring all attempts by the client to authenticate. The switch cannot provide authentication services to the client through the port.
- **auto**—enables 802.1x authentication and causes the port to begin in the unauthorized state, allowing only EAPOL frames to be sent and received through the port. The authentication process begins when the link state of the port changes from down to up or when an EAPOL-start frame is received. The switch requests the identity of the client and begins relaying authentication messages between the client and the authentication server. Each client attempting to access the network is uniquely identified by the switch by using the client MAC address.

If the client is successfully authenticated (receives an Accept frame from the authentication server), the port state changes to authorized, and all frames from the authenticated client are allowed through the port. If the authentication fails, the port remains in the unauthorized state, but authentication can be retried. If the authentication server cannot be reached, the switch can resend the request. If no response is received from the server after the specified number of attempts, authentication fails, and network access is not granted.

When a client logs off, it sends an EAPOL-logoff message, causing the switch port to change to the unauthorized state.

If the link state of a port changes from up to down, or if an EAPOL-logoff frame is received, the port returns to the unauthorized state.

## 802.1x Accounting

The 802.1x standard defines how users are authorized and authenticated for network access but does not keep track of network usage. 802.1x accounting is disabled by default. You can enable 802.1x accounting to monitor this activity on 802.1x-enabled ports:

- User successfully authenticates.
- User logs off.
- Link-down occurs.
- Re-authentication successfully occurs.
- Re-authentication fails.

The switch does not log 802.1x accounting information. Instead, it sends this information to the RADIUS server, which must be configured to log accounting messages.

## 802.1x Accounting Attribute-Value Pairs

The information sent to the RADIUS server is represented in the form of Attribute-Value (AV) pairs. These AV pairs provide data for different applications. (For example, a billing application might require information that is contained within the Acct-Input-Octets or the Acct-Output-Octets of a packet.)

You do not need to configure AV pairs. These are automatically sent by a switch that is configured for 802.1x accounting. [Table 9-1](#) lists the AV pairs that might be sent by the switch:

**Table 9-1** Accounting AV Pairs

Attribute number	AV pair name
Attribute[1]	User-Name
Attribute[4]	NAS-IP-Address
Attribute[5]	NAS-Port
Attribute[6]	NAS-Port-Type
Attribute[8]	Framed-IP-Address
Attribute[25]	Class
Attribute[30]	Called-Station-ID
Attribute[31]	Calling-Station-ID

**Table 9-1 Accounting AV Pairs (continued)**

Attribute number	AV pair name
Attribute[40]	Acct-Status-Type
Attribute[41]	Acct-Delay-Time
Attribute[42]	Acct-Input-Octets
Attribute[43]	Acct-Output-Octets
Attribute[44]	Acct-Session-ID
Attribute[45]	Acct-Authentic
Attribute[46]	Acct-Session-Time
Attribute[49]	Acct-Terminate-Cause

You can view the AV pairs that are being sent by the switch by enabling the **debug radius accounting** or **debug aaa accounting** privileged EXEC commands. For more information about these commands, see the *Cisco IOS Debug Command Reference, Release 12.2* at this URL:

[http://www.cisco.com/en/US/docs/ios/12\\_2/debug/command/reference/122debug.html](http://www.cisco.com/en/US/docs/ios/12_2/debug/command/reference/122debug.html)

See RFC 3580, “IEEE 802.1X Remote Authentication Dial In User Service (RADIUS) Usage Guidelines,” for more information about AV pairs.

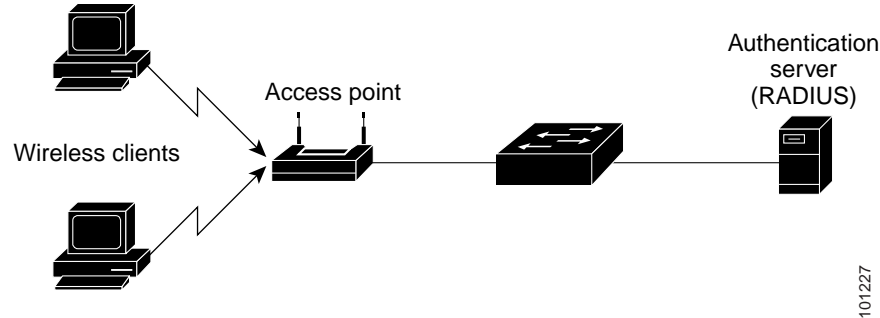
## 802.1x Host Mode

You can configure an 802.1x port for single-host or for multiple-hosts mode. In single-host mode (see [Figure 9-1 on page 9-2](#)), only one client can be connected to the 802.1x-enabled switch port. The switch detects the client by sending an EAPOL frame when the port link state changes to the up state. If a client leaves or is replaced with another client, the switch changes the port link state to down, and the port returns to the unauthorized state.

In multiple-hosts mode, you can attach multiple hosts to a single 802.1x-enabled port. [Figure 9-3 on page 9-7](#) shows 802.1x port-based authentication in a wireless LAN. In this mode, only one of the attached clients must be authorized for all clients to be granted network access. If the port becomes unauthorized (re-authentication fails or an EAPOL-logoff message is received), the switch denies network access to all of the attached clients. In this topology, the wireless access point is responsible for authenticating the clients attached to it, and it also acts as a client to the switch.

With the multiple-hosts mode enabled, you can use 802.1x to authenticate the port and port security to manage network access for all MAC addresses, including that of the client.

Figure 9-3 Multiple Host Mode Example



## 802.1x Readiness Check

The 802.1x readiness check monitors 802.1x activity on all the switch ports and displays information about the devices connected to the ports that support 802.1x. You can use this feature to determine if the devices connected to the switch ports are 802.1x-capable. You use an alternate authentication for the devices that do not support 802.1x functionality.

This feature only works if the supplicant on the client supports a query with the NOTIFY EAP notification packet. The client must respond within the 802.1x timeout value.

For information on configuring the switch for the 802.1x readiness check, see the [“Configuring 802.1x Readiness Check”](#) section on page 9-17.

## 802.1x with Port Security

You can configure an 802.1x port with port security in either single-host or multiple-hosts mode. (You also must configure port security on the port by using the **switchport port-security** interface configuration command.) When you enable port security and 802.1x on a port, 802.1x authenticates the port, and port security manages network access for all MAC addresses, including that of the client. You can then limit the number or group of clients that can access the network through an 802.1x port.

These are some examples of the interaction between 802.1x and port security on the switch:

- When a client is authenticated, and the port security table is not full, the client MAC address is added to the port security list of secure hosts. The port then proceeds to come up normally.

When a client is authenticated and manually configured for port security, it is guaranteed an entry in the secure host table (unless port security static aging has been enabled).

A security violation occurs if the client is authenticated, but the port security table is full. This can happen if the maximum number of secure hosts has been statically configured or if the client ages out of the secure host table. If the client address is aged, its place in the secure host table can be taken by another host.

If the security violation is caused by the first authenticated host, the port becomes error-disabled and immediately shuts down.

The port security violation modes determine the action for security violations. For more information, see the [“Security Violations”](#) section on page 23-9.

- When you manually remove an 802.1x client address from the port security table by using the **no switchport port-security mac-address *mac-address*** interface configuration command, you should re-authenticate the 802.1x client by using the **dot1x re-authenticate interface *interface-id*** privileged EXEC command.
- When an 802.1x client logs off, the port changes to an unauthenticated state, and all dynamic entries in the secure host table are cleared, including the entry for the client. Normal authentication then takes place.
- If the port is administratively shut down, the port becomes unauthenticated, and all dynamic entries are removed from the secure host table.
- You can configure the **dot1x violation-mode** interface configuration command so that a port shuts down, generates a syslog error, or discards packets from a new device when it connects to an IEEE 802.1x-enabled port or when the maximum number of allowed devices have been authenticated. For more information see the [“Maximum Number of Allowed Devices Per Port” section on page 9-14](#) and the command reference for this release.

For more information about enabling port security on your switch, see the [“Configuring Port Security” section on page 23-8](#).

## 802.1x with VLAN Assignment

The RADIUS server sends the VLAN assignment to configure the switch port. The RADIUS server database maintains the username-to-VLAN mappings, assigning the VLAN based on the username of the client connected to the switch port. You can use this feature to limit network access for certain users.

When configured on the switch and the RADIUS server, 802.1x with VLAN assignment has these characteristics:

- If no VLAN is supplied by the RADIUS server or if 802.1x authorization is disabled, the port is configured in its access VLAN after successful authentication.
- If 802.1x authorization is enabled but the VLAN information from the RADIUS server is not valid, the port returns to the unauthorized state and remains in the configured access VLAN. This prevents ports from appearing unexpectedly in an inappropriate VLAN because of a configuration error. Configuration errors could include specifying a VLAN for a routed port, a malformed VLAN ID, or a nonexistent or internal (routed port) VLAN ID.
- If 802.1x authorization is enabled and all information from the RADIUS server is valid, the port is placed in the specified VLAN after authentication.
- If the multiple-hosts mode is enabled on an 802.1x port, all hosts are placed in the same VLAN (specified by the RADIUS server) as the first authenticated host.
- If 802.1x and port security are enabled on a port, the port is placed in the RADIUS server-assigned VLAN.
- If 802.1x is disabled on the port, it is returned to the configured access VLAN.

When the port is in the force authorized, the force unauthorized, the unauthorized, or the shutdown state, it is put into the configured access VLAN.

If an 802.1x port is authenticated and put in the RADIUS server-assigned VLAN, any change to the port access VLAN configuration does not take effect.

The 802.1x with VLAN assignment feature is not supported on trunk ports or with dynamic-access port assignment through a VLAN Membership Policy Server (VMPS).



To configure VLAN assignment you need to perform these tasks:

- Enable AAA authorization by using the **network** keyword to allow interface configuration from the RADIUS server.
- Enable 802.1x. (The VLAN assignment feature is automatically enabled when you configure 802.1x on an access port).
- Assign vendor-specific tunnel attributes in the RADIUS server. The RADIUS server must return these attributes to the switch:
  - [64] Tunnel-Type = VLAN
  - [65] Tunnel-Medium-Type = 802
  - [81] Tunnel-Private-Group-ID = VLAN name or VLAN ID

Attribute[64] must contain the value *VLAN* (type 13). Attribute[65] must contain the value *802* (type 6). Attribute[81] specifies the *VLAN name* or *VLAN ID* assigned to the 802.1x-authenticated user.

For examples of tunnel attributes, see the [“Configuring the Switch to Use Vendor-Specific RADIUS Attributes” section on page 8-29](#).

## 802.1x User Distribution

You can configure 802.1x user distribution to load-balance users with the same group name across multiple different VLANs.

The VLANs are either supplied by the RADIUS server or configured through the switch CLI under a VLAN group name.

- Configure the RADIUS server to send more than one VLAN name for a user. The multiple VLAN names can be sent as part of the response to the user. The 802.1x user distribution tracks all the users in a particular VLAN and achieves load balancing by moving the authorized user to the least populated VLAN.
- Configure the RADIUS server to send a VLAN group name for a user. The VLAN group name can be sent as part of the response to the user. You can search for the selected VLAN group name among the VLAN group names that you configured by using the switch CLI. If the VLAN group name is found, the corresponding VLANs under this VLAN group name are searched to find the least populated VLAN. Load balancing is achieved by moving the corresponding authorized user to that VLAN.



---

**Note** The RADIUS server can send the VLAN information in any combination of VLAN-IDs, VLAN names, or VLAN groups.

---

### 802.1x User Distribution Configuration Guidelines

- Confirm that at least one VLAN is mapped to the VLAN group.
- You can map more than one VLAN to a VLAN group.
- You can modify the VLAN group by adding or deleting a VLAN.
- When you clear an existing VLAN from the VLAN group name, none of the authenticated ports in the VLAN are cleared, but the mappings are removed from the existing VLAN group.
- If you clear the last VLAN from the VLAN group name, the VLAN group is cleared.

- You can clear a VLAN group even when the active VLANs are mapped to the group. When you clear a VLAN group, none of the ports or users that are in the authenticated state in any VLAN within the group are cleared, but the VLAN mappings to the VLAN group are cleared.

For more information, see the “[Configuring 802.1x User Distribution](#)” section on page 9-24.

## 802.1x Supplicant and Authenticator Switches with Network Edge Access Topology (NEAT)

The Network Edge Access Topology (NEAT) feature extends identity to areas outside the wiring closet (such as conference rooms). This allows any type of device to authenticate on the port.

- 802.1x switch supplicant: You can configure a switch to act as a supplicant to another switch by using the 802.1x supplicant feature. This configuration is helpful in a scenario, where, for example, a switch is outside a wiring closet and is connected to an upstream switch through a trunk port. A switch configured with the 802.1x switch supplicant feature authenticates with the upstream switch for secure connectivity.

Once the supplicant switch authenticates successfully the port mode changes from access to trunk.

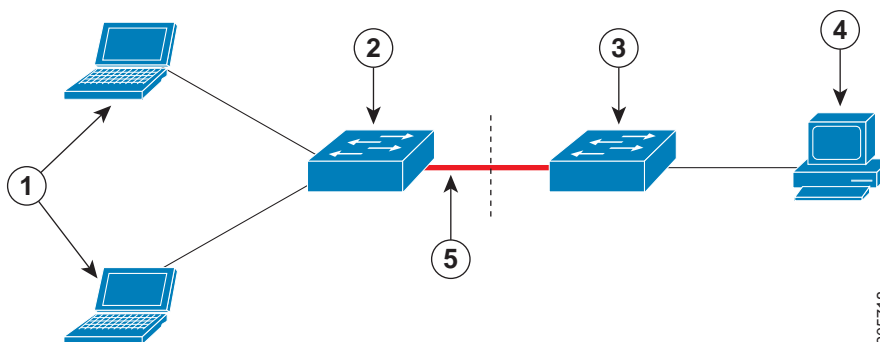
- If the access VLAN is configured on the authenticator switch, it becomes the native VLAN for the trunk port after successful authentication.

You can enable MDA or multiauth mode on the authenticator switch interface that connects to one more supplicant switches. Multihost mode is not supported on the authenticator switch interface.

Use the **dot1x supplicant force-multicast** global configuration command on the supplicant switch for Network Edge Access Topology (NEAT) to work in all host modes.

- Host Authorization: Ensures that only traffic from authorized hosts (connecting to the switch with supplicant) is allowed on the network. The switches use Client Information Signalling Protocol (CISP) to send the MAC addresses connecting to the supplicant switch to the authenticator switch, as shown in [Figure 9-4](#).
- Auto enablement: Automatically enables trunk configuration on the authenticator switch, allowing user traffic from multiple VLANs coming from supplicant switches. Configure the `cisco-av-pair as device-traffic-class=switch` at the ACS. (You can configure this under the `group` or the `user` settings.)

**Figure 9-4** Authenticator and Supplicant Switch using CISP



205718

1	Workstations (clients)	2	Supplicant switch (outside wiring closet)
3	Authenticator switch	4	Access control server (ACS)
5	Trunk port		

## Guidelines

- You can configure NEAT ports with the same configurations as the other authentication ports. When the supplicant switch authenticates, the port mode is changed from *access* to *trunk* based on the switch vendor-specific attributes (VSAs). (`device-traffic-class=switch`).
- The VSA changes the authenticator switch port mode from *access* to *trunk* and enables 802.1x trunk encapsulation and the access VLAN if any would be converted to a native trunk VLAN. VSA does not change any of the port configurations on the supplicant
- To change the host mode *and* the apply a standard port configuration on the authenticator switch port, you can also use AutoSmart ports user-defined macros, instead of the switch VSA. This allows you to remove unsupported configurations on the authenticator switch port and to change the port mode from *access* to *trunk*. For more information, see [Chapter 11, “Configuring Command Macros”](#).

For more information, see the [“Configuring an Authenticator and a Supplicant Switch with NEAT” section on page 9-25](#).

## Common Session ID

Authentication manager uses a single session ID (referred to as a common session ID) for a client no matter which authentication method is used. This ID is used for all reporting purposes, such as the show commands and MIBs. The session ID appears with all per-session syslog messages.

The session ID includes:

- The IP address of the Network Access Device (NAD)
- A monotonically increasing unique 32 bit integer
- The session start time stamp (a 32 bit integer)

This example shows how the session ID appears in the output of the show authentication command. The session ID in this example is 160000050000000B288508E5:

```
Switch# show authentication sessions
Interface  MAC Address      Method  Domain  Status      Session ID
Fa4/0/4    0000.0000.0203  mab     DATA   Authz Success 160000050000000B288508E5
```

This is an example of how the session ID appears in the syslog output. The session ID in this example is also 160000050000000B288508E5:

```
1w0d: %AUTHMGR-5-START: Starting 'mab' for client (0000.0000.0203) on Interface Fa4/0/4
AuditSessionID 160000050000000B288508E5
1w0d: %MAB-5-SUCCESS: Authentication successful for client (0000.0000.0203) on Interface
Fa4/0/4 AuditSessionID 160000050000000B288508E5
1w0d: %AUTHMGR-7-RESULT: Authentication result 'success' from 'mab' for client
(0000.0000.0203) on Interface Fa4/0/4 AuditSessionID 160000050000000B288508E5
```

The session ID is used by the NAD, the AAA server, and other report-analyzing applications to identify the client. The ID appears automatically. No configuration is required.

# Configuring IEEE 802.1x Authentication

These sections contain this configuration information:

- [Default 802.1x Configuration, page 9-12](#)
- [802.1x Configuration Guidelines, page 9-13](#)
- [Configuring Periodic Re-Authentication, page 9-18](#) (required)
- [Configuring the Switch-to-RADIUS-Server Communication, page 9-15](#) (required)
- [Configuring 802.1x Readiness Check, page 9-17](#)(optional)
- [Configuring 802.1x Violation Modes, page 9-18](#) (optional)
- [Configuring Periodic Re-Authentication, page 9-18](#) (optional)
- [Manually Re-Authenticating a Client Connected to a Port, page 9-19](#) (optional)
- [Changing the Quiet Period, page 9-19](#) (optional)
- [Changing the Switch-to-Client Retransmission Time, page 9-20](#) (optional)
- [Setting the Switch-to-Client Frame-Retransmission Number, page 9-21](#) (optional)
- [Setting the Re-Authentication Number, page 9-22](#) (optional)
- [Configuring the Host Mode, page 9-22](#) (optional)
- [Resetting the 802.1x Configuration to the Default Values, page 9-23](#) (optional)
- [Configuring 802.1x Accounting, page 9-23](#) (optional)
- [Configuring 802.1x User Distribution, page 9-24](#) (optional)
- [Configuring an Authenticator and a Supplicant Switch with NEAT, page 9-25](#) (optional)

## Default 802.1x Configuration

Table 9-2 shows the default 802.1x configuration.

**Table 9-2**      *Default 802.1x Configuration*

Feature	Default Setting
AAA	Disabled.
RADIUS server <ul style="list-style-type: none"> <li>• IP address</li> <li>• UDP authentication port</li> <li>• Key</li> </ul>	<ul style="list-style-type: none"> <li>• None specified.</li> <li>• 1812.</li> <li>• None specified.</li> </ul>
Switch 802.1x enable state	Disabled.
Per-port 802.1x enable state	Disabled (force-authorized). The port sends and receives normal traffic without 802.1x-based authentication of the client.
Periodic re-authentication	Disabled.
Number of seconds between re-authentication attempts	3600 seconds.

**Table 9-2** *Default 802.1x Configuration (continued)*

Feature	Default Setting
Re-authentication number	2 times (number of times that the switch restarts the authentication process before the port changes to the unauthorized state).
Quiet period	60 seconds (number of seconds that the switch remains in the quiet state following a failed authentication exchange with the client).
Retransmission time	30 seconds (number of seconds that the switch should wait for a response to an EAP request/identity frame from the client before resending the request).
Maximum retransmission number	2 times (number of times that the switch will send an EAP-request/identity frame before restarting the authentication process).
Host mode	Single-host mode.
Client timeout period	30 seconds (when relaying a request from the authentication server to the client, the amount of time the switch waits for a response before resending the request to the client.)
Authentication server timeout period	30 seconds (when relaying a response from the client to the authentication server, the amount of time the switch waits for a reply before resending the response to the server.)  You can change this timeout period by using the <b>dot1x timeout server-timeout</b> interface configuration command.

## 802.1x Configuration Guidelines

These are the 802.1x authentication configuration guidelines:

- When 802.1x is enabled, ports are authenticated before any other Layer 2 or Layer 3 features are enabled.
- The 802.1x protocol is supported on Layer 2 static-access ports and Layer 3 routed ports, but it is not supported on these port types:
  - Trunk port—If you try to enable 802.1x on a trunk port, an error message appears, and 802.1x is not enabled. If you try to change the mode of an 802.1x-enabled port to trunk, an error message appears, and the port mode is not changed.
  - Dynamic-access ports—If you try to enable 802.1x on a dynamic-access (VLAN Query Protocol [VQP]) port, an error message appears, and 802.1x is not enabled. If you try to change an 802.1x-enabled port to dynamic VLAN assignment, an error message appears, and the VLAN configuration is not changed.
  - EtherChannel port—Do not configure a port that is an active or a not-yet-active member of an EtherChannel as an 802.1x port. If you try to enable 802.1x on an EtherChannel port, an error message appears, and 802.1x is not enabled.

- Switched Port Analyzer (SPAN) and Remote SPAN (RSPAN) destination ports—You can enable 802.1x on a port that is a SPAN or RSPAN destination port. However, 802.1x is disabled until the port is removed as a SPAN or RSPAN destination port. You can enable 802.1x on a SPAN or RSPAN source port.
- You can configure any VLAN except an RSPAN VLAN or a private VLAN.
- The 802.1x with VLAN assignment feature is not supported on private-VLAN ports, trunk ports, or ports with dynamic-access port assignment through a VMPS.
- You can configure 802.1x on a private-VLAN port, but do not configure 802.1x with port security on private-VLAN ports.
- Before globally enabling 802.1x on a switch by entering the **dot1x system-auth-control** global configuration command, remove the EtherChannel configuration from the interfaces on which 802.1x and EtherChannel are configured.

Beginning with Cisco IOS Release 12.2(55)SE, you can filter out verbose system messages generated by the authentication manager. The filtered content typically relates to authentication success. You can also filter verbose messages for 802.1x authentication and MAB authentication. There is a separate command for each authentication method:

- The **no authentication logging verbose** global configuration command filters verbose messages from the authentication manager.
- The **no dot1x logging verbose** global configuration command filters 802.1x authentication verbose messages.
- The **no mab logging verbose** global configuration command filters MAC authentication bypass (MAB) verbose messages.

For more information, see the command reference for this release.

## Maximum Number of Allowed Devices Per Port

This is the maximum number of devices allowed on an 802.1x-enabled port:

- In single-host mode, only one device is allowed on the access VLAN. If the port is also configured with a voice VLAN, an unlimited number of Cisco IP phones can send and receive traffic through the voice VLAN.
- In multihost mode, only one 802.1x supplicant is allowed on the port, but an unlimited number of non-802.1x hosts are allowed on the access VLAN. An unlimited number of devices are allowed on the voice VLAN.

## Configuring 802.1x Authentication

To configure 802.1x port-based authentication, you must enable authentication, authorization, and accounting (AAA) and specify the authentication method list. A method list describes the sequence and authentication method to be queried to authenticate a user.

To allow VLAN assignment, you must enable AAA authorization to configure the switch for all network-related service requests.

This is the 802.1x AAA process:

- 
- Step 1 A user connects to a port on the switch.
  - Step 2 Authentication is performed.

- Step 3** VLAN assignment is enabled, as appropriate, based on the RADIUS server configuration.
- Step 4** The switch sends a start message to an accounting server.
- Step 5** Re-authentication is performed, as necessary.
- Step 6** The switch sends an interim accounting update to the accounting server that is based on the result of re-authentication.
- Step 7** The user disconnects from the port.
- Step 8** The switch sends a stop message to the accounting server.

Beginning in privileged EXEC mode, follow these steps to configure 802.1x port-based authentication:

	Command	Purpose
Step 1	<b>configure terminal</b>	Enter global configuration mode.
Step 2	<b>aaa new-model</b>	Enable AAA.
Step 3	<b>aaa authentication dot1x {default} method1</b>	<p>Create an 802.1x authentication method list.</p> <p>To create a default list that is used when a named list is <i>not</i> specified in the <b>authentication</b> command, use the <b>default</b> keyword followed by the method that is to be used in default situations. The default method list is automatically applied to all ports.</p> <p>For <i>method1</i>, enter the <b>group radius</b> keywords to use the list of all RADIUS servers for authentication.</p> <p><b>Note</b> Though other keywords are visible in the command-line help string, only the <b>group radius</b> keywords are supported.</p>
Step 4	<b>dot1x system-auth-control</b>	Enable 802.1x authentication globally on the switch.
Step 5	<b>aaa authorization network {default} group radius</b>	(Optional) Configure the switch for user RADIUS authorization for all network-related service requests, such as VLAN assignment.
Step 6	<b>interface interface-id</b>	Specify the port connected to the client that is to be enabled for 802.1x authentication, and enter interface configuration mode.
Step 7	<b>authentication port-control auto</b> or <b>dot1x port-control auto</b>	<p>Enable 802.1x authentication on the port.</p> <p>For feature interaction information, see the <a href="#">“802.1x Configuration Guidelines” section on page 9-13</a>.</p>
Step 8	<b>end</b>	Return to privileged EXEC mode.
Step 9	<b>show authentication</b> or <b>show dot1x</b>	Verify your entries.
Step 10	<b>copy running-config startup-config</b>	(Optional) Save your entries in the configuration file.

## Configuring the Switch-to-RADIUS-Server Communication

RADIUS security servers are identified by their hostname or IP address, hostname and specific UDP port numbers, or IP address and specific UDP port numbers. The combination of the IP address and UDP port number creates a unique identifier, which enables RADIUS requests to be sent to multiple UDP ports on

a server at the same IP address. If two different host entries on the same RADIUS server are configured for the same service—for example, authentication—the second host entry configured acts as the fail-over backup to the first one. The RADIUS host entries are tried in the order that they were configured.

Beginning in privileged EXEC mode, follow these steps to configure the RADIUS server parameters on the switch. This procedure is required.

	Command	Purpose
Step 1	<b>configure terminal</b>	Enter global configuration mode.
Step 2	<b>radius-server host</b> { <i>hostname</i>   <i>ip-address</i> } <b>auth-port</b> <i>port-number</i> <b>key</b> <i>string</i>	<p>Configure the RADIUS server parameters.</p> <p>For <i>hostname</i>   <i>ip-address</i>, specify the hostname or IP address of the remote RADIUS server.</p> <p>For <b>auth-port</b> <i>port-number</i>, specify the UDP destination port for authentication requests. The default is 1812. The range is 0 to 65536.</p> <p>For <b>key</b> <i>string</i>, specify the authentication and encryption key used between the switch and the RADIUS daemon running on the RADIUS server. The key is a text string that must match the encryption key used on the RADIUS server.</p> <p><b>Note</b> Always configure the key as the last item in the <b>radius-server host</b> command syntax because leading spaces are ignored, but spaces within and at the end of the key are used. If you use spaces in the key, do not enclose the key in quotation marks unless the quotation marks are part of the key. This key must match the encryption used on the RADIUS daemon.</p> <p>If you want to use multiple RADIUS servers, re-enter this command.</p>
Step 3	<b>end</b>	Return to privileged EXEC mode.
Step 4	<b>show running-config</b>	Verify your entries.
Step 5	<b>copy running-config startup-config</b>	(Optional) Save your entries in the configuration file.

To delete the specified RADIUS server, use the **no radius-server host** {*hostname* | *ip-address*} global configuration command.

This example shows how to specify the server with IP address 172.20.39.46 as the RADIUS server, to use port 1612 as the authorization port, and to set the encryption key to *rad123*, matching the key on the RADIUS server:

```
Switch(config)# radius-server host 172.120.39.46 auth-port 1612 key rad123
```

You can globally configure the timeout, retransmission, and encryption key values for all RADIUS servers by using the **radius-server host** global configuration command. If you want to configure these options on a per-server basis, use the **radius-server timeout**, **radius-server retransmit**, and the **radius-server key** global configuration commands. For more information, see the [“Configuring Settings for All RADIUS Servers” section on page 8-29](#).

You also need to configure some settings on the RADIUS server. These settings include the IP address of the switch and the key string to be shared by both the server and the switch. For more information, see the RADIUS server documentation.



## Configuring 802.1x Readiness Check

The 802.1x readiness check monitors 802.1x activity on all the switch ports and displays information about the devices connected to the ports that support 802.1x. You can use this feature to determine if the devices connected to the switch ports are 802.1x-capable.

The 802.1x readiness check is allowed on all ports that can be configured for 802.1x. The readiness check is not available on a port that is configured as **dot1x force-unauthorized**.

Follow these guidelines to enable the readiness check on the switch:

- The readiness check is typically used before 802.1x is enabled on the switch.
- If you use the **dot1x test eapol-capable** privileged EXEC command without specifying an interface, all the ports on the switch stack are tested.
- When you configure the **dot1x test eapol-capable** command on an 802.1x-enabled port, and the link comes up, the port queries the connected client about its 802.1x capability. When the client responds with a notification packet, it is 802.1x-capable. A syslog message is generated if the client responds within the timeout period. If the client does not respond to the query, the client is not 802.1x-capable. No syslog message is generated.
- The readiness check can be sent on a port that handles multiple hosts (for example, a PC that is connected to an IP phone). A syslog message is generated for each of the clients that respond to the readiness check within the timer period.

Beginning in privileged EXEC mode, follow these steps to enable the 802.1x readiness check on the switch:

	Command	Purpose
Step 1	<b>dot1x test eapol-capable</b> [ <b>interface interface-id</b> ]	Enable the 802.1x readiness check on the switch.  (Optional) For <i>interface-id</i> specify the port on which to check for IEEE 802.1x readiness.  <b>Note</b> If you omit the optional <b>interface</b> keyword, all interfaces on the switch are tested.
Step 1	<b>configure terminal</b>	(Optional) Enter global configuration mode.
Step 2	<b>dot1x test timeout</b> <i>timeout</i>	(Optional) Configure the timeout used to wait for EAPOL response. The range is from 1 to 65535 seconds. The default is 10 seconds.
Step 3	<b>end</b>	(Optional) Return to privileged EXEC mode.
Step 4	<b>show running-config</b>	(Optional) Verify your modified timeout values.

This example shows how to enable a readiness check on a switch to query a port. It also shows the response received from the queried port verifying that the device connected to it is 802.1x-capable:

```
switch# dot1x test eapol-capable interface gigabitethernet1/0/13
```

```
DOT1X_PORT_EAPOL_CAPABLE:DOT1X: MAC 00-01-02-4b-f1-a3 on gigabitethernet1/0/13 is EAPOL capable
```

## Configuring 802.1x Violation Modes

You can configure an 802.1x port so that it shuts down, generates a syslog error, or discards packets from a new device when:

- a device connects to an 802.1x-enable port
- the maximum number of allowed about devices have been authenticated on the port

Beginning in privileged EXEC mode, follow these steps to configure the security violation actions on the switch:

	Command	Purpose
Step 1	<b>configure terminal</b>	Enter global configuration mode.
Step 2	<b>aaa new-model</b>	Enable AAA.
Step 3	<b>aaa authentication dot1x {default} method1</b>	<p>Create an 802.1x authentication method list.</p> <p>To create a default list that is used when a named list is <i>not</i> specified in the <b>authentication</b> command, use the <b>default</b> keyword followed by the method that is to be used in default situations. The default method list is automatically applied to all ports.</p> <p>For <i>method1</i>, enter the <b>group radius</b> keywords to use the list of all RADIUS servers for authentication.</p> <p><b>Note</b> Though other keywords are visible in the command-line help string, only the <b>group radius</b> keywords are supported.</p>
Step 4	<b>interface interface-id</b>	Specify the port connected to the client that is to be enabled for IEEE 802.1x authentication, and enter interface configuration mode.
Step 5	<b>switchport mode access</b>	Set the port to access mode.
Step 6	<b>authentication violation shutdown   restrict   protect}</b> or <b>dot1x violation-mode {shutdown   restrict   protect}</b>	<p>Configure the violation mode. The keywords have these meanings:</p> <ul style="list-style-type: none"> <li>• <b>shutdown</b>—Error disable the port.</li> <li>• <b>restrict</b>—Generate a syslog error.</li> <li>• <b>protect</b>—Drop packets from any new device that sends traffic to the port.</li> </ul>
Step 7	<b>end</b>	Return to privileged EXEC mode.
Step 8	<b>show authentication</b> or <b>show dot1x</b>	Verify your entries.
Step 9	<b>copy running-config startup-config</b>	(Optional) Save your entries in the configuration file.

## Configuring Periodic Re-Authentication

You can enable periodic 802.1x client re-authentication and specify how often it occurs. If you do not specify a time period before enabling re-authentication, the number of seconds between re-authentication attempts is 3600.

Beginning in privileged EXEC mode, follow these steps to enable periodic re-authentication of the client and to configure the number of seconds between re-authentication attempts. This procedure is optional.

	Command	Purpose
Step 1	<b>configure terminal</b>	Enter global configuration mode.
Step 2	<b>interface</b> <i>interface-id</i>	Specify the port to be configured, and enter interface configuration mode.
Step 3	<b>authentication periodic</b> or <b>dot1x reauthentication</b>	Enable periodic re-authentication of the client, which is disabled by default.
Step 4	<b>authentication timer</b> {[ <b>inactivity</b>   <b>reauthenticate</b> ] [ <b>server</b>   <i>am</i> ]} { <b>restart value</b> } or <b>dot1x timeout reauth-period</b> <i>seconds</i>	Set the number of seconds between re-authentication attempts. The range is 1 to 65535; the default is 3600 seconds. This command affects the behavior of the switch only if periodic re-authentication is enabled.
Step 5	<b>end</b>	Return to privileged EXEC mode.
Step 6	<b>show authentication</b> <i>interface-id</i> or <b>how dot1x interface</b> <i>interface-id</i>	Verify your entries.
Step 7	<b>copy running-config startup-config</b>	(Optional) Save your entries in the configuration file.

To disable periodic re-authentication, use the **no dot1x reauthentication** interface configuration command. To return to the default number of seconds between re-authentication attempts, use the **no dot1x timeout reauth-period** interface configuration command.

This example shows how to enable periodic re-authentication and set the number of seconds between re-authentication attempts to 4000:

```
Switch(config-if)# dot1x reauthentication
Switch(config-if)# dot1x timeout reauth-period 4000
```

## Manually Re-Authenticating a Client Connected to a Port

You can manually re-authenticate the client connected to a specific port at any time by entering the **dot1x re-authenticate interface** *interface-id* privileged EXEC command. This step is optional. If you want to enable or disable periodic re-authentication, see the [“Configuring Periodic Re-Authentication”](#) section on page 9-18.

This example shows how to manually re-authenticate the client connected to a port:

```
Switch# dot1x re-authenticate interface gigabitethernet0/1
```

## Changing the Quiet Period

When the switch cannot authenticate the client, the switch remains idle for a set period of time and then tries again. The **dot1x timeout quiet-period** interface configuration command controls the idle period. A failed authentication of the client might occur because the client provided an invalid password. You can provide a faster response time to the user by entering a smaller number than the default.

Beginning in privileged EXEC mode, follow these steps to change the quiet period. This procedure is optional.

	Command	Purpose
Step 1	<b>configure terminal</b>	Enter global configuration mode.
Step 2	<b>interface</b> <i>interface-id</i>	Specify the port to be configured, and enter interface configuration mode.
Step 3	<b>dot1x timeout quiet-period</b> <i>seconds</i>	Set the number of seconds that the switch remains in the quiet state following a failed authentication exchange with the client. The range is 1 to 65535 seconds; the default is 60.
Step 4	<b>end</b>	Return to privileged EXEC mode.
Step 5	<b>show authentication</b> <i>interface-id</i> or <b>show dot1x interface</b> <i>interface-id</i>	Verify your entries.
Step 6	<b>copy running-config startup-config</b>	(Optional) Save your entries in the configuration file.

To return to the default quiet time, use the **no dot1x timeout quiet-period** interface configuration command.

This example shows how to set the quiet time on the switch to 30 seconds:

```
Switch(config-if)# dot1x timeout quiet-period 30
```

## Changing the Switch-to-Client Retransmission Time

The client responds to the EAP-request/identity frame from the switch with an EAP-response/identity frame. If the switch does not receive this response, it waits a set period of time (known as the retransmission time) and then resends the frame.



### Note

You should change the default value of this command only to adjust for unusual circumstances such as unreliable links or specific behavioral problems with certain clients and authentication servers.

Beginning in privileged EXEC mode, follow these steps to change the amount of time that the switch waits for client notification. This procedure is optional.

	Command	Purpose
Step 1	<b>configure terminal</b>	Enter global configuration mode.
Step 2	<b>interface</b> <i>interface-id</i>	Specify the port to be configured, and enter interface configuration mode.
Step 3	<b>dot1x timeout tx-period</b> <i>seconds</i>	Set the number of seconds that the switch waits for a response to an EAP-request/identity frame from the client before resending the request. The range is 1 to 65535 seconds; the default is 30.
Step 4	<b>end</b>	Return to privileged EXEC mode.

	Command	Purpose
Step 5	<b>show authentication</b> <i>interface-id</i> or <b>show dot1xinterface</b> <i>interface-id</i>	Verify your entries.
Step 6	<b>copy running-config startup-config</b>	(Optional) Save your entries in the configuration file.

To return to the default retransmission time, use the **no dot1x timeout tx-period** interface configuration command.

This example shows how to set 60 as the number of seconds that the switch waits for a response to an EAP-request/identity frame from the client before resending the request:

```
Switch(config-if)# dot1x timeout tx-period 60
```

## Setting the Switch-to-Client Frame-Retransmission Number

In addition to changing the switch-to-client retransmission time, you can change the number of times that the switch sends an EAP frame (assuming no response is received) to the client before restarting the authentication process.



### Note

You should change the default value of this command only to adjust for unusual circumstances such as unreliable links or specific behavioral problems with certain clients and authentication servers.

Beginning in privileged EXEC mode, follow these steps to set the switch-to-client frame-retransmission number. This procedure is optional.

	Command	Purpose
Step 1	<b>configure terminal</b>	Enter global configuration mode.
Step 2	<b>interface</b> <i>interface-id</i>	Specify the port to be configured, and enter interface configuration mode.
Step 3	<b>dot1x max-reauth-req</b> <i>count</i>	Set the number of times that the switch sends an EAP frame to the client before restarting the authentication process. The range is 1 to 10; the default is 2.
Step 4	<b>end</b>	Return to privileged EXEC mode.
Step 5	<b>show dot1x interface</b> <i>interface-id</i>	Verify your entries.
Step 6	<b>copy running-config startup-config</b>	(Optional) Save your entries in the configuration file.

To return to the default retransmission number, use the **no dot1x max-req** interface configuration command.

This example shows how to set 5 as the number of times that the switch sends an EAP request before restarting the authentication process:

```
Switch(config-if)# dot1x max-req 5
```

## Setting the Re-Authentication Number

You can also change the number of times that the switch restarts the authentication process before the port changes to the unauthorized state.



### Note

You should change the default value of this command only to adjust for unusual circumstances such as unreliable links or specific behavioral problems with certain clients and authentication servers.

Beginning in privileged EXEC mode, follow these steps to set the re-authentication number. This procedure is optional.

	Command	Purpose
Step 1	<b>configure terminal</b>	Enter global configuration mode.
Step 2	<b>interface</b> <i>interface-id</i>	Specify the port to be configured, and enter interface configuration mode.
Step 3	<b>dot1x max-reauth-req</b> <i>count</i>	Set the number of times that the switch restarts the authentication process before the port changes to the unauthorized state. The range is 1 to 10; the default is 2.
Step 4	<b>end</b>	Return to privileged EXEC mode.
Step 5	<b>show authentication</b> <i>interface-id</i> or <b>show dot1x interface</b> <i>interface-id</i>	Verify your entries.
Step 6	<b>copy running-config startup-config</b>	(Optional) Save your entries in the configuration file.

To return to the default re-authentication number, use the **no dot1x max-reauth-req** interface configuration command.

This example shows how to set 4 as the number of times that the switch restarts the authentication process before the port changes to the unauthorized state:

```
Switch(config-if)# dot1x max-reauth-req 4
```

## Configuring the Host Mode

Beginning in privileged EXEC mode, follow these steps to allow multiple hosts (clients) on an 802.1x-authorized port that has the **dot1x port-control** interface configuration command set to **auto**. This procedure is optional.

	Command	Purpose
Step 1	<b>configure terminal</b>	Enter global configuration mode.
Step 2	<b>interface</b> <i>interface-id</i>	Specify the port to which multiple hosts are indirectly attached, and enter interface configuration mode.
Step 3	<b>dot1x host-mode multi-host</b>	Allow multiple hosts (clients) on an 802.1x-authorized port. Make sure that the <b>dot1x port-control</b> interface configuration command set is set to <b>auto</b> for the specified interface.

	Command	Purpose
Step 4	<b>end</b>	Return to privileged EXEC mode.
Step 5	<b>show authentication</b> <i>interface-id</i> or <b>show dot1x interface</b> <i>interface-id</i>	Verify your entries.
Step 6	<b>copy running-config startup-config</b>	(Optional) Save your entries in the configuration file.

Enter the **dot1x host-mode single-host** interface configuration command to set the interface to allow a single host on the port.

**Note**

Although visible in the command-line interface help, the **dot1x host-mode multi-domain** interface configuration command is not supported. Configuring this command on an interface causes the interface to go into the error-disabled state.

To disable multiple hosts on the port, use the **no dot1x host-mode multi-host** interface configuration command.

This example shows how to enable 802.1x and to allow multiple hosts:

```
Switch(config)# interface gigabitethernet0/1
Switch(config-if)# dot1x port-control auto
Switch(config-if)# dot1x host-mode multi-host
```

## Resetting the 802.1x Configuration to the Default Values

Beginning in privileged EXEC mode, follow these steps to reset the 802.1x configuration to the default values. This procedure is optional.

	Command	Purpose
Step 1	<b>configure terminal</b>	Enter global configuration mode.
Step 2	<b>interface</b> <i>interface-id</i>	Enter interface configuration mode, and specify the port to be configured.
Step 3	<b>dot1x default</b>	Reset the configurable 802.1x parameters to the default values.
Step 4	<b>end</b>	Return to privileged EXEC mode.
Step 5	<b>show dot1x interface</b> <i>interface-id</i>	Verify your entries.
Step 6	<b>copy running-config startup-config</b>	(Optional) Save your entries in the configuration file.

## Configuring 802.1x Accounting

Enabling AAA system accounting with 802.1x accounting allows system reload events to be sent to the accounting RADIUS server for logging. The server can then infer that all active 802.1x sessions are closed.

Because RADIUS uses the unreliable UDP transport protocol, accounting messages might be lost due to poor network conditions. If the switch does not receive the accounting response message from the RADIUS server after a configurable number of retransmissions of an accounting request, this system message appears:

Accounting message %s for session %s failed to receive Accounting Response.

When the stop message is not sent successfully, this message appears:

```
00:09:55: %RADIUS-4-RADIUS_DEAD: RADIUS server 172.20.246.201:1645,1646 is not responding.
```



#### Note

You must configure the RADIUS server to perform accounting tasks, such as logging start, stop, and interim-update messages and time stamps. To turn on these functions, enable logging of “Update/Watchdog packets from this AAA client” in your RADIUS server Network Configuration tab. Next, enable “CVS RADIUS Accounting” in your RADIUS server System Configuration tab.

Beginning in privileged EXEC mode, follow these steps to configure 802.1x accounting after AAA is enabled on your switch. This procedure is optional.

	Command	Purpose
Step 1	<b>configure terminal</b>	Enter global configuration mode.
Step 2	<b>interface</b> <i>interface-id</i>	Specify the port to be configured, and enter interface configuration mode.
Step 3	<b>aaa accounting dot1x default start-stop group radius</b>	Enable 802.1x accounting using the list of all RADIUS servers.
Step 4	<b>aaa accounting system default start-stop group radius</b>	(Optional) Enables system accounting (using the list of all RADIUS servers) and generates system accounting reload event messages when the switch reloads.
Step 5	<b>end</b>	Return to privileged EXEC mode.
Step 6	<b>show running-config</b>	Verify your entries.
Step 7	<b>copy running-config startup-config</b>	(Optional) Saves your entries in the configuration file.

Use the **show radius statistics** privileged EXEC command to display the number of RADIUS messages that do not receive the accounting response message.

This example shows how to configure 802.1x accounting. The first command configures the RADIUS server, specifying 1813 as the UDP port for accounting:

```
Switch(config)# radius-server host 172.120.39.46 auth-port 1812 acct-port 1813 key rad123
Switch(config)# aaa accounting dot1x default start-stop group radius
Switch(config)# aaa accounting system default start-stop group radius
```

## Configuring 802.1x User Distribution

Beginning in global configuration, follow these steps to configure a VLAN group and to map a VLAN to it:

	Command	Purpose
Step 1	<b>vlan group</b> <i>vlan-group-name</i> <b>vlan-list</b> <i>vlan-list</i>	Configure a VLAN group, and map a single VLAN or a range of VLANs to it.
Step 2	<b>show vlan group all</b> <i>vlan-group-name</i>	Verify the configuration.
Step 3	<b>no vlan group</b> <i>vlan-group-name</i> <b>vlan-list</b> <i>vlan-list</i>	Clear the VLAN group configuration or elements of the VLAN group configuration.



This example shows how to configure the VLAN groups, to map the VLANs to the groups, to and verify the VLAN group configurations and mapping to the specified VLANs:

```
switch(config)# vlan group eng-dept vlan-list 10

switch(config)# show vlan group group-name eng-dept
Group Name          Vlans Mapped
-----
eng-dept            10
switch# show dot1x vlan-group all
Group Name          Vlans Mapped
-----
eng-dept            10
hr-dept             20
```

This example shows how to add a VLAN to an existing VLAN group and to verify that the VLAN was added:

```
switch(config)# vlan group eng-dept vlan-list 30
switch(config)# show vlan group eng-dept
Group Name          Vlans Mapped
-----
eng-dept            10,30
```

This example shows how to remove a VLAN from a VLAN group:

```
switch# no vlan group eng-dept vlan-list 10
```

This example shows that when all the VLANs are cleared from a VLAN group, the VLAN group is cleared:

```
switch(config)# no vlan group eng-dept vlan-list 30
Vlan 30 is successfully cleared from vlan group eng-dept.

switch(config)# show vlan group group-name eng-dept
```

This example shows how to clear all the VLAN groups:

```
switch(config)# no vlan group eng-dept vlan-list all
switch(config)# show vlan-group all
```

For more information about these commands, see the *Cisco IOS Security Command Reference*.

## Configuring an Authenticator and a Supplicant Switch with NEAT

Configuring this feature requires that one switch outside a wiring closet is configured as a supplicant and is connected to an authenticator switch.

For overview information, see the “[802.1x Supplicant and Authenticator Switches with Network Edge Access Topology \(NEAT\)](#)” section on page 9-10.



### Note

The *cisco-av-pairs* must be configured as *device-traffic-class=switch* on the ACS, which sets the interface as a trunk after the supplicant is successfully authenticated.

Beginning in privileged EXEC mode, follow these steps to configure a switch as an authenticator:

	Command	Purpose
Step 1	<b>configure terminal</b>	Enter global configuration mode.
Step 2	<b>cisp enable</b>	Enable CISP.
Step 3	<b>interface</b> <i>interface-id</i>	Specify the port to be configured, and enter interface configuration mode.
Step 4	<b>switchport mode access</b>	Set the port mode to <b>access</b> .
Step 5	<b>authentication port-control auto</b>	Set the port-authentication mode to auto.
Step 6	<b>dot1x pae authenticator</b>	Configure the interface as a port access entity (PAE) authenticator.
Step 7	<b>spanning-tree portfast</b>	Enable Port Fast on an access port connected to a single workstation or server.
Step 8	<b>end</b>	Return to privileged EXEC mode.
Step 9	<b>show running-config interface</b> <i>interface-id</i>	Verify your configuration.
Step 10	<b>copy running-config startup-config</b>	(Optional) Save your entries in the configuration file.

This example shows how to configure a switch as an 802.1x authenticator:

```
Switch# configure terminal
Switch(config)# cisp enable
Switch(config)# interface gigabitethernet2/0/1
Switch(config-if)# switchport mode access
Switch(config-if)# authentication port-control auto
Switch(config-if)# dot1x pae authenticator
Switch(config-if)# spanning-tree portfast trunk
```

Beginning in privileged EXEC mode, follow these steps to configure a switch as a supplicant:

	Command	Purpose
Step 1	<b>configure terminal</b>	Enter global configuration mode.
Step 2	<b>cisp enable</b>	Enable CISP.
Step 3	<b>dot1x credentials</b> <i>profile</i>	Create 802.1x credentials profile. This must be attached to the port that is configured as supplicant.
Step 4	<b>username</b> <i>suppswitch</i>	Create a username.
Step 5	<b>password</b> <i>password</i>	Create a password for the new username.
Step 6	<b>dot1x supplicant force-multicast</b>	Force the switch to send <i>only</i> multicast EAPOL packets when it receives either unicast or multicast packets.  This also allows NEAT to work on the supplicant switch in all host modes.
Step 7	<b>interface</b> <i>interface-id</i>	Specify the port to be configured, and enter interface configuration mode.
Step 8	<b>switchport trunk encapsulation</b> <b>dot1q</b>	Set the port to trunk mode.
Step 9	<b>switchport mode trunk</b>	Configure the interface as a VLAN trunk port.

	Command	Purpose
Step 10	<b>dot1x pae supplicant</b>	Configure the interface as a port access entity (PAE) supplicant.
Step 11	<b>dot1x credentials</b> <i>profile-name</i>	Attach the 802.1x credentials profile to the interface.
Step 12	<b>end</b>	Return to privileged EXEC mode.
Step 13	<b>show running-config interface</b> <i>interface-id</i>	Verify your configuration.
Step 14	<b>copy running-config startup-config</b>	(Optional) Save your entries in the configuration file.

This example shows how to configure a switch as a supplicant:

```
Switch# configure terminal
Switch(config)# cisp enable
Switch(config)# dot1x credentials test
Switch(config)# username suppswitch
Switch(config)# password myswitch
Switch(config)# dot1x supplicant force-multicast
Switch(config)# interface gigabitethernet1/0/1
Switch(config-if)# switchport trunk encapsulation dot1q
Switch(config-if)# switchport mode trunk
Switch(config-if)# dot1x pae supplicant
Switch(config-if)# dot1x credentials test
Switch(config-if)# end
```

## Configuring NEAT with ASP

You can also use an AutoSmart Ports user-defined macro instead of the switch VSA to configure the authenticator switch. For more information, see the [Chapter 11, “Configuring Command Macros.”](#)

## Displaying 802.1x Statistics and Status

To display 802.1x statistics for all ports, use the **show dot1x all statistics** privileged EXEC command. To display 802.1x statistics for a specific port, use the **show dot1x statistics interface interface-id** privileged EXEC command.

To display the 802.1x administrative and operational status for the switch, use the **show dot1x all** privileged EXEC command. To display the 802.1x administrative and operational status for a specific port, use the **show dot1x interface interface-id** privileged EXEC command.

Beginning with Cisco IOS Release 12.2(55)SE, you can use the **no dot1x logging verbose** global configuration command to filter verbose 802.1x authentication messages. See the [“802.1x Configuration Guidelines”](#) section on page 9-13.

For detailed information about the fields in these displays, see the command reference for this release.





# CHAPTER 10

## Configuring Interfaces

---

This chapter defines the types of interfaces on the Cisco ME 3400E Ethernet Access switch and describes how to configure them.

- [Understanding Interface Types, page 10-1](#)
- [Using Interface Configuration Mode, page 10-8](#)
- [Using the Ethernet Management Port, page 10-12](#)
- [Configuring Ethernet Interfaces, page 10-15](#)
- [Configuring Layer 3 Interfaces, page 10-25](#)
- [Configuring the System MTU, page 10-27](#)
- [Monitoring and Maintaining the Interfaces, page 10-30](#)



### Note

For complete syntax and usage information for the commands used in this chapter, see the switch command reference for this release and the online *Cisco IOS Interface Command Reference, Release 12.2*.

---

## Understanding Interface Types

This section describes the different types of interfaces supported by the switch with references to chapters that contain more detailed information about configuring these interface types. The rest of the chapter describes configuration procedures for physical interface characteristics.

- [UNI, NNI, and ENI Port Types, page 10-2](#)
- [Port-Based VLANs, page 10-2](#)
- [Switch Ports, page 10-3](#)
- [Routed Ports, page 10-5](#)
- [Switch Ports, page 10-3](#)
- [Switch Virtual Interfaces, page 10-5](#)
- [EtherChannel Port Groups, page 10-6](#)
- [Dual-Purpose Ports, page 10-6](#)
- [Connecting Interfaces, page 10-7](#)

## UNI, NNI, and ENI Port Types

The Cisco ME switch supports user-network interfaces (UNIs), network node interfaces (NNIs), and enhanced network interfaces (ENIs). UNIs are typically connected to a host, such as a PC or a Cisco IP phone. NNIs are typically connected to a router or to another switch. ENIs have the same functionality as UNIs, but can be configured to support protocol control packets for Cisco Discovery Protocol (CDP), Spanning-Tree Protocol (STP), Link Layer Discovery Protocol (LLDP), and EtherChannel Link Aggregation Control Protocol (LACP) or Port Aggregation Protocol (PAgP).

By default, the 10/100 ports and the dual-purpose ports are configured as UNIs, and the SFP-only module uplink ports are configured as NNIs. No ports are ENIs by default.



### Note

On the Cisco ME 3400E-24TS-M switch, the dual-purpose ports serve as the uplink ports and are NNIs by default.

If the switch is running the metro access image, only four ports on the switch can be configured as NNIs at one time. If the switch is running the metro IP access image, there is no limit to the number of NNIs that can be configured on the switch. All ports on the switch can be configured as UNIs or ENIs.

The default state for a UNI or ENI is administratively down to prevent unauthorized users from gaining access to other ports as you configure the switch. Traffic is not switched between these ports, and all arriving traffic at UNIs or ENIs must leave on NNIs to prevent a user from gaining access to another user's private network. If it is appropriate for two or more UNIs or ENIs to exchange traffic within the switch, the UNIs and ENIs can be assigned to a community VLAN. See [Chapter 12, "Configuring VLANs,"](#) for instructions on how to configure community VLANs.



### Note

Even though the default state for a UNI or ENI is shutdown, entering the **default interface** *interface-id* command changes the port to the enabled state.

The default status for an NNI is administratively up to allow a service provider remote access to the switch during initial configuration.

A port can be reconfigured from UNI to NNI or ENI and the reverse. When a port is reconfigured as another interface type, it inherits all the characteristics of that interface type. When you reconfigure a UNI or ENI to be an NNI, you must enable the port before it becomes active.

Changing the port type from UNI to ENI does not affect the administrative state of the port. If the UNI status is shut down, it remains shut down when reconfigured as an ENI; if the port is in a no shutdown state, it remains in the no shutdown state. At any time, all ports on the Cisco ME switch are either UNI, NNI, or ENI.

## Port-Based VLANs

A VLAN is a switched network that is logically segmented by function, team, or application, without regard to the physical location of the users. For more information about VLANs, see [Chapter 12, "Configuring VLANs."](#) Packets received on a port are forwarded only to ports that belong to the same VLAN as the receiving port. Network devices in different VLANs cannot communicate with one another without a Layer 3 device to route traffic between the VLANs.

VLAN partitions provide hard firewalls for traffic in the VLAN, and each VLAN has its own MAC address table. A VLAN comes into existence when a local port is associated with the VLAN ID or when a user creates the VLAN ID.

To isolate VLANs of different customers in a service-provider network, the Cisco ME switch uses UNI-ENI VLANs. UNI-ENI VLANs isolate user network interfaces (UNIs) or enhanced network interfaces (ENIs) on the switch from UNIs or ENIs that belong to other customer VLANs. There are two types of UNI-ENI VLANs:

- UNI-ENI isolated VLAN—This is the default VLAN state for all VLANs created on the switch. Local switching does not occur among UNIs or ENIs on the switch that belong to the same UNI-ENI isolated VLAN.
- UNI-ENI community VLAN—Local switching is allowed among UNIs and ENIs on the switch that belong to the same UNI community VLAN. If UNIs or ENIs belong to the same customer, and you want to switch packets between the ports, you can configure the common VLAN as a UNI-ENI community VLAN.



**Note** Local switching takes place between ENIs and UNIs in the same community VLAN. Because you can enable spanning tree on ENIs, but not on UNIs, you should use caution when configuring ENIs and UNIs in the same community VLAN. UNIs are always in the forwarding state.

For more information about UNI VLANs, see the [“UNI-ENI VLANs” section on page 12-5](#).

To configure VLANs, use the **vlan** *vlan-id* global configuration command to enter VLAN configuration mode. The VLAN configurations for VLAN IDs 1 to 1005 are saved in the VLAN database. Extended-range VLANs (VLAN IDs 1006 to 4094) are not added to the VLAN database. VLAN configuration is saved in the switch running configuration, and you can save it in the switch startup configuration file by entering the **copy running-config startup-config** privileged EXEC command.

Add ports to a VLAN by using the **switchport** interface configuration commands:

- Identify the interface.
- For a trunk port, set trunk characteristics, and if desired, define the VLANs to which it can belong.
- For an access port, set and define the VLAN to which it belongs.
- For a tunnel port, set and define the VLAN ID for the customer-specific VLAN tag. See [Chapter 14, “Configuring IEEE 802.1Q Tunneling, VLAN Mapping, 802.1ad, and Layer 2 Protocol Tunneling.”](#)

## Switch Ports

Switch ports are Layer 2 only interfaces associated with a physical port. Switch ports belong to one or more VLANs. A switch port can be an access port, a trunk port, a private-VLAN port, or a tunnel port. You can configure a port as an access port or trunk port. You configure a private VLAN port as a host or promiscuous port that belongs to a private-VLAN primary or secondary VLAN. (Only NNIs can be configured as promiscuous ports.) You must manually configure tunnel ports as part of an asymmetric link connected to an IEEE 802.1Q trunk port. Switch ports are used for managing the physical interface and associated Layer 2 protocols and do not handle routing or bridging.

Configure switch ports by using the **switchport** interface configuration commands. Use the **switchport** command with no keywords to put an interface that is in Layer 3 mode into Layer 2 mode.



**Note** When you put an interface that is in Layer 3 mode into Layer 2 mode, the previous configuration information related to the affected interface might be lost, and the interface is returned to its default configuration.

For detailed information about configuring access port and trunk port characteristics, see [Chapter 12, “Configuring VLANs.”](#) For more information about tunnel ports, see [Chapter 14, “Configuring IEEE 802.1Q Tunneling, VLAN Mapping, 802.1ad, and Layer 2 Protocol Tunneling.”](#)

## Access Ports

An access port belongs to and carries the traffic of only one VLAN. Traffic is received and sent in native formats with no VLAN tagging. Traffic arriving on an access port is assumed to belong to the VLAN assigned to the port. If an access port receives an IEEE 802.1Q tagged packet, the packet is dropped, and the source address is not learned. IEEE 802.1x can also be used for VLAN assignment.

Two types of access ports are supported:

- Static access ports are manually assigned to a VLAN.
- VLAN membership of dynamic access ports is learned through incoming packets. By default, a dynamic access port is a member of no VLAN, and forwarding to and from the port is enabled only when the VLAN membership of the port is discovered. UNIs begin forwarding packets as soon as they are enabled. Dynamic access ports on the switch are assigned to a VLAN by a VLAN Membership Policy Server (VMPS). The VMPS can be a Catalyst 6500 series switch; the Cisco ME switch cannot be a VMPS server. Dynamic access ports for VMPS are only supported on UNIs and ENIs.

## Trunk Ports

An IEEE 802.1Q trunk port carries the traffic of multiple VLANs and by default is a member of all VLANs in the VLAN database. A trunk port supports simultaneous tagged and untagged traffic. An IEEE 802.1Q trunk port is assigned a default Port VLAN ID (PVID), and all untagged traffic travels on the port default PVID. All untagged traffic and tagged traffic with a NULL VLAN ID are assumed to belong to the port default PVID. A packet with a VLAN ID equal to the outgoing port default PVID is sent untagged. All other traffic is sent with a VLAN tag.

Although by default a trunk port is a member of multiple VLANs, you can limit VLAN membership by configuring an allowed list of VLANs for each trunk port. The list of allowed VLANs does not affect any other port but the associated trunk port. By default, all possible VLANs (VLAN ID 1 to 4094) are in the allowed list. A trunk port can become a member of a VLAN only if the VLAN is in the enabled state.

For more information about trunk ports, see [Chapter 12, “Configuring VLANs.”](#)

## Tunnel Ports

Tunnel ports are used in IEEE 802.1Q tunneling to segregate the traffic of customers in a service-provider network from other customers who are using the same VLAN number. You configure an asymmetric link from a tunnel port on a service-provider edge switch to an IEEE 802.1Q trunk port on the customer switch. Packets entering the tunnel port on the edge switch, already IEEE 802.1Q-tagged with the customer VLANs, are encapsulated with another layer of an IEEE 802.1Q tag (called the metro tag), containing a VLAN ID unique in the service-provider network, for each customer. The double-tagged packets go through the service-provider network keeping the original customer VLANs separate from those of other customers. At the outbound interface, also a tunnel port, the metro tag is removed, and the original VLAN numbers from the customer network are retrieved.

Tunnel ports cannot be trunk ports or access ports and must belong to a VLAN unique to each customer.



For more information about tunnel ports, see [Chapter 14, “Configuring IEEE 802.1Q Tunneling, VLAN Mapping, 802.1ad, and Layer 2 Protocol Tunneling.”](#)

## Routed Ports

A routed port is a physical port that acts like a port on a router; it does not have to be connected to a router. A routed port is not associated with a particular VLAN, as is an access port. A routed port behaves like a regular router interface, except that it does not support VLAN subinterfaces. Routed ports can be configured with a Layer 3 routing protocol. A routed port is a Layer 3 interface only and does not support Layer 2 protocols, such as STP.

Configure routed ports by putting the interface into Layer 3 mode with the **no switchport** interface configuration command. Then assign an IP address to the port, enable routing, and assign routing protocol characteristics by using the **ip routing** and **router protocol** global configuration commands.



### Note

Entering a **no switchport** interface configuration command shuts down the interface and then re-enables it, which might generate messages on the device to which the interface is connected. When you put an interface that is in Layer 2 mode into Layer 3 mode, the previous configuration information related to the affected interface might be lost.

The number of routed ports that you can configure is not limited by software. However, the interrelationship between this number and the number of other features being configured might impact CPU performance because of hardware limitations. See the [“Configuring Layer 3 Interfaces”](#) section on [page 10-25](#) for information about what happens when hardware resource limitations are reached.

For more information about IP unicast and multicast routing and routing protocols, see [Chapter 36, “Configuring IP Unicast Routing”](#) and [Chapter 44, “Configuring IP Multicast Routing.”](#)



### Note

For full Layer 3 routing, you must have the metro IP access image installed on the switch

## Ethernet Management Port

The Ethernet management port, also referred to as the *Fa0* or *fastethernet0* port, is a Layer 3 host port to which you can connect a PC. You can use the Ethernet management port instead of the switch console port for network management.

See the [“Using the Ethernet Management Port”](#) section on [page 10-12](#) for more information.

## Switch Virtual Interfaces

A switch virtual interface (SVI) represents a VLAN of switch ports as one interface to the routing or bridging function in the system. Only one SVI can be associated with a VLAN, but you need to configure an SVI for a VLAN only when you wish to route between VLANs or to provide IP host connectivity to the switch. By default, an SVI is created for the default VLAN (VLAN 1) to permit remote switch administration. Additional SVIs must be explicitly configured.



### Note

You cannot delete interface VLAN 1.

SVIs provide IP host connectivity only to the system; in Layer 3 mode, you can configure routing across SVIs.

Although the switch supports a total of 1005 VLANs (and SVIs), the interrelationship between the number of SVIs and routed ports and the number of other features being configured might impact CPU performance because of hardware limitations. See the [“Configuring Layer 3 Interfaces” section on page 10-25](#) for information about what happens when hardware resource limitations are reached.

SVIs are created the first time that you enter the **vlan** interface configuration command for a VLAN interface. The VLAN corresponds to the VLAN tag associated with data frames on an IEEE 802.1Q encapsulated trunk or the VLAN ID configured for an access port. Configure a VLAN interface for each VLAN for which you want to route traffic, and assign it an IP address. For more information, see the [“Manually Assigning IP Information” section on page 3-14](#).



Note

---

When you create an SVI, it does not become active until it is associated with a physical port.

---

SVIs support routing protocols. For more information about configuring IP routing, see [Chapter 36, “Configuring IP Unicast Routing,”](#) and [Chapter 44, “Configuring IP Multicast Routing.”](#)



Note

---

Routed ports (or SVIs) are supported only when the metro IP access image is installed on the switch.

---

## EtherChannel Port Groups

EtherChannel port groups treat multiple switch ports as one switch port. These port groups act as a single logical port for high-bandwidth connections between switches or between switches and servers. An EtherChannel balances the traffic load across the links in the channel. If a link within the EtherChannel fails, traffic previously carried over the failed link changes to the remaining links. You can group multiple trunk ports into one logical trunk port, group multiple access ports into one logical access port, group multiple tunnel ports into one logical tunnel port, or group multiple routed ports into one logical routed port. Most protocols operate over either single ports or aggregated switch ports and do not recognize the physical ports within the port group. Exceptions are the Cisco Discovery Protocol (CDP), Link Aggregation Control Protocol (LACP), and the Port Aggregation Protocol (PAgP), which operate only on physical NNI or ENI ports.

When you configure an EtherChannel, you create a port-channel logical interface and assign an interface to the EtherChannel. For Layer 3 interfaces, you manually create the logical interface by using the **interface port-channel** global configuration command. Then you manually assign an interface to the EtherChannel by using the **channel-group** interface configuration command. For Layer 2 interfaces, use the **channel-group** interface configuration command to dynamically create the port-channel logical interface. This command binds the physical and logical ports together. For more information, see [Chapter 35, “Configuring EtherChannels and Link-State Tracking.”](#)

## Dual-Purpose Ports

Each dual-purpose port is considered as a single interface with dual front ends (an RJ-45 connector and an SFP module connector). The dual front ends are not redundant interfaces; the switch activates only one connector of the pair.

By default, dual-purpose ports are user-network interfaces (UNIs) and SFP-only module ports are network node interfaces (NNIs). By default, the switch dynamically selects the dual-purpose port media type that first links up. However, you can use the **media-type** interface configuration command to manually select the RJ-45 connector or the SFP module connector. For information about configuring a dual-purpose port, see the “[Configuring a Dual-Purpose Port](#)” section on page 10-21.

Each dual-purpose port has two LEDs: one shows the status of the SFP module port, and one shows the status of the RJ-45 port. The port LED is on for whichever connector is active. For more information about the LEDs, see the hardware installation guide.

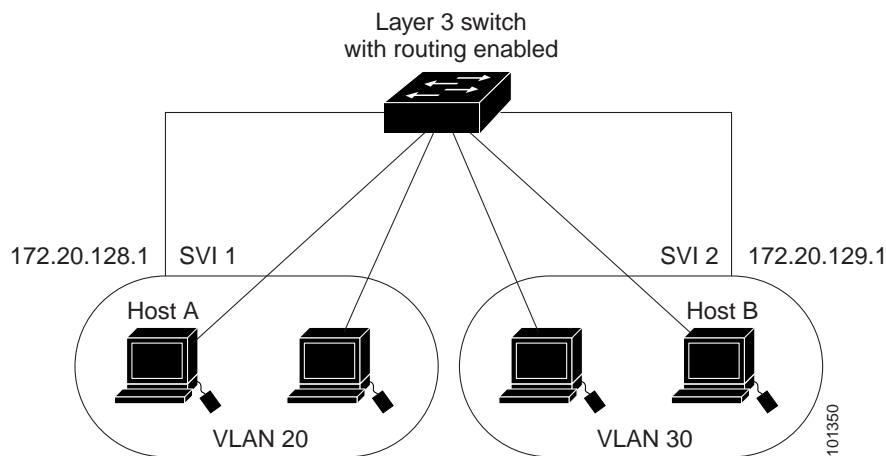
## Connecting Interfaces

Devices within a single VLAN can communicate directly through any switch. Ports in different VLANs cannot exchange data without going through a routing device. With a standard Layer 2 switch, ports in different VLANs have to exchange information through a router.

By default, the Cisco ME switch provides VLAN isolation between UNIs or ENIs. UNIs and ENIs cannot exchange traffic unless they are changed to NNIs or assigned to a UNI-ENI community VLAN.

By using the switch with routing enabled, when you configure both VLAN 20 and VLAN 30 with an SVI to which an IP address is assigned, packets can be sent from Host A to Host B directly through the switch with no need for an external router ([Figure 10-1](#)).

**Figure 10-1** Connecting VLANs with the Switch



When the metro IP access image is running on the switch, routing can be enabled on the switch. Whenever possible, to maintain high performance, forwarding is done by the switch hardware. However, only IP Version 4 packets with Ethernet II encapsulation can be routed in hardware. The routing function can be enabled on all SVIs and routed ports. The switch routes only IP traffic. When IP routing protocol parameters and address configuration are added to an SVI or routed port, any IP traffic received from these ports is routed. For more information, see [Chapter 36, “Configuring IP Unicast Routing,”](#) [Chapter 44, “Configuring IP Multicast Routing,”](#) and [Chapter 45, “Configuring MSDP.”](#)

# Using Interface Configuration Mode

The switch supports these interface types:

- Physical ports—switch ports, routed ports, UNIs, NNIs, and ENIs
- VLANs—switch virtual interfaces
- Port-channels—EtherChannel interfaces

You can also configure a range of interfaces (see the [“Configuring a Range of Interfaces”](#) section on page 10-9).

To configure a physical interface (port), specify the interface type, the module number, and the switch port number, and enter interface configuration mode.

- Type—Fast Ethernet (fastethernet or fa) for 10/100 Mb/s Ethernet, Gigabit Ethernet (gigabitethernet or gi) for 10/100/1000 Mb/s Ethernet ports, or small form-factor pluggable (SFP) module Gigabit Ethernet interfaces.
- Module number—The module or slot number on the switch (always 0 on the Cisco ME switch).
- Port number—The interface number on the switch. The port numbers always begin at 1, starting with the leftmost port when facing the front of the switch, for example, fastethernet 0/1 or gigabitethernet 0/1. If there is more than one interface type (for example, 10/100 ports and SFP module ports), the port numbers restart with the second interface type: gigabitethernet 0/1.

You can identify physical interfaces by physically checking the interface location on the switch. You can also use the **show** privileged EXEC commands to display information about a specific interface or all the interfaces on the switch. The remainder of this chapter primarily provides physical interface configuration procedures.

## Procedures for Configuring Interfaces

These general instructions apply to all interface configuration processes.

---

**Step 1** Enter the **configure terminal** command at the privileged EXEC prompt:

```
Switch# configure terminal
Enter configuration commands, one per line. End with CNTL/Z.
Switch(config)#
```

**Step 2** Enter the **interface** global configuration command. Identify the interface type and the number of the connector. In this example, Fast Ethernet port 1 is selected:

```
Switch(config)# interface fastethernet0/1
Switch(config-if)#
```




---

**Note** You do not need to add a space between the interface type and interface number. For example, in the preceding line, you can specify either **fastethernet 0/1**, **fastethernet0/1**, **fa 0/1**, or **fa0/1**.

---

**Step 3** If you are configuring a UNI or ENI, enter the **no shutdown** interface configuration command to enable the interface:

```
Switch(config-if)# no shutdown
```

**Step 4** Follow each **interface** command with the interface configuration commands that the interface requires. The commands that you enter define the protocols and applications that will run on the interface. The commands are collected and applied to the interface when you enter another interface command or enter **end** to return to privileged EXEC mode.

You can also configure a range of interfaces by using the **interface range** or **interface range macro** global configuration commands. Interfaces configured in a range must be the same type and must be configured with the same feature options.

**Step 5** After you configure an interface, verify its status by using the **show** privileged EXEC commands listed in the “[Monitoring and Maintaining the Interfaces](#)” section on page 10-30.

Enter the **show interfaces** privileged EXEC command to see a list of all interfaces on or configured for the switch. A report is provided for each interface that the device supports or for the specified interface.

## Configuring a Range of Interfaces

You can use the **interface range** global configuration command to configure multiple interfaces with the same configuration parameters. When you enter the interface range configuration mode, all command parameters that you enter are attributed to all interfaces within that range until you exit this mode.

Beginning in privileged EXEC mode, follow these steps to configure a range of interfaces with the same parameters:

	Command	Purpose
Step 1	<b>configure terminal</b>	Enter global configuration mode.
Step 2	<b>interface range</b> { <i>port-range</i> }	Specify the range of interfaces (VLANs or physical ports) to be configured, and enter interface range configuration mode. <ul style="list-style-type: none"> <li>You can use the <b>interface range</b> command to configure up to five port ranges or a previously defined macro.</li> <li>In a comma-separated <i>port-range</i>, you must enter the interface type for each entry and enter spaces before and after the comma.</li> <li>In a hyphen-separated <i>port-range</i>, you do not need to re-enter the interface type, but you must enter a space before the hyphen.</li> </ul>
Step 3	<b>no shutdown</b>	Enable the port, if necessary. By default, UNIs and ENIs are disabled, and NNIs are enabled.
Step 4		You can now use the normal configuration commands to apply the configuration parameters to all interfaces in the range.
Step 5	<b>end</b>	Return to privileged EXEC mode.
Step 6	<b>show interfaces</b> [ <i>interface-id</i> ]	Verify the configuration of the interfaces in the range.
Step 7	<b>copy running-config startup-config</b>	(Optional) Save your entries in the configuration file.

When using the **interface range** global configuration command, note these guidelines:

- Valid entries for *port-range*:
  - vlan** *vlan-ID* - *vlan-ID*, where the VLAN ID is 1 to 4094
  - fastethernet** module/{*first port*} - {*last port*}, where the module is always 0

- **gigabitethernet** *module*/{*first port*} - {*last port*}, where the module is always 0
- **port-channel** *port-channel-number* - *port-channel-number*, where the *port-channel-number* is 1 to 48



**Note** When you use the **interface range** command with port channels, the first and last port channel number must be active port channels.

- The **interface range** command only works with VLAN interfaces that have been configured with the **interface vlan** command. The **show running-config** privileged EXEC command displays the configured VLAN interfaces. VLAN interfaces not displayed by the **show running-config** command cannot be used with the **interface range** command.
- All interfaces defined as in a range must be the same type (all Fast Ethernet ports, all Gigabit Ethernet ports, all EtherChannel ports, or all VLANs), but you can enter multiple ranges in a command.

This example shows how to use the **interface range** global configuration command to set the speed on ports 1 and 2 to 100 Mb/s:

```
Switch# configure terminal
Switch(config)# interface range fastethernet0/1 - 2
Switch(config-if-range)# no shutdown
Switch(config-if-range)# speed 100
```

This example shows how to use a comma to add different interface type strings to the range to enable Fast Ethernet ports 1 to 3 and Gigabit Ethernet ports 1 and 2 to receive IEEE 802.3x flow control pause frames:

```
Switch# configure terminal
Switch(config)# interface range fastethernet0/1 - 3 , gigabitethernet0/1 - 2
Switch(config-if-range)# flowcontrol receive on
```

If you enter multiple configuration commands while you are in interface range mode, each command is executed as it is entered. The commands are not batched together and executed after you exit interface range mode. If you exit interface range configuration mode while the commands are being executed, some commands might not be executed on all interfaces in the range. Wait until the command prompt reappears before exiting interface range configuration mode.

## Configuring and Using Interface Range Macros

You can create an interface range macro to automatically select a range of interfaces for configuration. Before you can use the **macro** keyword in the **interface range macro** global configuration command string, you must use the **define interface-range** global configuration command to define the macro.

Beginning in privileged EXEC mode, follow these steps to define an interface range macro:

	Command	Purpose
Step 1	<b>configure terminal</b>	Enter global configuration mode.
Step 2	<b>define interface-range</b> <i>macro_name</i> <i>interface-range</i>	Define the interface-range macro, and save it in NVRAM. <ul style="list-style-type: none"> <li>• The <i>macro_name</i> is a 32-character maximum character string.</li> <li>• A macro can contain up to five comma-separated interface ranges.</li> <li>• Each <i>interface-range</i> must consist of the same port type.</li> </ul>

	Command	Purpose
Step 3	<b>no shutdown</b>	Enable the port, if necessary. By default, UNIs and ENIs are disabled, and NNIs are enabled.
Step 4	<b>interface range macro</b> <i>macro_name</i>	Select the interface range to be configured using the values saved in the interface-range macro called <i>macro_name</i> .  You can now use the normal configuration commands to apply the configuration to all interfaces in the defined macro.
Step 5	<b>end</b>	Return to privileged EXEC mode.
Step 6	<b>show running-config   include define</b>	Show the defined interface range macro configuration.
Step 7	<b>copy running-config startup-config</b>	(Optional) Save your entries in the configuration file.

Use the **no define interface-range** *macro\_name* global configuration command to delete a macro.

When using the **define interface-range** global configuration command, note these guidelines:

- Valid entries for *interface-range*:
  - **vlan** *vlan-ID* - *vlan-ID*, where the VLAN ID is 1 to 4094
  - **fastethernet** module/{*first port*} - {*last port*}, where the module is always 0
  - **gigabitethernet** module/{*first port*} - {*last port*}, where the module is always 0
  - **port-channel** *port-channel-number* - *port-channel-number*, where the *port-channel-number* is 1 to 48.



**Note** When you use the interface ranges with port channels, the first and last port channel number must be active port channels.

- You must add a space between the first interface number and the hyphen when entering an *interface-range*. For example, **gigabitethernet0/1 - 2** is a valid range; **gigabitethernet0/1-2** is not a valid range.
- The VLAN interfaces must have been configured with the **interface vlan** command. The **show running-config** privileged EXEC command displays the configured VLAN interfaces. VLAN interfaces not displayed by the **show running-config** command cannot be used as *interface-ranges*.
- All interfaces defined as in a range must be the same type (all Fast Ethernet ports, all Gigabit Ethernet ports, all EtherChannel ports, or all VLANs), but you can combine multiple interface types in a macro.

This example shows how to define an interface-range named *enet\_list* to include ports 1 and 2 and to verify the macro configuration:

```
Switch# configure terminal
Switch(config)# define interface-range enet_list gigabitethernet0/1 - 2
Switch(config)# end
Switch# show running-config | include define
define interface-range enet_list GigabitEthernet0/1 - 2
```

This example shows how to create a multiple-interface macro named *macrol* and assign all of the interfaces in the range to a VLAN:

```
Switch# configure terminal
Switch(config)# define interface-range macrol fastethernet0/1 - 2, gigabitethernet0/1 - 2
Switch(config)# interface range macro macrol
Switch(config-if-range)# switchport access vlan 20
```

```
Switch(config-if-range)# no shut
Switch(config-if-range)# end
```

This example shows how to enter interface range configuration mode for the interface-range macro *enet\_list*:

```
Switch# configure terminal
Switch(config)# interface range macro enet_list
Switch(config-if-range)#
```

This example shows how to delete the interface-range macro *enet\_list* and to verify that it was deleted.

```
Switch# configure terminal
Switch(config)# no define interface-range enet_list
Switch(config)# end
Switch# show run | include define
Switch#
```

## Using the Ethernet Management Port

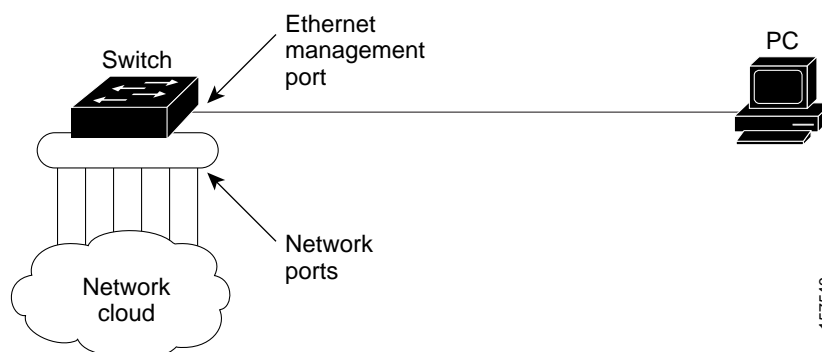
- [Understanding the Ethernet Management Port, page 10-12](#)
- [Supported Features on the Ethernet Management Port, page 10-14](#)
- [Configuring the Ethernet Management Port, page 10-14](#)
- [TFTP and the Ethernet Management Port, page 10-14](#)

## Understanding the Ethernet Management Port

The Ethernet management port is port *Fa0* or *fastethernet0*, a Layer 3 host port to which you can connect a PC. You can use the Ethernet management port instead of the switch console port for network management.

When connecting a PC to the Ethernet management port, you must assign an IP address. Connect the Ethernet management port to the PC as shown in [Figure 10-2](#).

**Figure 10-2** Connecting a Switch to a PC

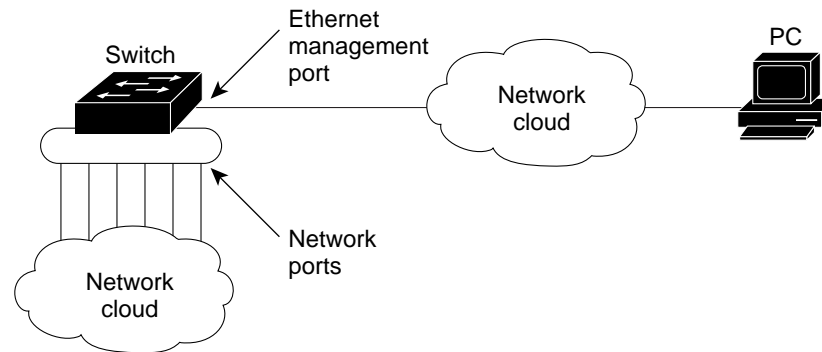


By default, the Ethernet management port is enabled. The switch cannot route packets from the Ethernet management port to a network port or receive routed packets from a network port.



Even though the Ethernet management port does not support routing, you might need to enable routing protocols on the port. For example, in [Figure 10-3](#), you must enable routing protocols on the Ethernet management port when the PC is two or more hops away from the switch and the packets must pass through two or more Layer 3 devices to reach the PC.

**Figure 10-3** Network Example with Routing Protocols Enabled



In [Figure 10-3](#), if the Ethernet management port and the network ports are associated with the same routing process, the routes are propagated in this manner:

- The routes from the Ethernet management port are propagated through the network ports to the network.
- The routes from the network ports are propagated through the Ethernet management port to the network.

Because routing is not supported between the Ethernet management port and the network ports, traffic cannot be sent or received between these ports. If traffic is sent or received, data packet loops occur between the ports, which disrupts the switch and network operation. Configure route filters to avoid routes between the Ethernet management port and the network ports and to prevent the loops.

## Supported Features on the Ethernet Management Port

The Ethernet management port supports these features:

- Telnet with passwords
- TFTP
- Secure Shell (SSH)
- DHCP-based autoconfiguration
- SMNP (only the ENTITY-MIB and the IF-MIB)
- IP ping
- Interface features
- Speed—10 Mb/s, 100 Mb/s, and autonegotiation
- Duplex mode—Full, half, and autonegotiation
- Loopback detection
- Cisco Discovery Protocol (CDP)
- DHCP relay agent

- IPv4 access control lists (ACLs)
- Routing protocols

**Caution**

Before enabling a feature on the Ethernet management port, make sure that the feature is supported. If you try to configure an unsupported feature on the Ethernet Management port, the feature might not work properly, and the switch might fail.

## Configuring the Ethernet Management Port

To specify the Ethernet management port in the CLI, enter **fastethernet0**.

To disable the port, use the **shutdown** interface configuration command. To enable the port, use the **no shutdown** interface configuration command.

You can monitor the Ethernet management port LED to determine the link status to the PC. The LED is green (on) when the link is active, and the LED is off when the link is down. The LED is amber when there is a POST failure.

To display the link status, use the **show interfaces fastethernet 0** privileged EXEC command.

## TFTP and the Ethernet Management Port

Use the commands in [Table 1](#) when using TFTP to download or upload a configuration file to the boot loader.

**Table 1** Boot Loader Commands

Command	Description
<b>arp</b> <i>[ip_address]</i>	Displays the currently cached ARP <sup>1</sup> table when this command is entered without the <i>ip_address</i> parameter. Enables ARP to associate a MAC address with the specified IP address when this command is entered with the <i>ip_address</i> parameter.
<b>mgmt_clr</b>	Clears the statistics for the Ethernet management port.
<b>mgmt_init</b>	Starts the Ethernet management port.
<b>mgmt_show</b>	Displays the statistics for the Ethernet management port.
<b>ping</b> <i>host_ip_address</i>	Sends ICMP ECHO_REQUEST packets to the specified network host.
<b>boot tftp:/file-url ...</b>	Loads and boots an executable image from the TFTP server and enters the command-line interface. For more details, see the command reference for this release.
<b>copy tftp:/source-file-url filesystem:/destination-file-url</b>	Copies a Cisco IOS image from the TFTP server to the specified location. For more details, see the command reference for this release.

1. ARP = Address Resolution Protocol.

# Configuring Ethernet Interfaces

- [Default Ethernet Interface Configuration, page 10-15](#)
- [Configuring the Port Type, page 10-17](#)
- [Configuring Interface Speed and Duplex Mode, page 10-18](#)
- [Configuring a Dual-Purpose Port, page 10-21](#)
- [Configuring IEEE 802.3x Flow Control, page 10-23](#)
- [Configuring Auto-MDIX on an Interface, page 10-24](#)
- [Adding a Description for an Interface, page 10-25](#)

## Default Ethernet Interface Configuration

[Table 10-2](#) shows the Ethernet interface default configuration for NNIs, and [Table 10-3](#) shows the Ethernet interface default configuration for UNIs and ENIs. For more details on the VLAN parameters listed in the table, see [Chapter 12, “Configuring VLANs.”](#) For details on controlling traffic to the port, see [Chapter 23, “Configuring Port-Based Traffic Control.”](#)



### Note

To configure Layer 2 parameters, if the interface is in Layer 3 mode, you must enter the **switchport** interface configuration command without any parameters to put the interface into Layer 2 mode. This shuts down the interface and then re-enables it, which might generate messages on the device to which the interface is connected. When you put an interface that is in Layer 3 mode into Layer 2 mode, the previous configuration information related to the affected interface might be lost, and the interface is returned to its default configuration.

**Table 10-2** Default Ethernet Configuration for NNIs

Feature	Default Setting
Operating mode	Layer 2 or switching mode ( <b>switchport</b> command).
Allowed VLAN range	VLANs 1– 4094.
Default VLAN (for access ports)	VLAN 1 (Layer 2 interfaces only).
Native VLAN (for IEEE 802.1Q trunks)	VLAN 1 (Layer 2 interfaces only).
VLAN trunking	Switchport mode access (Layer 2 interfaces only).
Port enable state	Enabled.
Port description	None defined.
Speed	Autonegotiate.
Duplex mode	Autonegotiate.
IEEE 802.3x flow control	Flow control is set to <b>receive: off</b> . It is always off for sent packets.
EtherChannel	Disabled on all Ethernet ports. See <a href="#">Chapter 35, “Configuring EtherChannels and Link-State Tracking.”</a>
Port blocking (unknown multicast and unknown unicast traffic)	Disabled (not blocked) (only Layer 2 interfaces). See the <a href="#">“Configuring Port Blocking”</a> section on page 23-6.

**Table 10-2** *Default Ethernet Configuration for NNIs (continued)*

Feature	Default Setting
Broadcast, multicast, and unicast storm control	Disabled. See the <a href="#">“Default Storm Control Configuration”</a> section on page 23-3.
Port security	Disabled (only Layer 2 interfaces). See the <a href="#">“Default Port Security Configuration”</a> section on page 23-10.
Port Fast	Disabled. See the <a href="#">“Default Optional Spanning-Tree Configuration”</a> section on page 17-5.
Auto-MDIX	Enabled.
Cisco Discovery Protocol (CDP)	Enabled.
VMPS	Not configured.

**Table 10-3** *Default Ethernet Configuration for UNIs and ENIs*

Feature	Default Setting
Operating mode	Layer 2 or switching mode ( <b>switchport</b> command).
Allowed VLAN range	VLANs 1– 4094.
Default VLAN (for access ports)	VLAN 1 (Layer 2 interfaces only).
Native VLAN (for IEEE 802.1Q trunks)	VLAN 1 (Layer 2 interfaces only).
VLAN trunking	Switchport mode access (Layer 2 interfaces only).
Dynamic VLAN	Enabled.
Port enable state	Disabled when no configuration file exists.
Port description	None defined.
Speed	Autonegotiate.
Duplex mode	Autonegotiate.
IEEE 802.3x flow control	Flow control is set to <b>receive: off</b> . It is always off for sent packets.
EtherChannel	Disabled on all Ethernet ports. See <a href="#">Chapter 35, “Configuring EtherChannels and Link-State Tracking.”</a>
Port blocking (unknown multicast and unknown unicast traffic)	Disabled (not blocked) (only Layer 2 interfaces). See the <a href="#">“Configuring Port Blocking”</a> section on page 23-6.
Broadcast, multicast, and unicast storm control	Disabled. See the <a href="#">“Default Storm Control Configuration”</a> section on page 23-3.
Port security	Disabled (only Layer 2 interfaces). See the <a href="#">“Default Port Security Configuration”</a> section on page 23-10.
Auto-MDIX	Enabled.

## Configuring the Port Type

By default, all the 10/100 ports on the Cisco ME switch are configured as UNIs, and the SFP module ports are configured as NNIs. You can also configure the port type as ENI. An ENI has the same characteristics as a UNI, but it can be configured to support CDP, STP, LLDP, and Etherchannel LACP and PAgP.

You use the **port-type** interface configuration command to change the port types. If the switch is running the metro access image, only four ports on the switch can be configured as NNIs at one time. If the switch is running the metro IP access image, there is no limit to the number of NNIs that can be configured on the switch. All ports on the switch can be configured as UNIs or ENIs.

When a port is changed from an NNI to a UNI or ENI, it inherits the configuration of the assigned VLAN, either in isolated or community mode. For more information about configuring UNI-ENI isolated and UNI-ENI community VLANs, see [Chapter 12, “Configuring VLANs.”](#)

When you change a port from NNI to UNI or ENI or the reverse, any features exclusive to the port type revert to the default configuration. For Layer 2 protocols, such as STP, CDP, and LLDP, the default for UNIs and ENIs is disabled (although they can be enabled on ENIs) and the default for NNIs is enabled.



### Note

By default, the switch sends keepalive messages on UNIs and ENIs and does not send keepalive messages on NNIs. Changing the port type from UNI or ENI to NNI or from NNI to UNI or ENI has no effect on the keepalive status. You can change the keepalive state from the default setting by entering the **[no] keepalive** interface configuration command. If you enter the **keepalive** command with no arguments, keepalive packets are sent with the default time interval (10 seconds) and number of retries (5). Entering the **no keepalive** command disables keepalive packets on the interface.

Beginning in privileged EXEC mode, follow these steps to configure the port type on an interface:

	Command	Purpose
Step 1	<b>configure terminal</b>	Enter global configuration mode
Step 2	<b>interface</b> <i>interface-id</i>	Specify the interface to configure, and enter interface configuration mode.
Step 3	<b>no shutdown</b>	Enable the port, if necessary. By default, UNIs and ENIs are disabled, and NNIs are enabled.
Step 4	<b>port-type</b> {eni   nni   uni}	Change a port to an ENI, NNI, or UNI.
Step 5	<b>end</b>	Return to privileged EXEC mode.
Step 6	<b>show interfaces</b> <i>interface-id</i>	Verify the interface IEEE 802.3x flow control settings.
Step 7	<b>copy running-config startup-config</b>	(Optional) Save your entries in the configuration file.

Entering the **no port-type** or **default port-type** interface configuration command returns the port to the default state: UNI for Fast Ethernet ports and NNI for Gigabit Ethernet ports.

This example shows how to change a port from a UNI to an NNI and save it to the running configuration.

```
Switch# configure terminal
Enter configuration commands, one per line. End with CNTL/Z.
Switch(config)# interface fastethernet0/1
Switch(config-if)# port-type nni
Switch(config-if)# no shutdown
5d20h: %SYS-5-CONFIG_I: Configured from console by console
Switch(config-if)# end
Switch# copy running-config startup-config
```

## Configuring Interface Speed and Duplex Mode

Ethernet interfaces on the switch operate at 10, 100, or 1000 Mb/s and in either full- or half-duplex mode. In full-duplex mode, two stations can send and receive traffic at the same time. Normally, 10-Mb/s ports operate in half-duplex mode, which means that stations can either receive or send traffic.

Switch models include combinations of Fast Ethernet (10/100-Mb/s) ports, Gigabit Ethernet (10/100/1000-Mb/s) ports, and small form-factor pluggable (SFP) module slots supporting SFP modules.

These sections describe how to configure the interface speed and duplex mode:

- [Speed and Duplex Configuration Guidelines, page 10-18](#)
- [Setting the Interface Speed and Duplex Parameters, page 10-19](#)

### Speed and Duplex Configuration Guidelines

When configuring an interface speed and duplex mode, note these guidelines:

- You can configure interface speed on Fast Ethernet (10/100-Mb/s) and Gigabit Ethernet (10/100/1000-Mb/s) ports. You can configure Fast Ethernet ports to full-duplex, half-duplex, or to autonegotiate mode. You can configure Gigabit Ethernet ports to full-duplex mode or to autonegotiate. You also can configure Gigabit Ethernet ports to half-duplex mode if the speed is 10 or 100 Mb/s. Half-duplex mode is not supported on Gigabit Ethernet ports operating at 1000 Mb/s.
- With the exception of when 1000BASE-T SFP modules are installed in the SFP module slots, you cannot configure speed on SFP module ports, but you can configure speed to not negotiate (**nonegotiate**) if connected to a device that does not support autonegotiation.

However, when a 1000BASE-T SFP module is in the SFP module slot, you can configure speed as 10, 100, or 1000 Mb/s, or auto, but not as **nonegotiate**.

On a 100BASE-FX SFP module, you cannot configure the speed as **nonegotiate**.

- You cannot configure duplex mode on SFP module ports; they operate in full-duplex mode except in these situations:
  - When a Cisco1000BASE-T SFP module is in the SFP module slot, you can configure duplex mode to **auto** or **full**. Half-duplex mode is supported with the **auto** setting.
  - When a Cisco100BASE-FX SFP module is in the SFP module slot, you can configure duplex mode to **half** or **full**. Although the **auto** keyword is available, it puts the interface in half-duplex mode (the default for this SFP module) because the 100BASE-FX SFP module does not support autonegotiation.
- If both ends of the line support autonegotiation, we highly recommend the default setting of **auto** negotiation.
- If one interface supports autonegotiation and the other end does not, configure duplex and speed on both interfaces; do not use the **auto** setting on the supported side.
- When STP is enabled and a port is reconfigured, the switch can take up to 30 seconds to check for loops. The port LED is amber while STP reconfigures. On the Cisco ME switch, STP is supported on NNIs by default and can be enabled on ENIs. UNIs do not support STP.



#### Caution

Changing the interface speed and duplex mode configuration might shut down and re-enable the interface during the reconfiguration.

## Setting the Interface Speed and Duplex Parameters

Beginning in privileged EXEC mode, follow these steps to set the speed and duplex mode for a physical interface.



### Note

On dual-purpose ports, changing the interface type by entering the **media-type** interface configuration command removes the speed and duplex configurations. See the “[Configuring a Dual-Purpose Port](#)” section on page 10-21 for information about speed and duplex setting on these ports.

	Command	Purpose
Step 1	<b>configure terminal</b>	Enter global configuration mode.
Step 2	<b>interface</b> <i>interface-id</i>	Specify the physical interface to be configured, and enter interface configuration mode.
Step 3	<b>no shutdown</b>	Enable the port, if necessary. By default, UNIs and ENIs are disabled, and NNIs are enabled.
Step 4	<b>speed</b> { <b>10</b>   <b>100</b>   <b>1000</b>   <b>auto</b> [ <b>10</b>   <b>100</b>   <b>1000</b> ]   <b>nonegotiate</b> }	<p>Enter the appropriate speed parameter for the interface:</p> <ul style="list-style-type: none"> <li>Enter <b>10</b>, <b>100</b>, or <b>1000</b> to set a specific speed for the interface. The <b>1000</b> keyword is available only for 10/100/1000 Mb/s ports or SFP module ports with a 1000BASE-T SFP module.</li> <li>Enter <b>auto</b> to enable the interface to autonegotiate speed with the connected device. If you use the <b>10</b>, <b>100</b>, or the <b>1000</b> keywords with the <b>auto</b> keyword, the port autonegotiates only at the specified speeds.</li> <li>The <b>nonegotiate</b> keyword is available only for SFP module ports. SFP module ports operate only at 1000 Mb/s but can be configured to not negotiate if connected to a device that does not support autonegotiation.</li> </ul> <p><b>Note</b> When a Cisco1000BASE-T SFP module is in the SFP module slot, the speed can be configured to <b>10</b>, <b>100</b>, <b>1000</b>, or to <b>auto</b>, but not to <b>nonegotiate</b>.</p>
Step 5	<b>duplex</b> { <b>auto</b>   <b>full</b>   <b>half</b> }	<p>Enter the duplex parameter for the interface.</p> <p>Enable half-duplex mode (for interfaces operating only at 10 or 100 Mb/s). You cannot configure half-duplex mode for interfaces operating at 1000 Mb/s.</p> <p>You can configure the duplex setting when the speed is set to <b>auto</b>.</p> <p>This command is not available on SFP module ports with these exceptions:</p> <ul style="list-style-type: none"> <li>If a Cisco 1000BASE-T SFP module is inserted, you can configure duplex to <b>auto</b> or to <b>full</b>.</li> <li>If a Cisco 100BASE-FX SFP module is inserted, you can configure duplex to <b>full</b> or to <b>half</b>. Although the <b>auto</b> keyword is available, it puts the interface in half-duplex mode (the default).</li> </ul>
Step 6	<b>end</b>	Return to privileged EXEC mode.

	Command	Purpose
Step 7	<b>show interfaces</b> <i>interface-id</i>	Display the interface speed and duplex mode configuration.
Step 8	<b>copy running-config startup-config</b>	(Optional) Save your entries in the configuration file.

Use the **no speed** and **no duplex** interface configuration commands to return the interface to the default speed and duplex settings (autonegotiate). To return all interface settings to the defaults, use the **default interface** *interface-id* interface configuration command.

This example shows how to set the interface speed to 10 Mb/s and the duplex mode to half on a 10/100 Mb/s port:

```
Switch# configure terminal
Switch(config)# interface fasttethernet0/3
Switch(config-if)# no shutdown
Switch(config-if)# speed 10
Switch(config-if)# duplex half
```

This example shows how to set the interface speed to 100 Mb/s on a 10/100/1000 Mb/s port:

```
Switch# configure terminal
Switch(config)# interface gigabitethernet0/2
Switch(config-if)# speed 100
```

## Configuring a Dual-Purpose Port

Some ports on the switches are dual-purpose ports that can be configured as 10/100/100 ports or as small form-factor pluggable (SFP) module ports. Each dual-purpose port is considered as a single interface with dual front ends (an RJ-45 connector and an SFP module connector).



### Note

Even when operating at 10 or 100 Mb/s, the dual-purpose ports (and the SFP-only module ports) use the frame size that is set with the **system mtu jumbo** global configuration command.

Each dual-purpose port is considered as a single interface with dual front ends (an RJ-45 connector and an SFP module connector). The dual front ends are not redundant interfaces; the switch activates only one connector of the pair.

By default, the dual-purpose ports are user-network interfaces (UNIs) and the SFP-only module ports are network node interfaces (NNIs).



### Note

An exception is the Cisco ME 3400E-24TS-M switch, where the dual-purpose ports serve as the uplink ports and are NNIs by default.

If the switch is running the metro IP access image, you can configure any number of ports as NNIs. If the switch is running the metro access image, you can configure only four ports as NNIs.

By default, the switch dynamically selects the dual-purpose port media type that first links up. However, you can use the **media-type** interface configuration command to manually select the RJ-45 connector or the SFP-module connector. In **auto-select** mode, the switch gives preference to SFP mode if both copper and fiber-optic signals are simultaneously detected.



Beginning in privileged EXEC mode, follow these steps to select which dual-purpose media type to activate. This procedure is optional.

	Command	Purpose
Step 1	<b>configure terminal</b>	Enter global configuration mode.
Step 2	<b>interface</b> <i>interface-id</i>	Specify the dual-purpose port to be configured, and enter interface configuration mode.
Step 3	<b>media-type</b> { <b>auto-select</b>   <b>rj45</b>   <b>sfp</b> }	Select the active interface and media type of a dual-purpose port. The keywords have these meanings: <ul style="list-style-type: none"> <li>• <b>auto-select</b>—The switch dynamically selects the media type. This is the default. When a linkup is achieved, the switch disables the other type until the active link goes down. When the active link goes down, the switch enables both types until one of them links up. In auto-select mode, the switch configures both types with autonegotiation of speed and duplex (the default).</li> <li>• <b>rj45</b>—The switch disables the SFP module interface. If you connect a cable to the SFP port, it cannot attain a link even if the RJ-45 side is down or is not connected. In this mode, the dual-purpose port behaves like a 10/100/1000BASE-TX interface. You can configure the speed and duplex settings consistent with this interface type.</li> <li>• <b>sfp</b>—The switch disables the RJ-45 interface. If you connect a cable to the RJ-45 port, it cannot attain a link even if the SFP side is down or if the SFP module is not present. Based on the type of installed SFP module, you can configure the speed and duplex settings consistent with this interface type.</li> </ul>
Step 4	<b>end</b>	Return to privileged EXEC mode.
Step 5	<b>show interfaces</b> <i>interface-id</i> <b>transceiver properties</b>	Verify your setting.
Step 6	<b>copy running-config startup-config</b>	(Optional) Save your entries in the configuration file.

To return to the default setting, use the **no media-type** interface configuration command.

Changing the interface type removes the speed and duplex configurations. The switch configures both media types to autonegotiate speed and duplex (the default). If you configure **auto-select**, you cannot configure the **speed** and **duplex** interface configuration commands.

When you configure **sfp** or **rj45** media type, the non-configured type is disabled, even if there is a connector installed in that interface and no connector in the configured one.

When the media type is **auto-select**, the switch uses these criteria to select the type:



**Note**

An SFP is not *installed* until it has a fiber-optic or copper cable plugged in.

- If only one connector is installed, that interface is active and remains active until the media is removed or the switch is reloaded.
- If you install both types of media in an enabled dual-purpose port, the switch selects the active link based on which type is installed first.

- If both media are installed in the dual-purpose port, and the switch is reloaded or the port is disabled and then reenabled through the **shutdown** and the **no shutdown** interface configuration commands, the switch gives preference to the SFP module interface.

See the **media-type** interface configuration command in the command reference for more information.

## Configuring IEEE 802.3x Flow Control

IEEE 802.3x flow control enables connected Ethernet ports to control traffic rates during congestion by allowing congested nodes to pause link operation at the other end. If one port experiences congestion and cannot receive any more traffic, it notifies the other port by sending a pause frame to stop sending until the condition clears. Upon receipt of a pause frame, the sending device stops sending any data packets, which prevents any loss of data packets during the congestion period.



### Note

Ports can receive, but not send, pause frames.

You use the **flowcontrol** interface configuration command to set the interface's ability to **receive** pause frames to **on**, **off**, or **desired**. The default state is **off**.

When set to **desired**, an interface can operate with an attached device that is required to send flow-control packets or with an attached device that is not required to but can send flow-control packets.

These rules apply to IEEE 802.3x flow control settings on the device:

- **receive on** (or **desired**): The port cannot send pause frames but can operate with an attached device that is required to or can send pause frames; the port can receive pause frames.
- **receive off**: IEEE 802.3x flow control does not operate in either direction. In case of congestion, no indication is given to the link partner, and no pause frames are sent or received by either device.



### Note

For details on the command settings and the resulting IEEE 802.3x flow control resolution on local and remote ports, see the **flowcontrol** interface configuration command in the command reference for this release.

Beginning in privileged EXEC mode, follow these steps to configure IEEE 802.3x flow control on an interface:

	Command	Purpose
Step 1	<b>configure terminal</b>	Enter global configuration mode
Step 2	<b>interface</b> <i>interface-id</i>	Specify the physical interface to be configured, and enter interface configuration mode.
Step 3	<b>no shutdown</b>	Enable the port, if necessary. By default, UNIs and ENIs are disabled, and NNIs are enabled.
Step 4	<b>flowcontrol</b> { <b>receive</b> } { <b>on</b>   <b>off</b>   <b>desired</b> }	Configure the IEEE 802.3x flow control mode for the port.
Step 5	<b>end</b>	Return to privileged EXEC mode.
Step 6	<b>show interfaces</b> <i>interface-id</i>	Verify the interface IEEE 802.3x flow control settings.
Step 7	<b>copy running-config startup-config</b>	(Optional) Save your entries in the configuration file.

To disable IEEE 802.3x flow control, use the **flowcontrol receive off** interface configuration command.

This example shows how to enable IEEE 802.3x flow control on a port:

```
Switch# configure terminal
Switch(config)# interface gigabitethernet0/1
Switch(config-if)# flowcontrol receive on
Switch(config-if)# end
```

## Configuring Auto-MDIX on an Interface

When automatic medium-dependent interface crossover (auto-MDIX) is enabled on an interface, the interface automatically detects the required cable connection type (straight through or crossover) and configures the connection appropriately. When connecting switches without the auto-MDIX feature, you must use straight-through cables to connect to devices such as servers, workstations, or routers and crossover cables to connect to other switches or repeaters. With auto-MDIX enabled, you can use either type of cable to connect to other devices, and the interface automatically corrects for any incorrect cabling. For more information about cabling requirements, see the hardware installation guide.

Auto-MDIX is enabled by default. When you enable auto-MDIX, you must also set the speed and duplex on the interface to **auto** so that the feature operates correctly. Auto-MDIX is supported on all 10/100 and 10/100/1000 Mb/s interfaces and on Cisco 10/100/1000 BASE-T/TX SFP module interfaces. It is not supported on 1000 BASE-SX or -LX SFP module interfaces.

Table 10-4 shows the link states that result from auto-MDIX settings and correct and incorrect cabling.

**Table 10-4** Link Conditions and Auto-MDIX Settings

Local Side Auto-MDIX	Remote Side Auto-MDIX	With Correct Cabling	With Incorrect Cabling
On	On	Link up	Link up
On	Off	Link up	Link up
Off	On	Link up	Link up
Off	Off	Link up	Link down

Beginning in privileged EXEC mode, follow these steps to configure auto-MDIX on an interface:

	Command	Purpose
Step 1	<b>configure terminal</b>	Enter global configuration mode
Step 2	<b>interface</b> <i>interface-id</i>	Specify the physical interface to be configured, and enter interface configuration mode.
Step 3	<b>no shutdown</b>	Enable the port, if necessary. By default, UNIs and ENIs are disabled, and NNIs are enabled.
Step 4	<b>speed auto</b>	Configure the interface to autonegotiate speed with the connected device.
Step 5	<b>duplex auto</b>	Configure the interface to autonegotiate duplex mode with the connected device.
Step 6	<b>mdix auto</b>	Enable auto-MDIX on the interface.
Step 7	<b>end</b>	Return to privileged EXEC mode.
Step 8	<b>show controllers ethernet-controller</b> <i>interface-id</i> <b>phy</b>	Verify the operational state of the auto-MDIX feature on the interface.
Step 9	<b>copy running-config startup-config</b>	(Optional) Save your entries in the configuration file.

To disable auto-MDIX, use the **no mdix auto** interface configuration command.

This example shows how to enable auto-MDIX on a port:

```
Switch# configure terminal
Switch(config)# interface gigabitethernet0/1
Switch(config-if)# no shutdown
Switch(config-if)# speed auto
Switch(config-if)# duplex auto
Switch(config-if)# mdix auto
Switch(config-if)# end
```

## Adding a Description for an Interface

You can add a description about an interface to help you remember its function. The description appears in the output of these privileged EXEC commands: **show configuration**, **show running-config**, and **show interfaces**.

Beginning in privileged EXEC mode, follow these steps to add a description for an interface:

	Command	Purpose
Step 1	<b>configure terminal</b>	Enter global configuration mode.
Step 2	<b>interface</b> <i>interface-id</i>	Specify the interface for which you are adding a description, and enter interface configuration mode.
Step 3	<b>description</b> <i>string</i>	Add a description (up to 240 characters) for an interface.
Step 4	<b>end</b>	Return to privileged EXEC mode.
Step 5	<b>show interfaces</b> <i>interface-id</i> <b>description</b> or <b>show running-config</b>	Verify your entry.
Step 6	<b>copy running-config startup-config</b>	(Optional) Save your entries in the configuration file.

Use the **no description** interface configuration command to delete the description.

This example shows how to add a description on a port and how to verify the description:

```
Switch# config terminal
Enter configuration commands, one per line. End with CNTL/Z.
Switch(config)# interface gigabitethernet0/2
Switch(config-if)# description Connects to Marketing
Switch(config-if)# end
Switch# show interfaces gigabitethernet0/2 description
Interface Status      Protocol Description
Gi 0/2   admin down    down      Connects to Marketing
```

# Configuring Layer 3 Interfaces

The switch must be running the metro IP access image to support Layer 3 interfaces. The Cisco ME switch supports these types of Layer 3 interfaces:

- **SVIs:** You should configure SVIs for any VLANs for which you want to route traffic. SVIs are created when you enter a VLAN ID following the **interface vlan** global configuration command. To delete an SVI, use the **no interface vlan** global configuration command. You cannot delete interface VLAN 1.



---

**Note** When you create an SVI, it does not become active until it is associated with a physical port. For information about assigning Layer 2 ports to VLANs, see [Chapter 12, “Configuring VLANs.”](#)

---

- **Routed ports:** Routed ports are physical ports configured to be in Layer 3 mode by using the **no switchport** interface configuration command.
- **Layer 3 EtherChannel ports:** EtherChannel interfaces made up of routed ports. EtherChannel port interfaces are described in [Chapter 35, “Configuring EtherChannels and Link-State Tracking.”](#)

A Layer 3 switch can have an IP address assigned to each routed port and SVI.

There is no defined limit to the number of SVIs and routed ports that can be configured in a switch. However, the interrelationship between the number of SVIs and routed ports and the number of other features being configured might have an impact on CPU usage because of hardware limitations. If the switch is using maximum hardware resources, attempts to create a routed port or SVI have these results:

- If you try to create a new routed port, the switch generates a message that there are not enough resources to convert the interface to a routed port, and the interface remains as a switch port.
- If you try to create an extended-range VLAN, an error message is generated, and the extended-range VLAN is rejected.
- If the switch attempts to boot up with a configuration that has more VLANs and routed ports than hardware can support, the VLANs are created, but the routed ports are shut down, and the switch sends a message that this was due to insufficient hardware resources.

All Layer 3 interfaces require an IP address to route traffic. This procedure shows how to configure an interface as a Layer 3 interface and how to assign an IP address to an interface.



**Note**

---

If the physical port is in Layer 2 mode (the default), you must enter the **no switchport** interface configuration command to put the interface into Layer 3 mode. Entering a **no switchport** command disables and then re-enables the interface, which might generate messages on the device to which the interface is connected. Furthermore, when you put an interface that is in Layer 2 mode into Layer 3 mode, the previous configuration information related to the affected interface might be lost, and the interface is returned to its default configuration

---

Beginning in privileged EXEC mode, follow these steps to configure a Layer 3 interface:

	Command	Purpose
Step 1	<b>configure terminal</b>	Enter global configuration mode.
Step 2	<b>interface</b> { { <b>fastethernet</b>   <b>gigabitethernet</b> } <i>interface-id</i> }   { <b>vlan</b> <i>vlan-id</i> }   { <b>port-channel</b> <i>port-channel-number</i> }	Specify the interface to be configured as a Layer 3 interface, and enter interface configuration mode.
Step 3	<b>no shutdown</b>	Enable the port, if necessary. By default, UNIs and ENIs are disabled, and NNIs are enabled.
Step 4	<b>no switchport</b>	For physical ports only, enter Layer 3 mode.
Step 5	<b>ip address</b> <i>ip_address subnet_mask</i>	Configure the IP address and IP subnet.
Step 6	<b>no shutdown</b>	Enable the interface.
Step 7	<b>end</b>	Return to privileged EXEC mode.
Step 8	<b>show interfaces</b> [ <i>interface-id</i> ] <b>show ip interface</b> [ <i>interface-id</i> ] <b>show running-config interface</b> [ <i>interface-id</i> ]	Verify the configuration.
Step 9	<b>copy running-config startup-config</b>	(Optional) Save your entries in the configuration file.

To remove an IP address from an interface, use the **no ip address** interface configuration command.

This example shows how to configure a port as a routed port and to assign it an IP address:

```
Switch# configure terminal
Enter configuration commands, one per line. End with CNTL/Z.
Switch(config)# interface gigabitethernet0/2
Switch(config-if)# no switchport
Switch(config-if)# ip address 192.20.135.21 255.255.255.0
```

## Configuring the System MTU

The default maximum transmission unit (MTU) size for frames received and sent on all interfaces on the switch is 1500 bytes. You can increase the MTU size for all interfaces operating at 10 or 100 Mb/s by using the **system mtu** global configuration command. You can increase the MTU size to support jumbo frames on all Gigabit Ethernet interfaces by using the **system mtu jumbo** global configuration command. Starting with Cisco IOS Release 12.2(55)SE, you can set an alternate MTU size to be applied so specific interfaces by using the **system mtu alternate** global configuration command. You can define only one alternate MTU size on the switch, but you can apply it to multiple interfaces.

You can change the MTU size for routed ports by using the **system mtu routing** global configuration command.



### Note

You cannot configure a routing MTU size that exceeds the system MTU size. If you change the system MTU size to a value smaller than the currently configured routing MTU size, the configuration change is accepted, but not applied until the next switch reset. When the configuration change takes effect, the routing MTU size automatically defaults to the new system MTU size.

Gigabit Ethernet ports MTU size is configured by the **system mtu jumbo** command. Fast Ethernet ports are not affected by this command because jumbo frames are not supported on 10/100 interfaces, including 100BASE-FX and 100BASE-BX SFP modules. If you do not configure the **system mtu jumbo** command, the setting of the **system mtu** command applies to all Gigabit Ethernet interfaces.

You do not set the MTU size for an individual interface; you set it for all 10/100 or all Gigabit Ethernet interfaces on the switch. When you change the system MTU size, you must reload the switch before the new configuration takes effect. The **system mtu routing** command does not require a switch reset to take effect.

To define an alternate MTU size, enter the **system mtu alternate bytes** global configuration command. You then apply the alternate size to specified interfaces by using the **system mtu alternate interface interface-id** global configuration command. The range of the alternate MTU is between the configured **system mtu** and **system jumbo mtu** sizes (1500 to 9000 bytes). When you apply an alternate MTU size to an interface, frames received on the interface that are greater than the configured size are dropped. You can configure an alternate MTU size for Fast Ethernet or Gigabit Ethernet interfaces, but you cannot apply an alternate MTU size greater than 1998 bytes on a Fast Ethernet interface. The alternate MTU size has no effect on the routing MTU size.

When you configure an alternate MTU size, you must reload the switch before the configuration takes effect.

**Note**

The system MTU setting is saved in the switch environmental variable in NVRAM and becomes effective when the switch reloads. The MTU settings you enter with the **system mtu** and **system mtu jumbo** commands are not saved in the switch configuration file, even if you enter the **copy running-config startup-config** privileged EXEC command. Therefore, if you use TFTP to configure a new switch by using a backup configuration file and want the system MTU to be other than the default, you must explicitly configure the **system mtu** and **system mtu jumbo** settings on the new switch and then reload the switch.

Frames sizes that can be received by the switch CPU are limited to 1998 bytes, no matter what value you entered with the **system mtu** or **system mtu jumbo** commands. Although frames that are forwarded are typically not received by the CPU, in some cases packets are sent to the CPU, such as traffic sent to control traffic, SNMP, Telnet, or routing protocols.

Because the switch does not fragment packets, it drops:

- switched packets larger than the packet size supported on the *egress* interface
- routed packets larger than the routing MTU value

For example, if the **system mtu** value is 1998 bytes and the **system mtu jumbo** value is 5000 bytes, packets up to 5000 bytes can be received on interfaces operating at 1000 Mb/s. However, although a packet larger than 1998 bytes can be received on an interface operating at 1000 Mb/s, if its destination interface is operating at 10 or 100 Mb/s, the packet is dropped.

Routed packets are subjected to MTU checks on the sending ports. The MTU value used for routed ports is derived from the configured **system mtu** value (not the **system mtu jumbo** value). That is, the routed MTU is never greater than the system MTU for any VLAN. The routing protocols use the system MTU value when negotiating adjacencies and the MTU of the link. For example, the Open Shortest Path First (OSPF) protocol uses this MTU value before setting up an adjacency with a peer router. To view the MTU value for routed packets for a specific VLAN, use the **show platform port-asic mvid** privileged EXEC command.

**Note**

If Layer 2 Gigabit Ethernet interfaces are configured to accept frames greater than the 10/100 interfaces, jumbo frames received on a Layer 2 Gigabit Ethernet interface and sent on a Layer 2 10/100 interface are dropped.

Beginning in privileged EXEC mode, follow these steps to change the MTU size for all 10/100 or Gigabit Ethernet interfaces and to set an alternate MTU size for specified interfaces:

	Command	Purpose
Step 1	<b>configure terminal</b>	Enter global configuration mode.
Step 2	<b>system mtu</b> <i>bytes</i>	(Optional) Change the MTU size for all interfaces on the switch that are operating at 10 or 100 Mb/s. The range is 1500 to 1998 bytes. The default is 1500 bytes.
Step 3	<b>system mtu jumbo</b> <i>bytes</i>	(Optional) Change the MTU size for all Gigabit Ethernet interfaces on the switch. The range is 1500 to 9000 bytes. The default is 1500 bytes.
Step 4	<b>system mtu alternate</b> <i>bytes</i>	(Optional) Set an alternate MTU size. The range is between the configured system MTU size and the configured jumbo MTU size (1500 to 9000 bytes). The default is 1500 bytes.
Step 5	<b>system mtu alternate interface</b> { <i>interface-id</i>   <b>range</b> <i>interface-range</i> }	(Optional) Apply the alternate MTU size to the specified interface or range of interfaces.
Step 6	<b>system mtu routing</b> <i>bytes</i>	(Optional) Change the system MTU for routed ports. The range is 1500 to the system MTU value, the maximum MTU that can be routed for all ports.  Although larger packets can be accepted, they cannot be routed.
Step 7	<b>end</b>	Return to privileged EXEC mode.
Step 8	<b>reload</b>	Reload the operating system.

If you enter a value that is outside the allowed range for the specific type of interface, the value is not accepted.

After the switch reloads, you can verify your settings by entering the **show system mtu** privileged EXEC command. To verify the MTU setting on an interface, enter the **show interface** *interface-id* **mtu**.

This example shows how to set the maximum packet size for a Gigabit Ethernet port to 1800 bytes:

```
Switch(config)# system mtu jumbo 1800
Switch(config)# exit
Switch# reload
```

This example shows the response when you try to set Gigabit Ethernet interfaces to an out-of-range number:

```
Switch(config)# system mtu jumbo 25000
                ^
                % Invalid input detected at '^' marker.
```



This example shows how to set the maximum packet size for Gigabit Ethernet ports to 1800 bytes, to define an alternate MTU size of 1700 bytes and apply it to Gigabit Ethernet port 0/8. Changes are not applied until you reload the switch:

```
Switch(config)# system mtu jumbo 1800
Switch(config)# system mtu alternate 1700
Changes to the Alternate MTU will not take effect until the next reload is done
Switch(config)# system mtu alternate interface gigabitethernet 0/8
Changes to the Alternate MTU on interface will not take effect until the next reload is done
Switch(config)# exit
Switch# reload
```

This example shows how to apply the alternate MTU to Gigabit Ethernet interfaces 1 to 10. Changes are not applied until you reload the switch:

```
Switch(config)# system mtu alternate interface range gigabitethernet 0/1-10
Changes to the Alternate MTU on interface(s) will not take effect until the next reload is done
Switch(config)# exit
```

## Monitoring and Maintaining the Interfaces

- [Monitoring Interface Status, page 10-30](#)
- [Clearing and Resetting Interfaces and Counters, page 10-31](#)
- [Shutting Down and Restarting the Interface, page 10-32](#)

## Monitoring Interface Status

Commands entered at the privileged EXEC prompt display information about the interface, including the versions of the software and the hardware, the configuration, and statistics about the interfaces. [Table 10-5](#) lists some of these interface monitoring commands. (You can display the full list of **show** commands by using the **show ?** command at the privileged EXEC prompt.) These commands are fully described in the *Cisco IOS Interface Command Reference, Release 12.2*.

**Table 10-5** Show Commands for Interfaces

Command	Purpose
<b>show interfaces</b> [ <i>interface-id</i> ]	Display the status and configuration of all interfaces or a specific interface.
<b>show interfaces</b> <i>interface-id</i> <b>status</b> [ <b>err-disabled</b> ]	Display interface status or a list of interfaces in an error-disabled state.
<b>show interfaces</b> [ <i>interface-id</i> ] <b>mtu</b>	Display the MTU setting on an interface.
<b>show interfaces</b> [ <i>interface-id</i> ] <b>switchport</b>	Display administrative and operational status of switching mode. You can use this command to find out if a port is in routing or in switching mode.
<b>show interfaces</b> [ <i>interface-id</i> ] <b>description</b>	Display the description configured on an interface or all interfaces and the interface status.
<b>show ip interface</b> [ <i>interface-id</i> ]	Display the usability status of all interfaces configured for IP routing or the specified interface.

Table 10-5 Show Commands for Interfaces (continued)

Command	Purpose
<b>show interface</b> [ <i>interface-id</i> ] <b>stats</b>	Display the input and output packets by the switching path for the interface.
<b>show interfaces</b> [ <i>interface-id</i> ] <b>transceiver</b> [ <b>detail</b>   <b>dom-supported-list</b>   <b>module number</b>   <b>properties</b>   <b>threshold-table</b> ]	Display these physical and operational status about an SFP module: <ul style="list-style-type: none"> <li>• <i>interface-id</i>—(Optional) Display configuration and status for a specified physical interface.</li> <li>• <b>detail</b>—(Optional) Display calibration properties, including high and low numbers and any alarm information for any Digital Optical Monitoring (DoM)-capable transceiver if one is installed in the switch.</li> <li>• <b>dom-supported-list</b>—(Optional) List all supported DoM transceivers.</li> <li>• <b>module number</b>—(Optional) Limit display to interfaces on module on the switch. The range is 1 to 9. This option is not available if you entered a specific interface ID.</li> <li>• <b>properties</b>—(Optional) Display speed, duplex, and inline power settings on an interface</li> <li>• <b>threshold-table</b>—(Optional) Display alarm and warning threshold table</li> </ul>
<b>show interfaces</b> [ <i>interface-id</i> ] [{ <b>transceiver properties</b>   <b>detail</b> }] <i>module number</i>	Display physical and operational status about an SFP module.
<b>show port-type</b> [ <b>eni</b>   <b>nni</b> / <b>uni</b> ]	Display interface type information for the Cisco ME switch.
<b>show running-config interface</b> [ <i>interface-id</i> ]	Display the running configuration in RAM for the interface.
<b>show version</b>	Display the hardware configuration, software version, the names and sources of configuration files, and the boot images.
<b>show controllers ethernet-controller</b> <i>interface-id</i> <b>phy</b>	Display the operational state of the auto-MDIX feature on the interface.

## Clearing and Resetting Interfaces and Counters

Table 10-6 lists the privileged EXEC mode **clear** commands that you can use to clear counters and reset interfaces.

Table 10-6 Clear Commands for Interfaces

Command	Purpose
<b>clear counters</b> [ <i>interface-id</i> ]	Clear interface counters.
<b>clear interface</b> <i>interface-id</i>	Reset the hardware logic on an interface.
<b>clear line</b> [ <i>number</i>   <b>console 0</b>   <b>vty number</b> ]	Reset the hardware logic on an asynchronous serial line.

To clear the interface counters shown by the **show interfaces** privileged EXEC command, use the **clear counters** privileged EXEC command. The **clear counters** command clears all current interface counters from the interface unless you specify optional arguments that clear only a specific interface type from a specific interface number.

**Note**

The **clear counters** privileged EXEC command does not clear counters retrieved by using Simple Network Management Protocol (SNMP), but only those seen with the **show interface** privileged EXEC command.

## Shutting Down and Restarting the Interface

Shutting down an interface disables all functions on the specified interface and marks the interface as unavailable on all monitoring command displays. This information is communicated to other network servers through all dynamic routing protocols. The interface is not mentioned in any routing updates.

Beginning in privileged EXEC mode, follow these steps to shut down an interface:

	Command	Purpose
Step 1	<b>configure terminal</b>	Enter global configuration mode.
Step 2	<b>interface</b> { <b>vlan</b> <i>vlan-id</i> }   { { <b>fastethernet</b>   <b>gigabitethernet</b> } <i>interface-id</i> }   { <b>port-channel</b> <i>port-channel-number</i> }	Select the interface to be configured.
Step 3	<b>shutdown</b>	Shut down an interface.
Step 4	<b>end</b>	Return to privileged EXEC mode.
Step 5	<b>show running-config</b>	Verify your entry.

Use the **no shutdown** interface configuration command to enable an interface.

To verify that an interface is disabled, enter the **show interfaces** privileged EXEC command. A disabled interface is shown as *administratively down* in the display.





## Configuring Command Macros

---

This chapter describes how to configure and apply command macros on the Cisco ME 3400E switch.

**Note**

For complete syntax and usage information for the commands used in this chapter, see the command reference for this release.

---

- [Understanding Command Macros, page 11-1](#)
- [Configuring Command Macros, page 11-1](#)
- [Displaying Command Macros, page 11-5](#)

## Understanding Command Macros

Command macros provide a convenient way to save and share common configurations. You can use command macros to enable features and settings based on the location of a switch in the network and for mass configuration deployments across the network.

Each command macro is a set of command-line interface (CLI) commands that you define. Command macros do not contain new CLI commands; they are simply a group of existing CLI commands.

When you apply a command macro on an interface, the CLI commands within the macro are configured on the interface. When the macro is applied to an interface, the existing interface configurations are not lost. The new commands are added to the interface and are saved in the running configuration file.

## Configuring Command Macros

You can create a new command macro or use an existing macro as a template to create a new macro that is specific to your application. After you create the macro, you can apply it globally to a switch, to a switch interface, or to a range of interfaces.

- [Default Command Macro Configuration, page 11-2](#)
- [Command Macro Configuration Guidelines, page 11-2](#)
- [Creating Command Macros, page 11-3](#)
- [Applying Command Macros, page 11-4](#)
- [Displaying Command Macros, page 11-5](#)

## Default Command Macro Configuration

There are no command macros enabled.

## Command Macro Configuration Guidelines

Follow these guidelines when configuring macros on your switch:

- When creating a macro, do not use the **exit** or **end** commands or change the command mode by using **interface** *interface-id*. This could cause commands that follow **exit**, **end**, or **interface** *interface-id* to execute in a different command mode.
- When creating a macro, all CLI commands should be in the same configuration mode.
- When creating a macro that requires the assignment of unique values, use the **parameter** *value* keywords to designate values specific to the interface. Keyword matching is case sensitive. All matching occurrences of the keyword are replaced with the corresponding value. Any full match of a keyword, even if it is part of a larger string, is considered a match and is replaced by the corresponding value.
- Macro names are case sensitive. For example, the commands **macro name Sample-Macro** and **macro name sample-macro** will result in two separate macros.
- Some macros might contain keywords that require a parameter value. You can use the **macro global apply** *macro-name* ? global configuration command or the **macro apply** *macro-name* ? interface configuration command to display a list of any required values in the macro. If you apply a macro without entering the keyword values, the commands are invalid and are not applied.
- When a macro is applied globally to a switch or to a switch interface, all existing configuration on the interface is retained. This is helpful when applying an incremental configuration.
- If you modify a macro definition by adding or deleting commands, the changes are not reflected on the interface where the original macro was applied. You need to reapply the updated macro on the interface to apply the new or changed commands.
- You can use the **macro global trace** *macro-name* global configuration command or the **macro trace** *macro-name* interface configuration command to apply and debug a macro to find any syntax or configuration errors. If a command fails because of a syntax error or a configuration error, the macro continues to apply the remaining commands.
- Some CLI commands are specific to certain interface types. If a macro is applied to an interface that does not accept the configuration, the macro will fail the syntax check or the configuration check, and the switch will return an error message.
- Applying a macro to an interface range is the same as applying a macro to a single interface. When you use an interface range, the macro is applied sequentially to each interface within the range. If a macro command fails on one interface, it is still applied to the remaining interfaces.
- When you apply a macro to a switch or a switch interface, the macro name is automatically added to the switch or interface. You can display the applied commands and macro names by using the **show running-config** user EXEC command.
- When you apply a macro to a user network interface (UNI) or enhanced network interface (ENI), you must first enable the port. UNIs and ENIs are disabled by default.

## Creating Command Macros

Beginning in privileged EXEC mode, follow these steps to create a command macro:

	Command	Purpose
Step 1	<b>configure terminal</b>	Enter global configuration mode.
Step 2	macro name <i>macro-name</i>	<p>Create a macro definition, and enter a macro name. A macro definition can contain up to 3000 characters.</p> <p>Enter the macro commands with one command per line. Use the @ character to end the macro. Use the # character at the beginning of a line to enter comment text within the macro.</p> <p>(Optional) You can define keywords within a macro by using a help string to specify the keywords. Enter # <b>macro keywords word</b> to define the keywords that are available for use with the macro. Separated by a space, you can enter up to three help string keywords in a macro.</p> <p>Macro names are case sensitive. For example, the commands <b>macro name Sample-Macro</b> and <b>macro name sample-macro</b> will result in two separate macros.</p> <p>We recommend that you do not use the <b>exit</b> or <b>end</b> commands or change the command mode by using <b>interface interface-id</b> in a macro. This could cause any commands following <b>exit</b>, <b>end</b>, or <b>interface interface-id</b> to execute in a different command mode. For best results, all commands in a macro should be in the same configuration mode.</p>
Step 3	<b>end</b>	Return to privileged EXEC mode.
Step 4	<b>show parser macro</b> name <i>macro-name</i>	Verify that the macro was created.

The **no** form of the **macro name** global configuration command only deletes the macro definition. It does not affect the configuration of those interfaces on which the macro is already applied.

This example shows how to create a macro that defines the switchport access VLAN and the number of secure MAC addresses and also includes two help string keywords by using # **macro keywords**:

```
Switch(config)# macro name test
switchport access vlan $VLANID
switchport port-security maximum $MAX
#macro keywords $VLANID $MAX
@
```

## Applying Command Macros

Beginning in privileged EXEC mode, follow these steps to apply a command macro:

	Command	Purpose
Step 1	<b>configure terminal</b>	Enter global configuration mode.
Step 2	<b>macro global</b> { <b>apply</b>   <b>trace</b> } <i>macro-name</i> [ <b>parameter</b> { <i>value</i> }] [ <b>parameter</b> { <i>value</i> }] [ <b>parameter</b> { <i>value</i> }]	<p>Apply each individual command defined in the macro to the switch by entering <b>macro global apply</b> <i>macro-name</i>. Specify <b>macro global trace</b> <i>macro-name</i> to apply and debug a macro to find any syntax or configuration errors.</p> <p>(Optional) Specify unique parameter values that are specific to the switch. You can enter up to three keyword-value pairs. Parameter keyword matching is case sensitive. All matching occurrences of the keyword are replaced with the corresponding value.</p> <p>Some macros might contain keywords that require a parameter value. You can use the <b>macro global apply</b> <i>macro-name</i> ? command to display a list of any required values in the macro. If you apply a macro without entering the keyword values, the commands are invalid and are not applied.</p>
Step 3	<b>macro global description</b> <i>text</i>	(Optional) Enter a description about the macro that is applied to the switch.
Step 4	<b>interface</b> <i>interface-id</i>	(Optional) Enter interface configuration mode, and specify the interface on which to apply the macro.
Step 5	<b>no shutdown</b>	Enable the port, if necessary. By default, UNIs and enhanced network interfaces (ENIs) are disabled, and network node interfaces (NNIs) are enabled.
Step 6	<b>default interface</b> <i>interface-id</i>	(Optional) Clear all configuration from the specified interface.
Step 7	<b>macro</b> { <b>apply</b>   <b>trace</b> } <i>macro-name</i> [ <b>parameter</b> { <i>value</i> }] [ <b>parameter</b> { <i>value</i> }] [ <b>parameter</b> { <i>value</i> }]	<p>Apply each individual command defined in the macro to the interface by entering <b>macro apply</b> <i>macro-name</i>. Specify <b>macro trace</b> <i>macro-name</i> to apply and debug a macro to find any syntax or configuration errors.</p> <p>(Optional) Specify unique parameter values that are specific to the interface. You can enter up to three keyword-value pairs. Parameter keyword matching is case sensitive. All matching occurrences of the keyword are replaced with the corresponding value.</p> <p>Some macros might contain keywords that require a parameter value. You can use the <b>macro apply</b> <i>macro-name</i> ? command to display a list of any required values in the macro. If you apply a macro without entering the keyword values, the commands are invalid and are not applied.</p>
Step 8	<b>macro description</b> <i>text</i>	(Optional) Enter a description about the macro that is applied to the interface.
Step 9	<b>end</b>	Return to privileged EXEC mode.
Step 10	<b>show parser macro description</b> [ <b>interface</b> <i>interface-id</i> ]	Verify that the macro is applied to the interface.
Step 11	<b>copy running-config startup-config</b>	(Optional) Save your entries in the configuration file.



You can delete a global macro-applied configuration on a switch only by entering the **no** version of each command that is in the macro. You can delete a macro-applied configuration on an interface by entering the **default interface** *interface-id* interface configuration command.

This example shows how to apply the user-created macro called **snmp**, to set the hostname address to **test-server**, and to set the IP precedence value to **7**:

```
Switch(config)# macro global apply snmp ADDRESS test-server VALUE 7
```

This example shows how to debug the user-created macro called **snmp** by using the **macro global trace** global configuration command to find any syntax or configuration errors in the macro when it is applied to the switch.

```
Switch(config)# macro global trace snmp VALUE 7
Applying command...`snmp-server enable traps port-security`
Applying command...`snmp-server enable traps linkup`
Applying command...`snmp-server enable traps linkdown`
Applying command...`snmp-server host`
%Error Unknown error.
Applying command...`snmp-server ip precedence 7`
```

This example shows how to apply the user-created macro called **desktop-config** and to verify the configuration.

```
Switch(config)# interface gigabitethernet0/2
Switch(config-if)# macro apply desktop-config
Switch(config-if)# end
Switch# show parser macro description
Interface      Macro Description
-----
Gi0/2          desktop-config
-----
```

This example shows how to apply the user-created macro called **desktop-config** and to replace all occurrences of VLAN 1 with VLAN 25:

```
Switch(config-if)# macro apply desktop-config vlan 25
```

## Displaying Command Macros

To display the command macros, use one or more of the privileged EXEC commands in [Table 11-1](#).

**Table 11-1** Commands for Displaying Command Macros

Command	Purpose
<b>show parser macro</b>	Displays all configured macros.
<b>show parser macro name</b> <i>macro-name</i>	Displays a specific macro.
<b>show parser macro brief</b>	Displays the configured macro names.
<b>show parser macro description</b> [ <b>interface</b> <i>interface-id</i> ]	Displays the macro description for all interfaces or for a specified interface.





# CHAPTER 12

## Configuring VLANs

---

This chapter describes how to configure normal-range VLANs (VLAN IDs 1 to 1005) and extended-range VLANs (VLAN IDs 1006 to 4094) on the Cisco ME 3400E Ethernet Access switch. It includes information about VLAN membership modes, VLAN configuration modes, VLAN trunks, and dynamic VLAN assignment from a VLAN Membership Policy Server (VMPS).



### Note

For complete syntax and usage information for the commands used in this chapter, see the command reference for this release.

---

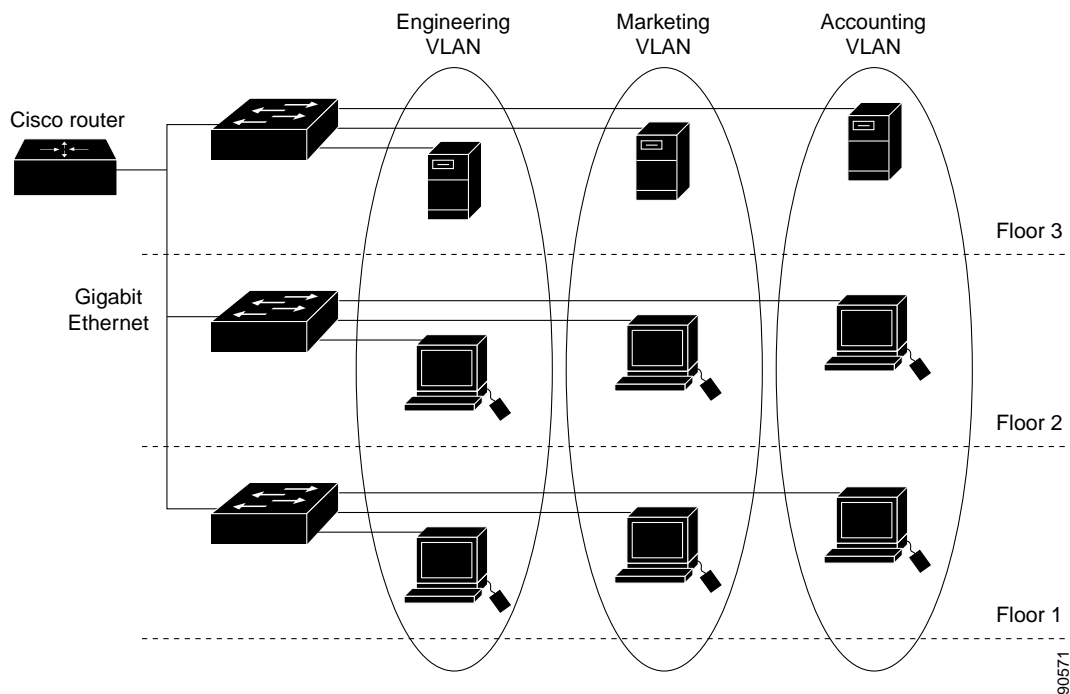
- [Understanding VLANs, page 12-1](#)
- [Creating and Modifying VLANs, page 12-7](#)
- [Displaying VLANs, page 12-14](#)
- [Configuring VLAN Trunks, page 12-14](#)
- [Configuring VMPS, page 12-23](#)

## Understanding VLANs

A VLAN is a switched network that is logically segmented by function, project team, or application, without regard to the physical locations of the users. VLANs have the same attributes as physical LANs, but you can group end stations even if they are not physically located on the same LAN segment. Any switch port can belong to a VLAN, and unicast, broadcast, and multicast packets are forwarded and flooded only to end stations in the VLAN. Each VLAN is considered a logical network, and packets destined for stations that do not belong to the VLAN must be forwarded through a router, as shown in [Figure 12-1](#). Because a VLAN is considered a separate logical network, it contains its own bridge MIB information and can support its own implementation of spanning tree. See [Chapter 15, “Configuring STP.”](#)

Figure 12-1 shows an example of VLANs segmented into logically defined networks.

Figure 12-1 VLANs as Logically Defined Networks



VLANs are often associated with IP subnetworks. For example, all the end stations in a particular IP subnet belong to the same VLAN. Interface VLAN membership on the switch is assigned manually on an interface-by-interface basis. When you assign switch interfaces to VLANs by using this method, it is known as interface-based, or static, VLAN membership.



**Note**

The switch does not support VLAN Trunking Protocol (VTP).

Traffic between VLANs must be routed. Switches that are running the metro IP access image can route traffic between VLANs by using switch virtual interfaces (SVIs). To route traffic between VLANs, an SVI must be explicitly configured and assigned an IP address. For more information, see the “[Switch Virtual Interfaces](#)” section on page 10-5 and the “[Configuring Layer 3 Interfaces](#)” section on page 10-25.

This section includes these topics:

- [Supported VLANs](#), page 12-3
- [Normal-Range VLANs](#), page 12-3
- [Extended-Range VLANs](#), page 12-4
- [VLAN Port Membership Modes](#), page 12-4
- [UNI-ENI VLANs](#), page 12-5

## Supported VLANs

VLANs are identified with a number from 1 to 4094. VLAN IDs 1002 through 1005 are reserved for Token Ring and FDDI VLANs. VLAN IDs greater than 1005 are extended-range VLANs and are not stored in the VLAN database.

Although the switch supports a total of 1005 (normal-range and extended-range) VLANs, the number of routed ports, SVIs, and other configured features affects the use of the switch hardware.

The switch supports per-VLAN spanning-tree plus (PVST+) or rapid PVST+ with a maximum of 128 spanning-tree instances. One spanning-tree instance is allowed per VLAN.



### Note

Network node interfaces (NNIs) support STP by default. Enhanced network interfaces (ENIs) can be configured to support STP. User network interfaces (UNIs) do not support STP and by default are always in a forwarding state.

See the [“VLAN Configuration Guidelines” section on page 12-8](#) for more information about the number of spanning-tree instances and the number of VLANs. The switch supports IEEE 802.1Q trunking for sending VLAN traffic over Ethernet ports.

## Normal-Range VLANs

Normal-range VLANs are VLANs with VLAN IDs 1 to 1005. You can add, modify or remove configurations for VLANs 2 to 1001 in the VLAN database. (VLAN IDs 1 and 1002 to 1005 are automatically created and cannot be removed.)

Configurations for VLAN IDs 1 to 1005 are written to the file *vlan.dat* (VLAN database), and you can display them by entering the **show vlan** privileged EXEC command. The *vlan.dat* file is stored in flash memory.



### Caution

You can cause inconsistency in the VLAN database if you try to manually delete the *vlan.dat* file. If you want to modify the VLAN configuration, use the commands described in these sections and in the command reference for this release.

You can set these parameters when you create a new normal-range VLAN or modify an existing VLAN in the VLAN database:

- VLAN ID
- VLAN name
- VLAN type (Ethernet, Fiber Distributed Data Interface [FDDI], FDDI network entity title [NET], TrBRF, or TrCRF, Token Ring, Token Ring-Net)



### Note

The switch supports only Ethernet VLANs. You can configure parameters for FDDI and Token Ring VLANs and view the results in the *vlan.dat* file, but these parameters are not used.

- VLAN state (active or suspended)
- Maximum transmission unit (MTU) for the VLAN
- Security Association Identifier (SAID)

- Bridge identification number for TrBRF VLANs
- Ring number for FDDI and TrCRF VLANs
- Parent VLAN number for TrCRF VLANs
- Spanning Tree Protocol (STP) type for TrCRF VLANs
- VLAN number to use when translating from one VLAN type to another
- Private VLAN. Configure the VLAN as a primary or secondary private VLAN. For information about private VLANs, see [Chapter 13, “Configuring Private VLANs.”](#)
- Remote SPAN VLAN. Configure the VLAN as the Remote Switched Port Analyzer (RSPAN) VLAN for a remote SPAN session. For more information on remote SPAN, see [Chapter 27, “Configuring SPAN and RSPAN.”](#)
- UNI-ENI VLAN configuration

For extended-range VLANs, you can configure only MTU, private VLAN, remote SPAN VLAN, and UNI-ENI VLAN parameters.


**Note**


---

This chapter does not provide configuration details for most of these parameters. For complete information on the commands and parameters that control VLAN configuration, see the command reference for this release.

---

## Extended-Range VLANs

You can create extended-range VLANs (in the range 1006 to 4094) to enable service providers to extend their infrastructure to a greater number of customers. The extended-range VLAN IDs are allowed for any **switchport** commands that allow VLAN IDs. Extended-range VLAN configurations are not stored in the VLAN database, but they are stored in the switch running configuration file, and you can save the configuration in the startup configuration file by using the **copy running-config startup-config** privileged EXEC command.


**Note**


---

Although the switch supports 4094 VLAN IDs, the actual number of VLANs supported is 1005.

---

## VLAN Port Membership Modes

You configure a port to belong to a VLAN by assigning a membership mode that specifies the kind of traffic that the port carries and the number of VLANs to which it can belong. [Table 12-1](#) lists the membership modes and characteristics.

**Table 12-1** Port Membership Modes

Membership Mode	VLAN Membership Characteristics
Static-access	A static-access port can belong to one VLAN and is manually assigned to that VLAN. For more information, see the <a href="#">“Assigning Static-Access Ports to a VLAN”</a> section on page 12-11.
Trunk (IEEE 802.1Q)	A trunk port is a member of all VLANs by default, including extended-range VLANs, but membership can be limited by configuring the allowed-VLAN list. For information about configuring trunk ports, see the <a href="#">“Configuring an Ethernet Interface as a Trunk Port”</a> section on page 12-16.
Dynamic-access	A dynamic-access port can belong to one VLAN (VLAN ID 1 to 4094) and is dynamically assigned by a VMPS. The VMPS can be a Catalyst 5000 or Catalyst 6500 series switch, for example, but never a Cisco ME 3400E Ethernet Access switch. The Cisco ME 3400E switch is a VMPS client.  <b>Note</b> Only UNIs or ENIs can be dynamic-access ports.  You can have dynamic-access ports and trunk ports on the same switch, but you must connect the dynamic-access port to an end station or hub and not to another switch. For configuration information, see the <a href="#">“Configuring Dynamic-Access Ports on VMPS Clients”</a> section on page 12-26.
Private VLAN	A private VLAN port is a host or promiscuous port that belongs to a private VLAN primary or secondary VLAN. Only NNIs can be configured as promiscuous ports. For information about private VLANs, see <a href="#">Chapter 13, “Configuring Private VLANs.”</a>
Tunnel (dot1q-tunnel)	Tunnel ports are used for IEEE 802.1Q tunneling to maintain customer VLAN integrity across a service-provider network. You configure a tunnel port on an edge switch in the service-provider network and connect it to an IEEE 802.1Q trunk port on a customer interface, creating an assymetric link. A tunnel port belongs to a single VLAN that is dedicated to tunneling. For more information about tunnel ports, see <a href="#">Chapter 14, “Configuring IEEE 802.1Q Tunneling, VLAN Mapping, 802.1ad, and Layer 2 Protocol Tunneling.”</a>

For more detailed definitions of access and trunk modes and their functions, see [Table 12-4 on page 12-15](#).

When a port belongs to a VLAN, the switch learns and manages the addresses associated with the port on a per-VLAN basis. For more information, see the [“Managing the MAC Address Table”](#) section on page 5-19.

## UNI-ENI VLANs

The Cisco ME switch is the boundary between customer networks and the service-provider network, with user network interfaces (UNIs) and enhanced interface interfaces (ENIs) connected to the customer side of the network. When customer traffic enters or leaves the service-provider network, the customer VLAN ID must be isolated from other customers' VLAN IDs. You can achieve this isolation by several methods, including using private VLANs. On the Cisco ME switch, this isolation occurs by default by using UNI-ENI VLANs.

There are two types of UNI-ENI VLANs:

- **UNI-ENI isolated VLAN**—This is the default VLAN state for all VLANs created on the switch. Local switching does not occur among UNIs or ENIs on the switch that belong to the same UNI-ENI isolated VLAN. This configuration is designed for cases when different customers are connected to UNIs or ENIs on the same switch. However, switching is allowed among UNIs or ENIs on different switches even though they belong to the same UNI-ENI isolated VLAN.
- **UNI-ENI community VLAN**—Local switching is allowed among UNIs and ENIs on the switch that belong to the same community VLAN. If UNIs or ENIs belong to the same customer, and you want to switch packets between the ports, you can configure the common VLAN as a UNI-ENI community VLAN. There is no local switching between the ports in a UNI-ENI community VLAN and ports outside of the VLAN. There is no restriction to the number of UNIs and ENIs that you can add to a community VLAN or private VLAN.

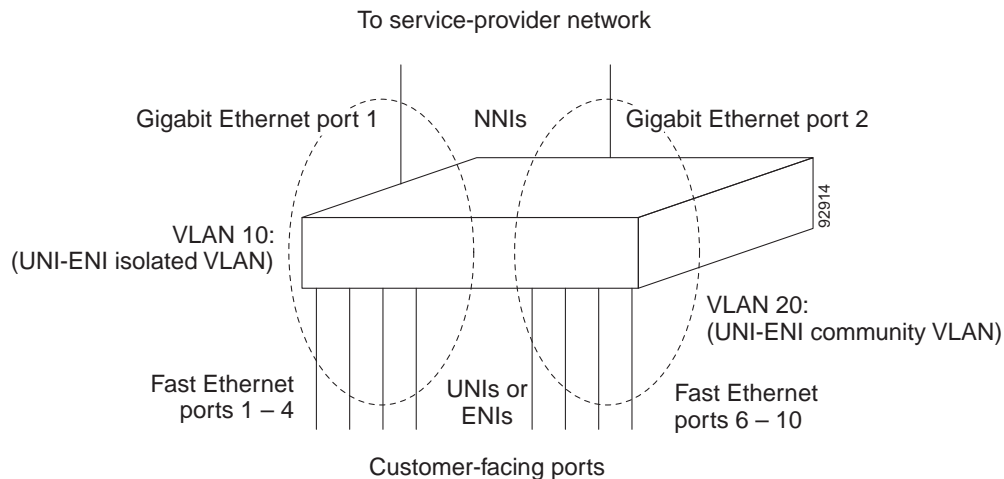


**Note** Local switching takes place between ENIs and UNIs in the same community VLAN. Because you can enable spanning tree on ENIs, but not on UNIs, you should use caution when configuring ENIs and UNIs in the same community VLAN. UNIs are always in the forwarding state.

Network node interfaces (NNIs) are not affected by the type of UNI-ENI VLAN to which they belong. Switching can occur between NNIs and other NNIs or UNIs or ENIs on the switch or other switches that are part of the same VLAN, regardless of VLAN type.

In the configuration in [Figure 12-2](#), if VLAN 10 is a UNI-ENI isolated VLAN and VLAN 20 is a UNI-ENI community VLAN, local switching does not take place among Fast Ethernet ports 1-4, but local switching can occur between Fast Ethernet ports 6-10. The NNIs in both VLAN 10 and VLAN 20 can exchange packets with the UNIs or ENIs in the same VLAN.

**Figure 12-2** UNI-ENI Isolated and Community VLANs in the Cisco ME Switch



A UNI or ENI can be an access port, a trunk port, a private VLAN port, or an IEEE 802.1Q tunnel port. It can also be a member of an EtherChannel.



When a UNI or ENI configured as an IEEE 802.1Q trunk port belongs to a UNI-ENI isolated VLAN, the VLAN on the trunk is isolated from the same VLAN ID on a different trunk port or an access port. Other VLANs on the trunk port can be of different types (private VLAN, UNI-ENI community VLAN, and so on). For example, a UNI access port and one VLAN on a UNI trunk port can belong to the same UNI-ENI isolated VLAN. In this case, isolation occurs between the UNI access port and the VLAN on the UNI trunk port. Other access ports and other VLANs on the trunk port are isolated because they belong to different VLANs.

UNIs, ENIs, and NNIs are always isolated from ports on different VLANs.

## Creating and Modifying VLANs

You use VLAN configuration mode, accessed by entering the **vlan** global configuration command to create VLANs and to modify some parameters. You use the interface configuration mode to define the port membership mode and to add and remove ports from VLANs. The results of these commands are written to the running-configuration file, and you can display the file by entering the **show running-config** privileged EXEC command.

These sections contain VLAN configuration information:

- [Default Ethernet VLAN Configuration, page 12-7](#)
- [VLAN Configuration Guidelines, page 12-8](#)
- [Creating or Modifying an Ethernet VLAN, page 12-9](#)
- [Assigning Static-Access Ports to a VLAN, page 12-11](#)
- [Creating an Extended-Range VLAN with an Internal VLAN ID, page 12-12](#)
- [Configuring UNI-ENI VLANs, page 12-12](#)

For more efficient management of the MAC address table space available on the switch, you can control which VLANs learn MAC addresses by disabling MAC address learning on specific VLANs. See the [“Disabling MAC Address Learning on a VLAN”](#) section on page 5-29 for more information.

## Default Ethernet VLAN Configuration

The switch supports only Ethernet interfaces. [Table 12-2](#) shows the default configuration for Ethernet VLANs.



### Note

On extended-range VLANs, you can change only the MTU size, the private VLAN, the remote SPAN, and the UNI-ENI VLAN configuration. All other characteristics must remain at the default conditions.

Table 12-2 Ethernet VLAN Defaults and Ranges

Parameter	Default	Range
VLAN ID	1	1 to 4094. <b>Note</b> Extended-range VLANs (VLAN IDs 1006 to 4094) are not saved in the VLAN database.
VLAN name	VLANxxxx, where xxxx represents four numeric digits (including leading zeros) equal to the VLAN ID number	No range
IEEE 802.10 SAID	100001 (100000 plus the VLAN ID)	1 to 4294967294
MTU size	1500	1500 to 9198
Translational bridge 1	0	0 to 1005
Translational bridge 2	0	0 to 1005
VLAN state	active	active, suspend
Remote SPAN	disabled	enabled, disabled
Private VLANs	none configured	2 to 1001, 1006 to 4094.
UNI-ENI VLAN	UNI-ENI isolated VLAN	2 to 1001, 1006 to 4094. VLAN 1 is always a UNI-ENI isolated VLAN.

## VLAN Configuration Guidelines

Follow these guidelines when creating and modifying VLANs in your network:

- The switch supports 1005 VLANs.
- Normal-range Ethernet VLANs are identified with a number between 1 and 1001. VLAN numbers 1002 through 1005 are reserved for Token Ring and FDDI VLANs.
- The switch does not support Token Ring or FDDI media. The switch does not forward FDDI, FDDI-Net, TrCRF, or TrBRF traffic.
- VLAN configurations for VLANs 1 to 1005 are always saved in the VLAN database and in the switch running configuration file.
- Configuration options for VLAN IDs 1006 through 4094 (extended-range VLANs) are limited to MTU, RSPAN VLAN, private VLAN, and UNI-ENI VLAN. Extended-range VLANs are not saved in the VLAN database.

- Spanning Tree Protocol (STP) is enabled by default for only NNIs on all VLANs. You can configure STP on ENIs. NNIs and ENIs in the same VLAN are in the same spanning-tree instance. The switch supports 128 spanning-tree instances. If a switch has more active VLANs than supported spanning-tree instances, spanning tree can be enabled on 128 VLANs and is disabled on the remaining VLANs. If you have already used all available spanning-tree instances on a switch, adding another VLAN creates a VLAN on that switch that is not running spanning tree. If you have the default allowed list on the trunk ports of that switch (which is to allow all VLANs), the new VLAN is carried on all trunk ports. Depending on the topology of the network, this could create a loop in the new VLAN that would not be broken, particularly if there are several adjacent switches that all have run out of spanning-tree instances. You can prevent this possibility by setting allowed lists on the trunk ports of switches that have used up their allocation of spanning-tree instances.

If the number of VLANs on the switch exceeds the number of supported spanning-tree instances, we recommend that you configure the IEEE 802.1s Multiple STP (MSTP) on your switch to map multiple VLANs to a single spanning-tree instance. For more information about MSTP, see [Chapter 16, “Configuring MSTP.”](#)




---

**Note** MSTP is supported only on NNIs on ENIs on which STP has been enabled.

---

- Each routed port on the switch creates an internal VLAN for its use. These internal VLANs use extended-range VLAN numbers, and the internal VLAN ID cannot be used for an extended-range VLAN. If you try to create an extended-range VLAN with a VLAN ID that is already allocated as an internal VLAN, an error message is generated, and the command is rejected.
  - Because internal VLAN IDs are in the lower part of the extended range, we recommend that you create extended-range VLANs beginning from the highest number (4094) and moving to the lowest (1006) to reduce the possibility of using an internal VLAN ID.
  - Before configuring extended-range VLANs, enter the **show vlan internal usage** privileged EXEC command to see which VLANs have been allocated as internal VLANs.
  - If necessary, you can shut down the routed port assigned to the internal VLAN, which frees up the internal VLAN, and then create the extended-range VLAN and re-enable the port, which then uses another VLAN as its internal VLAN. See the [“Creating an Extended-Range VLAN with an Internal VLAN ID”](#) section on page 12-12.
- Although the switch supports a total of 1005 (normal-range and extended-range) VLANs, the number of routed ports, SVIs, and other configured features affects the use of the switch hardware. If you try to create an extended-range VLAN and there are not enough hardware resources available, an error message is generated, and the extended-range VLAN is rejected.

## Creating or Modifying an Ethernet VLAN

To access VLAN configuration mode, enter the **vlan** global configuration command with a VLAN ID. Enter a new VLAN ID to create a VLAN, or enter an existing VLAN ID to modify that VLAN. You can use the default VLAN configuration ([Table 12-2](#)) or enter commands to configure the VLAN.



**Note**

---

Extended-range VLANs use the default Ethernet VLAN characteristics and the MTU, the private VLAN, the RSPAN, and the UNI-ENI VLAN configurations are the only parameters you can change.

---

For more information about commands available in this mode, see the **vlan** command description in the command reference for this release. When you have finished the configuration, you must exit VLAN configuration mode for the configuration to take effect. To display the VLAN configuration, enter the **show vlan** privileged EXEC command.

The configurations of VLAN IDs 1 to 1005 are always saved in the VLAN database (vlan.dat file) with a VLAN number and name and in the switch running configuration file. Extended-range VLANs are not saved in the VLAN database; they are saved in the switch running configuration file. You can save the VLAN configuration in the switch startup configuration file by using the **copy running-config startup-config** privileged EXEC command.

**Note**

Before you create an extended-range VLAN, you can verify that the VLAN ID is not used internally by entering the **show vlan internal usage** privileged EXEC command. If the VLAN ID is used internally and you want to release it, go to the [“Creating an Extended-Range VLAN with an Internal VLAN ID” section on page 12-12](#) before creating the extended-range VLAN.

Beginning in privileged EXEC mode, follow these steps to create or modify an Ethernet VLAN:

	Command	Purpose
Step 1	<b>configure terminal</b>	Enter global configuration mode.
Step 2	<b>vlan</b> <i>vlan-id</i>	Enter a VLAN ID, and enter VLAN configuration mode. Enter a new VLAN ID to create a VLAN, or enter an existing VLAN ID to modify that VLAN. The available VLAN ID range for this command is 1 to 4094.  <b>Note</b> When you create a new VLAN, by default the VLAN is a UNI-ENI isolated VLAN.
Step 3	<b>name</b> <i>vlan-name</i>	(Optional and supported on normal-range VLANs only) Enter a name for the VLAN. If no name is entered for the VLAN, the default in the VLAN database is to append the <i>vlan-id</i> with leading zeros to the word VLAN. For example, VLAN0004 is a default VLAN name for VLAN 4.
Step 4	<b>mtu</b> <i>mtu-size</i>	(Optional) Change the MTU size.
Step 5	<b>end</b>	Return to privileged EXEC mode.
Step 6	<b>show vlan</b> { <b>name</b> <i>vlan-name</i> / <b>id</b> <i>vlan-id</i> }	Verify your entries. The <b>name</b> option is only valid for VLAN IDs 1 to 1005.
Step 7	<b>copy running-config startup config</b>	(Optional) Save the configuration in the switch startup configuration file.

To delete a VLAN, use the **no vlan** *vlan-id* global configuration command. You cannot delete VLAN 1 or VLANs 1002 to 1005.

**Caution**

When you delete a VLAN, any ports assigned to that VLAN become inactive. They remain associated with the VLAN (and thus inactive) until you assign them to a new VLAN.

To return the VLAN name to the default settings, use the **no name** or **no mtu** VLAN configuration command.

This example shows how to create Ethernet VLAN 20, name it *test20*, and add it to the VLAN database:

```
Switch# configure terminal
Switch(config)# vlan 20
Switch(config-vlan)# name test20
Switch(config-vlan)# end
```

This example shows how to create a new extended-range VLAN with all default characteristics, enter config-vlan mode, and save the new VLAN in the switch startup configuration file:

```
Switch(config)# vlan 2000
Switch(config-vlan)# end
Switch# copy running-config startup config
```

## Assigning Static-Access Ports to a VLAN

You can assign a static-access port to a VLAN.



### Note

If you assign an interface to a VLAN that does not exist, the new VLAN is created. (See the “[Creating or Modifying an Ethernet VLAN](#)” section on page 12-9.)

Beginning in privileged EXEC mode, follow these steps to assign a port to a VLAN in the VLAN database:

	Command	Purpose
Step 1	<b>configure terminal</b>	Enter global configuration mode
Step 2	<b>interface</b> <i>interface-id</i>	Enter the interface to be added to the VLAN.
Step 3	<b>no shutdown</b>	Enable the port, if necessary. By default, UNIs and ENIs are disabled, and NNIs are enabled.
Step 4	<b>switchport mode access</b>	Define the VLAN membership mode for the port (Layer 2 access port).
Step 5	<b>switchport access vlan</b> <i>vlan-id</i>	Assign the port to a VLAN. Valid VLAN IDs are 1 to 4094.
Step 6	<b>end</b>	Return to privileged EXEC mode.
Step 7	<b>show running-config interface</b> <i>interface-id</i>	Verify the VLAN membership mode of the interface.
Step 8	<b>show interfaces</b> <i>interface-id</i> <b>switchport</b>	Verify your entries in the <i>Administrative Mode</i> and the <i>Access Mode VLAN</i> fields of the display.
Step 9	<b>copy running-config startup-config</b>	(Optional) Save your entries in the configuration file.

To return an interface to its default configuration, use the **default interface** *interface-id* interface configuration command.

This example shows how to configure a port as an access port in VLAN 2:

```
Switch# configure terminal
Enter configuration commands, one per line. End with CNTL/Z.
Switch(config)# interface fastethernet0/1
Switch(config-if)# switchport mode access
Switch(config-if)# switchport access vlan 2
Switch(config-if)# end
```

## Creating an Extended-Range VLAN with an Internal VLAN ID

If you enter an extended-range VLAN ID that is already assigned to an internal VLAN, an error message appears, and the extended-range VLAN is rejected. To manually release an internal VLAN ID, you must temporarily shut down the routed port that is using the internal VLAN ID.

Beginning in privileged EXEC mode, follow these steps to release a VLAN ID that is assigned to an internal VLAN and to create an extended-range VLAN with that ID:

	Command	Purpose
Step 1	<b>show vlan internal usage</b>	Display the VLAN IDs being used internally by the switch. If the VLAN ID that you want to use is an internal VLAN, the display shows the routed port that is using the VLAN ID. Enter that port number in Step 3.
Step 2	<b>configure terminal</b>	Enter global configuration mode.
Step 3	<b>interface</b> <i>interface-id</i>	Specify the interface ID for the routed port that is using the VLAN ID, and enter interface configuration mode.
Step 4	<b>shutdown</b>	Shut down the port to release the internal VLAN ID.
Step 5	<b>exit</b>	Return to global configuration mode.
Step 6	<b>vlan</b> <i>vlan-id</i>	Enter the new extended-range VLAN ID, and enter config-vlan mode.
Step 7	<b>exit</b>	Exit from config-vlan mode, and return to global configuration mode.
Step 8	<b>interface</b> <i>interface-id</i>	Specify the interface ID for the routed port that you shut down in Step 4, and enter interface configuration mode.
Step 9	<b>no shutdown</b>	Re-enable the routed port. It will be assigned a new internal VLAN ID.
Step 10	<b>end</b>	Return to privileged EXEC mode.
Step 11	<b>copy running-config startup config</b>	(Optional) Save your entries in the switch startup configuration file.

## Configuring UNI-ENI VLANs

By default, every VLAN configured on the switch is a UNI-ENI isolated VLAN. You can change VLAN configuration to that of a UNI-ENI community VLAN, a private VLAN, or an RSPAN VLAN. You can also change the configuration of one of these VLANs to the default of a UNI-ENI isolated VLAN.

### Configuration Guidelines

These are the guidelines for UNI-ENI VLAN configuration:

- UNI-ENI isolated VLANs have no effect on NNI ports.
- A UNI-ENI community VLAN is like a traditional VLAN except that it can include no more than a combination of eight UNIs and ENIs.
- To change a VLAN type, first enter the **vlan** *vlan-id* global configuration command to enter VLAN configuration mode:
  - To change a VLAN from UNI-ENI isolated VLAN to a private VLAN, enter the **private-vlan** VLAN configuration command.

- To change a UNI-ENI community VLAN to a private VLAN, you must first remove the community VLAN type by entering the **no uni-vlan** VLAN configuration command. Then enter the **private-vlan** VLAN configuration command.
- To change a VLAN from a UNI-ENI isolated VLAN to an RSPAN VLAN, enter the **rspan-vlan** VLAN configuration command.
- To change a UNI-ENI community VLAN to an RSPAN VLAN, you must first remove the community VLAN type by entering the **no uni-vlan** VLAN configuration command. Then enter the **rspan-vlan** VLAN configuration command.
- To change a private VLAN to a UNI-ENI VLAN, you must first remove the private VLAN type by entering the **no private-vlan** VLAN configuration command. Then enter the **uni-vlan** VLAN configuration command.
- To change an RSPAN VLAN to a UNI-ENI VLAN, you must first remove the RSPAN VLAN type by entering the **no rspan-vlan** VLAN configuration command. Then enter the **uni-vlan** VLAN configuration command
- The switch supports a total of eight UNIs and ENIs in a community VLAN. You cannot configure a VLAN as a UNI-ENI community VLAN if more than eight UNIs and ENIs belong to the VLAN.
- If you attempt to add a UNI or ENI static access port to a UNI-ENI community VLAN that has a combination of eight UNIs and ENIs, the configuration is refused. If a UNI or ENI dynamic access port is added to a UNI-ENI community VLAN that has eight UNIs or ENIs, the port is error-disabled.
- Use caution when configuring ENIs and UNIs in the same community VLAN. Local switching takes place between the ENIs and UNIs in the community VLAN and ENIs can support spanning tree while UNIs do not.

## Configuring UNI-ENI VLANs

By default, every VLAN created on the switch is a UNI-ENI isolated VLAN. You can change the configuration to UNI-ENI community VLAN or to a private VLAN or RSPAN VLAN. For procedures for configuring private VLANs or RSPAN VLANs, see [Chapter 13, “Configuring Private VLANs”](#) and [Chapter 27, “Configuring SPAN and RSPAN.”](#)

Beginning in privileged EXEC mode, follow these steps to change the type of a UNI-ENI VLAN:

	Command	Purpose
Step 1	<b>configure terminal</b>	Enter global configuration mode.
Step 2	<b>vlan <i>vlan-id</i></b>	Enter a VLAN ID, and enter VLAN configuration mode. Enter a new VLAN ID to create a VLAN, or enter an existing VLAN ID to modify that VLAN. By default, the VLAN is a UNI-ENI isolated VLAN.  <b>Note</b> The available VLAN ID range for this command is 1 to 4094.
Step 3	<b>uni-vlan { <i>community</i>   <i>isolated</i> }</b>	Configure the UNI-ENI VLAN type. <ul style="list-style-type: none"> <li>• Enter <b>community</b> to change from the default to a UNI-ENI community VLAN.</li> <li>• Enter <b>isolated</b> to return to the default UNI-ENI isolated VLAN.</li> </ul> <b>Note</b> VLAN 1 is always a UNI-ENI isolated VLAN; you cannot configure VLAN 1 as a UNI-ENI community VLAN. The reserved VLANs 1002 to 1005 are not Ethernet VLANs.

	Command	Purpose
Step 4	<b>end</b>	Return to privileged EXEC mode.
Step 5	<b>show vlan uni-vlan [type]</b>	Display UNI-ENI VLAN information. Enter <b>type</b> (optional) to see only the VLAN ID and type of UNI-ENI VLAN.
Step 6	<b>copy running-config startup config</b>	(Optional) Save the configuration in the switch startup configuration file.

Use the **no uni-vlan** VLAN configuration command to return to the default (UNI-ENI isolated VLAN). Entering **uni-vlan isolated** command has the same effect as entering the **no uni-vlan** VLAN configuration command. The **show vlan** and **show vlan vlan-id** privileged EXEC commands also display UNI-ENI VLAN information, but only UNI-ENI community VLANs appear. To display both isolated and community VLANs, use the **show vlan uni-vlan type** command.

## Displaying VLANs

Use the **show vlan** privileged EXEC command to display a list of all VLANs on the switch, including extended-range VLANs. The display includes VLAN status, ports, and configuration information. [Table 12-3](#) lists other privileged EXEC commands for monitoring VLANs.

**Table 12-3** VLAN Monitoring Commands

Command	Purpose
<b>show interfaces [vlan vlan-id]</b>	Display characteristics for all interfaces or for the specified VLAN configured on the switch.
<b>show vlan [id vlan-id]</b>	Display parameters for all VLANs or the specified VLAN on the switch.
<b>show vlan [vlan-name] uni-vlan type</b>	Display UNI-ENI isolated or UNI-ENI community VLANs by VLAN name.
<b>show vlan uni-vlan</b>	Display UNI-ENI community VLANs and associated ports on the switch.
<b>show vlan uni-vlan type</b>	Display UNI-ENI isolated and UNI-ENI community VLANs on the switch by VLAN ID.

For more details about the **show** command options and explanations of output fields, see the command reference for this release.

## Configuring VLAN Trunks

- [Trunking Overview, page 12-15](#)
- [Default Layer 2 Ethernet Interface VLAN Configuration, page 12-16](#)
- [Configuring an Ethernet Interface as a Trunk Port, page 12-16](#)
- [Configuring Trunk Ports for Load Sharing, page 12-19](#)



## Trunking Overview

A trunk is a point-to-point link between one or more Ethernet switch interfaces and another networking device such as a router or a switch. Ethernet trunks carry the traffic of multiple VLANs over a single link, and you can extend the VLANs across an entire network. The switch supports the IEEE 802.1Q industry-standard trunking encapsulation.

You can configure a trunk on a single Ethernet interface or on an EtherChannel bundle. For more information about EtherChannels, see [Chapter 35, “Configuring EtherChannels and Link-State Tracking.”](#)

Ethernet interfaces support different trunking modes (see [Table 12-4](#)). You can set an interface as trunking or nontrunking.

- If you do not intend to trunk across links, use the **switchport mode access** interface configuration command to disable trunking.
- To enable trunking, use the **switchport mode trunk** interface configuration command to change the interface to a trunk.

**Table 12-4** Layer 2 Interface Modes

Mode	Function
<b>switchport mode access</b>	Puts the interface (access port) into permanent nontrunking mode and negotiates to convert the link into a nontrunk link. The interface becomes a nontrunk interface regardless of whether or not the neighboring interface is a trunk interface. This is the default mode.
<b>switchport mode trunk</b>	Puts the interface into permanent trunking mode and negotiates to convert the neighboring link into a trunk link. The interface becomes a trunk interface even if the neighboring interface is not a trunk interface.
<b>switchport mode dot1q-tunnel</b>	Configures the interface as a tunnel (nontrunking) port to be connected in an asymmetric link with an IEEE 802.1Q trunk port. The IEEE 802.1Q tunneling is used to maintain customer VLAN integrity across a service provider network. See <a href="#">Chapter 14, “Configuring IEEE 802.1Q Tunneling, VLAN Mapping, 802.1ad, and Layer 2 Protocol Tunneling,”</a> for more information on tunnel ports.
<b>switchport mode private-vlan</b>	Configure the interface as a private VLAN host or promiscuous port (only NNIs can be configured as promiscuous ports). For information about private VLANs, see <a href="#">Chapter 13, “Configuring Private VLANs.”</a>

## IEEE 802.1Q Configuration Considerations

The IEEE 802.1Q trunks impose these limitations on the trunking strategy for a network:

- In a network of Cisco switches connected through IEEE 802.1Q trunks, the switches maintain one spanning-tree instance for each VLAN allowed on the trunks. Non-Cisco devices might support one spanning-tree instance for all VLANs.

When you connect a Cisco switch to a non-Cisco device through an IEEE 802.1Q trunk, the Cisco switch combines the spanning-tree instance of the VLAN of the trunk with the spanning-tree instance of the non-Cisco IEEE 802.1Q switch. However, spanning-tree information for each VLAN is maintained by Cisco switches separated by a cloud of non-Cisco IEEE 802.1Q switches. The non-Cisco IEEE 802.1Q cloud separating the Cisco switches is treated as a single trunk link between the switches.

- Make sure that the native VLAN for an IEEE 802.1Q trunk is the same on both ends of the trunk link. If the native VLAN on one end of the trunk is different from the native VLAN on the other end, spanning-tree loops might result.
- Disabling spanning tree on the native VLAN of an IEEE 802.1Q trunk without disabling spanning tree on every VLAN in the network can potentially cause spanning-tree loops. We recommend that you leave spanning tree enabled on the native VLAN of an IEEE 802.1Q trunk or disable spanning tree on every VLAN in the network. Make sure that your network is loop-free before disabling spanning tree.

## Default Layer 2 Ethernet Interface VLAN Configuration

Table 12-5 shows the default Layer 2 Ethernet interface VLAN configuration.

**Table 12-5** Default Layer 2 Ethernet Interface VLAN Configuration

Feature	Default Setting
Interface mode	<b>switchport mode access</b>
Allowed VLAN range	VLANs 1 to 4094
Default VLAN (for access ports)	VLAN 1
Native VLAN (for IEEE 802.1Q trunks)	VLAN 1

## Configuring an Ethernet Interface as a Trunk Port

- [Interaction with Other Features, page 12-16](#)
- [Defining the Allowed VLANs on a Trunk, page 12-18](#)
- [Configuring the Native VLAN for Untagged Traffic, page 12-19](#)
- [Configuring the Native VLAN for Untagged Traffic, page 12-19](#)

## Interaction with Other Features

Trunking interacts with other features in these ways:

- A trunk port cannot be a secure port.
- A trunk port cannot be a tunnel port.
- Trunk ports can be grouped into EtherChannel port groups, but all trunks in the group must have the same configuration. When a group is first created, all ports follow the parameters set for the first port to be added to the group. If you change the configuration of one of these parameters, the switch propagates the setting that you entered to all ports in the group:
  - allowed-VLAN list.
  - STP port priority for each VLAN.
  - STP Port Fast setting.



**Note** STP is supported by default on NNIs, but must be enabled on ENIs. STP is not supported on UNIs.

- trunk status: if one port in a port group ceases to be a trunk, all ports cease to be trunks.
- If you try to enable IEEE 802.1x on a trunk port, an error message appears, and IEEE 802.1x is not enabled. If you try to change the mode of an IEEE 802.1x-enabled port to trunk, the port mode is not changed.

## Configuring a Trunk Port

Beginning in privileged EXEC mode, follow these steps to configure a port as an IEEE 802.1Q trunk port:

	Command	Purpose
Step 1	<b>configure terminal</b>	Enter global configuration mode.
Step 2	<b>interface</b> <i>interface-id</i>	Specify the port to be configured for trunking, and enter interface configuration mode.
Step 3	<b>no shutdown</b>	Enable the port, if necessary. By default, UNIs and ENIs are disabled, and NNIs are enabled.
Step 4	<b>switchport mode trunk</b>	Configure the interface as a Layer 2 trunk.
Step 5	<b>switchport access vlan</b> <i>vlan-id</i>	(Optional) Specify the default VLAN, which is used if the interface stops trunking.
Step 6	<b>switchport trunk native vlan</b> <i>vlan-id</i>	Specify the native VLAN for IEEE 802.1Q trunks.
Step 7	<b>end</b>	Return to privileged EXEC mode.
Step 8	<b>show interfaces</b> <i>interface-id</i> <b>switchport</b>	Display the switchport configuration of the interface in the <i>Administrative Mode</i> field of the display.
Step 9	<b>show interfaces</b> <i>interface-id</i> <b>trunk</b>	Display the trunk configuration of the interface.
Step 10	<b>copy running-config startup-config</b>	(Optional) Save your entries in the configuration file.

To return an interface to its default configuration, use the **default interface** *interface-id* interface configuration command. To reset all trunking characteristics of a trunking interface to the defaults, use the **no switchport trunk** interface configuration command. To disable trunking, use the **switchport mode access** interface configuration command to configure the port as a static-access port.

This example shows how to configure a port as an IEEE 802.1Q trunk with VLAN 33 as the native VLAN:

```
Switch# configure terminal
Enter configuration commands, one per line. End with CNTL/Z.
Switch(config)# interface fastethernet0/2
Switch(config-if)# switchport mode trunk
Switch(config-if)# switchport trunk native vlan 33
Switch(config-if)# end
```

## Defining the Allowed VLANs on a Trunk

By default, a trunk port sends traffic to and receives traffic from all VLANs. All VLAN IDs, 1 to 4094, are allowed on each trunk. However, you can remove VLANs from the allowed list, preventing traffic from those VLANs from passing over the trunk. To restrict the traffic a trunk carries, use the **switchport trunk allowed vlan remove *vlan-list*** interface configuration command to remove specific VLANs from the allowed list.



### Note

VLAN 1 is the default VLAN on all trunk ports in all Cisco switches, and it has previously been a requirement that VLAN 1 always be enabled on every trunk link. The VLAN 1 minimization feature allows you to disable VLAN 1 on any individual VLAN trunk link so that no user traffic (including spanning-tree advertisements) is sent or received on VLAN 1. You do this by removing VLAN 1 from the allowed VLAN list.

To reduce the risk of spanning-tree loops or storms, you can disable VLAN 1 on any individual VLAN trunk port by removing VLAN 1 from the allowed list. When you remove VLAN 1 from a trunk port, the interface continues to send and receive management traffic, for example, Cisco Discovery Protocol (CDP), Port Aggregation Protocol (PAgP), and Link Aggregation Control Protocol (LACP) in VLAN 1.

If a trunk port with VLAN 1 disabled is converted to a nontrunk port, it is added to the access VLAN. If the access VLAN is set to 1, the port is added to VLAN 1, regardless of the **switchport trunk allowed** setting. The same is true for any VLAN that has been disabled on the port.

A trunk port can become a member of a VLAN if the VLAN is enabled and if the VLAN is in the allowed list for the port.

Beginning in privileged EXEC mode, follow these steps to modify the allowed list of an IEEE 802.1Q trunk:

	Command	Purpose
Step 1	<b>configure terminal</b>	Enter global configuration mode.
Step 2	<b>interface <i>interface-id</i></b>	Specify the port to be configured, and enter interface configuration mode.
Step 3	<b>no shutdown</b>	Enable the port, if necessary. By default, UNIs and ENIs are disabled, and NNIs are enabled.
Step 4	<b>switchport mode trunk</b>	Configure the interface as a VLAN trunk port.
Step 5	<b>switchport trunk allowed vlan {add   all   except   remove} <i>vlan-list</i></b>	<p>(Optional) Configure the list of VLANs allowed on the trunk.</p> <p>For explanations about using the <b>add</b>, <b>all</b>, <b>except</b>, and <b>remove</b> keywords, see the command reference for this release.</p> <p>The <i>vlan-list</i> parameter is either a single VLAN number from 1 to 4094 or a range of VLANs described by two VLAN numbers, the lower one first, separated by a hyphen. Do not enter any spaces between comma-separated VLAN parameters or in hyphen-specified ranges.</p> <p>All VLANs are allowed by default.</p>
Step 6	<b>end</b>	Return to privileged EXEC mode.
Step 7	<b>show interfaces <i>interface-id</i> switchport</b>	Verify your entries in the <i>Trunking VLANs Enabled</i> field of the display.
Step 8	<b>copy running-config startup-config</b>	(Optional) Save your entries in the configuration file.

To return to the default allowed VLAN list of all VLANs, use the **no switchport trunk allowed vlan** interface configuration command.

This example shows how to remove VLAN 2 from the allowed VLAN list on a port:

```
Switch(config)# interface fastethernet0/1
Switch(config-if)# switchport trunk allowed vlan remove 2
Switch(config-if)# end
```

## Configuring the Native VLAN for Untagged Traffic

A trunk port configured with IEEE 802.1Q tagging can receive both tagged and untagged traffic. By default, the switch forwards untagged traffic in the native VLAN configured for the port. The native VLAN is VLAN 1 by default.



**Note** The native VLAN can be assigned any VLAN ID.

For information about IEEE 802.1Q configuration issues, see the [“IEEE 802.1Q Configuration Considerations” section on page 12-15](#).

Beginning in privileged EXEC mode, follow these steps to configure the native VLAN on an IEEE 802.1Q trunk:

	Command	Purpose
Step 1	<b>configure terminal</b>	Enter global configuration mode.
Step 2	<b>interface</b> <i>interface-id</i>	Define the interface that is configured as the IEEE 802.1Q trunk, and enter interface configuration mode.
Step 3	<b>no shutdown</b>	Enable the port, if necessary. By default, UNIs and ENIs are disabled and NNIs are enabled.
Step 4	<b>switchport trunk native vlan</b> <i>vlan-id</i>	Configure the VLAN that is sending and receiving untagged traffic on the trunk port. For <i>vlan-id</i> , the range is 1 to 4094.
Step 5	<b>end</b>	Return to privileged EXEC mode.
Step 6	<b>show interfaces</b> <i>interface-id</i> <b>switchport</b>	Verify your entries in the <i>Trunking Native Mode VLAN</i> field.
Step 7	<b>copy running-config startup-config</b>	(Optional) Save your entries in the configuration file.

To return to the default native VLAN, VLAN 1, use the **no switchport trunk native vlan** interface configuration command.

If a packet has a VLAN ID that is the same as the sending port native VLAN ID, the packet is sent untagged; otherwise, the switch sends the packet with a tag.

## Configuring Trunk Ports for Load Sharing

Load sharing divides the bandwidth supplied by parallel trunks that connect switches. To avoid loops, STP normally blocks all but one parallel link between switches. Using load sharing, you divide the traffic between the links according to the VLAN to which the traffic belongs.

You configure load sharing on trunk ports that have STP enabled by using STP port priorities or STP path costs. For load sharing using STP port priorities, both load-sharing links must be connected to the same switch. For load sharing using STP path costs, each load-sharing link can be connected to the same switch or to two different switches. For more information about STP, see [Chapter 15, “Configuring STP.”](#)

## Load Sharing Using STP Port Priorities

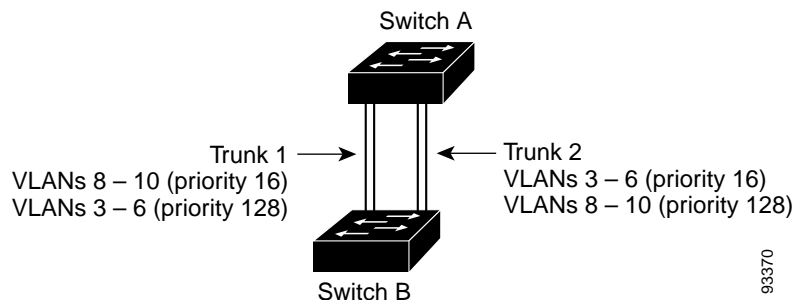
When two ports on the same switch form a loop, the switch uses the STP port priority to decide which port is enabled and which port is in a blocking state. You can set the priorities on a parallel STP trunk port so that the port carries all the traffic for a given VLAN. The trunk port with the higher priority (lower values) for a VLAN is forwarding traffic for that VLAN. The trunk port with the lower priority (higher values) for the same VLAN remains in a blocking state for that VLAN. One trunk port sends or receives all traffic for the VLAN.

[Figure 12-3](#) shows two trunks connecting supported switches. In this example, the switches are configured as follows:

- VLANs 8 through 10 are assigned a port priority of 16 on Trunk 1.
- VLANs 3 through 6 retain the default port priority of 128 on Trunk 1.
- VLANs 3 through 6 are assigned a port priority of 16 on Trunk 2.
- VLANs 8 through 10 retain the default port priority of 128 on Trunk 2.

In this way, Trunk 1 carries traffic for VLANs 8 through 10, and Trunk 2 carries traffic for VLANs 3 through 6. If the active trunk fails, the trunk with the lower priority takes over and carries the traffic for all of the VLANs. No duplication of traffic occurs over any trunk port.

**Figure 12-3** Load Sharing by Using STP Port Priorities



Beginning in privileged EXEC mode on Switch A, follow these steps to configure the network shown in [Figure 12-3](#). Note that you can use any interface numbers; those shown are examples only.

	Command	Purpose
Step 8	<b>show vlan</b>	Verify that the referenced VLANs exist on Switch A. If not, create the VLANs by entering the VLAN IDs.
Step 9	<b>configure terminal</b>	Enter global configuration mode.
Step 10	<b>interface gigabitethernet 0/1</b>	Define the interface to be configured as the Trunk 1 interface, and enter interface configuration mode.
Step 11	<b>port-type {nni   eni}</b>	Configure the interface as an NNI or ENI. UNIs do not support STP. If you configure the port as an ENI, you must also enable STP on the port by entering the <b>spanning-tree</b> interface configuration command.

	Command	Purpose
Step 12	<b>switchport mode trunk</b>	Configure the port as a trunk port.
Step 13	<b>spanning-tree vlan 8-10 port-priority 16</b>	Assign the port priority of 16 for VLANs 8 through 10 on Trunk 1.
Step 14	<b>end</b>	Return to privileged EXEC mode.
Step 15	<b>show interfaces gigabitethernet 0/1 switchport</b>	Verify the port configuration.
Step 16	<b>configure terminal</b>	Enter global configuration mode.
Step 17	<b>interface gigabitethernet 0/2</b>	Define the interface to be configured as the Trunk 2 interface, and enter interface configuration mode.
Step 18	<b>port-type {nni   eni}</b>	Configure the interface as an NNI or ENI. UNIs do not support STP. If you configure the port as an ENI, you must also enable STP on the port by entering the <b>spanning-tree</b> interface configuration command.
Step 19	<b>switchport mode trunk</b>	Configure the port as a trunk port.
Step 20	<b>spanning-tree vlan 3-6 port-priority 16</b>	Assign the port priority of 16 for VLANs 3 through 6 on Trunk 2.
Step 21	<b>end</b>	Return to privileged EXEC mode.
Step 22	<b>show interfaces gigabitethernet 0/2 switchport</b>	Verify the port configuration.
Step 23	<b>show running-config</b>	Verify your entries.
Step 24	<b>copy running-config startup-config</b>	(Optional) Save your entries in the configuration file.

Follow the same steps on Switch B to configure the trunk port for Trunk 1 with a spanning-tree port priority of 16 for VLANs 8 through 10, and the configure trunk port for Trunk 2 with a spanning-tree port priority of 16 for VLANs 3 through 6.

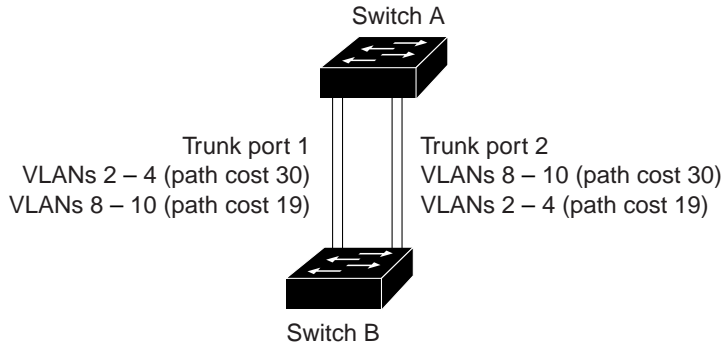
## Load Sharing Using STP Path Cost

You can configure parallel trunks to share VLAN traffic by setting different path costs on a trunk and associating the path costs with different sets of VLANs, blocking different ports for different VLANs. The VLANs keep the traffic separate and maintain redundancy in the event of a lost link.

In [Figure 12-4](#), Trunk ports 1 and 2 are configured as 100Base-T ports. These VLAN path costs are assigned:

- VLANs 2 through 4 are assigned a path cost of 30 on Trunk port 1.
- VLANs 8 through 10 retain the default 100Base-T path cost on Trunk port 1 of 19.
- VLANs 8 through 10 are assigned a path cost of 30 on Trunk port 2.
- VLANs 2 through 4 retain the default 100Base-T path cost on Trunk port 2 of 19.

Figure 12-4 Load-Sharing Trunks with Traffic Distributed by Path Cost



90573

Beginning in privileged EXEC mode, follow these steps to configure the network shown in [Figure 12-4](#):

	Command	Purpose
Step 1	<b>configure terminal</b>	Enter global configuration mode on Switch A.
Step 2	<b>interface fastethernet0/1</b>	Define the interface to be configured as Trunk port 1, and enter interface configuration mode.
Step 3	<b>port-type {nni   eni}</b>	Configure the interface as an NNI or ENI. UNIs do not support STP. If you configure the port as an ENI, you must also enable STP on the port by entering the <b>spanning-tree</b> interface configuration command.
Step 4	<b>switchport mode trunk</b>	Configure the port as a trunk port.
Step 5	<b>exit</b>	Return to global configuration mode.
Step 6	<b>interface fastethernet0/2</b>	Define the interface to be configured as Trunk port 2, and enter interface configuration mode.
Step 7	<b>port-type {nni   eni}</b>	Configure the interface as an NNI or ENI. UNIs do not support STP. If you configure the port as an ENI, you must also enable STP on the port by entering the <b>spanning-tree</b> interface configuration command.
Step 8	<b>switchport mode trunk</b>	Configure the port as a trunk port.
Step 9	<b>end</b>	Return to privileged EXEC mode.
Step 10	<b>show running-config</b>	Verify your entries. In the display, make sure that the interfaces configured in Steps 2 and 7 are configured as trunk ports.
Step 11	<b>show vlan</b>	Verify that VLANs 2 through 4 and 8 through 10 are configured on Switch A. If not, create these VLANs.
Step 12	<b>configure terminal</b>	Enter global configuration mode.
Step 13	<b>interface fastethernet0/1</b>	Enter interface configuration mode for Trunk port 2.
Step 14	<b>spanning-tree vlan 2-4 cost 30</b>	Set the spanning-tree path cost to 30 for VLANs 2 through 4.
Step 15	<b>exit</b>	Return to global configuration mode.
Step 16	<b>interface fastethernet0/2</b>	Enter interface configuration mode for Trunk port 2.
Step 17	<b>spanning-tree vlan 8-10 cost 30</b>	Set the spanning-tree path cost to 30 for VLANs 2 through 4.
Step 18	<b>exit</b>	Return to global configuration mode.



	Command	Purpose
Step 19		Repeat Steps 9 through 11 on the other configured trunk interface on Switch A, and set the spanning-tree path cost to 30 for VLANs 8, 9, and 10.
Step 20	<b>exit</b>	Return to privileged EXEC mode.
Step 21	<b>show running-config</b>	Verify your entries. In the display, verify that the path costs are set correctly for both trunk interfaces.
Step 22	<b>copy running-config startup-config</b>	(Optional) Save your entries in the configuration file.

Follow the same steps on Switch B to configure the trunk port for Trunk 1 with a path cost of 30 for VLANs 2 through 4, and configure the trunk port for Trunk 2 with a path cost of 30 for VLANs 8 through 10.

## Configuring VMPS

The VLAN Query Protocol (VQP) supports dynamic-access ports, which are not permanently assigned to a VLAN, but give VLAN assignments based on the MAC source addresses seen on the port.



### Note

Only UNIs and ENIs can be configured as dynamic-access ports; NNIs cannot take part in VQP.

Each time an unknown MAC address is seen, the switch sends a VQP query to a remote VMPS; the query includes the newly seen MAC address and the port on which it was seen. The VMPS responds with a VLAN assignment for the port. The switch cannot be a VMPS server but can act as a client to the VMPS and communicate with it through VQP.

- [“Understanding VMPS” section on page 12-23](#)
- [“Default VMPS Client Configuration” section on page 12-25](#)
- [“VMPS Configuration Guidelines” section on page 12-25](#)
- [“Configuring the VMPS Client” section on page 12-25](#)
- [“Monitoring the VMPS” section on page 12-28](#)
- [“Troubleshooting Dynamic-Access Port VLAN Membership” section on page 12-28](#)
- [“VMPS Configuration Example” section on page 12-28](#)

## Understanding VMPS

Each time the client switch receives the MAC address of a new host, it sends a VQP query to the VMPS. When the VMPS receives this query, it searches its database for a MAC-address-to-VLAN mapping. The server response is based on this mapping and whether or not the server is in open or secure mode. In secure mode, the server shuts down the port when an illegal host is detected. In open mode, the server simply denies the host access to the port.

If the port is currently *unassigned* (that is, it does not yet have a VLAN assignment), the VMPS provides one of these responses:

- If the host is allowed on the port, the VMPS sends the client a *vlan-assignment* response containing the assigned VLAN name and allowing access to the host.
- If the host is not allowed on the port and the VMPS is in open mode, the VMPS sends an *access-denied* response.
- If the VLAN is not allowed on the port and the VMPS is in secure mode, the VMPS sends a *port-shutdown* response.

If the port already has a VLAN assignment, the VMPS provides one of these responses:

- If the VLAN in the database matches the current VLAN on the port, the VMPS sends an *success* response, allowing access to the host.
- If the VLAN in the database does not match the current VLAN on the port and active hosts exist on the port, the VMPS sends an *access-denied* or a *port-shutdown* response, depending on the secure mode of the VMPS.

If the switch receives an *access-denied* response from the VMPS, it continues to block traffic to and from the host MAC address. The switch continues to monitor the packets directed to the port and sends a query to the VMPS when it identifies a new host address. If the switch receives a *port-shutdown* response from the VMPS, it disables the port. The port must be manually re-enabled by using the CLI or SNMP.

## Dynamic-Access Port VLAN Membership

A dynamic-access port can belong to only one VLAN with an ID from 1 to 4094. When the link comes up, the switch does not forward traffic to or from this port until the VMPS provides the VLAN assignment. The VMPS receives the source MAC address from the first packet of a new host connected to the dynamic-access port and attempts to match the MAC address to a VLAN in the VMPS database.



### Note

---

Only UNIs or ENIs can be dynamic-access ports.

---

If there is a match, the VMPS sends the VLAN number for that port. If the client switch was not previously configured, it uses the domain name from the first VTP packet it receives on its trunk port from the VMPS. If the client switch was previously configured, it includes its domain name in the query packet to the VMPS to obtain its VLAN number. The VMPS verifies that the domain name in the packet matches its own domain name before accepting the request and responds to the client with the assigned VLAN number for the client. If there is no match, the VMPS either denies the request or shuts down the port (depending on the VMPS secure mode setting).

Multiple hosts (MAC addresses) can be active on a dynamic-access port if they are all in the same VLAN; however, the VMPS shuts down a dynamic-access port if more than 20 hosts are active on the port.

If the link goes down on a dynamic-access port, the port returns to an isolated state and does not belong to a VLAN. Any hosts that come online through the port are checked again through the VQP with the VMPS before the port is assigned to a VLAN.

Dynamic-access ports can be used for direct host connections, or they can connect to a network. A maximum of 20 MAC addresses are allowed per port on the switch. A dynamic-access port can belong to only one VLAN at a time, but the VLAN can change over time, depending on the MAC addresses seen.

## Default VMPS Client Configuration

Table 12-6 shows the default VMPS and dynamic-access port configuration on client switches.

**Table 12-6** Default VMPS Client and Dynamic-Access Port Configuration

Feature	Default Setting
VMPS domain server	None
VMPS reconfirm interval	60 minutes
VMPS server retry count	3
Dynamic-access ports	None configured

## VMPS Configuration Guidelines

These guidelines and restrictions apply to dynamic-access port VLAN membership:

- You should configure the VMPS before you configure ports as dynamic-access ports.
- IEEE 802.1x ports cannot be configured as dynamic-access ports. If you try to enable IEEE 802.1x on a dynamic-access (VQP) port, an error message appears, and IEEE 802.1x is not enabled. If you try to change an IEEE 802.1x-enabled port to dynamic VLAN assignment, an error message appears, and the VLAN configuration is not changed.
- Trunk ports cannot be dynamic-access ports, but you can enter the **switchport access vlan dynamic** interface configuration command for a trunk port. In this case, the switch retains the setting and applies it if the port is later configured as an access port.  
You must turn off trunking on the port before the dynamic-access setting takes effect.
- Dynamic-access ports cannot be monitor ports.
- Secure ports cannot be dynamic-access ports. You must disable port security on a port before it becomes dynamic.
- Private VLAN ports cannot be dynamic-access ports.
- Dynamic-access ports cannot be members of an EtherChannel group.
- Port channels cannot be configured as dynamic-access ports.

## Configuring the VMPS Client

You configure dynamic VLANs by using the VMPS (server). The switch can be a VMPS client; it cannot be a VMPS server.

## Entering the IP Address of the VMPS

You must first enter the IP address of the server to configure the switch as a client.

Beginning in privileged EXEC mode, follow these steps to enter the IP address of the VMPS:

	Command	Purpose
Step 1	<b>configure terminal</b>	Enter global configuration mode.
Step 2	<b>vmps server <i>ipaddress</i> primary</b>	Enter the IP address of the switch acting as the primary VMPS server.
Step 3	<b>vmps server <i>ipaddress</i></b>	(Optional) Enter the IP address of the switch acting as a secondary VMPS server.  You can enter up to three secondary server addresses.
Step 4	<b>end</b>	Return to privileged EXEC mode.
Step 5	<b>show vmps</b>	Verify your entries in the <i>VMPS Domain Server</i> field of the display.
Step 6	<b>copy running-config startup-config</b>	(Optional) Save your entries in the configuration file.



### Note

You must have IP connectivity to the VMPS for dynamic-access ports to work. You can test for IP connectivity by pinging the IP address of the VMPS and verifying that you get a response.

## Configuring Dynamic-Access Ports on VMPS Clients



### Caution

Dynamic-access port VLAN membership is for end stations or hubs connected to end stations. Connecting dynamic-access ports to other switches can cause a loss of connectivity.

Beginning in privileged EXEC mode, follow these steps to configure a dynamic-access port on a VMPS client switch:

	Command	Purpose
Step 1	<b>configure terminal</b>	Enter global configuration mode.
Step 2	<b>interface <i>interface-id</i></b>	Specify the switch port that is connected to the end station, and enter interface configuration mode. The port must be a UNI or an ENI.
Step 3n	<b>no shutdown</b>	Enable the port.
Step 4	<b>port-type {uni   eni}</b>	Configure the port as a UNI or ENI.
Step 5	<b>switchport mode access</b>	Set the port to access mode.
Step 6	<b>switchport access vlan dynamic</b>	Configure the port as eligible for dynamic VLAN membership.  The dynamic-access port must be connected to an end station.
Step 7	<b>end</b>	Return to privileged EXEC mode.
Step 8	<b>show interfaces <i>interface-id</i> switchport</b>	Verify your entries in the <i>Operational Mode</i> field of the display.
Step 9	<b>copy running-config startup-config</b>	(Optional) Save your entries in the configuration file.

To return an interface to its default configuration, use the **default interface** *interface-id* interface configuration command. To reset the access mode to the default VLAN for the switch, use the **no switchport access vlan** interface configuration command.

## Reconfirming VLAN Memberships

Beginning in privileged EXEC mode, follow these steps to confirm the dynamic-access port VLAN membership assignments that the switch has received from the VMPS:

	Command	Purpose
Step 1	<b>vmmps reconfirm</b>	Reconfirm dynamic-access port VLAN membership.
Step 2	<b>show vmmps</b>	Verify the dynamic VLAN reconfirmation status.

## Changing the Reconfirmation Interval

VMPS clients periodically reconfirm the VLAN membership information received from the VMPS. You can set the number of minutes after which reconfirmation occurs.

Beginning in privileged EXEC mode, follow these steps to change the reconfirmation interval:

	Command	Purpose
Step 1	<b>configure terminal</b>	Enter global configuration mode.
Step 2	<b>vmmps reconfirm</b> <i>minutes</i>	Enter the number of minutes between reconfirmations of the dynamic VLAN membership. The range is 1 to 120. The default is 60 minutes.
Step 3	<b>end</b>	Return to privileged EXEC mode.
Step 4	<b>show vmmps</b>	Verify the dynamic VLAN reconfirmation status in the <i>Reconfirm Interval</i> field of the display.
Step 5	<b>copy running-config startup-config</b>	(Optional) Save your entries in the configuration file.

To return the switch to its default setting, use the **no vmmps reconfirm** global configuration command.

## Changing the Retry Count

Beginning in privileged EXEC mode, follow these steps to change the number of times that the switch attempts to contact the VMPS before querying the next server:

	Command	Purpose
Step 1	<b>configure terminal</b>	Enter global configuration mode.
Step 2	<b>vmmps retry</b> <i>count</i>	Change the retry count. The retry range is 1 to 10; the default is 3.
Step 3	<b>end</b>	Return to privileged EXEC mode.
Step 4	<b>show vmmps</b>	Verify your entry in the <i>Server Retry Count</i> field of the display.
Step 5	<b>copy running-config startup-config</b>	(Optional) Save your entries in the configuration file.

To return the switch to its default setting, use the **no vmmps retry** global configuration command.

## Monitoring the VMPS

You can display information about the VMPS by using the **show vmps** privileged EXEC command. The switch displays this information about the VMPS:

- **VMPS VQP Version**—the version of VQP used to communicate with the VMPS. The switch queries the VMPS that is using VQP Version 1.
- **Reconfirm Interval**—the number of minutes the switch waits before reconfirming the VLAN-to-MAC-address assignments.
- **Server Retry Count**—the number of times VQP resends a query to the VMPS. If no response is received after this many tries, the switch starts to query the secondary VMPS.
- **VMPS domain server**—the IP address of the configured VLAN membership policy servers. The switch sends queries to the one marked *current*. The one marked *primary* is the primary server.
- **VMPS Action**—the result of the most recent reconfirmation attempt. A reconfirmation attempt can occur automatically when the reconfirmation interval expired, or you can force it by entering the **vmps reconfirm** privileged EXEC command.

This is an example of output for the **show vmps** privileged EXEC command:

```
Switch# show vmps
VQP Client Status:
-----
VMPS VQP Version: 1
Reconfirm Interval: 60 min
Server Retry Count: 3
VMPS domain server: 172.20.128.86 (primary, current)
                   172.20.128.87

Reconfirmation status
-----
VMPS Action:          other
```

## Troubleshooting Dynamic-Access Port VLAN Membership

The VMPS shuts down a dynamic-access port under these conditions:

- The VMPS is in secure mode, and it does not allow the host to connect to the port. The VMPS shuts down the port to prevent the host from connecting to the network.
- More than 20 active hosts reside on a dynamic-access port.

To disable and re-enable a disabled dynamic-access port, enter the **shutdown** interface configuration command followed by the **no shutdown** interface configuration command.

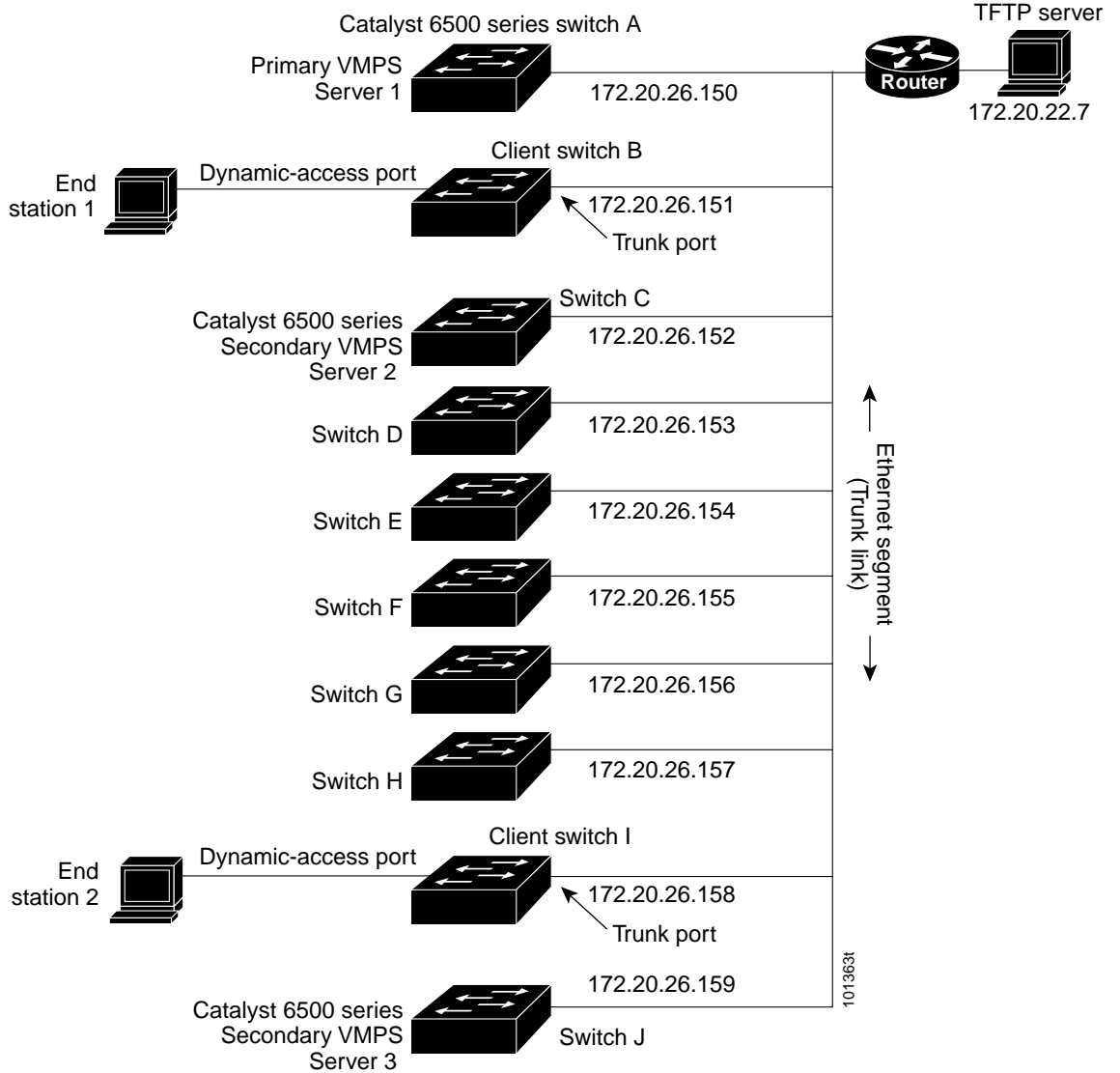
## VMPS Configuration Example

Figure 12-5 shows a network with a VMPS server switch and VMPS client switches with dynamic-access ports. In this example, these assumptions apply:

- The VMPS server and the VMPS client are separate switches.
- The Catalyst 6500 series Switch A is the primary VMPS server.
- The Catalyst 6500 series Switch C and Switch J are secondary VMPS servers.

- End stations are connected to the clients, Switch B and Switch I.
- The database configuration file is stored on the TFTP server with the IP address 172.20.22.7.

Figure 12-5 Dynamic Port VLAN Membership Configuration









# CHAPTER 13

## Configuring Private VLANs

---

This chapter describes how to configure private VLANs on the Cisco ME 3400E Ethernet Access switch.



Note

For complete syntax and usage information for the commands used in this chapter, see the command reference for this release.

---

- [Understanding Private VLANs, page 13-1](#)
- [Configuring Private VLANs, page 13-6](#)
- [Monitoring Private VLANs, page 13-15](#)

## Understanding Private VLANs

The private-VLAN feature addresses two problems that service providers face when using VLANs:

- **Scalability:** The switch supports up to 1005 active VLANs. If a service provider assigns one VLAN per customer, this limits the numbers of customers that the service provider can support.
- To enable IP routing, each VLAN is assigned a subnet address space or a block of addresses, which can waste the unused IP addresses and cause IP address management problems.

Using private VLANs addresses the scalability problem and provides IP address management benefits for service providers and Layer 2 security for customers.

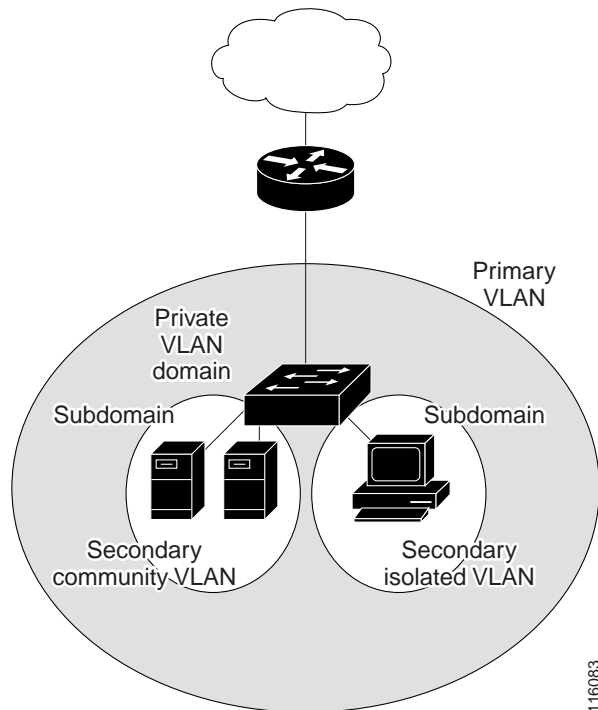
These sections describe how private VLANs work:

- [Types of Private VLANs and Private-VLAN Ports, page 13-1](#)
- [IP Addressing Scheme with Private VLANs, page 13-4](#)
- [Private VLANs across Multiple Switches, page 13-4](#)
- [Private VLANs and Unicast, Broadcast, and Multicast Traffic, page 13-5](#)
- [Private VLANs and SVIs, page 13-5](#)

## Types of Private VLANs and Private-VLAN Ports

Private VLANs partition a regular VLAN domain into subdomains. A subdomain is represented by a pair of VLANs: a *primary* VLAN and a *secondary* VLAN. A private VLAN can have multiple VLAN pairs, one pair for each subdomain. All VLAN pairs in a private VLAN share the same primary VLAN. The secondary VLAN ID differentiates one subdomain from another. See [Figure 13-1](#).

Figure 13-1 Private-VLAN Domain



There are two types of secondary VLANs:

- Isolated VLANs—Ports within an isolated VLAN cannot communicate with each other at the Layer 2 level.
- Community VLANs—Ports within a community VLAN can communicate with each other but cannot communicate with ports in other communities at the Layer 2 level. A community VLAN can include a combination of no more than eight user network interfaces (UNIs) and enhanced network interfaces (ENIs).

Private VLANs provide Layer 2 isolation between ports within the same private VLAN. Private-VLAN ports are access ports that are one of these types:

- Promiscuous—A promiscuous port belongs to the primary VLAN and can communicate with all interfaces, including the community and isolated host ports that belong to the secondary VLANs associated with the primary VLAN.



**Note** Promiscuous ports must be network node interfaces (NNIs). UNIs or ENIs cannot be configured as promiscuous ports.

- Isolated—An isolated port is a host port that belongs to an isolated secondary VLAN. It has complete Layer 2 separation from other ports within the same private VLAN, except for the promiscuous ports. Private VLANs block all traffic to isolated ports except traffic from promiscuous ports. Traffic received from an isolated port is forwarded only to promiscuous ports.

- **Community**—A community port is a host port that belongs to a community secondary VLAN. Community ports communicate with other ports in the same community VLAN and with promiscuous ports. These interfaces are isolated at Layer 2 from all other interfaces in other communities and from isolated ports within their private VLAN. No more than eight UNIs and ENIs can be community ports in the same community VLAN.

**Note**

Trunk ports carry traffic from regular VLANs and also from primary, isolated, and community VLANs.

Primary and secondary VLANs have these characteristics:

- **Primary VLAN**—A private VLAN has only one primary VLAN. Every port in a private VLAN is a member of the primary VLAN. The primary VLAN carries unidirectional traffic downstream from the promiscuous ports to the (isolated and community) host ports and to other promiscuous ports.
- **Isolated VLAN** —A private VLAN has only one isolated VLAN. An isolated VLAN is a secondary VLAN that carries unidirectional traffic upstream from the hosts toward the promiscuous ports and the gateway.
- **Community VLAN**—A community VLAN is a secondary VLAN that carries upstream traffic from the community ports to the promiscuous port gateways and to other host ports in the same community. You can configure multiple community VLANs in a private VLAN. Each community VLAN can include a combination of no more than eight UNIs and ENIs.

**Note**

The switch also supports UNI-ENI isolated VLANs and UNI-ENI community VLANs. When a VLAN is created, it is by default a UNI-ENI isolated VLAN. Traffic is not switched among UNIs and ENIs on a switch that belong to a UNI-ENI isolated VLAN. For more information on UNI-ENI VLANs, see [Chapter 12, “Configuring VLANs.”](#)

A promiscuous port can serve only one primary VLAN, one isolated VLAN, and multiple community VLANs. Layer 3 gateways are typically connected to the switch through a promiscuous port. With a promiscuous port, you can connect a wide range of devices as access points to a private VLAN. For example, you can use a promiscuous port to monitor or back up all the private-VLAN servers from an administration workstation.

In a switched environment, you can assign an individual private VLAN and associated IP subnet to each individual or common group of end stations. The end stations need to communicate only with a default gateway to communicate outside the private VLAN.

You can use private VLANs to control access to end stations in these ways:

- Configure selected interfaces connected to end stations as isolated ports to prevent any communication at Layer 2. For example, if the end stations are servers, this configuration prevents Layer 2 communication between the servers.
- Configure NNIs connected to default gateways and selected end stations (for example, backup servers) as promiscuous ports to allow all end stations access to a default gateway.

You can extend private VLANs across multiple devices by trunking the primary, isolated, and community VLANs to other devices that support private VLANs. To maintain the security of your private-VLAN configuration and to avoid other use of the VLANs configured as private VLANs, configure private VLANs on all intermediate devices, including devices that have no private-VLAN ports.

## IP Addressing Scheme with Private VLANs

Assigning a separate VLAN to each customer creates an inefficient IP addressing scheme:

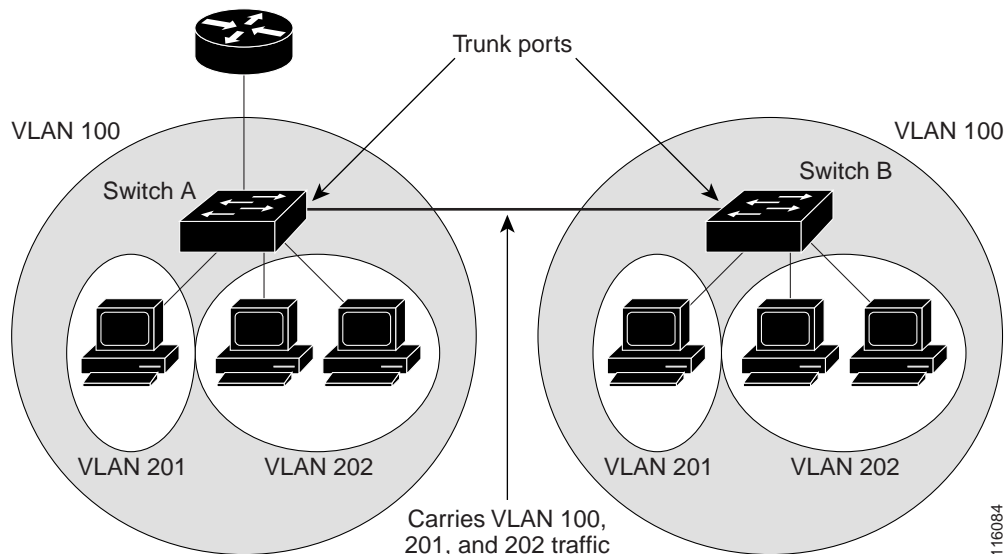
- Assigning a block of addresses to a customer VLAN can result in unused IP addresses.
- If the number of devices in the VLAN increases, the number of assigned address might not be large enough to accommodate them.

These problems are reduced by using private VLANs, where all members in the private VLAN share a common address space, which is allocated to the primary VLAN. Hosts are connected to secondary VLANs, and the DHCP server assigns them IP addresses from the block of addresses allocated to the primary VLAN. Subsequent IP addresses can be assigned to customer devices in different secondary VLANs, but in the same primary VLAN. When new devices are added, the DHCP server assigns them the next available address from a large pool of subnet addresses.

## Private VLANs across Multiple Switches

As with regular VLANs, private VLANs can span multiple switches. A trunk port carries the primary VLAN and secondary VLANs to a neighboring switch. The trunk port treats the private VLAN as any other VLAN. A feature of private VLANs across multiple switches is that traffic from an isolated port in switch A does not reach an isolated port on Switch B. See [Figure 13-2](#).

**Figure 13-2** Private VLANs across Switches



VLAN 100 = Primary VLAN  
 VLAN 201 = Secondary isolated VLAN  
 VLAN 202 = Secondary community VLAN

You must manually configure private VLANs on all switches in the Layer 2 network. If you do not configure the primary and secondary VLAN associations in some switches in the network, the Layer 2 databases in these switches are not merged. This can result in unnecessary flooding of private-VLAN traffic on those switches.

## Private VLANs and Unicast, Broadcast, and Multicast Traffic

In regular VLANs, devices in the same VLAN can communicate with each other at the Layer 2 level, but devices connected to interfaces in different VLANs must communicate at the Layer 3 level. In private VLANs, the promiscuous ports are members of the primary VLAN, while the host ports belong to secondary VLANs. Because the secondary VLAN is associated to the primary VLAN, members of these VLANs can communicate with each other at the Layer 2 level.

In a regular VLAN, broadcasts are forwarded to all ports in that VLAN. Private-VLAN broadcast forwarding depends on the port sending the broadcast:

- An isolated port sends a broadcast only to the promiscuous ports or trunk ports.
- A community port sends a broadcast to all promiscuous ports, trunk ports, and ports in the same community VLAN.
- A promiscuous port (only NNI) sends a broadcast to all ports in the private VLAN (other promiscuous ports, trunk ports, isolated ports, and community ports).

Multicast traffic is routed or bridged across private-VLAN boundaries and within a single community VLAN. Multicast traffic is not forwarded between ports in the same isolated VLAN or between ports in different secondary VLANs.

## Private VLANs and SVIs

In a Layer 3 switch (a switch running the metro IP access image), a switch virtual interface (SVI) represents the Layer 3 interface of a VLAN. Layer 3 devices communicate with a private VLAN only through the primary VLAN and not through secondary VLANs. Configure Layer 3 VLAN interfaces only for primary VLANs. You cannot configure Layer 3 VLAN interfaces for secondary VLANs. SVIs for secondary VLANs are inactive while the VLAN is configured as a secondary VLAN.

- If you try to configure a VLAN with an active SVI as a secondary VLAN, the configuration is not allowed until you disable the SVI.
- If you try to create an SVI on a VLAN that is configured as a secondary VLAN and the secondary VLAN is already mapped at Layer 3, the SVI is not created, and an error is returned. If the SVI is not mapped at Layer 3, the SVI is created, but it is automatically shut down.

When the primary VLAN is associated with and mapped to the secondary VLAN, any configuration on the primary VLAN is propagated to the secondary VLAN SVIs. For example, if you assign an IP subnet to the primary VLAN SVI, this subnet is the IP subnet address of the entire private VLAN.

# Configuring Private VLANs

- [Tasks for Configuring Private VLANs, page 13-6](#)
- [Default Private-VLAN Configuration, page 13-6](#)
- [Private-VLAN Configuration Guidelines, page 13-6](#)
- [Configuring and Associating VLANs in a Private VLAN, page 13-10](#)
- [Configuring a Layer 2 Interface as a Private-VLAN Host Port, page 13-11](#)
- [Configuring a Layer 2 Interface as a Private-VLAN Promiscuous Port, page 13-12](#)
- [Mapping Secondary VLANs to a Primary VLAN Layer 3 VLAN Interface, page 13-13](#)

## Tasks for Configuring Private VLANs

To configure a private VLAN, follow these steps:

- 
- Step 1** Create the primary and secondary VLANs and associate them. See the [“Configuring and Associating VLANs in a Private VLAN”](#) section on page 13-10.




---

**Note** If the VLAN is not created already, the private-VLAN configuration process creates it.

---

- Step 2** Configure interfaces to be isolated or community host ports, and assign VLAN membership to the host port. See the [“Configuring a Layer 2 Interface as a Private-VLAN Host Port”](#) section on page 13-11.
- Step 3** Configure NNIs as promiscuous ports, and map the promiscuous ports to the primary-secondary VLAN pair. See the [“Configuring a Layer 2 Interface as a Private-VLAN Promiscuous Port”](#) section on page 13-12.
- Step 4** If inter-VLAN routing will be used, configure the primary SVI, and map secondary VLANs to the primary. See the [“Mapping Secondary VLANs to a Primary VLAN Layer 3 VLAN Interface”](#) section on page 13-13.
- Step 5** Verify private-VLAN configuration.
- 

## Default Private-VLAN Configuration

No private VLANs are configured. Newly created VLANs are UNI-ENI isolated VLANs.

## Private-VLAN Configuration Guidelines

Guidelines for configuring private VLANs fall into these categories:

- [Secondary and Primary VLAN Configuration, page 13-7](#)
- [Private-VLAN Port Configuration, page 13-8](#)
- [Limitations with Other Features, page 13-9](#)

## Secondary and Primary VLAN Configuration

Follow these guidelines when configuring private VLANs:

- You use VLAN configuration mode to configure private VLANs. For more information about VLAN configuration, see the [“Creating and Modifying VLANs” section on page 12-7](#).
- You must configure private VLANs on each device where you want private-VLAN ports.
- A private VLAN cannot be a UNI-ENI VLAN.
  - To change a UNI-ENI isolated VLAN (the default) to a private VLAN, enter the **private-vlan** VLAN configuration command; this overwrites the default isolated VLAN configuration.
  - To change a UNI-ENI community VLAN to a private VLAN, you must first enter the **no uni-vlan** VLAN configuration command to return to the default UNI isolated VLAN configuration.
- You cannot configure VLAN 1 or VLANs 1002 to 1005 as primary or secondary VLANs. Extended VLANs (VLAN IDs 1006 to 4094) can belong to private VLANs
- A primary VLAN can have one isolated VLAN and multiple community VLANs associated with it. An isolated or community VLAN can have only one primary VLAN associated with it.
- Although a private VLAN contains more than one VLAN, only one Spanning Tree Protocol (STP) instance runs for the entire private VLAN. When a secondary VLAN is associated with the primary VLAN, the STP parameters of the primary VLAN are propagated to the secondary VLAN.
- You can enable DHCP snooping on private VLANs. When you enable DHCP snooping on the primary VLAN, it is propagated to the secondary VLANs. If you configure DHCP on a secondary VLAN, the configuration does not take effect if the primary VLAN is already configured.
- If you enable IP source guard on private-VLAN ports, you must enable DHCP snooping on the primary VLAN.
- You can apply different quality of service (QoS) configurations to primary, isolated, and community VLANs.
- When the switch is running the metro IP access image, for sticky ARP
  - Sticky ARP entries are those learned on SVIs and Layer 3 interfaces. The entries do not age out.
  - The **ip sticky-arp** global configuration command is supported only on SVIs belonging to private VLANs.
  - The **ip sticky-arp** interface configuration command is only supported on
    - Layer 3 interfaces
    - SVIs belonging to normal VLANs
    - SVIs belonging to private VLANs

For more information about using the **ip sticky-arp** *global* configuration and the **ip sticky-arp** *interface* configuration commands, see the command reference for this release.

- You can configure VLAN maps on primary and secondary VLANs (see the [“Configuring VLAN Maps” section on page 32-29](#)). However, we recommend that you configure the same VLAN maps on private-VLAN primary and secondary VLANs.

- When a frame is forwarded through Layer 2 within a private VLAN, the same VLAN map is applied at the receiving and sending sides. When a frame is routed from inside a private VLAN to an external port, the private-VLAN map is applied at the receiving side.
    - For frames going upstream from a host port to a promiscuous port, the VLAN map configured on the secondary VLAN is applied.
    - For frames going downstream from a promiscuous port to a host port, the VLAN map configured on the primary VLAN is applied.
- To filter out specific IP traffic for a private VLAN, you should apply the VLAN map to both the primary and secondary VLANs.
- If the switch is running the metro IP access image, you can apply router ACLs only on the primary-VLAN SVIs. The ACL is applied to both primary and secondary VLAN Layer 3 traffic.
  - Although private VLANs provide host isolation at Layer 2, hosts can communicate with each other at Layer 3.
  - Private VLANs support these Switched Port Analyzer (SPAN) features:
    - You can configure a private-VLAN port as a SPAN source port.
    - You can use VLAN-based SPAN (VSPAN) on primary, isolated, and community VLANs or use SPAN on only one VLAN to separately monitor sent or received traffic.

## Private-VLAN Port Configuration

Follow these guidelines when configuring private-VLAN ports:

- Promiscuous ports must be NNIs; UNIs and ENIs cannot be configured as promiscuous ports.
- Use only the private-VLAN configuration commands to assign ports to primary, isolated, or community VLANs. Layer 2 access ports assigned to the VLANs that you configure as primary, isolated, or community VLANs are inactive while the VLAN is part of the private-VLAN configuration. Layer 2 trunk interfaces remain in the STP forwarding state.
- Do not configure NNI ports that belong to a Port Aggregation Protocol (PAgP) or Link Aggregation Control Protocol (LACP) EtherChannel as private-VLAN ports. While a port is part of the private-VLAN configuration, any EtherChannel configuration for it is inactive.
- Enable Port Fast and BPDU guard on NNI isolated and community host ports to prevent STP loops due to misconfigurations and to speed up STP convergence (see [Chapter 17, “Configuring Optional Spanning-Tree Features”](#)). When enabled, STP applies the BPDU guard feature to all Port Fast-configured Layer 2 LAN ports. Do not enable Port Fast and BPDU guard on promiscuous ports.
- If you delete a VLAN used in the private-VLAN configuration, the private-VLAN ports associated with the VLAN become inactive.
- Private-VLAN ports can be on different network devices if the devices are trunk-connected and the primary and secondary VLANs have not been removed from the trunk.
- A community private VLAN can include no more than eight UNIs and ENIs. If you try to add more than eight, the configuration is not allowed. If you try to configure a VLAN that includes a combination of more than eight UNIs and ENIs as a community private VLAN, the configuration is not allowed.



## Limitations with Other Features

When configuring private VLANs, remember these limitations with other features:

**Note**

In some cases, the configuration is accepted with no error messages, but the commands have no effect.

- When IGMP snooping is enabled on the switch (the default), the switch supports no more than 20 private-VLAN domains.
- A private VLAN cannot be a UNI-ENI isolated or UNI-ENI community VLAN. For more information about UNI-ENI VLANs, see [Chapter 12, “Configuring VLANs.”](#)
- Do not configure a remote SPAN (RSPAN) VLAN as a private-VLAN primary or secondary VLAN. For more information about SPAN, see [Chapter 27, “Configuring SPAN and RSPAN.”](#)
- Do not configure private-VLAN ports on interfaces configured for these other features:
  - dynamic-access port VLAN membership
  - PAgP (only NNIs or ENIs)
  - LACP (only NNIs or ENIs)
  - Multicast VLAN Registration (MVR)
- You can configure 802.1x port-based authentication on a private-VLAN port, but do not configure IEEE 802.1x with port security on private-VLAN ports.
- A private-VLAN host or promiscuous port cannot be a SPAN destination port. If you configure a SPAN destination port as a private-VLAN port, the port becomes inactive.
- If you configure a static MAC address on a promiscuous port in the primary VLAN, you must add the same static address to all associated secondary VLANs. If you configure a static MAC address on a host port in a secondary VLAN, you must add the same static MAC address to the associated primary VLAN. When you delete a static MAC address from a private-VLAN port, you must remove all instances of the configured MAC address from the private VLAN.

**Note**

Dynamic MAC addresses learned in one VLAN of a private VLAN are replicated in the associated VLANs. For example, a MAC address learned in a secondary VLAN is replicated in the primary VLAN. When the original dynamic MAC address is deleted or aged out, the replicated addresses are removed from the MAC address table.

- Configure Layer 3 VLAN interfaces only for primary VLANs.

## Configuring and Associating VLANs in a Private VLAN

Beginning in privileged EXEC mode, follow these steps to configure a private VLAN:



Note

The **private-vlan** commands do not take effect until you exit VLAN configuration mode.

	Command	Purpose
Step 1	<b>configure terminal</b>	Enter global configuration mode.
Step 2	<b>vlan</b> <i>vlan-id</i>	Enter VLAN configuration mode and designate or create a VLAN that will be the primary VLAN. The VLAN ID range is 2 to 1001 and 1006 to 4094.  <b>Note</b> If the VLAN has been configured as a UNI-ENI community VLAN, you must enter the <b>no uni-vlan</b> VLAN configuration command before configuring a private VLAN.
Step 3	<b>private-vlan primary</b>	Designate the VLAN as the primary VLAN.
Step 4	<b>exit</b>	Return to global configuration mode.
Step 5	<b>vlan</b> <i>vlan-id</i>	(Optional) Enter VLAN configuration mode and designate or create a VLAN that will be an isolated VLAN. The VLAN ID range is 2 to 1001 and 1006 to 4094.
Step 6	<b>private-vlan isolated</b>	Designate the VLAN as an isolated VLAN.
Step 7	<b>exit</b>	Return to global configuration mode.
Step 8	<b>vlan</b> <i>vlan-id</i>	(Optional) Enter VLAN configuration mode and designate or create a VLAN that will be a community VLAN. The VLAN ID range is 2 to 1001 and 1006 to 4094.  <b>Note</b> If the VLAN has been configured as a UNI-ENI community VLAN, you must enter the <b>no uni-vlan</b> VLAN configuration command before configuring a private VLAN.
Step 9	<b>private-vlan community</b>	Designate the VLAN as a community VLAN.
Step 10	<b>exit</b>	Return to global configuration mode.
Step 11	<b>vlan</b> <i>vlan-id</i>	Enter VLAN configuration mode for the primary VLAN designated in Step 3.
Step 12	<b>private-vlan association</b> [add   remove] <i>secondary_vlan_list</i>	Associate the secondary VLANs with the primary VLAN.
Step 13	<b>end</b>	Return to privileged EXEC mode.
Step 14	<b>show vlan private-vlan</b> [type] or <b>show interfaces status</b>	Verify the configuration.
Step 15	<b>copy running-config startup config</b>	(Optional) Save your entries in the switch startup configuration file.

When you associate secondary VLANs with a primary VLAN, note this syntax information:

- The *secondary\_vlan\_list* parameter cannot contain spaces. It can contain multiple comma-separated items. Each item can be a single private-VLAN ID or a hyphenated range of private-VLAN IDs.

- The *secondary\_vlan\_list* parameter can contain multiple community VLAN IDs but only one isolated VLAN ID.
- Enter a *secondary\_vlan\_list*, or use the **add** keyword with a *secondary\_vlan\_list* to associate secondary VLANs with a primary VLAN.
- Use the **remove** keyword with a *secondary\_vlan\_list* to clear the association between secondary VLANs and a primary VLAN.
- The **private-vlan association** VLAN configuration command does not take effect until you exit VLAN configuration mode.

This example shows how to configure VLAN 20 as a primary VLAN, VLAN 501 as an isolated VLAN, and VLANs 502 and 503 as community VLANs, to associate them in a private VLAN, and to verify the configuration. It assumes that VLANs 502 and 503 have previously been configured as UNI-ENI community VLANs:

```
Switch# configure terminal
Switch(config)# vlan 20
Switch(config-vlan)# private-vlan primary
Switch(config-vlan)# exit
Switch(config)# vlan 501
Switch(config-vlan)# private-vlan isolated
Switch(config-vlan)# exit
Switch(config)# vlan 502
Switch(config-vlan)# no-uni vlan
Switch(config-vlan)# private-vlan community
Switch(config-vlan)# exit
Switch(config)# vlan 503
Switch(config-vlan)# no-uni vlan
Switch(config-vlan)# private-vlan community
Switch(config-vlan)# exit
Switch(config)# vlan 20
Switch(config-vlan)# private-vlan association 501-503
Switch(config-vlan)# end
Switch(config)# show vlan private vlan
Primary Secondary Type          Ports
-----
20      501      isolated
20      502      community
20      503      community
20      504      non-operational
```

## Configuring a Layer 2 Interface as a Private-VLAN Host Port

Beginning in privileged EXEC mode, follow these steps to configure a Layer 2 interface as a private-VLAN host port and to associate it with primary and secondary VLANs:



### Note

Isolated and community VLANs are both secondary VLANs.

	Command	Purpose
Step 1	<b>configure terminal</b>	Enter global configuration mode.
Step 2	<b>interface</b> <i>interface-id</i>	Enter interface configuration mode for the Layer 2 interface to be configured.

	Command	Purpose
Step 3	<b>no shutdown</b>	Enable the port, if necessary. By default, UNIs and ENIs are disabled, and NNIs are enabled.
Step 4	<b>switchport mode private-vlan host</b>	Configure the Layer 2 port as a private-VLAN host port.
Step 5	<b>switchport private-vlan host-association</b> <i>primary_vlan_id secondary_vlan_id</i>	Associate the Layer 2 port with a private VLAN.
Step 6	<b>end</b>	Return to privileged EXEC mode.
Step 7	<b>show interfaces</b> [ <i>interface-id</i> ] <b>switchport</b>	Verify the configuration.
Step 8	<b>copy running-config startup config</b>	(Optional) Save your entries in the switch startup configuration file.

This example shows how to configure an interface as a private-VLAN host port, associate it with a private-VLAN pair, and verify the configuration:

```
Switch# configure terminal
Switch(config)# interface fastethernet0/22
Switch(config-if)# no shutdown
Switch(config-if)# switchport mode private-vlan host
Switch(config-if)# switchport private-vlan host-association 20 501
Switch(config-if)# end
Switch# show interfaces fastethernet0/22 switchport
Name: Fa0/22
Switchport: Enabled
Administrative Mode: private-vlan host
Operational Mode: private-vlan host
Administrative Trunking Encapsulation: dot1q
Operational Trunking Encapsulation: native
Negotiation of Trunking: Off
Access Mode VLAN: 1 (default)
Trunking Native Mode VLAN: 1 (default)
Administrative Native VLAN tagging: enabled
Administrative private-vlan host-association: 20 501
Administrative private-vlan mapping: none
Administrative private-vlan trunk native VLAN: none
Administrative private-vlan trunk Native VLAN tagging: enabled
Administrative private-vlan trunk encapsulation: dot1q
Administrative private-vlan trunk normal VLANs: none
Administrative private-vlan trunk private VLANs: none
Operational private-vlan:
20 501
<output truncated>
```

## Configuring a Layer 2 Interface as a Private-VLAN Promiscuous Port

You can configure only NNIs as promiscuous ports. Beginning in privileged EXEC mode, follow these steps to configure a Layer 2 interface as a private-VLAN promiscuous port and map it to primary and secondary VLANs:



### Note

Isolated and community VLANs are both secondary VLANs.

	Command	Purpose
Step 1	<b>configure terminal</b>	Enter global configuration mode.
Step 2	<b>interface</b> <i>interface-id</i>	Enter interface configuration mode for the Layer 2 interface to be configured. The interface must be an NNI.  <b>Note</b> If the interface is a UNI or ENI, you must enter the <b>port-type nni</b> interface configuration command before configuring it as a promiscuous port.
Step 3	<b>switchport mode private-vlan promiscuous</b>	Configure the Layer 2 NNI port as a private-VLAN promiscuous port.
Step 4	<b>switchport private-vlan mapping</b> <i>primary_vlan_id</i> { <b>add</b>   <b>remove</b> } <i>secondary_vlan_list</i>	Map the private-VLAN promiscuous port to a primary VLAN and to selected secondary VLANs.
Step 5	<b>end</b>	Return to privileged EXEC mode.
Step 6	<b>show interfaces</b> [ <i>interface-id</i> ] <b>switchport</b>	Verify the configuration.
Step 7	<b>copy running-config startup config</b>	(Optional) Save your entries in the switch startup configuration file.

When you configure a Layer 2 interface as a private-VLAN promiscuous port, note this syntax information:

- The *secondary\_vlan\_list* parameter cannot contain spaces. It can contain multiple comma-separated items. Each item can be a single private-VLAN ID or a hyphenated range of private-VLAN IDs.
- Enter a *secondary\_vlan\_list*, or use the **add** keyword with a *secondary\_vlan\_list* to map the secondary VLANs to the private-VLAN promiscuous port.
- Use the **remove** keyword with a *secondary\_vlan\_list* to clear the mapping between secondary VLANs and the private-VLAN promiscuous port.

This example shows how to configure an NNI as a private-VLAN promiscuous port and map it to a private VLAN. The interface is a member of primary VLAN 20 and secondary VLANs 501 to 503 are mapped to it.

```
Switch# configure terminal
Switch(config)# interface gigabitethernet0/1
Switch(config-if)# switchport mode private-vlan promiscuous
Switch(config-if)# switchport private-vlan mapping 20 add 501-503
Switch(config-if)# end
```

Use the **show vlan private-vlan** or the **show interface status** privileged EXEC command to display primary and secondary VLANs and private-VLAN ports on the switch.

## Mapping Secondary VLANs to a Primary VLAN Layer 3 VLAN Interface

If the switch is running the metro IP access image and the private VLAN will be used for inter-VLAN routing, you configure an SVI for the primary VLAN and map secondary VLANs to the SVI.



### Note

Isolated and community VLANs are both secondary VLANs.

Beginning in privileged EXEC mode, follow these steps to map secondary VLANs to the SVI of a primary VLAN to allow Layer 3 switching of private-VLAN traffic:

	Command	Purpose
Step 1	<b>configure terminal</b>	Enter global configuration mode.
Step 2	<b>interface vlan</b> <i>primary_vlan_id</i>	Enter interface configuration mode for the primary VLAN, and configure the VLAN as an SVI. The VLAN ID range is 2 to 1001 and 1006 to 4094.
Step 3	<b>private-vlan mapping</b> [ <b>add</b>   <b>remove</b> ] <i>secondary_vlan_list</i>	Map the secondary VLANs to the Layer 3 VLAN interface of a primary VLAN to allow Layer 3 switching of private-VLAN incoming traffic.
Step 4	<b>end</b>	Return to privileged EXEC mode.
Step 5	<b>show interface private-vlan mapping</b>	Verify the configuration.
Step 6	<b>copy running-config startup config</b>	(Optional) Save your entries in the switch startup configuration file.

**Note**

The **private-vlan mapping** interface configuration command only affects private-VLAN traffic that is switched through Layer 3.

When you map secondary VLANs to the Layer 3 VLAN interface of a primary VLAN, note this syntax information:

- The *secondary\_vlan\_list* parameter cannot contain spaces. It can contain multiple comma-separated items. Each item can be a single private-VLAN ID or a hyphenated range of private-VLAN IDs.
- Enter a *secondary\_vlan\_list*, or use the **add** keyword with a *secondary\_vlan\_list* to map the secondary VLANs to the primary VLAN.
- Use the **remove** keyword with a *secondary\_vlan\_list* to clear the mapping between secondary VLANs and the primary VLAN.

This example shows how to map the interfaces of VLANs 501 and 502 to primary VLAN 10, which permits routing of secondary VLAN incoming traffic from private VLANs 501 to 502:

```
Switch# configure terminal
Switch(config)# interface vlan 10
Switch(config-if)# private-vlan mapping 501-502
Switch(config-if)# end
Switch# show interfaces private-vlan mapping
Interface Secondary VLAN Type
-----
vlan10      501          isolated
vlan10      502          community
```

# Monitoring Private VLANs

Table 13-1 shows the privileged EXEC commands for monitoring private-VLAN activity.

**Table 13-1 Private VLAN Monitoring Commands**

Command	Purpose
<b>show interfaces status</b>	Displays the status of interfaces, including the VLANs to which they belong.
<b>show vlan private-vlan [type]</b>	Display the private-VLAN information for the switch.
<b>show interface switchport</b>	Display the private-VLAN configuration on interfaces.
<b>show interface private-vlan mapping</b>	Display information about the private-VLAN mapping for VLAN interfaces.

This is an example of the output from the **show vlan private-vlan** command:

```
Switch(config)# show vlan private-vlan
Primary Secondary Type          Ports
-----
10      501      isolated    Fa0/1, Gi0/1, Gi0/2
10      502      community   Fa0/11, Fa0/12, Gi0/1
10      503      non-operational
```







# Configuring IEEE 802.1Q Tunneling, VLAN Mapping, 802.1ad, and Layer 2 Protocol Tunneling

Virtual private networks (VPNs) provide enterprise-scale connectivity on a shared infrastructure, often Ethernet-based, with the same security, prioritization, reliability, and manageability requirements of private networks. Tunneling is a feature designed for service providers who carry traffic of multiple customers across their networks and are required to maintain the VLAN and Layer 2 protocol configurations of each customer without impacting the traffic of other customers. The Cisco ME 3400E Ethernet Access switch supports IEEE 802.1Q tunneling and Layer 2 protocol tunneling. It also supports VLAN mapping (or VLAN ID translation) on trunk ports.

**Note**

For complete syntax and usage information for the commands used in this chapter, see the command reference for this release.

- [Understanding 802.1Q Tunneling, page 14-1](#)
- [Configuring 802.1Q Tunneling, page 14-4](#)
- [Understanding VLAN Mapping, page 14-7](#)
- [Configuring VLAN Mapping, page 14-9](#)
- [Configuring IEEE 802.1ad, page 14-13](#)
- [Understanding Layer 2 Protocol Tunneling, page 14-20](#)
- [Configuring Layer 2 Protocol Tunneling, page 14-22](#)
- [Monitoring and Maintaining Tunneling and Mapping Status, page 14-30](#)

## Understanding 802.1Q Tunneling

Business customers of service providers often have specific requirements for VLAN IDs and the number of VLANs to be supported. The VLAN ranges required by different customers in the same service-provider network might overlap, and traffic of customers through the infrastructure might be mixed. Assigning a unique range of VLAN IDs to each customer would restrict customer configurations and could easily exceed the VLAN limit (4096) of the 802.1Q specification.

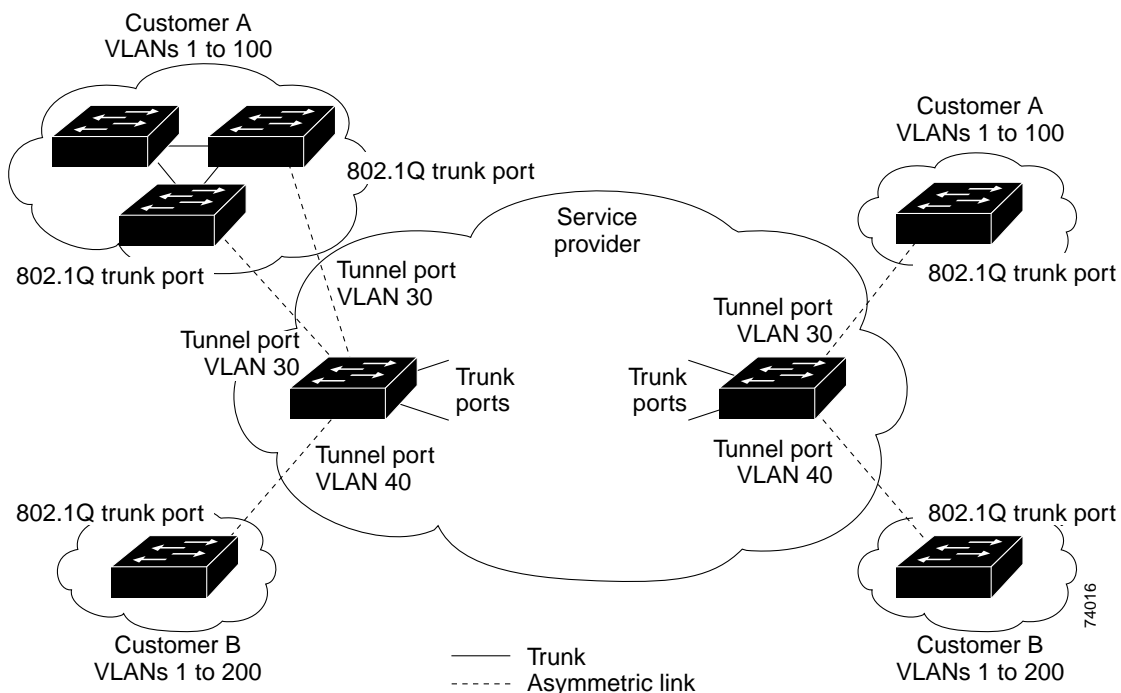
Using the 802.1Q tunneling (QinQ) feature, service providers can use a single VLAN to support customers who have multiple VLANs. Customer VLAN IDs (C-VLANs) are preserved, and traffic from different customers is segregated within the service-provider network, even when they appear to be in the same VLAN. Using 802.1Q tunneling expands VLAN space by using a VLAN-in-VLAN hierarchy and retagging the tagged packets. A port configured to support 802.1Q tunneling is called a *tunnel port*. When you configure tunneling, you assign a tunnel port to a VLAN ID that is dedicated to tunneling. Each customer requires a separate service-provider VLAN ID (S-VLAN), but that VLAN ID supports all of the customer's VLANs. Configuring 802.1Q tunneling on a tunnel port is referred to as *traditional QinQ*.

Customer traffic tagged in the normal way with appropriate VLAN IDs comes from an 802.1Q trunk port on the customer device and into a tunnel port on the service-provider edge switch. The link between the customer device and the edge switch is asymmetric because one end is configured as an 802.1Q trunk port, and the other end is configured as a tunnel port. You assign the tunnel port interface to an access VLAN ID that is unique to each customer. See Figure 14-1.

**Note**

By default, VLANs configured on the switch are user network interface-enhanced network interface (UNI-ENI) isolated VLANs. In a UNI-ENI isolated VLAN, 802.1Q tunneled access ports on the switch are isolated from each other. If you use the **uni-vlan community** VLAN configuration command to change a VLAN to a UNI-ENI community VLAN, local switching occurs between these ports. For more information about UNI-ENI VLANs, see Chapter 12, “Configuring VLANs.”

**Figure 14-1** 802.1Q Tunnel Ports in a Service-Provider Network



Packets coming from the customer trunk port into the tunnel port on the service-provider edge switch are normally 802.1Q-tagged with the appropriate VLAN ID. The the tagged packets remain intact inside the switch and when they exit the trunk port into the service-provider network, they are encapsulated with another layer of an 802.1Q tag (called the *metro tag*) that contains the VLAN ID that is unique to

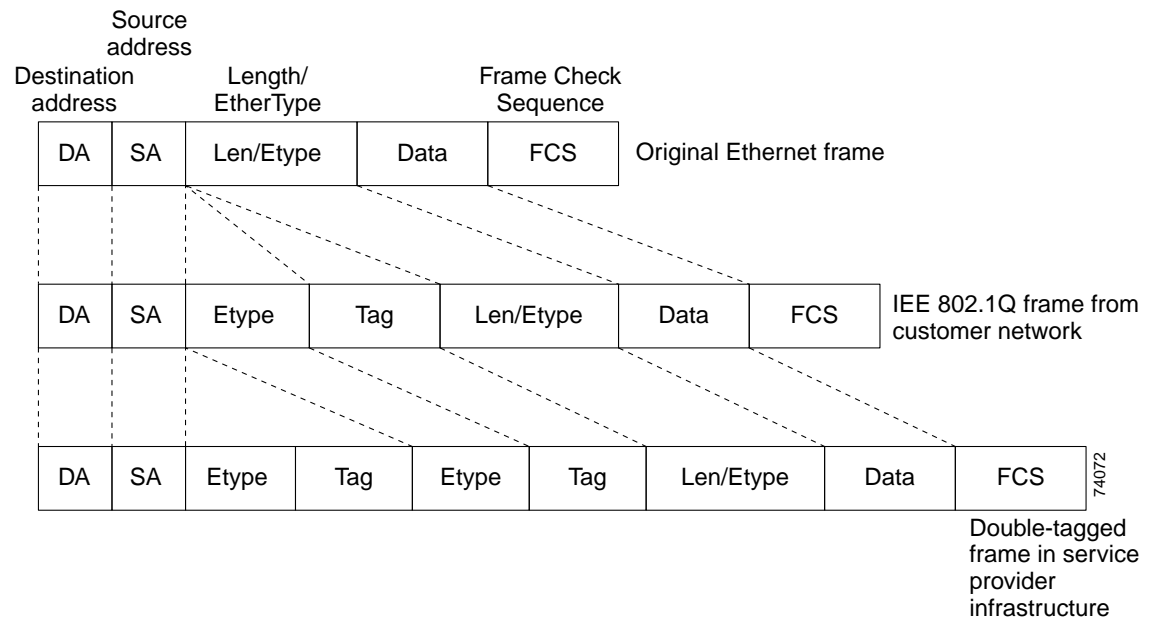
the customer. The original customer 802.1Q tag is preserved in the encapsulated packet. Therefore, packets entering the service-provider network are double-tagged, with the outer (metro) tag containing the customer's access VLAN ID, and the inner VLAN ID being that of the incoming traffic.

When the double-tagged packet enters another trunk port in a service-provider core switch, the outer tag is stripped as the switch processes the packet. When the packet exits another trunk port on the same core switch, the same metro tag is again added to the packet. Figure 14-2 shows the tag structures of the double-tagged packets.

**Note**

Remove the Layer 2 protocol configuration from a trunk port because incoming encapsulated packets change that trunk port to error disabled. The outgoing encapsulated VTP (CDP and STP) packets are dropped on that trunk.

**Figure 14-2** Original (Normal), 802.1Q, and Double-Tagged Ethernet Packet Formats



When the packet enters the trunk port of the service-provider egress switch, the outer tag is again stripped as the switch internally processes the packet. However, the metro tag is not added when the packet is sent out the tunnel port on the edge switch into the customer network. The packet is sent as a normal 802.1Q-tagged frame to preserve the original VLAN numbers in the customer network.

In Figure 14-1, Customer A was assigned VLAN 30, and Customer B was assigned VLAN 40. Packets entering the edge switch tunnel ports with 802.1Q tags are double-tagged when they enter the service-provider network, with the outer tag containing VLAN ID 30 or 40, appropriately, and the inner tag containing the original VLAN number, for example, VLAN 100. Even if both Customers A and B have VLAN 100 in their networks, the traffic remains segregated within the service-provider network because the outer tag is different. Each customer controls its own VLAN numbering space, which is independent of the VLAN numbering space used by other customers and the VLAN numbering space used by the service-provider network.

At the outbound tunnel port, the original VLAN numbers on the customer's network are recovered. It is possible to have multiple levels of tunneling and tagging, but the switch supports only one level in this release.

If traffic coming from a customer network is not tagged (native VLAN frames), these packets are bridged or routed as normal packets. All packets entering the service-provider network through a tunnel port on an edge switch are treated as untagged packets, whether they are untagged or already tagged with 802.1Q headers. The packets are encapsulated with the metro tag VLAN ID (set to the access VLAN of the tunnel port) when they are sent through the service-provider network on an 802.1Q trunk port. The priority field on the metro tag is set to the interface class of service (CoS) priority configured on the tunnel port. (The default is zero if none is configured.)

## Configuring 802.1Q Tunneling

- [Default 802.1Q Tunneling Configuration, page 14-4](#)
- [802.1Q Tunneling Configuration Guidelines, page 14-4](#)
- [802.1Q Tunneling and Other Features, page 14-6](#)
- [Configuring an 802.1Q Tunneling Port, page 14-6](#)

### Default 802.1Q Tunneling Configuration

By default, 802.1Q tunneling is disabled because the default switchport mode is access. Tagging of 802.1Q native VLAN packets on all 802.1Q trunk ports is also disabled. By default, VLANs on the switch are UNI-ENI isolated VLANs.

### 802.1Q Tunneling Configuration Guidelines

When you configure 802.1Q tunneling, you should always use an asymmetrical link between the customer device and the edge switch, with the customer device port configured as an 802.1Q trunk port and the edge switch port configured as a tunnel port.

Assign tunnel ports only to VLANs that are used for tunneling.

Configuration requirements for native VLANs and for and maximum transmission units (MTUs) are explained in these next sections.

#### Native VLANs

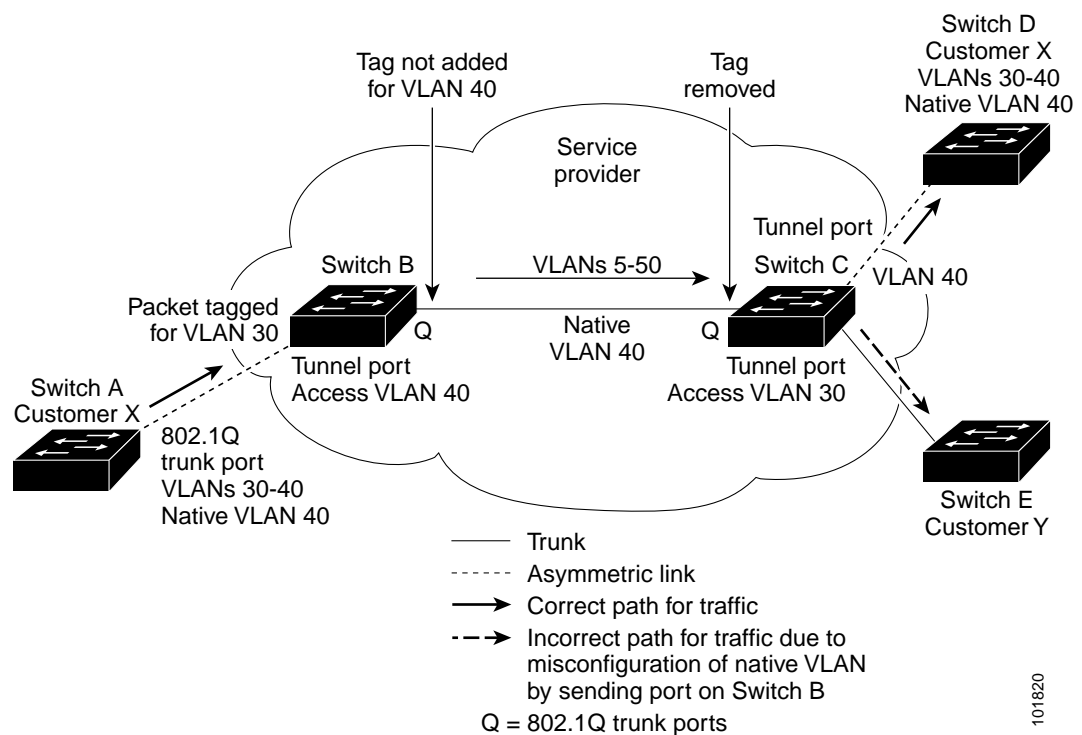
When configuring 802.1Q tunneling on an edge switch, you must use 802.1Q trunk ports for sending packets into the service-provider network. However, packets going through the core of the service-provider network can be carried through 802.1Q trunks, ISL trunks, or nontrunking links. When 802.1Q trunks are used in these core switches, the native VLANs of the 802.1Q trunks must not match any native VLAN of the nontrunking (tunneling) port on the same switch because traffic on the native VLAN would not be tagged on the 802.1Q sending trunk port.

See [Figure 14-3](#). VLAN 40 is configured as the native VLAN for the 802.1Q trunk port from Customer X at the ingress edge switch in the service-provider network (Switch B). Switch A of Customer X sends a tagged packet on VLAN 30 to the ingress tunnel port of Switch B in the service-provider network, which belongs to access VLAN 40. Because the access VLAN of the tunnel port (VLAN 40) is the same as the native VLAN of the edge-switch trunk port (VLAN 40), the metro tag is not added to tagged packets received from the tunnel port. The packet carries only the VLAN 30 tag through the service-provider network to the trunk port of the egress-edge switch (Switch C) and is misdirected through the egress switch tunnel port to Customer Y.

These are some ways to solve this problem:

- Use ISL trunks between core switches in the service-provider network. Although customer interfaces connected to edge switches must be 802.1Q trunks, we recommend using ISL trunks for connecting switches in the core layer. The Cisco ME switch does not support ISL trunks.
- Use the **vlan dot1q tag native** global configuration command to configure the edge switch so that all packets going out an 802.1Q trunk, including the native VLAN, are tagged. If the switch is configured to tag native VLAN packets on all 802.1Q trunks, the switch accepts untagged packets, but sends only tagged packets.
- Ensure that the native VLAN ID on the edge-switch trunk port is not within the customer VLAN range. For example, if the trunk port carries traffic of VLANs 100 to 200, assign the native VLAN a number outside that range.

Figure 14-3 Potential Problem with 802.1Q Tunneling and Native VLANs



## System MTU

The default system MTU for traffic on the switch is 1500 bytes. You can configure Fast Ethernet ports to support frames larger than 1500 bytes by using the **system mtu** global configuration command. You can configure Gigabit Ethernet ports to support frames larger than 1500 bytes by using the **system mtu jumbo** global configuration command. Because the 802.1Q tunneling feature increases the frame size by 4 bytes when the metro tag is added, you must configure all switches in the service-provider network to be able to process maximum frames by increasing the switch system MTU size to at least 1504 bytes. The maximum allowable system MTU for Gigabit Ethernet interfaces is 9000 bytes; the maximum system MTU for Fast Ethernet interfaces is 1998 bytes.

## 802.1Q Tunneling and Other Features

Although 802.1Q tunneling works well for Layer 2 packet switching, there are incompatibilities between some Layer 2 features and Layer 3 switching.



### Note

Layer 3 switching is supported only when the metro IP access image is running on the switch.

- A tunnel port cannot be a routed port.
- IP routing is not supported on a VLAN that includes 802.1Q tunnel ports. Packets received from a tunnel port are forwarded based only on Layer 2 information. If routing is enabled on a switch virtual interface (SVI) that includes tunnel ports, untagged IP packets received from the tunnel port are recognized and routed by the switch. Customers can access the internet through its native VLAN. If this access is not needed, you should not configure SVIs on VLANs that include tunnel ports.
- Tunnel ports do not support IP access control lists (ACLs).
- Layer 3 quality of service (QoS) ACLs and other QoS features related to Layer 3 information are not supported on tunnel ports. MAC-based QoS is supported on tunnel ports.
- EtherChannel port groups are compatible with tunnel ports as long as the 802.1Q configuration is consistent within an EtherChannel port group.
- UniDirectional Link Detection (UDLD) is supported on 802.1Q tunnel ports.
- Port Aggregation Protocol (PAgP) and Link Aggregation Control Protocol (LACP) are supported only on 802.1Q tunnel ports that are network node interfaces (NNIs) or enhanced network interfaces (ENIs). UNIs do not support PAgP and LACP.
- Loopback detection is supported on 802.1Q tunnel ports.
- When an NNI or ENI port is configured as an 802.1Q tunnel port, spanning-tree bridge protocol data unit (BPDU) filtering is automatically enabled on the interface, and the Cisco Discovery Protocol (CDP) and the Layer Link Discovery Protocol (LLDP) are automatically disabled on the interface. UNIs do not support BPDU filtering, CDP, or LLDP.
- In a UNI-ENI isolated VLAN, 802.1Q tunneled access ports are isolated from each other, but in a UNI-ENI community VLAN, local switching occurs between these ports. For more information about UNI-ENI VLANs, see [Chapter 12, “Configuring VLANs.”](#)

## Configuring an 802.1Q Tunneling Port

Beginning in privileged EXEC mode, follow these steps to configure a port as an 802.1Q tunnel port:

	Command	Purpose
Step 1	<b>configure terminal</b>	Enter global configuration mode.
Step 2	<b>interface</b> <i>interface-id</i>	Enter interface configuration mode for the interface to be configured as a tunnel port. This should be the edge port in the service-provider network that connects to the customer switch. Valid interfaces include physical interfaces and port-channel logical interfaces (port channels 1 to 48).
Step 3	<b>no shutdown</b>	Enable the port, if necessary. By default, UNIs and ENIs are disabled, and NNIs are enabled.

	Command	Purpose
Step 4	<b>switchport access vlan</b> <i>vlan-id</i>	Specify the default VLAN, which is used if the interface stops trunking. This VLAN ID is specific to the particular customer.  <b>Note</b> If the VLAN is a UNI-ENI isolated VLAN, local switching does not occur between UNIs and ENIs on the switch. If the VLAN is a UNI-ENI community VLAN, local switching is allowed.
Step 5	<b>switchport mode dot1q-tunnel</b>	Set the interface as an 802.1Q tunnel port.
Step 6	<b>exit</b>	Return to global configuration mode.
Step 7	<b>vlan dot1q tag native</b>	(Optional) Set the switch to enable tagging of native VLAN packets on all 802.1Q trunk ports. When not set, and a customer VLAN ID is the same as the native VLAN, the trunk port does not apply a metro tag, and packets could be sent to the wrong destination.
Step 8	<b>end</b>	Return to privileged EXEC mode.
Step 9	<b>show running-config</b> <b>show dot1q-tunnel</b>	Display the ports configured for 802.1Q tunneling. Display the ports that are in tunnel mode.
Step 10	<b>show vlan dot1q tag native</b>	Display 802.1Q native VLAN tagging status.
Step 11	<b>copy running-config startup-config</b>	(Optional) Save your entries in the configuration file.

Use the **no switchport mode dot1q-tunnel** interface configuration command to return the port to the default state of access. Use the **no vlan dot1q tag native** global configuration command to disable tagging of native VLAN packets.

This example shows how to configure an interface as a tunnel port, enable tagging of native VLAN packets, and verify the configuration. In this configuration, the VLAN ID for the customer connected to Gigabit Ethernet interface 2 is VLAN 22. This VLAN is by default a UNI-ENI isolated VLAN.

```
Switch(config)# interface gigabitethernet0/2
Switch(config-if)# switchport access vlan 22
% Access VLAN does not exist. Creating vlan 22
Switch(config-if)# switchport mode dot1q-tunnel
Switch(config-if)# exit
Switch(config)# vlan dot1q tag native
Switch(config)# end
Switch# show dot1q-tunnel interface gigabitethernet0/2
dot1q-tunnel mode LAN Port(s)
-----
Gi0/1

Switch# show vlan dot1q tag native
dot1q native vlan tagging is enabled
```

## Understanding VLAN Mapping

Another way to establish S-VLANs is to configure VLAN mapping (or VLAN ID translation) on trunk ports connected to a customer network to map customer VLANs to service-provider VLANs. Packets entering the port are mapped to a service provider VLAN (S-VLAN) based on the port number and the original customer VLAN-ID (C-VLAN) of the packet.

In a typical metro deployment, VLAN mapping takes place on user network interfaces (UNIs) or enhanced network interfaces (ENIs) that face the customer network. However, you are not prevented from configuring VLAN mapping on network node interfaces (NNIs).

Because the VLAN ID is mapped to the S-VLAN on ingress, on the ME-3400E all forwarding operations are performed by using S-VLAN information and not C-VLAN information.

**Note**

When you configure features on a port that has VLAN mapping configured, you always use the S-VLAN (translated VLAN) ID, not the customer VLAN-ID (C-VLAN).

On an interface configured for VLAN mapping, the specified C-VLAN packets are mapped to the specified S-VLAN when they enter the port. Symmetrical mapping back to the customer C-VLAN occurs when packets exit the port.

The switch supports these types of VLAN mapping on UNI trunk ports:

- One-to-one VLAN mapping occurs at the ingress and egress of the port and maps the customer C-VLAN ID in the 802.1Q tag to the service-provider S-VLAN ID. You can also specify that packets with all other VLAN IDs are dropped.
- Selective QinQ maps the specified customer VLANs entering the UNI to the specified S-VLAN ID. The S-VLAN is added to the incoming unmodified C-VLAN. You can also specify that traffic carrying all other customer VLAN IDs is dropped.
- Traditional 802.1Q tunneling (QinQ) performs all-to-one bundling of C-VLAN IDs to a single S-VLAN ID for the port. The S-VLAN is added to the incoming unmodified C-VLAN. You can configure the UNI as an 802.1Q tunnel port for traditional QinQ, or you can configure selective QinQ on trunk ports for a more flexible implementation. Mapping takes place at ingress and egress of the port. All packets on the port are bundled into the specified S-VLAN.

**Note**

Untagged packets enter the switch on the trunk native VLAN and are not mapped.

For quality of service (QoS), the switch has flexible mapping between C-CoS or C-DSCP and S-CoS and maps the inner CoS to the outer CoS for traffic with traditional QinQ or selective QinQ VLAN mapping. For more information, see the [“Classification Comparisons” section on page 34-10](#).

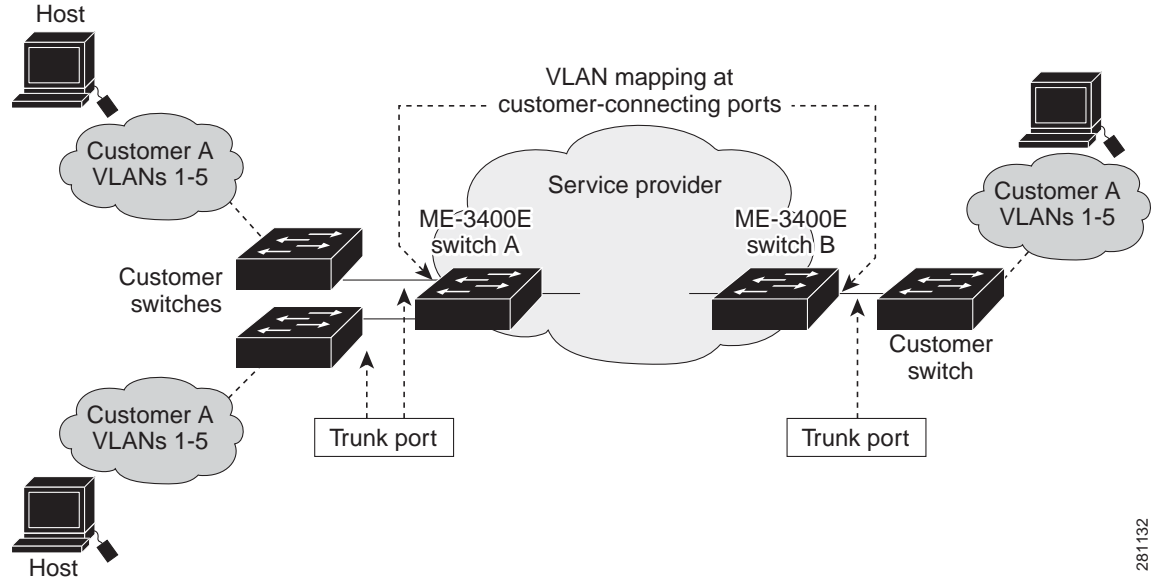
## Mapping Customer VLANs to Service-Provider VLANs

[Figure 14-4](#) shows a topology where a customer uses the same VLANs in multiple sites on different sides of a service-provider network. You map the customer VLAN IDs to service-provider VLAN IDs for packet travel across the service-provider backbone. The customer VLAN IDs are retrieved at the other side of the service-provider backbone for use in the other customer site. Configure the same set of VLAN mappings at a customer-connected port on each side of the service-provider network.

See the examples following the configuration steps for using one-to-one mapping, traditional QinQ, or selective QinQ to map customer VLANs 1 to 5 to service-provider VLANs.



Figure 14-4 Mapping Customer VLANs



281132

## Configuring VLAN Mapping

- [Default VLAN Mapping Configuration, page 14-9](#)
- [VLAN Mapping Configuration Guidelines, page 14-9](#)
- [Configuring VLAN Mapping, page 14-10](#)

### Default VLAN Mapping Configuration

By default, no VLAN mapping is configured.

### VLAN Mapping Configuration Guidelines

- Traditional QinQ uses 802.1Q tunnel ports; you configure one-to-one VLAN mapping and selective QinQ on 802.1Q trunk ports.
- To avoid mixing customer traffic, when you configure traditional QinQ on a trunk port, you should configure the service provider S-VLAN ID as an allowed VLAN on the trunk port.
- When you configure selective QinQ to tunnel the traffic of two different customers on different S-VLANs, if the native VLAN (VLAN 1) is on one of the selective QinQ interfaces, untagged CDP and STP VLAN 1 packets are leaked to the other customer switches.

The workaround is to use the **switchport trunk native vlan *vlan-id*** interface configuration command to configure the native VLAN ID on an interface tunneling S-VLANs. For example, if you configured QinQ by entering the **switchport vlan mapping 1-100 dot1q-tunnel 500** command, you should also enter the **switchport trunk native vlan 500** command.

- On an ME-3400E interface configured for VLAN mapping, mapping to the S-VLAN occurs on traffic entering the switch. Therefore, when you configure other features on an interface configured for VLAN mapping, you should use the S-VLAN ID, except when configuring VLAN mapping and Ethernet E-LMI. When configuring E-LMI on an interface, use the C-VLAN when entering the **ethernet lmi ce-vlan map** *vlan-id* service instance configuration mode command.
- When you configure VLAN mapping on an EtherChannel, the mapping applies to all ports in the port channel.
- You cannot configure encapsulation replicate on a SPAN destination port if the source port is configured as a tunnel port or has a 1-to-2 mapping configured. Encapsulation replicate is supported with 1-to-1 VLAN mapping.
- To determine switch resources used for VLAN mapping, enter the **show vlan mapping usage** or **show platform vlan mapping** privileged EXEC command.

## Configuring VLAN Mapping

These procedures show how to configure each type of VLAN mapping on trunk ports. To verify your configuration, enter the **show interfaces** *interface-id* **vlan mapping** or **show vlan mapping** privileged EXEC commands. See the “[Monitoring and Maintaining Tunneling and Mapping Status](#)” section on [page 14-30](#) for the syntax of these commands. For more information about all commands in this section, see the command reference for this release.

### Configuring One-to-One Mapping

Beginning in privileged EXEC mode, follow these steps to configure one-to-one VLAN mapping to map a customer VLAN ID to a service-provider VLAN ID. You can use the **default drop** keywords to specify that traffic is dropped unless both the specified C-VLAN ID and S-VLAN ID combination is explicitly mapped.

	Command	Purpose
Step 1	<b>configure terminal</b>	Enter global configuration mode.
Step 2	<b>interface</b> <i>interface-id</i>	Enter interface configuration mode for the interface connected to the service-provider network. You can enter a physical interface or an EtherChannel port channel.
Step 3	<b>switchport mode trunk</b>	Configure the interface as a trunk port.
Step 4	<b>switchport vlan mapping</b> <i>vlan-id translated-id</i>	Enter the VLAN IDs to be mapped: <ul style="list-style-type: none"> <li>• <i>vlan-id</i>—the customer VLAN ID (C-VLAN) entering the switch from the customer network. The range is from 1 to 4094.</li> <li>• <i>translated-id</i>—the assigned service-provider VLAN ID (S-VLAN). The range is from 1 to 4094.</li> </ul>
Step 5	<b>switchport vlan mapping default drop</b>	(Optional) Specify that all packets on the port are dropped if they do not match the VLANs specified in Step 4.
Step 6	<b>end</b>	Return to privileged EXEC mode.
Step 7	<b>show vlan mapping</b>	Verify the configuration.
Step 8	<b>copy running-config startup-config</b>	(Optional) Save your entries in the configuration file.

Use the **no switchport vlan mapping *vlan-id translated-id*** command to remove the VLAN mapping information. Entering **no switchport vlan mapping all** deletes all mapping configurations.

This example shows how to map VLAN IDs 1 to 5 in the customer network to VLANs 101 to 105 in the service-provider network as shown in Figure 14-4. You configure these same VLAN mapping commands for a port in Switch A and Switch B. The traffic on any other VLAN IDs is dropped.

```
Switch(config)# interface gigabitEthernet0/1
Switch(config-if)# switchport vlan mapping 1 101
Switch(config-if)# switchport vlan mapping 2 102
Switch(config-if)# switchport vlan mapping 3 103
Switch(config-if)# switchport vlan mapping 4 104
Switch(config-if)# switchport vlan mapping 4 105
Switch(config-if)# switchport vlan mapping default drop
Switch(config-if)# exit
```

In the previous example, at the ingress of the service-provider network, VLAN IDs 1 to 5 in the customer network are mapped to VLANs 101 to 105, respectively, inside of the service-provider network. At the egress of the service-provider network, VLANs 101 to 105 in the service-provider network are mapped to VLAN IDs 1 to 5, respectively, in the customer network.

## Configuring Traditional QinQ on a Trunk Port

Beginning in privileged EXEC mode, follow these steps to configure VLAN mapping for traditional QinQ on a trunk port or tunneling by default. Configuring tunneling by default bundles all packets on the port into the configured S-VLAN.

	Command	Purpose
Step 1	<b>configure terminal</b>	Enter global configuration mode.
Step 2	<b>interface <i>interface-id</i></b>	Enter interface configuration mode for the interface connected to the service-provider network. You can enter a physical interface or an EtherChannel port channel.
Step 3	<b>switchport mode trunk</b>	Configure the interface as a trunk port.
Step 4	<b>switchport trunk allowed vlan <i>vlan-id</i></b>	Configure the outer VLAN of the service provider network (S-VLAN) to be allowed on the interface. This should be the same outer VLAN ID entered in the next step.
Step 5	<b>switchport vlan mapping default dot1q-tunnel <i>outer vlan-id</i></b>	Configure VLAN mapping so that all packets entering the port are bundled into the specified S-VLAN:  <i>outer-vlan-id</i> —Enter the outer VLAN ID (S-VLAN) of the service-provider network. The range is from 1 to 4094.
Step 6	<b>end</b>	Return to privileged EXEC mode.
Step 7	<b>show interfaces <i>interface-id</i> vlan mapping</b>	Verify the configuration.
Step 8	<b>copy running-config startup-config</b>	(Optional) Save your entries in the configuration file.

Use the **no switchport vlan mapping tunnel default *outer vlan-id*** command to remove the VLAN mapping configuration. Entering **no switchport vlan mapping all** deletes all mapping configurations.

This example shows how to bundle all traffic on the port to leave the switch with the S-VLAN ID of 100.

```
Switch(config)# interface gigabitEthernet0/1
Switch(config-if)# switchport mode trunk
```

```
Switch(config-if)# switchport trunk allowed 100
Switch(config-if)# switchport vlan mapping default dot1q-tunnel 100
Switch(config-if)# exit
```

## Configuring Selective QinQ on a Trunk Port

Beginning in privileged EXEC mode, follow these steps to configure VLAN mapping for selective QinQ on a trunk port. Note that you can configure one-to-one mapping and selective QinQ on the same interface, but you cannot use the same C-VLAN IDs in both configurations. You can use the **default drop** keywords to specify that traffic is dropped unless the specified C-VLAN ID and S-VLAN ID combination is explicitly mapped.

	Command	Purpose
Step 1	<b>configure terminal</b>	Enter global configuration mode.
Step 2	<b>interface</b> <i>interface-id</i>	Enter interface configuration mode for the interface connected to the service-provider network. You can enter a physical interface or an EtherChannel port channel.
Step 3	<b>switchport mode trunk</b>	Configure the interface as a trunk port.
Step 4	<b>switchport vlan mapping</b> <i>vlan-id</i> <b>dot1q-tunnel</b> <i>outer vlan-id</i>	Enter the VLAN IDs to be mapped: <ul style="list-style-type: none"> <li><i>vlan-id</i>—the customer VLAN ID (C-VLAN) entering the switch from the customer network. The range is from 1 to 4094. You can enter a string of VLAN-IDs.</li> <li><i>outer-vlan-id</i>—Enter the outer VLAN ID (S-VLAN) of the service-provider network. The range is from 1 to 4094.</li> </ul>
Step 5	<b>switchport vlan mapping default drop</b>	(Optional) Specify that all packets on the port are dropped if they do not match the VLANs specified in Step 4.
Step 6	<b>end</b>	Return to privileged EXEC mode.
Step 7	<b>show interfaces</b> <i>interface-id</i> <b>vlan mapping</b>	Verify the configuration.
Step 8	<b>copy running-config startup-config</b>	(Optional) Save your entries in the configuration file.

Use the **no switchport vlan mapping *vlan-id* dot1q-tunnel *outer vlan-id*** command to remove the VLAN mapping configuration. Entering **no switchport vlan mapping all** deletes all mapping configurations.

This example shows how to configure selective QinQ mapping on the port so that traffic with a C-VLAN ID of 1 to 5 enters the switch with an S-VLAN ID of 100. The traffic of any other VLAN IDs is dropped.

```
Switch(config)# interface gigabitethernet0/1
Switch(config-if)# switchport vlan mapping 1-5 dot1q-tunnel 100
Switch(config-if)# switchport vlan mapping default drop
Switch(config-if)# exit
```

# Configuring IEEE 802.1ad

While QinQ is a Cisco-proprietary system to enable double-tagging to provide VLAN scalability in the provider network, 802.1ad uses standard protocols for VLAN scalability. As with QinQ, data traffic entering from the customer interface is tagged with a service-provider tag. The customer frame crosses the provider network with two tags: the inner tag is the customer tag (C-tag), and the outer tag is the service-provider tag (S-tag). Control packets appear as data inside the provider network.

See this document for a description of IEEE 802.1ad support on Cisco provider bridges with commands:

[http://www.cisco.com/en/US/docs/ios/cether/configuration/guide/ce\\_cfm-ieee\\_802\\_1ad.html](http://www.cisco.com/en/US/docs/ios/cether/configuration/guide/ce_cfm-ieee_802_1ad.html)

The Cisco ME 3400E switch supports these features:

- a switchport-based model
- all-to-one bundling
- service multiplexing (complex UNI)
- split horizon (Cisco IOS Release 12.2(55)SE and later)

In 802.1ad, a switchport is configured as either a customer user-network interface (C-UNI), a service-provider UNI (S-UNI), or a network-to-network interface (NNI). Only Layer 2 interfaces can be 802.1ad ports.

- C-UNI—can be either an access port or an 802.1Q trunk port. The port uses the customer bridge addresses. To configure a C-UNI port, enter the **ethernet dot1ad uni c-port** interface configuration command. New keywords added to the **switchport vlan mapping** interface configuration command allow all-to-one or selective bundling capability for customer VLANs when the interface is configured as an 802.1ad trunk C-UNI port.
- S-UNI—an access port that provides the same service to all customer VLANs entering the interface, marking all C-VLANs entering the port with the same S-VLAN. In this mode, the customer's port is configured as a trunk port, and traffic entering the S-UNI is tagged. On S-UNIs, CDP and LLDP are disabled, and STP BPDU filtering and Port Fast are enabled. You can configure the port as an access port only; trunk configuration is not allowed.
  - CFM C-VLAN configuration is not allowed on an S-UNI.
  - On an ME 3400E switch, you enter the **ethernet dot1ad uni s-port** interface configuration command on an access port with an access VLAN.
- NNI—entering the **ethernet dot1ad nni** interface command on a trunk port creates 802.1ad EtherType (0x88a8) and uses S-bridge addresses for CPU-generated Layer 2 protocol PDUs. Only trunk ports can be NNIs. CFM C-VLAN configuration is not allowed on an NNI.

See the command reference for more information on the commands that support this feature.

For information about 802.1ad QoS, see the “[Configuring 802.1ad QoS](#)” section on page 34-89.

- “[802.1ad and Split-Horizon Configuration Guidelines](#)” section on page 14-14
- “[Configuring 802.1ad EtherChannels](#)” section on page 14-15
- “[Configuring 802.1ad Split Horizon](#)” section on page 14-18

## 802.1ad and Split-Horizon Configuration Guidelines

- An S-UNI (isolated or nonisolated port) must be an access port.
- An NNI must be a trunk port. If you enter the **ethernet dot1ad nni** interface configuration command on a port that is not a trunk port, the switchport mode is automatically changed to trunk.
- A C-UNI (isolated or nonisolated port) can be either an access port or a trunk port.
- On Cisco ME 3400 E switches, 802.1ad is a port-based feature. There is no global command for enabling 802.1ad. By default, without 802.1ad, all switchports are traditional 802.1Q ports.
- When 802.1ad is enabled, the tunneling of customer data frames is done in software. If the incoming BPDU rate is high, there could be some impact on CPU utilization.
- The switches do not support 802.1ad on EVCs or 802.1ad Layer 3 termination.
- Releases earlier than Cisco IOS Release 12.2(55)SE do not support split horizon on 802.1ad interfaces. The Catalyst 3750 Metro switch does not support 802.1ad split horizon.
- You cannot enable Layer 2 protocol tunneling on 802.1ad interfaces. The features are mutually exclusive.
- ME 3400E switches support a mixed configuration model for 802.1ad that allows traditional QinQ tunnels and 802.1ad tunnels on a bridge at the same time. When configuring a switch in mixed configuration mode, be sure to separate the broadcast domains for traditional 802.1Q tunneling and 802.1ad tunneling. To ensure functionality, do not configure 802.1ad NNI trunk ports and 802.1Q egress trunks with overlapping sets of allowed VLANs.
- Configuring nonisolated 802.1ad (C-UNI, S-UNI, NNI) internally uses interface port type NNI. Configuring isolated 802.1ad (C-UNI or S-UNI) without a Layer 2 protocol configuration internally uses interface port type ENI. Therefore, 802.1ad isolated and nonisolated port types (C-UNI, S-UNI, NNI) are mutually exclusive with interface port types (NNI, UNI, ENI).
- When configuring the service provider network for 802.1ad, be sure to configure 802.1ad NNIs on all interconnecting trunk ports. This is required for end-to-end functionality for customer Layer 2 PDUs in the service provider network.
- You cannot configure a port as an 802.1ad isolated C-UNI or S-UNI if an 802.1ad port type is already configured on an interface. The command is rejected with an error message.
- You cannot change the 802.1ad port type on an isolated C-UNI trunk port if VLAN mapping is configured on the port. You must remove the VLAN mapping configuration first.
- When you configure a port as an 802.1ad isolated or nonisolated S-UNI, this internally configures the switchport mode to dot1q-tunnel mode to provide port-based services. You are not allowed to change the switchport mode on an S-UNI.
- When you enter the **l2protocol forward** interface configuration command on an 802.1ad isolated UNI (S-UNI or C-UNI) to configure the BPDU action for Layer 2 protocols as *forward*, CDP and LLDP are disabled and STP BPDU filtering and Port Fast are enabled implicitly so that the provider edge switch does not participate in the customer topology.
- When you enter the **l2protocol peer** interface configuration command to configure the Layer 2 protocol action as *peer* for CDP, LLDP or STP, these protocols are automatically enabled on the isolated 802.1ad interface.
- When you remove an isolated or nonisolated 802.1ad configuration from a port, all implicit configuration is cleared from the interface except for platform port-type (UNI/ ENI/NNI).

- The sequence for saving 802.1ad and Layer 2 protocol commands has been changed in Cisco IOS release 12.2(55)SE so that **ethernet dot1ad** commands are saved in the startup configuration before **switchport** commands. This prevents any 802.1ad-related configuration from being lost if the system reloads or when a configuration is copied from a file to the running-configuration.

## Configuring 802.1ad EtherChannels

### 802.1ad EtherChannel Guidelines

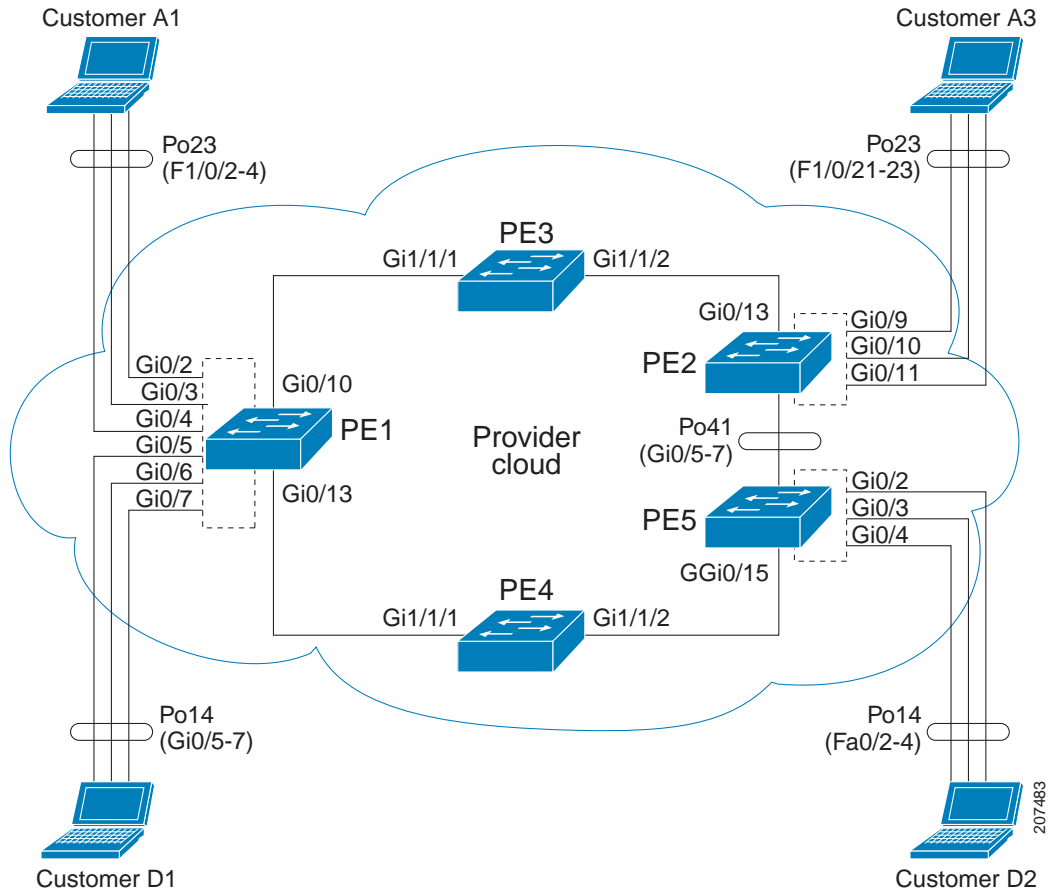
- When configuring isolated 802.1ad S-UNI or C-UNI on EtherChannels, configure the EtherChannel group first, and then configure 802.1ad port configuration on the EtherChannel interface. When configured on the EtherChannel port channel, the 802.1ad configuration is applied to all ports in the EtherChannel.
- For PAgP or LACP EtherChannels with isolated S-UNI or C-UNI, you must enter the **l2protocol peer pagp** or **l2protocol peer lacp** interface configuration command for the EtherChannel to function. Not entering these commands results in a continuous channel flap.
- When an EtherChannel is unbundled, all 802.1ad-implicit configuration is removed from the member ports of the EtherChannel. This includes STP, CDP, LLDP, and dot1q tunnel mode 802.1ad configuration. The configuration is not removed if the port is shut down.
- You cannot add a port to an EtherChannel if the port already has 802.1ad enabled.
- When you configure 802.1ad NNI or C-UNI on an EtherChannel port channel, before you add a new member port to the EtherChannel, you must configure switchport mode trunk on the new member. Failure to configure the new member as a trunk port results in a trunk encapsulation mismatch and the port is suspended.
- When you configure an 802.1ad C-UNI trunk port with VLAN mapping on an EtherChannel port channel, if you add a new member to the existing C-UNI EtherChannel, you must first configure trunk mode and VLAN mapping on the new member. Failure to configure these features results in a configuration mismatch between the EtherChannel and the new member port.
- When you apply a stored configuration that includes 802.1ad on a channel interface to a switch, you must make sure that the EtherChannel is formed first and the member ports are correctly configured before you apply the 802.1ad configuration. Directly applying a stored configuration to a switch can result in unexpected EtherChannel configuration, for example, ports not bundled into the EtherChannel, which could shut down the EtherChannel.

### \Configuration Example for 802.1ad End-to-End PAgP EtherChannels between CE Devices

Follow this configuration sequence when both CE and PE devices are actively participating in PAgP or LACP EtherChannels.

See [Figure 14-5](#). For end-to-end PAgP EtherChannel tunneling between CE devices, you should extend the CE connections through the service provider network as a point-to-point service when the PE device has no EtherChannels in **on** mode. See the “[Configuring Layer 2 Tunneling for EtherChannels](#)” section on [page 14-26](#). The same procedure applies to 802.1ad tunnels.

Figure 14-5 802.1ad End-to-End PAgP EtherChannels



Configuration on Customer A1

```
Switch #show etherchannel summary
```

```
Flags: D - down          P - bundled in port-channel
I - stand-alone s - suspended
H - Hot-standby (LACP only)
R - Layer3          S - Layer2
U - in use          f - failed to allocate aggregator
```

```
M - not in use, minimum links not met
u - unsuitable for bundling
w - waiting to be aggregated
d - default port
```

```
Number of channel-groups in use: 2
Number of aggregators:          2
```

Group	Port-channel	Protocol	Ports		
23	Po23 (SU)	PAgP (desirable)	Fa1/0/2 (P)	Fa1/0/3 (P)	Fa1/0/4 (P)



## Configuration on PE-1

### UNI-S port mode

```
Switch (config)# interface GigabitEthernet0/2
Switch (config-if)# switchport mode access
Switch (config-if)# switchport access vlan 4002
Switch (config-if)# ethernet dot1ad uni s-port

Switch (config)# interface GigabitEthernet0/3
Switch (config-if)# switchport mode access
Switch (config-if)# switchport access vlan 4001
Switch (config-if)# ethernet dot1ad uni s-port

Switch (config)# interface GigabitEthernet0/4
Switch (config-if)# switchport mode access
Switch (config-if)# switchport access vlan 4003
Switch (config-if)# ethernet dot1ad uni s-port

Switch (config)# interface GigabitEthernet0/10
Switch (config-if)# switchport trunk allowed vlan 4001-4094
Switch (config-if)# switchport mode trunk
Switch (config-if)# ethernet dot1ad nni
```

### UNI-C port mode

```
Switch (config)# interface GigabitEthernet0/2
Switch (config-if)# switchport mode trunk
Switch (config-if)# switchport access vlan 4002
Switch (config-if)# switchport trunk allowed vlan 4002
Switch (config-if)# mapping default dot1ad-bundle 4002
Switch (config-if)# ethernet dot1ad uni c-port
```

Configuration on PE-2 is similar to PE-1

### Configuration on PE-3

```
Switch (config)# interface GigabitEthernet1/1/1
Switch (config-if)# switchport mode trunk
Switch (config-if)# switchport trunk allowed vlan 4001-4094
Switch (config-if)# udld port aggressive
Switch (config-if)# ethernet dot1ad nni

Switch (config)# interface GigabitEthernet1/1/2
Switch (config-if)# switchport mode trunk
Switch (config-if)# switchport trunk allowed vlan 4001-4094
Switch (config-if)# udld port aggressive
Switch (config-if)# ethernet dot1ad nni
Switch (config-if)# ethernet dot1ad nni
```

### Configuration on Customer A3

```
Switch (config)# interface Port-channel23
Switch (config-if)# switchport trunk encapsulation dot1q
Switch (config-if)# switchport mode trunk

Switch (config)# interface FastEthernet1/0/21
Switch (config-if)# switchport trunk encapsulation dot1q
Switch (config-if)# switchport mode trunk
Switch (config-if)# channel-protocol pagp
Switch (config-if)# channel-group 23 mode desirable

Switch (config)# interface FastEthernet1/0/22
Switch (config-if)# switchport trunk encapsulation dot1q
Switch (config-if)# switchport mode trunk
```

```
Switch (config-if)# channel-protocol pagp
Switch (config-if)# channel-group 23 mode desirable

Switch (config-if)# interface FastEthernet1/0/23
Switch (config-if)# switchport trunk encapsulation dot1q
Switch (config-if)# switchport mode trunk
Switch (config-if)# channel-protocol pagp
Switch (config-if)# channel-group 23 mode desirable
```

### Configuration with 802.1ad C-UNI port on PE-2 and PE-3

```
Switch (config)# interface GigabitEthernet0/2
Switch (config-if)# switchport access vlan 4002
Switch (config-if)# switchport mode trunk
Switch (config-if)# switchport trunk allowed vlan 4002
Switch (config-if)# switchport vlan mapping default dot1ad-bundle 4002
Switch (config-if)# Ethernet dot1ad uni c-port
```

```
Switch (config)# interface GigabitEthernet0/3
Switch (config-if)# switchport access vlan 4001
Switch (config-if)# switchport mode trunk
Switch (config-if)# switchport trunk allowed vlan 4001
Switch (config-if)# switchport vlan mapping default dot1ad-bundle 4001
Switch (config-if)# Ethernet dot1ad uni c-port
```

```
Switch (config)# interface GigabitEthernet0/4
Switch (config-if)# switchport access vlan 4003
Switch (config-if)# switchport mode trunk
Switch (config-if)# switchport trunk allowed vlan 4003
Switch (config-if)# switchport vlan mapping default dot1ad-bundle 4003
Switch (config-if)# Ethernet dot1ad uni c-port
```

The configuration on other switches remains the same in the 802.1ad C-UNI scenario.

## Configuring 802.1ad Split Horizon

Configuring the split-horizon feature on an 802.1ad C-UNI or S-UNI Layer 2 switchport maintains customer data confidentiality by preventing communication between customer-edge switches with the same VLAN IDs. Entering the **ethernet dot1ad uni {c-port isolate | s-port isolate}** interface configuration command on a port in the 802.1ad domain enables the split-horizon capability. By default, Layer 2 bridge protocol data units (BPDUs) are dropped on an 802.1ad isolated port.

You can set other actions (**forward** or **peer**) for specific protocols by entering the **l2protocol** interface configuration command on the isolated port and setting the action to be taken on the protocol packet. Entering **l2protocol forward** disables the protocol on the isolated port. When you enter **l2protocol peer**, if CDP, LLDP, or STP are configured on the peer, they are implicitly enabled on the isolated UNI port. You must enter other protocols and explicitly enable them on the isolated UNI port.

See this document for more information about IEEE 802.1ad support on Cisco provider bridges:

[http://www.cisco.com/en/US/docs/ios/cether/configuration/guide/ce\\_cfm-ieee\\_802\\_1ad.html](http://www.cisco.com/en/US/docs/ios/cether/configuration/guide/ce_cfm-ieee_802_1ad.html)



### Note

As with other 802.1ad ports, an S-UNI isolated port must be an access port. A C-UNI isolated port can be either an access or a trunk port.

Beginning in privileged EXEC mode, follow these steps to configure split horizon on an 802.1ad port:

	Command	Purpose
Step 1	<b>configure terminal</b>	Enter global configuration mode.
Step 2	<b>interface</b> <i>interface-id</i>	Enter interface configuration mode for the interface connected to the service-provider network. You can enter a physical interface or an EtherChannel port channel.
Step 3	<b>switchport mode access</b>	Configure the interface as an access port.
Step 4	<b>ethernet dot1ad uni {c- port isolate   s-port isolate}</b>	Configure the port for 802.1ad split horizon by enabling C-UNI or S-UNI port isolation. <ul style="list-style-type: none"> <li>• <b>c- port isolate</b>—Configure the port as a C-UNI isolated port.</li> <li>• <b>s-port isolate</b>—Configure the port as an S-UNI isolated port.</li> </ul> <p><b>Note</b> S-UNI isolated ports must be access ports. C-UNI isolated ports can be access or trunk ports.</p>
Step 5	<b>l2protocol [peer   forward] [protocol]</b>	(Optional) Configure the port to process or forward Layer 2 BPDUs. By default protocols are dropped on isolated C-UNIs and S-UNI s.
Step 6	<b>end</b>	Return to privileged EXEC mode.
Step 7	<b>show ethernet dot1ad</b>	Verify the configuration.
Step 8	<b>copy running-config startup-config</b>	(Optional) Save your entries in the configuration file.

To disable split horizon on an interface, enter the **no ethernet dot1ad uni {c- port isolate | s-port isolate}** interface configuration command.

This example configures an 802.1ad isolated UNI to drop all BPDUs:

```
Switch (config)# interface GigabitEthernet0/4
Switch (config-if)# switchport mode access
Switch (config-if)# ethernet dot1ad uni s-port isolate
Switch (config-if)# end
```

This example sets other actions to be taken on BPDUs on an 802.1ad isolated UNI by configuring the peer of the isolated UNI to process BPDUs.



**Note** Before you configure a port as an 802.1ad port, remove any Layer 2 protocol or VLAN mapping configuration from the port.

```
Switch (config)# interface GigabitEthernet0/4
Switch (config-if)# switchport mode access
Switch (config-if)# ethernet dot1ad uni s-port isolate
Switch (config-if)# l2protocol peer
Switch (config-if)# cdp enable
Switch (config-if)# lldp transmit
Switch (config-if)# lldp receive
Switch (config-if)# end
```

# Understanding Layer 2 Protocol Tunneling

Customers at different sites connected across a service-provider network need to use various Layer 2 protocols to scale their topologies to include all remote sites, as well as the local sites. STP must run properly, and every VLAN should build a proper spanning tree that includes the local site and all remote sites across the service-provider network. Cisco Discovery Protocol (CDP) must discover neighboring Cisco devices from local and remote sites. VLAN Trunking Protocol (VTP) must provide consistent VLAN configuration throughout all sites in the customer network that are participating in VTP.

**Note**

---

The Cisco ME switch does not support VTP; CDP and STP are supported by default on NNIs and can be enabled on ENIs. However, Layer 2 protocol tunneling is supported on all ports on the switch.

---

When protocol tunneling is enabled, edge switches on the inbound side of the service-provider network encapsulate Layer 2 protocol packets with a special MAC address and send them across the service-provider network. Core switches in the network do not process these packets but forward them as normal packets. Layer 2 protocol data units (PDUs) for CDP, STP, or VTP cross the service-provider network and are delivered to customer switches on the outbound side of the service-provider network. Identical packets are received by all customer ports on the same VLANs with these results:

- Users on each of a customer's sites can properly run STP, and every VLAN can build a correct spanning tree based on parameters from all sites and not just from the local site.
- CDP discovers and shows information about the other Cisco devices connected through the service-provider network.
- VTP provides consistent VLAN configuration throughout the customer network, propagating to all switches through the service provider that support VTP.

**Note**

---

To provide interoperability with third-party vendors, you can use the Layer 2 protocol-tunnel bypass feature. Bypass mode transparently forwards control PDUs to vendor switches that have different ways of controlling protocol tunneling. You implement bypass mode by enabling Layer 2 protocol tunneling on the egress trunk port. When Layer 2 protocol tunneling is enabled on the trunk port, the encapsulated tunnel MAC address is removed and the protocol packets have their normal MAC address.

---

Layer 2 protocol tunneling can be used independently or can enhance 802.1Q tunneling. If protocol tunneling is not enabled on 802.1Q tunneling ports, remote switches at the receiving end of the service-provider network do not receive the PDUs and cannot properly run STP, CDP, and VTP. When protocol tunneling *is* enabled, Layer 2 protocols within each customer's network are totally separate from those running within the service-provider network. Customer switches on different sites that send traffic through the service-provider network with 802.1Q tunneling achieve complete knowledge of the customer's VLAN. If 802.1Q tunneling is not used, you can still enable Layer 2 protocol tunneling by connecting to the customer switch through access or trunk ports and enabling tunneling on the service-provider access or trunk port.

For example, in [Figure 14-6](#), Customer X has four switches in the same VLAN, that are connected through the service-provider network. If the network does not tunnel PDUs, switches on the far ends of the network cannot properly run STP, CDP, and VTP. For example, STP for a VLAN on a switch in Customer X, Site 1, will build a spanning tree on the switches at that site without considering convergence parameters based on Customer X's switch in Site 2. This could result in the topology shown in [Figure 14-7](#).

Figure 14-6 Layer 2 Protocol Tunneling

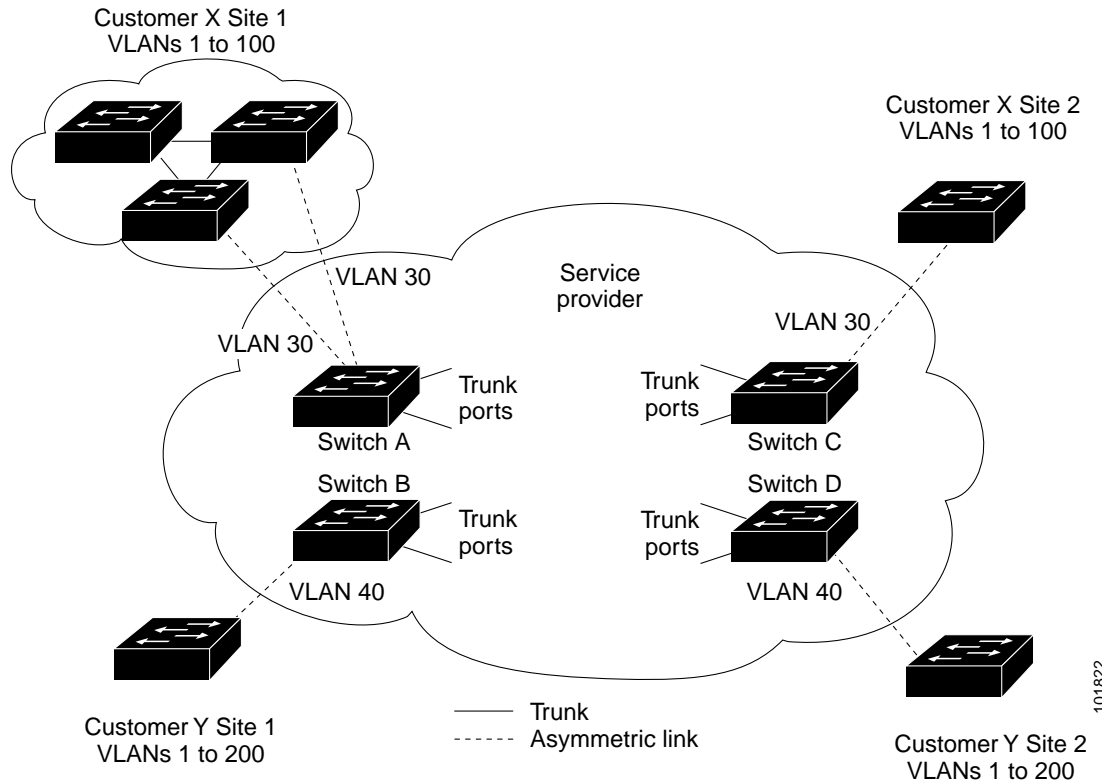
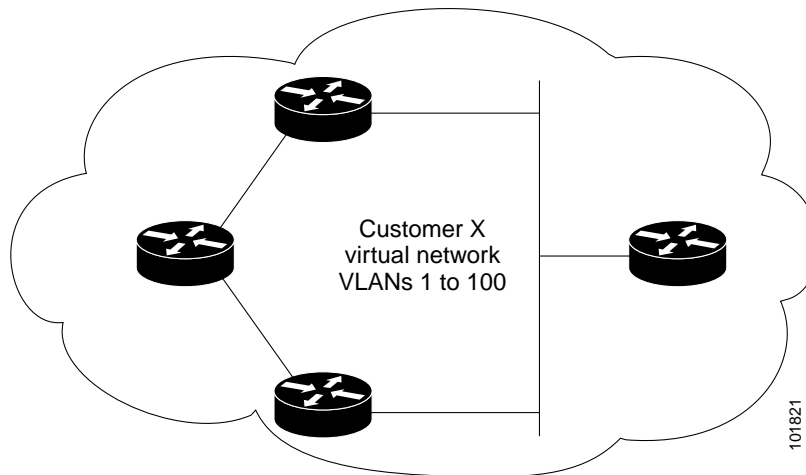


Figure 14-7 Layer 2 Network Topology without Proper Convergence



In an SP network, you can use Layer 2 protocol tunneling to enhance the creation of EtherChannels by emulating a point-to-point network topology. When you enable protocol tunneling (PAgP or LACP) on the SP switch, remote customer switches receive the PDUs and can negotiate the automatic creation of EtherChannels.



See [Figure 14-6](#), with Customer X and Customer Y in access VLANs 30 and 40, respectively. Asymmetric links connect the customers in Site 1 to edge switches in the service-provider network. The Layer 2 PDUs (for example, BPDUs) coming into Switch B from Customer Y in Site 1 are forwarded to the infrastructure as double-tagged packets with the well-known MAC address as the destination MAC address. These double-tagged packets have the metro VLAN tag of 40, as well as an inner VLAN tag (for example, VLAN 100). When the double-tagged packets enter Switch D, the outer VLAN tag 40 is removed, the well-known MAC address is replaced with the respective Layer 2 protocol MAC address, and the packet is sent to Customer Y on Site 2 as a single-tagged frame in VLAN 100.

You can also enable Layer 2 protocol tunneling on access ports on the edge switch connected to access or trunk ports on the customer switch. In this case, the encapsulation and decapsulation process is the same as described in the previous paragraph, except that the packets are not double-tagged in the service-provider network. The single tag is the customer-specific access VLAN tag.

These sections contain this configuration information:

- [Default Layer 2 Protocol Tunneling Configuration, page 14-23](#)
- [Layer 2 Protocol Tunneling Configuration Guidelines, page 14-23](#)
- [Configuring Layer 2 Protocol Tunneling, page 14-25](#)
- [Configuring Layer 2 Tunneling for EtherChannels, page 14-26](#)

## Default Layer 2 Protocol Tunneling Configuration

[Table 14-1](#) shows the default Layer 2 protocol tunneling configuration.

**Table 14-1** *Default Layer 2 Ethernet Interface VLAN Configuration*

Feature	Default Setting
Layer 2 protocol tunneling	Disabled.
Shutdown threshold	None set.
Drop threshold	None set.
CoS value	If a CoS value is configured on the interface, that value is used to set the BPDU CoS value for Layer 2 protocol tunneling. If no CoS value is configured at the interface level, the default value for CoS marking of L2 protocol tunneling BPDUs is 5. This does not apply to data traffic.

## Layer 2 Protocol Tunneling Configuration Guidelines

These are some configuration guidelines and operating characteristics of Layer 2 protocol tunneling:

- The switch supports tunneling of CDP, STP, including multiple STP (MSTP), and VTP. Protocol tunneling is disabled by default but can be enabled for the individual protocols on 802.1Q tunnel ports, access ports, or trunk ports.

- The edge switches on the outbound side of the service-provider network restore the proper Layer 2 protocol and MAC address information and forward the packets to all Layer 2 protocol-enabled tunnel, access, and trunk ports in the same metro VLAN.
- For interoperability with third-party vendor switches, the switch supports a Layer 2 protocol-tunnel bypass feature. Bypass mode transparently forwards control PDUs to vendor switches that have different ways of controlling protocol tunneling. When Layer 2 protocol tunneling is enabled on ingress ports on a switch, egress trunk ports forward the tunneled packets with a special encapsulation. If you also enable Layer 2 protocol tunneling on the egress trunk port, this behavior is bypassed, and the switch forwards control PDUs without any processing or modification.
- The switch supports PAgP, LACP, and UDLD tunneling for emulated point-to-point network topologies. Protocol tunneling is disabled by default but can be enabled for the individual protocols on 802.1Q tunnel ports, access ports, or trunk ports.
- If you enable PAgP or LACP tunneling, we recommend that you also enable UDLD on the interface for faster link-failure detection.
- Loopback detection is not supported on Layer 2 protocol tunneling of PAgP, LACP, or UDLD packets.
- EtherChannel port groups are compatible with tunnel ports when the 802.1Q configuration is consistent within an EtherChannel port group.
- If an encapsulated PDU (with the proprietary destination MAC address) is received from a tunnel port or access or trunk port with Layer 2 tunneling enabled, the tunnel port is shut down to prevent loops. The port also shuts down when a configured shutdown threshold for the protocol is reached. You can manually re-enable the port (by entering a **shutdown** and a **no shutdown** command sequence). If errdisable recovery is enabled, the operation is retried after a specified time interval.
- Only decapsulated PDUs are forwarded to the customer network. The spanning-tree instance running on the service-provider network does not forward BPDUs to tunnel ports. CDP packets are not forwarded from tunnel ports.
- When protocol tunneling is enabled on an interface, you can set a per-protocol, per-port, shutdown threshold for the PDUs generated by the customer network. If the limit is exceeded, the port shuts down. You can also limit BPDU rate by using QoS ACLs and policy maps on a tunnel port.
- When protocol tunneling is enabled on an interface, you can set a per-protocol, per-port, drop threshold for the PDUs generated by the customer network. If the limit is exceeded, the port drops PDUs until the rate at which it receives them is below the drop threshold.
- Because tunneled PDUs (especially STP BPDUs) must be delivered to all remote sites so that the customer virtual network operates properly, you can give PDUs higher priority within the service-provider network than data packets received from the same tunnel port. By default, the PDUs use the same CoS value as data packets.



## Configuring Layer 2 Protocol Tunneling

Beginning in privileged EXEC mode, follow these steps to configure a port for Layer 2 protocol tunneling:

	Command	Purpose
Step 1	<b>configure terminal</b>	Enter global configuration mode.
Step 2	<b>interface</b> <i>interface-id</i>	Enter interface configuration mode, and enter the interface to be configured as a tunnel port. This should be the edge port in the service-provider network that connects to the customer switch. Valid interfaces can be physical interfaces and port-channel logical interfaces (port channels 1 to 48).
Step 3	<b>no shutdown</b>	Enable the port, if necessary. By default, UNIs and ENIs are disabled, and NNIs are enabled.
Step 4	<b>switchport mode access</b> or <b>switchport mode dot1q-tunnel</b> or <b>switchport mode trunk</b>	Configure the interface as an access port, an 802.1Q tunnel port or a trunk port. The default switchport mode is access.
Step 5	<b>l2protocol-tunnel</b> [ <b>cdp</b>   <b>stp</b>   <b>vtp</b> ]	Enable protocol tunneling for the desired protocol. If no keyword is entered, tunneling is enabled for all three Layer 2 protocols.
Step 6	<b>l2protocol-tunnel shutdown-threshold</b> [ <b>cdp</b>   <b>stp</b>   <b>vtp</b> ] <i>value</i>	(Optional) Configure the threshold for packets-per-second accepted for encapsulation. The interface is disabled if the configured threshold is exceeded. If no protocol option is specified, the threshold applies to each of the tunneled Layer 2 protocol types. The range is 1 to 4096. The default is to have no threshold configured.  <b>Note</b> If you also set a drop threshold on this interface, the shutdown-threshold value must be greater than or equal to the drop-threshold value.
Step 7	<b>l2protocol-tunnel drop-threshold</b> [ <b>cdp</b>   <b>stp</b>   <b>vtp</b> ] <i>value</i>	(Optional) Configure the threshold for packets-per-second accepted for encapsulation. The interface drops packets if the configured threshold is exceeded. If no protocol option is specified, the threshold applies to each of the tunneled Layer 2 protocol types. The range is 1 to 4096. The default is to have no threshold configured.  If you also set a shutdown threshold on this interface, the drop-threshold value must be less than or equal to the shutdown-threshold value.
Step 8	<b>exit</b>	Return to global configuration mode.
Step 9	<b>errdisable recovery cause l2ptguard</b>	(Optional) Configure the recovery mechanism from a Layer 2 maximum-rate error so that the interface is re-enabled and can try again. Errdisable recovery is disabled by default; when enabled, the default time interval is 300 seconds.
Step 10	<b>l2protocol-tunnel cos</b> <i>value</i>	(Optional) Configure the CoS value for all tunneled Layer 2 PDUs. The range is 0 to 7; the default is the default CoS value for the interface. If none is configured, the default is 5.
Step 11	<b>end</b>	Return to privileged EXEC mode.

	Command	Purpose
Step 12	<b>show l2protocol</b>	Display the Layer 2 tunnel ports on the switch, including the protocols configured, the thresholds, and the counters.
Step 13	<b>copy running-config startup-config</b>	(Optional) Save your entries in the configuration file.

Use the **no l2protocol-tunnel [cdp | stp | vtp]** interface configuration command to disable protocol tunneling for one of the Layer 2 protocols or for all three. Use the **no l2protocol-tunnel shutdown-threshold [cdp | stp | vtp]** and the **no l2protocol-tunnel drop-threshold [cdp | stp | vtp]** commands to return the shutdown and drop thresholds to the default settings.

This example shows how to configure Layer 2 protocol tunneling for CDP, STP, and VTP and to verify the configuration.

```
Switch(config)# interface gigatEthernet0/1
Switch(config-if)# l2protocol-tunnel cdp
Switch(config-if)# l2protocol-tunnel stp
Switch(config-if)# l2protocol-tunnel vtp
Switch(config-if)# l2protocol-tunnel shutdown-threshold 1500
Switch(config-if)# l2protocol-tunnel drop-threshold 1000
Switch(config-if)# exit
Switch(config)# l2protocol-tunnel cos 7
Switch(config)# end
Switch# show l2protocol
COS for Encapsulated Packets: 7
Port      Protocol Shutdown Drop      Encapsulation Decapsulation Drop
          Threshold Threshold Counter      Counter      Counter
-----
Gi 0/1   cdp          1500    1000 2288      2282         0
          stp          1500    1000 116       13           0
          vtp          1500    1000 3         67           0
          pagp        ----     ---- 0         0            0
          lacp        ----     ---- 0         0            0
          udld        ----     ---- 0         0            0
```


## Configuring Layer 2 Tunneling for EtherChannels

To configure Layer 2 point-to-point tunneling to facilitate the creation of EtherChannels, you need to configure both the SP edge switch and the customer switch.

### Configuring the SP Edge Switch

Beginning in privileged EXEC mode, follow these steps to configure a SP edge switch for Layer 2 protocol tunneling for EtherChannels:

	Command	Purpose
Step 1	<b>configure terminal</b>	Enter global configuration mode.
Step 2	<b>interface interface-id</b>	Enter interface configuration mode, and enter the interface to be configured as a tunnel port. This should be the edge port in the SP network that connects to the customer switch. Valid interfaces are physical interfaces.
Step 3	<b>no shutdown</b>	Enable the port, if necessary. By default, UNIs and ENIs are disabled, and NNIs are enabled.
Step 4	<b>switchport mode dot1q-tunnel</b>	Configure the interface as an 802.1Q tunnel port.

Command	Purpose
Step 5 <b>l2protocol-tunnel point-to-point</b> <b>[pagp   lacp   udld]</b>	(Optional) Enable point-to-point protocol tunneling for the desired protocol. If no keyword is entered, tunneling is enabled for all three protocols.   <b>Caution</b> To avoid a network failure, make sure that the network is a point-to-point topology before you enable tunneling for PAGP, LACP, or UDLD packets.
Step 6 <b>l2protocol-tunnel shutdown-threshold</b> <b>[point-to-point</b> <b>[pagp   lacp   udld]]</b> <i>value</i>	(Optional) Configure the threshold for packets-per-second accepted for encapsulation. The interface is disabled if the configured threshold is exceeded. If no protocol option is specified, the threshold applies to each of the tunneled Layer 2 protocol types. The range is 1 to 4096. The default is to have no threshold configured.  <b>Note</b> If you also set a drop threshold on this interface, the shutdown-threshold value must be greater than or equal to the drop-threshold value.
Step 7 <b>l2protocol-tunnel drop-threshold</b> <b>[point-to-point [pagp   lacp   udld]]</b> <i>value</i>	(Optional) Configure the threshold for packets-per-second accepted for encapsulation. The interface drops packets if the configured threshold is exceeded. If no protocol option is specified, the threshold applies to each of the tunneled Layer 2 protocol types. The range is 1 to 4096. The default is to have no threshold configured.  <b>Note</b> If you also set a shutdown threshold on this interface, the drop-threshold value must be less than or equal to the shutdown-threshold value.
Step 8 <b>no cdp enable</b>	If the interface is an NNI, disable CDP on the interface. CDP is disabled by default on ENIs. UNIs do not support CDP.
Step 9 <b>spanning-tree bpdufilter enable</b>	If the interface is an NNI or ENI, enable BPDU filtering on the interface. UNIs do not support STP PBDU filtering.
Step 10 <b>exit</b>	Return to global configuration mode.
Step 11 <b>errdisable recovery cause l2ptguard</b>	(Optional) Configure the recovery mechanism from a Layer 2 maximum-rate error so that the interface is re-enabled and can try again. Errdisable recovery is disabled by default; when enabled, the default time interval is 300 seconds.
Step 12 <b>l2protocol-tunnel cos</b> <i>value</i>	(Optional) Configure the CoS value for all tunneled Layer 2 PDUs. The range is 0 to 7; the default is the default CoS value for the interface. If none is configured, the default is 5.
Step 13 <b>end</b>	Return to privileged EXEC mode.
Step 14 <b>show l2protocol</b>	Display the Layer 2 tunnel ports on the switch, including the protocols configured, the thresholds, and the counters.
Step 15 <b>copy running-config startup-config</b>	(Optional) Save your entries in the configuration file.

Use the **no l2protocol-tunnel [point-to-point [pagp | lacp | udld]]** interface configuration command to disable point-to-point protocol tunneling for one of the Layer 2 protocols or for all three. Use the **no l2protocol-tunnel shutdown-threshold [point-to-point [pagp | lacp | udld]]** and the **no l2protocol-tunnel drop-threshold [[point-to-point [pagp | lacp | udld]]** commands to return the shutdown and drop thresholds to the default settings.

## Configuring the Customer Switch

After configuring the SP edge switch, begin in privileged EXEC mode and follow these steps to configure a customer switch for Layer 2 protocol tunneling for EtherChannels:

	Command	Purpose
Step 1	<b>configure terminal</b>	Enter global configuration mode.
Step 2	<b>interface</b> <i>interface-id</i>	Enter the interface configuration mode. This should be the customer switch port.
Step 3	<b>no shutdown</b>	Enable the port, if necessary. By default, UNIs and ENIs are disabled and NNIs are enabled.
Step 4	<b>switchport mode trunk</b>	Enable trunking on the interface.
Step 5	<b>udld enable</b>	Enable UDLD in <b>normal</b> mode on the interface.
Step 6	<b>channel-group</b> <i>channel-group-number</i> <b>mode desirable</b>	Assign the interface to a channel group, and specify <b>desirable</b> for the PAgP mode if the interface is an NNI or ENI. For more information about configuring EtherChannels, see <a href="#">Chapter 35, “Configuring EtherChannels and Link-State Tracking.”</a>
Step 7	<b>exit</b>	Return to global configuration mode.
Step 8	<b>interface port-channel</b> <i>port-channel number</i>	Enter port-channel interface mode.
Step 9	<b>shutdown</b>	Shut down the interface.
Step 10	<b>no shutdown</b>	Enable the interface.
Step 11	<b>end</b>	Return to privileged EXEC mode.
Step 12	<b>show l2protocol</b>	Display the Layer 2 tunnel ports on the switch, including the protocols configured, the thresholds, and the counters.
Step 13	<b>copy running-config startup-config</b>	(Optional) Save your entries in the configuration file.

Use the **no switchport mode trunk**, the **no udld enable**, and the **no channel group channel-group-number mode desirable** interface configuration commands to return the interface to the default settings.

For EtherChannels, you need to configure both the SP edge switches and the customer switches for Layer 2 protocol tunneling. (See [Figure 14-8 on page 14-22.](#))

This example shows how to configure the SP edge switch 1 and edge switch 2. VLANs 17, 18, 19, and 20 are the access VLANs, Gigabit Ethernet interfaces 1 and 2 are point-to-point tunnel ports with PAgP and UDLD enabled, the drop threshold is 1000, and Fast Ethernet interface 3 is a trunk port.

SP edge switch 1 configuration:

```
Switch(config)# interface gigabitethernet0/1
Switch(config-if)# switchport access vlan 17
Switch(config-if)# switchport mode dot1q-tunnel
Switch(config-if)# l2protocol-tunnel point-to-point pagp
Switch(config-if)# l2protocol-tunnel point-to-point udld
Switch(config-if)# l2protocol-tunnel drop-threshold point-to-point pagp 1000
Switch(config-if)# exit
Switch(config)# interface gigabitethernet0/2
Switch(config-if)# switchport access vlan 18
Switch(config-if)# switchport mode dot1q-tunnel
Switch(config-if)# l2protocol-tunnel point-to-point pagp
```

```
Switch(config-if)# l2protocol-tunnel point-to-point uddl
Switch(config-if)# l2protocol-tunnel drop-threshold point-to-point pagp 1000
Switch(config-if)# exit
Switch(config)# interface fastethernet0/3
Switch(config-if)# no shutdown
Switch(config-if)# switchport mode trunk
```

SP edge switch 2 configuration:

```
Switch(config)# interface gigabitethernet0/1
Switch(config-if)# switchport access vlan 19
Switch(config-if)# switchport mode dot1q-tunnel
Switch(config-if)# l2protocol-tunnel point-to-point pagp
Switch(config-if)# l2protocol-tunnel point-to-point uddl
Switch(config-if)# l2protocol-tunnel drop-threshold point-to-point pagp 1000
Switch(config-if)# exit
Switch(config)# interface gigabitethernet0/2
Switch(config-if)# switchport access vlan 20
Switch(config-if)# switchport mode dot1q-tunnel
Switch(config-if)# l2protocol-tunnel point-to-point pagp
Switch(config-if)# l2protocol-tunnel point-to-point uddl
Switch(config-if)# l2protocol-tunnel drop-threshold point-to-point pagp 1000
Switch(config-if)# exit
Switch(config)# interface fastethernet0/3
Switch(config-if)# no shutdown
Switch(config-if)# switchport mode trunk
```

This example shows how to configure the customer switch at Site 1. Fast Ethernet interfaces 1, 2, 3, and 4 are set for 802.1Q trunking, UDLD is enabled, EtherChannel group 1 is enabled, and the port channel is shut down and then enabled to activate the EtherChannel configuration.

```
Switch(config)# interface fastethernet0/1
Switch(config-if)# no shutdown
Switch(config-if)# switchport mode trunk
Switch(config-if)# udld enable
Switch(config-if)# channel-group 1 mode desirable
Switch(config-if)# exit
Switch(config)# interface fastethernet0/2
Switch(config-if)# no shutdown
Switch(config-if)# switchport mode trunk
Switch(config-if)# udld enable
Switch(config-if)# channel-group 1 mode desirable
Switch(config-if)# exit
Switch(config)# interface fastethernet0/3
Switch(config-if)# no shutdown
Switch(config-if)# switchport mode trunk
Switch(config-if)# udld enable
Switch(config-if)# channel-group 1 mode desirable
Switch(config-if)# exit
Switch(config)# interface fastethernet0/4
Switch(config-if)# no shutdown
Switch(config-if)# switchport mode trunk
Switch(config-if)# udld enable
Switch(config-if)# channel-group 1 mode desirable
Switch(config-if)# exit
Switch(config)# interface port-channel 1
Switch(config-if)# shutdown
Switch(config-if)# no shutdown
Switch(config-if)# exit
```

## Monitoring and Maintaining Tunneling and Mapping Status

Table 14-2 shows the privileged EXEC commands for monitoring and maintaining 802.1Q and Layer 2 protocol tunneling and VLAN mapping.

Table 14-2 Commands for Monitoring and Maintaining Tunneling

Command	Purpose
<b>clear l2protocol-tunnel counters</b>	Clear the protocol counters on Layer 2 protocol tunneling ports.
<b>show dot1q-tunnel</b>	Display 802.1Q tunnel ports on the switch.
<b>show dot1q-tunnel interface <i>interface-id</i></b>	Verify if a specific interface is a tunnel port.
<b>show interfaces [interface <i>interface-id</i>] vlan mapping</b>	Display VLAN mapping information for all interfaces or for the specified interface.
<b>show l2protocol-tunnel</b>	Display information about Layer 2 protocol tunneling ports.
<b>show errdisable recovery</b>	Verify if the recovery timer from a Layer 2 protocol-tunnel error disable state is enabled.
<b>show l2protocol-tunnel interface <i>interface-id</i></b>	Display information about a specific Layer 2 protocol tunneling port.
<b>show l2protocol-tunnel summary</b>	Display only Layer 2 protocol summary information.
<b>show platform vlan mapping</b>	Display platform VLAN mapping information.
<b>show vlan dot1q tag native</b>	Display the status of native VLAN tagging on the switch.
<b>show vlan mapping [<i>interface-id</i>]</b>	Display VLAN mapping information for all interfaces or for the specified interface.
<b>show vlan mapping usage</b>	Display information about hardware resource usage on the switch devoted to VLAN mapping.

For detailed information about these displays, see the command reference for this release.



## Configuring STP

---

This chapter describes how to configure the Spanning Tree Protocol (STP) on port-based VLANs on the Cisco ME 3400E Ethernet Access switch. The switch can use the per-VLAN spanning-tree plus (PVST+) protocol based on the IEEE 802.1D standard and Cisco proprietary extensions, or the rapid per-VLAN spanning-tree plus (rapid-PVST+) protocol based on the IEEE 802.1w standard. On the Cisco ME switch, STP is enabled by default on network node interfaces (NNIs). It is disabled by default, but can be enabled, on enhanced network interfaces (ENIs). User network interfaces (UNIs) on the switch do not participate in STP. UNIs and ENIs on which STP is not enabled immediately forward traffic when they are brought up.

For information about the Multiple Spanning Tree Protocol (MSTP) and how to map multiple VLANs to the same spanning-tree instance, see [Chapter 16, “Configuring MSTP.”](#) For information about other spanning-tree features such as Port Fast, root guard, and so forth, see [Chapter 17, “Configuring Optional Spanning-Tree Features.”](#)

**Note**

For complete syntax and usage information for the commands used in this chapter, see the command reference for this release.

---

This chapter consists of these sections:

- [Understanding Spanning-Tree Features, page 15-1](#)
- [Configuring Spanning-Tree Features, page 15-11](#)
- [Displaying the Spanning-Tree Status, page 15-23](#)

## Understanding Spanning-Tree Features

- [STP Overview, page 15-2](#)
- [Spanning-Tree Topology and BPDUs, page 15-3](#)
- [Bridge ID, Switch Priority, and Extended System ID, page 15-4](#)
- [Spanning-Tree Interface States, page 15-4](#)
- [How a Switch or Port Becomes the Root Switch or Root Port, page 15-7](#)
- [Spanning Tree and Redundant Connectivity, page 15-8](#)
- [Spanning-Tree Address Management, page 15-9](#)
- [Accelerated Aging to Retain Connectivity, page 15-9](#)

- [Spanning-Tree Modes and Protocols](#), page 15-9
- [Supported Spanning-Tree Instances](#), page 15-10
- [Spanning-Tree Interoperability and Backward Compatibility](#), page 15-10
- [STP and IEEE 802.1Q Trunks](#), page 15-11

For configuration information, see the “[Configuring Spanning-Tree Features](#)” section on page 15-11.

For information about optional spanning-tree features, see [Chapter 17, “Configuring Optional Spanning-Tree Features.”](#)

## STP Overview

STP is a Layer 2 link management protocol that provides path redundancy while preventing loops in the network. For a Layer 2 Ethernet network to function properly, only one active path can exist between any two stations. Multiple active paths among end stations cause loops in the network. If a loop exists in the network, end stations might receive duplicate messages. Switches might also learn end-station MAC addresses on multiple Layer 2 interfaces. These conditions result in an unstable network.

Spanning-tree operation is transparent to end stations, which cannot detect whether they are connected to a single LAN segment or a switched LAN of multiple segments.

The STP uses a spanning-tree algorithm to select one switch of a redundantly connected network as the root of the spanning tree. The algorithm calculates the best loop-free path through a switched Layer 2 network by assigning a role to each port based on the role of the port in the active topology:

- **Root**—A forwarding port elected for the spanning-tree topology
- **Designated**—A forwarding port elected for every switched LAN segment
- **Alternate**—A blocked port providing an alternate path to the root bridge in the spanning tree
- **Backup**—A blocked port in a loopback configuration



### Note

On the Cisco ME 3400E switch, only NNIs and ENIs on which STP has been enabled participate in STP. Active UNIs and ENIs on which STP is not enabled are always in the forwarding state. In this overview, STP ports can be any interfaces on other switches, but only NNIs or STP-enabled ENIs on a Cisco ME switch.

The switch that has *all* of its ports as the designated role or the backup role is the root switch. The switch that has at least *one* of its ports in the designated role is called the designated switch.

Spanning tree forces redundant data paths into a standby (blocked) state. If a network segment in the spanning tree fails and a redundant path exists, the spanning-tree algorithm recalculates the spanning-tree topology and activates the standby path. Switches send and receive spanning-tree frames, called bridge protocol data units (BPDUs), at regular intervals. The switches do not forward these frames but use them to construct a loop-free path. BPDUs contain information about the sending switch and its ports, including switch and MAC addresses, switch priority, port priority, and path cost. Spanning tree uses this information to elect the root switch and root port for the switched network and the root port and designated port for each switched segment.

When two ports on a switch are part of a loop, the spanning-tree port priority and path cost settings control which port is put in the forwarding state and which is put in the blocking state. The spanning-tree port priority value represents the location of a port in the network topology and how well it is located to pass traffic. The path cost value represents the media speed.



**Note**

The switch sends keepalive messages (to ensure the connection is up) only on interfaces that do not have small form-factor pluggable (SFP) modules.

## Spanning-Tree Topology and BPDUs

The stable, active spanning-tree topology of a switched network is controlled by these elements:

- The unique bridge ID (switch priority and MAC address) associated with each VLAN on each switch.
- The spanning-tree path cost to the root switch.
- The port identifier (port priority and MAC address) associated with each Layer 2 STP-enabled interface.

When the switches in a network are powered up, each functions as the root switch. Each switch sends a configuration BPDU through all of its ports, or on the Cisco ME switch, only through the STP-enabled ports. The BPDUs communicate and compute the spanning-tree topology. Each configuration BPDU contains this information:

- The unique bridge ID of the switch that the sending switch identifies as the root switch
- The spanning-tree path cost to the root
- The bridge ID of the sending switch
- Message age
- The identifier of the sending interface
- Values for the hello, forward delay, and max-age protocol timers

When a switch receives a configuration BPDU that contains *superior* information (lower bridge ID, lower path cost, and so forth), it stores the information for that port. If this BPDU is received on the root port of the switch, the switch also forwards it with an updated message to all attached LANs for which it is the designated switch.

If a switch receives a configuration BPDU that contains *inferior* information to that currently stored for that port, it discards the BPDU. If the switch is a designated switch for the LAN from which the inferior BPDU was received, it sends that LAN a BPDU containing the up-to-date information stored for that port. In this way, inferior information is discarded, and superior information is propagated on the network.

A BPDU exchange results in these actions:

- One switch in the network is elected as the root switch (the logical center of the spanning-tree topology in a switched network).

For each VLAN, the switch with the highest switch priority (the lowest numerical priority value) is elected as the root switch. If all switches are configured with the default priority (32768), the switch with the lowest MAC address in the VLAN becomes the root switch. The switch priority value occupies the most significant bits of the bridge ID, as shown in [Table 15-1 on page 15-4](#).

- A root port is selected for each switch (except the root switch). This port provides the best path (lowest cost) when the switch forwards packets to the root switch.

- The shortest distance to the root switch is calculated for each switch based on the path cost.
- A designated switch for each LAN segment is selected. The designated switch incurs the lowest path cost when forwarding packets from that LAN to the root switch. The port through which the designated switch is attached to the LAN is called the designated port. For the Cisco ME switch, this only applies to NNIs or to ENIs on which STP has been specifically enabled.

All paths that are not needed to reach the root switch from anywhere in the switched network are placed in the spanning-tree blocking mode.

## Bridge ID, Switch Priority, and Extended System ID

The IEEE 802.1D standard requires that each switch has a unique bridge identifier (bridge ID), which controls the selection of the root switch. Because each VLAN is considered as a different *logical bridge* with PVST+ and rapid PVST+, the same switch must have as many different bridge IDs as VLANs configured on it. Each VLAN on the switch has a unique 8-byte bridge ID. The two most-significant bytes are used for the switch priority, and the remaining six bytes are derived from the switch MAC address.

The switch supports the IEEE 802.1t spanning-tree extensions, and some of the bits previously used for the switch priority are now used as the VLAN identifier. The result is that fewer MAC addresses are reserved for the switch, and a larger range of VLAN IDs can be supported, all while maintaining the uniqueness of the bridge ID. As shown in [Table 15-1](#), the two bytes previously used for the switch priority are reallocated into a 4-bit priority value and a 12-bit extended system ID value equal to the VLAN ID.

**Table 15-1** Switch Priority Value and Extended System ID

Switch Priority Value				Extended System ID (Set Equal to the VLAN ID)											
Bit 16	Bit 15	Bit 14	Bit 13	Bit 12	Bit 11	Bit 10	Bit 9	Bit 8	Bit 7	Bit 6	Bit 5	Bit 4	Bit 3	Bit 2	Bit 1
32768	16384	8192	4096	2048	1024	512	256	128	64	32	16	8	4	2	1

Spanning tree uses the extended system ID, the switch priority, and the allocated spanning-tree MAC address to make the bridge ID unique for each VLAN.

Support for the extended system ID affects how you manually configure the root switch, the secondary root switch, and the switch priority of a VLAN. For example, when you change the switch priority value, you change the probability that the switch will be elected as the root switch. Configuring a higher value decreases the probability; a lower value increases the probability. For more information, see the [“Configuring the Root Switch”](#) section on page 15-15, the [“Configuring a Secondary Root Switch”](#) section on page 15-17, and the [“Configuring the Switch Priority of a VLAN”](#) section on page 15-20.

## Spanning-Tree Interface States

Propagation delays can occur when protocol information passes through a switched LAN. As a result, topology changes can take place at different times and at different places in a switched network. When an STP port transitions directly from nonparticipation in the spanning-tree topology to the forwarding state, it can create temporary data loops. Interfaces must wait for new topology information to propagate through the switched LAN before starting to forward frames. They must allow the frame lifetime to expire for forwarded frames that have used the old topology.

Each Layer 2 interface on a switch using spanning tree exists in one of these states:

- Blocking—The interface does not participate in frame forwarding.
- Listening—The first transitional state after the blocking state when the spanning tree determines that the interface should participate in frame forwarding.
- Learning—The interface prepares to participate in frame forwarding.
- Forwarding—The interface forwards frames.
- Disabled—The interface is not participating in spanning tree because of a shutdown port, no link on the port, or no spanning-tree instance running on the port.



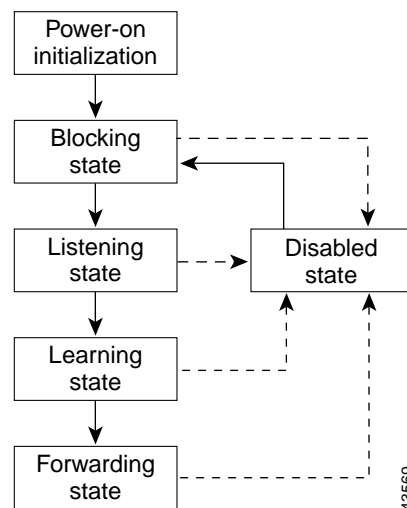
**Note** On a Cisco ME switch, UNIs are always in the forwarding state. ENIs in the default STP mode (disabled) are also in forwarding state, but you can enable STP on an ENI.

A port participating in spanning tree moves through these states:

- From initialization to blocking
- From blocking to listening or to disabled
- From listening to learning or to disabled
- From learning to forwarding or to disabled
- From forwarding to disabled

Figure 15-1 illustrates how an interface moves through the states.

**Figure 15-1** *Spanning-Tree Interface States*



When you power up the switch, spanning tree is enabled by default, and every NNI in the Cisco ME switch (and every ENI on which STP has been enabled), as well as any other port in other switches in the VLAN or network that are participating in spanning tree, goes through the blocking state and the transitory states of listening and learning. Spanning tree stabilizes each interface at the forwarding or blocking state.

**Note**

UNIs are shut down by default, and when they are brought up, they immediately start forwarding traffic. ENIs act the same as UNIs unless you have specifically enabled STP on the port.

When the spanning-tree algorithm places a Layer 2 spanning-tree interface in the forwarding state, this process occurs:

1. The interface is in the listening state while spanning tree waits for protocol information to transition the interface to the blocking state.
2. While spanning tree waits the forward-delay timer to expire, it moves the interface to the learning state and resets the forward-delay timer.
3. In the learning state, the interface continues to block frame forwarding as the switch learns end-station location information for the forwarding database.
4. When the forward-delay timer expires, spanning tree moves the interface to the forwarding state, where both learning and frame forwarding are enabled.

## Blocking State

A Layer 2 interface in the blocking state does not participate in frame forwarding. After initialization, a BPDU is sent to each switch interface, or to each switch STP port. A switch initially functions as the root until it exchanges BPDUs with other switches. This exchange establishes which switch in the network is the root or root switch. If there is only one switch in the network, no exchange occurs, the forward-delay timer expires, and the interface moves to the listening state. An interface participating in spanning tree always enters the blocking state after switch initialization.

An interface in the blocking state performs these functions:

- Discards frames received on the interface
- Discards frames switched from another interface for forwarding
- Does not learn addresses
- Receives BPDUs

## Listening State

The listening state is the first state a Layer 2 interface enters after the blocking state. The interface enters this state when the spanning tree decides that the interface should participate in frame forwarding.

An interface in the listening state performs these functions:

- Discards frames received on the interface
- Discards frames switched from another interface for forwarding
- Does not learn addresses
- Receives BPDUs

## Learning State

A Layer 2 interface in the learning state prepares to participate in frame forwarding. The interface enters the learning state from the listening state.

An interface in the learning state performs these functions:

- Discards frames received on the interface
- Discards frames switched from another interface for forwarding
- Learns addresses
- Receives BPDUs

## Forwarding State

A Layer 2 interface in the forwarding state forwards frames. The interface enters the forwarding state from the learning state.

An interface in the forwarding state performs these functions:

- Receives and forwards frames received on the interface
- Forwards frames switched from another interface
- Learns addresses
- Receives BPDUs

## Disabled State

A Layer 2 interface in the disabled state does not participate in frame forwarding or in the spanning tree. An interface in the disabled state is nonoperational.

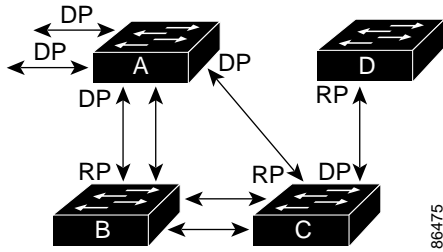
A disabled interface performs these functions:

- Discards frames received on the interface
- Discards frames switched from another interface for forwarding
- Does not learn addresses
- Does not receive BPDUs

## How a Switch or Port Becomes the Root Switch or Root Port

If all switches in a network are enabled with default spanning-tree settings, the switch with the lowest MAC address becomes the root switch. In [Figure 15-2](#), Switch A is elected as the root switch because the switch priority of all the switches is set to the default (32768) and Switch A has the lowest MAC address. However, because of traffic patterns, number of forwarding interfaces, or link types, Switch A might not be the ideal root switch. By increasing the priority (lowering the numerical value) of the ideal switch so that it becomes the root switch, you force a spanning-tree recalculation to form a new topology with the ideal switch as the root.

Figure 15-2 Spanning-Tree Topology



RP = Root Port  
 DP = Designated Port

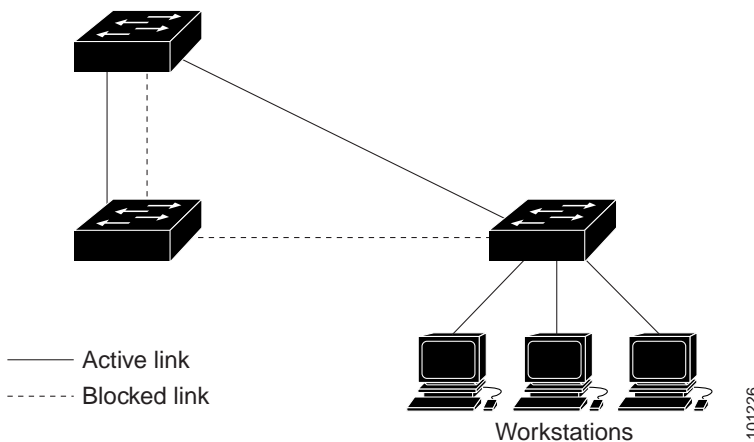
When the spanning-tree topology is calculated based on default parameters, the path between source and destination end stations in a switched network might not be ideal. For instance, connecting higher-speed links to an interface that has a higher number than the root port can cause a root-port change. The goal is to make the fastest link the root port.

For example, assume that one port on Switch B is a Gigabit Ethernet link and that another port on Switch B (a 10/100 link) is the root port. Network traffic might be more efficient over the Gigabit Ethernet link. By changing the spanning-tree port priority on the Gigabit Ethernet port to a higher priority (lower numerical value) than the root port, the Gigabit Ethernet port becomes the new root port.

## Spanning Tree and Redundant Connectivity

You can create a redundant backbone with spanning tree by connecting two switch interfaces that are participating in spanning tree to another device or to two different devices, as shown in Figure 15-3. Spanning tree automatically disables one interface but enables it if the other one fails. If one link is high-speed and the other is low-speed, the low-speed link is always disabled. If the speeds are the same, the port priority and port ID are added together, and spanning tree disables the link with the lowest value.

Figure 15-3 Spanning Tree and Redundant Connectivity



You can also create redundant links between switches by using EtherChannel groups. For more information, see Chapter 35, “Configuring EtherChannels and Link-State Tracking.”

## Spanning-Tree Address Management

IEEE 802.1D specifies 17 multicast addresses, ranging from 0x00180C2000000 to 0x0180C2000010, to be used by different bridge protocols. These addresses are static addresses that cannot be removed.

Regardless of the spanning-tree state, each switch receives but does not forward packets destined for addresses between 0x0180C2000000 and 0x0180C200000F.

If spanning tree is enabled, the CPU on the switch receives packets destined for 0x0180C2000000 and 0x0180C2000010. If spanning tree is disabled, the switch forwards those packets as unknown multicast addresses.

## Accelerated Aging to Retain Connectivity

The default for aging dynamic addresses is 5 minutes, the default setting of the **mac address-table aging-time** global configuration command. However, a spanning-tree reconfiguration can cause many station locations to change. Because these stations could be unreachable for 5 minutes or more during a reconfiguration, the address-aging time is accelerated so that station addresses can be dropped from the address table and then relearned. The accelerated aging is the same as the forward-delay parameter value (**spanning-tree vlan *vlan-id* forward-time *seconds*** global configuration command) when the spanning tree reconfigures.

Because each VLAN is a separate spanning-tree instance, the switch accelerates aging on a per-VLAN basis. A spanning-tree reconfiguration on one VLAN can cause the dynamic addresses learned on that VLAN to be subject to accelerated aging. Dynamic addresses on other VLANs can be unaffected and remain subject to the aging interval entered for the switch.

## Spanning-Tree Modes and Protocols

The switch NNIs and ENIs with STP enabled support these spanning-tree modes and protocols:

- **PVST+**—This spanning-tree mode is based on the IEEE 802.1D standard and Cisco proprietary extensions. It is the default spanning-tree mode used on most Ethernet port-based VLANs. The PVST+ runs on each VLAN on the switch up to the maximum supported, ensuring that each has a loop-free path through the network.

The PVST+ provides Layer 2 load balancing for the VLAN on which it runs. You can create different logical topologies by using the VLANs on your network to ensure that all of your links are used but that no one link is oversubscribed. Each instance of PVST+ on a VLAN has a single root switch. This root switch propagates the spanning-tree information associated with that VLAN to all other switches in the network. Because each switch has the same information about the network, this process ensures that the network topology is maintained.

- **Rapid PVST+**—This spanning-tree mode is the same as PVST+ except that it uses a rapid convergence based on the IEEE 802.1w standard. This is the default spanning-tree mode for the Cisco ME switch NNIs. Rapid PVST+ is compatible with PVST+. To provide rapid convergence, the rapid PVST+ immediately deletes dynamically learned MAC address entries on a per-port basis upon receiving a topology change. By contrast, PVST+ uses a short aging time for dynamically learned MAC address entries.

The rapid PVST+ uses the same configuration as PVST+ (except where noted), and the switch needs only minimal extra configuration. The benefit of rapid PVST+ is that you can migrate a large PVST+ install base to rapid PVST+ without having to learn the complexities of the MSTP configuration and without having to reposition your network. In rapid-PVST+ mode, each VLAN runs its own spanning-tree instance up to the maximum supported.

- **MSTP**—This spanning-tree mode is based on the IEEE 802.1s standard. You can map multiple VLANs to the same spanning-tree instance, which reduces the number of spanning-tree instances required to support a large number of VLANs. The MSTP runs on top of the RSTP (based on IEEE 802.1w), which provides for rapid convergence of the spanning tree by eliminating the forward delay and by quickly transitioning root ports and designated ports to the forwarding state. You cannot run MSTP without RSTP.

The most common initial deployment of MSTP is in the backbone and distribution layers of a Layer 2 switched network. For more information, see [Chapter 16, “Configuring MSTP.”](#)

For information about the number of supported spanning-tree instances, see the next section.

## Supported Spanning-Tree Instances

In PVST+ or rapid-PVST+ mode, the switch supports up to 128 spanning-tree instances.

In MSTP mode, the switch supports up to 65 MST instances. The number of VLANs that can be mapped to a particular MST instance is unlimited.

## Spanning-Tree Interoperability and Backward Compatibility

[Table 15-2](#) lists the interoperability and compatibility among the supported spanning-tree modes in a network.

**Table 15-2** *PVST+, MSTP, and Rapid-PVST+ Interoperability*

	PVST+	MSTP	Rapid PVST+
PVST+	Yes	Yes (with restrictions)	Yes (reverts to PVST+)
MSTP	Yes (with restrictions)	Yes	Yes (reverts to PVST+)
Rapid PVST+	Yes (reverts to PVST+)	Yes (reverts to PVST+)	Yes

In a mixed MSTP and PVST+ network, the common spanning-tree (CST) root must be inside the MST backbone, and a PVST+ switch cannot connect to multiple MST regions.

When a network contains switches running rapid PVST+ and switches running PVST+, we recommend that the rapid-PVST+ switches and PVST+ switches be configured for different spanning-tree instances. In the rapid-PVST+ spanning-tree instances, the root switch must be a rapid-PVST+ switch. In the PVST+ instances, the root switch must be a PVST+ switch. The PVST+ switches should be at the edge of the network.



## STP and IEEE 802.1Q Trunks

The IEEE 802.1Q standard for VLAN trunks imposes some limitations on the spanning-tree strategy for a network. The standard requires only one spanning-tree instance for *all* VLANs allowed on the trunks. However, in a network of Cisco switches connected through IEEE 802.1Q trunks, the switches maintain one spanning-tree instance for *each* VLAN allowed on the trunks.

When you connect a Cisco switch to a non-Cisco device through an IEEE 802.1Q trunk, the Cisco switch uses PVST+ to provide spanning-tree interoperability. If rapid PVST+ is enabled, the switch uses it instead of PVST+. The switch combines the spanning-tree instance of the IEEE 802.1Q VLAN of the trunk with the spanning-tree instance of the non-Cisco 802.1Q switch.

However, all PVST+ or rapid-PVST+ information is maintained by Cisco switches separated by a cloud of non-Cisco 802.1Q switches. The non-Cisco 802.1Q cloud separating the Cisco switches is treated as a single trunk link between the switches.

PVST+ is automatically enabled on IEEE 802.1Q trunks, and no user configuration is required. The external spanning-tree behavior on access ports is not affected by PVST+.

For more information on IEEE 802.1Q trunks, see [Chapter 12, “Configuring VLANs.”](#)

## Configuring Spanning-Tree Features

- [Default Spanning-Tree Configuration, page 15-11](#)
- [Spanning-Tree Configuration Guidelines, page 15-12](#)
- [Enabling Spanning Tree on an ENI, page 15-13](#) (required)
- [Disabling Spanning Tree, page 15-15](#) (optional)
- [Configuring the Root Switch, page 15-15](#) (optional)
- [Configuring a Secondary Root Switch, page 15-17](#) (optional)
- [Configuring Port Priority, page 15-17](#) (optional)
- [Configuring Path Cost, page 15-19](#) (optional)
- [Configuring the Switch Priority of a VLAN, page 15-20](#) (optional)
- [Configuring Spanning-Tree Timers, page 15-21](#) (optional)

## Default Spanning-Tree Configuration

[Table 15-3](#) shows the default spanning-tree configuration.

Table 15-3 Default Spanning-Tree Configuration

Feature	Default Setting
Enable state	Enabled on NNIs in VLAN 1. Disabled on ENIs. (Not supported on UNIs) For more information, see the “Supported Spanning-Tree Instances” section on page 15-10.
Spanning-tree mode	Rapid PVST+ Rapid PVST+ interoperates with PVST and PVST+. MSTP is disabled.
Switch priority	32768.
Spanning-tree port priority (configurable on a per-interface basis)	128.
Spanning-tree port cost (configurable on a per-interface basis)	1000 Mbps: 4. 100 Mbps: 19. 10 Mbps: 100.
Spanning-tree VLAN port priority (configurable on a per-VLAN basis)	128.
Spanning-tree VLAN port cost (configurable on a per-VLAN basis)	1000 Mbps: 4. 100 Mbps: 19. 10 Mbps: 100.
Spanning-tree timers	Hello time: 2 seconds. Forward-delay time: 15 seconds. Maximum-aging time: 20 seconds.

## Spanning-Tree Configuration Guidelines

If more VLANs are defined than there are spanning-tree instances, you can enable PVST+ or rapid PVST+ on STP ports in only 128 VLANs on the switch. The remaining VLANs operate with spanning tree disabled. However, you can map multiple VLANs to the same spanning-tree instances by using MSTP. For more information, see [Chapter 16, “Configuring MSTP.”](#)

If 128 instances of spanning tree are already in use, you can disable spanning tree on STP ports in one of the VLANs and then enable it on the VLAN where you want it to run. Use the **no spanning-tree vlan *vlan-id*** global configuration command to disable spanning tree on a specific VLAN, and use the **spanning-tree vlan *vlan-id*** global configuration command to enable spanning tree on the desired VLAN.



### Caution

Switches that are not running spanning tree still forward BPDUs that they receive so that the other switches on the VLAN that have a running spanning-tree instance can break loops. Therefore, spanning tree must be running on enough switches to break all the loops in the network; for example, at least one switch on each loop in the VLAN must be running spanning tree. It is not absolutely necessary to run spanning tree on all switches in the VLAN. However, if you are running spanning tree only on a minimal set of switches, an incautious change to the network that introduces another loop into the VLAN can result in a broadcast storm.

If you have already used all available spanning-tree instances on your switch, adding another VLAN creates a VLAN that is not running spanning tree on that switch. If you have the default allowed list on the trunk ports of that switch, the new VLAN is carried on all trunk ports. Depending on the topology of the network, this could create a loop in the new VLAN that will not be broken, particularly if there are several adjacent switches that have all run out of spanning-tree instances. You can prevent this possibility by setting up allowed lists on the trunk ports of switches that have used up their allocation of spanning-tree instances. Setting up allowed lists is not necessary in many cases and can make it more labor-intensive to add another VLAN to the network.

Spanning-tree commands control the configuration of VLAN spanning-tree instances. You create a spanning-tree instance when you assign an STP port (an NNI or ENI with STP enabled) to a VLAN. The spanning-tree instance is removed when the last port is moved to another VLAN. You can configure switch and port parameters before a spanning-tree instance is created; these parameters are applied when the spanning-tree instance is created.

The switch supports PVST+, rapid PVST+, and MSTP, but only one version can be active at any time. (For example, all VLANs run PVST+, all VLANs run rapid PVST+, or all VLANs run MSTP.) For information about the different spanning-tree modes and how they interoperate, see the “[Spanning-Tree Interoperability and Backward Compatibility](#)” section on page 15-10.



#### Caution

Loop guard works only on point-to-point links. We recommend that each end of the link has a directly connected device that is running STP.

On the ME-3400E switch, when 1-to-1 VLAN mapping is enabled on an NNI or on an ENI on which STP is enabled, the STP instance applies to the service provider VLAN (S-VLAN) within the switch.

## Enabling Spanning Tree on an ENI

By default, spanning tree is enabled on all NNIs on the switch and disabled on ENIs. Beginning in privileged EXEC mode, follow these steps to enable spanning tree on an ENI:

	Command	Purpose
Step 1	<b>configure terminal</b>	Enter global configuration mode.
Step 2	<b>interface</b> <i>interface-id</i>	Specify a UNI or ENI interface to configure, and enter interface configuration mode.
Step 3	<b>no shutdown</b>	Enable the port, if necessary. By default, UNIs and ENIs are disabled.
Step 4	<b>port-type eni</b>	Configure the port as an ENI (if not already configured).
Step 5	<b>spanning-tree</b>	Enable spanning tree on the interface. The interface will belong to the switch spanning tree instance along with NNIs in the VLAN. <b>Note</b> This command is visible only on ENIs.
Step 6	<b>end</b>	Return to privileged EXEC mode.
Step 7	<b>show spanning-tree interface</b> <i>interface-id</i>	Verify your entries.
Step 8	<b>copy running-config startup-config</b>	(Optional) Save your entries in the configuration file.

To disable spanning tree on an ENI, enter the **no spanning-tree** interface command.

## Changing the Spanning-Tree Mode.

The switch supports three spanning-tree modes: PVST+, rapid PVST+, or MSTP. By default, the switch runs the rapid PVST+ protocol on all NNIs and ENIs on which spanning tree is enabled.

Beginning in privileged EXEC mode, follow these steps to change the spanning-tree mode. If you want to enable a mode that is different from the default mode, this procedure is required.

	Command	Purpose
Step 1	<b>configure terminal</b>	Enter global configuration mode.
Step 2	<b>spanning-tree mode {pvst   mst   rapid-pvst}</b>	Configure a spanning-tree mode on STP ports on the switch. <ul style="list-style-type: none"> <li>• Select <b>pvst</b> to enable PVST+.</li> <li>• Select <b>mst</b> to enable MSTP (and RSTP). For more configuration steps, see <a href="#">Chapter 16, “Configuring MSTP.”</a></li> <li>• Select <b>rapid-pvst</b> to enable rapid PVST+ (the default setting).</li> </ul>
Step 3	<b>interface interface-id</b>	(Recommended only for rapid-PVST+ mode) Specify an STP port to configure, and enter interface configuration mode. Valid interfaces include physical NNIs or ENIs with spanning tree enabled, VLANs, and NNI or ENI port channels. The VLAN ID range is 1 to 4094. The port-channel range is 1 to 48. <p><b>Note</b> If a physical interface is a UNI, before attempting to configure it as a spanning-tree link, you must enter the <b>port-type nni</b> interface configuration command or configure the port as an ENI and enable spanning tree on the port. See <a href="#">“Enabling Spanning Tree on an ENI”</a> section on page 15-13.</p> <p>If the interface is a VLAN, only ports with spanning tree enabled in the VLAN will run spanning tree.</p> <p>If the interface is a port channel, all members of the port channel must be NNIs or ENIs with spanning tree enabled.</p>
Step 4	<b>spanning-tree link-type point-to-point</b>	(Recommended only for rapid-PVST+ mode) Specify that the link type for this port is point-to-point. <p>If you connect this port to a remote port through a point-to-point link and the local port becomes a designated port, the switch negotiates with the remote port and rapidly changes the local port to the forwarding state.</p>
Step 5	<b>end</b>	Return to privileged EXEC mode.
Step 6	<b>clear spanning-tree detected-protocols</b>	(Recommended only for rapid-PVST+ mode) If any port on the switch running spanning tree is connected to a port on a legacy IEEE 802.1D switch, restart the protocol migration process on the entire switch. <p>This step is optional if the designated switch detects that this switch is running rapid PVST+.</p>
Step 7	<b>show spanning-tree summary</b> and <b>show spanning-tree interface interface-id</b>	Verify your entries.
Step 8	<b>copy running-config startup-config</b>	(Optional) Save your entries in the configuration file.

To return to the default setting, use the **no spanning-tree mode** global configuration command. To return the port to its default spanning-tree mode setting, use the **no spanning-tree link-type** interface configuration command.

## Disabling Spanning Tree

Spanning tree is enabled by default on all NNIs in VLAN 1 and in all newly created VLANs up to the spanning-tree limit specified in the [“Supported Spanning-Tree Instances”](#) section on page 15-10. Spanning tree is disabled on ENIs on the switch but can be enabled on a per-interface basis. Disable spanning tree only if you are sure there are no loops in the network topology.



### Caution

When spanning tree is disabled and loops are present in the topology, excessive traffic and indefinite packet duplication can drastically reduce network performance.

Beginning in privileged EXEC mode, follow these steps to disable spanning-tree on a per-VLAN basis. This procedure is optional.

	Command	Purpose
Step 1	<b>configure terminal</b>	Enter global configuration mode.
Step 2	<b>no spanning-tree vlan</b> <i>vlan-id</i>	For <i>vlan-id</i> , the range is 1 to 4094.
Step 3	<b>end</b>	Return to privileged EXEC mode.
Step 4	<b>show spanning-tree vlan</b> <i>vlan-id</i>	Verify your entries.
Step 5	<b>copy running-config startup-config</b>	(Optional) Save your entries in the configuration file.

To re-enable spanning-tree, use the **spanning-tree vlan** *vlan-id* global configuration command.

## Configuring the Root Switch

The switch maintains a separate spanning-tree instance for each active VLAN configured on it. A bridge ID, consisting of the switch priority and the switch MAC address, is associated with each instance. For each VLAN, the switch with the lowest bridge ID becomes the root switch for that VLAN.

To configure a switch to become the root for the specified VLAN, use the **spanning-tree vlan** *vlan-id* **root** global configuration command to modify the switch priority from the default value (32768) to a significantly lower value. When you enter this command, the software checks the switch priority of the root switches for each VLAN. Because of the extended system ID support, the switch sets its own priority for the specified VLAN to 24576 if this value will cause this switch to become the root for the specified VLAN.

If any root switch for the specified VLAN has a switch priority lower than 24576, the switch sets its own priority for the specified VLAN to 4096 less than the lowest switch priority. (4096 is the value of the least-significant bit of a 4-bit switch priority value as shown in [Table 15-1](#) on page 15-4.)



### Note

The **spanning-tree vlan** *vlan-id* **root** global configuration command fails if the value necessary to be the root switch is less than 1.

If your network consists of switches that both do and do not support the extended system ID, it is unlikely that the switch with the extended system ID support will become the root switch. The extended system ID increases the switch priority value every time the VLAN number is greater than the priority of the connected switches running older software.

**Note**

The root switch for each spanning-tree instance should be a backbone or distribution switch. Do not configure an access switch as the spanning-tree primary root.

Use the **diameter** keyword to specify the Layer 2 network diameter (that is, the maximum number of switch hops between any two end stations in the Layer 2 network). When you specify the network diameter, the switch automatically sets an optimal hello time, forward-delay time, and maximum-age time for a network of that diameter, which can significantly reduce the convergence time. You can use the **hello** keyword to override the automatically calculated hello time.

**Note**

After configuring the switch as the root switch, we recommend that you avoid manually configuring the hello time, forward-delay time, and maximum-age time through the **spanning-tree vlan *vlan-id* hello-time**, **spanning-tree vlan *vlan-id* forward-time**, and the **spanning-tree vlan *vlan-id* max-age** global configuration commands.

Beginning in privileged EXEC mode, follow these steps to configure a switch to become the root for the specified VLAN. This procedure is optional.

	Command	Purpose
Step 1	<b>configure terminal</b>	Enter global configuration mode.
Step 2	<b>spanning-tree vlan <i>vlan-id</i> root primary</b> [ <b>diameter <i>net-diameter</i> [hello-time <i>seconds</i>]</b> ]	Configure a switch to become the root for the specified VLAN. <ul style="list-style-type: none"> <li>For <i>vlan-id</i>, you can specify a single VLAN identified by VLAN ID number, a range of VLANs separated by a hyphen, or a series of VLANs separated by a comma. The range is 1 to 4094.</li> <li>(Optional) For <b>diameter <i>net-diameter</i></b>, specify the maximum number of switches between any two end stations. The range is 2 to 7.</li> <li>(Optional) For <b>hello-time <i>seconds</i></b>, specify the interval in seconds between the generation of configuration messages by the root switch. The range is 1 to 10; the default is 2.</li> </ul>
Step 3	<b>end</b>	Return to privileged EXEC mode.
Step 4	<b>show spanning-tree detail</b>	Verify your entries.
Step 5	<b>copy running-config startup-config</b>	(Optional) Save your entries in the configuration file.

To return to the default setting, use the **no spanning-tree vlan *vlan-id* root** global configuration command.

## Configuring a Secondary Root Switch

When you configure a switch as the secondary root, the switch priority is modified from the default value (32768) to 28672. The switch is then likely to become the root switch for the specified VLAN if the primary root switch fails. This is assuming that the other network switches use the default switch priority of 32768 and therefore are unlikely to become the root switch.

You can execute this command on more than one switch to configure multiple backup root switches. Use the same network diameter and hello-time values that you used when you configured the primary root switch with the **spanning-tree vlan *vlan-id* root primary** global configuration command.

Beginning in privileged EXEC mode, follow these steps to configure a switch to become the secondary root for the specified VLAN. This procedure is optional.

	Command	Purpose
Step 1	<b>configure terminal</b>	Enter global configuration mode.
Step 2	<b>spanning-tree vlan <i>vlan-id</i> root secondary</b> <b>[diameter <i>net-diameter</i> [hello-time</b> <b><i>seconds</i>]]</b>	Configure a switch to become the secondary root for the specified VLAN. <ul style="list-style-type: none"> <li>For <i>vlan-id</i>, you can specify a single VLAN identified by VLAN ID number, a range of VLANs separated by a hyphen, or a series of VLANs separated by a comma. The range is 1 to 4094.</li> <li>(Optional) For <b>diameter <i>net-diameter</i></b>, specify the maximum number of switches between any two end stations. The range is 2 to 7.</li> <li>(Optional) For <b>hello-time <i>seconds</i></b>, specify the interval in seconds between the generation of configuration messages by the root switch. The range is 1 to 10; the default is 2.</li> </ul> Use the same network diameter and hello-time values that you used when configuring the primary root switch. See the <a href="#">“Configuring the Root Switch”</a> section on page 15-15.
Step 3	<b>end</b>	Return to privileged EXEC mode.
Step 4	<b>show spanning-tree detail</b>	Verify your entries.
Step 5	<b>copy running-config startup-config</b>	(Optional) Save your entries in the configuration file.

To return to the default setting, use the **no spanning-tree vlan *vlan-id* root** global configuration command.

## Configuring Port Priority

If a loop occurs, spanning tree uses the port priority when selecting a spanning-tree port to put into the forwarding state. You can assign higher priority values (lower numerical values) to ports that you want selected first and lower priority values (higher numerical values) to ones that you want selected last. If all spanning-tree ports have the same priority value, spanning tree puts the port with the lowest interface number in the forwarding state and blocks the other interfaces.

Beginning in privileged EXEC mode, follow these steps to configure the port priority of a spanning-tree port. This procedure is optional.

	Command	Purpose
Step 1	<b>configure terminal</b>	Enter global configuration mode.
Step 2	<b>interface</b> <i>interface-id</i>	Specify an interface to configure, and enter interface configuration mode.  <b>Note</b> If a physical interface is a UNI, before attempting to configure it as a spanning-tree link, you must enter the <b>port-type nni</b> interface configuration command or configure the port as an ENI and enable spanning tree on the port. See <a href="#">“Enabling Spanning Tree on an ENI”</a> section on page 15-13. If the interface is a VLAN, only ports with spanning tree enabled in the VLAN will run spanning tree. If the interface is a port channel, all members of the port channel must be NNIs or ENIs with spanning tree enabled.
Step 3	<b>spanning-tree port-priority</b> <i>priority</i>	Configure the port priority for the spanning-tree port.  For <i>priority</i> , the range is 0 to 240, in increments of 16; the default is 128. Valid values are 0, 16, 32, 48, 64, 80, 96, 112, 128, 144, 160, 176, 192, 208, 224, and 240. All other values are rejected. The lower the number, the higher the priority.
Step 4	<b>spanning-tree vlan</b> <i>vlan-id</i> <b>port-priority</b> <i>priority</i>	Configure the port priority for a VLAN.  <ul style="list-style-type: none"> <li>For <i>vlan-id</i>, you can specify a single VLAN identified by VLAN ID number, a range of VLANs separated by a hyphen, or a series of VLANs separated by a comma. The range is 1 to 4094.</li> <li>For <i>priority</i>, the range is 0 to 240, in increments of 16; the default is 128. Valid values are 0, 16, 32, 48, 64, 80, 96, 112, 128, 144, 160, 176, 192, 208, 224, and 240. All other values are rejected. The lower the number, the higher the priority.</li> </ul>
Step 5	<b>end</b>	Return to privileged EXEC mode.
Step 6	<b>show spanning-tree interface</b> <i>interface-id</i> or <b>show spanning-tree vlan</b> <i>vlan-id</i>	Verify your entries.
Step 7	<b>copy running-config startup-config</b>	(Optional) Save your entries in the configuration file.



**Note** The **show spanning-tree interface** *interface-id* privileged EXEC command displays information only if the port is in a link-up operative state. Otherwise, you can use the **show running-config interface** privileged EXEC command to confirm the configuration.



To return to the default spanning-tree setting, use the **no spanning-tree [vlan *vlan-id*] port-priority** interface configuration command. For information on how to configure load sharing on trunk ports by using spanning-tree port priorities, see the “[Configuring Trunk Ports for Load Sharing](#)” section on [page 12-19](#).

## Configuring Path Cost

The spanning-tree path cost default value is derived from the media speed of an interface (port running spanning tree or port channel of multiple ports running spanning tree). If a loop occurs, spanning tree uses cost when selecting an interface to put in the forwarding state. You can assign lower cost values to interfaces that you want selected first and higher cost values that you want selected last. If all NNIs (or port channels) have the same cost value, spanning tree puts the interface with the lowest interface number in the forwarding state and blocks the other interfaces.

Beginning in privileged EXEC mode, follow these steps to configure the cost of an interface. This procedure is optional.

	Command	Purpose
Step 1	<b>configure terminal</b>	Enter global configuration mode.
Step 2	<b>interface <i>interface-id</i></b>	Specify an interface to configure, and enter interface configuration mode. Valid interfaces include physical NNIs or ENIs with STP enabled and port-channel logical interfaces ( <b>port-channel <i>port-channel-number</i></b> ) that contain only NNIs or STP-enabled ENIs.
Step 3	<b>spanning-tree cost <i>cost</i></b>	Configure the cost for an interface.  If a loop occurs, spanning tree uses the path cost when selecting an interface to place into the forwarding state. A lower path cost represents higher-speed transmission.  For <i>cost</i> , the range is 1 to 200000000; the default value is derived from the media speed of the interface.
Step 4	<b>spanning-tree vlan <i>vlan-id</i> cost <i>cost</i></b>	Configure the cost for a VLAN.  If a loop occurs, spanning tree uses the path cost when selecting a spanning-tree port to place into the forwarding state. A lower path cost represents higher-speed transmission. <ul style="list-style-type: none"> <li>For <i>vlan-id</i>, you can specify a single VLAN identified by VLAN ID number, a range of VLANs separated by a hyphen, or a series of VLANs separated by a comma. The range is 1 to 4094.</li> <li>For <i>cost</i>, the range is 1 to 200000000; the default value is derived from the media speed of the interface.</li> </ul>
Step 5	<b>end</b>	Return to privileged EXEC mode.
Step 6	<b>show spanning-tree interface <i>interface-id</i></b> or <b>show spanning-tree vlan <i>vlan-id</i></b>	Verify your entries.
Step 7	<b>copy running-config startup-config</b>	(Optional) Save your entries in the configuration file.

**Note**

The **show spanning-tree interface *interface-id*** privileged EXEC command displays information only for ports that are in a link-up operative state. Otherwise, you can use the **show running-config** privileged EXEC command to confirm the configuration.

To return to the default setting, use the **no spanning-tree [vlan *vlan-id*] cost** interface configuration command. For information on how to configure load sharing on trunk ports by using spanning-tree path costs, see the “[Configuring Trunk Ports for Load Sharing](#)” section on page 12-19.

## Configuring the Switch Priority of a VLAN

You can configure the switch priority and make it more likely that the switch will be chosen as the root switch.

**Note**

Exercise care when using this command. For most situations, we recommend that you use the **spanning-tree vlan *vlan-id* root primary** and the **spanning-tree vlan *vlan-id* root secondary** global configuration commands to modify the switch priority.

Beginning in privileged EXEC mode, follow these steps to configure the switch priority of a VLAN. This procedure is optional.

	Command	Purpose
Step 1	<b>configure terminal</b>	Enter global configuration mode.
Step 2	<b>spanning-tree vlan <i>vlan-id</i> priority <i>priority</i></b>	Configure the switch priority of a VLAN. <ul style="list-style-type: none"> <li>For <i>vlan-id</i>, you can specify a single VLAN identified by VLAN ID number, a range of VLANs separated by a hyphen, or a series of VLANs separated by a comma. The range is 1 to 4094.</li> <li>For <i>priority</i>, the range is 0 to 61440 in increments of 4096; the default is 32768. The lower the number, the more likely the switch will be chosen as the root switch. Valid priority values are 4096, 8192, 12288, 16384, 20480, 24576, 28672, 32768, 36864, 40960, 45056, 49152, 53248, 57344, and 61440. All other values are rejected.</li> </ul>
Step 3	<b>end</b>	Return to privileged EXEC mode.
Step 4	<b>show spanning-tree vlan <i>vlan-id</i></b>	Verify your entries.
Step 5	<b>copy running-config startup-config</b>	(Optional) Save your entries in the configuration file.

To return to the default setting, use the **no spanning-tree vlan *vlan-id* priority** global configuration command.

## Configuring Spanning-Tree Timers

Table 15-4 describes the timers that affect the entire spanning-tree performance.

Table 15-4 Spanning-Tree Timers

Variable	Description
Hello timer	Controls how often the switch broadcasts hello messages to other switches.
Forward-delay timer	Controls how long each of the listening and learning states last before the STP port begins forwarding.
Maximum-age timer	Controls the amount of time the switch stores protocol information received on an STP port.

The sections that follow provide the configuration steps.

### Configuring the Hello Time

You can configure the interval between the generation of configuration messages by the root switch by changing the hello time.



**Note**

Exercise care when using this command. For most situations, we recommend that you use the **spanning-tree vlan *vlan-id* root primary** and the **spanning-tree vlan *vlan-id* root secondary** global configuration commands to modify the hello time.

Beginning in privileged EXEC mode, follow these steps to configure the hello time of a VLAN. This procedure is optional.

	Command	Purpose
Step 1	<b>configure terminal</b>	Enter global configuration mode.
Step 2	<b>spanning-tree vlan <i>vlan-id</i> hello-time <i>seconds</i></b>	Configure the hello time of a VLAN. The hello time is the interval between the generation of configuration messages by the root switch. These messages mean that the switch is alive. <ul style="list-style-type: none"> <li>For <i>vlan-id</i>, you can specify a single VLAN identified by VLAN ID number, a range of VLANs separated by a hyphen, or a series of VLANs separated by a comma. The range is 1 to 4094.</li> <li>For <i>seconds</i>, the range is 1 to 10; the default is 2.</li> </ul>
Step 3	<b>end</b>	Return to privileged EXEC mode.
Step 4	<b>show spanning-tree vlan <i>vlan-id</i></b>	Verify your entries.
Step 5	<b>copy running-config startup-config</b>	(Optional) Save your entries in the configuration file.

To return to the default setting, use the **no spanning-tree vlan *vlan-id* hello-time** global configuration command.

## Configuring the Forwarding-Delay Time for a VLAN

Beginning in privileged EXEC mode, follow these steps to configure the forwarding-delay time for a VLAN. This procedure is optional.

	Command	Purpose
Step 1	<b>configure terminal</b>	Enter global configuration mode.
Step 2	<b>spanning-tree vlan <i>vlan-id</i> forward-time <i>seconds</i></b>	Configure the forward time of a VLAN. The forward delay is the number of seconds a spanning-tree port waits before changing from its spanning-tree learning and listening states to the forwarding state. <ul style="list-style-type: none"> <li>For <i>vlan-id</i>, you can specify a single VLAN identified by VLAN ID number, a range of VLANs separated by a hyphen, or a series of VLANs separated by a comma. The range is 1 to 4094.</li> <li>For <i>seconds</i>, the range is 4 to 30; the default is 15.</li> </ul>
Step 3	<b>end</b>	Return to privileged EXEC mode.
Step 4	<b>show spanning-tree vlan <i>vlan-id</i></b>	Verify your entries.
Step 5	<b>copy running-config startup-config</b>	(Optional) Save your entries in the configuration file.

To return to the default setting, use the **no spanning-tree vlan *vlan-id* forward-time** global configuration command.

## Configuring the Maximum-Aging Time for a VLAN

Beginning in privileged EXEC mode, follow these steps to configure the maximum-aging time for a VLAN. This procedure is optional.

	Command	Purpose
Step 1	<b>configure terminal</b>	Enter global configuration mode.
Step 2	<b>spanning-tree vlan <i>vlan-id</i> max-age <i>seconds</i></b>	Configure the maximum-aging time of a VLAN. The maximum-aging time is the number of seconds a switch waits without receiving spanning-tree configuration messages before attempting a reconfiguration. <ul style="list-style-type: none"> <li>For <i>vlan-id</i>, you can specify a single VLAN identified by VLAN ID number, a range of VLANs separated by a hyphen, or a series of VLANs separated by a comma. The range is 1 to 4094.</li> <li>For <i>seconds</i>, the range is 6 to 40; the default is 20.</li> </ul>
Step 3	<b>end</b>	Return to privileged EXEC mode.
Step 4	<b>show spanning-tree vlan <i>vlan-id</i></b>	Verify your entries.
Step 5	<b>copy running-config startup-config</b>	(Optional) Save your entries in the configuration file.

To return to the default setting, use the **no spanning-tree vlan *vlan-id* max-age** global configuration command.

# Displaying the Spanning-Tree Status

To display the spanning-tree status, use one or more of the privileged EXEC commands in [Table 15-5](#):

**Table 15-5** *Commands for Displaying Spanning-Tree Status*

Command	Purpose
<b>show spanning-tree active</b>	Displays spanning-tree information only on active spanning-tree interfaces.
<b>show spanning-tree detail</b>	Displays a detailed summary of interface information.
<b>show spanning-tree interface</b> <i>interface-id</i>	Displays spanning-tree information for the specified spanning-tree interface.
<b>show spanning-tree summary [totals]</b>	Displays a summary of interface states or displays the total lines of the STP state section.

You can clear spanning-tree counters by using the **clear spanning-tree [interface *interface-id*]** privileged EXEC command.

For information about other keywords for the **show spanning-tree** privileged EXEC command, see the command reference for this release.





# CHAPTER 16

## Configuring MSTP

---

This chapter describes how to configure the Cisco implementation of the IEEE 802.1s Multiple STP (MSTP) on the Cisco ME 3400E Ethernet Access switch. On the Cisco ME switch, user network interfaces (UNIs) on the switch do not participate in STP and immediately forward traffic when they are brought up. STP is enabled by default on network node interfaces (NNIs), and can be also be enabled on enhanced network interfaces (ENIs). If STP is not enabled on an ENI, the interface always forwards traffic.



### Note

---

The multiple spanning-tree (MST) implementation is a pre-standard implementation. It is based on the draft version of the IEEE standard.

---

The MSTP enables multiple VLANs to be mapped to the same spanning-tree instance, thereby reducing the number of spanning-tree instances needed to support a large number of VLANs. The MSTP provides for multiple forwarding paths for data traffic and enables load balancing. It improves the fault tolerance of the network because a failure in one instance (forwarding path) does not affect other instances (forwarding paths). The most common initial deployment of MSTP is in the backbone and distribution layers of a Layer 2 switched network. This deployment provides the highly available network required in a service-provider environment.

When the switch is in the MST mode, the Rapid Spanning Tree Protocol (RSTP), which is based on IEEE 802.1w, is automatically enabled. The RSTP provides rapid convergence of the spanning tree through explicit handshaking that eliminates the IEEE 802.1D forwarding delay and quickly transitions root ports and designated ports to the forwarding state.

Both MSTP and RSTP improve the spanning-tree operation and maintain backward compatibility with equipment that is based on the (original) 802.1D spanning tree, with existing Cisco-proprietary Multiple Instance STP (MISTP), and with existing Cisco per-VLAN spanning-tree plus (PVST+) and rapid per-VLAN spanning-tree plus (rapid PVST+). For information about PVST+ and rapid PVST+, see [Chapter 15, “Configuring STP.”](#) For information about other spanning-tree features such as Port Fast, UplinkFast, root guard, and so forth, see [Chapter 17, “Configuring Optional Spanning-Tree Features.”](#)



### Note

---

For complete syntax and usage information for the commands used in this chapter, see the command reference for this release.

---

- [Understanding MSTP, page 16-2](#)
- [Understanding RSTP, page 16-8](#)
- [Configuring MSTP Features, page 16-14](#)
- [Displaying the MST Configuration and Status, page 16-28](#)

# Understanding MSTP

MSTP, which uses RSTP for rapid convergence, enables VLANs to be grouped into a spanning-tree instance, with each instance having a spanning-tree topology independent of other spanning-tree instances. This architecture provides multiple forwarding paths for data traffic, enables load balancing, and reduces the number of spanning-tree instances required to support a large number of VLANs.

- [Multiple Spanning-Tree Regions, page 16-2](#)
- [IST, CIST, and CST, page 16-2](#)
- [Hop Count, page 16-5](#)
- [Boundary Ports, page 16-6](#)
- [IEEE 802.1s Implementation, page 16-6](#)
- [“Interoperability with IEEE 802.1D STP” section on page 16-8](#)

For configuration information, see the [“Configuring MSTP Features” section on page 16-14](#).

## Multiple Spanning-Tree Regions

For switches to participate in multiple spanning-tree (MST) instances, you must consistently configure the switches with the same MST configuration information. A collection of interconnected switches that have the same MST configuration comprises an MST region as shown in [Figure 16-1 on page 16-4](#).

The MST configuration controls to which MST region each switch belongs. The configuration includes the name of the region, the revision number, and the MST VLAN-to-instance assignment map. You configure the switch for a region by using the **spanning-tree mst configuration** global configuration command, after which the switch enters the MST configuration mode. From this mode, you can map VLANs to an MST instance by using the **instance** MST configuration command, specify the region name by using the **name** MST configuration command, and set the revision number by using the **revision** MST configuration command.

A region can have one member or multiple members with the same MST configuration; each member must be capable of processing RSTP bridge protocol data units (BPDUs). There is no limit to the number of MST regions in a network, but each region can support up to 65 spanning-tree instances. You can assign a VLAN to only one spanning-tree instance at a time.

## IST, CIST, and CST

Unlike PVST+ and rapid PVST+ in which all the spanning-tree instances are independent, the MSTP establishes and maintains two types of spanning trees:

- An internal spanning tree (IST), which is the spanning tree that runs in an MST region.

Within each MST region, the MSTP maintains multiple spanning-tree instances. Instance 0 is a special instance for a region, known as the internal spanning tree (IST). All other MST instances are numbered from 1 to 4094.

The IST is the only spanning-tree instance that sends and receives BPDUs; all of the other spanning-tree instance information is contained in M-records, which are encapsulated within MSTP BPDUs. Because the MSTP BPDU carries information for all instances, the number of BPDUs that need to be processed by a switch to support multiple spanning-tree instances is significantly reduced.



All MST instances within the same region share the same protocol timers, but each MST instance has its own topology parameters, such as root switch ID, root path cost, and so forth. By default, all VLANs are assigned to the IST.

An MST instance is local to the region; for example, MST instance 1 in region A is independent of MST instance 1 in region B, even if regions A and B are interconnected.

- A common and internal spanning tree (CIST), which is a collection of the ISTs in each MST region, and the common spanning tree (CST) that interconnects the MST regions and single spanning trees.

The spanning tree computed in a region appears as a subtree in the CST that encompasses the entire switched domain. The CIST is formed as a result of the spanning-tree algorithm running between switches that support the IEEE 802.1w, IEEE 802.1s, and IEEE 802.1D protocols. The CIST inside an MST region is the same as the CST outside a region.

For more information, see the “Operations Within an MST Region” section on page 16-3 and the “Operations Between MST Regions” section on page 16-3.



Note

The implementation of the IEEE 802.1s standard changes some of the terminology associated with MST implementations. For a summary of these changes, see [Table 16-1 on page 16-5](#).

## Operations Within an MST Region

The IST connects all the MSTP switches in a region. When the IST converges, the root of the IST becomes the IST master (shown in [Figure 16-1 on page 16-4](#)), which is the switch within the region with the lowest bridge ID and path cost to the CST root. The IST master also is the CST root if there is only one region within the network. If the CST root is outside the region, one of the MSTP switches at the boundary of the region is selected as the IST master.

When an MSTP switch initializes, it sends BPDUs claiming itself as the root of the CST and the IST master, with both of the path costs to the CST root and to the IST master set to zero. The switch also initializes all of its MST instances and claims to be the root for all of them. If the switch receives superior MST root information (lower bridge ID, lower path cost, and so forth) than currently stored for the port, it relinquishes its claim as the IST master.

During initialization, a region might have many subregions, each with its own IST master. As switches receive superior IST information, they leave their old subregions and join the new subregion that might contain the true IST master. Thus all subregions shrink, except for the one that contains the true IST master.

For correct operation, all switches in the MST region must agree on the same IST master. Therefore, any two switches in the region synchronize their port roles for an MST instance only if they converge to a common IST master.

## Operations Between MST Regions

If there are multiple regions or legacy IEEE 802.1D switches within the network, MSTP establishes and maintains the CST, which includes all MST regions and all legacy STP switches in the network. The MST instances combine with the IST at the boundary of the region to become the CST.

The IST connects all the MSTP switches in the region and appears as a subtree in the CST that encompasses the entire switched domain, with the root of the subtree being the IST master. The MST region appears as a virtual switch to adjacent STP switches and MST regions.

Figure 16-1 shows a network with three MST regions and a legacy IEEE 802.1D switch (D). The IST master for region 1 (A) is also the CST root. The IST master for region 2 (B) and the IST master for region 3 (C) are the roots for their respective subtrees within the CST. The RSTP runs in all regions.

Figure 16-1 MST Regions, IST Masters, and the CST Root

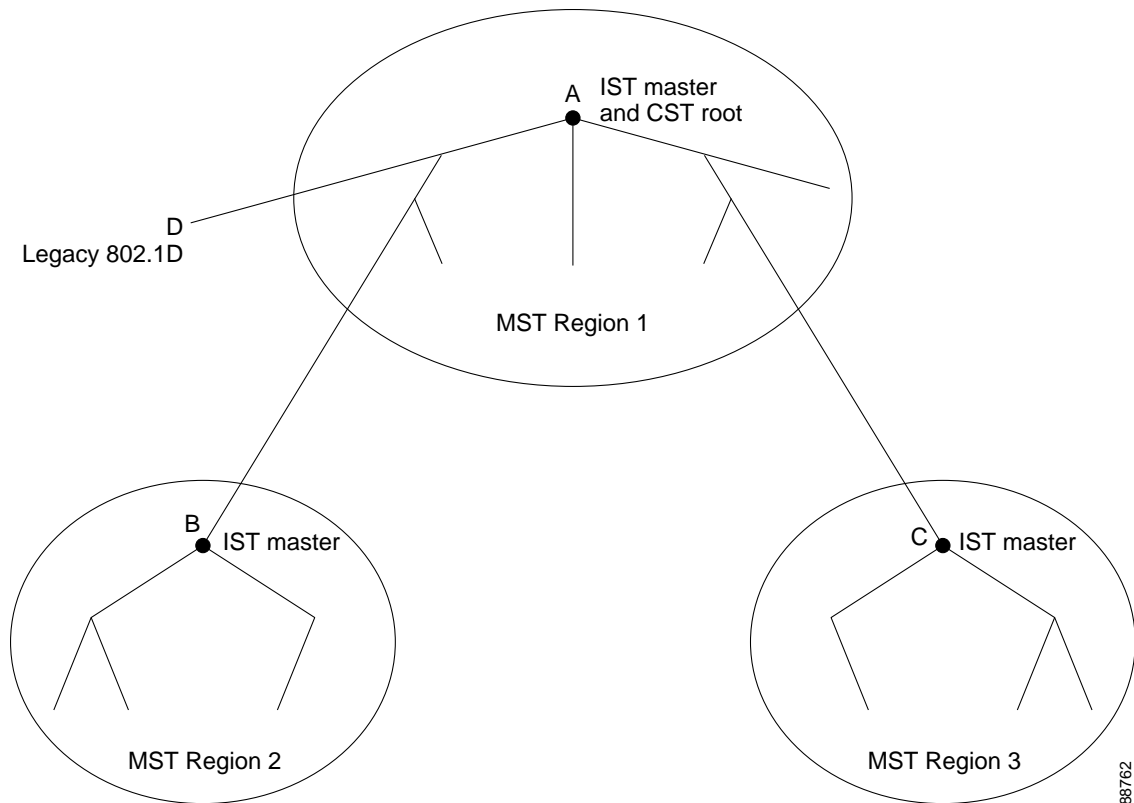


Figure 16-1 does not show additional MST instances for each region. Note that the topology of MST instances can be different from that of the IST for the same region.

Only the CST instance sends and receives BPDUs, and MST instances add their spanning-tree information into the BPDUs to interact with neighboring switches and compute the final spanning-tree topology. Because of this, the spanning-tree parameters related to BPDU transmission (for example, hello time, forward time, max-age, and max-hops) are configured only on the CST instance but affect all MST instances. Parameters related to the spanning-tree topology (for example, switch priority, port VLAN cost, port VLAN priority) can be configured on both the CST instance and the MST instance.

MSTP switches use Version 3 RSTP BPDUs or 802.1D STP BPDUs to communicate with legacy IEEE 802.1D switches. MSTP switches use MSTP BPDUs to communicate with MSTP switches.

## IEEE 802.1s Terminology

Some MST naming conventions used in Cisco's prestandard implementation have been changed to identify some *internal* or *regional* parameters. These parameters are significant only within an MST region, as opposed to external parameters that are relevant to the whole network. Because the CIST is the only spanning-tree instance that spans the whole network, only the CIST parameters require the external rather than the internal or regional qualifiers.

- The CIST root is the root switch for the unique instance that spans the whole network, the CIST.
- The CIST external root path cost is the cost to the CIST root. This cost is left unchanged within an MST region. Remember that an MST region looks like a single switch for the CIST. The CIST external root path cost is the root path cost calculated between these virtual switches and switches that do not belong to any region.
- The CIST regional root was called the IST master in the prestandard implementation. If the CIST root is in the region, the CIST regional root is the CIST root. Otherwise, the CIST regional root is the closest switch to the CIST root in the region. The CIST regional root acts as a root switch for the IST.
- The CIST internal root path cost is the cost to the CIST regional root in a region. This cost is only relevant to the IST, instance 0.

Table 16-1 compares the IEEE standard and the Cisco prestandard terminology.

**Table 16-1** Prestandard and Standard Terminology

IEEE Standard	Cisco Prestandard	Cisco Standard
CIST regional root	IST master	CIST regional root
CIST internal root path cost	IST master path cost	CIST internal path cost
CIST external root path cost	Root path cost	Root path cost
MSTI regional root	Instance root	Instance root
MSTI internal root path cost	Root path cost	Root path cost

## Hop Count

The IST and MST instances do not use the message-age and maximum-age information in the configuration BPDU to compute the spanning-tree topology. Instead, they use the path cost to the root and a hop-count mechanism similar to the IP time-to-live (TTL) mechanism.

By using the **spanning-tree mst max-hops** global configuration command, you can configure the maximum hops inside the region and apply it to the IST and all MST instances in that region. The hop count achieves the same result as the message-age information (trigger a reconfiguration). The root switch of the instance always sends a BPDU (or M-record) with a cost of 0 and the hop count set to the maximum value. When a switch receives this BPDU, it decrements the received remaining hop count by one and propagates this value as the remaining hop count in the BPDUs it generates. When the count reaches zero, the switch discards the BPDU and ages the information held for the port.

The message-age and maximum-age information in the RSTP portion of the BPDU remain the same throughout the region, and the same values are propagated by the region's designated ports at the boundary.

## Boundary Ports

In the Cisco prestandard implementation, a boundary port connects an MST region to a single spanning-tree region running RSTP, to a single spanning-tree region running PVST+ or rapid PVST+, or to another MST region with a different MST configuration. A boundary port also connects to a LAN, the designated switch of which is either a single spanning-tree switch or a switch with a different MST configuration.



### Note

On the Cisco ME switch, only NNIs or STP-enabled ENIs can be MST ports. UNIs do not participate in STP.

There is no definition of a boundary port in the IEEE 802.1s standard. The IEEE 802.1Q-2002 standard identifies two kinds of messages that a port can receive: internal (coming from the same region) and external. When a message is external, it is received only by the CIST. If the CIST role is root or alternate, or if the external BPDU is a topology change, it could have an impact on the MST instances. When a message is internal, the CIST part is received by the CIST, and each MST instance receives its respective M-record. The Cisco prestandard implementation treats a port that receives an external message as a boundary port. This means a port cannot receive a mix of internal and external messages.

An MST region includes both switches and LANs. A segment belongs to the region of its designated port. Therefore, a port in a different region than the designated port for a segment is a boundary port. This definition allows two ports internal to a region to share a segment with a port belonging to a different region, creating the possibility of receiving both internal and external messages on a port.

The primary change from the Cisco prestandard implementation is that a designated port is not defined as boundary, unless it is running in an STP-compatible mode.



### Note

If there is a legacy STP switch on the segment, messages are always considered external.

The other change from the prestandard implementation is that the CIST regional root switch ID field is now inserted where an RSTP or legacy IEEE 802.1Q switch has the sender switch ID. The whole region performs like a single virtual switch by sending a consistent sender switch ID to neighboring switches. In the example in [Figure 16-1](#), switch C would receive a BPDU with the same consistent sender switch ID of root, whether or not A or B is designated for the segment.

## IEEE 802.1s Implementation

The Cisco implementation of the IEEE MST standard includes features required to meet the standard, as well as some of the desirable prestandard functionality that is not yet incorporated into the published standard.

## Port Role Naming Change

The boundary role is no longer in the final MST standard, but this boundary concept is maintained in Cisco's implementation. However, an MST instance port at a boundary of the region might not follow the state of the corresponding CIST port. Two cases exist now:

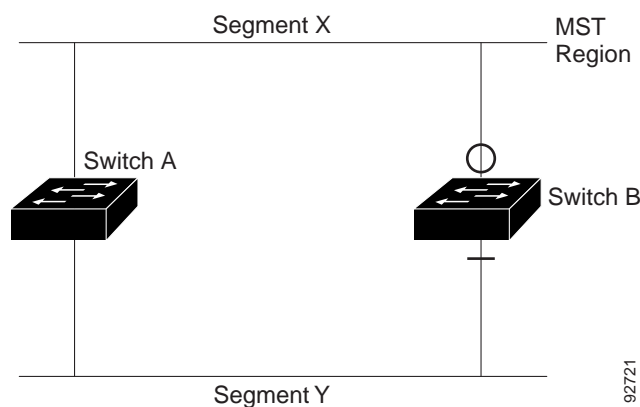
- The boundary port is the root port of the CIST regional root—When the CIST instance port is proposed and is in sync, it can send back an agreement and move to the forwarding state only after all the corresponding MSTI ports are in sync (and thus forwarding). The MSTI ports now have a special *master* role.
- The boundary port is not the root port of the CIST regional root—The MSTI ports follow the state and role of the CIST port. The standard provides less information, and it might be difficult to understand why an MSTI port can be alternately blocking when it receives no BPDUs (MRecords). In this case, although the boundary role no longer exists, the **show** commands identify a port as boundary in the *type* column of the output.

## Interoperation Between Legacy and Standard Switches

Because automatic detection of prestandard switches can fail, you can use an interface configuration command to identify prestandard ports. A region cannot be formed between a standard and a prestandard switch, but they can interoperate by using the CIST. Only the capability of load balancing over different instances is lost in that particular case. The CLI displays different flags depending on the port configuration when a port receives prestandard BPDUs. A syslog message also appears the first time a switch receives a prestandard BPDU on a port that has not been configured for prestandard BPDU transmission.

Figure 16-2 illustrates this scenario. Assume that A is a standard switch and B a prestandard switch, both configured to be in the same region. A is the root switch for the CIST, and thus B has a root port (BX) on segment X and an alternate port (BY) on segment Y. If segment Y flaps, and the port on BY becomes the alternate before sending out a single prestandard BPDU, AY cannot detect that a prestandard switch is connected to Y and continues to send standard BPDUs. The port BY is thus fixed in a boundary, and no load balancing is possible between A and B. The same problem exists on segment X, but B might transmit topology changes.

**Figure 16-2** Standard and Prestandard Switch Interoperation



**Note**

We recommend that you minimize the interaction between standard and prestandard MST implementations.

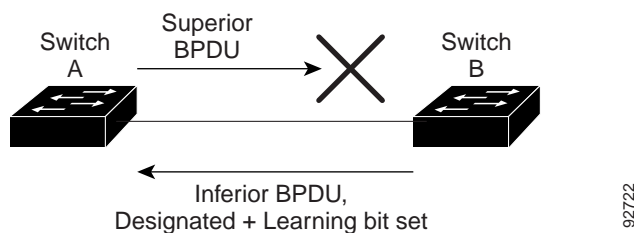
## Detecting Unidirectional Link Failure

This feature is not yet present in the IEEE MST standard, but it is included in this Cisco IOS release. The software checks the consistency of the port role and state in the received BPDUs to detect unidirectional link failures that could cause bridging loops.

When a designated port detects a conflict, it keeps its role, but reverts to discarding state because disrupting connectivity in case of inconsistency is preferable to opening a bridging loop.

Figure 16-3 illustrates a unidirectional link failure that typically creates a bridging loop. Switch A is the root switch, and its BPDUs are lost on the link leading to switch B. RSTP and MST BPDUs include the role and state of the sending port. With this information, switch A can detect that switch B does not react to the superior BPDUs it sends and that switch B is the designated, not root switch. As a result, switch A blocks (or keeps blocking) its port, thus preventing the bridging loop.

Figure 16-3 Detecting Unidirectional Link Failure



## Interoperability with IEEE 802.1D STP

A switch running MSTP supports a built-in protocol migration mechanism that enables it to interoperate with legacy IEEE 802.1D switches. If this switch receives a legacy IEEE 802.1D configuration BPDU (a BPDU with the protocol version set to 0), it sends only IEEE 802.1D BPDUs on that port. An MSTP switch also can detect that a port is at the boundary of a region when it receives a legacy BPDU, an MSTP BPDU (Version 3) associated with a different region, or an RSTP BPDU (Version 2).

However, the switch does not automatically revert to the MSTP mode if it no longer receives IEEE 802.1D BPDUs because it cannot detect whether the legacy switch has been removed from the link unless the legacy switch is the designated switch. Also, a switch might continue to assign a boundary role to a port when the switch to which this switch is connected has joined the region. To restart the protocol migration process (force the renegotiation with neighboring switches), use the **clear spanning-tree detected-protocols** privileged EXEC command.

If all the legacy switches on the link are RSTP switches, they can process MSTP BPDUs as if they are RSTP BPDUs. Therefore, MSTP switches send either a Version 0 configuration and TCN BPDUs or Version 3 MSTP BPDUs on a boundary port. A boundary port connects to a LAN, the designated switch of which is either a single spanning-tree switch or a switch with a different MST configuration.

## Understanding RSTP

The RSTP takes advantage of point-to-point wiring and provides rapid convergence of the spanning tree. Reconfiguration of the spanning tree can occur in less than 1 second (in contrast to 50 seconds with the default settings in the IEEE 802.1D spanning tree), which is critical for networks carrying delay-sensitive traffic such as voice and video.

- [Port Roles and the Active Topology](#), page 16-9
- [Rapid Convergence](#), page 16-10
- [Synchronization of Port Roles](#), page 16-11
- [Bridge Protocol Data Unit Format and Processing](#), page 16-12

For configuration information, see the “[Configuring MSTP Features](#)” section on page 16-14.

## Port Roles and the Active Topology

The RSTP provides rapid convergence of the spanning tree by assigning port roles and by learning the active topology. The RSTP builds upon the IEEE 802.1D STP to select the switch with the highest switch priority (lowest numerical priority value) as the root switch as described in the “[Spanning-Tree Topology and BPDUs](#)” section on page 15-3. Then the RSTP assigns one of these port roles to individual ports.



### Note

On the Cisco ME switch, only NNIs or STP-enabled ENIs can be RSTP ports. UNIs do not participate in STP.

- **Root port**—Provides the best path (lowest cost) when the switch forwards packets to the root switch.
- **Designated port**—Connects to the designated switch, which incurs the lowest path cost when forwarding packets from that LAN to the root switch. The port through which the designated switch is attached to the LAN is called the designated port.
- **Alternate port**—Offers an alternate path toward the root switch to that provided by the current root port.
- **Backup port**—Acts as a backup for the path provided by a designated port toward the leaves of the spanning tree. A backup port can exist only when two ports are connected together in a loopback by a point-to-point link or when a switch has two or more connections to a shared LAN segment.
- **Disabled port**—Has no role within the operation of the spanning tree.

A port with the root or a designated port role is included in the active topology. A port with the alternate or backup port role is excluded from the active topology.

In a stable topology with consistent port roles throughout the network, the RSTP ensures that every root port and designated port immediately transition to the forwarding state while all alternate and backup ports are always in the discarding state (equivalent to blocking in 802.1D). The port state controls the operation of the forwarding and learning processes. [Table 16-2](#) provides a comparison of IEEE 802.1D and RSTP port states.

**Table 16-2** Port State Comparison

Operational Status	STP Port State (IEEE 802.1D)	RSTP Port State	Is Port Included in the Active Topology?
Enabled	Blocking	Discarding	No
Enabled	Listening	Discarding	No
Enabled	Learning	Learning	Yes
Enabled	Forwarding	Forwarding	Yes
Disabled	Disabled	Discarding	No

To be consistent with Cisco STP implementations, this guide documents the port state as *blocking* instead of *discarding*. Designated ports start in the listening state.

## Rapid Convergence

The RSTP provides for rapid recovery of connectivity following the failure of a switch, a switch port, or a LAN. It provides rapid convergence for edge ports, new root ports, and ports connected through point-to-point links as follows:

- Edge ports—If you configure a port as an edge port on an RSTP switch by using the **spanning-tree portfast** interface configuration command, the edge port immediately transitions to the forwarding state. An edge port is the same as a Port Fast-enabled port, and you should enable it only on ports that connect to a single end station.
- Root ports—If the RSTP selects a new root port, it blocks the old root port and immediately transitions the new root port to the forwarding state.
- Point-to-point links—If you connect a port to another port through a point-to-point link and the local port becomes a designated port, it negotiates a rapid transition with the other port by using the proposal-agreement handshake to ensure a loop-free topology.



---

**Note** On the Cisco ME switch, these ports are always NNIs or STP-enabled ENIs.

---

As shown in [Figure 16-4](#), Switch A is connected to Switch B through a point-to-point link, and all of the ports are in the blocking state. Assume that the priority of Switch A is a smaller numerical value than the priority of Switch B. Switch A sends a proposal message (a configuration BPDU with the proposal flag set) to Switch B, proposing itself as the designated switch.

After receiving the proposal message, Switch B selects as its new root port the port from which the proposal message was received, forces all nonedge ports to the blocking state, and sends an agreement message (a BPDU with the agreement flag set) through its new root port.

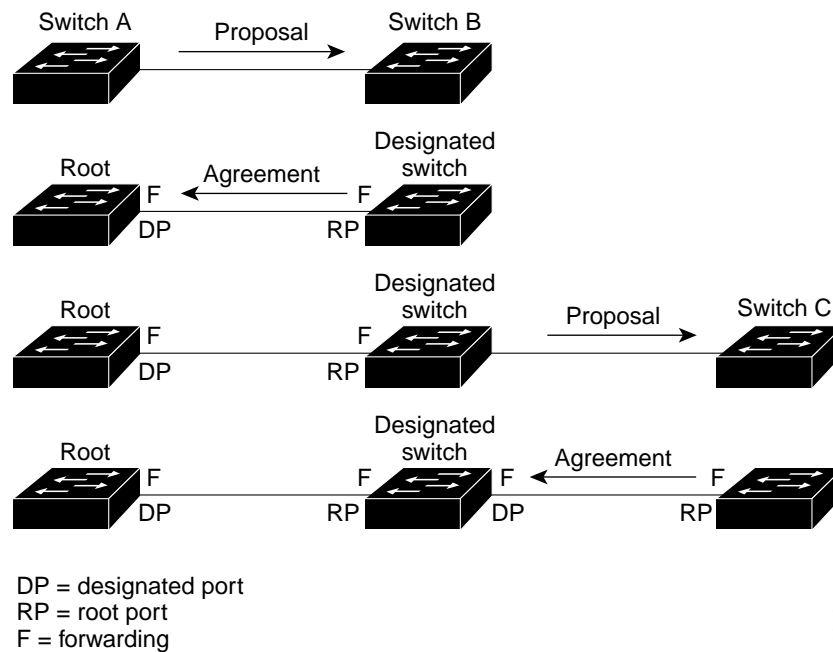
After receiving Switch B's agreement message, Switch A also immediately transitions its designated port to the forwarding state. No loops in the network are formed because Switch B blocked all of its nonedge ports and because there is a point-to-point link between Switches A and B.

When Switch C is connected to Switch B, a similar set of handshaking messages are exchanged. Switch C selects the port connected to Switch B as its root port, and both ends immediately transition to the forwarding state. With each iteration of this handshaking process, one more switch joins the active topology. As the network converges, this proposal-agreement handshaking progresses from the root toward the leaves of the spanning tree.

The switch learns the link type from the port duplex mode: a full-duplex port is considered to have a point-to-point connection; a half-duplex port is considered to have a shared connection. You can override the default setting that is controlled by the duplex setting by using the **spanning-tree link-type** interface configuration command.



Figure 16-4 Proposal and Agreement Handshaking for Rapid Convergence



## Synchronization of Port Roles

When the switch receives a proposal message on one of its ports and that port is selected as the new root port, the RSTP forces all other ports to synchronize with the new root information.

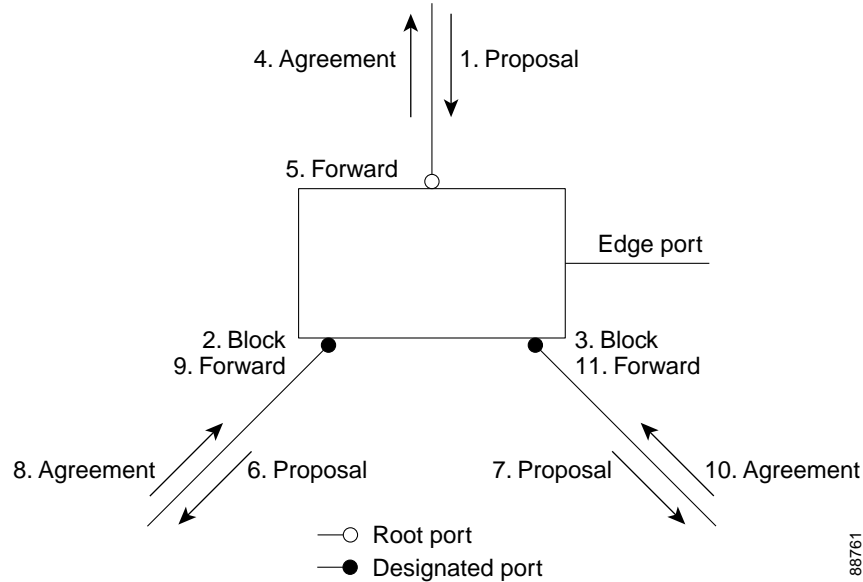
The switch is synchronized with superior root information received on the root port if all other ports are synchronized. An individual port on the switch is synchronized if

- That port is in the blocking state.
- It is an edge port (a port configured to be at the edge of the network).

If a designated STP port is in the forwarding state and is not configured as an edge port, it transitions to the blocking state when the RSTP forces it to synchronize with new root information. In general, when the RSTP forces a port to synchronize with root information and the port does not satisfy any of the above conditions, its port state is set to blocking.

After ensuring all of the ports are synchronized, the switch sends an agreement message to the designated switch corresponding to its root port. When the switches connected by a point-to-point link are in agreement about their port roles, the RSTP immediately transitions the port states to forwarding. The sequence of events is shown in [Figure 16-5](#).

Figure 16-5 Sequence of Events During Rapid Convergence



## Bridge Protocol Data Unit Format and Processing

The RSTP BPDU format is the same as the IEEE 802.1D BPDU format except that the protocol version is set to 2. A new one-byte Version 1 Length field is set to zero, which means that no version 1 protocol information is present. Table 16-3 shows the RSTP flag fields.

Table 16-3 RSTP BPDU Flags

Bit	Function
0	Topology change (TC)
1	Proposal
2–3:	Port role:
00	Unknown
01	Alternate port
10	Root port
11	Designated port
4	Learning
5	Forwarding
6	Agreement
7	Topology change acknowledgement (TCA)

The sending switch sets the proposal flag in the RSTP BPDU to propose itself as the designated switch on that LAN. The port role in the proposal message is always set to the designated port.

The sending switch sets the agreement flag in the RSTP BPDU to accept the previous proposal. The port role in the agreement message is always set to the root port.

The RSTP does not have a separate topology change notification (TCN) BPDU. It uses the topology change (TC) flag to show the topology changes. However, for interoperability with 802.1D switches, the RSTP switch processes and generates TCN BPDUs.

The learning and forwarding flags are set according to the state of the sending port.

## Processing Superior BPDU Information

If a port receives superior root information (lower bridge ID, lower path cost, and so forth) than currently stored for the port, the RSTP triggers a reconfiguration. If the port is proposed and is selected as the new root port, RSTP forces all the other ports to synchronize.

If the BPDU received is an RSTP BPDU with the proposal flag set, the switch sends an agreement message after all of the other ports are synchronized. If the BPDU is an 802.1D BPDU, the switch does not set the proposal flag and starts the forward-delay timer for the port. The new root port requires twice the forward-delay time to transition to the forwarding state.

If the superior information received on the port causes the port to become a backup or alternate port, RSTP sets the port to the blocking state but does not send the agreement message. The designated port continues sending BPDUs with the proposal flag set until the forward-delay timer expires, at which time the port transitions to the forwarding state.

## Processing Inferior BPDU Information

If a designated port receives an inferior BPDU (higher bridge ID, higher path cost, and so forth than currently stored for the port) with a designated port role, it immediately replies with its own information.

## Topology Changes

This section describes the differences between the RSTP and the IEEE 802.1D in handling spanning-tree topology changes.

- **Detection**—Unlike IEEE 802.1D in which *any* transition between the blocking and the forwarding state causes a topology change, *only* transitions from the blocking to the forwarding state cause a topology change with RSTP (only an increase in connectivity is considered a topology change). State changes on an edge port do not cause a topology change. When an RSTP switch detects a topology change, it flushes the learned information on all of its nonedge ports except on those from which it received the TC notification.
- **Notification**—Unlike IEEE 802.1D, which uses TCN BPDUs, the RSTP does not use them. However, for 802.1D interoperability, an RSTP switch processes and generates TCN BPDUs.
- **Acknowledgement**—When an RSTP switch receives a TCN message on a designated port from an IEEE 802.1D switch, it replies with an 802.1D configuration BPDU with the TCA bit set. However, if the TC-while timer (the same as the topology-change timer in 802.1D) is active on a root port connected to an 802.1D switch and a configuration BPDU with the TCA bit set is received, the TC-while timer is reset.

This behavior is only required to support IEEE 802.1D switches. The RSTP BPDUs never have the TCA bit set.

- **Propagation**—When an RSTP switch receives a TC message from another switch through a designated or root port, it propagates the change to all of its nonedge, designated ports and to the root port (excluding the port on which it is received). The switch starts the TC-while timer for all such ports and flushes the information learned on them.

- Protocol migration—For backward compatibility with IEEE 802.1D switches, RSTP selectively sends IEEE 802.1D configuration BPDUs and TCN BPDUs on a per-port basis.

When a port is initialized, the migrate-delay timer is started (specifies the minimum time during which RSTP BPDUs are sent), and RSTP BPDUs are sent. While this timer is active, the switch processes all BPDUs received on that port and ignores the protocol type.

If the switch receives an IEEE 802.1D BPDU after the port's migration-delay timer has expired, it assumes that it is connected to an IEEE 802.1D switch and starts using only IEEE 802.1D BPDUs. However, if the RSTP switch is using IEEE 802.1D BPDUs on a port and receives an RSTP BPDU after the timer has expired, it restarts the timer and starts using RSTP BPDUs on that port.

## Configuring MSTP Features

- [Default MSTP Configuration, page 16-14](#)
- [MSTP Configuration Guidelines, page 16-15](#)
- [Specifying the MST Region Configuration and Enabling MSTP, page 16-16](#) (required)
- [Configuring the Root Switch, page 16-17](#) (optional)
- [Configuring a Secondary Root Switch, page 16-19](#) (optional)
- [Configuring Port Priority, page 16-20](#) (optional)
- [Configuring Path Cost, page 16-22](#) (optional)
- [Configuring the Switch Priority, page 16-23](#) (optional)
- [Configuring the Hello Time, page 16-24](#) (optional)
- [Configuring the Forwarding-Delay Time, page 16-24](#) (optional)
- [Configuring the Maximum-Aging Time, page 16-25](#) (optional)
- [Configuring the Maximum-Hop Count, page 16-25](#) (optional)
- [Specifying the Link Type to Ensure Rapid Transitions, page 16-26](#) (optional)
- [Designating the Neighbor Type, page 16-26](#) (optional)
- [Restarting the Protocol Migration Process, page 16-27](#) (optional)

## Default MSTP Configuration

Table 16-4 shows the default MSTP configuration.

**Table 16-4** Default MSTP Configuration

Feature	Default Setting
Spanning-tree mode	Rapid PVST+ (PVST+ and MSTP are disabled).
Switch priority (configurable on a per-CIST port basis)	32768.
Spanning-tree port priority (configurable on a per-CIST port basis)	128.
Spanning-tree port cost (configurable on a per-CIST port basis)	1000 Mbps: 4. 100 Mbps: 19. 10 Mbps: 100.

Table 16-4 Default MSTP Configuration (continued)

Feature	Default Setting
Hello time	2 seconds.
Forward-delay time	15 seconds.
Maximum-aging time	20 seconds.
Maximum hop count	20 hops.

For information about the supported number of spanning-tree instances, see the [“Supported Spanning-Tree Instances”](#) section on page 15-10.

## MSTP Configuration Guidelines

- On the Cisco ME switch, MSTP is supported only on NNIs or ENIs on which STP has been enabled. You enable STP on an ENI by entering the **spanning-tree** interface configuration command. UNIs do not participate in MSTP.
- When you enable MST by using the **spanning-tree mode mst** global configuration command, RSTP is automatically enabled.
- For two or more switches to be in the same MST region, they must have the same VLAN-to-instance map, the same configuration revision number, and the same name.
- The switch supports up to 65 MST instances. The number of VLANs that can be mapped to a particular MST instance is unlimited.
- PVST+, rapid PVST+, and MSTP are supported, but only one version can be active at any time. (For example, all VLANs run PVST+, all VLANs run rapid PVST+, or all VLANs run MSTP.) For more information, see the [“Spanning-Tree Interoperability and Backward Compatibility”](#) section on page 15-10. For information on the recommended trunk port configuration, see the [“Interaction with Other Features”](#) section on page 12-16.
- You can manually configure the MST configuration (region name, revision number, and VLAN-to-instance mapping) on each switch within the MST region by using the command-line interface (CLI) or through the SNMP support.
- For load balancing across redundant paths in the network to work, all VLAN-to-instance mapping assignments must match; otherwise, all traffic flows on a single link.
- All MST boundary ports must be forwarding for load balancing between a PVST+ and an MST cloud or between a rapid-PVST+ and an MST cloud. For this to occur, the IST master of the MST cloud should also be the root of the CST. If the MST cloud consists of multiple MST regions, one of the MST regions must contain the CST root, and all of the other MST regions must have a better path to the root contained within the MST cloud than a path through the PVST+ or rapid-PVST+ cloud. You might have to manually configure the switches in the clouds.
- Partitioning the network into a large number of regions is not recommended. However, if this situation is unavoidable, we recommend that you partition the switched LAN into smaller LANs interconnected by routers or non-Layer 2 devices.

- When the switch is in MST mode, it uses the long path-cost calculation method (32 bits) to compute the path cost values. With the long path-cost calculation method, these path cost values are supported:

Speed	Path Cost Value
10 Mb/s	2,000,000
100 Mb/s	200,000
1 Gb/s	20,000
10 Gb/s	2,000
100 Gb/s	200


## Specifying the MST Region Configuration and Enabling MSTP

For two or more switches to be in the same MST region, they must have the same VLAN-to-instance mapping, the same configuration revision number, and the same name.

A region can have one member or multiple members with the same MST configuration; each member must be capable of processing RSTP BPDUs. There is no limit to the number of MST regions in a network, but each region can support up to 65 spanning-tree instances. You can assign a VLAN to only one spanning-tree instance at a time.

Beginning in privileged EXEC mode, follow these steps to specify the MST region configuration and enable MSTP. This procedure is required.

	Command	Purpose
Step 1	<b>configure terminal</b>	Enter global configuration mode.
Step 2	<b>spanning-tree mst configuration</b>	Enter MST configuration mode.
Step 3	<b>instance <i>instance-id</i> vlan <i>vlan-range</i></b>	Map VLANs to an MST instance. <ul style="list-style-type: none"> <li>For <i>instance-id</i>, the range is 0 to 4094.</li> <li>For <b>vlan <i>vlan-range</i></b>, the range is 1 to 4094.</li> </ul> <p>When you map VLANs to an MST instance, the mapping is incremental, and the VLANs specified in the command are added to or removed from the VLANs that were previously mapped.</p> <p>To specify a VLAN range, use a hyphen; for example, <b>instance 1 vlan 1-63</b> maps VLANs 1 through 63 to MST instance 1.</p> <p>To specify a VLAN series, use a comma; for example, <b>instance 1 vlan 10, 20, 30</b> maps VLANs 10, 20, and 30 to MST instance 1.</p>
Step 4	<b>name <i>name</i></b>	Specify the configuration name. The <i>name</i> string has a maximum length of 32 characters and is case sensitive.
Step 5	<b>revision <i>version</i></b>	Specify the configuration revision number. The range is 0 to 65535.
Step 6	<b>show pending</b>	Verify your configuration by displaying the pending configuration.
Step 7	<b>exit</b>	Apply all changes, and return to global configuration mode.

	Command	Purpose
Step 8	<b>spanning-tree mode mst</b>	Enable MSTP. RSTP is also enabled.   <b>Caution</b> Changing spanning-tree modes can disrupt traffic because all spanning-tree instances are stopped for the previous mode and restarted in the new mode.  You cannot run both MSTP and rapid PVST+ or both MSTP and PVST+ at the same time.
Step 9	<b>end</b>	Return to privileged EXEC mode.
Step 10	<b>show running-config</b>	Verify your entries.
Step 11	<b>copy running-config startup-config</b>	(Optional) Save your entries in the configuration file.

To return to the default MST region configuration, use the **no spanning-tree mst configuration** global configuration command. To return to the default VLAN-to-instance map, use the **no instance *instance-id* [vlan *vlan-range*]** MST configuration command. To return to the default name, use the **no name** MST configuration command. To return to the default revision number, use the **no revision** MST configuration command. To re-enable rapid PVST+, use the **no spanning-tree mode** or the **spanning-tree mode pvst** global configuration command.

This example shows how to enter MST configuration mode, map VLANs 10 to 20 to MST instance 1, name the region *region1*, set the configuration revision to 1, display the pending configuration, apply the changes, and return to global configuration mode:

```
Switch(config)# spanning-tree mst configuration
Switch(config-mst)# instance 1 vlan 10-20
Switch(config-mst)# name region1
Switch(config-mst)# revision 1
Switch(config-mst)# show pending
Pending MST configuration
Name      [region1]
Revision  1
Instance  Vlans Mapped
-----
0         1-9,21-4094
1         10-20
-----

Switch(config-mst)# exit
Switch(config)#
```

## Configuring the Root Switch

The switch maintains a spanning-tree instance for the group of VLANs mapped to it. A bridge ID, consisting of the switch priority and the switch MAC address, is associated with each instance. For a group of VLANs, the switch with the lowest bridge ID becomes the root switch.

To configure a switch to become the root, use the **spanning-tree mst *instance-id* root** global configuration command to modify the switch priority from the default value (32768) to a significantly lower value so that the switch becomes the root switch for the specified spanning-tree instance. When you enter this command, the switch checks the switch priorities of the root switches. Because of the extended system ID support, the switch sets its own priority for the specified instance to 24576 if this value will cause this switch to become the root for the specified spanning-tree instance.

If any root switch for the specified instance has a switch priority lower than 24576, the switch sets its own priority to 4096 less than the lowest switch priority. (4096 is the value of the least-significant bit of a 4-bit switch priority value as shown in [Table 15-1 on page 15-4](#).)

If your network consists of switches that both do and do not support the extended system ID, it is unlikely that the switch with the extended system ID support will become the root switch. The extended system ID increases the switch priority value every time the VLAN number is greater than the priority of the connected switches running older software.

The root switch for each spanning-tree instance should be a backbone or distribution switch. Do not configure an access switch as the spanning-tree primary root.



Use the **diameter** keyword, which is available only for MST instance 0, to specify the Layer 2 network diameter (that is, the maximum number of switch hops between any two end stations in the Layer 2 network). When you specify the network diameter, the switch automatically sets an optimal hello time, forward-delay time, and maximum-age time for a network of that diameter, which can significantly reduce the convergence time. You can use the **hello** keyword to override the automatically calculated hello time.

**Note**

After configuring the switch as the root switch, we recommend that you avoid manually configuring the hello time, forward-delay time, and maximum-age time through the **spanning-tree mst hello-time**, **spanning-tree mst forward-time**, and the **spanning-tree mst max-age** global configuration commands.

Beginning in privileged EXEC mode, follow these steps to configure a switch as the root switch. This procedure is optional.

	Command	Purpose
Step 1	<b>configure terminal</b>	Enter global configuration mode.
Step 2	<b>spanning-tree mst <i>instance-id</i> root primary</b> <b>[<i>diameter net-diameter</i> [<i>hello-time seconds</i>]]</b>	Configure a switch as the root switch. <ul style="list-style-type: none"> <li>For <i>instance-id</i>, you can specify a single instance, a range of instances separated by a hyphen, or a series of instances separated by a comma. The range is 0 to 4094.</li> <li>(Optional) For <b>diameter <i>net-diameter</i></b>, specify the maximum number of switches between any two end stations. The range is 2 to 7. This keyword is available only for MST instance 0.</li> <li>(Optional) For <b>hello-time <i>seconds</i></b>, specify the interval in seconds between the generation of configuration messages by the root switch. The range is 1 to 10 seconds; the default is 2 seconds.</li> </ul>
Step 3	<b>end</b>	Return to privileged EXEC mode.
Step 4	<b>show spanning-tree mst <i>instance-id</i></b>	Verify your entries.
Step 5	<b>copy running-config startup-config</b>	(Optional) Save your entries in the configuration file.

To return the switch to its default setting, use the **no spanning-tree mst *instance-id* root** global configuration command.

## Configuring a Secondary Root Switch

When you configure a switch with the extended system ID support as the secondary root, the switch priority is modified from the default value (32768) to 28672. The switch is then likely to become the root switch for the specified instance if the primary root switch fails. This is assuming that the other network switches use the default switch priority of 32768 and therefore are unlikely to become the root switch.

You can execute this command on more than one switch to configure multiple backup root switches. Use the same network diameter and hello-time values that you used when you configured the primary root switch with the **spanning-tree mst *instance-id* root primary** global configuration command.

Beginning in privileged EXEC mode, follow these steps to configure a switch as the secondary root switch. This procedure is optional.

	Command	Purpose
Step 1	<b>configure terminal</b>	Enter global configuration mode.
Step 2	<b>spanning-tree mst <i>instance-id</i> root secondary</b> [ <b>diameter</b> <i>net-diameter</i> [ <b>hello-time</b> <i>seconds</i> ]]	Configure a switch as the secondary root switch. <ul style="list-style-type: none"> <li>For <i>instance-id</i>, you can specify a single instance, a range of instances separated by a hyphen, or a series of instances separated by a comma. The range is 0 to 4094.</li> <li>(Optional) For <b>diameter</b> <i>net-diameter</i>, specify the maximum number of switches between any two end stations. The range is 2 to 7. This keyword is available only for MST instance 0.</li> <li>(Optional) For <b>hello-time</b> <i>seconds</i>, specify the interval in seconds between the generation of configuration messages by the root switch. The range is 1 to 10 seconds; the default is 2 seconds.</li> </ul> Use the same network diameter and hello-time values that you used when configuring the primary root switch. See the <a href="#">“Configuring the Root Switch”</a> section on page 16-17.
Step 3	<b>end</b>	Return to privileged EXEC mode.
Step 4	<b>show spanning-tree mst <i>instance-id</i></b>	Verify your entries.
Step 5	<b>copy running-config startup-config</b>	(Optional) Save your entries in the configuration file.

To return the switch to its default setting, use the **no spanning-tree mst *instance-id* root** global configuration command.

## Configuring Port Priority

If a loop occurs, the MSTP uses the port priority when selecting an STP port to put into the forwarding state. You can assign higher priority values (lower numerical values) to STP ports that you want selected first and lower priority values (higher numerical values) that you want selected last. If all interfaces have the same priority value, the MSTP puts the interface with the lowest interface number in the forwarding state and blocks the other interfaces.

Beginning in privileged EXEC mode, follow these steps to configure the MSTP port priority of an interface. This procedure is optional.

	Command	Purpose
Step 1	<b>configure terminal</b>	Enter global configuration mode.
Step 2	<b>interface</b> <i>interface-id</i>	Specify an interface to configure, and enter interface configuration mode.  Valid interfaces include physical NNIs or ENIs with spanning tree enabled, VLANs, and NNI or ENI port channels. The VLAN ID range is 1 to 4094. The port-channel range is 1 to 48.  <b>Note</b> If a physical interface is a UNI, before attempting to configure MST port priority, you must enter the <b>port-type nni</b> interface configuration command or configure the port as an ENI and enable spanning tree on the port. See <a href="#">“Enabling Spanning Tree on an ENI” section on page 15-13</a> .  If the interface is a VLAN, only ports with spanning tree enabled in the VLAN will run spanning tree.  If the interface is a port channel, all members of the port channel must be NNIs or ENIs with spanning tree enabled.
Step 3	<b>spanning-tree mst</b> <i>instance-id</i> <b>port-priority</b> <i>priority</i>	Configure the port priority.  <ul style="list-style-type: none"> <li>For <i>instance-id</i>, you can specify a single instance, a range of instances separated by a hyphen, or a series of instances separated by a comma. The range is 0 to 4094.</li> <li>For <i>priority</i>, the range is 0 to 240 in increments of 16. The default is 128. The lower the number, the higher the priority. The priority values are 0, 16, 32, 48, 64, 80, 96, 112, 128, 144, 160, 176, 192, 208, 224, and 240. All other values are rejected.</li> </ul>
Step 4	<b>end</b>	Return to privileged EXEC mode.
Step 5	<b>show spanning-tree mst interface</b> <i>interface-id</i> or <b>show spanning-tree mst</b> <i>instance-id</i>	Verify your entries.
Step 6	<b>copy running-config startup-config</b>	(Optional) Save your entries in the configuration file.

**Note**

The **show spanning-tree mst interface** *interface-id* privileged EXEC command displays information only if the port is in a link-up operative state. Otherwise, you can use the **show running-config interface** privileged EXEC command to confirm the configuration.

To return the interface to its default setting, use the **no spanning-tree mst** *instance-id* **port-priority** interface configuration command.

## Configuring Path Cost

The MSTP path cost default value is derived from the media speed of an STP port. If a loop occurs, the MSTP uses cost when selecting an interface to put in the forwarding state. You can assign lower cost values to STP ports that you want selected first and higher cost values that you want selected last. If all interfaces have the same cost value, the MSTP puts the interface with the lowest interface number in the forwarding state and blocks the other interfaces.

Beginning in privileged EXEC mode, follow these steps to configure the MSTP cost of an interface. This procedure is optional.

	Command	Purpose
Step 1	<b>configure terminal</b>	Enter global configuration mode.
Step 2	<b>interface</b> <i>interface-id</i>	Specify an interface to configure, and enter interface configuration mode. Valid interfaces include physical NNIs or ENIs with spanning tree enabled, VLANs, and NNI or ENI port channels. The VLAN ID range is 1 to 4094. The port-channel range is 1 to 48.  <b>Note</b> If a physical interface is a UNI, before attempting to configure MST port priority, you must enter the <b>port-type nni</b> interface configuration command or configure the port as an ENI and enable spanning tree on the port. See <a href="#">“Enabling Spanning Tree on an ENI”</a> section on page 15-13. If the interface is a VLAN, only ports with spanning tree enabled in the VLAN will run spanning tree. If the interface is a port channel, all members of the port channel must be NNIs or ENIs with spanning tree enabled.
Step 3	<b>spanning-tree mst</b> <i>instance-id</i> <b>cost</b> <i>cost</i>	Configure the cost. If a loop occurs, the MSTP uses the path cost when selecting an interface to place into the forwarding state. A lower path cost represents higher-speed transmission. <ul style="list-style-type: none"> <li>For <i>instance-id</i>, you can specify a single instance, a range of instances separated by a hyphen, or a series of instances separated by a comma. The range is 0 to 4094.</li> <li>For <i>cost</i>, the range is 1 to 200000000; the default value is derived from the media speed of the interface.</li> </ul>
Step 4	<b>end</b>	Return to privileged EXEC mode.
Step 5	<b>show spanning-tree mst interface</b> <i>interface-id</i> or <b>show spanning-tree mst</b> <i>instance-id</i>	Verify your entries.
Step 6	<b>copy running-config startup-config</b>	(Optional) Save your entries in the configuration file.

**Note**

The **show spanning-tree mst interface** *interface-id* privileged EXEC command displays information only for ports that are in a link-up operative state. Otherwise, you can use the **show running-config** privileged EXEC command to confirm the configuration.

To return the interface to its default setting, use the **no spanning-tree mst** *instance-id* **cost** interface configuration command.

## Configuring the Switch Priority

You can configure the switch priority and make it more likely that the switch will be chosen as the root switch.

**Note**

Exercise care when using this command. For most situations, we recommend that you use the **spanning-tree mst** *instance-id* **root primary** and the **spanning-tree mst** *instance-id* **root secondary** global configuration commands to modify the switch priority.

Beginning in privileged EXEC mode, follow these steps to configure the switch priority. This procedure is optional.

	Command	Purpose
Step 1	<b>configure terminal</b>	Enter global configuration mode.
Step 2	<b>spanning-tree mst</b> <i>instance-id</i> <b>priority</b> <i>priority</i>	Configure the switch priority. <ul style="list-style-type: none"> <li>For <i>instance-id</i>, you can specify a single instance, a range of instances separated by a hyphen, or a series of instances separated by a comma. The range is 0 to 4094.</li> <li>For <i>priority</i>, the range is 0 to 61440 in increments of 4096; the default is 32768. The lower the number, the more likely the switch will be chosen as the root switch.</li> </ul> Priority values are 0, 4096, 8192, 12288, 16384, 20480, 24576, 28672, 32768, 36864, 40960, 45056, 49152, 53248, 57344, and 61440. All other values are rejected.
Step 3	<b>end</b>	Return to privileged EXEC mode.
Step 4	<b>show spanning-tree mst</b> <i>instance-id</i>	Verify your entries.
Step 5	<b>copy running-config startup-config</b>	(Optional) Save your entries in the configuration file.

To return the switch to its default setting, use the **no spanning-tree mst** *instance-id* **priority** global configuration command.

## Configuring the Hello Time

You can configure the interval between the generation of configuration messages by the root switch by changing the hello time.



### Note

Exercise care when using this command. For most situations, we recommend that you use the **spanning-tree mst *instance-id* root primary** and the **spanning-tree mst *instance-id* root secondary** global configuration commands to modify the hello time.

Beginning in privileged EXEC mode, follow these steps to configure the hello time for all MST instances. This procedure is optional.

	Command	Purpose
Step 1	<b>configure terminal</b>	Enter global configuration mode.
Step 2	<b>spanning-tree mst hello-time <i>seconds</i></b>	Configure the hello time for all MST instances. The hello time is the interval between the generation of configuration messages by the root switch. These messages mean that the switch is alive.  For <i>seconds</i> , the range is 1 to 10; the default is 2.
Step 3	<b>end</b>	Return to privileged EXEC mode.
Step 4	<b>show spanning-tree mst</b>	Verify your entries.
Step 5	<b>copy running-config startup-config</b>	(Optional) Save your entries in the configuration file.

To return the switch to its default setting, use the **no spanning-tree mst hello-time** global configuration command.

## Configuring the Forwarding-Delay Time

Beginning in privileged EXEC mode, follow these steps to configure the forwarding-delay time for all MST instances. This procedure is optional.

	Command	Purpose
Step 1	<b>configure terminal</b>	Enter global configuration mode.
Step 2	<b>spanning-tree mst forward-time <i>seconds</i></b>	Configure the forward time for all MST instances. The forward delay is the number of seconds a port waits before changing from its spanning-tree learning and listening states to the forwarding state.  For <i>seconds</i> , the range is 4 to 30; the default is 15.
Step 3	<b>end</b>	Return to privileged EXEC mode.
Step 4	<b>show spanning-tree mst</b>	Verify your entries.
Step 5	<b>copy running-config startup-config</b>	(Optional) Save your entries in the configuration file.

To return the switch to its default setting, use the **no spanning-tree mst forward-time** global configuration command.

## Configuring the Maximum-Aging Time

Beginning in privileged EXEC mode, follow these steps to configure the maximum-aging time for all MST instances. This procedure is optional.

	Command	Purpose
Step 1	<b>configure terminal</b>	Enter global configuration mode.
Step 2	<b>spanning-tree mst max-age</b> <i>seconds</i>	Configure the maximum-aging time for all MST instances. The maximum-aging time is the number of seconds a switch waits without receiving spanning-tree configuration messages before attempting a reconfiguration.  For <i>seconds</i> , the range is 6 to 40; the default is 20.
Step 3	<b>end</b>	Return to privileged EXEC mode.
Step 4	<b>show spanning-tree mst</b>	Verify your entries.
Step 5	<b>copy running-config startup-config</b>	(Optional) Save your entries in the configuration file.

To return the switch to its default setting, use the **no spanning-tree mst max-age** global configuration command.

## Configuring the Maximum-Hop Count

Beginning in privileged EXEC mode, follow these steps to configure the maximum-hop count for all MST instances. This procedure is optional.

	Command	Purpose
Step 1	<b>configure terminal</b>	Enter global configuration mode.
Step 2	<b>spanning-tree mst max-hops</b> <i>hop-count</i>	Specify the number of hops in a region before the BPDU is discarded, and the information held for a port is aged.  For <i>hop-count</i> , the range is 1 to 255; the default is 20.
Step 3	<b>end</b>	Return to privileged EXEC mode.
Step 4	<b>show spanning-tree mst</b>	Verify your entries.
Step 5	<b>copy running-config startup-config</b>	(Optional) Save your entries in the configuration file.

To return the switch to its default setting, use the **no spanning-tree mst max-hops** global configuration command.

## Specifying the Link Type to Ensure Rapid Transitions

If you connect an STP port to another STP port through a point-to-point link and the local port becomes a designated port, the RSTP negotiates a rapid transition with the other port by using the proposal-agreement handshake to ensure a loop-free topology as described in the [“Rapid Convergence” section on page 16-10](#).

By default, the link type is controlled from the duplex mode of the interface: a full-duplex port is considered to have a point-to-point connection; a half-duplex port is considered to have a shared connection. If you have a half-duplex link physically connected point-to-point to a single port on a remote switch running MSTP, you can override the default setting of the link type and enable rapid transitions to the forwarding state.

Beginning in privileged EXEC mode, follow these steps to override the default link-type setting. This procedure is optional.

	Command	Purpose
Step 1	<b>configure terminal</b>	Enter global configuration mode.
Step 2	<b>interface</b> <i>interface-id</i>	Specify an interface to configure, and enter interface configuration mode. Valid interfaces include physical NNIs or ENIs with spanning tree enabled, VLANs, and NNI or ENI port channels. The VLAN ID range is 1 to 4094. The port-channel range is 1 to 48.  <b>Note</b> If a physical interface is a UNI, before attempting to configure MST port priority, you must enter the <b>port-type nni</b> interface configuration command or configure the port as an ENI and enable spanning tree on the port. See <a href="#">“Enabling Spanning Tree on an ENI” section on page 15-13</a> . If the interface is a VLAN, only ports with spanning tree enabled in the VLAN will run spanning tree. If the interface is a port channel, all members of the port channel must be NNIs or ENIs with spanning tree enabled.
Step 3	<b>spanning-tree link-type point-to-point</b>	Specify that the link type of a port is point-to-point.
Step 4	<b>end</b>	Return to privileged EXEC mode.
Step 5	<b>show spanning-tree mst interface</b> <i>interface-id</i>	Verify your entries.
Step 6	<b>copy running-config startup-config</b>	(Optional) Save your entries in the configuration file.

To return the port to its default setting, use the **no spanning-tree link-type** interface configuration command.

## Designating the Neighbor Type

A topology could contain both prestandard and IEEE 802.1s standard compliant devices. By default, ports can automatically detect prestandard devices, but they can still receive both standard and prestandard BPDUs. When there is a mismatch between a device and its neighbor, only the CIST runs on the interface.



You can choose to set a port to send only prestandard BPDUs. The prestandard flag appears in all the show commands, even if the port is in STP compatibility mode.

Beginning in privileged EXEC mode, follow these steps to override the default link-type setting. This procedure is optional.

	Command	Purpose
Step 1	<b>configure terminal</b>	Enter global configuration mode.
Step 2	<b>interface</b> <i>interface-id</i>	Specify an interface to configure, and enter interface configuration mode. Valid interfaces include physical NNIs or ENIs with spanning tree enabled, VLANs, and NNI or ENI port channels. The VLAN ID range is 1 to 4094. The port-channel range is 1 to 48.  <b>Note</b> If a physical interface is a UNI, before attempting to configure MST port priority, you must enter the <b>port-type nni</b> interface configuration command or configure the port as an ENI and enable spanning tree on the port. See <a href="#">“Enabling Spanning Tree on an ENI” section on page 15-13.</a> If the interface is a VLAN, only ports with spanning tree enabled in the VLAN will run spanning tree. If the interface is a port channel, all members of the port channel must be NNIs or ENIs with spanning tree enabled.
Step 3	<b>spanning-tree mst pre-standard</b>	Specify that the port can send only prestandard BPDUs.
Step 4	<b>end</b>	Return to privileged EXEC mode.
Step 5	<b>show spanning-tree mst interface</b> <i>interface-id</i>	Verify your entries.
Step 6	<b>copy running-config startup-config</b>	(Optional) Save your entries in the configuration file.

To return the port to its default setting, use the **no spanning-tree mst prestandard** interface configuration command.

## Restarting the Protocol Migration Process

A switch running MSTP supports a built-in protocol migration mechanism that enables it to interoperate with legacy 802.1D switches. If this switch receives a legacy 802.1D configuration BPDU (a BPDU with the protocol version set to 0), it sends only 802.1D BPDUs on that port. An MSTP switch also can detect that a port is at the boundary of a region when it receives a legacy BPDU, an MST BPDU (Version 3) associated with a different region, or an RST BPDU (Version 2).

However, the switch does not automatically revert to the MSTP mode if it no longer receives 802.1D BPDUs because it cannot detect whether the legacy switch has been removed from the link unless the legacy switch is the designated switch. A switch also might continue to assign a boundary role to a port when the switch to which it is connected has joined the region.

To restart the protocol migration process (force the renegotiation with neighboring switches) on the switch, use the **clear spanning-tree detected-protocols** privileged EXEC command.

To restart the protocol migration process on a specific interface, use the **clear spanning-tree detected-protocols interface** *interface-id* privileged EXEC command.

## Displaying the MST Configuration and Status

To display the spanning-tree status, use one or more of the privileged EXEC commands in [Table 16-5](#):

**Table 16-5**      *Commands for Displaying MST Status*

Command	Purpose
<b>show spanning-tree mst configuration</b>	Displays the MST region configuration.
<b>show spanning-tree mst configuration digest</b>	Displays the MD5 digest included in the current MSTCI.
<b>show spanning-tree mst <i>instance-id</i></b>	Displays MST information for the specified instance.
<b>show spanning-tree mst interface <i>interface-id</i></b>	Displays MST information for the specified interface.

For information about other keywords for the **show spanning-tree** privileged EXEC command, see the command reference for this release.



# CHAPTER 17

## Configuring Optional Spanning-Tree Features

---

This chapter describes how to configure optional spanning-tree features on the Cisco ME 3400E Ethernet Access switch. You can configure all of these features when your switch is running per-VLAN spanning-tree plus (PVST+). You can configure only the noted features when your switch is running the Multiple Spanning Tree Protocol (MSTP) or the rapid per-VLAN spanning-tree plus (rapid-PVST+) protocol. On the Cisco ME switch, STP is enabled by default on network node interfaces (NNIs). It is disabled by default, but can be enabled, on enhanced network interfaces (ENIs). User network interfaces (UNIs) on the switch do not participate in STP. UNIs and ENIs on which STP is not enabled immediately forward traffic when they are brought up.

For information on configuring the PVST+ and rapid PVST+, see [Chapter 15, “Configuring STP.”](#) For information about the Multiple Spanning Tree Protocol (MSTP) and how to map multiple VLANs to the same spanning-tree instance, see [Chapter 16, “Configuring MSTP.”](#)



### Note

For complete syntax and usage information for the commands used in this chapter, see the command reference for this release.

---

- [Understanding Optional Spanning-Tree Features, page 17-1](#)
- [Configuring Optional Spanning-Tree Features, page 17-5](#)
- [Displaying the Spanning-Tree Status, page 17-11](#)

## Understanding Optional Spanning-Tree Features

- [Understanding Port Fast, page 17-2](#)
- [Understanding BPDU Guard, page 17-3](#)
- [Understanding BPDU Filtering, page 17-3](#)
- [Understanding EtherChannel Guard, page 17-3](#)
- [Understanding Root Guard, page 17-4](#)
- [Understanding Loop Guard, page 17-5](#)

## Understanding Port Fast

Port Fast immediately brings an STP port configured as an access or trunk port to the forwarding state from a blocking state, bypassing the listening and learning states.



### Note

By default, STP is enabled on NNIs and disabled on ENIs. UNIs do not support STP. If a port is a UNI, you can configure it as an STP port by changing the port type to NNI or ENI and entering the **port-type {nni | eni}** interface configuration command. For ENIs, you then need to enter the **spanning-tree** interface configuration command to configure the port as an STP port.

You can use Port Fast on STP ports connected to a single workstation or server, as shown in [Figure 17-1](#), to allow those devices to immediately connect to the network, rather than waiting for the spanning tree to converge.

STP ports connected to a single workstation or server should not receive bridge protocol data units (BPDUs). An STP port with Port Fast enabled goes through the normal cycle of spanning-tree status changes when the switch is restarted.



### Note

Because the purpose of Port Fast is to minimize the time interfaces must wait for spanning tree to converge, it is effective only when used on STP ports connected to end stations. If you enable Port Fast on an interface connecting to another switch, you risk creating a spanning-tree loop.

UNIs are typically customer-facing ports and do not participate in the spanning tree of the service provider. However, if you configure a customer-facing port as an ENI and enable spanning tree, the ENI could become the spanning tree root port unless you configure root guard on the port. See the [“Understanding Root Guard”](#) section on [page 17-4](#). A customer-facing ENI with STP enabled participates in the same spanning tree as the service-provider facing NNI.

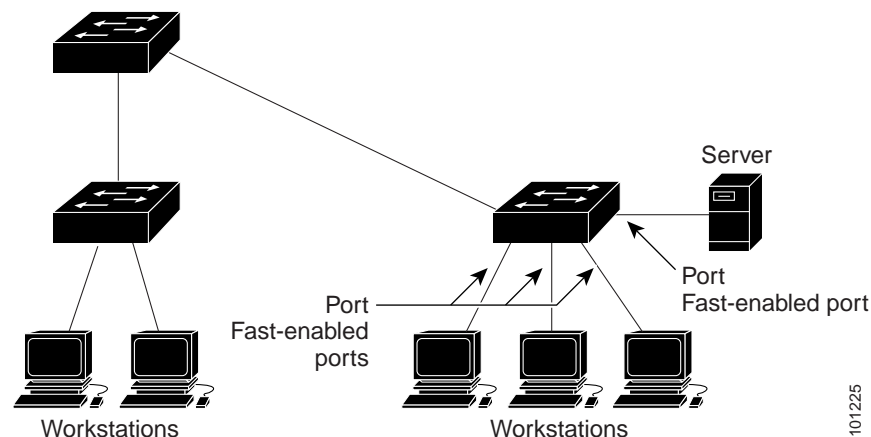


### Note

Exercise caution when enabling STP on a customer-facing ENI.

You can enable this feature by using the **spanning-tree portfast** interface configuration or the **spanning-tree portfast default** global configuration command.

**Figure 17-1** Port Fast-Enabled Interfaces



101225

## Understanding BPDU Guard

The BPDU guard feature can be globally enabled on the switch or can be enabled per interface, but the feature operates with some differences.

At the global level, you enable BPDU guard on Port Fast-enabled STP ports by using the **spanning-tree portfast bpduguard default** global configuration command. Spanning tree shuts down STP ports that are in a Port Fast-operational state if any BPDU is received on those ports. In a valid configuration, Port Fast-enabled STP ports do not receive BPDUs. Receiving a BPDU on a Port Fast-enabled port signals an invalid configuration, such as the connection of an unauthorized device, and the BPDU guard feature puts the interface in the error-disabled state.

At the interface level, you enable BPDU guard on any STP port by using the **spanning-tree bpduguard enable** interface configuration command without also enabling the Port Fast feature. When the STP port receives a BPDU, it is put in the error-disabled state.

The BPDU guard feature provides a secure response to invalid configurations because you must manually put the interface back in service. Use the BPDU guard feature in a service-provider network to prevent an access port from participating in the spanning tree.

You can enable the BPDU guard feature for the entire switch or for an interface.

## Understanding BPDU Filtering

The BPDU filtering feature can be globally enabled on the switch or can be enabled per interface, but the feature operates with some differences.

At the global level, you can enable BPDU filtering on Port Fast-enabled STP ports by using the **spanning-tree portfast bpdufilter default** global configuration command. This command prevents interfaces that are in a Port Fast-operational state from sending or receiving BPDUs. The interfaces still send a few BPDUs at link-up before the switch begins to filter outbound BPDUs. You should globally enable BPDU filtering on a switch so that hosts connected to these ports do not receive BPDUs. If a BPDU is received on a Port Fast-enabled STP port, the interface loses its Port Fast-operational status, and BPDU filtering is disabled.

At the interface level, you can enable BPDU filtering on any STP port by using the **spanning-tree bpdufilter enable** interface configuration command without also enabling the Port Fast feature. This command prevents the interface from sending or receiving BPDUs.



### Caution

---

Enabling BPDU filtering on an STP port is the same as disabling spanning tree on it and can result in spanning-tree loops.

---

You can enable the BPDU filtering feature for the entire switch or for an STP port.

## Understanding EtherChannel Guard

You can use EtherChannel guard to detect an EtherChannel misconfiguration between the switch and a connected device. A misconfiguration can occur if the switch STP ports are configured in an EtherChannel, but the interfaces on the other device are not. A misconfiguration can also occur if the channel parameters are not the same at both ends of the EtherChannel. For EtherChannel configuration guidelines, see the [“EtherChannel Configuration Guidelines” section on page 35-10](#).

If the switch detects a misconfiguration on the other device, EtherChannel guard places the switch STP ports in the error-disabled state, and displays an error message.

You can enable this feature by using the **spanning-tree etherchannel guard misconfig** global configuration command.

## Understanding Root Guard

The Layer 2 network of a service provider (SP) can include many connections to switches that are not owned by the SP. In such a topology, the spanning tree can reconfigure itself and select a *customer switch* as the root switch, as shown in [Figure 17-2](#). You can avoid this situation by enabling root guard on SP switch interfaces that connect to switches in your customer's network. If spanning-tree calculations cause an interface in the customer network to be selected as the root port, root guard then places the interface in the root-inconsistent (blocked) state to prevent the customer's switch from becoming the root switch or being in the path to the root.

If a switch outside the SP network becomes the root switch, the interface is blocked (root-inconsistent state), and spanning tree selects a new root switch. The customer's switch does not become the root switch and is not in the path to the root.

If the switch is operating in multiple spanning-tree (MST) mode, root guard forces the interface to be a designated port. If a boundary port is blocked in an internal spanning-tree (IST) instance because of root guard, the interface also is blocked in all MST instances. A boundary port is an interface that connects to a LAN, the designated switch of which is either an 802.1D switch or a switch with a different MST region configuration.

Root guard enabled on an interface applies to all the VLANs to which the interface belongs. VLANs can be grouped and mapped to an MST instance.

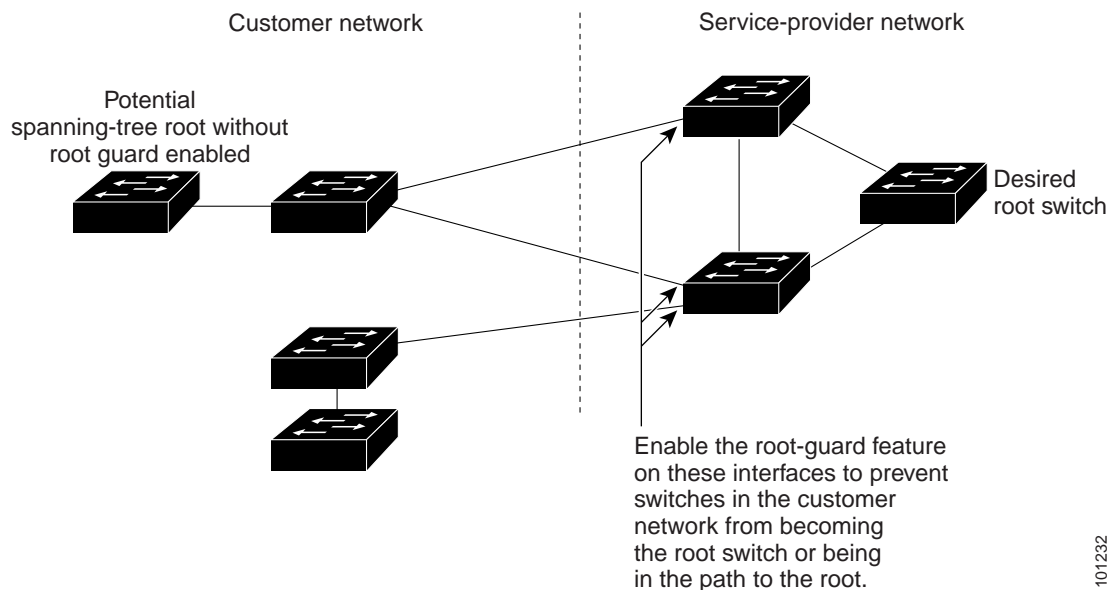
You can enable this feature by using the **spanning-tree guard root** interface configuration command.



### Caution

Misuse of the root-guard feature can cause a loss of connectivity.

**Figure 17-2** Root Guard in a Service-Provider Network



101232

## Understanding Loop Guard

You can use loop guard to prevent alternate or root ports from becoming designated ports because of a failure that leads to a unidirectional link. This feature is most effective when it is enabled on the entire switched network. Loop guard prevents alternate and root ports from becoming designated ports, and spanning tree does not send BPDUs on root or alternate ports.

You can enable this feature by using the **spanning-tree loopguard default** global configuration command.

When the switch is operating in PVST+ or rapid-PVST+ mode, loop guard prevents alternate and root ports from becoming designated ports, and spanning tree does not send BPDUs on root or alternate ports.

When the switch is operating in MST mode, BPDUs are not sent on nonboundary ports only if the interface is blocked by loop guard in all MST instances. On a boundary port, loop guard blocks the interface in all MST instances.

## Configuring Optional Spanning-Tree Features

- [Default Optional Spanning-Tree Configuration, page 17-5](#)
- [Optional Spanning-Tree Configuration Guidelines, page 17-6](#)
- [Enabling Port Fast, page 17-6 \(optional\)](#)
- [Enabling BPDU Guard, page 17-7 \(optional\)](#)
- [Enabling BPDU Filtering, page 17-8 \(optional\)](#)
- [Enabling EtherChannel Guard, page 17-9 \(optional\)](#)
- [Enabling Root Guard, page 17-10 \(optional\)](#)
- [Enabling Loop Guard, page 17-10 \(optional\)](#)

## Default Optional Spanning-Tree Configuration

[Table 17-1](#) shows the default optional spanning-tree configuration. Only NNIs or ENIs with STP enabled participate in STP on the switch. UNIs and ENIs that have not been configured for STP are always in the forwarding state.

**Table 17-1** *Default Optional Spanning-Tree Configuration*

Feature	Default Setting
Port Fast, BPDU filtering, BPDU guard	Globally disabled (unless they are individually configured per STP port).
EtherChannel guard	Globally enabled.
Root guard	Disabled on all STP ports.
Loop guard	Disabled on all STP ports.

## Optional Spanning-Tree Configuration Guidelines

You can configure PortFast, BPDU guard, BPDU filtering, EtherChannel guard, root guard, or loop guard if your switch is running PVST+, rapid PVST+, or MSTP.

Optional spanning-tree configuration commands are not supported on UNIs or on ENIs on which STP has not been enabled.

## Enabling Port Fast

An STP port with the Port Fast feature enabled is moved directly to the spanning-tree forwarding state without waiting for the standard forward-time delay.




### Caution

Use Port Fast *only* when connecting a single end station to an access or trunk port. Enabling this feature on an interface connected to a switch or hub could prevent spanning tree from detecting and disabling loops in your network, which could cause broadcast storms and address-learning problems.

You can enable this feature if your switch is running PVST+, rapid PVST+, or MSTP.

Beginning in privileged EXEC mode, follow these steps to enable Port Fast. This procedure is optional.

	Command	Purpose
Step 1	<b>configure terminal</b>	Enter global configuration mode.
Step 2	<b>interface</b> <i>interface-id</i>	Specify an STP interface to configure, and enter interface configuration mode.  If the interface is a UNI, before you enable Port Fast, you must change the port type to NNI or ENI to enable STP: <ul style="list-style-type: none"> <li>• Enter the <b>port-type nni</b> interface configuration command to change the port to an NNI with STP enabled by default.</li> <li>• Or enter the <b>port-type eni</b> and <b>spanning-tree</b> interface configuration commands to configure the port as an ENI STP port.</li> </ul>
Step 3	<b>spanning-tree portfast</b> [ <b>trunk</b> ]	Enable Port Fast on an access port connected to a single workstation or server. By specifying the <b>trunk</b> keyword, you can enable Port Fast on a trunk port.  <b>Note</b> To enable Port Fast on trunk ports, you must use the <b>spanning-tree portfast trunk</b> interface configuration command. The <b>spanning-tree portfast</b> command does not work on trunk ports.   <b>Caution</b> Make sure that there are no loops in the network between the trunk port and the workstation or server before you enable Port Fast on a trunk port.
Step 4	<b>end</b>	Return to privileged EXEC mode.  By default, Port Fast is disabled on all STP ports.



	Command	Purpose
Step 5	<b>show spanning-tree interface</b> <i>interface-id portfast</i>	Verify your entries.
Step 6	<b>copy running-config startup-config</b>	(Optional) Save your entries in the configuration file.



**Note** You can use the **spanning-tree portfast default** global configuration command to globally enable the Port Fast feature on all nontrunking STP ports.

To disable the Port Fast feature, use the **spanning-tree portfast disable** interface configuration command.

## Enabling BPDU Guard

When you globally enable BPDU guard on ports that are Port Fast-enabled (the ports are in a Port Fast-operational state), spanning tree continues to run on the ports. They remain up unless they receive a BPDU.

In a valid configuration, Port Fast-enabled interfaces do not receive BPDUs. Receiving a BPDU on a Port Fast-enabled interface signals an invalid configuration, such as the connection of an unauthorized device, and the BPDU guard feature puts the interface in the error-disabled state. The BPDU guard feature provides a secure response to invalid configurations because you must manually put the interface back in service. Use the BPDU guard feature in a service-provider network to prevent an access port from participating in the spanning tree.



**Caution** Configure Port Fast only on STP ports that connect to end stations; otherwise, an accidental topology loop could cause a data packet loop and disrupt switch and network operation.

You also can use the **spanning-tree bpduguard enable** interface configuration command to enable BPDU guard on any STP port without also enabling the Port Fast feature. When the interface receives a BPDU, it is put in the error-disabled state.

You can enable the BPDU guard feature if your switch is running PVST+, rapid PVST+, or MSTP.

Beginning in privileged EXEC mode, follow these steps to globally enable the BPDU guard feature. This procedure is optional.

	Command	Purpose
Step 1	<b>configure terminal</b>	Enter global configuration mode.
Step 2	<b>spanning-tree portfast bpduguard default</b>	Globally enable BPDU guard. (By default, BPDU guard is disabled.)  <b>Note</b> Globally enabling BPDU guard enables it only on STP ports; the command has no effect on ports that are not running STP.

	Command	Purpose
Step 3	<b>interface</b> <i>interface-id</i>	Specify the interface connected to an end station, and enter interface configuration mode.  If the interface is a UNI, before you enable Port Fast, you must change the port type to NNI or ENI to enable STP: <ul style="list-style-type: none"> <li>• Enter the <b>port-type nni</b> interface configuration command to change the port to an NNI with STP enabled by default.</li> <li>• Or enter the <b>port-type eni</b> and <b>spanning-tree</b> interface configuration commands to configure the port as an ENI STP port.</li> </ul>
Step 4	<b>spanning-tree portfast</b>	Enable the Port Fast feature.
Step 5	<b>end</b>	Return to privileged EXEC mode.
Step 6	<b>show running-config</b>	Verify your entries.
Step 7	<b>copy running-config startup-config</b>	(Optional) Save your entries in the configuration file.

To disable BPDU guard, use the **no spanning-tree portfast bpduguard default** global configuration command.

You can override the setting of the **no spanning-tree portfast bpduguard default** global configuration command by using the **spanning-tree bpduguard enable** interface configuration command on an STP port.

## Enabling BPDU Filtering

When you globally enable BPDU filtering on Port Fast-enabled STP ports, it prevents interfaces that are in a Port Fast-operational state from sending or receiving BPDUs. The interfaces still send a few BPDUs at link-up before the switch begins to filter outbound BPDUs. You should globally enable BPDU filtering on a switch so that hosts connected to these interfaces do not receive BPDUs. If a BPDU is received on a Port Fast-enabled STP port, the interface loses its Port Fast-operational status, and BPDU filtering is disabled.



### Caution

Configure Port Fast only on STP ports that connect to end stations; otherwise, an accidental topology loop could cause a data packet loop and disrupt switch and network operation.

You can also use the **spanning-tree bpdupfilter enable** interface configuration command to enable BPDU filtering on any STP port without also enabling the Port Fast feature. This command prevents the STP port from sending or receiving BPDUs.



### Caution

Enabling BPDU filtering on an STP port is the same as disabling spanning tree on it and can result in spanning-tree loops.

You can enable the BPDU filtering feature if your switch is running PVST+, rapid PVST+, or MSTP.

Beginning in privileged EXEC mode, follow these steps to globally enable the BPDU filtering feature. This procedure is optional.

	Command	Purpose
Step 1	<b>configure terminal</b>	Enter global configuration mode.
Step 2	<b>spanning-tree portfast bpdupfilter default</b>	Globally enable BPDU filtering. (By default, BPDU filtering is disabled.)  <b>Note</b> Globally enabling BPDU filtering enables it only on STP ports; the command has no effect on UNIs or ENIs on which STP is not enabled.
Step 3	<b>interface</b> <i>interface-id</i>	Specify the interface connected to an end station, and enter interface configuration mode.  If the interface is a UNI, before you enable Port Fast, you must change the port type to NNI or ENI to enable STP: <ul style="list-style-type: none"> <li>• Enter the <b>port-type nni</b> interface configuration command to change the port to an NNI with STP enabled by default.</li> <li>• Or enter the <b>port-type eni</b> and <b>spanning-tree</b> interface configuration commands to configure the port as an ENI STP port.</li> </ul>
Step 4	<b>spanning-tree portfast</b>	Enable the Port Fast feature.
Step 5	<b>end</b>	Return to privileged EXEC mode.
Step 6	<b>show running-config</b>	Verify your entries.
Step 7	<b>copy running-config startup-config</b>	(Optional) Save your entries in the configuration file.

To disable BPDU filtering, use the **no spanning-tree portfast bpdupfilter default** global configuration command.

You can override the setting of the **no spanning-tree portfast bpdupfilter default** global configuration command by using the **spanning-tree bpdupfilter enable** interface configuration command on an STP port.

## Enabling EtherChannel Guard

You can enable EtherChannel guard to detect an EtherChannel misconfiguration if your switch is running PVST+, rapid PVST+, or MSTP.

Beginning in privileged EXEC mode, follow these steps to enable EtherChannel guard. This procedure is optional.

	Command	Purpose
Step 1	<b>configure terminal</b>	Enter global configuration mode.
Step 2	<b>spanning-tree etherchannel guard misconfig</b>	Enable EtherChannel guard.
Step 3	<b>end</b>	Return to privileged EXEC mode.
Step 4	<b>show spanning-tree summary</b>	Verify your entries.
Step 5	<b>copy running-config startup-config</b>	(Optional) Save your entries in the configuration file.

To disable the EtherChannel guard feature, use the **no spanning-tree etherchannel guard misconfig** global configuration command.

You can use the **show interfaces status err-disabled** privileged EXEC command to show which switch STP ports are disabled because of an EtherChannel misconfiguration. On the remote device, you can enter the **show etherchannel summary** privileged EXEC command to verify the EtherChannel configuration.

After the configuration is corrected, enter the **shutdown** and **no shutdown** interface configuration commands on the port-channel interfaces that were misconfigured.

## Enabling Root Guard

Root guard enabled on an STP port applies to all the VLANs to which the port belongs.



### Note

You cannot enable both root guard and loop guard at the same time.

You can enable this feature if your switch is running PVST+, rapid PVST+, or MSTP.

Beginning in privileged EXEC mode, follow these steps to enable root guard on an interface. This procedure is optional.

	Command	Purpose
Step 1	<b>configure terminal</b>	Enter global configuration mode.
Step 2	<b>interface</b> <i>interface-id</i>	Specify an interface to configure, and enter interface configuration mode. If the interface is a UNI, before you enable root guard, you must change the port type to NNI or ENI to enable STP: <ul style="list-style-type: none"> <li>Enter the <b>port-type nni</b> interface configuration command to change the port to an NNI with STP enabled by default.</li> <li>Or enter the <b>port-type eni</b> and <b>spanning-tree</b> interface configuration commands to configure the port as an ENI STP port.</li> </ul>
Step 3	<b>spanning-tree guard root</b>	Enable root guard on the STP port. By default, root guard is disabled on all interfaces.
Step 4	<b>end</b>	Return to privileged EXEC mode.
Step 5	<b>show running-config</b>	Verify your entries.
Step 6	<b>copy running-config startup-config</b>	(Optional) Save your entries in the configuration file.

To disable root guard, use the **no spanning-tree guard** interface configuration command.

## Enabling Loop Guard

You can use loop guard to prevent alternate or root ports from becoming designated ports because of a failure that leads to a unidirectional link. This feature is most effective when it is configured on the entire switched network. Loop guard operates only on STP ports that are considered point-to-point by the spanning tree.



**Note** You cannot enable both loop guard and root guard at the same time.

You can enable this feature if your switch is running PVST+, rapid PVST+, or MSTP.

Beginning in privileged EXEC mode, follow these steps to enable loop guard. This procedure is optional.

	Command	Purpose
Step 1	<b>show spanning-tree active</b> or <b>show spanning-tree mst</b>	Verify which interfaces are alternate or root ports.
Step 2	<b>configure terminal</b>	Enter global configuration mode.
Step 3	<b>spanning-tree loopguard default</b>	Enable loop guard. By default, loop guard is disabled.
Step 4	<b>end</b>	Return to privileged EXEC mode.
Step 5	<b>show running-config</b>	Verify your entries.
Step 6	<b>copy running-config startup-config</b>	(Optional) Save your entries in the configuration file.

To globally disable loop guard, use the **no spanning-tree loopguard default** global configuration command. You can override the setting of the **no spanning-tree loopguard default** global configuration command by using the **spanning-tree guard loop** interface configuration command on an NNI.

## Displaying the Spanning-Tree Status

To display the spanning-tree status, use one or more of the privileged EXEC commands in [Table 17-2](#):

**Table 17-2** Commands for Displaying the Spanning-Tree Status

Command	Purpose
<b>show spanning-tree active</b>	Displays spanning-tree information on active interfaces only.
<b>show spanning-tree detail</b>	Displays a detailed summary of interface information.
<b>show spanning-tree interface <i>interface-id</i></b>	Displays spanning-tree information for the specified interface.
<b>show spanning-tree mst interface <i>interface-id</i></b>	Displays MST information for the specified interface.
<b>show spanning-tree summary [totals]</b>	Displays a summary of interface states or displays the total lines of the spanning-tree state section.

You can clear spanning-tree counters by using the **clear spanning-tree [interface *interface-id*]** privileged EXEC command.

For information about other keywords for the **show spanning-tree** privileged EXEC command, see the command reference for this release.

■ Displaying the Spanning-Tree Status



# CHAPTER 18

## Configuring Resilient Ethernet Protocol

---

This chapter describes how to use Resilient Ethernet Protocol (REP) on the Cisco ME 3400E Ethernet Access switch. REP is a Cisco proprietary protocol that provides an alternative to Spanning Tree Protocol (STP) to control network loops, to respond to link failures, and to improve convergence time. REP controls a group of ports connected in a segment, ensures that the segment does not create any bridging loops, and responds to link failures within the segment. REP provides a basis for constructing more complex networks and supports VLAN load balancing.

This chapter includes these sections:

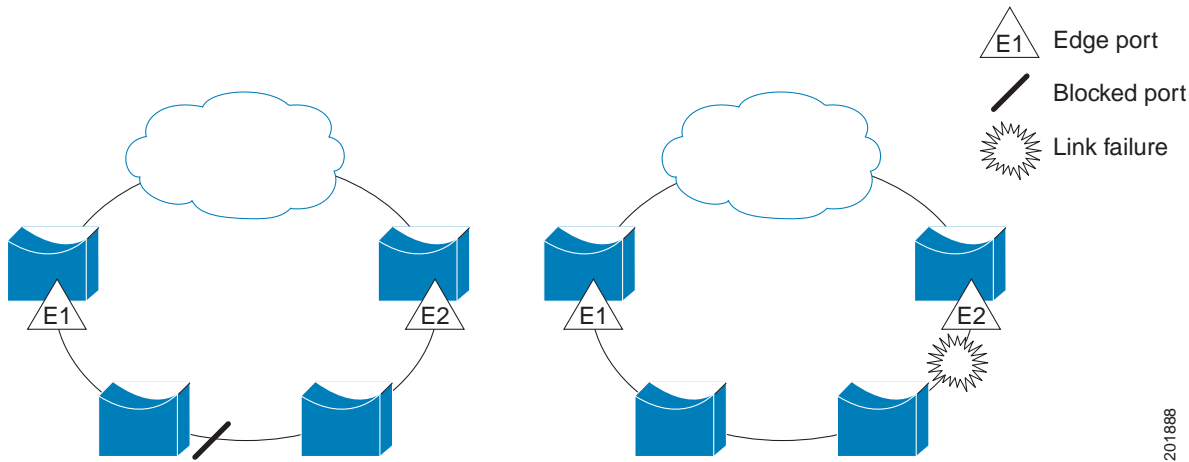
- [Understanding REP, page 18-1](#)
- [Configuring REP, page 18-6](#)
- [Monitoring REP, page 18-14](#)

### Understanding REP

A REP segment is a chain of ports connected to each other and configured with a segment ID. Each segment consists of standard (nonedge) segment ports and two user-configured edge ports. A switch can have only two ports belonging to the same segment, and each segment port can have only one external neighbor. A segment can go through a shared medium, but on any link, only two ports can belong to the same segment. REP is supported only on Layer 2 trunk interfaces.

[Figure 18-1](#) shows an example of a segment consisting of six ports spread across four switches. Ports E1 and E2 are configured as edge ports. When all ports are operational (as in the segment on the left), a single port is blocked, shown by the diagonal line. When there is a network failure, as shown in the diagram on the right, the blocked port returns to the forwarding state to minimize network disruption.

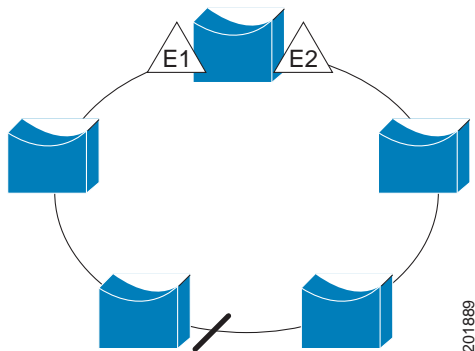
Figure 18-1 REP Open Segments



The segment shown in Figure 18-1 is an open segment; there is no connectivity between the two edge ports. The REP segment cannot cause a bridging loop, and you can safely connect the segment edges to any network. All hosts connected to switches inside the segment have two possible connections to the rest of the network through the edge ports, but only one connection is accessible at any time. If a host cannot access its usual gateway because of a failure, REP unblocks all ports to ensure that connectivity is available through the other gateway.

The segment shown in Figure 18-2, with both edge ports located on the same switch, is a ring segment. In this configuration, there is connectivity between the edge ports through the segment. With this configuration, you can create a redundant connection between any two switches in the segment.

Figure 18-2 REP Ring Segment



REP segments have these characteristics:

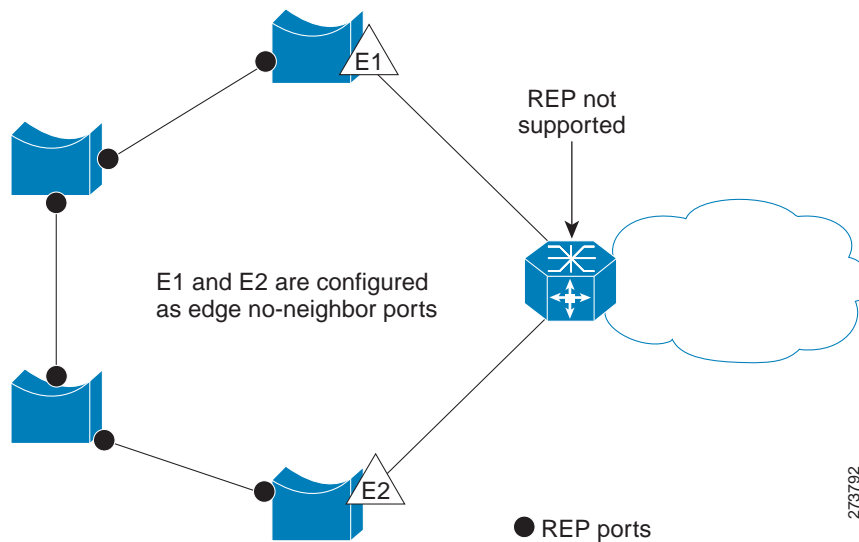
- If all ports in the segment are operational, one port (referred to as the *alternate* port) is in the blocked state for each VLAN.
- If VLAN load balancing is configured, two ports in the segment control the blocked state of VLANs.
- If one or more ports in a segment is not operational, causing a link failure, all ports forward traffic on all VLANs to ensure connectivity.
- In case of a link failure, the alternate ports are unblocked as quickly as possible. When the failed link comes back up, a logically blocked port per VLAN is selected with minimal disruption to the network.



You can construct almost any type of network based on REP segments. REP also supports VLAN load-balancing, controlled by the primary edge port but occurring at any port in the segment.

In access ring topologies, the neighboring switch might not support REP, as shown in [Figure 18-3](#). In this case, you can configure the non-REP facing ports (E1 and E2) as edge no-neighbor ports. These ports inherit all properties of edge ports, and you can configure them the same as any edge port, including configuring them to send STP or REP topology change notices to the aggregation switch. In this case the STP topology change notice (TCN) that is sent is a multiple spanning-tree (MST) STP message.

**Figure 18-3** Edge No-Neighbor Ports



REP has these limitations:

- You must configure each segment port; an incorrect configuration can cause forwarding loops in the networks.
- REP can manage only a single failed port within the segment; multiple port failures within the REP segment cause loss of network connectivity.
- You should configure REP only in networks with redundancy. Configuring REP in a network without redundancy causes loss of connectivity.

## Link Integrity

REP does not use an end-to-end polling mechanism between edge ports to verify link integrity. It implements local link failure detection. The REP Link Status Layer (LSL) detects its REP-aware neighbor and establishes connectivity within the segment. All VLANs are blocked on an interface until it detects the neighbor. After the neighbor is identified, REP determines which neighbor port should become the alternate port and which ports should forward traffic.

Each port in a segment has a unique port ID. The port ID format is similar to that used by the spanning tree algorithm: a port number (unique on the bridge), associated to a MAC address (unique in the network). When a segment port is coming up, its LSL starts sending packets that include the segment ID and the port ID. The port is declared operational after it performs a three-way handshake with a neighbor in the same segment.

A segment port does not become operational if:

- No neighbor has the same segment ID.
- More than one neighbor has the same segment ID.
- The neighbor does not acknowledge the local port as a peer.

Each port creates an adjacency with its immediate neighbor. After the neighbor adjacencies are created, the ports negotiate to determine one blocked port for the segment, the alternate port. All other ports become unblocked. By default, REP packets are sent to a BPDU class MAC address. The packets can also be sent to the Cisco multicast address, which is used only to send blocked port advertisement (BPA) messages when there is a failure in the segment. The packets are dropped by devices not running REP.

## Fast Convergence

Because REP runs on a physical link basis and not a per-VLAN basis, only one hello message is required for all VLANs, reducing the load on the protocol. We recommend that you create VLANs consistently on all switches in a given segment and configure the same allowed VLANs on the REP trunk ports. To avoid the delay introduced by relaying messages in software, REP also allows some packets to be flooded to a regular multicast address. These messages operate at the hardware flood layer (HFL) and are flooded to the whole network, not just the REP segment. Switches that do not belong to the segment treat them as data traffic. You can control flooding of these messages by configuring a dedicated administrative VLAN for the whole domain.

The estimated convergence recovery time on fiber interfaces is less than 200 ms for the local segment with 200 VLANs configured. Convergence for VLAN load balancing is 300 ms or less.

## VLAN Load Balancing

One edge port in the REP segment acts as the primary edge port; the other as the secondary edge port. The primary edge port always participates in VLAN load balancing in the segment. REP VLAN balancing is achieved by blocking some VLANs at a configured alternate port and all other VLANs at the primary edge port. When you configure VLAN load balancing, you can specify the alternate port in one of three ways:

- Enter the port ID of the interface. To identify the port ID of a port in the segment, enter the **show interface rep detail** interface configuration command for the port.
- Enter the neighbor offset number of a port in the segment, which identifies the downstream neighbor port of an edge port. The neighbor offset number range is  $-256$  to  $+256$ ; a value of 0 is invalid. The primary edge port has an offset number of 1; positive numbers above 1 identify downstream neighbors of the primary edge port. Negative numbers identify the secondary edge port (offset number -1) and its downstream neighbors.

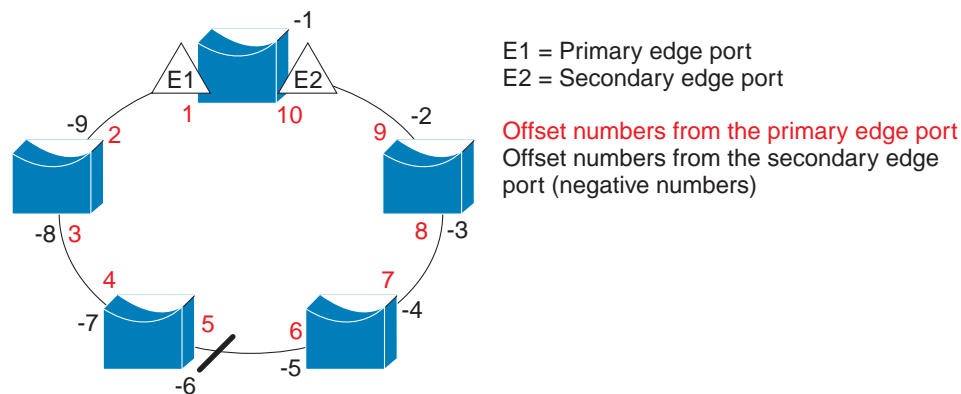


**Note** You configure offset numbers on the primary edge port by identifying the downstream position from the primary (or secondary) edge port. You would never enter an offset value of 1 because that is the offset number of the primary edge port itself.

Figure 18-4 shows neighbor offset numbers for a segment where E1 is the primary edge port and E2 is the secondary edge port. The red numbers inside the ring are numbers offset from the primary edge port; the black numbers outside the ring show the offset numbers from the secondary edge port. Note that you can identify all ports (except the primary edge port) by either a positive offset number (downstream position from the primary edge port) or a negative offset number (downstream position from the secondary edge port). If E2 became the primary edge port, its offset number would then be 1, and E1 would be -1.

- By entering the **preferred** keyword to select the port that you previously configured as the preferred alternate port with the **rep segment segment-id preferred** interface configuration command.

Figure 18-4 Neighbor Offset Numbers in a Segment



When the REP segment is complete, all VLANs are blocked. When you configure VLAN load balancing, you must also configure triggers in one of two ways:

- Manually trigger VLAN load balancing at any time by entering the **rep preempt segment segment-id** privileged EXEC command on the switch that has the primary edge port.
- Configure a preempt delay time by entering the **rep preempt delay seconds** interface configuration command. After a link failure and recovery, VLAN load balancing begins after the configured preemption time period elapses. Note that the delay timer restarts if another port fails before the time has elapsed.



Note

When VLAN load balancing is configured, it does not start working until triggered by either manual intervention or a link failure and recovery.

When VLAN load balancing is triggered, the primary edge port sends a message to alert all interfaces in the segment about the preemption. When the secondary port receives the message, it is reflected into the network to notify the alternate port to block the set of VLANs specified in the message and to notify the primary edge port to block the remaining VLANs.

You can also configure a particular port in the segment to block all VLANs. Only the primary edge port initiates VLAN load balancing, which is not possible if the segment is not terminated by an edge port on each end. The primary edge port determines the local VLAN load balancing configuration.

Reconfigure the primary edge port to reconfigure load balancing. When you change the load balancing configuration, the primary edge port again waits for the **rep preempt segment** command or for the configured preempt delay period after a port failure and recovery before executing the new configuration. If you change an edge port to a regular segment port, the existing VLAN load balancing status does not change. Configuring a new edge port might cause a new topology configuration.

## Spanning Tree Interaction

REP does not interact with STP or with the Flex Link feature, but can coexist with both. A port that belongs to a segment is removed from spanning tree control and STP BPDUs are not accepted or sent from segment ports.

To migrate from an STP ring configuration to REP segment configuration, begin by configuring a single port in the ring as part of the segment, and continue by configuring contiguous ports to minimize the number of segments. Each segment always contains a blocked port, so multiple segments means multiple blocked ports and a potential loss of connectivity. When the segment has been configured in both directions to the edge ports, you then configure the edge ports.

## REP Ports

Ports in REP segments are Failed, Open, or Alternate.

- A port configured as a regular segment port starts as a failed port.
- After the neighbor adjacencies are determined, the port changes to alternate port state, blocking all VLANs on the interface. Blocked port negotiations occur and when the segment settles, one blocked port remains in the alternate role, and all other ports become open ports.
- When a failure occurs in a link, all ports move to the open state. When the alternate port receives the failure notification, it changes to the open state, forwarding all VLANs.

A regular segment port converted to an edge port, or an edge port converted to a regular segment port, does not always result in a topology change. If you convert an edge port into a regular segment port, VLAN load balancing is not implemented unless it has been configured. For VLAN load balancing, you must configure two edge ports in the segment.

A segment port that is reconfigured as a spanning tree port restarts according the spanning tree configuration. By default, this is a designated blocking port. If PortFast is configured or if STP is disabled, the port goes into the forwarding state.

## Configuring REP

A segment is a collection of ports connected one to the other in a chain and configured with a segment ID. To configure REP segments, you configure the REP administrative VLAN (or use the default VLAN 1) and then add the ports to the segment using interface configuration mode. You should configure two edge ports in the segment, one as the primary edge port and the other, by default, the secondary edge port. A segment has only one primary edge port. If you configure two ports in a segment as the primary edge port, for example ports on different switches, the REP selects one to serve as the segment primary edge port. You can also optionally configure where to send segment topology change notices (STCNs) and VLAN load balancing messages.

- [Default REP Configuration, page 18-7](#)
- [REP Configuration Guidelines, page 18-7](#)
- [Configuring the REP Administrative VLAN, page 18-8](#)
- [Configuring REP Interfaces, page 18-9](#)
- [Setting Manual Preemption for VLAN Load Balancing, page 18-13](#)
- [Configuring SNMP Traps for REP, page 18-13](#)

## Default REP Configuration

REP is disabled on all interfaces. When enabled, the interface is a regular segment port unless it is configured as an edge port.

When REP is enabled, the sending of segment topology change notices (STCNs) is disabled, all VLANs are blocked, and the administrative VLAN is VLAN 1.

When VLAN load balancing is enabled, the default is manual preemption with the delay timer disabled. If VLAN load balancing is not configured, the default after manual preemption is to block all VLANs at the primary edge port.

## REP Configuration Guidelines

Follow these guidelines when configuring REP:

- We recommend that you begin by configuring one port and then configure the contiguous ports to minimize the number of segments and the number of blocked ports.
- If more than two ports in a segment fail when no external neighbors are configured, one port goes into a forwarding state for the data path to help maintain connectivity during configuration. In the **show rep interface** privileged EXEC command output, the Port Role for this port shows as *Fail Logical Open*; the Port Role for the other failed port shows as *Fail No Ext Neighbor*. When the external neighbors for the failed ports are configured, the ports go through the alternate port state transitions and eventually go to an open state or remain as the alternate port, based on the alternate port election mechanism.
- REP ports must be Layer 2 trunk ports.
- Be careful when configuring REP through a Telnet connection. Because REP blocks all VLANs until another REP interface sends a message to unblock the VLAN, you might lose connectivity to the switch if you enable REP in a Telnet session that accesses the switch through the REP interface.
- You cannot run REP and STP or REP and Flex Links on the same segment or interface.
- If you connect an STP network to the REP segment, be sure that the connection is at the segment edge. An STP connection that is not at the edge could cause a bridging loop because STP does not run on REP segments. All STP BPDUs are dropped at REP interfaces.
- You must configure all trunk ports in the segment with the same set of allowed VLANs, or a misconfiguration occurs.
- REP ports follow these rules:
  - There is no limit to the number of REP ports on a switch; however, only two ports on a switch can belong to the same REP segment.
  - If only one port on a switch is configured in a segment, the port should be an edge port.
  - If two ports on a switch belong to the same segment, they must be both edge ports, both regular segment ports, or one regular port and one edge no-neighbor port. An edge port and regular segment port on a switch cannot belong to the same segment.
  - If two ports on a switch belong to the same segment and one is configured as an edge port and one as a regular segment port (a misconfiguration), the edge port is treated as a regular segment port.
- REP interfaces come up and remain in a blocked state until notified that it is safe to unblock. You need to be aware of this to avoid sudden connection losses.

- REP sends all LSL PDUs in untagged frames on the native VLAN. The BPA message sent to the Cisco multicast address is sent on the administration VLAN, which is VLAN 1 by default.
- You can configure how long a REP interface remains up without receiving a hello from a neighbor. You can use the **rep lsl-age-timer** *value* interface configuration command to set the time from 120 ms to 10000 ms. The LSL hello timer is then set to the age-timer value divided by three. In normal operation, three LSL hellos are sent before the age timer on the peer switch expires and searches for hello messages.
  - In Cisco IOS Release 12.2(52)SE, the LSL age-timer range changed from 3000 to 10000 ms in 500-ms increments to 120 ms to 10000 ms in 40-ms increments. If the REP neighbor device is not running Cisco IOS Release 12.2(52)SE or later, you must use the shorter time range because the device will not accept values out of the previous range.
  - EtherChannel port channel interfaces do not support LSL age-timer values less than 1000 ms. If you try to configure a value less than 1000 ms on a port channel, you receive an error message and the command is rejected.
- REP ports cannot be configured as one of these port types:
  - SPAN destination port
  - Private VLAN port
  - Tunnel port
  - Access port
- REP ports must be network node interfaces (NNI). User-network interfaces (UNIs) or enhanced network interfaces (ENIs) cannot be REP ports.
- REP is supported on EtherChannels, but not on an individual port that belongs to an EtherChannel.
- There is a maximum of 64 REP segments per switch.

## Configuring the REP Administrative VLAN

To avoid the delay introduced by relaying messages in software for link-failure or VLAN-blocking notification during load balancing, REP floods packets at the hardware flood layer (HFL) to a regular multicast address. These messages are flooded to the whole network, not just the REP segment. You can control flooding of these messages by configuring an administrative VLAN for the whole domain.

Follow these guidelines when configuring the REP administrative VLAN:

- If you do not configure an administrative VLAN, the default is VLAN 1.
- There can be only one administrative VLAN on a switch and on a segment. However, this is not enforced by software.
- The administrative VLAN cannot be the RSPAN VLAN.

Beginning in privileged EXEC mode, follow these steps to configure the REP administrative VLAN:

	Command	Purpose
Step 1	<b>configure terminal</b>	Enter global configuration mode.
Step 2	<b>rep admin vlan</b> <i>vlan-id</i>	Specify the administrative VLAN. The range is 2 to 4094. The default is VLAN 1. To set the admin VLAN to 1, enter the <b>no rep admin vlan</b> global configuration command.

	Command	Purpose
Step 3	<b>end</b>	Return to privileged EXEC mode.
Step 4	<b>show interface</b> <i>[interface-id]</i> <b>rep detail</b>	Verify the configuration on one of the REP interfaces.
Step 5	<b>copy running-config startup config</b>	(Optional) Save your entries in the switch startup configuration file.

This example shows how to configure the administrative VLAN as VLAN 100 and to verify the configuration by entering the **show interface rep detail** command on one of the REP interfaces:

```
Switch# configure terminal
Switch (conf)# rep admin vlan 100
Switch (conf-if)# end

Switch# show interface gigabitethernet0/1 rep detail
GigabitEthernet0/1 REP enabled
Segment-id: 2 (Edge)
PortID: 00010019E7144680
Preferred flag: No
Operational Link Status: TWO_WAY
Current Key: 0002001121A2D5800E4D
Port Role: Open
Blocked Vlan: <empty>
Admin-vlan: 100
Preempt Delay Timer: disabled
LSL Ageout Timer: 5000 ms
Configured Load-balancing Block Port: none
Configured Load-balancing Block VLAN: none
STCN Propagate to: none
LSL PDU rx: 3322, tx: 1722
HFL PDU rx: 32, tx: 5
BPA TLV rx: 16849, tx: 508
BPA (STCN, LSL) TLV rx: 0, tx: 0
BPA (STCN, HFL) TLV rx: 0, tx: 0
EPA-ELECTION TLV rx: 118, tx: 118
EPA-COMMAND TLV rx: 0, tx: 0
EPA-INFO TLV rx: 4214, tx: 4190
```

## Configuring REP Interfaces

For REP operation, you need to enable it on each segment interface and to identify the segment ID. This step is required and must be done before other REP configuration. You must also configure a primary and secondary edge port on each segment. All other steps are optional.

Beginning in privileged EXEC mode, follow these steps to enable and configure REP on an interface:

	Command	Purpose
Step 1	<b>configure terminal</b>	Enter global configuration mode.
Step 2	<b>interface</b> <i>interface-id</i>	Specify the interface, and enter interface configuration mode. The interface can be a physical Layer 2 interface or a port channel (logical interface). The port-channel range is 1 to 48.
Step 3	<b>port-type nni</b>	Configure the port as a network node interface (NNI).
Step 4	<b>switchport mode trunk</b>	Configure the interface as a Layer 2 trunk port.

Command	Purpose
<p>Step 5 <b>rep segment</b> <i>segment-id</i> [<b>edge</b> [<b>no-neighbor</b>] [<b>primary</b>]] [<b>preferred</b>]</p>	<p>Enable REP on the interface, and identify a segment number. The segment ID range is from 1 to 1024. These optional keywords are available.</p> <p><b>Note</b> You must configure two edge ports, including one primary edge port for each segment.</p> <ul style="list-style-type: none"> <li>• Enter <b>edge</b> to configure the port as an edge port. Enter <b>edge</b> without the <b>primary</b> keyword to configure the port as the secondary edge port. Each segment has only two edge ports.</li> <li>• (Optional) Enter <b>no-neighbor</b> to configure a port with no external REP neighbors as an edge port. The port inherits all properties of edge ports, and you can configure them the same as any edge port.</li> <li>• (Optional) On an edge port, enter <b>primary</b> to configure the port as the primary edge port, the port on which you can configure VLAN load balancing.</li> </ul> <p><b>Note</b> Although each segment can have only one primary edge port, if you configure edge ports on two different switches and enter the <b>primary</b> keyword on both switches, the configuration is allowed. However, REP selects only one of these ports as the segment primary edge port. You can identify the primary edge port for a segment by entering the <b>show rep topology</b> privileged EXEC command.</p> <ul style="list-style-type: none"> <li>• (Optional) Enter <b>preferred</b> to set the port as the preferred alternate port or the preferred port for VLAN load balancing.</li> </ul> <p><b>Note</b> Configuring a port as preferred does not guarantee that it becomes the alternate port; it merely gives it a slight edge among equal contenders. The alternate port is usually a previously failed port.</p>
<p>Step 6 <b>rep stcn</b> {<b>interface</b> <i>interface-id</i>   <b>segment</b> <i>id-list</i>   <b>stp</b>}</p>	<p>(Optional) Configure the edge port to send segment topology change notices (STCNs).</p> <ul style="list-style-type: none"> <li>• Enter <b>interface</b> <i>interface-id</i> to designate a physical interface or port channel to receive STCNs.</li> <li>• Enter <b>segment</b> <i>id-list</i> to identify one or more segments to receive STCNs. The range is 1 to 1024.</li> <li>• Enter <b>stp</b> to send STCNs to STP networks.</li> </ul>



Command	Purpose
Step 7 <b>rep block port</b> { <i>id port-id</i>   <i>neighbor_offset</i>   <b>preferred</b> } <b>vlan</b> { <i>vlan-list</i>   <b>all</b> }	<p>(Optional) Configure VLAN load balancing on the primary edge port, identify the REP alternate port, and configure the VLANs to be blocked on the alternate port.</p> <ul style="list-style-type: none"> <li>• Enter the <b>id</b> <i>port-id</i> to identify the alternate port by port ID. The port ID is automatically generated for each port in the segment. You can view interface port IDs by entering the <b>show interface interface-id rep [detail]</b> privileged EXEC command.</li> <li>• Enter a <i>neighbor_offset</i> number to identify the alternate port as a downstream neighbor from an edge port. The range is from -256 to 256, with negative numbers identifying the downstream neighbor from the secondary edge port. A value of <b>0</b> is invalid. Enter <b>-1</b> to identify the secondary edge port as the alternate port. See <a href="#">Figure 18-4 on page 18-5</a> for an example of neighbor offset numbering.</li> </ul> <p><b>Note</b> Because you enter this command at the primary edge port (offset number 1), you would never enter an offset value of 1 to identify an alternate port.</p> <ul style="list-style-type: none"> <li>• Enter <b>preferred</b> to select the regular segment port previously identified as the preferred alternate port for VLAN load balancing.</li> <li>• Enter <b>vlan</b> <i>vlan-list</i> to block one VLAN or a range of VLANs.</li> <li>• Enter <b>vlan all</b> to block all VLANs.</li> </ul> <p><b>Note</b> Enter this command only on the REP primary edge port.</p>
Step 8 <b>rep preempt delay</b> <i>seconds</i>	<p>(Optional) You must enter this command and configure a preempt time delay if you want VLAN load balancing to automatically trigger after a link failure and recovery. The time delay range is 15 to 300 seconds. The default is manual preemption with no time delay.</p> <p><b>Note</b> Enter this command only on the REP primary edge port.</p>
Step 9 <b>rep lsl-age-timer</b> <i>value</i>	<p>(Optional) Configure a time (in milliseconds) for which the REP interface remains up without receiving a hello from a neighbor. The range is from 120 to 10000 ms in 40-ms increments; the default is 5000 ms (5 seconds).</p> <p><b>Note</b> If the neighbor device is not running Cisco IOS Release 12.2(52)SE or later, it will only accept values from 3000 to 10000 ms in 500 ms increments. EtherChannel port channel interfaces do not support LSL age-timer values less than 1000 ms.</p>
Step 10 <b>end</b>	Return to privileged EXEC mode.
Step 11 <b>show interface</b> [ <i>interface-id</i> ] <b>rep [detail]</b>	Verify the REP interface configuration.
Step 12 <b>copy running-config startup config</b>	(Optional) Save your entries in the switch startup configuration file.

Enter the **no** form of each command to return to the default configuration. Enter the **show rep topology** privileged EXEC command to see which port in the segment is the primary edge port.

This example shows how to configure an interface as the primary edge port for segment 1, to send STCNs to segments 2 through 5, and to configure the alternate port as the port with port ID 0009001818D68700 to block all VLANs after a preemption delay of 60 seconds after a segment port failure and recovery. The interface is configured to remain up for 6000 milliseconds without receiving a hello from a neighbor.

```
Switch# configure terminal
Switch (conf)# interface gigabitethernet0/1
Switch (conf-if)# rep segment 1 edge primary
Switch (conf-if)# rep stcn segment 2-5
Switch (conf-if)# rep block port 0009001818D68700 vlan all
Switch (conf-if)# rep preempt delay 60
Switch (conf-if)# rep lsl-age-timer 6000
Switch (conf-if)# end
```

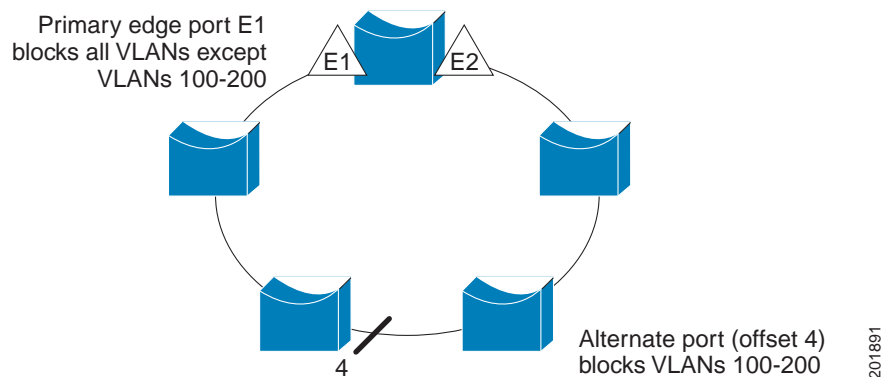
This example shows how to configure the same configuration when the interface has no external REP neighbor:

```
Switch# configure terminal
Switch (conf)# interface gigabitethernet0/1
Switch (conf-if)# rep segment 1 edge no-neighbor primary
Switch (conf-if)# rep stcn segment 2-5
Switch (conf-if)# rep block port 0009001818D68700 vlan all
Switch (conf-if)# rep preempt delay 60
Switch (conf-if)# rep lsl-age-timer 6000
```

This example shows how to configure the VLAN blocking configuration shown in [Figure 18-5](#). The alternate port is the neighbor with neighbor offset number 4. After manual preemption, VLANs 100 to 200 are blocked at this port, and all other VLANs are blocked at the primary edge port E1 (Gigabit Ethernet port 0/1).

```
Switch# configure terminal
Switch (conf)# interface gigabitethernet0/1
Switch (conf-if)# rep segment 1 edge primary
Switch (conf-if)# rep block port 4 vlan 100-200
Switch (conf-if)# end
```

**Figure 18-5** Example of VLAN Blocking



## Setting Manual Preemption for VLAN Load Balancing

If you do not enter the **rep preempt delay** *seconds* interface configuration command on the primary edge port to configure a preemption time delay, the default is to manually trigger VLAN load balancing on the segment. Be sure to complete all other segment configuration before manually preempting VLAN load balancing. When you enter the **rep preempt segment** *segment-id* command, a confirmation message appears before the command is executed because preemption can cause network disruption.

Beginning in privileged EXEC mode, follow these steps on the switch that has the segment primary edge port to manually trigger VLAN load balancing on a segment:

	Command	Purpose
Step 1	<b>rep preempt segment</b> <i>segment-id</i>	Manually trigger VLAN load balancing on the segment. You need to confirm the command before it is executed.
Step 2	<b>show rep topology</b>	View REP topology information.

## Configuring SNMP Traps for REP

You can configure the switch to send REP-specific traps to notify the SNMP server of link operational status changes and port role changes. Beginning in privileged EXEC mode, follow these steps to configure REP traps:

	Command	Purpose
Step 1	<b>configure terminal</b>	Enter global configuration mode.
Step 2	<b>snmp mib rep trap-rate</b> <i>value</i>	Enable the switch to send REP traps, and set the number of traps sent per second. The range is from 0 to 1000. The default is 0 (no limit imposed; a trap is sent at every occurrence).
Step 3	<b>end</b>	Return to privileged EXEC mode.
Step 4	<b>show running-config</b>	Verify the REP trap configuration.
Step 5	<b>copy running-config startup config</b>	(Optional) Save your entries in the switch startup configuration file.

To remove the trap, enter the **no snmp mib rep trap-rate** global configuration command.

This example configures the switch to send REP traps at a rate of 10 per second:

```
Switch(config)# snmp mib rep trap-rate 10
```

# Monitoring REP

Use the privileged EXEC commands in [Table 18-1](#) to monitor REP.

**Table 18-1** REP Monitoring Commands

Command	Purpose
<b>show interface</b> [ <i>interface-id</i> ] <b>rep</b> [ <b>detail</b> ]	Displays REP configuration and status for a specified interface or for all interfaces.
<b>show rep topology</b> [ <b>segment</b> <i>segment_id</i> ] [ <b>archive</b> ] [ <b>detail</b> ]	Displays REP topology information for a segment or for all segments, including the primary and secondary edge ports in the segment.



## Configuring Flex Links and the MAC Address-Table Move Update Feature

This chapter describes how to configure Flex Links, a pair of interfaces on the Cisco ME 3400E switch that are used to provide a mutual backup. It also describes how to configure the MAC address-table move update feature, also referred to as the Flex Links bidirectional fast convergence feature.

**Note**

For complete syntax and usage information for the commands used in this chapter, see the command reference for this release.

The chapter consists of these sections:

- [Understanding Flex Links and the MAC Address-Table Move Update, page 19-1](#)
- [Configuring Flex Links and MAC Address-Table Move Update, page 19-7](#)
- [Monitoring Flex Links and the MAC Address-Table Move Update, page 19-14](#)

## Understanding Flex Links and the MAC Address-Table Move Update

- [Flex Links, page 19-1](#)
- [VLAN Flex Link Load Balancing and Support, page 19-2](#)
- [Flex Link Multicast Fast Convergence, page 19-3](#)
- [MAC Address-Table Move Update, page 19-6](#)

### Flex Links

Flex Links are a pair of a Layer 2 interfaces (switchports or port channels), where one interface is configured to act as a backup to the other. The feature provides an alternative solution to the Spanning Tree Protocol (STP), allowing users to turn off STP and still provide basic link redundancy. Flex Links are typically configured in service provider or enterprise networks where customers do not want to run STP on the switch. If the switch is running STP, it is not necessary to configure Flex Links because STP already provides link-level redundancy or backup.

**Note**

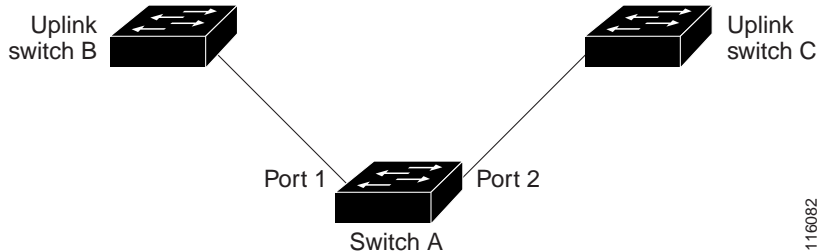
STP is enabled by default on network node interfaces (NNIs). It is disabled on enhanced network interfaces (ENIs), but you can enable it. STP is not supported on user network interfaces (UNIs).

You configure Flex Links on one Layer 2 interface (the active link) by assigning another Layer 2 interface as the Flex Link or backup link. When one of the links is up and forwarding traffic, the other link is in standby mode, ready to begin forwarding traffic if the other link shuts down. At any given time, only one of the interfaces is in the linkup state and forwarding traffic. If the primary link shuts down, the standby link starts forwarding traffic. When the active link comes back up, it goes into standby mode and does not forward traffic. STP is disabled on Flex Link interfaces.

In [Figure 19-1](#), ports 1 and 2 on switch A are connected to uplink switches B and C. Because they are configured as Flex Links, only one of the interfaces is forwarding traffic; the other is in standby mode. If port 1 is the active link, it begins forwarding traffic between port 1 and switch B; the link between port 2 (the backup link) and switch C is not forwarding traffic. If port 1 goes down, port 2 comes up and starts forwarding traffic to switch C. When port 1 comes back up, it goes into standby mode and does not forward traffic; port 2 continues forwarding traffic.

You can also choose to configure a preemption mechanism, specifying the preferred port for forwarding traffic. In [Figure 19-1](#), for example, you can configure the Flex Link pair with preemption mode so that after port 1 comes back up in the scenario, if it has greater bandwidth than port 2, port 1 begins forwarding after 60 seconds; and port 2 becomes the standby. You do this by entering the interface configuration **switchport backup interface preemption mode bandwidth** and **switchport backup interface preemption delay** commands.

**Figure 19-1** Flex Links Configuration Example



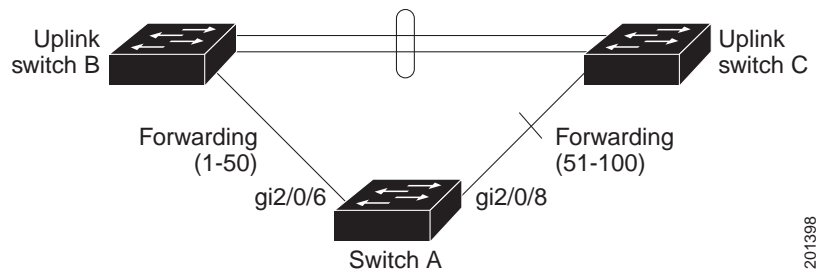
If a primary (forwarding) link goes down, a trap notifies the network management stations. If the standby link goes down, a trap notifies the users.

Flex Links are supported only on Layer 2 ports and port channels, not on VLANs or Layer 3 ports.

## VLAN Flex Link Load Balancing and Support

VLAN Flex Link load-balancing allows users to configure a Flex Link pair so that both ports simultaneously forward the traffic for some mutually exclusive VLANs. For example, if Flex Link ports are configured for 1-100 VLANs, the traffic of the first 50 VLANs can be forwarded on one port and the rest on the other port. If one of the ports fail, the other active port forwards all the traffic. When the failed port comes back up, it resumes forwarding traffic in the preferred vlans. This way, apart from providing the redundancy, this Flex Link pair can be used for load balancing. Also, Flex Link VLAN load-balancing does not impose any restrictions on uplink switches.

**Figure 19-2 VLAN Flex Links Load Balancing Configuration Example**



201398

## Flex Link Multicast Fast Convergence

Flex Link Multicast Fast Convergence reduces the multicast traffic convergence time after a Flex Link failure. This is implemented by a combination of these solutions:

- [Learning the Other Flex Link Port as the mrouter Port, page 19-3](#)
- [Generating IGMP Reports, page 19-3](#)
- [Leaking IGMP Reports, page 19-4](#)

### Learning the Other Flex Link Port as the mrouter Port

In a typical multicast network, there is a querier for each VLAN. A switch deployed at the edge of a network has one of its Flex Link ports receiving queries. Flex Link ports are also always forwarding at any given time.

A port that receives queries is added as an *mrouter* port on the switch. An *mrouter* port is part of all the multicast groups learned by the switch. After a changeover, queries are received by the other Flex Link port. The other Flex Link port is then learned as the *mrouter* port. After changeover, multicast traffic then flows through the other Flex Link port. To achieve faster convergence of traffic, both Flex Link ports are learned as *mrouter* ports whenever either Flex Link port is learned as the *mrouter* port. Both Flex Link ports are always part of multicast groups.

Though both Flex Link ports are part of the groups in normal operation mode, all traffic on the backup port is blocked. So the normal multicast data flow is not affected by the addition of the backup port as an *mrouter* port. When the changeover happens, the backup port is unblocked, allowing the traffic to flow. In this case, the upstream multicast data flows as soon as the backup port is unblocked.

### Generating IGMP Reports

When the backup link comes up after the changeover, the upstream new distribution switch does not start forwarding multicast data, because the port on the upstream router, which is connected to the blocked Flex Link port, is not part of any multicast group. The reports for the multicast groups were not forwarded by the downstream switch because the backup link is blocked. The data does not flow on this port, until it learns the multicast groups, which occurs only after it receives reports.

The reports are sent by hosts when a general query is received, and a general query is sent within 60 seconds in normal scenarios. When the backup link starts forwarding, to achieve faster convergence of multicast data, the downstream switch immediately sends proxy reports for all the learned groups on this port without waiting for a general query.

## Leaking IGMP Reports

To achieve multicast traffic convergence with minimal loss, a redundant data path must be set up before the Flex Link active link goes down. This can be achieved by leaking only IGMP report packets on the Flex Link backup link. These leaked IGMP report messages are processed by upstream distribution routers, so multicast data traffic gets forwarded to the backup interface. Because all incoming traffic on the backup interface is dropped at the ingress of the access switch, no duplicate multicast traffic is received by the host. When the Flex Link active link fails, the access switch starts accepting traffic from the backup link immediately. The only disadvantage of this scheme is that it consumes bandwidth on the link between the distribution switches and on the backup link between the distribution and access switches. This feature is disabled by default and can be configured by using the **switchport backup interface *interface-id* multicast fast-convergence** command.

When this feature has been enabled at changeover, the switch does not generate the proxy reports on the backup port, which became the forwarding port.

## Configuration Examples

This configuration example shows learning the other Flex Link port as the mrouter port when Flex Link is configured on GigabitEthernet 0/11 and GigabitEthernet 0/12. The example shows the output for the **show interfaces switchport backup** command:

```
Switch# configure terminal
Switch(config)# interface gigabitEthernet0/11
Switch(config-if)# switchport trunk encapsulation dot1q
Switch(config-if)# switchport mode trunk
Switch(config-if)# switchport backup interface Gi0/12
Switch(config-if)# exit
Switch(config)# interface GigabitEthernet0/12
Switch(config-if)# switchport trunk encapsulation dot1q
Switch(config-if)# switchport mode trunk
Switch(config-if)# end
Switch# show interfaces switchport backup detail
Switch Backup Interface Pairs:
Active Interface Backup Interface State
GigabitEthernet0/11 GigabitEthernet0/12 Active Up/Backup Standby
Preemption Mode : off
Multicast Fast Convergence : Off
Bandwidth : 100000 Kbit (Gi0/11), 100000 Kbit (Gi0/12)
Mac Address Move Update Vlan : auto
```

This output shows a querier for VLANs 1 and 401, with their queries reaching the switch through GigabitEthernet 0/11:

```
Switch# show ip igmp snooping querier
Vlan    IP Address    IGMP Version    Port
-----
1       1.1.1.1       v2              Gi0/11
401     41.41.41.1    v2              Gi0/11
```



This is output for the **show ip igmp snooping mrouter** command for VLANs 1 and 401:

```
Switch# show ip igmp snooping mrouter
Vlan    ports
-----
1       Gi1/0/11(dynamic), Gi0/12(dynamic)
401     Gi1/0/11(dynamic), Gi0/12(dynamic)
```

Similarly, both Flex Link ports are part of learned groups. In this example, GigabitEthernet 0/10 is a receiver/host in VLAN 1, which is interested in two multicast groups:

```
Switch# show ip igmp snooping groups
Vlan    Group      Type   Version  Port List
-----
1       228.1.5.1  igmp   v2       Gi0/11, Gi0/12, Gi0/10
1       228.1.5.2  igmp   v2       Gi0/11, Gi0/12, Gi0/10
```

When a host responds to the general query, the switch forwards this report on all the mrouter ports. In this example, when a host sends a report for the group 228.1.5.1, it is forwarded only on GigabitEthernet 0/11, because the backup port GigabitEthernet 0/12 is blocked. When the active link, GigabitEthernet 0/11, goes down, the backup port, GigabitEthernet 0/12, begins forwarding.

As soon as this port starts forwarding, the switch sends proxy reports for the groups 228.1.5.1 and 228.1.5.2 on behalf of the host. The upstream router learns the groups and starts forwarding multicast data. This is the default behavior of Flex Link. This behavior changes when the user configures fast convergence using the **switchport backup interface gigabitEthernet 0/12 multicast fast-convergence** command. This example shows turning on this feature:

```
Switch# configure terminal
Enter configuration commands, one per line. End with CNTL/Z.
Switch(config)# interface gigabitEthernet0/11
Switch(config-if)# switchport backup interface gigabitEthernet0/12 multicast
fast-convergence
Switch(config-if)# exit
Switch# show interfaces switchport backup detail
Switch Backup Interface Pairs:
Active          Interface          Backup Interface State
-----
GigabitEthernet0/11 GigabitEthernet0/12 Active Up/Backup Standby
Preemption Mode : off
Multicast Fast Convergence : On
Bandwidth : 100000 Kbit (Gi0/11), 100000 Kbit (Gi0/12)
Mac Address Move Update Vlan : auto
```

This output shows a querier for VLAN 1 and 401 with their queries reaching the switch through GigabitEthernet 0/11:

```
Switch# show ip igmp snooping querier
Vlan    IP Address    IGMP Version  Port
-----
1       1.1.1.1       v2            Gi0/11
401     41.41.41.1    v2            Gi0/11
```

This is output for the **show ip igmp snooping mrouter** command for VLAN 1 and 401:

```
Switch# show ip igmp snooping mrouter
Vlan    ports
-----
1       Gi0/11(dynamic), Gi0/12(dynamic)
401     Gi0/11(dynamic), Gi0/12(dynamic)
```

Similarly, both the Flex Link ports are a part of the learned groups. In this example, GigabitEthernet 0/10 is a receiver/host in VLAN 1, which is interested in two multicast groups:

```
Switch# show ip igmp snooping groups
Vlan  Group      Type  Version  Port List
-----
1      228.1.5.1  igmp  v2       Gi0/11, Gi0/12, Gi0/10
1      228.1.5.2  igmp  v2       Gi1/0/11, Gi0/12, Gi0/10
```

Whenever a host responds to the general query, the switch forwards this report on all the mrouter ports. When you turn on this feature through the command-line port, and when a report is forwarded by the switch on GigabitEthernet 0/11, it is also leaked to the backup port GigabitEthernet 0/12. The upstream router learns the groups and starts forwarding multicast data, which is dropped at the ingress because GigabitEthernet 0/12 is blocked. When the active link, GigabitEthernet 0/11, goes down, the backup port, GigabitEthernet 0/12, begins forwarding. You do not need to send any proxy reports as the multicast data is already being forwarded by the upstream router. By leaking reports to the backup port, a redundant multicast path has been set up, and the time taken for the multicast traffic convergence is very minimal.

## MAC Address-Table Move Update

The MAC address-table move update feature allows the switch to provide rapid bidirectional convergence when a primary (forwarding) link goes down and the standby link begins forwarding traffic.

In [Figure 19-3](#), switch A is an access switch, and ports 1 and 2 on switch A are connected to uplink switches B and D through a Flex Link pair. Port 1 is forwarding traffic, and port 2 is in the backup state. Traffic from the PC to the server is forwarded from port 1 to port 3. The MAC address of the PC has been learned on port 3 of switch C. Traffic from the server to the PC is forwarded from port 3 to port 1.

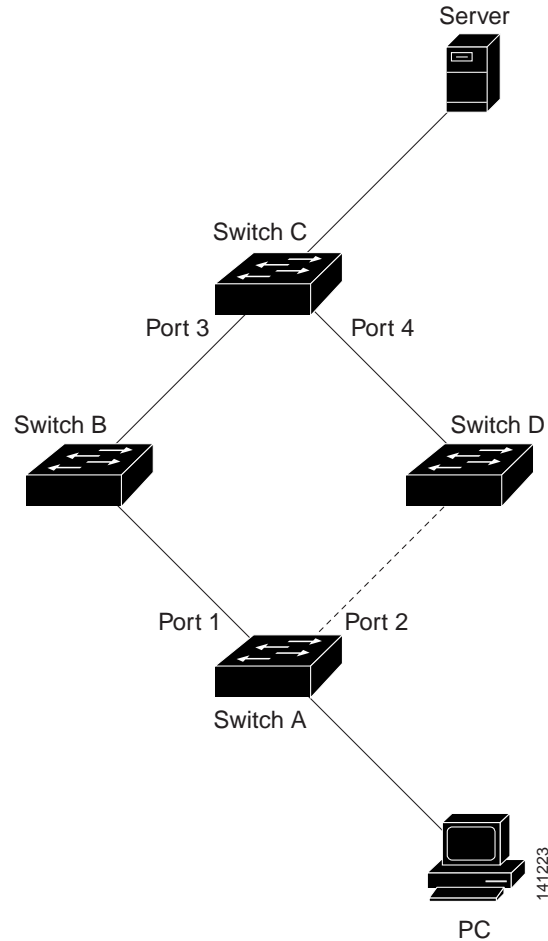
If the MAC address-table move update feature is not configured and port 1 goes down, port 2 starts forwarding traffic. However, for a short time, switch C keeps forwarding traffic from the server to the PC through port 3, and the PC does not get the traffic because port 1 is down. If switch C removes the MAC address of the PC on port 3 and relearns it on port 4, traffic can then be forwarded from the server to the PC through port 2.

If the MAC address-table move update feature is configured and enabled on the switches in [Figure 19-3](#) and port 1 goes down, port 2 starts forwarding traffic from the PC to the server. The switch sends a MAC address-table move update packet from port 2. Switch C gets this packet on port 4 and immediately learns the MAC address of the PC on port 4, which reduces the reconvergence time.

You can configure the access switch, switch A, to *send* MAC address-table move update messages. You can also configure the uplink switches B, C, and D to *get* and process the MAC address-table move update messages. When switch C gets a MAC address-table move update message from switch A, switch C learns the MAC address of the PC on port 4. Switch C updates the MAC address table, including the forwarding table entry for the PC.

Switch A does not need to wait for the MAC address-table update. The switch detects a failure on port 1 and immediately starts forwarding server traffic from port 2, the new forwarding port. This change occurs in 100 milliseconds (ms). The PC is directly connected to switch A, and the connection status does not change. Switch A does not need to update the PC entry in the MAC address table.

Figure 19-3 MAC Address-Table Move Update Example



## Configuring Flex Links and MAC Address-Table Move Update

- [Default Configuration, page 19-7](#)
- [Configuration Guidelines, page 19-8](#)
- [Configuring Flex Links, page 19-8](#)
- [Configuring VLAN Load Balancing on Flex Links, page 19-10](#)
- [Configuring the MAC Address-Table Move Update Feature, page 19-12](#)

### Default Configuration

The Flex Links are not configured, and there are no backup interfaces defined.

The preemption mode is off.

The preemption delay is 35 seconds.

Flex Link VLAN load-balancing is not configured.

The MAC address-table move update feature is not configured on the switch.

## Configuration Guidelines

Follow these guidelines to configure Flex Links:

- You can configure up to 16 backup links.
- You can configure only one Flex Link backup link for any active link, and it must be a different interface from the active interface.
- An interface can belong to only one Flex Link pair. An interface can be a backup link for only one active link. An active link cannot belong to another Flex Link pair.
- Neither of the links can be a port that belongs to an EtherChannel. However, you can configure two port channels (EtherChannel logical interfaces) as Flex Links, and you can configure a port channel and a physical interface as Flex Links, with either the port channel or the physical interface as the active link.
- A backup link does not have to be the same type (Fast Ethernet, Gigabit Ethernet, or port channel) as the active link. However, you should configure both Flex Links with similar characteristics so that there are no loops or changes in behavior if the standby link begins to forward traffic.
- STP is disabled on Flex Link ports. If STP is configured on the switch, Flex Links do not participate in STP in all VLANs in which STP is configured. With STP not running, be sure that there are no loops in the configured topology.



**Note** STP is available only on NNIs or ENIs.

Follow these guidelines to configure VLAN load balancing on the Flex Links feature:

- For Flex Link VLAN load balancing, you must choose the preferred VLANs on the backup interface.
- You cannot configure a preemption mechanism and VLAN load balancing for the same Flex Links pair.

Follow these guidelines to configure MAC address-table move update feature:

- You can enable and configure this feature on the access switch to *send* the MAC address-table move updates.
- You can enable and configure this feature on the uplink switches to *get* the MAC address-table move updates.

## Configuring Flex Links

Beginning in privileged EXEC mode, follow these steps to configure a pair of Flex Links:

	Command	Purpose
Step 1	<b>configure terminal</b>	Enter global configuration mode.
Step 2	<b>interface</b> <i>interface-id</i>	Specify the interface, and enter interface configuration mode. The interface can be a physical Layer 2 interface or a port channel (logical interface). The port-channel range is 1 to 48.
Step 3	<b>no shutdown</b>	Enable the port, if necessary. By default, UNIs and ENIs are disabled, and network NNIs are enabled.

	Command	Purpose
Step 4	<b>switchport backup interface</b> <i>interface-id</i>	Configure a physical Layer 2 interface (or port channel) as part of a Flex Link pair with the interface. When one link is forwarding traffic, the other interface is in standby mode.
Step 5	<b>end</b>	Return to privileged EXEC mode.
Step 6	<b>show interface</b> [ <i>interface-id</i> ] <b>switchport backup</b>	Verify the configuration.
Step 7	<b>copy running-config startup config</b>	(Optional) Save your entries in the switch startup configuration file.

This example shows how to configure an interface with a backup interface and to verify the configuration:

```
Switch# configure terminal
Switch(conf)# interface fastethernet0/1
Switch(conf-if)# no shutdown
Switch(conf-if)# switchport backup interface fastethernet0/2
Switch(conf-if)# end
Switch# show interface switchport backup
Switch Backup Interface Pairs:
```

Active Interface	Backup Interface	State
FastEthernet0/1	FastEthernet0/2	Active Up/Backup Standby
FastEthernet0/3	FastEthernet0/4	Active Up/Backup Standby
Port-channel1	GigabitEthernet0/1	Active Up/Backup Standby

Beginning in privileged EXEC mode, follow these steps to configure a preemption scheme for a pair of Flex Links:

	Command	Purpose
Step 1	<b>configure terminal</b>	Enter global configuration mode.
Step 2	<b>interface</b> <i>interface-id</i>	Specify the interface, and enter interface configuration mode. The interface can be a physical Layer 2 interface or a port channel (logical interface). The port-channel range is 1 to 48.
Step 3	<b>no shutdown</b>	Enable the port, if necessary. By default, UNIs and ENIs are disabled, and NNIs are enabled.
Step 4	<b>switchport backup interface</b> <i>interface-id</i>	Configure a physical Layer 2 interface (or port channel) as part of a Flex Link pair with the interface. When one link is forwarding traffic, the other interface is in standby mode.
Step 5	<b>switchport backup interface</b> <i>interface-id</i> <b>preemption mode</b> { <b>forced</b>   <b>bandwidth</b>   <b>off</b> }	Configure a preemption mechanism and delay for a Flex Link interface pair. You can configure the preemption as: <ul style="list-style-type: none"> <li>• <b>forced</b>—the active interface always preempts the backup.</li> <li>• <b>bandwidth</b>—the interface with the higher bandwidth always acts as the active interface.</li> <li>• <b>off</b>—no preemption happens from active to backup.</li> </ul>

	Command	Purpose
Step 6	<b>switchport backup interface</b> <i>interface-id</i> <b>preemption delay</b> <i>delay-time</i>	Configure the time delay until a port preempts another port. <b>Note</b> Setting a delay time only works with forced and bandwidth modes.
Step 7	<b>end</b>	Return to privileged EXEC mode.
Step 8	<b>show interface</b> [ <i>interface-id</i> ] <b>switchport backup</b>	Verify the configuration.
Step 9	<b>copy running-config startup config</b>	(Optional) Save your entries in the switch startup configuration file.

This example shows how to configure the preemption mode as *forced* for a backup interface pair and to verify the configuration:

```
Switch# configure terminal
Switch(conf)# interface gigabitethernet0/1
Switch(conf-if)# switchport backup interface gigabitethernet0/2 preemption mode forced
Switch(conf-if)# switchport backup interface gigabitethernet0/2 preemption delay 50
Switch(conf-if)# end
```

```
Switch# show interface switchport backup detail
Active Interface Backup Interface State
-----
GigabitEthernet0/21 GigabitEthernet0/2 Active Up/Backup Standby
Interface Pair : Gi0/1, Gi0/2
Preemption Mode : forced
Preemption Delay : 50 seconds
Bandwidth : 100000 Kbit (Gi0/1), 100000 Kbit (Gi0/2)
Mac Address Move Update Vlan : auto
```

## Configuring VLAN Load Balancing on Flex Links

Beginning in privileged EXEC mode, follow these steps to configure VLAN load balancing on Flex Links:

	Command	Purpose
Step 1	<b>configure terminal</b>	Enter global configuration mode.
Step 2	<b>interface</b> <i>interface-id</i>	Specify the interface, and enter interface configuration mode. The interface can be a physical Layer 2 interface or a port channel (logical interface). The port-channel range is 1 to 48.
Step 3	<b>no shutdown</b>	Enable the port, if necessary. By default, UNIs and ENIs are disabled, and NNIs are enabled.
Step 4	<b>switchport backup interface</b> <i>interface-id</i> <b>prefer vlan</b> <i>vlan-range</i>	Configure a physical Layer 2 interface (or port channel) as part of a Flex Links pair with the interface, and specify the VLANs carried on the interface. The VLAN ID range is 1 to 4094.
Step 5	<b>end</b>	Return to privileged EXEC mode.

	Command	Purpose
Step 6	<b>show interfaces</b> [ <i>interface-id</i> ] <b>switchport backup</b>	Verify the configuration.
Step 7	<b>copy running-config startup config</b>	(Optional) Save your entries in the switch startup configuration file.

In the following example, VLANs 1 to 50, 60, and 100 to 120 are configured on the switch:

```
Switch(config)# interface gigabitEthernet 0/6
Switch(config-if)# switchport backup interface gigabitEthernet 0/8 prefer vlan 60,100-120
```

When both interfaces are up, gigabitEthernet port 0/8 forwards traffic for VLANs 60 and 100 to 120 and gigabitEthernet port 0/6 forwards traffic for VLANs 1 to 50.

```
Switch# show interfaces switchport backup
Switch Backup Interface Pairs:
```

Active Interface	Backup Interface	State
GigabitEthernet0/6	GigabitEthernet0/8	Active Up/Backup Standby

```
Vlans Preferred on Active Interface: 1-50
Vlans Preferred on Backup Interface: 60, 100-120
```

When a Flex Link interface goes down (LINK\_DOWN), VLANs preferred on this interface are moved to the peer interface of the Flex Link pair. In this example, if interface gigabitEthernet port 0/6 goes down, gigabitEthernet port 0/8 carries all VLANs of the Flex Link pair.

```
Switch# show interfaces switchport backup
Switch Backup Interface Pairs:
```

Active Interface	Backup Interface	State
GigabitEthernet0/6	GigabitEthernet0/8	Active Down/Backup Up

```
Vlans Preferred on Active Interface: 1-50
Vlans Preferred on Backup Interface: 60, 100-120
```

When a Flex Link interface comes up, VLANs preferred on this interface are blocked on the peer interface and moved to the forwarding state on the interface that has just come up. In this example, if interface 0/6 comes up, VLANs preferred on this interface are blocked on the peer interface 0/8 and forwarded on 0/6.

```
Switch# show interfaces switchport backup
Switch Backup Interface Pairs:
```

Active Interface	Backup Interface	State
GigabitEthernet0/6	GigabitEthernet0/8	Active Up/Backup Standby

```
Vlans Preferred on Active Interface: 1-50
Vlans Preferred on Backup Interface: 60, 100-120
```

```
Switch# show interfaces switchport backup detail
Switch Backup Interface Pairs:

Active Interface      Backup Interface      State
-----
FastEthernet 0/3     FastEthernet 0/4     Active Down/Backup Up

Vlans Preferred on Active Interface: 1-2,5-4094
Vlans Preferred on Backup Interface: 3-4
Preemption Mode : off
Bandwidth : 10000 Kbit (Fa 0/3), 100000 Kbit (Fa0/4)
Mac Address Move Update Vlan : auto
```

## Configuring the MAC Address-Table Move Update Feature

This section contains this information:

- Configuring a switch to send MAC address-table move updates
- Configuring a switch to get MAC address-table move updates

Beginning in privileged EXEC mode, follow these steps to configure an access switch to send MAC address-table move updates:

	Command	Purpose
Step 1	<b>configure terminal</b>	Enter global configuration mode.
Step 2	<b>interface</b> <i>interface-id</i>	Specify the interface, and enter interface configuration mode. The interface can be a physical Layer 2 interface or a port channel (logical interface). The port-channel range is 1 to 48.
Step 3	<b>no shutdown</b>	Enable the port, if necessary. By default, UNIs and ENIs are disabled, and NNIs are enabled.
Step 4	<b>switchport backup interface</b> <i>interface-id</i>  or <b>switchport backup interface</b> <i>interface-id</i> <b>mmu primary vlan</b> <i>vlan-id</i>	Configure a physical Layer 2 interface (or port channel), as part of a Flex Link pair with the interface. The MAC address-table move update VLAN is the lowest VLAN ID on the interface.  Configure a physical Layer 2 interface (or port channel) and specify the VLAN ID on the interface, which is used for sending the MAC address-table move update.  When one link is forwarding traffic, the other interface is in standby mode.
Step 5	<b>end</b>	Return to global configuration mode.
Step 6	<b>mac address-table move update transmit</b>	Enable the access switch to send MAC address-table move updates to other switches in the network if the primary link goes down and the switch starts forwarding traffic through the standby link.
Step 7	<b>end</b>	Return to privileged EXEC mode.
Step 8	<b>show mac address-table move update</b>	Verify the configuration.
Step 9	<b>copy running-config startup config</b>	(Optional) Save your entries in the switch startup configuration file.



To disable the MAC address-table move update feature, use the **no mac address-table move update transmit** interface configuration command. To display the MAC address-table move update information, use the **show mac address-table move update** privileged EXEC command.

This example shows how to configure an access switch to send MAC address-table move update messages:

```
Switch# configure terminal
Switch(conf)# interface gigabitethernet0/1
Switch(conf-if)# switchport backup interface gigabitethernet0/2 mmu primary vlan 2
Switch(conf-if)# exit
Switch(conf)# mac address-table move update transmit
Switch(conf)# end
```

This example shows how to verify the configuration:

```
Switch# show mac-address-table move update
Switch-ID : 010b.4630.1780
Dst mac-address : 0180.c200.0010
Vlans/Macs supported : 1023/8320
Default/Current settings: Rcv Off/On, Xmt Off/On
Max packets per min : Rcv 40, Xmt 60
Rcv packet count : 5
Rcv conforming packet count : 5
Rcv invalid packet count : 0
Rcv packet count this min : 0
Rcv threshold exceed count : 0
Rcv last sequence# this min : 0
Rcv last interface : Po2
Rcv last src-mac-address : 000b.462d.c502
Rcv last switch-ID : 0403.fd6a.8700
Xmt packet count : 0
Xmt packet count this min : 0
Xmt threshold exceed count : 0
Xmt pak buf unavail cnt : 0
Xmt last interface : None
```

Beginning in privileged EXEC mode, follow these steps to configure a switch to get and process MAC address-table move update messages:

	Command	Purpose
Step 1	<b>configure terminal</b>	Enter global configuration mode.
Step 2	<b>mac address-table move update receive</b>	Enable the switch to get and process the MAC address-table move updates.
Step 3	<b>end</b>	Return to privileged EXEC mode.
Step 4	<b>show mac address-table move update</b>	Verify the configuration.
Step 5	<b>copy running-config startup config</b>	(Optional) Save your entries in the switch startup configuration file.

To disable the MAC address-table move update feature, use the **no mac address-table move update receive** configuration command. To display the MAC address-table move update information, use the **show mac address-table move update** privileged EXEC command.

This example shows how to configure a switch to get and process MAC address-table move update messages:

```
Switch# configure terminal
Switch(conf)# mac address-table move update receive
Switch(conf)# end
```

# Monitoring Flex Links and the MAC Address-Table Move Update

Table 19-1 shows the privileged EXEC command for monitoring Flex Link configuration.

Table 19-1 Flex Link Monitoring Command

Command	Purpose
<b>show interface</b> [ <i>interface-id</i> ] <b>switchport backup</b>	Displays the Flex Link backup interface configured for an interface, or displays all Flex Links configured on the switch and the state of each active and backup interface (up or standby mode).
<b>show mac address-table move update</b>	Displays the MAC address-table move update information on the switch.



# CHAPTER 20

## Configuring DHCP Features and IP Source Guard

---

This chapter describes how to configure DHCP snooping and option-82 data insertion, and the DHCP server port-based address allocation features on the Cisco ME 3400E Ethernet Access switch. It also describes how to configure the IP source guard feature.



### Note

---

For complete syntax and usage information for the commands used in this chapter, see the command reference for this release, and see the “DHCP Commands” section in the *Cisco IOS IP Command Reference, Volume 1 of 3: Addressing and Services, Release 12.2*.

---

- [Understanding DHCP Features, page 20-1](#)
- [Configuring DHCP Features, page 20-7](#)
- [Displaying DHCP Snooping Information, page 20-15](#)
- [Understanding DHCP Server Port-Based Address Allocation, page 20-15](#)
- [Configuring DHCP Server Port-Based Address Allocation, page 20-15](#)
- [Displaying DHCP Server Port-Based Address Allocation, page 20-18](#)
- [Understanding IP Source Guard, page 20-19](#)
- [Configuring IP Source Guard, page 20-21](#)
- [Displaying IP Source Guard Information, page 20-28](#)

## Understanding DHCP Features

DHCP is widely used in LAN environments to dynamically assign host IP addresses from a centralized server, which significantly reduces the overhead of administration of IP addresses. DHCP also helps conserve the limited IP address space because IP addresses no longer need to be permanently assigned to hosts; only those hosts that are connected to the network consume IP addresses.

- [DHCP Server, page 20-2](#)
- [DHCP Relay Agent, page 20-2](#)
- [DHCP Snooping, page 20-2](#)
- [Option-82 Data Insertion, page 20-3](#)
- [Cisco IOS DHCP Server Database, page 20-6](#)
- [DHCP Snooping Binding Database, page 20-6](#)

For information about the DHCP client, see the “*Configuring DHCP*” section of the “*IP Addressing and Services*” section of the *Cisco IOS IP Configuration Guide, Release 12.2*.

## DHCP Server

The DHCP server assigns IP addresses from specified address pools on a switch or router to DHCP clients and manages them. If the DHCP server cannot give the DHCP client the requested configuration parameters from its database, it can forward the request to one or more secondary DHCP servers defined by the network administrator.

## DHCP Relay Agent

A DHCP relay agent is a Layer 3 device that forwards DHCP packets between clients and servers. Relay agents forward requests and replies between clients and servers when they are not on the same physical subnet. Relay agent forwarding is different from the normal Layer 2 forwarding, in which IP datagrams are switched transparently between networks. Relay agents receive DHCP messages and generate new DHCP messages to send on egress interfaces.

## DHCP Snooping

DHCP snooping is a DHCP security feature that provides network security by filtering untrusted DHCP messages and by building and maintaining a DHCP snooping binding database, also referred to as a DHCP snooping binding table. For more information about this database, see the “[Displaying DHCP Snooping Information](#)” section on page 20-15.

DHCP snooping acts like a firewall between untrusted hosts and DHCP servers. You use DHCP snooping to differentiate between untrusted interfaces connected to the end user and trusted interfaces connected to the DHCP server or another switch.



### Note

---

For DHCP snooping to function properly, all DHCP servers must be connected to the switch through trusted interfaces.

---

An untrusted DHCP message is a message that is received from outside the network or firewall. When you use DHCP snooping in a service-provider environment, an untrusted message is sent from a device that is not in the service-provider network, such as a customer’s switch. Messages from unknown devices are untrusted because they can be sources of traffic attacks.

The DHCP snooping binding database has the MAC address, the IP address, the lease time, the binding type, the VLAN number, and the interface information that corresponds to the local untrusted interfaces of a switch. It does not have information regarding hosts interconnected with a trusted interface.

In a service-provider network, a trusted interface is connected to a port on a device in the same network. An untrusted interface is connected to an untrusted interface in the network or to an interface on a device that is not in the network.

When a switch receives a packet on an untrusted interface and the interface belongs to a VLAN in which DHCP snooping is enabled, the switch compares the source MAC address and the DHCP client hardware address. If the addresses match (the default), the switch forwards the packet. If the addresses do not match, the switch drops the packet.

The switch drops a DHCP packet when one of these situations occurs:

- A packet from a DHCP server, such as a DHCPOFFER, DHCPACK, DHCPNAK, or DHCPLEASEQUERY packet, is received from outside the network or firewall.
- A packet is received on an untrusted interface, and the source MAC address and the DHCP client hardware address do not match.
- The switch receives a DHCPRELEASE or DHCPDECLINE broadcast message that has a MAC address in the DHCP snooping binding database, but the interface information in the binding database does not match the interface on which the message was received.
- A DHCP relay agent forwards a DHCP packet that includes a relay-agent IP address that is not 0.0.0.0, or the relay agent forwards a packet that includes option-82 information to an untrusted port.

If the switch is an aggregation switch supporting DHCP snooping and is connected to an edge switch that is inserting DHCP option-82 information, the switch drops packets with option-82 information when packets are received on an untrusted interface. If DHCP snooping is enabled and packets are received on a trusted port, the aggregation switch does not learn the DHCP snooping bindings for connected devices and cannot build a complete DHCP snooping binding database.

When an aggregation switch can be connected to an edge switch through an untrusted interface and you enter the **ip dhcp snooping information option allowed-trust** global configuration command, the aggregation switch accepts packets with option-82 information from the edge switch. The aggregation switch learns the bindings for hosts connected through an untrusted switch interface. The DHCP security features, such as dynamic ARP inspection or IP source guard, can still be enabled on the aggregation switch while the switch receives packets with option-82 information on ingress untrusted interfaces to which hosts are connected. The port on the edge switch that connects to the aggregation switch must be configured as a trusted interface.

## Option-82 Data Insertion

In residential, metropolitan Ethernet-access environments, DHCP can centrally manage the IP address assignments for a large number of subscribers. When the DHCP option-82 feature is enabled on the switch, a subscriber device is identified by the switch port through which it connects to the network (in addition to its MAC address). Multiple hosts on the subscriber LAN can be connected to the same port on the access switch and are uniquely identified.

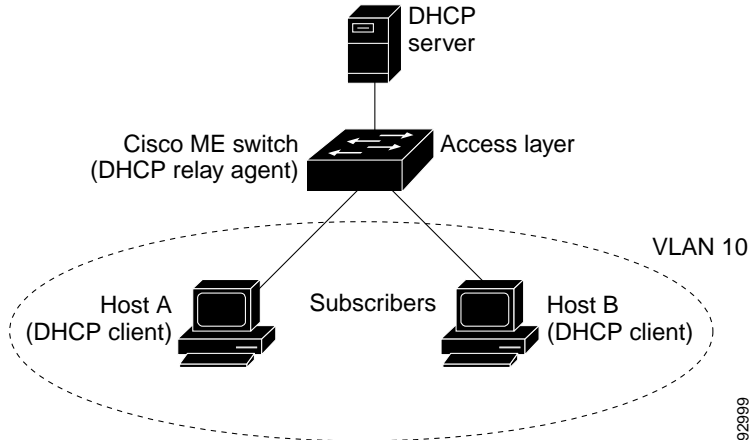


### Note

The DHCP option-82 feature is supported only when DHCP snooping is globally enabled and on the VLANs to which subscriber devices using this feature are assigned.

[Figure 20-1](#) is an example of a metropolitan Ethernet network in which a centralized DHCP server assigns IP addresses to subscribers connected to the switch at the access layer. Because the DHCP clients and their associated DHCP server do not reside on the same IP network or subnet, a DHCP relay agent (the Cisco ME switch) is configured with a helper address to enable broadcast forwarding and to transfer DHCP messages between the clients and the server.

Figure 20-1 DHCP Relay Agent in a Metropolitan Ethernet Network



When you enable the DHCP snooping information option 82 on the switch, this sequence of events occurs:

- The host (DHCP client) generates a DHCP request and broadcasts it on the network.
- When the switch receives the DHCP request, it adds the option-82 information in the packet. By default, the remote-ID suboption is the switch MAC address, and the circuit-ID suboption is the port identifier, **vlan-mod-port**, from which the packet is received. You can also configure the remote ID and circuit ID. For information on configuring these suboptions, see the [“Enabling DHCP Snooping and Option 82” section on page 20-11](#).
- If the IP address of the relay agent is configured, the switch adds this IP address in the DHCP packet.
- The switch forwards the DHCP request that includes the option-82 field to the DHCP server.
- The DHCP server receives the packet. If the server is option-82-capable, it can use the remote ID, the circuit ID, or both to assign IP addresses and implement policies, such as restricting the number of IP addresses that can be assigned to a single remote ID or circuit ID. Then the DHCP server echoes the option-82 field in the DHCP reply.
- The DHCP server unicasts the reply to the switch if the request was relayed to the server by the switch. The switch verifies that it originally inserted the option-82 data by inspecting the remote ID and possibly the circuit ID fields. The switch removes the option-82 field and forwards the packet to the switch port that connects to the DHCP client that sent the DHCP request.

In the default suboption configuration, when the described sequence of events occurs, the values in these fields in [Figure 20-2](#) do not change:

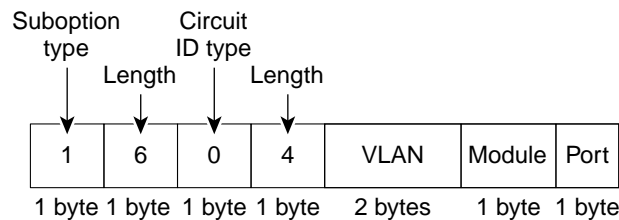
- Circuit ID suboption fields
  - Suboption type
  - Length of the suboption type
  - Circuit ID type
  - Length of the circuit ID type
- Remote ID suboption fields
  - Suboption type
  - Length of the suboption type
  - Remote ID type
  - Length of the circuit ID type

In the port field of the circuit ID suboption, the port numbers start at 3. For example, on a switch with 24 10/100 ports and small form-factor pluggable (SFP) module slots, port 3 is the Fast Ethernet 0/1 port, port 4 is the Fast Ethernet 0/2 port, and so forth. Port 27 is the SFP module slot 0/1, and so forth.

Figure 20-2 shows the packet formats for the remote ID suboption and the circuit ID suboption when the default suboption configuration is used. The switch uses the packet formats when DHCP snooping is globally enabled and when the **ip dhcp snooping information option** global configuration command is entered.

Figure 20-2 Suboption Packet Formats

### Circuit ID Suboption Frame Format



### Remote ID Suboption Frame Format

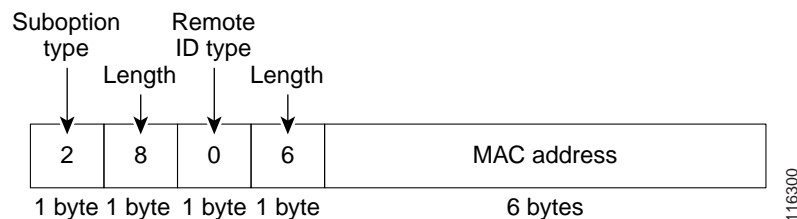
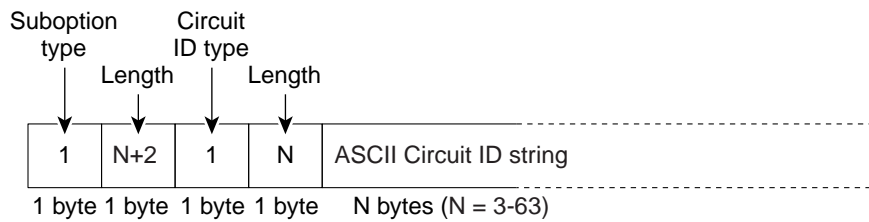
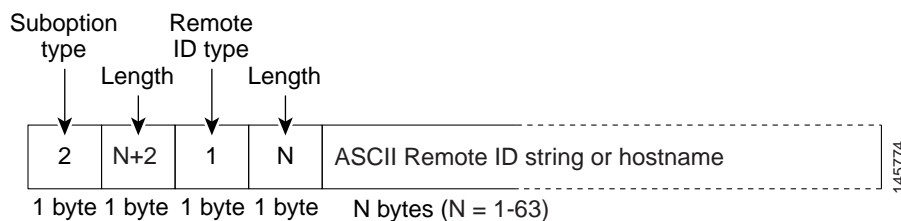


Figure 20-3 shows the packet formats for user-configured remote-ID and circuit-ID suboptions. The switch uses these packet formats when you globally enable DHCP snooping and enter the **ip dhcp snooping information option format remote-id** global configuration command and the **ip dhcp snooping vlan information option format-type circuit-id string** interface configuration command.

The values for these fields in the packets change from the default values when you configure the remote-ID and circuit-ID suboptions:

- Circuit-ID suboption fields
  - The circuit-ID type is 1.
  - The length values are variable, depending on the length of the string that you configure.
- Remote-ID suboption fields
  - The remote-ID type is 1.
  - The length values are variable, depending on the length of the string that you configure.

Figure 20-3 User-Configured Suboption Packet Formats

**Circuit ID Suboption Frame Format (for user-configured string):****Remote ID Suboption Frame Format (for user-configured string):**

## Cisco IOS DHCP Server Database

During the DHCP-based autoconfiguration process, the designated DHCP server uses the Cisco IOS DHCP server database. It has IP addresses, *address bindings*, and configuration parameters, such as the boot file.

An address binding is a mapping between an IP address and a MAC address of a host in the Cisco IOS DHCP server database. You can manually assign the client IP address, or the DHCP server can allocate an IP address from a DHCP address pool. For more information about manual and automatic address bindings, see the “Configuring DHCP” chapter of the *Cisco IOS IP Configuration Guide, Release 12.2*.

## DHCP Snooping Binding Database

When DHCP snooping is enabled, the switch uses the DHCP snooping binding database to store information about untrusted interfaces. The database can have up to 8192 bindings.

Each database entry (*binding*) has an IP address, an associated MAC address, the lease time (in hexadecimal format), the interface to which the binding applies, and the VLAN to which the interface belongs. The database agent stores the bindings in a file at a configured location. At the end of each entry is a *checksum* value that accounts for all the bytes associated with the entry. Each entry is 72 bytes, followed by a space and then the checksum value.

To keep the bindings when the switch reloads, you must use the DHCP snooping database agent. If the agent is disabled, dynamic ARP inspection or IP source guard is enabled, and the DHCP snooping binding database has dynamic bindings, the switch loses its connectivity. If the agent is disabled and only DHCP snooping is enabled, the switch does not lose its connectivity, but DHCP snooping might not prevent DHCP spoofing attacks.

When reloading, the switch reads the binding file to build the DHCP snooping binding database. The switch keeps the file current by updating it when the database changes.



When a switch learns of new bindings or when it loses bindings, the switch immediately updates the entries in the database. The switch also updates the entries in the binding file. The frequency at which the file is updated is based on a configurable delay, and the updates are batched. If the file is not updated in a specified time (set by the `write-delay` and `abort-timeout` values), the update stops.

This is the format of the file that has the bindings:

```
<initial-checksum>
TYPE DHCP-SNOOPING
VERSION 1
BEGIN
<entry-1> <checksum-1>
<entry-2> <checksum-1-2>
...
...
<entry-n> <checksum-1-2-...-n>
END
```

Each entry in the file is tagged with a checksum value that the switch uses to verify the entries when it reads the file. The *initial-checksum* entry on the first line distinguishes entries associated with the latest file update from entries associated with a previous file update.

This is an example of a binding file:

```
2bb4c2a1
TYPE DHCP-SNOOPING
VERSION 1
BEGIN
192.1.168.1 3 0003.47d8.c91f 2BB6488E Fa1/0/4 21ae5fbb
192.1.168.3 3 0003.44d6.c52f 2BB648EB Fa1/0/4 1bdb223f
192.1.168.2 3 0003.47d9.c8f1 2BB648AB Fa1/0/4 584a38f0
END
```

When the switch starts and the calculated checksum value equals the stored checksum value, the switch reads entries from the binding file and adds the bindings to its DHCP snooping binding database. The switch ignores an entry when one of these situations occurs:

- The switch reads the entry and the calculated checksum value does not equal the stored checksum value. The entry and the ones following it are ignored.
- An entry has an expired lease time (the switch might not remove a binding entry when the lease time expires).
- The interface in the entry no longer exists on the system.
- The interface is a routed interface or a DHCP snooping-trusted interface.

## Configuring DHCP Features

- [Default DHCP Configuration, page 20-8](#)
- [DHCP Snooping Configuration Guidelines, page 20-8](#)
- [Configuring the DHCP Server, page 20-9](#)
- [Configuring the DHCP Relay Agent, page 20-10](#)
- [Specifying the Packet Forwarding Address, page 20-10](#)
- [Enabling DHCP Snooping and Option 82, page 20-11](#)
- [Enabling DHCP Snooping on Private VLANs, page 20-13](#)

- [Enabling the Cisco IOS DHCP Server Database, page 20-13](#)
- [Enabling the DHCP Snooping Binding Database Agent, page 20-13](#)

## Default DHCP Configuration

Table 20-1 shows the default DHCP configuration.

**Table 20-1** Default DHCP Configuration

Feature	Default Setting
DHCP server	Enabled in Cisco IOS software, requires configuration <sup>1</sup>
DHCP relay agent	Enabled <sup>2</sup>
DHCP packet forwarding address	None configured
Checking the relay agent information	Enabled (invalid messages are dropped) <sup>2</sup>
DHCP relay agent forwarding policy	Replace the existing relay agent information <sup>2</sup>
DHCP snooping enabled globally	Disabled
DHCP snooping information option	Enabled
DHCP snooping option to accept packets on untrusted ingress interfaces <sup>3</sup>	Disabled
DHCP snooping limit rate	None configured
DHCP snooping trust	Untrusted
DHCP snooping VLAN	Disabled
DHCP snooping MAC address verification	Enabled
Cisco IOS DHCP server binding database	Enabled in Cisco IOS software, requires configuration. <b>Note</b> The switch gets network addresses and configuration parameters only from a device configured as a DHCP server.
DHCP snooping binding database agent	Enabled in Cisco IOS software, requires configuration. This feature is operational only when a destination is configured.

1. The switch responds to DHCP requests only if it is configured as a DHCP server.
2. The switch relays DHCP packets only if the IP address of the DHCP server is configured on the SVI of the DHCP client.
3. Use this feature when the switch is an aggregation switch that receives packets with option-82 information from an edge switch.

## DHCP Snooping Configuration Guidelines

- You must globally enable DHCP snooping on the switch.
- DHCP snooping is not active until DHCP snooping is enabled on a VLAN.
- Before globally enabling DHCP snooping on the switch, make sure that the devices acting as the DHCP server and the DHCP relay agent are configured and enabled.
- Before configuring the DHCP snooping information option on your switch, be sure to configure the device that is acting as the DHCP server. For example, you must specify the IP addresses that the DHCP server can assign or exclude, or you must configure DHCP options for these devices.

- When configuring a large number of circuit IDs on a switch, consider the impact of lengthy character strings on the NVRAM or the flash memory. If the circuit-ID configurations, combined with other data, exceed the capacity of the NVRAM or the flash memory, an error message appears.
- Before configuring the DHCP relay agent on your switch, make sure to configure the device that is acting as the DHCP server. For example, you must specify the IP addresses that the DHCP server can assign or exclude, configure DHCP options for devices, or set up the DHCP database agent.
- If the DHCP relay agent is enabled but DHCP snooping is disabled, the DHCP option-82 data insertion feature is not supported.
- If a switch port is connected to a DHCP server, configure a port as trusted by entering the **ip dhcp snooping trust** interface configuration command.
- If a switch port is connected to a DHCP client, configure a port as untrusted by entering the **no ip dhcp snooping trust** interface configuration command.
- Follow these guidelines when configuring the DHCP snooping binding database:
  - Because both NVRAM and the flash memory have limited storage capacity, we recommend that you store the binding file on a TFTP server.
  - For network-based URLs (such as TFTP and FTP), you must create an empty file at the configured URL before the switch can write bindings to the binding file at that URL. See the documentation for your TFTP server to determine whether you must first create an empty file on the server; some TFTP servers cannot be configured this way.
  - To ensure that the lease time in the database is accurate, we recommend that NTP is enabled and configured. For more information, see the [“Configuring NTP” section on page 5-4](#).
  - If NTP is configured, the switch writes binding changes to the binding file only when the switch system clock is synchronized with NTP.
- Do not enter the **ip dhcp snooping information option allowed-untrusted** command on an aggregation switch to which an untrusted device is connected. If you enter this command, an untrusted device might spoof the option-82 information.
- You can display DHCP snooping statistics by entering the **show ip dhcp snooping statistics** user EXEC command, and you can clear the snooping statistics counters by entering the **clear ip dhcp snooping statistics** privileged EXEC command.

**Note**

Do not enable Dynamic Host Configuration Protocol (DHCP) snooping on RSPAN VLANs. If DHCP snooping is enabled on RSPAN VLANs, DHCP packets might not reach the RSPAN destination port.

## Configuring the DHCP Server

The switch can act as a DHCP server. By default, the Cisco IOS DHCP server and relay agent features are enabled on your switch but are not configured. These features are not operational.

For procedures to configure the switch as a DHCP server, see the “Configuring DHCP” section of the “IP addressing and Services” section of the *Cisco IOS IP Configuration Guide, Release 12.2*.

## Configuring the DHCP Relay Agent

Beginning in privileged EXEC mode, follow these steps to enable the DHCP relay agent on the switch:

	Command	Purpose
Step 1	<b>configure terminal</b>	Enter global configuration mode.
Step 2	<b>service dhcp</b>	Enable the DHCP relay agent on your switch. By default, this feature is enabled.
Step 3	<b>end</b>	Return to privileged EXEC mode.
Step 4	<b>show running-config</b>	Verify your entries.
Step 5	<b>copy running-config startup-config</b>	(Optional) Save your entries in the configuration file.

To disable the DHCP relay agent, use the **no service dhcp** global configuration command.

See the “*Configuring DHCP*” section of the “IP Addressing and Services” section of the *Cisco IOS IP Configuration Guide, Release 12.2* for these procedures:

- Checking (validating) the relay agent information
- Configuring the relay agent forwarding policy

## Specifying the Packet Forwarding Address

If the DHCP server and the DHCP clients are on different networks or subnets and the switch is running the metro IP access image, you must configure the switch with the **ip helper-address address** interface configuration command. The general rule is to configure the command on the Layer 3 interface closest to the client. The address used in the **ip helper-address** command can be a specific DHCP server IP address, or it can be the network address if other DHCP servers are on the destination network segment. Using the network address enables any DHCP server to respond to requests.

Beginning in privileged EXEC mode, follow these steps to specify the packet forwarding address:

	Command	Purpose
Step 1	<b>configure terminal</b>	Enter global configuration mode.
Step 2	<b>interface vlan <i>vlan-id</i></b>	Create a switch virtual interface by entering a VLAN ID, and enter interface configuration mode.
Step 3	<b>ip address <i>ip-address subnet-mask</i></b>	Configure the interface with an IP address and an IP subnet.
Step 4	<b>ip helper-address <i>address</i></b>	Specify the DHCP packet forwarding address.  The helper address can be a specific DHCP server address, or it can be the network address if other DHCP servers are on the destination network segment. Using the network address enables other servers to respond to DHCP requests.  If you have multiple servers, you can configure one helper address for each server.
Step 5	<b>exit</b>	Return to global configuration mode.

	Command	Purpose
Step 6	<b>interface range</b> <i>port-range</i>	Configure multiple physical ports that are connected to the DHCP clients, and enter interface range configuration mode.
	or	or
	<b>interface</b> <i>interface-id</i>	Configure a single physical port that is connected to the DHCP client, and enter interface configuration mode.
Step 7	<b>no shutdown</b>	Enable the interface(s), if necessary. By default, user network interfaces (UNIs) and enhanced network interfaces (ENIs) are disabled and network node interfaces (NNIs) are enabled.
Step 8	<b>switchport mode access</b>	Define the VLAN membership mode for the port.
Step 9	<b>switchport access vlan</b> <i>vlan-id</i>	Assign the ports to the same VLAN as configured in Step 2.
Step 10	<b>end</b>	Return to privileged EXEC mode.
Step 11	<b>show running-config</b>	Verify your entries.
Step 12	<b>copy running-config startup-config</b>	(Optional) Save your entries in the configuration file.

To remove the DHCP packet forwarding address, use the **no ip helper-address** *address* interface configuration command.

## Enabling DHCP Snooping and Option 82

Beginning in privileged EXEC mode, follow these steps to enable DHCP snooping on the switch:

	Command	Purpose
Step 1	<b>configure terminal</b>	Enter global configuration mode.
Step 2	<b>ip dhcp snooping</b>	Enable DHCP snooping globally.
Step 3	<b>ip dhcp snooping vlan</b> <i>vlan-range</i>	Enable DHCP snooping on a VLAN or range of VLANs. The range is 1 to 4094.  You can enter a single VLAN ID identified by VLAN ID number, a series of VLAN IDs separated by commas, a range of VLAN IDs separated by hyphens, or a range of VLAN IDs separated by entering the starting and ending VLAN IDs separated by a space.
Step 4	<b>ip dhcp snooping information option</b>	Enable the switch to insert and remove DHCP relay information (option-82 field) in forwarded DHCP request messages to the DHCP server. This is the default setting.

	Command	Purpose
Step 5	<b>ip dhcp snooping information option format remote-id</b> [ <i>string ASCII-string</i>   <i>hostname</i> ]	<p>(Optional) Configure the remote-ID suboption.</p> <p>You can configure the remote ID to be:</p> <ul style="list-style-type: none"> <li>String of up to 63 ASCII characters (no spaces)</li> <li>Configured hostname for the switch</li> </ul> <p><b>Note</b> If the hostname is longer than 63 characters, it is truncated to 63 characters in the remote-ID configuration.</p> <p>The default remote ID is the switch MAC address.</p>
Step 6	<b>ip dhcp snooping information option allowed-untrusted</b>	<p>(Optional) If the switch is an aggregation switch connected to an edge switch, enable the switch to accept incoming DHCP snooping packets with option-82 information from the edge switch.</p> <p>The default is disabled.</p> <p><b>Note</b> You must enter this command only on aggregation switches that are connected to trusted devices.</p>
Step 7	<b>interface</b> <i>interface-id</i>	Specify the interface to be configured, and enter interface configuration mode.
Step 8	<b>no shutdown</b>	Enable the port, if necessary. By default, UNIs and ENIs are disabled and NNIs are enabled.
Step 9	<b>ip dhcp snooping vlan</b> <i>vlan</i> <b>information option format-type circuit-id string</b> [ <i>override</i> ] <i>ASCII-string</i>	<p>(Optional) Configure the circuit-ID suboption for the specified interface.</p> <p>Specify the VLAN and port identifier, using a VLAN ID in the range of 1 to 4094. The default circuit ID is the port identifier, in the format <b>vlan-mod-port</b>.</p> <p>You can configure the circuit ID to be a string of 3 to 63 ASCII characters (no spaces).</p> <p>(Optional) Use the <b>override</b> keyword when you do not want the circuit-ID suboption inserted in TLV format to define subscriber information.</p>
Step 10	<b>ip dhcp snooping trust</b>	(Optional) Configure the interface as trusted or untrusted. You can use the <b>no</b> keyword to configure an interface to receive messages from an untrusted client. The default is untrusted.
Step 11	<b>ip dhcp snooping limit rate</b> <i>rate</i>	<p>(Optional) Configure the number of DHCP packets per second that an interface can receive. The range is 1 to 2048. By default, no rate limit is configured.</p> <p><b>Note</b> We recommend an untrusted rate limit of not more than 100 packets per second. If you configure rate limiting for trusted interfaces, you might need to increase the rate limit if the port is a trunk port assigned to more than one VLAN on which DHCP snooping is enabled.</p>
Step 12	<b>exit</b>	Return to global configuration mode.
Step 13	<b>ip dhcp snooping verify mac-address</b>	(Optional) Configure the switch to verify that the source MAC address in a DHCP packet that is received on untrusted ports matches the client hardware address in the packet. The default is to verify that the source MAC address matches the client hardware address in the packet.
Step 14	<b>end</b>	Return to privileged EXEC mode.

	Command	Purpose
Step 15	<b>show running-config</b>	Verify your entries.
Step 16	<b>copy running-config startup-config</b>	(Optional) Save your entries in the configuration file.

To disable DHCP snooping, use the **no ip dhcp snooping** global configuration command. To disable DHCP snooping on a VLAN or range of VLANs, use the **no ip dhcp snooping vlan *vlan-range*** global configuration command. To disable the insertion and removal of the option-82 field, use the **no ip dhcp snooping information option** global configuration command. To configure an aggregation switch to drop incoming DHCP snooping packets with option-82 information from an edge switch, use the **no ip dhcp snooping information option allowed-untrusted** global configuration command.

This example shows how to enable DHCP snooping globally and on VLAN 10 and to configure a rate limit of 100 packets per second on a port:

```
Switch(config)# ip dhcp snooping
Switch(config)# ip dhcp snooping vlan 10
Switch(config)# ip dhcp snooping information option
Switch(config)# interface gigabitethernet0/1
Switch(config-if)# ip dhcp snooping limit rate 100
```

## Enabling DHCP Snooping on Private VLANs

You can enable DHCP snooping on private VLANs. If DHCP snooping is enabled, the configuration is propagated to both a primary VLAN and its associated secondary VLANs. If DHCP snooping is enabled on the primary VLAN, it is also configured on the secondary VLANs.

If DHCP snooping is already configured on the primary VLAN and you configure DHCP snooping with different settings on a secondary VLAN, the configuration for the secondary VLAN does not take effect. You must configure DHCP snooping on the primary VLAN. If DHCP snooping is not configured on the primary VLAN, this message appears when you are configuring DHCP snooping on the secondary VLAN, such as VLAN 200:

```
2w5d:%DHCP_SNOOPING-4-DHCP_SNOOPING_PVLAN_WARNING:DHCP Snooping configuration may not take
effect on secondary vlan 200. DHCP Snooping configuration on secondary vlan is derived
from its primary vlan.
```

The **show ip dhcp snooping** privileged EXEC command output shows all VLANs, including primary and secondary private VLANs, on which DHCP snooping is enabled.

## Enabling the Cisco IOS DHCP Server Database

For procedures to enable and configure the Cisco IOS DHCP server database, see the “DHCP Configuration Task List” section in the “Configuring DHCP” chapter of the *Cisco IOS IP Configuration Guide, Release 12.2*.

## Enabling the DHCP Snooping Binding Database Agent

Beginning in privileged EXEC mode, follow these steps to enable and configure the DHCP snooping binding database agent on the switch:

	Command	Purpose
Step 1	<b>configure terminal</b>	Enter global configuration mode.
Step 2	<b>ip dhcp snooping database</b> <i>{flash:/filename   ftp://user:password@host/filename   http://[[username:password]@]{hostname / host-ip}[/directory] /image-name.tar   rcp://user@host/filename}   tftp://host/filename</i>	Specify the URL for the database agent or the binding file by using one of these forms: <ul style="list-style-type: none"> <li>• <b>flash:/filename</b></li> <li>• <b>ftp://user:password@host/filename</b></li> <li>• <b>http://[[username:password]@]{hostname / host-ip}[/directory] /image-name.tar</b></li> <li>• <b>rcp://user@host/filename</b></li> <li>• <b>tftp://host/filename</b></li> </ul>
Step 3	<b>ip dhcp snooping database timeout</b> <i>seconds</i>	Specify when to stop the database transfer process after the binding database changes.  The range is from 0 to 86400. Use 0 for an infinite duration. The default is 300 seconds (5 minutes).
Step 4	<b>ip dhcp snooping database write-delay</b> <i>seconds</i>	Specify the duration for which the transfer should be delayed after the binding database changes.  The range is from 15 to 86400 seconds. The default is 300 seconds (5 minutes).
Step 5	<b>end</b>	Return to privileged EXEC mode.
Step 6	<b>ip dhcp snooping binding</b> <i>mac-address</i> <b>vlan</b> <i>vlan-id</i> <b>ip-address</b> <b>interface</b> <i>interface-id</i> <b>expiry</b> <i>seconds</i>	(Optional) Add binding entries to the DHCP snooping binding database. The <i>vlan-id</i> range is from 1 to 4904. The <i>seconds</i> range is from 1 to 4294967295.  Enter this command for each entry that you add. <b>Note</b> Use this command when you are testing or debugging the switch.
Step 7	<b>show ip dhcp snooping database</b> <b>[detail]</b>	Display the status and statistics of the DHCP snooping binding database agent.
Step 8	<b>copy running-config startup-config</b>	(Optional) Save your entries in the configuration file.

To stop using the database agent and binding files, use the **no ip dhcp snooping database** global configuration command. To reset the timeout or delay values, use the **ip dhcp snooping database timeout** *seconds* or the **ip dhcp snooping database write-delay** *seconds* global configuration command.

To clear the statistics of the DHCP snooping binding database agent, use the **clear ip dhcp snooping database statistics** privileged EXEC command. To renew the database, use the **renew ip dhcp snooping database** privileged EXEC command.

To delete binding entries from the DHCP snooping binding database, use the **no ip dhcp snooping binding** *mac-address* **vlan** *vlan-id* **ip-address** **interface** *interface-id* privileged EXEC command. Enter this command for each entry that you delete.



## Displaying DHCP Snooping Information

To display the DHCP snooping information, use one or more of the privileged EXEC commands in [Table 20-2](#):

**Table 20-2** *Commands for Displaying DHCP Information*

Command	Purpose
<code>show ip dhcp snooping</code>	Displays the DHCP snooping configuration for a switch
<code>show ip dhcp snooping binding</code>	Displays only the dynamically configured bindings in the DHCP snooping binding database, also referred to as a binding table. <sup>1</sup>
<code>show ip dhcp snooping database</code>	Displays the DHCP snooping binding database status and statistics.
<code>show ip dhcp snooping statistics</code>	Displays the DHCP snooping statistics in summary or detail form.
<code>show ip source binding</code>	Display the dynamically and statically configured bindings.

1. If DHCP snooping is enabled and an interface changes to the down state, the switch does not delete the manually configured bindings.

## Understanding DHCP Server Port-Based Address Allocation

DHCP server port-based address allocation is a feature that enables DHCP to maintain the same IP address on an Ethernet switch port regardless of the attached device client identifier or client hardware address.

When Ethernet switches are deployed in the network, they offer connectivity to the directly connected devices. In some environments, such as on a factory floor, if a device fails, the replacement device must be working immediately in the existing network. With the current DHCP implementation, there is no guarantee that DHCP would offer the same IP address to the replacement device. Control, monitoring, and other software expect a stable IP address associated with each device. If a device is replaced, the address assignment should remain stable even though the DHCP client has changed.

When configured, the DHCP server port-based address allocation feature ensures that the same IP address is always offered to the same connected port even as the client identifier or client hardware address changes in the DHCP messages received on that port. The DHCP protocol recognizes DHCP clients by the client identifier option in the DHCP packet. Clients that do not include the client identifier option are identified by the client hardware address. When you configure this feature, the port name of the interface overrides the client identifier or hardware address and the actual point of connection, the switch port, becomes the client identifier.

In all cases, by connecting the Ethernet cable to the same port, the same IP address is allocated through DHCP to the attached device.

The DHCP server port-based address allocation feature is only supported on a Cisco IOS DHCP server and not a third-party server.

## Configuring DHCP Server Port-Based Address Allocation

- [Default Port-Based Address Allocation Configuration](#), page 20-16
- [Port-Based Address Allocation Configuration Guidelines](#), page 20-16
- [Enabling DHCP Server Port-Based Address Allocation](#), page 20-16

## Default Port-Based Address Allocation Configuration

By default, DHCP server port-based address allocation is disabled.

## Port-Based Address Allocation Configuration Guidelines

These are the configuration guidelines for DHCP port-based address allocation:

- Only one IP address can be assigned per port.
- Reserved addresses (preassigned) cannot be cleared by using the **clear ip dhcp binding** global configuration command.
- Preassigned addresses are automatically excluded from normal dynamic IP address assignment. Preassigned addresses cannot be used in host pools, but there can be multiple preassigned addresses per DHCP address pool.
- To restrict assignments from the DHCP pool to preconfigured reservations (unreserved addresses are not offered to the client and other clients are not served by the pool), you can enter the **reserved-only** DHCP pool configuration command.

## Enabling DHCP Server Port-Based Address Allocation

Beginning in privileged EXEC mode, follow these steps to globally enable port-based address allocation and to automatically generate a subscriber identifier on an interface.

	Command	Purpose
Step 1	<b>configure terminal</b>	Enter global configuration mode.
Step 2	<b>ip dhcp use subscriber-id client-id</b>	Configure the DHCP server to globally use the subscriber identifier as the client identifier on all incoming DHCP messages.
Step 3	<b>ip dhcp subscriber-id interface-name</b>	Automatically generate a subscriber identifier based on the short name of the interface.  A subscriber identifier configured on a specific interface takes precedence over this command.
Step 4	<b>interface interface-id</b>	Specify the interface to be configured, and enter interface configuration mode.
Step 5	<b>ip dhcp server use subscriber-id client-id</b>	Configure the DHCP server to use the subscriber identifier as the client identifier on all incoming DHCP messages on the interface.
Step 6	<b>end</b>	Return to privileged EXEC mode.
Step 7	<b>show running config</b>	Verify your entries.
Step 8	<b>copy running-config startup-config</b>	(Optional) Save your entries in the configuration file.

After enabling DHCP port-based address allocation on the switch, use the **ip dhcp pool** global configuration command to preassign IP addresses and to associate them to clients. To restrict assignments from the DHCP pool to preconfigured reservations, you can enter the **reserved-only** DHCP pool configuration command. Unreserved addresses that are part of the network or on pool ranges are

not offered to the client, and other clients are not served by the pool. By entering this command, users can configure a group of switches with DHCP pools that share a common IP subnet and that ignore requests from clients of other switches.

Beginning in privileged EXEC mode follow these steps to preassign an IP address and to associate it to a client identified by the interface name.

	Command	Purpose
Step 1	<b>configure terminal</b>	Enter global configuration mode.
Step 2	<b>ip dhcp pool</b> <i>poolname</i>	Enter DHCP pool configuration mode, and define the name for the DHCP pool. The pool name can be a symbolic string (such as Engineering) or an integer (such as 0).
Step 3	<b>network</b> <i>network-number</i> [ <i>mask</i>   <i>/prefix-length</i> ]	Specify the subnet network number and mask of the DHCP address pool.
Step 4	<b>address</b> <i>ip-address</i> <b>client-id</b> <i>string</i> [ <i>ascii</i> ]	Reserve an IP address for a DHCP client identified by the interface name.  <i>string</i> —can be an ASCII value or a hexadecimal value.
Step 5	<b>reserved-only</b>	(Optional) Use only reserved addresses in the DHCP address pool. The default is to not restrict pool addresses.
Step 6	<b>end</b>	Return to privileged EXEC mode.
Step 7	<b>show ip dhcp pool</b>	Verify DHCP pool configuration.
Step 8	<b>copy running-config startup-config</b>	(Optional) Save your entries in the configuration file.

To disable DHCP port-based address allocation, use the **no ip dhcp use subscriber-id client-id** global configuration command. To disable the automatic generation of a subscriber identifier, use the **no ip dhcp subscriber-id interface-name** global configuration command. To disable the subscriber identifier on an interface, use the **no ip dhcp server use subscriber-id client-id** interface configuration command.

To remove an IP address reservation from a DHCP pool, use the **no address ip-address client-id string** DHCP pool configuration command. To change the address pool to nonrestricted, enter the **no reserved-only** DHCP pool configuration command.

In this example, a subscriber identifier is automatically generated, and the DHCP server ignores any client identifier fields in the DHCP messages and uses the subscriber identifier instead. The subscriber identifier is based on the short name of the interface and the client preassigned IP address 10.1.1.7.

```
switch# show running config
Building configuration...
Current configuration : 4899 bytes
!
version 12.2
!
hostname switch
!
no aaa new-model
clock timezone EST 0
ip subnet-zero
ip dhcp relay information policy removal pad
no ip dhcp use vrf connected
ip dhcp use subscriber-id client-id
ip dhcp subscriber-id interface-name
ip dhcp excluded-address 10.1.1.1 10.1.1.3
!
ip dhcp pool dhcpool
 network 10.1.1.0 255.255.255.0
 address 10.1.1.7 client-id "Et1/0" ascii
<output truncated>
```

This example shows that the preassigned address was correctly reserved in the DHCP pool:

```
Switch# show ip dhcp pool dhcpool
Pool dhcp pool:
Utilization mark (high/low) : 100 / 0
Subnet size (first/next) : 0 / 0
Total addresses : 254
Leased addresses : 0
Excluded addresses : 4
Pending event : none
1 subnet is currently in the pool:
Current index   IP address range           Leased/Excluded/Total
10.1.1.1       10.1.1.1 - 10.1.1.254     0 / 4 / 254
1 reserved address is currently in the pool
Address        Client
10.1.1.7      Et1/0
```

For more information about configuring the DHCP server port-based address allocation feature, go to Cisco.com, and enter *Cisco IOS IP Addressing Services* in the Search field to access the Cisco IOS software documentation. You can also access the documentation here:

[http://www.cisco.com/en/US/docs/ios/ipaddr/command/reference/iad\\_book.html](http://www.cisco.com/en/US/docs/ios/ipaddr/command/reference/iad_book.html)

## Displaying DHCP Server Port-Based Address Allocation

To display the DHCP server port-based address allocation information, use one or more of the privileged EXEC commands in [Table 20-3](#):

**Table 20-3** *Commands for Displaying DHCP Port-Based Address Allocation Information*

Command	Purpose
<code>show interface interface id</code>	Display the status and configuration of a specific interface.
<code>show ip dhcp pool</code>	Display the DHCP address pools.
<code>show ip dhcp binding</code>	Display address bindings on the Cisco IOS DHCP server.

## Understanding IP Source Guard

IPSG is a security feature that restricts IP traffic on nonrouted, Layer 2 interfaces by filtering traffic based on the DHCP snooping binding database and on manually configured IP source bindings. You can use IP source guard to prevent traffic attacks if a host tries to use the IP address of its neighbor.

You can enable IP source guard when DHCP snooping is enabled on an untrusted interface. After IPSG is enabled on an interface, the switch blocks all IP traffic received on the interface except for DHCP packets allowed by DHCP snooping. A port access control list (ACL) is applied to the interface. The port ACL allows only IP traffic with a source IP address in the IP source binding table and denies all other traffic.



### Note

The port ACL takes precedence over any router ACLs or VLAN maps that affect the same interface.

The IP source binding table has bindings that are learned by DHCP snooping or are manually configured (static IP source bindings). An entry in this table has an IP address, its associated MAC address, and its associated VLAN number. The switch uses the IP source binding table only when IP source guard is enabled.

IP source guard is supported only on Layer 2 ports, including access and trunk ports. You can configure IP source guard with source IP address filtering or with source IP and MAC address filtering.

These sections contain this information:

- [Source IP Address Filtering, page 20-19](#)
- [Source IP and MAC Address Filtering, page 20-20](#)
- [IP Source Guard for Static Hosts, page 20-20](#)

## Source IP Address Filtering

When IP source guard is enabled with this option, IP traffic is filtered based on the source IP address. The switch forwards IP traffic when the source IP address matches an entry in the DHCP snooping binding database or a binding in the IP source binding table.

When a DHCP snooping binding or static IP source binding is added, changed, or deleted on an interface, the switch modifies the port ACL using the IP source binding changes, and re-applies the port ACL to the interface.

If you enable IP source guard on an interface on which IP source bindings (dynamically learned by DHCP snooping or manually configured) are not configured, the switch creates and applies a port ACL that denies all IP traffic on the interface. If you disable IP source guard, the switch removes the port ACL from the interface.

## Source IP and MAC Address Filtering

When IP source guard is enabled with this option, IP traffic is filtered based on the source IP and MAC addresses. The switch forwards traffic only when the source IP and MAC addresses match an entry in the IP source binding table.

When IP source guard with source IP and MAC address filtering is enabled, the switch filters IP and non-IP traffic. If the source MAC address of an IP or non-IP packet matches a valid IP source binding, the switch forwards the packet. The switch drops all other types of packets except DHCP packets.

The switch uses port security to filter source MAC addresses. The interface can shut down when a port-security violation occurs.

## IP Source Guard for Static Hosts



Note

---

Do not use IPSG (IP source guard) for static hosts on uplink ports or trunk ports.

---

IPSG for static hosts extends the IPSG capability to non-DHCP and static environments. The previous IPSG used the entries created by DHCP snooping to validate the hosts connected to a switch. Any traffic received from a host without a valid DHCP binding entry is dropped. This security feature restricts IP traffic on nonrouted Layer 2 interfaces. It filters traffic based on the DHCP snooping binding database and on manually configured IP source bindings. The previous version of IPSG required a DHCP environment for IPSG to work.

IPSG for static hosts allows IPSG to work without DHCP. IPSG for static hosts relies on IP device tracking-table entries to install port ACLs. The switch creates static entries based on ARP requests or other IP packets to maintain the list of valid hosts for a given port. You can also specify the number of hosts allowed to send traffic to a given port. This is equivalent to port security at Layer 3.

IPSG for static hosts also supports dynamic hosts. If a dynamic host receives a DHCP-assigned IP address that is available in the IP DHCP snooping table, the same entry is learned by the IP device tracking table. When you enter the **show ip device tracking all EXEC** command, the IP device tracking table displays the entries as ACTIVE.



Note

---

Some IP hosts with multiple network interfaces can inject some invalid packets into a network interface. The invalid packets contain the IP or MAC address for another network interface of the host as the source address. The invalid packets can cause IPSG for static hosts to connect to the host, to learn the invalid IP or MAC address bindings, and to reject the valid bindings. Consult the vendor of the corresponding operating system and the network interface to prevent the host from injecting invalid packets.

---

IPSG for static hosts initially learns IP or MAC bindings dynamically through an ACL-based snooping mechanism. IP or MAC bindings are learned from static hosts by ARP and IP packets. They are stored in the device tracking database. When the number of IP addresses that have been dynamically learned or statically configured on a given port reaches a maximum, the hardware drops any packet with a new IP address. To resolve hosts that have moved or gone away for any reason, IPSG for static hosts leverages IP device tracking to age out dynamically learned IP address bindings. This feature can be used with DHCP snooping. Multiple bindings are established on a port that is connected to both DHCP and static hosts. For example, bindings are stored in both the device tracking database as well as in the DHCP snooping binding database.

# Configuring IP Source Guard

- [Default IP Source Guard Configuration, page 20-21](#)
- [IP Source Guard Configuration Guidelines, page 20-21](#)
- [Enabling IP Source Guard, page 20-21](#)

## Default IP Source Guard Configuration

By default, IP source guard is disabled.

## IP Source Guard Configuration Guidelines

These are the configuration guides for IP source guard:

- You can configure static IP bindings only on nonrouted ports. If you enter the **ip source binding mac-address vlan vlan-id ip-address interface interface-id** global configuration command on a routed interface, this error message appears:  

```
Static IP source binding can only be configured on switch port.
```
- When IP source guard with source IP filtering is enabled on an interface, DHCP snooping must be enabled on the access VLAN to which the interface belongs.
- If you are enabling IP source guard on a trunk interface with multiple VLANs and DHCP snooping is enabled on all the VLANs, the source IP address filter is applied on all the VLANs.



---

**Note** If IP source guard is enabled and you enable or disable DHCP snooping on a VLAN on the trunk interface, the switch might not properly filter traffic.

---

- If you enable IP source guard with source IP and MAC address filtering, DHCP snooping and port security must be enabled on the interface. You must also enter the **ip dhcp snooping information option** global configuration command and ensure that the DHCP server supports option 82. When IP source guard is enabled with MAC address filtering, the DHCP host MAC address is not learned until the host is granted a lease. When forwarding packets from the server to the host, DHCP snooping uses option-82 data to identify the host port.
- When configuring IP source guard on interfaces on which a private VLAN is configured, port security is not supported.
- IP source guard is not supported on EtherChannels.
- You can enable this feature when IEEE 802.1x port-based authentication is enabled.
- If the number of ternary content addressable memory (TCAM) entries exceeds the maximum available, the CPU usage increases.

## Enabling IP Source Guard

Beginning in privileged EXEC mode, follow these steps to enable and configure IP source guard on an interface.

	Command	Purpose
Step 1	<b>configure terminal</b>	Enter global configuration mode.
Step 2	<b>interface</b> <i>interface-id</i>	Specify the interface to be configured, and enter interface configuration mode.
Step 3	<b>no shutdown</b>	Enable the port, if necessary. By default, UNIs and ENIs are disabled and NNIs are enabled.
Step 4	<b>ip verify source</b> or <b>ip verify source port-security</b>	Enable IP source guard with source IP address filtering.  Enable IP source guard with source IP and MAC address filtering.  <b>Note</b> When you enable both IP Source Guard and Port Security by using the <b>ip verify source port-security</b> interface configuration command, there are two caveats: <ul style="list-style-type: none"> <li>• The DHCP server must support option 82, or the client is not assigned an IP address.</li> <li>• The MAC address in the DHCP packet is not learned as a secure address. The MAC address of the DHCP client is learned as a secure address only when the switch receives non-DHCP data traffic.</li> </ul>
Step 5	<b>exit</b>	Return to global configuration mode.
Step 6	<b>ip source binding</b> <i>mac-address</i> <b>vlan</b> <i>vlan-id</i> <i>ip-address</i> <b>interface</b> <i>interface-id</i>	Add a static IP source binding. Enter this command for each static binding.
Step 7	<b>end</b>	Return to privileged EXEC mode.
Step 8	<b>show ip verify source</b> [ <b>interface</b> <i>interface-id</i> ]	Display the IP source guard configuration for all interfaces or for a specific interface.
Step 9	<b>show ip source binding</b> [ <i>ip-address</i> ] [ <i>mac-address</i> ] [ <b>dhcp-snooping</b>   <b>static</b> ] [ <b>interface</b> <i>interface-id</i> ] [ <b>vlan</b> <i>vlan-id</i> ]	Display the IP source bindings on the switch, on a specific VLAN, or on a specific interface.
Step 10	<b>copy running-config startup-config</b>	(Optional) Save your entries in the configuration file.

To disable IP source guard with source IP address filtering, use the **no ip verify source** interface configuration command.

To delete a static IP source binding entry, use the **no ip source** global configuration command.

This example shows how to enable IP source guard with source IP and MAC filtering on VLANs 10 and 11:

```
Switch# configure terminal
Enter configuration commands, one per line. End with CNTL/Z.
Switch(config)# interface gigabitethernet1/0/1
Switch(config-if)# ip verify source port-security
Switch(config-if)# exit
Switch(config)# ip source binding 0100.0022.0010 vlan 10 10.0.0.2 interface
gigabitethernet0/1
Switch(config)# ip source binding 0100.0230.0002 vlan 11 10.0.0.4 interface
gigabitethernet0/1
Switch(config)# end
```



## Configuring IP Source Guard for Static Hosts

- [Configuring IP Source Guard for Static Hosts on a Layer 2 Access Port, page 20-23](#)
- [Configuring IP Source Guard for Static Hosts on a Private VLAN Host Port, page 20-26](#)

### Configuring IP Source Guard for Static Hosts on a Layer 2 Access Port



#### Note

You must configure the **ip device tracking maximum *limit-number*** interface configuration command globally for IPSG for static hosts to work. If you only configure this command on a port without enabling IP device tracking globally or by setting an IP device tracking maximum on that interface, IPSG with static hosts rejects all the IP traffic from that interface. This requirement also applies to IPSG with static hosts on a private VLAN host port.

Beginning in privileged EXEC mode:

	Command	Purpose
Step 1	<b>configure terminal</b>	Enter global configuration mode.
Step 2	<b>ip device tracking</b>	Turn on the IP host table, and globally enable IP device tracking.
Step 3	<b>interface <i>interface-id</i></b>	Enter interface configuration mode.
Step 4	<b>switchport mode access</b>	Configure a port as access.
Step 5	<b>switchport access vlan <i>vlan-id</i></b>	Configure the VLAN for this port.
Step 6	<b>ip verify source tracking port-security</b>	Enable IPSG for static hosts with MAC address filtering.  <b>Note</b> When you enable both IP source guard and port security by using the <b>ip verify source port-security</b> interface configuration command: <ul style="list-style-type: none"> <li>• The DHCP server must support option 82, or the client is not assigned an IP address.</li> <li>• The MAC address in the DHCP packet is not learned as a secure address. The MAC address of the DHCP client is learned as a secure address only when the switch receives non-DHCP data traffic.</li> </ul>
Step 7	<b>ip device tracking maximum <i>number</i></b>	Establish a maximum limit for the number of static IPs that the IP device tracking table allows on the port. The range is 1 to 10. The maximum number is 10.  <b>Note</b> You must configure the <b>ip device tracking maximum <i>limit-number</i></b> interface configuration command.
Step 8	<b>switchport port-security</b>	(Optional) Activate port security for this port.
Step 9	<b>switchport port-security maximum <i>value</i></b>	(Optional) Establish a maximum of MAC addresses for this port.
Step 10	<b>end</b>	Return to privileged EXEC mode.

	Command	Purpose
Step 11	<b>show ip verify source interface <i>interface-id</i></b>	Verify the configuration and display IPSG permit ACLs for static hosts.
Step 12	<b>show ip device track all [active   inactive] count</b>	Verify the configuration by displaying the IP-to-MAC binding for a given host on the switch interface. <ul style="list-style-type: none"> <li>• <b>all active</b>—display only the active IP or MAC binding entries</li> <li>• <b>all inactive</b>—display only the inactive IP or MAC binding entries</li> <li>• <b>all</b>—display the active and inactive IP or MAC binding entries</li> </ul>

This example shows how to stop IPSG with static hosts on an interface.

```
Switch(config-if)# no ip verify source
Switch(config-if)# no ip device tracking max
```

This example shows how to enable IPSG with static hosts on a port.

```
Switch(config)# ip device tracking
Switch(config)# ip device tracking max 10
Switch(config-if)# ip verify source tracking port-security
```

This example shows how to enable IPSG for static hosts with IP filters on a Layer 2 access port and to verify the valid IP bindings on the interface Gi0/3:

```
Switch# configure terminal
Enter configuration commands, one per line. End with CNTL/Z.
Switch(config)# ip device tracking
Switch(config)# interface gigabitethernet0/3
Switch(config-if)# switchport mode access
Switch(config-if)# switchport access vlan 10
Switch(config-if)# ip device tracking maximum 5
Switch(config-if)# ip verify source tracking
Switch(config-if)# end
```

```
Switch# show ip verify source
Interface  Filter-type  Filter-mode  IP-address      Mac-address      Vlan
-----  -
Gi0/3     ip trk      active      40.1.1.24      -----
Gi0/3     ip trk      active      40.1.1.20      -----
Gi0/3     ip trk      active      40.1.1.21      -----
```

This example shows how to enable IPSG for static hosts with IP-MAC filters on a Layer 2 access port, to verify the valid IP-MAC bindings on the interface Gi0/3, and to verify that the number of bindings on this interface has reached the maximum:

```
Switch# configure terminal
Enter configuration commands, one per line. End with CNTL/Z.
Switch(config)# ip device tracking
Switch(config)# interface gigabitethernet 0/3
Switch(config-if)# switchport mode access
Switch(config-if)# switchport access vlan 1
Switch(config-if)# ip device tracking maximum 5
Switch(config-if)# switchport port-security
Switch(config-if)# switchport port-security maximum 5
Switch(config-if)# ip verify source tracking port-security
Switch(config-if)# end
```

```
Switch# show ip verify source
Interface  Filter-type  Filter-mode  IP-address  Mac-address  Vlan
-----
Gi0/3     ip-mac trk  active      40.1.1.24   00:00:00:00:03:04  1
Gi0/3     ip-mac trk  active      40.1.1.20   00:00:00:00:03:05  1
Gi0/3     ip-mac trk  active      40.1.1.21   00:00:00:00:03:06  1
Gi0/3     ip-mac trk  active      40.1.1.22   00:00:00:00:03:07  1
Gi0/3     ip-mac trk  active      40.1.1.23   00:00:00:00:03:08  1
```

This example displays all IP or MAC binding entries for all interfaces. The CLI displays all active as well as inactive entries. When a host is learned on a interface, the new entry is marked as active. When the same host is disconnected from that interface and connected to a different interface, a new IP or MAC binding entry displays as active as soon as the host is detected. The old entry for this host on the previous interface is marked as INACTIVE.

```
Switch# show ip device tracking all
IP Device Tracking = Enabled
IP Device Tracking Probe Count = 3
IP Device Tracking Probe Interval = 30
-----
  IP Address      MAC Address      Vlan  Interface      STATE
-----
200.1.1.8        0001.0600.0000  8     GigabitEthernet0/1  INACTIVE
200.1.1.9        0001.0600.0000  8     GigabitEthernet0/1  INACTIVE
200.1.1.10       0001.0600.0000  8     GigabitEthernet0/1  INACTIVE
200.1.1.1        0001.0600.0000  9     GigabitEthernet0/2  ACTIVE
200.1.1.1.1      0001.0600.0000  8     GigabitEthernet0/1  INACTIVE
200.1.1.1.2      0001.0600.0000  9     GigabitEthernet0/2  ACTIVE
200.1.1.1.2      0001.0600.0000  8     GigabitEthernet0/1  INACTIVE
200.1.1.1.3      0001.0600.0000  9     GigabitEthernet0/2  ACTIVE
200.1.1.1.3      0001.0600.0000  8     GigabitEthernet0/1  INACTIVE
200.1.1.1.4      0001.0600.0000  9     GigabitEthernet0/2  ACTIVE
200.1.1.1.4      0001.0600.0000  8     GigabitEthernet0/1  INACTIVE
200.1.1.1.5      0001.0600.0000  9     GigabitEthernet0/2  ACTIVE
200.1.1.1.5      0001.0600.0000  8     GigabitEthernet0/1  INACTIVE
200.1.1.1.6      0001.0600.0000  8     GigabitEthernet0/1  INACTIVE
200.1.1.1.7      0001.0600.0000  8     GigabitEthernet0/1  INACTIVE
```

This example displays all active IP or MAC binding entries for all interfaces:

```
Switch# show ip device tracking all active
IP Device Tracking = Enabled
IP Device Tracking Probe Count = 3
IP Device Tracking Probe Interval = 30
-----
  IP Address      MAC Address      Vlan  Interface      STATE
-----
200.1.1.1        0001.0600.0000  9     GigabitEthernet0/1  ACTIVE
200.1.1.2        0001.0600.0000  9     GigabitEthernet0/1  ACTIVE
200.1.1.3        0001.0600.0000  9     GigabitEthernet0/1  ACTIVE
200.1.1.4        0001.0600.0000  9     GigabitEthernet0/1  ACTIVE
200.1.1.5        0001.0600.0000  9     GigabitEthernet0/1  ACTIVE
```

This example displays all inactive IP or MAC binding entries for all interfaces. The host was first learned on GigabitEthernet 0/1 and then moved to GigabitEthernet 0/2. the IP or MAC binding entries learned on GigabitEthernet 0/1 are marked as inactive.

```
Switch# show ip device tracking all inactive
IP Device Tracking = Enabled
IP Device Tracking Probe Count = 3
IP Device Tracking Probe Interval = 30
-----
  IP Address      MAC Address      Vlan  Interface      STATE
-----
```

```

-----
200.1.1.8      0001.0600.0000  8  GigabitEthernet0/1  INACTIVE
200.1.1.9      0001.0600.0000  8  GigabitEthernet0/1  INACTIVE
200.1.1.10     0001.0600.0000  8  GigabitEthernet0/1  INACTIVE
200.1.1.1      0001.0600.0000  8  GigabitEthernet0/1  INACTIVE
200.1.1.2      0001.0600.0000  8  GigabitEthernet0/1  INACTIVE
200.1.1.3      0001.0600.0000  8  GigabitEthernet0/1  INACTIVE
200.1.1.4      0001.0600.0000  8  GigabitEthernet0/1  INACTIVE
200.1.1.5      0001.0600.0000  8  GigabitEthernet0/1  INACTIVE
200.1.1.6      0001.0600.0000  8  GigabitEthernet0/1  INACTIVE
200.1.1.7      0001.0600.0000  8  GigabitEthernet0/1  INACTIVE
-----

```

This example displays the count of all IP device tracking host entries for all interfaces:

```

Switch# show ip device tracking all count
Total IP Device Tracking Host entries: 5
-----

```

```

-----
Interface          Maximum Limit      Number of Entries
-----
Gi0/3              5
-----

```

## Configuring IP Source Guard for Static Hosts on a Private VLAN Host Port




### Note

You must globally configure the **ip device tracking maximum *limit-number*** interface configuration command globally for IPSG for static hosts to work. If you only configure this command on a port without enabling IP device tracking globally or setting an IP device tracking maximum on that interface, IPSG with static hosts will reject all the IP traffic from that interface. This requirement also applies to IPSG with static hosts on a Layer 2 access port.

Beginning in privileged EXEC mode, follow these steps to configure IPSG for static hosts with IP filters on a Layer 2 access port:

	Command	Purpose
Step 1	<b>configure terminal</b>	Enter global configuration mode.
Step 2	<b>vlan <i>vlan-id1</i></b>	Enter VLAN configuration mode.
Step 3	<b>private-vlan primary</b>	Establish a primary VLAN on a private VLAN port.
Step 4	<b>exit</b>	Exit VLAN configuration mode.
Step 5	<b>vlan <i>vlan-id2</i></b>	Enter configuration VLAN mode for another VLAN.
Step 6	<b>private-vlan isolated</b>	Establish an isolated VLAN on a private VLAN port.
Step 7	<b>exit</b>	Exit VLAN configuration mode.
Step 8	<b>vlan <i>vlan-id1</i></b>	Enter configuration VLAN mode.
Step 9	<b>private-vlan association 201</b>	Associate the VLAN on an isolated private VLAN port.
Step 10	<b>exit</b>	Exit VLAN configuration mode.
Step 11	<b>interface fastEthernet <i>interface-id</i></b>	Enter interface configuration mode.
Step 12	<b>switchport mode private-vlan host</b>	(Optional) Establish a port as a private VLAN host.
Step 13	<b>switchport private-vlan host-association <i>vlan-id1</i> <i>vlan-id2</i></b>	(Optional) Associate this port with the corresponding private VLAN.

	Command	Purpose
Step 14	<b>ip device tracking maximum</b> <i>number</i>	Establish a maximum for the number of static IPs that the IP device tracking table allows on the port. The maximum is 10.  <b>Note</b> You must globally configure the <b>ip device tracking maximum</b> <i>number</i> interface command for IPSG for static hosts to work.
Step 15	<b>ip verify source tracking</b> [ <b>port-security</b> ]	Activate IPSG for static hosts with MAC address filtering on this port.
Step 16	<b>end</b>	Exit configuration interface mode.
Step 17	<b>show ip device tracking all</b>	Verify the configuration.
Step 18	<b>show ip verify source interface</b> <i>interface-id</i>	Verify the IP source guard configuration. Display IPSG permit ACLs for static hosts.

This example shows how to enable IPSG for static hosts with IP filters on a private VLAN host port:

```
Switch(config)# vlan 200
Switch(config-vlan)# private-vlan primary
Switch(config-vlan)# exit
Switch(config)# vlan 201
Switch(config-vlan)# private-vlan isolated
Switch(config-vlan)# exit
Switch(config)# vlan 200
Switch(config-vlan)# private-vlan association 201
Switch(config-vlan)# exit
Switch(config)# int gigabitethernet0/3
Switch(config-if)# switchport mode private-vlan host
Switch(config-if)# switchport private-vlan host-association 200 201
Switch(config-if)# ip device tracking maximum 8
Switch(config-if)# ip verify source tracking
```

```
Switch# show ip device tracking all
IP Device Tracking = Enabled
IP Device Tracking Probe Count = 3
IP Device Tracking Probe Interval = 30
```

```
-----
IP Address      MAC Address    Vlan  Interface      STATE
-----
40.1.1.24       0000.0000.0304 200   FastEthernet0/3 ACTIVE
40.1.1.20       0000.0000.0305 200   FastEthernet0/3 ACTIVE
40.1.1.21       0000.0000.0306 200   FastEthernet0/3 ACTIVE
40.1.1.22       0000.0000.0307 200   FastEthernet0/3 ACTIVE
40.1.1.23       0000.0000.0308 200   FastEthernet0/3 ACTIVE
-----
```

The output shows the five valid IP-MAC bindings that have been learned on the interface Fa0/3. For the private VLAN cases, the bindings are associated with primary VLAN ID. So, in this example, the primary VLAN ID, 200, is shown in the table.

```
Switch# show ip verify source
Interface  Filter-type  Filter-mode  IP-address      Mac-address      Vlan
-----
Fa0/3     ip trk       active       40.1.1.23       -----
Fa0/3     ip trk       active       40.1.1.24       -----
Fa0/3     ip trk       active       40.1.1.20       -----
Fa0/3     ip trk       active       40.1.1.21       -----
```

## ■ Displaying IP Source Guard Information

```

Fa0/3      ip trk      active      40.1.1.22      200
Fa0/3      ip trk      active      40.1.1.23      201
Fa0/3      ip trk      active      40.1.1.24      201
Fa0/3      ip trk      active      40.1.1.20      201
Fa0/3      ip trk      active      40.1.1.21      201
Fa0/30/3   ip trk      active      40.1.1.22      201

```

The output shows that the five valid IP-MAC bindings are on both the primary and secondary VLAN.

## Displaying IP Source Guard Information

To display the IP source guard information, use one or more of the privileged EXEC commands in [Table 20-4](#):

**Table 20-4** *Commands for Displaying IP Source Guard Information*

Command	Purpose
<b>show ip source binding</b>	Display the IP source bindings on a switch.
<b>show ip verify source</b>	Display the IP source guard configuration on the switch.



## Configuring Dynamic ARP Inspection

This chapter describes how to configure dynamic Address Resolution Protocol inspection (dynamic ARP inspection) on the Cisco ME 3400E switch. This feature helps prevent malicious attacks on the switch by not relaying invalid ARP requests and responses to other ports in the same VLAN.



Note

For complete syntax and usage information for the commands used in this chapter, see the command reference for this release.

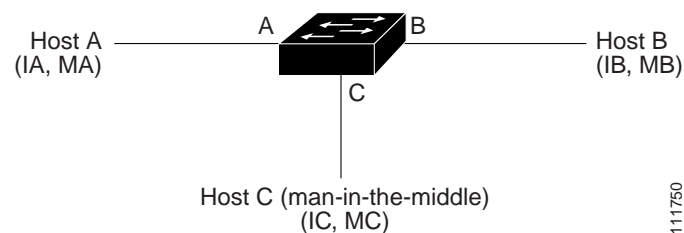
- [Understanding Dynamic ARP Inspection, page 21-1](#)
- [Configuring Dynamic ARP Inspection, page 21-5](#)
- [Displaying Dynamic ARP Inspection Information, page 21-14](#)

## Understanding Dynamic ARP Inspection

ARP provides IP communication within a Layer 2 broadcast domain by mapping an IP address to a MAC address. For example, Host B wants to send information to Host A but does not have the MAC address of Host A in its ARP cache. Host B generates a broadcast message for all hosts within the broadcast domain to obtain the MAC address associated with the IP address of Host A. All hosts within the broadcast domain receive the ARP request, and Host A responds with its MAC address. However, because ARP allows a gratuitous reply from a host even if an ARP request was not received, an ARP spoofing attack and the poisoning of ARP caches can occur. After the attack, all traffic from the device under attack flows through the attacker's computer and then to the router, switch, or host.

A malicious user can attack hosts, switches, and routers connected to your Layer 2 network by poisoning the ARP caches of systems connected to the subnet and by intercepting traffic intended for other hosts on the subnet. [Figure 21-1](#) shows an example of ARP cache poisoning.

**Figure 21-1** ARP Cache Poisoning



Hosts A, B, and C are connected to the switch on interfaces A, B and C, all of which are on the same subnet. Their IP and MAC addresses are shown in parentheses; for example, Host A uses IP address IA and MAC address MA. When Host A needs to communicate to Host B at the IP layer, it broadcasts an ARP request for the MAC address associated with IP address IB. When the switch and Host B receive the ARP request, they populate their ARP caches with an ARP binding for a host with the IP address IA and a MAC address MA; for example, IP address IA is bound to MAC address MA. When Host B responds, the switch and Host A populate their ARP caches with a binding for a host with the IP address IB and the MAC address MB.

Host C can poison the ARP caches of the switch, Host A, and Host B by broadcasting forged ARP responses with bindings for a host with an IP address of IA (or IB) and a MAC address of MC. Hosts with poisoned ARP caches use the MAC address MC as the destination MAC address for traffic intended for IA or IB. This means that Host C intercepts that traffic. Because Host C knows the true MAC addresses associated with IA and IB, it can forward the intercepted traffic to those hosts by using the correct MAC address as the destination. Host C has inserted itself into the traffic stream from Host A to Host B, the classic *man-in-the middle* attack.

Dynamic ARP inspection is a security feature that validates ARP packets in a network. It intercepts, logs, and discards ARP packets with invalid IP-to-MAC address bindings. This capability protects the network from certain man-in-the-middle attacks.

Dynamic ARP inspection ensures that only valid ARP requests and responses are relayed. The switch performs these activities:

- Intercepts all ARP requests and responses on untrusted ports
- Verifies that each of these intercepted packets has a valid IP-to-MAC address binding before updating the local ARP cache or before forwarding the packet to the appropriate destination
- Drops invalid ARP packets

Dynamic ARP inspection determines the validity of an ARP packet based on valid IP-to-MAC address bindings stored in a trusted database, the DHCP snooping binding database. This database is built by DHCP snooping if DHCP snooping is enabled on the VLANs and on the switch. If the ARP packet is received on a trusted interface, the switch forwards the packet without any checks. On untrusted interfaces, the switch forwards the packet only if it is valid.

You enable dynamic ARP inspection on a per-VLAN basis by using the **ip arp inspection vlan *vlan-range*** global configuration command. For configuration information, see the “[Configuring Dynamic ARP Inspection in DHCP Environments](#)” section on page 21-7.

In non-DHCP environments, dynamic ARP inspection can validate ARP packets against user-configured ARP access control lists (ACLs) for hosts with statically configured IP addresses. You define an ARP ACL by using the **arp access-list *acl-name*** global configuration command. For configuration information, see the “[Configuring ARP ACLs for Non-DHCP Environments](#)” section on page 21-8. The switch logs dropped packets. For more information about the log buffer, see the “[Logging of Dropped Packets](#)” section on page 21-4.

You can configure dynamic ARP inspection to drop ARP packets when the IP addresses in the packets are invalid or when the MAC addresses in the body of the ARP packets do not match the addresses specified in the Ethernet header. Use the **ip arp inspection validate {[src-mac] [dst-mac] [ip]}** global configuration command. For more information, see the “[Performing Validation Checks](#)” section on page 21-12.



## Interface Trust States and Network Security

Dynamic ARP inspection associates a trust state with each interface on the switch. Packets arriving on trusted interfaces bypass all dynamic ARP inspection validation checks, and those arriving on untrusted interfaces undergo the dynamic ARP inspection validation process.

In a typical network configuration, you configure all switch ports connected to host ports as untrusted and configure all switch ports connected to switches as trusted. With this configuration, all ARP packets entering the network from a given switch bypass the security check. No other validation is needed at any other place in the VLAN or in the network. You configure the trust setting by using the **ip arp inspection trust** interface configuration command.

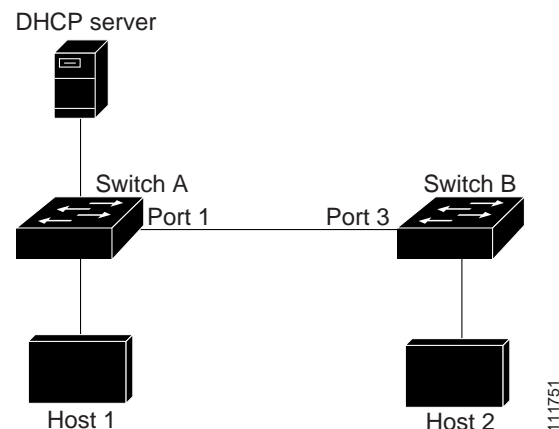


### Caution

Use the trust state configuration carefully. Configuring interfaces as untrusted when they should be trusted can result in a loss of connectivity.

In [Figure 21-2](#), assume that both Switch A and Switch B are running dynamic ARP inspection on the VLAN that includes Host 1 and Host 2. If Host 1 and Host 2 acquire their IP addresses from the DHCP server connected to Switch A, only Switch A binds the IP-to-MAC address of Host 1. Therefore, if the interface between Switch A and Switch B is untrusted, the ARP packets from Host 1 are dropped by Switch B. Connectivity between Host 1 and Host 2 is lost.

**Figure 21-2** ARP Packet Validation on a VLAN Enabled for Dynamic ARP Inspection



Configuring interfaces to be trusted when they are actually untrusted leaves a security hole in the network. If Switch A is not running dynamic ARP inspection, Host 1 can easily poison the ARP cache of Switch B (and Host 2, if the link between the switches is configured as trusted). This condition can occur even though Switch B is running dynamic ARP inspection.

Dynamic ARP inspection ensures that hosts (on untrusted interfaces) connected to a switch running dynamic ARP inspection do not poison the ARP caches of other hosts in the network. However, dynamic ARP inspection does not prevent hosts in other portions of the network from poisoning the caches of the hosts that are connected to a switch running dynamic ARP inspection.

In cases in which some switches in a VLAN run dynamic ARP inspection and other switches do not, configure the interfaces connecting such switches as untrusted. However, to validate the bindings of packets from nondynamic ARP inspection switches, configure the switch running dynamic ARP inspection with ARP ACLs. When you cannot determine such bindings, at Layer 3, isolate switches running dynamic ARP inspection from switches not running dynamic ARP inspection switches. For configuration information, see the [“Configuring ARP ACLs for Non-DHCP Environments”](#) section on page 21-8.

**Note**

Depending on the setup of the DHCP server and the network, it might not be possible to validate a given ARP packet on all switches in the VLAN.

## Rate Limiting of ARP Packets

The switch CPU performs dynamic ARP inspection validation checks; therefore, the number of incoming ARP packets is rate-limited to prevent a denial-of-service attack. By default, the rate for untrusted interfaces is 15 packets per second (pps). Trusted interfaces are not rate-limited. You can change this setting by using the **ip arp inspection limit** interface configuration command.

When the rate of incoming ARP packets exceeds the configured limit, the switch places the port in the error-disabled state. The port remains in that state until you intervene. You can use the **errdisable recovery** global configuration command to enable error disable recovery so that ports automatically emerge from this state after a specified timeout period.

For configuration information, see the [“Limiting the Rate of Incoming ARP Packets”](#) section on page 21-10.

## Relative Priority of ARP ACLs and DHCP Snooping Entries

Dynamic ARP inspection uses the DHCP snooping binding database for the list of valid IP-to-MAC address bindings.

ARP ACLs take precedence over entries in the DHCP snooping binding database. The switch uses ACLs only if you configure them by using the **ip arp inspection filter vlan** global configuration command. The switch first compares ARP packets to user-configured ARP ACLs. If the ARP ACL denies the ARP packet, the switch also denies the packet even if a valid binding exists in the database populated by DHCP snooping.

## Logging of Dropped Packets

When the switch drops a packet, it places an entry in the log buffer and then generates system messages on a rate-controlled basis. After the message is generated, the switch clears the entry from the log buffer. Each log entry contains flow information, such as the receiving VLAN, the port number, the source and destination IP addresses, and the source and destination MAC addresses.

You use the **ip arp inspection log-buffer** global configuration command to configure the number of entries in the buffer and the number of entries needed in the specified interval to generate system messages. You specify the type of packets that are logged by using the **ip arp inspection vlan logging** global configuration command. For configuration information, see the [“Configuring the Log Buffer”](#) section on page 21-13.

# Configuring Dynamic ARP Inspection

- [Default Dynamic ARP Inspection Configuration, page 21-5](#)
- [Dynamic ARP Inspection Configuration Guidelines, page 21-6](#)
- [Configuring Dynamic ARP Inspection in DHCP Environments, page 21-7](#) (required in DHCP environments)
- [Configuring ARP ACLs for Non-DHCP Environments, page 21-8](#) (required in non-DHCP environments)
- [Limiting the Rate of Incoming ARP Packets, page 21-10](#) (optional)
- [Performing Validation Checks, page 21-12](#) (optional)
- [Configuring the Log Buffer, page 21-13](#) (optional)

## Default Dynamic ARP Inspection Configuration

Table 21-1 shows the default dynamic ARP inspection configuration.

**Table 21-1** *Default Dynamic ARP Inspection Configuration*

Feature	Default Setting
Dynamic ARP inspection	Disabled on all VLANs.
Interface trust state	All interfaces are untrusted.
Rate limit of incoming ARP packets	The rate is 15 pps on untrusted interfaces, assuming that the network is a switched network with a host connecting to as many as 15 new hosts per second. The rate is unlimited on all trusted interfaces. The burst interval is 1 second.
ARP ACLs for non-DHCP environments	No ARP ACLs are defined.
Validation checks	No checks are performed.
Log buffer	When dynamic ARP inspection is enabled, all denied or dropped ARP packets are logged. The number of entries in the log is 32. The number of system messages is limited to 5 per second. The logging-rate interval is 1 second.
Per-VLAN logging	All denied or dropped ARP packets are logged.

## Dynamic ARP Inspection Configuration Guidelines

- Dynamic ARP inspection is an ingress security feature; it does not perform any egress checking.
- Dynamic ARP inspection is not effective for hosts connected to switches that do not support dynamic ARP inspection or that do not have this feature enabled. Because man-in-the-middle attacks are limited to a single Layer 2 broadcast domain, separate the domain with dynamic ARP inspection checks from the one with no checking. This action secures the ARP caches of hosts in the domain enabled for dynamic ARP inspection.
- Dynamic ARP inspection depends on the entries in the DHCP snooping binding database to verify IP-to-MAC address bindings in incoming ARP requests and ARP responses. Make sure to enable DHCP snooping to permit ARP packets that have dynamically assigned IP addresses. For configuration information, see [Chapter 20, “Configuring DHCP Features and IP Source Guard.”](#)  
When DHCP snooping is disabled or in non-DHCP environments, use ARP ACLs to permit or to deny packets.
- Dynamic ARP inspection is supported on access ports, trunk ports, EtherChannel ports, and private VLAN ports.



### Note

Do not enable Dynamic ARP inspection on RSPAN VLANs. If Dynamic ARP inspection is enabled on RSPAN VLANs, Dynamic ARP inspection packets might not reach the RSPAN destination port.

- A physical port can join an EtherChannel port channel only when the trust state of the physical port and the channel port match. Otherwise, the physical port remains suspended in the port channel. A port channel inherits its trust state from the first physical port that joins the channel. Consequently, the trust state of the first physical port need not match the trust state of the channel.  
Conversely, when you change the trust state on the port channel, the switch configures a new trust state on all the physical ports that comprise the channel.
- The operating rate for the port channel is cumulative across all the physical ports within the channel. For example, if you configure the port channel with an ARP rate-limit of 400 pps, all the interfaces combined on the channel receive an aggregate 400 pps. The rate of incoming ARP packets on EtherChannel ports is equal to the sum of the incoming rate of packets from all the channel members. Configure the rate limit for EtherChannel ports only after examining the rate of incoming ARP packets on the channel-port members.  
The rate of incoming packets on a physical port is checked against the port-channel configuration rather than the physical-ports configuration. The rate-limit configuration on a port channel is independent of the configuration on its physical ports.  
If the EtherChannel receives more ARP packets than the configured rate, the channel (including all physical ports) is placed in the error-disabled state.
- Make sure to limit the rate of ARP packets on incoming trunk ports. Configure trunk ports with higher rates to reflect their aggregation and to handle packets across multiple dynamic ARP inspection-enabled VLANs. You also can use the **ip arp inspection limit none** interface configuration command to make the rate unlimited. A high rate-limit on one VLAN can cause a denial-of-service attack to other VLANs when the software places the port in the error-disabled state.
- When you enable dynamic ARP inspection on the switch, policers that were configured to police ARP traffic are no longer effective. The result is that all ARP traffic is sent to the CPU.

## Configuring Dynamic ARP Inspection in DHCP Environments

This procedure shows how to configure dynamic ARP inspection when two switches support this feature. Host 1 is connected to Switch A, and Host 2 is connected to Switch B as shown in [Figure 21-2 on page 21-3](#). Both switches are running dynamic ARP inspection on VLAN 1 where the hosts are located. A DHCP server is connected to Switch A. Both hosts acquire their IP addresses from the same DHCP server. Therefore, Switch A has the bindings for Host 1 and Host 2, and Switch B has the binding for Host 2.



### Note

Dynamic ARP inspection depends on the entries in the DHCP snooping binding database to verify IP-to-MAC address bindings in incoming ARP requests and ARP responses. Make sure to enable DHCP snooping to permit ARP packets that have dynamically assigned IP addresses. For configuration information, see [Chapter 20, “Configuring DHCP Features and IP Source Guard.”](#)

For information on how to configure dynamic ARP inspection when only one switch supports the feature, see the [“Configuring ARP ACLs for Non-DHCP Environments” section on page 21-8](#).

Beginning in privileged EXEC mode, follow these steps to configure dynamic ARP inspection. You must perform this procedure on both switches. This procedure is required.

	Command	Purpose
Step 1	<b>show cdp neighbors</b>	Verify the connection between the switches.
Step 2	<b>configure terminal</b>	Enter global configuration mode.
Step 3	<b>ip arp inspection vlan <i>vlan-range</i></b>	Enable dynamic ARP inspection on a per-VLAN basis. By default, dynamic ARP inspection is disabled on all VLANs.  For <i>vlan-range</i> , specify a single VLAN identified by VLAN ID number, a range of VLANs separated by a hyphen, or a series of VLANs separated by a comma. The range is 1 to 4094.  Specify the same VLAN ID for both switches.
Step 4	<b>interface <i>interface-id</i></b>	Specify the interface connected to the other switch, and enter interface configuration mode.
Step 5	<b>no shutdown</b>	Enable the port, if necessary. By default, user network interfaces (UNIs) and enhanced network interfaces (ENIs) are disabled, and network node interfaces (NNIs) are enabled.

	Command	Purpose
Step 6	<b>ip arp inspection trust</b>	Configure the connection between the switches as trusted.  By default, all interfaces are untrusted.  The switch does not check ARP packets that it receives from the other switch on the trusted interface. It simply forwards the packets.  For untrusted interfaces, the switch intercepts all ARP requests and responses. It verifies that the intercepted packets have valid IP-to-MAC address bindings before updating the local cache and before forwarding the packet to the appropriate destination. The switch drops invalid packets and logs them in the log buffer according to the logging configuration specified with the <b>ip arp inspection vlan logging</b> global configuration command. For more information, see the “ <a href="#">Configuring the Log Buffer</a> ” section on page 21-13.
Step 7	<b>end</b>	Return to privileged EXEC mode.
Step 8	<b>show ip arp inspection interfaces</b> <b>show ip arp inspection vlan</b> <i>vlan-range</i>	Verify the dynamic ARP inspection configuration.
Step 9	<b>show ip dhcp snooping binding</b>	Verify the DHCP bindings.
Step 10	<b>show ip arp inspection statistics vlan</b> <i>vlan-range</i>	Check the dynamic ARP inspection statistics.
Step 11	<b>copy running-config startup-config</b>	(Optional) Save your entries in the configuration file.

To disable dynamic ARP inspection, use the **no ip arp inspection vlan** *vlan-range* global configuration command. To return the interfaces to an untrusted state, use the **no ip arp inspection trust** interface configuration command.

This example shows how to configure dynamic ARP inspection on Switch A in VLAN 1. You would perform a similar procedure on Switch B:

```
Switch(config)# ip arp inspection vlan 1
Switch(config)# interface gigabitethernet0/1
Switch(config-if)# ip arp inspection trust
```

## Configuring ARP ACLs for Non-DHCP Environments

This procedure shows how to configure dynamic ARP inspection when Switch B shown in [Figure 21-2 on page 21-3](#) does not support dynamic ARP inspection or DHCP snooping.

If you configure port 1 on Switch A as trusted, a security hole is created because both Switch A and Host 1 could be attacked by either Switch B or Host 2. To prevent this possibility, you must configure port 1 on Switch A as untrusted. To permit ARP packets from Host 2, you must set up an ARP ACL and apply it to VLAN 1. If the IP address of Host 2 is not static (it is impossible to apply the ACL configuration on Switch A) you must separate Switch A from Switch B at Layer 3 and use a router to route packets between them.

Beginning in privileged EXEC mode, follow these steps to configure an ARP ACL on Switch A. This procedure is required in non-DHCP environments.

	Command	Purpose
Step 1	<b>configure terminal</b>	Enter global configuration mode.
Step 2	<b>arp access-list</b> <i>acl-name</i>	Define an ARP ACL, and enter ARP access-list configuration mode. By default, no ARP access lists are defined.  <b>Note</b> At the end of the ARP access list, there is an implicit <b>deny ip any mac any</b> command.
Step 3	<b>permit ip host</b> <i>sender-ip</i> <b>mac host</b> <i>sender-mac</i> [ <b>log</b> ]	Permit ARP packets from the specified host (Host 2). <ul style="list-style-type: none"> <li>For <i>sender-ip</i>, enter the IP address of Host 2.</li> <li>For <i>sender-mac</i>, enter the MAC address of Host 2.</li> <li>(Optional) Specify <b>log</b> to log a packet in the log buffer when it matches the access control entry (ACE). Matches are logged if you also configure the <b>matchlog</b> keyword in the <b>ip arp inspection vlan logging</b> global configuration command. For more information, see the “<a href="#">Configuring the Log Buffer</a>” section on page 21-13.</li> </ul>
Step 4	<b>exit</b>	Return to global configuration mode.
Step 5	<b>ip arp inspection filter</b> <i>arp-acl-name</i> <b>vlan</b> <i>vlan-range</i> [ <b>static</b> ]	Apply the ARP ACL to the VLAN. By default, no defined ARP ACLs are applied to any VLAN. <ul style="list-style-type: none"> <li>For <i>arp-acl-name</i>, specify the name of the ACL created in Step 2.</li> <li>For <i>vlan-range</i>, specify the VLAN that the switches and hosts are in. You can specify a single VLAN identified by VLAN ID number, a range of VLANs separated by a hyphen, or a series of VLANs separated by a comma. The range is 1 to 4094.</li> <li>(Optional) Specify <b>static</b> to treat implicit denies in the ARP ACL as explicit denies and to drop packets that do not match any previous clauses in the ACL. DHCP bindings are not used.</li> </ul> <p>If you do not specify this keyword, it means that there is no explicit deny in the ACL that denies the packet, and DHCP bindings determine whether a packet is permitted or denied if the packet does not match any clauses in the ACL.</p> <p>ARP packets containing only IP-to-MAC address bindings are compared against the ACL. Packets are permitted only if the access list permits them.</p>
Step 6	<b>interface</b> <i>interface-id</i>	Specify the Switch A interface that is connected to Switch B, and enter interface configuration mode.
Step 7	<b>no shutdown</b>	Enable the port, if necessary. By default, UNIs and ENIs are disabled, and NNIs are enabled.

	Command	Purpose
Step 8	<b>no ip arp inspection trust</b>	Configure the Switch A interface that is connected to Switch B as untrusted.  By default, all interfaces are untrusted.  For untrusted interfaces, the switch intercepts all ARP requests and responses. It verifies that the intercepted packets have valid IP-to-MAC address bindings before updating the local cache and before forwarding the packet to the appropriate destination. The switch drops invalid packets and logs them in the log buffer according to the logging configuration specified with the <b>ip arp inspection vlan logging</b> global configuration command. For more information, see the “ <a href="#">Configuring the Log Buffer</a> ” section on <a href="#">page 21-13</a> .
Step 9	<b>end</b>	Return to privileged EXEC mode.
Step 10	<b>show arp access-list</b> [ <i>acl-name</i> ] <b>show ip arp inspection vlan</b> <i>vlan-range</i> <b>show ip arp inspection interfaces</b>	Verify your entries.
Step 11	<b>copy running-config startup-config</b>	(Optional) Save your entries in the configuration file.

To remove the ARP ACL, use the **no arp access-list** global configuration command. To remove the ARP ACL attached to a VLAN, use the **no ip arp inspection filter** *arp-acl-name* **vlan** *vlan-range* global configuration command.

This example shows how to configure an ARP ACL called *host2* on Switch A, to permit ARP packets from Host 2 (IP address 1.1.1.1 and MAC address 0001.0001.0001), to apply the ACL to VLAN 1, and to configure port 1 on Switch A as untrusted:

```
Switch(config)# arp access-list host2
Switch(config-arp-acl)# permit ip host 1.1.1.1 mac host 1.1.1
Switch(config-arp-acl)# exit
Switch(config)# ip arp inspection filter host2 vlan 1
Switch(config)# interface gigabitethernet0/1
Switch(config-if)# no ip arp inspection trust
```

## Limiting the Rate of Incoming ARP Packets

The switch CPU performs dynamic ARP inspection validation checks; therefore, the number of incoming ARP packets is rate-limited to prevent a denial-of-service attack.

When the rate of incoming ARP packets exceeds the configured limit, the switch places the port in the error-disabled state. The port remains in that state until you enable error-disabled recovery so that ports automatically emerge from this state after a specified timeout period.



### Note

Unless you configure a rate limit on an interface, changing the trust state of the interface also changes its rate limit to the default value for that trust state. After you configure the rate limit, the interface retains the rate limit even when its trust state is changed. If you enter the **no ip arp inspection limit** interface configuration command, the interface reverts to its default rate limit.



For configuration guidelines for rate limiting trunk ports and EtherChannel ports, see the “[Dynamic ARP Inspection Configuration Guidelines](#)” section on page 21-6.

Beginning in privileged EXEC mode, follow these steps to limit the rate of incoming ARP packets. This procedure is optional.

	Command	Purpose
Step 1	<b>configure terminal</b>	Enter global configuration mode.
Step 2	<b>interface</b> <i>interface-id</i>	Specify the interface to be rate-limited, and enter interface configuration mode.
Step 3	<b>no shutdown</b>	Enable the port, if necessary. By default, UNIs and ENIs are disabled, and NNIs are enabled.
Step 4	<b>ip arp inspection limit</b> { <b>rate</b> <i>pps</i> [ <b>burst interval</b> <i>seconds</i> ]   <b>none</b> }	Limit the rate of incoming ARP requests and responses on the interface. The default rate is 15 pps on untrusted interfaces and unlimited on trusted interfaces. The burst interval is 1 second. The keywords have these meanings: <ul style="list-style-type: none"> <li>For <b>rate</b> <i>pps</i>, specify an upper limit for the number of incoming packets processed per second. The range is 0 to 2048 pps.</li> <li>(Optional) For <b>burst interval</b> <i>seconds</i>, specify the consecutive interval in seconds, over which the interface is monitored for a high rate of ARP packets. The range is 1 to 15.</li> <li>For <b>rate none</b>, specify no upper limit for the rate of incoming ARP packets that can be processed.</li> </ul>
Step 5	<b>exit</b>	Return to global configuration mode.
Step 6	<b>errdisable recovery cause arp-inspection interval</b> <i>interval</i>	(Optional) Enable error recovery from the dynamic ARP inspection error-disable state. By default, recovery is disabled, and the recovery interval is 300 seconds. For <b>interval</b> <i>interval</i> , specify the time in seconds to recover from the error-disable state. The range is 30 to 86400.
Step 7	<b>exit</b>	Return to privileged EXEC mode.
Step 8	<b>show ip arp inspection interfaces</b> <b>show errdisable recovery</b>	Verify your settings.
Step 9	<b>copy running-config startup-config</b>	(Optional) Save your entries in the configuration file.

To return to the default rate-limit configuration, use the **no ip arp inspection limit** interface configuration command. To disable error recovery for dynamic ARP inspection, use the **no errdisable recovery cause arp-inspection** global configuration command.

## Performing Validation Checks

Dynamic ARP inspection intercepts, logs, and discards ARP packets with invalid IP-to-MAC address bindings. You can configure the switch to perform additional checks on the destination MAC address, the sender and target IP addresses, and the source MAC address.

Beginning in privileged EXEC mode, follow these steps to perform specific checks on incoming ARP packets. This procedure is optional.

	Command	Purpose
Step 1	<b>configure terminal</b>	Enter global configuration mode.
Step 2	<b>ip arp inspection validate</b> <b>{[src-mac] [dst-mac] [ip]}</b>	<p>Perform a specific check on incoming ARP packets. By default, no checks are performed.</p> <p>The keywords have these meanings:</p> <ul style="list-style-type: none"> <li>• For <b>src-mac</b>, check the source MAC address in the Ethernet header against the sender MAC address in the ARP body. This check is performed on both ARP requests and responses. When enabled, packets with different MAC addresses are classified as invalid and are dropped.</li> <li>• For <b>dst-mac</b>, check the destination MAC address in the Ethernet header against the target MAC address in ARP body. This check is performed for ARP responses. When enabled, packets with different MAC addresses are classified as invalid and are dropped.</li> <li>• For <b>ip</b>, check the ARP body for invalid and unexpected IP addresses. Addresses include 0.0.0.0, 255.255.255.255, and all IP multicast addresses. Sender IP addresses are checked in all ARP requests and responses, and target IP addresses are checked only in ARP responses.</li> </ul> <p>You must specify at least one of the keywords. Each command overrides the configuration of the previous command; that is, if a command enables <b>src</b> and <b>dst mac</b> validations, and a second command enables IP validation only, the <b>src</b> and <b>dst mac</b> validations are disabled as a result of the second command.</p>
Step 3	<b>exit</b>	Return to privileged EXEC mode.
Step 4	<b>show ip arp inspection vlan</b> <i>vlan-range</i>	Verify your settings.
Step 5	<b>copy running-config startup-config</b>	(Optional) Save your entries in the configuration file.

To disable checking, use the **no ip arp inspection validate [src-mac] [dst-mac] [ip]** global configuration command. To display statistics for forwarded, dropped, and MAC and IP validation failure packets, use the **show ip arp inspection statistics** privileged EXEC command.

## Configuring the Log Buffer

When the switch drops a packet, it places an entry in the log buffer and then generates system messages on a rate-controlled basis. After the message is generated, the switch clears the entry from the log buffer. Each log entry contains flow information, such as the receiving VLAN, the port number, the source and destination IP addresses, and the source and destination MAC addresses.

A log-buffer entry can represent more than one packet. For example, if an interface receives many packets on the same VLAN with the same ARP parameters, the switch combines the packets as one entry in the log buffer and generates a single system message for the entry.

If the log buffer overflows, it means that a log event does not fit into the log buffer, and the display for the **show ip arp inspection log** privileged EXEC command is affected. A -- in the display appears in place of all data except the packet count and the time. No other statistics are provided for the entry. If you see this entry in the display, increase the number of entries in the log buffer or increase the logging rate.

Beginning in privileged EXEC mode, follow these steps to configure the log buffer. This procedure is optional.

	Command	Purpose
Step 1	<b>configure terminal</b>	Enter global configuration mode.
Step 2	<b>ip arp inspection log-buffer {entries number   logs number interval seconds}</b>	<p>Configure the dynamic ARP inspection logging buffer.</p> <p>By default, when dynamic ARP inspection is enabled, denied or dropped ARP packets are logged. The number of log entries is 32. The number of system messages is limited to 5 per second. The logging-rate interval is 1 second.</p> <p>The keywords have these meanings:</p> <ul style="list-style-type: none"> <li>For <b>entries number</b>, specify the number of entries to be logged in the buffer. The range is 0 to 1024.</li> <li>For <b>logs number interval seconds</b>, specify the number of entries to generate system messages in the specified interval.</li> </ul> <p>For <b>logs number</b>, the range is 0 to 1024. A 0 value means that the entry is placed in the log buffer, but a system message is not generated.</p> <p>For <b>interval seconds</b>, the range is 0 to 86400 seconds (1 day). A 0 value means that a system message is immediately generated (and the log buffer is always empty).</p> <p>An interval setting of 0 overrides a log setting of 0.</p> <p>The <b>logs</b> and <b>interval</b> settings interact. If the <b>logs number</b> X is greater than <b>interval seconds</b> Y, X divided by Y (X/Y) system messages are sent every second. Otherwise, one system message is sent every Y divided by X (Y/X) seconds.</p>

	Command	Purpose
Step 3	<b>ip arp inspection vlan</b> <i>vlan-range</i> <b>logging</b> { <b>acl-match</b> { <b>matchlog</b>   <b>none</b> }   <b>dhcp-bindings</b> { <b>all</b>   <b>none</b>   <b>permit</b> }}	Control the type of packets that are logged per VLAN. By default, all denied or all dropped packets are logged. The term <i>logged</i> means the entry is placed in the log buffer and a system message is generated.  The keywords have these meanings: <ul style="list-style-type: none"> <li>• For <i>vlan-range</i>, specify a single VLAN identified by VLAN ID number, a range of VLANs separated by a hyphen, or a series of VLANs separated by a comma. The range is 1 to 4094.</li> <li>• For <b>acl-match matchlog</b>, log packets based on the ACE logging configuration. If you specify the <b>matchlog</b> keyword in this command and the <b>log</b> keyword in the <b>permit</b> or <b>deny</b> ARP access-list configuration command, ARP packets permitted or denied by the ACL are logged.</li> <li>• For <b>acl-match none</b>, do not log packets that match ACLs.</li> <li>• For <b>dhcp-bindings all</b>, log all packets that match DHCP bindings.</li> <li>• For <b>dhcp-bindings none</b>, do not log packets that match DHCP bindings.</li> <li>• For <b>dhcp-bindings permit</b>, log DHCP-binding permitted packets.</li> </ul>
Step 4	<b>exit</b>	Return to privileged EXEC mode.
Step 5	<b>show ip arp inspection log</b>	Verify your settings.
Step 6	<b>copy running-config startup-config</b>	(Optional) Save your entries in the configuration file.

To return to the default log buffer settings, use the **no ip arp inspection log-buffer** {**entries** | **logs**} global configuration command. To return to the default VLAN log settings, use the **no ip arp inspection vlan** *vlan-range* **logging** {**acl-match** | **dhcp-bindings**} global configuration command. To clear the log buffer, use the **clear ip arp inspection log** privileged EXEC command.

## Displaying Dynamic ARP Inspection Information

To display dynamic ARP inspection information, use the privileged EXEC commands described in [Table 21-2](#).

**Table 21-2** Commands for Displaying Dynamic ARP Inspection Information

Command	Description
<b>show arp access-list</b> [ <i>acl-name</i> ]	Displays detailed information about ARP ACLs.
<b>show ip arp inspection interfaces</b> [ <i>interface-id</i> ]	Displays the trust state and the rate limit of ARP packets for the specified interface or all interfaces.
<b>show ip arp inspection vlan</b> <i>vlan-range</i>	Displays the configuration and the operating state of dynamic ARP inspection for the specified VLAN. If no VLANs are specified or if a range is specified, displays information only for VLANs with dynamic ARP inspection enabled (active).

To clear or display dynamic ARP inspection statistics, use the privileged EXEC commands in [Table 21-3](#):

**Table 21-3** *Commands for Clearing or Displaying Dynamic ARP Inspection Statistics*

Command	Description
<b>clear ip arp inspection statistics</b>	Clears dynamic ARP inspection statistics.
<b>show ip arp inspection statistics</b> [vlan <i>vlan-range</i> ]	Displays statistics for forwarded, dropped, MAC validation failure, IP validation failure, ACL permitted and denied, and DHCP permitted and denied packets for the specified VLAN. If no VLANs are specified or if a range is specified, displays information only for VLANs with dynamic ARP inspection enabled (active).

For the **show ip arp inspection statistics** command, the switch increments the number of forwarded packets for each ARP request and response packet on a trusted dynamic ARP inspection port. The switch increments the number of ACL or DHCP permitted packets for each packet that is denied by source MAC, destination MAC, or IP validation checks, and the switch increments the appropriate failure count.

To clear or display dynamic ARP inspection logging information, use the privileged EXEC commands in [Table 21-4](#):

**Table 21-4** *Commands for Clearing or Displaying Dynamic ARP Inspection Logging Information*

Command	Description
<b>clear ip arp inspection log</b>	Clears the dynamic ARP inspection log buffer.
<b>show ip arp inspection log</b>	Displays the configuration and contents of the dynamic ARP inspection log buffer.

For more information about these commands, see the command reference for this release.





# CHAPTER 22

## Configuring IGMP Snooping and MVR

---

This chapter describes how to configure Internet Group Management Protocol (IGMP) snooping on the Cisco ME 3400E Ethernet Access switch, including an application of local IGMP snooping, Multicast VLAN Registration (MVR). It also includes procedures for controlling multicast group membership by using IGMP filtering and procedures for configuring the IGMP throttling action.



### Note

---

For complete syntax and usage information for the commands used in this chapter, see the switch command reference for this release and the “IP Multicast Routing Commands” section in the *Cisco IOS IP Command Reference, Volume 3 of 3: Multicast, Release 12.2*.

---

- [Understanding IGMP Snooping, page 22-1](#)
- [Configuring IGMP Snooping, page 22-6](#)
- [Displaying IGMP Snooping Information, page 22-14](#)
- [Understanding Multicast VLAN Registration, page 22-15](#)
- [Configuring MVR, page 22-18](#)
- [Displaying MVR Information, page 22-23](#)
- [Configuring IGMP Filtering and Throttling, page 22-23](#)
- [Displaying IGMP Filtering and Throttling Configuration, page 22-28](#)



### Note

---

You can either manage IP multicast group addresses through features such as IGMP snooping and MVR, or you can use static IP addresses.

---

## Understanding IGMP Snooping

Layer 2 switches can use IGMP snooping to constrain the flooding of multicast traffic by dynamically configuring Layer 2 interfaces so that multicast traffic is forwarded to only those interfaces associated with IP multicast devices. As the name implies, IGMP snooping requires the LAN switch to snoop on the IGMP transmissions between the host and the router and to keep track of multicast groups and member ports. When the switch receives an IGMP report from a host for a particular multicast group, the switch adds the host port number to the forwarding table entry; when it receives an IGMP Leave Group message from a host, it removes the host port from the table entry. It also periodically deletes entries if it does not receive IGMP membership reports from the multicast clients.

**Note**


---

For more information on IP multicast and IGMP, see RFC 1112 and RFC 2236.

---

The multicast router sends out periodic general queries to all VLANs. All hosts interested in this multicast traffic send join requests and are added to the forwarding table entry. The switch creates one entry per VLAN in the IGMP snooping IP multicast forwarding table for each group from which it receives an IGMP join request.

The switch supports IP multicast group-based bridging, rather than MAC-addressed based groups. With multicast MAC address-based groups, if an IP address being configured translates (aliases) to a previously configured MAC address or to any reserved multicast MAC addresses (in the range 224.0.0.xxx), the command fails. Because the switch uses IP multicast groups, there are no address aliasing issues.

The IP multicast groups learned through IGMP snooping are dynamic. However, you can statically configure multicast groups by using the **ip igmp snooping vlan *vlan-id* static *ip\_address* interface *interface-id*** global configuration command. If you specify group membership for a multicast group address statically, your setting supersedes any automatic manipulation by IGMP snooping. Multicast group membership lists can consist of both user-defined and IGMP snooping-learned settings.

You can configure an IGMP snooping querier to support IGMP snooping in subnets without multicast interfaces because the multicast traffic does not need to be routed. For more information about the IGMP snooping querier, see the “[Configuring the IGMP Snooping Querier](#)” section on page 22-12.

If a port spanning-tree, a port group, or a VLAN ID change occurs, the IGMP snooping-learned multicast groups from this port on the VLAN are deleted.

These sections describe IGMP snooping characteristics:

- [IGMP Versions, page 22-2](#)
- [Joining a Multicast Group, page 22-3](#)
- [Leaving a Multicast Group, page 22-5](#)
- [Immediate Leave, page 22-5](#)
- [IGMP Configurable-Leave Timer, page 22-5](#)
- [IGMP Report Suppression, page 22-5](#)

## IGMP Versions

The switch supports IGMP Version 1, IGMP Version 2, and IGMP Version 3. These versions are interoperable on the switch. For example, if IGMP snooping is enabled on an IGMPv2 switch and the switch receives an IGMPv3 report from a host, the switch can forward the IGMPv3 report to the multicast router.

**Note**


---

The switches support IGMPv3 snooping based only on the destination multicast MAC address. They do not support snooping based on the source MAC address or on proxy reports.

---

An IGMPv3 switch supports Basic IGMPv3 Snooping Support (BISS), which includes support for the snooping features on IGMPv1 and IGMPv2 switches and for IGMPv3 membership report messages. BISS constrains the flooding of multicast traffic when your network includes IGMPv3 hosts. It constrains traffic to approximately the same set of ports as the IGMP snooping feature on IGMPv2 or IGMPv1 hosts.



**Note**

IGMPv3 join and leave messages are not supported on switches running IGMP filtering or MVR.

An IGMPv3 switch can receive messages from and forward messages to a device running the Source Specific Multicast (SSM) feature. For more information about source-specific multicast with IGMPv3 and IGMP, see this URL:

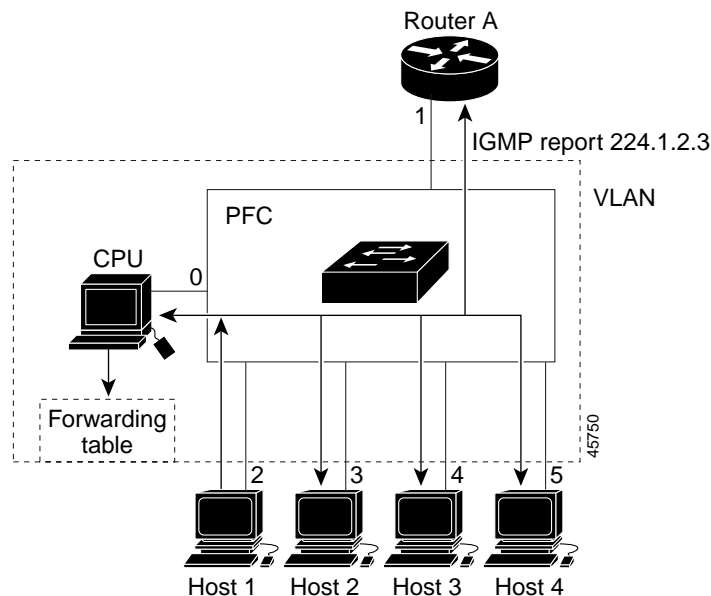
<http://www.cisco.com/univercd/cc/td/doc/product/software/ios121/121newft/121t/121t5/dtssm5t.htm>

## Joining a Multicast Group

When a host connected to the switch wants to join an IP multicast group and it is an IGMP Version 2 client, it sends an unsolicited IGMP join message, specifying the IP multicast group to join.

Alternatively, when the switch receives a general query from the router, it forwards the query to all ports in the VLAN. IGMP Version 1 or Version 2 hosts wanting to join the multicast group respond by sending a join message to the switch. The switch CPU creates a multicast forwarding-table entry for the group if it is not already present. The CPU also adds the interface where the join message was received to the forwarding-table entry. The host associated with that interface receives multicast traffic for that multicast group. See [Figure 22-1](#).

**Figure 22-1** Initial IGMP Join Message



Router A sends a general query to the switch, which forwards the query to ports 2 through 5, which are all members of the same VLAN. Host 1 wants to join multicast group 224.1.2.3 and multicasts an IGMP membership report (IGMP join message) to the group. The switch CPU uses the information in the IGMP report to set up a forwarding-table entry, as shown in [Table 22-1](#), that includes the port numbers connected to Host 1 and the router.

Table 22-1 IGMP Snooping Forwarding Table

Destination Address	Type of Packet	Ports
224.1.2.3	IGMP	1, 2

The switch hardware can distinguish IGMP information packets from other packets for the multicast group. The information in the table tells the switching engine to send frames addressed to the 224.1.2.3 multicast IP address that are not IGMP packets to the router and to the host that has joined the group.

If another host (for example, Host 4) sends an unsolicited IGMP join message for the same group (Figure 22-2), the CPU receives that message and adds the port number of Host 4 to the forwarding table as shown in Table 22-2. Note that because the forwarding table directs IGMP messages to only the CPU, the message is not flooded to other ports on the switch. Any known multicast traffic is forwarded to the group and not to the CPU.

Figure 22-2 Second Host Joining a Multicast Group

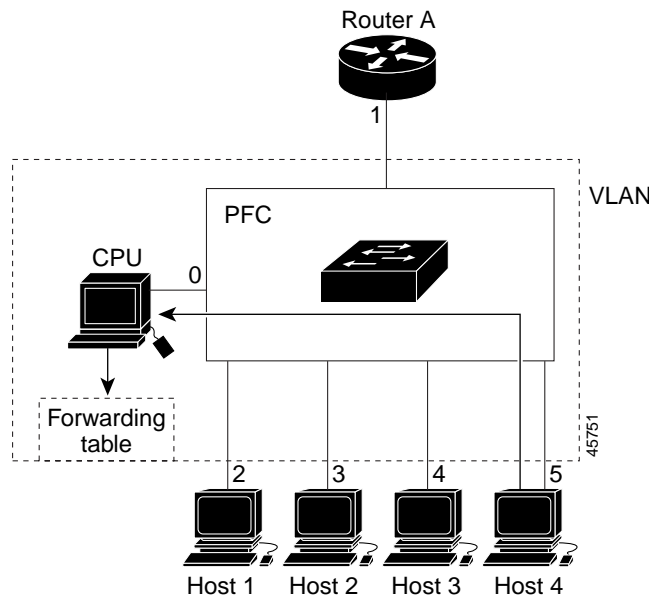


Table 22-2 Updated IGMP Snooping Forwarding Table

Destination Address	Type of Packet	Ports
224.1.2.3	IGMP	1, 2, 5

Multicast-capable router ports are added to the forwarding table for every Layer 2 multicast entry. The switch learns of such ports through one of these methods:

- Snooping on IGMP queries and Protocol Independent Multicast (PIM) packets
- Statically connecting to a multicast router port with the **ip igmp snooping mrouter** global configuration command

## Leaving a Multicast Group

The router sends periodic multicast general queries, and the switch forwards these queries through all ports in the VLAN. Interested hosts respond to the queries. If at least one host in the VLAN wishes to receive multicast traffic, the router continues forwarding the multicast traffic to the VLAN. The switch forwards multicast group traffic only to those hosts listed in the forwarding table for that IP multicast group maintained by IGMP snooping.

When hosts want to leave a multicast group, they can silently leave, or they can send a leave message. When the switch receives a leave message from a host, it sends a group-specific query to learn if any other devices connected to that interface are interested in traffic for the specific multicast group. The switch then updates the forwarding table for that MAC group so that only those hosts interested in receiving multicast traffic for the group are listed in the forwarding table. If the router receives no reports from a VLAN, it removes the group for the VLAN from its IGMP cache.

## Immediate Leave

Immediate Leave is only supported on IGMP Version 2 hosts.

The switch uses IGMP snooping Immediate Leave to remove from the forwarding table an interface that sends a leave message without the switch sending group-specific queries to the interface. The VLAN interface is pruned from the multicast tree for the multicast group specified in the original leave message. Immediate Leave ensures optimal bandwidth management for all hosts on a switched network, even when multiple multicast groups are simultaneously in use.



Note

---

You should only use the Immediate Leave feature on VLANs where a single host is connected to each port. If Immediate Leave is enabled in VLANs where more than one host is connected to a port, some hosts might inadvertently be dropped.

---

For configuration steps, see the [“Enabling IGMP Immediate Leave”](#) section on page 22-9.

## IGMP Configurable-Leave Timer

You can configure the time that the switch waits after sending a group-specific query to determine if hosts are still interested in a specific multicast group. The IGMP leave response time can be configured from 100 to 5000 milliseconds. The timer can be set either globally or on a per-VLAN basis. The VLAN configuration of the leave time overrides the global configuration.

For configuration steps, see the [“Configuring the IGMP Leave Timer”](#) section on page 22-9.

## IGMP Report Suppression



Note

---

IGMP report suppression is supported only when the multicast query has IGMPv1 and IGMPv2 reports. This feature is not supported when the query includes IGMPv3 reports.

---

The switch uses IGMP report suppression to forward only one IGMP report per multicast router query to multicast devices. When IGMP router suppression is enabled (the default), the switch sends the first IGMP report from all hosts for a group to all the multicast routers. The switch does not send the remaining IGMP reports for the group to the multicast routers. This feature prevents duplicate reports from being sent to the multicast devices.

If the multicast router query includes requests only for IGMPv1 and IGMPv2 reports, the switch forwards only the first IGMPv1 or IGMPv2 report from all hosts for a group to all the multicast routers.

If the multicast router query also includes requests for IGMPv3 reports, the switch forwards all IGMPv1, IGMPv2, and IGMPv3 reports for a group to the multicast devices.

If you disable IGMP report suppression, all IGMP reports are forwarded to the multicast routers. For configuration steps, see the [“Disabling IGMP Report Suppression”](#) section on page 22-14.

## Configuring IGMP Snooping

IGMP snooping allows switches to examine IGMP packets and make forwarding decisions based on their content.

- [Default IGMP Snooping Configuration](#), page 22-6
- [Enabling or Disabling IGMP Snooping](#), page 22-7
- [Configuring a Multicast Router Port](#), page 22-7
- [Configuring a Host Statically to Join a Group](#), page 22-8
- [Enabling IGMP Immediate Leave](#), page 22-9
- [Configuring the IGMP Leave Timer](#), page 22-9
- [Configuring TCN-Related Commands](#), page 22-10
- [Configuring the IGMP Snooping Querier](#), page 22-12
- [Disabling IGMP Report Suppression](#), page 22-14

## Default IGMP Snooping Configuration

[Table 22-3](#) shows the default IGMP snooping configuration.

**Table 22-3**      *Default IGMP Snooping Configuration*

Feature	Default Setting
IGMP snooping	Enabled globally and per VLAN
Multicast routers	None configured
Multicast router learning (snooping) method	PIM
IGMP snooping Immediate Leave	Disabled
Static groups	None configured
TCN <sup>1</sup> flood query count	2
TCN query solicitation	Disabled
IGMP snooping querier	Disabled
IGMP report suppression	Enabled

1. TCN = Topology Change Notification

## Enabling or Disabling IGMP Snooping

By default, IGMP snooping is globally enabled on the switch. When globally enabled or disabled, it is also enabled or disabled in all existing VLAN interfaces. IGMP snooping is by default enabled on all VLANs, but can be enabled and disabled on a per-VLAN basis.

Global IGMP snooping overrides the VLAN IGMP snooping. If global snooping is disabled, you cannot enable VLAN snooping. If global snooping is enabled, you can enable or disable VLAN snooping.

Beginning in privileged EXEC mode, follow these steps to globally enable IGMP snooping on the switch:

	Command	Purpose
Step 1	<b>configure terminal</b>	Enter global configuration mode.
Step 2	<b>ip igmp snooping</b>	Globally enable IGMP snooping in all existing VLAN interfaces.
Step 3	<b>end</b>	Return to privileged EXEC mode.
Step 4	<b>copy running-config startup-config</b>	(Optional) Save your entries in the configuration file.

To globally disable IGMP snooping on all VLAN interfaces, use the **no ip igmp snooping** global configuration command.

Beginning in privileged EXEC mode, follow these steps to enable IGMP snooping on a VLAN interface:

	Command	Purpose
Step 1	<b>configure terminal</b>	Enter global configuration mode.
Step 2	<b>ip igmp snooping vlan <i>vlan-id</i></b>	Enable IGMP snooping on the VLAN interface. The VLAN ID range is 1 to 1001 and 1006 to 4094. <b>Note</b> IGMP snooping must be globally enabled before you can enable VLAN snooping.
Step 3	<b>end</b>	Return to privileged EXEC mode.
Step 4	<b>copy running-config startup-config</b>	(Optional) Save your entries in the configuration file.

To disable IGMP snooping on a VLAN interface, use the **no ip igmp snooping vlan *vlan-id*** global configuration command for the specified VLAN number.

## Configuring a Multicast Router Port

To add a multicast router port (add a static connection to a multicast router), use the **ip igmp snooping vlan *mrouter*** global configuration command on the switch.



**Note**

Static connections to multicast routers are supported only on switch ports.

Beginning in privileged EXEC mode, follow these steps to enable a static connection to a multicast router:

	Command	Purpose
Step 1	<b>configure terminal</b>	Enter global configuration mode.
Step 2	<b>ip igmp snooping vlan</b> <i>vlan-id</i> <b>mrouter interface</b> <i>interface-id</i>	Specify the multicast router VLAN ID and the interface to the multicast router. <ul style="list-style-type: none"> <li>The VLAN ID range is 1 to 1001 and 1006 to 4094.</li> <li>The interface can be a physical interface or a port channel. The port-channel range is 1 to 48.</li> </ul>
Step 3	<b>end</b>	Return to privileged EXEC mode.
Step 4	<b>show ip igmp snooping mrouter</b> [ <b>vlan</b> <i>vlan-id</i> ]	Verify that IGMP snooping is enabled on the VLAN interface.
Step 5	<b>copy running-config startup-config</b>	(Optional) Save your entries in the configuration file.

To remove a multicast router port from the VLAN, use the **no ip igmp snooping vlan** *vlan-id* **mrouter interface** *interface-id* global configuration command.

This example shows how to enable a static connection to a multicast router:

```
Switch# configure terminal
Switch(config)# ip igmp snooping vlan 200 mrouter interface gigabitethernet0/2
Switch(config)# end
```

## Configuring a Host Statically to Join a Group

Hosts or Layer 2 ports normally join multicast groups dynamically, but you can also statically configure a host on an interface.

Beginning in privileged EXEC mode, follow these steps to add a Layer 2 port as a member of a multicast group:

	Command	Purpose
Step 1	<b>configure terminal</b>	Enter global configuration mode.
Step 2	<b>ip igmp snooping vlan</b> <i>vlan-id</i> <b>static</b> <i>ip_address</i> <b>interface</b> <i>interface-id</i>	Statically configure a Layer 2 port as a member of a multicast group: <ul style="list-style-type: none"> <li><i>vlan-id</i> is the multicast group VLAN ID. The range is 1 to 1001 and 1006 to 4094.</li> <li><i>ip_address</i> is the group IP address.</li> <li><i>interface-id</i> is the member port. It can be a physical interface or a port channel (1 to 48).</li> </ul>
Step 3	<b>end</b>	Return to privileged EXEC mode.
Step 4	<b>show ip igmp snooping groups</b>	Verify the member port and the IP address.
Step 5	<b>copy running-config startup-config</b>	(Optional) Save your entries in the configuration file.

To remove the Layer 2 port from the multicast group, use the **no ip igmp snooping vlan** *vlan-id* **static** *mac-address* **interface** *interface-id* global configuration command.

This example shows how to statically configure a host on a port:

```
Switch# configure terminal
Switch(config)# ip igmp snooping vlan 105 static 224.2.4.12 interface gigabitethernet0/1
Switch(config)# end
```

## Enabling IGMP Immediate Leave

When you enable IGMP Immediate Leave, the switch immediately removes a port when it detects an IGMP Version 2 leave message on that port. You should only use the Immediate-Leave feature when there is a single receiver present on every port in the VLAN.



Note

Immediate Leave is supported only on IGMP Version 2 hosts.

Beginning in privileged EXEC mode, follow these steps to enable IGMP Immediate Leave:

	Command	Purpose
Step 1	<b>configure terminal</b>	Enter global configuration mode.
Step 2	<b>ip igmp snooping vlan <i>vlan-id</i> immediate-leave</b>	Enable IGMP Immediate Leave on the VLAN interface.
Step 3	<b>end</b>	Return to privileged EXEC mode.
Step 4	<b>show ip igmp snooping vlan <i>vlan-id</i></b>	Verify that Immediate Leave is enabled on the VLAN interface.
Step 5	<b>copy running-config startup-config</b>	(Optional) Save your entries in the configuration file.

To disable IGMP Immediate Leave on a VLAN, use the **no ip igmp snooping vlan *vlan-id* immediate-leave** global configuration command.

This example shows how to enable IGMP Immediate Leave on VLAN 130:

```
Switch# configure terminal
Switch(config)# ip igmp snooping vlan 130 immediate-leave
Switch(config)# end
```

## Configuring the IGMP Leave Timer

Follow these guidelines when configuring the IGMP leave timer:

- You can configure the leave time globally or on a per-VLAN basis.
- Configuring the leave time on a VLAN overrides the global setting.
- The default leave time is 1000 milliseconds.
- The IGMP configurable leave time is only supported on hosts running IGMP Version 2.
- The actual leave latency in the network is usually the configured leave time. However, the leave time *might* vary around the configured time, depending on real-time CPU load conditions, network delays and the amount of traffic sent through the interface.

Beginning in privileged EXEC mode, follow these steps to enable the IGMP configurable-leave timer:

	Command	Purpose
Step 1	<b>configure terminal</b>	Enter global configuration mode.
Step 2	<b>ip igmp snooping last-member-query-interval</b> <i>time</i>	Configure the IGMP leave timer globally. The range is 100 to 32768 milliseconds. The default is 1000 seconds.
Step 3	<b>ip igmp snooping vlan</b> <i>vlan-id</i> <b>last-member-query-interval</b> <i>time</i>	(Optional) Configure the IGMP leave time on the VLAN interface. The range is 100 to 32768 milliseconds. <b>Note</b> Configuring the leave time on a VLAN overrides the globally configured timer.
Step 4	<b>end</b>	Return to privileged EXEC mode.
Step 5	<b>show ip igmp snooping</b>	(Optional) Display the configured IGMP leave time.
Step 6	<b>copy running-config startup-config</b>	(Optional) Save your entries in the configuration file.

Use the **no ip igmp snooping last-member-query-interval** global configuration command to globally reset the IGMP leave timer to the default setting.

Use the **no ip igmp snooping vlan** *vlan-id* **last-member-query-interval global configuration command** to remove the configured IGMP leave-time setting from the specified VLAN.

## Configuring TCN-Related Commands

These sections describe how to control flooded multicast traffic during a TCN event:

- [Controlling the Multicast Flooding Time After a TCN Event, page 22-10](#)
- [Recovering from Flood Mode, page 22-11](#)
- [Disabling Multicast Flooding During a TCN Event, page 22-11](#)

### Controlling the Multicast Flooding Time After a TCN Event

You can control the time that multicast traffic is flooded after a TCH event by using the **ip igmp snooping tcn flood query count** global configuration command. This command configures the number of general queries for which multicast data traffic is flooded after a TCN event. Some examples of TCN events are the client changed its location and the receiver is on same port that was blocked but is now forwarding, and a port went down without sending a leave message.

If you set the TCN flood query count to 1 by using the **ip igmp snooping tcn flood query count** command, the flooding stops after receiving one general query. If you set the count to 7, the flooding of multicast traffic due to the TCN event lasts until 7 general queries are received. Groups are relearned based on the general queries received during the TCN event.



Beginning in privileged EXEC mode, follow these steps to configure the TCN flood query count:

	Command	Purpose
Step 1	<b>configure terminal</b>	Enter global configuration mode.
Step 2	<b>ip igmp snooping tcn flood query count</b> <i>count</i>	Specify the number of IGMP general queries for which the multicast traffic is flooded. The range is 1 to 10. By default, the flooding query count is 2.
Step 3	<b>end</b>	Return to privileged EXEC mode.
Step 4	<b>show ip igmp snooping</b>	Verify the TCN settings.
Step 5	<b>copy running-config startup-config</b>	(Optional) Save your entries in the configuration file.

To return to the default flooding query count, use the **no ip igmp snooping tcn flood query count** global configuration command.

## Recovering from Flood Mode

When a topology change occurs, the spanning-tree root sends a special IGMP leave message (also known as global leave) with the group multicast address 0.0.0.0. However, when you enable the **ip igmp snooping tcn query solicit** global configuration command, the switch sends the global leave message whether or not it is the spanning-tree root. When the router receives this special leave, it immediately sends general queries, which expedite the process of recovering from the flood mode during the TCN event. Leaves are always sent if the switch is the spanning-tree root regardless of this configuration command. By default, query solicitation is disabled.

Beginning in privileged EXEC mode, follow these steps to enable the switch sends the global leave message whether or not it is the spanning-tree root:

	Command	Purpose
Step 1	<b>configure terminal</b>	Enter global configuration mode.
Step 2	<b>ip igmp snooping tcn query solicit</b>	Send an IGMP leave message (global leave) to speed the process of recovering from the flood mode caused during a TCN event. By default, query solicitation is disabled.
Step 3	<b>end</b>	Return to privileged EXEC mode.
Step 4	<b>show ip igmp snooping</b>	Verify the TCN settings.
Step 5	<b>copy running-config startup-config</b>	(Optional) Save your entries in the configuration file.

To return to the default query solicitation, use the **no ip igmp snooping tcn query solicit** global configuration command.

## Disabling Multicast Flooding During a TCN Event

When the switch receives a TCN, multicast traffic is flooded to all the ports until two general queries are received. If the switch has many ports with attached hosts that are subscribed to different multicast groups, the flooding might exceed the capacity of the link and cause packet loss. You can use the **ip igmp snooping tcn flood** interface configuration command to control this behavior.

Beginning in privileged EXEC mode, follow these steps to disable multicast flooding on an interface:

	Command	Purpose
Step 1	<b>configure terminal</b>	Enter global configuration mode.
Step 2	<b>interface</b> <i>interface-id</i>	Specify the interface to be configured, and enter interface configuration mode.
Step 3	<b>no shutdown</b>	Enable the port, if necessary. By default, user network interfaces (UNIs) and enhanced network interfaces (ENIs) are disabled, and network node interfaces (NNIs) are enabled.
Step 4	<b>no ip igmp snooping tcn flood</b>	Disable the flooding of multicast traffic during a spanning-tree TCN event.  By default, multicast flooding is enabled on an interface.
Step 5	<b>exit</b>	Return to privileged EXEC mode.
Step 6	<b>show ip igmp snooping</b>	Verify the TCN settings.
Step 7	<b>copy running-config startup-config</b>	(Optional) Save your entries in the configuration file.

To re-enable multicast flooding on an interface, use the **ip igmp snooping tcn flood** interface configuration command.

## Configuring the IGMP Snooping Querier

Follow these guidelines when configuring the IGMP snooping querier:

- Configure the VLAN in global configuration mode.
- Configure an IP address on the VLAN interface. When enabled, the IGMP snooping querier uses the IP address as the query source address.
- If there is no IP address configured on the VLAN interface, the IGMP snooping querier tries to use the configured global IP address for the IGMP querier. If there is no global IP address specified, the IGMP querier tries to use the VLAN switch virtual interface (SVI) IP address (if one exists). If there is no SVI IP address, the switch uses the first available IP address configured on the switch. The first IP address available appears in the output of the **show ip interface** privileged EXEC command. The IGMP snooping querier does not generate an IGMP general query if it cannot find an available IP address on the switch.
- The IGMP snooping querier supports IGMP Versions 1 and 2.
- When administratively enabled, the IGMP snooping querier moves to the nonquerier state if it detects the presence of a multicast router in the network.
- When it is administratively enabled, the IGMP snooping querier moves to the operationally disabled state under these conditions:
  - IGMP snooping is disabled in the VLAN.
  - PIM is enabled on the SVI of the corresponding VLAN.

To enable the IGMP snooping querier feature in a VLAN, follow these steps:

	Command	Purpose
Step 1	<b>configure terminal</b>	Enter global configuration mode.
Step 2	<b>ip igmp snooping querier</b>	Enable the IGMP snooping querier.
Step 3	<b>ip igmp snooping querier</b> <i>ip_address</i>	(Optional) Specify an IP address for the IGMP snooping querier. If you do not specify an IP address, the querier tries to use the global IP address configured for the IGMP querier.  <b>Note</b> The IGMP snooping querier does not generate an IGMP general query if it cannot find an IP address on the switch.
Step 4	<b>ip igmp snooping querier query-interval</b> <i>interval-count</i>	(Optional) Set the interval between IGMP queries. The range is 1 to 18000 seconds.
Step 5	<b>ip igmp snooping querier tcn query</b> [ <i>count count</i>   <b>interval</b> <i>interval</i> ]	(Optional) Set the time between Topology Change Notification (TCN) queries. The count range is 1 to 10. The interval range is 1 to 255 seconds.
Step 6	<b>ip igmp snooping querier timer expiry</b> <i>timeout</i>	(Optional) Set the length of time until the IGMP querier expires. The range is 60 to 300 seconds.
Step 7	<b>ip igmp snooping querier version</b> <i>version</i>	(Optional) Select the IGMP version number that the querier feature uses. Select 1 or 2.
Step 8	<b>end</b>	Return to privileged EXEC mode.
Step 9	<b>show ip igmp snooping vlan</b> <i>vlan-id</i>	(Optional) Verify that the IGMP snooping querier is enabled on the VLAN interface. The VLAN ID range is 1 to 1001 and 1006 to 4094.
Step 10	<b>copy running-config startup-config</b>	(Optional) Save your entries in the configuration file.

This example shows how to set the IGMP snooping querier source address to 10.0.0.64:

```
Switch# configure terminal
Switch(config)# ip igmp snooping querier 10.0.0.64
Switch(config)# end
```

This example shows how to set the IGMP snooping querier maximum response time to 25 seconds:

```
Switch# configure terminal
Switch(config)# ip igmp snooping querier query-interval 25
Switch(config)# end
```

This example shows how to set the IGMP snooping querier timeout to 60 seconds:

```
Switch# configure terminal
Switch(config)# ip igmp snooping querier timeout expiry 60
Switch(config)# end
```

This example shows how to set the IGMP snooping querier feature to version 2:

```
Switch# configure terminal
Switch(config)# no ip igmp snooping querier version 2
Switch(config)# end
```

## Disabling IGMP Report Suppression



### Note

IGMP report suppression is supported only when the multicast query has IGMPv1 and IGMPv2 reports. This feature is not supported when the query includes IGMPv3 reports.

IGMP report suppression is enabled by default. When it is enabled, the switch forwards only one IGMP report per multicast router query. When report suppression is disabled, all IGMP reports are forwarded to the multicast routers.

Beginning in privileged EXEC mode, follow these steps to disable IGMP report suppression:

	Command	Purpose
Step 1	<b>configure terminal</b>	Enter global configuration mode.
Step 2	<b>no ip igmp snooping report-suppression</b>	Disable IGMP report suppression.
Step 3	<b>end</b>	Return to privileged EXEC mode.
Step 4	<b>show ip igmp snooping</b>	Verify that IGMP report suppression is disabled.
Step 5	<b>copy running-config startup-config</b>	(Optional) Save your entries in the configuration file.

To re-enable IGMP report suppression, use the **ip igmp snooping report-suppression** global configuration command.

## Displaying IGMP Snooping Information

You can display IGMP snooping information for dynamically learned and statically configured router ports and VLAN interfaces. You can also display MAC address multicast entries for a VLAN configured for IGMP snooping.

To display IGMP snooping information, use one or more of the privileged EXEC commands in [Table 22-4](#).

**Table 22-4** Commands for Displaying IGMP Snooping Information

Command	Purpose
<b>show ip igmp snooping [vlan <i>vlan-id</i>]</b>	Display the snooping configuration information for all VLANs on the switch or for a specified VLAN.  (Optional) Enter <b>vlan <i>vlan-id</i></b> to display information for a single VLAN. The VLAN ID range is 1 to 1001 and 1006 to 4094.
<b>show ip igmp snooping groups [count  dynamic [count]   user [count]]</b>	Display multicast table information for the switch or about a specific parameter: <ul style="list-style-type: none"> <li>• <b>count</b>—Display the total number of entries for the specified command options instead of the actual entries.</li> <li>• <b>dynamic</b>—Display entries learned through IGMP snooping.</li> <li>• <b>user</b>—Display only the user-configured multicast entries.</li> </ul>

Table 22-4 Commands for Displaying IGMP Snooping Information (continued)

Command	Purpose
<b>show ip igmp snooping groups</b> <i>vlan</i> <i>vlan-id</i> [ <i>ip_address</i>   <b>count</b>   <b>dynamic</b> [ <i>count</i> ]   <b>user</b> [ <i>count</i> ]]	<p>Display multicast table information for a multicast VLAN or about a specific parameter for the VLAN:</p> <ul style="list-style-type: none"> <li>• <i>vlan-id</i>—The VLAN ID range is 1 to 1001 and 1006 to 4094.</li> <li>• <b>count</b>—Display the total number of entries for the specified command options instead of the actual entries.</li> <li>• <b>dynamic</b>—Display entries learned through IGMP snooping.</li> <li>• <i>ip_address</i>—Display characteristics of the multicast group with the specified group IP address.</li> <li>• <b>user</b>—Display only the user-configured multicast entries.</li> </ul>
<b>show ip igmp snooping mrouter</b> [ <i>vlan</i> <i>vlan-id</i> ]	<p>Display information on dynamically learned and manually configured multicast router interfaces.</p> <p><b>Note</b> When you enable IGMP snooping, the switch automatically learns the interface to which a multicast router is connected. These are dynamically learned interfaces.</p> <p>(Optional) Enter <b>vlan</b> <i>vlan-id</i> to display information for a single VLAN.</p>
<b>show ip igmp snooping querier</b> [ <i>vlan</i> <i>vlan-id</i> ]	<p>Display information about the IP address and incoming port for the most-recently received IGMP query messages in the VLAN.</p> <p>(Optional) Enter <b>vlan</b> <i>vlan-id</i> to display information for a single VLAN.</p>
<b>show ip igmp snooping querier</b> [ <i>vlan</i> <i>vlan-id</i> ] <b>detail</b>	<p>Display information about the IP address and incoming port of the most-recently received IGMP query message in the VLAN, and the configuration and operational state of the IGMP snooping querier in the VLAN.</p>

For more information about the keywords and options in these commands, see the command reference for this release.

## Understanding Multicast VLAN Registration

Multicast VLAN Registration (MVR) is designed for applications using wide-scale deployment of multicast traffic across an Ethernet ring-based service-provider network (for example, the broadcast of multiple television channels over a service-provider network). MVR allows a subscriber on a port to subscribe and unsubscribe to a multicast stream on the network-wide multicast VLAN. It allows the single multicast VLAN to be shared in the network while subscribers remain in separate VLANs. MVR provides the ability to continuously send multicast streams in the multicast VLAN, but to isolate the streams from the subscriber VLANs for bandwidth and security reasons.

MVR assumes that subscriber ports subscribe and unsubscribe (join and leave) these multicast streams by sending out IGMP join and leave messages. These messages can originate from an IGMP Version-2-compatible host with an Ethernet connection. Although MVR operates on the underlying mechanism of IGMP snooping, the two features operate independently of each other. One can be enabled or disabled without affecting the behavior of the other feature. However, if IGMP snooping and MVR are both enabled, MVR reacts only to join and leave messages from multicast groups configured under MVR. Join and leave messages from all other multicast groups are managed by IGMP snooping.

The switch CPU identifies the MVR IP multicast streams and their associated IP multicast group in the switch forwarding table, intercepts the IGMP messages, and modifies the forwarding table to include or remove the subscriber as a receiver of the multicast stream, even though the receivers might be in a different VLAN from the source. This forwarding behavior selectively allows traffic to cross between different VLANs.

You can set the switch for compatible or dynamic mode of MVR operation:

- In compatible mode, multicast data received by MVR hosts is forwarded to all MVR data ports, regardless of MVR host membership on those ports. The multicast data is forwarded only to those receiver ports that MVR hosts have joined, either by IGMP reports or by MVR static configuration. IGMP reports received from MVR hosts are never forwarded from MVR data ports that were configured in the switch.
- In dynamic mode, multicast data received by MVR hosts on the switch is forwarded from only those MVR data and client ports that the MVR hosts have joined, either by IGMP reports or by MVR static configuration. Any IGMP reports received from MVR hosts are also forwarded from all the MVR data ports in the switch. This eliminates using unnecessary bandwidth on MVR data port links, which occurs when the switch runs in compatible mode.

Only Layer 2 ports take part in MVR. You must configure ports as MVR receiver ports. Only one MVR multicast VLAN per switch is supported.

## Using MVR in a Multicast Television Application

In a multicast television application, a PC or a television with a set-top box can receive the multicast stream. Multiple set-top boxes or PCs can be connected to one subscriber port, which is a switch port configured as an MVR receiver port. [Figure 22-3](#) is an example configuration. DHCP assigns an IP address to the set-top box or the PC. When a subscriber selects a channel, the set-top box or PC sends an IGMP report to Switch A to join the appropriate multicast. If the IGMP report matches one of the configured IP multicast group addresses, the switch CPU modifies the hardware address table to include this receiver port and VLAN as a forwarding destination of the specified multicast stream when it is received from the multicast VLAN. Uplink ports that send and receive multicast data to and from the multicast VLAN are called MVR source ports.



These messages dynamically register for streams of multicast traffic in the multicast VLAN on the Layer 3 device. Switch B. The access layer switch, Switch A, modifies the forwarding behavior to allow the traffic to be forwarded from the multicast VLAN to the subscriber port in a different VLAN, selectively allowing traffic to cross between two VLANs.

IGMP reports are sent to the same IP multicast group address as the multicast data. The Switch A CPU must capture all IGMP join and leave messages from receiver ports and forward them to the multicast VLAN of the source (uplink) port, based on the MVR mode.

## Configuring MVR

- [Default MVR Configuration, page 22-18](#)
- [MVR Configuration Guidelines and Limitations, page 22-18](#)
- [Configuring MVR Global Parameters, page 22-19](#)
- [Configuring MVR on Access Ports, page 22-21](#)
- [Configuring MVR on Trunk Ports, page 22-22](#)

## Default MVR Configuration

Table 22-5 shows the default MVR configuration.

*Table 22-5 Default MVR Configuration*

Feature	Default Setting
MVR	Disabled globally and per interface
Multicast addresses	None configured
Query response time	0.5 second
Multicast VLAN	VLAN 1
Mode	Compatible
Interface (per port) default	Neither a receiver nor a source port
Immediate Leave	Disabled on all ports

## MVR Configuration Guidelines and Limitations

- Receiver ports on a switch can be in different VLANs, but they should not belong to the multicast VLAN.
- Trunk ports or access ports can be configured as receiver ports.
- When MVR mode is compatible (the default), you can configure only 512 MVR groups.



- When MVR mode is dynamic, the maximum number of multicast entries (MVR group addresses) that can be configured on a switch is 2000. The maximum number of simultaneous active multicast streams (that is, the maximum number of television channels that can be receiving) is 512. When this limit is reached, a message is generated that the *Maximum hardware limit of groups had been reached*. Note that a hardware entry occurs when there is an IGMP join on a port or when you have configured the port to join a group by entering the **mvr vlan vlan-id group ip-address** interface configuration command.
- The maximum number of multicast entries (MVR group addresses) that can be configured on a switch (that is, the maximum number of television channels that can be received) is 512.
- MVR multicast data received in the source VLAN and leaving from receiver ports has its time-to-live (TTL) decremented by 1 in the switch.
- Because MVR on the switch uses IP multicast addresses instead of MAC multicast addresses, aliased IP multicast addresses are allowed on the switch. However, if the switch is interoperating with Catalyst 3550 or Catalyst 3500 XL switches, you should not configure IP addresses that alias between themselves or with the reserved IP multicast addresses (in the range 224.0.0.xxx).
- Do not configure MVR on private VLAN ports.
- MVR is not supported when multicast routing is enabled on a switch. If you enable multicast routing and a multicast routing protocol while MVR is enabled, MVR is disabled, and you receive a warning message. If you try to enable MVR while multicast routing and a multicast routing protocol are enabled, the operation to enable MVR is cancelled, and you receive an error message.
- MVR can coexist with IGMP snooping on a switch.
- MVR data received on an MVR receiver port is not forwarded to MVR source ports.
- MVR does not support IGMPv3 messages.
- Starting with Cisco IOS release 12.2(52)SE, you can enter the **mvr ringmode flood** global configuration to ensure that data forwarding in a ring topology is limited to ports detected as members and excludes forwarding to multicast router ports. This prevents unicast traffic from being dropped in a ring environment when MVR multicast traffic flows in one direction and unicast traffic flows in the other direction.

## Configuring MVR Global Parameters

You do not need to set the optional MVR parameters if you choose to use the default settings. If you do want to change the default parameters (except for the MVR VLAN), you must first enable MVR.



### Note

For complete syntax and usage information for the commands used in this section, see the command reference for this release.

Beginning in privileged EXEC mode, follow these steps to configure MVR parameters:

	Command	Purpose
Step 1	<b>configure terminal</b>	Enter global configuration mode.
Step 2	<b>mvr</b>	Enable MVR on the switch.

	Command	Purpose
Step 3	<b>mvr group</b> <i>ip-address</i> [ <i>count</i> ]	Configure an IP multicast address on the switch or use the <i>count</i> parameter to configure a contiguous series of MVR group addresses. The range for count is 1 to 2000. However, when the MVR mode is compatible, the switch allows a maximum count of 512. When the mode is dynamic, you can create 2000 MVR groups. The default is 1.  Any multicast data sent to this address is sent to all source ports on the switch and all receiver ports that have elected to receive data on that multicast address. Each multicast address would correspond to one television channel.
Step 4	<b>mvr querytime</b> <i>value</i>	(Optional) Define the maximum time to wait for IGMP report memberships on a receiver port before removing the port from multicast group membership. The value is in units of tenths of a second. The range is 1 to 100, and the default is 5 tenths or one-half second.
Step 5	<b>mvr vlan</b> <i>vlan-id</i>	(Optional) Specify the VLAN in which multicast data is received; all source ports must belong to this VLAN. The VLAN range is 1 to 1001 and 1006 to 4094. The default is VLAN 1.
Step 6	<b>mvr mode</b> { <b>dynamic</b>   <b>compatible</b> }	(Optional) Specify the MVR mode of operation: <ul style="list-style-type: none"> <li>• <b>dynamic</b>—Allow dynamic MVR membership on source ports. To configure 2000 MVR groups, the mode must be <b>dynamic</b>.</li> <li>• <b>compatible</b>—Is compatible with Catalyst 3500 XL and Catalyst 2900 XL switches and does not support IGMP dynamic joins on source ports.</li> </ul> The default is <b>compatible</b> mode.
Step 7	<b>mvr ringmode flood</b>	(Optional) Enable MVR ringmode flooding for access rings. Entering this command controls traffic flow in egress ports in a ring environment to prevent the dropping of unicast traffic.
Step 8	<b>end</b>	Return to privileged EXEC mode.
Step 9	<b>show mvr</b> or <b>show mvr members</b>	Verify the configuration.
Step 10	<b>copy running-config startup-config</b>	(Optional) Save your entries in the configuration file.

To return the switch to its default settings, use the **no mvr [mode | group ip-address | querytime | vlan]** global configuration commands.

This example shows how to enable MVR, configure the group address, set the query time to 1 second (10 tenths), specify the MVR multicast VLAN as VLAN 22, and set the MVR mode as dynamic:

```
Switch(config)# mvr
Switch(config)# mvr group 228.1.23.4
Switch(config)# mvr querytime 10
Switch(config)# mvr vlan 22
Switch(config)# mvr mode dynamic
Switch(config)# end
```

You can use the **show mvr members** privileged EXEC command to verify the MVR multicast group addresses on the switch.

## Configuring MVR on Access Ports



**Note** For more information about access and trunk ports, see [Chapter 10, “Configuring Interfaces”](#).

Beginning in privileged EXEC mode, follow these steps to configure Layer 2 MVR interfaces on access ports:

	Command	Purpose
Step 1	<b>configure terminal</b>	Enter global configuration mode.
Step 2	<b>mvr</b>	Enable MVR on the switch.
Step 3	<b>interface</b> <i>interface-id</i>	Specify the Layer 2 port to configure, and enter interface configuration mode.
Step 4	<b>no shutdown</b>	Enable the port, if necessary. By default, UNIs and ENIs are disabled, and NNIs are enabled.
Step 5	<b>mvr type</b> {source   receiver}	<p>Configure an MVR port as one of these:</p> <ul style="list-style-type: none"> <li>• <b>source</b>—Configure uplink ports that receive and send multicast data as source ports. Subscribers cannot be directly connected to source ports. All source ports on a switch belong to the single multicast VLAN.</li> <li>• <b>receiver</b>—Configure a port as a receiver port if it is a subscriber port and should only receive multicast data. It does not receive data unless it becomes a member of the multicast group, either statically or by using IGMP leave and join messages. Receiver ports cannot belong to the multicast VLAN.</li> </ul> <p>The default configuration is as a non-MVR port. If you attempt to configure a non-MVR port with MVR characteristics, the operation fails.</p>
Step 6	<b>mvr vlan</b> <i>vlan-id</i> <b>group</b> [ <i>ip-address</i> ]	<p>(Optional) Statically configure a port to receive multicast traffic sent to the multicast VLAN and the IP multicast address. A port statically configured as a member of a group remains a member of the group until statically removed.</p> <p><b>Note</b> In compatible mode, this command applies to only receiver ports. In dynamic mode, it applies to receiver ports and source ports.</p> <p>Receiver ports can also dynamically join multicast groups by using IGMP join and leave messages.</p>
Step 7	<b>mvr immediate</b>	<p>(Optional) Enable the Immediate-Leave feature of MVR on the port.</p> <p><b>Note</b> This command applies to only receiver ports and should only be enabled on receiver ports to which a single receiver device is connected.</p>
Step 8	<b>end</b>	Return to privileged EXEC mode.
Step 9	<b>show mvr</b> <b>show mvr interface</b> or <b>show mvr members</b>	Verify the configuration.
Step 10	<b>copy running-config startup-config</b>	(Optional) Save your entries in the configuration file.

To return the interface to its default settings, use the **no mvr [type | immediate | vlan *vlan-id* | group]** interface configuration commands.

This example shows how to configure a port as a receiver port, statically configure the port to receive multicast traffic sent to the multicast group address, configure Immediate Leave on the port, and verify the results.

```
Switch(config)# mvr
Switch(config)# interface gigabitethernet0/2
Switch(config-if)# mvr type receiver
Switch(config-if)# mvr vlan 22 group 228.1.23.4
Switch(config-if)# mvr immediate
Switch(config)# end
Switch# show mvr interface
Port      Type           Mode           VLAN   Status           Immediate Leave
----      -
Gia0/2   RECEIVER      Trunk          201    ACTIVE/DOWN      DISABLED
```

## Configuring MVR on Trunk Ports

Beginning in privileged EXEC mode, follow these steps to configure a trunk port as an MVR receiver port:

	Command	Purpose
Step 1	<b>configure terminal</b>	Enter global configuration mode.
Step 2	<b>mvr</b>	Enable MVR on the switch.
Step 3	<b>interface <i>interface-id</i></b>	Enter the Layer 2 port to configure and enter interface configuration mode.
Step 4	<b>switchport mode trunk</b>	Set trunking mode to TRUNK unconditionally.  <b>Note</b> When you are configuring a trunk port as an MVR receiver port, we recommend that the source port is configured as a network node interface (NNI) and the MVR trunk receiver port is configured as a user node interface (UNI) or enhanced network interface (ENI).
Step 5	<b>mvr type receiver</b>	Specify that the trunk port is an MVR receiver port.
Step 6	<b>mvr vlan <i>source-vlan-id</i> receiver vlan <i>receiver-vlan-id</i></b>	Enable this trunk port to distribute MVR traffic coming from the MVR VLAN to the VLAN on the trunk identified by the receiver VLAN.
Step 7	<b>mvr vlan <i>vlan-id</i> group <i>ip-address</i> receiver <i>vlan-id</i></b>	(Optional) Configure the trunk port to be a static member of the group on the receiver VLAN.
Step 8	<b>end</b>	Return to privileged EXEC mode.
Step 9	<b>show mvr</b> <b>show mvr interface</b> <b>show mvr members</b>	Verify the configuration.
Step 10	<b>copy running-config startup-config</b>	(Optional) Save your entries in the configuration file.

This example shows how to configure a port as an MVR trunk receiver port, assign it to a VLAN, configure the port to be a static member of a group, and verify the results.

```
Switch(config)# mvr
```

```
Switch(config)# interface fastethernet 0/10
Switch(config)# switchport mode trunk
Switch(config)# mvr type receiver
Switch(config)# mvr vlan 100 receiver vlan 201
Switch(config)# mvr vlan 100 group 239.1.1.1 receiver vlan 201
Switch(config)# end
Switch# show mvr interface
```

To return the interface to its default settings, use the `no mvr [type | immediate | vlan vlan-id | group]` interface configuration command.

## Displaying MVR Information

You can display MVR information for the switch or for a specified interface. Beginning in privileged EXEC mode, use the commands in [Table 22-6](#) to display MVR configuration:

**Table 22-6** Commands for Displaying MVR Information

Command	Purpose
<code>show mvr</code>	Displays MVR status and values for the switch—whether MVR is enabled or disabled, the multicast VLAN, the maximum (512) and current (0 through 512) number of multicast groups, the query response time, and the MVR mode.
<code>show mvr interface [interface-id] [members [vlan vlan-id]]</code>	<p>Displays all MVR interfaces and their MVR configurations.</p> <p>When a specific interface is entered, displays this information:</p> <ul style="list-style-type: none"> <li>• Type—Receiver or Source</li> <li>• Mode—Access or Trunk</li> <li>• VLAN—The MVR VLAN for the source port and the receiver VLAN for the receiver port</li> <li>• Status—One of these: <ul style="list-style-type: none"> <li>– Active means the port is part of a VLAN.</li> <li>– Up/Down means that the port is forwarding or nonforwarding.</li> <li>– Inactive means that the port is not part of any VLAN.</li> </ul> </li> <li>• Immediate Leave—Enabled or Disabled</li> </ul> <p>If the <b>members</b> keyword is entered, displays all multicast group members on this port or, if a VLAN identification is entered, all multicast group members on the VLAN. The VLAN ID range is 1 to 1001 and 1006 to 4094.</p>
<code>show mvr members [ip-address]</code>	Displays all receiver and source ports that are members of any IP multicast group or the specified IP multicast group IP address.

## Configuring IGMP Filtering and Throttling

In some environments, for example, metropolitan or multiple-dwelling unit (MDU) installations, you might want to control the set of multicast groups to which a user on a switch port can belong. You can control the distribution of multicast services, such as IP/TV, based on some type of subscription or service plan. You might also want to limit the number of multicast groups to which a user on a switch port can belong.

With the IGMP filtering feature, you can filter multicast joins on a per-port basis by configuring IP multicast profiles and associating them with individual switch ports. An IGMP profile can contain one or more multicast groups and specifies whether access to the group is permitted or denied. If an IGMP profile denying access to a multicast group is applied to a switch port, the IGMP join report requesting the stream of IP multicast traffic is dropped, and the port is not allowed to receive IP multicast traffic from that group. If the filtering action permits access to the multicast group, the IGMP report from the port is forwarded for normal processing. You can also set the maximum number of IGMP groups that a Layer 2 interface can join.

IGMP filtering controls only group-specific query and membership reports, including join and leave reports. It does not control general IGMP queries. IGMP filtering has no relationship with the function that directs the forwarding of IP multicast traffic. The filtering feature operates in the same manner whether IGMP or MVR is used to forward the multicast traffic.

IGMP filtering is applicable only to the dynamic learning of IP multicast group addresses, not static configuration.

With the IGMP throttling feature, you can set the maximum number of IGMP groups that a Layer 2 interface can join. If the maximum number of IGMP groups is set, the IGMP snooping forwarding table contains the maximum number of entries, and the interface receives an IGMP join report, you can configure an interface to drop the IGMP report or to replace the randomly selected multicast entry with the received IGMP report.

**Note**


---

IGMPv3 join and leave messages are not supported on switches running IGMP filtering.

---

These sections contain this configuration information:

- [Default IGMP Filtering and Throttling Configuration, page 22-24](#)
- [Configuring IGMP Profiles, page 22-25](#) (optional)
- [Applying IGMP Profiles, page 22-26](#) (optional)
- [Setting the Maximum Number of IGMP Groups, page 22-26](#) (optional)
- [Configuring the IGMP Throttling Action, page 22-27](#) (optional)

## Default IGMP Filtering and Throttling Configuration

[Table 22-7](#) shows the default IGMP filtering configuration.

**Table 22-7**      *Default IGMP Filtering Configuration*

Feature	Default Setting
IGMP filters	None applied
IGMP maximum number of IGMP groups	No maximum set
IGMP profiles	None defined
IGMP profile action	Deny the range addresses

When the maximum number of groups is in forwarding table, the default IGMP throttling action is to deny the IGMP report. For configuration guidelines, see the [“Configuring the IGMP Throttling Action” section on page 22-27](#).

## Configuring IGMP Profiles

To configure an IGMP profile, use the **ip igmp profile** global configuration command with a profile number to create an IGMP profile and to enter IGMP profile configuration mode. From this mode, you can specify the parameters of the IGMP profile to be used for filtering IGMP join requests from a port. When you are in IGMP profile configuration mode, you can create the profile by using these commands:

- **deny**: Specifies that matching addresses are denied; this is the default.
- **exit**: Exits from igmp-profile configuration mode.
- **no**: Negates a command or returns to its defaults.
- **permit**: Specifies that matching addresses are permitted.
- **range**: Specifies a range of IP addresses for the profile. You can enter a single IP address or a range with a start and an end address.

The default is for the switch to have no IGMP profiles configured. When a profile is configured, if neither the **permit** nor **deny** keyword is included, the default is to deny access to the range of IP addresses.

Beginning in privileged EXEC mode, follow these steps to create an IGMP profile:

	Command	Purpose
Step 1	<b>configure terminal</b>	Enter global configuration mode.
Step 2	<b>ip igmp profile</b> <i>profile number</i>	Assign a number to the profile you are configuring, and enter IGMP profile configuration mode. The profile number range is 1 to 4294967295.
Step 3	<b>permit   deny</b>	(Optional) Set the action to permit or deny access to the IP multicast address. If no action is configured, the default for the profile is to deny access.
Step 4	<b>range</b> <i>ip multicast address</i>	Enter the IP multicast address or range of IP multicast addresses to which access is being controlled. If entering a range, enter the low IP multicast address, a space, and the high IP multicast address.  You can use the <b>range</b> command multiple times to enter multiple addresses or ranges of addresses.
Step 5	<b>end</b>	Return to privileged EXEC mode.
Step 6	<b>show ip igmp profile</b> <i>profile number</i>	Verify the profile configuration.
Step 7	<b>copy running-config startup-config</b>	(Optional) Save your entries in the configuration file.

To delete a profile, use the **no ip igmp profile** *profile number* global configuration command.

To delete an IP multicast address or range of IP multicast addresses, use the **no range ip multicast address** IGMP profile configuration command.

This example shows how to create IGMP profile 4 allowing access to the single IP multicast address and how to verify the configuration. If the action was to deny (the default), it would not appear in the **show ip igmp profile** output display.

```
Switch(config)# ip igmp profile 4
Switch(config-igmp-profile)# permit
Switch(config-igmp-profile)# range 229.9.9.0
Switch(config-igmp-profile)# end
Switch# show ip igmp profile 4
IGMP Profile 4
    permit
    range 229.9.9.0 229.9.9.0
```

## Applying IGMP Profiles

To control access as defined in an IGMP profile, use the **ip igmp filter** interface configuration command to apply the profile to the appropriate interfaces. You can apply IGMP profiles only to Layer 2 access ports; you cannot apply IGMP profiles to routed ports or SVIs. You cannot apply profiles to ports that belong to an EtherChannel port group. You can apply a profile to multiple interfaces, but each interface can have only one profile applied to it.

Beginning in privileged EXEC mode, follow these steps to apply an IGMP profile to a switch port:

	Command	Purpose
Step 1	<b>configure terminal</b>	Enter global configuration mode.
Step 2	<b>interface</b> <i>interface-id</i>	Specify the physical interface, and enter interface configuration mode. The interface must be a Layer 2 port that does not belong to an EtherChannel port group.
Step 3	<b>no shutdown</b>	Enable the port, if necessary. By default, UNIs and ENIs are disabled, and NNIs are enabled.
Step 4	<b>ip igmp filter</b> <i>profile number</i>	Apply the specified IGMP profile to the interface. The range is 1 to 4294967295.
Step 5	<b>end</b>	Return to privileged EXEC mode.
Step 6	<b>show running-config interface</b> <i>interface-id</i>	Verify the configuration.
Step 7	<b>copy running-config startup-config</b>	(Optional) Save your entries in the configuration file.

To remove a profile from an interface, use the **no ip igmp filter** *profile number* interface configuration command.

This example shows how to apply IGMP profile 4 to a port:

```
Switch(config)# interface gigabitethernet0/2
Switch(config-if)# ip igmp filter 4
Switch(config-if)# end
```

## Setting the Maximum Number of IGMP Groups

You can set the maximum number of IGMP groups that a Layer 2 interface can join by using the **ip igmp max-groups** interface configuration command. Use the **no** form of this command to set the maximum back to the default, which is no limit.

This restriction can be applied to Layer 2 ports only; you cannot set a maximum number of IGMP groups on routed ports or SVIs. You can use this command on a logical EtherChannel interface but cannot use it on ports that belong to an EtherChannel port group.



Beginning in privileged EXEC mode, follow these steps to set the maximum number of IGMP groups in the forwarding table:

	Command	Purpose
Step 1	<b>configure terminal</b>	Enter global configuration mode.
Step 2	<b>interface</b> <i>interface-id</i>	Specify the interface to be configured, and enter interface configuration mode. The interface can be a Layer 2 port that does not belong to an EtherChannel group or a EtherChannel interface.
Step 3	<b>no shutdown</b>	Enable the port, if necessary. By default, UNIs and ENIs are disabled, and NNIs are enabled.
Step 4	<b>ip igmp max-groups</b> <i>number</i>	Set the maximum number of IGMP groups that the interface can join. The range is 0 to 4294967294. The default is to have no maximum set.
Step 5	<b>end</b>	Return to privileged EXEC mode.
Step 6	<b>show running-config interface</b> <i>interface-id</i>	Verify the configuration.
Step 7	<b>copy running-config startup-config</b>	(Optional) Save your entries in the configuration file.

To remove the maximum group limitation and return to the default of no maximum, use the **no ip igmp max-groups** interface configuration command.

This example shows how to limit to 25 the number of IGMP groups that a port can join.

```
Switch(config)# interface gigabitethernet0/2
Switch(config-if)# ip igmp max-groups 25
Switch(config-if)# end
```

## Configuring the IGMP Throttling Action

After you set the maximum number of IGMP groups that a Layer 2 interface can join, you can configure an interface to replace the existing group with the new group for which the IGMP report was received by using the **ip igmp max-groups action replace** interface configuration command. Use the **no** form of this command to return to the default, which is to drop the IGMP join report.

Follow these guidelines when configuring the IGMP throttling action:

- This restriction can be applied only to Layer 2 ports. You can use this command on a logical EtherChannel interface but cannot use it on ports that belong to an EtherChannel port group.
- When the maximum group limitation is set to the default (no maximum), entering the **ip igmp max-groups action {deny | replace}** command has no effect.
- If you configure the throttling action and set the maximum group limitation after an interface has added multicast entries to the forwarding table, the forwarding-table entries are either aged out or removed, depending on the throttling action.
  - If you configure the throttling action as **deny**, the entries that were previously in the forwarding table are not removed but are aged out. After these entries are aged out and the maximum number of entries is in the forwarding table, the switch drops the next IGMP report received on the interface.
  - If you configure the throttling action as **replace**, the entries that were previously in the forwarding table are removed. When the maximum number of entries is in the forwarding table, the switch replaces a randomly selected entry with the received IGMP report.

To prevent the switch from removing the forwarding-table entries, you can configure the IGMP throttling action before an interface adds entries to the forwarding table.

Beginning in privileged EXEC mode, follow these steps to configure the throttling action when the maximum number of entries is in the forwarding table:

	Command	Purpose
Step 1	<b>configure terminal</b>	Enter global configuration mode.
Step 2	<b>interface</b> <i>interface-id</i>	Specify the physical interface to be configured, and enter interface configuration mode. The interface can be a Layer 2 port that does not belong to an EtherChannel group or an EtherChannel interface. The interface cannot be a trunk port.
Step 3	<b>no shutdown</b>	Enable the port, if necessary. By default, UNIs and ENIs are disabled, and NNIs are enabled.
Step 4	<b>ip igmp max-groups action</b> { <b>deny</b>   <b>replace</b> }	When an interface receives an IGMP report and the maximum number of entries is in the forwarding table, specify the action that the interface takes: <ul style="list-style-type: none"> <li>• <b>deny</b>—Drop the report.</li> <li>• <b>replace</b>—Replace the existing group with the new group for which the IGMP report was received.</li> </ul>
Step 5	<b>end</b>	Return to privileged EXEC mode.
Step 6	<b>show running-config interface</b> <i>interface-id</i>	Verify the configuration.
Step 7	<b>copy running-config startup-config</b>	(Optional) Save your entries in the configuration file.

To return to the default action of dropping the report, use the **no ip igmp max-groups action** interface configuration command.

This example shows how to configure a port to remove a randomly selected multicast entry in the forwarding table and to add an IGMP group to the forwarding table when the maximum number of entries is in the table.

```
Switch(config)# interface gigabitethernet0/1
Switch(config-if)# ip igmp max-groups action replace
Switch(config-if)# end
```

## Displaying IGMP Filtering and Throttling Configuration

You can display IGMP profile characteristics, and you can display the IGMP profile and maximum group configuration for all interfaces on the switch or for a specified interface. You can also display the IGMP throttling configuration for all interfaces on the switch or for a specified interface.

Use the privileged EXEC commands in [Table 22-8](#) to display IGMP filtering and throttling configuration:

**Table 22-8** *Commands for Displaying IGMP Filtering and Throttling Configuration*

Command	Purpose
<b>show ip igmp profile</b> [ <i>profile number</i> ]	Displays the specified IGMP profile or all the IGMP profiles defined on the switch.
<b>show running-config</b> [ <b>interface</b> <i>interface-id</i> ]	Displays the configuration of the specified interface or the configuration of all interfaces on the switch, including (if configured) the maximum number of IGMP groups to which an interface can belong and the IGMP profile applied to the interface.





## Configuring Port-Based Traffic Control

---

This chapter describes how to configure the port-based traffic control features on the Cisco ME 3400E Ethernet Access switch.



Note

For complete syntax and usage information for the commands used in this chapter, see the command reference for this release.

---

- [Configuring Storm Control, page 23-1](#)
- [Configuring Protected Ports, page 23-5](#)
- [Configuring Port Blocking, page 23-6](#)
- [Configuring Port Security, page 23-8](#)
- [Displaying Port-Based Traffic Control Settings, page 23-17](#)

## Configuring Storm Control

- [Understanding Storm Control, page 23-1](#)
- [Default Storm Control Configuration, page 23-3](#)
- [Configuring Storm Control and Threshold Levels, page 23-3](#)

## Understanding Storm Control

Storm control prevents traffic on a LAN from being disrupted by a broadcast, multicast, or unicast storm on one of the physical interfaces. A LAN storm occurs when packets flood the LAN, creating excessive traffic and degrading network performance. Errors in the protocol-stack implementation or in the network configuration can cause a storm.

Storm control (or traffic suppression) monitors packets passing from an interface to the switching bus and determines if the packet is unicast, multicast, or broadcast. The switch counts the number of packets of a specified type received within the 1-second time interval and compares the measurement with a predefined suppression-level threshold.

Storm control uses one of these methods to measure traffic activity:

- Bandwidth as a percentage of the total available bandwidth of the port that can be used by the broadcast, multicast, or unicast traffic

- Traffic rate in packets per second at which broadcast, multicast, or unicast packets are received
- Traffic rate in bits per second at which broadcast, multicast, or unicast packets are received

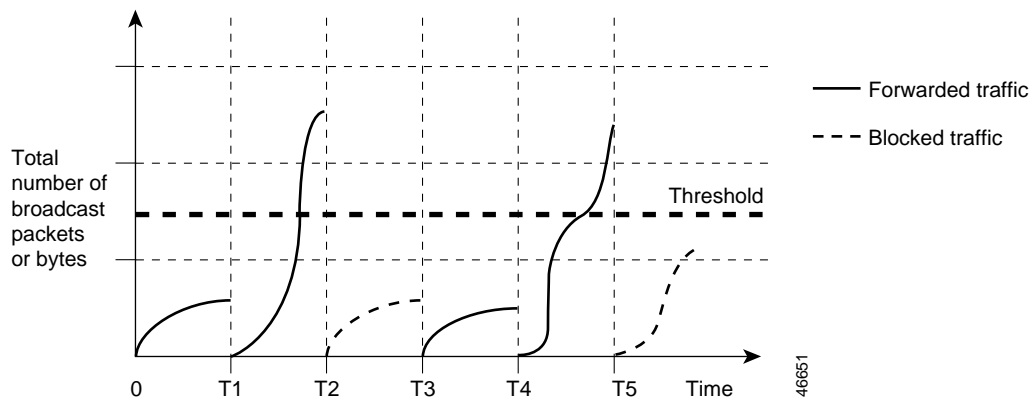
With each method, the port blocks traffic when the rising threshold is reached. The port remains blocked until the traffic rate drops below the falling threshold (if one is specified) and then resumes normal forwarding. If the falling suppression level is not specified, the switch blocks all traffic until the traffic rate drops below the rising suppression level. In general, the higher the level, the less effective the protection against broadcast storms.

**Note**

When the storm control threshold for multicast traffic is reached, all multicast traffic except control traffic, such as bridge protocol data unit (BDPU) and Cisco Discovery Protocol (CDP) frames, are blocked. However, the switch does not differentiate between routing updates, such as OSPF, and regular multicast data traffic, so both types of traffic are blocked.

The graph in [Figure 23-1](#) shows broadcast traffic patterns on an interface over a given period of time. The example can also be applied to multicast and unicast traffic. In this example, the broadcast traffic being forwarded exceeded the configured threshold between time intervals T1 and T2 and between T4 and T5. When the amount of specified traffic exceeds the threshold, all traffic of that kind is dropped for the next time period. Therefore, broadcast traffic is blocked during the intervals following T2 and T5. At the next time interval (for example, T3), if broadcast traffic does not exceed the threshold, it is again forwarded.

**Figure 23-1** Broadcast Storm Control Example



The combination of the storm-control suppression level and the 1-second time interval controls the way the storm control algorithm works. A higher threshold allows more packets to pass through. A threshold value of 100 percent means that no limit is placed on the traffic. A value of 0.0 means that all broadcast, multicast, or unicast traffic on that port is blocked.

**Note**

Because packets do not arrive at uniform intervals, the 1-second time interval during which traffic activity is measured can affect the behavior of storm control.

You use the **storm-control** interface configuration commands to set the threshold value for each traffic type.

## Default Storm Control Configuration

By default, unicast, broadcast, and multicast storm control are disabled on the switch interfaces; that is, the suppression level is 100 percent.

## Configuring Storm Control and Threshold Levels

You configure storm control on a port and enter the threshold level that you want to be used for a particular type of traffic.



Note

The ME 3400E switch does not require additional configuration to cause the switch storm-control counters to increment for small frames because the storm-control feature correctly handles small frames.

However, because of hardware limitations and the way in which packets of different sizes are counted, threshold percentages are approximations. Depending on the sizes of the packets making up the incoming traffic, the actual enforced threshold might differ from the configured level by several percentage points.



Note

Storm control is supported on physical interfaces. You can also configure storm control on an EtherChannel. When storm control is configured on an EtherChannel, the storm control settings propagate to the EtherChannel physical interfaces.

Beginning in privileged EXEC mode, follow these steps to storm control and threshold levels:

	Command	Purpose
Step 1	<b>configure terminal</b>	Enter global configuration mode.
Step 2	<b>interface</b> <i>interface-id</i>	Specify the interface to be configured, and enter interface configuration mode.
Step 3	<b>no shutdown</b>	Enable the port, if necessary. By default, user network interfaces (UNIs) and enhanced network interfaces (ENIs) are disabled, and network node interfaces (NNIs) are enabled.

Command	Purpose
Step 4 <b>storm-control</b> { <b>broadcast</b>   <b>multicast</b>   <b>unicast</b> } <b>level</b> { <i>level</i> [ <i>level-low</i> ]   <b>bps</b> <i>bps</i> [ <i>bps-low</i> ]   <b>pps</b> <i>pps</i> [ <i>pps-low</i> ]}	<p>Configure broadcast, multicast, or unicast storm control. By default, storm control is disabled.</p> <p>The keywords have these meanings:</p> <ul style="list-style-type: none"> <li>For <i>level</i>, specify the rising threshold level for broadcast, multicast, or unicast traffic as a percentage (up to two decimal places) of the bandwidth. The port blocks traffic when the rising threshold is reached. The range is <b>0.00 to 100.00</b>.</li> <li>(Optional) For <i>level-low</i>, specify the falling threshold level as a percentage (up to two decimal places) of the bandwidth. This value must be less than or equal to the rising suppression value. The port forwards traffic when traffic drops below this level. If you do not configure a falling suppression level, it is set to the rising suppression level. The range is <b>0.00 to 100.00</b>.</li> </ul> <p>If you set the threshold to the maximum value (100 percent), no limit is placed on the traffic. If you set the threshold to 0.0, all broadcast, multicast, and unicast traffic on that port is blocked.</p> <ul style="list-style-type: none"> <li>For <b>bps</b> <i>bps</i>, specify the rising threshold level for broadcast, multicast, or unicast traffic in bits per second (up to one decimal place). The port blocks traffic when the rising threshold is reached. The range is <b>0.0 to 10000000000.0</b>.</li> <li>(Optional) For <i>bps-low</i>, specify the falling threshold level in bits per second (up to one decimal place). It can be less than or equal to the rising threshold level. The port forwards traffic when traffic drops below this level. The range is <b>0.0 to 10000000000.0</b>.</li> <li>For <b>pps</b> <i>pps</i>, specify the rising threshold level for broadcast, multicast, or unicast traffic in packets per second (up to one decimal place). The port blocks traffic when the rising threshold is reached. The range is <b>0.0 to 10000000000.0</b>.</li> <li>(Optional) For <i>pps-low</i>, specify the falling threshold level in packets per second (up to one decimal place). It can be less than or equal to the rising threshold level. The port forwards traffic when traffic drops below this level. The range is <b>0.0 to 10000000000.0</b>.</li> </ul> <p>For BPS and PPS settings, you can use metric suffixes such as k, m, and g for large number thresholds.</p>
Step 5 <b>storm-control action</b> { <b>shutdown</b>   <b>trap</b> }	<p>Specify the action to be taken when a storm is detected. The default is to filter out the traffic and not to send traps.</p> <ul style="list-style-type: none"> <li>Select the <b>shutdown</b> keyword to error-disable the port during a storm.</li> <li>Select the <b>trap</b> keyword to generate an SNMP trap when a storm is detected.</li> </ul>
Step 6 <b>end</b>	Return to privileged EXEC mode.
Step 7 <b>show storm-control</b> [ <i>interface-id</i> ] [ <b>broadcast</b>   <b>multicast</b>   <b>unicast</b> ]	Verify the storm control suppression levels set on the interface for the specified traffic type. If you do not enter a traffic type, broadcast storm control settings are displayed.
Step 8 <b>copy running-config startup-config</b>	(Optional) Save your entries in the configuration file.



To disable storm control, use the **no storm-control {broadcast | multicast | unicast} level** interface configuration command.

This example shows how to enable unicast storm control on a port with an 87-percent rising suppression level and a 65-percent falling suppression level:

```
Switch# configure terminal
Switch(config)# interface gigabitethernet0/1
Switch(config-if)# storm-control unicast level 87 65
```

This example shows how to enable broadcast address storm control on a port to a level of 20 percent. When the broadcast traffic exceeds the configured level of 20 percent of the total available bandwidth of the port within the traffic-storm-control interval, the switch drops all broadcast traffic until the end of the traffic-storm-control interval:

```
Switch# configure terminal
Switch(config)# interface gigabitethernet0/1
Switch(config-if)# storm-control broadcast level 20
```

## Configuring Protected Ports

Some applications require that no traffic be forwarded at Layer 2 between ports on the same switch so that one neighbor does not see the traffic generated by another neighbor. In such an environment, the use of protected ports ensures that there is no exchange of unicast, broadcast, or multicast traffic between these ports on the switch.



### Note

NNIs default to non-protected ports. Since UNIs and ENIs provide port isolation, protected port is not available on UNI and ENI ports. For more information about port types, see the [“UNI, NNI, and ENI Port Types”](#) section on page 10-2.

Protected ports have these features:

- A protected port does not forward any traffic (unicast, multicast, or broadcast) to any other port that is also a protected port. Data traffic cannot be forwarded between protected ports at Layer 2; only control traffic, such as PIM packets, is forwarded because these packets are processed by the CPU and forwarded in software. All data traffic passing between protected ports must be forwarded through a Layer 3 device.
- Forwarding behavior between a protected port and a nonprotected port proceeds as usual.

These sections contain this configuration information:

- [Default Protected Port Configuration, page 23-5](#)
- [Protected Port Configuration Guidelines, page 23-6](#)
- [Configuring a Protected Port, page 23-6](#)

## Default Protected Port Configuration

The default is to have no protected ports defined.

## Protected Port Configuration Guidelines

You can configure protected ports on a physical interface that is configured as an NNI (for example, Gigabit Ethernet port 1) or an EtherChannel group (for example, port-channel 5). When you enable protected ports for a port channel, it is enabled for all ports in the port-channel group.

Do not configure a private-VLAN port as a protected port. Do not configure a protected port as a private-VLAN port. A private-VLAN isolated port does not forward traffic to other isolated ports or community ports. For more information about private VLANs, see [Chapter 13, “Configuring Private VLANs.”](#)

## Configuring a Protected Port

Beginning in privileged EXEC mode, follow these steps to define a port as a protected port:

	Command	Purpose
Step 1	<b>configure terminal</b>	Enter global configuration mode.
Step 2	<b>interface</b> <i>interface-id</i>	Specify the interface to configure, and enter interface configuration mode. The interface must be an NNI. <b>Note</b> By default, UNIs and ENIs are protected ports.
Step 3	<b>switchport protected</b>	Configure the interface to be a protected port.
Step 4	<b>end</b>	Return to privileged EXEC mode.
Step 5	<b>show interfaces</b> <i>interface-id</i> <b>switchport</b>	Verify your entries.
Step 6	<b>copy running-config startup-config</b>	(Optional) Save your entries in the configuration file.

To disable protected port, use the **no switchport protected** interface configuration command.

This example shows how to configure a port as a protected port:

```
Switch# configure terminal
Switch(config)# interface gigabitethernet0/1
Switch(config-if)# switchport protected
Switch(config-if)# end
```

This example shows how to configure a FastEthernet port as a protected port.

```
Switch# configure terminal
Switch(config)# interface fastethernet 0/1
Switch(config-if)# port-type NNI
Switch(config-if)# no shutdown
Switch(config-if)# switchport protected
Switch(config-if)# end
```

## Configuring Port Blocking

By default, the switch floods packets with unknown destination MAC addresses out of all ports. If unknown unicast and multicast traffic is forwarded to a protected port, there could be security issues. To prevent unknown unicast or multicast traffic from being forwarded from one port to another, you can block a port (protected or nonprotected) from flooding unknown unicast or multicast packets to other ports.

**Note**

With multicast traffic, the port blocking feature blocks only pure Layer 2 packets. Multicast packets that contain IPv4 or IPv6 information in the header are not blocked.

These sections contain this configuration information:

- [Default Port Blocking Configuration, page 23-7](#)
- [Blocking Flooded Traffic on an Interface, page 23-7](#)

## Default Port Blocking Configuration

The default is to not block flooding of unknown multicast and unicast traffic out of a port, but to flood these packets to all ports.

## Blocking Flooded Traffic on an Interface

**Note**

The interface can be a physical interface or an EtherChannel group. When you block multicast or unicast traffic for a port channel, it is blocked on all ports in the port-channel group.

Beginning in privileged EXEC mode, follow these steps to disable the flooding of unicast and Layer 2 multicast packets out of an interface:

	Command	Purpose
Step 1	<b>configure terminal</b>	Enter global configuration mode.
Step 2	<b>interface</b> <i>interface-id</i>	Specify the interface to be configured, and enter interface configuration mode.
Step 3	<b>no shutdown</b>	Enable the port, if necessary. By default, UNIs and ENIs are disabled, and NNIs are enabled.
Step 4	<b>switchport block multicast</b>	Block unknown multicast forwarding out of the port. <b>Note</b> Only pure Layer 2 multicast traffic is blocked. Multicast packets that contain IPv4 or IPv6 information in the header are not blocked.
Step 5	<b>switchport block unicast</b>	Block unknown unicast forwarding out of the port.
Step 6	<b>end</b>	Return to privileged EXEC mode.
Step 7	<b>show interfaces</b> <i>interface-id</i> <b>switchport</b>	Verify your entries.
Step 8	<b>copy running-config startup-config</b>	(Optional) Save your entries in the configuration file.

To return the interface to the default condition where no traffic is blocked and normal forwarding occurs on the port, use the **no switchport block {multicast | unicast}** interface configuration commands.

This example shows how to block unicast and Layer 2 multicast flooding on a port:

```
Switch# configure terminal
Switch(config)# interface fastethernet0/1
Switch(config-if)# no shutdown
Switch(config-if)# switchport block multicast
```

```
Switch(config-if)# switchport block unicast
Switch(config-if)# end
```

## Configuring Port Security

You can use the port security feature to restrict input to an interface by limiting and identifying MAC addresses of the stations allowed to access the port. When you assign secure MAC addresses to a secure port, the port does not forward packets with source addresses outside the group of defined addresses. If you limit the number of secure MAC addresses to one and assign a single secure MAC address, the workstation attached to that port is assured the full bandwidth of the port.

If a port is configured as a secure port and the maximum number of secure MAC addresses is reached, when the MAC address of a station attempting to access the port is different from any of the identified secure MAC addresses, a security violation occurs. Also, if a station with a secure MAC address configured or learned on one secure port attempts to access another secure port, a violation is flagged.

These sections contain this conceptual and configuration information:

- [Understanding Port Security, page 23-8](#)
- [Default Port Security Configuration, page 23-10](#)
- [Port Security Configuration Guidelines, page 23-10](#)
- [Enabling and Configuring Port Security, page 23-11](#)
- [Enabling and Configuring Port Security Aging, page 23-15](#)
- [Port Security and Private VLANs, page 23-16](#)

## Understanding Port Security

- [Secure MAC Addresses, page 23-8](#)
- [Security Violations, page 23-9](#)

### Secure MAC Addresses

You configure the maximum number of secure addresses allowed on a port by using the **switchport port-security maximum** *value* interface configuration command.



#### Note

If you try to set the maximum value to a number less than the number of secure addresses already configured on an interface, the command is rejected.

The switch supports these types of secure MAC addresses:

- Static secure MAC addresses—These are manually configured by using the **switchport port-security mac-address** *mac-address* interface configuration command, stored in the address table, and added to the switch running configuration.
- Dynamic secure MAC addresses—These are dynamically configured, stored only in the address table, and removed when the switch restarts.

- *Sticky* secure MAC addresses—These can be dynamically learned or manually configured, stored in the address table, and added to the running configuration. If these addresses are saved in the configuration file, when the switch restarts, the interface does not need to dynamically reconfigure them.

You can configure an interface to convert the dynamic MAC addresses to sticky secure MAC addresses and to add them to the running configuration by enabling *sticky learning*. To enable sticky learning, enter the **switchport port-security mac-address sticky** interface configuration command. When you enter this command, the interface converts all the dynamic secure MAC addresses, including those that were dynamically learned before sticky learning was enabled, to sticky secure MAC addresses. All sticky secure MAC addresses are added to the running configuration.

The sticky secure MAC addresses do not automatically become part of the configuration file, which is the startup configuration used each time the switch restarts. If you save the sticky secure MAC addresses in the configuration file, when the switch restarts, the interface does not need to relearn these addresses. If you do not save the sticky secure addresses, they are lost.

If sticky learning is disabled, the sticky secure MAC addresses are converted to dynamic secure addresses and are removed from the running configuration.

The maximum number of secure MAC addresses that you can configure on a switch is set by the maximum number of available MAC addresses allowed in the system. This number is determined by the active Switch Database Management (SDM) template. See [Chapter 7, “Configuring SDM Templates.”](#) This number is the total of available MAC addresses, including those used for other Layer 2 functions and any other secure MAC addresses configured on interfaces.

## Security Violations

It is a security violation when one of these situations occurs:

- The maximum number of secure MAC addresses have been added to the address table, and a station whose MAC address is not in the address table attempts to access the interface.
- An address learned or configured on one secure interface is seen on another secure interface in the same VLAN.

You can configure the interface for one of three violation modes, based on the action to be taken if a violation occurs:

- *protect*—when the number of secure MAC addresses reaches the maximum limit allowed on the port, packets with unknown source addresses are dropped until you remove a sufficient number of secure MAC addresses to drop below the maximum value or increase the number of maximum allowable addresses. You are not notified that a security violation has occurred.



---

**Note** We do not recommend configuring the *protect* violation mode on a trunk port. The *protect* mode disables learning when any VLAN reaches its maximum limit, even if the port has not reached its maximum limit.

---

- *restrict*—when the number of secure MAC addresses reaches the maximum limit allowed on the port, packets with unknown source addresses are dropped until you remove a sufficient number of secure MAC addresses to drop below the maximum value or increase the number of maximum allowable addresses. In this mode, you are notified that a security violation has occurred. An SNMP trap is sent, a syslog message is logged, and the violation counter increments.

- **shutdown**—a port security violation causes the interface to become error-disabled and to shut down immediately, and the port LED turns off. When a secure port is in the error-disabled state, you can bring it out of this state by entering the **errdisable recovery cause psecure-violation** global configuration command, or you can manually re-enable it by entering the **shutdown** and **no shutdown** interface configuration commands. This is the default mode.

Table 23-1 shows the violation mode and the actions taken when you configure an interface for port security.

Table 23-1 Security Violation Mode Actions

Violation Mode	Traffic is forwarded <sup>1</sup>	Sends SNMP trap	Sends syslog message	Displays error message <sup>2</sup>	Violation counter increments	Shuts down port
protect	No	No	No	No	No	No
restrict	No	Yes	Yes	No	Yes	No
shutdown	No	No	No	No	Yes	Yes

1. Packets with unknown source addresses are dropped until you remove a sufficient number of secure MAC addresses.

2. The switch returns an error message if you manually configure an address that would cause a security violation.

## Default Port Security Configuration

Table 23-2 shows the default port security configuration for an interface.

Table 23-2 Default Port Security Configuration

Feature	Default Setting
Port security	Disabled on a port.
Sticky address learning	Disabled.
Maximum number of secure MAC addresses per port	1.
Violation mode	Shutdown. The port shuts down when the maximum number of secure MAC addresses is exceeded.
Port security aging	Disabled. Aging time is 0. Static aging is disabled. Type is absolute.

## Port Security Configuration Guidelines

- Port security can only be configured on static access ports or trunk ports. A secure port cannot be a dynamic access port.
- A secure port cannot be a destination port for Switched Port Analyzer (SPAN).
- A secure port cannot belong to a Fast EtherChannel or a Gigabit EtherChannel port group.
- A secure port cannot be a private-VLAN port.

- When a trunk port configured with port security and assigned to an access VLAN for data traffic and to a voice VLAN for voice traffic, entering the **switchport voice** and **switchport priority extend** interface configuration commands has no effect.

When a connected device uses the same MAC address to request an IP address for the access VLAN and then an IP address for the voice VLAN, only the access VLAN is assigned an IP address.

- When you enter a maximum secure address value for an interface, and the new value is greater than the previous value, the new value overwrites the previously configured value. If the new value is less than the previous value and the number of configured secure addresses on the interface exceeds the new value, the command is rejected.
- The switch does not support port security aging of sticky secure MAC addresses.

Table 23-3 summarizes port security compatibility with other port-based features.

**Table 23-3 Port Security Compatibility with Other Switch Features**

Type of Port or Feature on Port	Compatible with Port Security
Trunk port	Yes
Dynamic-access port (a VLAN Query Protocol [VQP] port configured with the switchport access vlan dynamic interface configuration command)	No
Routed port	No
SPAN source port	Yes
SPAN destination port	No
EtherChannel	No
Tunneling port	Yes
Protected port	Yes
802.1x port	Yes
Private VLAN port	No
IP source guard	Yes
Dynamic Address Resolution Protocol (ARP) inspection	Yes
Flex Links	Yes

## Enabling and Configuring Port Security

Beginning in privileged EXEC mode, follow these steps to restrict input to an interface by limiting and identifying MAC addresses of the stations allowed to access the port:

	Command	Purpose
Step 1	<b>configure terminal</b>	Enter global configuration mode.
Step 2	<b>interface</b> <i>interface-id</i>	Specify the interface to be configured, and enter interface configuration mode.
Step 3	<b>no shutdown</b>	Enable the port, if necessary. By default, UNIs and ENIs are disabled, and NNIs are enabled.

	Command	Purpose
Step 4	<b>switchport mode</b> { <b>access</b>   <b>trunk</b> }	Set the interface switchport mode as access or trunk; an interface in the default mode (dynamic auto) cannot be configured as a secure port.
Step 5	<b>switchport port-security</b>	Enable port security on the interface.
Step 6	<b>switchport port-security</b> [ <b>maximum</b> <i>value</i> [ <b>vlan</b> <i>vlan-list</i>   <b>access</b> ]	<p>(Optional) Set the maximum number of secure MAC addresses for the interface. The maximum number of secure MAC addresses that you can configure on a switch is set by the maximum number of available MAC addresses allowed in the system. This number is set by the active Switch Database Management (SDM) template. See <a href="#">Chapter 7, “Configuring SDM Templates.”</a> This number is the total of available MAC addresses, including those used for other Layer 2 functions and any other secure MAC addresses configured on interfaces.</p> <p>(Optional) <b>vlan</b>—set a per-VLAN maximum value.</p> <p>Enter one of these options after you enter the <b>vlan</b> keyword:</p> <ul style="list-style-type: none"> <li><b>vlan-list</b>—On a trunk port, you can set a per-VLAN maximum value on a range of VLANs separated by a hyphen or a series of VLANs separated by commas. For nonspecified VLANs, the per-VLAN maximum value is used.</li> <li><b>access</b>—On an access port, specify the VLAN as an access VLAN.</li> </ul>
Step 7	<b>switchport port-security violation</b> { <b>protect</b>   <b>restrict</b>   <b>shutdown</b> }	<p>(Optional) Set the violation mode, the action to be taken when a security violation is detected, as one of these:</p> <ul style="list-style-type: none"> <li><b>protect</b>—When the number of port secure MAC addresses reaches the maximum limit allowed on the port, packets with unknown source addresses are dropped until you remove a sufficient number of secure MAC addresses to drop below the maximum value or increase the number of maximum allowable addresses. You are not notified that a security violation has occurred.</li> </ul> <p><b>Note</b> We do not recommend configuring the protect mode on a trunk port. The protect mode disables learning when any VLAN reaches its maximum limit, even if the port has not reached its maximum limit.</p> <ul style="list-style-type: none"> <li><b>restrict</b>—When the number of secure MAC addresses reaches the limit allowed on the port, packets with unknown source addresses are dropped until you remove a sufficient number of secure MAC addresses or increase the number of maximum allowable addresses. An SNMP trap is sent, a syslog message is logged, and the violation counter increments.</li> <li><b>shutdown</b>—The interface is error-disabled when a violation occurs, and the port LED turns off. An SNMP trap is sent, a syslog message is logged, and the violation counter increments.</li> </ul> <p><b>Note</b> When a secure port is in the error-disabled state, you can bring it out of this state by entering the <b>errdisable recovery cause psecure-violation</b> global configuration command, or you can manually re-enable it by entering the <b>shutdown</b> and <b>no shutdown</b> interface configuration commands.</p>



	Command	Purpose
Step 8	<b>switchport port-security</b> [ <b>mac-address</b> <i>mac-address</i> [ <b>vlan</b> <i>{vlan-id} / {access}</i> ]]	(Optional) Enter a secure MAC address for the interface. You can use this command to enter the maximum number of secure MAC addresses. If you configure fewer secure MAC addresses than the maximum, the remaining MAC addresses are dynamically learned.  <b>Note</b> If you enable sticky learning after you enter this command, the secure addresses that were dynamically learned are converted to sticky secure MAC addresses and are added to the running configuration.  (Optional) <b>vlan</b> —set a per-VLAN maximum value. Enter one of these options after you enter the <b>vlan</b> keyword: <ul style="list-style-type: none"> <li><i>vlan-id</i>—On a trunk port, you can specify the VLAN ID and the MAC address. If you do not specify a VLAN ID, the native VLAN is used.</li> <li><b>access</b>—On an access port, specify the VLAN as an access VLAN.</li> </ul>
Step 9	<b>switchport port-security mac-address sticky</b>	(Optional) Enable sticky learning on the interface.
Step 10	<b>switchport port-security mac-address sticky</b> [ <i>mac-address</i>   <b>vlan</b> <i>{vlan-id} / {access}</i> ]	(Optional) Enter a sticky secure MAC address, repeating the command as many times as necessary. If you configure fewer secure MAC addresses than the maximum, the remaining MAC addresses are dynamically learned, are converted to sticky secure MAC addresses, and are added to the running configuration.  <b>Note</b> If you do not enable sticky learning before this command is entered, an error message appears, and you cannot enter a sticky secure MAC address.  (Optional) <b>vlan</b> —set a per-VLAN maximum value. Enter one of these options after you enter the <b>vlan</b> keyword: <ul style="list-style-type: none"> <li><i>vlan-id</i>—On a trunk port, you can specify the VLAN ID and the MAC address. If you do not specify a VLAN ID, the native VLAN is used.</li> <li><b>access</b>—On an access port, specify the VLAN as an access VLAN.</li> </ul>
Step 11	<b>end</b>	Return to privileged EXEC mode.
Step 12	<b>show port-security</b>	Verify your entries.
Step 13	<b>copy running-config startup-config</b>	(Optional) Save your entries in the configuration file.

To return the interface to the default condition as not a secure port, use the **no switchport port-security** interface configuration command. If you enter this command when sticky learning is enabled, the sticky secure addresses remain part of the running configuration but are removed from the address table. All addresses are now dynamically learned.

To return the interface to the default number of secure MAC addresses, use the **no switchport port-security maximum value** interface configuration command. To return the violation mode to the default condition (shutdown mode), use the **no switchport port-security violation {protocol | restrict}** interface configuration command.

To disable sticky learning on an interface, use the **no switchport port-security mac-address sticky** interface configuration command. The interface converts the sticky secure MAC addresses to dynamic secure addresses. However, if you have previously saved the configuration with the sticky MAC addresses, you should save the configuration again after entering the **no switchport port-security mac-address sticky** command, or the sticky addresses will be restored if the switch reboots.

Use the **clear port-security {all | configured | dynamic | sticky}** privileged EXEC command to delete from the MAC address table all secure addresses or all secure addresses of a specific type (configured, dynamic, or sticky) on the switch or on an interface.

To delete a specific secure MAC address from the address table, use the **no switchport port-security mac-address mac-address** interface configuration command.

To delete all dynamic secure addresses on an interface from the address table, enter the **no switchport port-security** interface configuration command followed by the **switchport port-security** command (to re-enable port security on the interface). If you use the **no switchport port-security mac-address sticky** interface configuration command to convert sticky secure MAC addresses to dynamic secure MAC addresses before entering the **no switchport port-security** command, all secure addresses on the interface except those that were manually configured are deleted.

You must specifically delete configured secure MAC addresses from the address table by using the **no switchport port-security mac-address mac-address** interface configuration command.

This example shows how to enable port security on a port and to set the maximum number of secure addresses to 50. The violation mode is the default, no static secure MAC addresses are configured, and sticky learning is enabled.

```
Switch(config)# interface gigabitethernet0/1
Switch(config-if)# switchport mode access
Switch(config-if)# switchport port-security
Switch(config-if)# switchport port-security maximum 50
Switch(config-if)# switchport port-security mac-address sticky
```

This example shows how to configure a static secure MAC address on VLAN 3 on a port:

```
Switch(config)# interface gigabitethernet0/2
Switch(config-if)# switchport mode trunk
Switch(config-if)# switchport port-security
Switch(config-if)# switchport port-security mac-address 0000.02000.0004 vlan 3
```

This example shows how to enable sticky port security on a port, to manually configure MAC addresses for data VLAN, and to set the total maximum number of secure addresses to 10.

```
Switch(config)# interface FastEthernet0/1
Switch(config-if)# no shutdown
Switch(config-if)# switchport access vlan 21
Switch(config-if)# switchport mode access
Switch(config-if)# switchport port-security
Switch(config-if)# switchport port-security maximum 10
Switch(config-if)# switchport port-security violation restrict
Switch(config-if)# switchport port-security mac-address sticky
Switch(config-if)# switchport port-security mac-address sticky 0000.0000.0002
Switch(config-if)# switchport port-security mac-address 0000.0000.0003
Switch(config-if)# switchport port-security maximum 10 vlan access
```

## Enabling and Configuring Port Security Aging

You can use port security aging to set the aging time for all secure addresses on a port. Two types of aging are supported per port:

- **Absolute**—The secure addresses on the port are deleted after the specified aging time.
- **Inactivity**—The secure addresses on the port are deleted only if the secure addresses are inactive for the specified aging time.

Use this feature to remove and add devices on a secure port without manually deleting the existing secure MAC addresses and to still limit the number of secure addresses on a port. You can enable or disable the aging of secure addresses on a per-port basis.

Beginning in privileged EXEC mode, follow these steps to configure port security aging:

	Command	Purpose
Step 1	<b>configure terminal</b>	Enter global configuration mode.
Step 2	<b>interface</b> <i>interface-id</i>	Specify the interface to be configured, and enter interface configuration mode.
Step 3	<b>no shutdown</b>	Enable the port, if necessary. By default, UNIs and ENIs are disabled, and NNIs are enabled.
Step 4	<b>switchport port-security aging</b> { <b>static</b>   <b>time</b> <i>time</i>   <b>type</b> { <b>absolute</b>   <b>inactivity</b> }}	<p>Enable or disable static aging for the secure port, or set the aging time or type.</p> <p><b>Note</b> The switch does not support port security aging of sticky secure addresses.</p> <p>Enter <b>static</b> to enable aging for statically configured secure addresses on this port.</p> <p>For <i>time</i>, specify the aging time for this port. The valid range is from 0 to 1440 minutes.</p> <p>For <b>type</b>, select one of these keywords:</p> <ul style="list-style-type: none"> <li>• <b>absolute</b>—Sets the aging type as absolute aging. All the secure addresses on this port age out exactly after the time (minutes) specified lapses and are removed from the secure address list.</li> <li>• <b>inactivity</b>—Sets the aging type as inactivity aging. The secure addresses on this port age out only if there is no data traffic from the secure source addresses for the specified time period.</li> </ul>
Step 5	<b>end</b>	Return to privileged EXEC mode.
Step 6	<b>show port-security</b> [ <b>interface</b> <i>interface-id</i> ] [ <b>address</b> ]	Verify your entries.
Step 7	<b>copy running-config startup-config</b>	(Optional) Save your entries in the configuration file.

To disable port security aging for all secure addresses on a port, use the **no switchport port-security aging time** interface configuration command. To disable aging for only statically configured secure addresses, use the **no switchport port-security aging static** interface configuration command.

This example shows how to set the aging time as 2 hours for the secure addresses on a port:

```
Switch(config)# interface gigabitethernet0/1
Switch(config-if)# switchport port-security aging time 120
```

This example shows how to set the aging time as 2 minutes for the inactivity aging type with aging enabled for the configured secure addresses on the interface:

```
Switch(config-if)# switchport port-security aging time 2
Switch(config-if)# switchport port-security aging type inactivity
Switch(config-if)# switchport port-security aging static
```

You can verify the previous commands by entering the **show port-security interface interface-id** privileged EXEC command.

## Port Security and Private VLANs

Port security allows an administrator to limit the number of MAC addresses learned on a port or to define which MAC addresses can be learned on a port.

Beginning in privileged EXEC mode, follow these steps to configure port security on a PVLAN host and promiscuous ports:

	Command	Purpose
Step 1	<b>configure terminal</b>	Enter global configuration mode.
Step 2	<b>interface interface-id</b>	Specify the interface to be configured, and enter interface configuration mode.
Step 3	<b>switchport mode private-vlan {host   promiscuous}</b>	Enable a private vlan on the interface.
Step 4	<b>switchport port-security</b>	Enable port security on the interface.
Step 5	<b>end</b>	Return to privileged EXEC mode.
Step 6	<b>show port-security [interface interface-id] [address]</b>	Verify your entries.
Step 7	<b>copy running-config startup-config</b>	(Optional) Save your entries in the configuration file.

```
Switch(config)# interface GigabitEthernet0/8
Switch(config-if)# switchport private-vlan mapping 2061 2201-2206,3101
Switch(config-if)# switchport mode private-vlan promiscuous
Switch(config-if)# switchport port-security maximum 288
Switch(config-if)# switchport port-security
Switch(config-if)# switchport port-security violation restrict
```



### Note

Ports that have both port security and private VLANs configured can be labeled secure PVLAN ports. When a secure address is learned on a secure PVLAN port, the same secure address cannot be learned on another secure PVLAN port belonging to the same primary VLAN. However, an address learned on an unsecure PVLAN port can be learned on a secure PVLAN port belonging to same primary VLAN.

Secure addresses that are learned on host port get automatically replicated on associated primary VLANs, and similarly, secure addresses learned on promiscuous ports automatically get replicated on all associated secondary VLANs. Static addresses (using `mac-address-table static` command) cannot be user configured on a secure port.

## Displaying Port-Based Traffic Control Settings

The **show interfaces *interface-id* switchport** privileged EXEC command displays (among other characteristics) the interface traffic suppression and control configuration. The **show storm-control** and **show port-security** privileged EXEC commands display those storm control and port security settings.

To display traffic control information, use one or more of the privileged EXEC commands in [Table 23-4](#).

**Table 23-4** Commands for Displaying Traffic Control Status and Configuration

Command	Purpose
<b>show interfaces</b> [ <i>interface-id</i> ] <b>switchport</b>	Displays the administrative and operational status of all switching (nonrouting) ports or the specified port, including port blocking and port protection settings.
<b>show storm-control</b> [ <i>interface-id</i> ] [ <b>broadcast</b>   <b>multicast</b>   <b>unicast</b> ]	Displays storm control suppression levels set on all interfaces or the specified interface for the specified traffic type or for broadcast traffic if no traffic type is entered.
<b>show port-security</b> [ <b>interface</b> <i>interface-id</i> ]	Displays port security settings for the switch or for the specified interface, including the maximum allowed number of secure MAC addresses for each interface, the number of secure MAC addresses on the interface, the number of security violations that have occurred, and the violation mode.
<b>show port-security</b> [ <b>interface</b> <i>interface-id</i> ] <b>address</b>	Displays all secure MAC addresses configured on all switch interfaces or on a specified interface with aging information for each address.
<b>show port-security interface</b> <i>interface-id</i> <b>vlan</b>	Displays the number of secure MAC addresses configured per VLAN on the specified interface.





# CHAPTER 24

## Configuring CDP

---

This chapter describes how to configure Cisco Discovery Protocol (CDP) on the Cisco ME 3400E Ethernet Access switch.



**Note**

For complete syntax and usage information for the commands used in this chapter, see the command reference for this release and the “System Management Commands” section in the *Cisco IOS Configuration Fundamentals Command Reference, Release 12.2*.

---

- [Understanding CDP, page 24-1](#)
- [Configuring CDP, page 24-2](#)
- [Monitoring and Maintaining CDP, page 24-5](#)

## Understanding CDP

CDP is a device discovery protocol that runs over Layer 2 (the data link layer) on all Cisco-manufactured devices (routers, bridges, access servers, and switches) and allows network management applications to discover Cisco devices that are neighbors of already known devices. With CDP, network management applications can learn the device type and the Simple Network Management Protocol (SNMP) agent address of neighboring devices running lower-layer, transparent protocols. This feature enables applications to send SNMP queries to neighboring devices.

CDP runs on all media that support Subnetwork Access Protocol (SNAP). Because CDP runs over the data-link layer only, two systems that support different network-layer protocols can learn about each other.



**Note**

On the Cisco ME switch, CDP is enabled by default on network node interfaces (NNIs) and disabled by default on enhanced network interfaces (ENIs). It is not supported on user network interfaces (UNIs).

---

Each CDP-configured device sends periodic messages to a multicast address, advertising at least one address at which it can receive SNMP messages. The advertisements also contain time-to-live, or holdtime information, which is the length of time a receiving device holds CDP information before discarding it. Each device also listens to the messages sent by other devices to learn about neighboring devices.

For a switch and connected endpoint devices running Cisco Medianet

- CDP identifies connected endpoints that communicate directly with the switch.
- To prevent duplicate reports of neighboring devices, only one wired switch reports the location information.
- The wired switch and the endpoints both send and receive location information.

For information, go to

[http://www.cisco.com/en/US/docs/ios/netmgmt/configuration/guide/nm\\_cdp\\_discover.html](http://www.cisco.com/en/US/docs/ios/netmgmt/configuration/guide/nm_cdp_discover.html).

The switch supports CDP Version 2.

## Configuring CDP

- [Default CDP Configuration, page 24-2](#)
- [Configuring the CDP Characteristics, page 24-2](#)
- [Disabling and Enabling CDP, page 24-3](#)
- [Disabling and Enabling CDP on an Interface, page 24-4](#)

## Default CDP Configuration

Table 24-1 shows the default CDP configuration.

**Table 24-1** Default CDP Configuration

Feature	Default Setting
CDP global state	Enabled.
CDP interface state	Enabled only on NNIs; disabled on ENIs <b>Note</b> CDP is not supported on UNIs.
CDP timer (packet update frequency)	60 seconds
CDP holdtime (before discarding)	180 seconds
CDP Version-2 advertisements	Enabled

## Configuring the CDP Characteristics

You can configure the frequency of CDP updates, the amount of time to hold the information before discarding it, and whether or not to send Version-2 advertisements.

Beginning in privileged EXEC mode, follow these steps to configure the CDP timer, holdtime, and advertisement type.



**Note**

Steps 2 through 4 are all optional and can be performed in any order.



	Command	Purpose
Step 1	<b>configure terminal</b>	Enter global configuration mode.
Step 2	<b>cdp timer <i>seconds</i></b>	(Optional) Set the transmission frequency of CDP updates in seconds. The range is 5 to 254; the default is 60 seconds.
Step 3	<b>cdp holdtime <i>seconds</i></b>	(Optional) Specify the amount of time a receiving device should hold the information sent by your device before discarding it. The range is 10 to 255 seconds; the default is 180 seconds.
Step 4	<b>cdp advertise-v2</b>	(Optional) Configure CDP to send Version-2 advertisements. This is the default state.
Step 5	<b>end</b>	Return to privileged EXEC mode.
Step 6	<b>show cdp</b>	Verify your settings.
Step 7	<b>copy running-config startup-config</b>	(Optional) Save your entries in the configuration file.

Use the **no** form of the CDP commands to return to the default settings.

This example shows how to configure CDP characteristics.

```
Switch# configure terminal
Switch(config)# cdp timer 50
Switch(config)# cdp holdtime 120
Switch(config)# cdp advertise-v2
Switch(config)# end
```

For additional CDP **show** commands, see the [“Monitoring and Maintaining CDP”](#) section on page 24-5.

## Disabling and Enabling CDP

CDP is enabled by default on NNIs. It is disabled by default on ENIs but can be enabled.



### Note

Cisco devices (such as Cisco IP Phones) regularly exchange CDP messages with connected devices. Disabling CDP can interrupt device connectivity.

Beginning in privileged EXEC mode, follow these steps to globally disable the CDP device discovery capability:

	Command	Purpose
Step 1	<b>configure terminal</b>	Enter global configuration mode.
Step 2	<b>no cdp run</b>	Disable CDP.
Step 3	<b>end</b>	Return to privileged EXEC mode.

Beginning in privileged EXEC mode, follow these steps to globally enable CDP when it has been disabled:

	Command	Purpose
Step 1	<b>configure terminal</b>	Enter global configuration mode.
Step 2	<b>cdp run</b>	Enable CDP after disabling it.
Step 3	<b>end</b>	Return to privileged EXEC mode.

This example shows how to globally enable CDP if it has been disabled.

```
Switch# configure terminal
Switch(config)# cdp run
Switch(config)# end
```

## Disabling and Enabling CDP on an Interface

CDP is enabled by default on NNIs to send and to receive CDP information. You can enable CDP on ENIs, but it is not supported on UNIs. Beginning in privileged EXEC mode, follow these steps to disable CDP on a port:

	Command	Purpose
Step 1	<b>configure terminal</b>	Enter global configuration mode.
Step 2	<b>interface</b> <i>interface-id</i>	Specify the interface on which you are disabling CDP, and enter interface configuration mode.  <b>Note</b> If the interface is a UNI, you must enter the <b>port-type nni</b> or <b>port-type eni</b> interface configuration command before configuring CDP. By default, CDP is enabled on NNIs and disabled on ENIs.
Step 3	<b>no cdp enable</b>	Disable CDP on the interface.
Step 4	<b>end</b>	Return to privileged EXEC mode.
Step 5	<b>copy running-config startup-config</b>	(Optional) Save your entries in the configuration file.

Beginning in privileged EXEC mode, follow these steps to enable CDP on a port when it has been disabled:

	Command	Purpose
Step 1	<b>configure terminal</b>	Enter global configuration mode.
Step 2	<b>interface</b> <i>interface-id</i>	Specify the interface on which you are enabling CDP, and enter interface configuration mode.  <b>Note</b> If the interface is a UNI, you must enter the <b>port-type nni</b> or <b>port-type eni</b> interface configuration command before configuring CDP. By default, CDP is enabled on NNIs and disabled on ENIs.
Step 3	<b>cdp enable</b>	Enable CDP on the interface after disabling it.
Step 4	<b>end</b>	Return to privileged EXEC mode.
Step 5	<b>copy running-config startup-config</b>	(Optional) Save your entries in the configuration file.

This example shows how to enable CDP on a port when it has been disabled.

```
Switch# configure terminal
Switch(config)# interface gigabitethernet0/1
Switch(config-if)# cdp enable
Switch(config-if)# end
```

This example shows how to change a UNI to an ENI and enable CDP on the port.

```
Switch# configure terminal
Switch(config)# interface fastethernet0/1
Switch(config-if)# port-type eni
Switch(config-if)# cdp enable
Switch(config-if)# end
```

## Monitoring and Maintaining CDP

To monitor and maintain CDP on your device, perform one or more of these tasks, beginning in privileged EXEC mode.

Command	Description
<b>clear cdp counters</b>	Reset the traffic counters to zero.
<b>clear cdp table</b>	Delete the CDP table of information about neighbors.
<b>show cdp</b>	Display global information, such as frequency of transmissions and the holdtime for packets being sent.
<b>show cdp entry</b> <i>entry-name</i> <b>[protocol   version]</b>	Display information about a specific neighbor.  You can enter an asterisk (*) to display all CDP neighbors, or you can enter the name of the neighbor about which you want information.  You can also limit the display to information about the protocols enabled on the specified neighbor or information about the version of software running on the device.
<b>show cdp interface</b> [ <i>interface-id</i> ]	Display information about interfaces where CDP is enabled.  You can limit the display to the interface about which you want information.
<b>show cdp neighbors</b> [ <i>interface-id</i> ] <b>[detail]</b>	Display information about neighbors, including device type, interface type and number, holdtime settings, capabilities, platform, and port ID.  You can limit the display to neighbors of a specific interface or expand the display to provide more detailed information.
<b>show cdp traffic</b>	Display CDP counters, including the number of packets sent and received and checksum errors.





## Configuring LLDP and LLDP-MED

---

This chapter describes how to configure the Link Layer Discovery Protocol (LLDP) and LLDP Media Endpoint Discovery (LLDP-MED) on the Cisco ME 3400E switch.

**Note**

For complete syntax and usage information for the commands used in this chapter, see the command reference for this release and the “System Management Commands” section in the *Cisco IOS Configuration Fundamentals Command Reference, Release 12.2*.

---

This chapter consists of these sections:

- [Understanding LLDP and LLDP-MED, page 25-1](#)
- [Configuring LLDP and LLDP-MED, page 25-3](#)
- [Monitoring and Maintaining LLDP and LLDP-MED, page 25-8](#)

## Understanding LLDP and LLDP-MED

- [Understanding LLDP, page 25-1](#)
- [Understanding LLDP-MED, page 25-2](#)

### Understanding LLDP

The Cisco Discovery Protocol (CDP) is a device discovery protocol that runs over Layer 2 (the data link layer) on all Cisco-manufactured devices (routers, bridges, access servers, and switches). CDP allows network management applications to automatically discover and learn about other Cisco devices connected to the network.

To support non-Cisco devices and to allow for interoperability between other devices, the switch supports the IEEE 802.1AB Link Layer Discovery Protocol (LLDP). LLDP is a neighbor discovery protocol that is used for network devices to advertise information about themselves to other devices on the network. This protocol runs over the data-link layer, which allows two systems running different network layer protocols to learn about each other.

LLDP supports a set of attributes that it uses to discover neighbor devices. These attributes contain type, length, and value descriptions and are referred to as TLVs. LLDP supported devices can use TLVs to receive and send information to their neighbors. Details such as configuration information, device capabilities, and device identity can be advertised using this protocol.

LLDP is enabled by default on network node interfaces (NNIs). It is disabled on enhanced network interfaces (ENIs), but you can enable it. LLDP is not supported on user network interfaces (UNIs).

The switch supports these basic management TLVs. These are mandatory LLDP TLVs.

- Port description TLV
- System name TLV
- System description
- System capabilities TLV
- Management address TLV

These organizationally specific LLDP TLVs are also advertised to support LLDP-MED.

- Port VLAN ID TLV ((IEEE 802.1 organizationally specific TLVs)
- MAC/PHY configuration/status TLV(IEEE 802.3 organizationally specific TLVs)

## Understanding LLDP-MED

LLDP for Media Endpoint Devices (LLDP-MED) is an extension to LLDP that operates between endpoint devices such as IP phones and network devices such as switches. It specifically provides support for voice over IP (VoIP) applications and provides additional TLVs for capabilities discovery, network policy, Power over Ethernet, and inventory management.

LLDP-MED supports these TLVs:

- LLDP-MED capabilities TLV  
Allows LLDP-MED endpoints to determine the capabilities that the connected device supports and what capabilities the device has enabled.
- Network policy TLV  
Allows both network connectivity devices and endpoints to advertise VLAN configurations and associated Layer 2 and Layer 3 attributes for the specific application on that port. For example, the switch can notify a phone of the VLAN number that it should use. The phone can connect into any switch, obtain its VLAN number, and then start communicating with the call control
- Power management TLV  
Enables advanced power management between LLDP-MED endpoint and network connectivity devices. Allows switches and phones to convey power information, such as how the device is powered, power priority, and how much power the device needs.
- Inventory management TLV  
Allows an endpoint to transmit detailed inventory information about itself to the switch, including information hardware revision, firmware version, software version, serial number, manufacturer name, model name, and asset ID TLV.

- Location TLV

Provides location information from the switch to the endpoint device. The location TLV can send this information:

- Civic location information

Provides the civic address information and postal information. Examples of civic location information are street address, road name, and postal community name information.

- ELIN location information

Provides the location information of a caller. The location is determined by the Emergency location identifier number (ELIN), which is a phone number that routes an emergency call to the local public safety answering point (PSAP) and which the PSAP can use to call back the emergency caller.

## Configuring LLDP and LLDP-MED

- [Default LLDP Configuration, page 25-3](#)
- [Configuring LLDP Characteristics, page 25-4](#)
- [Disabling and Enabling LLDP Globally, page 25-5](#)
- [Disabling and Enabling LLDP on an Interface, page 25-5](#)
- [Configuring LLDP-MED TLVs, page 25-6](#)

## Default LLDP Configuration

[Table 25-1](#) shows the default LLDP configuration. To change the default settings, use the LLDP global configuration and LLDP interface configuration commands.

**Table 25-1**      *Default LLDP Configuration*

Feature	Default Setting
LLDP global state	Disabled
LLDP holdtime (before discarding)	120 seconds
LLDP timer (packet update frequency)	30 seconds
LLDP reinitialization delay	2 seconds
LLDP tlv-select	Disabled to send and receive all TLVs.
LLDP interface state	Disabled
LLDP receive	Enabled on network node interfaces (NNIs) Disabled on enhanced network interfaces (ENIs) Not supported on user network interfaces (UNIs)
LLDP transmit	Enabled on NNIs Disabled on ENIs Not supported on UNIs
LLDP med-tnv-select	Disabled to send all LLDP-MED TLVs

## Configuring LLDP Characteristics

You can configure the frequency of LLDP updates, the amount of time to hold the information before discarding it, and the initialization delay time. You can also select the LLDP and LLDP-MED TLVs to be sent and received.

Beginning in privileged EXEC mode, follow these steps to configure these characteristics:



**Note** Steps 2 through 5 are all optional and can be performed in any order.

	Command	Purpose
Step 1	<b>configure terminal</b>	Enter global configuration mode.
Step 2	<b>lldp holdtime</b> <i>seconds</i>	(Optional) Specify the amount of time a receiving device should hold the information sent by your device before discarding it. The range is 0 to 65535 seconds; the default is 120 seconds.
Step 3	<b>lldp reinit</b>	(Optional) Specify the delay time in seconds for LLDP to initialize on any interface. The range is 2 to 5 seconds; the default is 2 seconds.
Step 4	<b>lldp timer</b> <i>seconds</i>	(Optional) Set the transmission frequency of LLDP updates in seconds. The range is 5 to 65534 seconds; the default is 30 seconds.
Step 5ll	<b>lldp tlv-select</b>	(Optional) Specify the LLDP TLVs to send or receive.
Step 6	<b>interface</b> <i>interface-id</i>	Specify the interface on which you are enabling LLDP, and enter interface configuration mode.
Step 7	<b>lldp med-tlv-select</b>	(Optional) Specify the LLDP-MED TLVs to send or receive.
Step 8	<b>copy running-config startup-config</b>	(Optional) Save your entries in the configuration file.

Use the **no** form of each of the LLDP commands to return to the default setting.

This example shows how to configure LLDP characteristics.

```
Switch# configure terminal
Switch(config)# lldp holdtime 120
Switch(config)# lldp reinit 2
Switch(config)# lldp timer 30
Switch(config)# end
```

For additional LLDP **show** commands, see the [“Monitoring and Maintaining LLDP and LLDP-MED”](#) section on page 25-8.



## Disabling and Enabling LLDP Globally

LLDP is disabled globally by default and is enabled on NNIs. It is disabled by default on ENIs, but can be enabled per interface. LLDP is not supported on UNIs.

Beginning in privileged EXEC mode, follow these steps to globally disable LLDP:

	Command	Purpose
Step 1	<b>configure terminal</b>	Enter global configuration mode.
Step 2	<b>no lldp run</b>	Disable LLDP.
Step 3	<b>end</b>	Return to privileged EXEC mode.

Beginning in privileged EXEC mode, follow these steps to enable LLDP-MED when it has been disabled:

	Command	Purpose
Step 1	<b>configure terminal</b>	Enter global configuration mode.
Step 2	<b>lldp run</b>	Enable LLDP.
Step 3	<b>end</b>	Return to privileged EXEC mode.

This example shows how to globally disable LLDP.

```
Switch# configure terminal
Switch(config)# no lldp run
Switch(config)# end
```

This example shows how to globally enable LLDP.

```
Switch# configure terminal
Switch(config)# lldp run
Switch(config)# end
```

## Disabling and Enabling LLDP on an Interface

LLDP is disabled by default on all NNIs to send and to receive LLDP information. It is disabled by default on ENIs, but it can be enabled by entering the **lldp transmit** and **lldp receive** interface configuration commands. LLDP is not supported on UNIs.



**Note** If the interface is configured as a tunnel port, LLDP is automatically disabled.

Beginning in privileged EXEC mode, follow these steps to disable LLDP on an interface.

	Command	Purpose
Step 1	<b>configure terminal</b>	Enter global configuration mode.
Step 2	<b>interface interface-id</b>	Specify the interface on which you are disabling LLDP, and enter interface configuration mode. The interface must be an NNI or ENI for the <b>lldp</b> commands to be available.

	Command	Purpose
Step 3	<b>no lldp transmit</b>	No LLDP packets are sent on the interface.
Step 4	<b>no lldp receive</b>	No LLDP packets are received on the interface.
Step 5	<b>end</b>	Return to privileged EXEC mode.
Step 6	<b>copy running-config startup-config</b>	(Optional) Save your entries in the configuration file.

Beginning in privileged EXEC mode, follow these steps to enable LLDP on an interface when it has been disabled:

	Command	Purpose
Step 1	<b>configure terminal</b>	Enter global configuration mode.
Step 2	<b>interface <i>interface-id</i></b>	Specify the interface on which you are enabling LLDP, and enter interface configuration mode. LLDP is supported only on NNIs and ENIs. It is not supported on UNIs. If necessary, use the <b>port-type {eni   nni}</b> interface configuration command to change the port type.
Step 3	<b>no shutdown</b>	If necessary, enable the port. By default NNIs are enabled, and ENIs and UNIs are disabled.
Step 4	<b>lldp transmit</b>	LLDP packets are sent on the interface.
Step 5	<b>lldp receive</b>	LLDP packets are received on the interface.
Step 6	<b>end</b>	Return to privileged EXEC mode.
Step 7	<b>copy running-config startup-config</b>	(Optional) Save your entries in the configuration file.

This example shows how to enable LLDP on an interface.

```
Switch# configure terminal
Switch(config)# interface GigabitEthernet1/0/1
Switch(config-if)# no shutdown
Switch(config-if)# port-type nni
Switch(config-if)# lldp transmit
Switch(config-if)# lldp receive
Switch(config-if)# end
```

## Configuring LLDP-MED TLVs

By default, the switch only sends LLDP packets until it receives LLDP-MED packets from the end device. It will then send LLDP packets with MED TLVs as well. When the LLDP-MED entry has been aged out, it only sends LLDP packets again.

Using the **lldp** interface configuration command, you can configure the interface not to send the TLVs listed in [Table 25-2](#).

**Table 25-2** LLDP-MED TLVs

LLDP-MED TLV	Description
inventory-management	LLDP-MED inventory management TLV
location	LLDP-MED location TLV

Table 25-2 LLDP-MED TLVs (continued)

LLDP-MED TLV	Description
network-policy	LLDP-MED network policy TLV
power-management	LLDP-MED power management TLV

Beginning in privileged EXEC mode, follow these steps to disable a TLV on an interface:

	Command	Purpose
Step 1	<b>configure terminal</b>	Enter global configuration mode.
Step 2	<b>interface</b> <i>interface-id</i>	Specify the interface on which you are configuring a LLDP-MED TLV, and enter interface configuration mode.
Step 3	<b>no lldp med-tlv-select</b> <i>tlv</i>	Specify the TLV to disable.
Step 4	<b>end</b>	Return to privileged EXEC mode.
Step 5	<b>copy running-config startup-config</b>	(Optional) Save your entries in the configuration file.

Beginning in privileged EXEC mode, follow these steps to enable a TLV on an interface:

	Command	Purpose
Step 1	<b>configure terminal</b>	Enter global configuration mode.
Step 2	<b>interface</b> <i>interface-id</i>	Specify the interface on which you are configuring an LLDP-MED TLV, and enter interface configuration mode.
Step 3	<b>lldp med-tlv-select</b> <i>tlv</i>	Specify the TLV to enable.
Step 4	<b>end</b>	Return to privileged EXEC mode.
Step 5	<b>copy running-config startup-config</b>	(Optional) Save your entries in the configuration file.

This example shows how to enable a TLV on an interface when it has been disabled.

```
Switch# configure terminal
Switch(config)# interface GigabitEthernet1/0/1
Switch(config-if)# lldp med-tlv-select inventory-management
Switch(config-if)# end
```

# Monitoring and Maintaining LLDP and LLDP-MED

To monitor and maintain LLDP and LLDP-MED on your device, perform one or more of these tasks, beginning in privileged EXEC mode.

Command	Description
<b>clear lldp counters</b>	Reset the traffic counters to zero.
<b>clear lldp table</b>	Delete the LLDP table of information about neighbors.
<b>show lldp</b>	Display global information, such as frequency of transmissions, the holdtime for packets being sent, and the delay time for LLDP to initialize on an interface.
<b>show lldp entry</b> <i>entry-name</i>	Display information about a specific neighbor. You can enter an asterisk (*) to display all neighbors, or you can enter the name of the neighbor about which you want information.
<b>show lldp interface</b> [ <i>interface-id</i> ]	Display information about interfaces where LLDP is enabled. You can limit the display to the interface about which you want information.
<b>show lldp neighbors</b> [ <i>interface-id</i> ] [ <b>detail</b> ]	Display information about neighbors, including device type, interface type and number, holdtime settings, capabilities, and port ID. You can limit the display to neighbors of a specific interface or expand the display to provide more detailed information.
<b>show lldp traffic</b>	Display LLDP counters, including the number of packets sent and received, number of packets discarded, and number of unrecognized TLVs.



## Configuring UDLD

---

This chapter describes how to configure the UniDirectional Link Detection (UDLD) protocol on the Cisco ME 3400E Ethernet Access switch.



Note

For complete syntax and usage information for the commands used in this chapter, see the command reference for this release.

---

- [Understanding UDLD, page 26-1](#)
- [Configuring UDLD, page 26-3](#)
- [Displaying UDLD Status, page 26-6](#)

## Understanding UDLD

UDLD is a Layer 2 protocol that enables devices connected through fiber-optic or twisted-pair Ethernet cables to monitor the physical configuration of the cables and detect when a unidirectional link exists. All connected devices must support UDLD for the protocol to successfully identify and disable unidirectional links. When UDLD detects a unidirectional link, it disables the affected port and alerts you. Unidirectional links can cause a variety of problems, including spanning-tree topology loops.

## Modes of Operation

UDLD supports two modes of operation: normal (the default) and aggressive. In normal mode, UDLD can detect unidirectional links due to misconnected ports on fiber-optic connections. In aggressive mode, UDLD can also detect unidirectional links due to one-way traffic on fiber-optic and twisted-pair links and to misconnected ports on fiber-optic links.

In normal and aggressive modes, UDLD works with the Layer 1 mechanisms to learn the physical status of a link. At Layer 1, autonegotiation takes care of physical signaling and fault detection. UDLD performs tasks that autonegotiation cannot perform, such as detecting the identities of neighbors and shutting down misconnected ports. When you enable both autonegotiation and UDLD, the Layer 1 and Layer 2 detections work together to prevent physical and logical unidirectional connections and the malfunctioning of other protocols.

A unidirectional link occurs whenever traffic sent by a local device is received by its neighbor but traffic from the neighbor is not received by the local device.

In normal mode, UDLD detects a unidirectional link when fiber strands in a fiber-optic port are misconnected and the Layer 1 mechanisms do not detect this misconnection. If the ports are connected correctly but the traffic is one way, UDLD does not detect the unidirectional link because the Layer 1 mechanism, which is supposed to detect this condition, does not do so. In this case, the logical link is considered undetermined, and UDLD does not disable the port.

When UDLD is in normal mode, if one of the fiber strands in a pair is disconnected, as long as autonegotiation is active, the link does not stay up because the Layer 1 mechanisms detects a physical problem with the link. In this case, UDLD does not take any action and the logical link is considered undetermined.

In aggressive mode, UDLD detects a unidirectional link by using the previous detection methods. UDLD in aggressive mode can also detect a unidirectional link on a point-to-point link on which no failure between the two devices is allowed. It can also detect a unidirectional link when one of these problems exists:

- On fiber-optic or twisted-pair links, one of the ports cannot send or receive traffic.
- On fiber-optic or twisted-pair links, one of the ports is down while the other is up.
- One of the fiber strands in the cable is disconnected.

In these cases, UDLD disables the affected port.

In a point-to-point link, UDLD hello packets can be considered as a heart beat whose presence guarantees the health of the link. Conversely, the loss of the heart beat means that the link must be shut down if it is not possible to re-establish a bidirectional link.

If both fiber strands in a cable are working normally from a Layer 1 perspective, UDLD in aggressive mode detects whether those fiber strands are connected correctly and whether traffic is flowing bidirectionally between the correct neighbors. This check cannot be performed by autonegotiation because autonegotiation operates at Layer 1.

## Methods to Detect Unidirectional Links

UDLD operates by using two mechanisms:

- Neighbor database maintenance

UDLD learns about other UDLD-capable neighbors by periodically sending a hello packet (also called an advertisement or probe) on every active port to keep each device informed about its neighbors.

When the switch receives a hello message, it caches the information until the age time (hold time or time-to-live) expires. If the switch receives a new hello message before an older cache entry ages, the switch replaces the older entry with the new one.

Whenever a port is disabled and UDLD is running, whenever UDLD is disabled on a port, or whenever the switch is reset, UDLD clears all existing cache entries for the ports affected by the configuration change. UDLD sends at least one message to inform the neighbors to flush the part of their caches affected by the status change. The message is intended to keep the caches synchronized.

- Event-driven detection and echoing

UDLD relies on echoing as its detection mechanism. Whenever a UDLD device learns about a new neighbor or receives a resynchronization request from an out-of-sync neighbor, it restarts the detection window on its side of the connection and sends echo messages in reply. Because this behavior is the same on all UDLD neighbors, the sender of the echoes expects to receive an echo in reply.

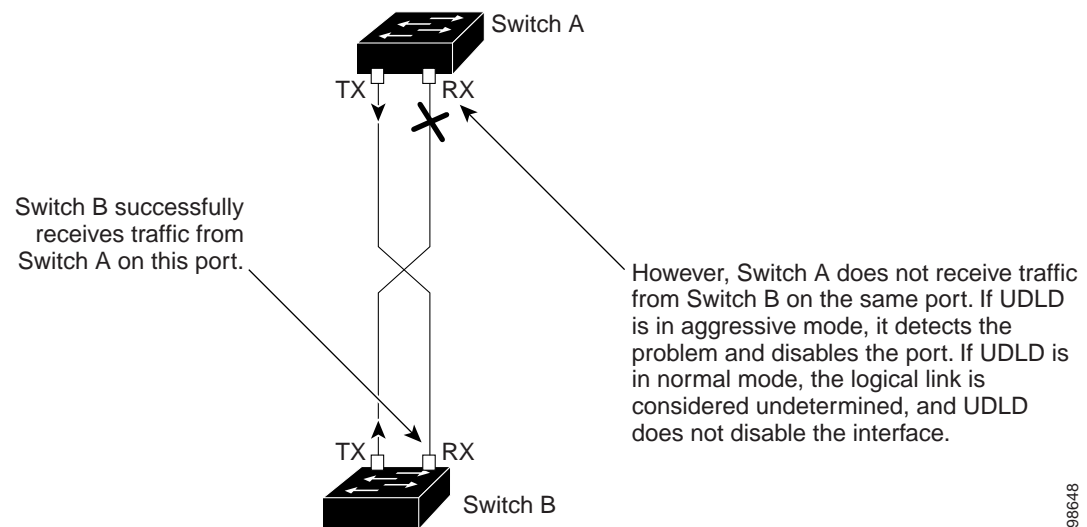
If the detection window ends and no valid reply message is received, the link might shut down, depending on the UDLD mode. When UDLD is in normal mode, the link might be considered undetermined and might not be shut down. When UDLD is in aggressive mode, the link is considered unidirectional, and the port is disabled.

If UDLD in normal mode is in the advertisement or in the detection phase and all the neighbor cache entries are aged out, UDLD restarts the link-up sequence to resynchronize with any potentially out-of-sync neighbors.

If you enable aggressive mode when all the neighbors of a port have aged out either in the advertisement or in the detection phase, UDLD restarts the link-up sequence to resynchronize with any potentially out-of-sync neighbor. UDLD shuts down the port if, after the fast train of messages, the link state is still undetermined.

Figure 26-1 shows an example of a unidirectional link condition.

**Figure 26-1 UDLD Detection of a Unidirectional Link**



## Configuring UDLD

- [Default UDLD Configuration, page 26-4](#)
- [Configuration Guidelines, page 26-4](#)
- [Enabling UDLD Globally, page 26-5](#)
- [Enabling UDLD on an Interface, page 26-5](#)
- [Resetting an Interface Disabled by UDLD, page 26-6](#)

## Default UDLD Configuration

Table 26-1 shows the default UDLD configuration.

**Table 26-1** *Default UDLD Configuration*

Feature	Default Setting
UDLD global enable state	Globally disabled
UDLD per-port enable state for fiber-optic media	Disabled on all Ethernet fiber-optic ports
UDLD per-port enable state for twisted-pair (copper) media	Disabled on all Ethernet 10/100 and 1000BASE-TX ports
UDLD aggressive mode	Disabled

## Configuration Guidelines

- UDLD is not supported on ATM ports.
- A UDLD-capable port cannot detect a unidirectional link if it is connected to a UDLD-incapable port of another switch.
- When configuring the mode (normal or aggressive), make sure that the same mode is configured on both sides of the link.



### Caution

Loop guard works only on point-to-point links. We recommend that each end of the link has a directly connected device that is running STP.



## Enabling UDLD Globally

Beginning in privileged EXEC mode, follow these steps to enable UDLD in the aggressive or normal mode and to set the configurable message timer on all fiber-optic ports on the switch:

	Command	Purpose
Step 1	<b>configure terminal</b>	Enter global configuration mode.
Step 2	<b>udld { aggressive   enable   message time message-timer-interval }</b>	<p>Specify the UDLD mode of operation:</p> <ul style="list-style-type: none"> <li>• <b>aggressive</b>—Enables UDLD in aggressive mode on all fiber-optic ports.</li> <li>• <b>enable</b>—Enables UDLD in normal mode on all fiber-optic ports on the switch. UDLD is disabled by default. An individual interface configuration overrides the setting of the <b>udld enable</b> global configuration command. For more information about aggressive and normal modes, see the <a href="#">“Modes of Operation”</a> section on page 26-1.</li> <li>• <b>message time message-timer-interval</b>—Configures the period of time between UDLD probe messages on ports that are in the advertisement phase and are detected to be bidirectional. The range is from 7 to 90 seconds. The default value is 15.</li> </ul> <p><b>Note</b> This command affects fiber-optic ports only. Use the <b>udld</b> interface configuration command to enable UDLD on other port types. For more information, see the <a href="#">“Enabling UDLD on an Interface”</a> section on page 26-5.</p>
Step 3	<b>end</b>	Return to privileged EXEC mode.
Step 4	<b>show udd</b>	Verify your entries.
Step 5	<b>copy running-config startup-config</b>	(Optional) Save your entries in the configuration file.

To disable UDLD globally, use the **no udd enable** global configuration command to disable normal mode UDLD on all fiber-optic ports. Use the **no udd aggressive** global configuration command to disable aggressive mode UDLD on all fiber-optic ports.

## Enabling UDLD on an Interface

Beginning in privileged EXEC mode, follow these steps either to enable UDLD in the aggressive or normal mode or to disable UDLD on a port:

	Command	Purpose
Step 1	<b>configure terminal</b>	Enter global configuration mode.
Step 2	<b>interface interface-id</b>	Specify the port to be enabled for UDLD, and enter interface configuration mode.
Step 3	<b>no shutdown</b>	Enable the port, if necessary. By default, user network interfaces (UNIs) and enhanced network interfaces (ENIs) are disabled, and network node interfaces (NNIs) are enabled.

	Command	Purpose
Step 4	<b>udld port</b> [ <b>aggressive</b> ]	UDLD is disabled by default. <ul style="list-style-type: none"> <li>• <b>udld port</b>—Enables UDLD in normal mode on the specified port.</li> <li>• <b>udld port aggressive</b>—Enables UDLD in aggressive mode on the specified port.</li> </ul> <p><b>Note</b> Use the <b>no udld port</b> interface configuration command to disable UDLD on a specified fiber-optic port.</p> <p>For more information about aggressive and normal modes, see the “Modes of Operation” section on page 26-1.</p>
Step 5	<b>end</b>	Return to privileged EXEC mode.
Step 6	<b>show udld</b> <i>interface-id</i>	Verify your entries.
Step 7	<b>copy running-config startup-config</b>	(Optional) Save your entries in the configuration file.

## Resetting an Interface Disabled by UDLD

Beginning in privileged EXEC mode, follow these steps to reset all ports disabled by UDLD:

	Command	Purpose
Step 1	<b>udld reset</b>	Reset all ports disabled by UDLD.
Step 2	<b>show udld</b>	Verify your entries.

You can also bring up the port by using these commands:

- The **shutdown** interface configuration command followed by the **no shutdown** interface configuration command restarts the disabled port.
- The **no udld {aggressive | enable}** global configuration command followed by the **udld {aggressive | enable}** global configuration command re-enables the disabled ports.
- The **no udld port** interface configuration command followed by the **udld port [aggressive]** interface configuration command re-enables the disabled fiber-optic port.
- The **errdisable recovery cause udld** global configuration command enables the timer to automatically recover from the UDLD error-disabled state, and the **errdisable recovery interval interval** global configuration command specifies the time to recover from the UDLD error-disabled state.

## Displaying UDLD Status

To display the UDLD status for the specified port or for all ports, use the **show udld** [*interface-id*] privileged EXEC command.

For detailed information about the fields in the command output, see the command reference for this release.



# CHAPTER 27

## Configuring SPAN and RSPAN

---

This chapter describes how to configure Switched Port Analyzer (SPAN) and Remote SPAN (RSPAN) on the Cisco ME 3400E Ethernet Access switch.



**Note**

For complete syntax and usage information for the commands used in this chapter, see the command reference for this release.

---

- [Understanding SPAN and RSPAN, page 27-1](#)
- [Configuring SPAN and RSPAN, page 27-9](#)
- [Displaying SPAN and RSPAN Status, page 27-22](#)

## Understanding SPAN and RSPAN

You can analyze network traffic passing through ports or VLANs by using SPAN or RSPAN to send a copy of the traffic to another port on the switch or on another switch that has been connected to a network analyzer or other monitoring or security device. SPAN copies (or mirrors) traffic received or sent (or both) on source ports or source VLANs to a destination port for analysis. SPAN does not affect the switching of network traffic on the source ports or VLANs. You must dedicate the destination port for SPAN use. Except for traffic that is required for the SPAN or RSPAN session, destination ports do not receive or forward traffic.

Only traffic that enters or leaves source ports or traffic that enters or leaves source VLANs can be monitored by using SPAN; traffic routed to a source VLAN cannot be monitored. For example, if incoming traffic is being monitored, traffic that gets routed from another VLAN to the source VLAN cannot be monitored; however, traffic that is received on the source VLAN and routed to another VLAN can be monitored.

You can use the SPAN or RSPAN destination port to inject traffic from a network security device. For example, if you connect a Cisco Intrusion Detection System (IDS) sensor appliance to a destination port, the IDS device can send TCP reset packets to close down the TCP session of a suspected attacker.

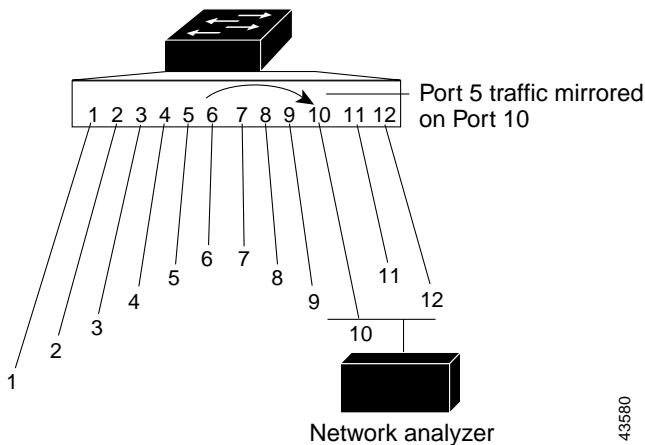
These sections contain this conceptual information:

- [Local SPAN, page 27-2](#)
- [Remote SPAN, page 27-2](#)
- [SPAN and RSPAN Concepts and Terminology, page 27-3](#)
- [SPAN and RSPAN Interaction with Other Features, page 27-8](#)

## Local SPAN

Local SPAN supports a SPAN session entirely within one switch; all source ports or source VLANs and destination ports reside in the same switch. Local SPAN copies traffic from one or more source ports in any VLAN or from one or more VLANs to a destination port for analysis. For example, in [Figure 27-1](#), all traffic on port 5 (the source port) is mirrored to port 10 (the destination port). A network analyzer on port 10 receives all network traffic from port 5 without being physically attached to port 5.

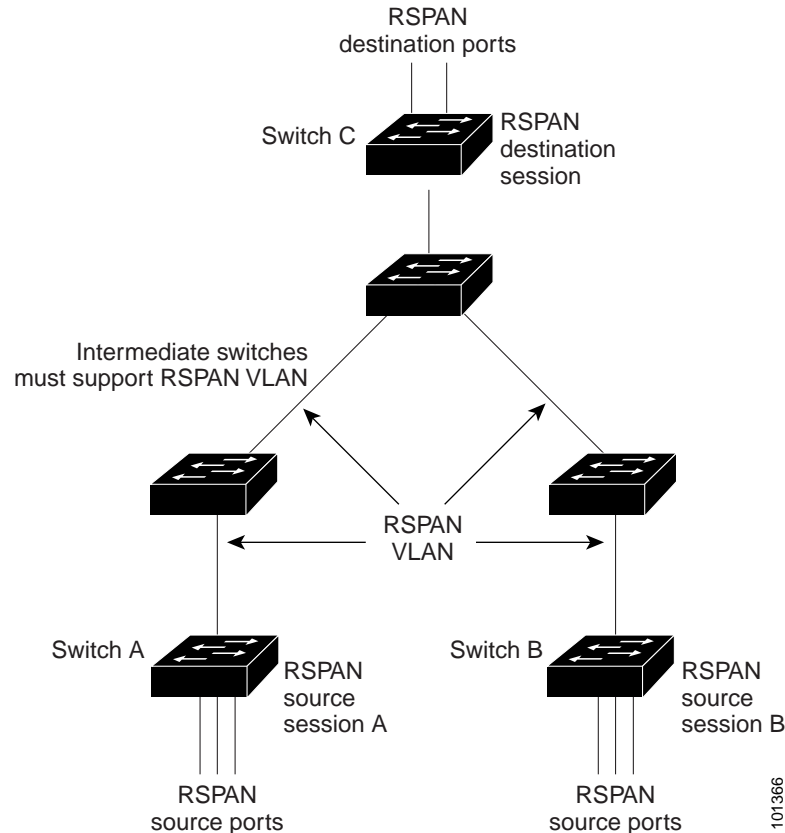
**Figure 27-1** Example of Local SPAN Configuration on a Single Switch



## Remote SPAN

RSPAN supports source ports, source VLANs, and destination ports on different switches, enabling remote monitoring of multiple switches across your network. [Figure 27-2](#) shows source ports on Switch A and Switch B. The traffic for each RSPAN session is carried over a user-specified RSPAN VLAN that is dedicated for that RSPAN session in all participating switches. The RSPAN traffic from the source ports or VLANs is copied into the RSPAN VLAN and forwarded over trunk ports carrying the RSPAN VLAN to a destination session monitoring the RSPAN VLAN. Each RSPAN source switch must have either ports or VLANs as RSPAN sources. The destination is always a physical port, as shown on Switch C in the figure.

Figure 27-2 Example of RSPAN Configuration



## SPAN and RSPAN Concepts and Terminology

This section describes concepts and terminology associated with SPAN and RSPAN configuration.

### SPAN Sessions

SPAN sessions (local or remote) allow you to monitor traffic on one or more ports, or one or more VLANs, and send the monitored traffic to one or more destination ports.

A local SPAN session is an association of a destination port with source ports or source VLANs, all on a single network device. Local SPAN does not have separate source and destination sessions. Local SPAN sessions gather a set of ingress and egress packets specified by the user and form them into a stream of SPAN data, which is directed to the destination port.

RSPAN consists of at least one RSPAN source session, an RSPAN VLAN, and at least one RSPAN destination session. You separately configure RSPAN source sessions and RSPAN destination sessions on different network devices. To configure an RSPAN source session on a device, you associate a set of source ports or source VLANs with an RSPAN VLAN. The output of this session is the stream of SPAN packets that are sent to the RSPAN VLAN. To configure an RSPAN destination session on another device, you associate the destination port with the RSPAN VLAN. The destination session collects all RSPAN VLAN traffic and sends it out the RSPAN destination port.

An RSPAN source session is very similar to a local SPAN session, except for where the packet stream is directed. In an RSPAN source session, SPAN packets are relabeled with the RSPAN VLAN ID and directed over normal trunk ports to the destination switch.

An RSPAN destination session takes all packets received on the RSPAN VLAN, strips off the VLAN tagging, and presents them on the destination port. Its purpose is to present a copy of all RSPAN VLAN packets (except Layer 2 control packets) to the user for analysis.

There can be more than one source session and more than one destination session active in the same RSPAN VLAN. There can also be intermediate switches separating the RSPAN source and destination sessions. These switches need not be capable of running RSPAN, but they must respond to the requirements of the RSPAN VLAN (see the “[RSPAN VLAN](#)” section on page 27-7).

Traffic monitoring in a SPAN session has these restrictions:

- Sources can be ports or VLANs, but you cannot mix source ports and source VLANs in the same session.
- The switch supports up to two source sessions (local SPAN and RSPAN source sessions). You can run both a local SPAN and an RSPAN source session in the same switch. The switch supports a total of 66 source and RSPAN destination sessions.
- You can have multiple destination ports in a SPAN session, but no more than 64 destination ports.
- You can configure two separate SPAN or RSPAN source sessions with separate or overlapping sets of SPAN source ports and VLANs. When the metro IP access image is running on the switch, both switched and routed ports can be configured as SPAN sources and destinations.
- SPAN sessions do not interfere with the normal operation of the switch. However, an oversubscribed SPAN destination, for example, a 10-Mbps port monitoring a 100-Mbps port, can result in dropped or lost packets.
- When RSPAN is enabled, each packet being monitored is transmitted twice, once as normal traffic and once as a monitored packet. Therefore monitoring a large number of ports or VLANs could potentially generate large amounts of network traffic.
- You can configure SPAN sessions on disabled ports; however, a SPAN session does not become active unless you enable the destination port and at least one source port or VLAN for that session.
- The switch does not support a combination of local SPAN and RSPAN in a single session. That is, an RSPAN source session cannot have a local destination port, an RSPAN destination session cannot have a local source port, and an RSPAN destination session and an RSPAN source session that are using the same RSPAN VLAN cannot run on the same switch.

## Monitored Traffic

SPAN sessions can monitor these traffic types:

- Receive (Rx) SPAN—The goal of receive (or ingress) SPAN is to monitor as much as possible all the packets received by the source interface or VLAN before any modification or processing is performed by the switch. A copy of each packet received by the source is sent to the destination port for that SPAN session.

Packets that are modified because of routing or quality of service (QoS)—for example, modified Differentiated Services Code Point (DSCP)—are copied before modification.

Features that can cause a packet to be dropped during receive processing have no effect on ingress SPAN; the destination port receives a copy of the packet even if the actual incoming packet is dropped. These features include IP standard and extended input access control lists (ACLs), ingress QoS policing, VLAN ACLs and egress QoS policing.

- **Transmit (Tx) SPAN**—The goal of transmit (or egress) SPAN is to monitor as much as possible all the packets sent by the source interface after all modification and processing is performed by the switch. A copy of each packet sent by the source is sent to the destination port for that SPAN session. The copy is provided after the packet is modified.

Packets that are modified because of routing—for example, with modified time-to-live (TTL), MAC-address, or QoS values—are duplicated (with the modifications) at the destination port.

Features that can cause a packet to be dropped during transmit processing also affect the duplicated copy for SPAN. These features include IP standard and extended output ACLs and egress QoS policing.

- **Both**—In a SPAN session, you can also monitor a port or VLAN for both received and sent packets. This is the default.

The default configuration for local SPAN session ports is to send all packets untagged. SPAN also does not normally monitor bridge protocol data unit (BPDU) packets and Layer 2 protocols, such as Cisco Discovery Protocol (CDP), Spanning Tree Protocol (STP), and Port Aggregation Protocol (PAgP). However, when you enter the **encapsulation replicate** keywords when configuring a destination port, these changes occur:

- Packets are sent on the destination port with the same encapsulation—untagged or IEEE 802.1Q—that they had on the source port.
- Packets of all types, including BPDU and Layer 2 protocol packets, are monitored.

Therefore, a local SPAN session with encapsulation replicate enabled can have a mixture of untagged and IEEE 802.1Q tagged packets appear on the destination port.

Switch congestion can cause packets to be dropped at ingress source ports, egress source ports, or SPAN destination ports. In general, these characteristics are independent of one another. For example:

- A packet might be forwarded normally but dropped from monitoring due to an oversubscribed SPAN destination port.
- An ingress packet might be dropped from normal forwarding, but still appear on the SPAN destination port.
- An egress packet dropped because of switch congestion is also dropped from egress SPAN.

In some SPAN configurations, multiple copies of the same source packet are sent to the SPAN destination port. For example, a bidirectional (both Rx and Tx) SPAN session is configured for the Rx monitor on port A and Tx monitor on port B. If a packet enters the switch through port A and is switched to port B, both incoming and outgoing packets are sent to the destination port. Both packets are the same (unless a Layer-3 rewrite occurs, in which case the packets are different because of the packet modification).

## Source Ports

A source port (also called a *monitored port*) is a switched or routed port that you monitor for network traffic analysis. In a local SPAN session or RSPAN source session, you can monitor source ports or VLANs for traffic in one or both directions. The switch supports any number of source ports (up to the maximum number of available ports on the switch) and any number of source VLANs (up to the maximum number of VLANs supported). However, the switch supports a maximum of two sessions (local or RSPAN) with source ports or VLANs, and you cannot mix ports and VLANs in a single session.

A source port has these characteristics:

- It can be monitored in multiple SPAN sessions.
- Each source port can be configured with a direction (ingress, egress, or both) to monitor.

- It can be any port type—for example, EtherChannel, Fast Ethernet, Gigabit Ethernet, user network interface (UNI), network node interface (NNI), enhanced network interface (ENI) and so forth.
- For EtherChannel sources, you can monitor traffic for the entire EtherChannel or individually on a physical port as it participates in the port channel.
- It can be a routed port, an access port, or a trunk port.
- It cannot be a destination port.
- Source ports can be in the same or different VLANs.
- You can monitor multiple source ports in a single session.

## Source VLANs

VLAN-based SPAN (VSPAN) is the monitoring of the network traffic in one or more VLANs. The SPAN or RSPAN source interface in VSPAN is a VLAN ID, and traffic is monitored on all the ports for that VLAN.

VSPAN has these characteristics:

- All active ports in the source VLAN are included as source ports and can be monitored in either or both directions.
- On a given port, only traffic on the monitored VLAN is sent to the destination port.
- If a destination port belongs to a source VLAN, it is excluded from the source list and is not monitored.
- If ports are added to or removed from the source VLANs, the traffic on the source VLAN received by those ports is added to or removed from the sources being monitored.
- You cannot use filter VLANs in the same session with VLAN sources.
- You can monitor only Ethernet VLANs.

## VLAN Filtering

When you monitor a trunk port as a source port, by default, all VLANs active on the trunk are monitored. You can limit SPAN traffic monitoring on trunk source ports to specific VLANs by using VLAN filtering.

- VLAN filtering applies only to trunk ports.
- VLAN filtering applies only to port-based sessions and is not allowed in sessions with VLAN sources.
- When a VLAN filter list is specified, only those VLANs in the list are monitored on trunk ports.
- SPAN traffic coming from other port types is not affected by VLAN filtering; that is, all VLANs are allowed on other ports.
- VLAN filtering affects only traffic forwarded to the destination SPAN port and does not affect the switching of normal traffic.

## Destination Port

Each local SPAN session or RSPAN destination session must have a destination port (also called a *monitoring port*) that receives a copy of traffic from the source ports or VLANs and sends the SPAN packets to the user, usually a network analyzer.



A destination port has these characteristics:

- For a local SPAN session, the destination port must reside on the same switch as the source port. For an RSPAN session, it is located on the switch containing the RSPAN destination session. There is no destination port on a switch running only an RSPAN source session.
- When a port is configured as a SPAN destination port, the configuration overwrites the original port configuration. When the SPAN destination configuration is removed, the port reverts to its previous configuration. If a configuration change is made to the port while it is acting as a SPAN destination port, the change does not take effect until the SPAN destination configuration had been removed.
- If the port was in an EtherChannel group, it is removed from the group while it is a destination port. If the switch is running the metro IP access image and the port was a routed port, it is no longer a routed port.
- It can be any Ethernet physical port.
- It cannot be a secure port.
- It cannot be a source port.
- It cannot be an EtherChannel group or a VLAN.
- It can participate in only one SPAN session at a time (a destination port in one SPAN session cannot be a destination port for a second SPAN session).
- When it is active, incoming traffic is disabled. The port does not send any traffic except that required for the SPAN session. Incoming traffic is never learned or forwarded on a destination port.
- If incoming traffic forwarding is enabled for a network security device, the destination port forwards traffic at Layer 2.
- It does not participate in any of the Layer 2 protocols (STP, VTP, CDP, DTP, PagP).
- A destination port that belongs to a source VLAN of any SPAN session is excluded from the source list and is not monitored.
- The maximum number of destination ports in a switch is 64.

Local SPAN and RSPAN destination ports behave differently regarding VLAN tagging and encapsulation:

- For local SPAN, if the **encapsulation replicate** keywords are specified for the destination port, these packets appear with the original encapsulation (untagged or IEEE 802.1Q). If **encapsulation dot1q** is specified, packets appear with the IEEE 802.1Q encapsulation. If these keywords are not specified, packets appear in the untagged format. Therefore, the output of a local SPAN session with **encapsulation replicate** enabled can contain a mixture of untagged and IEEE 802.1Q tagged packets.
- For RSPAN, the original VLAN ID is lost because it is overwritten by the RSPAN VLAN identification. Therefore, all packets appear on the destination port as untagged.

## RSPAN VLAN

The RSPAN VLAN carries SPAN traffic between RSPAN source and destination sessions. It has these special characteristics:

- All traffic in the RSPAN VLAN is always flooded.
- No MAC address learning occurs on the RSPAN VLAN.
- RSPAN VLAN traffic only flows on trunk ports.

- RSPAN VLANs must be configured in VLAN configuration mode by using the **remote-span** VLAN configuration mode command.
  - To change a VLAN from a UNI-ENI isolated VLAN (the default) to an RSPAN VLAN, enter the **rspan-vlan** VLAN configuration command.
  - To change a UNI-ENI community VLAN to an RSPAN VLAN, you must first remove the community VLAN type by entering the **no uni-vlan** VLAN configuration command.
- STP can run on RSPAN VLAN trunks but not on SPAN destination ports.




---

**Note** NNIs support STP by default and you can enable STP on ENIs. UNIs do not support STP.

---

- An RSPAN VLAN cannot be a private-VLAN primary or secondary VLAN.

It is normal to have multiple RSPAN VLANs in a network at the same time with each RSPAN VLAN defining a network-wide RSPAN session. That is, multiple RSPAN source sessions anywhere in the network can contribute packets to the RSPAN session. It is also possible to have multiple RSPAN destination sessions throughout the network, monitoring the same RSPAN VLAN and presenting traffic to the user. The RSPAN VLAN ID separates the sessions.

## SPAN and RSPAN Interaction with Other Features

SPAN interacts with these features:

- Routing—For switches that are running the metro IP access image, SPAN does not monitor routed traffic. RSPAN only monitors traffic that enters or exits the switch, not traffic that is routed between VLANs. For example, if a VLAN is being receive-monitored and the switch routes traffic from another VLAN to the monitored VLAN, that traffic is not monitored and is not received on the SPAN destination port.
- STP—A destination port does not participate in STP while its SPAN or RSPAN session is active. The destination port can participate in STP after the SPAN or RSPAN session is disabled. On a source port, SPAN does not affect the STP status. STP can be active on trunk ports carrying an RSPAN VLAN. However, only NNIs or ENIs can support STP; UNIs do not participate in STP.
- CDP—A SPAN destination port does not participate in CDP while the SPAN session is active. After the SPAN session is disabled, the port again participates in CDP. NNIs have CDP enabled by default and you can enable it on ENIs; UNIs do not participate in CDP.
- VLAN and trunking—You can modify VLAN membership or trunk settings for source or destination ports at any time. However, changes in VLAN membership or trunk settings for a destination port do not take effect until you remove the SPAN destination configuration. Changes in VLAN membership or trunk settings for a source port immediately take effect, and the respective SPAN sessions automatically adjust accordingly.
- EtherChannel—You can configure an EtherChannel group as a source port but not as a SPAN destination port. When a group is configured as a SPAN source, the entire group is monitored.

If a physical port is added to a monitored EtherChannel group, the new port is added to the SPAN source port list. If a port is removed from a monitored EtherChannel group, it is automatically removed from the source port list.

A physical port that belongs to an EtherChannel group can be configured as a SPAN source port and still be a part of the EtherChannel. In this case, data from the physical port is monitored as it participates in the EtherChannel. However, if a physical port that belongs to an EtherChannel group is configured as a SPAN destination, it is removed from the group. After the port is removed from the SPAN session, it rejoins the EtherChannel group. Ports removed from an EtherChannel group remain members of the group, but they are in the *inactive* or *suspended* state.

If a physical port that belongs to an EtherChannel group is a destination port and the EtherChannel group is a source, the port is removed from the EtherChannel group and from the list of monitored ports.

- Multicast traffic can be monitored. For sending and receiving port monitoring, only a single unedited packet is sent to the SPAN destination port. It does not reflect the number of times that the multicast packet is sent.
- A private-VLAN port cannot be a SPAN destination port.
- A secure port cannot be a SPAN destination port.

For SPAN sessions, do not enable port security on ports with monitored egress when ingress forwarding is enabled on the destination port. For RSPAN source sessions, do not enable port security on any ports with monitored egress.

- An IEEE 802.1x port can be a SPAN source port. You can enable IEEE 802.1x on a port that is a SPAN destination port; however, IEEE 802.1x is disabled until the port is removed as a SPAN destination.

For SPAN sessions, do not enable IEEE 802.1x on ports with monitored sending when receive forwarding is enabled on the destination port. For RSPAN source sessions, do not enable IEEE 802.1x on any ports that are sending monitored.

## Configuring SPAN and RSPAN

- [Default SPAN and RSPAN Configuration, page 27-9](#)
- [Configuring Local SPAN, page 27-10](#)
- [Configuring RSPAN, page 27-16](#)

## Default SPAN and RSPAN Configuration

[Table 27-1](#) shows the default SPAN and RSPAN configuration.

**Table 27-1** Default SPAN and RSPAN Configuration

Feature	Default Setting
SPAN state (SPAN and RSPAN)	Disabled.
Source port traffic to monitor	Both received and sent traffic ( <b>both</b> ).
Encapsulation type (destination port)	Native form (untagged packets).
Ingress forwarding (destination port)	Disabled

Table 27-1 Default SPAN and RSPAN Configuration (continued)

Feature	Default Setting
VLAN filtering	On a trunk interface used as a source port, all VLANs are monitored.
RSPAN VLANs	None configured. Default VLAN type is UNI-ENI isolated.

## Configuring Local SPAN

- [SPAN Configuration Guidelines, page 27-10](#)
- [Creating a Local SPAN Session, page 27-11](#)
- [Creating a Local SPAN Session and Configuring Ingress Traffic, page 27-13](#)
- [Specifying VLANs to Filter, page 27-15](#)

## SPAN Configuration Guidelines

- You can configure a total of two local SPAN sessions or RSPAN source sessions on each switch. You can have a total of 66 SPAN sessions (local, RSPAN source, and RSPAN destination) on a switch.
- For SPAN sources, you can monitor traffic for a single port or VLAN or a series or range of ports or VLANs for each session. You cannot mix source ports and source VLANs within a single SPAN session.
- The destination port cannot be a source port; a source port cannot be a destination port.
- You cannot have two SPAN sessions using the same destination port.
- When you configure a switch port as a SPAN destination port, it is no longer a normal switch port; only monitored traffic passes through the SPAN destination port.
- Entering SPAN configuration commands does not remove previously configured SPAN parameters. You must enter the **no monitor session** {*session\_number* | **all** | **local** | **remote**} global configuration command to delete configured SPAN parameters.
- For local SPAN, outgoing packets through the SPAN destination port carry the original encapsulation headers—untagged or IEEE 802.1Q—if the **encapsulation replicate** or **encapsulation dot1q** keywords are specified. If the keywords are not specified, the packets are sent in native form. For RSPAN destination ports, outgoing packets are not tagged.
- You can configure a disabled port to be a source or destination port, but the SPAN function does not start until the destination port and at least one source port or source VLAN are enabled.
- You can limit SPAN traffic to specific VLANs by using the **filter vlan** keyword. If a trunk port is being monitored, only traffic on the VLANs specified with this keyword is monitored. By default, all VLANs are monitored on a trunk port.
- You cannot mix source VLANs and filter VLANs within a single SPAN session.

## Creating a Local SPAN Session

Beginning in privileged EXEC mode, follow these steps to create a SPAN session and specify the source (monitored) ports or VLANs and the destination (monitoring) ports:

	Command	Purpose
Step 1	<b>configure terminal</b>	Enter global configuration mode.
Step 2	<b>no monitor session</b> { <i>session_number</i>   <b>all</b>   <b>local</b>   <b>remote</b> }	Remove any existing SPAN configuration for the session. For <i>session_number</i> , the range is 1 to 66. Specify <b>all</b> to remove all SPAN sessions, <b>local</b> to remove all local sessions, or <b>remote</b> to remove all remote SPAN sessions.
Step 3	<b>monitor session</b> <i>session_number</i> <b>source</b> { <b>interface</b> <i>interface-id</i>   <b>vlan</b> <i>vlan-id</i> } [,   -] [ <b>both</b>   <b>rx</b>   <b>tx</b> ]	Specify the SPAN session and the source port (monitored port). For <i>session_number</i> , the range is 1 to 66. For <i>interface-id</i> , specify the source port or source VLAN to monitor. <ul style="list-style-type: none"> <li>For source <i>interface-id</i>, specify the source port to monitor. Valid interfaces include physical interfaces and port-channel logical interfaces (<b>port-channel</b> <i>port-channel-number</i>). Valid <i>port-channel numbers</i> are 1 to 48.</li> <li>For <i>vlan-id</i>, specify the source VLAN to monitor. The range is 1 to 4094 (excluding the RSPAN VLAN).</li> </ul> <p><b>Note</b> A single session can include multiple sources (ports or VLANs), defined in a series of commands, but you cannot combine source ports and source VLANs in one session.</p> <p>(Optional) [,   -] Specify a series or range of interfaces. Enter a space before and after the comma; enter a space before and after the hyphen.</p> <p>(Optional) Specify the direction of traffic to monitor. If you do not specify a traffic direction, the SPAN monitors both sent and received traffic.</p> <ul style="list-style-type: none"> <li><b>both</b>—Monitor both received and sent traffic. This is the default.</li> <li><b>rx</b>—Monitor received traffic.</li> <li><b>tx</b>—Monitor sent traffic.</li> </ul> <p><b>Note</b> You can use the <b>monitor session</b> <i>session_number</i> <b>source</b> command multiple times to configure multiple source ports.</p>

	Command	Purpose
Step 4	<b>monitor session</b> <i>session_number</i> <b>destination</b> { <b>interface</b> <i>interface-id</i> [,   -] [ <b>encapsulation</b> { <b>dot1q</b>   <b>replicate</b> }]}	Specify the SPAN session and the destination port (monitoring port). For <i>session_number</i> , specify the session number entered in Step 3. <b>Note</b> For local SPAN, you must use the same session number for the source and destination interfaces.  For <i>interface-id</i> , specify the destination port. The destination interface must be a physical port; it cannot be an EtherChannel, and it cannot be a VLAN.  (Optional) [,   -] Specify a series or range of interfaces. Enter a space before and after the comma; enter a space before and after the hyphen.  (Optional) Enter <b>encapsulation dot1q</b> for IEEE 802.1Q encapsulation or <b>encapsulation replicate</b> to specify that the destination interface replicates the source interface encapsulation method. If not selected, the default is to send packets in native form (untagged).  <b>Note</b> You can use <b>monitor session</b> <i>session_number</i> <b>destination</b> command multiple times to configure multiple destination ports.
Step 5	<b>end</b>	Return to privileged EXEC mode.
Step 6	<b>show monitor</b> [ <b>session</b> <i>session_number</i> ] <b>show running-config</b>	Verify the configuration.
Step 7	<b>copy running-config startup-config</b>	(Optional) Save the configuration in the configuration file.

To delete a SPAN session, use the **no monitor session** *session\_number* global configuration command. To remove a source or destination port or VLAN from the SPAN session, use the **no monitor session** *session\_number* **source** {**interface** *interface-id* | **vlan** *vlan-id*} global configuration command or the **no monitor session** *session\_number* **destination interface** *interface-id* global configuration command. For destination interfaces, the **encapsulation replicate** keywords are ignored with the **no** form of the command.

This example shows how to set up SPAN session 1 for monitoring source port traffic to a destination port. First, any existing SPAN configuration for session 1 is deleted, and then bidirectional traffic is mirrored from source Gigabit Ethernet port 1 to destination Gigabit Ethernet port 2, retaining the encapsulation method.

```
Switch(config)# no monitor session 1
Switch(config)# monitor session 1 source interface gigabitethernet0/1
Switch(config)# monitor session 1 destination interface gigabitethernet0/2
encapsulation replicate
Switch(config)# end
```

This example shows how to remove port 1 as a SPAN source for SPAN session 1:

```
Switch(config)# no monitor session 1 source interface gigabitethernet0/1
Switch(config)# end
```

This example shows how to disable received traffic monitoring on port 1, which was configured for bidirectional monitoring:

```
Switch(config)# no monitor session 1 source interface gigabitethernet0/1 rx
```

The monitoring of traffic received on port 1 is disabled, but traffic sent from this port continues to be monitored.

This example shows how to remove any existing configuration on SPAN session 2, configure SPAN session 2 to monitor received traffic on all ports belonging to VLANs 1 through 3, and send it to destination Gigabit Ethernet port 2. The configuration is then modified to also monitor all traffic on all ports belonging to VLAN 10.

```
Switch(config)# no monitor session 2
Switch(config)# monitor session 2 source vlan 1 - 3 rx
Switch(config)# monitor session 2 destination interface gigabitethernet0/2
Switch(config)# monitor session 2 source vlan 10
Switch(config)# end
```

## Creating a Local SPAN Session and Configuring Ingress Traffic

Beginning in privileged EXEC mode, follow these steps to create a SPAN session, to specify the source ports or VLANs and the destination ports, and to enable ingress traffic on the destination port for a network security device (such as a Cisco IDS Sensor Appliance).



### Note

See the [“Creating a Local SPAN Session”](#) section on page 27-11 for details about the keywords not related to ingress traffic.

	Command	Purpose
Step 1	<b>configure terminal</b>	Enter global configuration mode.
Step 2	<b>no monitor session</b> { <i>session_number</i>   <b>all</b>   <b>local</b>   <b>remote</b> }	Remove any existing SPAN configuration for the session.
Step 3	<b>monitor session</b> <i>session_number</i> <b>source</b> { <b>interface</b> <i>interface-id</i>   <b>vlan</b> <i>vlan-id</i> } [,   -] [ <b>both</b>   <b>rx</b>   <b>tx</b> ]	Specify the SPAN session and the source port (monitored port).

	Command	Purpose
Step 4	<b>monitor session</b> <i>session_number</i> <b>destination</b> { <b>interface</b> <i>interface-id</i> [,   -] [ <b>encapsulation</b> { <b>dot1q</b>   <b>replicate</b> }] [ <b>ingress</b> { <b>dot1q</b>   <b>untagged</b> } <b>vlan</b> <i>vlan-id</i> }]	Specify the SPAN session, the destination port, the packet encapsulation, and the ingress VLAN and encapsulation.  For <i>session_number</i> , specify the session number entered in Step 3.  For <i>interface-id</i> , specify the destination port. The destination interface must be a physical port; it cannot be an EtherChannel, and it cannot be a VLAN.  (Optional) [,   -] Specify a series or range of interfaces. Enter a space before and after the comma or hyphen.  (Optional) Enter <b>encapsulation dot1q</b> for IEEE 802.1Q encapsulation or <b>encapsulation replicate</b> to specify that the destination interface replicates the source interface encapsulation method. If not selected, the default is to send packets in native form (untagged).  Enter <b>ingress</b> with keywords to enable ingress traffic forwarding on the destination port and specify the encapsulation type: <ul style="list-style-type: none"> <li>• <b>dot1q</b>—Forward incoming packets with IEEE 802.1Q encapsulation with the specified VLAN as the default VLAN.</li> <li>• <b>untagged</b>—Forward incoming packets with untagged encapsulation type with the specified VLAN as the default VLAN.</li> <li>• <b>vlan <i>vlan-id</i></b>—The default VLAN. If neither <b>dot1q</b> or <b>untagged</b> is specified, the default is to forward packets untagged.</li> </ul>
Step 5	<b>end</b>	Return to privileged EXEC mode.
Step 6	<b>show monitor</b> [ <b>session</b> <i>session_number</i> ] <b>show running-config</b>	Verify the configuration.
Step 7	<b>copy running-config startup-config</b>	(Optional) Save the configuration in the configuration file.

To delete a SPAN session, use the **no monitor session** *session\_number* global configuration command. To remove a source or destination port or VLAN from the SPAN session, use the **no monitor session** *session\_number* **source** {**interface** *interface-id* | **vlan** *vlan-id*} global configuration command or the **no monitor session** *session\_number* **destination interface** *interface-id* global configuration command. For destination interfaces, the encapsulation and ingress options are ignored with the **no** form of the command.

This example shows how to remove any existing configuration on SPAN session 2, configure SPAN session 2 to monitor sent traffic on Gigabit Ethernet source port 1, and send it to destination Gigabit Ethernet port 2 with the same egress encapsulation type as the source port, and to enable incoming forwarding with IEEE 802.1Q encapsulation and VLAN 6 as the default ingress VLAN.

```
Switch(config)# no monitor session 2
Switch(config)# monitor session 2 source gigabitethernet0/1 rx
Switch(config)# monitor session 2 destination interface gigabitethernet0/2 encapsulation
replicate ingress dot1q vlan 6
Switch(config)# end
```



## Specifying VLANs to Filter

Beginning in privileged EXEC mode, follow these steps to limit SPAN source traffic to specific VLANs:

	Command	Purpose
Step 1	<b>configure terminal</b>	Enter global configuration mode.
Step 2	<b>no monitor session</b> { <i>session_number</i>   <b>all</b>   <b>local</b>   <b>remote</b> }	Remove any existing SPAN configuration for the session. For <i>session_number</i> , the range is 1 to 66. Specify <b>all</b> to remove all SPAN sessions, <b>local</b> to remove all local sessions, or <b>remote</b> to remove all remote SPAN sessions.
Step 3	<b>monitor session</b> <i>session_number</i> <b>source interface</b> <i>interface-id</i>	Specify the characteristics of the source port (monitored port) and SPAN session. For <i>session_number</i> , the range is 1 to 66. For <i>interface-id</i> , specify the source port to monitor. The interface specified must already be configured as a trunk port.
Step 4	<b>monitor session</b> <i>session_number</i> <b>filter vlan</b> <i>vlan-id</i> [,   -]	Limit the SPAN source traffic to specific VLANs. For <i>session_number</i> , enter the session number specified in Step 3. For <i>vlan-id</i> , the range is 1 to 4094. (Optional) Use a comma (,) to specify a series of VLANs, or use a hyphen (-) to specify a range of VLANs. Enter a space before and after the comma; enter a space before and after the hyphen.
Step 5	<b>monitor session</b> <i>session_number</i> <b>destination</b> { <b>interface</b> <i>interface-id</i> [,   -] [ <b>encapsulation</b> { <b>dot1q</b>   <b>replicate</b> }]}	Specify the SPAN session and the destination port (monitoring port). For <i>session_number</i> , specify the session number entered in Step 3. For <i>interface-id</i> , specify the destination port. The destination interface must be a physical port; it cannot be an EtherChannel, and it cannot be a VLAN. (Optional) [,   -] Specify a series or range of interfaces. Enter a space before and after the comma; enter a space before and after the hyphen. (Optional) Enter <b>encapsulation dot1q</b> or <b>encapsulation replicate</b> to specify IEEE 802.1Q encapsulation or that the destination interface replicates the source interface encapsulation method. If not selected, the default is to send packets in native form (untagged).
Step 6	<b>end</b>	Return to privileged EXEC mode.
Step 7	<b>show monitor</b> [ <b>session</b> <i>session_number</i> ] <b>show running-config</b>	Verify the configuration.
Step 8	<b>copy running-config startup-config</b>	(Optional) Save the configuration in the configuration file.

To monitor all VLANs on the trunk port, use the **no monitor session** *session\_number* **filter** global configuration command.

This example shows how to remove any existing configuration on SPAN session 2, configure SPAN session 2 to monitor traffic received on Gigabit Ethernet trunk port 2, and send traffic for only VLANs 1 through 5 and VLAN 9 to destination Gigabit Ethernet port 1.

```
Switch(config)# no monitor session 2
Switch(config)# monitor session 2 source interface gigabitethernet0/2 rx
Switch(config)# monitor session 2 filter vlan 1 - 5 , 9
Switch(config)# monitor session 2 destination interface gigabitethernet0/1
Switch(config)# end
```

## Configuring RSPAN

- [RSPAN Configuration Guidelines, page 27-16](#)
- [Configuring a VLAN as an RSPAN VLAN, page 27-17](#)
- [Creating an RSPAN Source Session, page 27-17](#)
- [Creating an RSPAN Destination Session, page 27-19](#)
- [Creating an RSPAN Destination Session and Configuring Ingress Traffic, page 27-20](#)
- [Specifying VLANs to Filter, page 27-21](#)

## RSPAN Configuration Guidelines

- All the items in the “[SPAN Configuration Guidelines](#)” section on [page 27-10](#) apply to RSPAN.
- As RSPAN VLANs have special properties, you should reserve a few VLANs across your network for use as RSPAN VLANs; do not assign access ports to these VLANs.
- You can apply an output ACL to RSPAN traffic to selectively filter or monitor specific packets. Specify these ACLs on the RSPAN VLAN in the RSPAN source switches.
- For RSPAN configuration, you can distribute the source ports and the destination ports across multiple switches in your network.
- RSPAN does not support BPDU packet monitoring or other Layer 2 switch protocols.
- The RSPAN VLAN is configured only on trunk ports and not on access ports. To avoid unwanted traffic in RSPAN VLANs, make sure that the VLAN remote-span feature is supported in all the participating switches.
- Access ports on the RSPAN VLAN are put in the inactive state.
- RSPAN VLANs are included as sources for port-based RSPAN sessions when source trunk ports have active RSPAN VLANs. RSPAN VLANs can also be sources in SPAN sessions. However, since the switch does not monitor spanned traffic, it does not support egress spanning of packets on any RSPAN VLAN identified as the destination of an RSPAN source session on the switch.
- You can configure any VLAN as an RSPAN VLAN as long as these conditions are met:
  - The same RSPAN VLAN is used for an RSPAN session in all the switches.
  - All participating switches support RSPAN.
  - MAC address learning is not disabled on the RSPAN VLAN.
- We recommend that you configure an RSPAN VLAN before you configure an RSPAN source or a destination session.

## Configuring a VLAN as an RSPAN VLAN

Create a new VLAN to be the RSPAN VLAN for the RSPAN session. You must create the RSPAN VLAN in all switches that will participate in RSPAN. You must configure RSPAN VLAN on source and destination switches and any intermediate switches.

To get an efficient flow of RSPAN traffic, manually delete the RSPAN VLAN from all trunks that do not need to carry the RSPAN traffic.

Beginning in privileged EXEC mode, follow these steps to create an RSPAN VLAN:

	Command	Purpose
Step 1	<b>configure terminal</b>	Enter global configuration mode.
Step 2	<b>vlan <i>vlan-id</i></b>	Enter a VLAN ID to create a VLAN, or enter the VLAN ID of an existing VLAN, and enter VLAN configuration mode. The range is 2 to 1001 and 1006 to 4094.  <b>Note</b> The RSPAN VLAN cannot be VLAN 1 (the default VLAN) or VLAN IDs 1002 through 1005 (reserved for Token Ring and FDDI VLANs). If you enter the VLAN ID of a UNI-ENI community VLAN, you must remove the community VLAN type by entering the <b>no uni-vlan</b> VLAN configuration command.
Step 3	<b>remote-span</b>	Configure the VLAN as an RSPAN VLAN.
Step 4	<b>end</b>	Return to privileged EXEC mode.
Step 5	<b>copy running-config startup-config</b>	(Optional) Save the configuration in the configuration file.

To remove the remote SPAN characteristic from a VLAN and convert it back to a UNI-ENI isolated VLAN, use the **no remote-span** VLAN configuration command.

This example shows how to create RSPAN VLAN 901.

```
Switch(config)# vlan 901
Switch(config-vlan)# remote span
Switch(config-vlan)# end
```

## Creating an RSPAN Source Session

Beginning in privileged EXEC mode, follow these steps to start an RSPAN source session and to specify the monitored source and the destination RSPAN VLAN:

	Command	Purpose
Step 1	<b>configure terminal</b>	Enter global configuration mode.
Step 2	<b>no monitor session {<i>session_number</i>   <b>all</b>   <b>local</b>   <b>remote</b>}</b>	Remove any existing RSPAN configuration for the session. For <i>session_number</i> , the range is 1 to 66. Specify <b>all</b> to remove all RSPAN sessions, <b>local</b> to remove all local sessions, or <b>remote</b> to remove all remote SPAN sessions.

	Command	Purpose
Step 3	<b>monitor session</b> <i>session_number</i> <b>source</b> { <b>interface</b> <i>interface-id</i> / <b>vlan</b> <i>vlan-id</i> } [,   -] [ <b>both</b>   <b>rx</b>   <b>tx</b> ]	<p>Specify the RSPAN session and the source port (monitored port). For <i>session_number</i>, the range is 1 to 66.</p> <p>Enter a source port or source VLAN for the RSPAN session:</p> <ul style="list-style-type: none"> <li>For <i>interface-id</i>, specify the source port to monitor. Valid interfaces include physical interfaces and port-channel logical interfaces (<b>port-channel</b> <i>port-channel-number</i>). Valid port-channel numbers are 1 to 48.</li> <li>For <i>vlan-id</i>, specify the source VLAN to monitor. The range is 1 to 4094 (excluding the RSPAN VLAN).</li> </ul> <p><b>Note</b> A single session can include multiple sources (ports or VLANs), defined in a series of commands, but you cannot combine source ports and source VLANs in one session.</p> <p>(Optional) [,   -] Specify a series or range of interfaces. Enter a space before and after the comma; enter a space before and after the hyphen.</p> <p>(Optional) Specify the direction of traffic to monitor. If you do not specify a traffic direction, the source interface sends both sent and received traffic.</p> <ul style="list-style-type: none"> <li><b>both</b>—Monitor both received and sent traffic.</li> <li><b>rx</b>—Monitor received traffic.</li> <li><b>tx</b>—Monitor sent traffic.</li> </ul>
Step 4	<b>monitor session</b> <i>session_number</i> <b>destination remote vlan</b> <i>vlan-id</i>	<p>Specify the RSPAN session and the destination RSPAN VLAN. For <i>session_number</i>, enter the number defined in Step 3. For <i>vlan-id</i>, specify the source RSPAN VLAN to monitor.</p>
Step 5	<b>end</b>	Return to privileged EXEC mode.
Step 6	<b>show monitor</b> [ <b>session</b> <i>session_number</i> ] <b>show running-config</b>	Verify the configuration.
Step 7	<b>copy running-config startup-config</b>	(Optional) Save the configuration in the configuration file.

To delete a SPAN session, use the **no monitor session** *session\_number* global configuration command.

To remove a source port or VLAN from the SPAN session, use the **no monitor session** *session\_number* **source** {**interface** *interface-id* / **vlan** *vlan-id*} global configuration command. To remove the RSPAN VLAN from the session, use the **no monitor session** *session\_number* **destination remote vlan** *vlan-id*.

This example shows how to remove any existing RSPAN configuration for session 1, configure RSPAN session 1 to monitor multiple source interfaces, and configure the destination as RSPAN VLAN 901.

```
Switch(config)# no monitor session 1
Switch(config)# monitor session 1 source interface gigabitethernet0/1 tx
Switch(config)# monitor session 1 source interface gigabitethernet0/2 rx
Switch(config)# monitor session 1 source interface port-channel 12
Switch(config)# monitor session 1 destination remote vlan 901
Switch(config)# end
```

## Creating an RSPAN Destination Session

You configure the RSPAN destination session on a different switch; that is, not the switch on which the source session was configured.

Beginning in privileged EXEC mode, follow these steps to define the RSPAN VLAN on that switch, to create an RSPAN destination session, and to specify the source RSPAN VLAN and the destination port:

	Command	Purpose
Step 1	<b>configure terminal</b>	Enter global configuration mode.
Step 2	<b>vlan</b> <i>vlan-id</i>	Enter the VLAN ID of the RSPAN VLAN created from the source switch, and enter VLAN configuration mode.  <b>Note</b> If the VLAN is configured as a UNI-ENI community VLAN, you must remove the community VLAN type by entering the <b>no uni-vlan</b> VLAN configuration command.
Step 3	<b>remote-span</b>	Identify the VLAN as the RSPAN VLAN.
Step 4	<b>exit</b>	Return to global configuration mode.
Step 5	<b>no monitor session</b> { <i>session_number</i>   <b>all</b>   <b>local</b>   <b>remote</b> }	Remove any existing RSPAN configuration for the session.  For <i>session_number</i> , the range is 1 to 66.  Specify <b>all</b> to remove all RSPAN sessions, <b>local</b> to remove all local sessions, or <b>remote</b> to remove all remote SPAN sessions.
Step 6	<b>monitor session</b> <i>session_number</i> <b>source remote vlan</b> <i>vlan-id</i>	Specify the RSPAN session and the source RSPAN VLAN.  For <i>session_number</i> , the range is 1 to 66.  For <i>vlan-id</i> , specify the source RSPAN VLAN to monitor.
Step 7	<b>monitor session</b> <i>session_number</i> <b>destination interface</b> <i>interface-id</i>	Specify the RSPAN session and the destination interface.  For <i>session_number</i> , enter the number defined in Step 6.  <b>Note</b> In an RSPAN destination session, you must use the same session number for the source RSPAN VLAN and the destination port.  For <i>interface-id</i> , specify the destination interface. The destination interface must be a physical interface.  <b>Note</b> Though visible in the command-line help string, <b>encapsulation replicate</b> is not supported for RSPAN. The original VLAN ID is overwritten by the RSPAN VLAN ID, and all packets appear on the destination port as untagged.
Step 8	<b>end</b>	Return to privileged EXEC mode.
Step 9	<b>show monitor</b> [ <b>session</b> <i>session_number</i> ] <b>show running-config</b>	Verify the configuration.
Step 10	<b>copy running-config startup-config</b>	(Optional) Save the configuration in the configuration file.

To delete a SPAN session, use the **no monitor session** *session\_number* global configuration command. To remove a destination port from the SPAN session, use the **no monitor session** *session\_number* **destination interface** *interface-id* global configuration command. To remove the RSPAN VLAN from the session, use the **no monitor session** *session\_number* **source remote vlan** *vlan-id*.

This example shows how to configure VLAN 901 as the source remote VLAN and port 1 as the destination interface:

```
Switch(config)# monitor session 1 source remote vlan 901
Switch(config)# monitor session 1 destination interface gigabitethernet0/1
Switch(config)# end
```

## Creating an RSPAN Destination Session and Configuring Ingress Traffic

Beginning in privileged EXEC mode, follow these steps to create an RSPAN destination session, to specify the source RSPAN VLAN and the destination port, and to enable ingress traffic on the destination port for a network security device (such as a Cisco IDS Sensor Appliance).



### Note

For details about the keywords not related to ingress traffic, see the [“Creating an RSPAN Destination Session” section on page 27-19](#). This procedure assumes that the RSPAN VLAN has been configured.

	Command	Purpose
Step 1	<b>configure terminal</b>	Enter global configuration mode.
Step 2	<b>no monitor session</b> { <i>session_number</i>   <b>all</b>   <b>local</b>   <b>remote</b> }	Remove any existing SPAN configuration for the session.
Step 3	<b>monitor session</b> <i>session_number</i> <b>source remote vlan</b> <i>vlan-id</i>	Specify the RSPAN session and the source RSPAN VLAN. For <i>session_number</i> , the range is 1 to 66. For <i>vlan-id</i> , specify the source RSPAN VLAN to monitor.
Step 4	<b>monitor session</b> <i>session_number</i> <b>destination</b> { <b>interface</b> <i>interface-id</i> [,   -]   <b>ingress</b> { <b>dot1q vlan</b> <i>vlan-id</i>   <b>untagged vlan</b> <i>vlan-id</i>   <b>vlan</b> <i>vlan-id</i> } }	Specify the SPAN session, the destination port, the packet encapsulation, and the ingress VLAN and encapsulation. For <i>session_number</i> , enter the number defined in Step 4. <b>Note</b> In an RSPAN destination session, you must use the same session number for the source RSPAN VLAN and the destination port. For <i>interface-id</i> , specify the destination interface. The destination interface must be a physical interface. <b>Note</b> Though visible in the command-line help string, <b>encapsulation replicate</b> is not supported for RSPAN. The original VLAN ID is overwritten by the RSPAN VLAN ID, and all packets appear on the destination port as untagged.  (Optional) [,   -] Specify a series or range of interfaces. Enter a space before and after the comma; enter a space before and after the hyphen. Enter <b>ingress</b> with additional keywords to enable ingress traffic forwarding on the destination port and to specify the encapsulation type: <ul style="list-style-type: none"> <li><b>dot1q vlan</b> <i>vlan-id</i>—Forward incoming packets with IEEE 802.1Q encapsulation with the specified VLAN as the default VLAN.</li> <li><b>untagged vlan</b> <i>vlan-id</i> or <b>vlan</b> <i>vlan-id</i>—Forward incoming packets with untagged encapsulation type with the specified VLAN as the default VLAN.</li> </ul>

	Command	Purpose
Step 5	<b>end</b>	Return to privileged EXEC mode.
Step 6	<b>show monitor</b> [session <i>session_number</i> ] <b>show running-config</b>	Verify the configuration.
Step 7	<b>copy running-config startup-config</b>	(Optional) Save the configuration in the configuration file.

To delete an RSPAN session, use the **no monitor session** *session\_number* global configuration command. To remove a destination port from the RSPAN session, use the **no monitor session** *session\_number* **destination interface** *interface-id* global configuration command. The ingress options are ignored with the **no** form of the command.

This example shows how to configure VLAN 901 as the source remote VLAN in RSPAN session 2, to configure Gigabit Ethernet source port 2 as the destination interface, and to enable ingress forwarding on the interface with VLAN 6 as the default incoming VLAN.

```
Switch(config)# monitor session 2 source remote vlan 901
Switch(config)# monitor session 2 destination interface gigabitethernet0/2 ingress vlan 6
Switch(config)# end
```

## Specifying VLANs to Filter

Beginning in privileged EXEC mode, follow these steps to configure the RSPAN source session to limit RSPAN source traffic to specific VLANs:

	Command	Purpose
Step 1	<b>configure terminal</b>	Enter global configuration mode.
Step 2	<b>no monitor session</b> { <i>session_number</i>   <b>all</b>   <b>local</b>   <b>remote</b> }	Remove any existing SPAN configuration for the session. For <i>session_number</i> , the range is 1 to 66. Specify <b>all</b> to remove all SPAN sessions, <b>local</b> to remove all local sessions, or <b>remote</b> to remove all remote SPAN sessions.
Step 3	<b>monitor session</b> <i>session_number</i> <b>source interface</b> <i>interface-id</i>	Specify the characteristics of the source port (monitored port) and SPAN session. For <i>session_number</i> , the range is 1 to 66. For <i>interface-id</i> , specify the source port to monitor. The interface specified must already be configured as a trunk port.
Step 4	<b>monitor session</b> <i>session_number</i> <b>filter vlan</b> <i>vlan-id</i> [,   -]	Limit the SPAN source traffic to specific VLANs. For <i>session_number</i> , enter the session number specified in step 3. For <i>vlan-id</i> , the range is 1 to 4094. (Optional) Use a comma (,) to specify a series of VLANs or use a hyphen (-) to specify a range of VLANs. Enter a space before and after the comma; enter a space before and after the hyphen.

	Command	Purpose
Step 5	<b>monitor session</b> <i>session_number</i> <b>destination remote vlan</b> <i>vlan-id</i>	Specify the RSPAN session and the destination remote VLAN (RSPAN VLAN).  For <i>session_number</i> , enter the session number specified in step 3.  For <i>vlan-id</i> , specify the RSPAN VLAN to carry the monitored traffic to the destination port.
Step 6	<b>end</b>	Return to privileged EXEC mode.
Step 7	<b>show monitor</b> [ <b>session</b> <i>session_number</i> ] <b>show running-config</b>	Verify the configuration.
Step 8	<b>copy running-config startup-config</b>	(Optional) Save the configuration in the configuration file.

To monitor all VLANs on the trunk port, use the **no monitor session** *session\_number* **filter vlan** global configuration command.

This example shows how to remove any existing configuration on RSPAN session 2, configure RSPAN session 2 to monitor traffic received on trunk port 2, and send traffic for only VLANs 2 through 5 and 9 to destination RSPAN VLAN 902.

```
Switch(config)# no monitor session 2
Switch(config)# monitor session 2 source interface gigabitethernet0/2 rx
Switch(config)# monitor session 2 filter vlan 2 - 5 , 9
Switch(config)# monitor session 2 destination remote vlan 902
Switch(config)# end
```

## Displaying SPAN and RSPAN Status

To display the current SPAN or RSPAN configuration, use the **show monitor** user EXEC command. You can also use the **show running-config** privileged EXEC command to display configured SPAN or RSPAN sessions.





# CHAPTER 28

## Configuring RMON

---

This chapter describes how to configure Remote Network Monitoring (RMON) on the Cisco ME 3400E Ethernet Access switch.

RMON is a standard monitoring specification that defines a set of statistics and functions that can be exchanged between RMON-compliant console systems and network probes. RMON provides you with comprehensive network-fault diagnosis, planning, and performance-tuning information.



### Note

For complete syntax and usage information for the commands used in this chapter, see the “System Management Commands” section in the *Cisco IOS Configuration Fundamentals Command Reference, Release 12.2*.

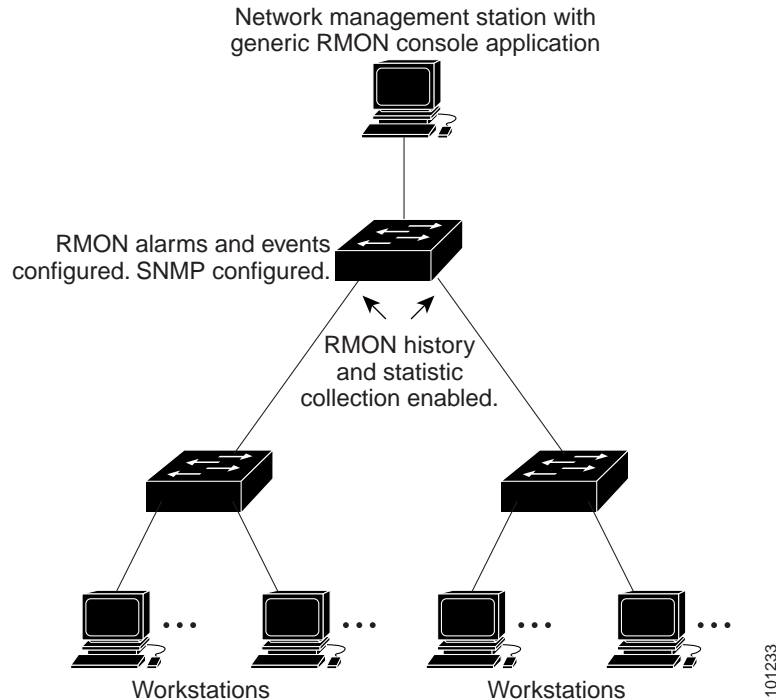
---

- [Understanding RMON, page 28-1](#)
- [Configuring RMON, page 28-2](#)
- [Displaying RMON Status, page 28-6](#)

## Understanding RMON

RMON is an Internet Engineering Task Force (IETF) standard monitoring specification that allows various network agents and console systems to exchange network monitoring data. You can use the RMON feature with the Simple Network Management Protocol (SNMP) agent in the switch to monitor all the traffic flowing among switches on all connected LAN segments as shown in [Figure 28-1](#).

Figure 28-1 Remote Monitoring Example



The switch supports these RMON groups (defined in RFC 1757):

- Statistics (RMON group 1)—Collects Ethernet statistics (including Fast Ethernet and Gigabit Ethernet statistics, depending on the switch type and supported interfaces) on an interface.
- History (RMON group 2)—Collects a history group of statistics on Ethernet ports (including Fast Ethernet and Gigabit Ethernet statistics, depending on the switch type and supported interfaces) for a specified polling interval.
- Alarm (RMON group 3)—Monitors a specific management information base (MIB) object for a specified interval, triggers an alarm at a specified value (rising threshold), and resets the alarm at another value (falling threshold). Alarms can be used with events; the alarm triggers an event, which can generate a log entry or an SNMP trap.
- Event (RMON group 9)—Specifies the action to take when an event is triggered by an alarm. The action can be to generate a log entry or an SNMP trap.

Because switches supported by this software release use hardware counters for RMON data processing, the monitoring is more efficient, and little processing power is required.



**Note**

64-bit counters are not supported for RMON alarms.

## Configuring RMON

- [Default RMON Configuration, page 28-3](#)
- [Configuring RMON Alarms and Events, page 28-3](#) (required)

- [Collecting Group History Statistics on an Interface, page 28-5](#) (optional)
- [Collecting Group Ethernet Statistics on an Interface, page 28-5](#) (optional)

## Default RMON Configuration

RMON is disabled by default; no alarms or events are configured.

## Configuring RMON Alarms and Events

You can configure your switch for RMON by using the command-line interface (CLI) or an SNMP-compatible network management station. We recommend that you use a generic RMON console application on the network management station (NMS) to take advantage of the RMON network management capabilities. You must also configure SNMP on the switch to access RMON MIB objects. For more information, see [Chapter 30, “Configuring SNMP:”](#)



Note

64-bit counters are not supported for RMON alarms.

Beginning in privileged EXEC mode, follow these steps to enable RMON alarms and events. This procedure is required.

	Command	Purpose
Step 1	<b>configure terminal</b>	Enter global configuration mode.
Step 2	<b>rmon alarm</b> <i>number variable interval</i> { <b>absolute</b>   <b>delta</b> } <b>rising-threshold</b> <i>value</i> [ <i>event-number</i> ] <b>falling-threshold</b> <i>value</i> [ <i>event-number</i> ] [ <b>owner</b> <i>string</i> ]	Set an alarm on a MIB object. <ul style="list-style-type: none"> <li>• For <i>number</i>, specify the alarm number. The range is 1 to 65535.</li> <li>• For <i>variable</i>, specify the MIB object to monitor.</li> <li>• For <i>interval</i>, specify the time in seconds the alarm monitors the MIB variable. The range is 1 to 4294967295 seconds.</li> <li>• Specify the <b>absolute</b> keyword to test each MIB variable directly. Specify the <b>delta</b> keyword to test the change between samples of a MIB variable.</li> <li>• For <i>value</i>, specify a number at which the alarm is triggered and one for when the alarm is reset. The range for the rising threshold and falling threshold values is -2147483648 to 2147483647.</li> <li>• (Optional) For <i>event-number</i>, specify the event number to trigger when the rising or falling threshold exceeds its limit.</li> <li>• (Optional) For <b>owner</b> <i>string</i>, specify the owner of the alarm.</li> </ul>

	Command	Purpose
Step 3	<b>rmon event</b> <i>number</i> [ <b>description string</b> ] [ <b>log</b> ] [ <b>owner string</b> ] [ <b>trap community</b> ]	Add an event in the RMON event table that is associated with an RMON event number. <ul style="list-style-type: none"> <li>For <i>number</i>, assign an event number. The range is 1 to 65535.</li> <li>(Optional) For <b>description string</b>, specify a description of the event.</li> <li>(Optional) Use the <b>log</b> keyword to generate an RMON log entry when the event is triggered.</li> <li>(Optional) For <b>owner string</b>, specify the owner of this event.</li> <li>(Optional) For <b>trap community</b>, enter the SNMP community string used for this trap.</li> </ul>
Step 4	<b>end</b>	Return to privileged EXEC mode.
Step 5	<b>show running-config</b>	Verify your entries.
Step 6	<b>copy running-config startup-config</b>	(Optional) Save your entries in the configuration file.

To disable an alarm, use the **no rmon alarm** *number* global configuration command on each alarm you configured. You cannot disable at once all the alarms that you configured. To disable an event, use the **no rmon event** *number* global configuration command. To learn more about alarms and events and how they interact with each other, see RFC 1757.

You can set an alarm on any MIB object. The following example configures RMON alarm number 10 by using the **rmon alarm** command. The alarm monitors the MIB variable *ifEntry.20.1* once every 20 seconds until the alarm is disabled and checks the change in the variable's rise or fall. If the *ifEntry.20.1* value shows a MIB counter increase of 15 or more, such as from 100000 to 100015, the alarm is triggered. The alarm in turn triggers event number 1, which is configured with the **rmon event** command. Possible events can include a log entry or an SNMP trap. If the *ifEntry.20.1* value changes by 0, the alarm is reset and can be triggered again.

```
Switch(config)# rmon alarm 10 ifEntry.20.1 20 delta rising-threshold 15 1
falling-threshold 0 owner jjohnson
```

The following example creates RMON event number 1 by using the **rmon event** command. The event is defined as *High ifOutErrors* and generates a log entry when the event is triggered by the alarm. The user *jjones* owns the row that is created in the event table by this command. This example also generates an SNMP trap when the event is triggered.

```
Switch(config)# rmon event 1 log trap eventtrap description "High ifOutErrors" owner
jjones
```

## Collecting Group History Statistics on an Interface

You must first configure RMON alarms and events to display collection information.

Beginning in privileged EXEC mode, follow these steps to collect group history statistics on an interface. This procedure is optional.

	Command	Purpose
Step 1	<b>configure terminal</b>	Enter global configuration mode.
Step 2	<b>interface</b> <i>interface-id</i>	Specify the interface on which to collect history, and enter interface configuration mode.
Step 3	<b>no shutdown</b>	Enable the port, if necessary. By default, user network node interfaces (UNIs) and enhanced network interfaces (ENIs) are disabled, and network node interfaces (NNIs) are enabled.
Step 4	<b>rmon collection history</b> <i>index</i> [ <b>buckets</b> <i>bucket-number</i> ] [ <b>interval</b> <i>seconds</i> ] [ <b>owner</b> <i>ownername</i> ]	Enable history collection for the specified number of buckets and time period. <ul style="list-style-type: none"> <li>For <i>index</i>, identify the RMON group of statistics. The range is 1 to 65535.</li> <li>(Optional) For <b>buckets</b> <i>bucket-number</i>, specify the maximum number of buckets desired for the RMON collection history group of statistics. The range is 1 to 65535. The default is 50 buckets.</li> <li>(Optional) For <b>interval</b> <i>seconds</i>, specify the number of seconds in each polling cycle. The range is 1 to 3600. The default is 1800 seconds.</li> <li>(Optional) For <b>owner</b> <i>ownername</i>, enter the name of the owner of the RMON group of statistics.</li> </ul>
Step 5	<b>end</b>	Return to privileged EXEC mode.
Step 6	<b>show running-config</b>	Verify your entries.
Step 7	<b>show rmon history</b>	Display the contents of the switch history table.
Step 8	<b>copy running-config startup-config</b>	(Optional) Save your entries in the configuration file.

To disable history collection, use the **no rmon collection history index** interface configuration command.

## Collecting Group Ethernet Statistics on an Interface

Beginning in privileged EXEC mode, follow these steps to collect group Ethernet statistics on an interface. This procedure is optional.

	Command	Purpose
Step 1	<b>configure terminal</b>	Enter global configuration mode.
Step 2	<b>interface</b> <i>interface-id</i>	Specify the interface on which to collect statistics, and enter interface configuration mode.

	Command	Purpose
Step 3	<b>no shutdown</b>	Enable the port, if necessary. By default, UNIs and ENIs are disabled, and NNIs are enabled.
Step 4	<b>rmon collection stats</b> <i>index</i> [ <b>owner</b> <i>ownername</i> ]	Enable RMON statistic collection on the interface. <ul style="list-style-type: none"> <li>For <i>index</i>, specify the RMON group of statistics. The range is from 1 to 65535.</li> <li>(Optional) For <b>owner</b> <i>ownername</i>, enter the name of the owner of the RMON group of statistics.</li> </ul>
Step 5	<b>end</b>	Return to privileged EXEC mode.
Step 6	<b>show running-config</b>	Verify your entries.
Step 7	<b>show rmon statistics</b>	Display the contents of the switch statistics table.
Step 8	<b>copy running-config startup-config</b>	(Optional) Save your entries in the configuration file.

To disable the collection of group Ethernet statistics, use the **no rmon collection stats** *index* interface configuration command.

This example shows how to collect RMON statistics for the owner *root*:

```
Switch(config)# interface fastethernet0/1
Switch(config)# no shutdown
Switch(config-if)# rmon collection stats 2 owner root
```

## Displaying RMON Status

To display the RMON status, use one or more of the privileged EXEC commands in [Table 28-1](#):

**Table 28-1** Commands for Displaying RMON Status

Command	Purpose
<b>show rmon</b>	Displays general RMON statistics.
<b>show rmon alarms</b>	Displays the RMON alarm table.
<b>show rmon events</b>	Displays the RMON event table.
<b>show rmon history</b>	Displays the RMON history table.
<b>show rmon statistics</b>	Displays the RMON statistics table.

For information about the fields in these displays, see the “System Management Commands” section in the *Cisco IOS Configuration Fundamentals Command Reference, Release 12.2*.



# CHAPTER 29

## Configuring System Message Logging

---

This chapter describes how to configure system message logging on the Cisco ME 3400E Ethernet Access switch.



Note

---

For complete syntax and usage information for the commands used in this chapter, see the *Cisco IOS Configuration Fundamentals Command Reference, Release 12.2*.

---

This chapter consists of these sections:

- [Understanding System Message Logging, page 29-1](#)
- [Configuring System Message Logging, page 29-2](#)
- [Displaying the Logging Configuration, page 29-13](#)



Caution

---

Logging messages to the console at a high rate can cause high CPU utilization and adversely affect how the switch operates.

---

## Understanding System Message Logging

By default, a switch sends the output from system messages and **debug** privileged EXEC commands to a logging process. The logging process controls the distribution of logging messages to various destinations, such as the logging buffer, terminal lines, or a UNIX syslog server, depending on your configuration. The process also sends messages to the console.



Note

---

The syslog format is compatible with 4.3 BSD UNIX.

---

When the logging process is disabled, messages are sent only to the console. The messages are sent as they are generated, so message and debug output are interspersed with prompts or output from other commands. Messages appear on the console after the process that generated them has finished.

You can set the severity level of the messages to control the type of messages displayed on the consoles and each of the destinations. You can time-stamp log messages or set the syslog source address to enhance real-time debugging and management. For information on possible messages, see the system message guide for this release.

You can access logged system messages by using the switch command-line interface (CLI) or by saving them to a properly configured syslog server. The switch software saves syslog messages in an internal buffer.

You can remotely monitor system messages by viewing the logs on a syslog server or by accessing the switch through Telnet or through the console port.

## Configuring System Message Logging

- [System Log Message Format, page 29-2](#)
- [Default System Message Logging Configuration, page 29-3](#)
- [Disabling Message Logging, page 29-4](#) (optional)
- [Setting the Message Display Destination Device, page 29-5](#) (optional)
- [Synchronizing Log Messages, page 29-6](#) (optional)
- [Enabling and Disabling Time Stamps on Log Messages, page 29-7](#) (optional)
- [Enabling and Disabling Sequence Numbers in Log Messages, page 29-8](#) (optional)
- [Defining the Message Severity Level, page 29-8](#) (optional)
- [Limiting Syslog Messages Sent to the History Table and to SNMP, page 29-10](#) (optional)
- [Enabling the Configuration-Change Logger, page 29-10](#) (optional)
- [Configuring UNIX Syslog Servers, page 29-11](#) (optional)

## System Log Message Format

System log messages can contain up to 80 characters and a percent sign (%), which follows the optional sequence number or time-stamp information, if configured. Messages appear in this format:

*seq no:timestamp: %facility-severity-MNEMONIC:description*

The part of the message preceding the percent sign depends on the setting of the **service sequence-numbers**, **service timestamps log datetime**, **service timestamps log datetime [localtime]** [**msec**] [**show-timezone**], or **service timestamps log uptime** global configuration command.



Table 29-1 describes the elements of syslog messages.

**Table 29-1** System Log Message Elements

Element	Description
<i>seq no:</i>	Stamps log messages with a sequence number only if the <b>service sequence-numbers</b> global configuration command is configured.  For more information, see the “ <a href="#">Enabling and Disabling Sequence Numbers in Log Messages</a> ” section on page 29-8.
<i>timestamp</i> formats: <i>mm/dd hh:mm:ss</i> or <i>hh:mm:ss</i> (short uptime) or <i>d h</i> (long uptime)	Date and time of the message or event. This information appears only if the <b>service timestamps log [datetime   log]</b> global configuration command is configured.  For more information, see the “ <a href="#">Enabling and Disabling Time Stamps on Log Messages</a> ” section on page 29-7.
<i>facility</i>	The facility to which the message refers (for example, SNMP, SYS, and so forth). For a list of supported facilities, see <a href="#">Table 29-4 on page 29-13</a> .
<i>severity</i>	Single-digit code from 0 to 7 that is the severity of the message. For a description of the severity levels, see <a href="#">Table 29-3 on page 29-9</a> .
<i>MNEMONIC</i>	Text string that uniquely describes the message.
<i>description</i>	Text string containing detailed information about the event being reported.

This example shows a partial switch system message:

```
00:00:46: %LINK-3-UPDOWN: Interface Port-channell, changed state to up
00:00:47: %LINK-3-UPDOWN: Interface GigabitEthernet0/1, changed state to up
00:00:47: %LINK-3-UPDOWN: Interface GigabitEthernet0/2, changed state to up
00:00:48: %LINEPROTO-5-UPDOWN: Line protocol on Interface Vlan1, changed state to down
00:00:48: %LINEPROTO-5-UPDOWN: Line protocol on Interface GigabitEthernet0/1, changed
state to down 2
*Mar  1 18:46:11: %SYS-5-CONFIG_I: Configured from console by vty2 (10.34.195.36)
18:47:02: %SYS-5-CONFIG_I: Configured from console by vty2 (10.34.195.36)
*Mar  1 18:48:50.483 UTC: %SYS-5-CONFIG_I: Configured from console by vty2 (10.34.195.36)
```

## Default System Message Logging Configuration

Table 29-2 shows the default system message logging configuration.

**Table 29-2** Default System Message Logging Configuration

Feature	Default Setting
System message logging to the console	Enabled.
Console severity	Debugging (and numerically lower levels; see <a href="#">Table 29-3 on page 29-9</a> ).
Logging file configuration	No filename specified.
Logging buffer size	4096 bytes.
Logging history size	1 message.
Time stamps	Disabled.

**Table 29-2** Default System Message Logging Configuration (continued)

Feature	Default Setting
Synchronous logging	Disabled.
Logging server	Disabled.
Syslog server IP address	None configured.
Server facility	Local7 (see <a href="#">Table 29-4 on page 29-13</a> ).
Server severity	Informational (and numerically lower levels; see <a href="#">Table 29-3 on page 29-9</a> ).

## Disabling Message Logging

Message logging is enabled by default. It must be enabled to send messages to any destination other than the console. When enabled, log messages are sent to a logging process, which logs messages to designated locations asynchronously to the processes that generated the messages.

Beginning in privileged EXEC mode, follow these steps to disable message logging. This procedure is optional.

	Command	Purpose
Step 1	<b>configure terminal</b>	Enter global configuration mode.
Step 2	<b>no logging console</b>	Disable message logging.
Step 3	<b>end</b>	Return to privileged EXEC mode.
Step 4	<b>show running-config</b> or <b>show logging</b>	Verify your entries.
Step 5	<b>copy running-config startup-config</b>	(Optional) Save your entries in the configuration file.

Disabling the logging process can slow down the switch because a process must wait until the messages are written to the console before continuing. When the logging process is disabled, messages appear on the console as soon as they are produced, often appearing in the middle of command output.

The **logging synchronous** global configuration command also affects the display of messages to the console. When this command is enabled, messages appear only after you press Return. For more information, see the [“Synchronizing Log Messages” section on page 29-6](#).

To re-enable message logging after it has been disabled, use the **logging on** global configuration command.

## Setting the Message Display Destination Device

If message logging is enabled, you can send messages to specific locations in addition to the console. Beginning in privileged EXEC mode, use one or more of the following commands to specify the locations that receive messages. This procedure is optional.

	Command	Purpose
Step 1	<b>configure terminal</b>	Enter global configuration mode.
Step 2	<b>logging buffered</b> [ <i>size</i> ]	<p>Log messages to an internal buffer on the switch. The default buffer size is 4096. The range is 4096 to 2147483647 bytes.</p> <p>If the switch fails, the log file is lost unless you previously saved it to Flash memory. See Step 4.</p> <p><b>Note</b> Do not make the buffer size too large because the switch could run out of memory for other tasks. Use the <b>show memory</b> privileged EXEC command to view the free processor memory on the switch. However, this value is the maximum available, and the buffer size should <i>not</i> be set to this amount.</p>
Step 3	<b>logging host</b>	<p>Log messages to a UNIX syslog server host.</p> <p>For <i>host</i>, specify the name or IP address of the host to be used as the syslog server.</p> <p>To build a list of syslog servers that receive logging messages, enter this command more than once.</p> <p>For complete syslog server configuration steps, see the “<a href="#">Configuring UNIX Syslog Servers</a>” section on page 29-11.</p>
Step 4	<b>logging file flash:</b> <i>filename</i> [ <i>max-file-size</i> [ <i>min-file-size</i> ]] [ <i>severity-level-number</i>   <i>type</i> ]	<p>Store log messages in a file in flash memory.</p> <ul style="list-style-type: none"> <li>For <i>filename</i>, enter the log message filename.</li> <li>(Optional) For <i>max-file-size</i>, specify the maximum logging file size. The range is 4096 to 2147483647. The default is 4096 bytes.</li> <li>(Optional) For <i>min-file-size</i>, specify the minimum logging file size. The range is 1024 to 2147483647. The default is 2048 bytes.</li> <li>(Optional) For <i>severity-level-number</i> / <i>type</i>, specify either the logging severity level or the logging type. The severity range is 0 to 7. For a list of logging type keywords, see <a href="#">Table 29-3 on page 29-9</a>. By default, the log file receives debugging messages and numerically lower levels.</li> </ul>
Step 5	<b>end</b>	Return to privileged EXEC mode.
Step 6	<b>terminal monitor</b>	<p>Log messages to a nonconsole terminal during the current session.</p> <p>Terminal parameter-setting commands are set locally and do not remain in effect after the session has ended. You must perform this step for each session to see the debugging messages.</p>
Step 7	<b>show running-config</b>	Verify your entries.
Step 8	<b>copy running-config startup-config</b>	(Optional) Save your entries in the configuration file.

The **logging buffered** global configuration command copies logging messages to an internal buffer. The buffer is circular, so newer messages overwrite older messages after the buffer is full. To display the messages that are logged in the buffer, use the **show logging** privileged EXEC command. The first message displayed is the oldest message in the buffer. To clear the contents of the buffer, use the **clear logging** privileged EXEC command.

To disable logging to the console, use the **no logging console** global configuration command. To disable logging to a file, use the **no logging file** *[severity-level-number | type]* global configuration command.

## Synchronizing Log Messages

You can synchronize unsolicited messages and **debug** privileged EXEC command output with solicited device output and prompts for a specific console port line or virtual terminal line. You can identify the types of messages to be output asynchronously based on the level of severity. You can also configure the maximum number of buffers for storing asynchronous messages for the terminal after which messages are dropped.

When synchronous logging of unsolicited messages and **debug** command output is enabled, unsolicited device output appears on the console or printed after solicited device output appears or is printed. Unsolicited messages and **debug** command output appears on the console after the prompt for user input is returned. Therefore, unsolicited messages and **debug** command output are not interspersed with solicited device output and prompts. After the unsolicited messages appear, the console again displays the user prompt.

Beginning in privileged EXEC mode, follow these steps to configure synchronous logging. This procedure is optional.

	Command	Purpose
Step 1	<b>configure terminal</b>	Enter global configuration mode.
Step 2	<b>line</b> [ <b>console</b>   <b>vty</b> ] <i>line-number</i> <i>[ending-line-number]</i>	Specify the line to be configured for synchronous logging of messages. <ul style="list-style-type: none"> <li>Use the <b>console</b> keyword for configurations that occur through the switch console port.</li> <li>Use the <b>line vty line-number</b> command to specify which vty lines are to have synchronous logging enabled. You use a vty connection for configurations that occur through a Telnet session. The range of line numbers is from 0 to 15.</li> </ul> You can change the setting of all 16 vty lines at once by entering: <b>line vty 0 15</b> Or you can change the setting of the single vty line being used for your current connection. For example, to change the setting for vty line 2, enter: <b>line vty 2</b> When you enter this command, the mode changes to line configuration.

	Command	Purpose
Step 3	<b>logging synchronous</b> [ <b>level</b> [ <i>severity-level</i>   <b>all</b> ]   <b>limit</b> <i>number-of-buffers</i> ]	Enable synchronous logging of messages. <ul style="list-style-type: none"> <li>(Optional) For <b>level</b> <i>severity-level</i>, specify the message severity level. Messages with a severity level equal to or higher than this value are printed asynchronously. Low numbers mean greater severity and high numbers mean lesser severity. The default is 2.</li> <li>(Optional) Specifying <b>level all</b> means that all messages are printed asynchronously regardless of the severity level.</li> <li>(Optional) For <b>limit</b> <i>number-of-buffers</i>, specify the number of buffers to be queued for the terminal after which new messages are dropped. The range is 0 to 2147483647. The default is 20.</li> </ul>
Step 4	<b>end</b>	Return to privileged EXEC mode.
Step 5	<b>show running-config</b>	Verify your entries.
Step 6	<b>copy running-config startup-config</b>	(Optional) Save your entries in the configuration file.

To disable synchronization of unsolicited messages and debug output, use the **no logging synchronous** [**level** *severity-level* | **all**] [**limit** *number-of-buffers*] line configuration command.

## Enabling and Disabling Time Stamps on Log Messages

By default, log messages are not time-stamped.

Beginning in privileged EXEC mode, follow these steps to enable time-stamping of log messages. This procedure is optional.

	Command	Purpose
Step 1	<b>configure terminal</b>	Enter global configuration mode.
Step 2	<b>service timestamps log uptime</b> or <b>service timestamps log datetime</b> [ <b>msec</b> ] [ <b>localtime</b> ] [ <b>show-timezone</b> ]	Enable log time stamps.  The first command enables time stamps on log messages, showing the time since the system was rebooted.  The second command enables time stamps on log messages. Depending on the options selected, the time stamp can include the date, time in milliseconds relative to the local time-zone, and the time zone name.
Step 3	<b>end</b>	Return to privileged EXEC mode.
Step 4	<b>show running-config</b>	Verify your entries.
Step 5	<b>copy running-config startup-config</b>	(Optional) Save your entries in the configuration file.

To disable time stamps for both debug and log messages, use the **no service timestamps** global configuration command.

This example shows part of a logging display with the **service timestamps log datetime** global configuration command enabled:

```
*Mar 1 18:46:11: %SYS-5-CONFIG_I: Configured from console by vty2 (10.34.195.36)
```

This example shows part of a logging display with the **service timestamps log uptime** global configuration command enabled:

```
00:00:46: %LINK-3-UPDOWN: Interface Port-channel1, changed state to up
```

## Enabling and Disabling Sequence Numbers in Log Messages

Because there is a chance that more than one log message can have the same time stamp, you can display messages with sequence numbers so that you can unambiguously see a single message. By default, sequence numbers in log messages are not displayed.

Beginning in privileged EXEC mode, follow these steps to enable sequence numbers in log messages. This procedure is optional.

	Command	Purpose
Step 1	<b>configure terminal</b>	Enter global configuration mode.
Step 2	<b>service sequence-numbers</b>	Enable sequence numbers.
Step 3	<b>end</b>	Return to privileged EXEC mode.
Step 4	<b>show running-config</b>	Verify your entries.
Step 5	<b>copy running-config startup-config</b>	(Optional) Save your entries in the configuration file.

To disable sequence numbers, use the **no service sequence-numbers** global configuration command.

This example shows part of a logging display with sequence numbers enabled:

```
000019: %SYS-5-CONFIG_I: Configured from console by vty2 (10.34.195.36)
```

## Defining the Message Severity Level

You can limit messages displayed to the selected device by specifying the severity level of the message, which are described in [Table 29-3](#).

Beginning in privileged EXEC mode, follow these steps to define the message severity level. This procedure is optional.

	Command	Purpose
Step 1	<b>configure terminal</b>	Enter global configuration mode.
Step 2	<b>logging console level</b>	Limit messages logged to the console. By default, the console receives debugging messages and numerically lower levels (see <a href="#">Table 29-3 on page 29-9</a> ).
Step 3	<b>logging monitor level</b>	Limit messages logged to the terminal lines. By default, the terminal receives debugging messages and numerically lower levels (see <a href="#">Table 29-3 on page 29-9</a> ).

	Command	Purpose
Step 4	<b>logging trap</b> <i>level</i>	Limit messages logged to the syslog servers.  By default, syslog servers receive informational messages and numerically lower levels (see <a href="#">Table 29-3 on page 29-9</a> ).  For complete syslog server configuration steps, see the “ <a href="#">Configuring UNIX Syslog Servers</a> ” section on page 29-11.
Step 5	<b>end</b>	Return to privileged EXEC mode.
Step 6	<b>show running-config</b> or <b>show logging</b>	Verify your entries.
Step 7	<b>copy running-config startup-config</b>	(Optional) Save your entries in the configuration file.

**Note**

Specifying a *level* causes messages at that level and numerically lower levels to appear at the destination.

To disable logging to the console, use the **no logging console** global configuration command. To disable logging to a terminal other than the console, use the **no logging monitor** global configuration command. To disable logging to syslog servers, use the **no logging trap** global configuration command.

[Table 29-3](#) describes the *level* keywords. It also lists the corresponding UNIX syslog definitions from the most severe level to the least severe level.

**Table 29-3** Message Logging Level Keywords

Level Keyword	Level	Description	Syslog Definition
<b>emergencies</b>	0	System unstable	LOG_EMERG
<b>alerts</b>	1	Immediate action needed	LOG_ALERT
<b>critical</b>	2	Critical conditions	LOG_CRIT
<b>errors</b>	3	Error conditions	LOG_ERR
<b>warnings</b>	4	Warning conditions	LOG_WARNING
<b>notifications</b>	5	Normal but significant condition	LOG_NOTICE
<b>informational</b>	6	Informational messages only	LOG_INFO
<b>debugging</b>	7	Debugging messages	LOG_DEBUG

The software generates four other categories of messages:

- Error messages about software or hardware malfunctions, displayed at levels **warnings** through **emergencies**. These types of messages mean that the functionality of the switch is affected. For information on how to recover from these malfunctions, see the system message guide for this release.
- Output from the **debug** commands, displayed at the **debugging** level. Debug commands are typically used only by the Technical Assistance Center.
- Interface up or down transitions and system restart messages, displayed at the **notifications** level. This message is only for information; switch functionality is not affected.

## Limiting Syslog Messages Sent to the History Table and to SNMP

If you enabled syslog message traps to be sent to an SNMP network management station by using the **snmp-server enable trap** global configuration command, you can change the level of messages sent and stored in the switch history table. You also can change the number of messages that are stored in the history table.

Messages are stored in the history table because SNMP traps are not guaranteed to reach their destination. By default, one message of the level **warning** and numerically lower levels (see [Table 29-3 on page 29-9](#)) are stored in the history table even if syslog traps are not enabled.

Beginning in privileged EXEC mode, follow these steps to change the level and history table size defaults. This procedure is optional.

	Command	Purpose
Step 1	<b>configure terminal</b>	Enter global configuration mode.
Step 2	<b>logging history level<sup>1</sup></b>	Change the default level of syslog messages stored in the history file and sent to the SNMP server.  See <a href="#">Table 29-3 on page 29-9</a> for a list of <i>level</i> keywords.  By default, <b>warnings</b> , <b>errors</b> , <b>critical</b> , <b>alerts</b> , and <b>emergencies</b> messages are sent.
Step 3	<b>logging history size number</b>	Specify the number of syslog messages that can be stored in the history table.  The default is to store one message. The range is 0 to 500 messages.
Step 4	<b>end</b>	Return to privileged EXEC mode.
Step 5	<b>show running-config</b>	Verify your entries.
Step 6	<b>copy running-config startup-config</b>	(Optional) Save your entries in the configuration file.

1. [Table 29-3](#) lists the level keywords and severity level. For SNMP usage, the severity level values increase by 1. For example, emergencies equal 1, not 0, and critical equals 3, not 2.

When the history table is full (it contains the maximum number of message entries specified with the **logging history size** global configuration command), the oldest message entry is deleted from the table to allow the new message entry to be stored.

To return the logging of syslog messages to the default level, use the **no logging history** global configuration command. To return the number of messages in the history table to the default value, use the **no logging history size** global configuration command.

## Enabling the Configuration-Change Logger

You can enable a configuration logger to keep track of configuration changes made with the command-line interface (CLI). When you enter the **logging enable** configuration-change logger configuration command, the log records the session, the user, and the command that was entered to change the configuration. You can configure the size of the configuration log from 1 to 1000 entries (the default is 100). You can clear the log at any time by entering the **no logging enable** command followed by the **logging enable** command to disable and reenabling logging.



Use the **show archive log config** { **all** | *number* [*end-number*] | **user** *username* [**session** *number*] *number* [*end-number*] | **statistics** } [**provisioning**] privileged EXEC command to display the complete configuration log or the log for specified parameters.

The default is that configuration logging is disabled.

For information about the commands, see the *Cisco IOS Configuration Fundamentals and Network Management Command Reference, Release 12.3 T*.

Beginning in privileged EXEC mode, follow these steps to enable configuration logging:

	Command	Purpose
Step 1	<b>configure terminal</b>	Enter global configuration mode.
Step 2	archive	Enter archive configuration mode.
Step 3	<b>log config</b>	Enter configuration-change logger configuration mode.
Step 4	<b>logging enable</b>	Enable configuration change logging.
Step 5	<b>logging size</b> <i>entries</i>	(Optional) Configure the number of entries retained in the configuration log. The range is from 1 to 1000. The default is 100. <b>Note</b> When the configuration log is full, the oldest log entry is removed each time a new entry is entered.
Step 6	<b>end</b>	Return to privileged EXEC mode.
Step 7	<b>show archive log config</b>	Verify your entries by viewing the configuration log.

This example shows how to enable the configuration-change logger and to set the number of entries in the log to 500.

```
Switch(config)# archive
Switch(config-archive)# log config
Switch(config-archive-log-cfg)# logging enable
Switch(config-archive-log-cfg)# logging size 500
Switch(config-archive-log-cfg)# end
```

This is an example of output for the configuration log:

```
Switch# show archive log config all
idx  sess  user@line  Logged command
 38  11  unknown user@vty3  |no aaa authorization config-commands
 39  12  unknown user@vty3  |no aaa authorization network default group radius
 40  12  unknown user@vty3  |no aaa accounting dot1x default start-stop group
radius
 41  13  unknown user@vty3  |no aaa accounting system default
 42  14  temi@vty4  |interface GigabitEthernet4/0/1
 43  14  temi@vty4  | switchport mode trunk
 44  14  temi@vty4  | exit
 45  16  temi@vty5  |interface FastEthernet5/0/1
 46  16  temi@vty5  | switchport mode trunk
 47  16  temi@vty5  | exit
```

## Configuring UNIX Syslog Servers

The next sections describe how to configure the UNIX server syslog daemon and how to define the UNIX system logging facility.

## Logging Messages to a UNIX Syslog Daemon

Before you can send system log messages to a UNIX syslog server, you must configure the syslog daemon on a UNIX server. This procedure is optional.

Log in as root, and perform these steps:



### Note

Some recent versions of UNIX syslog daemons no longer accept by default syslog packets from the network. If this is the case with your system, use the UNIX **man syslogd** command to decide what options must be added to or removed from the syslog command line to enable logging of remote syslog messages.

**Step 1** Add a line such as the following to the file `/etc/syslog.conf`:

```
local7.debug /usr/adm/logs/cisco.log
```

The **local7** keyword specifies the logging facility to be used; see [Table 29-4 on page 29-13](#) for information on the facilities. The **debug** keyword specifies the syslog level; see [Table 29-3 on page 29-9](#) for information on the severity levels. The syslog daemon sends messages at this level or at a more severe level to the file specified in the next field. The file must already exist, and the syslog daemon must have permission to write to it.

**Step 2** Create the log file by entering these commands at the UNIX shell prompt:

```
$ touch /var/log/cisco.log
$ chmod 666 /var/log/cisco.log
```

**Step 3** Make sure the syslog daemon reads the new changes:

```
$ kill -HUP `cat /etc/syslog.pid`
```

For more information, see the **man syslog.conf** and **man syslogd** commands on your UNIX system.

## Configuring the UNIX System Logging Facility

When sending system log messages to an external device, you can cause the switch to identify its messages as originating from any of the UNIX syslog facilities.

Beginning in privileged EXEC mode, follow these steps to configure UNIX system facility message logging. This procedure is optional.

	Command	Purpose
Step 1	<b>configure terminal</b>	Enter global configuration mode.
Step 2	<b>logging host</b>	Log messages to a UNIX syslog server host by entering its IP address. To build a list of syslog servers that receive logging messages, enter this command more than once.
Step 3	<b>logging trap level</b>	Limit messages logged to the syslog servers. By default, syslog servers receive informational messages and lower. See <a href="#">Table 29-3 on page 29-9</a> for <i>level</i> keywords.

	Command	Purpose
Step 4	<b>logging facility</b> <i>facility-type</i>	Configure the syslog facility. See <a href="#">Table 29-4 on page 29-13</a> for <i>facility-type</i> keywords. The default is <b>local7</b> .
Step 5	<b>end</b>	Return to privileged EXEC mode.
Step 6	<b>show running-config</b>	Verify your entries.
Step 7	<b>copy running-config startup-config</b>	(Optional) Save your entries in the configuration file.

To remove a syslog server, use the **no logging host** global configuration command, and specify the syslog server IP address. To disable logging to syslog servers, enter the **no logging trap** global configuration command.

[Table 29-4](#) lists the UNIX system facilities supported by the software. For more information about these facilities, consult the operator's manual for your UNIX operating system.

**Table 29-4 Logging Facility-Type Keywords**

Facility Type Keyword	Description
<b>auth</b>	Authorization system
<b>cron</b>	Cron facility
<b>daemon</b>	System daemon
<b>kern</b>	Kernel
<b>local0-7</b>	Locally defined messages
<b>lpr</b>	Line printer system
<b>mail</b>	Mail system
<b>news</b>	USENET news
<b>sys9-14</b>	System use
<b>syslog</b>	System log
<b>user</b>	User process
<b>uucp</b>	UNIX-to-UNIX copy system

## Displaying the Logging Configuration

To display the logging configuration and the contents of the log buffer, use the **show logging** privileged EXEC command. For information about the fields in this display, see the *Cisco IOS Configuration Fundamentals Command Reference, Release 12.2*.





## Configuring SNMP

---

This chapter describes how to configure the Simple Network Management Protocol (SNMP) on the Cisco ME 3400E Ethernet Access switch.

**Note**

For complete syntax and usage information for the commands used in this chapter, see the command reference for this release and the *Cisco IOS Network Management Command Reference, Release 12.4* from the Cisco.com page at this URL:

[http://www.cisco.com/en/US/docs/ios/netmgmt/command/reference/nm\\_book.html](http://www.cisco.com/en/US/docs/ios/netmgmt/command/reference/nm_book.html)

For commands for MIB bulk statistics data collection and process MIB configuration, see the *Cisco IOS Commands Master List, Release 12.4*, at this URL:

[http://www.cisco.com/en/US/products/ps6350/products\\_product\\_indices\\_list.html](http://www.cisco.com/en/US/products/ps6350/products_product_indices_list.html)

- [Understanding SNMP, page 30-1](#)
- [Configuring SNMP, page 30-6](#)
- [Displaying SNMP Status, page 30-23](#)

## Understanding SNMP

SNMP is an application-layer protocol that provides a message format for communication between managers and agents. The SNMP system consists of an SNMP manager, an SNMP agent, and a MIB. The SNMP manager can be part of a network management system (NMS) such as CiscoWorks. The agent and MIB reside on the switch. To configure SNMP on the switch, you define the relationship between the manager and the agent.

The SNMP agent contains MIB variables whose values the SNMP manager can request or change. A manager can get a value from an agent or store a value into the agent. The agent gathers data from the MIB, the repository for information about device parameters and network data. The agent can also respond to a manager's requests to get or set data.

An agent can send unsolicited traps to the manager. Traps are messages alerting the SNMP manager to a condition on the network. Traps can mean improper user authentication, restarts, link status (up or down), MAC address tracking, closing of a TCP connection, loss of connection to a neighbor, or other significant events.

Although the switch does not support the Cisco Data Collection MIB, you can use the command-line interface to periodically transfer selected MIB data to specified NMS stations. Starting with this release, you can also configure a Cisco Process MIB CPU threshold table.

These sections contain this conceptual information:

- [SNMP Versions, page 30-2](#)
- [SNMP Manager Functions, page 30-3](#)
- [SNMP Agent Functions, page 30-4](#)
- [SNMP Community Strings, page 30-4](#)
- [Using SNMP to Access MIB Variables, page 30-4](#)
- [SNMP Notifications, page 30-5](#)
- [SNMP ifIndex MIB Object Values, page 30-5](#)
- [MIB Data Collection and Transfer, page 30-6](#)

## SNMP Versions

This software release supports these SNMP versions:

- **SNMPv1**—The Simple Network Management Protocol, a Full Internet Standard, defined in RFC 1157.
- **SNMPv2C** replaces the Party-based Administrative and Security Framework of SNMPv2Classic with the community-string-based Administrative Framework of SNMPv2C while retaining the bulk retrieval and improved error handling of SNMPv2Classic. It has these features:
  - **SNMPv2**—Version 2 of the Simple Network Management Protocol, a Draft Internet Standard, defined in RFCs 1902 through 1907.
  - **SNMPv2C**—The community-string-based Administrative Framework for SNMPv2, an Experimental Internet Protocol defined in RFC 1901.
- **SNMPv3**—Version 3 of the SNMP is an interoperable standards-based protocol defined in RFCs 2273 to 2275. SNMPv3 provides secure access to devices by authenticating and encrypting packets over the network and includes these security features:
  - **Message integrity**—ensuring that a packet was not tampered with in transit
  - **Authentication**—determining that the message is from a valid source
  - **Encryption**—mixing the contents of a package to prevent it from being read by an unauthorized source.



---

**Note** To select encryption, enter the **priv** keyword. This keyword is available only when the cryptographic (encrypted) software image is installed.

---

Both SNMPv1 and SNMPv2C use a community-based form of security. The community of managers able to access the agent's MIB is defined by an IP address access control list and password.

SNMPv2C includes a bulk retrieval mechanism and more detailed error message reporting to management stations. The bulk retrieval mechanism retrieves tables and large quantities of information, minimizing the number of round-trips required. The SNMPv2C improved error-handling includes expanded error codes that distinguish different kinds of error conditions; these conditions are reported through a single error code in SNMPv1. Error return codes in SNMPv2C report the error type.

SNMPv3 provides for both security models and security levels. A security model is an authentication strategy set up for a user and the group within which the user resides. A security level is the permitted level of security within a security model. A combination of the security level and the security model determine which security mechanism is used when handling an SNMP packet. Available security models are SNMPv1, SNMPv2C, and SNMPv3.

Table 30-1 identifies the characteristics of the different combinations of security models and levels.

**Table 30-1** *SNMP Security Models and Levels*

Model	Level	Authentication	Encryption	Result
SNMPv1	noAuthNoPriv	Community string	No	Uses a community string match for authentication.
SNMPv2C	noAuthNoPriv	Community string	No	Uses a community string match for authentication.
SNMPv3	noAuthNoPriv	Username	No	Uses a username match for authentication.
SNMPv3	authNoPriv	Message Digest 5 (MD5) or Secure Hash Algorithm (SHA)	No	Provides authentication based on the HMAC-MD5 or HMAC-SHA algorithms.
SNMPv3	authPriv (requires the cryptographic software image)	MD5 or SHA	Data Encryption Standard (DES) or Advanced Encryption Standard (AES)	Provides authentication based on the HMAC-MD5 or HMAC-SHA algorithms.  Allows specifying the User-based Security Model (USM) with these encryption algorithms: <ul style="list-style-type: none"> <li>• DES 56-bit encryption in addition to authentication based on the CBC-DES (DES-56) standard.</li> <li>• 3DES 168-bit encryption</li> <li>• AES 128-bit, 192-bit, or 256-bit encryption</li> </ul>

You must configure the SNMP agent to use the SNMP version supported by the management station. Because an agent can communicate with multiple managers, you can configure the software to support communications using SNMPv1, SNMPv2C, or SNMPv3.

## SNMP Manager Functions

The SNMP manager uses information in the MIB to perform the operations described in Table 30-2.

**Table 30-2** *SNMP Operations*

Operation	Description
get-request	Retrieves a value from a specific variable.
get-next-request	Retrieves a value from a variable within a table. <sup>1</sup>
get-bulk-request <sup>2</sup>	Retrieves large blocks of data, such as multiple rows in a table, that would otherwise require the transmission of many small blocks of data.
get-response	Replies to a get-request, get-next-request, and set-request sent by an NMS.

Table 30-2 SNMP Operations (continued)

Operation	Description
set-request	Stores a value in a specific variable.
trap	An unsolicited message sent by an SNMP agent to an SNMP manager when some event has occurred.

1. With this operation, an SNMP manager does not need to know the exact variable name. A sequential search is performed to find the needed variable from within a table.
2. The **get-bulk** command only works with SNMPv2 or later.

## SNMP Agent Functions

The SNMP agent responds to SNMP manager requests as follows:

- Get a MIB variable—The SNMP agent begins this function in response to a request from the NMS. The agent retrieves the value of the requested MIB variable and responds to the NMS with that value.
- Set a MIB variable—The SNMP agent begins this function in response to a message from the NMS. The SNMP agent changes the value of the MIB variable to the value requested by the NMS.

The SNMP agent also sends unsolicited trap messages to notify an NMS that a significant event has occurred on the agent. Examples of trap conditions include, but are not limited to, when a port or module goes up or down, when spanning-tree topology changes occur, and when authentication failures occur.

## SNMP Community Strings

SNMP community strings authenticate access to MIB objects and function as embedded passwords. In order for the NMS to access the switch, the community string definitions on the NMS must match at least one of the three community string definitions on the switch.

A community string can have one of these attributes:

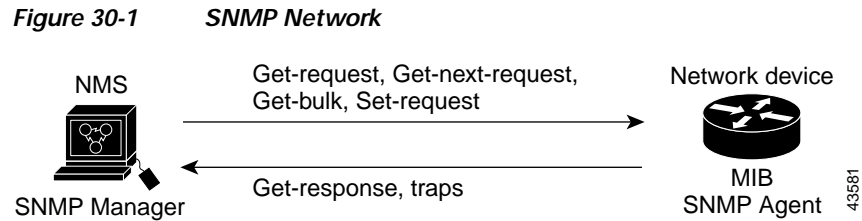
- Read-only (RO)—Gives read access to authorized management stations to all objects in the MIB except the community strings, but does not allow write access
- Read-write (RW)—Gives read and write access to authorized management stations to all objects in the MIB, but does not allow access to the community strings

## Using SNMP to Access MIB Variables

An example of an NMS is the CiscoWorks network management software. CiscoWorks 2000 software uses the switch MIB variables to set device variables and to poll devices on the network for specific information. The results of a poll can be displayed as a graph and analyzed to troubleshoot internetworking problems, increase network performance, verify the configuration of devices, monitor traffic loads, and more.

As shown in [Figure 30-1](#), the SNMP agent gathers data from the MIB. The agent can send traps, or notification of certain events, to the SNMP manager, which receives and processes the traps. Traps alert the SNMP manager to a condition on the network such as improper user authentication, restarts, link status (up or down), MAC address tracking, and so forth. The SNMP agent also responds to MIB-related queries sent by the SNMP manager in *get-request*, *get-next-request*, and *set-request* format.





For information on supported MIBs and how to access them, see [Appendix A, “Supported MIBs.”](#)

## SNMP Notifications

SNMP allows the switch to send notifications to SNMP managers when particular events occur. SNMP notifications can be sent as traps or inform requests. In command syntax, unless there is an option in the command to select either traps or informs, the keyword *traps* refers to either traps or informs, or both. Use the **snmp-server host** command to specify whether to send SNMP notifications as traps or informs.



**Note**

SNMPv1 does not support informs.

Traps are unreliable because the receiver does not send an acknowledgment when it receives a trap, and the sender cannot determine if the trap was received. When an SNMP manager receives an inform request, it acknowledges the message with an SNMP response protocol data unit (PDU). If the sender does not receive a response, the inform request can be sent again. Because they can be re-sent, informs are more likely than traps to reach their intended destination.

The characteristics that make informs more reliable than traps also consume more resources in the switch and in the network. Unlike a trap, which is discarded as soon as it is sent, an inform request is held in memory until a response is received or the request times out. Traps are sent only once, but an inform might be re-sent or retried several times. The retries increase traffic and contribute to a higher overhead on the network. Therefore, traps and informs require a trade-off between reliability and resources. If it is important that the SNMP manager receive every notification, use inform requests. If traffic on the network or memory in the switch is a concern and notification is not required, use traps.

## SNMP ifIndex MIB Object Values

In an NMS, the IF-MIB generates and assigns an interface index (ifIndex) object value that is a unique number greater than zero to identify a physical or a logical interface. When the switch reboots or the switch software is upgraded, the switch uses this same value for the interface. For example, if the switch assigns a port 2 an ifIndex value of 10003, this value is the same after the switch reboots.

The switch uses one of the values in [Table 30-3](#) to assign an ifIndex value to an interface:

**Table 30-3 ifIndex Values**

Interface Type	ifIndex Range
SVI <sup>1</sup>	1–4999
EtherChannel	5000–5012
Loopback	5013–5077

Table 30-3 *ifIndex Values*

Interface Type	ifIndex Range
Tunnel	5078–5142
Physical (such as Gigabit Ethernet or SFP <sup>2</sup> -module interfaces)	10000–14500
Null	14501

1. SVI = switch virtual interface
2. SFP = small form-factor pluggable

**Note**

The switch might not use sequential values within a range.

## MIB Data Collection and Transfer

To configure periodic transfer MIB data from a device to a specified NMS, you group data from multiple MIBs into list and configure a polling interval. All MIB objects in the list are polled at the specified interval, and the data is transferred to the specified NMS at a configured transfer interval. The periodic data collection and transfer mechanism is referred to as the *bulk-statistics* feature.

To configure bulk statistics, you use a bulk-statistics object list to specify the SNMP object types to be monitored and a bulk-statistics schema to specify the instances of the objects to be collected. You can specify MIBs, MIB tables, MIB objects, and object indices by using a series of object identifiers (OIDs).

- A bulk-statistics object list is a user-specified set of MIB objects that share the same MIB index identified by a user-specified name.
- A bulk-statistics schema is identified by a user-specified name and includes the name of the object list, the instance to be retrieved for objects in the object list, and the polling interval.

After you configure the data to be collected, a single virtual bulk-statistics file is created with all the collected data. You can specify how the file is transferred to the NMS (FTP, RCP, or TFTP), how often the file is transferred (the default is 30 minutes), and a secondary destination if the primary NMS is not available. The transfer-interval time is also the collection-interval time. After the collection interval ends, the bulk-statistics file is frozen, and a new local bulk-statistics file is created to store new data. The frozen file is transferred to the specified destination and then deleted (unless you configure the device to keep the file in memory for a specified time period). You can configure the switch to send an SNMP notification to the NMS if a transfer is not successful and to enter a syslog message on the local device.

## Configuring SNMP

- [Default SNMP Configuration, page 30-7](#)
- [SNMP Configuration Guidelines, page 30-7](#)
- [Disabling the SNMP Agent, page 30-8](#)
- [Configuring Community Strings, page 30-8](#)
- [Configuring SNMP Groups and Users, page 30-10](#)
- [Configuring SNMP Notifications, page 30-12](#)
- [Setting the Agent Contact and Location Information, page 30-17](#)

- [Limiting TFTP Servers Used Through SNMP, page 30-17](#)
- [Configuring MIB Data Collection and Transfer, page 30-18](#)
- [Configuring the Cisco Process MIB CPU Threshold Table, page 30-20](#)
- [Configuring MIB Data Collection and Transfer, page 30-18](#)

## Default SNMP Configuration

**Table 30-4** Default SNMP Configuration

Feature	Default Setting
SNMP agent	Disabled <sup>1</sup> .
SNMP trap receiver	None configured.
SNMP traps	None enabled except the trap for TCP connections ( <b>tty</b> ).
SNMP version	If no <b>version</b> keyword is present, the default is Version 1.
SNMPv3 authentication	If no keyword is entered, the default is the <b>noauth</b> (noAuthNoPriv) security level.
SNMP notification type	If no type is specified, all notifications are sent.

1. This is the default at switch startup when the startup configuration does not have any **snmp-server** global configuration commands.

## SNMP Configuration Guidelines

If the switch starts and the switch startup configuration has at least one **snmp-server** global configuration command, the SNMP agent is enabled.

An SNMP *group* is a table that maps SNMP users to SNMP views. An SNMP *user* is a member of an SNMP group. An SNMP *host* is the recipient of an SNMP trap operation. An SNMP *engine ID* is a name for the local or remote SNMP engine.

When configuring SNMP, follow these guidelines:

- When configuring an SNMP group, do not specify a notify view. The **snmp-server host** global configuration command autogenerates a notify view for the user and then adds it to the group associated with that user. Modifying the group's notify view affects all users associated with that group. See the *Cisco IOS Configuration Fundamentals Command Reference* for information about when you should configure notify views.
- To configure a remote user, specify the IP address or port number for the remote SNMP agent of the device where the user resides.
- Before you configure remote users for a particular agent, configure the SNMP engine ID, using the **snmp-server engineID** global configuration with the **remote** option. The remote agent's SNMP engine ID and user password are used to compute the authentication and privacy digests. If you do not configure the remote engine ID first, the configuration command fails.
- When configuring SNMP informs, you need to configure the SNMP engine ID for the remote agent in the SNMP database before you can send proxy requests or informs to it.
- If a local user is not associated with a remote host, the switch does not send informs for the **auth** (authNoPriv) and the **priv** (authPriv) authentication levels.

- Changing the value of the SNMP engine ID has important side effects. A user's password (entered on the command line) is converted to an MD5 or SHA security digest based on the password and the local engine ID. The command-line password is then destroyed, as required by RFC 2274. Because of this deletion, if the value of the engine ID changes, the security digests of SNMPv3 users become invalid, and you need to reconfigure SNMP users by using the **snmp-server user *username*** global configuration command. Similar restrictions require the reconfiguration of community strings when the engine ID changes.

## Disabling the SNMP Agent

Beginning in privileged EXEC mode, follow these steps to disable the SNMP agent:

	Command	Purpose
Step 1	<b>configure terminal</b>	Enter global configuration mode.
Step 2	<b>no snmp-server</b>	Disable the SNMP agent operation.
Step 3	<b>end</b>	Return to privileged EXEC mode.
Step 4	<b>show running-config</b>	Verify your entries.
Step 5	<b>copy running-config startup-config</b>	(Optional) Save your entries in the configuration file.

The **no snmp-server** global configuration command disables all running versions (Version 1, Version 2C, and Version 3) on the device. No specific Cisco IOS command exists to enable SNMP. The first **snmp-server** global configuration command that you enter enables all versions of SNMP.

## Configuring Community Strings

You use the SNMP community string to define the relationship between the SNMP manager and the agent. The community string acts like a password to permit access to the agent on the switch. Optionally, you can specify one or more of these characteristics associated with the string:

- An access list of IP addresses of the SNMP managers that are permitted to use the community string to gain access to the agent
- A MIB view, which defines the subset of all MIB objects accessible to the given community
- Read and write or read-only permission for the MIB objects accessible to the community

Beginning in privileged EXEC mode, follow these steps to configure a community string on the switch:

	Command	Purpose
Step 1	<b>configure terminal</b>	Enter global configuration mode.
Step 2	<b>snmp-server community</b> <i>string</i> [ <b>view</b> <i>view-name</i> ] [ <b>ro</b>   <b>rw</b> ] [ <i>access-list-name or number</i> ]	Configure the community string. <b>Note</b> The @ symbol is used for delimiting the context information. Avoid using the @ symbol as part of the SNMP community string when configuring this command. <ul style="list-style-type: none"><li>• For <i>string</i>, specify a string that acts like a password and permits access to the SNMP protocol. You can configure one or more community strings of any length.</li><li>• (Optional) For <b>view</b>, specify the view record accessible to the community.</li><li>• (Optional) Specify either read-only (<b>ro</b>) if you want authorized management stations to retrieve MIB objects, or specify read-write (<b>rw</b>) if you want authorized management stations to retrieve and modify MIB objects. By default, the community string permits read-only access to all objects.</li><li>• (Optional) For <i>access-list-number</i>, enter an IP standard access list numbered from 1 to 99 and 1300 to 1999.</li></ul>
Step 3	<b>access-list</b> <i>access-list-number</i> { <b>deny</b> / <b>permit</b> } <i>source</i> [ <i>source-wildcard</i> ]	(Optional) If you specified an IP standard access list number in Step 2, then create the list, repeating the command as many times as necessary. <ul style="list-style-type: none"><li>• For <i>access-list-number</i>, enter the access list number specified in Step 2.</li><li>• The <b>deny</b> keyword denies access if the conditions are matched. The <b>permit</b> keyword permits access if the conditions are matched.</li><li>• For <i>source</i>, enter the IP address of the SNMP managers that are permitted to use the community string to gain access to the agent.</li><li>• (Optional) For <i>source-wildcard</i>, enter the wildcard bits in dotted decimal notation to be applied to the source. Place ones in the bit positions that you want to ignore.</li></ul> <p>Recall that the access list is always terminated by an implicit deny statement for everything.</p>
Step 4	<b>end</b>	Return to privileged EXEC mode.
Step 5	<b>show running-config</b>	Verify your entries.
Step 6	<b>copy running-config startup-config</b>	(Optional) Save your entries in the configuration file.



**Note** To disable access for an SNMP community, set the community string for that community to the null string (do not enter a value for the community string).

To remove a specific community string, use the **no snmp-server community** *string* global configuration command.

This example shows how to assign the string *comaccess* to SNMP, to allow read-only access, and to specify that IP access list 4 can use the community string to gain access to the switch SNMP agent:

```
Switch(config)# snmp-server community comaccess ro 4
```

## Configuring SNMP Groups and Users

You can specify an identification name (engine ID) for the local or remote SNMP server engine on the switch. You can configure an SNMP server group that maps SNMP users to SNMP views, and you can add new users to the SNMP group.

Beginning in privileged EXEC mode, follow these steps to configure SNMP on the switch:

	Command	Purpose
Step 1	<b>configure terminal</b>	Enter global configuration mode.
Step 2	<b>snmp-server engineID</b> { <b>local</b> <i>engineid-string</i>   <b>remote</b> <i>ip-address</i> [ <b>udp-port</b> <i>port-number</i> ] <i>engineid-string</i> }	Configure a name for either the local or remote copy of SNMP. <ul style="list-style-type: none"> <li>The <i>engineid-string</i> is a 24-character ID string with the name of the copy of SNMP. You need not specify the entire 24-character engine ID if it has trailing zeros. Specify only the portion of the engine ID up to the point where only zeros remain in the value. For example, to configure an engine ID of 123400000000000000000000, you can enter this: <b>snmp-server engineID local 1234</b></li> <li>If you select <b>remote</b>, specify the <i>ip-address</i> of the device that contains the remote copy of SNMP and the optional User Datagram Protocol (UDP) port to use for storing data on the remote device. The default is 162.</li> </ul>

Command	Purpose
Step 3 <b>snmp-server group</b> <i>groupname</i> { <b>v1</b> / <b>v2c</b>   <b>v3</b> { <b>auth</b>   <b>noauth</b>   <b>priv</b> } } [ <b>read</b> <i>readview</i> ] [ <b>write</b> <i>writeview</i> ] [ <b>notify</b> <i>notifyview</i> ] [ <b>access</b> <i>access-list</i> ]	<p>Configure a new SNMP group on the remote device.</p> <ul style="list-style-type: none"> <li>• For <i>groupname</i>, specify the name of the group.</li> <li>• Specify a security model:             <ul style="list-style-type: none"> <li>– <b>v1</b> is the least secure of the possible security models.</li> <li>– <b>v2c</b> is the second least secure model. It allows transmission of informs and integers twice the normal width.</li> <li>– <b>v3</b>, the most secure, requires you to select an authentication level:                 <ul style="list-style-type: none"> <li><b>auth</b>—Enables the Message Digest 5 (MD5) and the Secure Hash Algorithm (SHA) packet authentication.</li> <li><b>noauth</b>—Enables the noAuthNoPriv security level. This is the default if no keyword is specified.</li> <li><b>priv</b>—Enables Data Encryption Standard (DES) packet encryption (also called <i>privacy</i>).</li> </ul> </li> </ul> </li> </ul> <p><b>Note</b> The <b>priv</b> keyword is available only when the cryptographic software image is installed.</p> <ul style="list-style-type: none"> <li>• (Optional) Enter <b>read</b> <i>readview</i> with a string (not to exceed 64 characters) that is the name of the view in which you can only view the contents of the agent.</li> <li>• (Optional) Enter <b>write</b> <i>writeview</i> with a string (not to exceed 64 characters) that is the name of the view in which you enter data and configure the contents of the agent.</li> <li>• (Optional) Enter <b>notify</b> <i>notifyview</i> with a string (not to exceed 64 characters) that is the name of the view in which you specify a notify, inform, or trap.</li> <li>• (Optional) Enter <b>access</b> <i>access-list</i> with a string (not to exceed 64 characters) that is the name of the access list.</li> </ul>

	Command	Purpose
Step 4	<pre>snmp-server user username groupname {remote host [udp-port port]} {v1 [access access-list] / v2c [access access-list]   v3 [encrypted] [access access-list] [auth {md5   sha} auth-password]} [priv {des   3des   aes {128   192   256}} priv-password]</pre>	<p>Add a new user for an SNMP group.</p> <ul style="list-style-type: none"> <li>The <i>username</i> is the name of the user on the host that connects to the agent.</li> <li>The <i>groupname</i> is the name of the group to which the user is associated.</li> <li>Enter <b>remote</b> to specify a remote SNMP entity to which the user belongs and the hostname or IP address of that entity with the optional UDP port number. The default is 162.</li> <li>Enter the SNMP version number (<b>v1</b>, <b>v2c</b>, or <b>v3</b>). If you enter <b>v3</b>, you have these additional options: <ul style="list-style-type: none"> <li><b>encrypted</b> specifies that the password appears in encrypted format. This keyword is available only when the <b>v3</b> keyword is specified.</li> <li><b>auth</b> is an authentication level setting session that can be either the HMAC-MD5-96 (<b>md5</b>) or the HMAC-SHA-96 (<b>sha</b>) authentication level and requires a password string <i>auth-password</i> (not to exceed 64 characters).</li> </ul> </li> <li>If you enter <b>v3</b> and the switch is running the cryptographic software image, you can also configure a private (<b>priv</b>) encryption algorithm and password string <i>priv-password</i> (not to exceed 64 characters). <ul style="list-style-type: none"> <li><b>priv</b> specifies the User-based Security Model (USM).</li> <li><b>des</b> specifies the use of the 56-bit DES algorithm.</li> <li><b>3des</b> specifies the use of the 168-bit DES algorithm.</li> <li><b>aes</b> specifies the use of the DES algorithm. You must select either 128-bit, 192-bit, or 256-bit encryption.</li> </ul> </li> <li>(Optional) Enter <b>access access-list</b> with a string (not to exceed 64 characters) that is the name of the access list.</li> </ul>
Step 5	<b>end</b>	Return to privileged EXEC mode.
Step 6	<b>show running-config</b>	<p>Verify your entries.</p> <p><b>Note</b> To display SNMPv3 information about <b>auth</b>   <b>noauth</b>   <b>priv</b> mode configuration, you must enter the <b>show snmp user</b> privileged EXEC command.</p>
Step 7	<b>copy running-config startup-config</b>	(Optional) Save your entries in the configuration file.

## Configuring SNMP Notifications

A trap manager is a management station that receives and processes traps. Traps are system alerts that the switch generates when certain events occur. By default, no trap manager is defined, and no traps are sent. Switches can have an unlimited number of trap managers.



**Note**

Many commands use the word *traps* in the command syntax. Unless there is an option in the command to select either traps or informs, the keyword **traps** refers to traps, informs, or both. Use the **snmp-server host** global configuration command to specify whether to send SNMP notifications as traps or informs.

Table 30-5 describes the supported switch traps (notification types). You can enable any or all of these traps and configure a trap manager to receive them.

**Table 30-5** Switch Notification Types

Notification Type Keyword	Description
<b>bgp</b>	Generates Border Gateway Protocol (BGP) state change traps. This option is only available when the metro IP access image is installed.
<b>bridge</b>	Generates STP bridge MIB traps.
<b>bulkstat collection transfer</b>	Generates a trap when an unsuccessful data collection or data transfer occurs or when the bulkstats file reaches the maximum size.
<b>config</b>	Generates a trap for SNMP configuration changes.
<b>copy-config</b>	Generates a trap for SNMP copy configuration changes.
<b>cpu threshold</b>	Generates a trap for CPU threshold violations.
<b>entity</b>	Generates a trap for SNMP entity changes.
<b>envmon</b>	Generates environmental monitor traps. You can enable any or all of these environmental traps: fan, shutdown, status, supply, temperature.
<b>ethernet</b>	Generates an SNMP Ethernet trap.
<b>flash</b>	Generates SNMP FLASH notifications.
<b>hsrp</b>	Generates a trap for Hot Standby Router Protocol (HSRP) changes.
<b>ipmulticast</b>	Generates a trap for IP multicast routing changes.
<b>mac-notification</b>	Generates a trap for MAC address notifications.
<b>msdp</b>	Generates a trap for Multicast Source Discovery Protocol (MSDP) changes.
<b>ospf</b>	Generates a trap for Open Shortest Path First (OSPF) changes. You can enable any or all of these traps: Cisco specific, errors, link-state advertisement, rate limit, retransmit, and state changes.
<b>pim</b>	Generates a trap for Protocol-Independent Multicast (PIM) changes. You can enable any or all of these traps: invalid PIM messages, neighbor changes, and rendezvous point (RP)-mapping changes.
<b>port-security</b>	<p>Generates SNMP port security traps. You can also set a maximum trap rate per second. The range is from 0 to 1000; the default is 0, which means that there is no rate limit.</p> <p><b>Note</b> When you configure a trap by using the notification type <b>port-security</b>, configure the port security trap first, and then configure the port security trap rate:</p> <ul style="list-style-type: none"> <li>• <b>snmp-server enable traps port-security</b></li> <li>• <b>snmp-server enable traps port-security trap-rate rate</b></li> </ul>
<b>rtr</b>	Generates a trap for the SNMP Response Time Reporter (RTR).
<b>snmp</b>	Generates a trap for SNMP-type notifications for authentication, cold start, warm start, link up or link down.

Table 30-5 Switch Notification Types (continued)

Notification Type Keyword	Description
<b>storm-control</b>	Generates a trap for SNMP storm-control. You can also set a maximum trap rate per minute. The range is from 0 to 1000; the default is 0 (no limit is imposed; a trap is sent at every occurrence).
<b>stpx</b>	Generates SNMP STP Extended MIB traps.
<b>syslog</b>	Generates SNMP syslog traps.
<b>tty</b>	Generates a trap for TCP connections. This trap is enabled by default.
<b>vlan-membership</b>	Generates a trap for SNMP VLAN membership changes.
<b>vlancreate</b>	Generates SNMP VLAN created traps.
<b>vlandelete</b>	Generates SNMP VLAN deleted traps.

**Note**

Though visible in the command-line help strings, the **flash insertion**, **flash removal**, **fru-ctrl**, and **vtp** keywords are not supported. The **snmp-server enable informs** global configuration command is not supported. To enable the sending of SNMP inform notifications, use the **snmp-server enable traps** global configuration command combined with the **snmp-server host host-addr informs** global configuration command.

You can use the **snmp-server host** global configuration command to a specific host to receive the notification types listed in [Table 30-5](#).

Beginning in privileged EXEC mode, follow these steps to configure the switch to send traps or informs to a host:

	Command	Purpose
Step 1	<b>configure terminal</b>	Enter global configuration mode.
Step 2	<b>snmp-server engineID remote</b> <i>ip-address engineid-string</i>	Specify the engine ID for the remote host.
Step 3	<b>snmp-server user</b> <i>username</i> <i>groupname</i> { <b>remote host</b> [ <b>udp-port</b> <i>port</i> ]} { <b>v1</b> [ <b>access</b> <i>access-list</i> ] / <b>v2c</b> [ <b>access</b> <i>access-list</i> ]   <b>v3</b> [ <b>encrypted</b> ] [ <b>access</b> <i>access-list</i> ] [ <b>auth</b> { <b>md5</b>   <b>sha</b> } <i>auth-password</i> ]}	Configure an SNMP user to be associated with the remote host created in Step 2.  <b>Note</b> You cannot configure a remote user for an address without first configuring the engine ID for the remote host. Otherwise, you receive an error message, and the command is not executed.
Step 4	<b>snmp-server group</b> <i>groupname</i> { <b>v1</b> / <b>v2c</b>   <b>v3</b> { <b>auth</b>   <b>noauth</b>   <b>priv</b> }} [ <b>read</b> <i>readview</i> ] [ <b>write</b> <i>writeview</i> ] [ <b>notify</b> <i>notifyview</i> ] [ <b>access</b> <i>access-list</i> ]	Configure an SNMP group.

	Command	Purpose
Step 5	<b>snmp-server host</b> <i>host-addr</i> [informs   traps] [version {1 / 2c   3 {auth   noauth   priv}}] <i>community-string</i> [notification-type]	Specify the recipient of an SNMP trap operation. <ul style="list-style-type: none"> <li>• For <i>host-addr</i>, specify the name or Internet address of the host (the targeted recipient).</li> <li>• (Optional) Enter <b>informs</b> to send SNMP informs to the host.</li> <li>• (Optional) Enter <b>traps</b> (the default) to send SNMP traps to the host.</li> <li>• (Optional) Specify the SNMP <b>version (1, 2c, or 3)</b>. SNMPv1 does not support informs.</li> <li>• (Optional) For Version 3, select authentication level <b>auth</b>, <b>noauth</b>, or <b>priv</b>.</li> </ul> <p><b>Note</b> The <b>priv</b> keyword is available only when the cryptographic software image is installed.</p> <ul style="list-style-type: none"> <li>• For <i>community-string</i>, when <b>version 1</b> or <b>version 2c</b> is specified, enter the password-like community string sent with the notification operation. When <b>version 3</b> is specified, enter the SNMPv3 username.</li> </ul> <p><b>Note</b> The @ symbol is used for delimiting the context information. Avoid using the @ symbol as part of the SNMP community string when configuring this command.</p> <ul style="list-style-type: none"> <li>• (Optional) For <i>notification-type</i>, use the keywords listed in <a href="#">Table 30-5 on page 30-13</a>. If no type is specified, all notifications are sent.</li> </ul>
Step 6	<b>snmp-server enable traps</b> <i>notification-types</i>	Enable the switch to send traps or informs and specify the type of notifications to be sent. For a list of notification types, see <a href="#">Table 30-5 on page 30-13</a> , or enter <b>snmp-server enable traps ?</b> To enable multiple types of traps, you must enter a separate <b>snmp-server enable traps</b> command for each trap type. <p><b>Note</b> When you configure a trap by using the notification type <b>port-security</b>, configure the port security trap first, and then configure the port security trap rate:</p> <ul style="list-style-type: none"> <li>• <b>snmp-server enable traps port-security</b></li> <li>• <b>snmp-server enable traps port-security trap-rate</b> <i>rate</i></li> </ul>
Step 7	<b>snmp-server trap-source</b> <i>interface-id</i>	(Optional) Specify the source interface, which provides the IP address for the trap message. This command also sets the source IP address for informs.
Step 8	<b>snmp-server queue-length</b> <i>length</i>	(Optional) Establish the message queue length for each trap host. The range is 1 to 1000; the default is 10.
Step 9	<b>snmp-server trap-timeout</b> <i>seconds</i>	(Optional) Define how often to resend trap messages. The range is 1 to 1000; the default is 30 seconds.
Step 10	<b>end</b>	Return to privileged EXEC mode.
Step 11	<b>show running-config</b>	Verify your entries.
Step 12	<b>copy running-config startup-config</b>	(Optional) Save your entries in the configuration file.

The **snmp-server host** command specifies which hosts receive the notifications. The **snmp-server enable trap** command globally enables the mechanism for the specified notification (for traps and informs). To enable a host to receive an inform, you must configure an **snmp-server host informs** command for the host and globally enable informs by using the **snmp-server enable traps** command.

To remove the specified host from receiving traps, use the **no snmp-server host host** global configuration command. The **no snmp-server host** command with no keywords disables traps, but not informs, to the host. To disable informs, use the **no snmp-server host informs** global configuration command. To disable a specific trap type, use the **no snmp-server enable traps notification-types** global configuration command.

## Setting the CPU Threshold Notification Types and Values

Beginning in privileged EXEC mode, follow these steps to set the CPU threshold notification types and values:

	Command	Purpose
Step 1	<b>configure terminal</b>	Enter global configuration mode.
Step 2	<b>process cpu threshold type {total   process   interrupt} rising percentage interval seconds [falling fall-percentage interval seconds]</b>	Set the CPU threshold notification types and values: <ul style="list-style-type: none"> <li>• <b>total</b>—set the notification type to total CPU utilization.</li> <li>• <b>process</b>—set the notification type to CPU process utilization.</li> <li>• <b>interrupt</b>—set the notification type to CPU interrupt utilization.</li> <li>• <b>rising percentage</b>—the percentage (1 to 100) of CPU resources that, when exceeded for the configured interval, sends a CPU threshold notification.</li> <li>• <b>interval seconds</b>—the duration of the CPU threshold violation in seconds (5 to 86400) that, when met, sends a CPU threshold notification.</li> <li>• <b>falling fall-percentage</b>—the percentage (1 to 100) of CPU resources that, when usage falls below this level for the configured interval, sends a CPU threshold notification.</li> </ul> This value must be equal to or less than the <b>rising percentage</b> value. If not specified, the <b>falling fall-percentage</b> value is the same as the <b>rising percentage</b> value.
Step 3	<b>end</b>	Return to privileged EXEC mode.
Step 4	<b>show running-config</b>	Verify your entries.  <b>Note</b> To display SNMPv3 information about <b>auth   noauth   priv</b> mode configuration, you must enter the <b>show snmp user</b> privileged EXEC command.
Step 5	<b>copy running-config startup-config</b>	(Optional) Save your entries in the configuration file.

## Setting the Agent Contact and Location Information

Beginning in privileged EXEC mode, follow these steps to set the system contact and location of the SNMP agent so that these descriptions can be accessed through the configuration file:

	Command	Purpose
Step 1	<b>configure terminal</b>	Enter global configuration mode.
Step 2	<b>snmp-server contact</b> <i>text</i>	Set the system contact string.  For example: <b>snmp-server contact Dial System Operator at beeper 21555.</b>
Step 3	<b>snmp-server location</b> <i>text</i>	Set the system location string.  For example: <b>snmp-server location Building 3/Room 222</b>
Step 4	<b>end</b>	Return to privileged EXEC mode.
Step 5	<b>show running-config</b>	Verify your entries.
Step 6	<b>copy running-config startup-config</b>	(Optional) Save your entries in the configuration file.

## Limiting TFTP Servers Used Through SNMP

Beginning in privileged EXEC mode, follow these steps to limit the TFTP servers used for saving and loading configuration files through SNMP to the servers specified in an access list:

	Command	Purpose
Step 1	<b>configure terminal</b>	Enter global configuration mode.
Step 2	<b>snmp-server tftp-server-list</b> <i>access-list-number</i>	Limit TFTP servers used for configuration file copies through SNMP to the servers in the access list.  For <i>access-list-number</i> , enter an IP standard access list numbered from 1 to 99 and 1300 to 1999.
Step 3	<b>access-list</b> <i>access-list-number</i> { <b>deny</b> / <b>permit</b> } <i>source</i> [ <i>source-wildcard</i> ]	Create a standard access list, repeating the command as many times as necessary. <ul style="list-style-type: none"> <li>For <i>access-list-number</i>, enter the access list number specified in Step 2.</li> <li>The <b>deny</b> keyword denies access if the conditions are matched. The <b>permit</b> keyword permits access if the conditions are matched.</li> <li>For <i>source</i>, enter the IP address of the TFTP servers that can access the switch.</li> <li>(Optional) For <i>source-wildcard</i>, enter the wildcard bits, in dotted decimal notation, to be applied to the source. Place ones in the bit positions that you want to ignore.</li> </ul> Recall that the access list is always terminated by an implicit deny statement for everything.

	Command	Purpose
Step 4	<b>end</b>	Return to privileged EXEC mode.
Step 5	<b>show running-config</b>	Verify your entries.
Step 6	<b>copy running-config startup-config</b>	(Optional) Save your entries in the configuration file.

## Configuring MIB Data Collection and Transfer

Beginning in privileged EXEC mode, follow these steps to configure a bulk-statistics object list and schema options:

	Command	Purpose
Step 1	<b>configure terminal</b>	Enter global configuration mode.
Step 2	<b>snmp mib bulkstat object-list</b> <i>list-name</i>	Define an SNMP bulk-statistics object list, and enter bulk-statistics object-list configuration mode.
Step 3	<b>add</b> { <i>object-name</i>   <i>oid</i> }	<p>Add a MIB object to the bulk-statistics object list.</p> <ul style="list-style-type: none"> <li>For <i>object-name</i>, enter the name of the MIB object to add to the list. You can enter only object names from the Interfaces MIB or the Cisco Committed Access Rate MIB.</li> <li>For <i>oid</i>, enter the Object ID of the MIB object to add to the list.</li> </ul> <p>All the objects in an object-list must be in the same MIB index, but the objects need not belong to the same MIB table. Repeat the command until all objects to be monitored are added.</p>
Step 4	<b>exit</b>	Return to global configuration mode.
Step 5	<b>snmp mib bulkstat schema</b> <i>schema-name</i>	Name the SNMP bulk statistics schema, and enter bulk-statistics schema configuration mode.
Step 6	<b>object-list</b> <i>list-name</i>	Specify the bulk-statistics object list to be included in this schema. Specify only one object list per schema. If multiple <b>object-list</b> commands are entered, the most recent command overwrites the previous command.
Step 7	<b>instance</b> { <b>exact</b>   <b>wild</b> } { <b>interface</b> <i>interface-id</i>   <b>oid</b> <i>oid</i> }	<p>Specify the instance information for objects in this schema. Enter only one <b>instance</b> command per schema. If multiple <b>instance</b> commands are entered, the most recent command overwrites the previous command.</p> <ul style="list-style-type: none"> <li>Enter <b>exact</b> when the specified instance appended to the object list is the complete OID.</li> <li>Enter <b>wild</b> when all subindices of the specified OID belong to the schema.</li> <li>Enter an <b>interface</b> <i>interface-id</i> to specify an interface ID instead of an instance OID.</li> <li>Enter <b>oid</b> <i>oid</i> to specify an instance OID for the schema.</li> </ul>
Step 8	<b>poll interval</b> <i>interval</i>	Set the time interval in minutes for collection of data from the object instances specified in the schema. The range is from 1 to 20000 minutes; the default is 5 minutes.

	Command	Purpose
Step 9	<b>end</b>	Return to privileged EXEC mode.
Step 10	<b>copy running-config startup-config</b>	(Optional) Save your entries in the configuration file.

This example configures a bulk-statistics object list and schema:

```
Switch(config)# snmp mib bulkstat object-list ifMIB
Switch(config-bulk-objects)# add 1.3.6.1.2.1.2.1.2.2.1.11
Switch(config-bulk-objects)# add ifName
Switch(config-bulk-objects)# exit
Switch(config)# snmp mib bulkstat schema testschema
Switch(config-bulk-sc)# object-list ifMIB
Switch(config-bulk-sc)# instance wild oil 1
Switch(config-bulk-sc)# poll-interval 1
Switch(config-bulk-sc)# exit
```

Beginning in privileged EXEC mode, follow these steps to configure bulk-statistics transfer options:

	Command	Purpose
Step 1	<b>configure terminal</b>	Enter global configuration mode.
Step 2	<b>snmp mib bulkstat transfer <i>transfer-id</i></b>	Identify the transfer configuration with a name, and enter bulk-statistics transfer configuration mode.
Step 3	<b>buffer-size <i>bytes</i></b>	(Optional) Specify the maximum size for the bulk-statistics data file in bytes. The range is from 1024 to 2147483647 bytes; the default is 2048 bytes.
Step 4	<b>format {<i>bulkBinary</i>   <i>bulkASCII</i>   <i>schemaASCII</i>}</b>	(Optional) Specify the format of the bulk-statistics data file. The default is <b>schemaASCII</b> .
Step 5	<b>schema <i>schema-name</i></b>	Specify the bulk-statistics schema to be transferred. Repeat this command for as many schemas as desired. You can associate multiple schemas with a transfer configuration.
Step 6	<b>transfer-interval <i>minutes</i></b>	(Optional) Specify the length of time that the system should collect MIB data before attempting the transfer operation. The valid range is from 1 to 2147483647 minutes; the default is 30 minutes. The transfer interval is the same as the collection interval.
Step 7	<b>url primary <i>URL</i></b>	Specify the NMS (host) that the bulk-statistics file should be transferred to and the protocol to use for transfer (FTP, RCP, or TFTP). You also can optionally enter the <b>url secondary</b> command to specify a backup transfer destination.
Step 8	<b>retry <i>number</i></b>	(Optional) Specify the number of transmission retries. The range is from 1 to 100; the default is 0 (no retries).
Step 9	<b>retain <i>minutes</i></b>	(Optional) Specify how long the bulk-statistics file should be kept in system memory. The valid range is 0 to 20000 minutes; the default is 0 (the file is deleted immediately after a successful transfer).
Step 10	<b>enable</b>	Begin the bulk-statistics data collection and transfer process for this configuration. You must enter this command to start periodic collection and transfer.
Step 11	<b>end</b>	Return to privileged EXEC mode.

	Command	Purpose
Step 12	<b>show mib bulk transfer</b>	Verify your entries.
Step 13	<b>copy running-config startup-config</b>	(Optional) Save your entries in the configuration file.

Enter the **no enable** bulk statistics transfer configuration mode command to stop the collection process. Enter the **enable** command again to restart the operation. Every time you restart the process with the **enable** command, data is collected in a new bulk-statistics file.

This is an example of configuring the bulk-statistics transfer and enabling the collection process:

```
Switch(config)# snmp mib bulkstat transfer testtransfer
Switch(config-bulk-tr)# format schemaASCII
Switch(config-bulk-tr)# buffer-size 2147483647
Switch(config-bulk-tr)# schema testschema1
Switch(config-bulk-tr)# schema testschema2
Switch(config-bulk-tr)# transfer-interval 1
Switch(config-bulk-tr)# url primary tftp://host/folder/bulkstat1
Switch(config-bulk-tr)# retain 20
Switch(config-bulk-tr)# retry 2
Switch(config-bulk-tr)# enable
Switch(config-bulk-tr)# exit
```

Enter the **show snmp mib bulk transfer** privileged EXEC command to view the configured transfer operation.

## Configuring the Cisco Process MIB CPU Threshold Table

You can use the CLI to configure the Cisco Process MIB CPU threshold table.



### Note

For commands for configuring the Cisco Process MIB CPU threshold table, see the *Cisco IOS Commands Master List, Release 12.4*, at this URL at this URL:

[http://www.cisco.com/en/US/products/ps6350/products\\_product\\_indices\\_list.html](http://www.cisco.com/en/US/products/ps6350/products_product_indices_list.html)

Beginning in privileged EXEC mode, follow these steps to configure a CPU threshold table:

	Command	Purpose
Step 1	<b>configure terminal</b>	Enter global configuration mode.
Step 2	<b>process cpu statistics limit entry-percentage number [size seconds]</b>	Set the process entry limit and the size of the history table for CPU utilization statistics. <ul style="list-style-type: none"> <li>For <b>entry-percentage number</b>, enter the percentage (1 to 100) of CPU utilization that a process must use to become part of the history table.</li> <li>(Optional) For <b>size seconds</b>, set the duration of time in seconds for which CPU statistics are stored in the history table. The range is from 5 to 86400 seconds; the default is 600.</li> </ul>



	Command	Purpose
Step 3	<b>process cpu threshold type</b> { <b>total</b>   <b>process</b>   <b>interrupt</b> } <b>rising percentage interval seconds</b> [ <b>falling percentage interval seconds</b> ]	Set CPU threshold notification types and values. <ul style="list-style-type: none"> <li>Set the <b>threshold type</b> to <b>total</b> CPU utilization, CPU <b>process</b> utilization, or CPU <b>interrupt</b> utilization.</li> <li>For <b>rising percentage</b>, enter the percentage (1 to 100) of CPU resources that triggers a CPU threshold notification when exceeded.</li> <li>For <b>interval seconds</b>, enter the duration of the CPU threshold violation in seconds (5 to 86400) that must be met to trigger a CPU threshold notification. The default is 5 seconds.</li> <li>(Optional) Set a <b>falling percentage interval seconds</b> that, when usage falls below this level for the configured interval, triggers a CPU threshold notification. The percentage must be equal to or less than the rising percentage. The default is for the falling percentage to be the same value as the rising percentage.</li> </ul>
Step 4	<b>end</b>	Return to privileged EXEC mode.
Step 5	<b>copy running-config startup-config</b>	(Optional) Save your entries in the configuration file.

## SNMP Examples

This example shows how to enable all versions of SNMP. The configuration permits any SNMP manager to access all objects with read-only permissions using the community string *public*. This configuration does not cause the switch to send any traps.

```
Switch(config)# snmp-server community public
```

This example shows how to permit any SNMP manager to access all objects with read-only permission using the community string *public*. The switch also sends MAC notification traps to the hosts 192.180.1.111 and 192.180.1.33 using SNMPv1 and to the host 192.180.1.27 using SNMPv2C. The community string *public* is sent with the traps.

```
Switch(config)# snmp-server community public
Switch(config)# snmp-server enable traps mac-notification
Switch(config)# snmp-server host 192.180.1.27 version 2c public
Switch(config)# snmp-server host 192.180.1.111 version 1 public
Switch(config)# snmp-server host 192.180.1.33 public
```

This example shows how to allow read-only access for all objects to members of access list 4 that use the *comaccess* community string. No other SNMP managers have access to any objects. SNMP Authentication Failure traps are sent by SNMPv2C to the host *cisco.com* using the community string *public*.

```
Switch(config)# snmp-server community comaccess ro 4
Switch(config)# snmp-server enable traps snmp authentication
Switch(config)# snmp-server host cisco.com version 2c public
```

This example shows how to send Entity MIB traps to the host *cisco.com*. The community string is restricted. The first line enables the switch to send Entity MIB traps in addition to any traps previously enabled. The second line specifies the destination of these traps and overwrites any previous **snmp-server host** commands for the host *cisco.com*.

```
Switch(config)# snmp-server enable traps entity
Switch(config)# snmp-server host cisco.com restricted entity
```

This example shows how to enable the switch to send all traps to the host *myhost.cisco.com* using the community string *public*:

```
Switch(config)# snmp-server enable traps
Switch(config)# snmp-server host myhost.cisco.com public
```

This example shows how to associate a user with a remote host and to send **auth** (authNoPriv) authentication-level informs when the user enters global configuration mode:

```
Switch(config)# snmp-server engineID remote 192.180.1.27 00000063000100a1c0b4011b
Switch(config)# snmp-server group authgroup v3 auth
Switch(config)# snmp-server user authuser authgroup remote 192.180.1.27 v3 auth md5
mypassword
Switch(config)# snmp-server user authuser authgroup v3 auth md5 mypassword
Switch(config)# snmp-server host 192.180.1.27 informs version 3 auth authuser config
Switch(config)# snmp-server enable traps
Switch(config)# snmp-server inform retries 0
```

This example shows how to enable SNMP notifications to provide information on the transfer status of the periodic MIB data collection and transfer mechanism (bulk statistics):

```
Switch(config)# snmp-server enable traps bulkstat
Switch(config)# snmp-server host 192.180.1.27 informs version 2 public bulkstat
```

This example shows how to enable SNMP notifications to provide information on the Cisco Process MIB CPU threshold table:

```
Switch(config)# snmp-server enable traps cpu threshold
Switch(config)# snmp-server host 192.180.1.27 informs version 2 public cpu
```

## Displaying SNMP Status

To display SNMP input and output statistics, including the number of illegal community string entries, errors, and requested variables, use the **show snmp** privileged EXEC command. You also can use the other privileged EXEC commands in [Table 30-6](#) to display SNMP information. For information about the fields in the displays, see the *Cisco IOS Configuration Fundamentals Command Reference, Release 12.2*.

**Table 30-6** Commands for Displaying SNMP Information

Feature	Default Setting
<b>show snmp</b>	Displays SNMP statistics.
<b>show snmp engineID [local   remote]</b>	Displays information on the local SNMP engine and all remote engines that have been configured on the device.
<b>show snmp group</b>	Displays information on each SNMP group on the network.
<b>show snmp mib bulk transfer</b>	Displays transfer status of files generated by the Periodic MIB Data Collection and Transfer Mechanism (bulk statistics feature).
<b>show snmp pending</b>	Displays information on pending SNMP requests.
<b>show snmp sessions</b>	Displays information on the current SNMP sessions.
<b>show snmp user</b>	Displays information on each SNMP user name in the SNMP users table. <b>Note</b> You must use this command to display SNMPv3 configuration information for <b>auth   noauth   priv</b> mode. This information is not displayed in the <b>show running-config</b> output.





# CHAPTER 31

## Configuring Embedded Event Manager

---

Embedded Event Manager (EEM) is a distributed and customized approach to event detection and recovery within a Cisco IOS device. EEM offers the ability to monitor events and take informational, corrective, or any other EEM action when the monitored events occur or when a threshold is reached. An EEM policy defines an event and the actions to be taken when that event occurs.

This chapter describes how to configure EEM and how to use it to monitor and manage the Cisco ME 3400E Ethernet Access switch. For complete syntax and usage information for the commands used in this chapter, see the switch command reference for this release and the *Cisco IOS Network Management Command Reference*. For the complete EEM document set, see these documents in the *Cisco IOS Network Management Configuration Guide*:

- *Embedded Event Manager Overview*  
[http://www.cisco.com/en/US/docs/ios/netmgmt/configuration/guide/nm\\_eem\\_overview.html](http://www.cisco.com/en/US/docs/ios/netmgmt/configuration/guide/nm_eem_overview.html)
- *Writing Embedded Event Manager Policies Using the Cisco IOS CLI*  
[http://www.cisco.com/en/US/docs/ios/netmgmt/configuration/guide/nm\\_eem\\_policy\\_cli.html](http://www.cisco.com/en/US/docs/ios/netmgmt/configuration/guide/nm_eem_policy_cli.html)
- *Writing Embedded Event Manager Policies Using Tcl*  
[http://www.cisco.com/en/US/docs/ios/netmgmt/configuration/guide/nm\\_eem\\_policy\\_tcl.html](http://www.cisco.com/en/US/docs/ios/netmgmt/configuration/guide/nm_eem_policy_tcl.html)

This chapter includes these sections:

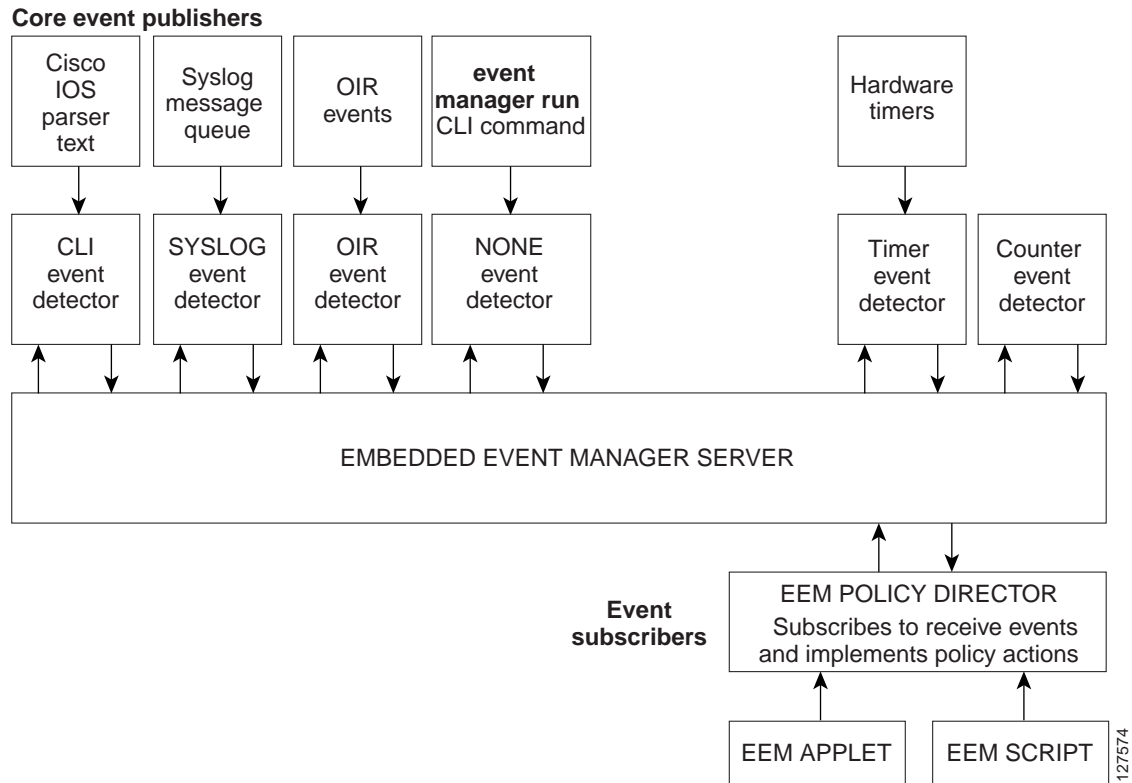
- [Understanding Embedded Event Manager, page 31-1](#)
- [Configuring Embedded Event Manager, page 31-5](#)
- [Displaying Embedded Event Manager Information, page 31-7](#)

## Understanding Embedded Event Manager

The embedded event manager (EEM) monitors key system events and then acts on them through a set policy. This policy is a programmed script that you can use to customize a script to invoke an action based on a given set of events occurring. The script generates actions such as generating custom syslog or Simple Network Management Protocol (SNMP) traps, invoking CLI commands, forcing a failover, and so forth. The event management capabilities of EEM are useful because not all event management can be managed from the switch and because some problems compromise communication between the switch and the external network management device. Network availability is improved if automatic recovery actions are performed without rebooting the switch,

Figure 31-1 shows the relationship between the EEM server, the core event publishers (event detectors), and the event subscribers (policies). The event publishers screen events and when there is a match on an event specification that is provided by the event subscriber. Event detectors notify the EEM server when an event occurs. The EEM policies then implement recovery based on the current state of the system and the actions specified in the policy for the given event.

Figure 31-1 Embedded Event Manager Core Event Detectors



See the [EEM Configuration for Cisco Integrated Services Router Platforms Guide](#) for examples of EEM deployment.

These sections contain this conceptual information:

- [Event Detectors, page 31-2](#)
- [Embedded Event Manager Actions, page 31-4](#)
- [Embedded Event Manager Policies, page 31-4](#)
- [Embedded Event Manager Environment Variables, page 31-4](#)
- [EEM 3.2, page 31-5](#)

## Event Detectors

EEM software programs known as event detectors determine when an EEM event occurs. Event detectors are separate systems that provide an interface between the agent being monitored, for example SNMP, and the EEM policies where an action can be implemented.

EEM allows these event detectors:

- Application-specific event detector—Allows any EEM policy to publish an event.
- IOS CLI event detector—Generates policies based on the commands entered through the CLI.
- Generic Online Diagnostics (GOLD) event detector—Publishes an event when a GOLD failure event is detected on a specified card and subcard.
- Counter event detector—Publishes an event when a named counter crosses a specified threshold.
- Interface counter event detector—Publishes an event when a generic Cisco IOS interface counter for a specified interface crosses a defined threshold. A threshold can be specified as an absolute value or an incremental value. For example, if the incremental value is set to 50, an event would be published when the interface counter increases by 50.

This detector also publishes an event about an interface based on the rate of change for the entry and exit values.

- None event detector—Publishes an event when the **event manager run** CLI command executes an EEM policy. EEM schedules and runs policies on the basis on an event specification within the policy itself. An EEM policy must be manually identified and registered before the **event manager run** command executes.
- Online insertion and removal event detector—Publishes an event when a hardware insertion or removal (OIR) event occurs.
- Remote procedure call (RPC) event detector—Invokes EEM policies from outside the switch over an encrypted connecting using Secure Shell (SSH) and uses Simple Object Access Protocol (SOAP) data encoding for exchanging XML-based messages. It also runs EEM policies and then gets the output in a SOAP XML-formatted reply.
- SNMP event detector—Allows a standard SNMP MIB object to be monitored and an event to be generated when
  - The object matches specified values or crosses specified thresholds.
  - The SNMP delta value, the difference between the monitored Object Identifier (OID) value at the beginning the period and the actual OID value when the event is published, matches a specified value.
- SNMP notification event detector—Intercepts SNMP trap and inform messages received by the switch. The event is generated when an incoming message matches a specified value or crosses a defined threshold.
- Syslog event detector—Allows for screening syslog messages for a regular expression pattern match. The selected messages can be further qualified, requiring that a specific number of occurrences be logged within a specified time. A match on a specified event criteria triggers a configured policy action.
- Timer event detector—Publishes events for
  - An absolute-time-of-day timer publishes an event when a specified absolute date and time occurs.
  - A countdown timer publishes an event when a timer counts down to zero.
  - A watchdog timer publishes an event when a timer counts down to zero. The timer automatically resets itself to its initial value and starts to count down again.
  - A CRON timer publishes an event by using a UNIX standard CRON specification to define when the event is to be published. A CRON timer never publishes events more than once per minute.

- Watchdog event detector (IOSWDSysMon)— Publishes an event when one of these events occurs:
  - CPU utilization for a Cisco IOS process crosses a threshold.
  - Memory utilization for a Cisco IOS process crosses a threshold.

Two events can be monitored at the same time, and the event publishing criteria requires that one or both events cross their specified thresholds.

## Embedded Event Manager Actions

These actions occur in response to an event:

- Modifying a named counter.
- Publishing an application-specific event.
- Generating an SNMP trap.
- Generating prioritized syslog messages.
- Reloading the Cisco IOS software.

## Embedded Event Manager Policies

EEM can monitor events and provide information, or take corrective action when the monitored events occur or a threshold is reached. An EEM policy is an entity that defines an event and the actions to be taken when that event occurs.

There are two types of EEM policies: an applet or a script. An applet is a simple policy that is defined within the CLI configuration. It is a concise method for defining event screening criteria and the actions to be taken when that event occurs. Scripts are defined on the networking device by using an ASCII editor. The script, which can be a bytecode (.tbc) and text (.tcl) script, is then copied to the networking device and registered with EEM. You can also register multiple events in a .tcl file.

Cisco enhancements to TCL in the form of keyword extensions facilitate the development of EEM policies. These keywords identify the detected event, the subsequent action, utility information, counter values, and system information.

For complete information on configuring EEM policies and scripts, see the *Cisco IOS Network Management Configuration Guide, Release 12.4T*.

## Embedded Event Manager Environment Variables

EEM uses environment variables in EEM policies. These variables are defined in a EEM policy tool command language (TCL) script by running a CLI command and the **event manager environment** command.

User-defined variables

Defined by the user for a user-defined policy.

- Cisco-defined variables

Defined by Cisco for a specific sample policy.



- Cisco built-in variables (available in EEM applets)

Defined by Cisco and can be read-only or read-write. The read-only variables are set by the system before an applet starts to execute. The single read-write variable, `_exit_status`, allows you to set the exit status for policies triggered from synchronous events.

Cisco-defined environment variables and Cisco system-defined environment variables might apply to one specific event detector or to all event detectors. Environment variables that are user-defined or defined by Cisco in a sample policy are set by using the **event manager environment** global configuration command. You must define the variables in the EEM policy before you register the policy.

For information about the environmental variables that EEM supports, see the *Cisco IOS Network Management Configuration Guide, Release 12.4T*.

## EEM 3.2

EEM 3.2 is supported in Cisco IOS Release 12.2(52)SE and later and introduces these event detectors:

- Neighbor Discovery—Neighbor Discovery event detector provides the ability to publish a policy to respond to automatic neighbor detection when:
  - a Cisco Discovery Protocol (CDP) cache entry is added, deleted, or updated.
  - a Link Layer Discovery Protocol (LLDP) cache entry is added, deleted or updated.
  - an interface link status changes.
  - an interface line status changes.
- Identity—Identity event detector generates an event when AAA authorization and authentication is successful, when failure occurs, or after normal user traffic on the port is allowed to flow.
- Mac-Address-Table—Mac-Address-Table event detector generates an event when a MAC address is learned in the MAC address table.



### Note

The Mac-Address-Table event detector is supported only on switch platforms and can be used only on Layer 2 interfaces where MAC addresses are learned. Layer 3 interfaces do not learn addresses, and routers do not usually support the MAC address-table infrastructure needed to notify EEM of a learned MAC address.

EEM 3.2 also introduces CLI commands to support the applets to work with the new event detectors.

For further details about EEM 3.2 features, see the Embedded Event Manager 3.2 document.

[http://www.cisco.com/en/US/docs/ios/netmgmt/configuration/guide/nm\\_eem\\_3.2.html](http://www.cisco.com/en/US/docs/ios/netmgmt/configuration/guide/nm_eem_3.2.html)

## Configuring Embedded Event Manager

- [Registering and Defining an Embedded Event Manager Applet, page 31-6](#)
- [Registering and Defining an Embedded Event Manager TCL Script, page 31-7](#)

For complete information about configuring embedded event manager, see the *Cisco IOS Network Management Configuration Guide, Release 12.4T*.

## Registering and Defining an Embedded Event Manager Applet

Beginning in privileged EXEC mode, perform this task to register an applet with EEM and to define the EEM applet using the **event applet** and **action applet** configuration commands.



### Note

Only one event applet command is allowed in an EEM applet. Multiple action applet commands are permitted. If you do not specify the **no event** and **no action** commands, the applet is removed when you exit configuration mode.

	Command	Purpose
Step 1	<b>configure terminal</b>	Enter global configuration mode.
Step 2	<b>event manager applet</b> <i>applet-name</i>	Register the applet with EEM and enter applet configuration mode.
Step 3	<b>event snmp oid</b> <i>oid-value</i> <b>get-type</b> { <b>exact</b>   <b>next</b> } <b>entry-op</b> { <b>gt</b>   <b>ge</b>   <b>eq</b>   <b>ne</b>   <b>lt</b>   <b>le</b> } <b>entry-val</b> <i>entry-val</i> [ <b>exit-comb</b> { <b>or</b>   <b>and</b> }] [ <b>exit-op</b> { <b>gt</b>   <b>ge</b>   <b>eq</b>   <b>ne</b>   <b>lt</b>   <b>le</b> }] [ <b>exit-val</b> <i>exit-val</i> ] [ <b>exit-time</b> <i>exit-time-val</i> ] <b>poll-interval</b> <i>poll-int-val</i>	Specify the event criteria that causes the EEM applet to run.  (Optional) Exit criteria. If exit criteria are not specified, event monitoring is re-enabled immediately.
Step 4	<b>action label</b> <b>syslog</b> [ <b>priority</b> <i>priority-level</i> ] <b>msg</b> <i>msg-text</i>	Specify the action when an EEM applet is triggered. Repeat this action to add other CLI commands to the applet. <ul style="list-style-type: none"> <li>(Optional) The <b>priority</b> keyword specifies the priority level of the syslog messages. If selected, you need to define the <b>priority-level</b> argument.</li> <li>For <i>msg-text</i>, the argument can be character text, an environment variable, or a combination of the two.</li> </ul>
Step 5	<b>end</b>	Exit applet configuration mode and return to privileged EXEC mode.

This example shows the output for EEM when one of the fields specified by an SNMP object ID crosses a defined threshold:

```
Switch(config-applet)# event snmp oid 1.3.6.1.4.1.9.9.48.1.1.1.6.1 get-type exact entry-op
lt entry-val 5120000 poll-interval 10
```

These examples show actions that are taken in response to an EEM event:

```
Switch(config-applet)# action 1.0 syslog priority critical msg "Memory exhausted; current
available memory is $_snmp_oid_val bytes"
```

```
Switch (config-applet)# action 2.0 force-switchover
```

## Registering and Defining an Embedded Event Manager TCL Script

Beginning in privileged EXEC mode, perform this task to register a TCL script with EEM and to define the TCL script and policy commands.

	Command	Purpose
Step 1	<b>configure terminal</b>	Enter global configuration mode.
Step 1	<b>show event manager environment</b> [ <b>all</b>   <i>variable-name</i> ]	(Optional) The <b>show event manager environment</b> command displays the name and value of the EEM environment variables. <ul style="list-style-type: none"> <li>(Optional) The <b>all</b> keyword displays the EEM environment variables.</li> <li>(Optional) The <i>variable-name</i> argument displays information about the specified environment variable.</li> </ul>
Step 2	<b>configure terminal</b>	Enter global configuration mode.
Step 3	<b>event manager environment variable-name string</b>	Configure the value of the specified EEM environment variable. Repeat this step for all the required environment variables.
Step 4	<b>event manager policy policy-file-name</b> [ <b>type system</b> ] [ <b>trap</b> ]	Register the EEM policy to be run when the specified event defined within the policy occurs.
Step 5	<b>exit</b>	Exit global configuration mode and return to privileged EXEC mode.

This example shows the sample output for the show event manager environment command:

```
Switch# show event manager environment all
No.  Name                Value
1    _cron_entry           0-59/2 0-23/1 * * 0-6
2    _show_cmd             show ver
3    _syslog_pattern       .*UPDOWN.*Ethernet1/0.*
4    _config_cmd1          interface Ethernet1/0
5    _config_cmd2          no shut
```

This example shows a CRON timer environment variable, which is assigned by the software, to be set to every second minute, every hour of every day:

```
Switch (config)# event manager environment_cron_entry 0-59/2 0-23/1 * * 0-6
```

This example shows the sample EEM policy named *tm\_cli\_cmd.tcl* registered as a system policy. The system policies are part of the Cisco IOS image. User-defined TCL scripts must first be copied to flash memory.

```
Switch (config)# event manager policy tm_cli_cmd.tcl type system
```

## Displaying Embedded Event Manager Information

To display information about EEM, including EEM registered policies and EEM history data, see the *Cisco IOS Network Management Command Reference*.





## Configuring Network Security with ACLs

This chapter describes how to configure network security on the Cisco ME 3400E Ethernet Access switch by using access control lists (ACLs), which are also referred to in commands and tables as access lists.



Note

Information in this chapter about IP ACLs is specific to IP Version 4 (IPv4). For information about configuring IPv6 ACLs, see [Chapter 39, “Configuring IPv6 ACLs.”](#)

For complete syntax and usage information for the commands used in this chapter, see the command reference for this release, see the “Configuring IP Services” section in the “IP Addressing and Services” chapter of the *Cisco IOS IP Configuration Guide, Release 12.2*, and the *Cisco IOS IP Command Reference, Volume 1 of 3: Addressing and Services, Release 12.2*.

This chapter consists of these sections:

- [Understanding ACLs, page 32-1](#)
- [Configuring IPv4 ACLs, page 32-6](#)
- [Creating Named MAC Extended ACLs, page 32-26](#)
- [Configuring VLAN Maps, page 32-29](#)
- [Using VLAN Maps with Router ACLs, page 32-35](#)
- [Displaying IPv4 ACL Configuration, page 32-39](#)

## Understanding ACLs

Packet filtering can help limit network traffic and restrict network use by certain users or devices. ACLs filter traffic as it passes through a router or switch and permit or deny packets crossing specified interfaces or VLANs. An ACL is a sequential collection of permit and deny conditions that apply to packets. When a packet is received on an interface, the switch compares the fields in the packet against any applied ACLs to verify that the packet has the required permissions to be forwarded, based on the criteria specified in the access lists. One by one, it tests packets against the conditions in an access list. The first match decides whether the switch accepts or rejects the packets. Because the switch stops testing after the first match, the order of conditions in the list is critical. If no conditions match, the switch rejects the packet. If there are no restrictions, the switch forwards the packet; otherwise, the switch drops the packet. The switch can use ACLs on all packets it forwards.

You configure access lists on a router or Layer 3 switch to provide basic security for your network. If you do not configure ACLs, all packets passing through the switch could be allowed onto all parts of the network. You can use ACLs to control which hosts can access different parts of a network or to decide which types of traffic are forwarded or blocked at router interfaces. For example, you can allow e-mail traffic to be forwarded but not Telnet traffic. ACLs can be configured to block inbound traffic, outbound traffic, or both.

An ACL contains an ordered list of access control entries (ACEs). Each ACE specifies *permit* or *deny* and a set of conditions the packet must satisfy in order to match the ACE. The meaning of *permit* or *deny* depends on the context in which the ACL is used.

The switch supports IPv4 ACLs and Ethernet (MAC) ACLs:

- IP ACLs filter IPv4 traffic, including TCP, User Datagram Protocol (UDP), Internet Group Management Protocol (IGMP), and Internet Control Message Protocol (ICMP).
- Ethernet ACLs filter non-IP traffic.

This switch also supports quality of service (QoS) classification ACLs. For more information, see the “[Understanding QoS](#)” section on page 34-1.

These sections contain this conceptual information:

- [Supported ACLs, page 32-2](#)
- [Handling Fragmented and Unfragmented Traffic, page 32-5](#)

## Supported ACLs

The switch supports three applications of ACLs to filter traffic:

- Port ACLs access-control traffic entering a Layer 2 interface. The switch does not support port ACLs in the outbound direction. You can apply only one IP access list and one MAC access list to a Layer 2 interface.
- Router ACLs access-control routed traffic between VLANs and are applied to Layer 3 interfaces in a specific direction (inbound or outbound). The switch must be running the metro IP access image to support router ACLs.
- VLAN ACLs or VLAN maps access-control all packets (forwarded and routed). You can use VLAN maps to filter traffic between devices in the same VLAN. VLAN maps are configured to provide access control based on Layer 3 addresses for IPv4. Unsupported protocols are access-controlled through MAC addresses using Ethernet ACEs. After a VLAN map is applied to a VLAN, all packets entering the VLAN are checked against the VLAN map. Packets can either enter the VLAN through a switch port or through a routed port after being routed.

You can use input port ACLs, router ACLs, and VLAN maps on the same switch. However, a port ACL takes precedence over a router ACL or VLAN map.

- When both an input port ACL and a VLAN map are applied, incoming packets received on ports with a port ACL applied are filtered by the port ACL. Other packets are filtered by the VLAN map.
- When an input router ACL and input port ACL exist in an switch virtual interface (SVI), incoming packets received on ports to which a port ACL is applied are filtered by the port ACL. Incoming routed IPv4 packets received on other ports are filtered by the router ACL. Other packets are not filtered.
- When an output router ACL and input port ACL exist in an SVI, incoming packets received on the ports to which a port ACL is applied are filtered by the port ACL. Outgoing routed IPv4 packets are filtered by the router ACL. Other packets are not filtered.

- When a VLAN map, input router ACL, and input port ACL exist in an SVI, incoming packets received on the ports to which a port ACL is applied are only filtered by the port ACL. Incoming routed IPv4 packets received on other ports are filtered by both the VLAN map and the router ACL. Other packets are filtered only by the VLAN map.
- When a VLAN map, output router ACL, and input port ACL exist in an SVI, incoming packets received on the ports to which a port ACL is applied are only filtered by the port ACL. Outgoing routed IPv4 packets are filtered by both the VLAN map and the router ACL. Other packets are filtered only by the VLAN map.

If IEEE 802.1Q tunneling is configured on an interface, any IEEE 802.1Q encapsulated IPv4 packets received on the tunnel port can be filtered by MAC ACLs, but not by IP v4 ACLs. This is because the switch does not recognize the protocol inside the IEEE 802.1Q header. This restriction applies to router ACLs, port ACLs, and VLAN maps. For more information about IEEE 802.1Q tunneling, refer to [Chapter 14, “Configuring IEEE 802.1Q Tunneling, VLAN Mapping, 802.1ad, and Layer 2 Protocol Tunneling.”](#)

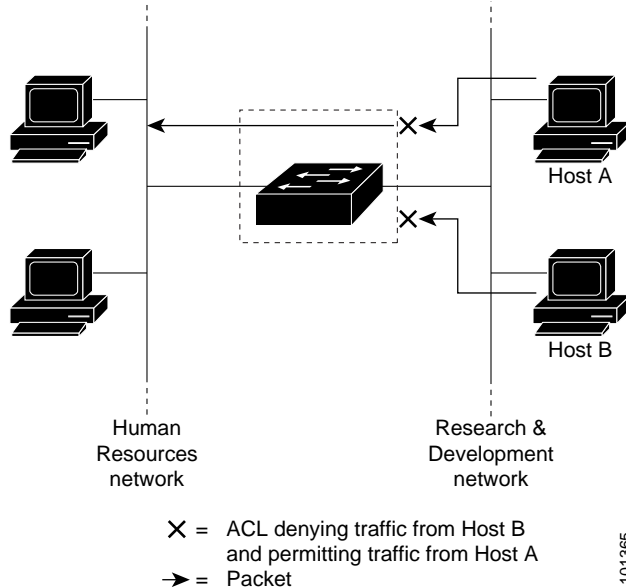
## Port ACLs

Port ACLs are ACLs that are applied to Layer 2 interfaces on a switch. Port ACLs are supported only on physical interfaces and not on EtherChannel interfaces and can be applied only on interfaces in the inbound direction. These access lists are supported on Layer 2 interfaces:

- Standard IP access lists using source addresses
- Extended IP access lists using source and destination addresses and optional protocol type information
- MAC extended access lists using source and destination MAC addresses and optional protocol type information

The switch examines ACLs associated with all inbound features configured on a given interface and permits or denies packet forwarding based on how the packet matches the entries in the ACL. In this way, ACLs are used to control access to a network or to part of a network. [Figure 32-1](#) is an example of using port ACLs to control access to a network when all workstations are in the same VLAN. ACLs applied at the Layer 2 input would allow Host A to access the Human Resources network, but prevent Host B from accessing the same network. Port ACLs can only be applied to Layer 2 interfaces in the inbound direction.

Figure 32-1 Using ACLs to Control Traffic to a Network



When you apply a port ACL to a trunk port, the ACL filters traffic on all VLANs present on the trunk port.

With port ACLs, you can filter IP traffic by using IP access lists and non-IP traffic by using MAC addresses. You can filter both IP and non-IP traffic on the same Layer 2 interface by applying both an IP access list and a MAC access list to the interface.



#### Note

You cannot apply more than one IP access list and one MAC access list to a Layer 2 interface. If an IP access list or MAC access list is already configured on a Layer 2 interface and you apply a new IP access list or MAC access list to the interface, the new ACL replaces the previously configured one.

## Router ACLs

If the switch is running the metro IP access image, you can apply router ACLs on switch virtual interfaces (SVIs), which are Layer 3 interfaces to VLANs; on physical Layer 3 interfaces; and on Layer 3 EtherChannel interfaces. You apply router ACLs on interfaces for specific directions (inbound or outbound). You can apply one router ACL in each direction on an interface.

One ACL can be used with multiple features for a given interface, and one feature can use multiple ACLs. When a single router ACL is used by multiple features, it is examined multiple times.

The switch supports these access lists for IPv4 traffic:

- Standard IP access lists use source addresses for matching operations.
- Extended IP access lists use source and destination addresses and optional protocol type information for matching operations.



As with port ACLs, the switch examines ACLs associated with features configured on a given interface. However, router ACLs are supported in both directions. As packets enter the switch on an interface, ACLs associated with all inbound features configured on that interface are examined. After packets are routed and before they are forwarded to the next hop, all ACLs associated with outbound features configured on the egress interface are examined.

ACLs permit or deny packet forwarding based on how the packet matches the entries in the ACL, and can be used to control access to a network or to part of a network. In [Figure 32-1](#), ACLs applied at the router input allow Host A to access the Human Resources network, but prevent Host B from accessing the same network.

## VLAN Maps

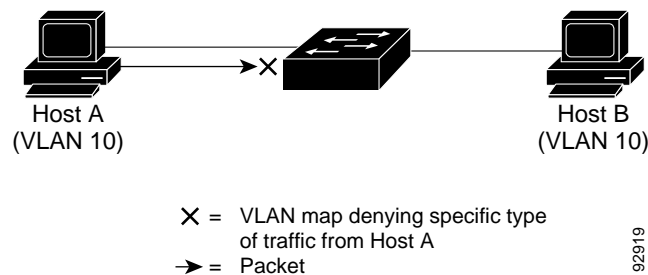
VLAN ACLs or VLAN maps can access-control *all* traffic. You can apply VLAN maps to all packets that are routed into or out of a VLAN or are forwarded within a VLAN in the switch. VLAN maps are used for security packet filtering and are not defined by direction (input or output).

You can configure VLAN maps to match Layer 3 addresses for IPv4 traffic.

All non-IP protocols are access-controlled through MAC addresses and Ethertype using MAC VLAN maps. (IP traffic *is not* access controlled by MAC VLAN maps.) You can enforce VLAN maps only on packets going through the switch; you cannot enforce VLAN maps on traffic between hosts on a hub or on another switch connected to this switch.

With VLAN maps, forwarding of packets is permitted or denied, based on the action specified in the map. [Figure 32-2](#) shows how a VLAN map is applied to prevent a specific type of traffic from Host A in VLAN 10 from being forwarded.

**Figure 32-2** Using VLAN Maps to Control Traffic



## Handling Fragmented and Unfragmented Traffic

IPv4 packets can be fragmented as they cross the network. When this happens, only the fragment containing the beginning of the packet contains the Layer 4 information, such as TCP or UDP port numbers, ICMP type and code, and so on. All other fragments are missing this information.

Some ACEs do not check Layer 4 information and therefore can be applied to all packet fragments. ACEs that do test Layer 4 information cannot be applied in the standard manner to most of the fragments in a fragmented IPv4 packet. When the fragment contains no Layer 4 information and the ACE tests some Layer 4 information, the matching rules are modified:

- Permit ACEs that check the Layer 3 information in the fragment (including protocol type, such as TCP, UDP, and so on) are considered to match the fragment regardless of what the missing Layer 4 information might have been.

- Deny ACEs that check Layer 4 information never match a fragment unless the fragment contains Layer 4 information.

Consider access list 102, configured with these commands, applied to three fragmented packets:

```
Switch(config)# access-list 102 permit tcp any host 10.1.1.1 eq smtp
Switch(config)# access-list 102 deny tcp any host 10.1.1.2 eq telnet
Switch(config)# access-list 102 permit tcp any host 10.1.1.2
Switch(config)# access-list 102 deny tcp any any
```



#### Note

In the first and second ACEs in the examples, the *eq* keyword after the destination address means to test for the TCP-destination-port well-known numbers equaling Simple Mail Transfer Protocol (SMTP) and Telnet, respectively.

- Packet A is a TCP packet from host 10.2.2.2, port 65000, going to host 10.1.1.1 on the SMTP port. If this packet is fragmented, the first fragment matches the first ACE (a permit) as if it were a complete packet because all Layer 4 information is present. The remaining fragments also match the first ACE, even though they do not contain the SMTP port information, because the first ACE only checks Layer 3 information when applied to fragments. The information in this example is that the packet is TCP and that the destination is 10.1.1.1.
- Packet B is from host 10.2.2.2, port 65001, going to host 10.1.1.2 on the Telnet port. If this packet is fragmented, the first fragment matches the second ACE (a deny) because all Layer 3 and Layer 4 information is present. The remaining fragments in the packet do not match the second ACE because they are missing Layer 4 information. Instead, they match the third ACE (a permit).

Because the first fragment was denied, host 10.1.1.2 cannot reassemble a complete packet, so packet B is effectively denied. However, the later fragments that are permitted will consume bandwidth on the network and resources of host 10.1.1.2 as it tries to reassemble the packet.

- Fragmented packet C is from host 10.2.2.2, port 65001, going to host 10.1.1.3, port ftp. If this packet is fragmented, the first fragment matches the fourth ACE (a deny). All other fragments also match the fourth ACE because that ACE does not check any Layer 4 information and because Layer 3 information in all fragments shows that they are being sent to host 10.1.1.3, and the earlier permit ACEs were checking different hosts.

## Configuring IPv4 ACLs

Configuring IPv4 ACLs on the switch is the same as configuring IPv4 ACLs on other Cisco switches and routers. The process is briefly described here. For more detailed information on configuring ACLs, see the “Configuring IP Services” section in the “IP Addressing and Services” chapter of the *Cisco IOS IP Configuration Guide, Release 12.2*. For detailed information about the commands, see the *Cisco IOS IP Command Reference, Volume 1 of 3: Addressing and Services, Release 12.2*.

The switch does not support these Cisco IOS router ACL-related features:

- Non-IP protocol ACLs (see [Table 32-1 on page 32-8](#)) or bridge-group ACLs
- IP accounting
- Inbound and outbound rate limiting (except with QoS ACLs)
- Reflexive ACLs or dynamic ACLs
- ACL logging for port ACLs and VLAN maps

These are the steps to use IP ACLs on the switch:

- 
- |               |   |
|---------------|---|
| <b>Step 1</b> | Create an ACL by specifying an access list number or name and the access conditions.                          |
| <b>Step 2</b> | Apply the ACL to interfaces or terminal lines. You can also apply standard and extended IP ACLs to VLAN maps. |
- 

These sections contain this configuration information:

- [Creating Standard and Extended IPv4 ACLs, page 32-7](#)
- [Applying an IPv4 ACL to a Terminal Line, page 32-18](#)
- [Applying an IPv4 ACL to an Interface, page 32-19](#)
- [Hardware and Software Treatment of IP ACLs, page 32-20](#)
- [Troubleshooting ACLs, page 32-21](#)
- [IPv4 ACL Configuration Examples, page 32-22](#)

## Creating Standard and Extended IPv4 ACLs

This section describes IP ACLs. An ACL is a sequential collection of permit and deny conditions. One by one, the switch tests packets against the conditions in an access list. The first match determines whether the switch accepts or rejects the packet. Because the switch stops testing after the first match, the order of the conditions is critical. If no conditions match, the switch denies the packet.

The software supports these types of ACLs or access lists for IPv4:

- Standard IP access lists use source addresses for matching operations.
- Extended IP access lists use source and destination addresses for matching operations and optional protocol-type information for finer granularity of control.

These sections describe access lists and how to create them:

- [IPv4 Access List Numbers, page 32-8](#)
- [ACL Logging, page 32-8](#)
- [Creating a Numbered Standard ACL, page 32-9](#)
- [Creating a Numbered Extended ACL, page 32-10](#)
- [Resequencing ACEs in an ACL, page 32-14](#)
- [Creating Named Standard and Extended ACLs, page 32-14](#)
- [Using Time Ranges with ACLs, page 32-16](#)
- [Including Comments in ACLs, page 32-18](#)

## IPv4 Access List Numbers

The number you use to denote your IPv4 ACL shows the type of access list that you are creating. Table 32-1 lists the access-list number and corresponding access list type and shows whether or not they are supported in the switch. The switch supports IPv4 standard and extended access lists, numbers 1 to 199 and 1300 to 2699.

**Table 32-1** Access List Numbers

Access List Number	Type	Supported
1–99	IP standard access list	Yes
100–199	IP extended access list	Yes
200–299	Protocol type-code access list	No
300–399	DECnet access list	No
400–499	XNS standard access list	No
500–599	XNS extended access list	No
600–699	AppleTalk access list	No
700–799	48-bit MAC address access list	No
800–899	IPX standard access list	No
900–999	IPX extended access list	No
1000–1099	IPX SAP access list	No
1100–1199	Extended 48-bit MAC address access list	No
1200–1299	IPX summary address access list	No
1300–1999	IP standard access list (expanded range)	Yes
2000–2699	IP extended access list (expanded range)	Yes



### Note

In addition to numbered standard and extended IPv4 ACLs, you can also create standard and extended named IPv4 ACLs by using the supported numbers. That is, the name of a standard IP ACL can be 1 to 99; the name of an extended IP ACL can be 100 to 199. The advantage of using named ACLs instead of numbered lists is that you can delete individual entries from a named list.

## ACL Logging

The switch software can provide logging messages about packets permitted or denied by a standard IP access list. That is, any packet that matches the ACL causes an informational logging message about the packet to be sent to the console. The level of messages logged to the console is controlled by the logging console commands controlling the syslog messages.



### Note

Because routing is done in hardware and logging is done in software, if a large number of packets match a *permit* or *deny* ACE containing a **log** keyword, the software might not be able to match the hardware processing rate, and not all packets will be logged.

The first packet that triggers the ACL causes a logging message right away, and subsequent packets are collected over 5-minute intervals before they appear or logged. The logging message includes the access list number, whether the packet was permitted or denied, the source IP address of the packet, and the number of packets from that source permitted or denied in the prior 5-minute interval.

## Creating a Numbered Standard ACL

Beginning in privileged EXEC mode, follow these steps to create a numbered standard ACL:

	Command	Purpose
Step 1	<b>configure terminal</b>	Enter global configuration mode.
Step 2	<b>access-list</b> <i>access-list-number</i> { <b>deny</b>   <b>permit</b> } <i>source</i> [ <i>source-wildcard</i> ] [ <b>log</b> ]	<p>Define a standard IPv4 access list by using a source address and wildcard.</p> <p>The <i>access-list-number</i> is a decimal number from 1 to 99 or 1300 to 1999.</p> <p>Enter <b>deny</b> or <b>permit</b> to specify whether to deny or permit access if conditions are matched.</p> <p>The <i>source</i> is the source address of the network or host from which the packet is being sent specified as:</p> <ul style="list-style-type: none"> <li>• The 32-bit quantity in dotted-decimal format.</li> <li>• The keyword <b>any</b> as an abbreviation for <i>source</i> and <i>source-wildcard</i> of 0.0.0.0 255.255.255.255. You do not need to enter a source-wildcard.</li> <li>• The keyword <b>host</b> as an abbreviation for source and source-wildcard of <i>source</i> 0.0.0.0.</li> </ul> <p>(Optional) The <i>source-wildcard</i> applies wildcard bits to the source.</p> <p>(Optional) Enter <b>log</b> to cause an informational logging message about the packet that matches the entry to be sent to the console.</p>
Step 3	<b>end</b>	Return to privileged EXEC mode.
Step 4	<b>show access-lists</b> [ <i>number</i>   <i>name</i> ]	Show the access list configuration.
Step 5	<b>copy running-config startup-config</b>	(Optional) Save your entries in the configuration file.

Use the **no access-list** *access-list-number* global configuration command to delete the entire ACL. You cannot delete individual ACEs from numbered access lists.



### Note

When creating an ACL, remember that, by default, the end of the ACL contains an implicit deny statement for all packets that it did not find a match for before reaching the end. With standard access lists, if you omit the mask from an associated IP host address ACL specification, 0.0.0.0 is assumed to be the mask.

This example shows how to create a standard ACL to deny access to IP host 171.69.198.102, permit access to any others, and display the results.

```
Switch (config)# access-list 2 deny host 171.69.198.102
Switch (config)# access-list 2 permit any
Switch(config)# end
Switch# show access-lists
Standard IP access list 2
    10 deny 171.69.198.102
    20 permit any
```

The switch always rewrites the order of standard access lists so that entries with **host** matches and entries with matches having a *don't care* mask of 0.0.0.0 are moved to the top of the list, above any entries with non-zero *don't care* masks. Therefore, in **show** command output and in the configuration file, the ACEs do not necessarily appear in the order in which they were entered.

After creating a numbered standard IPv4 ACL, you can apply it to terminal lines (see the “[Applying an IPv4 ACL to a Terminal Line](#)” section on page 32-18), to interfaces (see the “[Applying an IPv4 ACL to an Interface](#)” section on page 32-19), or to VLANs (see the “[Configuring VLAN Maps](#)” section on page 32-29).

## Creating a Numbered Extended ACL

Although standard ACLs use only source addresses for matching, you can use extended ACL source and destination addresses for matching operations and optional protocol type information for finer granularity of control. When you are creating ACEs in numbered extended access lists, remember that after you create the ACL, any additions are placed at the end of the list. You cannot reorder the list or selectively add or remove ACEs from a numbered list.

Some protocols also have specific parameters and keywords that apply to that protocol.

These IP protocols are supported (protocol keywords are in parentheses in bold):

Authentication Header Protocol (**ahp**), Enhanced Interior Gateway Routing Protocol (**eigrp**), Encapsulation Security Payload (**esp**), generic routing encapsulation (**gre**), Internet Control Message Protocol (**icmp**), Internet Group Management Protocol (**igmp**), any Interior Protocol (**ip**), IP in IP tunneling (**ipinip**), KA9Q NOS-compatible IP over IP tunneling (**nos**), Open Shortest Path First routing (**ospf**), Payload Compression Protocol (**pcp**), Protocol Independent Multicast (**pim**), Transmission Control Protocol (**tcp**), or User Datagram Protocol (**udp**).




---

**Note** ICMP echo-reply cannot be filtered. All other ICMP codes or types can be filtered.

---

For more details on the specific keywords for each protocol, see these command references:

- *Cisco IOS IP Command Reference, Volume 1 of 3: Addressing and Services, Release 12.2*
- *Cisco IOS IP Command Reference, Volume 2 of 3: Routing Protocols, Release 12.2*
- *Cisco IOS IP Command Reference, Volume 3 of 3: Multicast, Release 12.2*



**Note**

---

The switch does not support dynamic or reflexive access lists. It also does not support filtering based on the type of service (ToS) minimize-monetary-cost bit.

---

Supported parameters can be grouped into these categories: TCP, UDP, ICMP, IGMP, or other IP.

Beginning in privileged EXEC mode, follow these steps to create an extended ACL:

	Command	Purpose
Step 1	<b>configure terminal</b>	Enter global configuration mode.
Step 2a	<b>access-list</b> <i>access-list-number</i> { <b>deny</b>   <b>permit</b> } <i>protocol</i> <i>source source-wildcard</i> <i>destination destination-wildcard</i> [ <b>precedence</b> <i>precedence</i> ] [ <b>tos</b> <i>tos</i> ] [ <b>fragments</b> ] [ <b>log</b> ] [ <b>log-input</b> ] [ <b>time-range</b> <i>time-range-name</i> ] [ <b>dscp</b> <i>dscp</i> ]  <b>Note</b> If you enter a <b>dscp</b> value, you cannot enter <b>tos</b> or <b>precedence</b> . You can enter both a <b>tos</b> and a <b>precedence</b> value with no <b>dscp</b> .	Define an extended IPv4 access list and the access conditions.  The <i>access-list-number</i> is a decimal number from 100 to 199 or 2000 to 2699.  Enter <b>deny</b> or <b>permit</b> to specify whether to deny or permit the packet if conditions are matched.  For <i>protocol</i> , enter the name or number of an IP protocol: <b>ahp</b> , <b>eigrp</b> , <b>esp</b> , <b>gre</b> , <b>icmp</b> , <b>igmp</b> , <b>igrp</b> , <b>ip</b> , <b>ipinip</b> , <b>nos</b> , <b>ospf</b> , <b>pcp</b> , <b>pim</b> , <b>tcp</b> , or <b>udp</b> , or an integer in the range 0 to 255 representing an IP protocol number. To match any Internet protocol (including ICMP, TCP, and UDP) use the keyword <b>ip</b> .  <b>Note</b> This step includes options for most IP protocols. For additional specific parameters for TCP, UDP, ICMP, and IGMP, see steps 2b through 2e.  The <i>source</i> is the number of the network or host from which the packet is sent. The <i>source-wildcard</i> applies wildcard bits to the source. The <i>destination</i> is the network or host number to which the packet is sent. The <i>destination-wildcard</i> applies wildcard bits to the destination. Source, source-wildcard, destination, and destination-wildcard can be specified as: <ul style="list-style-type: none"> <li>• The 32-bit quantity in dotted-decimal format.</li> <li>• The keyword <b>any</b> for 0.0.0.0 255.255.255.255 (any host).</li> <li>• The keyword <b>host</b> for a single host 0.0.0.0.</li> </ul> The other keywords are optional and have these meanings: <ul style="list-style-type: none"> <li>• <b>precedence</b>—Enter to match packets with a precedence level specified as a number from 0 to 7 or by name: <b>routine</b> (0), <b>priority</b> (1), <b>immediate</b> (2), <b>flash</b> (3), <b>flash-override</b> (4), <b>critical</b> (5), <b>internet</b> (6), <b>network</b> (7).</li> <li>• <b>fragments</b>—Enter to check non-initial fragments.</li> <li>• <b>tos</b>—Enter to match by type of service level, specified by a number from 0 to 15 or a name: <b>normal</b> (0), <b>max-reliability</b> (2), <b>max-throughput</b> (4), <b>min-delay</b> (8).</li> <li>• <b>log</b>—Enter to create an informational logging message to be sent to the console about the packet that matches the entry or <b>log-input</b> to include the input interface in the log entry.</li> <li>• <b>time-range</b>—For an explanation of this keyword, see the <a href="#">“Using Time Ranges with ACLs”</a> section on page 32-16.</li> <li>• <b>dscp</b>—Enter to match packets with the DSCP value specified by a number from 0 to 63, or use the question mark (?) to see a list of available values.</li> </ul>

	Command	Purpose
or	<b>access-list</b> <i>access-list-number</i> { <b>deny</b>   <b>permit</b> } <i>protocol any any</i> [ <b>precedence</b> <i>precedence</i> ] [ <b>tos</b> <i>tos</i> ] [ <b>fragments</b> ] [ <b>log</b> ] [ <b>log-input</b> ] [ <b>time-range</b> <i>time-range-name</i> ] [ <b>dscp</b> <i>dscp</i> ]	In access-list configuration mode, define an extended IP access list using an abbreviation for a source and source wildcard of 0.0.0.0 255.255.255.255 and an abbreviation for a destination and destination wildcard of 0.0.0.0 255.255.255.255.  You can use the <b>any</b> keyword in place of source and destination address and wildcard.
or	<b>access-list</b> <i>access-list-number</i> { <b>deny</b>   <b>permit</b> } <i>protocol</i> <b>host</b> <i>source host destination</i> [ <b>precedence</b> <i>precedence</i> ] [ <b>tos</b> <i>tos</i> ] [ <b>fragments</b> ] [ <b>log</b> ] [ <b>log-input</b> ] [ <b>time-range</b> <i>time-range-name</i> ] [ <b>dscp</b> <i>dscp</i> ]	Define an extended IP access list by using an abbreviation for a source and a source wildcard of <i>source</i> 0.0.0.0 and an abbreviation for a destination and destination wildcard of <i>destination</i> 0.0.0.0.  You can use the <b>host</b> keyword in place of the source and destination wildcard or mask.
<b>Step 2b</b>	<b>access-list</b> <i>access-list-number</i> { <b>deny</b>   <b>permit</b> } <b>tcp</b> <i>source</i> <i>source-wildcard</i> [ <i>operator port</i> ] <i>destination destination-wildcard</i> [ <i>operator port</i> ] [ <b>established</b> ] [ <b>precedence</b> <i>precedence</i> ] [ <b>tos</b> <i>tos</i> ] [ <b>fragments</b> ] [ <b>log</b> ] [ <b>log-input</b> ] [ <b>time-range</b> <i>time-range-name</i> ] [ <b>dscp</b> <i>dscp</i> ] [ <i>flag</i> ]	(Optional) Define an extended TCP access list and the access conditions. Enter <b>tcp</b> for Transmission Control Protocol.  The parameters are the same as those described in Step 2a, with these exceptions:  (Optional) Enter an <i>operator</i> and <i>port</i> to compare source (if positioned after <i>source source-wildcard</i> ) or destination (if positioned after <i>destination destination-wildcard</i> ) port. Possible operators include <b>eq</b> (equal), <b>gt</b> (greater than), <b>lt</b> (less than), <b>neq</b> (not equal), and <b>range</b> (inclusive range). Operators require a port number ( <b>range</b> requires two port numbers separated by a space).  Enter the <i>port</i> number as a decimal number (from 0 to 65535) or the name of a TCP port. To see TCP port names, use the ? or see the “Configuring IP Services” section in the “IP Addressing and Services” chapter of the <i>Cisco IOS IP Configuration Guide, Release 12.2</i> . Use only TCP port numbers or names when filtering TCP.  The other optional keywords have these meanings: <ul style="list-style-type: none"> <li>• <b>established</b>—Enter to match an established connection. This has the same function as matching on the <b>ack</b> or <b>rst</b> flag.</li> <li>• <i>flag</i>—Enter one of these flags to match by the specified TCP header bits: <b>ack</b> (acknowledge), <b>fin</b> (finish), <b>psh</b> (push), <b>rst</b> (reset), <b>syn</b> (synchronize), or <b>urg</b> (urgent).</li> </ul>
<b>Step 2c</b>	<b>access-list</b> <i>access-list-number</i> { <b>deny</b>   <b>permit</b> } <b>udp</b> <i>source source-wildcard</i> [ <i>operator</i> <i>port</i> ] <i>destination</i> <i>destination-wildcard</i> [ <i>operator</i> <i>port</i> ] [ <b>precedence</b> <i>precedence</i> ] [ <b>tos</b> <i>tos</i> ] [ <b>fragments</b> ] [ <b>log</b> ] [ <b>log-input</b> ] [ <b>time-range</b> <i>time-range-name</i> ] [ <b>dscp</b> <i>dscp</i> ]	(Optional) Define an extended UDP access list and the access conditions. Enter <b>udp</b> for the User Datagram Protocol.  The UDP parameters are the same as those described for TCP except that the [ <i>operator</i> [ <i>port</i> ]] port number or name must be a UDP port number or name, and the <b>flag</b> and <b>established</b> parameters are not valid for UDP.



	Command	Purpose
Step 2d	<b>access-list</b> <i>access-list-number</i> { <b>deny</b>   <b>permit</b> } <b>icmp</b> <i>source source-wildcard destination destination-wildcard</i> [ <i>icmp-type</i> / [ <i>icmp-type icmp-code</i> ] / [ <i>icmp-message</i> ]] [ <b>precedence</b> <i>precedence</i> ] [ <b>tos</b> <i>tos</i> ] [ <b>fragments</b> ] [ <b>log</b> ] [ <b>log-input</b> ] [ <b>time-range</b> <i>time-range-name</i> ] [ <b>dscp</b> <i>dscp</i> ]	(Optional) Define an extended ICMP access list and the access conditions. Enter <b>icmp</b> for Internet Control Message Protocol. The ICMP parameters are the same as those described for most IP protocols in Step 2a, with the addition of the ICMP message type and code parameters. These optional keywords have these meanings: <ul style="list-style-type: none"> <li><i>icmp-type</i>—Enter to filter by ICMP message type, a number from 0 to 255.</li> <li><i>icmp-code</i>—Enter to filter ICMP packets that are filtered by the ICMP message code type, a number from 0 to 255.</li> <li><i>icmp-message</i>—Enter to filter ICMP packets by the ICMP message type name or the ICMP message type and code name. To see a list of ICMP message type names and code names, use the <code>?</code>, or see the “Configuring IP Services” section of the <i>Cisco IOS IP Configuration Guide, Release 12.2</i>.</li> </ul>
Step 2e	<b>access-list</b> <i>access-list-number</i> { <b>deny</b>   <b>permit</b> } <b>igmp</b> <i>source source-wildcard destination destination-wildcard</i> [ <i>igmp-type</i> ] [ <b>precedence</b> <i>precedence</i> ] [ <b>tos</b> <i>tos</i> ] [ <b>fragments</b> ] [ <b>log</b> ] [ <b>log-input</b> ] [ <b>time-range</b> <i>time-range-name</i> ] [ <b>dscp</b> <i>dscp</i> ]	(Optional) Define an extended IGMP access list and the access conditions. Enter <b>igmp</b> for Internet Group Management Protocol. The IGMP parameters are the same as those described for most IP protocols in Step 2a, with this optional parameter. <i>igmp-type</i> —To match IGMP message type, enter a number from 0 to 15, or enter the message name ( <b>host-query</b> , <b>host-report</b> , <b>pim</b> , or <b>trace</b> ). <b>Note</b> Although visible in the command-line help, <b>dvmrp</b> is not supported.
Step 3	<b>end</b>	Return to privileged EXEC mode.
Step 4	<b>show access-lists</b> [ <i>number</i>   <i>name</i> ]	Verify the access list configuration.
Step 5	<b>copy running-config startup-config</b>	(Optional) Save your entries in the configuration file.

Use the **no access-list** *access-list-number* global configuration command to delete the entire access list. You cannot delete individual ACEs from numbered access lists.

This example shows how to create and display an extended access list to deny Telnet access from any host in network 171.69.198.0 to any host in network 172.20.52.0 and to permit any others. (The **eq** keyword after the destination address means to test for the TCP destination port number equaling Telnet.)

```
Switch(config)# access-list 102 deny tcp 171.69.198.0 0.0.0.255 172.20.52.0 0.0.0.255 eq telnet
Switch(config)# access-list 102 permit tcp any any
Switch(config)# end
Switch# show access-lists
Extended IP access list 102
 10 deny tcp 171.69.198.0 0.0.0.255 172.20.52.0 0.0.0.255 eq telnet
 20 permit tcp any any
```

After an ACL is created, any additions (possibly entered from the terminal) are placed at the end of the list. You cannot selectively add or remove access list entries from a numbered access list.



#### Note

When you are creating an ACL, remember that, by default, the end of the access list contains an implicit deny statement for all packets if it did not find a match before reaching the end.

After creating a numbered extended ACL, you can apply it to terminal lines (see the “[Applying an IPv4 ACL to a Terminal Line](#)” section on page 32-18), to interfaces (see the “[Applying an IPv4 ACL to an Interface](#)” section on page 32-19), or to VLANs (see the “[Configuring VLAN Maps](#)” section on page 32-29).

## Resequencing ACEs in an ACL

Sequence numbers for the entries in an access list are automatically generated when you create a new ACL. You can use the **ip access-list resequence** global configuration command to edit the sequence numbers in an ACL and change the order in which ACEs are applied. For example, if you add a new ACE to an ACL, it is placed at the bottom of the list. By changing the sequence number, you can move the ACE to a different position in the ACL.

For more information about the **ip access-list resequence** command, see this URL:

<http://www.cisco.com/univercd/cc/td/doc/product/software/ios122s/122snwft/release/122s14/fsaclseq.htm>

## Creating Named Standard and Extended ACLs

You can identify IPv4 ACLs with an alphanumeric string (a name) rather than a number. You can use named ACLs to configure more IPv4 access lists in a router than if you were to use numbered access lists. If you identify your access list with a name rather than a number, the mode and command syntax are slightly different. However, not all commands that use IP access lists accept a named access list.



### Note

The name you give to a standard or extended ACL can also be a number in the supported range of access list numbers. That is, the name of a standard IP ACL can be 1 to 99; the name of an extended IP ACL can be 100 to 199. The advantage of using named ACLs instead of numbered lists is that you can delete individual entries from a named list.

Consider these guidelines and limitations before configuring named ACLs:

- Not all commands that accept a numbered ACL accept a named ACL. ACLs for packet filters and route filters on interfaces can use a name. VLAN maps also accept a name.
- A standard ACL and an extended ACL cannot have the same name.
- Numbered ACLs are also available, as described in the “[Creating Standard and Extended IPv4 ACLs](#)” section on page 32-7.
- You can use standard and extended ACLs (named or numbered) in VLAN maps.

Beginning in privileged EXEC mode, follow these steps to create a standard ACL using names:

	Command	Purpose
Step 1	<b>configure terminal</b>	Enter global configuration mode.
Step 2	<b>ip access-list standard</b> <i>name</i>	Define a standard IPv4 access list using a name, and enter access-list configuration mode.  <b>Note</b> The name can be a number from 1 to 99.

	Command	Purpose
Step 3	<b>deny</b> { <i>source</i> [ <i>source-wildcard</i> ]   <b>host</b> <i>source</i>   <b>any</b> } [ <b>log</b> ] or <b>permit</b> { <i>source</i> [ <i>source-wildcard</i> ]   <b>host</b> <i>source</i>   <b>any</b> } [ <b>log</b> ]	In access-list configuration mode, specify one or more conditions denied or permitted to decide if the packet is forwarded or dropped. <ul style="list-style-type: none"> <li><b>host</b> <i>source</i>—A source and source wildcard of <i>source</i> 0.0.0.0.</li> <li><b>any</b>—A source and source wildcard of 0.0.0.0 255.255.255.255.</li> </ul>
Step 4	<b>end</b>	Return to privileged EXEC mode.
Step 5	<b>show access-lists</b> [ <i>number</i>   <i>name</i> ]	Show the access list configuration.
Step 6	<b>copy running-config startup-config</b>	(Optional) Save your entries in the configuration file.

To remove a named standard ACL, use the **no ip access-list standard** *name* global configuration command.

Beginning in privileged EXEC mode, follow these steps to create an extended ACL using names:

	Command	Purpose
Step 1	<b>configure terminal</b>	Enter global configuration mode.
Step 2	<b>ip access-list extended</b> <i>name</i>	Define an extended IPv4 access list using a name and enter access-list configuration mode. <b>Note</b> The name can be a number from 100 to 199.
Step 3	{ <b>deny</b>   <b>permit</b> } <i>protocol</i> { <i>source</i> [ <i>source-wildcard</i> ]   <b>host</b> <i>source</i>   <b>any</b> } { <i>destination</i> [ <i>destination-wildcard</i> ]   <b>host</b> <i>destination</i>   <b>any</b> } [ <b>precedence</b> <i>precedence</i> ] [ <b>tos</b> <i>tos</i> ] [ <b>established</b> ] [ <b>log</b> ] [ <b>time-range</b> <i>time-range-name</i> ]	In access-list configuration mode, specify the conditions allowed or denied. Use the <b>log</b> keyword to get access list logging messages, including violations. See the “ <a href="#">Creating a Numbered Extended ACL</a> ” section on page 32-10 for definitions of protocols and other keywords. <ul style="list-style-type: none"> <li><b>host</b> <i>source</i>—A source and source wildcard of <i>source</i> 0.0.0.0.</li> <li><b>host</b> <i>destination</i>—A destination and destination wildcard of <i>destination</i> 0.0.0.0.</li> <li><b>any</b>—A source and source wildcard or destination and destination wildcard of 0.0.0.0 255.255.255.255.</li> </ul>
Step 4	<b>end</b>	Return to privileged EXEC mode.
Step 5	<b>show access-lists</b> [ <i>number</i>   <i>name</i> ]	Show the access list configuration.
Step 6	<b>copy running-config startup-config</b>	(Optional) Save your entries in the configuration file.

To remove a named extended ACL, use the **no ip access-list extended** *name* global configuration command.

When you are creating standard extended ACLs, remember that, by default, the end of the ACL contains an implicit deny statement for everything if it did not find a match before reaching the end. For standard ACLs, if you omit the mask from an associated IP host address access list specification, 0.0.0.0 is assumed to be the mask.

After you create an ACL, any additions are placed at the end of the list. You cannot selectively add ACL entries to a specific ACL. However, you can use **no permit** and **no deny** access-list configuration mode commands to remove entries from a named ACL.

This example shows how you can delete individual ACEs from the named access list *border-list*:

```
Switch(config)# ip access-list extended border-list
Switch(config-ext-nacl)# no permit ip host 10.1.1.3 any
```

Being able to selectively remove lines from a named ACL is one reason you might use named ACLs instead of numbered ACLs.

After creating a named ACL, you can apply it to interfaces (see the [“Applying an IPv4 ACL to an Interface”](#) section on page 32-19) or to VLANs (see the [“Configuring VLAN Maps”](#) section on page 32-29).

## Using Time Ranges with ACLs

You can selectively apply extended ACLs based on the time of day and week by using the **time-range** global configuration command. First, define a time-range name and set the times and the dates or the days of the week in the time range. Then enter the time-range name when applying an ACL to set restrictions to the access list. You can use the time range to define when the permit or deny statements in the ACL are in effect, for example, during a specified time period or on specified days of the week. The **time-range** keyword and argument are referenced in the named and numbered extended ACL task tables in the previous sections, the [“Creating Standard and Extended IPv4 ACLs”](#) section on page 32-7, and the [“Creating Named Standard and Extended ACLs”](#) section on page 32-14.

These are some of the many possible benefits of using time ranges:

- You have more control over permitting or denying a user access to resources, such as an application (identified by an IP address/mask pair and a port number).
- You can control logging messages. ACL entries can be set to log traffic only at certain times of the day. Therefore, you can simply deny access without needing to analyze many logs generated during peak hours.

Time-based access lists trigger CPU activity because the new configuration of the access list must be merged with other features and the combined configuration loaded into the TCAM. For this reason, you should be careful not to have several access lists configured to take affect in close succession (within a small number of minutes of each other.)



### Note

The time range relies on the switch system clock; therefore, you need a reliable clock source. We recommend that you use Network Time Protocol (NTP) to synchronize the switch clock. For more information, see the [“Managing the System Time and Date”](#) section on page 5-1.

Beginning in privileged EXEC mode, follow these steps to configure a time-range parameter for an ACL:

	Command	Purpose
Step 1	<b>configure terminal</b>	Enter global configuration mode.
Step 2	<b>time-range</b> <i>time-range-name</i>	Assign a meaningful name (for example, <i>workhours</i> ) to the time range to be created, and enter time-range configuration mode. The name cannot contain a space or quotation mark and must begin with a letter.

	Command	Purpose
Step 3	<b>absolute</b> [start <i>time date</i> ] [end <i>time date</i> ] or <b>periodic</b> <i>day-of-the-week hh:mm to</i> [ <i>day-of-the-week</i> ] <i>hh:mm</i> or <b>periodic</b> { <b>weekdays</b>   <b>weekend</b>   <b>daily</b> } <i>hh:mm to hh:mm</i>	Specify when the function it will be applied to is operational. <ul style="list-style-type: none"> <li>You can use only one <b>absolute</b> statement in the time range. If you configure more than one absolute statement, only the one configured last is executed.</li> <li>You can enter multiple <b>periodic</b> statements. For example, you could configure different hours for weekdays and weekends.</li> </ul> See the example configurations.
Step 4	<b>end</b>	Return to privileged EXEC mode.
Step 5	<b>show time-range</b>	Verify the time-range configuration.
Step 6	<b>copy running-config startup-config</b>	(Optional) Save your entries in the configuration file.

Repeat the steps if you want multiple items in effect at different times. To remove a configured time-range limitation, use the **no time-range** *time-range-name* global configuration command.

This example shows how to configure time ranges for *workhours* and to configure January 1, 2006 as a company holiday and to verify your configuration.

```
Switch(config)# time-range workhours
Switch(config-time-range)# periodic weekdays 8:00 to 12:00
Switch(config-time-range)# periodic weekdays 13:00 to 17:00
Switch(config-time-range)# exit
Switch(config)# time-range new_year_day_2006
Switch(config-time-range)# absolute start 00:00 1 Jan 2006 end 23:59 1 Jan 2006
Switch(config-time-range)# end
Switch# show time-range
time-range entry: new_year_day_2003 (inactive)
  absolute start 00:00 01 January 2006 end 23:59 01 January 2006
time-range entry: workhours (inactive)
  periodic weekdays 8:00 to 12:00
  periodic weekdays 13:00 to 17:00
```

To apply a time-range, enter the time-range name in an extended ACL that can implement time ranges. This example shows how to create and verify extended access list 188 that denies TCP traffic from any source to any destination during the defined holiday times and permits all TCP traffic during work hours.

```
Switch(config)# access-list 188 deny tcp any any time-range new_year_day_2006
Switch(config)# access-list 188 permit tcp any any time-range workhours
Switch(config)# end
Switch# show access-lists
Extended IP access list 188
  10 deny tcp any any time-range new_year_day_2006 (inactive)
  20 permit tcp any any time-range workhours (inactive)
```

This example uses named ACLs to permit and deny the same traffic.

```
Switch(config)# ip access-list extended deny_access
Switch(config-ext-nacl)# deny tcp any any time-range new_year_day_2006
Switch(config-ext-nacl)# exit
Switch(config)# ip access-list extended may_access
Switch(config-ext-nacl)# permit tcp any any time-range workhours
Switch(config-ext-nacl)# end
Switch# show ip access-lists
Extended IP access list deny_access
  10 deny tcp any any time-range new_year_day_2006 (inactive)
Extended IP access list may_access
  10 permit tcp any any time-range workhours (inactive)
```

## Including Comments in ACLs

You can use the **remark** keyword to include comments (remarks) about entries in any IP standard or extended ACL. The remarks make the ACL easier for you to understand and scan. Each remark line is limited to 100 characters.

The remark can go before or after a permit or deny statement. You should be consistent about where you put the remark so that it is clear which remark describes which permit or deny statement. For example, it would be confusing to have some remarks before the associated permit or deny statements and some remarks after the associated statements.

To include a comment for IP numbered standard or extended ACLs, use the **access-list** *access-list number* **remark** *remark* global configuration command. To remove the remark, use the **no** form of this command.

In this example, the workstation that belongs to Jones is allowed access, and the workstation that belongs to Smith is not allowed access:

```
Switch(config)# access-list 1 remark Permit only Jones workstation through
Switch(config)# access-list 1 permit 171.69.2.88
Switch(config)# access-list 1 remark Do not allow Smith through
Switch(config)# access-list 1 deny 171.69.3.13
```

For an entry in a named IP ACL, use the **remark** access-list configuration command. To remove the remark, use the **no** form of this command.

In this example, the Jones subnet is not allowed to use outbound Telnet:

```
Switch(config)# ip access-list extended telnetting
Switch(config-ext-nacl)# remark Do not allow Jones subnet to telnet out
Switch(config-ext-nacl)# deny tcp host 171.69.2.88 any eq telnet
```

## Applying an IPv4 ACL to a Terminal Line

You can use numbered ACLs to control access to one or more terminal lines. You cannot apply named ACLs to lines. You must set identical restrictions on all the virtual terminal lines because a user can attempt to connect to any of them.

For procedures for applying ACLs to interfaces, see the [“Applying an IPv4 ACL to an Interface” section on page 32-19](#). For applying ACLs to VLANs, see the [“Configuring VLAN Maps” section on page 32-29](#).

Beginning in privileged EXEC mode, follow these steps to restrict incoming and outgoing connections between a virtual terminal line and the addresses in an ACL:

	Command	Purpose
Step 1	<b>configure terminal</b>	Enter global configuration mode.
Step 2	<b>line</b> [ <b>console</b>   <b>vty</b> ] <i>line-number</i>	Identify a specific line to configure, and enter in-line configuration mode. <ul style="list-style-type: none"> <li><b>console</b>—Specify the console terminal line. The console port is DCE.</li> <li><b>vty</b>—Specify a virtual terminal for remote console access.</li> </ul> The <i>line-number</i> is the first line number in a contiguous group that you want to configure when the line type is specified. The range is from 0 to 16.
Step 3	<b>access-class</b> <i>access-list-number</i> { <b>in</b>   <b>out</b> }	Restrict incoming and outgoing connections between a particular virtual terminal line (into a device) and the addresses in an access list.

	Command	Purpose
Step 4	<b>end</b>	Return to privileged EXEC mode.
Step 5	<b>show running-config</b>	Display the access list configuration.
Step 6	<b>copy running-config startup-config</b>	(Optional) Save your entries in the configuration file.

To remove an ACL from a terminal line, use the **no access-class** *access-list-number* {**in** | **out**} line configuration command.

## Applying an IPv4 ACL to an Interface

This section describes how to apply IPv4 ACLs to network interfaces. You can apply an ACL to *either* outbound or inbound Layer 3 interfaces. You can apply ACLs only to inbound Layer 2 interfaces. Note these guidelines:

- When controlling access to an interface, you can use a named or numbered ACL.
- If you apply an ACL to a Layer 2 interface that is a member of a VLAN, the Layer 2 (port) ACL takes precedence over an input Layer 3 ACL applied to the VLAN interface or a VLAN map applied to the VLAN. Incoming packets received on the Layer 2 port are always filtered by the port ACL.
- If you apply an ACL to a Layer 3 interface and routing is not enabled on the switch, the ACL only filters packets that are intended for the CPU, such as SNMP, Telnet, or web traffic. You do not have to enable routing to apply ACLs to Layer 2 interfaces.
- When private VLANs are configured, you can apply router ACLs only on the primary-VLAN SVIs. The ACL is applied to both primary and secondary VLAN Layer 3 traffic.



### Note

By default, the router sends Internet Control Message Protocol (ICMP) unreachable messages when a packet is denied by an access group. These access-group denied packets are not dropped in hardware but are bridged to the switch CPU so that it can generate the ICMP-unreachable message.

Beginning in privileged EXEC mode, follow these steps to control access to an interface:

	Command	Purpose
Step 1	<b>configure terminal</b>	Enter global configuration mode.
Step 2	<b>interface</b> <i>interface-id</i>	Identify a specific interface for configuration, and enter interface configuration mode.  The interface can be a Layer 2 interface (port ACL), or a Layer 3 interface (router ACL).
Step 3	<b>no shutdown</b>	Enable the port, if necessary. By default, user network interfaces (UNIs) and enhanced network interfaces (ENIs) are disabled, and network node interfaces (NNIs) are enabled.
Step 4	<b>ip access-group</b> { <i>access-list-number</i> / <i>name</i> } { <b>in</b>   <b>out</b> }	Control access to the specified interface.  The <b>out</b> keyword is not supported for Layer 2 interfaces (port ACLs).
Step 5	<b>end</b>	Return to privileged EXEC mode.
Step 6	<b>show running-config</b>	Display the access list configuration.
Step 7	<b>copy running-config startup-config</b>	(Optional) Save your entries in the configuration file.

To remove the specified access group, use the **no ip access-group** *{access-list-number | name}* **{in | out}** interface configuration command.

This example shows how to apply access list 2 to a port to filter packets entering the port:

```
Switch(config)# interface gigabitethernet0/1
Router(config-if)# ip access-group 2 in
```


**Note**

When you apply the **ip access-group** interface configuration command to a Layer 3 interface (an SVI, a Layer 3 EtherChannel, or a routed port), the interface must have been configured with an IP address. Layer 3 access groups filter packets that are routed or are received by Layer 3 processes on the CPU.

For inbound ACLs, after receiving a packet, the switch checks the packet against the ACL. If the ACL permits the packet, the switch continues to process the packet. If the ACL rejects the packet, the switch discards the packet.

For outbound ACLs, after receiving and routing a packet to a controlled interface, the switch checks the packet against the ACL. If the ACL permits the packet, the switch sends the packet. If the ACL rejects the packet, the switch discards the packet.

By default, the input interface sends ICMP Unreachable messages whenever a packet is discarded, regardless of whether the packet was discarded because of an ACL on the input interface or because of an ACL on the output interface. ICMP Unreachables are normally limited to no more than one every one-half second per input interface, but this can be changed by using the **ip icmp rate-limit unreachable** global configuration command.

When you apply an undefined ACL to an interface, the switch acts as if the ACL has not been applied to the interface and permits all packets. Remember this behavior if you use undefined ACLs for network security.

## Hardware and Software Treatment of IP ACLs

ACL processing is primarily accomplished in hardware, but requires forwarding of some traffic flows to the CPU for software processing. If the hardware reaches its capacity to store ACL configurations, packets are sent to the CPU for forwarding. The forwarding rate for software-forwarded traffic is substantially less than for hardware-forwarded traffic.


**Note**

If an ACL configuration cannot be implemented in hardware due to an out-of-resource condition on a switch, then only the traffic in that VLAN arriving on that switch is affected (forwarded in software). Software forwarding of packets might adversely impact the performance of the switch, depending on the number of CPU cycles that this consumes.

For router ACLs, other factors can cause packets to be sent to the CPU:

- Using the **log** keyword
- Generating ICMP unreachable messages

When traffic flows are both logged and forwarded, forwarding is done by hardware, but logging must be done by software. Because of the difference in packet handling capacity between hardware and software, if the sum of all flows being logged (both permitted flows and denied flows) is of great enough bandwidth, not all of the packets that are forwarded can be logged.

If router ACL configuration cannot be applied in hardware, packets arriving in a VLAN that must be routed are routed in software. If ACLs cause large numbers of packets to be sent to the CPU, the switch performance can be negatively affected.



When you enter the **show ip access-lists** privileged EXEC command, the match count displayed does not account for packets that are access controlled in hardware. Use the **show access-lists hardware counters** privileged EXEC command to obtain some basic hardware ACL statistics for switched and routed packets.

Router ACLs function as follows:

- The hardware controls permit and deny actions of standard and extended ACLs (input and output) for security access control.
- If **log** has not been specified, the flows that match a *deny* statement in a security ACL are dropped by the hardware if *ip unreachable* is disabled. The flows matching a *permit* statement are switched in hardware.
- Adding the **log** keyword to an ACE in a router ACL causes a copy of the packet to be sent to the CPU for logging only. If the ACE is a *permit* statement, the packet is still switched and routed in hardware.

## Troubleshooting ACLs

If this ACL manager message appears and [chars] is the access-list name,

```
ACLMGR-2-NOVMR: Cannot generate hardware representation of access list [chars]
```

The switch has insufficient resources to create a hardware representation of the ACL. The resources include hardware memory and label space but not CPU memory. A lack of available logical operation units or specialized hardware resources causes this problem. Logical operation units are needed for a TCP flag match or a test other than **eq** (**ne**, **gt**, **lt**, or **range**) on TCP, UDP, or SCTP port numbers.

Use one of these workarounds:

- Modify the ACL configuration to use fewer resources.
- Rename the ACL with a name or number that alphanumerically precedes the ACL names or numbers.

To determine the specialized hardware resources, enter the **show platform layer4 acl map** privileged EXEC command. If the switch does not have available resources, the output shows that index 0 to index 15 are not available.

For more information about configuring ACLs with insufficient resources, see CSCsq63926 in the Bug Toolkit.

For example, if you apply this ACL to an interface:

```
permit tcp source source-wildcard destination destination-wildcard range 5 60
permit tcp source source-wildcard destination destination-wildcard range 15 160
permit tcp source source-wildcard destination destination-wildcard range 115 1660
permit tcp source source-wildcard destination destination-wildcard
```

And if this message appears:

```
ACLMGR-2-NOVMR: Cannot generate hardware representation of access list [chars]
```

The flag-related operators are not available. To avoid this issue,

- Move the fourth ACE before the first ACE by using **ip access-list resequence** global configuration command:

```
permit tcp source source-wildcard destination destination-wildcard
permit tcp source source-wildcard destination destination-wildcard range 5 60
permit tcp source source-wildcard destination destination-wildcard range 15 160
permit tcp source source-wildcard destination destination-wildcard range 115 1660
```

or

- Rename the ACL with a name or number that alphanumerically precedes the other ACLs (for example, rename ACL 79 to ACL 1).

You can now apply the first ACE in the ACL to the interface. The switch allocates the ACE to available mapping bits in the Opselect index and then allocates flag-related operators to use the same bits in the TCAM.

## IPv4 ACL Configuration Examples

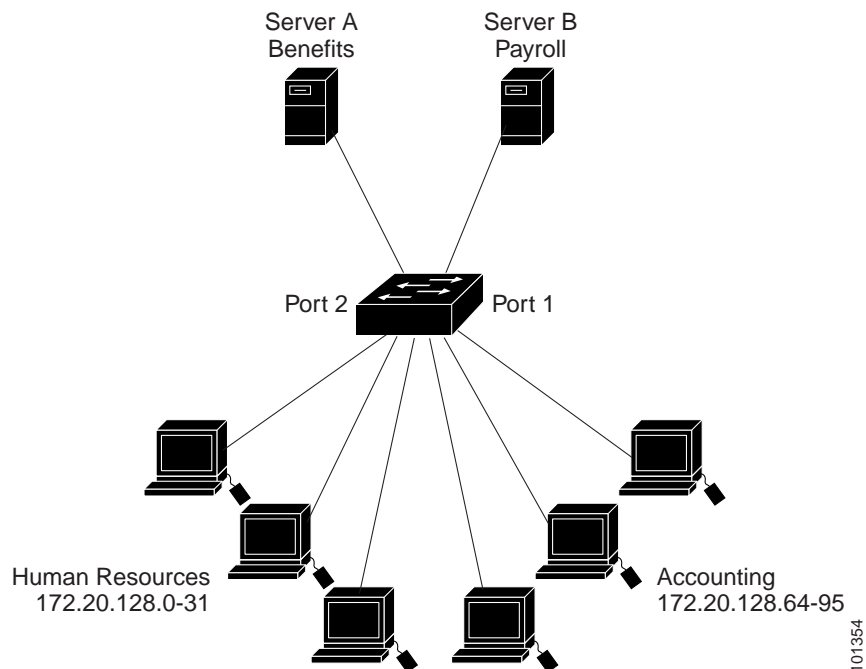
This section provides examples of configuring and applying IPv4 ACLs. For detailed information about compiling ACLs, see the *Cisco IOS Security Configuration Guide, Release 12.2* and to the Configuring IP Services” section in the “IP Addressing and Services” chapter of the *Cisco IOS IP Configuration Guide, Release 12.2*.

Figure 32-3 shows a small networked office environment with routed Port 2 connected to Server A, containing benefits and other information that all employees can access, and routed Port 1 connected to Server B, containing confidential payroll data. All users can access Server A, but Server B has restricted access.

Use router ACLs to do this in one of two ways:

- Create a standard ACL, and filter traffic coming to the server from Port 1.
- Create an extended ACL, and filter traffic coming from the server into Port 1.

**Figure 32-3** Using Router ACLs to Control Traffic



This example uses a standard ACL to filter traffic coming into Server B from a port, permitting traffic only from Accounting's source addresses 172.20.128.64 to 172.20.128.95. The ACL is applied to traffic coming out of routed Port 1 from the specified source address.

```
Switch(config)# access-list 6 permit 172.20.128.64 0.0.0.31
Switch(config)# end
Switch# show access-lists
Standard IP access list 6
    10 permit 172.20.128.64, wildcard bits 0.0.0.31
Switch(config)# interface gigabitethernet0/1
Switch(config-if)# ip access-group 6 out
```

This example uses an extended ACL to filter traffic coming from Server B into a port, permitting traffic from any source address (in this case Server B) to only the Accounting destination addresses 172.20.128.64 to 172.20.128.95. The ACL is applied to traffic going into routed Port 1, permitting it to go only to the specified destination addresses. Note that with extended ACLs, you must enter the protocol (IP) before the source and destination information.

```
Switch(config)# access-list 106 permit ip any 172.20.128.64 0.0.0.31
Switch(config)# end
Switch# show access-lists
Extended IP access list 106
    10 permit ip any 172.20.128.64 0.0.0.31
Switch(config)# interface gigabitethernet0/1
Switch(config-if)# ip access-group 106 in
```

## Numbered ACLs

In this example, network 36.0.0.0 is a Class A network whose second octet specifies a subnet; that is, its subnet mask is 255.255.0.0. The third and fourth octets of a network 36.0.0.0 address specify a particular host. Using access list 2, the switch accepts one address on subnet 48 and reject all others on that subnet. The last line of the list shows that the switch accepts addresses on all other network 36.0.0.0 subnets. The ACL is applied to packets entering a port.

```
Switch(config)# access-list 2 permit 36.48.0.3
Switch(config)# access-list 2 deny 36.48.0.0 0.0.255.255
Switch(config)# access-list 2 permit 36.0.0.0 0.255.255.255
Switch(config)# interface gigabitethernet0/1
Switch(config-if)# ip access-group 2 in
```

## Extended ACLs

In this example, the first line permits any incoming TCP connections with destination ports greater than 1023. The second line permits incoming TCP connections to the Simple Mail Transfer Protocol (SMTP) port of host 128.88.1.2. The third line permits incoming ICMP messages for error feedback.

```
Switch(config)# access-list 102 permit tcp any 128.88.0.0 0.0.255.255 gt 1023
Switch(config)# access-list 102 permit tcp any host 128.88.1.2 eq 25
Switch(config)# access-list 102 permit icmp any any
Switch(config)# interface gigabitethernet0/1
Switch(config-if)# ip access-group 102 in
```

For another example of using an extended ACL, suppose that you have a network connected to the Internet, and you want any host on the network to be able to form TCP connections to any host on the Internet. However, you do not want IP hosts to be able to form TCP connections to hosts on your network, except to the mail (SMTP) port of a dedicated mail host.

SMTP uses TCP port 25 on one end of the connection and a random port number on the other end. The same port numbers are used throughout the life of the connection. Mail packets coming in from the Internet have a destination port of 25. Outbound packets have the port numbers reversed. Because the secure system of the network always accepts mail connections on port 25, the incoming and outgoing services are separately controlled. The ACL must be configured as an input ACL on the outbound interface and an output ACL on the inbound interface.

In this example, the network is a Class B network with the address 128.88.0.0, and the mail host address is 128.88.1.2. The **established** keyword is used only for the TCP to show an established connection. A match occurs if the TCP datagram has the ACK or RST bits set, which show that the packet belongs to an existing connection. Gigabit Ethernet interface 1 is the interface that connects the router to the Internet.

```
Switch(config)# access-list 102 permit tcp any 128.88.0.0 0.0.255.255 established
Switch(config)# access-list 102 permit tcp any host 128.88.1.2 eq 25
Switch(config)# interface gigabitethernet0/1
Switch(config-if)# ip access-group 102 in
```

## Named ACLs

This example creates a standard ACL named *internet\_filter* and an extended ACL named *marketing\_group*. The *internet\_filter* ACL allows all traffic from the source address 1.2.3.4.

```
Switch(config)# ip access-list standard Internet_filter
Switch(config-ext-nacl)# permit 1.2.3.4
Switch(config-ext-nacl)# exit
```

The *marketing\_group* ACL allows any TCP Telnet traffic to the destination address and wildcard 171.69.0.0 0.0.255.255 and denies any other TCP traffic. It permits ICMP traffic, denies UDP traffic from any source to the destination address range 171.69.0.0 through 179.69.255.255 with a destination port less than 1024, denies any other IP traffic, and provides a log of the result.

```
Switch(config)# ip access-list extended marketing_group
Switch(config-ext-nacl)# permit tcp any 171.69.0.0 0.0.255.255 eq telnet
Switch(config-ext-nacl)# deny tcp any any
Switch(config-ext-nacl)# permit icmp any any
Switch(config-ext-nacl)# deny udp any 171.69.0.0 0.0.255.255 lt 1024
Switch(config-ext-nacl)# deny ip any any log
Switch(config-ext-nacl)# exit
```

The *Internet\_filter* ACL is applied to outgoing traffic and the *marketing\_group* ACL is applied to incoming traffic on a Layer 3 port.

```
Switch(config)# interface gigabitethernet0/2
Switch(config-if)# no switchport
Switch(config-if)# ip address 2.0.5.1 255.255.255.0
Switch(config-if)# ip access-group Internet_filter out
Switch(config-if)# ip access-group marketing_group in
```

## Time Range Applied to an IP ACL

This example denies HTTP traffic on IP on Monday through Friday between the hours of 8:00 a.m. and 6:00 p.m (18:00). The example allows UDP traffic only on Saturday and Sunday from noon to 8:00 p.m. (20:00).

```
Switch(config)# time-range no-http
Switch(config)# periodic weekdays 8:00 to 18:00
!
Switch(config)# time-range udp-yes
Switch(config)# periodic weekend 12:00 to 20:00
```

```

!
Switch(config)# ip access-list extended strict
Switch(config-ext-nacl)# deny tcp any any eq www time-range no-http
Switch(config-ext-nacl)# permit udp any any time-range udp-yes
!
Switch(config-ext-nacl)# exit
Switch(config)# interface gigabitethernet0/1
Switch(config-if)# ip access-group strict in

```

## Commented IP ACL Entries

In this example of a numbered ACL, the workstation that belongs to Jones is allowed access, and the workstation that belongs to Smith is not allowed access:

```

Switch(config)# access-list 1 remark Permit only Jones workstation through
Switch(config)# access-list 1 permit 171.69.2.88
Switch(config)# access-list 1 remark Do not allow Smith workstation through
Switch(config)# access-list 1 deny 171.69.3.13

```

In this example of a numbered ACL, the Winter and Smith workstations are not allowed to browse the web:

```

Switch(config)# access-list 100 remark Do not allow Winter to browse the web
Switch(config)# access-list 100 deny host 171.69.3.85 any eq www
Switch(config)# access-list 100 remark Do not allow Smith to browse the web
Switch(config)# access-list 100 deny host 171.69.3.13 any eq www

```

In this example of a named ACL, the Jones subnet is not allowed access:

```

Switch(config)# ip access-list standard prevention
Switch(config-std-nacl)# remark Do not allow Jones subnet through
Switch(config-std-nacl)# deny 171.69.0.0 0.0.255.255

```

In this example of a named ACL, the Jones subnet is not allowed to use outbound Telnet:

```

Switch(config)# ip access-list extended telnetting
Switch(config-ext-nacl)# remark Do not allow Jones subnet to telnet out
Switch(config-ext-nacl)# deny tcp 171.69.0.0 0.0.255.255 any eq telnet

```

## ACL Logging

Two variations of logging are supported on router ACLs. The **log** keyword sends an informational logging message to the console about the packet that matches the entry; the **log-input** keyword includes the input interface in the log entry.

In this example, standard named access list *stan1* denies traffic from 10.1.1.0 0.0.0.255, allows traffic from all other sources, and includes the **log** keyword.

```

Switch(config)# ip access-list standard stan1
Switch(config-std-nacl)# deny 10.1.1.0 0.0.0.255 log
Switch(config-std-nacl)# permit any log
Switch(config-std-nacl)# exit
Switch(config)# interface gigabitethernet0/1
Switch(config-if)# ip access-group stan1 in
Switch(config-if)# end
Switch# show logging
Syslog logging: enabled (0 messages dropped, 0 flushes, 0 overruns)
  Console logging: level debugging, 37 messages logged
  Monitor logging: level debugging, 0 messages logged
  Buffer logging: level debugging, 37 messages logged
  File logging: disabled
  Trap logging: level debugging, 39 message lines logged

```

```

Log Buffer (4096 bytes):

00:00:48: NTP: authentication delay calculation problems

<output truncated>

00:09:34:%SEC-6-IPACCESSLOGS:list stan1 permitted 0.0.0.0 1 packet
00:09:59:%SEC-6-IPACCESSLOGS:list stan1 denied 10.1.1.15 1 packet
00:10:11:%SEC-6-IPACCESSLOGS:list stan1 permitted 0.0.0.0 1 packet

```

This example is a named extended access list *ext1* that permits ICMP packets from any source to 10.1.1.0 0.0.0.255 and denies all UDP packets.

```

Switch(config)# ip access-list extended ext1
Switch(config-ext-nacl)# permit icmp any 10.1.1.0 0.0.0.255 log
Switch(config-ext-nacl)# deny udp any any log
Switch(config-std-nacl)# exit
Switch(config)# interface gigabitethernet0/2
Switch(config-if)# ip access-group ext1 in

```

This is an example of a log for an extended ACL:

```

01:24:23:%SEC-6-IPACCESSLOGDP:list ext1 permitted icmp 10.1.1.15 -> 10.1.1.61 (0/0), 1
packet
01:25:14:%SEC-6-IPACCESSLOGDP:list ext1 permitted icmp 10.1.1.15 -> 10.1.1.61 (0/0), 7
packets
01:26:12:%SEC-6-IPACCESSLOGP:list ext1 denied udp 0.0.0.0(0) -> 255.255.255.255(0), 1
packet
01:31:33:%SEC-6-IPACCESSLOGP:list ext1 denied udp 0.0.0.0(0) -> 255.255.255.255(0), 8
packets

```

Note that all logging entries for IP ACLs start with %SEC-6-IPACCESSLOG with minor variations in format depending on the kind of ACL and the access entry that has been matched.

This is an example of an output message when the **log-input** keyword is entered:

```

00:04:21:%SEC-6-IPACCESSLOGDP:list inputlog permitted icmp 10.1.1.10 (Vlan1
0001.42ef.a400) -> 10.1.1.61 (0/0), 1 packet

```

A log message for the same sort of packet using the **log** keyword does not include the input interface information:

```

00:05:47:%SEC-6-IPACCESSLOGDP:list inputlog permitted icmp 10.1.1.10 -> 10.1.1.61 (0/0), 1
packet

```

## Creating Named MAC Extended ACLs

You can filter non-IPv4 traffic on a VLAN or on a Layer 2 interface by using MAC addresses and named MAC extended ACLs. The procedure is similar to that of configuring other extended named ACLs.



### Note

You cannot apply named MAC extended ACLs to Layer 3 interfaces.

For more information about the supported non-IP protocols in the **mac access-list extended** command, see the command reference for this release.

**Note**

Though visible in the command-line help strings, **appletalk** is not supported as a matching condition for the **deny** and **permit** MAC access-list configuration mode commands.

Beginning in privileged EXEC mode, follow these steps to create a named MAC extended ACL:

	Command	Purpose
Step 1	<b>configure terminal</b>	Enter global configuration mode.
Step 2	<b>mac access-list extended</b> <i>name</i>	Define an extended MAC access list using a name.
Step 3	<b>{deny   permit} {any   host source MAC address / source MAC address mask} {any   host destination MAC address / destination MAC address mask} [type mask   lsap lsap mask   aarp   amber   dec-spanning   decnet-iv   diagnostic   dsm   etype-6000   etype-8042   lat   larc-sca   mop-console   mop-dump   msdos   mumps   netbios   vines-echo   vines-ip   xns-idp   0-65535] [cos cos]</b>	<p>In extended MAC access-list configuration mode, specify to <b>permit</b> or <b>deny</b> any source MAC address, a source MAC address with a mask, or a specific <b>host</b> source MAC address and <b>any</b> destination MAC address, destination MAC address with a mask, or a specific destination MAC address.</p> <p>(Optional) You can also enter these options:</p> <ul style="list-style-type: none"> <li><i>type mask</i>—An arbitrary EtherType number of a packet with Ethernet II or SNAP encapsulation in decimal, hexadecimal, or octal with optional mask of <i>don't care</i> bits applied to the EtherType before testing for a match.</li> <li><b>lsap lsap mask</b>—An LSAP number of a packet with IEEE 802.2 encapsulation in decimal, hexadecimal, or octal with optional mask of <i>don't care</i> bits.</li> <li><b>aarp   amber   dec-spanning   decnet-iv   diagnostic   dsm   etype-6000   etype-8042   lat   larc-sca   mop-console   mop-dump   msdos   mumps   netbios   vines-echo   vines-ip   xns-idp</b>—A non-IP protocol.</li> <li><b>cos cos</b>—An IEEE 802.1Q cost of service number from 0 to 7 used to set priority.</li> </ul>
Step 4	<b>end</b>	Return to privileged EXEC mode.
Step 5	<b>show access-lists</b> [ <i>number</i>   <i>name</i> ]	Show the access list configuration.
Step 6	<b>copy running-config startup-config</b>	(Optional) Save your entries in the configuration file.

Use the **no mac access-list extended** *name* global configuration command to delete the entire ACL. You can also delete individual ACEs from named MAC extended ACLs.

This example shows how to create and display an access list named *mac1*, denying only EtherType DECnet Phase IV traffic, but permitting all other types of traffic.

```
Switch(config)# mac access-list extended mac1
Switch(config-ext-macl)# deny any any decnet-iv
Switch(config-ext-macl)# permit any any
Switch(config-ext-macl)# end
Switch # show access-lists
Extended MAC access list mac1
    10 deny any any decnet-iv
    20 permit any any
```

## Applying a MAC ACL to a Layer 2 Interface

After you create a MAC ACL, you can apply it to a Layer 2 interface to filter non-IP traffic coming in that interface. When you apply the MAC ACL, consider these guidelines:

- If you apply an ACL to a Layer 2 interface that is a member of a VLAN, the Layer 2 (port) ACL takes precedence over an input Layer 3 ACL applied to the VLAN interface or a VLAN map applied to the VLAN. Incoming packets received on the Layer 2 port are always filtered by the port ACL.
- You can apply no more than one IP access list and one MAC access list to the same Layer 2 interface. The IP access list filters only IP packets, and the MAC access list filters non-IP packets.
- A Layer 2 interface can have only one MAC access list. If you apply a MAC access list to a Layer 2 interface that has a MAC ACL configured, the new ACL replaces the previously configured one.

Beginning in privileged EXEC mode, follow these steps to apply a MAC access list to control access to a Layer 2 interface:

	Command	Purpose
Step 1	<b>configure terminal</b>	Enter global configuration mode.
Step 2	<b>interface</b> <i>interface-id</i>	Identify a specific interface, and enter interface configuration mode. The interface must be a physical Layer 2 interface (port ACL).
Step 3	<b>no shutdown</b>	Enable the port, if necessary. By default, UNIs and ENIs are disabled, and NNIs are enabled.
Step 4	<b>mac access-group</b> { <i>name</i> } { <b>in</b> }	Control access to the specified interface by using the MAC access list.  <b>Note</b> Port ACLs are supported only in the inbound direction.
Step 5	<b>end</b>	Return to privileged EXEC mode.
Step 6	<b>show mac access-group</b> [ <b>interface</b> <i>interface-id</i> ]	Display the MAC access list applied to the interface or all Layer 2 interfaces.
Step 7	<b>copy running-config startup-config</b>	(Optional) Save your entries in the configuration file.

To remove the specified access group, use the **no mac access-group** {*name*} interface configuration command.

This example shows how to apply MAC access list *mac1* to a port to filter packets entering the port:

```
Switch(config)# interface gigabitethernet0/2
Router(config-if)# mac access-group mac1 in
```



### Note

The **mac access-group** interface configuration command is only valid when applied to a physical Layer 2 interface. You cannot use the command on EtherChannel port channels.

After receiving a packet, the switch checks it against the inbound ACL. If the ACL permits it, the switch continues to process the packet. If the ACL rejects the packet, the switch discards it. When you apply an undefined ACL to an interface, the switch acts as if the ACL has not been applied and permits all packets. Remember this behavior if you use undefined ACLs for network security.



# Configuring VLAN Maps

This section describes how to configure VLAN maps, which is the only way to control filtering within a VLAN. VLAN maps have no direction. To filter traffic in a specific direction by using a VLAN map, you need to include an ACL with specific source or destination addresses. If there is a match clause for that type of packet (IP or MAC) in the VLAN map, the default action is to drop the packet if the packet does not match any of the entries within the map. If there is no match clause for that type of packet, the default is to forward the packet.

**Note**

For complete syntax and usage information for the commands used in this section, see the command reference for this release.

To create a VLAN map and apply it to one or more VLANs, perform these steps:

- Step 1** Create the standard or extended IPv4 ACLs or named MAC extended ACLs that you want to apply to the VLAN. See the “[Creating Standard and Extended IPv4 ACLs](#)” section on page 32-7 and the “[Creating a VLAN Map](#)” section on page 32-30.
- Step 2** Enter the **vlan access-map** global configuration command to create a VLAN ACL map entry.
- Step 3** In access-map configuration mode, optionally enter an **action**—**forward** (the default) or **drop**—and enter the **match** command to specify an IP packet or a non-IP packet (with only a known MAC address) and to match the packet against one or more ACLs (standard or extended).

**Note**

If the VLAN map has a match clause for a type of packet (IP or MAC) and the map action is drop, all packets that match the type are dropped. If the VLAN map has no match clause and the configured action is drop, then all IP and Layer 2 packets are dropped.

- Step 4** Use the **vlan filter** global configuration command to apply a VLAN map to one or more VLANs.

These sections contain this configuration information:

- [VLAN Map Configuration Guidelines](#), page 32-29
- [Creating a VLAN Map](#), page 32-30
- [Applying a VLAN Map to a VLAN](#), page 32-33
- [Using VLAN Maps in Your Network](#), page 32-33

## VLAN Map Configuration Guidelines

- If there is no ACL configured to deny traffic on an interface and *no* VLAN map is configured, all traffic is permitted.
- Each VLAN map consists of a series of entries. The order of entries in an VLAN map is important. A packet that comes into the switch is tested against the first entry in the VLAN map. If it matches, the action specified for that part of the VLAN map is taken. If there is no match, the packet is tested against the next entry in the map.

- If the VLAN map has at least one match clause for the type of packet (IP or MAC) and the packet does not match any of these match clauses, the default is to drop the packet. If there is no match clause for that type of packet in the VLAN map, the default is to forward the packet.
- The system might take longer to boot if you have configured a very large number of ACLs.
- Logging is not supported for VLAN maps.
- If VLAN map configuration cannot be applied in hardware, all packets in that VLAN must be routed by software.
- When a switch has an IP access list or MAC access list applied to a Layer 2 interface, and you apply a VLAN map to a VLAN that the port belongs to, the port ACL takes precedence over the VLAN map.
- You can configure VLAN maps on primary and secondary VLANs. However, we recommend that you configure the same VLAN maps on private-VLAN primary and secondary VLANs.
- When a frame is Layer-2 forwarded within a private VLAN, the same VLAN map is applied at the ingress side and at the egress side. When a frame is routed from inside a private VLAN to an external port, the private-VLAN map is applied at the ingress side.
  - For frames going upstream from a host port to a promiscuous port, the VLAN map configured on the secondary VLAN is applied.
  - For frames going downstream from a promiscuous port to a host port, the VLAN map configured on the primary VLAN is applied.

To filter out specific IP traffic for a private VLAN, you should apply the VLAN map to both the primary and secondary VLANs. For more information about private VLANs, see [Chapter 13, “Configuring Private VLANs.”](#)

- See the [“Using VLAN Maps in Your Network”](#) section on page 32-33 for configuration examples.
- For information about using both router ACLs and VLAN maps, see the [“VLAN Maps and Router ACL Configuration Guidelines”](#) section on page 32-36.

## Creating a VLAN Map

Each VLAN map consists of an ordered series of entries. Beginning in privileged EXEC mode, follow these steps to create, add to, or delete a VLAN map entry:

	Command	Purpose
Step 1	<b>configure terminal</b>	Enter global configuration mode.
Step 2	<b>vlan access-map</b> <i>name</i> [ <i>number</i> ]	Create a VLAN map, and give it a name and (optionally) a number. The number is the sequence number of the entry within the map.  When you create VLAN maps with the same name, numbers are assigned sequentially in increments of 10. When modifying or deleting maps, you can enter the number of the map entry that you want to modify or delete.  Entering this command changes to access-map configuration mode.
Step 3	<b>action</b> { <b>drop</b>   <b>forward</b> }	(Optional) Set the action for the map entry. The default is to forward.

	Command	Purpose
Step 4	<b>match {ip   mac} address {name / number} [name / number]</b>	Match the packet (using either the IP or MAC address) against one or more standard or extended access lists. Note that packets are only matched against access lists of the correct protocol type. IP packets are matched against standard or extended IP access lists. Non-IP packets are only matched against named MAC extended access lists.
Step 5	<b>end</b>	Return to global configuration mode.
Step 6	<b>show running-config</b>	Display the access list configuration.
Step 7	<b>copy running-config startup-config</b>	(Optional) Save your entries in the configuration file.

Use the **no vlan access-map name** global configuration command to delete a map.

Use the **no vlan access-map name number** global configuration command to delete a single sequence entry from within the map.

Use the **no action** access-map configuration command to enforce the default action, which is to forward.

VLAN maps do not use the specific permit or deny keywords. To deny a packet by using VLAN maps, create an ACL that would match the packet, and set the action to drop. A permit in the ACL counts as a match. A deny in the ACL means no match.

## Examples of ACLs and VLAN Maps

These examples show how to create ACLs and VLAN maps that for specific purposes.

### Example 1

This example shows how to create an ACL and a VLAN map to deny a packet. In the first map, any packets that match the *ip1* ACL (TCP packets) would be dropped. You first create the *ip1* ACL to permit any TCP packet and no other packets. Because there is a match clause for IP packets in the VLAN map, the default action is to drop any IP packet that does not match any of the match clauses.

```
Switch(config)# ip access-list extended ip1
Switch(config-ext-nacl)# permit tcp any any
Switch(config-ext-nacl)# exit
Switch(config)# vlan access-map map_1 10
Switch(config-access-map)# match ip address ip1
Switch(config-access-map)# action drop
```

This example shows how to create a VLAN map to permit a packet. ACL *ip2* permits UDP packets and any packets that match the *ip2* ACL are forwarded. In this map, any IP packets that did not match any of the previous ACLs (that is, packets that are not TCP packets or UDP packets) would get dropped.

```
Switch(config)# ip access-list extended ip2
Switch(config-ext-nacl)# permit udp any any
Switch(config-ext-nacl)# exit
Switch(config)# vlan access-map map_1 20
Switch(config-access-map)# match ip address ip2
Switch(config-access-map)# action forward
```

## Example 2

In this example, the VLAN map has a default action of drop for IP packets and a default action of forward for MAC packets. Used with standard ACL 101 and extended named access lists **igmp-match** and **tcp-match**, the map will have the following results:

- Forward all UDP packets
- Drop all IGMP packets
- Forward all TCP packets
- Drop all other IP packets
- Forward all non-IP packets

```
Switch(config)# access-list 101 permit udp any any
Switch(config)# ip access-list extended igmp-match
Switch(config-ext-nacl)# permit igmp any any
Switch(config)# ip access-list extended tcp-match
Switch(config-ext-nacl)# permit tcp any any
Switch(config-ext-nacl)# exit
Switch(config)# vlan access-map drop-ip-default 10
Switch(config-access-map)# match ip address 101
Switch(config-access-map)# action forward
Switch(config-access-map)# exit
Switch(config)# vlan access-map drop-ip-default 20
Switch(config-access-map)# match ip address igmp-match
Switch(config-access-map)# action drop
Switch(config-access-map)# exit
Switch(config)# vlan access-map drop-ip-default 30
Switch(config-access-map)# match ip address tcp-match
Switch(config-access-map)# action forward
```

## Example 3

In this example, the VLAN map has a default action of drop for MAC packets and a default action of forward for IP packets. Used with MAC extended access lists **good-hosts** and **good-protocols**, the map will have the following results:

- Forward MAC packets from hosts 0000.0c00.0111 and 0000.0c00.0211
- Forward MAC packets with decnet-iv or vines-ip protocols
- Drop all other non-IP packets
- Forward all IP packets

```
Switch(config)# mac access-list extended good-hosts
Switch(config-ext-macl)# permit host 000.0c00.0111 any
Switch(config-ext-macl)# permit host 000.0c00.0211 any
Switch(config-ext-nacl)# exit
Switch(config)# mac access-list extended good-protocols
Switch(config-ext-macl)# permit any any decnet-ip
Switch(config-ext-macl)# permit any any vines-ip
Switch(config-ext-nacl)# exit
Switch(config)# vlan access-map drop-mac-default 10
Switch(config-access-map)# match mac address good-hosts
Switch(config-access-map)# action forward
Switch(config-access-map)# exit
Switch(config)# vlan access-map drop-mac-default 20
Switch(config-access-map)# match mac address good-protocols
Switch(config-access-map)# action forward
```

## Example 4

In this example, the VLAN map has a default action of drop for all packets (IP and non-IP). Used with access lists **tcp-match** and **good-hosts** from Examples 2 and 3, the map will have the following results:

- Forward all TCP packets
- Forward MAC packets from hosts 0000.0c00.0111 and 0000.0c00.0211
- Drop all other IP packets
- Drop all other MAC packets

```
Switch(config)# vlan access-map drop-all-default 10
Switch(config-access-map)# match ip address tcp-match
Switch(config-access-map)# action forward
Switch(config-access-map)# exit
Switch(config)# vlan access-map drop-all-default 20
Switch(config-access-map)# match mac address good-hosts
Switch(config-access-map)# action forward
```

## Applying a VLAN Map to a VLAN

Beginning in privileged EXEC mode, follow these steps to apply a VLAN map to one or more VLANs:

	Command	Purpose
Step 1	<b>configure terminal</b>	Enter global configuration mode.
Step 2	<b>vlan filter</b> <i>mapname</i> <b>vlan-list</b> <i>list</i>	Apply the VLAN map to one or more VLAN IDs.  The list can be a single VLAN ID (22), a consecutive list (10-22), or a string of VLAN IDs (12, 22, 30). Spaces around the comma and hyphen are optional.
Step 3	<b>show running-config</b>	Display the access list configuration.
Step 4	<b>copy running-config startup-config</b>	(Optional) Save your entries in the configuration file.

To remove the VLAN map, use the **no vlan filter** *mapname* **vlan-list** *list* global configuration command.

This example shows how to apply VLAN map 1 to VLANs 20 through 22:

```
Switch(config)# vlan filter map 1 vlan-list 20-22
```

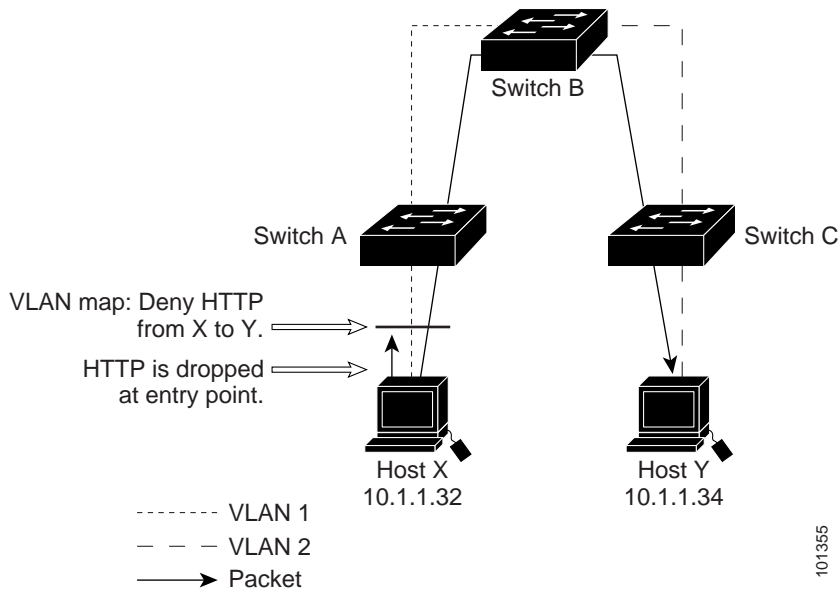
## Using VLAN Maps in Your Network

- [Wiring Closet Configuration, page 32-33](#)
- [Denying Access to a Server on Another VLAN, page 32-34](#)

### Wiring Closet Configuration

In a wiring closet configuration, routing might not be enabled on the switch. In this configuration, the switch can still support a VLAN map and a QoS classification ACL. In [Figure 32-4](#), assume that Host X and Host Y are in different VLANs and are connected to wiring closet switches A and C. Traffic from Host X to Host Y is eventually being routed by Switch B, a Layer 3 switch with routing enabled. Traffic from Host X to Host Y can be access-controlled at the traffic entry point, Switch A.

Figure 32-4 Wiring Closet Configuration



If you do not want HTTP traffic switched from Host X to Host Y, you can configure a VLAN map on Switch A to drop all HTTP traffic from Host X (IP address 10.1.1.32) to Host Y (IP address 10.1.1.34) at Switch A and not forward it to Switch B.

First, define the IP access list *http* that permits (matches) any TCP traffic on the HTTP port.

```
Switch(config)# ip access-list extended http
Switch(config-ext-nacl)# permit tcp host 10.1.1.32 host 10.1.1.34 eq www
Switch(config-ext-nacl)# exit
```

Next, create VLAN access map *map2* so that traffic that matches the *http* access list is dropped and all other IP traffic is forwarded.

```
Switch(config)# vlan access-map map2 10
Switch(config-access-map)# match ip address http
Switch(config-access-map)# action drop
Switch(config-access-map)# exit
Switch(config)# ip access-list extended match_all
Switch(config-ext-nacl)# permit ip any any
Switch(config-ext-nacl)# exit
Switch(config)# vlan access-map map2 20
Switch(config-access-map)# match ip address match_all
Switch(config-access-map)# action forward
```

Then, apply VLAN access map *map2* to VLAN 1.

```
Switch(config)# vlan filter map2 vlan 1
```

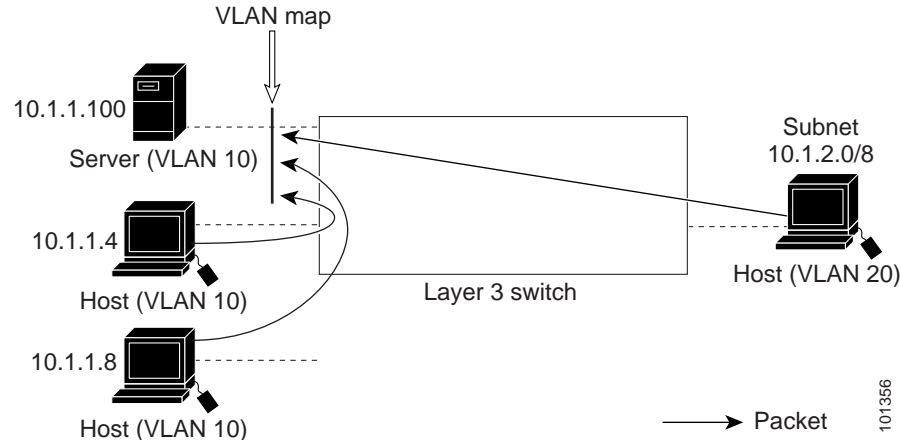
## Denying Access to a Server on Another VLAN

You can restrict access to a server on another VLAN. For example, server 10.1.1.100 in VLAN 10 needs to have access denied to these hosts (see Figure 32-5):

- Hosts in subnet 10.1.2.0/8 in VLAN 20 should not have access.
- Hosts 10.1.1.4 and 10.1.1.8 in VLAN 10 should not have access.

101355

Figure 32-5 Deny Access to a Server on Another VLAN



This example shows how to deny access to a server on another VLAN by creating the VLAN map SERVER1 that denies access to hosts in subnet 10.1.2.0.8, host 10.1.1.4, and host 10.1.1.8 and permits other IP traffic. The final step is to apply the map SERVER1 to VLAN 10.

**Step 1** Define the IP ACL that will match the correct packets.

```
Switch(config)# ip access-list extended SERVER1_ACL
Switch(config-ext-nacl)# permit ip 10.1.2.0 0.0.0.255 host 10.1.1.100
Switch(config-ext-nacl)# permit ip host 10.1.1.4 host 10.1.1.100
Switch(config-ext-nacl)# permit ip host 10.1.1.8 host 10.1.1.100
Switch(config-ext-nacl)# exit
```

**Step 2** Define a VLAN map using this ACL that will drop IP packets that match SERVER1\_ACL and forward IP packets that do not match the ACL.

```
Switch(config)# vlan access-map SERVER1_MAP
Switch(config-access-map)# match ip address SERVER1_ACL
Switch(config-access-map)# action drop
Switch(config)# vlan access-map SERVER1_MAP 20
Switch(config-access-map)# action forward
Switch(config-access-map)# exit
```

**Step 3** Apply the VLAN map to VLAN 10.

```
Switch(config)# vlan filter SERVER1_MAP vlan-list 10.
```

## Using VLAN Maps with Router ACLs

To access control routed traffic, you can use VLAN maps only or a combination of router ACLs and VLAN maps. You can define router ACLs on both input and output routed VLAN interfaces. If a packet flow matches a VLAN-map deny clause in the ACL, regardless of the router ACL configuration, the packet flow is denied.



### Note

When you use router ACLs with VLAN maps, packets that require logging on the router ACLs are not logged if they are denied by a VLAN map.

If the VLAN map has a match clause for the type of packet (IP or MAC) and the packet does not match the type, the default is to drop the packet. If there is no match clause in the VLAN map, and no action specified, the packet is forwarded if it does not match any VLAN map entry.

These sections contain information about using VLAN maps with router ACLs:

- [VLAN Maps and Router ACL Configuration Guidelines, page 32-36](#)
- [Examples of Router ACLs and VLAN Maps Applied to VLANs, page 32-37](#)

## VLAN Maps and Router ACL Configuration Guidelines

These guidelines are for configurations where you need to have an router ACL *and* a VLAN map on the same VLAN. These guidelines do not apply to configurations where you are mapping router ACLs and VLAN maps on different VLANs.

The switch hardware provides one lookup for security ACLs for each direction (input and output); therefore, you must merge a router ACL and a VLAN map when they are configured on the same VLAN. Merging the router ACL with the VLAN map might significantly increase the number of ACEs.

If you must configure a router ACL and a VLAN map on the same VLAN, use these guidelines for both router ACL and VLAN map configuration:

- You can configure only one VLAN map and one router ACL in each direction (input/output) on a VLAN interface.
- Whenever possible, try to write the ACL with all entries having a single action except for the final, default action of the other type. That is, write the ACL using one of these two forms:

```
permit...
permit...
permit...
deny ip any any
```

or

```
deny...
deny...
deny...
permit ip any any
```

- To define multiple actions in an ACL (permit, deny), group each action type together to reduce the number of entries.
- Avoid including Layer 4 information in an ACL; adding this information complicates the merging process. The best merge results are obtained if the ACLs are filtered based on IP addresses (source and destination) and not on the full flow (source IP address, destination IP address, protocol, and protocol ports). It is also helpful to use *don't care* bits in the IP address, whenever possible.

If you need to specify the full-flow mode and the ACL contains both IP ACEs and TCP/UDP/ICMP ACEs with Layer 4 information, put the Layer 4 ACEs at the end of the list. This gives priority to the filtering of traffic based on IP addresses.



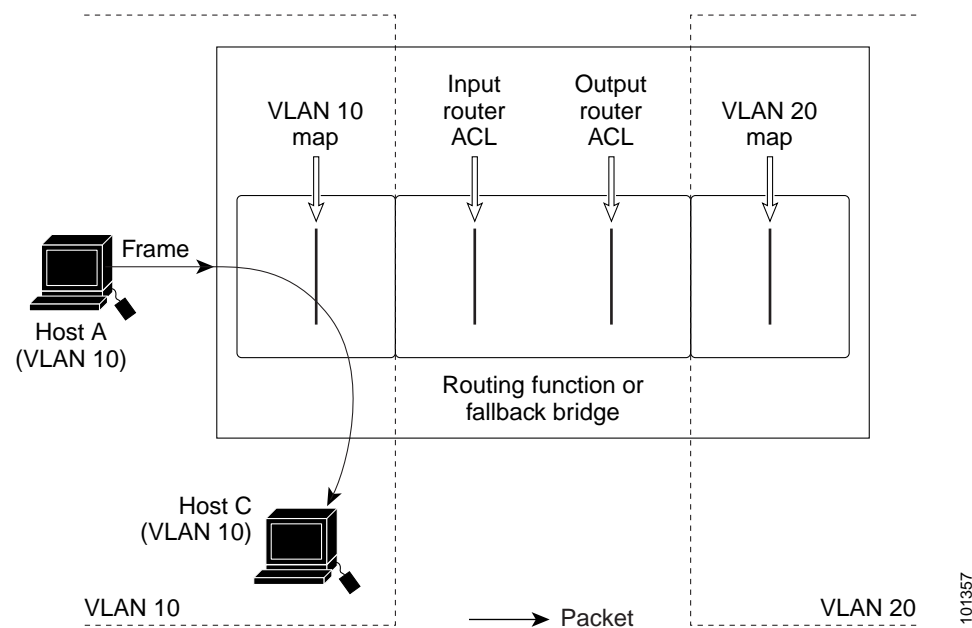
## Examples of Router ACLs and VLAN Maps Applied to VLANs

This section gives examples of applying router ACLs and VLAN maps to a VLAN for switched, routed, and multicast packets. Although the following illustrations show packets being forwarded to their destination, each time the packet's path crosses a line indicating a VLAN map or an ACL, it is also possible that the packet might be dropped, rather than forwarded.

### ACLs and Switched Packets

Figure 32-6 shows how an ACL is applied on packets that are switched within a VLAN. Packets switched within the VLAN without being routed or forwarded are only subject to the VLAN map of the input VLAN.

Figure 32-6 Applying ACLs on Switched Packets

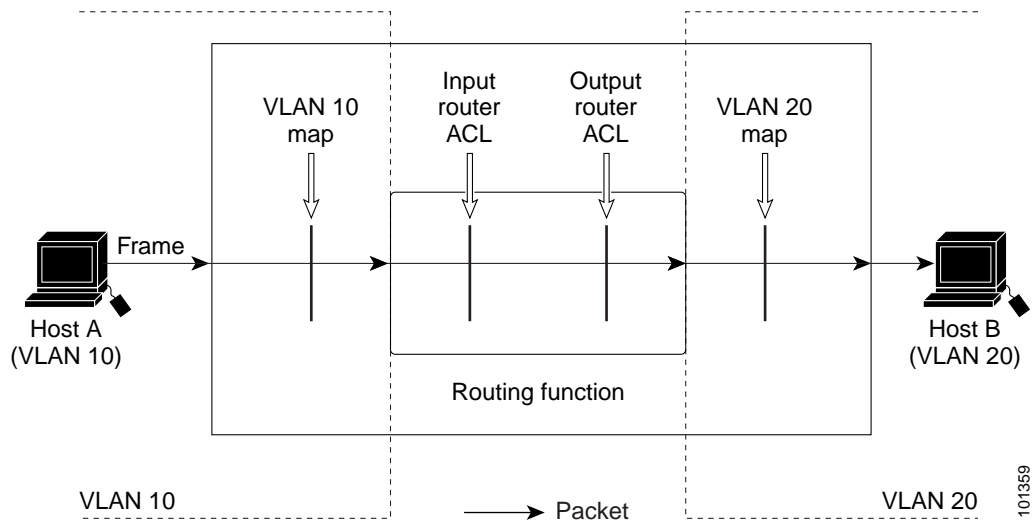


### ACLs and Routed Packets

Figure 32-7 shows how ACLs are applied on routed packets. For routed packets, the ACLs are applied in this order:

1. VLAN map for input VLAN
2. Input router ACL
3. Output router ACL
4. VLAN map for output VLAN

Figure 32-7 Applying ACLs on Routed Packets

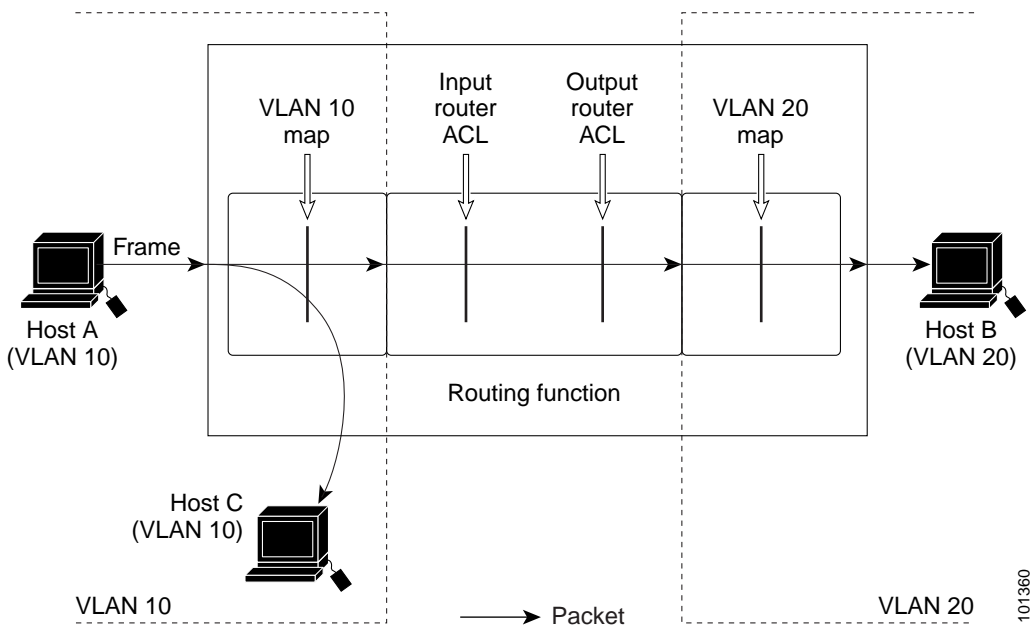


## ACLs and Multicast Packets

Figure 32-8 shows how ACLs are applied on packets that are replicated for IP multicasting. A multicast packet being routed has two different kinds of filters applied: one for destinations that are other ports in the input VLAN and another for each of the destinations that are in other VLANs to which the packet has been routed. The packet might be routed to more than one output VLAN, in which case a different router output ACL and VLAN map would apply for each destination VLAN.

The final result is that the packet might be permitted in some of the output VLANs and not in others. A copy of the packet is forwarded to those destinations where it is permitted. However, if the input VLAN map (VLAN 10 map in Figure 32-8) drops the packet, no destination receives a copy of the packet.

Figure 32-8 Applying ACLs on Multicast Packets



## Displaying IPv4 ACL Configuration

You can display the ACLs that are configured on the switch, and you can display the ACLs that have been applied to interfaces and VLANs.

When you use the **ip access-group** interface configuration command to apply ACLs to a Layer 2 interface, you can display the access groups on the interface. You can also display the MAC ACLs applied to a Layer 2 interface. You can use the privileged EXEC commands as described in [Table 32-2](#) to display this information.

**Table 32-2** Commands for Displaying Access Lists and Access Groups

Command	Purpose
<b>show access-lists</b> [ <i>number / name</i> ]	Displays the contents of one or all current IP and MAC address access lists or a specific access list (numbered or named).
<b>show ip access-lists</b> [ <i>number / name</i> ]	Displays the contents of all current IP access lists or a specific IP access list (numbered or named).
<b>show ip interface</b> <i>interface-id</i>	Displays detailed configuration and status of an interface. If IP is enabled on the interface and ACLs have been applied by using the <b>ip access-group</b> interface configuration command, the access groups are included in the display.
<b>show running-config</b> [ <b>interface</b> <i>interface-id</i> ]	Displays the contents of the configuration file for the switch or the specified interface, including all configured MAC and IP access lists and which access groups are applied to an interface.
<b>show mac access-group</b> [ <b>interface</b> <i>interface-id</i> ]	Displays MAC access lists applied to all Layer 2 interfaces or the specified Layer 2 interface.

You can also display information about VLAN access maps or VLAN filters. Use the privileged EXEC commands in [Table 32-3](#) to display VLAN map information.

**Table 32-3** Commands for Displaying VLAN Map Information

Command	Purpose
<b>show vlan access-map</b> [ <i>mapname</i> ]	Shows information about all VLAN access-maps or the specified access map.
<b>show vlan filter</b> [ <b>access-map</b> <i>name</i> / <b>vlan</b> <i>vlan-id</i> ]	Shows information about all VLAN filters or about a specified VLAN or VLAN access map.





## Configuring Control-Plane Security

---

This chapter describes the control-plane security feature in the Cisco ME 3400E Ethernet Access switch. In any network, Layer 2 and Layer 3 switches exchange control packets with other switches in the network. The Cisco ME switch, which acts as a transition between the customer network and the service-provider network, uses control-plane security to ensure that the topology information between the two networks is isolated. This mechanism protects against a possible denial-of-service attack from another customer network.

- [Understanding Control-Plane Security, page 33-1](#)
- [Configuring Control-Plane Security, page 33-6](#)
- [Monitoring Control-Plane Security, page 33-7](#)

### Understanding Control-Plane Security

In the Cisco ME switch, ports configured as network node interfaces (NNIs) connect to the service-provider network. The switch communicates with the rest of the network through these ports, exchanging protocol control packets as well as regular traffic. Other ports on the Cisco ME switch are user network interfaces (UNIs) that are used as customer-facing ports. Each port is connected to a single customer, and exchanging network protocol control packets between the switch and the customer is not usually required. Most Layer 2 protocols are not supported on UNIs. To protect against accidental or intentional CPU overload, the Cisco ME switch provides control-plane security automatically by dropping or rate-limiting a predefined set of Layer 2 control packets and some Layer 3 control packets for UNIs.

You can also configure a third port type, an enhanced network interface (ENI). An ENI, like a UNI, is a customer-facing interface. By default on an ENI, Layer 2 control protocols, such as Cisco Discovery Protocol (CDP), Spanning-Tree Protocol (STP), Link Layer Discovery Protocol (LLDP) are disabled. On ENIs, unlike UNIs, you can enable these protocols. When configuring ENIs in port channels, you can also enable Link Aggregation Control Protocol (LACP), and Port Aggregation Protocol (PAgP). ENIs drop or rate-limit the protocol packets, depending on whether the protocol is enabled or disabled on the interface. For all other control protocols on ENIs, the switch drops or rate-limits packets the same way as it does for UNIs.

CPU protection, which is enabled by default, uses 19 policers per port. When it is enabled, you can configure a maximum of 45 policers per port. If you need to configure more policers per port, you can disable CPU protection by entering the **no policer cpu uni all** global configuration command and reloading the switch. When CPU protection is disabled, you can configure a maximum of 63 policers per port (62 on every 4th port) for user-defined classes and one for class-default.

**Note**

When CPU is turned off, protocol packets can reach the CPU, which could cause CPU processing overload and storm control through software.

Control-plane security is supported on a port for Layer 2 control packets and non-IP packets with router MAC addresses, regardless of whether the port is in routing or nonrouting mode. (A port is in routing mode when global IP routing is enabled and the port is configured with the **no switchport** interface configuration command or is associated with a VLAN that has an active switch virtual interface [SVI].) These packets are either dropped or rate-limited, depending upon the Layer 2 protocol configuration. For Layer 3 control packets, on a port in routing mode (whether or not a Layer 3 service policy is attached), control-plane security supports rate-limiting only Internet Group Management Protocol (IGMP) control packets. For Layer 3 packets, on a port in nonrouting mode (whether or not a Layer 2 service policy is attached), only IP packets with router MAC addresses are dropped.

These types of control packets are dropped or rate-limited:

- Layer 2 protocol control packets:
  - Control packets that are always dropped on UNIs and ENIs, such as Dynamic Trunking Protocol (DTP) packets and some bridge protocol data units (BPDUs).
  - Control packets that are dropped by default but can be enabled or tunneled, such as CDP, STP, LLDP, VLAN Trunking Protocol (VTP), UniDirectional Link Detection (UDLD) Protocol, LACP, and PAgP packets. When enabled, these protocol packets are rate-limited and tunneled through the switch.
  - Control or management packets that are required by the switch, such as keepalive packets. These control packets are processed by the CPU but are rate-limited to normal and safe limits to prevent CPU overload.
- Non-IP packets with router MAC addresses
- IP packets with router MAC addresses
- IGMP control packets that are enabled by default and need to be rate-limited. However, when IGMP snooping and IP multicast routing are disabled, the packets are treated like data packets, and no policers are assigned to them.

The switch uses policing to accomplish control-plane security by either dropping or rate-limiting Layer 2 control packets. If a Layer 2 protocol is enabled on a UNI or ENI port or tunneled on the switch, those protocol packets are rate-limited; otherwise control packets are dropped.

By default, some protocol traffic is dropped by the CPU, and some is rate-limited. [Table 33-1](#) shows the default action and the action taken for Layer 2 protocol packets when the feature is enabled or when Layer 2 protocol tunneling is enabled for the protocol. Note that some features cannot be enabled on UNIs, and not all protocols can be tunneled (shown by dashes). If Layer 2 protocol tunneling is enabled for *any* of the supported protocols (CDP, STP, VTP, LLDP, LACP, PAgP, or UDLD), the switch Layer 2 protocol tunneling protocol uses the rate-limiting policer on every port. If UDLD is enabled on a port or UDLD tunneling is enabled, UDLD packets are rate-limited.

**Table 33-1** Control-Plane Security Actions on Layer 2 Protocol Packets Received on a UNI or ENI

Protocol	Default	When Feature Is Enabled	When Layer 2 Protocol Tunneling Is Enabled <sup>1</sup>
STP	Dropped	Rate limited <b>Note</b> STP can be enabled only on ENIs.	Rate-limited
RSVD_STP (reserved IEEE 802.1D addresses)	Dropped	When the Ethernet Link Management Interface (ELMI) is enabled, globally or on a per-port basis whichever is configured last, a throttle policer is assigned to a port. When ELMI is disabled (globally or on a port, whichever is configured last), a drop policer is assigned to a port.	
PVST+	Dropped	–	Rate limited
LACP	Dropped	Rate limited <b>Note</b> LACP can be enabled only on ENIs.	Rate limited
PAgP	Dropped	Rate limited <b>Note</b> PAgP can be enabled only on ENIs.	Rate limited
IEEE 802.1x	Dropped	Rate limited	–
CDP	Dropped	Rate limited <b>Note</b> CDP can be enabled only on ENIs.	Rate limited
LLDP	Dropped	Rate limited <b>Note</b> LLDP can be enabled only on ENIs.	Rate limited
DTP	Dropped	–	–
UDLD	Dropped	Rate limited	Rate limited
VTP	Dropped	–	Rate limited
CISCO_L2 (any other Cisco Layer 2 protocols with the MAC address 01:00:0c:cc:cc:cc)	Dropped	–	Rate limited if CDP, DTP, UDLD, PAgP, or VTP are Layer 2 tunneled
KEEPALIVE (MAC address, SNAP encapsulation, LLC, Org ID, or HDLC packets)	Rate-limited	–	–
Ethernet Connectivity Fault Management (CFM)	No policer assigned	When CFM is enabled globally, a throttle policer is assigned to all ports. When CFM is disabled globally, a NULL policer is assigned to all ports.	–

1. Layer 2 protocol traffic is rate-limited when Layer 2 protocol tunneling is enabled for any protocol on any port.

The switch automatically allocates 27 control-plane security policers for CPU protection. At system bootup, it assigns a policer to each port numbered 0 to 26. The policer assigned to a port determines if the protocol packets arriving on the port are rate-limited or dropped. On the ME 3400E-24TS switch, a policer of 26 means a drop policer and is a global policer; any traffic type shown as 26 on any port is dropped. A policer of a value of 0 to 25 means that a rate-limiting policer is assigned to the port for the protocol. The policers 0 to 23 are logical identifiers for Fast Ethernet ports 1 to 24; policers 24 and 25 refer to Gigabit Ethernet ports 1 and 2, respectively. A policer value of 255 means that no policer is assigned to a protocol.

For the ME 3400EG-12CS and ME 3400EG-2CS switches, a policer of 4 means a drop policer. A traffic type shown as 4 on a port is dropped. A policer value of 0 to 3 means that a rate-limiting policer is assigned to the port for the protocol.

To see what policer actions are assigned to the protocols on an interface, enter the **show platform policer cpu interface *interface-id*** privileged EXEC command.

**Note**

Unless otherwise indicated, the examples are for an ME 3400E-24TS switch.

This example shows the default policer configuration for a UNI. Because the port is Fast Ethernet 1, the identifier for rate-limited protocols is 0; a display for Fast Ethernet port 5 would display an identifier of 4. The *Policer Index* refers to the specific protocol. The ASIC number shows when the policer is on a different ASIC.

Because UNIs do not support STP, CDP, LLDP, LACP, and PAGP, these packets are dropped (physical policer of 26). These protocols are disabled by default on ENIs as well, but you can enable them. When enabled on ENIs, the control packets are rate limited and a rate-limiting policer is assigned to the port for these protocols (physical policer of 22).

```
Switch# show platform policer cpu interface fastethernet 0/3
Policers assigned for CPU protection
=====
Feature                               Policer      Physical     Asic
                                Index        Policer      Num
=====
Fa0/1
STP                                    1            26           0
LACP                                   2            26           0
8021X                                  3            26           0
RSVD_STP                               4            26           0
PVST_PLUS                              5            26           0
CDP                                     6            26           0
LLDP                                    7            26           0
DTP                                     8            26           0
UDLD                                    9            26           0
PAGP                                   10           26           0
VTP                                    11           26           0
CISCO_L2                               12           26           0
KEEPALIVE                              13           0            0
CFM                                     14           255          0
SWITCH_MAC                             15           26           0
SWITCH_ROUTER_MAC                      16           26           0
SWITCH_IGMP                            17           0            0
SWITCH_L2PT                             18           26           0
```



This example shows the policers assigned to a ENI when control protocols are enabled on the interface. A value of 22 shows that protocol packets are rate limited for that protocol. When the protocol is not enabled, the defaults are the same as for a UNI.

```
Switch# show platform policer cpu interface fastethernet0/23
Policers assigned for CPU protection
=====
Feature                               Policer      Physical     Asic
Index                                  Index        Policer      Num
=====
Fa0/23
STP                                    1            26           0
LACP                                   2            22           0
8021X                                  3            26           0
RSVD_STP                               4            26           0
PVST_PLUS                              5            26           0
CDP                                    6            22           0
LLDP                                   7            26           0
DTP                                    8            26           0
UDLD                                   9            26           0
PAGP                                  10           26           0
VTP                                    11           26           0
CISCO_L2                               12           22           0
KEEPALIVE                              13           22           0
CFM                                    14           255          0
SWITCH_MAC                             15           26           0
SWITCH_ROUTER_MAC                      16           26           0
SWITCH_IGMP                            17           22           0
SWITCH_L2PT                             18           22           0
```

This example shows rate limiting on a ME 3400EG-12CS or ME 34000EG-2CS switch. A value of 1 shows that protocol packets are rate limited for that protocol.

```
Switch #show platform policer cpu interface gigabitethernet 0/2
Policers assigned for CPU protection
=====
Feature                               Policer      Physical     Asic
Index                                  Index        Policer      Num
=====
Gi0/2
STP                                    1            4            0
LACP                                   2            4            0
8021X                                  3            4            0
RSVD_STP                               4            1            0
PVST_PLUS                              5            4            0
CDP                                    6            4            0
LLDP                                   7            4            0
DTP                                    8            4            0
UDLD                                   9            4            0
PAGP                                  10           4            0
VTP                                    11           4            0
CISCO_L2                               12           4            0
KEEPALIVE                              13           1            0
CFM                                    14           255          0
SWITCH_MAC                             15           4            0
SWITCH_ROUTER_MAC                      16           4            0
SWITCH_IGMP                            17           1            0
SWITCH_L2PT                             18           4            0
```

This example shows the default policers assigned to NNIs. Most protocols have no policers assigned to NNIs. A value of 255 means that no policer is assigned to the port for the protocol.

```
Switch #show platform policer cpu interface gigabitethernet 0/1
Policers assigned for CPU protection
=====
Feature                               Policer      Physical     Asic
Index                                  Policer      Num
=====
Gi0/1
STP                                    1            255          0
LACP                                    2            255          0
8021X                                   3            255          0
RSVD_STP                                4            255          0
PVST_PLUS                               5            255          0
CDP                                      6            255          0
LLDP                                    7            255          0
DTP                                      8            255          0
UDLD                                    9            255          0
PAGP                                    10           255          0
VTP                                      11           255          0
CISCO_L2                               12           255          0
KEEPALIVE                               13           255          0
CFM                                      14           255          0
SWITCH_MAC                              15           255          0
SWITCH_ROUTER_MAC                       16           255          0
SWITCH_IGMP                              17           255          0
SWITCH_L2PT                              18           255          0
```

## Configuring Control-Plane Security

CPU protection is enabled by default and CPU policers are pre-allocated. You can disable CPU protection by entering the **no policer cpu uni all** global configuration command or reenable it by entering the **policer cpu uni all** global configuration command. When you disable or enable CPU protection, you must reload the switch by entering the **reload** privileged EXEC command before the configuration takes effect.

When CPU protection is enabled, you can configure only 45 policers per port. Disabling CPU protection allows you to configure up to 64 policers per port. Note these limitations when you disable CPU protection:

- When CPU protection is disabled, you can configure a maximum of 63 policers per port (62 on every 4th port) for user-defined classes and one for class-default.
- On Cisco ME 3400EG-12CS switches, due to hardware limitations, you can attach 64 per-port, per-VLAN policers to a maximum of 6 ports. If you attempt to attach more than 6 per-port per VLAN 64-policer policy maps, the attachment fails with a *VLAN labels exceeded* error message.
- If you disable CPU protection and attach a policy map with more than 45 policers, and then enable CPU protection again, and reload, 19 policers per port are again required for CPU protection. During reload, the policers 46 and above will reach the *policer resources exceeded* error condition and no policers are attached to those classes.

You can configure only the rate-limiting threshold. The configured threshold applies to all supported control protocols on all UNIs and ENIs. It also applies to STP, CDP, LLDP, LACP, and PAGP when the protocol is enabled on an ENI.



**Note** During normal Layer 2 operation, you cannot ping the switch through a UNI or ENI. This restriction does not apply to NNIs. See the “Using Ping” section on page 46-10 for ways to enable ping in a test situation.

Beginning in privileged EXEC mode, follow these steps to set the threshold rate for CPU protection:

	Command	Purpose
Step 1	<b>configure terminal</b>	Enter global configuration mode.
Step 2	<b>policer cpu uni rate</b>	Configure the CPU protection policing threshold rate. The range is from 8000 to 409500 bits per second (b/s). The default, if none is configured, is 160000 b/s.  <b>Note</b> The configured rate applies to all supported and enabled control protocols on all UNIs and ENIs
Step 3	<b>end</b>	Return to privileged EXEC mode.
Step 4	<b>show policer cpu uni-eni rate</b>	Verify the configured CPU policer rate.
Step 5	<b>copy running-config startup-config</b>	(Optional) Save your entries in the configuration file.

To return to the default threshold rate, use the **no policer cpu uni** global configuration command. To disable CPU protection, enter the **no policer cpu uni all** global configuration command, and reload the switch.

This example shows how to set the CPU protection threshold to 10000 b/s and to verify the configuration.

```
Switch# config t
Enter configuration commands, one per line. End with CNTL/Z.
Switch(config)# policer cpu uni 10000
Switch(config)# end
Switch# show policer cpu uni-eni rate
CPU UNI/ENI port police rate = 10000 bps
```

This is an example of the show command output when CPU protection is disabled.

```
Switch# show policer cpu uni-eni rate
CPU Protection feature is not enabled
```

## Monitoring Control-Plane Security

You can monitor control-plane security settings and statistics on the switch or on an interface, and you can clear these statistics at any time by using the privileged EXEC commands in Table 33-2. For more information about the commands, see the command reference for this release.

**Table 33-2** Commands for Monitoring Control-Plane Security

Command	Purpose
<b>clear policer cpu uni-eni counters</b> { <b>classification</b>   <b>drop</b> }	Clear all control-plane statistics per feature ( <b>classification</b> ) or all statistics maintained by the control-plane policer ( <b>drop</b> ).
<b>debug platform policer cpu uni-eni</b>	Enable debugging of the control-plane policer. This command displays information messages when any changes are made to CPU protection.

Table 33-2 Commands for Monitoring Control-Plane Security (continued)

Command	Purpose
<b>show platform policer cpu</b> { <b>classification</b>   <b>interface</b> <i>interface-id</i> }	Display control-plane policer information. <ul style="list-style-type: none"> <li>• <b>classification</b>—show classification statistics.</li> <li>• <b>interface</b> <i>interface-id</i>—show policer indexes for the specified interface.</li> </ul>
<b>show policer cpu uni-eni</b> { <b>drop</b> [ <b>interface</b> <i>interface-id</i> ]   <b>rate</b> }	Display CPU policer information for the switch. <ul style="list-style-type: none"> <li>• <b>drop</b> [<b>interface</b> <i>interface-id</i>]—show the number of dropped frames for all interfaces or the specified interface.</li> <li>• <b>rate</b>—show the configured threshold rate for CPU policers.</li> </ul> If CPU protection is disabled, this message appears in the output: <pre>Switch# show policer cpu uni drop CPU Protection feature is not enabled</pre>



# CHAPTER 34

## Configuring QoS

---

This chapter describes how to configure quality of service (QoS) by using the modular QoS command-line interface (CLI), or MQC, commands on the Cisco ME 3400E Ethernet Access switch. With QoS, you can provide preferential treatment to certain types of traffic at the expense of others. When QoS is not configured, the switch offers best-effort service to each packet, regardless of the packet contents or size. It sends the packets without any assurance of reliability, delay bounds, or throughput. MQC provides a comprehensive hierarchical configuration framework for prioritizing or limiting specific streams of traffic.



Note

---

IPv6 QoS is not supported.

---

For more information about Cisco IOS MQC commands, see the “Cisco IOS Quality of Service Solutions Command Reference” at this site:

[http://www.cisco.com/en/US/docs/ios/qos/configuration/guide/12\\_4/qos\\_12\\_4\\_book.html](http://www.cisco.com/en/US/docs/ios/qos/configuration/guide/12_4/qos_12_4_book.html)

For complete syntax and usage information for the platform-specific commands used in this chapter, see the command reference for this release.

For information about using Ethernet terminal loopback to test full-path QoS on an interface, see the “Enabling Ethernet Loopback” section on page 43-43.

- [Understanding QoS, page 34-1](#)
- [QoS Treatment for Performance-Monitoring Protocols, page 34-22](#)
- [Configuring QoS, page 34-35](#)
- [Displaying QoS Information, page 34-98](#)
- [Configuration Examples for Policy Maps, page 34-99](#)

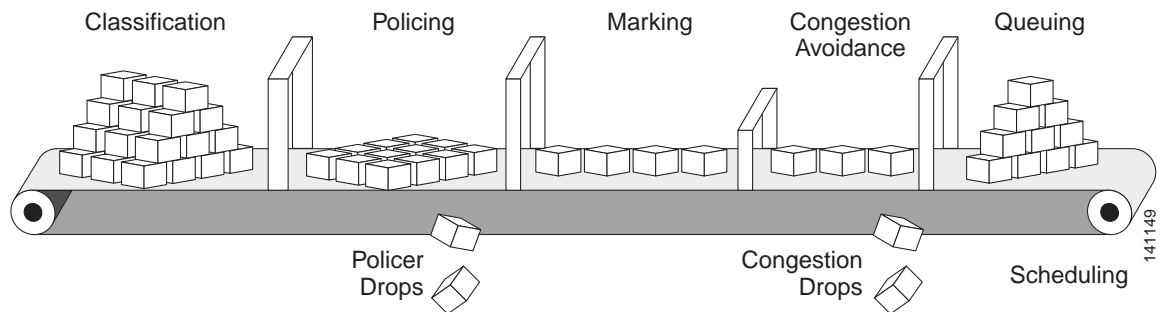
## Understanding QoS

Typically, networks operate on a best-effort delivery basis, which means that all traffic has equal priority and an equal chance of being delivered in a timely manner. When congestion occurs, all traffic has an equal chance of being dropped.

When you configure the QoS feature, you can select specific network traffic, prioritize it according to its relative importance, and use traffic-management techniques to provide preferential treatment. Implementing QoS in your network makes network performance more predictable and bandwidth utilization more effective.

Figure 34-1 shows the MQC model.

**Figure 34-1 Modular QoS CLI Model**



Basic QoS includes these actions.

- Packet classification organizes traffic on the basis of whether or not the traffic matches a specific criteria. When a packet is received, the switch identifies all key packet fields: class of service (CoS), Differentiated Services Code Point (DSCP), or IP precedence. The switch classifies the packet based on this content or based on an access-control list lookup. For more information, see the [“Classification” section on page 34-6](#).
- Packet policing determines whether a packet is in or out of profile by comparing the rate of the incoming traffic to the configured policer. You can configure a committed information rate (CIR) and peak information rate (PIR) and set actions to perform on packets that conform to the CIR and PIR (conform-action), packets that conform to the PIR, but not the CIR (exceed-action), and packets that exceed the PIR value (violate-action). For more information, see the [“Policing” section on page 34-16](#).
- Packet prioritization or marking evaluates the classification and policer information to determine the action to take. All packets that belong to a classification can be remarked. When you configure a policer, packets that meet or exceed the permitted bandwidth requirements (bits per second) can be conditionally passed through, dropped, or reclassified. For more information, see the [“Marking” section on page 34-21](#).
- Congestion management uses queuing and scheduling algorithms to queue and sort traffic that is leaving a port. The switch supports these scheduling and traffic-limiting features: class-based weighted fair queuing (CBWFQ), class-based traffic shaping, port shaping, and class-based priority queuing. You can provide guaranteed bandwidth to a particular class of traffic while still servicing other traffic queues. For more information, see the [“Congestion Management and Scheduling” section on page 34-26](#).
- Queuing on the switch is enhanced with the weighted tail-drop (WTD) algorithm, a congestion-avoidance mechanism. WTD differentiates traffic classes and regulates the queue size (in number of packets) based on the classification. For more information, see the [“Congestion Avoidance and Queuing” section on page 34-32](#).

This section includes information about these topics:

- [Modular QoS CLI, page 34-3](#)
- [Input and Output Policies, page 34-4](#)
- [Classification, page 34-6](#)
- [Table Maps, page 34-15](#)
- [Policing, page 34-16](#)
- [Marking, page 34-21](#)

- [Congestion Management and Scheduling, page 34-26](#)
- [Congestion Avoidance and Queuing, page 34-32](#)

## Modular QoS CLI

Modular QoS CLI (MQC) allows users to create traffic policies and attach these policies to interfaces. A traffic policy contains a traffic class and one or more QoS features. You use a traffic class to classify traffic, and the QoS features in the traffic policy determine how to treat the classified traffic.

Modular QoS CLI configuration includes these steps:

### Step 1 Define a traffic class.

Use the **class-map** [**match-all** | **match-any**] *class-map-name* global configuration command to define a traffic class and to enter class-map configuration mode. A traffic class contains three elements: a name, an instruction on how to evaluate the configured **match** commands (if more than one match command is configured in the class map), and a series of **match** commands

- You name the traffic class in the **class-map** command line to enter class-map configuration mode.
- You can optionally include keywords to evaluate these match commands by entering **class-map match-any** or **class-map match-all**. If you specify **match-any**, the traffic being evaluated must match *one* of the specified criteria. If you specify **match-all**, the traffic being evaluated must match *all* of the specified criteria. A **match-all** class map can contain only one match statement, but a **match-any** class map can contain multiple match statements.



**Note** If you do not enter **match-all** or **match-any**, the default is to match all.

- You use the **match** class-map configuration commands to specify criteria for classifying packets. If a packet matches the specified criteria, that packet is considered a member of the class and is forwarded according to the QoS specifications set in the traffic policy. Packets that fail to meet any of the matching criteria are classified as members of the default traffic class.

### Step 2 Create a traffic policy to associate the traffic class with one or more QoS features.

You use the **policy-map** *policy-map-name* global configuration command to create a traffic policy and to enter policy-map configuration mode. A traffic policy defines the QoS features to associate with the specified traffic class. A traffic policy contains three elements: a name, a traffic class (specified with the **class** policy-map configuration command), and the QoS policies configured in the class.

- You name the traffic policy in the **policy-map** command line to enter policy-map configuration mode.
- In policy-map configuration mode, enter the name of the traffic class used to classify traffic to the specified policy, and enter policy-map class configuration mode.
- In policy-map class configuration mode, you can enter the QoS features to apply to the classified traffic. These include using the **set**, **police**, or **police aggregate** commands for input policy maps or the **bandwidth**, **priority**, **queue-limit** or **shape average** commands for output policy maps.



**Note** A packet can match only one traffic class within a traffic policy. If a packet matches more than one traffic class in the traffic policy, the first traffic class defined in the policy is used. To configure more than one match criterion for packets, you can associate multiple traffic classes with a single traffic policy.

**Step 3** Attach the traffic policy to an interface.

You use the **service-policy** interface configuration command to attach the policy map to an interface for packets entering or leaving the interface. You must specify whether the traffic policy characteristics should be applied to incoming or outgoing packets. For example, entering the **service-policy output class1** interface configuration command attaches all the characteristics of the traffic policy named *class1* to the specified interface. All packets leaving the specified interface are evaluated according to the criteria specified in the traffic policy named *class1*.



**Note**

If you enter the **no policy-map** configuration command or the **no policy-map policy-map-name** global configuration command to delete a policy map that is attached to an interface, a warning message appears that lists any interfaces from which the policy map is being detached. The policy map is then detached and deleted. For example:

```
Warning: Detaching Policy test1 from Interface GigabitEthernet0/1
```

## Input and Output Policies

Policy maps are either input policy maps or output policy maps, attached to packets as they enter or leave the switch by service policies applied to interfaces. Input policy maps perform policing and marking on received traffic. Policed packets can be dropped or reduced in priority (marked down) if they exceed the maximum permitted rates. Output policy maps perform scheduling and queuing on traffic as it leaves the switch.

Input policies and output policies have the same basic structure; the difference is in the characteristics that they regulate. [Figure 34-2](#) shows the relationship of input and output policies.

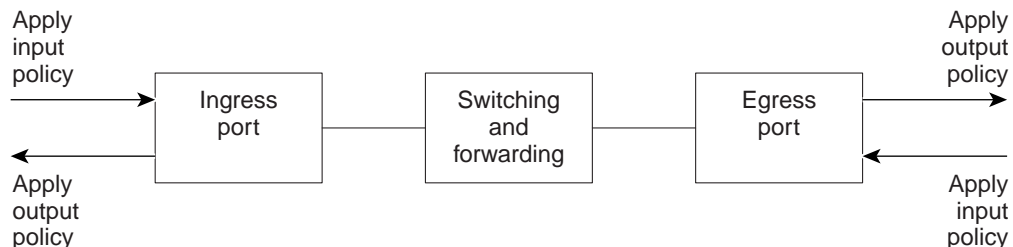
You can configure a maximum of 256 policy maps.

The number of supported policer instances on the ME-3400E is 1024 minus 1 more than the number of interfaces on the switch. On a 24-port switch, the number of available policer instances is 999. You can use a policer profile in multiple instances.

You can apply one input policy map and one output policy map to an interface.

When CPU protection is enabled (the default), you can configure 45 ingress policers per port. If you disable CPU protection by entering the **no policer cpu uni all** global configuration command and reloading the switch, you can configure a maximum of 63 policers per port (62 on every 4th port) for user-defined classes and one for class-default. You can enter the **show policer cpu uni-eni {drop | rate}** privileged EXEC command to see if CPU protection is enabled.

**Figure 34-2** *Input and Output Policy Relationship*



141150



## Input Policy Maps

Input policy map classification criteria include matching a CoS, a DSCP, or an IP precedence value or matching an access control list (ACL) or VLAN ID (for per-port, per-VLAN QoS). Input policy maps can have any of these actions:

- Setting or marking a CoS, a DSCP, an IP precedence, or QoS group value
- Matching an 802.1ad drop eligibility indicator (DEI) bit (802.1ad ports only)
- Setting or marking an 802.1ad DEI bit (802.1ad ports only)
- Individual policing
- Aggregate policing

Only input policies provide matching on access groups or VLAN IDs, and only output policies provide matching on QoS groups. You can assign a QoS group number in an input policy and match it in the output policy. The class **class-default** is used in a policy map for any traffic that does not explicitly match any other class in the policy map. Input policy maps do not support queuing and scheduling keywords, such as **bandwidth**, **queue-limit**, **priority**, and **shape average**.

An input policy map can have a maximum of 64 classes plus **class-default**. You can configure a maximum of 64 classes in an input policy.

## Output Policy Maps

Output policy map classification criteria include matching a CoS, a DSCP, an IP precedence, or a QoS group value. Output policy maps can also match an 802.1ad DEI bit (802.1ad ports only).

Output policy maps can have any of these actions:

- Queuing (**queue-limit**)
- Scheduling (**bandwidth**, **priority**, and **shape average**)

Output policy maps do not support matching of access groups. You can use QoS groups as an alternative by matching the appropriate access group in the input policy map and setting a QoS group. In the output policy map, you can then match the QoS group. See the [“Classification Based on QoS Groups”](#) section on page 34-12 for more information.

Output policies do not support marking or policing (except in the case of priority with policing). There is no egress packet marking on the switch (no **set** command in an output policy).

The class **class-default** is used in a policy map for any traffic that does not explicitly match any other class in the policy map. There can be a maximum of four classes in the output policy map (including class-default) because egress ports have a maximum of four queues.

An output policy map attached to an egress port can match only the packets that have already been matched by an input policy map attached to the ingress port for the packets. You can attach an output policy map to any or all ports on the switch. The switch supports configuration and attachment of a unique output policy map for each port. However, these output policy maps can contain only three unique configurations of queue limits. These three unique queue-limit configurations can be included in as many output policy maps as there are ports on the switch. There are no limitations on the configurations of bandwidth, priority, or shaping.

You can configure the output policy classification criteria for CPU-generated traffic by using the **cpu traffic qos** [**cos value** | **dscp value** | **precedence value** | **qos-group value**] global configuration command.

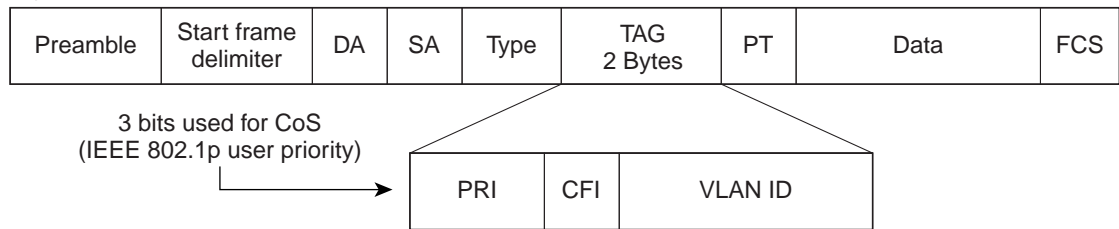
# Classification

Classification distinguishes one kind of traffic from another by examining the fields in the packet header. When a packet is received, the switch examines the header and identifies all key packet fields. A packet can be classified based on an ACL, on the DSCP, the CoS, or the IP precedence value in the packet, or by the VLAN ID. Figure 34-3 has examples of classification information carried in a Layer 2 or a Layer 3 IP packet header, using six bits from the deprecated IP type of service (ToS) field to carry the classification information.

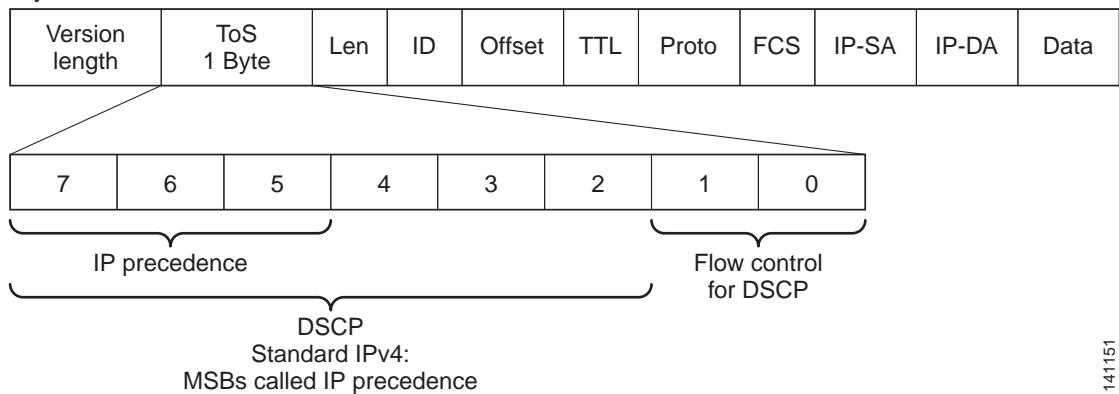
- On ports configured as Layer 2 IEEE 802.1Q trunks, all traffic is in 802.1Q frames except for traffic in the native VLAN. Layer 2 802.1Q frame headers have a 2-byte Tag Control Information field that carries the CoS value, called the User Priority bits, in the three most-significant bits, and the VLAN ID value in the 12 least-significant bits. Other frame types cannot carry Layer 2 CoS values. Layer 2 CoS values range from 0 to 7.
- Layer 3 IP packets can carry either an IP precedence value or a DSCP value. QoS supports the use of either value because DSCP values are backward-compatible with IP precedence values. IP precedence values range from 0 to 7. DSCP values range from 0 to 63.
- Output remarking is based on the Layer 2 or Layer 3 marking type, marking value and packet type.

**Figure 34-3 QoS Classification Layers in Frames and Packets**

Layer 2 IEEE 802.1Q and IEEE 802.1p Frame



Layer 3 IPv4 Packet



141151

On ports configured for 802.1ad, the CFI bit shown in the Layer 2 frame in the illustration is replaced by a drop eligibility indicator (DEI) bit. You can use this bit to classify incoming packets.

These sections contain additional information about classification:

- “Class Maps” section on page 34-7

- “The match Command” section on page 34-7
- “Classification Based on Layer 2 CoS” section on page 34-8
- “802.1Q Tunneling CoS Mapping” section on page 34-8
- “Classification Based on IP Precedence” section on page 34-9
- “Classification Based on IP DSCP” section on page 34-9
- “Classification Based on DEI” section on page 34-10
- “Classification Comparisons” section on page 34-10
- “Classification Based on QoS ACLs” section on page 34-11
- “Classification Based on QoS Groups” section on page 34-12
- “Classification Based on VLAN IDs” section on page 34-13

## Class Maps

As explained previously, you use an MQC class map to name a specific traffic flow (or class) and to isolate it from all other traffic. A class map defines the criteria used to match against a specific traffic flow to further classify it. If you have more than one type of traffic that you want to classify, you can create another class map and use a different name. When you enter the **class-map** command with a class-map name, the switch enters the class-map configuration mode. In this mode, you define the match criterion for the traffic by using the **match** class-map configuration command. After a packet is matched against the class-map criteria, it is acted on by the associated action specified in a policy map.

You can match more than one criterion for classification. You can also create a class map that requires that all matching criteria in the class map be in the packet header by using the **class map match-all** *class-map name* global configuration command to enter class map configuration mode.



### Note

---

You can configure only one match entry in a **match-all** class map.

---

You can use the **class map match-any** *class-map name* global configuration command to define a classification with any of the listed criteria.



### Note

---

If you do not enter **match-all** or **match-any**, the default is to match all. A match-all class map cannot have more than one classification criterion (match statement). A class map with no match condition has a default of **match all**.

---

## The match Command

To configure the type of content used to classify packets, you use the **match** class-map configuration command to specify the classification criteria. If a packet matches the configured criteria, it belongs to a specific class and is forwarded according to the specified policy. For example, you can use the **match** class-map command with CoS, IP DSCP, and IP precedence values. These values are referred to as *markings* on a packet. You can also match an access group, a QoS group, or a VLAN ID or ID range for per-port, per-VLAN QoS.

- For an input policy map, you cannot configure an IP classification (**match ip dscp**, **match ip precedence**, **match ip acl**) and a non-IP classification (**match cos** or **match mac acl**) in the same policy map or class map.

- When an input policy map with only Layer 2 classification is attached to a routed port or a switch port containing a routed switch virtual interface (SVI), the service policy acts only on switching eligible traffic and not on routing eligible traffic.
- On an 802.1Q tunnel port, you can use only an input policy map with Layer 2 classification based on MAC ACLs to classify traffic. Input policy maps with Layer 3 classification, match Layer 2 CoS classification, or per-port, per-VLAN policies are not supported on tunnel ports.
- In an output policy map, no two class maps can have the same classification criteria, that is, the same match qualifiers and values.

This example shows how to create a class map *example* to define a class that matches any of the listed criteria. In this example, if a packet is received with the DSCP equal to 32 or a 40, the packet is identified (classified) by the class map.

```
Switch(config)# class-map match-any example
Switch(config-cmap)# match ip dscp 32
Switch(config-cmap)# match ip dscp 40
Switch(config-cmap)# exit
```

## Classification Based on Layer 2 CoS

You can use the **match** command to classify Layer 2 traffic based on the CoS value, which ranges from 0 to 7.



Note

---

A **match cos** command is supported only on Layer 2 802.1Q trunk ports.

---

This example shows how to create a class map to match a CoS value of 5:

```
Switch(config)# class-map premium
Switch(config-cmap)# match cos 5
Switch(config-cmap)# exit
```

## 802.1Q Tunneling CoS Mapping

The ME-3400E supports VLAN mapping from the customer VLAN-ID (C-VLAN) to a service-provider VLAN-ID (S-VLAN). See the [“Understanding VLAN Mapping” section on page 14-7](#). For QoS, the switch can set the service-provider CoS (S-CoS) from either the customer CoS (C-CoS) or the customer DSCP (C-DSCP) value, and can map the inner CoS to the outer CoS for any traffic with traditional 802.1Q tunneling (QinQ) or selective QinQ VLAN mapping. This default allows copying the customer CoS into the service provider network.

The ME-3400E supports C-CoS to S-CoS propagation for traditional QinQ and for selective QinQ on trunk ports. This is the default behavior and does not require configuration. When you configure traditional QinQ or selective QinQ on Layer 2 trunk ports using 1-to-2 VLAN mapping, the switch also allows setting the S-CoS from C-DSCP.

For traffic entering the switch on 802.1Q tunnel ports or trunk ports configured for VLAN mapping, the switch has the ability to examine the customer packet header and set the service-provider CoS value (S-CoS) from either the customer CoS value or the customer DSCP value.

Configuring CoS matching on 802.1Q mapped ports is handled in this way:

- On interfaces configured for 802.1Q tunneling (on tunnel or trunk ports) or selective 802.1Q (on trunk ports), the CoS value of the VLAN tag (inner VLAN or C-VLAN) received on the interface (C-CoS) is automatically reflected in the tunnel VLAN tag (outer VLAN or S-VLAN) by default.

- The **set cos** policy-map class configuration commands always apply to the outer-most VLAN tag after processing is complete, that is the S-VLAN-ID. For example, in 802.1Q tunnels, entering a **set cos** command changes only the CoS value of the outer tag of the encapsulated packet.
- When you configure a policy by entering the **match dscp** class map configuration command and you enter the **set cos** policy-map class configuration command for QinQ and selective QinQ mapping interfaces, a DSCP match sets the outer CoS of the encapsulated value.
- You can set DSCP based on matching the outer VLAN.
- If you enter the **match cos** command on interfaces configured for traditional QinQ or for selective QinQ mapping, the match is to the outer CoS, which is the reflected inner Cos (C-CoS).

## Classification Based on IP Precedence

You can classify IPv4 traffic based on the packet IP precedence values, which range from 0 to 7.

This example shows how to create a class map to match an IP precedence value of 4:

```
Switch(config)# class-map sample
Switch(config-cmap)# match ip precedence 4
Switch(config-cmap)# exit
```

## Classification Based on IP DSCP

When you classify IPv4 traffic based on IP DSCP value, and enter the **match ip dscp** class-map configuration command, you have several classification options:

- Entering a specific DSCP value (0 to 63).
- Using the Default service, which corresponds to an IP precedence and DSCP value of 0. The default per-hop behavior (PHB) is usually best-effort service.
- Using Assured Forwarding (AF) by entering the binary representation of the DSCP value. AF sets the relative probability that a specific class of packets is forwarded when congestion occurs and the traffic does not exceed the maximum permitted rate. AF *per-hop behavior* provides delivery of IP packets in four different AF classes: AF11-13 (the highest), AF21-23, AF31-33, and AF41-43 (the lowest). Each AF class could be allocated a specific amount of buffer space and drop probabilities, specified by the binary form of the DSCP number. When congestion occurs, the drop precedence of a packet determines the relative importance of the packet within the class. An AF41 provides the best probability of a packet being forwarded from one end of the network to the other.
- Entering Class Selector (CS) service values of 1 to 7, corresponding to IP precedence bits in the ToS field of the packet.
- Using Expedited Forwarding (EF) to specify a low-latency path. This corresponds to a DSCP value of 46. EF services use priority queuing to preempt lower priority traffic classes.

This display shows the available classification options:

```
Switch(config-cmap)# match ip dscp ?
<0-63> Differentiated services codepoint value
af11 Match packets with AF11 dscp (001010)
af12 Match packets with AF12 dscp (001100)
af13 Match packets with AF13 dscp (001110)
af21 Match packets with AF21 dscp (010010)
af22 Match packets with AF22 dscp (010100)
af23 Match packets with AF23 dscp (010110)
af31 Match packets with AF31 dscp (011010)
af32 Match packets with AF32 dscp (011100)
af33 Match packets with AF33 dscp (011110)
```

```

af41    Match packets with AF41 dscp (100010)
af42    Match packets with AF42 dscp (100100)
af43    Match packets with AF43 dscp (100110)
cs1     Match packets with CS1 (precedence 1) dscp (001000)
cs2     Match packets with CS2 (precedence 2) dscp (010000)
cs3     Match packets with CS3 (precedence 3) dscp (011000)
cs4     Match packets with CS4 (precedence 4) dscp (100000)
cs5     Match packets with CS5 (precedence 5) dscp (101000)
cs6     Match packets with CS6 (precedence 6) dscp (110000)
cs7     Match packets with CS7 (precedence 7) dscp (111000)
default Match packets with default dscp (000000)
ef      Match packets with EF dscp (101110)

```

For more information on DSCP prioritization, see RFC-2597 (AF per-hop behavior), RFC-2598 (EF), or RFC-2475 (DSCP).

## Classification Based on DEI

On ports configured for 802.1ad, 802.1ad frames contain a drop precedence bit called the drop eligibility indicator (DEI). When this bit has a value of 1, the packet is more susceptible to being dropped during queuing operation at the egress port of the provider bridge. You can use QoS to classify, mark, police, or queue-limit a packet based on the DEI bit.

See the “[Configuring 802.1ad QoS](#)” section on page 34-89.

## Classification Comparisons

[Table 34-1](#) shows suggested IP DSCP, IP precedence, and CoS values for typical traffic types.

**Table 34-1** Typical Traffic Classifications

Traffic Type	DSCP per-hop	DSCP (decimal)	IP Precedence	CoS
Voice-bearer—traffic in a priority queue or the queue with the highest service weight and lowest drop priority.	EF	46	5	5
Voice control—signalling traffic, related to call setup, from a voice gateway or a voice application server.	AF31	26	3	3
Video conferencing—in most networks, video conferencing over IP has similar loss, delay, and delay variation requirements as voice over IP traffic.	AF41	34	4	4
Streaming video—relatively high bandwidth applications with a high tolerance for loss, delay, and delay variation. Usually considered more important than regular background applications such as e-mail and web browsing.	AF13	14	1	1
Mission critical data (gold data)—delay-sensitive applications critical to the operation of an enterprise.				
Level 1	AF21	18	2	2
Level 2	AF22	20	2	2
Level 3	AF23	22	2	2

Table 34-1 Typical Traffic Classifications (continued)

Traffic Type	DSCP per-hop	DSCP (decimal)	IP Precedence	CoS
Less critical data (silver data)—noncritical, but relatively important data.				
Level 1	AF11	10	1	1
Level 2	AF12	12	1	1
Level 3	AF13	14	1	1
Best-effort data (bronze data)—other traffic, including all noninteractive traffic, regardless of importance.	Default	0	0	0
Less than best-effort data—noncritical, bandwidth-intensive data traffic given the least preference. This is the first traffic type to be dropped.				
Level 1		2	0	0
Level 2		4	0	0
Level 3		6	0	0

## Classification Based on QoS ACLs

Packets can also be classified in input policy maps based on an ACL lookup. The ACL classification is communicated to an output policy by assigning a QoS group or number in the input policy map. To classify based on ACL lookup, you first create an IP or MAC ACL. Configure a class map and use the **match access-group** {*acl-number* | *acl name*} class-map configuration command, and attach the class map to a policy map.



### Note

You cannot configure **match access-group** for an output policy map.

You can use IP standard, IP extended, or Layer 2 MAC ACLs to define a group of packets with the same characteristics (a class). You use the **access-list** global configuration command to configure IP ACLs to classify IP traffic based on Layer 3 and Layer 4 parameters. You use the **mac access-list extended** global configuration command to configure Layer 2 MAC ACLs to classify IP and non-IP traffic based on Layer 2 parameters.



### Note

You cannot match IP fragments against configured IP extended ACLs to enforce QoS. IP fragments are sent as best-effort. IP fragments are denoted by fields in the IP header.

You can use only ACLs with a permit action in a **match access-group** command. ACLs with a deny action are never matched in a QoS policy.



### Note

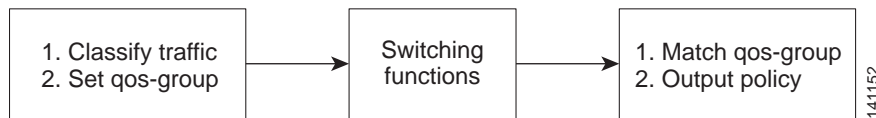
Only one access-group is supported per class for an input policy map.

## Classification Based on QoS Groups

A QoS group is an internal label used by the switch to identify packets as a members of a specific class. The label is not part of the packet header and is restricted to the switch that sets the label. QoS groups provide a way to tag a packet for subsequent QoS action without explicitly marking (changing) the packet. You can then communicate an ACL match from an input policy map to an output policy map.

A QoS group is identified at ingress and used at egress; it is assigned in an input policy to identify packets in an output policy. See [Figure 34-3](#). The QoS groups help aggregate different classes of input traffic for a specific action in an output policy.

**Figure 34-4** QoS Groups



You can use QoS groups to aggregate multiple input streams across input classes and policy maps for the same QoS treatment on the egress port. Assign the same QoS group number in the input policy map to all streams that require the same egress treatment, and match to the QoS group number in the output policy map to specify the required queuing and scheduling actions.

You can also use QoS groups to identify traffic entering a particular interface if the traffic must be treated differently at the output based on the input interface.

You can use QoS groups to configure per-port, per-VLAN QoS output policies on the egress interface for bridged traffic on the VLAN. Assign a QoS group number to a VLAN on the ingress interface by configuring a per-port, per-VLAN input policy. Then use the same QoS-group number for classification at the egress. Because the VLAN of bridged traffic does not change during forwarding through the switch, the QoS-group number assigned to the ingress VLAN can be used on the egress interface to identify the same VLAN.

You can use the **cpu traffic qos** [*cos value* | *dscp value* | *precedence value* | *qos-group value*] global configuration command to configure a QoS group number for CPU-generated traffic.

Independently you can assign QoS-group numbers at the ingress to any combination of interfaces, VLANs, traffic flows, and aggregated traffic. To assign QoS-group numbers, configure a QoS group marking in an input policy map, along with any other marking or policing actions required in the input policy map for the same service class. This allows the input marking and policing functions to be decoupled from the egress classification function if necessary because only the QoS group must be used for egress classification.

To communicate an ACL classification to an output policy, you assign a QoS number to specify packets at ingress. This example identifies specific packets as part of QoS group 1 for later processing in an output policy:

```

Switch(config)# policy-map in-gold-policy
Switch(config-pmap)# class in-class1
Switch(config-pmap-c)# set qos-group 1
Switch(config-cmap-c)# exit
Switch(config-cmap)# exit
  
```

You use the **set qos-group** command only in an input policy. The assigned QoS group identification is subsequently used in an output policy with no mark or change to the packet. You use the **match qos-group** in the output policy.



**Note**

You cannot configure **match qos-group** for an input policy map.

This example creates an output policy to match the QoS group created in the input policy map *in-gold-policy*. Traffic internally tagged as *qos-group 1* is identified and processed by the output policy.

```
Switch(config)# class-map out-class1
Switch(config-cmap)# match qos-group 1
Switch(config-cmap)# exit
```

The switch supports a maximum of 100 QoS groups.

## Classification Based on VLAN IDs

With classification based on VLAN IDs, you can apply QoS policies to frames carried on a user-specified VLAN for a given interface. You can use hierarchical policy maps for per-VLAN classification on trunk ports. Per-VLAN classification is not required on access ports because access ports carry traffic for a single VLAN. If you try to attach an input per-port, per-VLAN hierarchical policy to a port that is not a trunk port, the configuration is rejected.

The switch supports two policy levels: a *parent* level and a *child* level. With the QoS parent-child structure, you can reference a child policy in a parent policy to provide additional control of a specific traffic type. For per-port, per-VLAN QoS, the parent-level class map specifies only the VLAN match criteria, and the child-level class maps provide more detailed classification for frames matching the parent-level class map. You can configure multiple service classes at the parent level to match different combinations of VLANs, and you can apply independent QoS policies to each parent service class using any child policy map.

**Note**

A per-port, per-VLAN parent-level class map supports only a child-policy association; it does not allow any actions to be configured. In earlier releases, for a parent-level class map, you could not configure a child-policy association for the class **class-default**. Starting with Cisco IOS Release 12.2(53)SE, you can enter class class-default in the parent policy map to classify all VLANs not identified by parent VLAN classes.

Per-port, per-VLAN QoS has these limitations:

- You can apply a per-port, per-VLAN hierarchical policy map only to trunk ports.
- You can configure classification based on VLAN ID only in the parent level of a per-port, per-VLAN hierarchical policy map.
- When the child policy map attached to a VLAN or set of VLANs contains only Layer 3 classification (**match ip dscp**, **match ip precedence**, **match IP ACL**), you must be careful to ensure that these VLANs are not carried on any port other than the one on which this per-port, per-VLAN policy is attached. Not following this restriction could result in improper QoS behavior for traffic ingressing the switch on these VLANs.
- We also recommend that you restrict VLAN membership on the trunk ports to which the per-port, per-VLAN is applied by using the **switchport trunk allowed vlan** interface configuration command. Overlapping VLAN membership between trunk ports that have per-port, per-VLAN policies with Layer 3 classification could also result in unexpected QoS behavior.

In this example, the class maps in the child-level policy map specify matching criteria for voice, data, and video traffic, and the child policy map sets the action for input policing each type of traffic. The parent-level policy map specifies the VLANs to which the child policy maps are applied on the specified port.

```
Switch(config)# class-map match-any dscp-1 data
Switch(config-cmap)# match ip dscp 1
Switch(config-cmap)# exit
Switch(config)# class-map match-any dscp-23 video
Switch(config-cmap)# match ip dscp 23
Switch(config-cmap)# exit
Switch(config)# class-map match-any dscp-63 voice
Switch(config-cmap)# match ip dscp-63
Switch(config-cmap)# exit
Switch(config)# class-map match-any customer-1-vlan
Switch(config-cmap)# match vlan 100
Switch(config-cmap)# match vlan 200
Switch(config-cmap)# match vlan 300
Switch(config-cmap)# exit
```

**Note**

You can also enter the match criteria as **match vlan 100 200 300** with the same result.

```
Switch(config)# policy-map child policy-1
Switch(config-pmap)# class dscp-63 voice
Switch(config-pmap-c)# police cir 10000000 bc 50000
Switch(config-pmap-c)# conform-action set-cos-transmit 5
Switch(config-pmap-c)# exceed-action drop
Switch(config-pmap-c)# exit
Switch(config-pmap)# class dscp-1 data
Switch(config-pmap-c)# set cos 0
Switch(config-pmap-c)# exit
Switch(config-pmap)# class dscp-23 video
Switch(config-pmap-c)# set cos 4
Switch(config-pmap-c)# set ip precedence 4
Switch(config-pmap-c)# exit

Switch(config)# policy-map parent-customer-1
Switch(config-pmap)# class customer-1-vlan
Switch(config-pmap-c)# service-policy ingress-policy-1
Switch(config-pmap-c)# exit

Switch(config)# interface fastethernet0/1
Switch(config-if)# switchport mode trunk
Switch(config-if)# service-policy input customer-1-ingress
Switch(config-pmap-c)# exit
```

**Note**

Each per-port, per-VLAN parent policy class, except **class-default**, can have a child policy association.

See the [“Configuring Per-Port Per-VLAN QoS with Hierarchical Input Policy Maps”](#) section on page 34-60 for configuration information, including configuration guidelines and limitations.

## Table Maps

You can use table maps to manage a large number of traffic flows with a single command. You can specify table maps in **set** commands and use them as mark-down mapping for the policers. You can also use table maps to map an incoming QoS marking to a replacement marking without having to configure a large number of explicit matches and sets. Table maps are used only in input policy maps.

Table maps can be used to:

- Correlate specific CoS, DSCP, or IP precedence values to specific CoS, DSCP, or IP precedence values
- Mark down a CoS, DSCP, or IP precedence value
- Assign defaults for unmapped values

A table map includes one of these default actions:

- **default** *default-value*—applies a specific default value (0 to 63) for all unmapped values
- **default copy**—maps all unmapped values to the equivalent value in another qualifier
- **default ignore**—makes no changes for unmapped values

This example creates a table to map specific CoS values to DSCP values. The **default** command maps all unmapped CoS values to a DSCP value of 63.

```
Switch(config)# table-map cos-dscp-tablemap
Switch(config-tablemap)# map from 5 to 46
Switch(config-tablemap)# map from 6 to 56
Switch(config-tablemap)# map from 7 to 57
Switch(config-tablemap)# default 63
Switch(config-tablemap)# exit
```

The switch supports a maximum of 256 unique table maps. You can enter up to 64 different **map from-to** entries in a table map. These table maps are supported on the switch:

- DSCP to CoS
- DSCP to precedence
- DSCP to DSCP
- CoS to DSCP
- CoS to precedence
- CoS to CoS
- Precedence to CoS
- Precedence to DSCP
- Precedence to precedence

Table maps modify only one parameter (CoS, IP precedence, or DSCP, whichever is configured) and are only effective when configured with a **set** command in a policy map or with a **conform-action** or **exceed-action** command in a police function. Individual policers also support the **violate-action** command, but aggregate policers do not support table maps with violate-action.

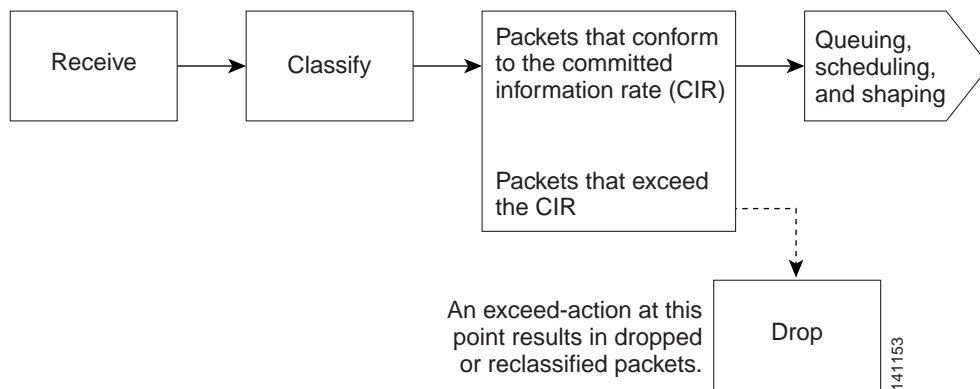
Table maps are not supported in output policy maps. For more information, set the [“Configuring Table Maps” section on page 34-43](#).

## Policing

After a packet is classified, you can use policing as shown in [Figure 34-5](#) to regulate the class of traffic. The policing function limits the amount of bandwidth available to a specific traffic flow or prevents a traffic type from using excessive bandwidth and system resources. A policer identifies a packet as in or out of profile by comparing the rate of the inbound traffic to the configuration profile of the policer and traffic class. Packets that exceed the permitted average rate or burst rate are *out of profile* or *nonconforming*. These packets are dropped or modified (marked for further processing), depending on the policer configuration.

Policing is used primarily on receiving interfaces. You can attach a policy map with a policer only in an input service policy. The only policing allowed in an output policy map is in priority classes. See the [“Unconditional Priority Policing”](#) section on page 34-20.

**Figure 34-5 Policing of Classified Packets**



These sections describe the types of policing supported on the switch:

- [Individual Policing, page 34-16](#)
- [Aggregate Policing, page 34-18](#)
- [Unconditional Priority Policing, page 34-20](#)

## Individual Policing

Individual policing applies only to input policy maps. In policy-map configuration mode, you enter the **class** command followed by class-map name, and enter policy-map class configuration mode.

The ME-3400E switch supports 1-rate, 2-color ingress policing and 2-rate, 3-color policing for individual or aggregate policing.

For 1-rate, 2-color policing, you use the **police** policy-map class configuration command to define the policer, the committed rate limitations of the traffic, committed burst size limitations of the traffic, and the action to take for a class of traffic that is below the limits (**conform-action**) and above the limits (**exceed-action**). If you do not specify burst size (bc), the system calculates an appropriate burst size value. The calculated value is appropriate for most applications. For more information, see the [“Attaching a Traffic Policy to an Interface”](#) section on page 34-44.

When you configure a 2-rate policer, in addition to configuring the committed information rate (CIR) for updating the first token bucket, you also configure the peak information rate (PIR) at which the second token bucket is updated. If you do not configure a PIR, the policer is a standard 1-rate, 2-color policer.

For 2-rate, 3-color policing, you can then optionally set actions to perform on packets that conform to the specified CIR and PIR (conform-action), packets that conform to the PIR, but not the CIR (exceed-action), and packets that exceed the PIR value (violate-action).

- If you set the CIR value equal to the PIR, a traffic rate that is less than or equal to the CIR is in the conform range. Traffic that exceeds the CIR is in the violate range.
- If you set the PIR greater than the CIR, a traffic rate less than the CIR is in the conform range. A traffic rate that exceeds the CIR but is less than or equal to the PIR is in the exceed range. A traffic rate that exceeds the PIR is in the violate range.
- If you do not configure a PIR, the policer is configured as a 1-rate, 2-color policer.

Setting the burst sizes too low can reduce throughput in situations with bursty traffic. Setting burst sizes too high can allow too high a traffic rate.



#### Note

The ME-3400E supports byte counters for byte-level statistics for conform, exceed, and violate classes in the **show policy-map interface** privileged EXEC command output.

To make the policy map effective, you attach it to a physical port by using the **service-policy input** interface configuration command. Policing is done only on received traffic, so you can only attach a policer to an input service policy.

This is an example of basic policing for all traffic received with a CoS of 4. The first value following the **police** command limits the average traffic rate to 10,000,000 bits per second (bps); the second value represents the additional burst size (10 kilobytes). The policy is assigned to Fast Ethernet port 1.

```
Switch(config)# class-map video-class
Switch(config-cmap)# match cos 4
Switch(config-cmap)# exit
Switch(config)# policy-map video-policy
Switch(config-pmap)# class video-class
Switch(config-pmap-c)# police 10000000 10000
Switch(config-pmap-c-police)# exit
Switch(config-pmap-c)# exit
Switch(config-pmap)# exit
Switch(config)# interface fastethernet0/1
Switch(config-if)# service-policy input video-policy
Switch(config-if)# exit
```

You can use the **conform-action**, **exceed-action**, and **violate-action** policy-map class configuration commands or the **conform-action**, **exceed-action**, and **violate-action** policy-map class police configuration commands to specify the action to be taken when the packet conforms to or exceeds the specified traffic rates. Conform, exceed, and violate actions are to drop the packet, to send the packet without modifications, to set a new CoS, DSCP, or IP precedence value, or to set a QoS group value for classification at the egress.

You can configure each marking action by using explicit values, table maps, or a combination of both. Table maps list specific traffic attributes and map (or convert) them to other attributes.

You can configure multiple conform, exceed, and violate actions simultaneously for each service class. If you do not configure a **violate-action**, by default the violate class is assigned the same action as the **exceed-action**.

After you create a table map, you configure a policy-map policer to use the table map.



#### Note

When you use a table map in an input policy map, the protocol type for the **from**-action in the table map must be the same as the protocol type of the associated classification. For example, if a class map represents IP classification, the **from**-type action in the table map must be either **dscp** or **precedence**. If the class map represents a non-IP classification, the **from**-type action in the table map must be **cos**.

To configure multiple actions in a class, you can enter multiple conform, exceed, or violate action entries in policy-map class police configuration mode, as in this example:

```
Switch(config)# policy-map map1
Switch(config-pmap)# class class1
Switch(config-pmap-c)# police 100000 500000
Switch(config-pmap-c-police)# conform-action set-cos-transmit 4
Switch(config-pmap-c-police)# conform-action set-dscp-transmit dscp table
conform-dscp-to-dscp-mutation
Switch(config-pmap-c-police)# conform-action set-qos-transmit 10
Switch(config-pmap-c-police)# exceed-action set-cos-transmit 2
Switch(config-pmap-c-police)# exceed-action set-dscp-transmit dscp table
exceed-dscp-to-dscp-mutation
Switch(config-pmap-c-police)# exceed-action set-qos-transmit 20
Switch(config-pmap-c-police)# exit
Switch(config-pmap-c)# exit
Switch(config-pmap)# exit
```

## Aggregate Policing

Aggregate policing applies only to input policy maps. An aggregate policer differs from an individual policer because it is shared by multiple traffic classes within a policy map. The ME-3400E switch supports 1-rate, 2-color ingress policing and 2-rate, 3-color policing for aggregate policing.

You can use the **policer aggregate** global configuration command to set a policer for all traffic received or sent on a physical interface. When you configure an aggregate policer, you can configure specific burst sizes and conform and exceed actions. If you do not specify burst size (**bc**), the system calculates an appropriate burst size value. The calculated value is appropriate for most applications.

When you configure a 2-rate policer, in addition to configuring the committed information rate (CIR) for updating the first token bucket, you also configure the peak information rate (PIR) at which the second token bucket is updated. If you do not configure a PIR, the policer is a standard 1-rate, 2-color policer.

For 2-rate, 3-color policing, you can then optionally set actions to perform on packets that conform to the specified CIR and PIR (conform-action), packets that conform to the PIR, but not the CIR (exceed-action), and packets that exceed the PIR value (violate-action).



#### Note

If the conform action is set to drop, the exceed and violate actions are automatically set to drop. If the exceed action is set to drop, the violate action is automatically set to drop.

- If you set the CIR value equal to the PIR, a traffic rate that is less than or equal to the CIR is in the conform range. Traffic that exceeds the CIR is in the violate range.
- If you set the PIR greater than the CIR, a traffic rate less than the CIR is in the conform range. A traffic rate that exceeds the CIR but is less than or equal to the PIR is in the exceed range. A traffic rate that exceeds the PIR is in the violate range.
- If you do not configure PIR, the policer is configured as a 1-rate, 2-color policer.

Setting the burst sizes too low can result in less traffic than expected. Setting burst sizes too high can result in more traffic than expected.

You can configure multiple conform, exceed, and violate actions simultaneously for each service class. You can use the **conform-action**, **exceed-action**, and **violate-action** policy-map class configuration commands or the **conform-action**, **exceed-action**, and **violate-action** policy-map class police configuration commands to specify the action to be taken when the packet conforms to or exceeds the specified traffic rates. Conform, exceed, and violate actions are to drop the packet, to send the packet without modifications, to set a new CoS, DSCP, or IP precedence value, or to set a QoS group value for classification at the egress.

Aggregate policing is not supported across VLANs in per-port, per-VLAN policy maps.

**Note**

If the conform action is set to drop, the exceed and violate actions are automatically set to drop. If the exceed action is set to drop, the violate action is automatically set to drop.

You can configure each marking conform, exceed, or violate action by using explicit values, using table maps, or using a combination of both. If you do not configure a **violate-action**, by default the violate class is assigned the same action as the **exceed-action**.

Table maps list specific traffic attributes and map (or convert) them to other attributes. Table maps are not supported for **violate-action** for aggregate policing unless you configure a table map for exceed-action and no explicit action is configured for violate action.

After you create a table map, you configure a policy-map policer to use the table map.

**Note**

When you use a table map in an input policy map, the protocol type for the **from**-action in the table map must be the same as the protocol type of the associated classification. For example, if a class map represents IP classification, the **from**-type action in the table map must be either **dscp** or **precedence**. If the class map represents a non-IP classification, the **from**-type action in the table map must be **cos**.

You can configure multiple conform, exceed, and violate actions simultaneously for an aggregate policer as parameters in the **policer aggregate** global configuration command, but you must enter the actions in a particular order. See the configuration guideline in the [“Configuring Input Policy Maps with Aggregate Policing” section on page 34-54](#).

After you configure the aggregate policer, you create a policy map and an associated class map, associate the policy map with the aggregate policer, and apply the service policy to a port.

**Note**

Only one policy map can use any specific aggregate policer. Aggregate policing cannot be used to aggregate traffic streams across multiple interfaces. It can be used only to aggregate traffic streams across multiple classes in a policy map attached to an interface and aggregate streams across VLANs on a port in a per-port, per-VLAN policy map.

After you configure the policy map and policing actions, attach the policy to an ingress port by using the **service-policy** interface configuration command.

The class maps in this example refer to access lists.

```
Switch(config)# policer aggregate agg1 cir 23000 bc 10000 conform-action set-dscp-transmit
46 exceed-action drop
Switch(config)# class-map testclass
Switch(config-cmap)# match access-group 1
Switch(config-cmap)# exit
Switch(config)# class-map videoclass
```

```

Switch(config-cmap) # match access-group 2
Switch(config-cmap) # exit
Switch(config) # policy-map testexample
Switch(config-pmap) # class testclass
Switch(config-pmap-c) # police aggregate agg1
Switch(config-pmap-c) # exit
Switch(config-pmap) # class video-class
Switch(config-pmap-c) # police aggregate agg1
Switch(config-pmap-c) # exit
Switch(config-pmap) # exit
Switch(config) # interface fastethernet0/1
Switch(config-if) # service-policy input testexample
Switch(config-if) # exit

```

For configuration information, see the “[Configuring Input Policy Maps with Aggregate Policing](#)” section on page 34-54.

## Unconditional Priority Policing

Priority policing applies only to output policy maps. You can use the **priority** policy-map class configuration command in an output policy map to designate a low-latency path, or class-based priority queuing, for a specific traffic class. With strict priority queuing, the packets in the priority queue are scheduled and sent until the queue is empty, at the expense of other queues. Excessive use of high-priority queuing can create congestion for lower priority traffic.

To eliminate this congestion, you can use the priority with police feature (priority policing) to reduce the bandwidth used by the priority queue and allocate traffic rates on other queues. Priority with police is the only form of policing supported in output policy maps.



### Note

You can configure 1-rate, 2-color policers for output policy maps with priority. You cannot configure 2-rate, 3-color policers for output policies.

See also the “[Configuring Output Policy Maps with Class-Based Priority Queuing](#)” section on page 34-71.



### Note

You cannot configure a policer committed burst size for an unconditional priority policer. Any configured burst size is ignored.

This example shows how to use the **priority** with **police** commands to configure *out-class1* as the priority queue, with traffic going to the queue limited to 20,000,000 bps so that the priority queue never uses more than that. Traffic above that rate is dropped. This allows other traffic queues to receive some port bandwidth, in this case a minimum bandwidth guarantee of 500,000 and 200,000 kbps. The class **class-default** queue gets the remaining port bandwidth.

```

Switch(config) # policy-map policy1
Switch(config-pmap) # class out-class1
Switch(config-pmap-c) # priority
Switch(config-pmap-c) # police 200000000
Switch(config-pmap-c) # exit
Switch(config-pmap) # class out-class2
Switch(config-pmap-c) # bandwidth 500000
Switch(config-pmap-c) # exit
Switch(config-pmap) # class out-class3
Switch(config-pmap-c) # bandwidth 200000
Switch(config-pmap-c) # exit
Switch(config-pmap) # exit

```



```
Switch(config)# interface gigabitethernet0/1
Switch(config-if)# service-policy output policy1
Switch(config-if)# exit
```

## Marking

You can use packet marking in input policy maps to set or modify the attributes for traffic belonging to a specific class. After network traffic is organized into classes, you use marking to identify certain traffic types for unique handling. For example, you can change the CoS value in a class or set IP DSCP or IP precedence values for a specific type of traffic. These new values are then used to determine how the traffic should be treated. You can also use marking to assign traffic to a QoS group within the switch.

Traffic marking is typically performed on a specific traffic type at the ingress port. The marking action can cause the CoS, DSCP, or precedence bits to be rewritten or left unchanged, depending on the configuration. This can increase or decrease the priority of a packet in accordance with the policy used in the QoS domain so that other QoS functions can use the marking information to judge the relative and absolute importance of the packet. The marking function can use information from the policing function or directly from the classification function.

You can specify and mark traffic by using the **set** commands in a policy map for all supported QoS markings (CoS, IP DSCP, DEI bit, IP precedence, and QoS groups). A **set** command unconditionally *marks* the packets that match a specific class. You then attach the policy map to an interface as an input policy map.

You can also mark traffic by using the **set** command with table maps. Table maps list specific traffic attributes and maps (or converts) them to another attribute. A table map establishes a to-from relationship for the attribute and defines the change to be made.

You can simultaneously configure actions to modify DSCP, precedence, and COS markings in the packet for the same service along with QoS group marking actions. You can use the QoS group number defined in the marking action for egress classification.

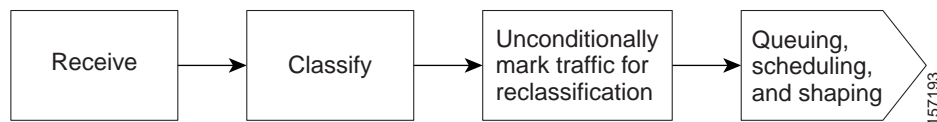


### Note

When you use a table map in an input policy map, the protocol type of the **from**-type action in the table map must be the same as the protocol type of the associated classification. For example, if a class map represents an IP classification, the **from**-type action in the table map must be either **dscp** or **precedence**. If the class map represents a non-IP classification, the **from**-type action in the table map must be **cos**.

After you create a table map, you configure a policy map to use the table map. See the “[Congestion Management and Scheduling](#)” section on page 34-26. [Figure 34-6](#) shows the steps for marking traffic.

**Figure 34-6** Marking of Classified Traffic



This example uses a policy map to remark a packet. The first marking (the **set** command) applies to the QoS default class map that matches all traffic not matched by class *AF31-AF33* and sets all traffic to an IP DSCP value of 1. The second marking sets the traffic in classes *AF31* to *AF33* to an IP DSCP of 3.

```
Switch(config)# policy-map Example
Switch(config-pmap)# class class-default
Switch(config-pmap-c)# set ip dscp 1
Switch(config-pmap-c)# exit
```

```
Switch(config-pmap) # class AF31-AF33
Switch(config-pmap-c) # set ip dscp 3
Switch(config-pmap-c) # exit
Switch(config-pmap) # exit
Switch(config) # interface fastethernet0/1
Switch(config-if) # service-policy input Example
Switch(config-if) # exit
```

## QoS Treatment for Performance-Monitoring Protocols

- [Cisco IP-SLAs, page 34-22](#)
- [Two-Way Active Measurement Protocol, page 34-22](#)
- [QoS Treatment for IP-SLA and TWAMP Probes, page 34-22](#)
- [QoS Marking for CPU-Generated Traffic, page 34-23](#)
- [QoS Queuing for CPU-Generated Traffic, page 34-24](#)
- [Configuration Guidelines, page 34-24](#)

### Cisco IP-SLAs

For information about Cisco IP service level agreements (IP-SLAs), see [Understanding Cisco IOS IP SLAs, page 41-1](#).

### Two-Way Active Measurement Protocol

For information about the Two-Way Active Measurement Protocol (TWAMP), see [Understanding TWAMP, page 41-14](#) and [Configuring TWAMP, page 41-14](#).

### QoS Treatment for IP-SLA and TWAMP Probes

The QoS treatment for IP-SLA and TWAMP probes must exactly reflect the effects that occur to the normal data traffic crossing the device.

The generating device should not change the probe markings. It should queue these probes based on the configured queuing policies for normal traffic.

### Marking

By default, the class of service (CoS) marking of CFM traffic (including IP SLAs using CFM probes) is not changed. This feature cannot change this behavior.

By default, IP traffic marking (including IP SLA and TWAMP probes) is not changed. This feature can change this behavior.

## Queuing

The CFM traffic (including IP SLAs using CFM probes) is queued according to its CoS value and the output policy map configured on the egress port, similar to normal traffic. This feature cannot change this behavior.

IP traffic (including IP SLA and TWAMP probes) is queued according to the markings specified in the **cpu traffic qos** global configuration command and the output policy map on the egress port. If this command is not configured, all IP traffic is statically mapped to a queue on the egress port.

## QoS Marking for CPU-Generated Traffic

You can use QoS marking to set or modify the attributes of traffic from the CPU. The QoS marking action can cause the CoS, DSCP, or IP precedence bits in the packet to be rewritten or left unchanged. QoS uses packet markings to identify certain traffic types and how to treat them on the local switch and the network.

You can also use marking to assign traffic to a QoS group within the switch. This QoS group is an internal label that does not modify the packet, but it can be used to identify the traffic type when configuring egress queuing on the network port.

You can specify and mark traffic CPU-generated traffic by using these global configuration commands:

```
cpu traffic qos cos { cos_value | cos [table-map table-map-name] | dscp [table-map table-map-name] | precedence [table-map table-map-name] }
```

```
cpu traffic qos dscp { dscp_value | cos [table-map table-map-name] | dscp [table-map table-map-name] | precedence [table-map table-map-name] }
```

```
cpu traffic qos precedence { precedence_value | cos [table-map table-map-name] | dscp [table-map table-map-name] | precedence [table-map table-map-name] }
```

```
cpu traffic qos qos-group value
```

You can mark CoS, IP-DSCP, IP precedence, and QoS group by configuring an explicit value or by using the **table-map** keyword. Table maps list specific traffic attributes and map (or convert) them to another attribute. A table map establishes a to-from relationship for the attribute and defines the change to be made:

- Marking CoS by using the CoS, or the IP-DSCP, or the IP precedence of IP CPU-packets
- Marking CoS by using the CoS of non-IP CPU-packets.
- Marking IP DSCP by using the CoS, or the IP-DSCP, or the IP precedence of the CPU-packet
- Marking IP precedence by using the CoS, or the IP-DSCP, or the IP precedence of the CPU-packet

You can configure either IP-DSCP or IP precedence marking.

You can also simultaneously configure marking actions to modify CoS, IP-DSCP or IP precedence, and QoS group.

The **cpu traffic qos** command specifies the traffic to which it applies: all CPU traffic, only CPU IP traffic, or only CPU non-IP traffic. All other traffic retains its QoS markings. This feature does not affect CFM traffic (including Layer 2 IP SLA probes using CFM).



### Note

Cisco IOS Release 12.2(52)SE provides the ability to mark CoS, IP-DSCP and IP precedence of CPU-generated traffic by using table maps.

## QoS Queuing for CPU-Generated Traffic

You can use the QoS markings established for the CPU-generated traffic by the **cpu traffic qos** global configuration command as packet identifiers in the class-map of an output policy-map to map CPU traffic to class-queues in the output policy-map on the egress port. You can then use output policy-maps on the egress port to configure queuing and scheduling for traffic leaving the switch from that port.

If you want to map *all* CPU-generated traffic to a single class in the output policy-maps without changing the CoS, IP DSCP, or IP-precedence packet markings, you can use QoS groups for marking CPU-generated traffic.

If you want to map *all* CPU-generated IP traffic to classes in the output policy maps based on IP-DSCP or IP precedence without changing those packet markings, you can use a table map:

- Configure IP-DSCP or IP precedence marking by using **DSCP** or **precedence** as the **map from** value *without* a table map.
- Configure IP-DSCP or IP-precedence marking by using **DSCP** or **precedence** as the **map from** value *with* a table map, using only the **default** and **copy** keywords.

If you want to map *all* CPU-generated traffic to classes in the output policy maps based on the CoS without changing the CoS packet markings, you can use the table map:

- Configure CoS marking by using **CoS** as the **map from** value *without* a table map.
- Configure CoS marking using **CoS** as the **map from** value *with* a table map, using only the **default** and **copy** keywords.

For details about table maps, see the [“Table Maps” section on page 34-15](#).

Using the **cpu traffic qos** global configuration command with table mapping, you can configure multiple marking and queuing policies to work together or independently. You can queue native VLAN traffic based on the CoS markings configured using the **cpu traffic qos** global configuration command.

The **cpu traffic qos** command specifies the traffic to which it applies: all CPU traffic, only CPU-IP traffic, or only CPU non-IP traffic. All other traffic is statically mapped to a CPU-default queue on the egress port. All CFM traffic (including Layer 2 IP SLA probes using CFM) is mapped to classes in the output policy map and queued based on their CoS value.



### Note

---

Cisco IOS Release 12.2(52)SE provides the ability to queue based on the CoS, IP-DSCP, and IP precedence of CPU-generated traffic.

---

## Configuration Guidelines

- This feature must be configured globally for a switch; it cannot be configured per-port or per-protocol.
- Enter each **cpu traffic qos** marking action on a separate line.
- The **cpu traffic qos cos** global configuration command configures CoS marking for CPU-generated traffic by using either a specific CoS value or a table map, but not both. A new configuration overwrites the existing configuration.
- The **cpu traffic qos dscp** global configuration command configures IP-DSCP marking for CPU-generated IP traffic by using either a specific DSCP value or a table map, but not both. A new configuration overwrites the existing configuration.

- The **cpu traffic qos precedence** global configuration command configures IP-precedence marking for CPU-generated IP traffic by using either a specific precedence value or a table map, but not both. A new configuration overwrites the existing configuration.
- The **cpu traffic qos dscp** and **cpu traffic qos precedence** global configuration commands are mutually exclusive. A new configuration overwrites the existing configuration.
- When the **cpu traffic qos dscp** global configuration command is configured with table maps, you can configure only one **map from** value at a time—DSCP, precedence, or CoS. A new configuration overwrites the existing configuration. Packets marked by this command can be classified and queued by an output policy map based on the marked DSCP or precedence value.
- When the **cpu traffic qos precedence** global configuration command is configured with table maps, you can configure only one **map from** value at a time—DSCP, precedence, or CoS. A new configuration overwrites the existing configuration. Packets marked by this command can be classified and queued by an output policy map based on the marked precedence or DSCP value.
- You cannot configure a **map from** value of both DSCP and precedence. A new configuration overwrites the existing configuration.
- When the **cpu traffic qos cos** global configuration command is configured with table maps, you can configure two **map from** values at a time—CoS and either DSCP or precedence.
- If the **cpu traffic qos cos** global configuration command is configured with only a **map from** value of DSCP or precedence:
  - The CoS value of IP packets is mapped by using the DSCP (or precedence) value in the packet and the configured table map. Packets can be classified and queued by an output policy map based on the marked CoS value.
  - The CoS value of non-IP packets remains unchanged.
- If the **cpu traffic qos cos** global configuration command is configured with a **map from** value of CoS:
  - The CoS value of IP packets is mapped by using the CoS value in the packet and the configured table map. Packets can be classified and queued by an output policy map based on the marked CoS value.
  - The CoS value of non-IP packets is mapped by using the CoS value in the packet and the configured table map. Packets can be classified and queued by an output policy map based on the marked CoS value.
- If the **cpu traffic qos cos** global configuration command is configured with a **map from** value of DSCP or precedence and CoS:
  - The CoS value of IP packets is mapped by using the DSCP or precedence value in the packet and the configured table map. Packets can be classified and queued by an output policy map based on the marked CoS value.
  - The CoS value of non-IP packets is mapped by using the CoS value in the packet and the configured table map. Packets can be classified and queued by an output policy map based on the marked CoS value.
- The **cpu traffic qos qos-group** global configuration command can be used to configure QoS group marking for CPU-generated traffic only for a specific QoS group. The **table-map** option is not available.

## Congestion Management and Scheduling

Cisco Modular QoS CLI (MQC) provides several related mechanisms to control outgoing traffic flow. They are implemented in output policy maps to control output traffic queues. The scheduling stage holds packets until the appropriate time to send them to one of the four traffic queues. Queuing assigns a packet to a particular queue based on the packet class, and is enhanced by the WTD algorithm for congestion avoidance. You can use different scheduling mechanisms to provide a guaranteed bandwidth to a particular class of traffic while also serving other traffic in a fair way. You can limit the maximum bandwidth that can be consumed by a particular class of traffic and ensure that delay-sensitive traffic in a low-latency queue is sent before traffic in other queues.

The switch supports these scheduling mechanisms:

- Traffic shaping

You use the **shape average** policy map class configuration command to specify that a class of traffic should have a maximum permitted average rate. You specify the maximum rate in bits per second.

- Class-based-weighted-fair-queuing (CBWFQ)

You can use the **bandwidth** policy-map class configuration command to control the bandwidth allocated to a specific class. Minimum bandwidth can be specified as a bit rate or a percentage of total bandwidth or of remaining bandwidth.

- Priority queuing or class-based priority queuing

You use the **priority** policy-map class configuration command to specify the priority of a type of traffic over other types of traffic. You can specify strict priority for the high-priority traffic and allocate any excess bandwidth to other traffic queues, or specify priority with unconditional policing of high-priority traffic and allocate the known remaining bandwidth among the other traffic queues.

- To configure strict priority, use only the **priority** policy-map class configuration command to configure the priority queue. Use the **bandwidth remaining percent** policy-map class configuration command for the other traffic classes to allocate the excess bandwidth in the desired ratios.
- To configure priority with unconditional policing, configure the priority queue by using the **priority** policy-map class configuration command and the **police** policy-map class configuration command to unconditionally rate-limit the priority queue. In this case, you can configure the other traffic classes with **bandwidth** or **shape average**, depending on requirements.

These sections contain additional information about scheduling:

- [Traffic Shaping, page 34-26](#)
- [Class-Based Weighted Fair Queuing, page 34-28](#)
- [Priority Queuing, page 34-30](#)

### Traffic Shaping

Traffic shaping is a traffic-control mechanism similar to traffic policing. While traffic policing is used in input policy maps, traffic shaping occurs as traffic leaves an interface. The switch can apply class-based shaping to classes of traffic leaving an interface and port shaping to all traffic leaving an interface. Configuring a queue for traffic shaping sets the maximum bandwidth or peak information rate (PIR) of the queue.

**Note**

You cannot configure traffic shaping (**shape average**) and CBWFQ (**bandwidth**) or priority queuing (**priority**) for the same class in an output policy map. You cannot configure traffic shaping for a traffic class when strict priority (priority without police) is configured for another class within the output policy-map.

## Class-Based Shaping

Class-based shaping uses the **shape average** policy-map class configuration command to limit the rate of data transmission as the number of bits per second to be used for the committed information rate for a class of traffic. The switch supports separate queues for three classes of traffic. The fourth queue is always the default queue for class **class-default**, unclassified traffic.

**Note**

In the Cisco ME switch, configuring traffic shaping also automatically sets the minimum bandwidth guarantee or committed information rate (CIR) of the queue to the same value as the PIR.

This example shows how to configure traffic shaping for outgoing traffic on a Fast Ethernet port so that *outclass1*, *outclass2*, and *outclass3* get a maximum of 50, 20, and 10 Mbps, respectively, of the available port bandwidth. The class **class-default** at a minimum gets the remaining bandwidth.

```
Switch(config)# policy-map out-policy
Switch(config-pmap)# class classout1
Switch(config-pmap-c)# shape average 50000000
Switch(config-pmap-c)# exit
Switch(config-pmap)# class classout2
Switch(config-pmap-c)# shape average 20000000
Switch(config-pmap-c)# exit
Switch(config-pmap)# class classout3
Switch(config-pmap-c)# shape average 10000000
Switch(config-pmap-c)# exit
Switch(config-pmap)# exit
Switch(config)# interface fastethernet 0/1
Switch(config-if)# service-policy output out-policy
Switch(config-if)# exit
```

## Port Shaping

To configure port shaping (a transmit port shaper), create a policy map that contains only a default class, and use the **shape average** command to specify the maximum bandwidth for a port.

This example shows how to configure a policy map that shapes a port to 90 Mbps, allocated according to the *out-policy* policy map configured in the previous example. The **service-policy** policy map class command is used to create a child policy to the parent:

```
Switch(config)# policy-map out-policy-parent
Switch(config-pmap)# class class-default
Switch(config-pmap-c)# shape average 90000000
Switch(config-pmap-c)# service-policy out-policy
Switch(config-pmap-c)# exit
Switch(config-pmap)# exit
Switch(config)# interface fastethernet0/1
Switch(config-if)# service-policy output out-policy-parent
Switch(config-if)# exit
```

## Parent-Child Hierarchy

The switch also supports *parent* policy levels and *child* policy levels for traffic shaping. The QoS parent-child structure is used for specific purposes where a child policy is referenced in a parent policy to provide additional control of a specific traffic type.

The first policy level, the parent level, is used for port shaping, and you can specify only one class of type **class-default** within the policy. This is an example of a parent-level policy map:

```
Switch(config)# policy-map parent
Switch(config-pmap)# class class-default
Switch(config-pmap-c)# shape average 50000000
Switch(config-pmap-c)# exit
```

The second policy level, the *child* level, is used to control a specific traffic stream or class, as in this example:

```
Switch(config)# policy-map child
Switch(config-pmap)# class class1
Switch(config-pmap-c)# priority
Switch(config-pmap-c)# exit
```



### Note

The total of the minimum bandwidth guarantees (CIR) for each queue of the child policy cannot exceed the total port-shape rate.

This is an example of a parent-child configuration:

```
Switch(config)# policy-map parent
Switch(config-pmap)# class class-default
Switch(config-pmap-c)# shape average 50000000
Switch(config-pmap-c)# service-policy child
Switch(config-pmap-c)# exit
Switch(config-pmap)# exit
Switch(config)# interface fastethernet0/1
Switch(config-if)# service-policy output parent
Switch(config-if)# exit
```

## Class-Based Weighted Fair Queuing

You can configure class-based weighted fair queuing (CBWFQ) to set the relative precedence of a queue by allocating a portion of the total bandwidth that is available for the port. You use the **bandwidth** policy-map class configuration command to set the output bandwidth for a class of traffic as a rate (kilobits per second), a percentage of total bandwidth, or a percentage of remaining bandwidth.



### Note

When you configure bandwidth in a policy map, you must configure all rates in the same format, either a configured rate or a percentage. The total of the minimum bandwidth guarantees (CIR) for each queue of the policy cannot exceed the total speed of the parent.

- When you use the **bandwidth** policy-map class configuration command to configure a class of traffic as an absolute rate (kilobits per second) or a percentage of total bandwidth, this represents the minimum bandwidth guarantee (CIR) for that traffic class. This means that the traffic class gets at least the bandwidth indicated by the command, but is not limited to that bandwidth. Any excess bandwidth on the port is allocated to each class in the same ratio in which the CIR rates are configured.






---

**Note** You cannot configure bandwidth as an absolute rate or a percentage of total bandwidth when strict priority (priority without police) is configured for another class in the output policy.

---

- When you use the **bandwidth** policy-map class configuration command to configure a class of traffic as a percentage of *remaining* bandwidth, this represents the portion of the excess bandwidth of the port that is allocated to the class. This means that the class is allocated bandwidth only if there is excess bandwidth on the port, and if there is no minimum bandwidth guarantee for this traffic class.




---

**Note** You can configure bandwidth as percentage of remaining bandwidth only when strict priority (priority without police) is configured for another class in the output policy map.

---

For more information, see the [“Configuring Output Policy Maps with Class-Based-Weighted-Queuing” section on page 34-67](#).




---

**Note** You cannot configure bandwidth and traffic shaping (**shape average**) or priority queuing (**priority**) for the same class in an output policy map.

---

This example shows how to set the precedence of output queues by setting bandwidth in kilobits per second. The classes *outclass1*, *outclass2*, and *outclass3* and **class-default** get a minimum of 40000, 20000, 10000, and 10000 kbps. Any excess bandwidth is divided among the classes in the same proportion as the CIR rated.

```
Switch(config)# policy-map out-policy
Switch(config-pmap)# class outclass1
Switch(config-pmap-c)# bandwidth 40000
Switch(config-pmap-c)# exit
Switch(config-pmap)# class outclass2
Switch(config-pmap-c)# bandwidth 20000
Switch(config-pmap-c)# exit
Switch(config-pmap)# class outclass3
Switch(config-pmap-c)# bandwidth 10000
Switch(config-pmap-c)# exit
Switch(config-pmap)# class class-default
Switch(config-pmap-c)# bandwidth 10000
Switch(config-pmap-c)# exit
Switch(config-pmap)# exit
Switch(config)# interface fastethernet 0/1
Switch(config-if)# service-policy output out-policy
Switch(config-if)# exit
```




---

**Note** When you configure CIR bandwidth for a class as an absolute rate or percentage of the total bandwidth, any excess bandwidth remaining after servicing the CIR of all the classes in the policy map is divided among the classes in the same proportion as the CIR rates. If the CIR rate of a class is configured as 0, that class is also not eligible for any excess bandwidth and as a result receives no bandwidth.

---

This example shows how to allocate the excess bandwidth among queues by configuring bandwidth for a traffic class as a percentage of remaining bandwidth. The class *outclass1* is given priority queue treatment. The other classes are configured to get percentages of the excess bandwidth if any remains after servicing the priority queue: *outclass2* is configured to get 50 percent, *outclass3* to get 20 percent, and the class **class-default** to get the remaining 30 percent.

```
Switch(config)# policy-map out-policy
Switch(config-pmap)# class outclass1
Switch(config-pmap-c)# priority
Switch(config-pmap-c)# exit
Switch(config-pmap)# class outclass2
Switch(config-pmap-c)# bandwidth remaining percent 50
Switch(config-pmap-c)# exit
Switch(config-pmap)# class outclass3
Switch(config-pmap-c)# bandwidth remaining percent 20
Switch(config-pmap-c)# exit
Switch(config-pmap)# exit
Switch(config)# interface fastethernet 0/1
Switch(config-if)# service-policy output out-policy
Switch(config-if)# exit
```

## Priority Queuing

You can use the **priority** policy-map class configuration command to ensure that a particular class of traffic is given preferential treatment. With strict priority queuing, the priority queue is constantly serviced. All packets in the queue are scheduled and sent until the queue is empty. Priority queuing allows traffic for the associated class to be sent before packets in other queues are sent.



### Note

You should exercise care when using the **priority** command. Excessive use of strict priority queuing might cause congestion in other queues.

The switch supports strict priority queuing or priority used with the **police** policy-map command.

- *Strict priority queuing* (priority without police) assigns a traffic class to a low-latency queue to ensure that packets in this class have the lowest possible latency. When this is configured, the priority queue is continually serviced until it is empty, possibly at the expense of packets in other queues.



### Note

You cannot configure priority without policing for a traffic class when traffic shaping or CBWFQ are configured for another class in the same output policy map.

- You can use priority with the **police** policy-map command, or *unconditional priority policing*, to reduce the bandwidth used by the priority queue. This is the only form of policing that is supported in output policy maps. Using this combination of commands configures a maximum rate on the priority queue, and you can use the **bandwidth** and **shape average** policy-map commands for other classes to allocate traffic rates on other queues.



### Note

When priority is configured in an output policy map *without* the **police** command, you can only configure the other queues for sharing by using the **bandwidth remaining percent** policy-map command to allocate excess bandwidth.

Priority queuing has these restrictions:

- You can associate the **priority** command with a single unique class for all attached output polices on the switch.
- You cannot configure priority and any other scheduling action (**shape average** or **bandwidth**) in the same class.
- You cannot configure priority queuing for the **class-default** of an output policy map.

For more information, see the [“Configuring Output Policy Maps with Class-Based Priority Queuing” section on page 34-71](#).

This example shows how to configure the class *out-class1* as a strict priority queue so that all packets in that class are sent before any other class of traffic. Other traffic queues are configured so that *out-class-2* gets 50 percent of the remaining bandwidth and *out-class3* gets 20 percent of the remaining bandwidth. The class **class-default** receives the remaining 30 percent with no guarantees.

```
Switch(config)# policy-map policy1
Switch(config-pmap)# class out-class1
Switch(config-pmap-c)# priority
Switch(config-pmap-c)# exit
Switch(config-pmap)# class out-class2
Switch(config-pmap-c)# bandwidth remaining percent 50
Switch(config-pmap-c)# exit
Switch(config-pmap)# class out-class3
Switch(config-pmap-c)# bandwidth remaining percent 20
Switch(config-pmap-c)# exit
Switch(config-pmap)# exit
Switch(config)# interface gigabitethernet 0/1
Switch(config-if)# service-policy output policy1
Switch(config-if)# exit
```

This example shows how to use the **priority** with **police** commands to configure *out-class1* as the priority queue, with traffic going to the queue limited to 20000000 bps so that the priority queue will never use more than that. Traffic above that rate is dropped. The other traffic queues are configured to use 50 and 20 percent of the bandwidth that is left, as in the previous example.

```
Switch(config)# policy-map policy1
Switch(config-pmap)# class out-class1
Switch(config-pmap-c)# priority
Switch(config-pmap-c)# police 200000000
Switch(config-pmap-c)# exit
Switch(config-pmap)# class out-class2
Switch(config-pmap-c)# bandwidth percent 50
Switch(config-pmap-c)# exit
Switch(config-pmap)# class out-class3
Switch(config-pmap-c)# bandwidth percent 20
Switch(config-pmap-c)# exit
Switch(config-pmap)# exit

Switch(config)# interface gigabitethernet 0/1
Switch(config-if)# service-policy output policy1
Switch(config-if)# exit
```

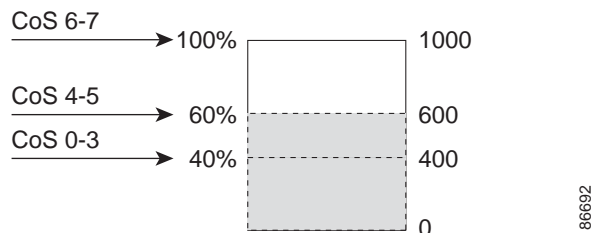
## Congestion Avoidance and Queuing

Congestion avoidance uses algorithms such as tail drop to control the number of packets entering the queuing and scheduling stage to avoid congestion and network bottlenecks. The switch uses weighted tail drop (WTD) to manage the queue sizes and provide a drop precedence for traffic classifications. You set the queue size limits depending on the markings of the packets in the queue. Each packet that travels through the switch can be assigned to a specific queue and threshold. For example, specific DSCP or CoS values can be mapped to a specific egress queue and threshold.

WTD is implemented on traffic queues to manage the queue size and to provide drop precedences for different traffic classifications. As a frame enters a particular queue, WTD uses the packet classification to subject it to different thresholds. If the total destination queue size is greater than the threshold of any reclassified traffic, the next frame of that traffic is dropped.

Figure 34-7 shows an example of WTD operating on a queue of 1000 frames. Three drop percentages are configured: 40 percent (400 frames), 60 percent (600 frames), and 100 percent (1000 frames). These percentages mean that traffic reclassified to the 40-percent threshold is dropped when the queue depth exceeds 400 frames, traffic reclassified to 60 percent is dropped when the queue depth exceeds 600 frames, and traffic up to 400 frames can be queued at the 40-percent threshold, up to 600 frames at the 60-percent threshold, and up to 1000 frames at the 100-percent threshold.

**Figure 34-7** WTD and Queue Operation



In this example, CoS values 6 and 7 have a greater importance than the other CoS values, and they are assigned to the 100-percent drop threshold (queue-full state). CoS values 4 and 5 are assigned to the 60-percent threshold, and CoS values 0 to 3 are assigned to the 40-percent threshold.

If the queue is already filled with 600 frames, and a new frame arrives containing CoS values 4 and 5, the frame is subjected to the 60-percent threshold. When this frame is added to the queue, the threshold would be exceeded, so the switch drops it.

WTD is configured by using the **queue-limit** policy-map class command. The command adjusts the queue size (buffer size) associated with a particular class of traffic. You specify the threshold as the number of packets, where each packet is a fixed unit of 256 bytes. You can specify different queue sizes for different classes of traffic (CoS, DSCP, precedence, or QoS group) in the same queue. Setting a queue limit establishes a drop threshold for the associated traffic when congestion occurs.



### Note

You cannot configure queue size by using the **queue-limit** policy map class command without first configuring a scheduling action (**bandwidth**, **shape average**, or **priority**). The only exception to this is when you configure queue-limit for the **class-default** of an output policy map.

The switch supports up to three unique queue-limit configurations across all output policy maps. Within an output policy map, only four queues (classes) are allowed, including the class default. Each queue has three thresholds defined. Only three unique threshold value configurations are allowed on the switch. However, multiple policy maps can share the same queue-limits. When two policy maps share a queue-limit configuration, all threshold values must be the same for all the classes in both policy maps.

For more information, see the [“Configuring Output Policy Maps with Class-Based-Weighted-Queuing” section on page 34-67](#).

This example configures *class A* to match DSCP values and a policy map, *PM1*. The DSCP values of 30 and 50 are mapped to unique thresholds (32 and 64, respectively). The DSCP values of 40 and 60 are mapped to the maximum threshold of 112 packets.

```
Switch(config)# class-map match-any classA
Switch(config-cmap)# match ip dscp 30 40 50 60
Switch(config-cmap)# exit
Switch(config)# policy-map PM1
Switch(config-pmap)# class classA
Switch(config-pmap-c)# bandwidth percent 50
Switch(config-pmap-c)# queue-limit 112
Switch(config-pmap-c)# queue-limit dscp 30 32
Switch(config-pmap-c)# queue-limit dscp 50 64
Switch(config-pmap-c)# exit
Switch(config-pmap)# exit
Switch(config)# interface gigabitethernet 0/1
Switch(config-if)# service-policy output PM1
Switch(config-if)# exit
```

You can use these same queue-limit values in multiple output policy maps on the switch. However, changing one of the queue-limit values in a class creates a new, unique queue-limit configuration. You can attach only three unique queue-limit configurations in output policy maps to interfaces at any one time. If you attempt to attach an output policy map with a fourth unique queue-limit configuration, you see this error message:

```
QoS: Configuration failed. Maximum number of allowable unique queue-limit
configurations exceeded.
```



#### Note

When you configure a queue limit for a class in an output policy map, all other output policy maps must use the same qualifier type and qualifier value format. Only the queue-limit threshold values can be different. For example, when you configure *class A* queue limit thresholds for **dscp 30** and **dscp 50** in policy map *PM1*, and you configure *class A* queue limits in policy map *PM2*, you must use **dscp 30** and **dscp 50** as qualifiers. You cannot use **dscp 20** and **dscp 40**. The threshold values can be different, but different threshold values creates a new queue-limit configuration.

By default, the total amount of buffer space is divided equally among all ports and all queues per port, which is adequate for many applications. You can decrease the queue size for latency-sensitive traffic or increase the queue size for bursty traffic.



#### Note

When you use the **queue-limit** command to configure queue thresholds for a class, the WTD thresholds must be less than or equal to the queue maximum threshold. A queue size configured with no qualifier must be larger than any queue sizes configured with qualifiers.

When you configure queue limit, the range for the number of packets is from 16 to 544, in multiples of 16, where each packet is a fixed unit of 256 bytes.

**Note**


---

For optimal performance, we strongly recommend that you configure the `queue-limit` to 272 or less.

---

Queue bandwidth and queue size (queue limit) are configured separately and are not interdependent. You should consider the type of traffic being sent when you configure bandwidth and `queue-limit`:

- A large buffer (queue limit) can better accommodate bursty traffic without packet loss, but at the cost of increased latency.
- A small buffer reduces latency but is more appropriate for steady traffic flows than for bursty traffic.
- Very small buffers are typically used to optimize priority queuing. For traffic that is priority queued, the buffer size usually needs to accommodate only a few packets; large buffer sizes that increase latency are not usually necessary. For high-priority latency-sensitive packets, configure a relatively large bandwidth and relatively small queue size.

**Note**


---

These restrictions apply to WTD qualifiers:

- You cannot configure more than two threshold values for WTD qualifiers (**cos**, **dscp**, **precedence**, **qos-group**) by using the **queue-limit** command. However, there is no limit to the number of qualifiers that you can map to these thresholds. You can configure a third threshold value to set the maximum queue by using the **queue-limit** command with no qualifiers.
  - A WTD qualifier in the **queue-limit** command must be the same as at least one **match** qualifier in the associated class map.
- 

This example shows how to configure bandwidth and queue limit so that *out-class1*, *out-class2*, *out-class3*, and **class-default** get a minimum of 40, 20, 10 and 10 percent of the traffic bandwidth, respectively. The corresponding queue-sizes are set to 48, 32, 16 and 272 (256-byte) packets:

```
Switch(config)# policy-map out-policy
Switch(config-pmap)# class outclass1
Switch(config-pmap-c)# bandwidth percent 40
Switch(config-pmap-c)# queue-limit 48
Switch(config-pmap-c)# exit
Switch(config-pmap)# class outclass2
Switch(config-pmap-c)# bandwidth percent 20
Switch(config-pmap-c)# queue-limit 32
Switch(config-pmap-c)# exit
Switch(config-pmap)# class outclass3
Switch(config-pmap-c)# bandwidth percent 10
Switch(config-pmap-c)# queue-limit 16
Switch(config-pmap-c)# exit
Switch(config-pmap)# class class-default
Switch(config-pmap-c)# bandwidth percent 10
Switch(config-pmap-c)# queue-limit 272
Switch(config-pmap-c)# exit
Switch(config-pmap)# exit
Switch(config)# interface gigabitethernet 0/1
Switch(config-if)# service-policy output out-policy
Switch(config-if)# exit
```

You can configure and attach as many output policy maps as there are switch ports, but only three unique `queue-limit` configurations are allowed. When another output policy map uses the same `queue-limit` and class configurations, even if the bandwidth percentages are different, it is considered to be the same `queue-limit` configuration.

# Configuring QoS

Before configuring QoS, you must have a thorough understanding of these factors:

- The types of applications used and the traffic patterns on your network.
- Traffic characteristics and needs of your network. Is the traffic bursty? Do you need to reserve bandwidth for voice and video streams?
- Bandwidth requirements and speed of the network.
- Location of congestion points in the network.

These sections describe how to classify, police, and mark incoming traffic, and schedule and queue outgoing traffic. Depending on your network configuration, you must perform one or more of these tasks.

- [Default QoS Configuration, page 34-35](#)
- [QoS Configuration Guidelines, page 34-35](#)
- [Using ACLs to Classify Traffic, page 34-37](#)
- [Using Class Maps to Define a Traffic Class, page 34-41](#)
- [Configuring Table Maps, page 34-43](#)
- [Attaching a Traffic Policy to an Interface, page 34-44](#)
- [Configuring Input Policy Maps, page 34-45](#)
- [Configuring Output Policy Maps, page 34-65](#)
- [Configuring QoS Classification for QinQ-Based Service, page 34-78](#)
- [Configuring 802.1ad QoS, page 34-89](#)
- [Configuring QoS Marking and Queuing for CPU-Generated Traffic, page 34-92](#)

## Default QoS Configuration

There are no policy maps, class maps, table maps, or policers configured. At the egress port, all traffic goes through a single default queue that is given the full operational port bandwidth. The default size of the default queue is 160 (256-byte) packets.

The packets are not modified (the CoS, DEI, DSCP, and IP precedence values in the packet are not changed). Traffic is switched in pass-through mode without any rewrites and classified as best effort without any policing.

## QoS Configuration Guidelines

- You can configure QoS only on physical ports.
- On a port configured for QoS, all traffic received through the port is classified, policed, and marked according to the input policy map attached to the port. On a trunk port configured for QoS, traffic in all VLANs received through the port is classified, policed, and marked according to the policy map attached to the port. If a per-port, per-VLAN policy map is attached, traffic on the trunk port is classified, policed, and marked for the VLANs specified in the parent-level policy, according to the child policy map associated with each VLAN.

- If you have EtherChannel ports configured on your switch, you must configure QoS classification, policing, mapping, and queuing on the individual physical ports that comprise the EtherChannel. You must decide whether the QoS configuration should match on all ports in the EtherChannel.
- Control traffic (such as spanning-tree bridge protocol data units [BPDUs] and routing update packets) received by the switch are subject to all ingress QoS processing.
- You are likely to lose data when you change queue settings; therefore, try to make changes when traffic is at a minimum.
- When you try to attach a new policy to an interface and this brings the number of policer *instances* to more than 1024 minus 1 more than the number of interfaces on the switch, you receive an error message, and the configuration fails.
- When you try to attach new policy to an interface and this brings the number of policer *profiles* to more than 254, you receive an error message, and the configuration fails. A profile is a combination of commit rate, peak rate, commit burst, and peak burst. You can attach one profile to multiple instances, but if one of these characteristics differs, the policer is considered to have a new profile.
- On all ME 3400E switches, you can specify 256 *unique* VLAN classification criteria within a per-port, per-VLAN policy-map, across all ports on the switch. Any policy attachment or change that causes this limit to be exceeded fails with a *VLAN label resources exceeded* error message.
- ME 3400 and ME 3400E 24TS, 2CS, and 12 CS models supported ingress QoS classification for 254 unique VLAN IDs on the switch. Starting with Cisco IOS Release 12.2(53)SE, on the 24TS and 2CS switches, you can configure ingress QoS classification for 256 or more VLAN IDs (255 unique VLAN IDs plus the class-default, which can classify on all remaining VLAN-IDs). On the 12CS switches, you can configure ingress QoS classification for 1024 or more VLAN-IDs on the switch (255 unique VLAN IDs plus class default, which can classify on all the rest of the VLAN-IDs, on each set of four ports).
- In Cisco IOS Release 12.2(53)SE and later, on ME 3400E switches you can also classify on the inner VLAN-ID of QinQ packets on QinQ ports. There is no limit on any switch models to the number of inner VLAN IDs that can be classified in ingress QoS policies.
- On all ME 3400E switches, you can attach per-port and per-port, per-VLAN policy-maps across all ports on the switch until QoS ACE classification resource limitations are reached. Any policy attachment or change that causes this limit to be exceeded fails with a *TCAM resources exceeded* error message.
- When CPU protection is enabled, you can configure only 45 policers per port. Disabling CPU protection allows you to configure up to 64 policers per port. You can enter the **show policer cpu uni-eni {drop | rate}** privileged EXEC command to see if CPU protection is enabled.
- Note these limitations when you disable CPU protection:
  - When CPU protection is disabled, you can configure a maximum of 63 policers per port (62 on every 4th port) for user-defined classes, and one for class-default for all ME 3400E switches. Any policy attachment or change that causes this limit to be exceeded fails with a *policer resources exceeded* error message.
  - When CPU protection is disabled, you can configure a maximum of 255 policers on the switch for the ME3400E-24TS platform. Any policy attachment or change that causes this limit to be exceeded fails with a *policer resources exceeded* error message.
  - If you disable CPU protection and attach a policy map with more than 45 policers, and then enable CPU protection again, and reload, 19 policers per port are again required for CPU protection. During reload, the policers 46 and above will reach the *policer resources exceeded* error condition and no policers are attached to those classes.
- If the number of internal QoS labels exceeds 254, you receive an error message.



- Table maps are not supported for **violate-action** for aggregate policing unless you configure a table map for **exceed-action** and no explicit action is configured for **violate-action**. For both individual and aggregate policers, if you do not configure a **violate-action**, by default the violate class is assigned the same action as the **exceed-action**.
- If double-tagged packets are received on a trunk or 802.1Q tunnel interface, these packets can be classified on DSCP and IP precedence along with other parameters, but you cannot set DSCP or IP precedence on the outgoing packets. You can set CoS on the outgoing packets.

See the configuration sections for specific QoS features for more configuration guidelines related to each feature.

## Using ACLs to Classify Traffic

You can classify IP traffic by using IP standard or IP extended ACLs. You can classify IP and non-IP traffic by using Layer 2 MAC ACLs. For more information about configuring ACLs, see [Chapter 32, “Configuring Network Security with ACLs.”](#)

Follow these guidelines when configuring QoS ACLs:

- You cannot match IP fragments against configured IP extended ACLs to enforce QoS. IP fragments are sent as best-effort. IP fragments are denoted by fields in the IP header.
- The switch supports only one access group per class in an input policy map.
- You cannot configure **match-access** group in an output policy map.
- In past releases, multifield classification using Layer-3 IP ACLs and DSCP classification simultaneously for every packet was not fully supported. You could configure either Layer-3 IP ACL classification or DSCP classification for every packet. Also multifield classification using Layer-2 MAC ACLs and COS classification simultaneously for every packet was not fully supported. You could configure either Layer-2 MAC-ACL classification or COS classification for every packet.

In Cisco IOS Release 12.2(53)SE and later, you can simultaneously configure multifield classification with Layer-3 IP ACLs and DSCP classification for every packet by using the IP access group to identify the required DSCP value to be classified along with other IP-header fields. You can also simultaneously configure multifield classification with Layer-2 MAC ACLs and COS classification for every packet by using the MAC access group to identify the COS value to be classified along with other MAC-header fields.

These sections describe how to create QoS ACLs:

- [“Creating IP Standard ACLs” section on page 34-38](#)
- [“Creating IP Extended ACLs” section on page 34-39](#)
- [“Creating Layer 2 MAC ACLs” section on page 34-40](#)

## Creating IP Standard ACLs

Beginning in privileged EXEC mode, follow these steps to create an IP standard ACL for IP traffic:

	Command	Purpose
Step 1	<b>configure terminal</b>	Enter global configuration mode.
Step 2	<b>access-list</b> <i>access-list-number</i> <b>permit</b> <i>source</i> [ <i>source-wildcard</i> ]	Create an IP standard ACL, repeating the command as many times as necessary. <ul style="list-style-type: none"> <li>For <i>access-list-number</i>, enter the access list number. The range is 1 to 99 and 1300 to 1999.</li> <li>Always use the <b>permit</b> keyword for ACLs used as match criteria in QoS policies. QoS policies do not match ACLs that use the <b>deny</b> keyword.</li> <li>For <i>source</i>, enter the network or host from which the packet is being sent. You can use the <b>any</b> keyword as an abbreviation for 0.0.0.0 255.255.255.255.</li> <li>(Optional) For <i>source-wildcard</i>, enter the wildcard bits in dotted decimal notation to be applied to the source.</li> </ul>
or	<b>ip access-list standard</b> <i>name</i>	Define a standard IPv4 access list using a name, and enter access-list configuration mode. The name can be a number from 1 to 99.  In access-list configuration mode, enter <b>permit</b> <i>source</i> [ <i>source-wildcard</i> ]
Step 3	<b>end</b>	Return to privileged EXEC mode.
Step 4	<b>show access-lists</b>	Verify your entries.
Step 5	<b>copy running-config startup-config</b>	(Optional) Save your entries in the configuration file.

To delete an access list, use the **no access-list** *access-list-number* global configuration command.

This example shows how to allow access for only those hosts on the three specified networks. The wildcard bits apply to the host portions of the network addresses.

```
Switch(config)# access-list 1 permit 192.5.255.0 0.0.0.255
Switch(config)# access-list 1 permit 128.88.0.0 0.0.255.255
Switch(config)# access-list 1 permit 36.0.0.0 0.0.0.255
```

## Creating IP Extended ACLs

Beginning in privileged EXEC mode, follow these steps to create an IP extended ACL for IP traffic:

	Command	Purpose
Step 1	<b>configure terminal</b>	Enter global configuration mode.
Step 2	<b>access-list</b> <i>access-list-number</i> <b>permit</b> <i>protocol</i> { <i>source source-wildcard destination destination-wildcard</i> } [ <b>precedence</b> <i>precedence</i> ] [ <b>tos</b> <i>tos</i> ] [ <b>dscp</b> <i>dscp</i> ]  <b>Note</b> If you enter a <b>dscp</b> value, you cannot enter <b>tos</b> or <b>precedence</b> . You can enter both a <b>tos</b> and a <b>precedence</b> value with no <b>dscp</b> .	<p>Create an IP extended ACL. Repeat the step as many times as necessary.</p> <ul style="list-style-type: none"> <li>For <i>access-list-number</i>, enter the access list number. The range is 100 to 199 and 2000 to 2699.</li> <li>Always use the <b>permit</b> keyword for ACLs used as match criteria in QoS policies. QoS policies do not match <b>deny</b> ACLs.</li> <li>For <i>protocol</i>, enter the name or number of an IP protocol. Use the question mark (?) to see a list of available protocols. To match any Internet protocol (including ICMP, TCP, and UDP), enter <b>ip</b>.</li> <li>The <i>source</i> is the number of the network or host sending the packet.</li> <li>The <i>source-wildcard</i> applies wildcard bits to the source.</li> <li>The <i>destination</i> is the network or host number receiving the packet.</li> <li>The <i>destination-wildcard</i> applies wildcard bits to the destination.</li> </ul> <p>You can specify source, destination, and wildcards as:</p> <ul style="list-style-type: none"> <li>The 32-bit quantity in dotted-decimal format.</li> <li>The keyword <b>any</b> for 0.0.0.0 255.255.255.255 (any host).</li> <li>The keyword <b>host</b> for a single host 0.0.0.0.</li> </ul> <p>Other keywords are optional and have these meanings:</p> <ul style="list-style-type: none"> <li><b>precedence</b>—Enter to match packets with a precedence level specified as a number from 0 to 7 or by name: <b>routine</b> (0), <b>priority</b> (1), <b>immediate</b> (2), <b>flash</b> (3), <b>flash-override</b> (4), <b>critical</b> (5), <b>internet</b> (6), <b>network</b> (7).</li> <li><b>tos</b>—Enter to match by type of service level, specified by a number from 0 to 15 or a name: <b>normal</b> (0), <b>max-reliability</b> (2), <b>max-throughput</b> (4), <b>min-delay</b> (8).</li> <li><b>dscp</b>—Enter to match packets with the DSCP value specified by a number from 0 to 63, or use the question mark (?) to see a list of available values.</li> </ul>
or	<b>ip access-list extended</b> <i>name</i>	<p>Define an extended IPv4 access list using a name, and enter access-list configuration mode. The <i>name</i> can be a number from 100 to 199.</p> <p>In access-list configuration mode, enter <b>permit</b> <i>protocol</i> {<i>source source-wildcard destination destination-wildcard</i>} [<b>precedence</b> <i>precedence</i>] [<b>tos</b> <i>tos</i>] [<b>dscp</b> <i>dscp</i>] as defined in Step 2.</p>
Step 3	<b>end</b>	Return to privileged EXEC mode.
Step 4	<b>show access-lists</b>	Verify your entries.
Step 5	<b>copy running-config startup-config</b>	(Optional) Save your entries in the configuration file.

To delete an access list, use the **no access-list** *access-list-number* global configuration command.

This example shows how to create an ACL that permits IP traffic from any source to any destination that has the DSCP value set to 32:

```
Switch(config)# access-list 100 permit ip any any dscp 32
```

This example shows how to create an ACL that permits IP traffic from a source host at 10.1.1.1 to a destination host at 10.1.1.2 with a precedence value of 5:

```
Switch(config)# access-list 100 permit ip host 10.1.1.1 host 10.1.1.2 precedence 5
```

## Creating Layer 2 MAC ACLs

Beginning in privileged EXEC mode, follow these steps to create a Layer 2 MAC ACL for non-IP traffic:

	Command	Purpose
Step 1	<b>configure terminal</b>	Enter global configuration mode.
Step 2	<b>mac access-list extended</b> <i>name</i>	Create a Layer 2 MAC ACL by specifying the name of the list and enter extended MAC ACL configuration mode.
Step 3	<b>permit</b> { <i>host src-MAC-addr mask</i>   <b>any</b>   <b>host</b> <i>dst-MAC-addr</i>   <i>dst-MAC-addr mask</i> } [ <i>type mask</i> ]	<p>Always use the <b>permit</b> keyword for ACLs used as match criteria in QoS policies.</p> <ul style="list-style-type: none"> <li>For <i>src-MAC-addr</i>, enter the MAC address of the host from which the packet is being sent. You can specify in hexadecimal format (H.H.H), use the <b>any</b> keyword for <i>source</i> 0.0.0, <i>source-wildcard</i> ffff.ffff.ffff, or use the <b>host</b> keyword for <i>source</i> 0.0.0.</li> <li>For <i>mask</i>, enter the wildcard bits by placing ones in the bit positions that you want to ignore.</li> <li>For <i>dst-MAC-addr</i>, enter the MAC address of the host to which the packet is being sent. You can specify in hexadecimal format (H.H.H), use the <b>any</b> keyword for <i>source</i> 0.0.0, <i>source-wildcard</i> ffff.ffff.ffff, or use the <b>host</b> keyword for <i>source</i> 0.0.0.</li> <li>(Optional) For <i>type mask</i>, specify the Ethertype number of a packet with Ethernet II or SNAP encapsulation to identify the protocol of the packet. For <i>type</i>, the range is from 0 to 65535, typically specified in hexadecimal. For <i>mask</i>, enter the <i>don't care</i> bits applied to the Ethertype before testing for a match.</li> </ul>
Step 4	<b>end</b>	Return to privileged EXEC mode.
Step 5	<b>show access-lists</b> [ <i>access-list-number</i>   <i>access-list-name</i> ]	Verify your entries.
Step 6	<b>copy running-config startup-config</b>	(Optional) Save your entries in the configuration file.

To delete an access list, use the **no mac access-list extended** *access-list-name* global configuration command.

This example shows how to create a Layer 2 MAC ACL with two **permit** statements. The first statement allows traffic from the host with MAC address 0001.0000.0001 to the host with MAC address 0002.0000.0001. The second statement allows only Ethertype XNS-IDP traffic from the host with MAC address 0001.0000.0002 to the host with MAC address 0002.0000.0002.

```
Switch(config)# mac access-list extended maclist1
Switch(config-ext-macl)# permit 0001.0000.0001 0.0.0 0002.0000.0001 0.0.0
Switch(config-ext-macl)# permit 0001.0000.0002 0.0.0 0002.0000.0002 0.0.0 xns-idp
Switch(config-ext-macl)# exit
```

## Using Class Maps to Define a Traffic Class

You use the **class-map** global configuration command to name and to isolate a specific traffic flow (or class) from all other traffic. A class map defines the criteria to use to match against a specific traffic flow to further classify it. Match statements can include criteria such as an ACL, CoS value, DSCP value, IP precedence values, or QoS group values, or VLAN IDs. You define match criterion with one or more **match** statements entered in the class-map configuration mode.

Follow these guidelines when configuring class maps:

- A **match-all** class map cannot have more than one classification criterion (one match statement), but a **match-any** class map can contain multiple match statements.
- The **match cos** and **match vlan** commands are supported only on Layer 2 802.1Q trunk ports.
- You use a class map with the **match vlan** command in the parent policy in input hierarchical policy maps for per-port, per-VLAN QoS on trunk ports. A policy is considered a parent policy map when it has one or more of its classes associated with a child policy map. Each class within a parent policy map is called a parent class. You can configure only the **match vlan** command in parent classes. You cannot configure the **match vlan** command in classes within the child policy map.
- For an input policy map, you cannot configure an IP classification (**match ip dscp**, **match ip precedence**, **match ip acl**) and a non-IP classification (**match cos** or **match mac acl**) in the same policy map or class map. For a per-port, per-VLAN hierarchical policy map, this applies to the child policy map.
- You can use the **match dot1ad dei command** only on ports where 802.1ad is enabled.
- You cannot configure **match qos-group** for an input policy map.
- In an output policy map, no two class maps can have the same classification criteria; that is, the same match qualifiers and values.
- The maximum number of class maps on the switch is 1024.

Beginning in privileged EXEC mode, follow these steps to create a class map and to define the match criterion to classify traffic:

	Command	Purpose
Step 1	<b>configure terminal</b>	Enter global configuration mode.
Step 2	<b>class-map [match-all   match-any]</b> <i>class-map-name</i>	<p>Create a class map, and enter class-map configuration mode. By default, no class maps are defined.</p> <ul style="list-style-type: none"> <li>• (Optional) Use the <b>match-all</b> keyword to perform a logical-AND of all matching statements under this class map. All match criteria in the class map must be matched.</li> <li>• (Optional) Use the <b>match-any</b> keyword to perform a logical-OR of all matching statements under this class map. One or more match criteria must be matched.</li> <li>• For <i>class-map-name</i>, specify the name of the class map.</li> </ul> <p>If no matching statements are specified, the default is <b>match-all</b>.</p> <p><b>Note</b> A <b>match-all</b> class map cannot have more than one classification criterion (match statement).</p>

	Command	Purpose
Step 3	<b>match</b> { <b>access-group</b> <i>acl-index-or-name</i>   <b>cos</b> <i>cos-list</i>   <b>dot1ad dei</b> <i>value</i>   <b>ip dscp</b> <i>dscp-list</i>   <b>ip precedence</b> <i>ip-precedence-list</i>   <b>qos-group</b> <i>value</i>   <b>vlan</b> <i>vlan-list</i> }	<p>Define the match criterion to classify traffic. By default, no match criterion is defined.</p> <p>Only one match type per class map is supported, and only one ACL per class map is supported.</p> <ul style="list-style-type: none"> <li>For <b>access-group</b> <i>acl-index-or-name</i>, specify the number or name of an ACL. Matching access groups is supported only in input policy maps.</li> <li>For <b>cos</b> <i>cos-list</i>, enter a list of up to four CoS values in a single line to match against incoming packets. Separate each value with a space. You can enter multiple <i>cos-list</i> lines to match more than four CoS values. The range is 0 to 7.</li> <li>For <b>dot1ad dei</b> <i>value</i>, match based on the packet the DEI bit of the 802.1ad frame. The range is 0 to 1.</li> <li>For <b>ip dscp</b> <i>dscp-list</i>, enter a list of up to eight IPv4 DSCP values to match against incoming packets. Separate each value with a space. You can enter multiple <i>dscp-list</i> lines to match more than eight DSCP values. The numerical range is 0 to 63. You can also configure DSCP values in other forms. See the “<a href="#">Classification Based on IP DSCP</a>” section on page 34-9.</li> <li>For <b>ip precedence</b> <i>ip-precedence-list</i>, enter a list of up to four IPv4 precedence values to match against incoming packets. Separate each value with a space. You can enter multiple <i>ip-precedence-list</i> lines to match more than four precedence values. The range is 0 to 7.</li> <li>For <b>vlan</b> <i>vlan-list</i>, specify a VLAN ID or a range of VLANs to be used in a parent policy map for per-port, per-VLAN QoS on a trunk port. The VLAN ID range is 1 to 4094.</li> <li>For <b>qos-group</b> <i>value</i>, specify the QoS group number. The range is 0 to 99. Matching of QoS groups is supported only in output policy maps.</li> </ul>
Step 4	<b>end</b>	Return to privileged EXEC mode.
Step 5	<b>show class-map</b>	Verify your entries.
Step 6	<b>copy running-config startup-config</b>	(Optional) Save your entries in the configuration file.

Use the **no** form of the appropriate command to delete an existing class map or remove a match criterion.

This example shows how to create access list 103 and configure the class map called *class1*. The *class1* has one match criterion, which is access list 103. It permits traffic from any host to any destination that matches a DSCP value of 10.

```
Switch(config)# access-list 103 permit any any dscp 10
Switch(config)# class-map class1
Switch(config-cmap)# match access-group 103
Switch(config-cmap)# exit
```

This example shows how to create a class map called *class2*, which matches incoming traffic with DSCP values of 10, 11, and 12.

```
Switch(config)# class-map match-any class2
Switch(config-cmap)# match ip dscp 10 11 12
Switch(config-cmap)# exit
```

This example shows how to create a class map called *class3*, which matches incoming traffic with IP-precedence values of 5, 6, and 7:

```
Switch(config)# class-map match-any class3
Switch(config-cmap)# match ip precedence 5 6 7
Switch(config-cmap)# exit
```

This example shows how to create a parent class-map called *parent-class*, which matches incoming traffic with VLAN IDs in the range from 30 to 40.

```
Switch(config)# class-map match-any parent-class
Switch(config-cmap)# match vlan 30-40
Switch(config-cmap)# exit
```

## Configuring Table Maps

You can configure table maps to manage a large number of traffic flows with a single command. You use table maps to correlate specific DSCP, IP precedence and CoS values to each other, to mark down a DSCP, IP precedence, or CoS value, or to assign default values. You can specify table maps in **set** commands and use them as mark-down mapping for the policers.

These table maps are supported on the switch:

- DSCP to CoS, precedence, or DSCP
- CoS to DSCP, precedence, or CoS
- Precedence to CoS, DSCP, or precedence

Note these guidelines when configuring table maps:

- The switch supports a maximum of 256 unique table maps.
- The maximum number of map statements within a table map is 64.
- Table maps cannot be used in output policy maps.
- Table maps are not supported for **violate-action** for aggregate policing unless you configure a table map for **exceed-action** and no explicit action is configured for **violate-action**.

Beginning in privileged EXEC mode, follow these steps to create a table map:

	Command	Purpose
Step 1	<b>configure terminal</b>	Enter global configuration mode.
Step 2	<b>table-map</b> <i>table-map-name</i>	Create a table map by entering a table-map name and entering table-map configuration mode.
Step 3	<b>map from</b> <i>from-value</i> <b>to</b> <i>to-value</i>	Enter the mapping values to be included in the table. For example, if the table map is a DSCP-to-CoS table map, the <i>from-value</i> would be the DSCP value and the <i>to_value</i> would be the CoS value. Both ranges are from 0 to 63.  Enter this command multiple times to include all the values that you want to map.

	Command	Purpose
Step 4	<b>default</b> { <i>default-value</i>   <b>copy</b>   <b>ignore</b> }	Set the default behavior for a value not found in the table map. <ul style="list-style-type: none"> <li>Enter a <i>default-value</i> to specify a certain value. For example, in a DSCP-to-CoS table map, this would be a specific CoS value to apply to all unmapped DSCP values. The range is from 0 to 63.</li> <li>Enter <b>copy</b> to map unmapped values to an equivalent value. In a DSCP-to-CoS table map, this command maps all unmapped DSCP values to the equivalent CoS value.</li> <li>Enter <b>ignore</b> to leave unmapped values unchanged. In a DSCP-to-CoS table map, the switch does not change the CoS value of unmapped DSCP values.</li> </ul>
Step 5	<b>end</b>	Return to privileged EXEC mode.
Step 6	<b>show table-map</b> [ <i>table-map-name</i> ]	Verify your entries.
Step 7	<b>copy running-config startup-config</b>	(Optional) Save your entries in the configuration file.

To delete a table map, use the **no table-map** *table-map-name* global configuration command.

This example shows how to create a DSCP-to-CoS table map. A complete table would typically include additional map statements for the higher DSCP values. The default of 4 in this table means that unmapped DSCP values will be assigned a CoS value of 4.

```
Switch(config)# table-map dscp-to-cos
Switch(config-tablemap)# map from 1 to 1
Switch(config-tablemap)# map from 2 to 1
Switch(config-tablemap)# map from 3 to 1
Switch(config-tablemap)# map from 4 to 2
Switch(config-tablemap)# map from 5 to 2
Switch(config-tablemap)# map from 6 to 3
Switch(config-tablemap)# default 4
Switch(config-tablemap)# end
Switch# show table-map dscp-to-cos
```

## Attaching a Traffic Policy to an Interface

You use the **service-policy** interface configuration command to attach a traffic policy to an interface and to specify the direction in which the policy should be applied: either an input policy map for incoming traffic or an output policy map for outgoing traffic. Input and output policy maps support different QoS features. See the [“Configuring Input Policy Maps” section on page 34-45](#) and the [“Configuring Output Policy Maps” section on page 34-65](#) for restrictions on input and output policy maps.

You can attach a service policy only to a physical port. You can attach only one input policy map and one output policy map per port.



### Note

If you enter the **no policy-map** configuration command or the **no policy-map** *policy-map-name* global configuration command to delete a policy map that is attached to an interface, a warning message appears that lists any interfaces from which the policy map is being detached. The policy map is then detached and deleted. For example:

```
Warning: Detaching Policy test1 from Interface GigabitEthernet0/1
```



Beginning in privileged EXEC mode, follow these steps to attach a policy map to a port:

	Command	Purpose
Step 1	<b>configure terminal</b>	Enter global configuration mode.
Step 2	<b>interface</b> <i>interface-id</i>	Specify the port to attach to the policy map, and enter interface configuration mode. Valid interfaces are physical ports.
Step 3	<b>service-policy</b> { <b>input</b>   <b>output</b> } <i>policy-map-name</i>	Specify the policy-map name and whether it is an input policy map or an output policy map.
Step 4	<b>end</b>	Return to privileged EXEC mode.
Step 5	<b>show policy-map interface</b> [ <i>interface-id</i> ]	Verify your entries.
Step 6	<b>copy running-config startup-config</b>	(Optional) Save your entries in the configuration file.

To remove the policy map and port association, use the **no service-policy** {**input** | **output**} *policy-map-name* interface configuration command.

## Configuring Input Policy Maps

Policy maps specify which traffic class to act on and what actions to take. All traffic that fails to meet matching criteria of a traffic class belongs to the default class. Input policy maps regulate traffic entering the switch. In an input policy, you can match CoS, DSCP, IP precedence, ACLs, or VLAN IDs and configure individual policing, aggregate policing, or marking to a CoS, DSCP, IP precedence, or QoS group value.

Follow these guidelines when configuring input policy maps:

- You can attach only one input policy map per port.
- The maximum number of policy maps configured on the switch is 256.
- The total number of configurable policer profiles on the ME-3400 is 254; the total number of supported policer instances on the ME-3400E is 1024 minus one more than the total number of interfaces on the switch. On a 24-port switch, the number of available policer instances is 999. You can use a policer profile in multiple instances.
- The maximum number of classes in each input policy map is 64 plus **class-default**.
- The number of input policy maps that can be attached in a switch is limited by the availability of hardware resources. If you attempt to attach an input policy map that causes any hardware resource limitation to be exceeded, the configuration fails.
- After you have attached a single-level policy map to an interface by using the **service-policy input** interface configuration command, you can modify the policy without detaching it from the interface. You can add or delete classification criteria, add or delete classes, add or delete actions, or change the parameters of the configured actions (policers, rates, mapping, marking, and so on). This also applies to changing criteria for the child policy of a hierarchical policy map, as in a per-port per-VLAN hierarchical policy map.

For the parent policy of a hierarchical policy map, you cannot add or delete a class at the parent level if the policy map is attached to an interface. You must detach the policy from the interface, modify the policy, and then re-attach it to the interface.

- You can configure a maximum 2-level hierarchical policy map as an input policy map only with VLAN-based classification at the parent level and no VLAN-based classification at the child level.

- When an input policy map with only Layer 2 classification is attached to a routed port or a switch port containing a routed SVI, the service policy acts only on switching eligible traffic and not on routing eligible traffic.
- On an 802.1Q tunnel port, you can use only an input policy map with Layer 2 classification based on MAC ACLs to classify traffic. Input policy maps with Layer 3 classification or with Layer 2 classification based on CoS or VLAN ID are not supported on tunnel ports.
- Input policy maps support policing and marking, not scheduling or queuing. You cannot configure **bandwidth**, **priority**, **queue-limit**, or **shape average** in input policy maps.

These sections describe how to configure different types of input policy maps:

- [Configuring Input Policy Maps with Individual Policing, page 34-46](#)
- [Configuring Input Policy Maps with Aggregate Policing, page 34-54](#)
- [Configuring Input Policy Maps with Marking, page 34-58](#)
- [Configuring Per-Port Per-VLAN QoS with Hierarchical Input Policy Maps, page 34-60](#)

## Configuring Input Policy Maps with Individual Policing

You use the **police** policy-map class configuration command to configure individual policers to define the committed rate limitations, committed burst size limitations of the traffic, and the action to take for a class of traffic.

Follow these guidelines when configuring individual policers:

- Policing is supported only on input policy maps.
- The switch supports a maximum of 229 policers. (228 user-configurable policers and 1 policer reserved for internal use).
- When CPU protection is enabled (the default), you can configure 45 ingress policers per port. If you disable CPU protection by entering the **no policer cpu uni all** global configuration command and reloading the switch, you can configure a maximum of 63 policers per port (62 on every 4th port) for user-defined classes and one for class-default. You can enter the **show policer cpu uni-eni {drop | rate}** privileged EXEC command to see if CPU protection is enabled.
- When you use a table map for police exceed-action in an input policy map, the protocol type of the *map from* type of action must be the same as the protocol type of the associated classification. For example, if the associated class map represents an IP classification, the **map from** type of action that references the table map must be **dscp** or **precedence**. If the associated class map represents a non-IP classification, the **map from** type of action that references the table map must be **cos**.
- 2-rate, 3-color policing is supported only on input policy maps; 1-rate, 2-color policing is supported on both input and output policy maps.
- The number of policer instances on the switch can be 1024 minus 1 more than the number interfaces. The switch supports a maximum of 254 policer profiles.
- If you do not configure a violate-action, by default the violate class is assigned the same action as the exceed-action.

Beginning in privileged EXEC mode, follow these steps to create an input policy map with individual policing:

	Command	Purpose
Step 1	<b>configure terminal</b>	Enter global configuration mode.
Step 2	<b>policy-map</b> <i>policy-map-name</i>	Create a policy map by entering the policy map name, and enter policy-map configuration mode. By default, no class maps are defined.
Step 3	<b>class</b> { <i>class-map-name</i>   <b>class-default</b> }	Enter a class-map name or <b>class-default</b> to match all unclassified packets, and enter policy-map class configuration mode.  If you enter a class-map name, you must have already created the class map by using the <b>class-map</b> global configuration command.
Step 4	<b>police</b> [ <i>rate-bps</i> / <b>cir</b> <i>cir-bps</i> ] [ <i>burst-bytes</i> / <b>bc</b> <i>burst-bytes</i> ]	Define a policer for the class of traffic.  By default, no policer is defined. <ul style="list-style-type: none"> <li>• For <i>rate-bps</i>, specify average traffic rate in bits per second (bps). The range is 8000 to 1000000000.</li> <li>• For <b>cir</b> <i>cir-bps</i>, specify a committed information rate (CIR) in bits per second (bps). The range is 8000 to 1000000000.</li> <li>• For <i>burst-bytes</i> (optional), specify the normal burst size in bytes. The range is 8000 to 1000000.</li> <li>• For <b>bc</b> <i>burst-bytes</i> (optional), specify the conformed burst (bc) or the number of acceptable burst bytes. The range is 8000 to 1000000.</li> </ul>

Command	Purpose
<p>Step 5 <b>conform-action</b> <b>cos</b> { <i>cos_value</i>   <b>cos</b> [<b>table</b> <i>table-map-name</i>]   <b>dscp</b> [<b>table</b> <i>table-map-name</i>]   <b>precedence</b> [<b>table</b> <i>table-map-name</i>]}  or  <b>conform-action</b> [<b>ip</b>] <b>dscp</b> { <i>dscp_value</i>   <b>cos</b> [<b>table</b> <i>table-map-name</i>]   <b>dscp</b> [<b>table</b> <i>table-map-name</i>]   <b>precedence</b> [<b>table</b> <i>table-map-name</i>]}  or  <b>conform-action</b> [<b>ip</b>] <b>precedence</b> { <i>precedence_value</i>   <b>cos</b> [<b>table</b> <i>table-map-name</i>]   <b>dscp</b> [<b>table</b> <i>table-map-name</i>]   <b>precedence</b> [<b>table</b> <i>table-map-name</i>]}  or  <b>conform-action</b> <b>qos-group</b> <i>value</i>  or  <b>transmit</b></p>	<p>(Optional) Enter the action to be taken on packets that conform to the CIR.</p> <ul style="list-style-type: none"> <li>For <b>cos</b> <i>cos_value</i>, enter a new CoS value to be assigned to the classified traffic. The range is 0 to 7.</li> <li>For [<b>ip</b>] <b>dscp</b> <i>dscp_value</i>, enter a new DSCP value to be assigned to the classified traffic. The range is 0 to 63.</li> <li>For <b>dot1ad dei</b>, match based on the packet the DEI bit of the 802.1ad frame. The range is 0 to 1.</li> <li>For [<b>ip</b>] <b>precedence</b> <i>precedence_value</i>, enter a new IP-precedence value to be assigned to the classified traffic. The range is 0 to 7.</li> <li>Or you can configure a CoS, DSCP, or IP precedence table and optionally enter the table name. If you do not enter <b>table</b> <i>table-map name</i>, the table map default behavior is <b>copy</b>. See the <a href="#">“Configuring Table Maps” section on page 34-43</a>.</li> <li>For <b>qos-group</b> <i>value</i>, identify a QoS group to be used at egress to identify specific packets. The range is from 0 to 99.</li> </ul> <p><b>Note</b> You can enter a single conform-action as part of the command string following the police command. You can also press Enter after the <b>police</b> command to enter policy-map class police configuration mode, where you can enter multiple actions. In policy-map class police configuration mode, you must enter an action to take.</p>

	Command	Purpose
Step 6	<p><b>exceed-action cos</b> {<i>cos_value</i> / <b>cos</b> [<b>table</b> <i>table-map-name</i>]   <b>dscp</b> [<b>table</b> <i>table-map-name</i>]   <b>precedence</b> [<b>table</b> <i>table-map-name</i>]}</p> <p>or</p> <p><b>exceed-action [ip] dscp</b> {<i>dscp_value</i>   <b>cos</b> [<b>table</b> <i>table-map-name</i>]   <b>dscp</b> [<b>table</b> <i>table-map-name</i>]   <b>precedence</b> [<b>table</b> <i>table-map-name</i>]}</p> <p>or</p> <p><b>exceed-action [ip] precedence</b> {<i>precedence_value</i>   <b>cos</b> [<b>table</b> <i>table-map-name</i>]   <b>dscp</b> [<b>table</b> <i>table-map-name</i>]   <b>precedence</b> [<b>table</b> <i>table-map-name</i>]}</p> <p>or</p> <p><b>exceed-action qos-group</b> <i>value</i></p>	<p>(Optional) Enter the action to be taken for packets that do not conform to the CIR.</p> <ul style="list-style-type: none"> <li>For <b>cos</b> <i>cos_value</i>, enter a new CoS value to be assigned to the classified traffic. The range is 0 to 7.</li> <li>For <b>[ip] dscp</b> <i>dscp_value</i>, enter a new DSCP value to be assigned to the classified traffic. The range is 0 to 63.</li> <li>For <b>[ip] precedence</b> <i>precedence_value</i>, enter a new IP-precedence value to be assigned to the classified traffic. The range is 0 to 7.</li> <li>Or you can configure a CoS, DSCP, or IP precedence table and optionally enter the table name. If you do not enter <b>table</b> <i>table-map name</i>, the table map default behavior is <b>copy</b>. See the “Configuring Table Maps” section on page 34-43.</li> <li>For <b>qos-group</b> <i>value</i>, identify a QoS group to be used at egress to identify specific packets. The range is from 0 to 99.</li> </ul> <p><b>Note</b> You can enter a single exceed-action as part of the command string following the <b>police</b> command. Or you can press Enter after the <b>police</b> command to enter policy-map class police configuration mode, where you can enter multiple actions. In policy-map class police configuration mode, you must enter an action to take.</p> <p><b>Note</b> If you explicitly configure <b>exceed-action drop</b> as keywords in the command, you must enter policy-map class police configuration mode and enter the <b>no exceed-action drop</b> command to remove the previously configured exceed action before you can enter the new exceed-action.</p>
Step 7	<b>exit</b>	Return to policy-map configuration mode.
Step 8	<b>exit</b>	Return to global configuration mode.
Step 9	<b>interface</b> <i>interface-id</i>	Enter interface configuration mode for the interface to which you want to attach the policy.
Step 10	<b>service-policy input</b> <i>policy-map-name</i>	Attach the policy map (created in Step 2) to the ingress interface.
Step 11	<b>end</b>	Return to privileged EXEC mode.
Step 12	<b>show policy-map</b> [ <i>policy-map-name</i> [ <b>class</b> <i>class-map-name</i> ]]	Verify your entries.
Step 13	<b>copy running-config startup-config</b>	(Optional) Save your entries in the configuration file.

If you enter the **no** policy-map configuration command or the **no policy-map** *policy-map-name* global configuration command to delete a policy map that is attached to an interface, a warning message appears that lists any interfaces from which the policy map is being detached. The policy map is then detached and deleted. For example:

```
Warning: Detaching Policy test1 from Interface GigabitEthernet0/1
```

Beginning in privileged EXEC mode, follow these steps to create an input policy map with individual 2-rate, 3-color policing:

	Command	Purpose
Step 1	<b>configure terminal</b>	Enter global configuration mode.
Step 2	<b>policy-map</b> <i>policy-map-name</i>	Create a policy map by entering the policy map name, and enter policy-map configuration mode. By default, no class maps are defined.
Step 3	<b>class</b> { <i>class-map-name</i>   <b>class-default</b> }	Enter a class-map name or <b>class-default</b> to match all unclassified packets, and enter policy-map class configuration mode.  If you enter a class-map name, you must have already created the class map by using the <b>class-map</b> global configuration command.
Step 4	<b>police</b> { <i>rate-bps</i>   <b>cir</b> { <i>cir-bps</i> } [ <i>burst-bytes</i> ] [ <b>bc</b> [ <i>conform-burst</i> ] [ <b>pir</b> <i>pir-bps</i> [ <b>be</b> <i>peak-burst</i> ]]]	Define a policer using one or two rates—committed information rate (CIR) and peak information rate (PIR) for the class of traffic.  By default, no policer is defined. <ul style="list-style-type: none"> <li>For <i>rate-bps</i>, specify average traffic rate in bits per second (bps). The range is 8000 to 1000000000.</li> <li>For <b>cir</b> <i>cir-bps</i>, specify a committed information rate at which the bc token bucket is updated in bits per second (b/s). The range is 8000 to 1000000000.</li> <li>For <i>burst-bytes</i> (optional), specify the normal burst size in bytes. The range is 8000 to 1000000.</li> <li>(Optional) For <b>bc</b> <i>conform-burst</i>, specify the conformed burst used by the bc token bucket for policing. The range is 8000 to 1000000 bytes.</li> <li>(Optional) For <b>pir</b> <i>pir-bps</i>, specify the peak information rate at which the be token bucket for policing is updated. The range is 8000 to 1000000000 b/s. If you do not enter a <b>pir</b> <i>pir-bps</i>, the policer is configured as a 1-rate, 2-color policer.</li> <li>For <b>be</b> <i>peak-burst</i>, specify the peak burst size used by the be token bucket. The range is 8000 to 1000000 bytes. The default is internally calculated based on the user configuration.</li> </ul>

Command	Purpose
<p>Step 5 <b>conform-action</b> [<b>drop</b>   <b>set-cos-transmit</b> {<i>cos_value</i>   [<b>cos</b>   <b>dscp</b>   <b>precedence</b>] [<b>table table-map name</b>]}]   <b>set-dot1ad-dei-transmit</b> {<i>dei-value</i>   [<b>cos</b>   <b>dscp</b>   <b>precedence</b>] [<b>table table-map name</b>]}]   <b>set-dscp-transmit</b> {<i>dscp_value</i>   [<b>cos</b>   <b>dscp</b>   <b>precedence</b>] [<b>table table-map name</b>]}]   <b>set-prec-transmit</b> {<i>precedence_value</i>   [<b>cos</b>   <b>dscp</b>   <b>precedence</b>] [<b>table table-map name</b>]}]   <b>set-qos-transmit</b> <i>qos-group_value</i>   <b>transmit</b>]</p> <p>  <b>exceed-action</b> [<b>drop</b>   <b>set-cos-transmit</b> {<i>cos_value</i>   [<b>cos</b>   <b>dscp</b>   <b>precedence</b>] [<b>table table-map name</b>]}]   <b>set-dot1ad-dei-transmit</b> {<i>dei-value</i>   [<b>cos</b>   <b>dscp</b>   <b>precedence</b>] [<b>table table-map name</b>]}]   <b>set-dscp-transmit</b> {<i>dscp_value</i>   [<b>cos</b>   <b>dscp</b>   <b>precedence</b>] [<b>table table-map name</b>]}]   <b>set-prec-transmit</b> {<i>precedence_value</i>   [<b>cos</b>   <b>dscp</b>   <b>precedence</b>] [<b>table table-map name</b>]}]   <b>set-qos-transmit</b> <i>qos-group_value</i>   <b>transmit</b>]</p> <p>  <b>violate- action</b> [<b>drop</b>   <b>set-cos-transmit</b> {<i>cos_value</i>   [<b>cos</b>   <b>dscp</b>   <b>precedence</b>] [<b>table table-map name</b>]}]   <b>set-dot1ad-dei-transmit</b> {<i>dei-value</i>   [<b>cos</b>   <b>dscp</b>   <b>precedence</b>] [<b>table table-map name</b>]}]   <b>set-dscp-transmit</b> {<i>dscp_value</i>   [<b>cos</b>   <b>dscp</b>   <b>precedence</b>] [<b>table table-map name</b>]}]   <b>set-prec-transmit</b> {<i>precedence_value</i>   [<b>cos</b>   <b>dscp</b>   <b>precedence</b>] [<b>table table-map name</b>]}]   <b>set-qos-transmit</b> <i>qos-group_value</i>   <b>transmit</b>]</p>	<p>(Optional) Enter the action to be taken on packets, depending on whether or not they conform to the CIR and PIR.</p> <ul style="list-style-type: none"> <li>• (Optional) For <b>conform-action</b>, specify the action to perform on packets that conform to the CIR and PIR. The default is <b>transmit</b>.</li> <li>• (Optional) For <b>exceed-action</b>, specify the action to perform on packets that conform to the PIR but not the CIR. The default is <b>drop</b>.</li> <li>• (Optional) For <b>violate-action</b>, specify the action to perform on packets that exceed the PIR. The default is <b>drop</b>.</li> <li>• (Optional) For <i>action</i>, specify one of these actions to perform on the packets: <ul style="list-style-type: none"> <li>– <b>drop</b>—Drop the packet.</li> </ul> </li> </ul> <p>Note If the conform action is set to <b>drop</b>, the exceed and violate actions are automatically set to <b>drop</b>. If the exceed action is set to <b>drop</b>, the violate action is automatically set to <b>drop</b>.</p> <ul style="list-style-type: none"> <li>– <b>set-cos-transmit</b> <i>cos_value</i>—Enter a new CoS value to be assigned to the packet, and send the packet. The range is from 0 to 7.</li> <li>– <b>set-dot1ad-dei-transmit</b> {<i>dei-value</i>—Enter a new DEI bit value to be assigned to the packet, and send the packet. The range is from 0 to 1. The DEI value is only valid on 802.1ad ports.</li> <li>– <b>set-dscp-transmit</b> <i>dscp_value</i>—Enter a new IP DSCP value to be assigned to the packet, and send the packet. The range is from 0 to 63. You can also enter a mnemonic name for a commonly used value.</li> <li>– <b>set-prec-transmit</b> <i>cos_value</i>—Enter a new IP precedence value to be assigned to the packet, and send the packet. The range is from 0 to 7.</li> <li>– <b>set-qos-transmit</b> <i>qos-group_value</i>—Identify a qos-group to be used at egress to specify packets. The range is from 0 to 99.</li> <li>– <b>transmit</b>—Send the packet without altering it.</li> </ul> <p>Note You can enter a single conform-action as part of the command string following the police command. You can also press Enter after the <b>police</b> command to enter policy-map class police configuration mode, where you can enter multiple actions. In policy-map class police configuration mode, you must enter an action to take.</p>
Step 6 <b>exit</b>	Return to policy-map configuration mode.
Step 7 <b>exit</b>	Return to global configuration mode.
Step 8 <b>interface</b> <i>interface-id</i>	Enter interface configuration mode for the interface to which you want to attach the policy.

	Command	Purpose
Step 9	<b>service-policy input</b> <i>policy-map-name</i>	Attach the policy map (created in Step 2) to the ingress interface.
Step 10	<b>end</b>	Return to privileged EXEC mode.
Step 11	<b>show policy-map</b> [ <i>policy-map-name</i> / <b>interface</b> ]	Verify your entries.
Step 12	<b>copy running-config startup-config</b>	(Optional) Save your entries in the configuration file.

After you have created an input policy map, you attach it to an interface in the input direction. See the [“Attaching a Traffic Policy to an Interface”](#) section on page 34-44.

Use the **no** form of the appropriate command to delete an existing policy map, class map, or policer.

This example shows how to configure 2-rate, 3-color policing using policy-map configuration mode.

```
Switch(config)# class-map cos-4
Switch(config-cmap)# match cos 4
Switch(config-cmap)# exit
Switch(config)# policy-map in-policy
Switch(config-pmap)# class cos-4
Switch(config-pmap-c)# police cir 5000000 pir 8000000 conform-action transmit
exceed-action set-dscp-transmit 24 violate-action drop
Switch(config-pmap-c)# exit
Switch(config-pmap)# exit
Switch(config)# interface fastethernet0/1
Switch(config-if)# service-policy input in-policy
Switch(config-if)# exit
```

This example shows how to create the same configuration using policy-map class police configuration mode.

```
Switch(config)# class-map cos-4
Switch(config-cmap)# match cos 4
Switch(config-cmap)# exit
Switch(config)# policy-map in-policy
Switch(config-pmap)# class cos-4
Switch(config-pmap-c)# police cir 5000000 pir 8000000
Switch(config-pmap-c-police)# conform-action transmit
Switch(config-pmap-c-police)# exceed-action set-dscp-transmit 24
Switch(config-pmap-c-police)# violate-action drop
Switch(config-pmap-c-police)# end
```

This example shows how to create a traffic classification with a CoS value of 4, create a policy map, and attach it to an ingress port. The average traffic rate is limited to 10000000 b/s with a burst size of 10000 bytes:

```
Switch(config)# class-map video-class
Switch(config-cmap)# match cos 4
Switch(config-cmap)# exit
Switch(config)# policy-map video-policy
Switch(config-pmap)# class video-class
Switch(config-pmap-c)# police 10000000 10000
Switch(config-pmap-c)# exit
Switch(config-pmap)# exit
Switch(config)# interface fastethernet0/1
Switch(config-if)# service-policy input video-policy
Switch(config-if)# exit
```



This example shows how to create policy map with a conform action of **set dscp** and a default exceed action.

```
Switch(config)# class-map in-class-1
Switch(config-cmap)# match dscp 14
Switch(config-cmap)# exit
Switch(config)# policy-map in-policy
Switch(config-pmap)# class in-class-1
Switch(config-pmap-c)# police 230000 8000 conform-action set-dscp-transmit 33
exceed-action drop
Switch(config-pmap-c)# exit
Switch(config-pmap)# exit
Switch(config)# interface fastethernet0/1
Switch(config-if)# service-policy input in-policy
Switch(config-if)# exit
```

This example shows how to use policy-map class police configuration mode to set multiple conform actions and an exceed action. The policy map sets a committed information rate of 23000 bits per second (bps) and a conform burst size of 10000 bytes. The policy map includes multiple conform actions (for DSCP and for Layer 2 CoS) and an exceed action.

```
Switch(config)# class-map cos-set-1
Switch(config-cmap)# match cos 3
Switch(config-cmap)# exit
Switch(config)# policy-map map1
Switch(config-pmap)# class cos-set-1
Switch(config-pmap-c)# police cir 23000 bc 10000
Switch(config-pmap-c-police)# conform-action set-dscp-transmit 48
Switch(config-pmap-c-police)# conform-action set-cos-transmit 5
Switch(config-pmap-c-police)# exceed-action drop
Switch(config-pmap-c-police)# exit
Switch(config-pmap-c)# exit
Switch(config-pmap)# exit
Switch(config)# interface fastethernet0/1
Switch(config-if)# service-policy input map1
Switch(config-if)# exit
```

This example shows how to use policy-map class police configuration mode to set exceed action mark-down using table-maps. The policy map sets a committed information rate of 23000 bps and a conform burst-size of 10000 bytes. The policy map includes the default conform action (**transmit**) and the exceed action to mark the Layer 2 CoS value based on the table map and to mark IP DSCP to af41.

```
Switch(config)# policy-map in-policy
Switch(config-pmap)# class in-class-1
Switch(config-pmap-c)# police cir 23000 bc 10000
Switch(config-pmap-c-police)# exceed-action set-cos-transmit cos table
police-cos-markdn-tablemap
Switch(config-pmap-c-police)# exceed-action set-dscp-transmit af41
Switch(config-pmap-c-police)# exit
Switch(config-pmap-c)# exit
Switch(config-pmap)# exit
Switch(config)# interface fastethernet0/1
Switch(config-if)# service-policy input in-policy
Switch(config-if)# exit
```

## Configuring Input Policy Maps with Aggregate Policing

You use the **policer aggregate** global configuration command to configure an aggregate policer. An aggregate policer is shared by multiple traffic classes within the same policy map. You define the aggregate policer, create a policy map, associate a class map with the policy map, associate the policy map with the aggregate policer, and apply the service policy to a port.

Follow these guidelines when configuring aggregate policers:

- Aggregate policing is supported only on input policy maps.
- The switch supports a maximum of 229 policers associated with ports (228 user-configurable policers and 1 policer reserved for internal use). You can configure up to 45 policers on a port.
- When CPU protection is enabled (the default), you can configure 45 ingress policers per port. If you disable CPU protection by entering the **no policer cpu uni all** global configuration command and reloading the switch, you can configure a maximum of 63 policers per port (62 on every 4th port) for user-defined classes and one for class-default. You can enter the **show policer cpu uni-eni {drop | rate}** privileged EXEC command to see if CPU protection is enabled.
- The maximum number of configured aggregate policers is 256.
- The number of policer instances on the switch can be 1024 minus 1 more than the total number interfaces on the switch. The switch supports a maximum of 254 policer profiles.
- If you do not configure a violate-action, by default the violate class is assigned the same action as the exceed-action.
- Only one policy map can use any specific aggregate policer. Aggregate policing cannot be used to aggregate streams across multiple interfaces. You can use aggregate policing only to aggregate streams across multiple classes in a policy map attached to an interface and to aggregate traffic streams across VLANs on a port in a per-port, per-VLAN policy map.
- When you use a table map for police exceed-action in an input policy map, the protocol type of the map from type of action must be the same as the protocol type of the associated classification. For example, if the associated class map represents an IP classification, the **map from** type of action that references the table map must be either **dscp** or **precedence**. If the associated class map represents a non-IP classification, the **map from** type of action that references the table map must be **cos**.
- Table maps are not supported for **violate-action** for aggregate policing unless a table map is configured for **exceed-action** and no explicit action is configured for violate-action.

You can configure multiple conform, exceed, and violate actions simultaneously for an aggregate policer as parameters in the **policer aggregate** global configuration command, but you must enter the actions in this order:

- **conform-action** must be followed by **drop** or **transmit** or by **set** actions in this order:  
**set-qos-transmit**  
**set-dscp-transmit** or **set-prec-transmit**  
**set-cos-transmit**
- **exceed-action** must be followed by **drop** or **transmit** or by **set** actions in this order:  
**set-qos-transmit**  
**set-dscp-transmit** or **set-prec-transmit**  
**set-cos-transmit**

- **violate-action** must be followed by **drop** or **transmit** or by **set** actions in this order:
  - set-qos-transmit**
  - set-dscp-transmit** or **set-prec-transmit**
  - set-cos-transmit**

The **set-dot1ad-dei-transmit** action is valid only on 802.1ad ports.

**Note**

---

You do not configure aggregate policer conform-action, exceed-action, and violate-action in policy-map class police configuration mode; you must enter all actions in a string. Consequently, if you enter multiple conform, exceed, and violate actions, the command can become quite long, in which case it might be truncated and difficult to read.

---

Beginning in privileged EXEC mode, follow these steps to create a 2-rate, 3-color aggregate policer:

	Command	Purpose
Step 1	<b>configure terminal</b>	Enter global configuration mode.
Step 2	<p><b>policer aggregate</b> <i>aggregate-policer-name</i> {<i>rate-bps</i>   <b>cir</b> <i>cir-bps</i>} [<i>burst-bytes</i>] [<b>bc</b> [<i>conform-burst</i>] [<b>pir</b> <i>pir-bps</i> [<b>be</b> <i>peak-burst</i>]]] [<b>conform-action</b> [<b>drop</b>   <b>set-cos-transmit</b> {<i>cos_value</i>   [<b>cos</b>   <b>dscp</b>   <b>precedence</b>] [<b>table</b> <i>table-map name</i>]}]   <b>set-dot1ad-dei-transmit</b> {<i>dei-value</i>   [<b>cos</b>   <b>dscp</b>   <b>precedence</b>] [<b>table</b> <i>table-map name</i>]}]   <b>set-dscp-transmit</b> {<i>dscp_value</i>   [<b>cos</b>   <b>dscp</b>   <b>precedence</b>] [<b>table</b> <i>table-map name</i>]}]   <b>set-prec-transmit</b> {<i>precedence_value</i>   [<b>cos</b>   <b>dscp</b>   <b>precedence</b>] [<b>table</b> <i>table-map name</i>]}]   <b>set-qos-transmit</b> <i>qos-group_value</i>   <b>transmit</b>]</p> <p>[<b>exceed-action</b> [<b>drop</b>   <b>set-cos-transmit</b> {<i>cos_value</i>   [<b>cos</b>   <b>dscp</b>   <b>precedence</b>] [<b>table</b> <i>table-map name</i>]}]   <b>set-dot1ad-dei-transmit</b> {<i>dei-value</i>   [<b>cos</b>   <b>dscp</b>   <b>precedence</b>] [<b>table</b> <i>table-map name</i>]}]   <b>set-dscp-transmit</b> {<i>dscp_value</i>   [<b>cos</b>   <b>dscp</b>   <b>precedence</b>] [<b>table</b> <i>table-map name</i>]}]   <b>set-prec-transmit</b> {<i>precedence_value</i>   [<b>cos</b>   <b>dscp</b>   <b>precedence</b>] [<b>table</b> <i>table-map name</i>]}]   <b>set-qos-transmit</b> <i>qos-group_value</i>   <b>transmit</b>]</p> <p>[<b>violate- action</b> [<b>drop</b>   <b>set-cos-transmit</b> {<i>cos_value</i>   [<b>cos</b>   <b>dscp</b>   <b>precedence</b>]}]   <b>set-dot1ad-dei-transmit</b> {<i>dei-value</i>   [<b>cos</b>   <b>dscp</b>   <b>precedence</b>] [<b>table</b> <i>table-map name</i>]}]   <b>set-dscp-transmit</b> {<i>dscp_value</i>   [<b>cos</b>   <b>dscp</b>   <b>precedence</b>]}]   <b>set-prec-transmit</b> {<i>precedence_value</i>   [<b>cos</b>   <b>dscp</b>   <b>precedence</b>]}]   <b>set-qos-transmit</b> <i>qos-group_value</i>   <b>transmit</b>]</p>	<p>Define the policer parameters that can be applied to multiple traffic classes within the same policy map.</p> <ul style="list-style-type: none"> <li>For <i>aggregate-policer-name</i>, specify the name of the aggregate policer.</li> <li>For <i>rate-bps</i>, specify average traffic rate in bits per second (b/s). The range is 8000 to 1000000000.</li> <li>For <b>cir</b> <i>cir-bps</i>, specify a committed information rate (CIR) at which the first token bucket is updated in bits per second (b/s). The range is 8000 to 1000000000.</li> <li>For <i>burst-bytes</i> (optional), specify the normal burst size in bytes. The range is 8000 to 1000000.</li> <li>(Optional) For <b>bc</b> <i>conform-burst</i>, specify the conformed burst used by the first token bucket for policing. The range is 8000 to 1000000 bytes.</li> <li>(Optional) For <b>pir</b> <i>pir-bps</i>, specify the peak information rate at which the second token bucket for policing is updated. The range is 8000 to 1000000000 bits per second. If you do not enter a <b>pir</b> <i>pir-bps</i>, the policer is configured as a 1-rate, 2-color policer.</li> <li>For <b>be</b> <i>peak-burst</i>, specify the peak burst size used by the second token bucket. The range is 8000 to 1000000 bytes. The default is internally calculated based on the user configuration.</li> <li>(Optional) For <b>conform-action</b>, specify the action to take on packets that conform to the CIR. The default is to send the packet.</li> </ul> <p><b>Note</b> If the conform action is set to <b>drop</b>, the exceed and violate actions are automatically set to <b>drop</b>. If the exceed action is set to <b>drop</b>, the violate action is automatically set to <b>drop</b>.</p> <ul style="list-style-type: none"> <li>(Optional) For <b>exceed-action</b>, specify the action to take on packets that exceed the CIR. The default is to drop the packet.</li> <li>(Optional) For <b>violate-action</b>, specify the action to take on packets that exceed the CIR. The default is to drop the packet.</li> </ul> <p>See the command reference for this release or the “<a href="#">Configuring Input Policy Maps with Individual Policing</a>” section on page 34-46 for definitions of the action keywords.</p> <p><b>Note</b> You cannot configure table maps for <b>violate-action</b> for aggregate policing unless a table map is configured for <b>exceed-action</b> and no explicit action is configured for violate-action.</p>
Step 3	<b>policy-map</b> <i>policy-map-name</i>	Create a policy map by entering the policy map name, and enter policy-map configuration mode.

	Command	Purpose
Step 4	<b>class</b> { <i>class-map-name</i>   <b>class-default</b> }	Enter a class-map name or <b>class-default</b> to match all unclassified packets, and enter policy-map class configuration mode. If you enter a class-map name, you must have already created the class map by using the <b>class-map</b> global configuration command.
Step 5	<b>police aggregate</b> <i>aggregate-policer-name</i>	Apply an aggregate policer to multiple classes in the same policy map. For <i>aggregate-policer-name</i> , enter the name specified in Step 2.
Step 6	<b>exit</b>	Return to policy-map configuration mode.
Step 7	<b>exit</b>	Return to global configuration mode.
Step 8	<b>interface</b> <i>interface-id</i>	Enter interface configuration mode for the interface to which you want to attach the policy.
Step 9	<b>service-policy input</b> <i>policy-map-name</i>	Attach the policy map (created in Step 3) to the ingress interface.
Step 10	<b>end</b>	Return to privileged EXEC mode.
Step 11	<b>show policer aggregate</b> [ <i>aggregate-policer-name</i> ]	Verify your entries.
Step 12	<b>copy running-config startup-config</b>	(Optional) Save your entries in the configuration file.

After you have created an aggregate policer, you attach it to an ingress port. See the [“Attaching a Traffic Policy to an Interface”](#) section on page 34-44.

To remove the specified aggregate policer from a policy map, use the **no police aggregate** *aggregate-policer-name* policy map configuration mode. To delete an aggregate policer and its parameters, use the **no policer aggregate** *aggregate-policer-name* global configuration command.

This example shows how to create an aggregate policer and attach it to multiple classes within a policy map. The policy map is attached to an ingress port.

```
Switch(config)# policer aggregate example 10900000 80000 conform-action transmit
exceed-action drop
Switch(config)# class-map testclass1
Switch(config-cmap)# match access-group 1
Switch(config-cmap)# exit
Switch(config)# class-map testclass2
Switch(config-cmap)# match access-group 2
Switch(config-cmap)# exit
Switch(config)# policy-map testexample
Switch(config-pmap)# class testclass
Switch(config-pmap-c)# police aggregate example
Switch(config-pmap-c)# exit
Switch(config-pmap)# class testclass2
Switch(config-pmap-c)# police aggregate example
Switch(config-pmap-c)# exit
Switch(config-pmap)# exit
Switch(config)# interface fastethernet0/1
Switch(config-if)# service-policy input testexample
Switch(config-if)# exit
```

This example shows how to create a 2-rate, 3-color aggregate policer and attach it to multiple classes within a policy map. The policy map is attached to an ingress port.

```
Switch(config)# policer aggregate example cir 10900000 pir 80000000 conform-action
transmit exceed-action drop violate-action drop
Switch(config)# class-map testclass1
Switch(config-cmap) # match access-group 1
Switch(config-cmap) # exit
Switch(config)# class-map testclass2
Switch(config-cmap) # match access-group 2
Switch(config-cmap) # exit
Switch(config)# policy-map testexample
Switch(config-pmap) # class testclass
Switch(config-pmap-c) # police aggregate example
Switch(config-pmap-c) # exit
Switch(config-pmap) # class testclass2
Switch(config-pmap-c) # police aggregate example
Switch(config-pmap-c) # exit
Switch(config-pmap) # exit
Switch(config)# interface fastethernet0/1
Switch(config-if) # service-policy input testexample
Switch(config-if) # exit
```

## Configuring Input Policy Maps with Marking

You use the **set** policy-map class configuration command to set or modify the attributes for traffic belonging to a specific class. Follow these guidelines when configuring marking in policy maps:

- You can configure a maximum of 100 QoS groups on the switch.
- When you use a table map for marking in an input policy map, the protocol type of the map from type of action must be the same as the protocol type of the associated classification. For example, if the associated class map represents an IP classification, the **map from** type of action that references the table map must be either **dscp** or **precedence**. If the associated class map represents a non-IP classification, the **map from** type of action that references the table map must be **cos**.

Beginning in privileged EXEC mode, follow these steps to create an input policy map that marks traffic:

	Command	Purpose
Step 1	<b>configure terminal</b>	Enter global configuration mode.
Step 2	<b>policy-map</b> <i>policy-map-name</i>	Create a policy map by entering the policy map name, and enter policy-map configuration mode.
Step 3	<b>class</b> { <i>class-map-name</i>   <b>class-default</b> }	Enter a class-map name, or <b>class-default</b> to match all unclassified packets, and enter policy-map class configuration mode.  If you enter a class-map name, you must have already created the class map by using the <b>class-map</b> global configuration command.

	Command	Purpose
Step 4	<b>set qos-group</b> <i>value</i> and/or <b>set cos</b> { <i>cos_value</i>   <b>cos</b> [ <b>table</b> <i>table-map-name</i> ]   <b>dscp</b> [ <b>table</b> <i>table-map-name</i> ]   <b>precedence</b> [ <b>table</b> <i>table-map-name</i> ]} and/or <b>set [ip] dscp</b> { <i>dscp_value</i>   <b>cos</b> [ <b>table</b> <i>table-map-name</i> ]   <b>dscp</b> [ <b>table</b> <i>table-map-name</i> ]   <b>precedence</b> [ <b>table</b> <i>table-map-name</i> ]} and/or <b>set dot1ad dei</b> { <i>dei-value</i>   [ <b>cos</b>   <b>dscp</b>   <b>precedence</b> ] [ <b>table</b> <i>table-map name</i> ]} and/or <b>set [ip] precedence</b> { <i>precedence_value</i>   <b>cos</b> [ <b>table</b> <i>table-map-name</i> ]   <b>dscp</b> [ <b>table</b> <i>table-map-name</i> ]   <b>precedence</b> [ <b>table</b> <i>table-map-name</i> ]}	Mark traffic by setting a new value in the packet, specifying a table map, or specifying a QoS group. <ul style="list-style-type: none"> <li>For <b>qos-group</b> <i>value</i>, identify a QoS group to be used at egress to identify specific packets. The range is from 0 to 99.</li> <li>For <b>cos</b> <i>cos_value</i>, enter a new CoS value to be assigned to the classified traffic. The range is 0 to 7.</li> <li>For <b>dot1ad dei</b> <i>dei-value</i>, enter the value of the DEI bit of the 802.1ad frame. The range is 0 to 1.</li> <li>For <b>[ip] dscp</b> <i>new-dscp</i>, enter a new DSCP value to be assigned to the classified traffic. The range is 0 to 63.</li> <li>For <b>[ip] precedence</b> <i>new-precedence</i>, enter a new IP-precedence value to be assigned to the classified traffic. The range is 0 to 7.</li> <li>You can also configure a CoS, DSCP, or IP precedence table and optionally enter the table name. If you do not enter <b>table</b> <i>table-map name</i>, the table map default behavior is <b>copy</b>. See the “<a href="#">Configuring Table Maps</a>” section on page 34-43.</li> </ul>
Step 5	<b>exit</b>	Return to policy-map configuration mode.
Step 6	<b>exit</b>	Return to global configuration mode.
Step 7	<b>interface</b> <i>interface-id</i>	Enter interface configuration mode for the interface to which you want to attach the policy.
Step 8	<b>service-policy input</b> <i>policy-map-name</i>	Attach the policy map (created in Step 2) to the ingress interface.
Step 9	<b>end</b>	Return to privileged EXEC mode.
Step 10	<b>show policy-map</b> [ <i>policy-map-name</i> [ <i>class class-map-name</i> ]]	Verify your entries.
Step 11	<b>copy running-config startup-config</b>	(Optional) Save your entries in the configuration file.

Use the **no** form of the appropriate command to delete a policy map or table map or remove an assigned CoS, DSCP, precedence, or QoS-group value.

This example uses a policy map to remark a packet. The first marking (the **set** command) applies to the QoS default class map that matches all traffic not matched by class *AF31-AF33* and sets all traffic to an IP DSCP value of 1. The second marking sets the traffic in classes *AF31* to *AF33* to an IP DSCP of 3.

```
Switch(config)# policy-map Example
Switch(config-pmap)# class class-default
Switch(config-pmap-c)# set ip dscp 1
Switch(config-pmap-c)# exit
Switch(config-pmap)# class AF31-AF33
Switch(config-pmap-c)# set ip dscp 3
Switch(config-pmap-c)# exit
Switch(config-pmap)# exit
Switch(config)# interface fastethernet0/1
Switch(config-if)# service-policy input Example
Switch(config-if)# exit
```

## Configuring Per-Port Per-VLAN QoS with Hierarchical Input Policy Maps

Per-port, per-VLAN QoS allows classification based on VLAN IDs for applying QoS for frames received on a given interface and VLAN. This is achieved by using a hierarchical policy map, with a parent policy and a child policy.

Note these guidelines and limitations when configuring per-port, per-VLAN QoS:

- The feature is supported only by using a two-level hierarchical input policy map, where the parent level defines the VLAN-based classification, and the child level defines the QoS policy to be applied to the corresponding VLAN or VLANs.
- You can configure multiple service classes at the parent level to match different combinations of VLANs, and you can apply independent QoS policies to each parent-service class using any child policy map
- A policy is considered a parent policy map when it has one or more of its classes associated with a child policy map. Each class within a parent policy-map is called a parent-class. In parent classes, you can configure only the **match vlan** class-map configuration command. You cannot configure the **match vlan** command in classes within the child policy map.
- You cannot configure a mixture of Layer 2 and Layer 3 class maps in a child policy map. When you attempt to associate such a child policy map with a parent policy, the configuration is rejected. However, you can associate Layer 2 child policies and Layer 3 child policies with different parent-level class maps.
- Per-port, per-VLAN QoS is supported only on 802.1Q trunk ports.
- When the child policy-map attached to a VLAN or set of VLANs contains only Layer 3 classification (**match ip dscp**, **match ip precedence**, **match IP ACLs**), take care to ensure that these VLANs are not carried on any other port besides the one on which the per-port, per-vlan policy is attached. Not following this rule could result in improper QoS behavior for traffic ingressing the switch on these VLANs.
- We also recommend that you restrict VLAN membership on the trunk ports to which the per-port, per-VLAN is applied by using the **switchport trunk allowed vlan** interface configuration command. Overlapping VLAN membership between trunk ports that have per-port, per-VLAN policies with Layer 3 classification could also result in unexpected QoS behavior.
- In past releases in a per-port, per-VLAN hierarchical input policy-map, you could not associate a child policy with the class class-default of the parent policy map. You could only classify on known VLANs received on a port. In Cisco IOS Release 12.2(53)SE and later, you can enter **class class-default** in the parent policy map of a per-port, per-VLAN hierarchical input policy map to classify all VLANs not identified by specified parent VLAN classes. You can then associate a child-policy to this parent class class-default by using the service-policy child-policy-map name policy-map class configuration command to specify child classes and actions to apply to this traffic. These same limitations from past releases about combinations of child-policies with a particular VLAN-ID in per-port, per-VLAN policies across the switch also apply to the class-default in per-port, per-VLAN policies.
  - You cannot combine Layer 2 child policies classifying on S-COS, C-COS, or Layer 2 (MAC) ACLs and Layer 3 child policies classifying on DSCP, IP precedence or Layer 3 (IP) ACLs.
  - You cannot combine a class default only child policy and a Layer 3 child policy classifying on DSCP, IP precedence, or Layer 3 (IP) ACLs.

Configuring per-port, per-VLAN QoS includes these tasks:

- [Creating Child-Policy Class Maps, page 34-61](#)
- [Creating Parent-Policy Class Maps, page 34-62](#)



- [Creating Child Policy Maps, page 34-63](#)
- [Creating a Parent Policy Map, page 34-63](#)
- [Attaching a Parent Policy Map to an Interface, page 34-64](#)

## Creating Child-Policy Class Maps

Beginning in privileged EXEC mode, follow these steps to create one or more child-policy class maps:

	Command	Purpose
Step 1	<b>configure terminal</b>	Enter global configuration mode.
Step 2	<b>class-map [match-all   match-any]</b> <i>child-class-map-name</i>	<p>Create a class map, and enter class-map configuration mode. By default, no class maps are defined.</p> <ul style="list-style-type: none"> <li>• (Optional) Use the <b>match-all</b> keyword to perform a logical-AND of all matching statements under this class map. All match criteria in the class map must be matched.</li> <li>• (Optional) Use the <b>match-any</b> keyword to perform a logical-OR of all matching statements under this class map. One or more match criteria must be matched.</li> <li>• For <i>class-map-name</i>, specify the name of the class map.</li> </ul> <p>If no matching statements are specified, the default is <b>match-all</b>.</p> <p><b>Note</b> A <b>match-all</b> class map cannot have more than one classification criterion (match statement).</p>

	Command	Purpose
Step 3	<b>match</b> { <b>access-group</b> <i>acl-index-or-name</i>   <b>cos</b> <i>cos-list</i>   <b>ip dscp</b> <i>dscp-list</i>   <b>ip precedence</b> <i>ip-precedence-list</i>   <b>qos-group</b> <i>value</i>   <b>vlan</b> <i>vlan-list</i> }	<p>Define the match criterion to classify traffic. By default, no match criterion is defined.</p> <p>Only one match type per class map is supported, and only one ACL per class map is supported.</p> <ul style="list-style-type: none"> <li>For <b>access-group</b> <i>acl-index-or-name</i>, specify the number or name of an ACL. Matching access groups is supported only in input policy maps.</li> <li>For <b>cos</b> <i>cos-list</i>, enter a list of up to four CoS values in a single line to match against incoming packets. Separate each value with a space. You can enter multiple <i>cos-list</i> lines to match more than four CoS values. The range is 0 to 7.</li> <li>For <b>ip dscp</b> <i>dscp-list</i>, enter a list of up to eight IPv4 DSCP values to match against incoming packets. Separate each value with a space. You can enter multiple <i>dscp-list</i> lines to match more than eight DSCP values. The numerical range is 0 to 63. You can also configure DSCP values in other forms. See the <a href="#">“Classification Based on IP DSCP” section on page 34-9</a>.</li> <li>For <b>ip precedence</b> <i>ip-precedence-list</i>, enter a list of up to four IPv4 precedence values to match against incoming packets. Separate each value with a space. You can enter multiple <i>ip-precedence-list</i> lines to match more than four precedence values. The range is 0 to 7.</li> <li>For <b>qos-group</b> <i>value</i>, specify the QoS group number. The range is 0 to 99. Matching of QoS groups is supported only in output policy maps.</li> <li>For <b>vlan</b> <i>vlan-list</i>, specify a VLAN ID or a range of VLANs to be used in a parent policy map for per-port, per-VLAN QoS on a trunk port. The VLAN ID range is 1 to 4094.</li> </ul>
Step 4	<b>end</b>	Return to privileged EXEC mode.
Step 5	<b>show class-map</b>	Verify your entries.
Step 6	<b>copy running-config startup-config</b>	(Optional) Save your entries in the configuration file.

## Creating Parent-Policy Class Maps

Beginning in privileged EXEC mode, follow these steps to create one or more parent-policy class maps:

	Command	Purpose
Step 1	<b>configure terminal</b>	Enter global configuration mode.
Step 2	<b>class-map match-any</b> <i>parent-class-map-name</i>	<p>Create a <b>match-any</b> class map for the parent policy, and enter class-map configuration mode.</p> <p><b>Note</b> You can enter <b>match-all</b> or not enter either <b>match-any</b> or <b>match-all</b> (to default to <b>match-all</b>) if you are going to match only one VLAN ID.</p>

	Command	Purpose
Step 3	<b>match vlan</b> <i>vlan-id</i>	Define the VLAN or VLANs on which to classify traffic.  For <i>vlan-id</i> , specify a VLAN ID, a series of VLAN IDs separated by a space, or a range of VLANs separated by a hyphen to be used in a parent policy map for per-port, per-VLAN QoS on a trunk port. The VLAN ID range is 1 to 4094.  You can also enter the <b>match vlan</b> command multiple times to match multiple VLANs.
Step 4	<b>end</b>	Return to privileged EXEC mode.
Step 5	<b>show class-map</b>	Verify your entries.
Step 6	<b>copy running-config startup-config</b>	(Optional) Save your entries in the configuration file.

### Creating Child Policy Maps

Beginning in privileged EXEC mode, follow these steps to create one or more child policy maps:

	Command	Purpose
Step 1	<b>configure terminal</b>	Enter global configuration mode.
Step 2	<b>policy-map</b> <i>child-policy-map-name</i>	Create a child policy map by entering the policy map name, and enter policy-map configuration mode.
Step 3	<b>class</b> { <i>child-class-map-name</i>   <b>class-default</b> }	Enter a child class-map name or <b>class-default</b> to match all unclassified packets, and enter policy-map class configuration mode.
Step 4	Use the <b>police</b> policy-map class configuration command to configure policers and the action to take for a class of traffic, or use the <b>set</b> policy-map class configuration command to mark traffic belonging to the class.	
Step 5	<b>end</b>	Return to privileged EXEC mode.
Step 6	<b>show policy-map</b> [ <i>child-policy-map-name</i> ] [ <b>class</b> <i>class-map-name</i> ]	Verify your entries.
Step 7	<b>copy running-config startup-config</b>	(Optional) Save your entries in the configuration file.

### Creating a Parent Policy Map

Beginning in privileged EXEC mode, follow these steps to create a parent policy map and attach it to an interface:

	Command	Purpose
Step 1	<b>configure terminal</b>	Enter global configuration mode.
Step 2	<b>policy-map</b> <i>parent-policy-map-name</i>	Create a parent policy map by entering the policy map name, and enter policy-map configuration mode.
Step 3	<b>class</b> { <i>parent-class-map-name</i>   <b>class-default</b> }	Enter the parent class-map name, and enter policy-map class configuration mode.
Step 4	<b>service policy</b> <i>child-policy-map-name</i>	Associate the child policy map with the parent policy map
Step 5	<b>end</b>	Return to privileged EXEC mode.

	Command	Purpose
Step 6	<b>show policy-map</b> [ <i>parent-policy-map-name</i> [ <b>class</b> <i>class-map-name</i> ]]	Verify your entries.
Step 7	<b>copy running-config startup-config</b>	(Optional) Save your entries in the configuration file.

### Attaching a Parent Policy Map to an Interface

Beginning in privileged EXEC mode, follow these steps to create and attach the parent policy map to an interface:

	Command	Purpose
Step 1	<b>configure terminal</b>	Enter global configuration mode.
Step 2	<b>interface</b> <i>interface-id</i>	Enter interface configuration mode for the interface to which you want to attach the policy.
Step 3	<b>switchport mode trunk</b>	Configure the port as a trunk port.
Step 4	<b>switchport trunk allowed vlan</b> <i>vlan-list</i>	(Recommended) Restrict VLAN membership for trunk ports to avoid overlapping VLAN membership if the per-port, per-VLAN policy includes Layer 3 classification.
Step 5	<b>service-policy input</b> <i>parent-policy-map-name</i>	Attach the parent policy map (created in the previous section) to the ingress interface.
Step 6	<b>end</b>	Return to privileged EXEC mode.
Step 7	<b>show policy-map interface</b> [ <i>interface-id</i> ]	Verify your entries.
Step 8	<b>copy running-config startup-config</b>	(Optional) Save your entries in the configuration file.

This is an example of using multiple parent classes to classify matching criteria for voice and video on customer VLANs.

```
Switch(config)# class-map match-any video
Switch(config-cmap)# match ip dscp af41
Switch(config-cmap)# exit
Switch(config)# class-map match-any voice
Switch(config-cmap)# match ip dscp ef
Switch(config-cmap)# exit

Switch(config)# class-map match-any customer1-vlan
Switch(config-cmap)# match vlan 100-105
Switch(config-cmap)# exit
Switch(config)# class-map match-any customer2-vlan
Switch(config-cmap)# match vlan 110-120
Switch(config-cmap)# exit

Switch(config)# policy-map child-policy-1
Switch(config-pmap)# class voice
Switch(config-pmap-c)# police cir 10000000 bc 50000
Switch(config-pmap-c-police)# conform-action set-cos-transmit 5
Switch(config-pmap-c-police)# exceed-action drop
Switch(config-pmap-c-police)# exit
Switch(config-pmap-c)# exit
Switch(config-pmap)# class video
Switch(config-pmap-c)# set cos 4
```

```

Switch(config-pmap-c) # exit
Switch(config-pmap) # class class-default
Switch(config-pmap-c) # set cos 0
Switch(config-pmap-c) # exit

Switch(config) # policy-map child-policy-2
Switch(config-pmap) # class voice
Switch(config-pmap-c) # police cir 5000000
Switch(config-pmap-c-police) # conform-action set-cos-transmit 5
Switch(config-pmap-c-police) # exceed-action drop
Switch(config-pmap-c-police) # exit
Switch(config-pmap-c) # exit
Switch(config-pmap) # class video
Switch(config-pmap-c) # police cir 40000000
Switch(config-pmap-c-police) # conform-action set-cos-transmit 4
Switch(config-pmap-c-police) # exceed-action set-cos-transmit 1
Switch(config-pmap-c-police) # exit
Switch(config-pmap-c) # exit
Switch(config-pmap) # class class-default
Switch(config-pmap-c) # set cos 0
Switch(config-pmap-c) # exit

Switch(config) # policy-map uni-parent
Switch(config-pmap) # class customer1-vlan
Switch(config-pmap-c) # service-policy child-policy-1
Switch(config-pmap-c) # exit
Switch(config-pmap) # class customer2-vlan
Switch(config-pmap-c) # service-policy child-policy-2
Switch(config-pmap-c) # exit

Switch(config) # interface fastethernet0/1
Switch(config-if) # switchport mode trunk
Switch(config-if) # switchport trunk allowed vlan 100-105, 110-120
Switch(config-if) # service-policy input uni-parent
Switch(config-pmap-c) # exit

```

In this example, the child policy map *child-policy-1* is associated with the class *customer1-vlan* and *child-policy-2* uses the class **class-default** to associate it with all other traffic.

```

Switch(config) # policy-map uni-parent
Switch(config-pmap) # class customer1-vlan
Switch(config-pmap-c) # service-policy child-policy-1
Switch(config-pmap-c) # exit
Switch(config-pmap) # class class-default
Switch(config-pmap-c) # service-policy child-policy-2
Switch(config-pmap-c) # exit

```

## Configuring Output Policy Maps

You use output policy maps to manage congestion avoidance, queuing, and scheduling of packets leaving the switch. The switch has four egress queues, and you use output policy maps to control the queue traffic. You configure shaping, queue-limit, and bandwidth on these queues. You can use high priority (class-based priority queuing). Policing is not supported on output policy maps, except when configuring priority with police for class-based priority queuing. Output policy map classification criteria are matching a CoS, DSCP, or IP precedence value or a QoS group.

Follow these guidelines when configuring output policy maps on physical ports:

- You can configure and attach as many output policy maps as there are ports on the switch. Multiple output policy maps can use the same queue-limit configuration. However, these policy maps can have only three unique queue-limit configurations.

- Output policy maps can have a maximum of four classes, including the class **class-default**.
- All output policy maps must have the same number of defined class-maps defined, either 1, 2, or 3.
- All output policy maps must use the same set of classes, although the actions for each class can differ for each output policy map.
- In a child policy map, the **class-default** supports all output policy map actions except **priority** and **police**. Action restrictions for **class-default** are the same as for other classes except that a queue limit configuration for **class-default** does not require a scheduling action.
- To classify based on criteria at the output, the criteria must be established at the input. You can establish criteria at the input through classification only when you configure only policing and not marking, or through explicit marking when you configure any marking (policing with **conform** or **exceed** marking or unconditional **set** marking).
- You cannot configure class-based priority queuing under the class **class-default** in an output policy map
- In an output policy map, unless priority queuing is configured, the class default receives a minimum bandwidth guarantee equal to the unconfigured bandwidth on the port.
- After you have attached an output policy map to an interface by using the **service-policy** interface configuration command, you can change only the parameters of the configured actions (rates, percentages, and so on) or add or delete classification criteria of the class map while the policy map is attached to the interface. To add or delete a class or action, you must detach the policy map from all interfaces, modify it, and then reattach it to interfaces.



---

**Note** If you anticipate that you might need three classes in a policy map, you should define three classes when you create the policy map, even if you are not ready to use all three at that time. You cannot add a class to a policy map after it has been attached to an interface.

---

- When at least one output policy map is attached to a active port, other active ports without output policy maps attached might incorrectly schedule and incorrectly order traffic that uses the same classes as the attached output policy maps. We recommend attaching output policy maps to all ports that are in use. We also recommend putting any unused ports in the shutdown state by entering the **shutdown** interface configuration command. For example, if you attach an output policy map that shapes DSCP 23 traffic to a port, DSCP traffic that is sent out of any other port without a policy map attached could be incorrectly scheduled or ordered incorrectly with respect to other traffic sent out of the same port.
- We strongly recommended that you disable port speed autonegotiation when you attach an output policy map to a port to prevent the port from autonegotiating to a rate that would make the output policy map invalid. You can configure a static port speed by using the **speed** interface configuration command. If an output policy-map is configured on a port that is set for autonegotiation and the speed autonegotiates to a value that invalidates the policy, the port is put in the error-disabled state.
- You can attach only one output policy map per port.
- The maximum number of policy maps configured on the switch is 256.

These sections describe how to configure different types of output policy maps:

- [Configuring Output Policy Maps with Class-Based-Weighted-Queuing, page 34-67](#)
- [Configuring Output Policy Maps with Class-Based Shaping, page 34-69](#)
- [Configuring Output Policy Maps with Port Shaping, page 34-70](#)

- [Configuring Output Policy Maps with Class-Based Priority Queuing, page 34-71](#)
- [Configuring Output Policy Maps with Weighted Tail Drop, page 34-75](#)

## Configuring Output Policy Maps with Class-Based-Weighted-Queuing

You use the **bandwidth** policy-map class configuration command to configure class-based weighted fair queuing (CBWFQ). CBWFQ sets the relative precedence of a queue by allocating a portion of the total bandwidth that is available for the port.

Follow these guidelines when configuring CBWFQ:

- When configuring bandwidth in a policy map, all rate configurations must be in the same format, either a configured rate or a percentage.
- The total rate of the minimum bandwidth guarantees for each queue of the policy cannot exceed the total speed for the interface.
- You cannot configure CBWFQ (**bandwidth**) and traffic (**shape average**) or priority queuing (**priority**) for the same class in an output policy map.
- You cannot configure bandwidth as an absolute rate or a percentage of total bandwidth when strict priority (priority without police) is configured for another class map.
- You can configure bandwidth as a percentage of remaining bandwidth only when strict priority (priority without police) is configured for another class in the output policy map.
- When you configure CIR bandwidth for a class as an absolute rate or a percentage of total bandwidth, any excess bandwidth that remains after servicing the CIR of all classes in the policy map is divided among the classes the same proportion as the CIR rates. If you configure the CIR rate of a class to be 0, that class is not eligible for any excess bandwidth and will receive no bandwidth.

Beginning in privileged EXEC mode, follow these steps to use CBWFQ to control bandwidth allocated to a traffic class by specifying a minimum bandwidth as a bit rate or a percentage:

	Command	Purpose
Step 1	<b>configure terminal</b>	Enter global configuration mode.
Step 2	<b>policy-map</b> <i>policy-map-name</i>	Create a policy map by entering the policy map name, and enter policy-map configuration mode.
Step 3	<b>class</b> { <i>class-map-name</i>   <b>class-default</b> }	Enter a <i>child class-map name</i> or <b>class-default</b> to match all unclassified packets, and enter policy-map class configuration mode.

	Command	Purpose
Step 4	<b>bandwidth</b> { <i>rate</i>   <b>percent</b> <i>value</i>   <b>remaining percent</b> <i>value</i> }	Set output bandwidth limits for the policy-map class. <ul style="list-style-type: none"> <li>Enter a <i>rate</i> to set bandwidth in kilobits per second. The range is from 64 to 1000000.</li> <li>Enter <b>percent</b> <i>value</i> to set bandwidth as a percentage of the total bandwidth. The range is 1 to 100 percent.</li> <li>Enter <b>remaining percent</b> <i>value</i> to set bandwidth as a percentage of the remaining bandwidth. The range is 1 to 100 percent. This keyword is valid only when strict priority (priority without police) is configured for another class in the output policy map.</li> </ul> <p>You must specify the same units in each bandwidth configuration in an output policy (absolute rates or percentages). The total guaranteed bandwidth cannot exceed the total available rate.</p>
Step 5	<b>exit</b>	Return to policy-map configuration mode.
Step 6	<b>exit</b>	Return to global configuration mode.
Step 7	<b>interface</b> <i>interface-id</i>	Enter interface configuration mode for the interface to which you want to attach the policy.
Step 8	<b>service-policy output</b> <i>policy-map-name</i>	Attach the policy map (created in Step 2) to the egress interface.
Step 9	<b>end</b>	Return to privileged EXEC mode.
Step 10	<b>show policy-map</b> [ <i>policy-map-name</i> [ <b>class</b> <i>class-map-name</i> ]]	Verify your entries.
Step 11	<b>copy running-config startup-config</b>	(Optional) Save your entries in the configuration file.

After you have created an output policy map, you attach it to an egress port. See the [“Attaching a Traffic Policy to an Interface”](#) section on page 34-44.

Use the **no** form of the appropriate command to delete an existing policy map, class map, or bandwidth configuration.



#### Note

If you enter the **no** policy-map configuration command or the **no policy-map** *policy-map-name* global configuration command to delete a policy map that is attached to an interface, a warning message appears that lists any interfaces from which the policy map is being detached. The policy map is then detached and deleted. For example:

```
Warning: Detaching Policy test1 from Interface GigabitEthernet0/1
```

This example shows how to set the precedence of a queue by allocating 25 percent of the total available bandwidth to the traffic class defined by the class map:

```
Switch(config)# policy-map gold_policy
Switch(config-pmap)# class out_class-1
Switch(config-pmap-c)# bandwidth percent 25
Switch(config-pmap-c)# exit
Switch(config-pmap)# exit
Switch(config)# interface gigabitethernet0/1
Switch(config-if)# service-policy output gold_policy
Switch(config-if)# exit
```



## Configuring Output Policy Maps with Class-Based Shaping

You use the **shape average** policy-map class configuration command to configure traffic shaping. Class-based shaping is a control mechanism that is applied to classes of traffic leaving an interface and uses the shape average command to limit the rate of data transmission used for the committed information rate (CIR) for the class.

Follow these guidelines when configuring class-based shaping:

- Configuring a queue for traffic shaping sets the maximum bandwidth or peak information rate (PIR) of the queue. In the Cisco ME switch, configuring traffic shaping automatically also sets the minimum bandwidth guarantee or CIR of the queue to the same value as the PIR.
- You cannot configure CBWFQ (**bandwidth**) or priority queuing (**priority**) and traffic (**shape average**) for the same class in an output policy map.
- You cannot configure traffic shaping for a traffic class when strict priority (priority without police) is configured for another class within the output policy-map.

Beginning in privileged EXEC mode, follow these steps to use class-based shaping to configure the maximum permitted average rate for a class of traffic:

	Command	Purpose
Step 1	<b>configure terminal</b>	Enter global configuration mode.
Step 2	<b>policy-map</b> <i>policy-map-name</i>	Create a policy map by entering the policy map name, and enter policy-map configuration mode.
Step 3	<b>class</b> { <i>class-map-name</i>   <b>class-default</b> }	Enter a <i>child class-map name</i> or <b>class-default</b> to match all unclassified packets, and enter policy-map class configuration mode.
Step 4	<b>shape average</b> <i>target bps</i>	Specify the average class-based shaping rate.  For <i>target bps</i> , specify the average bit rate in bits per second. The range is from 64000 to 1000000000.
Step 5	<b>exit</b>	Return to policy-map configuration mode.
Step 6	<b>exit</b>	Return to global configuration mode.
Step 7	<b>interface</b> <i>interface-id</i>	Enter interface configuration mode for the interface to which you want to attach the policy.
Step 8	<b>service-policy output</b> <i>policy-map-name</i>	Attach the policy map (created in Step 2) to the egress interface.
Step 9	<b>end</b>	Return to privileged EXEC mode.
Step 10	<b>show policy-map</b> [ <i>policy-map-name</i> [ <b>class</b> <i>class-map-name</i> ]]	Verify your entries.
Step 11	<b>copy running-config startup-config</b>	(Optional) Save your entries in the configuration file.

After you have created an output policy map, you attach it to an egress port. See the [“Attaching a Traffic Policy to an Interface”](#) section on page 34-44.

Use the **no** form of the appropriate command to delete an existing policy map or class map or to delete a class-based shaping configuration.

This example shows how to configure traffic shaping for outgoing traffic on a Fast Ethernet port so that *outclass1*, *outclass2*, and *outclass3* get a maximum of 50, 20, and 10 Mb/s of the available port bandwidth. The class **class-default** gets the remaining bandwidth.

```
Switch(config)# policy-map out-policy
Switch(config-pmap)# class classout1
Switch(config-pmap-c)# shape average 50000000
Switch(config-pmap-c)# exit
Switch(config-pmap)# class classout2
Switch(config-pmap-c)# shape average 20000000
Switch(config-pmap-c)# exit
Switch(config-pmap)# class classout3
Switch(config-pmap-c)# shape average 10000000
Switch(config-pmap-c)# exit
Switch(config-pmap)# exit
Switch(config)# interface fastethernet0/1
Switch(config-if)# service-policy output out-policy
Switch(config-if)# exit
```

## Configuring Output Policy Maps with Port Shaping

Port shaping is applied to all traffic leaving an interface. It uses a policy map with only class default when the maximum bandwidth for the port is specified by using the **shape average** command. A child policy can be attached to the class-default in a hierarchical policy map format to specify class-based actions for the queues on the shaped port.

The total of the minimum bandwidth guarantees (CIR) for each queue of the child policy cannot exceed the total port shape rate.

Beginning in privileged EXEC mode, follow these steps to use port shaping to configure the maximum permitted average rate for a class of traffic:

	Command	Purpose
Step 1	<b>configure terminal</b>	Enter global configuration mode.
Step 2	<b>policy-map</b> <i>policy-map-name</i>	Create a hierarchical policy map by entering the hierarchical policy map name, and enter policy-map configuration mode for the parent policy.
Step 3	<b>class class-default</b>	Enter a policy-map class configuration mode for the default class.
Step 4	<b>shape average</b> <i>target bps</i>	Specify the average class-based shaping rate. For <i>target bps</i> , specify the average bit rate in bits per second. The range is from 4000000 to 1000000000.
Step 5	<b>service-policy</b> <i>policy-map-name</i>	Specify the child policy-map to be used in the hierarchical policy map if required.
Step 6	<b>exit</b>	Return to policy-map configuration mode.
Step 7	<b>exit</b>	Return to global configuration mode.
Step 8	<b>interface</b> <i>interface-id</i>	Enter interface configuration mode for the interface to which you want to attach the policy.
Step 9	<b>service-policy output</b> <i>policy-map-name</i>	Attach the parent policy map (created in Step 2) to the egress interface.
Step 10	<b>end</b>	Return to privileged EXEC mode.

	Command	Purpose
Step 11	<b>show policy-map</b> [ <i>policy-map-name</i> [ <b>class</b> <i>class-map-name</i> ]]	Verify your entries.
Step 12	<b>copy running-config startup-config</b>	(Optional) Save your entries in the configuration file.

After you have created the hierarchical output policy map, you attach it to an egress port. See the [“Attaching a Traffic Policy to an Interface”](#) section on page 34-44.

Use the **no** form of the appropriate command to delete an existing hierarchical policy map, to delete a port shaping configuration, or to remove the policy map from the hierarchical policy map.

This example shows how to configure port shaping by configuring a hierarchical policy map that shapes a port to 90 Mbps, allocated according to the *out-policy* policy map configured in the previous example.

```
Switch(config)# policy-map out-policy-parent
Switch(config-pmap)# class class-default
Switch(config-pmap-c)# shape average 90000000
Switch(config-pmap-c)# service-policy out-policy
Switch(config-pmap-c)# exit
Switch(config-pmap)# exit
Switch(config)# interface fastethernet0/1
Switch(config-if)# service-policy output out-policy-parent
Switch(config-if)# exit
```

## Configuring Output Policy Maps with Class-Based Priority Queuing

You can use the **priority** policy-map class configuration command to ensure that a particular class of traffic is given preferential treatment. With strict priority queuing, the priority queue is constantly serviced; all packets in the queue are scheduled and sent until the queue is empty. Excessive use of the priority queues can possibly delay packets in other queues and create unnecessary congestion.

You can configure strict priority queuing (priority without police), or you can configure an unconditional priority policer (priority with police). Follow these guidelines when configuring priority queuing:

- You can associate the **priority** command with a single unique class for all attached output policies on the switch.
- When you configure a traffic class as a priority queue, you can configure only **police** and **queue-limit** as other queuing actions for the same class. You cannot configure **bandwidth** or **shape average** with priority queues in the same class.
- You cannot associate the **priority** command with the **class-default** of the output policy map.

### Configuring Priority Without Police

Follow these guidelines when configuring strict priority queuing (priority without police):

- You cannot configure priority queuing without policing for a traffic class when class-based shaping (**shape average**) or CBWFQ (**bandwidth**) is configured for another class within the output policy-map.
- When you configure priority queuing without policing for a traffic class, you can only configure the other queues for sharing by using the **bandwidth remaining percent** policy-map class configuration command to allocate excess bandwidth. This command does not guarantee the allocated bandwidth, but does ensure the rate of distribution.

Beginning in privileged EXEC mode, follow these steps to configure a strict priority queue:

	Command	Purpose
Step 1	<b>configure terminal</b>	Enter global configuration mode.
Step 2	<b>class-map</b> <i>class-map-name</i>	Create classes for three egress queues. Enter match conditions classification for each class.
Step 3	<b>policy-map</b> <i>policy-map-name</i>	Create a policy map by entering the policy map name, and enter policy-map configuration mode.
Step 4	<b>class</b> <i>class-map-name</i>	Enter the name of the priority class (created by using the <b>class-map</b> global configuration command), and enter policy-map class configuration mode for the priority class.
Step 5	<b>priority</b>	Set the strict scheduling priority for this class.  <b>Note</b> Only one unique class map on the switch can be associated with a <b>priority</b> command. You cannot configure priority along with any other queuing action ( <b>bandwidth</b> or <b>shape average</b> ).
Step 6	<b>exit</b>	Exit policy-map class configuration mode for the priority class.
Step 7	<b>class</b> <i>class-map-name</i>	Enter the name of a nonpriority class, and enter policy-map class configuration mode for that class.
Step 8	<b>bandwidth remaining percent</b> <i>value</i>	Set output bandwidth limits for the policy-map class as a percentage of the remaining bandwidth. The range is 1 to 100 percent.
Step 9	<b>exit</b>	Exit policy-map class configuration mode for the class
Step 10	<b>exit</b>	Return to global configuration mode.
Step 11	<b>interface</b> <i>interface-id</i>	Enter interface configuration mode for the interface to which you want to attach the policy.
Step 12	<b>service-policy output</b> <i>policy-map-name</i>	Attach the policy map (created in Step 3) to the egress interface.
Step 13	<b>end</b>	Return to privileged EXEC mode.
Step 14	<b>show policy-map</b>	Verify your entries.
Step 15	<b>copy running-config startup-config</b>	(Optional) Save your entries in the configuration file.

After you have created an output policy map, you attach it to an egress port. See the [“Attaching a Traffic Policy to an Interface”](#) section on page 34-44.

Use the **no** form of the appropriate command to delete an existing policy map or class map or to cancel strict priority queuing for the priority class or the bandwidth setting for the other classes.

This example shows how to configure the class *out-class1* as a strict priority queue so that all packets in that class are sent before any other class of traffic. Other traffic queues are configured so that *out-class-2* gets 50 percent of the remaining bandwidth and *out-class3* gets 20 percent of the remaining bandwidth. The class **class-default** receives the remaining 30 percent with no guarantees.

```
Switch(config)# policy-map policy1
Switch(config-pmap)# class out-class1
Switch(config-pmap-c)# priority
Switch(config-pmap-c)# exit
Switch(config-pmap)# class out-class2
Switch(config-pmap-c)# bandwidth remaining percent 50
Switch(config-pmap-c)# exit
Switch(config-pmap)# class out-class3
Switch(config-pmap-c)# bandwidth remaining percent 20
```

```
Switch(config-pmap-c) # exit
Switch(config-pmap) # exit
Switch(config) # interface gigabitethernet0/1
Switch(config-if) # service-policy output policy1
Switch(config-if) # exit
```

## Configuring Priority With Police

You can use the priority with police feature and configure an unconditional priority policer to limit the bandwidth used by the priority queue and allocate bandwidth or shape other queues. Follow these guidelines when configuring priority with police:

- You cannot configure a policer committed burst size for an unconditional priority policer even though the keyword is visible in the CLI help. Any configured burst size is ignored when you try to attach the output service policy.
- The allowed police rate range is 64000 to 1000000000 bps, even though the range that appears in the CLI help is 8000 to 1000000000. You cannot attach an output service policy with an out-of-range rate.
- You cannot configure priority with policing for a traffic class when **bandwidth remaining percent** is configured for another class in the same output policy map.
- You can configure 1-rate, 2-color policers for output policies with priority. You cannot configure 2-rate, 3-color policers for output policies.

Beginning in privileged EXEC mode, follow these steps to configure priority with police:

	Command	Purpose
Step 1	<b>configure terminal</b>	Enter global configuration mode.
Step 2	<b>class-map</b> <i>class-map-name</i>	Create classes for three egress queues. Enter match conditions classification for each class.
Step 3	<b>policy-map</b> <i>policy-map-name</i>	Create a policy map by entering the policy map name, and enter policy-map configuration mode.
Step 4	<b>class</b> <i>class-map-name</i>	Enter the name of the priority class (created by using the <b>class-map</b> global configuration command), and enter policy-map class configuration mode for the priority class.
Step 5	<b>priority</b>	Configure this class as the priority class. <b>Note</b> Only one unique class map on the switch can be associated with a <b>priority</b> command.

	Command	Purpose
Step 6	<b>police</b> { <i>rate-bps</i> / <b>cir</b> <i>cir-bps</i> }	<p>Define a policer for the priority class of traffic.</p> <ul style="list-style-type: none"> <li>For <i>rate-bps</i>, specify average traffic rate in bits per second (bps). The range is 64000 to 1000000000.</li> </ul> <p><b>Note</b> When you use the <b>police</b> command with the <b>priority</b> command in an output policy, the police rate range and the CIR range is 64000 to 1000000000 bps, even though the range that appears in the CLI help is 8000 to 1000000000. You cannot attach an output service policy with an out-of-range rate.</p> <ul style="list-style-type: none"> <li>For <b>cir</b> <i>cir-bps</i>, specify a committed information rate (CIR) in bits per second (bps). The range is 64000 to 1000000000.</li> </ul> <p><b>Note</b> Although visible in the command-line help string, the burst-size option is not supported in output policy maps. You cannot attach an output service policy map that has a configured burst size.</p>
Step 7	<b>conform-action</b> [ <b>transmit</b> ]	<p>(Optional) Enter the action to be taken on packets that conform to the CIR. If no action is entered, the default action is to send the packet.</p> <p><b>Note</b> You can enter a single conform-action as part of the command string following the <b>police</b> command. You can also enter a carriage return after the <b>police</b> command and enter policy-map class police configuration mode to enter the conform-action. When the <i>police</i> command is configured with priority in an output policy map, only the default conform-action of <b>transmit</b> is supported. Although visible in the command-line help string, the other police conform actions are not supported in output policy maps.</p>
Step 8	<b>exceed-action</b> [ <b>drop</b> ]	<p>(Optional) Enter the action to be taken for packets that do not conform to the CIR. If no action is entered, the default action is to drop the packet.</p> <p><b>Note</b> You can enter a single exceed-action as part of the command string following the <b>police</b> command. You can also enter a carriage return after the <b>police</b> command and enter policy-map class police configuration mode to enter the exceed-action. When the <i>police</i> command is configured with priority in an output policy map, only the default exceed-action of <b>drop</b> is supported. Although visible in the command-line help string, the other police exceed actions are not supported in output policy maps.</p>
Step 9	<b>exit</b>	Exit policy-map class configuration mode for the priority class.
Step 10	<b>class</b> <i>class-map-name</i>	Enter the name of the first nonpriority class, and enter policy-map class configuration mode for that class.

	Command	Purpose
Step 11	<b>bandwidth</b> {rate   percent <i>value</i> }  or <b>shape average</b> <i>target bps</i>	Set output bandwidth limits for the policy-map class in kilobits per second (the range is 64 to 1000000) or a percentage of the total bandwidth (the range is 1 to 100 percent) or specify the average class-based shaping rate in bits per second (the range is 64000 to 1000000000).
Step 12	<b>exit</b>	Return to policy-map configuration mode.
Step 13	<b>exit</b>	Return to global configuration mode.
Step 14	<b>interface</b> <i>interface-id</i>	Enter interface configuration mode for the interface to which you want to attach the policy.
Step 15	<b>service-policy output</b> <i>policy-map-name</i>	Attach the policy map (created in Step 3) to the egress interface.
Step 16	<b>end</b>	Return to privileged EXEC mode.
Step 17	<b>show policy-map</b>	Verify your entries.
Step 18	<b>copy running-config startup-config</b>	(Optional) Save your entries in the configuration file.

After you have created an output policy map, you attach it to an egress port. See the [“Attaching a Traffic Policy to an Interface”](#) section on page 34-44.

Use the **no** form of the appropriate command to delete an existing policy map or class map or to cancel the priority queuing or policing for the priority class or the bandwidth setting for the other classes.

This example shows how to use the **priority** with **police** commands to configure *out-class1* as the priority queue, with traffic going to the queue limited to 20000000 bps so that the priority queue never uses more than that. Traffic above that rate is dropped. The other traffic queues are configured as in the previous example.

```
Switch(config)# policy-map policy1
Switch(config-pmap)# class out-class1
Switch(config-pmap-c)# priority
Switch(config-pmap-c)# police 200000000
Switch(config-pmap-c)# exit
Switch(config-pmap)# class out-class2
Switch(config-pmap-c)# bandwidth percent 50
Switch(config-pmap-c)# exit
Switch(config-pmap)# class out-class3
Switch(config-pmap-c)# bandwidth percent 20
Switch(config-pmap-c)# exit
Switch(config-pmap)# exit
Switch(config)# interface gigabitethernet0/1
Switch(config-if)# service-policy output policy1
Switch(config-if)# exit
```

## Configuring Output Policy Maps with Weighted Tail Drop

Weighted tail drop (WTD) adjusts the queue size (buffer size) associated with a traffic class. You configure WTD by using the **queue-limit** policy-map class configuration command.

Follow these guidelines when configuring WTD:

- Configuring WTD with the **queue-limit** command is supported only when you first configure a scheduling action, such as **bandwidth**, **shape average**, or **priority**. The exception to this is when you are configuring **queue-limit** in the **class-default**.
- You can configure and attach as many output policy maps as there are ports. Multiple output policy maps can use the same queue-limit configuration. However, these policy maps can have only three unique queue-limit configurations.
- You can use the **queue-limit** command to configure the queue-limit for CPU-generated traffic.
- When you use the **queue-limit** command to configure queue thresholds for a class, the WTD thresholds must be less than or equal to the queue maximum threshold. A queue size configured with no qualifier must be larger than any queue sizes configured with qualifiers.
- You cannot configure more than two unique threshold values for the WTD qualifiers (**cos**, **dscp**, **precedence**, or **qos-group**) in the **queue-limit** command. However, there is no limit to the number of qualifiers that you can map to those thresholds. You can configure a third unique threshold value to set the maximum queue, using the **queue-limit** command with no qualifiers.
- A WTD qualifier in the **queue-limit** command must be the same as at least one **match** qualifier in the associated class map.
- In an output policy map, when you configure a queue-limit for a unique class, all other output policy maps must use the same format of qualifier type and qualifier value. Only queue-limit threshold values can be different. For example, when you configure class A queue-limit thresholds for **dscp 30** and **dscp 50** in *policy-map1*, and you configure class A queue-limits in policy-map 2, you must use **dscp 30** and **dscp 50** as qualifiers. You cannot use **dscp 20** and **dscp 40**. The threshold values can be different, but different threshold values would create a new unique queue-limit configuration.

Beginning in privileged EXEC mode, follow these steps to use WTD to adjust the queue size for a traffic class:

	Command	Purpose
Step 1	<b>configure terminal</b>	Enter global configuration mode.
Step 2	<b>policy-map</b> <i>policy-map-name</i>	Create a policy map by entering the policy map name, and enter policy-map configuration mode.
Step 3	<b>class</b> { <i>class-map-name</i>   <b>class-default</b> }	Enter a child class-map name, or <b>class-default</b> to match all unclassified packets, and enter policy-map class configuration mode. <ul style="list-style-type: none"> <li>• If you enter a class-map name, you must perform Step 4 to configure a scheduling action (<b>bandwidth</b>, <b>shape average</b>, or <b>priority</b>) before you go to Step 5 to configure queue-limit.</li> <li>• If you enter class-default, you can skip Step 4.</li> </ul>
Step 4	<b>bandwidth</b> { <i>rate</i>   <b>percent value</b>   <b>remaining percent value</b> } or <b>shape average</b> <i>target bps</i> or <b>priority</b>	Configure a scheduling action for the traffic class. For more information, see the <a href="#">“Configuring Output Policy Maps with Class-Based-Weighted-Queuing”</a> section on page 34-67, the <a href="#">“Configuring Output Policy Maps with Class-Based Shaping”</a> section on page 34-69, the <a href="#">“Configuring Output Policy Maps with Port Shaping”</a> section on page 34-70, or the <a href="#">“Configuring Output Policy Maps with Class-Based Priority Queuing”</a> section on page 34-71.



	Command	Purpose
Step 5	<b>queue-limit</b> [ <i>cos value</i>   <i>dot1ad dei value</i>   <i>dscp value</i>   <i>precedence value</i>   <i>qos-group value</i> ] <i>number-of-packets</i> [ <b>packets</b> ]	<p>Specify the queue size for the traffic class.</p> <ul style="list-style-type: none"> <li>• (Optional) For <b>cos value</b>, specify a CoS value. The range is from 0 to 7.</li> <li>• (Optional) For <b>dei value</b>, specify a DEI bit value. The range is from 0 to 1.</li> <li>• (Optional) For <b>dscp value</b>, specify a DSCP value. The range is from 0 to 63.</li> <li>• (Optional) For <b>precedence value</b>, specify an IP precedence value. The range is from 0 to 7.</li> <li>• (Optional) For <b>qos-group value</b>, enter a QoS group value. The range is from 0 to 99.</li> <li>• For <i>number-of-packets</i>, set the minimum threshold for WTD. The range is from 16 to 544, in multiples of 16, where each packet is a fixed unit of 256 bytes.</li> </ul> <p><b>Note</b> For optimal performance, we strongly recommend that you configure the queue-limit to 272 or less.</p> <p>The value is specified in packets by default, but the <b>packets</b> keyword is optional.</p> <p><b>Note</b> Multiple output policy maps can use the same queue-limit configuration. However these policy maps can have only three unique queue-limit configurations.</p>
Step 6	<b>exit</b>	Return to policy-map configuration mode.
Step 7	<b>exit</b>	Return to global configuration mode.
Step 8	<b>interface</b> <i>interface-id</i>	Enter interface configuration mode for the interface to which you want to attach the policy.
Step 9	<b>service-policy output</b> <i>policy-map-name</i>	<p>Attach the policy map (created in Step 2) to the egress interface.</p> <p><b>Note</b> If you try to attach an output policy map that contains a fourth queue-limit configuration, you see an error message, and the attachment is not allowed.</p>
Step 10	<b>end</b>	Return to privileged EXEC mode.
Step 11	<b>show policy-map</b> [ <i>policy-map-name</i> [ <b>class</b> <i>class-map-name</i> ]]	Verify your entries.
Step 12	<b>copy running-config startup-config</b>	(Optional) Save your entries in the configuration file.

After you have created an output policy map, you attach it to an egress port. See the “[Configuring Output Policy Maps](#)” section on page 34-65.

Use the **no** form of the appropriate command to delete an existing policy map or class map or to delete a WTD configuration.

This example shows a policy map with a specified bandwidth and queue size. Traffic that is not DSCP 30 or 10 is assigned a queue limit of 112 packets. Traffic with a DSCP value of 30 is assigned a queue-limit of 48 packets, and traffic with a DSCP value of 10 is assigned a queue limit of 32 packets. All traffic not belonging to the class traffic is classified into class-default, which is configured with 10 percent of the total available bandwidth and a large queue size of 256 packets.

```
Switch(config)# policy-map gold-policy
Switch(config-pmap)# class traffic
Switch(config-pmap-c)# bandwidth percent 50
Switch(config-pmap-c)# queue-limit 112
Switch(config-pmap-c)# queue-limit dscp 30 48
Switch(config-pmap-c)# queue-limit dscp 10 32
Switch(config-pmap-c)# exit
Switch(config-pmap)# exit
Switch(config-pmap)# class class-default
Switch(config-pmap-c)# bandwidth percent 10
Switch(config-pmap-c)# queue-limit 256
Switch(config-pmap-c)# exit
Switch(config-pmap)# exit
Switch(config)# interface gigabitethernet0/1
Switch(config-if)# service-policy output gold-policy
Switch(config-if)# exit
```

## Configuring QoS Classification for QinQ-Based Service

An ME 3400E switch supports port-based 802.1Q tunneling (QinQ) on tunnel or trunk ports and selective (VLAN-based) QinQ on trunk ports. See [Chapter 14, “Configuring IEEE 802.1Q Tunneling, VLAN Mapping, 802.1ad, and Layer 2 Protocol Tunneling.”](#)

Starting with Cisco IOS Release 12.2(53)SE, you can apply an ingress QoS classification on the customer packet that is tunneled into a service-provider 802.1Q tag (S-tag) and on the imposed S-tag on the QinQ port. You can classify on the customer packet tunneled into the S-tag based on the customer VLAN-ID (C-VLAN), the customer class of service (CoS) priority (C-CoS), the customer DSCP priority (C-DSCP), or multifield parameters (MAC-ACL and IP-ACL) in the incoming packet. You can also classify on the S-tag based on the service-provider VLAN (S-VLAN) or the service-provider CoS priority (S-CoS) of the packet.

As with any QoS classification, you create a class map by entering the **class-map** global configuration command and enter class-map configuration mode, where you use the **match** command to define the match criteria for the traffic. The incoming packets are compared to the class match criteria; packets matching the criteria are part of the class and are forwarded according to the QoS specifications in the traffic policy.

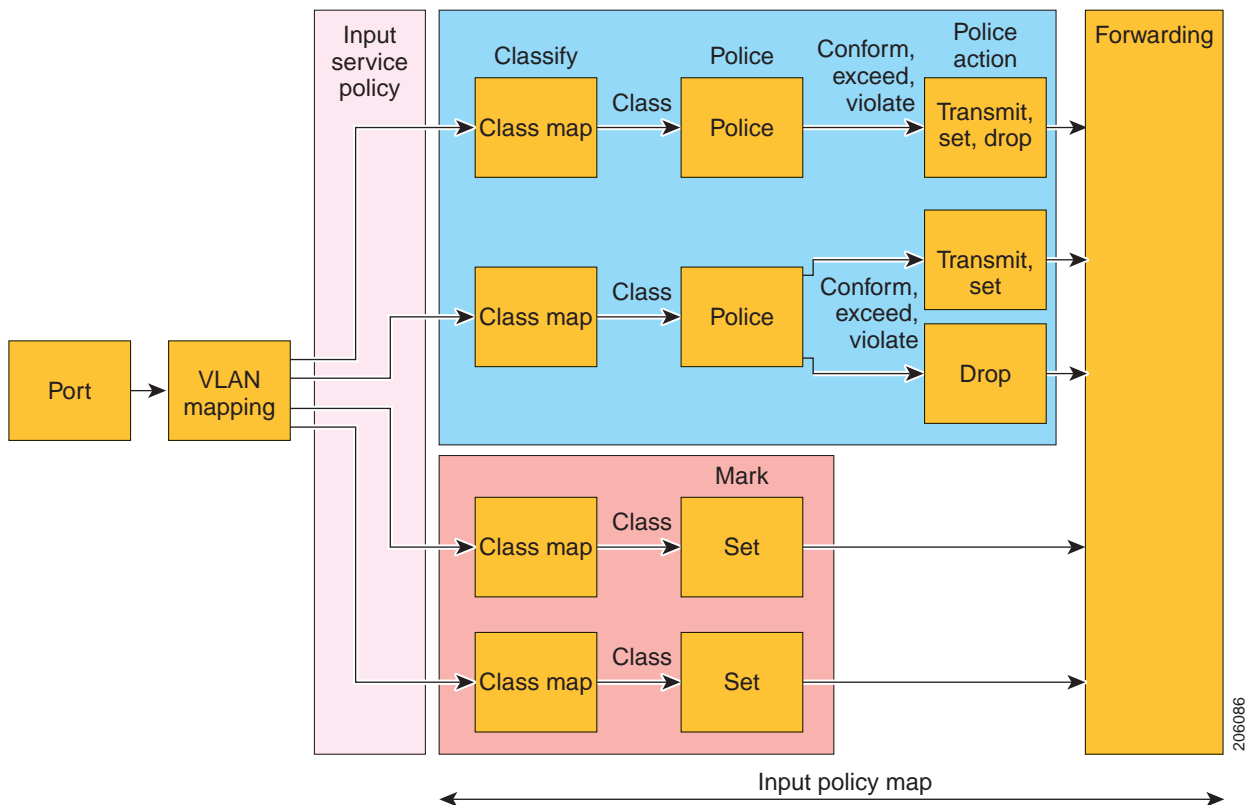
After classification, you can apply the ingress QoS functions of policing and marking to these packets. You create and name a policy map by using the **policy-map** global configuration command, naming the traffic class associated with the traffic policy, and specifying the action to take on all traffic in the class. You use the **service-policy** interface configuration command to attach the traffic policy to the port on which QinQ is configured.

## Configuration Guidelines

- C-VLAN refers to the customer VLAN (inner VLAN), S-VLAN refers to the service-provider VLAN (outer VLAN), C-CoS refers to the customer CoS value, and S-CoS refers to the service-provider CoS value.

- For VLAN-based classification on a port, you must apply a hierarchical QoS policy on the port. The hierarchical policy map supports a parent level and a child level. With the QoS parent-child structure, you can reference a child policy in a parent policy to specify that the classification and actions defined in the child policy should be executed within the context of the corresponding class in the parent policy map.
- For classification based only on a port (and not on VLAN-IDs), you can apply a nonhierarchical QoS policy on the port. The nonhierarchical policy has the same structure as a child policy.
- Classification based on C-VLAN and C-CoS applies only to QinQ packets formed as a result of the configured QinQ ports. For other ports, the configurations are allowed but do not function; that is, no packets match those classes.
- Ingress QoS classification of the packet occurs after VLAN-mapping operations, such as VLAN tunneling and translation, are performed. QoS actions, such as policing and marking of the packet, occur after QoS classification. See [Figure 34-8](#).

Figure 34-8 Ingress QoS Process



### Parent Policy-Map Guidelines

- You must specify classification based on S-VLAN and C-VLAN in the parent-level classes of the parent policy map. You can specify the VLAN match criteria only in parent-level-classes.
- A parent-level VLAN class specifies the VLANs on which to execute the corresponding child policy. Therefore, a child policy *must* be associated with the parent-level class. A parent-level (VLAN) class cannot exist without an associated child policy. Actions, such as policing and marking, cannot be directly associated with a parent-level class.

- In a parent-level class map, when you configure classification based only on the S-VLAN (the parent class map is configured with the logical-operation **match-any** and one or more **match vlan** commands), all packets matching *any* of those S-VLANs are associated with the corresponding child policy.
- In a parent-level class map, when you configure classification based only on the C-VLAN (the parent class map is configured with the logical-operation **match-any** and one or more **match vlan inner** commands), all packets matching *any* of those C-VLANs are associated with the corresponding child policy.
- In a parent-level class map, when you configure classification based on S-VLAN *and* C-VLAN (the parent class map is configured with the logical-operation **match-all** with one **match vlan** command and one **match vlan inner** command), all packets matching *both* of those VLANs (matching the S-VLAN and C-VLAN pair) are associated with the corresponding child policy.

In this case, both the **match vlan** and **match vlan inner** commands can match on single VLANs or a set of VLANs. When either or both of these commands are configured with a set of VLANs, the class map represents all combinations of S-VLAN-and-C-VLAN pairs possible with the configured S-VLANs and C-VLANs. For example, when a **match vlan** for a single VLAN is configured with a **match vlan inner** for a set of VLANs in a class map with the logical operation **match-all**, the class map matches all packets with the configured C-VLANs tunneled into the same S-VLAN.

- Classification based on multiple S-VLANs, C-VLANs, or S-VLAN-and-C-VLAN-pairs in a parent-level class map with the logical-operation **match-all** is *not* allowed because it is not a legitimate packet classification criterion.

### Child-Level and Nonhierarchical Policy-Map Guidelines

- A child-level policy map in a hierarchical policy map has the same structure and configuration guidelines as a nonhierarchical policy map. Both of these kinds of policy maps are called *child policy maps*, and the classes in these policy maps are called *child-level* classes.
- You must specify classification based on parameters (C-CoS, S-CoS, C-DSCP, and multifield flow classification) in the child-level classes. You *cannot* specify VLAN match criteria in the child-level-classes.
- Actions such as policing and marking are directly associated with a child-level class and are performed only on packets already classified by the associated parent class (if any) and child class.




---

**Note** QoS classification occurs after the VLAN-mapping operation (for example, tunneling) on the post-VLAN-mapped packet. During VLAN-mapping tunneling operation, the C-CoS is copied into the S-CoS. Therefore, classifying on an S-CoS-and-C-CoS pair in the post-VLAN-mapped packet is the same as classifying on either S-CoS or C-CoS.

---

- A child policy can include either Layer 2 classification criteria (**match cos**, **match cos inner**, and **match access-group** for a MAC-ACL) *or* Layer 3 classification criteria (**match ip dscp**, **match ip precedence**, and **match access-group** for an IP-ACL). If you specify both Layer 2 and Layer 3 classification criteria in a child policy map, the configuration is rejected.
- In a child-level class map, when you configure classification based only on S-CoS (the child class map is configured with the logical-operation **match-any** with one or more **match cos** commands), all packets matching *any* of the S-CoS values are associated with the corresponding action.
- In a child-level class map, when you configure classification based only on C-CoS (the child class map is configured with the logical-operation **match-any** with one or more **match cos inner** commands), all packets matching *any* of the C-CoS values are associated with the corresponding action.

- In a child-level class map, when you configure classification based on S-CoS and C-CoS (the child class map is configured with the logical-operation **match-all** with one **match cos** command and one **match cos inner** command), all packets matching *both* of the COS values (matching the S-CoS-and-C-CoS pair) are associated with the corresponding child policy.
- In a child-level class map, configuring classification based on multiple S-CoS or C-CoS values or S-CoS-and-C-CoS-pairs with the logical-operation **match-all** is *not* allowed because it is not a legitimate packet classification criteria.
- When a per-port policy or child-level policy in a per-port, per-VLAN policy is applied to QinQ packets on QinQ ports, you cannot configure the policy map with a MAC-ACL classification matching on a Layer 2 protocol.
- When a per-port policy or child-level policy in a per-port, per-VLAN policy is applied to QinQ packets on QinQ ports, you cannot configure the policy with an IP-ACL classification matching on Layer 4 ports, such as transport protocol TCP/UDP ports, or on any Layer 3 protocol types except TCP, UDP, and Stream Control Transmission Protocol (SCTP).
- You cannot associate a particular S-VLAN (**match vlan**) with these combinations of child policies at the same time across the switch:
  - A Layer 2 child policy (classifying on S-COS, C-COS, or MAC access group) *and* a Layer 3 child policy (classifying on DSCP, precedence, or IP access group).
  - A **class-default** child-policy *and* a Layer 3 child policy (classifying on DSCP, precedence, or IP access group).
- You cannot associate classes matching on only C-VLAN (**match vlan inner**) with these combinations of child policies at the same time across the switch:
  - A Layer 2 child policy (classifying on S-COS, C-COS, or MAC access group) *and* a Layer 3 child policy (classifying on DSCP, precedence, or IP access group).
  - A **class-default** child-policy *and* a Layer 3 child policy (classifying on DSCP, precedence, or IP access group),

## Configuring the QinQ Ports

You can configure port-based QinQ on an ingress port in one of two ways:

- Configure an 802.1Q tunneling port (all-to-one bundling). See the [“Configuring an 802.1Q Tunneling Port”](#) section on page 14-6.
- Configure traditional QinQ (all-to-one bundling) on a trunk port. See the [“Configuring Traditional QinQ on a Trunk Port”](#) section on page 14-11.
- You can also configure VLAN-based QinQ, or selective QinQ, on a trunk port. See the [“Configuring Selective QinQ on a Trunk Port”](#) section on page 14-12.

For more information about configuring tunnel ports, see [Chapter 14, “Configuring IEEE 802.1Q Tunneling, VLAN Mapping, 802.1ad, and Layer 2 Protocol Tunneling.”](#)

## Configuring Class Maps for QinQ Input Policy Maps

Follow these guidelines when configuring class maps for an input policy map for QinQ:

- A **match-all** or **match-any** class map with ACL match criteria (**match access-group**) cannot have more than one classification criterion (one match statement).
- A **match-all** class with DSCP or IP precedence match criteria cannot have more than one classification criterion (one match statement).

- You can use **match vlan** or **match vlan inner** match statements to match VLAN IDs. A **match-all** class map cannot have more than one **match vlan** classification criterion (match statement) or more than one **match vlan inner** classification criterion. However, a **match-all** class map can have one **match vlan** classification criterion and one **match vlan inner** classification criterion.
- You can use **match cos** or **match cos inner** match statements to match CoS values. A **match-all** class map cannot have more than one **match cos** classification criterion (match statement) or more than one **match cos inner** classification criterion. However, a **match-all** class map can have one **match cos** classification criterion and one **match cos inner** classification criterion.
- A **match-any** class map can have multiple match statements.
- You use a class map with the **match vlan** or **match vlan inner** command in the parent policy in input hierarchical policy maps for per-port, per-VLAN QoS on ports. A policy is considered a parent policy map when it has one or more of its classes associated with a child policy map. Each class within a parent policy map is called a parent class. You can configure only the **match vlan** or **match vlan inner** command in parent classes. You cannot configure the **match vlan** or **match vlan inner** command in classes within the child policy map.
- You use a class map with the **match ip dscp**, **match ip precedence**, **match access-group**, **match cos**, or **match cos inner** commands in a nonhierarchical policy or in the child policy of an input hierarchical policy map for per-port, per-VLAN QoS on ports. You cannot configure the **match ip dscp**, **match ip precedence**, **match access-group**, **match cos**, or **match cos inner** commands in the parent class of an input hierarchical policy map.
- For an input policy map, you cannot configure an IP classification (**match ip dscp**, **match ip precedence**, **match access-group** for an IP ACL) and a Layer 2 classification (**match cos**, **match cos inner**, or **match access-group** for a MAC ACL) in the same policy map or class map. For a per-port, per-VLAN hierarchical policy map, this applies to the child policy map.
- When a child policy is associated with a parent class that is classifying on the C-VLAN by using the **match vlan inner** command, you cannot configure the policy with a MAC-ACL classification matching on a Layer 2 protocol type.
- When a child policy is associated with a parent class that is classifying on the C-VLAN by using the **match vlan inner** command, you cannot configure the policy with an IP-ACL classification matching on Layer 4 ports, such as Transport protocol TCP/UDP ports, or on any Layer 3 protocol types except TCP, UDP and Stream Control Transmission Protocol (SCTP).
- You cannot configure **match qos-group** for an input policy map.
- The maximum number of class maps on the switch is 1024.

Beginning in privileged EXEC mode, follow these steps to create a class-level class-map and to define the match criteria to classify traffic for an input policy map. This procedure is required.

	Command	Purpose
Step 1	<b>configure terminal</b>	Enter global configuration mode.
Step 2	<b>class-map</b> [ <b>match-all</b>   <b>match-any</b> ] <i>class-map-name</i>	Create a class map, and enter class-map configuration mode. By default, no class maps are defined. If neither the <b>match-all</b> nor the <b>match-any</b> keyword is specified, the default is <b>match-all</b> .

Command	Purpose
<p>Step 3 <b>match</b> { <b>vlan</b> <i>vlan-id</i>   <b>vlan inner</b> <i>vlan-id</i> }</p> <p>or</p> <p>Step 3b <b>match</b> { <b>access-group</b> <i>acl-number-or-name</i>   <b>cos</b> <i>cos-list</i>   <b>cos inner</b> <i>cos-list</i>   <b>ip dscp</b> <i>dscp-list</i>   <b>ip precedence</b> <i>ip-precedence-list</i> }</p>	<p>Define the match criterion to classify traffic by VLAN. You can configure these match criteria only in the parent class map of a hierarchical policy-map. By default, no match criterion is defined.</p> <ul style="list-style-type: none"> <li>• Enter <b>vlan</b> <i>vlan-id</i> to match a packet based on the service-provider VLAN ID (S-VLAN). For QinQ, where an incoming customer packet is tunneled into an S-tag, this is the VLAN value in the imposed S-tag. For all other cases, this is the VLAN value in the incoming packet.</li> <li>• Enter <b>vlan inner</b> <i>vlan-id</i> to match a packet based on the C-VLAN, the inner customer VLAN ID of an 802.1Q tunnel. For QinQ, where an incoming customer packet is tunneled into an S-tag, this is the VLAN value in the incoming customer packet. For all other cases, this command has no effect.</li> </ul> <p>For <i>vlan-id</i>, you can specify a single VLAN identified by a VLAN number or a range of VLANs separated by a hyphen. The range is 1 to 4094.</p>
	<p>Define the match criterion to classify traffic by QoS per-hop-behavior markings (CoS and DSCP) or flows. You can configure these match criterion only in the child class map of a hierarchical policy map or in classes of a nonhierarchical policy map. By default, no match criterion is defined.</p> <ul style="list-style-type: none"> <li>• Enter <b>access-group</b> <i>acl-number-or-name</i> for multifield flow classification based on the IP ACL or MAC ACL of the incoming customer packet, regardless of whether the packet is tunneled into an S-tag (QinQ) or not. Enter the number or name of the ACL access group.</li> <li>• Enter <b>cos</b> <i>cos-list</i> to match a packet based on the service-provider CoS value (S-CoS). For QinQ, where an incoming packet is tunneled into an S-tag, this is the CoS value in the imposed S-tag. For all other cases, this is the CoS value in the incoming packet. You can specify up to four Layer 2 CoS values to match against the packet. Separate each value with a space. The range is 0 to 7.</li> <li>• Enter <b>cos inner</b> <i>cos-list</i> to match a packet based on the C-CoS, the inner (customer) CoS value of an 802.1Q tunnel. For QinQ, where an incoming packet is tunneled into an S-tag, this is the CoS value in the incoming customer packet. For all other cases, this command has no effect. You can specify up to four Layer 2 CoS values to match against the packet. Separate each value with a space. The range is 0 to 7.</li> <li>• Enter <b>ip dscp</b> <i>dscp-list</i> to match the DSCP value in the incoming customer packet, whether the packet is tunneled into an S-tag (QinQ) or not. You can specify up to eight IP DSCP values to match against the packet. Separate each value with a space. The range is 0 to 63.</li> <li>• Enter <b>ip precedence</b> <i>ip-precedence-list</i> to match the IP-precedence value in the incoming customer packet, whether the packet is tunneled into an S-tag (QinQ) or not. You can specify up to eight IP-precedence values to match against the packet. Separate each value with a space. The range is 0 to 7.</li> </ul> <p><b>Note</b> You cannot mix combinations of VLAN match criteria, per-hop-behavior match criteria, and flow match criteria within a class map.</p>

	Command	Purpose
Step 4	<b>end</b>	Return to privileged EXEC mode.
Step 5	<b>show class-map</b>	Verify your entries.
Step 6	<b>copy running-config startup-config</b>	(Optional) Save your entries in the configuration file.

To apply QoS policing and marking actions to the class, create and name a policy map by using the **policy-map** global configuration command to enter policy-map configuration mode. In this mode, enter the **class** command with the QinQ class map name, and then specify the action to take on all traffic in the class. See the “Configuring QoS” chapter in the ME 3400E software configuration guide for configuration details.

Then enter interface configuration mode for the ingress port on which QinQ is configured, and use the **service-policy input** interface configuration command to attach the traffic policy to the interface.

## Configuring Class Maps for QinQ Output Policy Maps

Follow these guidelines when configuring class maps for an output policy map for QinQ:

- You cannot configure **match access-group**, **match vlan**, **match vlan inner**, or **match cos inner** in an output policy map.
- A **match-all** class map containing DSCP, IP precedence, CoS, or qos-group match criteria cannot have more than one classification criterion (one match statement).
- A **match-any** class map can have multiple match statements.
- No two class maps can have the same classification criteria, that is, the same match qualifiers and values.
- The maximum number of class maps on the switch is 1024.

Beginning in privileged EXEC mode, follow these steps to create a class-level class-map and to define the match criterion to classify traffic for an output policy map. This procedure is required.

	Command	Purpose
Step 1	<b>configure terminal</b>	Enter global configuration mode.
Step 2	<b>class-map [match-all   match-any]</b> <i>class-map-name</i>	Create a class map, and enter class-map configuration mode. By default, no class maps are defined. If neither the <b>match-all</b> nor the <b>match-any</b> keyword is specified, the default is <b>match-all</b> .



	Command	Purpose
Step 3b	<b>match</b> { <b>cos</b> <i>cos-list</i> / <b>ip dscp</b> <i>dscp-list</i>   <b>ip precedence</b> <i>ip-precedence-list</i> / <b>qos-group</b> <i>value</i> }	<p>Define the match criteria to classify traffic by QoS per-hop-behavior markings (CoS and DSCP). You can configure these match criteria only in the child class map of a hierarchical policy map or in classes of a nonhierarchical policy map. By default, no match criterion is defined.</p> <ul style="list-style-type: none"> <li>• Enter <b>cos</b> <i>cos-list</i> to match a packet based on the CoS value in the outgoing packet. You can specify up to four Layer 2 CoS values. Separate each value with a space. The range is 0 to 7.</li> <li>• Enter <b>ip dscp</b> <i>dscp-list</i> to match the DSCP value in the outgoing packet. You can specify up to eight IP DSCP values. Separate each value with a space. The range is 0 to 63.</li> <li>• Enter <b>ip precedence</b> <i>ip-precedence-list</i> to match the IP-precedence value in the outgoing packet. You can specify up to eight IP-precedence values. Separate each value with a space. The range is 0 to 7.</li> <li>• Enter <b>qos-group</b> <i>value</i> to specify the QoS group number. The range is 0 to 99. QoS group matching is supported only in output policy maps.</li> </ul>
Step 3	<b>end</b>	Return to privileged EXEC mode.
Step 4	<b>show class-map</b>	Verify your entries.
Step 5	<b>copy running-config startup-config</b>	(Optional) Save your entries in the configuration file.

As with input policies, you then create and name a policy map by using the **policy-map** global configuration command to enter policy-map configuration mode. In this mode, enter the **class** command with the QinQ class map name, and then specify the action to be taken on all traffic in the class. See the “Configuring QoS” chapter in the ME 3400E software configuration guide for configuration details.

Then enter interface configuration mode for the egress port on which QinQ is configured and use the **service-policy output** interface configuration command to attach the traffic policy to the interface.

## Configuration Examples

### Example 1: C-DSCP-Based QoS Classification for Port-Based QinQ

This configuration produces these results:

- All customer traffic on Fast Ethernet port 0/1 is tunneled into an S-TAG with VLAN 100.
- The policy-map *uni-parent-policy* acts on all tagged and untagged customer traffic.
- Packets with a DSCP value of *ef* are classified by the class *voice-L3* and policed to 5 Mb.
- Packets with a DSCP value of *af41* are classified by the class *video-L3* and policed to 40 Mb to color the packets without dropping excess traffic.
- The DSCP value of all other packets is reset to *default 0*.

#### Child Class

```
Switch(config)# class-map match-any video-L3
Switch(config-cmap)# match ip dscp af41
Switch(config-cmap)# exit
Switch(config)# class-map match-any voice-L3
```

```
Switch(config-cmap) # match ip dscp ef
Switch(config-cmap) # exit
```

### Child Policy

```
Switch(config) # policy-map child-policy-3
Switch(config-pmap) # class voice-L3
Switch(config-pmap-c) # police cir 5000000
Switch(config-pmap-c-police) # conform-action set-dscp-transmit 5
Switch(config-pmap-c-police) # exceed-action drop
Switch(config-pmap-c-police) # exit
Switch(config-pmap-c) # exit
Switch(config-pmap) # class video-L3
Switch(config-pmap-c) # police cir 40000000
Switch(config-pmap-c-police) # conform-action set-dscp-transmit 4
Switch(config-pmap-c-police) # exceed-action set-dscp-transmit 1
Switch(config-pmap-c-police) # exit
Switch(config-pmap-c) # exit
Switch(config-pmap) # class class-default
Switch(config-pmap-c) # set dscp 0
Switch(config-pmap-c) # exit
```

### Parent Class

```
Switch(config) # class-map match-any internet-access
Switch(config-cmap) # match vlan 100
Switch(config-cmap) # exit
```

### Parent Policy

```
Switch(config) # policy-map uni-parent-policy
Switch(config-pmap) # class internet-access
Switch(config-pmap-c) # service-policy child-policy-3
Switch(config-pmap-c) # exit
```

### Interface

```
Switch(config) # interface fastethernet0/1
Switch(config-if) # switchport access vlan 100
Switch(config-if) # switchport mode dot1q-tunnel
Switch(config-if) # service-policy input uni-parent-policy
Switch(config-pmap-c) # exit
```

## Example 2: C-DSCP and C-CoS-Based QoS Classification for VLAN-Based QinQ

This configuration produces these results:

- Customer traffic on Fast Ethernet port 0/1 with C-VLAN 200 is tunneled into an S-TAG with S-VLAN 100.
- Customer traffic on Fast Ethernet port 0/1 with C-VLANs 210 to 220 is tunneled into an S-TAG with S-VLAN 110.
- Customer traffic on Fast Ethernet port 0/1 with C-VLANs 230 and 240 is tunneled into an S-TAG with S-VLAN 130.
- Customer traffic on Fast Ethernet port 0/1 with C-VLAN 241 is tunneled into an S-TAG with S-VLAN 131.
- Customer traffic on Fast Ethernet port 0/1 with C-VLAN 242 is tunneled into an S-TAG with S-VLAN 132.
- Customer traffic on Fast Ethernet port 0/1 with VLANs 133 to 150 is bridged normally with the same VLAN.

- After the above VLAN-mapping operation, policy-map *uni-parent-policy* acts on all single-tagged, double-tagged, and untagged packets.
- All packets with an S-VLAN of 100 and a C-VLAN of 200 (packets with C-VLAN 200 tunneled into S-VLAN 100) are classified by the class *L2-vpn* and subject to *child-policy-1*. In *child-policy-1*, the packets are classified by C-CoS in classes *voice-L2* and *video-L2*, and the specified policing and marking actions occur.
- All packets with an S-VLAN of 110 and a C-VLAN in the range of 210 to 220 (packets with C-VLANs 210 to 220 tunneled into S-VLAN 110) are classified by the class *voice-gateway* and subject to *child-policy-2*. In *child-policy-1*, the packets are classified by C-CoS in the classes *voice-L2* and *video-L2*, and the specified policing and marking actions occur.
- All packets with an S-VLAN in the range 130 to 132 and a C-VLAN of 230 or in the range of 240 to 242 (packets with C-VLANs 230, 240 to 242 tunneled into any one of the S-VLANs 130, 131, 132) are classified by the class *internet-access* and subject to *child-policy-3*. In *child-policy-3*, the packets are classified by C-DSCP in the classes *voice-L3* and *video-L3*, and the specified policing and marking actions occur.

### Child Class

```
Switch(config)# class-map match-any video-L2
Switch(config-cmap)# match cos inner 3
Switch(config-cmap)# exit
```

```
Switch(config)# class-map match-any voice-L2
Switch(config-cmap)# match cos inner 5
Switch(config-cmap)# exit
```

```
Switch(config)# class-map match-any video-L3
Switch(config-cmap)# match ip dscp af41
Switch(config-cmap)# exit
```

```
Switch(config)# class-map match-any voice-L3
Switch(config-cmap)# match ip dscp ef
Switch(config-cmap)# exit
```

### Child Policy

```
Switch(config)# policy-map child-policy-1
Switch(config-pmap)# class voice-L2
Switch(config-pmap-c)# police cir 10000000 bc 50000
Switch(config-pmap-c-police)# conform-action set-cos-transmit 5
Switch(config-pmap-c-police)# exceed-action drop
Switch(config-pmap-c-police)# exit
Switch(config-pmap-c)# exit
Switch(config-pmap)# class video-L2
Switch(config-pmap-c)# set cos 4
Switch(config-pmap-c)# exit
Switch(config-pmap)# class class-default
Switch(config-pmap-c)# set cos 0
Switch(config-pmap-c)# exit
```

```
Switch(config)# policy-map child-policy-2
Switch(config-pmap)# class voice-L2
Switch(config-pmap-c)# police cir 5000000 bc 50000
Switch(config-pmap-c-police)# conform-action set-cos-transmit 6
Switch(config-pmap-c-police)# exceed-action drop
Switch(config-pmap-c-police)# exit
Switch(config-pmap-c)# exit
Switch(config-pmap)# class video-L2
Switch(config-pmap-c)# set cos 3
Switch(config-pmap-c)# exit
```

```

Switch(config-pmap)# class class-default
Switch(config-pmap-c)# set cos 0
Switch(config-pmap-c)# exit

Switch(config)# policy-map child-policy-3
Switch(config-pmap)# class voice-L3
Switch(config-pmap-c)# police cir 5000000
Switch(config-pmap-c-police)# conform-action set-dscp-transmit 5
Switch(config-pmap-c-police)# exceed-action drop
Switch(config-pmap-c-police)# exit
Switch(config-pmap-c)# exit
Switch(config-pmap)# class video-L3
Switch(config-pmap-c)# police cir 40000000
Switch(config-pmap-c-police)# conform-action set-dscp-transmit 4
Switch(config-pmap-c-police)# exceed-action set-dscp-transmit 1
Switch(config-pmap-c-police)# exit
Switch(config-pmap-c)# exit
Switch(config-pmap)# class class-default
Switch(config-pmap-c)# set dscp 0
Switch(config-pmap-c)# exit

```

### Parent Class

```

Switch(config)# class-map match-all L2-vpn
Switch(config-cmap)# match vlan 100
Switch(config-cmap)# match vlan inner 200
Switch(config-cmap)# exit

Switch(config)# class-map match-all voice-gateway
Switch(config-cmap)# match vlan 110
Switch(config-cmap)# match vlan inner 210-220
Switch(config-cmap)# exit

Switch(config)# class-map match-all internet-access
Switch(config-cmap)# match vlan 130-132
Switch(config-cmap)# match vlan inner 230, 240-242
Switch(config-cmap)# exit

```

### Parent Policy

```

Switch(config)# policy-map uni-parent-policy
Switch(config-pmap)# class L2-vpn
Switch(config-pmap-c)# service-policy child-policy-1
Switch(config-pmap-c)# exit
Switch(config-pmap)# class voice-gateway
Switch(config-pmap-c)# service-policy child-policy-2
Switch(config-pmap-c)# exit
Switch(config-pmap)# class internet-access
Switch(config-pmap-c)# service-policy child-policy-3
Switch(config-pmap-c)# exit

```

### Interface

```

Switch(config)# interface fastethernet0/1
Switch(config-if)# switchport mode trunk
Switch(config-if)# switchport trunk allowed vlan 100, 110, 130-150
Switch(config-if)# switchport vlan mapping 200 dot1q-tunnel 100
Switch(config-if)# switchport vlan mapping 210-220 dot1q-tunnel 110
Switch(config-if)# switchport vlan mapping 230 dot1q-tunnel 130
Switch(config-if)# switchport vlan mapping 240 dot1q-tunnel 130
Switch(config-if)# switchport vlan mapping 241 dot1q-tunnel 131
Switch(config-if)# switchport vlan mapping 242 dot1q-tunnel 132
Switch(config-if)# service-policy input uni-parent-policy
Switch(config-if)# exit

```

## Configuring 802.1ad QoS

QinQ is a Cisco-proprietary system to enable double-tagging to provide VLAN scalability in the provider network. The 802.1ad standard uses protocols to solve VLAN scalability in provider networks. As with QinQ, data traffic entering from the customer interface is tagged with a service-provider tag. The customer frame crosses the provider network with two tags: the inner tag is the customer tag (C-tag) and the outer tag is the service-provider tag (S-tag). Control packets appear as data inside the provider network.

For more information about 802.1ad, see the [“Configuring IEEE 802.1ad” section on page 14-13](#).

In an 802.1ad frame, the Canonical Format Indicator (CFI) bit is replaced by a drop precedence bit called the drop eligibility indicator (DEI). When this bit has a value of 1, the packet is more susceptible to being dropped during queuing operation at the egress port of the provider bridge. You can use QoS to classify, mark, police, or queue-limit a packet, based on the DEI bit:

- Ingress classification based on the DEI bit.

Classify incoming packets on an 802.1ad port by using per-port or per-port-per-VLAN policies containing **match dot1ad dei** statements under **match-all** or **match-any** class maps.

- Ingress marking of the DEI bit.

You can mark the DEI bit of an incoming 802.1ad packet by using the **set dot1ad dei** policy-map class configuration command in ingress policy maps.

- Policing the incoming packets and setting the DEI bit based on the policer conform, exceed, or violate action.

When you attach a policer to an 802.1ad port, the policer monitors the rate of the incoming packets. It can mark the DEI bit of these packets depending on whether a packet conforms, exceeds, or violates the policing rate.

- Egress classification based on the DEI bit.

When you configure a class in an ingress policy map with DEI marking, QoS labels allocated based on the DEI bit are used to classify packets on the egress side. You can use **bandwidth**, **priority**, **queue-limit**, or **shape average** policy-map class configuration commands for output policy maps.

- Queue-limit operation using the DEI bit.

You can associate queue thresholds on egress queues with the DEI bit value of the outgoing packets using the **queue-limit dot1ad dei** policy-map class configuration command in egress policy maps.

To use the DEI bit, enable 802.1ad on the port by entering the **ethernet dot1ad { nni | uni { c-port | s-port | c-port isolate | s-port isolate } }** interface configuration command.

## Guidelines and Limitations

- C-UNI ports can both classify and mark on the DEI bit.
- S-UNI ports can classify and mark on the DEI bit of either the default S-tag on the port or the S-tagged packet received from the customer port.
- You cannot classify or mark on the DEI bit on ports that were configured as 802.1ad split-horizon ports (by entering the **ethernet dot1ad uni { c-port isolate | s-port isolate }** interface configuration command).
- S-NNI ports can both classify and mark on the DEI bit.
- You get an error message when you mark or classify on ports that are not 802.1ad-enabled.

- You cannot classify on the DEI bit and any Layer 3 field, such as IP precedence or IP DSCP, in the same class map.
- You can use **cos** and **cos inner** together in a **match-all** classification only when there is a **match dot1ad dei** statement in the class. A **match-all** class can contain a maximum of two match statements. The only valid combinations are **match dot1ad dei** and **match cos** or **match dot1ad dei** and **match cos inner**.
- You cannot classify on Layer 4 source and destination ports, Layer 4 flags, and MAC Ethertype when you classify on DEI.
- For aggregate policers, DEI and DSCP are mutually exclusive.
- You can have only one type of queue-limit statement in an egress policy class map.
- CVLAN classification is allowed only when the CVLAN is included in a tunnel on the interface.
- A **match vlan *vlan id1*** and **match vlan inner *vlan id2*** classification combination is allowed in a **match-all** parent class of a per-port per-VLAN policy only when this pair is configured in a tunnel on the interface.

## Configuration Examples

### Example 1: Match on DEI and CoS, and Set DEI (match any)

#### Policy Map

```
Switch(config)# class-map match-any match-dei-cos-0
Switch(config-cmap)# match dot1ad dei 0
Switch(config-cmap)# match cos 0
Switch(config-cmap)# exit
```

```
Switch(config)# class-map match-any match-dei-cos-1
Switch(config-cmap)# match dot1ad dei 1
Switch(config-cmap)# match cos inner 1
Switch(config-cmap)# exit
```

```
Switch(config)# policy-map match-dei-cos
Switch(config-pmap)# class match-dei-cos-0
Switch(config-pmap-c)# set dot1ad dei 1
Switch(config-pmap-c)# exit
Switch(config-pmap)# class match-dei-cos-1
Switch(config-pmap-c)# set dot1ad dei 0
Switch(config-pmap-c)# exit
Switch(config-pmap)# exit
```

#### Interface (Dot1ad S-NNI Port)

```
Switch(config)# interface gigabitethernet0/1
Switch(config-if)# ethernet dot1ad nni
Switch(config-if)# switchport mode trunk
Switch(config-if)# switchport
Switch(config-if)# service-policy input match-dei-cos
```

### Example 2: Per-Port Per-VLAN Policy Maps, Policing

#### Policy Map

```
Switch(config)# class-map match-any match-dei-0
Switch(config-cmap)# match dot1ad dei 0
Switch(config-cmap)# exit
```

```
Switch(config)# class-map match-any match-dei-1
Switch(config-cmap)# match dot1ad dei 1
Switch(config-cmap)# exit
```

```
Switch(config)# class-map match-all vlan-100-200
Switch(config-cmap)# match vlan 100
Switch(config-cmap)# match vlan inner 200
Switch(config-cmap)# exit
```

#### Submode policing:

```
Switch(config)# policy-map child-policy
Switch(config-pmap)# class match-dei-0
Switch(config-pmap-c)# police cir 5000000 pir 10000000
Switch(config-pmap-c-police)# exceed-action set-dot1ad-dei-transmit 1
Switch(config-pmap-c-police)# violate-action drop
Switch(config-pmap-c-police)# exit
Switch(config-pmap-c)# exit
```

#### Single-line mode policing:

```
Switch(config-pmap)# class match-dei-1
Switch(config-pmap-c)# police cir 5000000 bc 50000 be 100000 conform-action
set-dot1ad-dei-transmit 0 exceed-action drop
Switch(config-pmap-c-police)# exit
Switch(config-pmap-c)# exit
Switch(config-pmap)# exit
```

```
Switch(config)# policy-map uni-parent-policy
Switch(config-pmap)# class vlan-100-200
Switch(config-pmap-c)# service-policy child-policy
Switch(config-pmap-c)# exit
Switch(config-pmap)# exit
```

#### Interface (Dot1ad S-NNI Port)

```
Switch(config)# interface gigabitethernet0/1
Switch(config-if)# ethernet dot1ad nni
Switch(config-if)# switchport mode trunk
Switch(config-if)# switchport
Switch(config-if)# switchport trunk allowed vlan 100
Switch(config-if)# service-policy input uni-parent-policy
```

### Example 3: Aggregate Policer in a Per Port Policy:

#### Policy Map

```
Switch(config)# policer aggregate pol-dei-0 cir 5000000 bc 50000 be 100000 exceed-action
set-dot1ad-dei-transmit 1 violate-action drop
Switch(config)# policer aggregate pol-dei-1 cir 5000000 bc 50000 be 100000 conform-action
set-dot1ad-dei-transmit 0 exceed-action drop
```

```
Switch(config)# class-map match-any match-dei-0
Switch(config-cmap)# match dot1ad dei 0
Switch(config-cmap)# exit
```

```
Switch(config)# class-map match-any match-dei-1
Switch(config-cmap)# match dot1ad dei 1
Switch(config-cmap)# exit
```

```
Switch(config)# policy-map match-dei
Switch(config-pmap)# class match-dei-0
Switch(config-pmap-c)# police aggregate pol-dei-0
Switch(config-pmap-c)# exit
```

```
Switch(config-pmap) # class match-dei-1
Switch(config-pmap-c) # police aggregate pol-dei-1
Switch(config-pmap-c) # exit
Switch(config-pmap) # exit
```

#### Interface (Dot1ad S-NNI Port)

```
Switch(config) # interface gigabitethernet 0/1
Switch(config-if) # ethernet dot1ad nni
Switch(config-if) # switchport mode trunk
Switch(config-if) # switchport
Switch(config-if) # service-policy input match-dei
```

#### Example 4: Output Policy Map 3 (Queue Limit):

In this example, dei 0 is mapped to the queue depth of 32 packets, cos 0 is mapped to queue depth 64, and the remaining packets (cos 1 and cos 2) have a queue depth of 112. This is within the 50 percent output bandwidth restriction. The **class class-default** gets the remaining 50 percent of the output bandwidth.

#### Policy Map

```
Switch(config) # class-map match-any match-cos
Switch(config-cmap) # match cos 0 1 2
Switch(config-cmap) # exit

Switch(config) # policy-map out-policy
Switch(config-pmap) # class match-cos
Switch(config-pmap-c) # bandwidth percent 50
Switch(config-pmap-c) # queue-limit 112
Switch(config-pmap-c) # queue-limit dot1ad dei 0 32
Switch(config-pmap-c) # queue-limit dot1ad dei 1 64
Switch(config-pmap-c) # exit
Switch(config-pmap) # exit
```

#### Interface (Dot1ad S-NNI Port)

```
Switch(config) # interface gigabitethernet 0/2
Switch(config-if) # ethernet dot1ad nni
Switch(config-if) # switchport mode trunk
Switch(config-if) # switchport
Switch(config-if) # service-policy output out-policy
Switch(config-if) # exit
```

## Configuring QoS Marking and Queuing for CPU-Generated Traffic

Beginning in privileged EXEC mode, follow these steps to configure marking and queuing of CPU-generated traffic. This procedure is optional.

	Command	Purpose
Step 1	<b>configure terminal</b>	Enter global configuration mode.
Step 2	Configure global table maps	Refer to the “Configuring Table Maps” section on page 34-43.



	Command	Purpose
Step 3	<b>cpu traffic qos cos</b> { <i>cos-value</i>   <b>cos</b> [ <b>table-map</b> <i>table-map-name</i> ]   <b>dscp</b> [ <b>table-map</b> <i>table-map-name</i> ]   <b>prec</b> [ <b>table-map</b> <i>table-map-name</i> ] }	<p>Mark traffic by setting a new CoS value or by specifying a table map.</p> <ul style="list-style-type: none"> <li>For <i>cos-value</i>, enter a new CoS value. The range is from 0 to 7.</li> <li>You can also mark CoS based on the CoS, DSCP, or IP-precedence value. You can optionally use a table map to configure CoS. If you do not enter <b>table-map</b> <i>table-map-name</i>, the table map default behavior is <b>copy</b>. See the “<a href="#">Table Maps</a>” section on page 34-15.</li> </ul> <p>When you complete this step, go to Step 7.</p>
Step 4	<b>cpu traffic qos dscp</b> { <i>dscp_value</i>   <b>cos</b> [ <b>table-map</b> <i>table-map-name</i> ]   <b>dscp</b> [ <b>table-map</b> <i>table-map-name</i> ]   <b>prec</b> [ <b>table-map</b> <i>table-map-name</i> ] }	<p>Mark traffic by setting a new DSCP value or by specifying a table map.</p> <ul style="list-style-type: none"> <li>For <b>dscp</b> <i>new-dscp</i>, enter a new DSCP value for the classified traffic. The range is 0 to 63.</li> <li>You can also configure a table map to mark DSCP based on the CoS, DSCP, or IP-precedence value. You can optionally enter the table name. If you do not enter <b>table-map</b> <i>table-map-name</i>, the table map default behavior is <b>copy</b>. See the “<a href="#">Table Maps</a>” section on page 34-15.</li> <li>For additional DSCP classification options, see the “<a href="#">Classification Based on IP DSCP</a>” section on page 34-9.</li> </ul> <p>When you complete this step, go to Step 7.</p>
Step 5	<b>cpu traffic qos precedence</b> { <i>precedence_value</i>   <b>cos</b> [ <b>table-map</b> <i>table-map-name</i> ]   <b>dscp</b> [ <b>table-map</b> <i>table-map-name</i> ]   <b>prec</b> [ <b>table-map</b> <i>table-map-name</i> ] }	<p>Mark traffic by setting a new precedence value or by specifying a table map.</p> <ul style="list-style-type: none"> <li>For <b>precedence</b> <i>new-precedence</i>, enter a new IP-precedence value as a number from 0 to 7 or by name: <b>routine (0)</b>, <b>priority (1)</b>, <b>immediate (2)</b>, <b>flash (3)</b>, <b>flash-override (4)</b>, <b>critical (5)</b>, <b>internet (6)</b>, <b>network (7)</b>.</li> <li>You can also configure a table map to mark precedence based on the CoS, DSCP, or IP-precedence value. You can optionally enter the table name. If you do not enter <b>table-map</b> <i>table-map-name</i>, the table map default behavior is <b>copy</b>. See the “<a href="#">Table Maps</a>” section on page 34-15.</li> </ul> <p>When you complete this step, go to Step 7.</p>
Step 6	<b>cpu traffic qos qos-group</b> <i>qos-group-value</i>	<p>Mark traffic by using a QoS group.</p> <p>For <i>qos-group-value</i>, identify a QoS group to use at egress. The range is 0 to 99.</p> <p>When you complete this step, go to Step 7.</p>
Step 7	<b>end</b>	Return to privileged EXEC mode.
Step 8	Configure output policy maps to map QoS markings like COS, IP DSCP, IP precedence and QoS group to class queues, configure queuing and scheduling	Refer to the “ <a href="#">Configuring Output Policy Maps</a> ” section on page 34-65.
Step 9	<b>copy running-config startup-config</b>	(Optional) Save your entries in the configuration file.
Step 10	<b>show running-config</b>	Display the configured class maps, policy maps, table maps, and CPU traffic QoS settings.

	Command	Purpose
Step 11	<b>show cpu traffic qos</b>	Display the QoS marking values for CPU-generated traffic.
Step 12	<b>show table-map</b> [ <i>table-map-name</i> ]	Display information for all table maps or the specified table map.
Step 13	<b>show policy-map</b> [ <i>policy-map-name</i>   <b>interface</b> [ <i>interface-id</i> ] [ <b>output</b> ] [ <b>class class-name</b> ]]	Display QoS policy map information for the specified policy map name, interface, input or output policy maps, or policy-map class.

To disable any command, use the **no** form of the command.

## Configuration Examples QoS Marking and Queuing for CPU-Generated Traffic

### Example 1

This example shows how to configure egress queuing based on the DSCP value of CPU-generated IP packets.

- All CPU-generated IP traffic queues on the egress port, based on its IP DSCP value, and the configured output policy map *output-policy*.
- All IP SLA or TWAMP probes with the DSCP value *ef* to simulate voice traffic are assigned to the *voice* class.
- All IP SLA or TWAMP probes with the DSCP values *af41*, *af42* and *af43* to simulate video traffic are assigned to the *video* class.
- All IP control protocol traffic with the DSCP values 48 and 56 are assigned to the *network-internet-control* class.
- The rest of the IP traffic is assigned to the default class.
- All CPU-generated non-IP traffic is statically mapped to a fixed queue on the egress port.
- All CFM traffic is queued to the default class because there is no class based on CoS.

```
Switch(config)# cpu traffic qos dscp dscp
```

#### Class:

```
Switch(config)# class-map match-any video  
Switch(config-cmap)# match ip dscp af41 af42 af43  
Switch(config-cmap)# exit
```

```
Switch(config)# class-map match-any voice  
Switch(config-cmap)# match ip dscp ef  
Switch(config-cmap)# exit
```

```
Switch(config)# class-map match-any network-internet-control  
Switch(config-cmap)# match ip dscp 48 56  
Switch(config-cmap)# exit
```

#### Policy:

```
Switch(config)# policy-map output-policy  
Switch(config-pmap)# class voice  
Switch(config-pmap-c)# priority  
Switch(config-pmap-c)# police cir 10000000  
Switch(config-pmap-c)# exit  
Switch(config-pmap)# class video  
Switch(config-pmap-c)# bandwidth percent 40  
Switch(config-pmap-c)# exit
```

```
Switch(config-pmap) # class network-internetwork-control
Switch(config-pmap-c) # bandwidth percent 10
Switch(config-pmap-c) # exit
Switch(config-pmap) # class class-default
Switch(config-pmap-c) # bandwidth percent 30
Switch(config-pmap-c) # exit
```

### Interface

```
Switch(config) # interface fastethernet0/1
Switch(config-if) # service-policy output output-policy
Switch(config-pmap-c) # exit
```

### Example 2

This example shows how to mark the CoS of CPU-generated IP traffic (including IP-SLA and TWAMP) based on the DSCP value in the packet and to configure egress queuing based on the CoS value.

- All CPU-generated IP traffic queues on the egress port, based on the IP DSCP value and the configured output policy map called *output-policy*.
- All IP SLA or TWAMP probes with the DSCP value *ef* to simulate voice traffic are assigned to the *voice* class.
- All IP SLA or TWAMP probes with the DSCP values *af41*, *af42* and *af43* to simulate video traffic are assigned to the *video* class.
- All IP control protocol traffic with the DSCP values 48 and 56 are assigned to the *network-internetwork-control* class.
- The rest of the IP traffic is assigned to the default class.
- All CPU-generated non-IP traffic with CoS 5 is assigned to the *voice* class.
- All CPU-generated non-IP traffic with CoS 3 is assigned to the *video* class.
- All CPU-generated non-IP traffic with CoS 6 and 7 is assigned to the *network-internetwork-control* class.
- All CFM traffic with CoS 5 is assigned to the *voice* class.
- All CFM traffic with CoS 3 is assigned to the *video* class.
- All CFM traffic with CoS 6 and 7 is assigned to the *network-internetwork-control* class.

### Table Map:

```
Switch(config) # table-map dscp-to-cos
Switch(config-tablemap) # map from 46 to 5
Switch(config-tablemap) # map from 48 to 6
Switch(config-tablemap) # map from 56 to 7
Switch(config-tablemap) # map from af41 to 3
Switch(config-tablemap) # map from af42 to 3
Switch(config-tablemap) # map from af43 to 3
Switch(config-tablemap) # default 0
Switch(config-tablemap) # end
```

### CPU QoS:

```
Switch(config) # cpu traffic qos cos dscp table-map dscp-to-cos
Switch(config) # cpu traffic qos cos cos
```

### Class:

```
Switch(config) # class-map match-any video
Switch(config-cmap) # match cos 3
```

```
Switch(config-cmap) # exit

Switch(config) # class-map match-any voice
Switch(config-cmap) # match cos 5
Switch(config-cmap) # exit

Switch(config) # class-map match-any network-internet-control
Switch(config-cmap) # match cos 6 7
Switch(config-cmap) # exit
```

**Policy:**

```
Switch(config) # policy-map output-policy
Switch(config-pmap) # class voice
Switch(config-pmap-c) # priority
Switch(config-pmap-c) # police cir 10000000
Switch(config-pmap-c) # exit
Switch(config-pmap) # class video
Switch(config-pmap-c) # bandwidth percent 40
Switch(config-pmap-c) # exit
Switch(config-pmap) # class network-internet-control
Switch(config-pmap-c) # bandwidth percent 10
Switch(config-pmap-c) # exit
Switch(config-pmap) # class class-default
Switch(config-pmap-c) # bandwidth percent 30
Switch(config-pmap-c) # exit
```

**Interface**

```
Switch(config) # interface fastethernet0/1
Switch(config-if) # service-policy output output-policy
Switch(config-pmap-c) # exit
```

**Example 3**

This example shows how to:

- Mark the DSCP value of CPU-generated IP traffic (including IP-SLA and TWAMP) based on the DSCP value in the packet.
- Mark the CoS of CPU-generated IP traffic (including IP-SLA and TWAMP) based on the DSCP value in the packet.
- Mark the CoS of CPU-generated non-IP traffic based on the CoS value in the packet.
- Mark all CPU-generated traffic with the QoS group.
- Configure egress queuing based on the QoS group.

The example has these results:

- All CPU-generated IP traffic with DSCP values 46, 48, and 56 retains the existing markings.
- For all other CPU-generated IP packets, the DSCP value is reset to 0.
- All CPU-generated IP traffic with DSCP values 46, 48, and 56 is mapped to the corresponding CoS values of 5, 6, and 7 respectively.
- For all other CPU-generated IP packets, the CoS value resets to 0.
- All CPU-generated non-IP traffic with the CoS values of 5, 6, and 7 retain the existing markings.
- For all other CPU-generated non-IP packets, the CoS value resets to 0.

- All CPU-generated traffic goes through a single class called *cpu-traffic*. The *user-voice* classes *user-voice* and *user-video* are reserved for user traffic. As a result, CPU traffic and user traffic are separated into different queues on the egress port.

### Table Map

```
Switch(config)# table-map dscp-to-cos
Switch(config-tablemap)# map from 46 to 5
Switch(config-tablemap)# map from 48 to 6
Switch(config-tablemap)# map from 56 to 7
Switch(config-tablemap)# default 0
Switch(config-tablemap)# end
```

```
Switch(config)# table-map dscp-to-dscp
Switch(config-tablemap)# map from 46 to 46
Switch(config-tablemap)# map from 48 to 48
Switch(config-tablemap)# map from 56 to 56
Switch(config-tablemap)# default 0
Switch(config-tablemap)# end
```

```
Switch(config)# table-map cos-to-cos
Switch(config-tablemap)# map from 5 to 5
Switch(config-tablemap)# map from 6 to 6
Switch(config-tablemap)# map from 7 to 7
Switch(config-tablemap)# default 0
Switch(config-tablemap)# end
```

### CPU QoS:

```
Switch(config)# cpu traffic qos dscp dscp table-map dscp-to-dscp
Switch(config)# cpu traffic qos cos dscp table dscp-to-cos
Switch(config)# cpu traffic qos cos cos table cos-to-cos
Switch(config)# cpu traffic qos qos-group 50
```

### Class:

```
Switch(config)# class-map match-any cpu-traffic
Switch(config-cmap)# match qos-group 50
Switch(config-cmap)# exit
```

```
Switch(config)# class-map match-any user-video
Switch(config-cmap)# match cos 3
Switch(config-cmap)# exit
```

```
Switch(config)# class-map match-any user-voice
Switch(config-cmap)# match cos 5
Switch(config-cmap)# exit
```

### Policy:

```
Switch(config)# policy-map output-policy
Switch(config-pmap)# class user-voice
Switch(config-pmap-c)# priority
Switch(config-pmap-c)# police cir 10000000
Switch(config-pmap-c)# exit
Switch(config-pmap)# class user-video
Switch(config-pmap-c)# bandwidth percent 40
Switch(config-pmap-c)# exit
Switch(config-pmap)# class cpu-traffic
Switch(config-pmap-c)# bandwidth percent 10
Switch(config-pmap-c)# exit
Switch(config-pmap)# class class-default
Switch(config-pmap-c)# bandwidth percent 30
Switch(config-pmap-c)# exit
```

**Interface:**

```
Switch(config)# interface fastethernet0/1
Switch(config-if)# service-policy output output-policy
Switch(config-pmap-c)# exit
```

## Displaying QoS Information

To display QoS information, use one or more of the privileged EXEC commands in [Table 34-2](#). For explanations about available keywords, see the command reference for this release.

**Table 34-2** Commands for Displaying Standard QoS Information

Command	Purpose
<b>show class-map</b> [ <i>class-map-name</i> ]	Display QoS class-map information for all class maps or the specified class map.
<b>show policer aggregate</b> [ <i>aggregate-policer-name</i> ]	Display information about all aggregate policers or the specified aggregate policer.
<b>show policy-map</b> [ <i>policy-map-name</i>   <b>interface</b> [ <i>interface-id</i> ] [ <b>input</b>   <b>output</b> ] [ <b>class</b> <i>class-name</i> ]]	Display QoS policy map information for the specified policy map name, interface, input or output policy maps, or policy-map class.
<b>show cpu traffic qos</b>	Display the QoS marking values for CPU-generated traffic.
<b>show running-config</b>	Display the configured class maps, policy maps, table maps, and aggregate policers.
<b>show table-map</b> [ <i>table-map-name</i> ]	Display information for all configured table maps or the specified table map.

To test full-path QoS in both directions on an interface, you can configure Ethernet terminal loopback by entering the **ethernet loopback facility** interface configuration command. In terminal loopback mode, the port appears to be up but the link is actually down and no packets are sent out. Configuration changes on the port immediately affect the traffic being looped back. For information about Ethernet terminal loopback, see the [“Enabling Ethernet Loopback”](#) section on page 43-43.

## QoS Statistics

There are several ways to display QoS input and output policy-map statistics.

For input policy maps, you can use the **show policy-map interface** [*interface-id*] privileged EXEC command to display per-class per-policer conform and exceed statistics. Policer conform statistics are the number of packets that conform to the configured policer profile; policer exceed statistics are the number of packets that exceed the configured policer profile. The switch does not support per-class classification statistics, but you can determine these statistics by configuring policing at line rate for the class. In this case, no packets exceed the configured policer profile, and the policer conform statistics would equal the class classification statistics.

This output also includes byte-level statistics for conform, exceed, and violate classes.

Another way to view input QoS statistics is in the output of the **show platform qos statistics interface** [*interface-id*] privileged EXEC command. The per-port frame statistics are sorted by the DSCP and CoS values of the incoming frames on the port. These statistics do not provide any information about the MQC input policy map configured on the interface.

For output policy maps, you can use the **show policy-map interface** *[interface-id]* command to display per-class classification statistics that show the total number of packets that match the specified class. This count includes the total number of packets that are sent and dropped for that class. You can use the same command to view the per-class tail drop statistics.

## Configuration Examples for Policy Maps

This section includes configuration examples for configuring QoS policies on the Cisco ME switch, including configuration limitations and restrictions. The sections are broken into different configurations actions that a customer might do. Each section provides the exact sequence of steps that you must follow for successful configuration or modification.

- [QoS Configuration for Customer A, page 34-99](#)
- [QoS Configuration for Customer B, page 34-101](#)
- [Modifying Output Policies and Adding or Deleting Classification Criteria, page 34-102](#)
- [Modifying Output Policies and Changing Queuing or Scheduling Parameters, page 34-103](#)
- [Modifying Output Policies and Adding or Deleting Configured Actions, page 34-103](#)
- [Modifying Output Policies and Adding or Deleting a Class, page 34-104](#)

### QoS Configuration for Customer A

This section provides examples of the initial configuration and activation of QoS policies for a customer switch. Input and output QoS service policies are configured based on the requirements and attached to relevant ports.

In the initial configuration for Customer A, Fast Ethernet ports 1 through 24 are user network interfaces (UNIs) and are disabled by default. Gigabit Ethernet ports 1 and 2 are network node interfaces (NNIs) and are enabled by default.

This is the overall sequence for initial configuration:

- Configure classes and policies.
- Shut down all active ports.
- Attach policies to ports to be activated.
- Take the ports out of the shut-down state.
- Leave unused ports shut down.

Note these restrictions for configuring output policies:

- You can define up to three classes in the output policy map.
- The defined classes must be the same as other output policy maps.
- The number of defined classes in each output policy map must be same.
- You must assign an action to each class; that is, there can be no empty class.
- Each class configuration must be based on the classification/marketing done in the input policy-map.

This example configures classes for input service policies and defines three classes of service: gold, silver, and bronze. Because a **match-all** classification (the default) can have only single classification criterion, the **match-any** classification is used so that you can add classification criteria in the future.

```
Switch# config terminal
Switch(config)# class-map match-any gold-in
Switch(config-cmap)# match ip dscp af11
Switch(config-cmap)# exit
Switch(config)# class-map match-any silver-in
Switch(config-cmap)# match ip dscp af21
Switch(config-cmap)# exit
Switch(config)# class-map match-any bronze-in
Switch(config-cmap)# match ip dscp af31
Switch(config-cmap)# exit
```

This example shows how to configure an input policy map that marks the gold class and polices the silver class to 50 Mb/s and the bronze class to 20 Mb/s.

```
Switch(config)# policy-map input-all
Switch(config-pmap)# class gold-in
Switch(config-pmap-c)# set ip dscp af43
Switch(config-pmap-c)# exit
Switch(config-pmap)# class silver-in
Switch(config-pmap-c)# police 50000000
Switch(config-pmap)# class bronze-in
Switch(config-pmap-c)# police 20000000
Switch(config-pmap-c)# exit
```

This example configures classes for output service policies with three classes of service: gold, silver, and bronze. The gold class is configured to match the marked value in the input service policy. Because a **match-all** classification (the default) can have only single classification criterion, the **match-any** classification is used so that you can add classification criteria in the future.

```
Switch# config terminal
Switch(config)# class-map match-any gold-out
Switch(config-cmap)# match ip dscp af43
Switch(config-cmap)# exit
Switch(config)# class-map match-any silver-out
Switch(config-cmap)# match ip dscp af21
Switch(config-cmap)# exit
Switch(config)# class-map match-any bronze-out
Switch(config-cmap)# match ip dscp af31
Switch(config-cmap)# exit
```

This example configures one output service policy to be applied to both Gigabit Ethernet NNIs, providing priority with rate-limiting to the gold class, class-based shaping for the silver class, and a minimum bandwidth guarantee of 10 percent to the bronze class.

```
Switch(config)# policy-map output-g1-2
Switch(config-pmap)# class gold-out
Switch(config-pmap-c)# priority
Switch(config-pmap-c)# police 50000000
Switch(config-pmap-c)# exit
Switch(config-pmap)# class silver-out
Switch(config-pmap-c)# shape average 200000
Switch(config-pmap-c)# exit
Switch(config-pmap)# class bronze-out
Switch(config-pmap-c)# bandwidth percent 10
Switch(config-pmap-c)# exit
```



This example configures a second output service policy to be applied to Fast Ethernet UNIs 1 to 8, providing strict priority to the gold class and distributing the remaining bandwidth in the desired proportions over the remaining classes.

```
Switch(config)# policy-map output1-8
Switch(config-pmap)# class gold-out
Switch(config-pmap-c)# priority
Switch(config-pmap-c)# exit
Switch(config-pmap)# class silver-out
Switch(config-pmap-c)# bandwidth remaining percent 50
Switch(config-pmap-c)# exit
Switch(config-pmap)# class bronze-out
Switch(config-pmap-c)# bandwidth remaining percent 20
Switch(config-pmap-c)# exit
```

This example attaches the input and output service policies to the Gigabit Ethernet ports and activates them.

```
Switch(config)# interface range gigabitethernet0/1-2
Switch(config-if-range)# service-policy input input-all
Switch(config-if-range)# service-policy output output-g1-2
Switch(config-if-range)# no shutdown
Switch(config-if-range)# exit
```

This example attaches the input and output service policies to Fast Ethernet ports 1 to 8 and activates them.

```
Switch(config)# interface range fastethernet0/1 - 8
Switch(config-if-range)# service-policy input input-all
Switch(config-if-range)# service-policy output output1-8
Switch(config-if-range)# no shutdown
Switch(config-if-range)# exit
```

## QoS Configuration for Customer B

This section provides examples for configuring and activating QoS policies on the switch for a new set of customers without affecting the current customers. Input and output QoS service policies are configured based on the requirements and attached to relevant ports. The example uses an existing input policy-map and configures a new output policy map for the new customers.

In the initial configuration for Customer B, Fast Ethernet ports 1 through 8 are UNIs and are active. Fast Ethernet ports 9 through 24 are UNIs and are shut down. Gigabit Ethernet ports 1 and 2 are NNIs and are enabled by default.

This is the overall sequence of initial configuration:

- Define any new required output policies.
- Attach input and output policies to ports to be activated.
- Take the ports out of the shut-down state.

Note these restrictions when configuring output policies:

- You can define up to three classes in the output policy map.
- The defined classes must be the same as other output policy maps.
- The number of defined classes in each output policy map must be same.
- You must assign an action to each class; that is, there can be no empty class.
- Each class configuration must be based on the classification/marketing done in the input policy-map.

This example configures a third output service policy to be attached to Fast Ethernet UNIs 9 through 12, providing a minimum guaranteed bandwidth of 50 Mb/s to the gold class, 20 Mb/s to the silver class, and 10 Mb/s to the bronze class:

```
Switch(config)# policy-map output9-12
Switch(config-pmap)# class gold-out
Switch(config-pmap-c)# bandwidth 50000
Switch(config-pmap-c)# exit
Switch(config-pmap)# class silver-out
Switch(config-pmap-c)# bandwidth 20000
Switch(config-pmap-c)# exit
Switch(config-pmap)# class bronze-out
Switch(config-pmap-c)# bandwidth 10000
Switch(config-pmap-c)# exit
```

This example attaches the output policy for Fast Ethernet ports 9 through 12 and activates the ports:

```
Switch# config terminal
Switch(config)# interface range fastethernet0/9-12
Switch(config-if-range)# service-policy input input-all
Switch(config-if-range)# service-policy output output9-12
Switch(config-if-range)# no shutdown
Switch(config-if-range)# exit
```

## Modifying Output Policies and Adding or Deleting Classification Criteria

This section provides examples of updating an existing set of output policy maps to add or delete classification criteria. The modification might be required due to a change in the service provisioning requirements or a change in the input service policy map. You can make the change without shutting down any port.

In the initial configuration, Fast Ethernet ports 1 through 12 are UNIs and are active. Fast Ethernet ports 13 through 24 are UNIs and are shut down. Gigabit Ethernet ports 1 and 2 are NNIs and are enabled by default.

This is the overall sequence of initial configuration:

- Change the configured class map for an input service policy.
- Change the configured class map for an output service policy.

This example modifies classes for an input service policy by adding classification criteria to the silver-in class to also match dscp cs5. This is required for the output policy-map to match to dscp cs5.

```
Switch(config)# class-map match-any silver-in
Switch(config-cmap)# match ip dscp af21
Switch(config-cmap)# match ip dscp cs5
Switch(config-cmap)# exit
```

This example modifies classes for an output service policy, adding classification criteria to the silver-out class to also match dscp cs5. This adds dscp cs5 to the silver-out class on all configured and attached output service policies. The dscp cs5 flow now receives the same queuing and scheduling treatment as the silver-out class.

```
Switch# config terminal
Switch(config)# class-map match-any silver-out
Switch(config-cmap)# match ip dscp af21
Switch(config-cmap)# match ip dscp cs5
Switch(config-cmap)# exit
```

You should use the same procedure when deleting a match statement associated with a configured class.

## Modifying Output Policies and Changing Queuing or Scheduling Parameters

This section provides examples of updating an existing set of output policy maps to modify the parameters of the configured queuing and scheduling actions. The modification in the output policy map might be required due to a change in the service provisioning requirements. You can make the change without shutting down any port.

In the initial configuration, Fast Ethernet ports 1 through 12 are UNIs and are active. Fast Ethernet ports 13 through 24 are UNIs and are shut down. Gigabit Ethernet ports 1 and 2 are NNIs and are enabled by default.

The requirement is to change the action parameters.

Note these restrictions when configuring output policies:

- You can define up to three classes in the output policy map.
- The defined classes must be the same as other output policy maps.
- The number of defined classes in each output policy map must be same.
- You must assign an action to each class; that is, there can be no empty class.
- Each class configuration must be based on the classification or marking done in the input policy-map.

This example modifies the third output service policy servicing Fast Ethernet UNIs 8 through 12 by providing minimum guaranteed bandwidth of 40 Mb/s to the gold class (changed from 50 Mb/s), 30 Mb/s to the silver class (changed from 20 Mb/s), and 20 Mb/s to the bronze class (changed from 10 Mbps).

```
Switch(config)# policy-map output9-12
Switch(config-pmap)# class gold-out
Switch(config-pmap-c)# bandwidth 40000
Switch(config-pmap-c)# exit
Switch(config-pmap)# class silver-out
Switch(config-pmap-c)# bandwidth 30000
Switch(config-pmap-c)# exit
Switch(config-pmap)# class bronze-out
Switch(config-pmap-c)# bandwidth 20000
Switch(config-pmap-c)# exit
```

## Modifying Output Policies and Adding or Deleting Configured Actions

This section provides examples of updating an existing set of output policy maps to add or delete queuing and scheduling actions. The modification in the output policy map might be required due to a change in the service provisioning requirements. You can make the change without shutting down ports that are not configured with the output policy map to be modified. But you must shut down the ports that are configured with that output policy map. Customers not using this output policy map are not affected.

In the initial configuration, Fast Ethernet ports 1 through 12 are UNIs and are active. Fast Ethernet ports 13 through 24 are UNIs and are shut down. Gigabit Ethernet ports 1 and 2 are NNIs and are enabled by default.

This is the overall sequence of configuration:

- Shut down all active ports carrying the policy to be modified.
- Detach the output policy from all ports to which it is attached.
- Make modifications to the output policy.

- Reattach the output policy to the appropriate ports.
- Take the ports out of the shutdown state.

Note these restrictions for configuring output policies:

- You can define up to three classes in the output policy map.
- The defined classes must be the same as other output policy maps.
- The number of defined classes in each output policy map must be same.
- You must assign an action to each class; that is, there can be no empty class.
- Each class configuration must be based on the classification/marketing done in the input policy-map.

These steps shut down all ports carrying the output policy, in this case only the Gigabit Ethernet ports.

```
Switch(config)# interface range gigabitEthernet0/1-2
Switch(config-if-range)# shutdown
Switch(config-if-range)# exit
```

These steps detach the output policy to be modified, in this case the one configured on the Gigabit Ethernet ports:

```
Switch(config)# interface range gigabitEthernet0/1-2
Switch(config-if-range)# no service-policy output output-g1-2
Switch(config-if-range)# exit
```

These steps modify the output service policy servicing the Gigabit Ethernet NNIs. Instead of providing a minimum bandwidth guarantee of 10 percent to the bronze class, the policy is modified to provide class-based shaping to 100000 bps.

```
Switch(config)# policy-map output-g1-2
Switch(config-pmap)# class bronze-out
Switch(config-pmap-c)# no bandwidth percent 10
Switch(config-pmap-c)# shape average 100000
Switch(config-pmap-c)# exit
```

These steps reattach the output policy to the Gigabit Ethernet ports:

```
Switch(config)# interface range gigabitEthernet0/1-2
Switch(config-if-range)# service-policy output output9-12
Switch(config-if-range)# exit
```

These steps activate all Gigabit Ethernet ports:

```
Switch(config)# interface range gigabitEthernet0/1-2
Switch(config-if-range)# no shutdown
Switch(config-if-range)# exit
```

## Modifying Output Policies and Adding or Deleting a Class

This section provides examples of updating an existing set of output policy maps to add or delete entire classes. The modification in the output policy map might be required due to a change in the service provisioning requirements or a change in the input service policy. To make this change, you must shut down all active ports on the switch. For this kind of update to any output policy map, all customers could potentially be affected. To avoid this, we recommend that you consider possible future upgrades when you configure classes in output service policies.

In the initial configuration, Fast Ethernet ports 1 through 12 are UNIs and are active. Fast Ethernet ports 13 through 24 are UNIs and are shut down. Gigabit Ethernet ports 1 and 2 are NNIs and are enabled by default.

This is the overall sequence of configuration:

- Shut down all active ports.
- Detach the output policies from all Fast Ethernet and Gigabit Ethernet ports.
- Delete the class.
- Reattach the output policies to the Fast Ethernet and Gigabit Ethernet ports.
- Take the Fast Ethernet and Gigabit Ethernet ports out of the shutdown state.

These steps shut down all active and applicable Fast Ethernet and Gigabit Ethernet ports:

```
Switch(config)# interface range gigabitethernet0/1-2, fastethernet0/1-12
Switch(config-if-range)# shutdown
Switch(config-if-range)# exit
```

These steps detach all output policies from the affected Fast Ethernet and Gigabit Ethernet ports:

```
Switch(config)# interface range fastethernet0/1-8
Switch(config-if-range)# no service-policy output output1-8
Switch(config-if-range)# exit
```

```
Switch(config)# interface range fastethernet0/9-12
Switch(config-if-range)# no service-policy output output9-12
Switch(config-if-range)# exit
```

```
Switch(config)# interface range gigabitethernet0/1-2
Switch(config-if-range)# no service-policy output output-g1-2
Switch(config-if-range)# exit
```

These steps delete a class from all output policy maps and input policy maps; the input policy can be left attached or can be detached:

```
Switch(config)# policy-map output1-8
Switch(config-pmap)# no class bronze-out
Switch(config-pmap-c)# exit
Switch(config)# policy-map output9-12
Switch(config-pmap)# no class bronze-out
Switch(config-pmap-c)# exit
Switch(config)# policy-map output-g1-2
Switch(config-pmap)# no class bronze-out
Switch(config-pmap-c)# exit
Switch(config)# policy-map input-all
Switch(config-pmap)# no class bronze-in
Switch(config-pmap-c)# exit
```

These steps reattach all policies to the Fast Ethernet and Gigabit Ethernet ports:

```
Switch(config)# interface range fastethernet0/1-8
Switch(config-if-range)# service-policy output output1-8
Switch(config-if-range)# exit
```

```
Switch(config)# interface range fastethernet0/9-12
Switch(config-if-range)# service-policy output output9-12
Switch(config-if-range)# exit
```

```
Switch(config)# interface range gigabitethernet0/1-2
Switch(config-if-range)# service-policy output output9-12
Switch(config-if-range)# exit
```

These steps activate all applicable Fast Ethernet and Gigabit Ethernet ports:

```
Switch(config)# interface range gigabitethernet0/1-2, fastethernet0/1-12
Switch(config-if-range)# no shutdown
Switch(config-if-range)# exit
```

You should use the same procedure when adding a class to an attached output service policy.



#### Note

---

Problems can occur if you do not follow the previous sequence.

---

When a policy map is attached to an interface, all traffic that does not explicitly match the configured class maps within the policy map should go through the default queue (class **class-default**). However, in some cases, traffic that does not explicitly match the output policy-map classes could go through more than one queue. This queuing problem can occur when you do not follow the previous procedure and do not attach an output policy to all active ports.

For example, consider this case where only two ports are configured with an output policy and we want to delete a class in the output policy.

Shut down two ports:

```
Switch(config)# interface range fastethernet0/1-2
Switch(config-if-range)# shutdown
Switch(config-if-range)# exit
```

Detach the output policy from both ports:

```
Switch(config)# interface range fastEthernet0/1-2
Switch(config-if)# no service-policy output output1-2
Switch(config-if)# exit
```

Delete a class in the output policy:

```
Switch(config)# policy-map output1-2
Switch(config-pmap)# no class bronze-out
Switch(config-pmap-c)# exit
```

Attach the output policy to only one port and not to the other:

```
Switch(config)# interface FastEthernet0/1
Switch(config-if)# service-policy output output1-2
Switch(config-if)# exit
```

Enable both ports:

```
Switch(config)# interface range fastethernet0/1-2
Switch(config-if-range)# no shutdown
Switch(config-if-range)# exit
```

At this point, when traffic leaves Fast Ethernet port 2, instead of going through a single default-queue, it goes through the same number of queues as there are classes defined in the output policy-map attached to Fast Ethernet port 1. In this case, it would be three. In some cases, packets for a flow out of Fast Ethernet port 2 might be reordered if a flow splits across more than one queue. You can avoid this problem by leaving ports in a shut-down state until you attach an output policy.



# CHAPTER 35

## Configuring EtherChannels and Link-State Tracking

---

This chapter describes how to configure EtherChannels on Layer 2 and Layer 3 ports on the Cisco ME 3400E Ethernet Access switch. EtherChannel provides fault-tolerant high-speed links between switches, routers, and servers. You can use it to increase the bandwidth between the wiring closets and the data center, and you can deploy it anywhere in the network where bottlenecks are likely to occur. EtherChannel provides automatic recovery for the loss of a link by redistributing the load across the remaining links. If a link fails, EtherChannel redirects traffic from the failed link to the remaining links in the channel without intervention. This chapter also describes how to configure link-state tracking.



### Note

For complete syntax and usage information for the commands used in this chapter, see the command reference for this release.

---

- [Understanding EtherChannels, page 35-1](#)
- [Configuring EtherChannels, page 35-9](#)
- [Displaying EtherChannel, PAgP, and LACP Status, page 35-22](#)
- [Understanding Link-State Tracking, page 35-22](#)
- [Configuring Link-State Tracking, page 35-24](#)
- [Displaying Link-State Tracking Status, page 35-25](#)

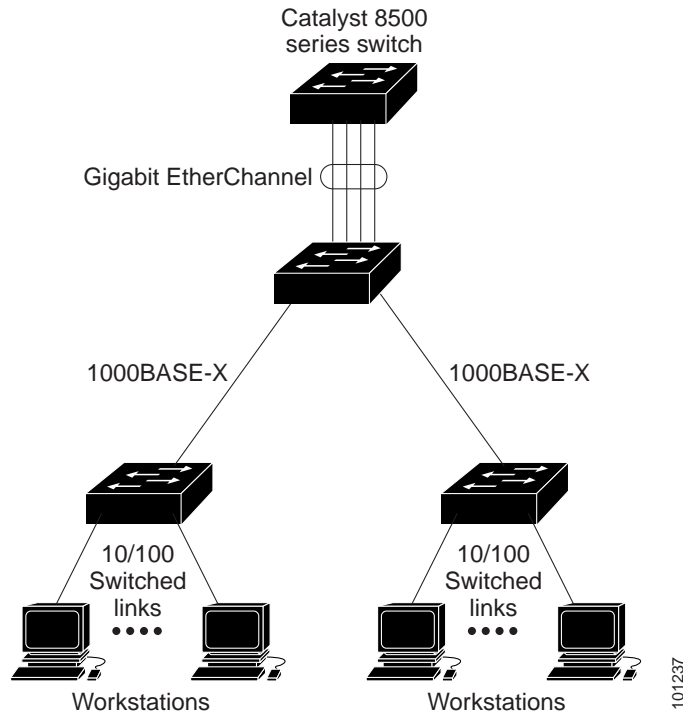
## Understanding EtherChannels

- [EtherChannel Overview, page 35-2](#)
- [Port-Channel Interfaces, page 35-3](#)
- [Port Aggregation Protocol, page 35-4](#)
- [Link Aggregation Control Protocol, page 35-6](#)
- [EtherChannel On Mode, page 35-7](#)
- [Load Balancing and Forwarding Methods, page 35-7](#)

## EtherChannel Overview

An EtherChannel consists of individual Fast Ethernet or Gigabit Ethernet links bundled into a single logical link as shown in [Figure 35-1](#).

**Figure 35-1** Typical EtherChannel Configuration



The EtherChannel provides full-duplex bandwidth of up to 800 Mbps between your switch and another switch or host for Fast EtherChannel on a switch with 24 Fast Ethernet ports. For Gigabit EtherChannel, you can configure up to 8 Gbps (8 ports of 1 Gbps), depending on the number of supported Gigabit Ethernet interfaces.



### Note

Only network node interfaces (NNIs) and enhanced network interfaces (ENIs) support Link Aggregation Control Protocol (LACP) or Port Aggregation Protocol (PAgP). Use the **port-type {eni | nni}** interface configuration command to configure a port as an ENI or NNI. The switch must be running the metro IP access image to allow configuring of more than four ports as NNIs.

Each EtherChannel can consist of up to eight compatibly configured Ethernet ports. All ports in each EtherChannel must be configured as either Layer 2 or Layer 3 ports. The number of EtherChannels is limited to 48. For more information, see the [“EtherChannel Configuration Guidelines”](#) section on [page 35-10](#). The EtherChannel Layer 3 ports are made up of routed ports. Routed ports are physical ports configured to be in Layer 3 mode by using the **no switchport** interface configuration command. For more information, see the [Chapter 10, “Configuring Interfaces.”](#)



You can configure an EtherChannel in one of these modes: Port Aggregation Protocol (PAgP), Link Aggregation Control Protocol (LACP), or On mode. PAgP and LACP are available only on NNIs and ENIs. Configure both ends of the EtherChannel in the same mode:

- When you configure one end of an EtherChannel in either PAgP or LACP mode, the system negotiates with the other end of the channel to determine which ports should become active. Incompatible ports are suspended.
- When you configure an EtherChannel in the **on** mode, no negotiations take place. The switch forces all compatible ports to become active in the EtherChannel. The other end of the channel (on the other switch) must also be configured in the **on** mode; otherwise, packet loss can occur.

The local port is put into an independent state and continues to carry data traffic as would any other single link. The port configuration does not change, but the port does not participate in the EtherChannel.

If a link within an EtherChannel fails, traffic previously carried over that failed link changes to the remaining links within the EtherChannel. A trap is sent for a failure, identifying the switch, the EtherChannel, and the failed link. Inbound broadcast and multicast packets on one link in an EtherChannel are blocked from returning on any other link of the EtherChannel.

## Port-Channel Interfaces

When you create an EtherChannel, a port-channel logical interface is involved:

- With Layer 2 ports, use the **channel-group** interface configuration command to dynamically create the port-channel logical interface.

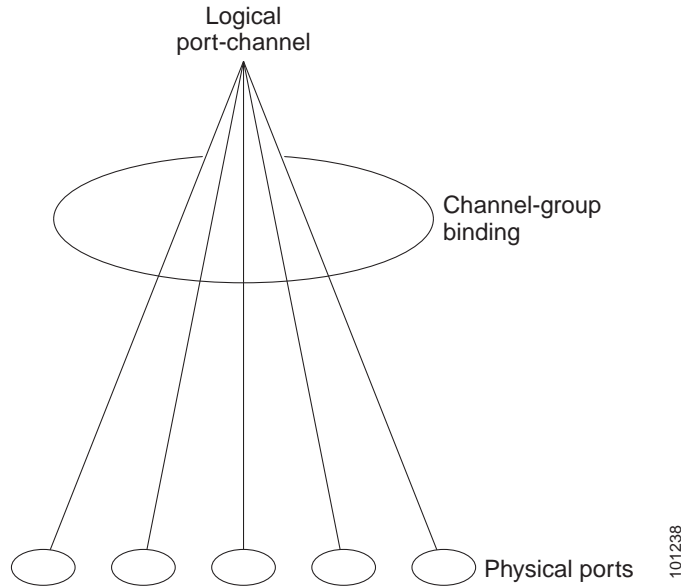
You also can use the **interface port-channel** *port-channel-number* global configuration command to manually create the port-channel logical interface, but then you must use the **channel-group** *channel-group-number* command to bind the logical interface to a physical port. The *channel-group-number* can be the same as the *port-channel-number*, or you can use a new number. If you use a new number, the **channel-group** command dynamically creates a new port channel.

- With Layer 3 ports, you should manually create the logical interface by using the **interface port-channel** global configuration command followed by the **no switchport** interface configuration command. Then you manually assign an interface to the EtherChannel by using the **channel-group** interface configuration command.

For both Layer 2 and Layer 3 ports, the **channel-group** command binds the physical port and the logical interface together as shown in [Figure 35-2](#).

Each EtherChannel has a port-channel logical interface numbered from 1 to 48. This port-channel interface number corresponds to the one specified with the **channel-group** interface configuration command.

**Figure 35-2 Relationship of Physical Ports, Logical Port Channels, and Channel Groups**



After you configure an EtherChannel, configuration changes applied to the port-channel interface apply to all the physical ports assigned to the port-channel interface. Configuration changes applied to the physical port affect only the port to which you apply the configuration. To change the parameters of all ports in an EtherChannel, apply the configuration commands to the port-channel interface.

## Port Aggregation Protocol

The Port Aggregation Protocol (PAgP) is a Cisco-proprietary protocol that can be run only on Cisco switches and on those switches licensed by vendors to support PAgP. PAgP facilitates the automatic creation of EtherChannels by exchanging PAgP packets between Ethernet ports.



### Note

PAgP is only available on network node interfaces (NNIs) and enhanced network interfaces (ENIs).

By using PAgP, the switch learns the identity of partners capable of supporting PAgP and the capabilities of each port. It then dynamically groups similarly configured ports into a single logical link (channel or aggregate port). Similarly configured ports are grouped based on hardware, administrative, and port parameter constraints. For example, PAgP groups the ports with the same speed, duplex mode, native VLAN, VLAN range, and trunking status and type. After grouping the links into an EtherChannel, PAgP adds the group to the spanning tree as a single switch port.

## PAGP Modes

Table 35-1 shows the user-configurable EtherChannel PAGP modes for the **channel-group** interface configuration command on an NNI or ENI.

**Table 35-1** EtherChannel PAGP Modes

Mode	Description
<b>auto</b>	Places a port into a passive negotiating state in which the port responds to PAGP packets it receives but does not start PAGP packet negotiation. This setting minimizes the transmission of PAGP packets.
<b>desirable</b>	Places a port into an active negotiating state in which the port starts negotiations with other ports by sending PAGP packets.

Switch ports exchange PAGP packets only with partner ports configured in the **auto** or **desirable** modes. Ports configured in the **on** mode do not exchange PAGP packets.

Both the **auto** and **desirable** modes enable ports to negotiate with partner ports to form an EtherChannel based on criteria such as port speed and, for Layer 2 EtherChannels, trunking state and VLAN numbers.

Ports can form an EtherChannel when they are in different PAGP modes as long as the modes are compatible. For example:

- A port in the **desirable** mode can form an EtherChannel with another port that is in the **desirable** or **auto** mode.
- A port in the **auto** mode can form an EtherChannel with another port that is in the **desirable** mode.

A port in the **auto** mode cannot form an EtherChannel with another port that is also in the **auto** mode because neither port starts PAGP negotiation.

If your switch is connected to a partner that is PAGP-capable, you can configure the switch port for nonsilent operation by using the **non-silent** keyword. If you do not specify **non-silent** with the **auto** or **desirable** mode, silent mode is assumed.

Use the silent mode when the switch is connected to a device that is not PAGP-capable and seldom, if ever, sends packets. An example of a silent partner is a file server or a packet analyzer that is not generating traffic. In this case, running PAGP on a physical port connected to a silent partner prevents that switch port from ever becoming operational. However, the silent setting allows PAGP to operate, to attach the port to a channel group, and to use the port for transmission.

## PAGP Interaction with Other Features

Cisco Discovery Protocol (CDP) sends and receives packets over the physical ports in the EtherChannel.



**Note** PAGP and CDP are only available on NNIs and ENIs. User network interfaces (UNIs) do not support PAGP or CDP.

Trunk ports send and receive PAGP protocol data units (PDUs) on the lowest numbered VLAN.

In Layer 2 EtherChannels, the first port in the channel that comes up provides its MAC address to the EtherChannel. If this port is removed from the bundle, one of the remaining ports in the bundle provides its MAC address to the EtherChannel.

PAGP sends and receives PAGP PDUs only from ports that are up and have PAGP enabled for the auto or desirable mode.

## Link Aggregation Control Protocol

The LACP is defined in IEEE 802.3ad standard and enables Cisco switches to manage Ethernet channels between switches that conform to the standard. LACP facilitates the automatic creation of EtherChannels by exchanging LACP packets between Ethernet ports.



Note

LACP is available only on NNIs and ENIs.

By using LACP, the switch learns the identity of partners capable of supporting LACP and the capabilities of each port. It then dynamically groups similarly configured ports into a single logical link (channel or aggregate port). Similarly configured ports are grouped based on hardware, administrative, and port parameter constraints. For example, LACP groups the ports with the same speed, duplex mode, native VLAN, VLAN range, and trunking status and type. After grouping the links into an EtherChannel, LACP adds the group to the spanning tree as a single switch port.

## LACP Modes

Table 35-2 shows the user-configurable EtherChannel LACP modes for the **channel-group** interface configuration command on an NNI or ENI.

Table 35-2 EtherChannel LACP Modes

Mode	Description
<b>active</b>	Places a port into an active negotiating state in which the port starts negotiations with other ports by sending LACP packets.
<b>passive</b>	Places a port into a passive negotiating state in which the port responds to LACP packets that it receives, but does not start LACP packet negotiation. This setting minimizes the transmission of LACP packets.

Both the **active** and **passive LACP** modes enable ports to negotiate with partner ports to an EtherChannel based on criteria such as port speed and, for Layer 2 EtherChannels, trunking state and VLAN numbers.

Ports can form an EtherChannel when they are in different LACP modes as long as the modes are compatible. For example:

- A port in the **active** mode can form an EtherChannel with another port that is in the **active** or **passive** mode.
- A port in the **passive** mode cannot form an EtherChannel with another port that is also in the **passive** mode because neither port starts LACP negotiation.

## LACP Interaction with Other Features

The CDP sends and receives packets over the physical ports in the EtherChannel. Trunk ports send and receive LACP PDUs on the lowest numbered VLAN.

In Layer 2 EtherChannels, the first port in the channel that comes up provides its MAC address to the EtherChannel. If this port is removed from the bundle, one of the remaining ports in the bundle provides its MAC address to the EtherChannel.

LACP sends and receives LACP PDUs only from ports that are up and have LACP enabled for the active or passive mode.

## EtherChannel On Mode

EtherChannel **on** mode can be used to manually configure an EtherChannel. The **on** mode forces a port to join an EtherChannel without negotiations. It can be useful if the remote device does not support PAGP or LACP. With the **on** mode, a usable EtherChannel exists only when both ends of the link are configured in the **on** mode.



Note

---

For UNIs, the only available mode is **on**.

---

Ports that are configured in the **on** mode in the same channel group must have compatible port characteristics, such as speed and duplex. Ports that are not compatible are suspended, even though they are configured in the **on** mode.



Caution

---

You should use care when using the **on** mode. This is a manual configuration, and ports on both ends of the EtherChannel must have the same configuration. If the group is misconfigured, packet loss or spanning-tree loops can occur.

---

## Load Balancing and Forwarding Methods

EtherChannel balances the traffic load across the links in a channel by reducing part of the binary pattern formed from the addresses in the frame to a numerical value that selects one of the links in the channel. EtherChannel load balancing can use MAC addresses or IP addresses, source or destination addresses, or both source and destination addresses. The selected mode applies to all EtherChannels configured on the switch. You configure the load balancing and forwarding method by using the **port-channel load-balance** global configuration command.

With source-MAC address forwarding, when packets are forwarded to an EtherChannel, they are distributed across the ports in the channel based on the source-MAC address of the incoming packet. Therefore, to provide load balancing, packets from different hosts use different ports in the channel, but packets from the same host use the same port in the channel.

With destination-MAC address forwarding, when packets are forwarded to an EtherChannel, they are distributed across the ports in the channel based on the destination-host MAC address of the incoming packet. Therefore, packets to the same destination are forwarded over the same port, and packets to a different destination are sent on a different port in the channel.

On the ME-3400E switch, load distribution based on the destination host MAC address supports only four ports per EtherChannel. When you configure EtherChannel destination-MAC address load balancing, the traffic is balanced only among four ports in the channel group. If you configure more than four ports in an EtherChannel with destination host MAC address load distribution, only four of the ports receive distributed traffic. This limitation does not apply to the other load distribution methods.

With source-and-destination MAC address forwarding, when packets are forwarded to an EtherChannel, they are distributed across the ports in the channel based on both the source and destination MAC addresses. This forwarding method, a combination source-MAC and destination-MAC address forwarding methods of load distribution, can be used if it is not clear whether source-MAC or destination-MAC address forwarding is better suited on a particular switch. With source-and-destination MAC-address forwarding, packets sent from host A to host B, host A to host C, and host C to host B could all use different ports in the channel.

With source-IP-address-based forwarding, when packets are forwarded to an EtherChannel, they are distributed across the ports in the EtherChannel based on the source-IP address of the incoming packet. Therefore, to provide load-balancing, packets from different IP addresses use different ports in the channel, but packets from the same IP address use the same port in the channel.

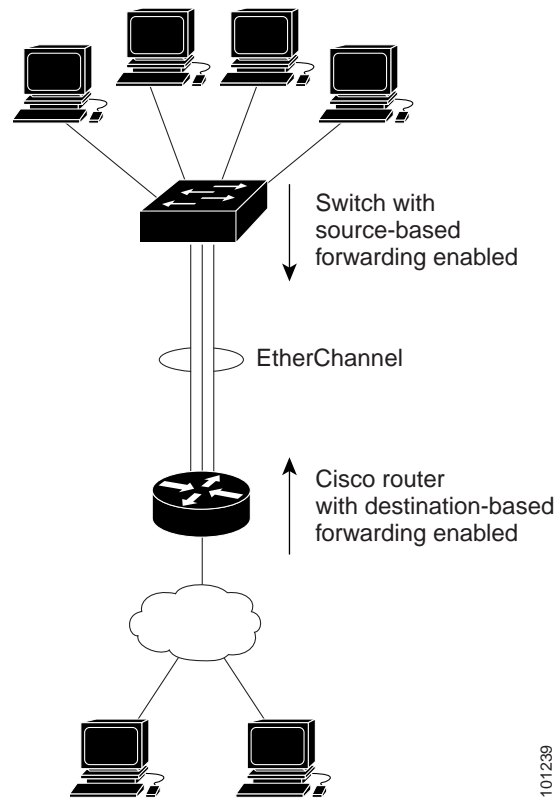
With destination-IP-address-based forwarding, when packets are forwarded to an EtherChannel, they are distributed across the ports in the EtherChannel based on the destination-IP address of the incoming packet. Therefore, to provide load-balancing, packets from the same IP source address sent to different IP destination addresses could be sent on different ports in the channel. But packets sent from different source IP addresses to the same destination IP address are always sent on the same port in the channel.

With source-and-destination IP address-based forwarding, when packets are forwarded to an EtherChannel, they are distributed across the ports in the EtherChannel based on both the source and destination IP addresses of the incoming packet. This forwarding method, a combination of source-IP and destination-IP address-based forwarding, can be used if it is not clear whether source-IP or destination-IP address-based forwarding is better suited on a particular switch. In this method, packets sent from the IP address A to IP address B, from IP address A to IP address C, and from IP address C to IP address B could all use different ports in the channel.

Different load-balancing methods have different advantages, and the choice of a particular load-balancing method should be based on the position of the switch in the network and the kind of traffic that needs to be load-distributed. In [Figure 35-3](#), an EtherChannel of four workstations communicates with a router. Because the router is a single-MAC-address device, source-based forwarding on the switch EtherChannel ensures that the switch uses all available bandwidth to the router. The router is configured for destination-based forwarding because the large number of workstations ensures that the traffic is evenly distributed from the router EtherChannel.

Use the option that provides the greatest variety in your configuration. For example, if the traffic on a channel is going only to a single MAC address, using the destination-MAC address always chooses the same link in the channel. Using source addresses or IP addresses might result in better load balancing.

Figure 35-3 Load Distribution and Forwarding Methods



## Configuring EtherChannels

- [Default EtherChannel Configuration, page 35-10](#)
- [EtherChannel Configuration Guidelines, page 35-10](#)
- [Configuring Layer 2 EtherChannels, page 35-11](#) (required)
- [Configuring Layer 3 EtherChannels, page 35-14](#) (required)
- [Configuring EtherChannel Load Balancing, page 35-17](#) (optional)
- [Configuring the PAgP Learn Method and Priority, page 35-18](#) (optional)
- [Configuring LACP Hot-Standby Ports, page 35-19](#) (optional)



### Note

Make sure that the ports are correctly configured. For more information, see the [“EtherChannel Configuration Guidelines”](#) section on page 35-10.



### Note

After you configure an EtherChannel, configuration changes applied to the port-channel interface apply to all the physical ports assigned to the port-channel interface, and configuration changes applied to the physical port affect only the port to which you apply the configuration.

## Default EtherChannel Configuration

Table 35-3 shows the default EtherChannel configuration.

**Table 35-3** Default EtherChannel Configuration

Feature	Default Setting
Channel groups	None assigned.
Port-channel logical interface	None defined.
PAgP mode	No default.
PAgP learn method	Aggregate-port learning on all NNIs and ENIs.
PAgP priority	128 on all NNIs and ENIs.
LACP mode	No default.
LACP learn method	Aggregate-port learning on all NNIs and ENIs.
LACP port priority	32768 on all NNIs and ENIs.
LACP system priority	32768.
LACP system ID	LACP system priority and the switch MAC address.
Load balancing	Load distribution on the switch is based on the source-MAC address of the incoming packet.

## EtherChannel Configuration Guidelines

If improperly configured, some EtherChannel ports are automatically disabled to avoid network loops and other problems. Follow these guidelines to avoid configuration problems:

- Do not try to configure more than 48 EtherChannels on the switch.
- Configure a PAgP EtherChannel including only NNIs or only ENIs.
- Configure a LACP EtherChannel including only NNIs or only ENIs.
- Configure all ports in an EtherChannel to operate at the same speeds and duplex modes.
- All ports in an EtherChannel must be the same type, either UNI, NNI, or ENI. You cannot mix port types in an EtherChannel.
- On UNIs, the EtherChannel mode must always be configured to **on**.
- Enable all ports in an EtherChannel. A port in an EtherChannel that is disabled by using the **shutdown** interface configuration command is treated as a link failure, and its traffic is transferred to one of the remaining ports in the EtherChannel. UNIs and ENIs are disabled by default. NNIs are enabled by default.
- When a group is first created, all ports follow the parameters set for the first port to be added to the group. If you change the configuration of one of these parameters, you must also make the changes to all ports in the group:
  - Allowed-VLAN list
  - Spanning-tree path cost for each VLAN
  - Spanning-tree port priority for each VLAN
  - Spanning-tree Port Fast setting





**Note** Spanning Tree Protocol is only supported on NNIs or ENIs on which it has been specifically enabled.

- Do not configure a port to be a member of more than one EtherChannel group.
- Do not configure an EtherChannel in both the PAgP and LACP modes. EtherChannel groups running PAgP and LACP can coexist on the same switch. Individual EtherChannel groups can run either PAgP or LACP, but they cannot interoperate.



**Note** PAgP and LACP are only available on NNIs and ENIs.

- If the switch is running the metro access image, you can have only four NNIs on the switch at the same time; therefore, only four ports in an EtherChannel can support LACP and PAgP at the same time. If the switch is running the metro IP access image, there is no limit to the number of NNIs that can be configured on the switch.
- Do not configure a Switched Port Analyzer (SPAN) destination port as part of an EtherChannel.
- Do not configure a secure port as part of an EtherChannel or the reverse.
- Do not configure a private-VLAN port as part of an EtherChannel.
- Do not configure a port that is an active or a not-yet-active member of an EtherChannel as an 802.1x port. If you try to enable 802.1x on an EtherChannel port, an error message appears, and 802.1x is not enabled.
- If EtherChannels are configured on switch interfaces, remove the EtherChannel configuration from the interfaces before globally enabling 802.1x on a switch by using the **dot1x system-auth-control** global configuration command.
- Do not enable link-state tracking on individual interfaces that will be part of a downstream Etherchannel interface. For Layer 2 EtherChannels:
  - Assign all ports in the EtherChannel to the same VLAN, or configure them as trunks. Ports with different native VLANs cannot form an EtherChannel.
  - If you configure an EtherChannel from trunk ports, verify that the trunking mode is the same on all the trunks. Inconsistent trunk modes on EtherChannel ports can have unexpected results.
  - An EtherChannel supports the same allowed range of VLANs on all the ports in a trunking Layer 2 EtherChannel. If the allowed range of VLANs is not the same, the ports do not form an EtherChannel even when PAgP is set to the **auto** or **desirable** mode.
  - NNIs or ENIs with different spanning-tree path costs can form an EtherChannel if they are otherwise compatibly configured. Setting different spanning-tree path costs does not, by itself, make ports incompatible for the formation of an EtherChannel.
- For Layer 3 EtherChannels, assign the Layer 3 address to the port-channel logical interface, not to the physical ports in the channel.

## Configuring Layer 2 EtherChannels

You configure Layer 2 EtherChannels by assigning ports to a channel group with the **channel-group** interface configuration command. This command automatically creates the port-channel logical interface.

Beginning in privileged EXEC mode, follow these steps to assign a Layer 2 Ethernet port to a Layer 2 EtherChannel. This procedure is required.

	Command	Purpose
Step 1	<b>configure terminal</b>	Enter global configuration mode.
Step 2	<b>interface</b> <i>interface-id</i>	Specify a physical port, and enter interface configuration mode. Valid interfaces include physical ports. For a PAgP EtherChannel, you can configure up to eight ports of the same type and speed for the same group. For a LACP EtherChannel, you can configure up to 16 Ethernet ports of the same type. Up to eight ports can be active, and up to eight ports can be in standby mode. <b>Note</b> If the interface is a UNI, you must enter the <b>port-type {eni   nni}</b> interface configuration command before configuring PAgP or LACP.
Step 3	<b>no shutdown</b>	Enable the port, if necessary. By default, UNIs and ENIs are disabled, and NNIs are enabled.
Step 4	<b>switchport mode {access   trunk}</b> <b>switchport access vlan</b> <i>vlan-id</i>	Assign all ports as static-access ports in the same VLAN, or configure them as trunks. If you configure the port as a static-access port, assign it to only one VLAN. The range is 1 to 4094.

Command	Purpose
Step 5 <b>channel-group</b> <i>channel-group-number</i> <b>mode</b> { <b>auto</b> [ <b>non-silent</b> ]   <b>desirable</b> [ <b>non-silent</b> ]   <b>on</b> }   { <b>active</b>   <b>passive</b> }	<p>Assign the port to a channel group, and specify the PAgP or the LACP mode.</p> <p>For <i>channel-group-number</i>, the range is 1 to 48.</p> <p><b>Note</b> For UNIs, the only available mode is <b>on</b>.</p> <p>For <b>mode</b>, select one of these keywords:</p> <ul style="list-style-type: none"> <li>• <b>auto</b>—Enables PAgP only if a PAgP device is detected. It places the port into a passive negotiating state, in which the port responds to PAgP packets it receives but does not start PAgP packet negotiation.</li> <li>• <b>desirable</b>—Unconditionally enables PAgP. It places the port into an active negotiating state, in which the port starts negotiations with other ports by sending PAgP packets.</li> <li>• <b>on</b>—Forces the port to channel without PAgP or LACP. With the <b>on</b> mode, a usable EtherChannel exists only when a port group in the <b>on</b> mode is connected to another port group in the <b>on</b> mode.</li> <li>• <b>non-silent</b>—(Optional) If your switch is connected to a partner that is PAgP-capable, configure the switch port for nonsilent operation when the port is in the <b>auto</b> or <b>desirable</b> mode. If you do not specify <b>non-silent</b>, silent is assumed. The silent setting is for connections to file servers or packet analyzers. This setting allows PAgP to operate, to attach the port to a channel group, and to use the port for transmission.</li> <li>• <b>active</b>—Enables LACP only if a LACP device is detected. It places the port into an active negotiating state in which the port starts negotiations with other ports by sending LACP packets.</li> <li>• <b>passive</b>—Enables LACP on the port and places it into a passive negotiating state in which the port responds to LACP packets that it receives, but does not start LACP packet negotiation.</li> </ul> <p>For information on compatible modes for the switch and its partner, see the “PAgP Modes” section on page 35-5 and the “LACP Modes” section on page 35-6.</p>
Step 6 <b>end</b>	Return to privileged EXEC mode.
Step 7 <b>show running-config</b>	Verify your entries.
Step 8 <b>copy running-config startup-config</b>	(Optional) Save your entries in the configuration file.

To remove a port from the EtherChannel group, use the **no channel-group** interface configuration command.

This example shows how to configure an EtherChannel. It assigns two ports as static-access ports in VLAN 10 to channel 5 with the PAgP mode **desirable**:

```
Switch# configure terminal
Switch(config)# interface range fastethernet0/1 -2
Switch(config-if-range)# port-type nni
Switch(config-if-range)# switchport mode access
Switch(config-if-range)# switchport access vlan 10
Switch(config-if-range)# channel-group 5 mode desirable non-silent
Switch(config-if-range)# end
```

This example shows how to configure an EtherChannel. It assigns two ports as static-access ports in VLAN 10 to channel 5 with the LACP mode **active**:

```
Switch# configure terminal
Switch(config)# interface range gigabitethernet0/1 -2
Switch(config-if-range)# switchport mode access
Switch(config-if-range)# switchport access vlan 10
Switch(config-if-range)# channel-group 5 mode active
Switch(config-if-range)# end
```

## Configuring Layer 3 EtherChannels

To configure Layer 3 EtherChannels, you create the port-channel logical interface and then put the Ethernet ports into the port-channel as described in the next two sections.

### Creating Port-Channel Logical Interfaces

When configuring Layer 3 EtherChannels, you should first manually create the port-channel logical interface by using the **interface port-channel** global configuration command. Then you put the logical interface into the channel group by using the **channel-group** interface configuration command.



#### Note

To move an IP address from a physical port to an EtherChannel, you must delete the IP address from the physical port before configuring it on the port-channel interface.

Beginning in privileged EXEC mode, follow these steps to create a port-channel interface for a Layer 3 EtherChannel. This procedure is required.

	Command	Purpose
Step 1	<b>configure terminal</b>	Enter global configuration mode.
Step 2	<b>interface port-channel</b> <i>port-channel-number</i>	Specify the port-channel logical interface, and enter interface configuration mode. For <i>port-channel-number</i> , the range is 1 to 48.
Step 3	<b>no switchport</b>	Put the port-channel interface into Layer 3 mode.
Step 4	<b>ip address</b> <i>ip-address mask</i>	Assign an IP address and subnet mask to the EtherChannel.
Step 5	<b>end</b>	Return to privileged EXEC mode.
Step 6	<b>show etherchannel</b> <i>channel-group-number detail</i>	Verify your entries.

	Command	Purpose
Step 7	<b>copy running-config startup-config</b>	(Optional) Save your entries in the configuration file.
Step 8		Assign an Ethernet port to the Layer 3 EtherChannel. For more information, see the “ <a href="#">Configuring the Physical Interfaces</a> ” section on page 35-15.

To remove the port-channel, use the **no interface port-channel** *port-channel-number* global configuration command.

This example shows how to create the logical port channel 5 and assign 172.10.20.10 as its IP address:

```
Switch# configure terminal
Switch(config)# interface port-channel 5
Switch(config-if)# no switchport
Switch(config-if)# ip address 172.10.20.10 255.255.255.0
Switch(config-if)# end
```

## Configuring the Physical Interfaces

Beginning in privileged EXEC mode, follow these steps to assign an Ethernet port to a Layer 3 EtherChannel. This procedure is required.

	Command	Purpose
Step 1	<b>configure terminal</b>	Enter global configuration mode.
Step 2	<b>interface</b> <i>interface-id</i>	Specify a physical port, and enter interface configuration mode. Valid interfaces include physical ports. For a PAgP EtherChannel, you can configure up to eight ports of the same type and speed for the same group. For a LACP EtherChannel, you can configure up to 16 Ethernet ports of the same type. Up to eight ports can be active, and up to eight ports can be in standby mode. <b>Note</b> If the interface is a UNI, you must enter the <b>port-type {eni   nni}</b> interface configuration command before configuring PAgP or LACP.
Step 3	<b>no shutdown</b>	Enable the port, if necessary. By default, UNIs and ENIs are disabled, and NNIs are enabled.
Step 4	<b>no ip address</b>	Ensure that there is no IP address assigned to the physical port.
Step 5	<b>no switchport</b>	Put the port into Layer 3 mode.

	Command	Purpose
Step 6	<b>channel-group</b> <i>channel-group-number</i> <b>mode</b> { <b>auto</b> [ <b>non-silent</b> ]   <b>desirable</b> [ <b>non-silent</b> ]   <b>on</b> }   { <b>active</b>   <b>passive</b> }	<p>Assign the port to a channel group, and specify the PAgP or the LACP mode.</p> <p>For <i>channel-group-number</i>, the range is 1 to 48. This number must be the same as the <i>port-channel-number</i> (logical port) configured in the <a href="#">“Creating Port-Channel Logical Interfaces” section on page 35-14</a>.</p> <p><b>Note</b> For UNIs, the only available mode is <b>on</b>.</p> <p>For <b>mode</b>, select one of these keywords:</p> <ul style="list-style-type: none"> <li>• <b>auto</b>—Enables PAgP only if a PAgP device is detected. It places the port into a passive negotiating state, in which the port responds to PAgP packets it receives but does not start PAgP packet negotiation.</li> <li>• <b>desirable</b>—Unconditionally enables PAgP. It places the port into an active negotiating state, in which the port starts negotiations with other ports by sending PAgP packets.</li> <li>• <b>on</b>—Forces the port to channel without PAgP or LACP. With the <b>on</b> mode, a usable EtherChannel exists only when a port group in the <b>on</b> mode is connected to another port group in the <b>on</b> mode.</li> <li>• <b>non-silent</b>—(Optional) If your switch is connected to a partner that is PAgP capable, configure the switch port for nonsilent operation when the port is in the <b>auto</b> or <b>desirable</b> mode. If you do not specify <b>non-silent</b>, silent is assumed. The silent setting is for connections to file servers or packet analyzers. This setting allows PAgP to operate, to attach the port to a channel group, and to use the port for transmission.</li> <li>• <b>active</b>—Enables LACP only if a LACP device is detected. It places the port into an active negotiating state in which the port starts negotiations with other ports by sending LACP packets.</li> <li>• <b>passive</b>—Enables LACP on the port and places it into a passive negotiating state in which the port responds to LACP packets that it receives, but does not start LACP packet negotiation.</li> </ul> <p>For information on compatible modes for the switch and its partner, see the <a href="#">“PAgP Modes” section on page 35-5</a> and the <a href="#">“LACP Modes” section on page 35-6</a>.</p>
Step 7	<b>end</b>	Return to privileged EXEC mode.
Step 8	<b>show running-config</b>	Verify your entries.
Step 9	<b>copy running-config startup-config</b>	(Optional) Save your entries in the configuration file.

This example shows how to configure an EtherChannel. It assigns two ports to channel 5 with the LACP mode **active**:

```
Switch# configure terminal
Switch(config)# interface range gigabitethernet0/1 -2
Switch(config-if-range)# no ip address
Switch(config-if-range)# no switchport
Switch(config-if-range)# channel-group 5 mode active
Switch(config-if-range)# end
```

## Configuring EtherChannel Load Balancing

This section describes how to configure EtherChannel load balancing by using source-based or destination-based forwarding methods. For more information, see the [“Load Balancing and Forwarding Methods” section on page 35-7](#).

Beginning in privileged EXEC mode, follow these steps to configure EtherChannel load balancing. This procedure is optional.

	Command	Purpose
Step 1	<b>configure terminal</b>	Enter global configuration mode.
Step 2	<b>port-channel load-balance { dst-ip   dst-mac   src-dst-ip   src-dst-mac   src-ip   src-mac }</b>	<p>Configure an EtherChannel load-balancing method.</p> <p>The default is <b>src-mac</b>.</p> <p>Select one of these load-distribution methods:</p> <ul style="list-style-type: none"> <li>• <b>dst-ip</b>—Load distribution is based on the destination-host IP address.</li> <li>• <b>dst-mac</b>—Load distribution is based on the destination-host MAC address of the incoming packet.</li> </ul> <p><b>Note</b> When you enter the <b>dst-mac</b> keyword, the traffic is balanced only among four ports in the channel group. If you configure more than four ports in an EtherChannel with destination host MAC address load distribution, only four of the ports receive distributed traffic. This limitation does not apply to the other load distribution methods.</p> <ul style="list-style-type: none"> <li>• <b>src-dst-ip</b>—Load distribution is based on the source-and-destination host-IP address.</li> <li>• <b>src-dst-mac</b>—Load distribution is based on the source-and-destination host-MAC address.</li> <li>• <b>src-ip</b>—Load distribution is based on the source-host IP address.</li> <li>• <b>src-mac</b>—Load distribution is based on the source-MAC address of the incoming packet.</li> </ul>
Step 3	<b>end</b>	Return to privileged EXEC mode.
Step 4	<b>show etherchannel load-balance</b>	Verify your entries.
Step 5	<b>copy running-config startup-config</b>	(Optional) Save your entries in the configuration file.

To return EtherChannel load balancing to the default configuration, use the **no port-channel load-balance** global configuration command.

## Configuring the PAgP Learn Method and Priority

Network devices are classified as PAgP physical learners or aggregate-port learners. A device is a physical learner if it learns addresses by physical ports and directs transmissions based on that knowledge. A device is an aggregate-port learner if it learns addresses by aggregate (logical) ports. The learn method must be configured the same at both ends of the link.



### Note

---

PAgP is available only on NNIs and ENIs.

---

When a device and its partner are both aggregate-port learners, they learn the address on the logical port-channel. The device sends packets to the source by using any of the ports in the EtherChannel. With aggregate-port learning, it is not important on which physical port the packet arrives.

PAgP cannot automatically detect when the partner device is a physical learner and when the local device is an aggregate-port learner. Therefore, you must manually set the learning method on the local device to learn addresses by physical ports. You also must set the load-distribution method to source-based distribution, so that any given source MAC address is always sent on the same physical port.

You also can configure a single port within the group for all transmissions and use other ports for hot standby. The unused ports in the group can be swapped into operation in just a few seconds if the selected single port loses hardware-signal detection. You can configure which port is always selected for packet transmission by changing its priority with the **pagp port-priority** interface configuration command. The higher the priority, the more likely that the port will be selected.



### Note

---

The switch supports address learning only on aggregate ports even though the **physical-port** keyword is provided in the CLI. The **pagp learn-method** command and the **pagp port-priority** command have no effect on the switch hardware, but they are required for PAgP interoperability with devices that only support address learning by physical ports.

---

When the link partner to the switch is a physical learner, we recommend that you configure the Cisco ME switch as a physical-port learner by using the **pagp learn-method physical-port** interface configuration command. Set the load-distribution method based on the source MAC address by using the **port-channel load-balance src-mac** global configuration command. The switch then sends packets to the physical learner switch using the same port in the EtherChannel from which it learned the source address. Use the **pagp learn-method** command only in this situation.

---

Beginning in privileged EXEC mode, follow these steps to configure your switch as a PAgP physical-port learner and to adjust the priority so that the same port in the bundle is selected for sending packets. This procedure is optional.



	Command	Purpose
Step 1	<b>configure terminal</b>	Enter global configuration mode.
Step 2	<b>interface</b> <i>interface-id</i>	Specify the port for transmission, and enter interface configuration mode.  <b>Note</b> If the interface is a UNI, you must enter the <b>port-type {eni   nni}</b> interface configuration command before configuring LACP.
Step 3	<b>pagp learn-method</b> physical-port	Select the PAgP learning method.  By default, <b>aggregation-port learning</b> is selected, which means the switch sends packets to the source by using any of the ports in the EtherChannel. With aggregate-port learning, it is not important on which physical port the packet arrives.  Select <b>physical-port</b> to connect with another switch that is a physical learner. Make sure to configure the <b>port-channel load-balance</b> global configuration command to <b>src-mac</b> as described in the “ <a href="#">Configuring EtherChannel Load Balancing</a> ” section on page 35-17.  The learning method must be configured the same at both ends of the link.  <b>Note</b> If the interface is a UNI, you must enter the <b>port-type {eni   nni}</b> interface configuration command before configuring PAgP.
Step 4	<b>pagp port-priority</b> <i>priority</i>	Assign a priority so that the selected port is chosen for packet transmission.  For <i>priority</i> , the range is 0 to 255. The default is 128. The higher the priority, the more likely that the port will be used for PAgP transmission.
Step 5	<b>end</b>	Return to privileged EXEC mode.
Step 6	<b>show running-config</b>  or <b>show pagp</b> <i>channel-group-number</i> <b>internal</b>	Verify your entries.
Step 7	<b>copy running-config startup-config</b>	(Optional) Save your entries in the configuration file.

To return the priority to its default setting, use the **no pagp port-priority** interface configuration command. To return the learning method to its default setting, use the **no pagp learn-method** interface configuration command.

## Configuring LACP Hot-Standby Ports

When enabled, LACP tries to configure the maximum number of LACP-compatible ports in a channel, up to a maximum of 16 ports. Only eight LACP links can be active at one time. The software places any additional links in a hot-standby mode. If one of the active links becomes inactive, a link that is in the hot-standby mode becomes active in its place.

**Note**

LACP is only available on NNIs and ENIs.

If you configure more than eight links for an EtherChannel group, the software automatically decides which of the hot-standby ports to make active based on the LACP priority. The software assigns to every link between systems that operate LACP a unique priority made up of these elements (in priority order):

- LACP system priority
- System ID (a combination of the LACP system priority and the switch MAC address)
- LACP port priority
- Port number

In priority comparisons, numerically lower values have higher priority. The priority decides which ports should be put in standby mode when there is a hardware limitation that prevents all compatible ports from aggregating.

Ports are considered for active use in aggregation in link-priority order starting with the port attached to the highest priority link. Each port is selected for active use if the preceding higher priority selections can also be maintained. Otherwise, the port is selected for standby mode.

You can change the default values of the LACP system priority and the LACP port priority to affect how the software selects active and standby links. For more information, see the [“Configuring the LACP System Priority”](#) section on page 35-20 and the [“Configuring the LACP Port Priority”](#) section on page 35-21.

## Configuring the LACP System Priority

You can configure the system priority for all of the EtherChannels that are enabled for LACP by using the **lacp system-priority** global configuration command. You cannot configure a system priority for each LACP-configured channel. By changing this value from the default, you can affect how the software selects active and standby links.

You can use the **show etherchannel summary** privileged EXEC command to see which ports are in the hot-standby mode (denoted with an H port-state flag).

Beginning in privileged EXEC mode, follow these steps to configure the LACP system priority. This procedure is optional.

	Command	Purpose
Step 1	<b>configure terminal</b>	Enter global configuration mode.
Step 2	<b>lacp system-priority</b> <i>priority</i>	Configure the LACP system priority. For <i>priority</i> , the range is 1 to 65535. The default is 32768. The lower the value, the higher the system priority.
Step 3	<b>end</b>	Return to privileged EXEC mode.
Step 4	<b>show running-config</b> or <b>show lacp sys-id</b>	Verify your entries.
Step 5	<b>copy running-config startup-config</b>	(Optional) Save your entries in the configuration file.

To return the LACP system priority to the default value, use the **no lacp system-priority** global configuration command.

## Configuring the LACP Port Priority

By default, all ports use the same port priority. If the local system has a lower value for the system priority and the system ID than the remote system, you can affect which of the hot-standby links become active first by changing the port priority of LACP EtherChannel ports to a lower value than the default. The hot-standby ports that have lower port numbers become active in the channel first. You can use the **show etherchannel summary** privileged EXEC command to see which ports are in the hot-standby mode (denoted with an H port-state flag).



### Note

If LACP is not able to aggregate all the ports that are compatible (for example, the remote system might have more restrictive hardware limitations), all the ports that cannot be actively included in the EtherChannel are put in the hot-standby state and are used only if one of the channeled ports fails.

Beginning in privileged EXEC mode, follow these steps to configure the LACP port priority. This procedure is optional.

	Command	Purpose
Step 1	<b>configure terminal</b>	Enter global configuration mode.
Step 2	<b>interface</b> <i>interface-id</i>	Specify the port to be configured, and enter interface configuration mode.  <b>Note</b> If the interface is a UNI, you must enter the <b>port-type {eni   nni}</b> interface configuration command before configuring LACP.
Step 3	<b>lacp port-priority</b> <i>priority</i>	Configure the LACP port priority.  For <i>priority</i> , the range is 1 to 65535. The default is 32768. The lower the value, the more likely that the port will be used for LACP transmission.
Step 4	<b>end</b>	Return to privileged EXEC mode.
Step 5	<b>show running-config</b>  or <b>show lacp</b> [ <i>channel-group-number</i> ] <b>internal</b>	Verify your entries.
Step 6	<b>copy running-config startup-config</b>	(Optional) Save your entries in the configuration file.

To return the LACP port priority to the default value, use the **no lacp port-priority** interface configuration command.

## Displaying EtherChannel, PAgP, and LACP Status

To display EtherChannel, PAgP, and LACP status information, use the privileged EXEC commands described in [Table 35-4](#):

**Table 35-4** *Commands for Displaying EtherChannel, PAgP, and LACP Status*

Command	Description
<b>show etherchannel</b> [ <i>channel-group-number</i> { <b>detail</b>   <b>port</b>   <b>port-channel</b>   <b>protocol</b>   <b>summary</b> }] { <b>detail</b>   <b>load-balance</b>   <b>port</b>   <b>port-channel</b>   <b>protocol</b>   <b>summary</b> }	Displays EtherChannel information in a brief, detailed, and one-line summary form. Also displays the load-balance or frame-distribution scheme, port, port-channel, and protocol information.
<b>show pagp</b> [ <i>channel-group-number</i> ] { <b>counters</b>   <b>internal</b>   <b>neighbor</b> }	Displays PAgP information such as traffic information, the internal PAgP configuration, and neighbor information.
<b>show lacp</b> [ <i>channel-group-number</i> ] { <b>counters</b>   <b>internal</b>   <b>neighbor</b> }	Displays LACP information such as traffic information, the internal LACP configuration, and neighbor information.

You can clear PAgP channel-group information and traffic counters by using the **clear pagp** [*channel-group-number* **counters** | **counters**] privileged EXEC command.

You can clear LACP channel-group information and traffic counters by using the **clear lacp** [*channel-group-number* **counters** | **counters**] privileged EXEC command.

For detailed information about the fields in the displays, see the command reference for this release.

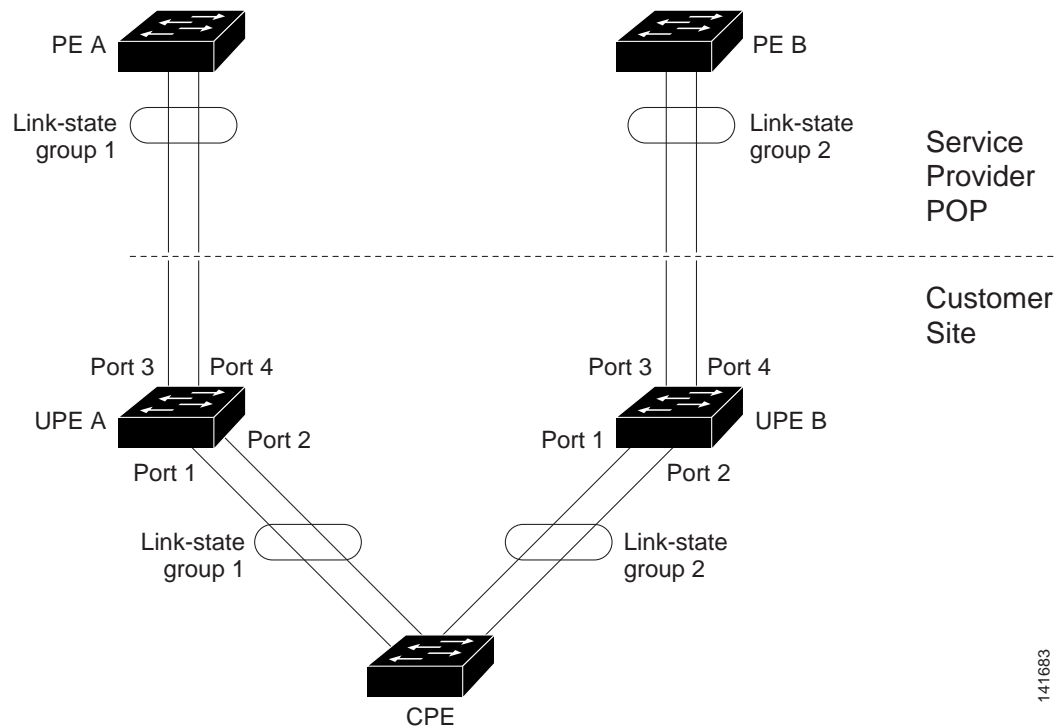
## Understanding Link-State Tracking

Link-state tracking, also known as trunk failover, is a feature that binds the link state of multiple interfaces. For example, link-state tracking provides redundancy in the network when used with Flex Links. If the link is lost on the primary interface, connectivity is transparently switched to the secondary interface.

As shown in [Figure 35-4](#), switches that could be Cisco ME3400E switches are used as user-facing provider edge (UPE) switches in a customer site at the edge of the provider network connected to a customer premises equipment (CPE) switch. The UPE switches are connected to the provider edge (PE) switches in the service provider (SP) network. Customer devices, such as clients, connected to the CPE switch have multiple connections to the SP network. This configuration ensures that the traffic flow is balanced from the customer site to the SP and the reverse. Ports connected to the CPE are referred to as downstream ports, and ports connected to PE switches are referred to as upstream ports.

- UPE switch A provides links to the CPE through link-state group 1. Port 1 and port 2 are connected to the CPE. Port 3 and port 4 are connected to PE switch A through link-state group 1.
- UPE switch B provides links to the CPE through link-state group 2. Port 1 and port 2 are connected to CPE. Port 3 and 4 are connected to PE switch A through link-state group 2.

Figure 35-4 Typical Link-State Tracking Configuration



When you enable link-state tracking on the switch, the link state of the downstream ports is bound to the link state of one or more of the upstream ports. After you associate a set of downstream ports to a set of upstream ports, if all of the upstream ports become unavailable, link-state tracking automatically puts the associated downstream ports in an error-disabled state. This causes the CPE primary interface to failover to the secondary interface.

If the PE switch fails, the cables are disconnected, or the link is lost, the upstream interfaces can lose connectivity. When link-state tracking is not enabled and the upstream interfaces lose connectivity, the link states of the downstream interfaces remain unchanged. The CPE is not aware that upstream connectivity has been lost and does not failover to the secondary interface.

An interface can be an aggregation of ports (an EtherChannel), a single physical port in access or trunk mode, or routed ports. These interfaces can be bundled together, and each downstream interface can be associated with a single group consisting of multiple upstream interfaces, referred to as a link-state group.

In a link-state group, the link state of the downstream interfaces is dependent on the link state of the upstream interfaces. If all of the upstream interfaces in a link-state group are in the link-down state, the associated downstream interfaces are forced into the link-down state. If any one of the upstream interfaces in the link-state group is in the link-up state, the associated downstream interfaces can change to or remain in a link-up state.

For example, in Figure 35-4, downstream interfaces 1 and 2 on UPE switch A are defined in link-state group 1 with upstream interfaces 3 and 4. Similarly, downstream interfaces 1 and 2 on UPE switch B are defined in link-state group 2 with upstream interfaces 3 and 4.

If the link is lost on upstream interface 3, the link states of downstream interfaces 1 and 2 do not change. If upstream interface 4 also loses link, downstream interfaces 1 and 2 change to the link-down state. The CPE switch stops forwarding traffic to PE switch A and starts to forward traffic to PE switch B.

You can recover a downstream interface link-down condition by removing the failed downstream port from the link-state group. To recover multiple downstream interfaces, disable the link-state group.

## Configuring Link-State Tracking

- [Default Link-State Tracking Configuration, page 35-24](#)
- [Link-State Tracking Configuration Guidelines, page 35-24](#)
- [Configuring Link-State Tracking, page 35-24](#)

### Default Link-State Tracking Configuration

There are no link-state groups defined, and link-state tracking is not enabled for any group.

### Link-State Tracking Configuration Guidelines

- An interface that is defined as an upstream interface cannot also be defined as a downstream interface in the same or a different link-state group. The reverse is also true.
- An interface cannot be a member of more than one link-state group.
- You can configure only two link-state groups per switch.
- Do not enable link-state tracking on individual interfaces that will be part of a downstream Etherchannel interface.

## Configuring Link-State Tracking

Beginning in privileged EXEC mode, follow these steps to configure a link-state group and to assign an interface to a group:

	Command	Purpose
Step 1	<b>configure terminal</b>	Enter global configuration mode.
Step 2	<b>link state track</b> <i>number</i>	Create a link-state group, and enable link-state tracking. The group number can be 1 to 2; the default is 1.
Step 3	<b>interface</b> <i>interface-id</i>	Specify a physical interface or range of interfaces to configure, and enter interface configuration mode.  Valid interfaces include switch ports in access or trunk mode (IEEE 802.1q), routed ports, or multiple ports bundled into an upstream EtherChannel interface (static, PAgP, or LACP), also in trunk mode.  <b>Note</b> Do not enable link-state tracking on individual interfaces that will be part of a downstream Etherchannel interface.
Step 4	<b>no shutdown</b>	Enable the port, if necessary. By default, UNIs and ENIs are disabled, and NNIs are enabled.

	Command	Purpose
Step 5	<b>link state group</b> [ <i>number</i> ] { <b>upstream</b>   <b>downstream</b> }	Specify a link-state group, and configure the interface as either an <b>upstream</b> or <b>downstream</b> interface in the group. The group number can be 1 to 2; the default is 1.
Step 6	<b>end</b>	Return to privileged EXEC mode.
Step 7	<b>show running-config</b>	Verify your entries.
Step 8	<b>copy running-config startup-config</b>	(Optional) Save your entries in the configuration file.

This example shows how to create a link-state group and configure the interfaces:

```
Switch# configure terminal
Switch(config)# link state track 1
Switch(config)# interface range fastethernet/0/9 -10
Switch(config-if)# link state group 1 upstream
Switch(config-if)# interface fastethernet0/1
Switch(config-if)# link state group 1 downstream
Switch(config-if)# interface fastethernet0/3
Switch(config-if)# link state group 1 downstream
Switch(config-if)# interface fastethernet0/5
Switch(config-if)# link state group 1 downstream
Switch(config-if)# end
```

To disable a link-state group, use the **no link state track** *number* global configuration command.

## Displaying Link-State Tracking Status

Use the **show link state group** command to display the link-state group information. Enter this command without keywords to display information about all link-state groups. Enter the group number to display information specific to the group. Enter the detail keyword to display detailed information about the group.

This is an example of output from the **show link state group 1** command:

```
Switch> show link state group 1

Link State Group: 1      Status: Enabled, Down
```

This is an example of output from the **show link state group detail** command:

```
Switch> show link state group detail

(Up):Interface up      (Dwn):Interface Down   (Dis):Interface disabled

Link State Group: 1 Status: Enabled, Down
Upstream Interfaces : Fa0/15(Dwn) Fa0/16(Dwn)
Downstream Interfaces : Fa0/11(Dis) Fa0/12(Dis) Fa0/13(Dis) Fa0/14(Dis)

Link State Group: 2 Status: Enabled, Down
Upstream Interfaces : Fa0/15(Dwn) Fa0/16(Dwn) Fa0/17(Dwn)
Downstream Interfaces : Fa0/11(Dis) Fa0/12(Dis) Fa0/13(Dis) Fa0/14(Dis)

(Up):Interface up (Dwn):Interface Down (Dis):Interface disabled
```

For detailed information about the fields in the display, see the command reference for this release.

■ Displaying Link-State Tracking Status





## Configuring IP Unicast Routing

---

This chapter describes how to configure IP Version 4 (IPv4) unicast routing on the Cisco ME 3400 Ethernet Access switch. For information about IPv6 routing, see [Chapter 37, “Configuring IPv6 Unicast Routing.”](#)



Note

---

Routing is supported only on switches that are running the metro IP access image.

---

For more detailed IPv4 unicast configuration information, see the *Cisco IOS IP Configuration Guide, Release 12.2*. For complete syntax and usage information for the commands used in this chapter, see these command references:

- *Cisco IOS IP Command Reference, Volume 1 of 3: Addressing and Services, Release 12.2*
- *Cisco IOS IP Command Reference, Volume 2 of 3: Routing Protocols, Release 12.2*
- *Cisco IOS IP Command Reference, Volume 3 of 3: Multicast, Release 12.2*

This chapter consists of these sections:

- [Understanding IP Routing, page 36-2](#)
- [Steps for Configuring Routing, page 36-3](#)
- [Configuring IP Addressing, page 36-4](#)
- [Enabling IPv4 Unicast Routing, page 36-17](#)
- [Configuring RIP, page 36-18](#)
- [Configuring OSPF, page 36-23](#)
- [Configuring EIGRP, page 36-34](#)
- [Configuring BGP, page 36-42](#)
- [Configuring ISO CLNS Routing, page 36-62](#)
- [Configuring BFD, page 36-72](#)
- [Configuring Multi-VRF CE, page 36-82](#)
- [Configuring Protocol-Independent Features, page 36-95](#)
- [Monitoring and Maintaining the IP Network, page 36-110](#)

**Note**

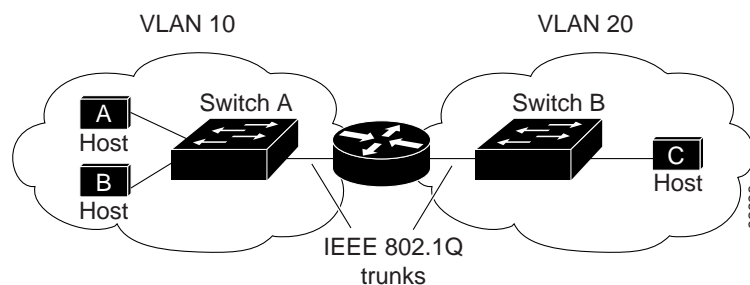
When configuring routing parameters on the switch to allocate system resources to maximize the number of unicast routes allowed, you should use the **sdm prefer default** global configuration command to set the Switch Database Management (sdm) feature to balance resource. The Layer-2 template does not support routing and forces any routing to be done through software. This overloads the CPU and severely degrades routing performance. For more information on the SDM templates, see [Chapter 7, “Configuring SDM Templates”](#) or see the **sdm prefer** command in the command reference for this release.

## Understanding IP Routing

In an IP network, each subnetwork is mapped to an individual VLAN. However, network devices in different VLANs cannot communicate with one another without a Layer 3 device (router) to route traffic between the VLAN, referred to as inter-VLAN routing. You configure one or more routers to route traffic to the appropriate destination VLAN.

[Figure 36-1](#) shows a basic routing topology. Switch A is in VLAN 10, and Switch B is in VLAN 20. The router has an interface in each VLAN.

**Figure 36-1** Routing Topology Example



When Host A in VLAN 10 needs to communicate with Host B in VLAN 10, it sends a packet addressed to that host. Switch A forwards the packet directly to Host B, without sending it to the router.

When Host A sends a packet to Host C in VLAN 20, Switch A forwards the packet to the router, which receives the traffic on the VLAN 10 interface. The router checks the routing table, finds the correct outgoing interface, and forwards the packet on the VLAN 20 interface to Switch B. Switch B receives the packet and forwards it to Host C.

## Types of Routing

Routers and Layer 3 switches can route packets in three different ways:

- By using default routing—sending traffic with a destination unknown to the router to a default outlet or destination.
- By using preprogrammed static routes for the traffic
  - Static unicast routing forwards packets from predetermined ports through a single path into and out of a network. Static routing does not automatically respond to changes in the network and therefore, might result in unreachable destinations.
- By dynamically calculating routes by using a routing protocol

Dynamic routing protocols are used by routers to dynamically calculate the best route for forwarding traffic. Routing protocols supported by the switch are Routing Information Protocol (RIP), Border Gateway Protocol (BGP), Open Shortest Path First (OSPF) protocol, Enhanced IGRP (EIGRP), System-to-Intermediate System (IS-IS), and Bidirectional Forwarding Detection (BFD).

## Steps for Configuring Routing

By default, IPv4 routing is disabled on the switch, and you must enable it before routing can take place. For detailed IP routing configuration information, see the *Cisco IOS IP Configuration Guide, Release 12.2*

In the following procedures, the specified interface must be one of these Layer 3 interfaces:

- A routed port: a physical port configured as a Layer 3 port by using the **no switchport** interface configuration command.
- A switch virtual interface (SVI): a VLAN interface created by using the **interface vlan** *vlan\_id* global configuration command and by default a Layer 3 interface.
- An EtherChannel port channel in Layer 3 mode: a port-channel logical interface created by using the **interface port-channel** *port-channel-number* global configuration command and binding the Ethernet interface into the channel group. For more information, see the [“Configuring Layer 3 EtherChannels”](#) section on page 35-14.



Note

---

The switch does not support tunnel interfaces for unicast routed traffic.

---

All Layer 3 interfaces on which routing will occur must have IP addresses assigned to them. See the [“Assigning IP Addresses to Network Interfaces”](#) section on page 36-5.



Note

---

A Layer 3 switch can have an IP address assigned to each routed port and SVI. The number of routed ports and SVIs that you can configure is not limited by software. However, the interrelationship between this number and the number and volume of features being implemented might have an impact on CPU utilization because of hardware limitations. To support IPv4 routing, use the **sdm prefer default** global configuration command.

---

Configuring IPv4g routing consists of several main procedures:

- To support VLAN interfaces, create and configure VLANs on the switch, and assign VLAN membership to Layer 2 interfaces. For more information, see [Chapter 12, “Configuring VLANs.”](#)
- Configure Layer 3 interfaces.
- Enable IPv4 routing on the switch.
- Assign IPv4 addresses to the Layer 3 interfaces.
- Enable selected routing protocols on the switch.
- Configure routing protocol parameters (optional).

# Configuring IP Addressing

IP routing requires that Layer 3 network interfaces are assigned IP addresses to enable the interfaces and to allow communication with the hosts on interfaces that use IP. These sections describe how to configure various IP addressing features. Assigning IP addresses to the interface is required; the other procedures are optional.

- [Default Addressing Configuration, page 36-4](#)
- [Assigning IP Addresses to Network Interfaces, page 36-5](#)
- [Configuring Address Resolution Methods, page 36-7](#)
- [Routing Assistance When IP Routing is Disabled, page 36-10](#)
- [Configuring Broadcast Packet Handling, page 36-12](#)
- [Monitoring and Maintaining IP Addressing, page 36-16](#)

## Default Addressing Configuration

*Table 36-1 Default Addressing Configuration*

Feature	Default Setting
IP address	None defined.
ARP	No permanent entries in the Address Resolution Protocol (ARP) cache. Encapsulation: Standard Ethernet-style ARP. Timeout: 14400 seconds (4 hours).
IP broadcast address	255.255.255.255 (all ones).
IP classless routing	Enabled.
IP default gateway	Disabled.
IP directed broadcast	Disabled (all IP directed broadcasts are dropped).
IP domain	Domain list: No domain names defined. Domain lookup: Enabled. Domain name: Enabled.
IP forward-protocol	If a helper address is defined or User Datagram Protocol (UDP) flooding is configured, UDP forwarding is enabled on default ports. Any-local-broadcast: Disabled. Turbo-flood: Disabled.
IP helper address	Disabled.
IP host	Disabled.

Table 36-1 Default Addressing Configuration (continued)

Feature	Default Setting
IRDP	Disabled. Defaults when enabled: <ul style="list-style-type: none"> <li>• Broadcast IRDP advertisements.</li> <li>• Maximum interval between advertisements: 600 seconds.</li> <li>• Minimum interval between advertisements: 0.75 times max interval</li> <li>• Preference: 0.</li> </ul>
IP proxy ARP	Enabled.
IP routing	Disabled.
IP subnet-zero	Disabled.

## Assigning IP Addresses to Network Interfaces

An IP address identifies a location to which IP packets can be sent. An interface can have one primary IP address. A mask identifies the bits that denote the network number in an IP address. When you use the mask to subnet a network, the mask is referred to as a subnet mask. To receive an assigned network number, contact your Internet service provider.

Beginning in privileged EXEC mode, follow these steps to assign an IP address and a network mask to a Layer 3 interface:

	Command	Purpose
Step 1	<b>configure terminal</b>	Enter global configuration mode.
Step 2	<b>interface</b> <i>interface-id</i>	Enter interface configuration mode, and specify the Layer 3 interface to configure.
Step 3	<b>no shutdown</b>	Enable the interface if necessary. User network interfaces (UNIs) and enhanced network interfaces (ENIs) are disabled by default; network node interfaces (NNIs) are enabled by default.
Step 4	<b>no switchport</b>	Remove the interface from Layer 2 configuration mode (if it is a physical interface).
Step 5	<b>ip address</b> <i>ip-address subnet-mask</i>	Configure the IP address and IP subnet mask.
Step 6	<b>end</b>	Return to privileged EXEC mode.
Step 7	<b>show interfaces</b> [ <i>interface-id</i> ] <b>show ip interface</b> [ <i>interface-id</i> ] <b>show running-config interface</b> [ <i>interface-id</i> ]	Verify your entries.
Step 8	<b>copy running-config startup-config</b>	(Optional) Save your entries in the configuration file.

## Use of Subnet Zero

Subnetting with a subnet address of zero is strongly discouraged because of the problems that can arise if a network and a subnet have the same addresses. For example, if network 131.108.0.0 is subnetted as 255.255.255.0, subnet zero would be written as 131.108.0.0, which is the same as the network address.

You can use the all ones subnet (131.108.255.0) and even though it is discouraged, you can enable the use of subnet zero if you need the entire subnet space for your IP address.

Beginning in privileged EXEC mode, follow these steps to enable subnet zero:

	Command	Purpose
Step 1	<b>configure terminal</b>	Enter global configuration mode.
Step 2	<b>ip subnet-zero</b>	Enable the use of subnet zero for interface addresses and routing updates.
Step 3	<b>end</b>	Return to privileged EXEC mode.
Step 4	<b>show running-config</b>	Verify your entry.
Step 5	<b>copy running-config startup-config</b>	(Optional) Save your entry in the configuration file.

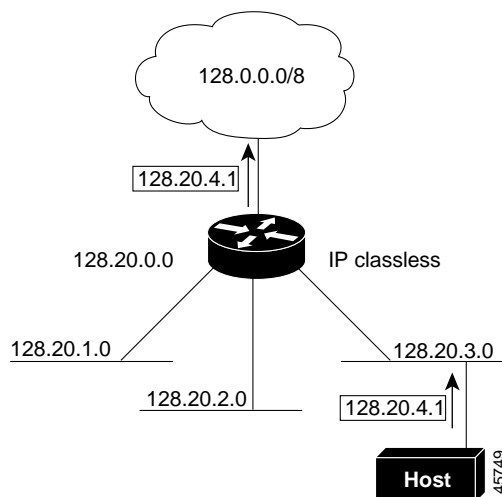
Use the **no ip subnet-zero** global configuration command to restore the default and disable the use of subnet zero.

## Classless Routing

By default, classless routing behavior is enabled on the switch when it is configured to route. With classless routing, if a router receives packets for a subnet of a network with no default route, the router forwards the packet to the best supernet route. A *supernet* consists of contiguous blocks of Class C address spaces used to simulate a single, larger address space and is designed to relieve the pressure on the rapidly depleting Class B address space.

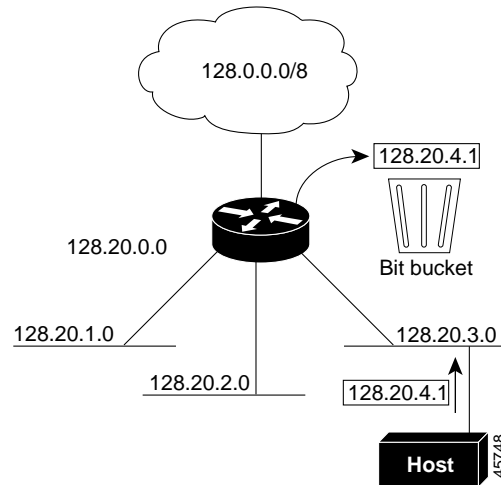
In [Figure 36-2](#), classless routing is enabled. When the host sends a packet to 120.20.4.1, instead of discarding the packet, the router forwards it to the best supernet route. If you disable classless routing and a router receives packets destined for a subnet of a network with no network default route, the router discards the packet.

**Figure 36-2 IP Classless Routing**



In [Figure 36-3](#), the router in network 128.20.0.0 is connected to subnets 128.20.1.0, 128.20.2.0, and 128.20.3.0. If the host sends a packet to 120.20.4.1, because there is no network default route, the router discards the packet.

Figure 36-3 No IP Classless Routing



To prevent the switch from forwarding packets destined for unrecognized subnets to the best supernet route possible, you can disable classless routing behavior.

Beginning in privileged EXEC mode, follow these steps to disable classless routing:

	Command	Purpose
Step 1	<b>configure terminal</b>	Enter global configuration mode.
Step 2	<b>no ip classless</b>	Disable classless routing behavior.
Step 3	<b>end</b>	Return to privileged EXEC mode.
Step 4	<b>show running-config</b>	Verify your entry.
Step 5	<b>copy running-config startup-config</b>	(Optional) Save your entry in the configuration file.

To restore the default and have the switch forward packets destined for a subnet of a network with no network default route to the best supernet route possible, use the **ip classless** global configuration command.

## Configuring Address Resolution Methods

You can control interface-specific handling of IP by using address resolution. A device using IP can have both a local address or MAC address, which uniquely defines the device on its local segment or LAN, and a network address, which identifies the network to which the device belongs. To communicate with a device on Ethernet, the software must learn the MAC address of the device. The process of learning the MAC address from an IP address is called *address resolution*. The process of learning the IP address from the MAC address is called *reverse address resolution*.

The switch can use these forms of address resolution:

- Address Resolution Protocol (ARP) is used to associate IP address with MAC addresses. Taking an IP address as input, ARP learns the associated MAC address and then stores the IP address/MAC address association in an ARP cache for rapid retrieval. Then the IP datagram is encapsulated in a link-layer frame and sent over the network. Encapsulation of IP datagrams and ARP requests or replies on IEEE 802 networks other than Ethernet is specified by the Subnetwork Access Protocol (SNAP).

- Proxy ARP helps hosts with no routing tables learn the MAC addresses of hosts on other networks or subnets. If the switch (router) receives an ARP request for a host that is not on the same interface as the ARP request sender, and if the router has all of its routes to the host through other interfaces, it generates a proxy ARP packet giving its own local data link address. The host that sent the ARP request then sends its packets to the router, which forwards them to the intended host.

The switch also uses the Reverse Address Resolution Protocol (RARP), which functions the same as ARP does, except that the RARP packets request an IP address instead of a local MAC address. Using RARP requires a RARP server on the same network segment as the router interface. Use the **ip rarp-server address** interface configuration command to identify the server.

For more information on RARP, see the *Cisco IOS Configuration Fundamentals Configuration Guide, Release 12.2*.

You can perform these tasks to configure address resolution:

- [Define a Static ARP Cache, page 36-8](#)
- [Set ARP Encapsulation, page 36-9](#)
- [Enable Proxy ARP, page 36-9](#)

## Define a Static ARP Cache

ARP and other address resolution protocols provide dynamic mapping between IP addresses and MAC addresses. Because most hosts support dynamic address resolution, you usually do not need to specify static ARP cache entries. If you must define a static ARP cache entry, you can do so globally, which installs a permanent entry in the ARP cache that the switch uses to translate IP addresses into MAC addresses. Optionally, you can also specify that the switch respond to ARP requests as if it were the owner of the specified IP address. If you do not want the ARP entry to be permanent, you can specify a timeout period for the ARP entry.

Beginning in privileged EXEC mode, follow these steps to provide static mapping between IP addresses and MAC addresses:

	Command	Purpose
Step 1	<b>configure terminal</b>	Enter global configuration mode.
Step 2	<b>arp ip-address hardware-address type</b>	Globally associate an IP address with a MAC (hardware) address in the ARP cache, and specify encapsulation type as one of these: <ul style="list-style-type: none"> <li>• <b>arpa</b>—ARP encapsulation for Ethernet interfaces</li> <li>• <b>snap</b>—Subnetwork Address Protocol encapsulation for Token Ring and FDDI interfaces</li> <li>• <b>sap</b>—HP's ARP type</li> </ul>
Step 3	<b>arp ip-address hardware-address type [alias]</b>	(Optional) Specify that the switch respond to ARP requests as if it were the owner of the specified IP address.
Step 4	<b>interface interface-id</b>	Enter interface configuration mode, and specify the interface to configure.
Step 5	<b>no shutdown</b>	Enable the interface if necessary. By default, UNIs and ENIs are disabled and NNIs are enabled.



	Command	Purpose
Step 6	<b>arp timeout</b> <i>seconds</i>	(Optional) Set the length of time an ARP cache entry will stay in the cache. The default is 14400 seconds (4 hours). The range is 0 to 2147483 seconds.
Step 7	<b>end</b>	Return to privileged EXEC mode.
Step 8	<b>show interfaces</b> [ <i>interface-id</i> ]	Verify the type of ARP and the timeout value used on all interfaces or a specific interface.
Step 9	<b>show arp</b> or <b>show ip arp</b>	View the contents of the ARP cache.
Step 10	<b>copy running-config startup-config</b>	(Optional) Save your entries in the configuration file.

To remove an entry from the ARP cache, use the **no arp ip-address hardware-address type** global configuration command. To remove all nonstatic entries from the ARP cache, use the **clear arp-cache** privileged EXEC command.

## Set ARP Encapsulation

By default, Ethernet ARP encapsulation (represented by the **arpa** keyword) is enabled on an IP interface. You can change the encapsulation methods to SNAP if required by your network.

Beginning in privileged EXEC mode, follow these steps to specify the ARP encapsulation type:

	Command	Purpose
Step 1	<b>configure terminal</b>	Enter global configuration mode.
Step 2	<b>interface</b> <i>interface-id</i>	Enter interface configuration mode, and specify the Layer 3 interface to configure.
Step 3	<b>no shutdown</b>	Enable the interface if necessary. By default, UNIs and ENIs are disabled and NNIs are enabled.
Step 4	<b>arp</b> { <b>arpa</b> / <b>snap</b> }	Specify the ARP encapsulation method: <ul style="list-style-type: none"> <li>• <b>arpa</b>—Address Resolution Protocol</li> <li>• <b>snap</b>—Subnetwork Address Protocol</li> </ul>
Step 5	<b>end</b>	Return to privileged EXEC mode.
Step 6	<b>show interfaces</b> [ <i>interface-id</i> ]	Verify ARP encapsulation configuration on all interfaces or the specified interface.
Step 7	<b>copy running-config startup-config</b>	(Optional) Save your entries in the configuration file.

To disable an encapsulation type, use the **no arp arpa** or **no arp snap** interface configuration command.

## Enable Proxy ARP

By default, the switch uses proxy ARP to help hosts learn MAC addresses of hosts on other networks or subnets.

Beginning in privileged EXEC mode, follow these steps to enable proxy ARP if it has been disabled:

	Command	Purpose
Step 1	<b>configure terminal</b>	Enter global configuration mode.
Step 2	<b>interface</b> <i>interface-id</i>	Enter interface configuration mode, and specify the Layer 3 interface to configure.
Step 3	<b>no shutdown</b>	Enable the interface if necessary. By default, UNIs and ENIs are disabled and NNIs are enabled.
Step 4	<b>ip proxy-arp</b>	Enable proxy ARP on the interface.
Step 5	<b>end</b>	Return to privileged EXEC mode.
Step 6	<b>show ip interface</b> [ <i>interface-id</i> ]	Verify the configuration on the interface or all interfaces.
Step 7	<b>copy running-config startup-config</b>	(Optional) Save your entries in the configuration file.

To disable proxy ARP on the interface, use the **no ip proxy-arp** interface configuration command.

## Routing Assistance When IP Routing is Disabled

These mechanisms allow the switch to learn about routes to other networks when it does not have IP routing enabled:

- [Proxy ARP, page 36-10](#)
- [Default Gateway, page 36-10](#)
- [ICMP Router Discovery Protocol \(IRDP\), page 36-11](#)

### Proxy ARP

Proxy ARP, the most common method for learning about other routes, enables an Ethernet host with no routing information to communicate with hosts on other networks or subnets. The host assumes that all hosts are on the same local Ethernet and that they can use ARP to learn their MAC addresses. If a switch receives an ARP request for a host that is not on the same network as the sender, the switch evaluates whether it has the best route to that host. If it does, it sends an ARP reply packet with its own Ethernet MAC address, and the host that sent the request sends the packet to the switch, which forwards it to the intended host. Proxy ARP treats all networks as if they are local and performs ARP requests for every IP address.

Proxy ARP is enabled by default. To enable it after it has been disabled, see the [“Enable Proxy ARP” section on page 36-9](#). Proxy ARP works as long as other routers support it.

### Default Gateway

Another method for locating routes is to define a default router or default gateway. All nonlocal packets are sent to this router, which either routes them appropriately or sends an IP Control Message Protocol (ICMP) redirect message back, defining which local router the host should use. The switch caches the redirect messages and forwards each packet as efficiently as possible. A limitation of this method is that there is no means of detecting when the default router has gone down or is unavailable.

Beginning in privileged EXEC mode, follow these steps to define a default gateway (router) when IP routing is disabled:

	Command	Purpose
Step 1	<b>configure terminal</b>	Enter global configuration mode.
Step 2	<b>ip default-gateway</b> <i>ip-address</i>	Set up a default gateway (router).
Step 3	<b>end</b>	Return to privileged EXEC mode.
Step 4	<b>show ip redirects</b>	Display the address of the default gateway router to verify the setting.
Step 5	<b>copy running-config startup-config</b>	(Optional) Save your entries in the configuration file.

Use the **no ip default-gateway** global configuration command to disable this function.

## ICMP Router Discovery Protocol (IRDP)

Router discovery allows the switch to dynamically learn about routes to other networks using IRDP. IRDP allows hosts to locate routers. When operating as a client, the switch generates router discovery packets. When operating as a host, the switch receives router discovery packets. The switch can also listen to Routing Information Protocol (RIP) routing updates and use this information to infer locations of routers. The switch does not actually store the routing tables sent by routing devices; it merely keeps track of which systems are sending the data. The advantage of using IRDP is that it allows each router to specify both a priority and the time after which a device is assumed to be down if no further packets are received.

Each device discovered becomes a candidate for the default router, and a new highest-priority router is selected when a higher priority router is discovered, when the current default router is declared down, or when a TCP connection is about to time out because of excessive retransmissions.

The only required task for IRDP routing on an interface is to enable IRDP processing on that interface. When enabled, the default parameters apply. You can optionally change any of these parameters.

Beginning in privileged EXEC mode, follow these steps to enable and configure IRDP on an interface:

	Command	Purpose
Step 1	<b>configure terminal</b>	Enter global configuration mode.
Step 2	<b>interface</b> <i>interface-id</i>	Enter interface configuration mode, and specify the Layer 3 interface to configure.
Step 3	<b>no shutdown</b>	Enable the interface if necessary. By default, UNIs and ENIs are disabled and NNIs are enabled.
Step 4	<b>ip irdp</b>	Enable IRDP processing on the interface.
Step 5	<b>ip irdp multicast</b>	(Optional) Send IRDP advertisements to the multicast address (224.0.0.1) instead of IP broadcasts.  <b>Note</b> This command allows for compatibility with Sun Microsystems Solaris, which requires IRDP packets to be sent out as multicasts. Many implementations cannot receive these multicasts; ensure end-host ability before using this command.
Step 6	<b>ip irdp holdtime</b> <i>seconds</i>	(Optional) Set the IRDP period for which advertisements are valid. The default is three times the <b>maxadvertinterval</b> value. It must be greater than <b>maxadvertinterval</b> and cannot be greater than 9000 seconds. If you change the <b>maxadvertinterval</b> value, this value also changes.

	Command	Purpose
Step 7	<b>ip irdp maxadvertinterval</b> <i>seconds</i>	(Optional) Set the IRDP maximum interval between advertisements. The default is 600 seconds.
Step 8	<b>ip irdp minadvertinterval</b> <i>seconds</i>	(Optional) Set the IRDP minimum interval between advertisements. The default is 0.75 times the <b>maxadvertinterval</b> . If you change the <b>maxadvertinterval</b> , this value changes to the new default (0.75 of <b>maxadvertinterval</b> ).
Step 9	<b>ip irdp preference</b> <i>number</i>	(Optional) Set a device IRDP preference level. The allowed range is $-2^{31}$ to $2^{31}$ . The default is 0. A higher value increases the router preference level.
Step 10	<b>ip irdp address</b> <i>address</i> [ <i>number</i> ]	(Optional) Specify an IRDP address and preference to proxy-advertise.
Step 11	<b>end</b>	Return to privileged EXEC mode.
Step 12	<b>show ip irdp</b>	Verify settings by displaying IRDP values.
Step 13	<b>copy running-config startup-config</b>	(Optional) Save your entries in the configuration file.

If you change the **maxadvertinterval** value, the **holdtime** and **minadvertinterval** values also change, so it is important to first change the **maxadvertinterval** value, before manually changing either the **holdtime** or **minadvertinterval** values.

Use the **no ip irdp** interface configuration command to disable IRDP routing.

## Configuring Broadcast Packet Handling

After configuring an IP interface address, you can enable routing and configure one or more routing protocols, or you can configure the way the switch responds to network broadcasts. A broadcast is a data packet destined for all hosts on a physical network. The switch supports two kinds of broadcasting:

- A directed broadcast packet is sent to a specific network or series of networks. A directed broadcast address includes the network or subnet fields.
- A flooded broadcast packet is sent to every network.



### Note

You can also limit broadcast, unicast, and multicast traffic on Layer 2 interfaces by using the **storm-control** interface configuration command to set traffic suppression levels. For more information, see [Chapter 23, “Configuring Port-Based Traffic Control.”](#)

Routers provide some protection from broadcast storms by limiting their extent to the local cable. Bridges (including intelligent bridges), because they are Layer 2 devices, forward broadcasts to all network segments, thus propagating broadcast storms. The best solution to the broadcast storm problem is to use a single broadcast address scheme on a network. In most modern IP implementations, you can set the address to be used as the broadcast address. The switch supports several addressing schemes for forwarding broadcast messages.

- [Enabling Directed Broadcast-to-Physical Broadcast Translation, page 36-13](#)
- [Forwarding UDP Broadcast Packets and Protocols, page 36-14](#)
- [Establishing an IP Broadcast Address, page 36-14](#)
- [Flooding IP Broadcasts, page 36-15](#)

## Enabling Directed Broadcast-to-Physical Broadcast Translation

By default, IP-directed broadcasts are not forwarded; they are dropped to make routers less susceptible to denial-of-service attacks. You can enable forwarding of IP-directed broadcasts on an interface where the broadcast becomes a physical (MAC-layer) broadcast. Only those protocols configured by using the **ip forward-protocol** global configuration command are forwarded.

You can specify an access list to control which broadcasts are forwarded. Only those IP packets permitted by the access list are eligible to be translated from directed broadcasts to physical broadcasts. For more information on access lists, see [Chapter 32, “Configuring Network Security with ACLs.”](#)

Beginning in privileged EXEC mode, follow these steps to enable forwarding of IP-directed broadcasts on an interface:

	Command	Purpose
Step 1	<b>configure terminal</b>	Enter global configuration mode.
Step 2	<b>interface</b> <i>interface-id</i>	Enter interface configuration mode, and specify the interface to configure.
Step 3	<b>no shutdown</b>	Enable the interface if necessary. By default, UNIs and ENIs are disabled and NNIs are enabled.
Step 4	<b>ip directed-broadcast</b> [ <i>access-list-number</i> ]	Enable directed broadcast-to-physical broadcast translation on the interface. You can include an access list to control which broadcasts are forwarded. When an access list is specified, only IP packets permitted by the access list are eligible to be translated.
Step 5	<b>exit</b>	Return to global configuration mode.
Step 6	<b>ip forward-protocol</b> { <b>udp</b> [ <i>port</i> ]   <b>nd</b>   <b>sdns</b> }	Specify which protocols and ports the router forwards when forwarding broadcast packets. <ul style="list-style-type: none"> <li>• <b>udp</b>—Forward UDP datagrams. <i>port</i>: (Optional) Destination port that controls which UDP services are forwarded.</li> <li>• <b>nd</b>—Forward ND datagrams.</li> <li>• <b>sdns</b>—Forward SDNS datagrams</li> </ul>
Step 7	<b>end</b>	Return to privileged EXEC mode.
Step 8	<b>show ip interface</b> [ <i>interface-id</i> ] or <b>show running-config</b>	Verify the configuration on the interface or all interfaces.
Step 9	<b>copy running-config startup-config</b>	(Optional) Save your entries in the configuration file.

Use the **no ip directed-broadcast** interface configuration command to disable translation of directed broadcast to physical broadcasts. Use the **no ip forward-protocol** global configuration command to remove a protocol or port.

## Forwarding UDP Broadcast Packets and Protocols

User Datagram Protocol (UDP) is an IP host-to-host layer protocol that provides a low-overhead, connectionless session between two end systems and does not provide for acknowledgment of received datagrams. Network hosts occasionally use UDP broadcasts to find address, configuration, and name information. If such a host is on a network segment that does not include a server, UDP broadcasts are normally not forwarded. You can configure an interface on a router to forward certain classes of broadcasts to a helper address. You can use more than one helper address per interface.

You can specify a UDP destination port to control which UDP services are forwarded. You can specify multiple UDP protocols. You can also specify the Network Disk (ND) protocol, which is used by older diskless Sun workstations and the network security protocol SDNS.

By default, both UDP and ND forwarding are enabled if a helper address has been defined for an interface. The description for the **ip forward-protocol** interface configuration command in the *Cisco IOS IP Command Reference, Volume 1 of 3: Addressing and Services, Release 12.2* lists the ports that are forwarded by default if you do not specify any UDP ports.

If you do not specify any UDP ports when you configure the forwarding of UDP broadcasts, you are configuring the router to act as a BOOTP forwarding agent. BOOTP packets carry DHCP information.

Beginning in privileged EXEC mode, follow these steps to enable forwarding UDP broadcast packets on an interface and specify the destination address:

	Command	Purpose
Step 1	<b>configure terminal</b>	Enter global configuration mode.
Step 2	<b>interface</b> <i>interface-id</i>	Enter interface configuration mode, and specify the Layer 3 interface to configure.
Step 3	<b>no shutdown</b>	Enable the interface if necessary. By default, UNIs and ENIs are disabled and NNIs are enabled.
Step 4	<b>ip helper-address</b> <i>address</i>	Enable forwarding and specify the destination address for forwarding UDP broadcast packets, including BOOTP.
Step 5	<b>exit</b>	Return to global configuration mode.
Step 6	<b>ip forward-protocol</b> { <b>udp</b> [ <i>port</i> ]   <b>nd</b>   <b>sdns</b> }	Specify which protocols the router forwards when forwarding broadcast packets.
Step 7	<b>end</b>	Return to privileged EXEC mode.
Step 8	<b>show ip interface</b> [ <i>interface-id</i> ] or <b>show running-config</b>	Verify the configuration on the interface or all interfaces.
Step 9	<b>copy running-config startup-config</b>	(Optional) Save your entries in the configuration file.

Use the **no ip helper-address** interface configuration command to disable the forwarding of broadcast packets to specific addresses. Use the **no ip forward-protocol** global configuration command to remove a protocol or port.

## Establishing an IP Broadcast Address

The most popular IP broadcast address (and the default) is an address consisting of all ones (255.255.255.255). However, the switch can be configured to generate any form of IP broadcast address.

Beginning in privileged EXEC mode, follow these steps to set the IP broadcast address on an interface:

	Command	Purpose
Step 1	<b>configure terminal</b>	Enter global configuration mode.
Step 2	<b>interface</b> <i>interface-id</i>	Enter interface configuration mode, and specify the interface to configure.
Step 3	<b>no shutdown</b>	Enable the interface if necessary. By default, UNIs and ENIs are disabled and NNIs are enabled.
Step 4	<b>ip broadcast-address</b> <i>ip-address</i>	Enter a broadcast address different from the default, for example 128.1.255.255.
Step 5	<b>end</b>	Return to privileged EXEC mode.
Step 6	<b>show ip interface</b> [ <i>interface-id</i> ]	Verify the broadcast address on the interface or all interfaces.
Step 7	<b>copy running-config startup-config</b>	(Optional) Save your entries in the configuration file.

To restore the default IP broadcast address, use the **no ip broadcast-address** interface configuration command.

## Flooding IP Broadcasts

You can allow IP broadcasts to be flooded throughout your internetwork in a controlled fashion by using the database created by the bridging STP. Using this feature also prevents loops. To support this capability, bridging must be configured on each interface that is to participate in the flooding. If bridging is not configured on an interface, the interface can receive broadcasts but it never forwards the broadcasts it receives, and the router never uses that interface to send broadcasts received on a different interface.

Packets that are forwarded to a single network address using the IP helper-address mechanism can be flooded. Only one copy of the packet is sent on each network segment.

To be considered for flooding, packets must meet these criteria. (Note that these are the same conditions used to consider packet forwarding using IP helper addresses.)

- The packet must be a MAC-level broadcast.
- The packet must be an IP-level broadcast.
- The packet must be a TFTP, DNS, Time, NetBIOS, ND, or BOOTP packet, or a UDP specified by the **ip forward-protocol udp** global configuration command.
- The time-to-live (TTL) value of the packet must be at least two.

A flooded UDP datagram is given the destination address specified with the **ip broadcast-address** interface configuration command on the output interface. The destination address can be set to any address so it might change as the datagram propagates through the network. The source address is never changed. The TTL value is decremented.

When a flooded UDP datagram is sent out an interface (and the destination address possibly changed), the datagram is handed to the normal IP output routines and is, therefore, subject to access lists, if they are present on the output interface.

Beginning in privileged EXEC mode, follow these steps to use the bridging spanning-tree database to flood UDP datagrams:

	Command	Purpose
Step 1	<b>configure terminal</b>	Enter global configuration mode.
Step 2	<b>ip forward-protocol spanning-tree</b>	Use the bridging spanning-tree database to flood UDP datagrams.
Step 3	<b>end</b>	Return to privileged EXEC mode.
Step 4	<b>show running-config</b>	Verify your entry.
Step 5	<b>copy running-config startup-config</b>	(Optional) Save your entry in the configuration file.

Use the **no ip forward-protocol spanning-tree** global configuration command to disable the flooding of IP broadcasts.

In the switch, the majority of packets are forwarded in hardware; most packets do not go through the switch CPU. For those packets that do go to the CPU, you can speed up spanning tree-based UDP flooding by a factor of about four to five times by using turbo-flooding. This feature is supported over Ethernet interfaces configured for ARP encapsulation.

Beginning in privileged EXEC mode, follow these steps to increase spanning-tree-based flooding:

	Command	Purpose
Step 1	<b>configure terminal</b>	Enter global configuration mode
Step 2	<b>ip forward-protocol turbo-flood</b>	Use the spanning-tree database to speed up flooding of UDP datagrams.
Step 3	<b>end</b>	Return to privileged EXEC mode.
Step 4	<b>show running-config</b>	Verify your entry.
Step 5	<b>copy running-config startup-config</b>	(Optional) Save your entry in the configuration file.

To disable this feature, use the **no ip forward-protocol turbo-flood** global configuration command.

## Monitoring and Maintaining IP Addressing

When the contents of a particular cache, table, or database have become or are suspected to be invalid, you can remove all its contents by using the **clear** privileged EXEC commands.

**Table 36-2** Commands to Clear Caches, Tables, and Databases

Command	Purpose
<b>clear arp-cache</b>	Clear the IP ARP cache and the fast-switching cache.
<b>clear host</b> {name   *}	Remove one or all entries from the hostname and the address cache.
<b>clear ip route</b> {network [mask]  *}	Remove one or more routes from the IP routing table.

You can display specific statistics, such as the contents of IP routing tables, caches, and databases; the reachability of nodes; and the routing path that packets are taking through the network.



Table 36-3 Commands to Display Caches, Tables, and Databases

Command	Purpose
<b>show arp</b>	Display the entries in the ARP table.
<b>show hosts</b>	Display the default domain name, style of lookup service, name server hosts, and the cached list of hostnames and addresses.
<b>show ip aliases</b>	Display IP addresses mapped to TCP ports (aliases).
<b>show ip arp</b>	Display the IP ARP cache.
<b>show ip interface</b> <i>[interface-id]</i>	Display the IP status of interfaces.
<b>show ip irdp</b>	Display IRDP values.
<b>show ip masks</b> <i>address</i>	Display the masks used for network addresses and the number of subnets using each mask.
<b>show ip redirects</b>	Display the address of a default gateway.
<b>show ip route</b> <i>[address [mask]]   [protocol]</i>	Display the current state of the routing table.
<b>show ip route summary</b>	Display the current state of the routing table in summary form.

## Enabling IPv4 Unicast Routing

By default, the switch is in Layer 2 switching mode and IP routing is disabled. To use the Layer 3 capabilities of the switch, you must enable IP routing.

Beginning in privileged EXEC mode, follow these steps to enable IP routing:

	Command	Purpose
Step 1	<b>configure terminal</b>	Enter global configuration mode.
Step 2	<b>ip routing</b>	Enable IP routing.
Step 3	<b>router</b> <i>ip_routing_protocol</i>	Specify an IP routing protocol. This step might include other commands, such as specifying the networks to route with the <b>network</b> (RIP) router configuration command. For information on specific protocols, see sections later in this chapter and to the <i>Cisco IOS IP Configuration Guide, Release 12.2</i> .
Step 4	<b>end</b>	Return to privileged EXEC mode.
Step 5	<b>show running-config</b>	Verify your entries.
Step 6	<b>copy running-config startup-config</b>	(Optional) Save your entries in the configuration file.

Use the **no ip routing** global configuration command to disable routing.

This example shows how to enable IP routing using RIP as the routing protocol:

```
Switch# configure terminal
Enter configuration commands, one per line. End with CNTL/Z.
Switch(config)# ip routing
Switch(config)# router rip
Switch(config-router)# network 10.0.0.0
Switch(config-router)# end
```

You can now set up parameters for the selected routing protocols as described in these sections:

- [Configuring RIP, page 36-18](#)
- [Configuring OSPF, page 36-23](#)
- [Configuring EIGRP, page 36-34](#)
- [Configuring BGP, page 36-42](#)
- [Configuring ISO CLNS Routing, page 36-62](#)
- [Configuring BFD for OSPF, page 36-76](#)
- [Configuring Protocol-Independent Features, page 36-95](#) (optional)

## Configuring RIP

The Routing Information Protocol (RIP) is an interior gateway protocol (IGP) used in small, homogeneous networks. It is a distance-vector routing protocol that uses broadcast User Datagram Protocol (UDP) data packets to exchange routing information. You can find detailed information about RIP in *IP Routing Fundamentals*, published by Cisco Press.

Using RIP, the switch sends routing information updates (advertisements) every 30 seconds. If a router does not receive an update from another router for 180 seconds or more, it marks the routes served by that router as unusable. If there is still no update after 240 seconds, the router removes all routing table entries for the non-updating router.

RIP uses hop counts to rate the value of different routes. The hop count is the number of routers that can be traversed in a route. A directly connected network has a hop count of zero; a network with a hop count of 16 is unreachable. This small range (0 to 15) makes RIP unsuitable for large networks.

If the router has a default network path, RIP advertises a route that links the router to the pseudonetwork 0.0.0.0. The 0.0.0.0 network does not exist, but is treated by RIP as a network to implement default routing. The switch advertises the default network if a default was learned by RIP or if the router has a gateway of last resort and RIP is configured with a default metric. RIP sends updates to the interfaces in specified networks. If an interface's network is not specified, it is not advertised in any RIP update.

These sections contain this configuration information:

- [Default RIP Configuration, page 36-18](#)
- [Configuring Basic RIP Parameters, page 36-19](#)
- [Configuring RIP Authentication, page 36-21](#)
- [Configuring Split Horizon, page 36-21](#)

## Default RIP Configuration

*Table 36-4 Default RIP Configuration*

Feature	Default Setting
Auto summary	Enabled.
Default-information originate	Disabled.
Default metric	Built-in; automatic metric translations.

Table 36-4 Default RIP Configuration (continued)

Feature	Default Setting
IP RIP authentication key-chain	No authentication. Authentication mode: clear text.
IP RIP receive version	According to the <b>version</b> router configuration command.
IP RIP send version	According to the <b>version</b> router configuration command.
IP RIP triggered	According to the <b>version</b> router configuration command.
IP split horizon	Varies with media.
Neighbor	None defined.
Network	None specified.
Offset list	Disabled.
Output delay	0 milliseconds.
Timers basic	<ul style="list-style-type: none"> <li>• Update: 30 seconds.</li> <li>• Invalid: 180 seconds.</li> <li>• Hold-down: 180 seconds.</li> <li>• Flush: 240 seconds.</li> </ul>
Validate-update-source	Enabled.
Version	Receives RIP Version 1 and 2 packets; sends Version 1 packets.

## Configuring Basic RIP Parameters

To configure RIP, you enable RIP routing for a network and optionally configure other parameters. On the Cisco ME 3400E switch, RIP configuration commands are ignored until you configure the network number.

Beginning in privileged EXEC mode, follow these steps to enable and configure RIP:

	Command	Purpose
Step 1	<b>configure terminal</b>	Enter global configuration mode.
Step 2	<b>ip routing</b>	Enable IP routing. (Required only if IP routing is disabled.)
Step 3	<b>router rip</b>	Enable a RIP routing process, and enter router configuration mode.
Step 4	<b>network</b> <i>network number</i>	Associate a network with a RIP routing process. You can specify multiple <b>network</b> commands. RIP routing updates are sent and received through interfaces only on these networks.  <b>Note</b> You must configure a network number for RIP commands to take effect.
Step 5	<b>neighbor</b> <i>ip-address</i>	(Optional) Define a neighboring router with which to exchange routing information. This step allows routing updates from RIP (normally a broadcast protocol) to reach nonbroadcast networks.
Step 6	<b>offset list</b> [ <i>access-list number / name</i> ] { <b>in</b>   <b>out</b> } <i>offset [type number]</i>	(Optional) Apply an offset list to routing metrics to increase incoming and outgoing metrics to routes learned through RIP. You can limit the offset list with an access list or an interface.

	Command	Purpose
Step 7	<b>timers basic</b> <i>update invalid holddown flush</i>	(Optional) Adjust routing protocol timers. Valid ranges for all timers are 0 to 4294967295 seconds. <ul style="list-style-type: none"> <li>• <i>update</i>—The time between sending routing updates. The default is 30 seconds.</li> <li>• <i>invalid</i>—The timer after which a route is declared invalid. The default is 180 seconds.</li> <li>• <i>holddown</i>—The time before a route is removed from the routing table. The default is 180 seconds.</li> <li>• <i>flush</i>—The amount of time for which routing updates are postponed. The default is 240 seconds.</li> </ul>
Step 8	<b>version</b> {1   2}	(Optional) Configure the switch to receive and send only RIP Version 1 or RIP Version 2 packets. By default, the switch receives Version 1 and 2 but sends only Version 1. You can also use the interface commands <b>ip rip {send   receive} version 1   2   1 2</b> to control what versions are used for sending and receiving on interfaces.
Step 9	<b>no auto summary</b>	(Optional) Disable automatic summarization. By default, the switch summarizes subprefixes when crossing classful network boundaries. Disable summarization (RIP Version 2 only) to advertise subnet and host routing information to classful network boundaries.
Step 10	<b>no validate-update-source</b>	(Optional) Disable validation of the source IP address of incoming RIP routing updates. By default, the switch validates the source IP address of incoming RIP routing updates and discards the update if the source address is not valid. Under normal circumstances, disabling this feature is not recommended. However, if you have a router that is off-network and you want to receive its updates, you can use this command.
Step 11	<b>output-delay</b> <i>delay</i>	(Optional) Add interpacket delay for RIP updates sent. By default, packets in a multiple-packet RIP update have no delay added between packets. If you are sending packets to a lower-speed device, you can add an interpacket delay in the range of 8 to 50 milliseconds.
Step 12	<b>end</b>	Return to privileged EXEC mode.
Step 13	<b>show ip protocols</b>	Verify your entries.
Step 14	<b>copy running-config startup-config</b>	(Optional) Save your entries in the configuration file.

To turn off the RIP routing process, use the **no router rip** global configuration command.

To display the parameters and current state of the active routing protocol process, use the **show ip protocols** privileged EXEC command. Use the **show ip rip database** privileged EXEC command to display summary address entries in the RIP database.

## Configuring RIP Authentication

RIP Version 1 does not support authentication. If you are sending and receiving RIP Version 2 packets, you can enable RIP authentication on an interface. The key chain specifies the set of keys that can be used on the interface. If a key chain is not configured, no authentication is performed, not even the default. Therefore, you must also perform the tasks in the “[Managing Authentication Keys](#)” section on page 36-109.

The switch supports two modes of authentication on interfaces for which RIP authentication is enabled: plain text and MD5. The default is plain text.

Beginning in privileged EXEC mode, follow these steps to configure RIP authentication on an interface:

	Command	Purpose
Step 1	<b>configure terminal</b>	Enter global configuration mode.
Step 2	<b>interface</b> <i>interface-id</i>	Enter interface configuration mode, and specify the interface to configure.
Step 3	<b>no shutdown</b>	Enable the interface if necessary. By default, UNIs and ENIs are disabled and NNIs are enabled.
Step 4	<b>ip rip authentication key-chain</b> <i>name-of-chain</i>	Enable RIP authentication.
Step 5	<b>ip rip authentication mode</b> [text   md5]	Configure the interface to use plain text authentication (the default) or MD5 digest authentication.
Step 6	<b>end</b>	Return to privileged EXEC mode.
Step 7	<b>show running-config interface</b> [ <i>interface-id</i> ]	Verify your entries.
Step 8	<b>copy running-config startup-config</b>	(Optional) Save your entries in the configuration file.

To restore clear text authentication, use the **no ip rip authentication mode** interface configuration command. To prevent authentication, use the **no ip rip authentication key-chain** interface configuration command.

## Configuring Split Horizon

Routers connected to broadcast-type IP networks and using distance-vector routing protocols normally use the split-horizon mechanism to reduce the possibility of routing loops. Split horizon blocks information about routes from being advertised by a router on any interface from which that information originated. This feature can optimize communication among multiple routers when links are broken.



### Note

In general, Cisco does not recommend disabling split horizon unless you are certain that your application requires it to properly advertise routes.

Beginning in privileged EXEC mode, follow these steps to disable split horizon on the interface:

	Command	Purpose
Step 1	<b>configure terminal</b>	Enter global configuration mode.
Step 2	<b>interface</b> <i>interface-id</i>	Enter interface configuration mode, and specify the interface to configure.

	Command	Purpose
Step 3	<b>no shutdown</b>	Enable the interface if necessary. By default, UNIs and ENIs are disabled and NNIs are enabled.
Step 4	<b>ip address</b> <i>ip-address subnet-mask</i>	Configure the IP address and IP subnet.
Step 5	<b>no ip split-horizon</b>	Disable split horizon on the interface.
Step 6	<b>end</b>	Return to privileged EXEC mode.
Step 7	<b>show ip interface</b> <i>interface-id</i>	Verify your entries.
Step 8	<b>copy running-config startup-config</b>	(Optional) Save your entries in the configuration file.

To enable the split horizon mechanism, use the **ip split-horizon** interface configuration command.

## Configuring Summary Addresses

To configure an interface running RIP to advertise a summarized local IP address pool on a network access server for dial-up clients, use the **ip summary-address rip** interface configuration command.



### Note

If split horizon is enabled, neither autosummary nor interface IP summary addresses are advertised.

Beginning in privileged EXEC mode, follow these steps to set an interface to advertise a summarized local IP address and to disable split horizon on the interface:

	Command	Purpose
Step 1	<b>configure terminal</b>	Enter global configuration mode.
Step 2	<b>interface</b> <i>interface-id</i>	Enter interface configuration mode, and specify the Layer 3 interface to configure.
Step 3	<b>no shutdown</b>	Enable the interface if necessary. By default, UNIs and ENIs are disabled and NNIs are enabled.
Step 4	<b>ip address</b> <i>ip-address subnet-mask</i>	Configure the IP address and IP subnet.
Step 5	<b>ip summary-address rip</b> <i>ip address ip-network mask</i>	Configure the IP address to be summarized and the IP network mask.
Step 6	<b>no ip split horizon</b>	Disable split horizon on the interface.
Step 7	<b>end</b>	Return to privileged EXEC mode.
Step 8	<b>show ip interface</b> <i>interface-id</i>	Verify your entries.
Step 9	<b>copy running-config startup-config</b>	(Optional) Save your entries in the configuration file.

To disable IP summarization, use the **no ip summary-address rip** router configuration command.

In this example, the major net is 10.0.0.0. The summary address 10.2.0.0 overrides the autosummary address of 10.0.0.0 so that 10.2.0.0 is advertised out interface Gigabit Ethernet port 2, and 10.0.0.0 is not advertised. If the interface is in Layer 2 mode (the default), you must enter a **no switchport** interface configuration command before entering the **ip address** interface configuration command.



Note

If split horizon is enabled, neither autosummary nor interface summary addresses (those configured with the **ip summary-address rip** router configuration command) are advertised.

```
Switch(config)# router rip
Switch(config-router)# interface gi0/2
Switch(config-if)# no switchport
Switch(config-if)# ip address 10.1.5.1 255.255.255.0
Switch(config-if)# ip summary-address rip 10.2.0.0 255.255.0.0
Switch(config-if)# no ip split-horizon
Switch(config-if)# exit
Switch(config)# router rip
Switch(config-router)# network 10.0.0.0
Switch(config-router)# neighbor 2.2.2.2 peer-group mygroup
Switch(config-router)# end
```

## Configuring OSPF

Open Shortest Path First (OSPF) is an Interior Gateway Protocol (IGP) designed expressly for IP networks, supporting IP subnetting and tagging of externally derived routing information. OSPF also allows packet authentication and uses IP multicast when sending and receiving packets.

This section briefly describes how to configure OSPF. For a complete description of the OSPF commands, see the “OSPF Commands” chapter of the *Cisco IOS IP Command Reference, Volume 2 of 3: Routing Protocols, Release 12.2*.



Note

OSPF classifies different media into broadcast, nonbroadcast multiaccess (NBMA), or point-to-point networks. Broadcast and nonbroadcast networks can also be configured as point-to-multipoint networks. The switch supports all these network types.

The Cisco implementation conforms to the OSPF Version 2 specifications with these key features:

- Definition of stub areas is supported.
- Routes learned through any IP routing protocol can be redistributed into another IP routing protocol. At the intradomain level, this means that OSPF can import routes learned through EIGRP and RIP. OSPF routes can also be exported into RIP.
- Plain text and MD5 authentication among neighboring routers within an area is supported.
- Configurable routing interface parameters include interface output cost, retransmission interval, interface transmit delay, router priority, router dead and hello intervals, and authentication key.
- Virtual links are supported.
- Not-so-stubby-areas (NSSAs) per RFC 1587 are supported.

OSPF typically requires coordination among many internal routers, *area border routers* (ABRs) connected to multiple areas, and *autonomous system boundary routers* (ASBRs). The minimum configuration would use all default parameter values, no authentication, and interfaces assigned to areas. If you customize your environment, you must ensure coordinated configuration of all routers.

These sections contain this configuration information:

- [Default OSPF Configuration, page 36-24](#)
- [Nonstop Forwarding Awareness, page 36-25](#)

- [Configuring OSPF Interfaces, page 36-26](#)
- [Configuring OSPF Network Types, page 36-27](#)
- [Configuring OSPF Area Parameters, page 36-30](#)
- [Configuring Other OSPF Parameters, page 36-31](#)
- [Changing LSA Group Pacing, page 36-32](#)
- [Configuring a Loopback Interface, page 36-33](#)
- [Monitoring OSPF, page 36-34](#)

## Default OSPF Configuration

**Table 36-5** *Default OSPF Configuration*

Feature	Default Setting
Interface parameters	Cost: No default cost predefined. Retransmit interval: 5 seconds. Transmit delay: 1 second. Priority: 1. Hello interval: 10 seconds. Dead interval: 4 times the hello interval. No authentication. No password specified. MD5 authentication disabled.
Area	Authentication type: 0 (no authentication). Default cost: 1. Range: Disabled. Stub: No stub area defined. NSSA: No NSSA area defined.
Auto cost	100 Mbps.
Default-information originate	Disabled. When enabled, the default metric setting is 10, and the external route type default is Type 2.
Default metric	Built-in, automatic metric translation, as appropriate for each routing protocol.
Distance OSPF	dist1 (all routes within an area): 110. dist2 (all routes from one area to another): 110. and dist3 (routes from other routing domains): 110.
OSPF database filter	Disabled. All outgoing link-state advertisements (LSAs) are flooded to the interface.
IP OSPF name lookup	Disabled.
Log adjacency changes	Enabled.
Neighbor	None specified.
Neighbor database filter	Disabled. All outgoing LSAs are flooded to the neighbor.



Table 36-5 Default OSPF Configuration (continued)

Feature	Default Setting
Network area	Disabled.
NSF <sup>1</sup> awareness	Enabled <sup>2</sup> . Allows Layer 3 switches to continue forwarding packets from a neighboring NSF-capable router during hardware or software changes.
Router ID	No OSPF routing process defined.
Summary address	Disabled.
Timers LSA group pacing	240 seconds.
Timers shortest path first (spf)	spf delay: 5 seconds. spf-holdtime: 10 seconds.
Virtual link	No area ID or router ID defined. Hello interval: 10 seconds. Retransmit interval: 5 seconds. Transmit delay: 1 second. Dead interval: 40 seconds. Authentication key: no key predefined. Message-digest key (MD5): no key predefined.

1. NSF = Nonstop forwarding

2. OSPF NSF awareness is enabled for IPv4 on switches running the metro IP access image

## Nonstop Forwarding Awareness

The OSPF NSF Awareness feature is supported for IPv4 in the metro IP access image. When the neighboring router is NSF-capable, the Layer 3 switch continues to forward packets from the neighboring router during the interval between the primary Route Processor (RP) in a router crashing and the backup RP taking over, or while the primary RP is manually reloaded for a non-disruptive software upgrade.

This feature cannot be disabled.

## Configuring Basic OSPF Parameters

Enabling OSPF requires that you create an OSPF routing process, specify the range of IP addresses to be associated with the routing process, and assign area IDs to be associated with that range.

Beginning in privileged EXEC mode, follow these steps to enable OSPF:

	Command	Purpose
Step 1	<b>configure terminal</b>	Enter global configuration mode.
Step 2	<b>router ospf <i>process-id</i></b>	Enable OSPF routing, and enter router configuration mode. The process ID is an internally used identification parameter that is locally assigned and can be any positive integer. Each OSPF routing process has a unique value.

	Command	Purpose
Step 3	<b>network</b> <i>address wildcard-mask area area-id</i>	Define an interface on which OSPF runs and the area ID for that interface. You can use the wildcard-mask to use a single command to define one or more multiple interfaces to be associated with a specific OSPF area. The area ID can be a decimal value or an IP address.
Step 4	<b>end</b>	Return to privileged EXEC mode.
Step 5	<b>show ip protocols</b>	Verify your entries.
Step 6	<b>copy running-config startup-config</b>	(Optional) Save your entries in the configuration file.

To terminate an OSPF routing process, use the **no router ospf process-id** global configuration command.

This example shows how to configure an OSPF routing process and assign it a process number of 109:

```
Switch(config)# router ospf 109
Switch(config-router)# network 131.108.0.0 255.255.255.0 area 24
```

## Configuring OSPF Interfaces

You can use the **ip ospf** interface configuration commands to modify interface-specific OSPF parameters. You are not required to modify any of these parameters, but some interface parameters (hello interval, dead interval, and authentication key) must be consistent across all routers in an attached network. If you modify these parameters, be sure all routers in the network have compatible values.



### Note

The **ip ospf** interface configuration commands are all optional.

Beginning in privileged EXEC mode, follow these steps to modify OSPF interface parameters:

	Command	Purpose
Step 1	<b>configure terminal</b>	Enter global configuration mode.
Step 2	<b>interface</b> <i>interface-id</i>	Enter interface configuration mode, and specify the Layer 3 interface to configure.
Step 3	<b>no shutdown</b>	Enable the interface if necessary. By default, UNIs and ENIs are disabled and NNIs are enabled.
Step 4	<b>ip ospf cost</b>	(Optional) Explicitly specify the cost of sending a packet on the interface.
Step 5	<b>ip ospf retransmit-interval</b> <i>seconds</i>	(Optional) Specify the number of seconds between link state advertisement transmissions. The range is 1 to 65535 seconds. The default is 5 seconds.
Step 6	<b>ip ospf transmit-delay</b> <i>seconds</i>	(Optional) Set the estimated number of seconds to wait before sending a link state update packet. The range is 1 to 65535 seconds. The default is 1 second.
Step 7	<b>ip ospf priority</b> <i>number</i>	(Optional) Set priority to help find the OSPF designated router for a network. The range is from 0 to 255. The default is 1.

	Command	Purpose
Step 8	<b>ip ospf hello-interval</b> <i>seconds</i>	(Optional) Set the number of seconds between hello packets sent on an OSPF interface. The value must be the same for all nodes on a network. The range is 1 to 65535 seconds. The default is 10 seconds.
Step 9	<b>ip ospf dead-interval</b> <i>seconds</i>	(Optional) Set the number of seconds after the last device hello packet was seen before its neighbors declare the OSPF router to be down. The value must be the same for all nodes on a network. The range is 1 to 65535 seconds. The default is 4 times the hello interval.
Step 10	<b>ip ospf authentication-key</b> <i>key</i>	(Optional) Assign a password to be used by neighboring OSPF routers. The password can be any string of keyboard-entered characters up to 8 bytes in length. All neighboring routers on the same network must have the same password to exchange OSPF information.
Step 11	<b>ip ospf message digest-key</b> <i>keyid md5 key</i>	(Optional) Enable MDS authentication. <ul style="list-style-type: none"> <li><i>keyid</i>—An identifier from 1 to 255.</li> <li><i>key</i>—An alphanumeric password of up to 16 bytes.</li> </ul>
Step 12	<b>ip ospf database-filter all out</b>	(Optional) Block flooding of OSPF LSA packets to the interface. By default, OSPF floods new LSAs over all interfaces in the same area, except the interface on which the LSA arrives.
Step 13	<b>end</b>	Return to privileged EXEC mode.
Step 14	<b>show ip ospf interface</b> [ <i>interface-name</i> ]	Display OSPF-related interface information.
Step 15	<b>show ip ospf neighbor detail</b>	Display NSF awareness status of neighbor switch. The output matches one of these examples: <ul style="list-style-type: none"> <li><i>Options is 0x52</i> <i>LLS Options is 0x1 (LR)</i> When both of these lines appear, the neighbor switch is NSF aware.</li> <li><i>Options is 0x42</i>—This means the neighbor switch is not NSF aware.</li> </ul>
Step 16	<b>copy running-config startup-config</b>	(Optional) Save your entries in the configuration file.

Use the **no** form of these commands to remove the configured parameter value or return to the default value.

## Configuring OSPF Network Types

OSPF classifies different media into the three types of networks by default:

- Broadcast networks (Ethernet, Token Ring, and FDDI)
- Nonbroadcast multiaccess (NBMA) networks (Switched Multimegabit Data Service [SMDS], Frame Relay, and X.25)
- Point-to-point networks (High-Level Data Link Control [HDLC], PPP)

You can also configure network interfaces as either a broadcast or an NBMA network and as point-to-point or point-to-multipoint, regardless of the default media type.

## Configuring OSPF for Nonbroadcast Networks

Because many routers might be attached to an OSPF network, a designated router is selected for the network. If broadcast capability is not configured in the network, the designated router selection requires special configuration parameters. You need to configure these parameters only for devices that are eligible to become the designated router or backup designated router (in other words, routers with a nonzero router priority value).

Beginning in privileged EXEC mode, follow these steps to configure routers that interconnect to nonbroadcast networks:

	Command	Purpose
Step 1	<b>configure terminal</b>	Enter global configuration mode.
Step 2	<b>router ospf</b> <i>process-id</i>	Configure an OSPF routing process and enter router configuration mode.
Step 3	<b>neighbor</b> <i>ip-address</i> [ <b>priority</b> <i>number</i> ] [ <b>poll-interval</b> <i>seconds</i> ]	Specify an OSPF neighbor with neighbor parameters as required. <ul style="list-style-type: none"> <li><i>ip-address</i>—Enter the interface IP address of the OSPF neighbor.</li> <li>(Optional) <b>priority</b> <i>number</i>—Specify the router priority value of the nonbroadcast neighbor associated with the IP address. The range is 0 to 255; the default is 0.</li> <li>(Optional) <b>poll-interval</b> <i>seconds</i>—Specify a number that represents the poll interval time (in seconds). This value should be much larger than the hello interval. The range is 0-4294967295; the default is 120 seconds (2 minutes).</li> </ul>
Step 4	<b>end</b>	Return to privileged EXEC mode.
Step 5	<b>show ip ospf</b> [ <i>process-id</i> ]	Display OSPF-related information.
Step 6	<b>copy running-config startup-config</b>	(Optional) Save your entries in the configuration file.

On point-to-multipoint, nonbroadcast networks, you then use the **neighbor** router configuration command to identify neighbors. Assigning a cost to a neighbor is optional.

## Configuring Network Types for OSPF Interfaces

You can configure network interfaces as either broadcast or NBMA and as point-to-point or point-to-multipoint, regardless of the default media type.

An OSPF point-to-multipoint interface is defined as a numbered point-to-point interface with one or more neighbors. On point-to-multipoint broadcast networks, specifying neighbors is optional. When you configure an interface as point-to-multipoint when the media does not support broadcast, you should use the **neighbor** command to identify neighbors.

Beginning in privileged EXEC mode, follow these steps to configure OSPF network type for an interface:

	Command	Purpose
Step 1	<b>configure terminal</b>	Enter global configuration mode.
Step 2	<b>interface</b> <i>interface-id</i>	Enter interface configuration mode, and specify the Layer 3 interface to configure.
Step 3	<b>no shutdown</b>	Enable the interface if necessary. By default, UNIs and ENIs are disabled and NNIs are enabled.
Step 4	<b>ip ospf network</b> { <b>broadcast</b>   <b>non-broadcast</b>   { <b>point-to-multipoint</b> [ <b>non-broadcast</b> ]   <b>point-to-point</b> } }	Configure the OSPF network type for the specified interface. Select one of these network types: <ul style="list-style-type: none"> <li>• <b>broadcast</b>—Specify an OSPF broadcast multi-access network.</li> <li>• <b>non-broadcast</b>—Specify an OSPF NBMA network.</li> <li>• <b>point-to-multipoint</b>—Specify an OSPF point-to-multipoint network. If you do not enter another keyword, the interface is point-to-multipoint for broadcast media.</li> <li>• <b>point-to-multipoint non-broadcast</b>—Specify an OSPF nonbroadcast point-to-multipoint network.</li> <li>• <b>point-to-point</b>—Specify an OSPF point-to-point network.</li> </ul>
Step 5	<b>exit</b>	Return to global configuration mode.
Step 6	<b>router ospf</b> <i>process-id</i>	(Optional for point-to-multipoint; required for point-to-multipoint nonbroadcast) Configure an OSPF routing process and enter router configuration mode.
Step 7	<b>neighbor</b> <i>ip-address cost number</i>	(Optional for point-to-multipoint; required for point-to-multipoint nonbroadcast). Specify a configured OSPF neighbor and assign a cost to the neighbor. <ul style="list-style-type: none"> <li>• <i>ip-address</i>—Enter the interface IP address of the OSPF neighbor.</li> <li>• <i>cost number</i>—Specify a cost for the neighbor as an integer from 1 to 65535.</li> </ul> <p><b>Note</b> On point-to-multipoint broadcast networks, specifying a neighbor is optional, but if you do specify a neighbor, you must specify a cost for that neighbor. On point-to-multipoint nonbroadcast neighbors, you must specify a neighbor, but assigning a cost to the neighbor is optional. If not specified, neighbors assume the cost of the interface, based on the <b>ip ospf cost</b> interface configuration command.</p>
Step 8	<b>end</b>	Return to privileged EXEC mode.
Step 9	<b>show ip ospf interface</b> [ <i>interface-id</i> ]	Display OSPF-related interface information.
Step 10	<b>copy running-config startup-config</b>	(Optional) Save your entries in the configuration file.

Use the **no** form of the **ip ospf network** command to return to the default network type for the media.

## Configuring OSPF Area Parameters

You can optionally configure several OSPF area parameters. These parameters include authentication for password-based protection against unauthorized access to an area, stub areas, and not-so-stubby-areas (NSSAs). *Stub areas* are areas into which information on external routes is not sent. Instead, the area border router (ABR) generates a default external route into the stub area for destinations outside the autonomous system (AS). An NSSA does not flood all LSAs from the core into the area, but can import AS external routes within the area by redistribution.

Route summarization is the consolidation of advertised addresses into a single summary route to be advertised by other areas. If network numbers are contiguous, you can use the **area range** router configuration command to configure the ABR to advertise a summary route that covers all networks in the range.



**Note** The OSPF **area** router configuration commands are all optional.

Beginning in privileged EXEC mode, follow these steps to configure area parameters:

	Command	Purpose
Step 1	<b>configure terminal</b>	Enter global configuration mode.
Step 2	<b>router ospf</b> <i>process-id</i>	Enable OSPF routing, and enter router configuration mode.
Step 3	<b>area</b> <i>area-id</i> <b>authentication</b>	(Optional) Allow password-based protection against unauthorized access to the identified area. The identifier can be either a decimal value or an IP address.
Step 4	<b>area</b> <i>area-id</i> <b>authentication message-digest</b>	(Optional) Enable MD5 authentication on the area.
Step 5	<b>area</b> <i>area-id</i> <b>stub</b> [ <b>no-summary</b> ]	(Optional) Define an area as a stub area. The <b>no-summary</b> keyword prevents an ABR from sending summary link advertisements into the stub area.
Step 6	<b>area</b> <i>area-id</i> <b>nssa</b> [ <b>no-redistribution</b> ] [ <b>default-information-originate</b> ] [ <b>no-summary</b> ]	(Optional) Defines an area as a not-so-stubby-area. Every router within the same area must agree that the area is NSSA. Select one of these keywords: <ul style="list-style-type: none"> <li>• <b>no-redistribution</b>—Select when the router is an NSSA ABR and you want the <b>redistribute</b> command to import routes into normal areas, but not into the NSSA.</li> <li>• <b>default-information-originate</b>—Select on an ABR to allow importing type 7 LSAs into the NSSA.</li> <li>• <b>no-redistribution</b>—Select to not send summary LSAs into the NSSA.</li> </ul>
Step 7	<b>area</b> <i>area-id</i> <b>range</b> <i>address mask</i>	(Optional) Specify an address range for which a single route is advertised. Use this command only with area border routers.
Step 8	<b>end</b>	Return to privileged EXEC mode.
Step 9	<b>show ip ospf</b> [ <i>process-id</i> ]  <b>show ip ospf</b> [ <i>process-id</i> [ <i>area-id</i> ]] <b>database</b>	Display information about the OSPF routing process in general or for a specific process ID to verify configuration.  Display lists of information related to the OSPF database for a specific router.
Step 10	<b>copy running-config startup-config</b>	(Optional) Save your entries in the configuration file.

Use the **no** form of these commands to remove the configured parameter value or to return to the default value.

## Configuring Other OSPF Parameters

You can optionally configure other OSPF parameters in router configuration mode.

- **Route summarization:** When redistributing routes from other protocols as described in the [“Using Route Maps to Redistribute Routing Information”](#) section on page 36-99, each route is advertised individually in an external LSA. To help decrease the size of the OSPF link state database, you can use the **summary-address** router configuration command to advertise a single router for all the redistributed routes included in a specified network address and mask.
- **Virtual links:** In OSPF, all areas must be connected to a backbone area. You can establish a virtual link in case of a backbone-continuity break by configuring two Area Border Routers as endpoints of a virtual link. Configuration information includes the identity of the other virtual endpoint (the other ABR) and the nonbackbone link that the two routers have in common (the transit area). Virtual links cannot be configured through a stub area.
- **Default route:** When you specifically configure redistribution of routes into an OSPF routing domain, the route automatically becomes an autonomous system boundary router (ASBR). You can force the ASBR to generate a default route into the OSPF routing domain.
- **Domain Name Server (DNS) names for use in all OSPF **show** privileged EXEC command displays** makes it easier to identify a router than displaying it by router ID or neighbor ID.
- **Default Metrics:** OSPF calculates the OSPF metric for an interface according to the bandwidth of the interface. The metric is calculated as *ref-bw* divided by bandwidth, where *ref* is 10 by default, and bandwidth (*bw*) is specified by the **bandwidth** interface configuration command. For multiple links with high bandwidth, you can specify a larger number to differentiate the cost on those links.
- **Administrative distance** is a rating of the trustworthiness of a routing information source, an integer between 0 and 255, with a higher value meaning a lower trust rating. An administrative distance of 255 means the routing information source cannot be trusted at all and should be ignored. OSPF uses three different administrative distances: routes within an area (interarea), routes to another area (interarea), and routes from another routing domain learned through redistribution (external). You can change any of the distance values.
- **Passive interfaces:** Because interfaces between two devices on an Ethernet represent only one network segment, to prevent OSPF from sending hello packets for the sending interface, you must configure the sending device to be a passive interface. Both devices can identify each other through the hello packet for the receiving interface.
- **Route calculation timers:** You can configure the delay time between when OSPF receives a topology change and when it starts the shortest path first (SPF) calculation and the hold time between two SPF calculations.
- **Log neighbor changes:** You can configure the router to send a syslog message when an OSPF neighbor state changes, providing a high-level view of changes in the router.

Beginning in privileged EXEC mode, follow these steps to configure these OSPF parameters:

	Command	Purpose
Step 1	<b>configure terminal</b>	Enter global configuration mode.
Step 2	<b>router ospf <i>process-id</i></b>	Enable OSPF routing, and enter router configuration mode.

	Command	Purpose
Step 3	<b>summary-address</b> <i>address mask</i>	(Optional) Specify an address and IP subnet mask for redistributed routes so that only one summary route is advertised.
Step 4	<b>area</b> <i>area-id</i> <b>virtual-link</b> <i>router-id</i> [ <b>hello-interval</b> <i>seconds</i> ] [ <b>retransmit-interval</b> <i>seconds</i> ] [ <b>trans</b> ] [[ <b>authentication-key</b> <i>key</i> ]   <b>message-digest-key</b> <i>keyid md5 key</i> ]]	(Optional) Establish a virtual link and set its parameters. See the “Configuring OSPF Interfaces” section on page 36-26 for parameter definitions and Table 36-5 on page 36-24 for virtual link defaults.
Step 5	<b>default-information originate</b> [ <b>always</b> ] [ <b>metric</b> <i>metric-value</i> ] [ <b>metric-type</b> <i>type-value</i> ] [ <b>route-map</b> <i>map-name</i> ]	(Optional) Force the ASBR to generate a default route into the OSPF routing domain. Parameters are all optional.
Step 6	<b>ip ospf name-lookup</b>	(Optional) Configure DNS name lookup. The default is disabled.
Step 7	<b>ip auto-cost reference-bandwidth</b> <i>ref-bw</i>	(Optional) Specify an address range for which a single route will be advertised. Use this command only with area border routers.
Step 8	<b>distance ospf</b> {[ <b>inter-area</b> <i>dist1</i> ] [ <b>inter-area</b> <i>dist2</i> ] [ <b>external</b> <i>dist3</i> ]}	(Optional) Change the OSPF distance values. The default distance for each type of route is 110. The range is 1 to 255.
Step 9	<b>passive-interface</b> <i>type number</i>	(Optional) Suppress the sending of hello packets through the specified interface.
Step 10	<b>timers throttle spf</b> <i>spf-delay spf-holdtime</i> <i>spf-wait</i>	(Optional) Configure route calculation timers. <ul style="list-style-type: none"> <li>• <i>spf-delay</i>—Delay between receiving a change to SPF calculation. The range is from 1 to 600000. milliseconds.</li> <li>• <i>spf-holdtime</i>—Delay between first and second SPF calculation. The range is from 1 to 600000 in milliseconds.</li> <li>• <i>spf-wait</i>—Maximum wait time in milliseconds for SPF calculations. The range is from 1 to 600000 in milliseconds.</li> </ul>
Step 11	<b>ospf log-adj-changes</b>	(Optional) Send syslog message when a neighbor state changes.
Step 12	<b>end</b>	Return to privileged EXEC mode.
Step 13	<b>show ip ospf</b> [ <i>process-id</i> [ <i>area-id</i> ]] <b>database</b>	Display lists of information related to the OSPF database for a specific router. For some of the keyword options, see the “Monitoring OSPF” section on page 36-34.
Step 14	<b>copy running-config startup-config</b>	(Optional) Save your entries in the configuration file.

## Changing LSA Group Pacing

The OSPF LSA group pacing feature allows the router to group OSPF LSAs and pace the refreshing, check-summing, and aging functions for more efficient router use. This feature is enabled by default with a 4-minute default pacing interval, and you will not usually need to modify this parameter. The optimum group pacing interval is inversely proportional to the number of LSAs the router is refreshing, check-summing, and aging. For example, if you have approximately 10,000 LSAs in the database, decreasing the pacing interval would benefit you. If you have a very small database (40 to 100 LSAs), increasing the pacing interval to 10 to 20 minutes might benefit you slightly.



Beginning in privileged EXEC mode, follow these steps to configure OSPF LSA pacing:

	Command	Purpose
Step 1	<b>configure terminal</b>	Enter global configuration mode.
Step 2	<b>router ospf</b> <i>process-id</i>	Enable OSPF routing, and enter router configuration mode.
Step 3	<b>timers lsa-group-pacing</b> <i>seconds</i>	Change the group pacing of LSAs.
Step 4	<b>end</b>	Return to privileged EXEC mode.
Step 5	<b>show running-config</b>	Verify your entries.
Step 6	<b>copy running-config startup-config</b>	(Optional) Save your entries in the configuration file.

To return to the default value, use the **no timers lsa-group-pacing** router configuration command.

## Configuring a Loopback Interface

OSPF uses the highest IP address configured on the interfaces as its router ID. If this interface is down or removed, the OSPF process must recalculate a new router ID and resend all its routing information out its interfaces. If a loopback interface is configured with an IP address, OSPF uses this IP address as its router ID, even if other interfaces have higher IP addresses. Because loopback interfaces never fail, this provides greater stability. OSPF automatically prefers a loopback interface over other interfaces, and it chooses the highest IP address among all loopback interfaces.

Beginning in privileged EXEC mode, follow these steps to configure a loopback interface:

	Command	Purpose
Step 1	<b>configure terminal</b>	Enter global configuration mode.
Step 2	<b>interface loopback 0</b>	Create a loopback interface, and enter interface configuration mode.
Step 3	<b>ip address</b> <i>address mask</i>	Assign an IP address to this interface.
Step 4	<b>end</b>	Return to privileged EXEC mode.
Step 5	<b>show ip interface</b>	Verify your entries.
Step 6	<b>copy running-config startup-config</b>	(Optional) Save your entries in the configuration file.

Use the **no interface loopback 0** global configuration command to disable the loopback interface.

## Monitoring OSPF

You can display specific statistics such as the contents of IP routing tables, caches, and databases.

Table 36-6 lists some of the privileged EXEC commands for displaying statistics. For more **show ip ospf database** privileged EXEC command options and for explanations of fields in the resulting display, see the *Cisco IOS IP Command Reference, Volume 2 of 3: Routing Protocols, Release 12.2*.

**Table 36-6** Show IP OSPF Statistics Commands

Command	Purpose
<b>show ip ospf</b> [ <i>process-id</i> ]	Display general information about OSPF routing processes.
<b>show ip ospf</b> [ <i>process-id</i> ] <b>database</b> [ <b>router</b> ] [ <i>link-state-id</i> ] <b>show ip ospf</b> [ <i>process-id</i> ] <b>database</b> [ <b>router</b> ] [ <b>self-originate</b> ] <b>show ip ospf</b> [ <i>process-id</i> ] <b>database</b> [ <b>router</b> ] [ <b>adv-router</b> [ <i>ip-address</i> ]] <b>show ip ospf</b> [ <i>process-id</i> ] <b>database</b> [ <b>network</b> ] [ <i>link-state-id</i> ] <b>show ip ospf</b> [ <i>process-id</i> ] <b>database</b> [ <b>summary</b> ] [ <i>link-state-id</i> ] <b>show ip ospf</b> [ <i>process-id</i> ] <b>database</b> [ <b>asbr-summary</b> ] [ <i>link-state-id</i> ] <b>show ip ospf</b> [ <i>process-id</i> ] <b>database</b> [ <b>external</b> ] [ <i>link-state-id</i> ] <b>show ip ospf</b> [ <i>process-id area-id</i> ] <b>database</b> [ <b>database-summary</b> ]	Display lists of information related to the OSPF database.
<b>show ip ospf border-routes</b>	Display the internal OSPF routing ABR and ASBR table entries.
<b>show ip ospf interface</b> [ <i>interface-name</i> ]	Display OSPF-related interface information.
<b>show ip ospf neighbor</b> [ <i>interface-name</i> ] [ <i>neighbor-id</i> ] <b>detail</b>	Display OSPF interface neighbor information.
<b>show ip ospf virtual-links</b>	Display OSPF-related virtual links information.

## Configuring EIGRP

Enhanced IGRP (EIGRP) is a Cisco proprietary enhanced version of the IGRP. EIGRP uses the same distance vector algorithm and distance information as IGRP; however, the convergence properties and the operating efficiency of EIGRP are significantly improved.

The convergence technology employs an algorithm referred to as the Diffusing Update Algorithm (DUAL), which guarantees loop-free operation at every instant throughout a route computation and allows all devices involved in a topology change to synchronize at the same time. Routers that are not affected by topology changes are not involved in recomputations.

IP EIGRP provides increased network width. With RIP, the largest possible width of your network is 15 hops. Because the EIGRP metric is large enough to support thousands of hops, the only barrier to expanding the network is the transport-layer hop counter. EIGRP increments the transport control field only when an IP packet has traversed 15 routers and the next hop to the destination was learned through EIGRP.

EIGRP has these four basic components:

- *Neighbor discovery and recovery* is the process that routers use to dynamically learn of other routers on their directly attached networks. Routers must also discover when their neighbors become unreachable or inoperative. Neighbor discovery and recovery is achieved by periodically sending small hello packets. As long as hello packets are received, the neighbor is alive and functioning. When this status is determined, the neighboring routers exchange routing information.
- *The reliable transport protocol* is responsible for guaranteed, ordered delivery of EIGRP packets to all neighbors. It supports intermixed transmission of multicast and unicast packets. Some EIGRP packets must be sent reliably, and others need not be. For efficiency, reliability is provided only when necessary. For example, on a multiaccess network that has multicast capabilities, it is not necessary to send hellos reliably to all neighbors individually. Therefore, EIGRP sends a single multicast hello with an indication in the packet informing the receivers that the packet need not be acknowledged. Other types of packets (such as updates) require acknowledgment, which is shown in the packet. To ensure low convergence time, the reliable transport sends multicast packets quickly when there are unacknowledged packets pending.
- *The DUAL finite state machine* handles the decision process for all route computations. It tracks all routes advertised by all neighbors and uses the distance information (known as a metric) to select efficient, loop-free paths. DUAL selects routes to be inserted into a routing table based on feasible successors. A successor is a neighboring router used for packet forwarding that has a least-cost path to a destination that is guaranteed not to be part of a routing loop.

When there are no feasible successors, but there are neighbors advertising the destination, a recomputation must occur to determine a new successor. The amount of time it takes to recompute the route affects the convergence time. When a topology change occurs, DUAL tests for feasible successors to avoid unnecessary recomputation.

- The *protocol-dependent modules* are responsible for network layer protocol-specific tasks. An example is the IP EIGRP module, which is responsible for sending and receiving EIGRP packets that are encapsulated in IP. It is also responsible for parsing EIGRP packets and informing DUAL of the new information received. Routing decisions are stored in the IP routing table. EIGRP also redistributes routes learned by other IP routing protocols.

These sections contain this configuration information:

- [Default EIGRP Configuration, page 36-36](#)
- [Configuring Basic EIGRP Parameters, page 36-37](#)
- [Configuring EIGRP Interfaces, page 36-38](#)
- [Configuring EIGRP Route Authentication, page 36-39](#)
- [Configuring EIGRP Stub Routing, page 36-40](#)
- [Monitoring and Maintaining EIGRP, page 36-41](#)

## Default EIGRP Configuration

Table 36-7, Part 1 Default EIGRP Configuration

Feature	Default Setting
Auto summary	Enabled. Subprefixes are summarized to the classful network boundary when crossing classful network boundaries.
Default-information	Exterior routes are accepted and default information is passed between EIGRP processes when doing redistribution.
Default metric	Only connected routes and interface static routes can be redistributed without a default metric. The metric includes: <ul style="list-style-type: none"> <li>• Bandwidth: 0 or greater kbps.</li> <li>• Delay (tens of microseconds): 0 or any positive number that is a multiple of 39.1 nanoseconds.</li> <li>• Reliability: any number between 0 and 255 (255 means 100 percent reliability).</li> <li>• Loading: effective bandwidth as a number between 0 and 255 (255 is 100 percent loading).</li> <li>• MTU: maximum transmission unit size of the route in bytes. 0 or any positive integer.</li> </ul>
Distance	Internal distance: 90. External distance: 170.
EIGRP log-neighbor changes	Disabled. No adjacency changes logged.
IP authentication key-chain	No authentication provided.
IP authentication mode	No authentication provided.
IP bandwidth-percent	50 percent.
IP hello interval	For low-speed nonbroadcast multiaccess (NBMA) networks: 60 seconds; all other networks: 5 seconds.
IP hold-time	For low-speed NBMA networks: 180 seconds; all other networks: 15 seconds.
IP split-horizon	Enabled.
IP summary address	No summary aggregate addresses are predefined.
Metric weights	tos: 0; k1 and k3: 1; k2, k4, and k5: 0
Network	None specified.
NSF <sup>1</sup> Awareness	Enabled <sup>2</sup> . Allows Layer 3 switches to continue forwarding packets from a neighboring NSF-capable router during hardware or software changes.
Offset-list	Disabled.
Router EIGRP	Disabled.
Set metric	No metric set in the route map.
Traffic-share	Distributed proportionately to the ratios of the metrics.
Variance	1 (equal-cost load balancing).

1. NSF = Nonstop Forwarding

2. EIGRP NSF awareness is enabled for IPv4 on switches running the metro IP access image.

To create an EIGRP routing process, you must enable EIGRP and associate networks. EIGRP sends updates to the interfaces in the specified networks. If you do not specify an interface network, it is not advertised in any EIGRP update.


## Nonstop Forwarding Awareness

The EIGRP NSF Awareness feature is supported for IPv4 in the metro IP access image. When the neighboring router is NSF-capable, the Layer 3 switch continues to forward packets from the neighboring router during the interval between the primary Route Processor (RP) in a router failing and the backup RP taking over, or while the primary RP is manually reloaded for a nondisruptive software upgrade.

This feature cannot be disabled. For more information on this feature, see the "EIGRP Nonstop Forwarding (NSF) Awareness" section of the *Cisco IOS IP Routing Protocols Configuration Guide, Release 12.4*.

## Configuring Basic EIGRP Parameters

Beginning in privileged EXEC mode, follow these steps to configure EIGRP. Configuring the routing process is required; other steps are optional:

	Command	Purpose
Step 1	<b>configure terminal</b>	Enter global configuration mode.
Step 2	<b>router eigrp</b> <i>autonomous-system</i>	Enable an EIGRP routing process, and enter router configuration mode. The AS number identifies the routes to other EIGRP routers and is used to tag routing information.
Step 3	<b>network</b> <i>network-number</i>	Associate networks with an EIGRP routing process. EIGRP sends updates to the interfaces in the specified networks.
Step 4	<b>eigrp log-neighbor-changes</b>	(Optional) Enable logging of EIGRP neighbor changes to monitor routing system stability.
Step 5	<b>metric weights</b> <i>tos k1 k2 k3 k4 k5</i>	(Optional) Adjust the EIGRP metric. Although the defaults have been carefully set to provide excellent operation in most networks, you can adjust them.
		 <b>Caution</b> Setting metrics is complex and is not recommended without guidance from an experienced network designer.
Step 6	<b>offset list</b> [ <i>access-list number / name</i> ] { <b>in</b>   <b>out</b> } <i>offset [type number]</i>	(Optional) Apply an offset list to routing metrics to increase incoming and outgoing metrics to routes learned through EIGRP. You can limit the offset list with an access list or an interface.
Step 7	<b>no auto-summary</b>	(Optional) Disable automatic summarization of subnet routes into network-level routes.
Step 8	<b>ip summary-address eigrp</b> <i>autonomous-system-number address mask</i>	(Optional) Configure a summary aggregate.
Step 9	<b>end</b>	Return to privileged EXEC mode.


	Command	Purpose
Step 10	<b>show ip protocols</b>	Verify your entries. For NSF awareness, the output shows: *** IP Routing is NSF aware *** EIGRP NSF enabled
Step 11	<b>copy running-config startup-config</b>	(Optional) Save your entries in the configuration file.

Use the **no** forms of these commands to disable the feature or return the setting to the default value.

## Configuring EIGRP Interfaces

Other optional EIGRP parameters can be configured on an interface basis.

Beginning in privileged EXEC mode, follow these steps to configure EIGRP interfaces:

	Command	Purpose
Step 1	<b>configure terminal</b>	Enter global configuration mode.
Step 2	<b>interface</b> <i>interface-id</i>	Enter interface configuration mode, and specify the Layer 3 interface to configure.
Step 3	<b>no shutdown</b>	Enable the interface if necessary. By default, UNIs and ENIs are disabled and NNIs are enabled.
Step 4	<b>ip bandwidth-percent eigrp</b> <i>percent</i>	(Optional) Configure the percentage of bandwidth that can be used by EIGRP on an interface. The default is 50 percent.
Step 5	<b>ip summary-address eigrp</b> <i>autonomous-system-number address mask</i>	(Optional) Configure a summary aggregate address for a specified interface (not usually necessary if auto-summary is enabled).
Step 6	<b>ip hello-interval eigrp</b> <i>autonomous-system-number seconds</i>	(Optional) Change the hello time interval for an EIGRP routing process. The range is 1 to 65535 seconds. The default is 60 seconds for low-speed NBMA networks and 5 seconds for all other networks.
Step 7	<b>ip hold-time eigrp</b> <i>autonomous-system-number seconds</i>	(Optional) Change the hold time interval for an EIGRP routing process. The range is 1 to 65535 seconds. The default is 180 seconds for low-speed NBMA networks and 15 seconds for all other networks.   <b>Caution</b> Do not adjust the hold time without consulting Cisco technical support.
Step 8	<b>no ip split-horizon eigrp</b> <i>autonomous-system-number</i>	(Optional) Disable split horizon to allow route information to be advertised by a router out any interface from which that information originated.
Step 9	<b>end</b>	Return to privileged EXEC mode.

	Command	Purpose
Step 10	<b>show ip eigrp interface</b>	Display which interfaces EIGRP is active on and information about EIGRP relating to those interfaces.
Step 11	<b>copy running-config startup-config</b>	(Optional) Save your entries in the configuration file.

Use the **no** forms of these commands to disable the feature or return the setting to the default value.

## Configuring EIGRP Route Authentication

EIGRP route authentication provides MD5 authentication of routing updates from the EIGRP routing protocol to prevent the introduction of unauthorized or false routing messages from unapproved sources.

Beginning in privileged EXEC mode, follow these steps to enable authentication:

	Command	Purpose
Step 1	<b>configure terminal</b>	Enter global configuration mode.
Step 2	<b>interface</b> <i>interface-id</i>	Enter interface configuration mode, and specify the Layer 3 interface to configure.
Step 3	<b>no shutdown</b>	Enable the interface if necessary. By default, UNIs and ENIs are disabled and NNIs are enabled.
Step 4	<b>ip authentication mode eigrp</b> <i>autonomous-system</i> <b>md5</b>	Enable MD5 authentication in IP EIGRP packets.
Step 5	<b>ip authentication key-chain eigrp</b> <i>autonomous-system</i> <i>key-chain</i>	Enable authentication of IP EIGRP packets.
Step 6	<b>exit</b>	Return to global configuration mode.
Step 7	<b>key chain</b> <i>name-of-chain</i>	Identify a key chain and enter key-chain configuration mode. Match the name configured in Step 4.
Step 8	<b>key</b> <i>number</i>	In key-chain configuration mode, identify the key number.
Step 9	<b>key-string</b> <i>text</i>	In key-chain key configuration mode, identify the key string.
Step 10	<b>accept-lifetime</b> <i>start-time</i> { <b>infinite</b>   <i>end-time</i>   <b>duration</b> <i>seconds</i> }	(Optional) Specify the time period during which the key can be received.  The <i>start-time</i> and <i>end-time</i> syntax can be either <i>hh:mm:ss Month date year</i> or <i>hh:mm:ss date Month year</i> . The default is forever with the default <i>start-time</i> and the earliest acceptable date as January 1, 1993. The default <i>end-time</i> and <b>duration</b> is <b>infinite</b> .
Step 11	<b>send-lifetime</b> <i>start-time</i> { <b>infinite</b>   <i>end-time</i>   <b>duration</b> <i>seconds</i> }	(Optional) Specify the time period during which the key can be sent.  The <i>start-time</i> and <i>end-time</i> syntax can be either <i>hh:mm:ss Month date year</i> or <i>hh:mm:ss date Month year</i> . The default is forever with the default <i>start-time</i> and the earliest acceptable date as January 1, 1993. The default <i>end-time</i> and <b>duration</b> is <b>infinite</b> .
Step 12	<b>end</b>	Return to privileged EXEC mode.

	Command	Purpose
Step 13	<code>show key chain</code>	Display authentication key information.
Step 14	<code>copy running-config startup-config</code>	(Optional) Save your entries in the configuration file.

Use the **no** forms of these commands to disable the feature or to return the setting to the default value.

## Configuring EIGRP Stub Routing

The EIGRP stub routing feature reduces resource utilization by moving routed traffic closer to the end user. In a network using EIGRP stub routing, the only allowable route for IP traffic to the user is through a switch that is configured with EIGRP stub routing. The switch sends the routed traffic to interfaces that are configured as user interfaces or are connected to other devices.

When using EIGRP stub routing, you need to configure the distribution and remote routers to use EIGRP and to configure only the switch as a stub. Only specified routes are propagated from the switch. The switch responds to all queries for summaries, connected routes, and routing updates.



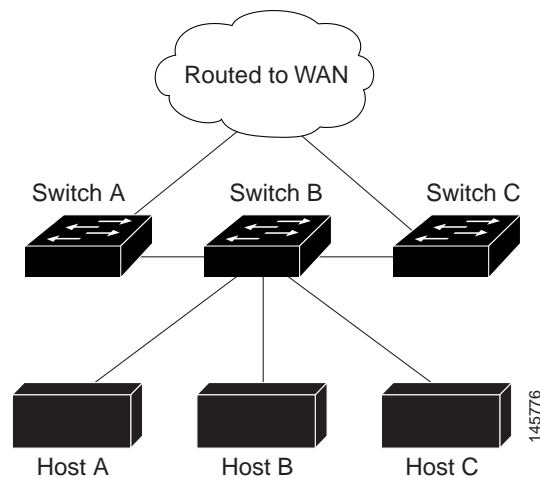
### Note

EIGRP stub routing only advertises connected or summary routes from the routing tables to other switches in the network. The switch uses EIGRP stub routing at the access layer to eliminate the need for other types of routing advertisements. If you try to configure multi-VRF-CE and EIGRP stub routing at the same time, the configuration is not allowed.

Any neighbor that receives a packet informing it of the stub status does not query the stub router for any routes, and a router that has a stub peer does not query that peer. The stub router depends on the distribution router to send the proper updates to all peers.

In [Figure 36-4](#), switch B is configured as an EIGRP stub router. Switches A and C are connected to the rest of the WAN. Switch B advertises connected, static, redistribution, and summary routes to switch A and C. Switch B does not advertise any routes learned from switch A (and the reverse).

**Figure 36-4** EIGRP Stub Router Configuration



For more information about EIGRP stub routing, see “Configuring EIGRP Stub Routing” part of the *Cisco IOS IP Configuration Guide, Volume 2 of 3: Routing Protocols, Release 12.2* from the Cisco.com page under **Documentation** > **Cisco IOS Software** > **12.2 Mainline** > **Configuration Guides**.



Beginning in privileged EXEC mode, follow these steps to configure a remote or spoke router for EIGRP stub routing:

	Command	Purpose
Step 1	<b>configure terminal</b>	Enter global configuration mode.
Step 2	<b>router eigrp 1</b>	Configure a remote or distribution router to run an EIGRP process and enter router configuration mode.
Step 3	<b>network network-number</b>	Associate networks with an EIGRP routing process.
Step 4	<b>eigrp stub [receive-only   connected   static   summary]</b>	Configure a remote router as an EIGRP stub router. The keywords have these meanings: <ul style="list-style-type: none"> <li>• Enter <b>receive-only</b> to set the router as a receive-only neighbor.</li> <li>• Enter <b>connected</b> to advertise connected routes.</li> <li>• Enter <b>static</b> to advertise static routes.</li> <li>• Enter <b>summary</b> to advertise summary routes.</li> </ul>
Step 5	<b>end</b>	Return to privileged EXEC mode.
Step 6	<b>show ip eigrp neighbor detail</b>	Verify that a remote router has been configured as a stub router with EIGRP. The last line of the output shows the stub status of the remote or spoke router.
Step 7	<b>copy running-config startup-config</b>	(Optional) Save your entries in the configuration file.

Enter the **show ip eigrp neighbor detail** privileged EXEC command from the distribution router to verify the configuration.

## Monitoring and Maintaining EIGRP

You can delete neighbors from the neighbor table. You can also display various EIGRP routing statistics. [Table 36-8](#) lists the privileged EXEC commands for deleting neighbors and displaying statistics. For explanations of fields in the resulting display, see the *Cisco IOS IP Command Reference, Volume 2 of 3: Routing Protocols, Release 12.2*.

**Table 36-8** IP EIGRP Clear and Show Commands

Command	Purpose
<b>clear ip eigrp neighbors</b> [ <i>if-address</i>   <i>interface</i> ]	Delete neighbors from the neighbor table.
<b>show ip eigrp interface</b> [ <i>interface</i> ] [ <i>as number</i> ]	Display information about interfaces configured for EIGRP.
<b>show ip eigrp neighbors</b> [ <i>type-number</i> ]	Display EIGRP discovered neighbors.
<b>show ip eigrp topology</b> [ <i>autonomous-system-number</i> ]   [[ <i>ip-address</i> ] <i>mask</i> ]	Display the EIGRP topology table for a given process.
<b>show ip eigrp traffic</b> [ <i>autonomous-system-number</i> ]	Display the number of packets sent and received for all or a specified EIGRP process.

## Configuring BGP

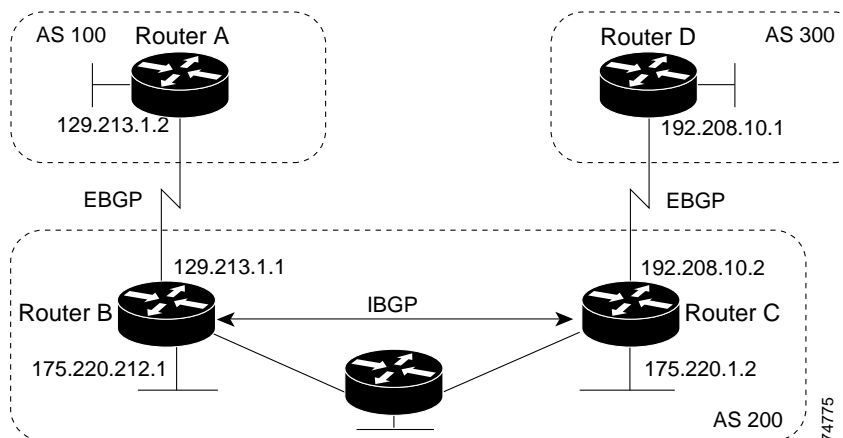
The Border Gateway Protocol (BGP) is an exterior gateway protocol used to set up an interdomain routing system for loop-free exchanges of routing information between autonomous systems. Autonomous systems are made up of routers that operate under the same administration and that run Interior Gateway Protocols (IGPs), such as RIP or OSPF, within their boundaries and that interconnect by using an Exterior Gateway Protocol (EGP). BGP Version 4 is the standard EGP for interdomain routing in the Internet.

You can find detailed information about BGP in *Internet Routing Architectures*, published by Cisco Press, and in the “Configuring BGP” chapter in the *Cisco IOS IP and IP Routing Configuration Guide*.

For details about BGP commands and keywords, see the “IP Routing Protocols” part of the *Cisco IOS IP Command Reference, Volume 2 of 3: Routing Protocols, Release 12.2*. For a list of BGP commands that are visible but not supported by the switch, see [Appendix C, “Unsupported Commands in Cisco IOS Release 12.2\(55\)SE.”](#)

Routers that belong to the same autonomous system (AS) and that exchange BGP updates run *internal BGP* (IBGP), and routers that belong to different autonomous systems and that exchange BGP updates run *external BGP* (EBGP). Most configuration commands are the same for configuring EBGP and IBGP. The difference is that the routing updates are exchanged either between autonomous systems (EBGP) or within an AS (IBGP). [Figure 36-5](#) shows a network that is running both EBGP and IBGP.

**Figure 36-5** EBGP, IBGP, and Multiple Autonomous Systems



Before exchanging information with an external AS, BGP ensures that networks within the AS can be reached by defining internal BGP peering among routers within the AS and by redistributing BGP routing information to IGPs that run within the AS, such as IGRP and OSPF.

Routers that run a BGP routing process are often referred to as BGP *speakers*. BGP uses the Transmission Control Protocol (TCP) as its transport protocol (specifically port 179). Two BGP speakers that have a TCP connection to each other for exchanging routing information are known as *peers* or *neighbors*. In [Figure 36-5](#), Routers A and B are BGP peers, as are Routers B and C and Routers C and D. The routing information is a series of AS numbers that describe the full path to the destination network. BGP uses this information to construct a loop-free map of autonomous systems.

The network has these characteristics:

- Routers A and B are running EBGp, and Routers B and C are running IBGP. Note that the EBGp peers are directly connected and that the IBGP peers are not. As long as there is an IGP running that allows the two neighbors to reach one another, IBGP peers do not have to be directly connected.
- All BGP speakers within an AS must establish a peer relationship with each other. That is, the BGP speakers within an AS must be fully meshed logically. BGP4 provides two techniques that reduce the requirement for a logical full mesh: *confederations* and *route reflectors*.
- AS 200 is a *transit AS* for AS 100 and AS 300—that is, AS 200 is used to transfer packets between AS 100 and AS 300.

BGP peers initially exchange their full BGP routing tables and then send only incremental updates. BGP peers also exchange keepalive messages (to ensure that the connection is up) and notification messages (in response to errors or special conditions).

In BGP, each route consists of a network number, a list of autonomous systems that information has passed through (the *autonomous system path*), and a list of other *path attributes*. The primary function of a BGP system is to exchange network reachability information, including information about the list of AS paths, with other BGP systems. This information can be used to determine AS connectivity, to prune routing loops, and to enforce AS-level policy decisions.

A router or switch running Cisco IOS does not select or use an IBGP route unless it has a route available to the next-hop router and it has received synchronization from an IGP (unless IGP synchronization is disabled). When multiple routes are available, BGP bases its path selection on *attribute* values. See the “[Configuring BGP Decision Attributes](#)” section on page 36-50 for information about BGP attributes.

BGP Version 4 supports classless interdomain routing (CIDR) so you can reduce the size of your routing tables by creating aggregate routes, resulting in *supernets*. CIDR eliminates the concept of network classes within BGP and supports the advertising of IP prefixes.

These sections contain configuration information:

- [Default BGP Configuration](#), page 36-44
- [Enabling BGP Routing](#), page 36-46
- [Managing Routing Policy Changes](#), page 36-48
- [Configuring BGP Decision Attributes](#), page 36-50
- [Configuring BGP Filtering with Route Maps](#), page 36-52
- [Configuring BGP Filtering by Neighbor](#), page 36-52
- [Configuring Prefix Lists for BGP Filtering](#), page 36-54
- [Configuring BGP Community Filtering](#), page 36-55
- [Configuring BGP Neighbors and Peer Groups](#), page 36-56
- [Configuring Aggregate Addresses](#), page 36-58
- [Configuring Routing Domain Confederations](#), page 36-59
- [Configuring BGP Route Reflectors](#), page 36-59
- [Configuring Route Dampening](#), page 36-60
- [Monitoring and Maintaining BGP](#), page 36-61

For detailed descriptions of BGP configuration, see the “Configuring BGP” chapter in the “IP Routing Protocols” part of the Cisco IOS IP Configuration Guide, Release 12.2. For details about specific commands, see the *Cisco IOS IP Command Reference, Volume 2 of 3: Routing Protocols, Release 12.2*. For a list of BGP commands that are visible but not supported by the switch, see [Appendix C, “Unsupported Commands in Cisco IOS Release 12.2\(55\)SE.”](#)

## Default BGP Configuration

**Table 36-9** Default BGP Configuration

Feature	Default Setting
Aggregate address	Disabled: None defined.
AS path access list	None defined.
Auto summary	Enabled.
Best path	<ul style="list-style-type: none"> <li>The router considers <i>as-path</i> in choosing a route and does not compare similar routes from external BGP peers.</li> <li>Compare router ID: Disabled.</li> </ul>
BGP community list	<ul style="list-style-type: none"> <li>Number: None defined. When you permit a value for the community number, the list defaults to an implicit deny for everything else that has not been permitted.</li> <li>Format: Cisco default format (32-bit number).</li> </ul>
BGP confederation identifier/peers	<ul style="list-style-type: none"> <li>Identifier: None configured.</li> <li>Peers: None identified.</li> </ul>
BGP Fast external fallover	Enabled.
BGP local preference	100. The range is 0 to 4294967295 with the higher value preferred.
BGP network	None specified; no backdoor route advertised.
BGP route dampening	Disabled by default. When enabled: <ul style="list-style-type: none"> <li>Half-life is 15 minutes.</li> <li>Re-use is 750 (10-second increments).</li> <li>Suppress is 2000 (10-second increments).</li> <li>Max-suppress-time is 4 times half-life; 60 minutes.</li> </ul>
BGP router ID	The IP address of a loopback interface if one is configured or the highest IP address configured for a physical interface on the router.
Default information originate (protocol or network redistribution)	Disabled.
Default metric	Built-in, automatic metric translations.
Distance	<ul style="list-style-type: none"> <li>External route administrative distance: 20 (acceptable values are from 1 to 255).</li> <li>Internal route administrative distance: 200 (acceptable values are from 1 to 255).</li> <li>Local route administrative distance: 200 (acceptable values are from 1 to 255).</li> </ul>
Distribute list	<ul style="list-style-type: none"> <li>In (filter networks received in updates): Disabled.</li> <li>Out (suppress networks from being advertised in updates): Disabled.</li> </ul>
Internal route redistribution	Disabled.

Table 36-9 Default BGP Configuration (continued)

Feature	Default Setting
IP prefix list	None defined.
Multi exit discriminator (MED)	<ul style="list-style-type: none"> <li>Always compare: Disabled. Does not compare MEDs for paths from neighbors in different autonomous systems.</li> <li>Best path compare: Disabled.</li> <li>MED missing as worst path: Disabled.</li> <li>Deterministic MED comparison is disabled.</li> </ul>
Neighbor	<ul style="list-style-type: none"> <li>Advertisement interval: 30 seconds for external peers; 5 seconds for internal peers.</li> <li>Change logging: Enabled.</li> <li>Conditional advertisement: Disabled.</li> <li>Default originate: No default route is sent to the neighbor.</li> <li>Description: None.</li> <li>Distribute list: None defined.</li> <li>External BGP multihop: Only directly connected neighbors are allowed.</li> <li>Filter list: None used.</li> <li>Maximum number of prefixes received: No limit.</li> </ul>
Neighbor	<ul style="list-style-type: none"> <li>Next hop (router as next hop for BGP neighbor): Disabled.</li> <li>Password: Disabled.</li> <li>Peer group: None defined; no members assigned.</li> <li>Prefix list: None specified.</li> <li>Remote AS (add entry to neighbor BGP table): No peers defined.</li> <li>Private AS number removal: Disabled.</li> <li>Route maps: None applied to a peer.</li> <li>Send community attributes: None sent to neighbors.</li> <li>Shutdown or soft reconfiguration: Not enabled.</li> <li>Timers: keepalive: 60 seconds; holdtime: 180 seconds.</li> <li>Update source: Best local address.</li> <li>Version: BGP Version 4.</li> <li>Weight: Routes learned through BGP peer: 0; routes sourced by the local router: 32768.</li> </ul>
NSF <sup>1</sup> Awareness	Disabled <sup>2</sup> . Allows Layer 3 switches to continue forwarding packets from a neighboring NSF-capable router during hardware or software changes.
Route reflector	None configured.
Synchronization (BGP and IGP)	Enabled.
Table map update	Disabled.
Timers	Keepalive: 60 seconds; holdtime: 180 seconds.

1. NSF = Nonstop Forwarding

2. BGP NSF Awareness can be enabled for IPv4 on switches with the metro IP access image by enabling Graceful Restart.

## Nonstop Forwarding Awareness

The BGP NSF Awareness feature is supported for IPv4 in the metro IP access image. To enable this feature with BGP routing, you need to enable Graceful Restart. When the neighboring router is NSF-capable, and this feature is enabled, the Layer 3 switch continues to forward packets from the neighboring router during the interval between the primary Route Processor (RP) in a router failing and the backup RP taking over, or while the primary RP is manually reloaded for a nondisruptive software upgrade.

For more information, see the *BGP Nonstop Forwarding (NSF) Awareness* section of the *Cisco IOS IP Routing Protocols Configuration Guide, Release 12.4*.

## Enabling BGP Routing

To enable BGP routing, you establish a BGP routing process and define the local network. Because BGP must completely recognize the relationships with its neighbors, you must also specify a BGP neighbor.

BGP supports two kinds of neighbors: internal and external. *Internal neighbors* are in the same AS; *external neighbors* are in different autonomous systems. External neighbors are usually adjacent to each other and share a subnet, but internal neighbors can be anywhere in the same AS.

The switch supports the use of private AS numbers, usually assigned by service providers and given to systems whose routes are not advertised to external neighbors. The private AS numbers are from 64512 to 65535. You can configure external neighbors to remove private AS numbers from the AS path by using the **neighbor remove-private-as** router configuration command. Then when an update is passed to an external neighbor, if the AS path includes private AS numbers, these numbers are dropped.

If your AS must pass traffic through it from another AS to a third AS, it is important to be consistent about the routes it advertises. If BGP advertises a route before all routers in the network learn about the route through the IGP, the AS might receive traffic that some routers can not yet route. To prevent this from happening, BGP must wait until the IGP has propagated information across the AS so that BGP is *synchronized* with the IGP. Synchronization is enabled by default. If your AS does not pass traffic from one AS to another AS, or if all routers in your autonomous systems are running BGP, you can disable synchronization, which allows your network to carry fewer routes in the IGP and allows BGP to converge more quickly.

Beginning in privileged EXEC mode, follow these steps to enable BGP routing, establish a BGP routing process, and specify a neighbor:

	Command	Purpose
Step 1	<b>configure terminal</b>	Enter global configuration mode.
Step 2	<b>ip routing</b>	Enable IP routing (required only if IP routing is disabled).
Step 3	<b>router bgp</b> <i>autonomous-system</i>	Enable a BGP routing process, assign it an AS number, and enter router configuration mode. The AS number can be from 1 to 65535, with 64512 to 65535 designated as private autonomous numbers.
Step 4	<b>network</b> <i>network-number</i> [ <b>mask</b> <i>network-mask</i> ] [ <b>route-map</b> <i>route-map-name</i> ]	Configure a network as local to this AS, and enter it in the BGP table.

	Command	Purpose
Step 5	<b>neighbor</b> { <i>ip-address</i>   <i>peer-group-name</i> } <b>remote-as</b> <i>number</i>	Add an entry to the BGP neighbor table specifying that the neighbor identified by the IP address belongs to the specified AS.  For EBGP, neighbors are usually directly connected, and the IP address is the address of the interface at the other end of the connection.  For IBGP, the IP address can be the address of any of the router interfaces.
Step 6	<b>neighbor</b> { <i>ip-address</i>   <i>peer-group-name</i> } <b>remove-private-as</b>	(Optional) Remove private AS numbers from the AS-path in outbound routing updates.
Step 7	<b>no synchronization</b>	(Optional) Disable synchronization between BGP and an IGP.
Step 8	<b>no auto-summary</b>	(Optional) Disable automatic network summarization. By default, when a subnet is redistributed from an IGP into BGP, only the network route is inserted into the BGP table.
Step 9	<b>bgp fast-external-fallover</b>	(Optional) Automatically reset a BGP session when a link between external neighbors goes down. By default, the session is not immediately reset.
Step 10	<b>bgp graceful-restart</b>	(Optional) Enable NSF awareness on switch. By default, NSF awareness is disabled.
Step 11	<b>end</b>	Return to privileged EXEC mode.
Step 12	<b>show ip bgp network</b> <i>network-number</i> or <b>show ip bgp neighbor</b>	Verify the configuration.  Verify that NSF awareness (Graceful Restart) is enabled on the neighbor.  If NSF awareness is enabled on the switch and the neighbor, this message appears:  <i>Graceful Restart Capability: advertised and received</i>  If NSF awareness is enabled on the switch, but not on the neighbor, this message appears:  <i>Graceful Restart Capability: advertised</i>
Step 13	<b>copy running-config startup-config</b>	(Optional) Save your entries in the configuration file.

Use the **no router bgp** *autonomous-system* global configuration command to remove a BGP AS. Use the **no network** *network-number* router configuration command to remove the network from the BGP table. Use the **no neighbor** {*ip-address* | *peer-group-name*} **remote-as** *number* router configuration command to remove a neighbor. Use the **no neighbor** {*ip-address* | *peer-group-name*} **remove-private-as** router configuration command to include private AS numbers in updates to a neighbor. Use the **synchronization** router configuration command to re-enable synchronization.

These examples show how to configure BGP on the routers in [Figure 36-5](#).

#### Router A:

```
Switch(config)# router bgp 100
Switch(config-router)# neighbor 129.213.1.1 remote-as 200
```

**Router B:**

```
Switch(config)# router bgp 200
Switch(config-router)# neighbor 129.213.1.2 remote-as 100
Switch(config-router)# neighbor 175.220.1.2 remote-as 200
```

**Router C:**

```
Switch(config)# router bgp 200
Switch(config-router)# neighbor 175.220.212.1 remote-as 200
Switch(config-router)# neighbor 192.208.10.1 remote-as 300
```

**Router D:**

```
Switch(config)# router bgp 300
Switch(config-router)# neighbor 192.208.10.2 remote-as 200
```

To verify that BGP peers are running, use the **show ip bgp neighbors** privileged EXEC command. This is the output of this command on Router A:

```
Switch# show ip bgp neighbors

BGP neighbor is 129.213.1.1, remote AS 200, external link
  BGP version 4, remote router ID 175.220.212.1
  BGP state = established, table version = 3, up for 0:10:59
  Last read 0:00:29, hold time is 180, keepalive interval is 60 seconds
  Minimum time between advertisement runs is 30 seconds
  Received 2828 messages, 0 notifications, 0 in queue
  Sent 2826 messages, 0 notifications, 0 in queue
  Connections established 11; dropped 10
```

Anything other than *state = established* means that the peers are not running. The remote router ID is the highest IP address on that router (or the highest loopback interface). Each time the table is updated with new information, the table version number increments. A table version number that continually increments means that a route is flapping, causing continual routing updates.

For exterior protocols, a reference to an IP network from the **network** router configuration command controls only which networks are advertised. This is in contrast to Interior Gateway Protocols (IGPs), such as EIGRP, which also use the **network** command to specify where to send updates.

For detailed descriptions of BGP configuration, see the “IP Routing Protocols” part of the *Cisco IOS IP Configuration Guide, Release 12.2*. For details about specific commands, see the *Cisco IOS IP Command Reference, Volume 2 of 3: Routing Protocols, Release 12.2*. See [Appendix C, “Unsupported Commands in Cisco IOS Release 12.2\(55\)SE,”](#) for a list of BGP commands that are visible but not supported by the switch.

## Managing Routing Policy Changes

Routing policies for a peer include all the configurations that might affect inbound or outbound routing table updates. When you have defined two routers as BGP neighbors, they form a BGP connection and exchange routing information. If you later change a BGP filter, weight, distance, version, or timer, or make a similar configuration change, you must reset the BGP sessions so that the configuration changes take effect.



There are two types of reset, hard reset and soft reset. The switch supports a soft reset without any prior configuration when both BGP peers support the soft route refresh capability, which is advertised in the OPEN message sent when the peers establish a TCP session. A soft reset allows the dynamic exchange of route refresh requests and routing information between BGP routers and the subsequent re-advertisement of the respective outbound routing table.

- When soft reset generates inbound updates from a neighbor, it is called *dynamic inbound soft reset*.
- When soft reset sends a set of updates to a neighbor, it is called *outbound soft reset*.

A soft inbound reset causes the new inbound policy to take effect. A soft outbound reset causes the new local outbound policy to take effect without resetting the BGP session. As a new set of updates is sent during outbound policy reset, a new inbound policy can also take effect.

**Table 36-10 Advantages and Disadvantages of Hard and Soft Resets**

Type of Reset	Advantages	Disadvantages
Hard reset	No memory overhead	The prefixes in the BGP, IP, and FIB tables provided by the neighbor are lost. Not recommended.
Outbound soft reset	No configuration, no storing of routing table updates	Does not reset inbound routing table updates.
Dynamic inbound soft reset	Does not clear the BGP session and cache Does not require storing of routing table updates and has no memory overhead	Both BGP routers must support the route refresh capability.

Beginning in privileged EXEC mode, follow these steps to learn if a BGP peer supports the route refresh capability and to reset the BGP session:

	Command	Purpose
Step 1	<b>show ip bgp neighbors</b>	Display whether a neighbor supports the route refresh capability. When supported, this message appears for the router: <i>Received route refresh capability from peer.</i>
Step 2	<b>clear ip bgp</b> { *   <i>address</i>   <i>peer-group-name</i> }	Reset the routing table on the specified connection. <ul style="list-style-type: none"> <li>• Enter an asterisk (*) to specify that all connections be reset.</li> <li>• Enter an IP <i>address</i> to specify the connection to be reset.</li> <li>• Enter a peer group name to reset the peer group.</li> </ul>
Step 3	<b>clear ip bgp</b> { *   <i>address</i>   <i>peer-group-name</i> } <b>soft out</b>	(Optional) Perform an outbound soft reset to reset the inbound routing table on the specified connection. Use this command if route refresh is supported. <ul style="list-style-type: none"> <li>• Enter an asterisk (*) to specify that all connections be reset.</li> <li>• Enter an IP <i>address</i> to specify the connection to be reset.</li> <li>• Enter a peer group name to reset the peer group.</li> </ul>
Step 4	<b>show ip bgp</b> <b>show ip bgp neighbors</b>	Verify the reset by checking information about the routing table and about BGP neighbors.

## Configuring BGP Decision Attributes

When a BGP speaker receives updates from multiple autonomous systems that describe different paths to the same destination, it must choose the single best path for reaching that destination. The decision is based on the value of attributes that the update contains and other BGP-configurable factors. The selected path is entered into the BGP routing table and propagated to its neighbors.

When a BGP peer learns two EBGP paths for a prefix from a neighboring AS, it chooses the best path and inserts that path in the IP routing table. If BGP multipath support is enabled and the EBGP paths are learned from the same neighboring autonomous systems, multiple paths are installed in the IP routing table. Then, during packet switching, per-packet or per-destination load balancing is performed among the multiple paths. The **maximum-paths** router configuration command controls the number of paths allowed.

These factors summarize the order in which BGP evaluates the attributes for choosing the best path:

1. If the path specifies a next hop that is inaccessible, drop the update. The BGP next-hop attribute, automatically determined by the software, is the IP address of the next hop that is going to be used to reach a destination. For EBGP, this is usually the IP address of the neighbor specified by the **neighbor remote-as** router configuration command. You can disable next-hop processing by using route maps or the **neighbor next-hop-self** router configuration command.
2. Prefer the path with the largest weight (a Cisco proprietary parameter). The weight attribute is local to the router and not propagated in routing updates. By default, the weight attribute is 32768 for paths that the router originates and zero for other paths. You can use access lists, route maps, or the **neighbor weight** router configuration command to set weights.
3. Prefer the route with the highest local preference. Local preference is part of the routing update and exchanged among routers in the same AS. The default value of the local preference attribute is 100. You can set local preference by using the **bgp default local-preference** router configuration command or by using a route map.
4. Prefer the route that was originated by BGP running on the local router.
5. Prefer the route with the shortest AS path.
6. Prefer the route with the lowest origin type. An interior route or IGP is lower than a route learned by EGP, and an EGP-learned route is lower than one of unknown origin or learned in another way.
7. Prefer the route with the lowest multi-exit discriminator (MED) metric attribute if the neighboring AS is the same for all routes considered. You can configure the MED by using route maps or by using the **default-metric** router configuration command. When an update is sent to an IBGP peer, the MED is included.
8. Prefer the external (EBGP) path over the internal (IBGP) path.
9. Prefer the route that can be reached through the closest IGP neighbor (the lowest IGP metric). This means that the router will prefer the shortest internal path within the AS to reach the destination (the shortest path to the BGP next-hop).
10. If these conditions are all true, insert the route for this path into the IP routing table:
  - Both the best route and this route are external.
  - Both the best route and this route are from the same neighboring autonomous system.
  - Maximum-paths is enabled.
11. If multipath is not enabled, prefer the route with the lowest IP address value for the BGP router ID. The router ID is usually the highest IP address on the router or the loopback (virtual) address, but might be implementation-specific.

Beginning in privileged EXEC mode, follow these steps to configure some decision attributes:

	Command	Purpose
Step 1	<b>configure terminal</b>	Enter global configuration mode.
Step 2	<b>router bgp</b> <i>autonomous-system</i>	Enable a BGP routing process, assign it an AS number, and enter router configuration mode.
Step 3	<b>bgp best-path as-path ignore</b>	(Optional) Configure the router to ignore AS path length in selecting a route.
Step 4	<b>neighbor</b> { <i>ip-address</i>   <i>peer-group-name</i> } <b>next-hop-self</b>	(Optional) Disable next-hop processing on BGP updates to a neighbor by entering a specific IP address to be used instead of the next-hop address.
Step 5	<b>neighbor</b> { <i>ip-address</i>   <i>peer-group-name</i> } <b>weight</b> <i>weight</i>	(Optional) Assign a weight to a neighbor connection. Acceptable values are from 0 to 65535; the largest weight is the preferred route. Routes learned through another BGP peer have a default weight of 0; routes sourced by the local router have a default weight of 32768.
Step 6	<b>default-metric</b> <i>number</i>	(Optional) Set a MED metric to set preferred paths to external neighbors. All routes without a MED will also be set to this value. The range is 1 to 4294967295. The lowest value is the most desirable.
Step 7	<b>bgp bestpath med missing-as-worst</b>	(Optional) Configure the switch to consider a missing MED as having a value of infinity, making the path without a MED value the least desirable path.
Step 8	<b>bgp always-compare med</b>	(Optional) Configure the switch to compare MEDs for paths from neighbors in different autonomous systems. By default, MED comparison is only done among paths in the same AS.
Step 9	<b>bgp bestpath med confed</b>	(Optional) Configure the switch to consider the MED in choosing a path from among those advertised by different subautonomous systems within a confederation.
Step 10	<b>bgp deterministic med</b>	(Optional) Configure the switch to consider the MED variable when choosing among routes advertised by different peers in the same AS.
Step 11	<b>bgp default local-preference</b> <i>value</i>	(Optional) Change the default local preference value. The range is 0 to 4294967295; the default value is 100. The highest local preference value is preferred.
Step 12	<b>maximum-paths</b> <i>number</i>	(Optional) Configure the number of paths to be added to the IP routing table. The default is to only enter the best path in the routing table. The range is from 1 to 8. Having multiple paths allows load balancing among the paths.
Step 13	<b>end</b>	Return to privileged EXEC mode.
Step 14	<b>show ip bgp</b> <b>show ip bgp neighbors</b>	Verify the reset by checking information about the routing table and about BGP neighbors.
Step 15	<b>copy running-config startup-config</b>	(Optional) Save your entries in the configuration file.

Use the **no** form of each command to return to the default state.

## Configuring BGP Filtering with Route Maps

Within BGP, you can use route maps to control and to modify routing information and to define the conditions by which routes are redistributed between routing domains. See the [“Using Route Maps to Redistribute Routing Information” section on page 36-99](#) for more information about route maps. Each route map has a name that identifies the route map (*map tag*) and an optional sequence number.

Beginning in privileged EXEC mode, follow these steps to use a route map to disable next-hop processing:

	Command	Purpose
Step 1	<b>configure terminal</b>	Enter global configuration mode.
Step 2	<b>route-map</b> <i>map-tag</i> [[ <b>permit</b>   <b>deny</b> ]   <i>sequence-number</i> ]]	Create a route map, and enter route-map configuration mode.
Step 3	<b>set ip next-hop</b> <i>ip-address</i> [... <i>ip-address</i> ] [ <i>peer-address</i> ]	(Optional) Set a route map to disable next-hop processing <ul style="list-style-type: none"> <li>• In an inbound route map, set the next hop of matching routes to be the neighbor peering address, overriding third-party next hops.</li> <li>• In an outbound route map of a BGP peer, set the next hop to the peering address of the local router, disabling the next-hop calculation.</li> </ul>
Step 4	<b>end</b>	Return to privileged EXEC mode.
Step 5	<b>show route-map</b> [ <i>map-name</i> ]	Display all route maps configured or only the one specified to verify configuration.
Step 6	<b>copy running-config startup-config</b>	(Optional) Save your entries in the configuration file.

Use the **no route-map** *map-tag* command to delete the route map. Use the **no set ip next-hop** *ip-address* command to re-enable next-hop processing.

## Configuring BGP Filtering by Neighbor

You can filter BGP advertisements by using AS-path filters, such as the **as-path access-list** global configuration command and the **neighbor filter-list** router configuration command. You can also use access lists with the **neighbor distribute-list** router configuration command. Distribute-list filters are applied to network numbers. See the [“Controlling Advertising and Processing in Routing Updates” section on page 36-108](#) for information about the **distribute-list** command.

You can use route maps on a per-neighbor basis to filter updates and to modify various attributes. A route map can be applied to either inbound or outbound updates. Only the routes that pass the route map are sent or accepted in updates. On both inbound and outbound updates, matching is supported based on AS path, community, and network numbers. Autonomous-system path matching requires the **match as-path access-list** route-map command, community-based matching requires the **match community-list** route-map command, and network-based matching requires the **ip access-list** global configuration command.

Beginning in privileged EXEC mode, follow these steps to apply a per-neighbor route map:

	Command	Purpose
Step 1	<b>configure terminal</b>	Enter global configuration mode.
Step 2	<b>router bgp</b> <i>autonomous-system</i>	Enable a BGP routing process, assign it an AS number, and enter router configuration mode.
Step 3	<b>neighbor</b> { <i>ip-address</i>   <i>peer-group name</i> } <b>distribute-list</b> { <i>access-list-number</i>   <i>name</i> } { <b>in</b>   <b>out</b> }	(Optional) Filter BGP routing updates to or from neighbors as specified in an access list.  <b>Note</b> You can also use the <b>neighbor prefix-list</b> router configuration command to filter updates, but you cannot use both commands to configure the same BGP peer.
Step 4	<b>neighbor</b> { <i>ip-address</i>   <i>peer-group name</i> } <b>route-map</b> <i>map-tag</i> { <b>in</b>   <b>out</b> }	(Optional) Apply a route map to filter an incoming or outgoing route.
Step 5	<b>end</b>	Return to privileged EXEC mode.
Step 6	<b>show ip bgp neighbors</b>	Verify the configuration.
Step 7	<b>copy running-config startup-config</b>	(Optional) Save your entries in the configuration file.

Use the **no neighbor distribute-list** command to remove the access list from the neighbor. Use the **no neighbor route-map** *map-tag* router configuration command to remove the route map from the neighbor.

Another method of filtering is to specify an access list filter on both incoming and outbound updates, based on the BGP autonomous system paths. Each filter is an access list based on regular expressions. (See the “Regular Expressions” appendix in the *Cisco IOS Dial Technologies Command Reference, Release 12.2* for more information on forming regular expressions.) To use this method, define an autonomous system path access list, and apply it to updates to and from particular neighbors.

Beginning in privileged EXEC mode, follow these steps to configure BGP path filtering:

	Command	Purpose
Step 1	<b>configure terminal</b>	Enter global configuration mode.
Step 2	<b>ip as-path access-list</b> <i>access-list-number</i> { <b>permit</b>   <b>deny</b> } <i>as-regular-expressions</i>	Define a BGP-related access list.
Step 3	<b>router bgp</b> <i>autonomous-system</i>	Enter BGP router configuration mode.
Step 4	<b>neighbor</b> { <i>ip-address</i>   <i>peer-group name</i> } <b>filter-list</b> { <i>access-list-number</i>   <i>name</i> } { <b>in</b>   <b>out</b>   <b>weight</b> <i>weight</i> }	Establish a BGP filter based on an access list.
Step 5	<b>end</b>	Return to privileged EXEC mode.
Step 6	<b>show ip bgp neighbors</b> [ <b>paths</b> <i>regular-expression</i> ]	Verify the configuration.
Step 7	<b>copy running-config startup-config</b>	(Optional) Save your entries in the configuration file.

## Configuring Prefix Lists for BGP Filtering

You can use prefix lists as an alternative to access lists in many BGP route filtering commands, including the **neighbor distribute-list** router configuration command. Filtering by a prefix list involves matching the prefixes of routes with those listed in the prefix list, as when matching access lists. When there is a match, the route is used. Whether a prefix is permitted or denied is based upon these rules:

- An empty prefix list permits all prefixes.
- An implicit deny is assumed if a given prefix does not match any entries in a prefix list.
- When multiple entries of a prefix list match a given prefix, the sequence number of a prefix list entry identifies the entry with the lowest sequence number.

By default, sequence numbers are generated automatically and incremented in units of five. If you disable the automatic generation of sequence numbers, you must specify the sequence number for each entry. You can specify sequence values in any increment. If you specify increments of one, you cannot insert additional entries into the list; if you choose very large increments, you might run out of values.

You do not need to specify a sequence number when removing a configuration entry. **Show** commands include the sequence numbers in their output.

Before using a prefix list in a command, you must set up the prefix list. Beginning in privileged EXEC mode, follow these steps to create a prefix list or to add an entry to a prefix list:

	Command	Purpose
Step 1	<b>configure terminal</b>	Enter global configuration mode.
Step 2	<b>ip prefix-list</b> <i>list-name</i> [ <b>seq</b> <i>seq-value</i> ] <b>deny</b>   <b>permit</b> <i>network/len</i> [ <b>ge</b> <i>ge-value</i> ] [ <b>le</b> <i>le-value</i> ]	Create a prefix list with an optional sequence number to <b>deny</b> or <b>permit</b> access for matching conditions. You must enter at least one <b>permit</b> or <b>deny</b> clause. <ul style="list-style-type: none"> <li>• <i>network/len</i> is the network number and length (in bits) of the network mask.</li> <li>• (Optional) <b>ge</b> and <b>le</b> values specify the range of the prefix length to be matched. The specified <i>ge-value</i> and <i>le-value</i> must satisfy this condition: <math>len &lt; ge\text{-}value &lt; le\text{-}value &lt; 32</math></li> </ul>
Step 3	<b>ip prefix-list</b> <i>list-name</i> <b>seq</b> <i>seq-value</i> <b>deny</b>   <b>permit</b> <i>network/len</i> [ <b>ge</b> <i>ge-value</i> ] [ <b>le</b> <i>le-value</i> ]	(Optional) Add an entry to a prefix list, and assign a sequence number to the entry.
Step 4	<b>end</b>	Return to privileged EXEC mode.
Step 5	<b>show ip prefix list</b> [ <b>detail</b>   <b>summary</b> ] <i>name</i> [ <i>network/len</i> ] [ <b>seq</b> <i>seq-num</i> ] [ <b>longer</b> ] [ <b>first-match</b> ]	Verify the configuration by displaying information about a prefix list or prefix list entries.
Step 6	<b>copy running-config startup-config</b>	(Optional) Save your entries in the configuration file.

To delete a prefix list and all of its entries, use the **no ip prefix-list** *list-name* global configuration command. To delete an entry from a prefix list, use the **no ip prefix-list seq** *seq-value* global configuration command. To disable automatic generation of sequence numbers, use the **no ip prefix-list sequence number** command; to reenable automatic generation, use the **ip prefix-list sequence number** command. To clear the hit-count table of prefix list entries, use the **clear ip prefix-list** privileged EXEC command.

## Configuring BGP Community Filtering

One way that BGP controls the distribution of routing information based on the value of the COMMUNITIES attribute. A *community* is a group of destinations that share some common attribute. Each destination can belong to multiple communities. AS administrators can define to which communities a destination belongs. By default, all destinations belong to the general Internet community. The community is identified by the COMMUNITIES attribute, an optional, transitive, global attribute in the numerical range from 1 to 4294967200. These are some predefined, well-known communities:

- **internet**—Advertise this route to the Internet community. All routers belong to it.
- **no-export**—Do not advertise this route to EBGp peers.
- **no-advertise**—Do not advertise this route to any peer (internal or external).
- **local-as**—Do not advertise this route to peers outside the local autonomous system.

Based on the community, you can control which routing information to accept, prefer, or distribute to other neighbors. A BGP speaker can set, append, or modify the community of a route when learning, advertising, or redistributing routes. When routes are aggregated, the resulting aggregate has a COMMUNITIES attribute that contains all communities from all the initial routes.

You can use community lists to create groups of communities to use in a match clause of a route map. As with an access list, a series of community lists can be created. Statements are checked until a match is found. As soon as one statement is satisfied, the test is concluded.

To set the COMMUNITIES attribute and match clauses based on communities, see the **match community-list** and **set community** route-map configuration commands in the [“Using Route Maps to Redistribute Routing Information”](#) section on page 36-99.

By default, no COMMUNITIES attribute is sent to a neighbor. You can specify that the COMMUNITIES attribute be sent to the neighbor at an IP address by using the **neighbor send-community** router configuration command.

Beginning in privileged EXEC mode, follow these steps to create and to apply a community list:

	Command	Purpose
Step 1	<b>configure terminal</b>	Enter global configuration mode.
Step 2	<b>ip community-list</b> <i>community-list-number</i> { <b>permit</b>   <b>deny</b> } <i>community-number</i>	Create a community list, and assign it a number. <ul style="list-style-type: none"> <li>• The <i>community-list-number</i> is an integer from 1 to 99 that identifies one or more permit or deny groups of communities.</li> <li>• The <i>community-number</i> is the number configured by a <b>set community</b> route-map configuration command.</li> </ul>
Step 3	<b>router bgp</b> <i>autonomous-system</i>	Enter BGP router configuration mode.
Step 4	<b>neighbor</b> { <i>ip-address</i>   <i>peer-group name</i> } <b>send-community</b>	Specify that the COMMUNITIES attribute be sent to the neighbor at this IP address.
Step 5	<b>set comm-list</b> <i>list-num</i> <b>delete</b>	(Optional) Remove communities from the community attribute of an inbound or outbound update that match a standard or extended community list specified by a route map.
Step 6	<b>exit</b>	Return to global configuration mode.

	Command	Purpose
Step 7	<b>ip bgp-community new-format</b>	(Optional) Display and parse BGP communities in the format AA:NN. A BGP community is displayed in a two-part format 2 bytes long. The Cisco default community format is in the format NNAA. In the most recent RFC for BGP, a community takes the form AA:NN, where the first part is the AS number and the second part is a 2-byte number.
Step 8	<b>end</b>	Return to privileged EXEC mode.
Step 9	<b>show ip bgp community</b>	Verify the configuration.
Step 10	<b>copy running-config startup-config</b>	(Optional) Save your entries in the configuration file.

## Configuring BGP Neighbors and Peer Groups

Often many BGP neighbors are configured with the same update policies (that is, the same outbound route maps, distribute lists, filter lists, update source, and so on). Neighbors with the same update policies can be grouped into peer groups to simplify configuration and to make updating more efficient. When you have configured many peers, we recommend this approach.

To configure a BGP peer group, you create the peer group, assign options to the peer group, and add neighbors as peer group members. You configure the peer group by using the **neighbor** router configuration commands. By default, peer group members inherit all the configuration options of the peer group, including the remote-as (if configured), version, update-source, out-route-map, out-filter-list, out-dist-list, minimum-advertisement-interval, and next-hop-self. All peer group members also inherit changes made to the peer group. Members can also be configured to override the options that do not affect outbound updates.

To assign configuration options to an individual neighbor, specify any of these router configuration commands by using the neighbor IP address. To assign the options to a peer group, specify any of the commands by using the peer group name. You can disable a BGP peer or peer group without removing all the configuration information by using the **neighbor shutdown** router configuration command.

Beginning in privileged EXEC mode, use these commands to configure BGP peers:

	Command	Purpose
Step 1	<b>configure terminal</b>	Enter global configuration mode.
Step 2	<b>router bgp</b> <i>autonomous-system</i>	Enter BGP router configuration mode.
Step 3	<b>neighbor</b> <i>peer-group-name</i> <b>peer-group</b>	Create a BGP peer group.
Step 4	<b>neighbor</b> <i>ip-address</i> <b>peer-group</b> <i>peer-group-name</i>	Make a BGP neighbor a member of the peer group.
Step 5	<b>neighbor</b> { <i>ip-address</i>   <i>peer-group-name</i> } <b>remote-as</b> <i>number</i>	Specify a BGP neighbor. If a peer group is not configured with a <b>remote-as</b> <i>number</i> , use this command to create peer groups containing EBGP neighbors. The range is 1 to 65535.
Step 6	<b>neighbor</b> { <i>ip-address</i>   <i>peer-group-name</i> } <b>description</b> <i>text</i>	(Optional) Associate a description with a neighbor.
Step 7	<b>neighbor</b> { <i>ip-address</i>   <i>peer-group-name</i> } <b>default-originate</b> [ <b>route-map</b> <i>map-name</i> ]	(Optional) Allow a BGP speaker (the local router) to send the default route 0.0.0.0 to a neighbor for use as a default route.
Step 8	<b>neighbor</b> { <i>ip-address</i>   <i>peer-group-name</i> } <b>send-community</b>	(Optional) Specify that the COMMUNITIES attribute be sent to the neighbor at this IP address.



	Command	Purpose
Step 9	<b>neighbor</b> { <i>ip-address</i>   <i>peer-group-name</i> } <b>update-source</b> <i>interface</i>	(Optional) Allow internal BGP sessions to use any operational interface for TCP connections.
Step 10	<b>neighbor</b> { <i>ip-address</i>   <i>peer-group-name</i> } <b>ebgp-multihop</b>	(Optional) Allow BGP sessions, even when the neighbor is not on a directly connected segment. The multihop session is not established if the only route to the multihop peer's address is the default route (0.0.0.0).
Step 11	<b>neighbor</b> { <i>ip-address</i>   <i>peer-group-name</i> } <b>local-as</b> <i>number</i>	(Optional) Specify an AS number to use as the local AS. The range is 1 to 65535.
Step 12	<b>neighbor</b> { <i>ip-address</i>   <i>peer-group-name</i> } <b>advertisement-interval</b> <i>seconds</i>	(Optional) Set the minimum interval between sending BGP routing updates.
Step 13	<b>neighbor</b> { <i>ip-address</i>   <i>peer-group-name</i> } <b>maximum-prefix</b> <i>maximum</i> [ <i>threshold</i> ]	(Optional) Control how many prefixes can be received from a neighbor. The range is 1 to 4294967295. The <i>threshold</i> (optional) is the percentage of maximum at which a warning message is generated. The default is 75 percent.
Step 14	<b>neighbor</b> { <i>ip-address</i>   <i>peer-group-name</i> } <b>next-hop-self</b>	(Optional) Disable next-hop processing on the BGP updates to a neighbor.
Step 15	<b>neighbor</b> { <i>ip-address</i>   <i>peer-group-name</i> } <b>password</b> <i>string</i>	(Optional) Set MD5 authentication on a TCP connection to a BGP peer. The same password must be configured on both BGP peers, or the connection between them is not made.
Step 16	<b>neighbor</b> { <i>ip-address</i>   <i>peer-group-name</i> } <b>route-map</b> <i>map-name</i> { <b>in</b>   <b>out</b> }	(Optional) Apply a route map to incoming or outgoing routes.
Step 17	<b>neighbor</b> { <i>ip-address</i>   <i>peer-group-name</i> } <b>send-community</b>	(Optional) Specify that the COMMUNITIES attribute be sent to the neighbor at this IP address.
Step 18	<b>neighbor</b> { <i>ip-address</i>   <i>peer-group-name</i> } <b>timers</b> <i>keepalive holdtime</i>	(Optional) Set timers for the neighbor or peer group. <ul style="list-style-type: none"> <li>The <i>keepalive</i> interval is the time within which keepalive messages are sent to peers. The range is 1 to 4294967295 seconds; the default is 60.</li> <li>The <i>holdtime</i> is the interval after which a peer is declared inactive after not receiving a keepalive message from it. The range is 1 to 4294967295 seconds; the default is 180.</li> </ul>
Step 19	<b>neighbor</b> { <i>ip-address</i>   <i>peer-group-name</i> } <b>weight</b> <i>weight</i>	(Optional) Specify a weight for all routes from a neighbor.
Step 20	<b>neighbor</b> { <i>ip-address</i>   <i>peer-group-name</i> } <b>distribute-list</b> { <i>access-list-number</i>   <i>name</i> } { <b>in</b>   <b>out</b> }	(Optional) Filter BGP routing updates to or from neighbors, as specified in an access list.
Step 21	<b>neighbor</b> { <i>ip-address</i>   <i>peer-group-name</i> } <b>filter-list</b> <i>access-list-number</i> { <b>in</b>   <b>out</b>   <b>weight</b> } <i>weight</i>	(Optional) Establish a BGP filter.
Step 22	<b>neighbor</b> { <i>ip-address</i>   <i>peer-group-name</i> } <b>version</b> <i>value</i>	(Optional) Specify the BGP version to use when communicating with a neighbor.
Step 23	<b>neighbor</b> { <i>ip-address</i>   <i>peer-group-name</i> } <b>soft-reconfiguration inbound</b>	(Optional) Configure the software to start storing received updates.
Step 24	<b>end</b>	Return to privileged EXEC mode.

	Command	Purpose
Step 25	<b>show ip bgp neighbors</b>	Verify the configuration.
Step 26	<b>copy running-config startup-config</b>	(Optional) Save your entries in the configuration file.

To disable an existing BGP neighbor or neighbor peer group, use the **neighbor shutdown** router configuration command. To enable a previously existing neighbor or neighbor peer group that had been disabled, use the **no neighbor shutdown** router configuration command.

## Configuring Aggregate Addresses

Classless interdomain routing (CIDR) enables you to create aggregate routes (or *supernets*) to minimize the size of routing tables. You can configure aggregate routes in BGP either by redistributing an aggregate route into BGP or by creating an aggregate entry in the BGP routing table. An aggregate address is added to the BGP table when there is at least one more specific entry in the BGP table.

Beginning in privileged EXEC mode, use these commands to create an aggregate address in the routing table:

	Command	Purpose
Step 1	<b>configure terminal</b>	Enter global configuration mode.
Step 2	<b>router bgp</b> <i>autonomous-system</i>	Enter BGP router configuration mode.
Step 3	<b>aggregate-address</b> <i>address mask</i>	Create an aggregate entry in the BGP routing table. The aggregate route is advertised as coming from the AS, and the atomic aggregate attribute is set to indicate that information might be missing.
Step 4	<b>aggregate-address</b> <i>address mask as-set</i>	(Optional) Generate AS set path information. This command creates an aggregate entry following the same rules as the previous command, but the advertised path will be an AS_SET consisting of all elements contained in all paths. Do not use this keyword when aggregating many paths because this route must be continually withdrawn and updated.
Step 5	<b>aggregate-address</b> <i>address-mask summary-only</i>	(Optional) Advertise summary addresses only.
Step 6	<b>aggregate-address</b> <i>address mask suppress-map</i> <i>map-name</i>	(Optional) Suppress selected, more specific routes.
Step 7	<b>aggregate-address</b> <i>address mask advertise-map</i> <i>map-name</i>	(Optional) Generate an aggregate based on conditions specified by the route map.
Step 8	<b>aggregate-address</b> <i>address mask attribute-map</i> <i>map-name</i>	(Optional) Generate an aggregate with attributes specified in the route map.
Step 9	<b>end</b>	Return to privileged EXEC mode.
Step 10	<b>show ip bgp neighbors</b> [ <b>advertised-routes</b> ]	Verify the configuration.
Step 11	<b>copy running-config startup-config</b>	(Optional) Save your entries in the configuration file.

To delete an aggregate entry, use the **no aggregate-address** *address mask* router configuration command. To return options to the default values, use the command with keywords.

## Configuring Routing Domain Confederations

One way to reduce the IBGP mesh is to divide an autonomous system into multiple subautonomous systems and to group them into a single confederation that appears as a single autonomous system. Each autonomous system is fully meshed within itself and has a few connections to other autonomous systems in the same confederation. Even though the peers in different autonomous systems have EBGP sessions, they exchange routing information as if they were IBGP peers. Specifically, the next hop, MED, and local preference information is preserved. You can then use a single IGP for all of the autonomous systems.

To configure a BGP confederation, you must specify a confederation identifier that acts as the autonomous system number for the group of autonomous systems. Beginning in privileged EXEC mode, use these commands to configure a BGP confederation:

	Command	Purpose
Step 1	<b>configure terminal</b>	Enter global configuration mode.
Step 2	<b>router bgp</b> <i>autonomous-system</i>	Enter BGP router configuration mode.
Step 3	<b>bgp confederation identifier</b> <i>autonomous-system</i>	Configure a BGP confederation identifier.
Step 4	<b>bgp confederation peers</b> <i>autonomous-system</i> [ <i>autonomous-system ...</i> ]	Specify the autonomous systems that belong to the confederation and that will be treated as special EBGP peers.
Step 5	<b>end</b>	Return to privileged EXEC mode.
Step 6	<b>show ip bgp neighbor</b> <b>show ip bgp network</b>	Verify the configuration.
Step 7	<b>copy running-config startup-config</b>	(Optional) Save your entries in the configuration file.

## Configuring BGP Route Reflectors

BGP requires that all of the IBGP speakers be fully meshed. When a router receives a route from an external neighbor, it must advertise it to all internal neighbors. To prevent a routing information loop, all IBGP speakers must be connected. The internal neighbors do not send routes learned from internal neighbors to other internal neighbors.

With route reflectors, all IBGP speakers need not be fully meshed because another method is used to pass learned routes to neighbors. When you configure an internal BGP peer to be a *route reflector*, it is responsible for passing IBGP learned routes to a set of IBGP neighbors. The internal peers of the route reflector are divided into two groups: *client peers* and *nonclient peers* (all the other routers in the autonomous system). A route reflector reflects routes between these two groups. The route reflector and its client peers form a *cluster*. The nonclient peers must be fully meshed with each other, but the client peers need not be fully meshed. The clients in the cluster do not communicate with IBGP speakers outside their cluster.

When the route reflector receives an advertised route, it takes one of these actions, depending on the neighbor:

- A route from an external BGP speaker is advertised to all clients and nonclient peers.
- A route from a nonclient peer is advertised to all clients.
- A route from a client is advertised to all clients and nonclient peers. Hence, the clients need not be fully meshed.

Usually a cluster of clients have a single route reflector, and the cluster is identified by the route reflector router ID. To increase redundancy and to avoid a single point of failure, a cluster might have more than one route reflector. In this case, all route reflectors in the cluster must be configured with the same 4-byte cluster ID so that a route reflector can recognize updates from route reflectors in the same cluster. All the route reflectors serving a cluster should be fully meshed and should have identical sets of client and nonclient peers.

Beginning in privileged EXEC mode, use these commands to configure a route reflector and clients:

	Command	Purpose
Step 1	<b>configure terminal</b>	Enter global configuration mode.
Step 2	<b>router bgp</b> <i>autonomous-system</i>	Enter BGP router configuration mode.
Step 3	<b>neighbor</b> <i>ip-address</i>   <i>peer-group-name</i> <b>route-reflector-client</b>	Configure the local router as a BGP route reflector and the specified neighbor as a client.
Step 4	<b>bgp cluster-id</b> <i>cluster-id</i>	(Optional) Configure the cluster ID if the cluster has more than one route reflector.
Step 5	<b>no bgp client-to-client reflection</b>	(Optional) Disable client-to-client route reflection. By default, the routes from a route reflector client are reflected to other clients. However, if the clients are fully meshed, the route reflector does not need to reflect routes to clients.
Step 6	<b>end</b>	Return to privileged EXEC mode.
Step 7	<b>show ip bgp</b>	Verify the configuration. Display the originator ID and the cluster-list attributes.
Step 8	<b>copy running-config startup-config</b>	(Optional) Save your entries in the configuration file.

## Configuring Route Dampening

Route flap dampening minimizes the propagation of flapping routes across an internetwork. A route is considered to be flapping when it is repeatedly available, then unavailable, then available, then unavailable, and so on. When route dampening is enabled, a numeric *penalty* value is assigned to a route when it flaps. When a route's accumulated penalties reach a configurable limit, BGP suppresses advertisements of the route, even if the route is running. The *reuse limit* is a configurable value that is compared with the penalty. If the penalty is less than the reuse limit, a suppressed route that is up is advertised again.

Dampening is not applied to routes that are learned by IBGP. This policy prevents the IBGP peers from having a higher penalty for routes external to the AS.

Beginning in privileged EXEC mode, use these commands to configure BGP route dampening:

	Command	Purpose
Step 1	<b>configure terminal</b>	Enter global configuration mode.
Step 2	<b>router bgp</b> <i>autonomous-system</i>	Enter BGP router configuration mode.
Step 3	<b>bgp dampening</b>	Enable BGP route dampening.
Step 4	<b>bgp dampening</b> <i>half-life</i> <i>reuse</i> <i>suppress</i> <i>max-suppress</i> [ <b>route-map</b> <i>map</i> ]	(Optional) Change the default values of route dampening factors.
Step 5	<b>end</b>	Return to privileged EXEC mode.

	Command	Purpose
Step 6	<b>show ip bgp flap-statistics</b> [{ <b>regex</b> <i>regex</i> }   { <b>filter-list</b> <i>list</i> }   { <i>address mask</i> [ <b>longer-prefix</b> ]}]	(Optional) Monitor the flaps of all paths that are flapping. The statistics are deleted when the route is not suppressed and is stable.
Step 7	<b>show ip bgp dampened-paths</b>	(Optional) Display the dampened routes, including the time remaining before they are suppressed.
Step 8	<b>clear ip bgp flap-statistics</b> [{ <b>regex</b> <i>regex</i> }   { <b>filter-list</b> <i>list</i> }   { <i>address mask</i> [ <b>longer-prefix</b> ]}]	(Optional) Clear BGP flap statistics to make it less likely that a route will be dampened.
Step 9	<b>clear ip bgp dampening</b>	(Optional) Clear route dampening information, and unsuppress the suppressed routes.
Step 10	<b>copy running-config startup-config</b>	(Optional) Save your entries in the configuration file.

To disable flap dampening, use the **no bgp dampening** router configuration command without keywords. To set dampening factors back to the default values, use the **no bgp dampening** router configuration command with values.

## Monitoring and Maintaining BGP

You can remove all contents of a particular cache, table, or database. This might be necessary when the contents of the particular structure have become or are suspected to be invalid.

You can display specific statistics, such as the contents of BGP routing tables, caches, and databases. You can use the information to get resource utilization and solve network problems. You can also display information about node reachability and discover the routing path your device's packets are taking through the network.

[Table 36-8](#) lists the privileged EXEC commands for clearing and displaying BGP. For explanations of the display fields, see the *Cisco IOS IP Command Reference, Volume 2 of 3: Routing Protocols, Release 12.2*.

**Table 36-11** IP BGP Clear and Show Commands

Command	Purpose
<b>clear ip bgp</b> <i>address</i>	Reset a particular BGP connection.
<b>clear ip bgp</b> *	Reset all BGP connections.
<b>clear ip bgp peer-group</b> <i>tag</i>	Remove all members of a BGP peer group.
<b>show ip bgp</b> <i>prefix</i>	Display peer groups and peers not in peer groups to which the prefix has been advertised. Also display prefix attributes such as the next hop and the local prefix.
<b>show ip bgp cidr-only</b>	Display all BGP routes that contain subnet and supernet network masks.
<b>show ip bgp community</b> [ <i>community-number</i> ] [ <b>exact</b> ]	Display routes that belong to the specified communities.
<b>show ip bgp community-list</b> <i>community-list-number</i> [ <b>exact-match</b> ]	Display routes that are permitted by the community list.
<b>show ip bgp filter-list</b> <i>access-list-number</i>	Display routes that are matched by the specified AS path access list.

Table 36-11 IP BGP Clear and Show Commands (continued)

Command	Purpose
<code>show ip bgp inconsistent-as</code>	Display the routes with inconsistent originating autonomous systems.
<code>show ip bgp regexp <i>regular-expression</i></code>	Display the routes that have an AS path that matches the specified regular expression entered on the command line.
<code>show ip bgp</code>	Display the contents of the BGP routing table.
<code>show ip bgp neighbors [address]</code>	Display detailed information on the BGP and TCP connections to individual neighbors.
<code>show ip bgp neighbors [address] [advertised-routes   dampened-routes   flap-statistics   paths <i>regular-expression</i>   received-routes   routes]</code>	Display routes learned from a particular BGP neighbor.
<code>show ip bgp paths</code>	Display all BGP paths in the database.
<code>show ip bgp peer-group [tag] [summary]</code>	Display information about BGP peer groups.
<code>show ip bgp summary</code>	Display the status of all BGP connections.

You can also enable the logging of messages generated when a BGP neighbor resets, comes up, or goes down by using the **bgp log-neighbor changes** router configuration command.

## Configuring ISO CLNS Routing

The International Organization for Standardization (ISO) Connectionless Network Service (CLNS) protocol is a standard for the network layer of the Open System Interconnection (OSI) model. Addresses in the ISO network architecture are referred to as network service access point (NSAP) addresses and network entity titles (NETs). Each node in an OSI network has one or more NETs. In addition, each node has many NSAP addresses.

When you enable connectionless routing on the switch by using the **clns routing** global configuration command, the switch makes only forwarding decisions, with no routing-related functionality. For dynamic routing, you must also enable a routing protocol. The switch supports the Intermediate System-to-Intermediate System (IS-IS) dynamic routing protocols for ISO CLNS networks: This routing protocol supports the concept of *areas*. Within an area, all routers know how to reach all the system IDs. Between areas, routers know how to reach the proper area. IS-IS supports two levels of routing: *station routing* (within an area) and *area routing* (between areas).

The key difference between the ISO IGRP and IS-IS NSAP addressing schemes is in the definition of area addresses. Both use the system ID for Level 1 routing (routing within an area). However, they differ in the way addresses are specified for area routing. An ISO IGRP NSAP address includes three separate fields for routing: the *domain*, *area*, and *system ID*. An IS-IS address includes two fields: a single continuous *area* field (comprising the domain and area fields) and the *system ID*.



### Note

For more detailed information about ISO CLNS, see the *Cisco IOS Apollo Domain, Banyan VINES, DECnet, ISO CLNS and XNS Configuration Guide, Release 12.2*. For complete syntax and usage information for the commands used in this chapter, see the *Cisco IOS Apollo Domain, Banyan VINES, DECnet, ISO CLNS and XNS Command Reference, Release 12.2*, use the IOS command reference master index, or search online.

## Configuring IS-IS Dynamic Routing

IS-IS is an ISO dynamic routing protocol. Enabling IS-IS requires that you create an IS-IS routing process and assign it to a specific interface, rather than to a network. You can specify more than one IS-IS routing process per Layer 3 switch or router by using the multiarea IS-IS configuration syntax. You then configure the parameters for each instance of the IS-IS routing process.

Small IS-IS networks are built as a single area that includes all the routers in the network. As the network grows larger, it is usually reorganized into a backbone area made up of the connected set of all Level 2 routers from all areas, which is in turn connected to local areas. Within a local area, routers know how to reach all system IDs. Between areas, routers know how to reach the backbone, and the backbone routers know how to reach other areas.

Routers establish Level 1 adjacencies to perform routing within a local area (station routing). Routers establish Level 2 adjacencies to perform routing between Level 1 areas (area routing).

A single Cisco router can participate in routing in up to 29 areas and can perform Level 2 routing in the backbone. In general, each routing process corresponds to an area. By default, the first instance of the routing process configured performs both Level 1 and Level 2 routing. You can configure additional router instances, which are automatically treated as Level 1 areas. You must configure the parameters for each instance of the IS-IS routing process individually.

For IS-IS multiarea routing, you can configure only one process to perform Level 2 routing, although you can define up to 29 Level 1 areas for each Cisco unit. If Level 2 routing is configured on any process, all additional processes are automatically configured as Level 1. You can configure this process to perform Level 1 routing at the same time. If Level 2 routing is not desired for a router instance, remove the Level 2 capability using the **is-type** global configuration command. Use the **is-type** command also to configure a different router instance as a Level 2 router.



### Note

For more detailed information about IS-IS, see the “IP Routing Protocols” chapter of the *Cisco IOS IP Configuration Guide, Release 12.2*. For complete syntax and usage information for the commands used in this section, see the *Cisco IOS IP Command Reference, Release 12.2*.

This section briefly describes how to configure IS-IS routing. It includes this information:

- [Default IS-IS Configuration, page 36-63](#)
- [Nonstop Forwarding Awareness, page 36-64](#)
- [Configuring IS-IS Global Parameters, page 36-66](#)
- [Configuring IS-IS Interface Parameters, page 36-69](#)

## Default IS-IS Configuration

Table 36-12 Default IS-IS Configuration

Feature	Default Setting
Ignore link-state PDU (LSP) errors	Enabled.
IS-IS type	Conventional IS-IS: the router acts as both a Level 1 (station) and a Level 2 (area) router.  Multiarea IS-IS: the first instance of the IS-IS routing process is a Level 1-2 router. Remaining instances are Level 1 routers.

Table 36-12 Default IS-IS Configuration (continued)

Feature	Default Setting
Default-information originate	Disabled.
Log IS-IS adjacency state changes.	Disabled.
LSP generation throttling timers	Maximum interval between two consecutive occurrences: 5 seconds. Initial LSP generation delay: 50 ms. Hold time between the first and second LSP generation: 5000 ms.
LSP maximum lifetime (without a refresh)	1200 seconds (20 minutes) before the LSP packet is deleted.
LSP refresh interval	Send LSP refreshes every 900 seconds (15 minutes).
Maximum LSP packet size	1497 bytes.
NSF <sup>1</sup> Awareness	Enabled <sup>2</sup> . Allows Layer 3 switches to continue forwarding packets from a neighboring NSF-capable router during hardware or software changes.
Partial route computation (PRC) throttling timers	Maximum PRC wait interval: 5 seconds. Initial PRC calculation delay after a topology change: 2000 ms. Hold time between the first and second PRC calculation: 5000 ms.
Partition avoidance	Disabled.
Password	No area or domain password is defined, and authentication is disabled.
Set-overload-bit	Disabled. When enabled, if no arguments are entered, the overload bit is set immediately and remains set until you enter the <b>no set-overload-bit</b> command.
Shortest path first (SPF) throttling timers	Maximum interval between consecutive SFPS: 10 seconds. Initial SFP calculation after a topology change: 5500 ms. Holdtime between the first and second SFP calculation: 5500 ms.
Summary-address	Disabled.

1. NSF = Nonstop Forwarding

2. IS-IS NSF awareness is enabled for IPv4 on switches running the metro IP access image.

## Nonstop Forwarding Awareness

The integrated IS-IS NSF Awareness feature is supported for IPv4 in the metro IP access image. The feature allows customer premises equipment (CPE) routers that are NSF-aware to help NSF-capable routers perform nonstop forwarding of packets. The local router is not necessarily performing NSF, but its awareness of NSF allows the integrity and accuracy of the routing database and link-state database on the neighboring NSF-capable router to be maintained during the switchover process.

This feature is automatically enabled and requires no configuration. For more information on this feature, see the *Integrated IS-IS Nonstop Forwarding (NSF) Awareness Feature Guide*.

## Enabling IS-IS Routing

To enable IS-IS, you specify a name and NET for each routing process. You then enable IS-IS routing on the interface and specify the area for each instance of the routing process.



Beginning in privileged EXEC mode, follow these steps to enable IS-IS and specify the area for each instance of the IS-IS routing process:

	Command	Purpose
Step 1	<b>configure terminal</b>	Enter global configuration mode.
Step 2	<b>clns routing</b>	Enable ISO connectionless routing on the switch.
Step 3	<b>router isis</b> [ <i>area tag</i> ]	Enable the IS-IS routing for the specified routing process and enter IS-IS routing configuration mode.  (Optional) Use the <i>area tag</i> argument to identify the area to which the IS-IS router is assigned. You must enter a value if you are configuring multiple IS-IS areas.  The first IS-IS instance configured is Level 1-2 by default. Later instances are automatically Level 1. You can change the level of routing by using the <b>is-type</b> global configuration command.
Step 4	<b>net</b> <i>network-entity-title</i>	Configure the NETs for the routing process. If you are configuring multiarea IS-IS, specify a NET for each routing process. You can specify a name for a NET and for an address.
Step 5	<b>is-type</b> { <b>level-1</b>   <b>level-1-2</b>   <b>level-2-only</b> }	(Optional) You can configure the router to act as a Level 1 (station) router, a Level 2 (area) router for multi-area routing, or both (the default): <ul style="list-style-type: none"> <li>• <b>level-1</b>—act as a station router only</li> <li>• <b>level-1-2</b>—act as both a station router and an area router</li> <li>• <b>level 2</b>—act as an area router only</li> </ul>
Step 6	<b>exit</b>	Return to global configuration mode.
Step 7	<b>interface</b> <i>interface-id</i>	Specify an interface to route IS-IS, and enter interface configuration mode. If the interface is not already configured as a Layer 3 interface, enter the <b>no switchport</b> command to put it into Layer 3 mode.
Step 8	<b>no shutdown</b>	Enable the interface if necessary. By default, UNIs and ENIs are disabled and NNIs are enabled.
Step 9	<b>ip router isis</b> [ <i>area tag</i> ]	Configure an IS-IS routing process for ISO CLNS on the interface and attach an area designator to the routing process.
Step 10	<b>clns router isis</b> [ <i>area tag</i> ]	Enable ISO CLNS on the interface.
Step 11	<b>ip address</b> <i>ip-address-mask</i>	Define the IP address for the interface. An IP address is required on all interfaces in an area enabled for IS-IS if any one interface is configured for IS-IS routing.
Step 12	<b>end</b>	Return to privileged EXEC mode.
Step 13	<b>show isis</b> [ <i>area tag</i> ] <b>database detail</b>	Verify your entries.
Step 14	<b>copy running-config startup-config</b>	(Optional) Save your entries in the configuration file.

To disable IS-IS routing, use the **no router isis** *area-tag* router configuration command.

This example shows how to configure three routers to run conventional IS-IS as an IP routing protocol. In conventional IS-IS, all routers act as Level 1 and Level 2 routers (by default).

#### Router A

```
Switch(config)# clns routing
Switch(config)# router isis
Switch(config-router)# net 49.0001.0000.0000.000a.00
Switch(config-router)# exit
Switch(config)# interface gigabitethernet0/1
Switch(config-if)# ip router isis
Switch(config-if)# clns router isis
Switch(config)# interface gigabitethernet0/2
Switch(config-if)# ip router isis
Switch(config-if)# clns router isis
Switch(config-router)# exit
```

#### Router B

```
Switch(config)# clns routing
Switch(config)# router isis
Switch(config-router)# net 49.0001.0000.0000.000b.00
Switch(config-router)# exit
Switch(config)# interface gigabitethernet0/1
Switch(config-if)# ip router isis
Switch(config-if)# clns router isis
Switch(config)# interface gigabitethernet0/2
Switch(config-if)# ip router isis
Switch(config-if)# clns router isis
Switch(config-router)# exit
```

#### Router C

```
Switch(config)# clns routing
Switch(config)# router isis
Switch(config-router)# net 49.0001.0000.0000.000c.00
Switch(config-router)# exit
Switch(config)# interface gigabitethernet0/1
Switch(config-if)# ip router isis
Switch(config-if)# clns router isis
Switch(config)# interface gigabitethernet0/2
Switch(config-if)# ip router isis
Switch(config-if)# clns router isis
Switch(config-router)# exit
```

## Configuring IS-IS Global Parameters

These are some optional IS-IS global parameters that you can configure:

- You can force a default route into an IS-IS routing domain by configuring a default route controlled by a route map. You can also specify other filtering options configurable under a route map.
- You can configure the router to ignore IS-IS LSPs that are received with internal checksum errors or to purge corrupted LSPs, which causes the initiator of the LSP to regenerate it.
- You can assign passwords to areas and domains.
- You can create aggregate addresses that are represented in the routing table by a summary address (route-summarization). Routes learned from other routing protocols can also be summarized. The metric used to advertise the summary is the smallest metric of all the specific routes.
- You can set an overload bit.

- You can configure the LSP refresh interval and the maximum time that an LSP can remain in the router database without a refresh
- You can set the throttling timers for LSP generation, shortest path first computation, and partial route computation.
- You can configure the switch to generate a log message when an IS-IS adjacency changes state (up or down).
- If a link in the network has a maximum transmission unit (MTU) size of less than 1500 bytes, you can lower the LSP MTU so that routing will still occur.
- The partition avoidance router configuration command prevents an area from becoming partitioned when full connectivity is lost among a Level1-2 border router, adjacent Level 1 routers, and end hosts.

Beginning in privileged EXEC mode, follow these steps to configure IS-IS parameters:

	Command	Purpose
Step 1	<b>configure terminal</b>	Enter global configuration mode.
Step 2	<b>clns routing</b>	Enable ISO connectionless routing on the switch.
Step 3	<b>router isis</b>	Specify the IS-IS routing protocol and enter router configuration mode.
Step 4	<b>default-information originate</b> [ <b>route-map</b> <i>map-name</i> ]	(Optional) Force a default route into the IS-IS routing domain. If you enter <b>route-map</b> <i>map-name</i> , the routing process generates the default route if the route map is satisfied.
Step 5	<b>ignore-lsp-errors</b>	(Optional) Configure the router to ignore LSPs with internal checksum errors, instead of purging the LSPs. This command is enabled by default (corrupted LSPs are dropped). To purge the corrupted LSPs, enter the <b>no ignore-lsp-errors</b> router configuration command.
Step 6	<b>area-password</b> <i>password</i>	(Optional) Configure the area authentication password, which is inserted in Level 1 (station router level) LSPs.
Step 7	<b>domain-password</b> <i>password</i>	(Optional) Configure the routing domain authentication password, which is inserted in Level 2 (area router level) LSPs.
Step 8	<b>summary-address</b> <i>address mask</i> [ <b>level-1</b>   <b>level-1-2</b>   <b>level-2</b> ]	(Optional) Create a summary of addresses for a given level.
Step 9	<b>set-overload-bit</b> [ <b>on-startup</b> { <i>seconds</i>   <b>wait-for-bgp</b> }]	(Optional) Set an overload bit (a hippity bit) to allow other routers to ignore the router in their shortest path first (SPF) calculations if the router is having problems. <ul style="list-style-type: none"> <li>• (Optional) <b>on-startup</b>—sets the overload bit only on startup. If <b>on-startup</b> is not specified, the overload bit is set immediately and remains set until you enter the <b>no set-overload-bit</b> command. If <b>on-startup</b> is specified, you must enter a number of seconds or <b>wait-for-bgp</b>.</li> <li>• <i>seconds</i>—When the <b>on-startup</b> keyword is configured, causes the overload bit to be set upon system startup and remain set for this number of seconds. The range is from 5 to 86400 seconds.</li> <li>• <b>wait-for-bgp</b>—When the <b>on-startup</b> keyword is configured, causes the overload bit to be set upon system startup and remain set until BGP has converged. If BGP does not signal IS-IS that it is converged, IS-IS will turn off the overload bit after 10 minutes.</li> </ul>

	Command	Purpose
Step 10	<b>lsp-refresh-interval</b> <i>seconds</i>	(Optional) Set an LSP refresh interval in seconds. The range is from 1 to 65535 seconds. The default is to send LSP refreshes every 900 seconds (15 minutes).
Step 11	<b>max-lsp-lifetime</b> <i>seconds</i>	(Optional) Set the maximum time that LSP packets remain in the router database without being refreshed. The range is from 1 to 65535 seconds. The default is 1200 seconds (20 minutes). After the specified time interval, the LSP packet is deleted.
Step 12	<b>lsp-gen-interval</b> [ <b>level-1</b>   <b>level-2</b> ] <i>lsp-max-wait</i> [ <i>lsp-initial-wait</i> <i>lsp-second-wait</i> ]	(Optional) Set the IS-IS LSP generation throttling timers: <ul style="list-style-type: none"> <li>• <i>lsp-max-wait</i>—the maximum interval (in seconds) between two consecutive occurrences of an LSP being generated. The range is 1 to 120, the default is 5.</li> <li>• <i>lsp-initial-wait</i>—the initial LSP generation delay (in milliseconds). The range is 1 to 10000; the default is 50.</li> <li>• <i>lsp-second-wait</i>—the hold time between the first and second LSP generation (in milliseconds). The range is 1 to 10000; the default is 5000.</li> </ul>
Step 13	<b>spf-interval</b> [ <b>level-1</b>   <b>level-2</b> ] <i>spf-max-wait</i> [ <i>spf-initial-wait</i> <i>spf-second-wait</i> ]	(Optional) Sets IS-IS shortest path first (SPF) throttling timers. <ul style="list-style-type: none"> <li>• <i>spf-max-wait</i>—the maximum interval between consecutive SFPs (in seconds). The range is 1 to 120, the default is 10.</li> <li>• <i>spf-initial-wait</i>—the initial SFP calculation after a topology change (in milliseconds). The range is 1 to 10000; the default is 5500.</li> <li>• <i>spf-second-wait</i>—the holdtime between the first and second SFP calculation (in milliseconds). The range is 1 to 10000; the default is 5500.</li> </ul>
Step 14	<b>prc-interval</b> <i>prc-max-wait</i> [ <i>prc-initial-wait</i> <i>prc-second-wait</i> ]	(Optional) Sets IS-IS partial route computation (PRC) throttling timers. <ul style="list-style-type: none"> <li>• <i>prc-max-wait</i>—the maximum interval (in seconds) between two consecutive PRC calculations. The range is 1 to 120; the default is 5.</li> <li>• <i>prc-initial-wait</i>—the initial PRC calculation delay (in milliseconds) after a topology change. The range is 1 to 10,000; the default is 2000.</li> <li>• <i>prc-second-wait</i>—the hold time between the first and second PRC calculation (in milliseconds). The range is 1 to 10,000; the default is 5000.</li> </ul>
Step 15	<b>log-adjacency-changes</b> [ <b>all</b> ]	(Optional) Set the router to log IS-IS adjacency state changes. Enter <b>all</b> to include all changes generated by events that are not related to the Intermediate System-to-Intermediate System Hellos, including End System-to-Intermediate System PDUs and link state packets (LSPs).
Step 16	<b>lsp-mtu</b> <i>size</i>	(Optional) Specify the maximum LSP packet size in bytes. The range is 128 to 4352; the default is 1497 bytes.  <b>Note</b> If any link in the network has a reduced MTU size, you must change the LSP MTU size on all routers in the network.
Step 17	<b>partition avoidance</b>	(Optional) Causes an IS-IS Level 1-2 border router to stop advertising the Level 1 area prefix into the Level 2 backbone when full connectivity is lost among the border router, all adjacent level 1 routers, and end hosts.
Step 18	<b>end</b>	Return to privileged EXEC mode.

	Command	Purpose
Step 19	<b>show clns</b>	Verify your entries.
Step 20	<b>copy running-config startup-config</b>	(Optional) Save your entries in the configuration file.

To disable default route generation, use the **no default-information originate** router configuration command. Use the **no area-password** or **no domain-password** router configuration command to disable passwords. To disable LSP MTU settings, use the **no lsp mtu** router configuration command. To return to the default conditions for summary addressing, LSP refresh interval, LSP lifetime, LSP timers, SFP timers, and PRC timers, use the **no** form of the commands. Use the **no partition avoidance** router configuration command to disable the output format.

## Configuring IS-IS Interface Parameters

You can optionally configure certain interface-specific IS-IS parameters, independently from other attached routers. However, if you change some values from the defaults, such as multipliers and time intervals, it makes sense to also change them on multiple routers and interfaces. Most of the interface parameters can be configured for level 1, level 2, or both.

These are some interface level parameters you can configure:

- The default metric on the interface, which is used as a value for the IS-IS metric and assigned when there is no quality of service (QoS) routing performed.
- The hello interval (length of time between hello packets sent on the interface) or the default hello packet multiplier used on the interface to determine the hold time sent in IS-IS hello packets. The hold time determines how long a neighbor waits for another hello packet before declaring the neighbor down. This determines how quickly a failed link or neighbor is detected so that routes can be recalculated. Change the hello-multiplier in circumstances where hello packets are lost frequently and IS-IS adjacencies are failing unnecessarily. You can raise the hello multiplier and lower the hello interval correspondingly to make the hello protocol more reliable without increasing the time required to detect a link failure.
- Other time intervals:
  - Complete sequence number PDU (CSNP) interval. CSNPs are sent by the designated router to maintain database synchronization
  - Retransmission interval. This is the time between retransmission of IS-IS LSPs for point-to-point links.
  - IS-IS LSP retransmission throttle interval. This is the maximum rate (number of milliseconds between packets) at which IS-IS LSPs are re-sent on point-to-point links. This interval is different from the retransmission interval, which is the time between successive retransmissions of the *same* LSP
- Designated router election priority, which allows you to reduce the number of adjacencies required on a multiaccess network, which in turn reduces the amount of routing protocol traffic and the size of the topology database.
- The interface circuit type, which is the type of adjacency desired for neighbors on the specified interface
- Password authentication for the interface

Beginning in privileged EXEC mode, follow these steps to configure IS-IS interface parameters:

	Command	Purpose
Step 1	<b>configure terminal</b>	Enter global configuration mode.
Step 2	<b>interface</b> <i>interface-id</i>	Specify the interface to be configured and enter interface configuration mode. If the interface is not already configured as a Layer 3 interface, enter the <b>no switchport</b> command to put it into Layer 3 mode.
Step 3	<b>no shutdown</b>	Enable the interface if necessary. By default, UNIs and ENIs are disabled and NNIs are enabled.
Step 4	<b>isis metric</b> <i>default-metric</i> [ <b>level-1</b>   <b>level-2</b> ]	(Optional) Configure the metric (or cost) for the specified interface. The range is from 0 to 63. The default is 10. If no level is entered, the default is to apply to both Level 1 and Level 2 routers.
Step 5	<b>isis hello-interval</b> { <i>seconds</i>   <b>minimal</b> } [ <b>level-1</b>   <b>level-2</b> ]	(Optional) Specify the length of time between hello packets sent by the switch. By default, a value three times the hello interval <i>seconds</i> is advertised as the <i>holdtime</i> in the hello packets sent. With smaller hello intervals, topological changes are detected faster, but there is more routing traffic. <ul style="list-style-type: none"> <li>• <b>minimal</b>—causes the system to compute the hello interval based on the hello multiplier so that the resulting hold time is 1 second.</li> <li>• <i>seconds</i>—the range is from 1 to 65535. The default is 10 seconds.</li> </ul>
Step 6	<b>isis hello-multiplier</b> <i>multiplier</i> [ <b>level-1</b>   <b>level-2</b> ]	(Optional) Specify the number of IS-IS hello packets a neighbor must miss before the router should declare the adjacency as down. The range is from 3 to 1000. The default is 3. Using a smaller hello-multiplier causes fast convergence, but can result in more routing instability.
Step 7	<b>isis csnp-interval</b> <i>seconds</i> [ <b>level-1</b>   <b>level-2</b> ]	(Optional) Configure the IS-IS complete sequence number PDU (CSNP) interval for the interface. The range is from 0 to 65535. The default is 10 seconds.
Step 8	<b>isis retransmit-interval</b> <i>seconds</i>	(Optional) Configure the number of seconds between retransmission of IS-IS LSPs for point-to-point links. The value you specify should be an integer greater than the expected round-trip delay between any two routers on the network. The range is from 0 to 65535. The default is 5 seconds.
Step 9	<b>isis retransmit-throttle-interval</b> <i>milliseconds</i>	(Optional) Configure the IS-IS LSP retransmission throttle interval, which is the maximum rate (number of milliseconds between packets) at which IS-IS LSPs will be re-sent on point-to-point links. The range is from 0 to 65535. The default is determined by the <b>isis lsp-interval</b> command.
Step 10	<b>isis priority</b> <i>value</i> [ <b>level-1</b>   <b>level-2</b> ]	(Optional) Configure the priority to use for designated router election. The range is from 0 to 127. The default is 64.

	Command	Purpose
Step 11	<b>isis circuit-type</b> { <b>level-1</b>   <b>level-1-2</b>   <b>level-2-only</b> }	(Optional) Configure the type of adjacency desired for neighbors on the specified interface (specify the interface circuit type). <ul style="list-style-type: none"> <li>• <b>level-1</b>—a Level 1 adjacency is established if there is at least one area address common to both this node and its neighbors.</li> <li>• <b>level-1-2</b>—a Level 1 and 2 adjacency is established if the neighbor is also configured as both Level 1 and Level 2 and there is at least one area in common. If there is no area in common, a Level 2 adjacency is established. This is the default.</li> <li>• <b>level 2</b>—a Level 2 adjacency is established. If the neighbor router is a Level 1 router, no adjacency is established.</li> </ul>
Step 12	<b>isis password</b> <i>password</i> [ <b>level-1</b>   <b>level-2</b> ]	(Optional) Configure the authentication password for an interface. By default, authentication is disabled. Specifying Level 1 or Level 2 enables the password only for Level 1 or Level 2 routing, respectively. If you do not specify a level, the default is Level 1 and Level 2.
Step 13	<b>end</b>	Return to privileged EXEC mode.
Step 14	<b>show clns interface</b> <i>interface-id</i>	Verify your entries.
Step 15	<b>copy running-config startup-config</b>	(Optional) Save your entries in the configuration file.

To return to the default settings, use the **no** forms of the commands.

## Monitoring and Maintaining IS-IS

You can remove all contents of a CLNS cache or remove information for a particular neighbor or route. You can display specific CLNS or IS-IS statistics, such as the contents of routing tables, caches, and databases. You can also display information about specific interfaces, filters, or neighbors.

Table 36-13 lists the privileged EXEC commands for clearing and displaying ISO CLNS and IS-IS routing. For explanations of the display fields, see the *Cisco IOS Apollo Domain, Banyan VINES, DECnet, ISO CLNS and XNS Command Reference, Release 12.2*, use the Cisco IOS command reference master index, or search online.

**Table 36-13** ISO CLNS and IS-IS Clear and Show Commands

Command	Purpose
<b>clear clns cache</b>	Clear and reinitialize the CLNS routing cache.
<b>clear clns es-neighbors</b>	Remove end system (ES) neighbor information from the adjacency database.
<b>clear clns is-neighbors</b>	Remove intermediate system (IS) neighbor information from the adjacency database.
<b>clear clns neighbors</b>	Remove CLNS neighbor information from the adjacency database.
<b>clear clns route</b>	Remove dynamically derived CLNS routing information.
<b>show clns</b>	Display information about the CLNS network.
<b>show clns cache</b>	Display the entries in the CLNS routing cache.
<b>show clns es-neighbors</b>	Display ES neighbor entries, including the associated areas.
<b>show clns filter-expr</b>	Display filter expressions.

Table 36-13 ISO CLNS and IS-IS Clear and Show Commands (continued)

Command	Purpose
<b>show clns filter-set</b>	Display filter sets.
<b>show clns interface</b> [ <i>interface-id</i> ]	Display the CLNS-specific or ES-IS information about each interface.
<b>show clns neighbor</b>	Display information about IS-IS neighbors.
<b>show clns protocol</b>	List the protocol-specific information for each IS-IS or ISO IGRP routing process in this router.
<b>show clns route</b>	Display all the destinations to which this router knows how to route CLNS packets.
<b>show clns traffic</b>	Display information about the CLNS packets this router has seen.
<b>show ip route isis</b>	Display the current state of the ISIS IP routing table.
<b>show isis database</b>	Display the IS-IS link-state database.
<b>show isis routes</b>	Display the IS-IS Level 1 routing table.
<b>show isis spf-log</b>	Display a history of the shortest path first (SPF) calculations for IS-IS.
<b>show isis topology</b>	Display a list of all connected routers in all areas.
<b>show route-map</b>	Display all route maps configured or only the one specified.
<b>trace clns destination</b>	Discover the paths taken to a specified destination by packets in the network.
<b>which-route</b> { <i>nsap-address</i>   <i>clns-name</i> }	Display the routing table in which the specified CLNS destination is found.

## Configuring BFD

The Bidirectional Forwarding Detection (BFD) Protocol quickly detects forwarding-path failures for a variety of media types, encapsulations, topologies, and routing protocols. It operates in a unicast, point-to-point mode on top of any data protocol being forwarded between two systems to track IPv4 connectivity between directly connected neighbors. BFD packets are encapsulated in UDP packets with a destination port number of 3784 or 3785.

In EIGRP, IS-IS, and OSPF deployments, the closest alternative to BFD is the use of modified failure-detection mechanisms. Although reducing the EIGRP, IS-IS, and OSPF timers can result in a failure-detection rate of 1 to 2 seconds, BFD can provide failure detection in less than 1 second. BFD can be less CPU-intensive than the reduced timers and, because it is not tied to any particular routing protocol, it can be used as a generic and consistent failure detection mechanism for multiple routing protocols.

To create a BFD session, you must configure BFD on both systems (BFD peers). Enabling BFD at the interface and routing protocol level on BFD peers creates a BFD session. BFD timers are negotiated and the BFD peers send control packets to each other at the negotiated intervals. If the neighbor is not directly connected, BFD neighbor registration is rejected.

Figure 36-6 shows a simple network with two routers running OSPF and BFD. When OSPF discovers a neighbor (1), it sends a request to the BFD process to initiate a BFD neighbor session with the neighbor OSPF router (2), establishing the BFD neighbor session (3).



Figure 36-6 Establishing a BFD Session

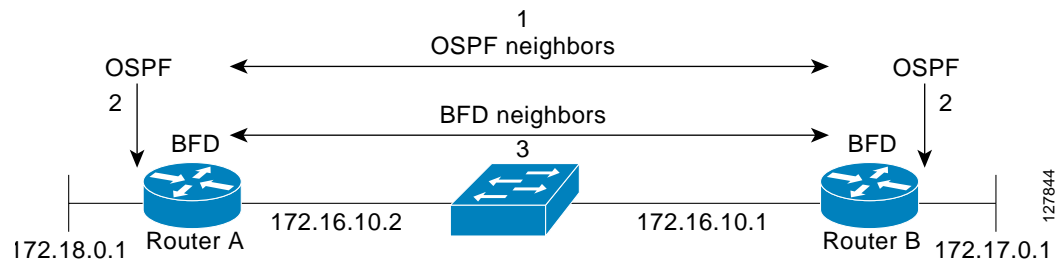
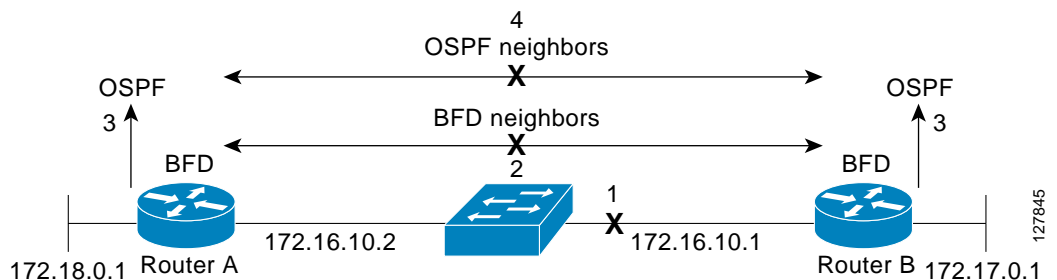


Figure 36-7 shows what happens when a failure occurs in the network (1). The BFD neighbor session with the OSPF neighbor closes (2). BFD notifies the OSPF process that the BFD neighbor is no longer reachable, and the OSPF process breaks the OSPF neighbor relationship (4). If an alternative path is available, the routers start converging on it.

Figure 36-7 Breaking an OSPF Neighbor Relationship



BFD clients are routing protocols that register neighbors with BFD. The switch supports ISIS, OSPF v1 and v2, BGP, EIGRP, and HSRP clients. You can use one BFD session for multiple client protocols. For example, if a network is running OSPF and EIGRP across the same link to the same peer, you need to create only one BFD session, and information is shared with both routing protocols.

The switch supports BFD version 0 and version 1. BFD neighbors automatically negotiate the version and the protocol always runs at the higher version. The default version is version 1.

By default, BFD neighbors exchange both control packets and echo packets for detecting forwarding failures. The switch sends echo packets at the configured BFD interval rate (from 50 to 999 ms on ports or from 600 to 999 ms on switch virtual interfaces), and control packets at the BFD slow-timer rate (from 1000 to 3000 ms).

Failure-rate detection can be faster in BFD echo mode, which is enabled by default when you configure BFD session. In this mode, the switch sends echo packets from the BFD software layer, and the BFD neighbor responds to the echo packets through its fast-switching layer. The echo packets do not reach the BFD neighbor software layer, but are reflected back over the forwarding path for failure detection. You configure the rate at which each BFD interface sends BFD echo packets by entering the **bfd interval** interface configuration command.

To reduce bandwidth consumption, you can disable the sending of echo packets by entering the **no bfd echo** interface configuration command. When BFD echo is disabled at one end of a link, the other end of the link also does not send echo packets and does not reflect back the echo packet. Control packets are used to detect forwarding failures. When BFD echo is disabled, the BFD slow-timer configuration does not apply. In a BFD session running in asynchronous mode, BFD packets are exchanged at a negotiated duration when the session is up and at the BFD slow-timer value when the session is down.

To run BFD on a switch, you need to configure basic BFD interval parameters on BFD interfaces, enable routing on the switch, and enable one or more one routing protocol clients for BFD. You also need to confirm that Cisco Express Forwarding (CEF) is enabled (the default) on participating switches.

For more detailed configuration, see the Bidirectional Forwarding Detection feature module at this URL:

[http://www.cisco.com/en/US/docs/ios/12\\_0s/feature/guide/fs\\_bfd.html](http://www.cisco.com/en/US/docs/ios/12_0s/feature/guide/fs_bfd.html)

For details on the commands, use the Master Index to the Cisco IOS Command List for Release 12.4. at this URL:

[http://www.cisco.com/en/US/docs/ios/mcl/allreleasemcl/all\\_book.html](http://www.cisco.com/en/US/docs/ios/mcl/allreleasemcl/all_book.html)

These sections describe configuring BFD:

- [Default BFD Configuration, page 36-74](#)
- [BFD Configuration Guidelines, page 36-74](#)
- [Configuring BFD Session Parameters on an Interface, page 36-75](#)
- [Enabling BFD Routing Protocol Clients, page 36-76](#)

## Default BFD Configuration

No BFD sessions are configured. BFD is disabled on all interfaces.

When configured, BFD version 1 is the default, but switches negotiate for version. Version 0 is also supported.

Standby BFD (for HSRP) is enabled by default.

Asynchronous BFD echo mode is enabled when a BFD session is configured.

## BFD Configuration Guidelines

- To run BFD on a switch:
  - Configure basic BFD interval parameters on each interface over which you want to run BFD sessions.
  - Enable routing on the switch. You can configure BFD without enabling routing, but BFD sessions do not become active unless routing is enabled on the switch and on the BFD interfaces.
  - Enable one or more one routing protocol clients for BFD. You should implement fast convergence for the routing protocol that you are using. See the IP routing documentation in this chapter or in the *Cisco IOS IP Configuration Guide, Release 12.2*, for information on configuring fast convergence.



### Note

We recommend that you configure the BFD interval parameters on an interface before configuring the routing protocol commands, especially when using EIGRP.

- Confirm that CEF is enabled on participating switches (the default) as well as IP routing.
- BFD is supported on physical interfaces that are configured as routing interfaces. Starting with Cisco IOS release 12.2(55)SE, BFD is also supported on SVIs. As with physical interfaces, BFD sessions do not operate on an SVI until you put the SVI into Layer 3 mode by assigning it an IP address and enable routing on the switch.



**Note** Entering the **bfd all-interfaces global configuration command** to enable BFD on all interfaces associated with a routing protocol enables BFD on all physical interfaces and SVIs associated with that routing protocol.

- The switch supports up to 28 BFD sessions at one time.
  - On BFD-enabled ports, the switch supports a minimum hello interval of 50 ms with a multiplier of 3. The multiplier specifies the minimum number of consecutive packets that can be missed before a session is declared down.
  - On BFD-enabled SVIs, the minimum hello interval is 600 ms with a multiplier of 3 or higher.
- BFD is not supported on Layer 2 interfaces, pseudowires, static routes, or port channels.
- Although you can configure BFD interface commands on a Layer 2 port, BFD sessions do not operate on the interface unless it is configured as a Layer 3 interface (no switchport) and assigned an IP address.
- In HSRP BFD, standby BFD is enabled globally by default and on all interfaces. If you disable it on an interface, you then must disable and reenabling it globally for BFD sessions to be active.
- When using BFD echo mode (the default), you should disable sending of ICMP redirect messages by entering the **no ip redirects** interface configuration command on the BFD interface.

## Configuring BFD Session Parameters on an Interface

Before you can start a BFD session on an interface, you must put the interface into Layer 3 mode and set the baseline BFD parameters on it.



**Note** Although you can configure BFD on Layer 2 interfaces, a BFD session cannot start until both interfaces are in Layer 3 mode and routing is enabled on the switch.

Beginning in privileged EXEC mode, follow these steps to configure BFD parameters on any interface participating in a BFD session:

	Command	Purpose
Step 1	<b>configure terminal</b>	Enter global configuration mode.
Step 2	<b>interface</b> <i>interface-id</i>	Specify an interface for a BFD session, and enter interface configuration mode. Physical interfaces and SVIs support BFD.
Step 3	<b>no shutdown</b>	Enable the interface if necessary. User network interfaces (UNIs) and enhanced network interfaces (ENIs) are disabled by default; network node interfaces (NNIs) are enabled by default.
Step 4	<b>no switchport</b>	Remove the interface from Layer 2 configuration mode (physical interfaces only).
Step 5	<b>ip address</b> <i>ip-address subnet-mask</i>	Configure the IP address and IP subnet mask.

	Command	Purpose
Step 6	<b>bfd interval</b> <i>milliseconds</i> <b>min_rx</b> <i>milliseconds</i> <b>multiplier</b> <i>value</i>	<p>Set BFD parameters for echo packets on the interface.</p> <ul style="list-style-type: none"> <li>• <b>interval</b>—Specify the rate at which BFD echo packets are sent to BFD peers. The range is from 50 to 999 milliseconds (ms) on physical interfaces and from 600 to 999 ms on SVIs.</li> <li>• <b>min_rx</b>—Specify the rate at which BFD echo packets are expected to be received from BFD peers. The range is from 50 to 999 ms on physical interfaces and from 600 to 999 ms on SVIs.</li> <li>• <b>multiplier</b>—Specify the number of consecutive BFD echo packets that must be missed from a BFD peer before BFD declares that it is unavailable and informs the other BFD peer of the failure. The range is from 3 to 50.</li> </ul> <p><b>Note</b> There are no baseline BFD parameter defaults.</p>
Step 7	<b>end</b>	Return to privileged EXEC mode.
Step 8	<b>show running-config</b>	Verify your entries.
Step 9	<b>show bfd neighbor detail</b>	(Optional) Display the final configured or negotiated values when the session is created with a neighbor.
Step 10	<b>copy running-config startup-config</b>	(Optional) Save your entries in the configuration file.

To remove the BFD parameter configuration, enter the **no bfd interval** interface configuration command.

## Enabling BFD Routing Protocol Clients

After you configure BFD parameters on an interface, you can start a BFD session for one or more routing protocols. You must first enable routing by entering the **ip routing** global configuration command on the switch. Note that there can be more than one way to start a BFD session on an interface, depending on the routing protocol.

- [Configuring BFD for OSPF, page 36-76](#)
- [Configuring BFD for IS-IS, page 36-78](#)
- [Configuring BFD for BGP, page 36-79](#)
- [Configuring BFD for EIGRP, page 36-80](#)
- [Configuring BFD for HSRP, page 36-80](#)
- [Disabling BFD Echo Mode, page 36-81](#)

## Configuring BFD for OSPF

When you start BFD sessions for OSPF, OSPF must be running on all participating devices. You can enable BFD support for OSPF by enabling it globally on all OSPF interfaces or by enabling it on one or more interfaces.

## Configuring BFD for OSPF Globally

Beginning in privileged EXEC mode, follow these steps to configure OSPF BFD globally, and to optionally disable it on specific interfaces:

	Command	Purpose
Step 1	<b>configure terminal</b>	Enter global configuration mode.
Step 2	<b>router ospf</b> <i>process-id</i>	Specify an OSPF process, and enter router configuration mode.
Step 3	<b>bfd all-interfaces</b>	Enable BFD globally on all interfaces associated with the OSPF routing process.
Step 4	<b>exit</b>	(Optional) Return to global configuration mode if you want to disable BFD on one or more OSPF interfaces.
Step 5	<b>interface</b> <i>interface-id</i>	(Optional) Specify an interface, and enter interface configuration mode.
Step 6	<b>ip ospf bfd disable</b>	(Optional) Disable BFD on the specified OSPF interface. Repeat Steps 5 and 6 for all OSPF interfaces on which you do not want to run BFD sessions.
Step 7	<b>end</b>	Return to privileged EXEC mode.
Step 8	<b>show bfd neighbors [detail]</b>	Verify the configuration.
Step 9	<b>copy running-config startup-config</b>	(Optional) Save your entries in the configuration file.

To disable OSPF BFD on all interfaces, enter the **no bfd all-interfaces** router configuration command. To disable it on an interface, enter the **no ip ospf bfd** or the **ip ospf bfd disable** interface configuration command on the interface.

If you want to run OSPF BFD on only one or a few interfaces, you can enter the **ip ospf bfd** interface configuration command on those interfaces instead of enabling it globally. See the next procedure.



### Note

If you try to configure OSPF BFD on a Layer 2 interface, the configuration is not recognized.

This is an example of configuring BFD for OSPF on all OSPF interfaces:

```
Switch(config)# router ospf 109
Switch(config-router)# bfd all-interfaces
Switch(config-router)# exit
```

## Configuring BFD for OSPF on an Interface

Beginning in privileged EXEC mode, follow these steps to configure OSPF BFD on an individual interface:

	Command	Purpose
Step 1	<b>configure terminal</b>	Enter global configuration mode.
Step 2	<b>router ospf</b> <i>process-id</i>	Specify an OSPF process, and enter router configuration mode.
Step 3	<b>exit</b>	Return to global configuration mode.
Step 4	<b>interface</b> <i>interface-id</i>	Specify an interface, and enter interface configuration mode.

	Command	Purpose
Step 5	<b>ip ospf bfd</b>	Enable BFD on the specified OSPF interface. Repeat Steps 3 and 4 for all OSPF interfaces on which you want to run BFD sessions.
Step 6	<b>end</b>	Return to privileged EXEC mode.
Step 7	<b>show bfd neighbors [detail]</b>	Verify the configuration.
Step 8	<b>copy running-config startup-config</b>	(Optional) Save your entries in the configuration file.

To disable OSPF BFD on an interface, enter the **no ip ospf bfd** or the **ip ospf bfd disable** interface configuration command on the interface.

This is an example of configuring BFD for OSPF on a single interface:

```
Switch(config)# router ospf 109
Switch(config-router)# exit
Switch(config)# interface gigabitethernet0/1
Switch(config-if)# ip ospf bfd
```

## Configuring BFD for IS-IS

When you start BFD sessions for IS-IS, IS-IS must be running on all devices participating in BFD. You can enable BFD support for IS-IS by enabling it globally on all IS-IS interfaces or by enabling it on one or more interfaces.

### Configuring BFD for IS-IS Globally

Beginning in privileged EXEC mode, follow these steps to configure IS-IS BFD globally, and to optionally disable it on specific interfaces:

	Command	Purpose
Step 1	<b>configure terminal</b>	Enter global configuration mode.
Step 2	<b>router is-is area-tag</b>	Specify an IS-IS process and enter router configuration mode.
Step 3	<b>bfd all-interfaces</b>	Enable BFD globally on all interfaces associated with the IS-IS routing process.
Step 4	<b>exit</b>	(Optional) Return to global configuration mode if you want to disable BFD on one or more IS-IS interfaces.
Step 5	<b>interface interface-id</b>	(Optional) Specify an interface and enter interface configuration mode.
Step 6	<b>ip router isis</b>	(Optional) Enable IPv4 IS-IS routing on the interface.
Step 7	<b>isis bfd disable</b>	(Optional) Disable BFD on the IS-IS interface. Repeat Steps 5 through 7 for all IS-IS interfaces on which you do not want to run BFD sessions.
Step 8	<b>end</b>	Return to privileged EXEC mode.
Step 9	<b>show bfd neighbors [detail]</b>	Verify the configuration.
Step 10	<b>copy running-config startup-config</b>	(Optional) Save your entries in the configuration file.

To disable IS-IS BFD on all interfaces, enter the **no bfd all-interfaces** router configuration command. To disable it on the specified interface, enter the **no isis bfd** or the **isis bfd disable** interface configuration command on the interface.

If you only want to run IS-IS BFD on a few interfaces, instead of enabling it globally, you can enter the **isis bfd** interface configuration command on those interfaces. See the next procedure.

**Note**

Although IS-IS BFD operates only on Layer 3 interfaces, you can configure it on interfaces in Layer 2 or Layer 3 mode. When you enable it, you see this message:

```
%ISIS BFD is reverting to router mode configuration, and remains disabled.
```

This is an example of setting fast convergence and configuring BFD for IS-IS on all IS-IS interfaces:

```
Switch(config)# router is-is tag1
Switch(config-router)# bfd all-interfaces
Switch(config-router)# exit
```

## Configuring BFD for IS-IS on an Interface

Beginning in privileged EXEC mode, follow these steps to configure IS-IS BFD on an individual interface:

	Command	Purpose
Step 1	<b>configure terminal</b>	Enter global configuration mode.
Step 2	<b>router is-is</b> <i>area-tag</i>	Specify an IS-IS process and enter router configuration mode.
Step 3	<b>exit</b>	Return to global configuration mode.
Step 4	<b>interface</b> <i>interface-id</i>	Specify an interface, and enter interface configuration mode.
Step 5	<b>isis bfd</b>	Enable BFD on the specified IS-IS interface. Repeat Steps 3 and 4 for all IS-IS interfaces on which you want to run BFD sessions.
Step 6	<b>end</b>	Return to privileged EXEC mode.
Step 7	<b>show bfd neighbors</b> [detail]	Verify the configuration.
Step 8	<b>copy running-config startup-config</b>	(Optional) Save your entries in the configuration file.

To disable IS-IS BFD on an interface, enter the **no isis bfd** or the **isis bfd disable** interface configuration command on the interface.

This is an example of configuring BFD for IS-IS on a single interface:

```
Switch(config)# router is-is tag1
Switch(config-router)# exit
Switch(config)# interface gigabitethernet0/1
Switch(config-if)# isis bfd
```

## Configuring BFD for BGP

When you start BFD sessions for BGP, BGP must be running on all participating devices. You enter the IP address of the BFD neighbor to enable BFD for BGP.

Beginning in privileged EXEC mode, follow these steps to enable BGP BFD:

	Command	Purpose
Step 1	<b>configure terminal</b>	Enter global configuration mode.
Step 2	<b>router bgp</b> <i>as-tag</i>	Specify a BGP autonomous system, and enter router configuration mode.

	Command	Purpose
Step 3	<b>neighbor <i>ip-address</i> fall-over bfd</b>	Enable BFD support for fallover on the BFD neighbor.
Step 4	<b>end</b>	Return to privileged EXEC mode.
Step 5	<b>show bfd neighbors [detail]</b> > <b>show ip bgp neighbor</b>	Verify the configuration. Display information about BGP connections to neighbors.
Step 6	<b>copy running-config startup-config</b>	(Optional) Save your entries in the configuration file.

To disable BGP BFD, enter the **no neighbor *ip-address* fall-over bfd** router configuration command.

## Configuring BFD for EIGRP

When you start BFD sessions for EIGRP, EIGRP must be running on all participating devices. You can enable BFD support for EIGRP by globally enabling it on all EIGRP interfaces or by enabling it on one or more interfaces.

Beginning in privileged EXEC mode, follow these steps follow these to configure EIGRP BFD:

	Command	Purpose
Step 1	<b>configure terminal</b>	Enter global configuration mode.
Step 2	<b>router eigrp <i>as-number</i></b>	Specify an EIGRP autonomous system number, and enter router configuration mode.
Step 3	<b>log-adjacency changes [detail]</b>	Configure the switch to send a system logging message when an EIGRP neighbor goes up or down.
Step 4	<b>bfd {all-interfaces   interface <i>interface-id</i>}</b>	Enable BFD for EIGRP. <ul style="list-style-type: none"> <li>Enter <b>all-interfaces</b> to globally enable BFD on all interfaces associated with the EIGRP routing process</li> <li>Enter <b>interface <i>interface-id</i></b> to enable BFD on a per-interface basis for one or more interfaces associated with the EIGRP routing process.</li> </ul>
Step 5	<b>end</b>	Return to privileged EXEC mode.
Step 6	<b>show bfd neighbors [detail]</b>	Verify the configuration.
Step 7	<b>copy running-config startup-config</b>	(Optional) Save your entries in the configuration file.

To disable EIGRP BFD on all interfaces, enter the **no bfd all-interfaces** router configuration command. To disable it on an interface, enter the **no bfd interface *interface-id*** router configuration command.

## Configuring BFD for HSRP

HSRP supports BFD by default; it is globally enabled on all interfaces. If HSRP support has been manually disabled, you can reenble it in interface or global configuration mode. All participating devices must have HSRP enabled and CEF enabled (the default).



Beginning in privileged EXEC mode, follow these steps to reenable HSRP BFD:

	Command	Purpose
Step 1	<b>configure terminal</b>	Enter global configuration mode.
Step 2	<b>interface</b> <i>interface-id</i>	Specify an interface for a BFD session, and enter interface configuration mode. Only physical interfaces support BFD.
Step 3	<b>ip address</b> <i>ip-address subnet-mask</i>	Configure the IP address and IP subnet mask for the interface.
Step 4	<b>standby</b> [ <i>group-number</i> ] <b>ip</b> [ <i>ip-address</i> ] [ <b>secondary</b> ]	Activate HSRP.
Step 5	<b>standby bfd</b>	(Optional) Enable HSRP support for BFD on the interface.
Step 6	<b>exit</b>	Return to global configuration mode.
Step 7	<b>standby bfd all-interfaces</b>	(Optional) Enable HSRP support for BFD on all interfaces.
Step 8	<b>end</b>	Return to privileged EXEC mode.
Step 9	<b>show standby neighbors</b>	Verify your entries.
Step 10	<b>copy running-config startup-config</b>	(Optional) Save your entries in the configuration file.

To disable HSRP support for BFD on all interfaces, enter the **no standby bfd all-interfaces** global configuration command. To disable it on an interface, enter the **no standby bfd** interface configuration command.



#### Note

If you disable standby BFD on an interface by entering the **no standby bfd** interface configuration command, to activate BFD sessions on other interfaces, you must disable and reenable it globally by entering the **no standby bfd all-interfaces** global configuration command followed by the **standby bfd all-interfaces** global configuration command.

## Disabling BFD Echo Mode

When you configure a BFD session, BFD echo mode is enabled by default on BFD interfaces. You can disable echo mode on an interface. When BFD echo is disabled at one end of a link, the other end of the link also does not send echo packets and does not reflect back the echo packet. Control packets are used to detect forwarding failures. When BFD echo is disabled, the BFD slow-timer configuration does not apply. In a BFD session running in asynchronous mode, BFD packets are exchanged at a negotiated duration when the session is up and at the BFD slow-timer value when the session is down.

Beginning in privileged EXEC mode, follow these steps to disable echo mode on a BFD interface:

	Command	Purpose
Step 1	<b>configure terminal</b>	Enter global configuration mode.
Step 2	<b>interface</b> <i>interface-id</i>	Enter a BFD interface and enter interface configuration mode.
Step 3	<b>no bfd echo</b>	Disable BFD echo mode on the interface. It is enabled by default, but can be disabled independently on BFD neighbors.
Step 4	<b>exit</b>	Return to global configuration mode.
Step 5	<b>end</b>	Return to privileged EXEC mode.

	Command	Purpose
Step 6	<b>show bfd neighbors detail</b>	Verify your entries.
Step 7	<b>copy running-config startup-config</b>	(Optional) Save your entries in the configuration file.

To reenable echo mode on the interface, enter the **bfd echo** interface configuration command. To reenable echo mode on the switch, enter the **bfd echo** global configuration command.

## Configuring Multi-VRF CE

Virtual Private Networks (VPNs) provide a secure way for customers to share bandwidth over an ISP backbone network. A VPN is a collection of sites sharing a common routing table. A customer site is connected to the service-provider network by one or more interfaces, and the service provider associates each interface with a VPN routing table, called a VPN routing/forwarding (VRF) table.

The switch supports multiple VPN routing/forwarding (multi-VRF) instances in customer edge (CE) devices (multi-VRF CE). With Multi-VRF CE, a service provider can support two or more VPNs with overlapping IP addresses.



### Note

The switch does not use Multiprotocol Label Switching (MPLS) to support VPNs. For information about MPLS VRF, refer to the *Cisco IOS Switching Services Configuration Guide, Release 12.2*.

- [Understanding Multi-VRF CE, page 36-82](#)
- [Default Multi-VRF CE Configuration, page 36-84](#)
- [Multi-VRF CE Configuration Guidelines, page 36-85](#)
- [Configuring VRFs, page 36-85](#)
- [Configuring VRF-Aware Services, page 36-86](#)
- [Configuring a VPN Routing Session, page 36-90](#)
- [Configuring BGP PE to CE Routing Sessions, page 36-90](#)
- [Multi-VRF CE Configuration Example, page 36-91](#)
- [Displaying Multi-VRF CE Status, page 36-95](#)

## Understanding Multi-VRF CE

Multi-VRF CE allows a service provider to support two or more VPNs, where IP addresses can be overlapped among the VPNs. Multi-VRF CE uses input interfaces to distinguish routes for different VPNs and forms virtual packet-forwarding tables by associating one or more Layer 3 interfaces with each VRF. Interfaces in a VRF can be either physical, such as Ethernet ports, or logical, such as VLAN SVIs, but an interface cannot belong to more than one VRF at any time.



### Note

Multi-VRF CE interfaces must be Layer 3 interfaces.

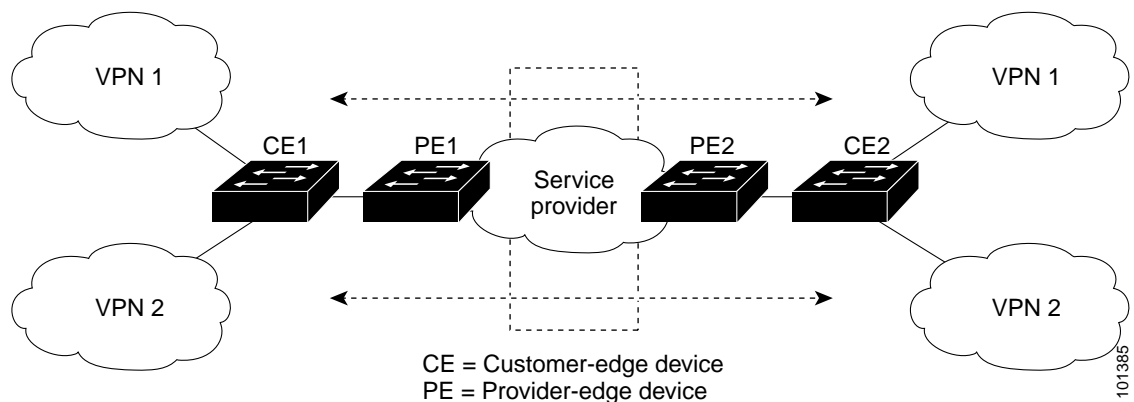
Multi-VRF CE includes these devices:

- Customer edge (CE) devices provide customers access to the service-provider network over a data link to one or more provider edge routers. The CE device advertises the site local routes to the router and learns the remote VPN routes from it. The Cisco ME 3400 switch can be a CE.
- Provider edge (PE) routers exchange routing information with CE devices by using static routing or a routing protocol such as BGP, RIPv2, OSPF, or EIGRP. The PE is only required to maintain VPN routes for those VPNs to which it is directly attached, eliminating the need for the PE to maintain all of the service-provider VPN routes. Each PE router maintains a VRF for each of its directly connected sites. Multiple interfaces on a PE router can be associated with a single VRF if all of these sites participate in the same VPN. Each VPN is mapped to a specified VRF. After learning local VPN routes from CEs, a PE router exchanges VPN routing information with other PE routers by using internal BGP (IBPG).
- Provider routers or core routers are any routers in the service provider network that do not attach to CE devices.

With multi-VRF CE, multiple customers can share one CE, and only one physical link is used between the CE and the PE. The shared CE maintains separate VRF tables for each customer and switches or routes packets for each customer based on its own routing table. Multi-VRF CE extends limited PE functionality to a CE device, giving it the ability to maintain separate VRF tables to extend the privacy and security of a VPN to the branch office.

Figure 36-8 shows a configuration using Cisco ME switches as multiple virtual CEs. This scenario is suited for customers who have low bandwidth requirements for their VPN service, for example, small companies. In this case, multi-VRF CE support is required in the Cisco ME switches. Because multi-VRF CE is a Layer 3 feature, each interface in a VRF must be a Layer 3 interface.

**Figure 36-8** Switches Acting as Multiple Virtual CEs



When the CE switch receives a command to add a Layer 3 interface to a VRF, it sets up the appropriate mapping between the VLAN ID and the policy label (PL) in multi-VRF-CE-related data structures and adds the VLAN ID and PL to the VLAN database.

When multi-VRF CE is configured, the Layer 3 forwarding table is conceptually partitioned into two sections:

- The multi-VRF CE routing section contains the routes from different VPNs.
- The global routing section contains routes to non-VPN networks, such as the Internet.

VLAN IDs from different VRFs are mapped into different policy labels, which are used to distinguish the VRFs during processing. If no route is found in the multi-VRF CE section of the Layer 3 forwarding table, the global routing section is used to determine the forwarding path. For each new VPN route learned, the Layer 3 setup function retrieves the policy label by using the VLAN ID of the ingress port and inserts the policy label and new route to the multi-VRF CE routing section. If the packet is received from a routed port, the port internal VLAN ID number is used; if the packet is received from an SVI, the VLAN number is used.

This is the packet-forwarding process in a multi-VRF-CE-enabled network:

- When the switch receives a packet from a VPN, the switch looks up the routing table based on the input policy label number. When a route is found, the switch forwards the packet to the PE.
- When the ingress PE receives a packet from the CE, it performs a VRF lookup. When a route is found, the router adds a corresponding MPLS label to the packet and sends it to the MPLS network.
- When an egress PE receives a packet from the network, it strips the label and uses the label to identify the correct VPN routing table. Then it performs the normal route lookup. When a route is found, it forwards the packet to the correct adjacency.
- When a CE receives a packet from an egress PE, it uses the input policy label to look up the correct VPN routing table. If a route is found, it forwards the packet within the VPN.

To configure VRF, you create a VRF table and specify the Layer 3 interface associated with the VRF. Then configure the routing protocols in the VPN and between the CE and the PE. BGP is the preferred routing protocol used to distribute VPN routing information across the provider's backbone. The multi-VRF CE network has three major components:

- VPN route target communities—lists of all other members of a VPN community. You need to configure VPN route targets for each VPN community member.
- Multiprotocol BGP peering of VPN community PE routers—propagates VRF reachability information to all members of a VPN community. You need to configure BGP peering in all PE routers within a VPN community.
- VPN forwarding—transports all traffic between all VPN community members across a VPN service-provider network.

## Default Multi-VRF CE Configuration

Table 36-14 shows the default VRF configuration.

**Table 36-14** Default VRF Configuration

Feature	Default Setting
VRF	Disabled. No VRFs are defined.
Maps	No import maps, export maps, or route maps are defined.
VRF maximum routes	5000
Forwarding table	The default for an interface is the global routing table.

## Multi-VRF CE Configuration Guidelines

These are considerations when configuring VRF in your network:

- A switch with multi-VRF CE is shared by multiple customers, and each customer has its own routing table.
- Because customers use different VRF tables, the same IP addresses can be reused. Overlapped IP addresses are allowed in different VPNs.
- Multi-VRF CE lets multiple customers share the same physical link between the PE and the CE. Trunk ports with multiple VLANs separate packets among customers. Each customer has its own VLAN.
- Multi-VRF CE does not support all MPLS-VRF functionality. It does not support label exchange, LDP adjacency, or labeled packets.
- For the PE router, there is no difference between using multi-VRF CE or using multiple CEs. In [Figure 36-8](#), multiple virtual Layer 3 interfaces are connected to the multi-VRF CE device.
- The switch supports configuring VRF by using physical ports, VLAN SVIs, or a combination of both. The SVIs can be connected through an access port or a trunk port.
- A customer can use multiple VLANs as long as they do not overlap with those of other customers. A customer's VLANs are mapped to a specific routing table ID that is used to identify the appropriate routing tables stored on the switch.
- The switch supports one global network and up to 26 VRFs.
- Most routing protocols (BGP, OSPF, RIP, EIGRP, and static routing) can be used between the CE and the PE. However, we recommend using external BGP (EBGP) for these reasons:
  - BGP does not require multiple algorithms to communicate with multiple CEs.
  - BGP is designed for passing routing information between systems run by different administrations.
  - BGP makes it easy to pass attributes of the routes to the CE.
- Multi-VRF CE does not affect the packet switching rate.
- If no VRFs are configured, up to 105 policies can be configured.
- If even one VRF is configured then 41 policies can be configured.
- If more than 41 policies are configured then VRF cannot be configured.
- VRF and private VLANs are mutually-exclusive. You cannot enable VRF on a private VLAN. Similarly, you cannot enable private VLAN on a VLAN with VRF configured on the VLAN interface.
- VRF and policy-based routing (PBR) are mutually-exclusive on a switch interface. You cannot enable VRF when PBR is enabled on an interface. In contrast, you cannot enable PBR when VRF is enabled on an interface.

## Configuring VRFs

Beginning in privileged EXEC mode, follow these steps to configure one or more VRFs. For complete syntax and usage information for the commands, refer to the switch command reference for this release and the *Cisco IOS Switching Services Command Reference, Release 12.2*.

	Command	Purpose
Step 1	<b>configure terminal</b>	Enter global configuration mode.
Step 2	<b>ip routing</b>	Enable IP routing.
Step 3	<b>ip vrf</b> <i>vrf-name</i>	Name the VRF, and enter VRF configuration mode.
Step 4	<b>rd</b> <i>route-distinguisher</i>	Create a VRF table by specifying a route distinguisher. Enter either an AS number and an arbitrary number (xxx:y) or an IP address and arbitrary number (A.B.C.D:y)
Step 5	<b>route-target</b> { <b>export</b>   <b>import</b>   <b>both</b> } <i>route-target-ext-community</i>	Create a list of import, export, or import and export route target communities for the specified VRF. Enter either an AS system number and an arbitrary number (xxx:y) or an IP address and an arbitrary number (A.B.C.D:y). The <i>route-target-ext-community</i> should be the same as the <i>route-distinguisher</i> entered in Step 4.
Step 6	<b>import map</b> <i>route-map</i>	(Optional) Associate a route map with the VRF.
Step 7	<b>interface</b> <i>interface-id</i>	Specify the Layer 3 interface to be associated with the VRF, and enter interface configuration mode. The interface can be a routed port or SVI.
Step 8	<b>no shutdown</b>	Enable the interface if necessary. By default, UNIs and ENIs are disabled and NNIs are enabled.
Step 9	<b>ip vrf forwarding</b> <i>vrf-name</i>	Associate the VRF with the Layer 3 interface.
Step 10	<b>end</b>	Return to privileged EXEC mode.
Step 11	<b>show ip vrf</b> [ <b>brief</b>   <b>detail</b>   <b>interfaces</b> ] <i>[vrf-name]</i>	Verify the configuration. Display information about the configured VRFs.
Step 12	<b>copy running-config startup-config</b>	(Optional) Save your entries in the configuration file.

Use the **no ip vrf** *vrf-name* global configuration command to delete a VRF and to remove all interfaces from it. Use the **no ip vrf forwarding** interface configuration command to remove an interface from the VRF.

## Configuring VRF-Aware Services

IP services can be configured on global interfaces, and these services run within the global routing instance. IP services are enhanced to run on multiple routing instances; they are VRF-aware. Any configured VRF in the system can be specified for a VRF-aware service.

VRF-Aware services are implemented in platform-independent modules. VRF means multiple routing instances in Cisco IOS. Each platform has its own limit on the number of VRFs it supports.

VRF-aware services have the following characteristics:

- The user can ping a host in a user-specified VRF.
- ARP entries are learned in separate VRFs. The user can display Address Resolution Protocol (ARP) entries for specific VRFs.

These services are VRF-Aware:

- ARP
- Ping
- Simple Network Management Protocol (SNMP)

- Hot Standby Router Protocol (HSRP)
- Syslog
- Traceroute
- FTP and TFTP



Note

VRF-Aware services are not supported for Unicast Reverse Path Forwarding (uRPF).

## User Interface for ARP

Beginning in privileged EXEC mode, follow these steps to configure VRF-aware services for ARP. For complete syntax and usage information for the commands, refer to the switch command reference for this release and the *Cisco IOS Switching Services Command Reference, Release 12.2*.

Command	Purpose
<b>show ip arp vrf</b> <i>vrf-name</i>	Display the ARP table in the specified VRF.

## User Interface for PING

Beginning in privileged EXEC mode, follow these steps to configure VRF-aware services for ping. For complete syntax and usage information for the commands, refer to the switch command reference for this release and the *Cisco IOS Switching Services Command Reference, Release 12.2*.

Command	Purpose
<b>ping vrf</b> <i>vrf-name</i> <b>ip-host</b>	Display the ARP table in the specified VRF.

## User Interface for SNMP

Beginning in privileged EXEC mode, follow these steps to configure VRF-aware services for SNMP. For complete syntax and usage information for the commands, refer to the switch command reference for this release and the *Cisco IOS Switching Services Command Reference, Release 12.2*.

	Command	Purpose
Step 1	<b>configure terminal</b>	Enter global configuration mode.
Step 2	<b>snmp-server trap authentication vrf</b>	Enable SNMP traps for packets on a VRF.
Step 3	<b>snmp-server engineID remote</b> <i>&lt;host&gt;</i> <b>vrf</b> <i>&lt;vpn instance&gt;</i> <i>&lt;engine-id string&gt;</i>	Configure a name for the remote SNMP engine on a switch.
Step 4	<b>snmp-server host</b> <i>&lt;host&gt;</i> <b>vrf</b> <i>&lt;vpn instance&gt;</i> <b>traps</b> <i>&lt;community&gt;</i>	Specify the recipient of an SNMP trap operation and specify the VRF table to be used for sending SNMP traps.
Step 5	<b>snmp-server host</b> <i>&lt;host&gt;</i> <b>vrf</b> <i>&lt;vpn instance&gt;</i> <b>informs</b> <i>&lt;community&gt;</i>	Specify the recipient of an SNMP inform operation and specify the VRF table to be used for sending SNMP informs.

	Command	Purpose
Step 6	<b>snmp-server user</b> <user> <group> <b>remote</b> <host> <b>vrf</b> <vpn instance> <security model>	Add a user to an SNMP group for a remote host on a VRF for SNMP access.
Step 7	<b>end</b>	Return to privileged EXEC mode.

## User Interface for HSRP

HSRP support for VRFs ensures that HSRP virtual IP addresses are added to the correct IP routing table.

Beginning in privileged EXEC mode, follow these steps to configure VRF-aware services for HSRP. For complete syntax and usage information for the commands, refer to the switch command reference for this release and the *Cisco IOS Switching Services Command Reference, Release 12.2*.

	Command	Purpose
Step 1	<b>configure terminal</b>	Enter global configuration mode.
Step 2	<b>interface</b> <i>interface-id</i>	Enter interface configuration mode, and specify the Layer 3 interface to configure.
Step 3	<b>no switchport</b>	Remove the interface from Layer 2 configuration mode if it is a physical interface.
Step 4	<b>ip vrf forwarding</b> <vrf-name>	Configure VRF on the interface.
Step 5	<b>ip address</b> <i>ip address</i>	Enter the IP address for the interface.
Step 6	<b>standby 1 ip</b> <i>ip address</i>	Enable HSRP and configure the virtual IP address.
Step 7	<b>end</b>	Return to privileged EXEC mode.

## User Interface for Syslog

Beginning in privileged EXEC mode, follow these steps to configure VRF-aware services for Syslog. For complete syntax and usage information for the commands, refer to the switch command reference for this release and the *Cisco IOS Switching Services Command Reference, Release 12.2*.

	Command	Purpose
Step 1	<b>configure terminal</b>	Enter global configuration mode.
Step 2	<b>logging on</b>	Enable or temporarily disable logging of storage router event message.
Step 3	<b>logging host</b> <i>ip address vrf vrf name</i>	Specify the host address of the syslog server where logging messages are to be sent.
Step 4	<b>logging buffered</b> <i>logging buffered size</i> <b>debugging</b>	Log messages to an internal buffer.
Step 5	<b>logging trap debugging</b>	Limit the logging messages sent to the syslog server.
Step 6	<b>logging facility</b> <i>facility</i>	Send system logging messages to a logging facility.
Step 7	<b>end</b>	Return to privileged EXEC mode.



## User Interface for Traceroute

Beginning in privileged EXEC mode, follow these steps to configure VRF-aware services for traceroute. For complete syntax and usage information for the commands, refer to the switch command reference for this release and the *Cisco IOS Switching Services Command Reference, Release 12.2*.

Command	Purpose
<b>traceroute vrf</b> <i>vrf-name ipaddress</i>	Specify the name of a VPN VRF in which to find the destination address.

## User Interface for FTP and TFTP

So that FTP and TFTP are VRF-aware, you must configure some FTP/TFTP CLIs. For example, if you want to use a VRF table that is attached to an interface, say E1/0, you need to configure the CLI **ip [t]ftp source-interface E1/0** to inform [t]ftp to use a specific routing table. In this example, the VRF table is used to look up the destination IP address. These changes are backward-compatible and do not affect existing behavior. That is, you can use the source-interface CLI to send packets out a particular interface even if no VRF is configured on that interface.

To specify the source IP address for FTP connections, use the **ip ftp source-interface** show mode command. To use the address of the interface where the connection is made, use the **no** form of this command.

	Command	Purpose
Step 1	<b>configure terminal</b>	Enter global configuration mode.
Step 2	<b>ip ftp source-interface</b> <i>interface-type interface-number</i>	Specify the source IP address for FTP connections.
Step 3	<b>end</b>	Return to privileged EXEC mode.

To specify the IP address of an interface as the source address for TFTP connections, use the **ip tftp source-interface** show mode command. To return to the default, use the **no** form of this command.

	Command	Purpose
Step 1	<b>configure terminal</b>	Enter global configuration mode.
Step 2	<b>ip tftp source-interface</b> <i>interface-type interface-number</i>	Specify the source IP address for TFTP connections.
Step 3	<b>end</b>	Return to privileged EXEC mode.

## User Interface for VRF-Aware RADIUS

To configure VRF-Aware RADIUS, you must first enable AAA on a RADIUS server. The switch supports the **ip vrf forwarding** *vrf-name* server-group configuration and the **ip radius source-interface** global configuration commands, as described in the Per VRF AAA Feature Guide at: [http://www.cisco.com/en/US/docs/ios/12\\_2t/12\\_2t13/feature/guide/ftvrfaaa.html](http://www.cisco.com/en/US/docs/ios/12_2t/12_2t13/feature/guide/ftvrfaaa.html)

## Configuring a VPN Routing Session

Routing within the VPN can be configured with any supported routing protocol (RIP, OSPF, EIGRP, or BGP) or with static routing. The configuration shown here is for OSPF, but the process is the same for other protocols.



### Note

To configure an EIGRP routing process to run within a VRF instance, you must configure an autonomous-system number by entering the **autonomous-system** *autonomous-system-number* address-family configuration mode command.

Beginning in privileged EXEC mode, follow these steps to configure OSPF in the VPN:

	Command	Purpose
Step 1	<b>configure terminal</b>	Enter global configuration mode.
Step 2	<b>router ospf</b> <i>process-id</i> <b>vrf</b> <i>vrf-name</i>	Enable OSPF routing, specify a VPN forwarding table, and enter router configuration mode.
Step 3	<b>log-adjacency-changes</b>	(Optional) Log changes in the adjacency state. This is the default state.
Step 4	<b>redistribute bgp</b> <i>autonomous-system-number</i> <b>subnets</b>	Set the switch to redistribute information from the BGP network to the OSPF network.
Step 5	<b>network</b> <i>network-number</i> <b>area</b> <i>area-id</i>	Define a network address and mask on which OSPF runs and the area ID for that network address.
Step 6	<b>end</b>	Return to privileged EXEC mode.
Step 7	<b>show ip ospf</b> <i>process-id</i>	Verify the configuration of the OSPF network.
Step 8	<b>copy running-config startup-config</b>	(Optional) Save your entries in the configuration file.

Use the **no router ospf** *process-id* **vrf** *vrf-name* global configuration command to disassociate the VPN forwarding table from the OSPF routing process.

## Configuring BGP PE to CE Routing Sessions

Beginning in privileged EXEC mode, follow these steps to configure a BGP PE to CE routing session:

	Command	Purpose
Step 1	<b>configure terminal</b>	Enter global configuration mode.
Step 2	<b>router bgp</b> <i>autonomous-system-number</i>	Configure the BGP routing process with the AS number passed to other BGP routers, and enter router configuration mode.
Step 3	<b>network</b> <i>network-number</i> <b>mask</b> <i>network-mask</i>	Specify a network and mask to announce using BGP.
Step 4	<b>redistribute ospf</b> <i>process-id</i> <b>match</b> <b>internal</b>	Set the switch to redistribute OSPF internal routes.
Step 5	<b>network</b> <i>network-number</i> <b>area</b> <i>area-id</i>	Define a network address and mask on which OSPF runs and the area ID for that network address.

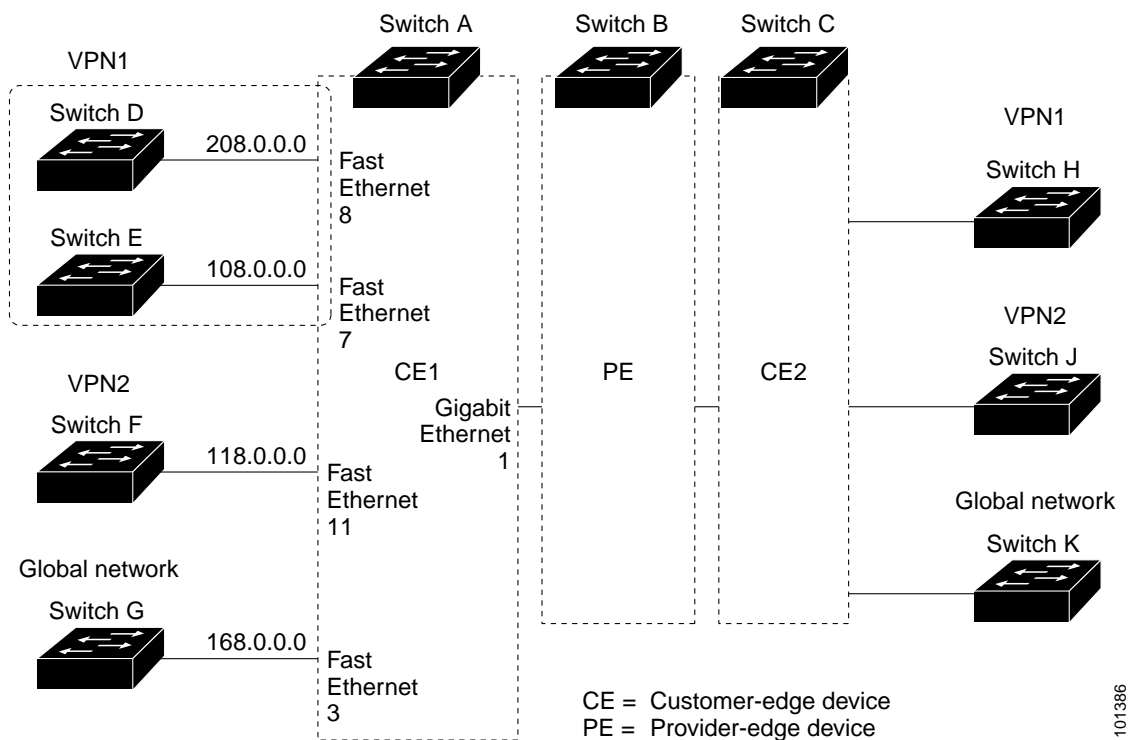
	Command	Purpose
Step 6	<b>address-family ipv4 vrf vrf-name</b>	Define BGP parameters for PE to CE routing sessions, and enter VRF address-family mode.
Step 7	<b>neighbor address remote-as as-number</b>	Define a BGP session between PE and CE routers.
Step 8	<b>neighbor address activate</b>	Activate the advertisement of the IPv4 address family.
Step 9	<b>end</b>	Return to privileged EXEC mode.
Step 10	<b>show ip bgp [ipv4] [neighbors]</b>	Verify BGP configuration.
Step 11	<b>copy running-config startup-config</b>	(Optional) Save your entries in the configuration file.

Use the **no router bgp autonomous-system-number** global configuration command to delete the BGP routing process. Use the command with keywords to delete routing characteristics.

## Multi-VRF CE Configuration Example

Figure 36-9 is a simplified example of the physical connections in a network similar to that in Figure 36-8. OSPF is the protocol used in VPN1, VPN2, and the global network. BGP is used in the CE to PE connections. The examples following the illustration show how to configure a Cisco ME 3400 switch as CE Switch A, and the VRF configuration for customer switches D and F. Commands for configuring CE Switch C and the other customer switches are not included but would be similar. The example also includes commands for configuring traffic to Switch A for a Catalyst 6000 or Catalyst 6500 switch acting as a PE router.

Figure 36-9 Multi-VRF CE Configuration Example



101386

## Configuring Switch A

On Switch A, enable routing and configure VRF.

```
Switch# configure terminal
Enter configuration commands, one per line. End with CNTL/Z.
Switch(config)# ip routing
Switch(config)# ip vrf v11
Switch(config-vrf)# rd 800:1
Switch(config-vrf)# route-target export 800:1
Switch(config-vrf)# route-target import 800:1
Switch(config-vrf)# exit
Switch(config)# ip vrf v12
Switch(config-vrf)# rd 800:2
Switch(config-vrf)# route-target export 800:2
Switch(config-vrf)# route-target import 800:2
Switch(config-vrf)# exit
```

Configure the loopback and physical interfaces on Switch A. Gigabit Ethernet port 1 is a trunk connection to the PE. Fast Ethernet ports 8 and 11 connect to VPNs:

```
Switch(config)# interface loopback1
Switch(config-if)# ip vrf forwarding v11
Switch(config-if)# ip address 8.8.1.8 255.255.255.0
Switch(config-if)# exit

Switch(config)# interface loopback2
Switch(config-if)# ip vrf forwarding v12
Switch(config-if)# ip address 8.8.2.8 255.255.255.0
Switch(config-if)# exit

Switch(config)# interface gigabitethernet0/5
Switch(config-if)# switchport trunk encapsulation dot1q
Switch(config-if)# switchport mode trunk
Switch(config-if)# no ip address
Switch(config-if)# exit

Switch(config)# interface fastethernet0/8
Switch(config-if)# no shutdown
Switch(config-if)# switchport access vlan 208
Switch(config-if)# no ip address
Switch(config-if)# exit

Switch(config)# interface fastethernet0/11
Switch(config-if)# no shutdown
Switch(config-if)# switchport trunk encapsulation dot1q
Switch(config-if)# switchport mode trunk
Switch(config-if)# no ip address
Switch(config-if)# exit
```

Configure the VLANs used on Switch A. VLAN 10 is used by VRF 11 between the CE and the PE. VLAN 20 is used by VRF 12 between the CE and the PE. VLANs 118 and 208 are used for the VPNs that include Switch F and Switch D, respectively:

```
Switch(config)# interface vlan10
Switch(config-if)# ip vrf forwarding v11
Switch(config-if)# ip address 38.0.0.8 255.255.255.0
Switch(config-if)# exit

Switch(config)# interface vlan20
Switch(config-if)# ip vrf forwarding v12
Switch(config-if)# ip address 83.0.0.8 255.255.255.0
Switch(config-if)# exit
```

```
Switch(config)# interface vlan118
Switch(config-if)# ip vrf forwarding v12
Switch(config-if)# ip address 118.0.0.8 255.255.255.0
Switch(config-if)# exit

Switch(config)# interface vlan208
Switch(config-if)# ip vrf forwarding v11
Switch(config-if)# ip address 208.0.0.8 255.255.255.0
Switch(config-if)# exit
```

Configure OSPF routing in VPN1 and VPN2.

```
Switch(config)# router ospf 1 vrf v11
Switch(config-router)# redistribute bgp 800 subnets
Switch(config-router)# network 208.0.0.0 0.0.0.255 area 0
Switch(config-router)# exit
Switch(config)# router ospf 2 vrf v12
Switch(config-router)# redistribute bgp 800 subnets
Switch(config-router)# network 118.0.0.0 0.0.0.255 area 0
Switch(config-router)# exit
```

Configure BGP for CE to PE routing.

```
Switch(config)# router bgp 800
Switch(config-router)# address-family ipv4 vrf v12
Switch(config-router-af)# redistribute ospf 2 match internal
Switch(config-router-af)# neighbor 83.0.0.3 remote-as 100
Switch(config-router-af)# neighbor 83.0.0.3 activate
Switch(config-router-af)# network 8.8.2.0 mask 255.255.255.0
Switch(config-router-af)# exit

Switch(config-router)# address-family ipv4 vrf v11
Switch(config-router-af)# redistribute ospf 1 match internal
Switch(config-router-af)# neighbor 38.0.0.3 remote-as 100
Switch(config-router-af)# neighbor 38.0.0.3 activate
Switch(config-router-af)# network 8.8.1.0 mask 255.255.255.0
Switch(config-router-af)# end
```

## Configuring Switch D

Switch D belongs to VPN 1. Configure the connection to Switch A by using these commands.

```
Switch# configure terminal
Enter configuration commands, one per line. End with CNTL/Z.
Switch(config)# ip routing
Switch(config)# interface fastethernet0/2
Switch(config-if)# no shutdown
Switch(config-if)# no switchport
Switch(config-if)# ip address 208.0.0.20 255.255.255.0
Switch(config-if)# exit

Switch(config)# router ospf 101
Switch(config-router)# network 208.0.0.0 0.0.0.255 area 0
Switch(config-router)# end
```

## Configuring Switch F

Switch F belongs to VPN 2. Configure the connection to Switch A by using these commands.

```
Switch# configure terminal
Enter configuration commands, one per line. End with CNTL/Z.
Switch(config)# ip routing
Switch(config)# interface fastethernet0/1
Switch(config-if)# no shutdown
```

```

Switch(config-if)# switchport trunk encapsulation dot1q
Switch(config-if)# switchport mode trunk
Switch(config-if)# no ip address
Switch(config-if)# exit

Switch(config)# interface vlan118
Switch(config-if)# ip address 118.0.0.11 255.255.255.0
Switch(config-if)# exit

Switch(config)# router ospf 101
Switch(config-router)# network 118.0.0.0 0.0.0.255 area 0
Switch(config-router)# end

```

## Configuring the PE Switch B

On Switch B (the PE router), these commands configure only the connections to the CE device, Switch A.

```

Router# configure terminal
Enter configuration commands, one per line. End with CNTL/Z.
Router(config)# ip vrf v1
Router(config-vrf)# rd 100:1
Router(config-vrf)# route-target export 100:1
Router(config-vrf)# route-target import 100:1
Router(config-vrf)# exit

Router(config)# ip vrf v2
Router(config-vrf)# rd 100:2
Router(config-vrf)# route-target export 100:2
Router(config-vrf)# route-target import 100:2
Router(config-vrf)# exit

Router(config)# ip cef
Router(config)# interface Loopback1
Router(config-if)# ip vrf forwarding v1
Router(config-if)# ip address 3.3.1.3 255.255.255.0
Router(config-if)# exit

Router(config)# interface Loopback2
Router(config-if)# ip vrf forwarding v2
Router(config-if)# ip address 3.3.2.3 255.255.255.0
Router(config-if)# exit

Router(config)# interface gigabitethernet0.10
Router(config-if)# encapsulation dot1q 10
Router(config-if)# ip vrf forwarding v1
Router(config-if)# ip address 38.0.0.3 255.255.255.0
Router(config-if)# exit

Router(config)# interface gigabitethernet0.20
Router(config-if)# encapsulation dot1q 20
Router(config-if)# ip vrf forwarding v2
Router(config-if)# ip address 83.0.0.3 255.255.255.0
Router(config-if)# exit

Router(config)# router bgp 100
Router(config-router)# address-family ipv4 vrf v2
Router(config-router-af)# neighbor 83.0.0.8 remote-as 800
Router(config-router-af)# neighbor 83.0.0.8 activate
Router(config-router-af)# network 3.3.2.0 mask 255.255.255.0
Router(config-router-af)# exit
Router(config-router)# address-family ipv4 vrf v1
Router(config-router-af)# neighbor 38.0.0.8 remote-as 800

```

```
Router(config-router-af)# neighbor 38.0.0.8 activate
Router(config-router-af)# network 3.3.1.0 mask 255.255.255.0
Router(config-router-af)# end
```

## Displaying Multi-VRF CE Status

You can use the privileged EXEC commands in [Table 36-15](#) to display information about multi-VRF CE configuration and status.

**Table 36-15** Commands for Displaying Multi-VRF CE Information

Command	Purpose
<code>show ip protocols vrf vrf-name</code>	Display routing protocol information associated with a VRF.
<code>show ip route vrf vrf-name [connected] [protocol [as-number]] [list] [mobile] [odr] [profile] [static] [summary] [supernets-only]</code>	Display IP routing table information associated with a VRF.
<code>show ip vrf [brief   detail   interfaces] [vrf-name]</code>	Display information about the defined VRF instances.

For more information about the information in the displays, refer to the *Cisco IOS Switching Services Command Reference, Release 12.2*.

## Configuring Protocol-Independent Features

This section describes how to configure IP routing protocol-independent features. For a complete description of the IP routing protocol-independent commands in this chapter, see the “IP Routing Protocol-Independent Commands” chapter of the *Cisco IOS IP Command Reference, Volume 2 of 3: Routing Protocols, Release 12.2*.

These sections contain this configuration information:

- [Configuring Cisco Express Forwarding, page 36-96](#)
- [Configuring the Number of Equal-Cost Routing Paths, page 36-97](#)
- [Configuring Static Unicast Routes, page 36-97](#)
- [Specifying Default Routes and Networks, page 36-99](#)
- [Using Route Maps to Redistribute Routing Information, page 36-99](#)
- [Configuring Policy-Based Routing, page 36-104](#)
- [Filtering Routing Information, page 36-107](#)
- [Managing Authentication Keys, page 36-109](#)

## Configuring Cisco Express Forwarding

Cisco Express Forwarding (CEF) is a Layer 3 IP switching technology used to optimize network performance. CEF implements an advanced IP look-up and forwarding algorithm to deliver maximum Layer 3 switching performance. CEF is less CPU-intensive than fast switching route caching, allowing more CPU processing power to be dedicated to packet forwarding. In dynamic networks, fast switching cache entries are frequently invalidated because of routing changes, which can cause traffic to be process switched using the routing table, instead of fast switched using the route cache. CEF use the Forwarding Information Base (FIB) lookup table to perform destination-based switching of IP packets.

The two main components in CEF are the distributed FIB and the distributed adjacency tables.

- The FIB is similar to a routing table or information base and maintains a mirror image of the forwarding information in the IP routing table. When routing or topology changes occur in the network, the IP routing table is updated, and those changes are reflected in the FIB. The FIB maintains next-hop address information based on the information in the IP routing table. Because the FIB contains all known routes that exist in the routing table, CEF eliminates route cache maintenance, is more efficient for switching traffic, and is not affected by traffic patterns.
- Nodes in the network are said to be adjacent if they can reach each other with a single hop across a link layer. CEF uses adjacency tables to prepend Layer 2 addressing information. The adjacency table maintains Layer 2 next-hop addresses for all FIB entries.

Because the switch uses Application Specific Integrated Circuits (ASICs) to achieve Gigabit-speed line rate IP traffic, CEF forwarding applies only to the software-forwarding path, that is, traffic that is forwarded by the CPU.

CEF is enabled globally by default. If for some reason it is disabled, you can re-enable it by using the **ip cef** global configuration command.

The default configuration is CEF enabled on all Layer 3 interfaces. Entering the **no ip route-cache cef** interface configuration command disables CEF for traffic that is being forwarded by software. This command does not affect the hardware forwarding path. Disabling CEF and using the **debug ip packet detail** privileged EXEC command can be useful to debug software-forwarded traffic. To enable CEF on an interface for the software-forwarding path, use the **ip route-cache cef** interface configuration command.



### Caution

Although the **no ip route-cache cef** interface configuration command to disable CEF on an interface is visible in the CLI, we strongly recommend that you do not disable CEF on interfaces except for debugging purposes.

Beginning in privileged EXEC mode, follow these steps to enable CEF globally and on an interface for software-forwarded traffic if it has been disabled:

	Command	Purpose
Step 1	<b>configure terminal</b>	Enter global configuration mode.
Step 2	<b>ip cef</b>	Enable CEF operation.
Step 3	<b>interface</b> <i>interface-id</i>	Enter interface configuration mode, and specify the Layer 3 interface to configure.
Step 4	<b>no shutdown</b>	Enable the interface if necessary. By default, UNIs and ENIs are disabled and NNIs are enabled.
Step 5	<b>ip route-cache cef</b>	Enable CEF on the interface for software-forwarded traffic.



	Command	Purpose
Step 6	<b>end</b>	Return to privileged EXEC mode.
Step 7	<b>show ip cef</b>	Display the CEF status on all interfaces.
Step 8	<b>show cef linecard [detail]</b>	Display CEF-related interface information.
Step 9	<b>show cef interface [interface-id]</b>	Display detailed CEF information for all interfaces or the specified interface.
Step 10	<b>show adjacency</b>	Display CEF adjacency table information.
Step 11	<b>copy running-config startup-config</b>	(Optional) Save your entries in the configuration file.

## Configuring the Number of Equal-Cost Routing Paths

When a router has two or more routes to the same network with the same metrics, these routes can be thought of as having an equal cost. The term *parallel path* is another way to see occurrences of equal-cost routes in a routing table. If a router has two or more equal-cost paths to a network, it can use them concurrently. Parallel paths provide redundancy in case of a circuit failure and also enable a router to load balance packets over the available paths for more efficient use of available bandwidth.

Although the router automatically learns about and configures equal-cost routes, you can control the maximum number of parallel paths supported by an IP routing protocol in its routing table.

Beginning in privileged EXEC mode, follow these steps to change the maximum number of parallel paths installed in a routing table from the default:

	Command	Purpose
Step 1	<b>configure terminal</b>	Enter global configuration mode.
Step 2	<b>router {bgp   rip   ospf   eigrp}</b>	Enter router configuration mode.
Step 3	<b>maximum-paths maximum</b>	Set the maximum number of parallel paths for the protocol routing table. The range is from 1 to 8; the default is 4 for most IP routing protocols, but only 1 for BGP.
Step 4	<b>end</b>	Return to privileged EXEC mode.
Step 5	<b>show ip protocols</b>	Verify the setting in the <i>Maximum path</i> field.
Step 6	<b>copy running-config startup-config</b>	(Optional) Save your entries in the configuration file.

Use the **no maximum-paths** router configuration command to restore the default value.

## Configuring Static Unicast Routes

Static unicast routes are user-defined routes that cause packets moving between a source and a destination to take a specified path. Static routes can be important if the router cannot build a route to a particular destination and are useful for specifying a gateway of last resort to which all unroutable packets are sent.

Beginning in privileged EXEC mode, follow these steps to configure a static route:

	Command	Purpose
Step 1	<b>configure terminal</b>	Enter global configuration mode.
Step 2	<b>ip route</b> <i>prefix mask {address   interface} [distance]</i>	Establish a static route.
Step 3	<b>end</b>	Return to privileged EXEC mode.
Step 4	<b>show ip route</b>	Display the current state of the routing table to verify the configuration.
Step 5	<b>copy running-config startup-config</b>	(Optional) Save your entries in the configuration file.

Use the **no ip route** *prefix mask {address | interface}* global configuration command to remove a static route.

The switch retains static routes until you remove them. However, you can override static routes with dynamic routing information by assigning administrative distance values. Each dynamic routing protocol has a default administrative distance, as listed in [Table 36-16](#). If you want a static route to be overridden by information from a dynamic routing protocol, set the administrative distance of the static route higher than that of the dynamic protocol.

**Table 36-16** Dynamic Routing Protocol Default Administrative Distances

Route Source	Default Distance
Connected interface	0
Static route	1
Enhanced IRGP summary route	5
External BGP	20
Internal Enhanced IGRP	90
IGRP	100
OSPF	110
Internal BGP	200
Unknown	225

Static routes that point to an interface are advertised through RIP, IGRP, and other dynamic routing protocols, whether or not static **redistribute** router configuration commands were specified for those routing protocols. These static routes are advertised because static routes that point to an interface are considered in the routing table to be connected and hence lose their static nature. However, if you define a static route to an interface that is not one of the networks defined in a network command, no dynamic routing protocols advertise the route unless a **redistribute** static command is specified for these protocols.

When an interface goes down, all static routes through that interface are removed from the IP routing table. When the software can no longer find a valid next hop for the address specified as the forwarding router's address in a static route, the static route is also removed from the IP routing table.

## Specifying Default Routes and Networks

A router might not be able to learn the routes to all other networks. To provide complete routing capability, you can use some routers as smart routers and give the remaining routers default routes to the smart router. (Smart routers have routing table information for the entire internetwork.) These default routes can be dynamically learned or can be configured in the individual routers. Most dynamic interior routing protocols include a mechanism for causing a smart router to generate dynamic default information that is then forwarded to other routers.

If a router has a directly connected interface to the specified default network, the dynamic routing protocols running on that device generate a default route. In RIP, it advertises the pseudonetwork 0.0.0.0.s

A router that is generating the default for a network also might need a default of its own. One way a router can generate its own default is to specify a static route to the network 0.0.0.0 through the appropriate device.

Beginning in privileged EXEC mode, follow these steps to define a static route to a network as the static default route:

	Command	Purpose
Step 1	<b>configure terminal</b>	Enter global configuration mode.
Step 2	<b>ip default-network</b> <i>network number</i>	Specify a default network.
Step 3	<b>end</b>	Return to privileged EXEC mode.
Step 4	<b>show ip route</b>	Display the selected default route in the gateway of last resort display.
Step 5	<b>copy running-config startup-config</b>	(Optional) Save your entries in the configuration file.

Use the **no ip default-network** *network number* global configuration command to remove the route.

When default information is passed through a dynamic routing protocol, no further configuration is required. The system periodically scans its routing table to choose the optimal default network as its default route. In IGRP networks, there might be several candidate networks for the system default. Cisco routers use administrative distance and metric information to set the default route or the gateway of last resort.

If dynamic default information is not being passed to the system, candidates for the default route are specified with the **ip default-network** global configuration command. If this network appears in the routing table from any source, it is flagged as a possible choice for the default route. If the router has no interface on the default network, but does have a path to it, the network is considered as a possible candidate, and the gateway to the best default path becomes the gateway of last resort.

## Using Route Maps to Redistribute Routing Information

The switch can run multiple routing protocols simultaneously, and it can redistribute information from one routing protocol to another. Redistributing information from one routing protocol to another applies to all supported IP-based routing protocols.

You can also conditionally control the redistribution of routes between routing domains by defining enhanced packet filters or route maps between the two domains. The **match** and **set** route-map configuration commands define the condition portion of a route map. The **match** command specifies that a criterion must be matched. The **set** command specifies an action to be taken if the routing update meets the conditions defined by the match command. Although redistribution is a protocol-independent feature, some of the **match** and **set** route-map configuration commands are specific to a particular protocol.

One or more **match** commands and one or more **set** commands follow a **route-map** command. If there are no **match** commands, everything matches. If there are no **set** commands, nothing is done, other than the match. Therefore, you need at least one **match** or **set** command.

**Note**

A route map with no **set** route-map configuration commands is sent to the CPU, which causes high CPU utilization.

You can also identify route-map statements as **permit** or **deny**. If the statement is marked as a deny, the packets meeting the match criteria are sent back through the normal forwarding channels (destination-based routing). If the statement is marked as permit, set clauses are applied to packets meeting the match criteria. Packets that do not meet the match criteria are forwarded through the normal routing channel.

You can use the BGP route map **continue** clause to execute additional entries in a route map after an entry is executed with successful match and set clauses. You can use the **continue** clause to configure and organize more modular policy definitions so that specific policy configurations need not be repeated within the same route map. The switch supports the **continue** clause for outbound policies. For more information about using the route map **continue** clause, see the BGP Route-Map Continue Support for an Outbound Policy feature guide for Cisco IOS Release 12.4(4)T at this URL:

[http://www.cisco.com/en/US/products/ps6441/products\\_feature\\_guides\\_list.html](http://www.cisco.com/en/US/products/ps6441/products_feature_guides_list.html)

**Note**

Although each of Steps 3 through 14 in the following section is optional, you must enter at least one **match** route-map configuration command and one **set** route-map configuration command.

Beginning in privileged EXEC mode, follow these steps to configure a route map for redistribution:

	Command	Purpose
Step 1	<b>configure terminal</b>	Enter global configuration mode.
Step 2	<b>route-map</b> <i>map-tag</i> [ <b>permit</b>   <b>deny</b> ] [ <i>sequence number</i> ]	Define any route maps used to control redistribution and enter route-map configuration mode.  <i>map-tag</i> —A meaningful name for the route map. The <b>redistribute</b> router configuration command uses this name to reference this route map. Multiple route maps might share the same map tag name.  (Optional) If <b>permit</b> is specified and the match criteria are met for this route map, the route is redistributed as controlled by the set actions. If <b>deny</b> is specified, the route is not redistributed.  <i>sequence number</i> (Optional)— Number that indicates the position a new route map is to have in the list of route maps already configured with the same name.

	Command	Purpose
Step 3	<b>match as-path</b> <i>path-list-number</i>	Match a BGP AS path access list.
Step 4	<b>match community-list</b> <i>community-list-number</i> [ <b>exact</b> ]	Match a BGP community list.
Step 5	<b>match ip address</b> { <i>access-list-number</i>   <i>access-list-name</i> } [... <i>access-list-number</i>   ... <i>access-list-name</i> ]	Match a standard access list by specifying the name or number. It can be an integer from 1 to 199.
Step 6	<b>match metric</b> <i>metric-value</i>	Match the specified route metric. The <i>metric-value</i> can be an EIGRP metric with a specified value from 0 to 4294967295.
Step 7	<b>match ip next-hop</b> { <i>access-list-number</i>   <i>access-list-name</i> } [... <i>access-list-number</i>   ... <i>access-list-name</i> ]	Match a next-hop router address passed by one of the access lists specified (numbered from 1 to 199).
Step 8	<b>match tag</b> <i>tag value</i> [... <i>tag-value</i> ]	Match the specified tag value in a list of one or more route tag values. Each can be an integer from 0 to 4294967295.
Step 9	<b>match interface</b> <i>type number</i> [... <i>type number</i> ]	Match the specified next hop route out one of the specified interfaces.
Step 10	<b>match ip route-source</b> { <i>access-list-number</i> / <i>access-list-name</i> } [... <i>access-list-number</i> / ... <i>access-list-name</i> ]	Match the address specified by the specified advertised access lists.
Step 11	<b>match route-type</b> { <b>local</b>   <b>internal</b>   <b>external</b> [ <b>type-1</b>   <b>type-2</b> ]}	Match the specified <b>route-type</b> : <ul style="list-style-type: none"> <li>• <b>local</b>—Locally generated BGP routes.</li> <li>• <b>internal</b>—OSPF intra-area and interarea routes or EIGRP internal routes.</li> <li>• <b>external</b>—OSPF external routes (Type 1 or Type 2) or EIGRP external routes.</li> </ul>
Step 12	<b>set dampening</b> <i>half-life reuse suppress max-suppress-time</i>	Set BGP route dampening factors.
Step 13	<b>set local-preference</b> <i>value</i>	Assign a value to a local BGP path.
Step 14	<b>set origin</b> { <b>igp</b>   <b>egp</b> <i>as</i>   <b>incomplete</b> }	Set the BGP origin code.
Step 15	<b>set as-path</b> { <b>tag</b>   <b>prepend</b> <i>as-path-string</i> }	Modify the BGP autonomous system path.
Step 16	<b>set level</b> { <b>level-1</b> / <b>level-2</b> / <b>level-1-2</b> / <b>stub-area</b> / <b>backbone</b> }	Set the level for routes that are advertised into the specified area of the routing domain. The <b>stub-area</b> and <b>backbone</b> are OSPF NSSA and backbone areas.
Step 17	<b>set metric</b> <i>metric value</i>	Set the metric value to give the redistributed routes (for EIGRP only). The <i>metric value</i> is an integer from -294967295 to 294967295.

	Command	Purpose
Step 18	<b>set metric</b> <i>bandwidth delay reliability loading mtu</i>	Set the metric value to give the redistributed routes (for EIGRP only): <ul style="list-style-type: none"> <li><i>bandwidth</i>—Metric value or IGRP bandwidth of the route in kilobits per second in the range 0 to 4294967295</li> <li><i>delay</i>—Route delay in tens of microseconds in the range 0 to 4294967295.</li> <li><i>reliability</i>—Likelihood of successful packet transmission expressed as a number between 0 and 255, where 255 means 100 percent reliability and 0 means no reliability.</li> <li><i>loading</i>—Effective bandwidth of the route expressed as a number from 0 to 255 (255 is 100 percent loading).</li> <li><i>mtu</i>—Minimum maximum transmission unit (MTU) size of the route in bytes in the range 0 to 4294967295.</li> </ul>
Step 19	<b>set metric-type</b> { <i>type-1</i>   <i>type-2</i> }	Set the OSPF external metric type for redistributed routes.
Step 20	<b>set metric-type internal</b>	Set the multi-exit discriminator (MED) value on prefixes advertised to external BGP neighbor to match the IGP metric of the next hop.
Step 21	<b>set weight</b>	Set the BGP weight for the routing table. The value can be from 1 to 65535.
Step 22	<b>end</b>	Return to privileged EXEC mode.
Step 23	<b>show route-map</b>	Display all route maps configured or only the one specified to verify configuration.
Step 24	<b>copy running-config startup-config</b>	(Optional) Save your entries in the configuration file.

To delete an entry, use the **no route-map** *map tag* global configuration command or the **no match** or **no set** route-map configuration commands.

You can distribute routes from one routing domain into another and control route distribution.

Beginning in privileged EXEC mode, follow these steps to control route redistribution. Note that the keywords are the same as defined in the previous procedure.

	Command	Purpose
Step 1	<b>configure terminal</b>	Enter global configuration mode.
Step 2	<b>router</b> { <i>bgp</i>   <i>rip</i>   <i>ospf</i>   <i>eigrp</i> }	Enter router configuration mode.
Step 3	<b>redistribute</b> <i>protocol</i> [ <i>process-id</i> ] { <i>level-1</i>   <i>level-1-2</i>   <i>level-2</i> } [ <i>metric metric-value</i> ] [ <i>metric-type type-value</i> ] [ <i>match internal</i>   <i>external type-value</i> ] [ <i>tag tag-value</i> ] [ <i>route-map map-tag</i> ] [ <i>weight weight</i> ] [ <i>subnets</i> ]	Redistribute routes from one routing protocol to another routing protocol. If no route-maps are specified, all routes are redistributed. If the keyword <b>route-map</b> is specified with no <i>map-tag</i> , no routes are distributed.

	Command	Purpose
Step 4	<b>default-metric</b> <i>number</i>	Cause the current routing protocol to use the same metric value for all redistributed routes (BGP, RIP and OSPF).
Step 5	<b>default-metric</b> <i>bandwidth delay reliability loading mtu</i>	Cause the EIGRP routing protocol to use the same metric value for all non-EIGRP redistributed routes.
Step 6	<b>end</b>	Return to privileged EXEC mode.
Step 7	<b>show route-map</b>	Display all route maps configured or only the one specified to verify configuration.
Step 8	<b>copy running-config startup-config</b>	(Optional) Save your entries in the configuration file.

To disable redistribution, use the **no** form of the commands.

The metrics of one routing protocol do not necessarily translate into the metrics of another. In these situations, an artificial metric is assigned to the redistributed route. Uncontrolled exchanging of routing information between different routing protocols can create routing loops and seriously degrade network operation.

If you have not defined a default redistribution metric that replaces metric conversion, some automatic metric translations occur between routing protocols:

- RIP can automatically redistribute static routes. It assigns static routes a metric of 1 (directly connected).
- Any protocol can redistribute other routing protocols if a default mode is in effect.

## Configuring Policy-Based Routing

You can use policy-based routing (PBR) to configure a defined policy for traffic flows. By using PBR, you can have more control over routing by reducing the reliance on routes derived from routing protocols. PBR can specify and implement routing policies that allow or deny paths based on:

- Identity of a particular end system
- Application
- Protocol

You can use PBR to provide equal-access and source-sensitive routing, routing based on interactive versus batch traffic, or routing based on dedicated links. For example, you could transfer stock records to a corporate office on a high-bandwidth, high-cost link for a short time while transmitting routine application data such as e-mail over a low-bandwidth, low-cost link.

With PBR, you classify traffic using access control lists (ACLs) and then make traffic go through a different path. PBR is applied to incoming packets. All packets received on an interface with PBR enabled are passed through route maps. Based on the criteria defined in the route maps, packets are forwarded (routed) to the appropriate next hop.

- If packets do not match any route map statements, all set clauses are applied.
- If a statement is marked as permit and the packets do not match any route-map statements, the packets are sent through the normal forwarding channels, and destination-based routing is performed.
- For PBR, route-map statements marked as deny are not supported.

For more information about configuring route maps, see the [“Using Route Maps to Redistribute Routing Information” section on page 36-99](#).

You can use standard IP ACLs to specify match criteria for a source address or extended IP ACLs to specify match criteria based on an application, a protocol type, or an end station. The process proceeds through the route map until a match is found. If no match is found, normal destination-based routing occurs. There is an implicit deny at the end of the list of match statements.

If match clauses are satisfied, you can use a set clause to specify the IP addresses identifying the next hop router in the path.

For details about PBR commands and keywords, see the *Cisco IOS IP Command Reference, Volume 2 of 3: Routing Protocols, Release 12.2*. For a list of PBR commands that are visible but not supported by the switch, see [Appendix C, “Unsupported Commands in Cisco IOS Release 12.2\(55\)SE.”](#)

## PBR Configuration Guidelines

Before configuring PBR, you should be aware of this information:

- Multicast traffic is not policy-routed. PBR applies to only to unicast traffic.
- You can enable PBR on a routed port or an SVI.
- The switch does not support **route-map deny** statements for PBR.
- You can apply a policy route map to an EtherChannel port channel in Layer 3 mode, but you cannot apply a policy route map to a physical interface that is a member of the EtherChannel. If you try to do so, the command is rejected. When a policy route map is applied to a physical interface, that interface cannot become a member of an EtherChannel.
- You can define a maximum of 246 IP policy route maps on the switch.
- You can define a maximum of 512 access control entries (ACEs) for PBR on the switch.
- When configuring match criteria in a route map, follow these guidelines:
  - Do not match ACLs that permit packets destined for a local address. PBR would forward these packets, which could cause ping or Telnet failure or route protocol flapping.
  - Do not match ACLs with deny ACEs. Packets that match a deny ACE are sent to the CPU, which could cause high CPU utilization.
- To use PBR, you must first enable the default template by using the **sdm prefer default** global configuration command. PBR is not supported with the Layer 2 template. For more information on the SDM templates, see [Chapter 7, “Configuring SDM Templates.”](#)
- VRF and PBR are mutually-exclusive on a switch interface. You cannot enable VRF when PBR is enabled on an interface. In contrast, you cannot enable PBR when VRF is enabled on an interface.
- The number of TCAM entries used by PBR depends on the route map itself, the ACLs used, and the order of the ACLs and route-map entries.
- Policy-based routing based on packet length, IP precedence and TOS, set interface, set default next hop, or set default interface are not supported. Policy maps with no valid set actions or with set action set to *Don't Fragment* are not supported.



## Enabling PBR

By default, PBR is disabled on the switch. To enable PBR, you must create a route map that specifies the match criteria and the resulting action if all of the match clauses are met. Then, you must enable PBR for that route map on an interface. All packets arriving on the specified interface matching the match clauses are subject to PBR.

PBR can be fast-switched or implemented at speeds that do not slow down the switch. Fast-switched PBR supports most match and set commands. PBR must be enabled before you enable fast-switched PBR. Fast-switched PBR is disabled by default.

Packets that are generated by the switch, or local packets, are not normally policy-routed. When you globally enable local PBR on the switch, all packets that originate on the switch are subject to local PBR. Local PBR is disabled by default.

Beginning in privileged EXEC mode, follow these steps to configure PBR:

	Command	Purpose
Step 1	<b>configure terminal</b>	Enter global configuration mode.
Step 2	<b>route-map</b> <i>map-tag</i> [ <b>permit</b> ] [ <i>sequence number</i> ]	<p>Define any route maps used to control where packets are output, and enter route-map configuration mode.</p> <ul style="list-style-type: none"> <li><i>map-tag</i>—A meaningful name for the route map. The <b>ip policy route-map</b> interface configuration command uses this name to reference the route map. Multiple route maps might share the same map tag name.</li> <li>(Optional) If <b>permit</b> is specified and the match criteria are met for this route map, the route is policy-routed as controlled by the set actions.</li> </ul> <p><b>Note</b> The <b>route-map deny</b> statement is not supported in PBR route maps to be applied to an interface.</p> <ul style="list-style-type: none"> <li><i>sequence number</i> (Optional)— Number that shows the position of a new route map in the list of route maps already configured with the same name.</li> </ul>
Step 3	<b>match ip address</b> { <i>access-list-number</i>   <i>access-list-name</i> } [... <i>access-list-number</i>   ... <i>access-list-name</i> ]	<p>Match the source and destination IP address that is permitted by one or more standard or extended access lists.</p> <p><b>Note</b> Do not enter an ACL with a deny ACE or an ACL that permits a packet destined for a local address.</p> <p>If you do not specify a <b>match</b> command, the route map applies to all packets.</p>
Step 4	<b>set ip next-hop</b> <i>ip-address</i> [... <i>ip-address</i> ]	Specify the action to take on the packets that match the criteria. Set next hop to which to route the packet (the next hop must be adjacent).
Step 5	<b>exit</b>	Return to global configuration mode.
Step 6	<b>interface</b> <i>interface-id</i>	Enter interface configuration mode, and specify the interface to configure.
Step 7	<b>no shutdown</b>	Enable the interface if necessary. By default, UNIs and ENIs are disabled and NNIs are enabled.

	Command	Purpose
Step 8	<b>ip policy route-map</b> <i>map-tag</i>	Enable PBR on a Layer 3 interface, and identify the route map to use. You can configure only one route map on an interface. However, you can have multiple route map entries with different sequence numbers. These entries are evaluated in sequence number order until the first match. If there is no match, packets are routed as usual.  <b>Note</b> If the IP policy route map contains a <b>deny</b> statement, the configuration fails.
Step 9	<b>ip route-cache policy</b>	(Optional) Enable fast-switching PBR. You must first enable PBR before enabling fast-switching PBR.
Step 10	<b>exit</b>	Return to global configuration mode.
Step 11	<b>ip local policy route-map</b> <i>map-tag</i>	(Optional) Enable local PBR to perform policy-based routing on packets originating at the switch. This applies to packets generated by the switch and not to incoming packets.
Step 12	<b>end</b>	Return to privileged EXEC mode.
Step 13	<b>show route-map</b> [ <i>map-name</i> ]	(Optional) Display all route maps configured or only the one specified to verify configuration.
Step 14	<b>show ip policy</b>	(Optional) Display policy route maps attached to interfaces.
Step 15	<b>show ip local policy</b>	(Optional) Display whether or not local policy routing is enabled and, if so, the route map being used.
Step 16	<b>copy running-config startup-config</b>	(Optional) Save your entries in the configuration file.

Use the **no route-map** *map-tag* global configuration command or the **no match** or **no set** route-map configuration commands to delete an entry. Use the **no ip policy route-map** *map-tag* interface configuration command to disable PBR on an interface. Use the **no ip route-cache policy** interface configuration command to disable fast-switching PBR. Use the **no ip local policy route-map** *map-tag* global configuration command to disable policy-based routing on packets originating on the switch.

## Filtering Routing Information

You can filter routing protocol information by performing the tasks described in this section.



Note

When routes are redistributed between OSPF processes, no OSPF metrics are preserved.

## Setting Passive Interfaces

To prevent other routers on a local network from dynamically learning about routes, you can use the **passive-interface** router configuration command to keep routing update messages from being sent through a router interface. When you use this command in the OSPF protocol, the interface address you specify as passive appears as a stub network in the OSPF domain. OSPF routing information is neither sent nor received through the specified router interface.

In networks with many interfaces, to avoid having to manually set them as passive, you can set all interfaces to be passive by default by using the **passive-interface default** router configuration command and manually setting interfaces where adjacencies are desired.

Beginning in privileged EXEC mode, follow these steps to configure passive interfaces:

	Command	Purpose
Step 1	<b>configure terminal</b>	Enter global configuration mode.
Step 2	<b>router { bgp   rip   ospf   eigrp }</b>	Enter router configuration mode.
Step 3	<b>passive-interface interface-id</b>	Suppress sending routing updates through the specified Layer 3 interface.
Step 4	<b>passive-interface default</b>	(Optional) Set all interfaces as passive by default.
Step 5	<b>no passive-interface interface type</b>	(Optional) Activate only those interfaces that need to have adjacencies sent.
Step 6	<b>network network-address</b>	(Optional) Specify the list of networks for the routing process. The <i>network-address</i> is an IP address.
Step 7	<b>end</b>	Return to privileged EXEC mode.
Step 8	<b>copy running-config startup-config</b>	(Optional) Save your entries in the configuration file.

Use a network monitoring privileged EXEC command such as **show ip ospf interface** to verify the interfaces that you enabled as passive, or use the **show ip interface** privileged EXEC command to verify the interfaces that you enabled as active.

To re-enable the sending of routing updates, use the **no passive-interface interface-id** router configuration command. The **default** keyword sets all interfaces as passive by default. You can then configure individual interfaces where you want adjacencies by using the **no passive-interface** router configuration command. The **default** keyword is useful in Internet service provider and large enterprise networks where many of the distribution routers have more than 200 interfaces.

## Controlling Advertising and Processing in Routing Updates

You can use the **distribute-list** router configuration command with access control lists to suppress routes from being advertised in routing updates and to prevent other routers from learning one or more routes. When used in OSPF, this feature applies to only external routes, and you cannot specify an interface name.

You can also use a **distribute-list** router configuration command to avoid processing certain routes listed in incoming updates. (This feature does not apply to OSPF.)

Beginning in privileged EXEC mode, follow these steps to control the advertising or processing of routing updates:

	Command	Purpose
Step 1	<b>configure terminal</b>	Enter global configuration mode.
Step 2	<b>router { bgp   rip   eigrp }</b>	Enter router configuration mode.
Step 3	<b>distribute-list { access-list-number   access-list-name } out [interface-name   routing process   autonomous-system-number]</b>	Permit or deny routes from being advertised in routing updates, depending upon the action listed in the access list.
Step 4	<b>distribute-list { access-list-number   access-list-name } in [type-number]</b>	Suppress processing in routes listed in updates.

	Command	Purpose
Step 5	<b>end</b>	Return to privileged EXEC mode.
Step 6	<b>copy running-config startup-config</b>	(Optional) Save your entries in the configuration file.

Use the **no distribute-list in** router configuration command to change or cancel a filter. To cancel suppression of network advertisements in updates, use the **no distribute-list out** router configuration command.

## Filtering Sources of Routing Information

Because some routing information might be more accurate than others, you can use filtering to prioritize information coming from different sources. An *administrative distance* is a rating of the trustworthiness of a routing information source, such as a router or group of routers. In a large network, some routing protocols can be more reliable than others. By specifying administrative distance values, you enable the router to intelligently discriminate between sources of routing information. The router always picks the route whose routing protocol has the lowest administrative distance. [Table 36-16 on page 36-98](#) shows the default administrative distances for various routing information sources.

Because each network has its own requirements, there are no general guidelines for assigning administrative distances.

Beginning in privileged EXEC mode, follow these steps to filter sources of routing information:

	Command	Purpose
Step 1	<b>configure terminal</b>	Enter global configuration mode.
Step 2	<b>router {bgp   rip   ospf   eigrp}</b>	Enter router configuration mode.
Step 3	<b>distance weight {ip-address {ip-address mask}} [ip access list]</b>	Define an administrative distance.  <i>weight</i> —The administrative distance as an integer from 10 to 255. Used alone, <i>weight</i> specifies a default administrative distance that is used when no other specification exists for a routing information source. Routes with a distance of 255 are not installed in the routing table.  (Optional) <i>ip access list</i> —An IP standard or extended access list to be applied to incoming routing updates.
Step 4	<b>end</b>	Return to privileged EXEC mode.
Step 5	<b>show ip protocols</b>	Display the default administrative distance for a specified routing process.
Step 6	<b>copy running-config startup-config</b>	(Optional) Save your entries in the configuration file.

To remove a distance definition, use the **no distance** router configuration command.

## Managing Authentication Keys

Key management is a method of controlling authentication keys used by routing protocols. Not all protocols can use key management. Authentication keys are available for EIGRP and RIP Version 2.

Before you manage authentication keys, you must enable authentication. See the appropriate protocol section to see how to enable authentication for that protocol. To manage authentication keys, define a key chain, identify the keys that belong to the key chain, and specify how long each key is valid. Each key has its own key identifier (specified with the **key number** key chain configuration command), which is stored locally. The combination of the key identifier and the interface associated with the message uniquely identifies the authentication algorithm and Message Digest 5 (MD5) authentication key in use.

You can configure multiple keys with life times. Only one authentication packet is sent, regardless of how many valid keys exist. The software examines the key numbers in order from lowest to highest, and uses the first valid key it encounters. The lifetimes allow for overlap during key changes. Note that the router must know these lifetimes.

Beginning in privileged EXEC mode, follow these steps to manage authentication keys:

	Command	Purpose
Step 1	<b>configure terminal</b>	Enter global configuration mode.
Step 2	<b>key chain</b> <i>name-of-chain</i>	Identify a key chain, and enter key chain configuration mode.
Step 3	<b>key number</b>	Identify the key number. The range is 0 to 2147483647.
Step 4	<b>key-string</b> <i>text</i>	Identify the key string. The string can contain from 1 to 80 uppercase and lowercase alphanumeric characters, but the first character cannot be a number.
Step 5	<b>accept-lifetime</b> <i>start-time</i> { <b>infinite</b>   <i>end-time</i>   <b>duration</b> <i>seconds</i> }	(Optional) Specify the time period during which the key can be received.  The <i>start-time</i> and <i>end-time</i> syntax can be either <i>hh:mm:ss Month date year</i> or <i>hh:mm:ss date Month year</i> . The default is forever with the default <i>start-time</i> and the earliest acceptable date as January 1, 1993. The default <i>end-time</i> and <b>duration</b> is <b>infinite</b> .
Step 6	<b>send-lifetime</b> <i>start-time</i> { <b>infinite</b>   <i>end-time</i>   <b>duration</b> <i>seconds</i> }	(Optional) Specify the time period during which the key can be sent.  The <i>start-time</i> and <i>end-time</i> syntax can be either <i>hh:mm:ss Month date year</i> or <i>hh:mm:ss date Month year</i> . The default is forever with the default <i>start-time</i> and the earliest acceptable date as January 1, 1993. The default <i>end-time</i> and <b>duration</b> is infinite.
Step 7	<b>end</b>	Return to privileged EXEC mode.
Step 8	<b>show key chain</b>	Display authentication key information.
Step 9	<b>copy running-config startup-config</b>	(Optional) Save your entries in the configuration file.

To remove the key chain, use the **no key chain** *name-of-chain* global configuration command.

## Monitoring and Maintaining the IP Network

You can remove all contents of a particular cache, table, or database. You can also display specific statistics. Use the privileged EXEC commands in [Table 36-17](#) to clear routes or display status:

Table 36-17 Commands to Clear IP Routes or Display Route Status

Command	Purpose
<b>clear ip route</b> { <i>network</i> [ <i>mask</i>   *]}	Clear one or more routes from the IP routing table.
<b>show ip protocols</b>	Display the parameters and state of the active routing protocol process.
<b>show ip route</b> [ <i>address</i> [ <i>mask</i> ] [ <b>longer-prefixes</b> ]]   [ <i>protocol</i> [ <i>process-id</i> ]]	Display the current state of the routing table.
<b>show ip route summary</b>	Display the current state of the routing table in summary form.
<b>show ip route supernets-only</b>	Display supernets.
<b>show ip cache</b>	Display the routing table used to switch IP traffic.
<b>show route-map</b> [ <i>map-name</i> ]	Display all route maps configured or only the one specified.









## Configuring IPv6 Unicast Routing

This chapter describes how to configure IPv6 unicast routing on the Cisco ME 3400E Ethernet Access switch.

For information about configuring IPv4 unicast routing, see [Chapter 36, “Configuring IP Unicast Routing.”](#) For information on configuring IPv6 access control lists (ACLs) see [Chapter 39, “Configuring IPv6 ACLs.”](#)

To use this feature, the switch must be running the metro IP access image. To enable IPv6 routing, you must configure the switch to use a dual IPv4 and IPv6 switch database management (SDM) template. See the [“Dual IPv4 and IPv6 Protocol Stacks”](#) section on [page 37-5](#).



Note

For complete syntax and usage information for the commands used in this chapter, see the Cisco IOS documentation referenced in the procedures

- [“Understanding IPv6”](#) section on [page 37-1](#)
- [“Configuring IPv6”](#) section on [page 37-9](#)
- [“Displaying IPv6”](#) section on [page 37-24](#)

## Understanding IPv6

IPv4 users can move to IPv6 and receive services such as end-to-end security, quality of service (QoS), and globally unique addresses. The IPv6 address space reduces the need for private addresses and Network Address Translation (NAT) processing by border routers at network edges.

For information about how Cisco Systems implements IPv6, go to this URL:

[http://www.cisco.com/en/US/products/ps6553/products\\_ios\\_technology\\_home.html](http://www.cisco.com/en/US/products/ps6553/products_ios_technology_home.html)

For information about IPv6 and other features in this chapter

- See the *Cisco IOS IPv6 Configuration Library*.
- Use the Search field on Cisco.com to locate Cisco IOS software documentation. For example, if you want information about static routes, you can enter *Implementing Static Routes for IPv6* in the search field to get see links to multiple documents about static routes

This section describes IPv6 implementation on the switch. These sections are included:

- [IPv6 Addresses, page 37-2](#)
- [Supported IPv6 Unicast Routing Features, page 37-2](#)

- [Unsupported IPv6 Unicast Routing Features, page 37-7](#)
- [Limitations, page 37-8](#)

## IPv6 Addresses

The switch supports only IPv6 unicast addresses. It does not support site-local unicast addresses, anycast addresses, or multicast addresses.

The IPv6 128-bit addresses are represented as a series of eight 16-bit hexadecimal fields separated by colons in the format: n:n:n:n:n:n:n:n. This is an example of an IPv6 address:

```
2031:0000:130F:0000:0000:09C0:080F:130B
```

For easier implementation, leading zeros in each field are optional. This is the same address without leading zeros:

```
2031:0:130F:0:0:9C0:80F:130B
```

You can also use two colons (::) to represent successive hexadecimal fields of zeros, but you can use this short version only once in each address:

```
2031:0:130F::09C0:080F:130B
```

For more information about IPv6 address formats, address types, and the IPv6 packet header, see the “Implementing IPv6 Addressing and Basic Connectivity” chapter of *Cisco IOS IPv6 Configuration Library* on Cisco.com.

In the “Information About Implementing Basic Connectivity for IPv6” chapter, these sections apply to the switch:

- IPv6 Address Formats
- IPv6 Address Type: Unicast
- IPv6 Address Output Display
- Simplified IPv6 Packet Header

## Supported IPv6 Unicast Routing Features

Support on the switch includes expanded address capability, header format simplification, improved support of extensions and options, and hardware parsing of the extension header. The switch supports hop-by-hop extension header packets, which are routed or bridged in software.

The switch provides IPv6 routing capability over 802.1Q trunk ports for static routes, Routing Information Protocol (RIP) for IPv6, and Open Shortest Path First (OSPF) Version 3 Protocol. It supports up to 16 equal-cost routes and can simultaneously forward IPv4 and IPv6 frames at line rate.

- [128-Bit Unicast Addresses, page 37-3](#)
- [DNS for IPv6, page 37-3](#)
- [Path MTU Discovery for IPv6 Unicast, page 37-3](#)
- [ICMPv6, page 37-4](#)
- [Neighbor Discovery, page 37-4](#)
- [Default Router Preference, page 37-4](#)
- [IPv6 Stateless Autoconfiguration and Duplicate Address Detection, page 37-4](#)

- [IPv6 Applications](#), page 37-4
- [Dual IPv4 and IPv6 Protocol Stacks](#), page 37-5
- [DHCP for IPv6 Address Assignment](#), page 37-5
- [Static Routes for IPv6](#), page 37-6
- [RIP for IPv6](#), page 37-6
- [OSPF for IPv6](#), page 37-6
- [EIGRP IPv6](#), page 37-6
- [Multiprotocol BGP for IPv6](#), page 37-6
- [SNMP and Syslog Over IPv6](#), page 37-7
- [HTTP\(S\) Over IPv6](#), page 37-7

## 128-Bit Unicast Addresses

The switch supports aggregatable global unicast addresses and link-local unicast addresses. It does not support site-local unicast addresses.

- Aggregatable global unicast addresses are IPv6 addresses from the aggregatable global unicast prefix. The address structure enables strict aggregation of routing prefixes and limits the number of routing table entries in the global routing table. These addresses are used on links that are aggregated through organizations and eventually to the Internet service provider.

These addresses are defined by a global routing prefix, a subnet ID, and an interface ID. Current global unicast address allocation uses the range of addresses that start with binary value 001 (2000::/3). Addresses with a prefix of 2000::/3(001) through E000::/3(111) must have 64-bit interface identifiers in the extended unique identifier (EUI)-64 format.

- Link local unicast addresses can be automatically configured on any interface by using the link-local prefix FE80::/10(1111 1110 10) and the interface identifier in the modified EUI format. Link-local addresses are used in the neighbor discovery protocol (NDP) and the stateless autoconfiguration process. Nodes on a local link use link-local addresses and do not require globally unique addresses to communicate. IPv6 routers do not forward packets with link-local source or destination addresses to other links.

For more information, see the section about IPv6 unicast addresses in the “Implementing IPv6 Addressing and Basic Connectivity” chapter in the *Cisco IOS IPv6 Configuration Library* on Cisco.com.

## DNS for IPv6

IPv6 supports Domain Name System (DNS) record types in the DNS name-to-address and address-to-name lookup processes. The DNS AAAA resource record types support IPv6 addresses and are equivalent to an A address record in IPv4. The switch supports DNS resolution for IPv4 and IPv6.

## Path MTU Discovery for IPv6 Unicast

The switch supports advertising the system maximum transmission unit (MTU) to IPv6 nodes and path MTU discovery. Path MTU discovery allows a host to dynamically discover and adjust to differences in the MTU size of every link along a given data path. In IPv6, if a link along the path is not large enough to accommodate the packet size, the source of the packet handles the fragmentation. The switch does not support path MTU discovery for multicast packets.

## ICMPv6

The Internet Control Message Protocol (ICMP) in IPv6 generates error messages, such as ICMP destination unreachable messages, to report errors during processing and other diagnostic functions. In IPv6, ICMP packets are also used in the neighbor discovery protocol and path MTU discovery.

## Neighbor Discovery

The switch supports NDP for IPv6, a protocol running on top of ICMPv6, and static neighbor entries for IPv6 stations that do not support NDP. The IPv6 neighbor discovery process uses ICMP messages and solicited-node multicast addresses to determine the link-layer address of a neighbor on the same network (local link), to verify the reachability of the neighbor, and to keep track of neighboring routers.

The switch supports ICMPv6 redirect for routes with mask lengths less than 64 bits. ICMP redirect is not supported for host routes or for summarized routes with mask lengths greater than 64 bits.

Neighbor discovery throttling ensures that the switch CPU is not unnecessarily burdened while it is in the process of obtaining the next hop forwarding information to route an IPv6 packet. The switch drops any additional IPv6 packets whose next hop is the same neighbor that the switch is actively trying to resolve. This drop avoids further load on the CPU.

## Default Router Preference

The switch supports IPv6 default router preference (DRP), an extension in router advertisement messages. DRP improves the ability of a host to select an appropriate router, especially when the host is multihomed and the routers are on different links. The switch does not support the Route Information Option in RFC 4191.

An IPv6 host maintains a default router list from which it selects a router for traffic to offlink destinations. The selected router for a destination is then cached in the destination cache. NDP for IPv6 specifies that routers that are reachable or probably reachable are preferred over routers whose reachability is unknown or suspect. For reachable or probably reachable routers, NDP can either select the same router every time or cycle through the router list. By using DRP, you can configure an IPv6 host to prefer one router over another, provided both are reachable or probably reachable.

For more information about DRP for IPv6, see the “Implementing IPv6 Addresses and Basic Connectivity” chapter in the *Cisco IOS IPv6 Configuration Library* on Cisco.com.

## IPv6 Stateless Autoconfiguration and Duplicate Address Detection

The switch uses stateless autoconfiguration to manage link, subnet, and site addressing changes, such as management of host and mobile IP addresses. A host autonomously configures its own link-local address, and booting nodes send router solicitations to request router advertisements for configuring interfaces.

For more information about autoconfiguration and duplicate address detection, see the “Implementing IPv6 Addressing and Basic Connectivity” chapter of *Cisco IOS IPv6 Configuration Library* on Cisco.com.

## IPv6 Applications

- Ping, traceroute, Telnet, TFTP, and FTP
- Secure Shell (SSH) over an IPv6 transport

- HTTP server access over IPv6 transport
- DNS resolver for AAAA over IPv4 transport
- Cisco Discovery Protocol (CDP) support for IPv6 addresses

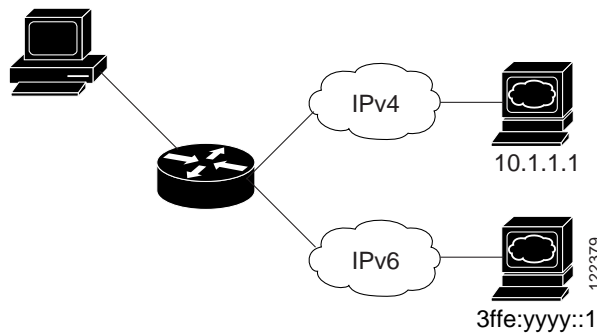
For more information about managing these applications, see the “Managing Cisco IOS Applications over IPv6” chapter and the “Implementing IPv6 Addressing and Basic Connectivity” chapter in the *Cisco IOS IPv6 Configuration Library* on Cisco.com.

## Dual IPv4 and IPv6 Protocol Stacks

You must use the dual IPv4 and IPv6 template to allocate hardware memory usage to both IPv4 and IPv6 protocols.

Figure 37-1 shows a router forwarding both IPv4 and IPv6 traffic through the same interface, based on the IP packet and destination addresses.

**Figure 37-1** Dual IPv4 and IPv6 Support on an Interface



Use the dual IPv4 and IPv6 switch database management (SDM) template to enable IPv6 routing dual stack environments (supporting both IPv4 and IPv6). For more information about the dual IPv4 and IPv6 SDM template, see Chapter 7, “Configuring SDM Templates.”

- If you try to configure IPv6 without first selecting a dual IPv4 and IPv6 template, a warning message appears.
- In IPv4-only environments, the switch routes IPv4 packets and applies IPv4 QoS and ACLs in hardware. IPv6 packets are not supported.
- In dual IPv4 and IPv6 environments, the switch routes both IPv4 and IPv6 packets and applies IPv4 QoS in hardware.
- IPv6 QoS is not supported.
- If you do not plan to use IPv6, do not use the dual stack template because it results in less hardware memory availability for each resource.

For more information about IPv4 and IPv6 protocol stacks, see the “Implementing IPv6 Addressing and Basic Connectivity” chapter of *Cisco IOS IPv6 Configuration Library* on Cisco.com.

## DHCP for IPv6 Address Assignment

DHCPv6 enables DHCP servers to pass configuration parameters, such as IPv6 network addresses, to IPv6 clients. The address assignment feature manages nonduplicate address assignment in the correct prefix based on the network where the host is connected. Assigned addresses can be from one or multiple

prefix pools. Additional options, such as default domain and DNS name-server address, can be passed back to the client. Address pools can be assigned for use on a specific interface, on multiple interfaces, or the server can automatically find the appropriate pool.

This document describes only the DHCPv6 address assignment. For more information about configuring the DHCPv6 client, server, or relay agent functions, see the “Implementing DHCP for IPv6” chapter in the *Cisco IOS IPv6 Configuration Library* on Cisco.com.

## Static Routes for IPv6

Static routes are manually configured and define an explicit route between two networking devices. Static routes are useful for smaller networks with only one path to an outside network or to provide security for certain types of traffic in a larger network.

For more information about static routes, see the “Implementing Static Routes for IPv6” chapter in the *Cisco IOS IPv6 Configuration Library* on Cisco.com.

## RIP for IPv6

Routing Information Protocol (RIP) for IPv6 is a distance-vector protocol that uses hop count as a routing metric. It includes support for IPv6 addresses and prefixes and the all-RIP-routers multicast group address FF02::9 as the destination address for RIP update messages.

For more information about RIP for IPv6, see the “Implementing RIP for IPv6” chapter in the *Cisco IOS IPv6 Configuration Library* on Cisco.com.

## OSPF for IPv6

The switch supports Open Shortest Path First (OSPF) for IPv6, a link-state protocol for IP. For more information, see the “Implementing OSPF for IPv6” chapter in the *Cisco IOS IPv6 Configuration Library* on Cisco.com.

## EIGRP IPv6

The switch supports Enhanced Interior Gateway Routing Protocol (EIGRP) for IPv6. It is configured on the interfaces on which it runs and does not require a global IPv6 address.

Before running, an instance of EIGRP IPv6 requires an implicit or explicit router ID. An implicit router ID is derived from a local IPv4 address, so any IPv4 node always has an available router ID. However, EIGRP IPv6 might be running in a network with only IPv6 nodes and therefore might not have an available IPv4 router ID.

For more information about EIGRP for IPv6, see the “Implementing EIGRP for IPv6” chapter in the *Cisco IOS IPv6 Configuration Library* on Cisco.com.

## Multiprotocol BGP for IPv6

Multiprotocol Border Gateway Protocol (BGP) is the supported exterior gateway protocol for IPv6. Multiprotocol BGP extensions for IPv6 support the same features and functionality as IPv4 BGP. IPv6 enhancements to multiprotocol BGP include support for IPv6 address family and network layer reachability information (NLRI) and next-hop (the next router in the path to the destination) attributes that use IPv6 addresses.

The switch does not support multicast BGP or non-stop forwarding (NSF) for IPv6 or for BGP IPv6.

For more information about configuring BGP for IPv6, see the “Implementing Multiprotocol BGP for IPv6” chapter in the *Cisco IOS IPv6 Configuration Guide* on Cisco.com.

## SNMP and Syslog Over IPv6

To support both IPv4 and IPv6, IPv6 network management requires both IPv6 and IPv4 transports. Syslog over IPv6 supports address data types for these transports.

SNMP and syslog over IPv6 provide these features:

- Support for both IPv4 and IPv6
- IPv6 transport for SNMP and to modify the SNMP agent to support traps for an IPv6 host
- SNMP- and syslog-related MIBs to support IPv6 addressing
- Configuration of IPv6 hosts as trap receivers

For support over IPv6, SNMP modifies the existing IP transport mapping to simultaneously support IPv4 and IPv6. These SNMP actions support IPv6 transport management:

- Opens User Datagram Protocol (UDP) SNMP socket with default settings
- Provides a new transport mechanism called *SR\_IPV6\_TRANSPORT*
- Sends SNMP notifications over IPv6 transport
- Supports SNMP-named access lists for IPv6 transport
- Supports SNMP proxy forwarding using IPv6 transport
- Verifies SNMP Manager feature works with IPv6 transport

For information on SNMP over IPv6, including configuration procedures, see the “Managing Cisco IOS Applications over IPv6” chapter in the *Cisco IOS IPv6 Configuration Guide* on Cisco.com.

For information about syslog over IPv6, including configuration procedures, see the “Implementing IPv6 Addressing and Basic Connectivity” chapter in the *Cisco IOS IPv6 Configuration Guide* on Cisco.com.

## HTTP(S) Over IPv6

The HTTP client sends requests to both IPv4 and IPv6 HTTP servers, which respond to requests from both IPv4 and IPv6 HTTP clients. URLs with literal IPv6 addresses must be specified in hexadecimal using 16-bit values between colons.

The accept socket call chooses an IPv4 or IPv6 address family. The accept socket is either an IPv4 or IPv6 socket. The listening socket waits for both IPv4 and IPv6 signals that indicate a connection. The IPv6 listening socket is bound to an IPv6 wildcard address.

The underlying TCP/IP stack supports a dual-stack environment. HTTP relies on the TCP/IP stack and the sockets for processing network-layer interactions.

Basic network connectivity (**ping**) must exist between the client and the server hosts before HTTP connections can be made.

For more information, see the “Managing Cisco IOS Applications over IPv6” chapter in the *Cisco IOS IPv6 Configuration Library* on Cisco.com.

## Unsupported IPv6 Unicast Routing Features

- IPv6 policy-based routing

- IPv6 virtual private network (VPN) routing and forwarding (VRF) table support
- Support for Intermediate System-to-Intermediate System (IS-IS) routing
- IPv6 packets destined to site-local addresses
- Tunneling protocols, such as IPv4-to-IPv6 or IPv6-to-IPv4
- The switch as a tunnel endpoint supporting IPv4-to-IPv6 or IPv6-to-IPv4 tunneling protocols
- IPv6 unicast reverse-path forwarding
- IPv6 general prefixes
- HSRP for IPv6

## Limitations

Because IPv6 is implemented in switch hardware, some limitations occur due to the IPv6 compressed addresses in the hardware memory. This results in some loss of functionality and some feature limitations.

- When using user-network interface (UNI) or enhanced network interface (ENI) ports for any IPv6-related features, you must first globally enable IP routing and IPv6 routing on the switch by entering the **ip routing** and **ipv6 unicast-routing** global configuration commands even if you are not using IPv6 routing.
- ICMPv6 redirect functionality is not supported for IPv6 host routes (routes used to reach a specific host) or for IPv6 routes with masks greater than 64 bits. The switch cannot redirect hosts to a better first-hop router for a specific destination that is reachable through a host route or through a route with masks greater than 64 bits.
- Load balancing using equal cost and unequal cost routes is not supported for IPv6 host routes or for IPv6 routes with a mask greater than 64 bits.
- The switch cannot forward SNAP-encapsulated IPv6 packets.




---

**Note** There is a similar limitation for IPv4 SNAP-encapsulated packets, but the packets are dropped at the switch.

---

- The switch routes IPv6-to-IPv4 and IPv4-to-IPv6 packets in hardware, but the switch cannot be an IPv6-to-IPv4 or IPv4-to-IPv6 tunnel endpoint.
- Bridged IPv6 packets with hop-by-hop extension headers are forwarded in software. In IPv4, these packets are routed in software but bridged in hardware.
- In addition to the normal SPAN and RSPAN limitations defined in the software configuration guide, these limitations are specific to IPv6 packets:
  - When you send RSPAN IPv6-routed packets, the source MAC address in the SPAN output packet might be incorrect.
  - When you send RSPAN IPv6-routed packets, the destination MAC address might be incorrect. Normal traffic is not affected.
- The switch cannot apply QoS classification or policy-based routing on source-routed IPv6 packets in hardware.
- The switch cannot generate ICMPv6 *Packet Too Big* messages for multicast packets.



# Configuring IPv6

- [Default IPv6 Configuration, page 37-9](#)
- [Configuring IPv6 Addressing and Enabling IPv6 Routing, page 37-9](#)
- [Configuring Default Router Preference, page 37-11](#)
- [Configuring IPv4 and IPv6 Protocol Stacks, page 37-12](#)
- [Configuring DHCP for IPv6 Address Assignment, page 37-14](#)
- [Configuring IPv6 ICMP Rate Limiting, page 37-17](#)
- [Configuring CEF for IPv6, page 37-18](#)
- [Configuring Static Routing for IPv6, page 37-18](#)
- [Configuring RIP for IPv6, page 37-20](#)
- [Configuring OSPF for IPv6, page 37-21](#)
- [Configuring EIGRP for IPv6, page 37-23](#)
- [Configuring BGP for IPv6, page 37-23](#)

## Default IPv6 Configuration

Table 37-1 shows the default IPv6 configuration.

**Table 37-1**      *Default IPv6 Configuration*

Feature	Default Setting
SDM template	Default.
IPv6 routing	Disabled globally and on all interfaces.
CEFv6	Disabled (IPv4 CEF is enabled by default). <b>Note</b> When IPv6 routing is enabled, CEFv6 is automatically enabled.
IPv6 addresses	None configured.

## Configuring IPv6 Addressing and Enabling IPv6 Routing

Follow these rules or limitations when configuring IPv6 on the switch:

- Be sure to select a dual IPv4 and IPv6 SDM template.
- Not all features discussed in this chapter are supported by the switch. See the [“Unsupported IPv6 Unicast Routing Features” section on page 37-7](#).
- In the **ipv6 address** interface configuration command, you must enter the *ipv6-address* and *ipv6-prefix* variables with the address specified in hexadecimal using 16-bit values between colons. The *prefix-length* variable (preceded by a slash [/]) is a decimal value that shows how many of the high-order contiguous bits of the address comprise the prefix (the network portion of the address).

To forward IPv6 traffic on an interface, you must configure a global IPv6 address on that interface. Configuring an IPv6 address on an interface automatically configures a link-local address and activates IPv6 for the interface. The configured interface automatically joins these required multicast groups for that link:

- solicited-node multicast group FF02:0:0:0:1:ff00::/104 for each unicast address assigned to the interface (the address for the neighbor discovery process.)
- all-nodes link-local multicast group FF02::1
- all-routers link-local multicast group FF02::2

For more information about configuring IPv6 routing, see the “Implementing Addressing and Basic Connectivity for IPv6” chapter in the *Cisco IOS IPv6 Configuration Library* on Cisco.com.

Beginning in privileged EXEC mode, follow these steps to assign an IPv6 address to a Layer 3 interface and enable IPv6 routing:

	Command	Purpose
Step 1	<b>configure terminal</b>	Enter global configuration mode.
Step 2	<b>sdm prefer dual-ipv4-and-ipv6 {default   routing   vlan }</b>	Select an SDM template that supports IPv4 and IPv6. <ul style="list-style-type: none"> <li>• <b>default</b>—Set the switch to the default template to balance system resources.</li> <li>• <b>routing</b>—Set the switch to the routing template to support IPv4 and IPv6 routing, including IPv4 policy-based routing.</li> <li>• <b>vlan</b>—Maximize VLAN configuration on the switch with no routing supported in hardware.</li> </ul>
Step 3	<b>end</b>	Return to privileged EXEC mode.
Step 4	<b>reload</b>	Reload the operating system.
Step 5	<b>configure terminal</b>	Enter global configuration mode.
Step 6	<b>interface interface-id</b>	Enter interface configuration mode, and specify the Layer 3 interface to configure. The interface can be a physical interface, a switch virtual interface (SVI), or a Layer 3 EtherChannel.
Step 7	<b>no switchport</b>	Remove the interface from Layer 2 configuration mode (if it is a physical interface).
Step 8	<b>ipv6 address ipv6-prefix/prefix length eui-64</b>  or <b>ipv6 address ipv6-address link-local</b>  or <b>ipv6 enable</b>	Specify a global IPv6 address with an extended unique identifier (EUI) in the low-order 64 bits of the IPv6 address. Specify only the network prefix; the last 64 bits are automatically computed from the switch MAC address. This enables IPv6 processing on the interface.  Specify a link-local address on the interface to be used instead of the link-local address that is automatically configured when IPv6 is enabled on the interface. This command enables IPv6 processing on the interface.  Automatically configure an IPv6 link-local address on the interface, and enable the interface for IPv6 processing. The link-local address can only be used to communicate with nodes on the same link.
Step 9	<b>exit</b>	Return to global configuration mode.

	Command	Purpose
Step 10	<b>ip routing</b>	Enable IP routing on the switch.
Step 11	<b>ipv6 unicast-routing</b>	Enable forwarding of IPv6 unicast data packets.
Step 12	<b>end</b>	Return to privileged EXEC mode.
Step 13	<b>show ipv6 interface interface-id</b>	Verify your entries.
Step 14	<b>copy running-config startup-config</b>	(Optional) Save your entries in the configuration file.

To remove an IPv6 address from an interface, use the **no ipv6 address ipv6-prefix/prefix length eui-64** or **no ipv6 address ipv6-address link-local** interface configuration command. To remove all manually configured IPv6 addresses from an interface, use the **no ipv6 address** interface configuration command without arguments. To disable IPv6 processing on an interface that has not been explicitly configured with an IPv6 address, use the **no ipv6 enable** interface configuration command. To globally disable IPv6 routing, use the **no ipv6 unicast-routing** global configuration command.

This example shows how to enable IPv6 with both a link-local address and a global address based on the IPv6 prefix 2001:0DB8:c18:1::/64. The EUI-64 interface ID is used in the low-order 64 bits of both addresses. Output from the **show ipv6 interface EXEC** command is included to show how the interface ID (20B:46FF:FE2F:D940) is appended to the link-local prefix FE80::/64 of the interface.

```
Switch(config)# sdm prefer dual-ipv4-and-ipv6 default
Switch(config)# ipv6 unicast-routing
Switch(config)# interface gigabitethernet0/2
Switch(config-if)# no switchport
Switch(config-if)# ipv6 address 2001:0DB8:c18:1::/64 eui 64
Switch(config-if)# end
Switch# show ipv6 interface gigabitethernet0/11
GigabitEthernet0/2 is up, line protocol is up
  IPv6 is enabled, link-local address is FE80::20B:46FF:FE2F:D940
  Global unicast address(es):
    2001:0DB8:c18:1:20B:46FF:FE2F:D940, subnet is 2001:0DB8:c18:1::/64 [EUI]
  Joined group address(es):
    FE02::1
    FE02::2
    FE02::1:FF2F:D940
  MTU is 1500 bytes
  ICMP error messages limited to one every 100 milliseconds
  ICMP redirects are enabled
  ND DAD is enabled, number of DAD attempts: 1
  ND reachable time is 30000 milliseconds
  ND advertised reachable time is 0 milliseconds
  ND advertised retransmit interval is 0 milliseconds
  ND router advertisements are sent every 200 seconds
  ND router advertisements live for 1800 seconds
  Hosts use stateless autoconfig for addresses.
```

## Configuring Default Router Preference

Router advertisement messages are sent with the default router preference (DRP) configured by the **ipv6 nd router-preference** interface configuration command. If no DRP is configured, router advertisements are sent with a medium preference.

A DRP is useful when two routers on a link might provide equivalent, but not equal-cost routing, and policy might dictate that hosts should prefer one of the routers.

Beginning in privileged EXEC mode, follow these steps to configure a DRP for a router on an interface.

	Command	Purpose
Step 1	<b>configure terminal</b>	Enter global configuration mode.
Step 2	<b>interface</b> <i>interface-id</i>	Enter interface configuration mode, and enter the Layer 3 interface on which you want to specify the DRP.
Step 3	<b>ipv6 nd router-preference</b> { <b>high</b>   <b>medium</b>   <b>low</b> }	Specify a DRP for the router on the switch interface.
Step 4	<b>end</b>	Return to privileged EXEC mode.
Step 5	<b>show ipv6 interface</b>	Verify the configuration.
Step 6	<b>copy running-config startup-config</b>	(Optional) Save your entries in the configuration file.

Use the **no ipv6 nd router-preference** interface configuration command to disable an IPv6 DRP.

This example shows how to configure a DRP of *high* for the router on an interface.

```
Switch# configure terminal
Switch(config)# interface gigabitethernet0/1
Switch(config-if)# ipv6 nd router-preference high
Switch(config-if)# end
```

For more information about configuring DRP for IPv6, see the “Implementing IPv6 Addresses and Basic Connectivity” chapter in the *Cisco IOS IPv6 Configuration Library* on Cisco.com.

## Configuring IPv4 and IPv6 Protocol Stacks

Before configuring IPv6 routing, you must select an SDM template that supports IPv4 and IPv6. If not already configured, use the **sdm prefer dual-ipv4-and-ipv6** { **default** | **routing** | **vlan** } **global** configuration command to configure a template that supports IPv6. When you select a new template, you must reload the switch by using the **reload** privileged EXEC command so that the template takes effect.

Beginning in privileged EXEC mode, follow these steps to configure a Layer 3 interface to support both IPv4 and IPv6 and to enable IPv6 routing.

	Command	Purpose
Step 1	<b>configure terminal</b>	Enter global configuration mode.
Step 2	<b>sdm prefer dual-ipv4-and-ipv6</b> { <b>default</b>   <b>routing</b>   <b>vlan</b> }	Select an SDM template that supports IPv4 and IPv6. <ul style="list-style-type: none"> <li>• <b>default</b>—Set the switch to the default template to balance system resources.</li> <li>• <b>routing</b>—Set the switch to the routing template to support IPv4 and IPv6 routing, including IPv4 policy-based routing.</li> <li>• <b>vlan</b>—Maximize VLAN configuration on the switch with no routing supported in hardware.</li> </ul>
Step 3	<b>end</b>	Return to privileged EXEC mode.
Step 4	<b>reload</b>	Reload the operating system.
Step 5	<b>configure terminal</b>	Enter global configuration mode.
Step 6	<b>ip routing</b>	Enable IPv4 routing on the switch.

	Command	Purpose
Step 7	<b>ipv6 unicast-routing</b>	Enable forwarding of IPv6 data packets on the switch.
Step 8	<b>interface</b> <i>interface-id</i>	Enter interface configuration mode, and specify the Layer 3 interface to configure.
Step 9	<b>no switchport</b>	Remove the interface from Layer 2 configuration mode (if it is a physical interface).
Step 10	<b>ip address</b> <i>ip-address mask</i> [ <b>secondary</b> ]	Specify a primary or secondary IPv4 address for the interface.
Step 11	<b>ipv6 address</b> <i>ipv6-prefix/prefix length eui-64</i>  or <b>ipv6 address</b> <i>ipv6-address link-local</i>  or <b>ipv6 enable</b>	Specify a global IPv6 address. Specify only the network prefix; the last 64 bits are automatically computed from the switch MAC address.  Specify a link-local address on the interface to be used instead of the automatically configured link-local address when IPv6 is enabled on the interface.  Automatically configure an IPv6 link-local address on the interface, and enable the interface for IPv6 processing. The link-local address can only be used to communicate with nodes on the same link.
Step 12	<b>end</b>	Return to privileged EXEC mode.
Step 13	<b>show interface</b> <i>interface-id</i>  <b>show ip interface</b> <i>interface-id</i>  <b>show ipv6 interface</b> <i>interface-id</i>	Verify your entries.
Step 14	<b>copy running-config startup-config</b>	(Optional) Save your entries in the configuration file.

To disable IPv4 routing, use the **no ip routing** global configuration command. To disable IPv6 routing, use the **no ipv6 unicast-routing** global configuration command. To remove an IPv4 address from an interface, use the **no ip address *ip-address mask*** interface configuration command. To remove an IPv6 address from an interface, use the **no ipv6 address *ipv6-prefix/prefix length eui-64*** or **no ipv6 address *ipv6-address link-local*** interface configuration command. To remove all manually configured IPv6 addresses from an interface, use the **no ipv6 address** interface configuration command without arguments. To disable IPv6 processing on an interface that has not been explicitly configured with an IPv6 address, use the **no ipv6 enable** interface configuration command.

This example shows how to enable IPv4 and IPv6 routing on an interface.

```
Switch(config)# sdm prefer dual-ipv4-and-ipv6 default
Switch(config)# ip routing
Switch(config)# ipv6 unicast-routing
Switch(config)# interface gigabitethernet0/2
Switch(config-if)# no switchport
Switch(config-if)# ip address 192.168.99.1 244.244.244.0
Switch(config-if)# ipv6 address 2001:0DB8:c18:1::/64 eui 64
Switch(config-if)# end
```

## Configuring DHCP for IPv6 Address Assignment

- [Default DHCPv6 Address Assignment Configuration, page 37-14](#)
- [DHCPv6 Address Assignment Configuration Guidelines, page 37-14](#)
- [Enabling the DHCPv6 Server Function, page 37-15](#)
- [Enabling the DHCPv6 Client Function, page 37-17](#)

### Default DHCPv6 Address Assignment Configuration

By default, no Dynamic Host Configuration Protocol for IPv6 (DHCPv6) features are configured on the switch.

### DHCPv6 Address Assignment Configuration Guidelines

When configuring a DHCPv6 address assignment, consider these guidelines:

- In the procedures, the specified interface must be one of these Layer 3 interfaces:
  - DHCPv6 IPv6 routing must be enabled on a Layer 3 interface.
  - SVI: a VLAN interface created by using the **interface *vlan* *vlan\_id*** command.
  - EtherChannel port channel in Layer 3 mode: a port-channel logical interface created by using the **interface *port-channel* *port-channel-number*** command.
- Before configuring DHCPv6, you must select a Switch Database Management (SDM) template that supports IPv4 and IPv6.
- The switch can act as a DHCPv6 client, server, or relay agent. The DHCPv6 client, server, and relay function are mutually exclusive on an interface.

## Enabling the DHCPv6 Server Function

Beginning in privileged EXEC mode, follow these steps to enable the DHCPv6 server function on an interface.

	Command	Purpose
Step 1	<b>configure terminal</b>	Enter global configuration mode.
Step 2	<b>ipv6 dhcp pool</b> <i>poolname</i>	Enter DHCP pool configuration mode, and define the name for the IPv6 DHCP pool. The pool name can be a symbolic string (such as Engineering) or an integer (such as 0).
Step 3	<b>address prefix</b> <i>IPv6-prefix</i> <b>lifetime</b> { <i>t1 t1</i>   <b>infinite</b> }	(Optional) Specify an address prefix for address assignment.  This address must be in hexadecimal, using 16-bit values between colons.  <b>lifetime</b> <i>t1 t1</i> —Specify a time interval (in seconds) that an IPv6 address prefix remains in the valid state. The range is 5 to 4294967295 seconds. Specify <b>infinite</b> for no time interval.
Step 4	<b>link-address</b> <i>IPv6-prefix</i>	(Optional) Specify a link-address IPv6 prefix.  When an address on the incoming interface or a link-address in the packet matches the specified IPv6 prefix, the server uses the configuration information pool.  This address must be in hexadecimal, using 16-bit values between colons.
Step 5	<b>vendor-specific</b> <i>vendor-id</i>	(Optional) Enter vendor-specific configuration mode, and enter a vendor-specific identification number. This number is the vendor IANA Private Enterprise Number. The range is 1 to 4294967295.
Step 6	<b>suboption</b> <i>number</i> { <b>address</b> <i>IPv6-address</i>   <b>ascii</b> <i>ASCII-string</i>   <b>hex</b> <i>hex-string</i> }	(Optional) Enter a vendor-specific suboption number. The range is 1 to 65535. Enter an IPv6 address, ASCII text, or a hex string as defined by the suboption parameters.
Step 7	<b>exit</b>	Return to DHCP pool configuration mode.
Step 8	<b>exit</b>	Return to global configuration mode.
Step 9	<b>interface</b> <i>interface-id</i>	Enter interface configuration mode, and specify the interface to configure.

	Command	Purpose
Step 10	<b>ipv6 dhcp server</b> [ <i>poolname</i>   <b>automatic</b> ] <b>[rapid-commit]</b> [ <b>preference</b> <i>value</i> ] [ <b>allow-hint</b> ]	Enable the DHCPv6 server function on an interface. <ul style="list-style-type: none"> <li>• <i>poolname</i>—(Optional) User-defined name for the IPv6 DHCP pool. The pool name can be a symbolic string (such as Engineering) or an integer (such as 0).</li> <li>• <b>automatic</b>—(Optional) Enables the system to automatically determine which pool to use when allocating addresses for a client.</li> <li>• <b>rapid-commit</b>—(Optional) Allow two-message exchange method.</li> <li>• <b>preference</b> <i>value</i>—(Optional) The preference value carried in the preference option in the advertise message sent by the server. The range is from 0 to 255. The preference value default is 0.</li> <li>• <b>allow-hint</b>—(Optional) Specifies whether the server should consider client suggestions in the SOLICIT message. By default, the server ignores client hints.</li> </ul>
Step 11	<b>end</b>	Return to privileged EXEC mode.
Step 12	<b>show ipv6 dhcp pool</b> or <b>show ipv6 dhcp interface</b>	Verify DHCPv6 pool configuration.  Verify that the DHCPv6 server function is enabled on an interface.
Step 13	<b>copy running-config startup-config</b>	(Optional) Save your entries in the configuration file.

To delete a DHCPv6 pool, use the **no ipv6 dhcp pool** *poolname* global configuration command. Use the **no** form of the DHCP pool configuration mode commands to change the DHCPv6 pool characteristics. To disable the DHCPv6 server function on an interface, use the **no ipv6 dhcp server** interface configuration command.

This example shows how to configure a pool called *engineering* with an IPv6 address prefix:

```
Switch# configure terminal
Switch(config)# ipv6 dhcp pool engineering
Switch(config-dhcpv6)# address prefix 2001:1000::0/64
Switch(config-dhcpv6)# end
```

This example shows how to configure a pool called *testgroup* with three link-addresses and an IPv6 address prefix:

```
Switch# configure terminal
Switch(config)# ipv6 dhcp pool testgroup
Switch(config-dhcpv6)# link-address 2001:1001::0/64
Switch(config-dhcpv6)# link-address 2001:1002::0/64
Switch(config-dhcpv6)# link-address 2001:2000::0/48
Switch(config-dhcpv6)# address prefix 2001:1003::0/64
Switch(config-dhcpv6)# end
```

This example shows how to configure a pool called *350* with vendor-specific options:

```
Switch# configure terminal
Switch(config)# ipv6 dhcp pool 350
Switch(config-dhcpv6)# address prefix 2001:1005::0/48
Switch(config-dhcpv6)# vendor-specific 9
```



```
Switch(config-dhcpv6-vs)# suboption 1 address 1000:235D::1
Switch(config-dhcpv6-vs)# suboption 2 ascii "IP-Phone"
Switch(config-dhcpv6-vs)# end
```

## Enabling the DHCPv6 Client Function

Beginning in privileged EXEC mode, follow these steps to enable the DHCPv6 client function on an interface.

	Command	Purpose
Step 1	<b>configure terminal</b>	Enter global configuration mode.
Step 2	<b>interface</b> <i>interface-id</i>	Enter interface configuration mode, and specify the interface to configure.
Step 3	<b>ipv6 address dhcp</b> [ <b>rapid-commit</b> ]	Enable the interface to acquire an IPv6 address from the DHCPv6 server.  <b>rapid-commit</b> —(Optional) Allow two-message exchange method for address assignment.
Step 4	<b>ipv6 dhcp client request</b> [ <b>vendor-specific</b> ]	(Optional) Enable the interface to request the vendor-specific option.
Step 5	<b>end</b>	Return to privileged EXEC mode.
Step 6	<b>show ipv6 dhcp interface</b>	Verify that the DHCPv6 client is enabled on an interface.

To disable the DHCPv6 client function, use the **no ipv6 address dhcp** interface configuration command. To remove the DHCPv6 client request, use the **no ipv6 address dhcp client request** interface configuration command.

This example shows how to acquire an IPv6 address and to enable the rapid-commit option:

```
Switch(config)# interface gigabitethernet0/1
Switch(config-if)# ipv6 address dhcp rapid-commit
```

This document describes only the DHCPv6 address assignment. For more information about configuring the DHCPv6 client, server, or relay agent functions, see the “Implementing DHCP for IPv6” chapter in the *Cisco IOS IPv6 Configuration Library* on Cisco.com.

## Configuring IPv6 ICMP Rate Limiting

ICMP rate limiting is enabled by default with a default interval between error messages of 100 milliseconds and a bucket size (maximum number of tokens to be stored in a bucket) of 10.

Beginning in privileged EXEC mode, follow these steps to change the ICMP rate-limiting parameters:

	Command	Purpose
Step 1	<b>configure terminal</b>	Enter global configuration mode.
Step 2	<b>ipv6 icmp error-interval</b> <i>interval</i> [ <i>bucketsize</i> ]	Configure the interval and bucket size for IPv6 ICMP error messages: <ul style="list-style-type: none"> <li><i>interval</i>—The interval (in milliseconds) between tokens being added to the bucket. The range is from 0 to 2147483647 milliseconds.</li> <li><i>bucketsize</i>—(Optional) The maximum number of tokens stored in the bucket. The range is from 1 to 200.</li> </ul>
Step 3	<b>end</b>	Return to privileged EXEC mode.
Step 4	<b>show ipv6 interface</b> [ <i>interface-id</i> ]	Verify your entries.
Step 5	<b>copy running-config startup-config</b>	(Optional) Save your entries in the configuration file.

To return to the default configuration, use the **no ipv6 icmp error-interval** global configuration command.

This example shows how to configure an IPv6 ICMP error message interval of 50 milliseconds and a bucket size of 20 tokens.

```
Switch(config)#ipv6 icmp error-interval 50 20
```

## Configuring CEF for IPv6

Cisco Express Forwarding (CEF) is a Layer 3 IP switching technology, allowing more CPU processing power to be dedicated to packet forwarding. IPv4 CEF is enabled by default. IPv6 CEF is disabled by default, but automatically enabled when you configure IPv6 routing.

To route IPv6 unicast packets, first globally configure forwarding of IPv6 unicast packets by using the **ipv6 unicast-routing** global configuration command. You must also configure an IPv6 address and IPv6 processing on an interface by using the **ipv6 address** interface configuration command.

To disable IPv6 CEF, use the **no ipv6 cef** global configuration command. To reenabling IPv6 CEF, use the **ipv6 cef** global configuration command. You can verify the IPv6 state by entering the **show ipv6 cef** privileged EXEC command.

For more information about configuring CEF, see the “Implementing IPv6 Addressing and Basic Connectivity” chapter in the *Cisco IOS IPv6 Configuration Library* on Cisco.com.

## Configuring Static Routing for IPv6

Before configuring a static IPv6 route, you must:

- Enable routing by using the **ip routing** global configuration command.
- Enable the forwarding of IPv6 packets by using the **ipv6 unicast-routing** global configuration command.
- Enable IPv6 on at least one Layer 3 interface by configuring an IPv6 address on the interface.

Beginning in privileged EXEC mode, follow these steps to configure an IPv6 static route:

	Command	Purpose
Step 1	<b>configure terminal</b>	Enter global configuration mode.
Step 2	<b>ipv6 route</b> <i>ipv6-prefix/prefix length</i> { <i>ipv6-address</i> / <i>interface-id</i> [ <i>ipv6-address</i> ]} [ <i>administrative distance</i> ]	<p>Configure a static IPv6 route.</p> <ul style="list-style-type: none"> <li>• <i>ipv6-prefix</i>—The IPv6 network that is the destination of the static route. It can also be a hostname when static host routes are configured.</li> <li>• <i>/prefix length</i>—The length of the IPv6 prefix. A decimal value that shows how many of the high-order contiguous bits comprise the prefix (the network portion of the address). A slash mark must precede the decimal value.</li> <li>• <i>ipv6-address</i>—The IPv6 address of the next hop that can be used to reach the specified network. The next hop does not need to be directly connected; recursion finds the IPv6 address of the directly connected next hop. The address must be specified in hexadecimal using 16-bit values between colons.</li> <li>• <i>interface-id</i>—Specify direct static routes from point-to-point and broadcast interfaces. On point-to-point interfaces, you do not need to specify the IPv6 address of the next hop. On broadcast interfaces, you should always specify the IPv6 address of the next hop, or ensure that the specified prefix is assigned to the link, specifying a link-local address as the next hop. You can optionally specify the IPv6 address of the next hop to which packets are sent.</li> </ul> <p><b>Note</b> You must specify an <i>interface-id</i> when using a link-local address as the next hop. The link-local next hop must be an adjacent router.</p> <ul style="list-style-type: none"> <li>• <i>administrative distance</i>—(Optional) An administrative distance. The range is 1 to 254; the default value is 1, which gives static routes precedence over all but connected routes. To configure a floating static route, use an administrative distance greater than that of the dynamic routing protocol.</li> </ul>
Step 3	<b>end</b>	Return to privileged EXEC mode.
Step 4	<b>show ipv6 static</b> [ <i>ipv6-address</i> / <i>ipv6-prefix/prefix length</i> ] [ <b>interface</b> <i>interface-id</i> ] [ <b>recursive</b> ] [ <b>detail</b> ]	<p>Verify your entries by displaying the IPv6 routing table.</p> <ul style="list-style-type: none"> <li>• <b>interface</b> <i>interface-id</i>—(Optional) Display only those static routes with the specified interface as an egress interface.</li> <li>• <b>recursive</b>—(Optional) Display only recursive static routes. The <b>recursive</b> keyword is mutually exclusive with the <b>interface</b> keyword, but it can be used with or without the IPv6 prefix in the command syntax.</li> <li>• <b>detail</b>—(Optional) Display this additional information: <ul style="list-style-type: none"> <li>– For valid recursive routes, the output path set, and maximum resolution depth.</li> <li>– For invalid routes, the reason why the route is not valid.</li> </ul> </li> </ul>
	or  <b>show ipv6 route static</b> [ <i>updated</i> ]	
Step 5	<b>copy running-config startup-config</b>	(Optional) Save your entries in the configuration file.

To remove a configured static route, use the **no ipv6 route** *ipv6-prefix/prefix length* {*ipv6-address* / *interface-id* [*ipv6-address*]} [*administrative distance*] global configuration command.

This example shows how to configure a floating static route to an interface. The route has an administrative distance of 130:

```
Switch(config)# ipv6 route 2001:0DB8::/32 gigabitethernet0/1 130
```

For more information about configuring static IPv6 routing, see the “Implementing Static Routes for IPv6” chapter in the *Cisco IOS IPv6 Configuration Library* on Cisco.com.

## Configuring RIP for IPv6

Before configuring the switch to run IPv6 RIP, you must:

- Enable routing by using the **ip routing** global configuration command.
- Enable the forwarding of IPv6 packets by using the **ipv6 unicast-routing** global configuration command.
- Enable IPv6 on any Layer 3 interfaces on which IPv6 RIP is to be enabled.

Beginning in privileged EXEC mode, follow these required and optional steps to configure IPv6 RIP:

	Command	Purpose
Step 1	<b>configure terminal</b>	Enter global configuration mode.
Step 2	<b>ipv6 router rip</b> <i>name</i>	Configure an IPv6 RIP routing process, and enter router configuration mode for the process.
Step 3	<b>maximum-paths</b> <i>number-paths</i>	(Optional) Define the maximum number of equal-cost routes that IPv6 RIP can support. The range is from 1 to 64, and the default is 4 routes.
Step 4	<b>exit</b>	Return to global configuration mode.
Step 5	<b>interface</b> <i>interface-id</i>	Enter interface configuration mode, and specify the Layer 3 interface to configure.
Step 6	<b>ipv6 rip</b> <i>name</i> <b>enable</b>	Enable the specified IPv6 RIP routing process on the interface.
Step 7	<b>ipv6 rip</b> <i>name</i> <b>default-information</b> { <b>only</b>   <b>originate</b> }	<p>(Optional) Originate the IPv6 default route (::/0) into the RIP routing process updates sent from the specified interface.</p> <p><b>Note</b> To avoid routing loops after the IPv6 default route (::/0) is originated from any interface, the routing process ignores all default routes received on any interface.</p> <ul style="list-style-type: none"> <li>• <b>only</b>—Select to originate the default route, but suppress all other routes in the updates sent on this interface.</li> <li>• <b>originate</b>—Select to originate the default route in addition to all other routes in the updates sent on this interface.</li> </ul>
Step 8	<b>end</b>	Return to privileged EXEC mode.

	Command	Purpose
Step 9	<b>show ipv6 rip</b> [ <i>name</i> ] [ <b>interface</b> <i>interface-id</i> ] [ <b>database</b> ] [ <b>next-hops</b> ]  or <b>show ipv6 route rip</b> [ <i>updated</i> ]	Display information about current IPv6 RIP processes.  Display the current contents of the IPv6 routing table.
Step 10	<b>copy running-config startup-config</b>	(Optional) Save your entries in the configuration file.

To disable a RIP routing process, use the **no ipv6 router rip** *name* global configuration command. To disable the RIP routing process for an interface, use the **no ipv6 rip** *name* interface configuration command.

This example shows how to enable the RIP routing process *cisco* with a maximum of eight equal-cost routes and to enable it on an interface:

```
Switch(config)# ipv6 router rip cisco
Switch(config-router)# maximum-paths 8
Switch(config)# exit
Switch(config)# interface gigabitethernet0/3
Switch(config-if)# ipv6 rip cisco enable
```

For more information about configuring RIP routing for IPv6, see the “Implementing RIP for IPv6” chapter in the *Cisco IOS IPv6 Configuration Library* on Cisco.com

## Configuring OSPF for IPv6

You can customize OSPF for IPv6 for your network. However, the defaults are set to meet the requirements of most customers and features.

Follow these guidelines:

- Be careful when changing the defaults for IPv6 commands. Doing so might adversely affect OSPF for the IPv6 network.
- Before you enable IPv6 OSPF on an interface, you must:
  - Enable routing by using the **ip routing** global configuration command.
  - Enable the forwarding of IPv6 packets by using the **ipv6 unicast-routing** global configuration command.
  - Enable IPv6 on Layer 3 interfaces on which you are enabling IPv6 OSPF.

Beginning in privileged EXEC mode, follow these required and optional steps to configure IPv6 OSPF:

	Command	Purpose
Step 1	<b>configure terminal</b>	Enter global configuration mode.
Step 2	<b>ipv6 router ospf</b> <i>process-id</i>	Enable OSPF router configuration mode for the process. The process ID is the number assigned administratively when enabling the OSPF for IPv6 routing process. It is locally assigned and can be a positive integer from 1 to 65535.

	Command	Purpose
Step 3	<b>area</b> <i>area-id</i> <b>range</b> { <i>ipv6-prefix/prefix length</i> } [ <b>advertise</b>   <b>not-advertise</b> ] [ <b>cost</b> <i>cost</i> ]	(Optional) Consolidate and summarize routes at an area boundary. <ul style="list-style-type: none"> <li>• <i>area-id</i>—Identifier of the area about which routes are to be summarized. It can be specified as either a decimal value or as an IPv6 prefix.</li> <li>• <i>ipv6-prefix/prefix length</i>—The destination IPv6 network and a decimal value that shows how many of the high-order contiguous bits of the address comprise the prefix (the network portion of the address). A slash mark (/) must precede the decimal value.</li> <li>• <b>advertise</b>—(Optional) Set the address range status to advertise and to generate a Type 3 summary link-state advertisement (LSA).</li> <li>• <b>not-advertise</b>—(Optional) Set the address range status to DoNotAdvertise. The Type 3 summary LSA is suppressed, and component networks remain hidden from other networks.</li> <li>• <b>cost</b> <i>cost</i>—(Optional) Metric or cost for this summary route, which is used during OSPF SPF calculation to determine the shortest paths to the destination. The value can be 0 to 16777215.</li> </ul>
Step 4	<b>maximum paths</b> <i>number-paths</i>	(Optional) Define the maximum number of equal-cost routes to the same destination that IPv6 OSPF should enter in the routing table. The range is from 1 to 64, and the default is 16 paths.
Step 5	<b>exit</b>	Return to global configuration mode.
Step 6	<b>interface</b> <i>interface-id</i>	Enter interface configuration mode, and specify the Layer 3 interface to configure.
Step 7	<b>ipv6 ospf</b> <i>process-id</i> <b>area</b> <i>area-id</i> [ <b>instance</b> <i>instance-id</i> ]	Enable OSPF for IPv6 on the interface. <ul style="list-style-type: none"> <li>• <b>instance</b> <i>instance-id</i>—(Optional) Instance identifier.</li> </ul>
Step 8	<b>end</b>	Return to privileged EXEC mode.
Step 9	<b>show ipv6 ospf</b> [ <i>process-id</i> ] [ <i>area-id</i> ] <b>interface</b> [ <i>interface-id</i> ]  or <b>show ipv6 ospf</b> [ <i>process-id</i> ] [ <i>area-id</i> ]	Display information about OSPF interfaces.  Display general information about OSPF routing processes.
Step 10	<b>copy running-config startup-config</b>	(Optional) Save your entries in the configuration file.

To disable an OSPF routing process, use the no **ipv6 router ospf** *process-id* global configuration command. To disable the OSPF routing process for an interface, use the no **ipv6 ospf** *process-id* **area** *area-id* interface configuration command.

For more information about configuring OSPF routing for IPv6, see the “Implementing OSPF for IPv6” chapter in the *Cisco IOS IPv6 Configuration Library* on Cisco.com.

## Configuring EIGRP for IPv6

By default, EIGRP for IPv6 is disabled. You can configure EIGRP for IPv6 on an interface. After configuring the router and the interface for EIGRP, enter the **no shutdown** privileged EXEC command to start EIGRP.



### Note

If EIGRP for IPv6 is not in shutdown mode, EIGRP might start running before you enter the EIRGP router-mode commands to configure the router and the interface.

To set an explicit router ID, use the **show ipv6 eigrp** command to see the configured router IDs, and then use the **router-id** command.

As with EIGRP IPv4, you can use EIGRPv6 to specify your EIGRP IPv4 interfaces and to select a subset of those as passive interfaces. Use the **passive-interface default** command to make all interfaces passive, and then use the **no passive-interface** command on selected interfaces to make them active. EIGRP IPv6 does not need to be configured on a passive interface.

For more configuration procedures, see the “Implementing EIGRP for IPv6” chapter in the *Cisco IOS IPv6 Configuration Library* on Cisco.com.

## Configuring BGP for IPv6

When configuring multiprotocol BGP extensions for IPv6, you must create the BGP routing process, configure peering relationships, and customize BGP for your particular network. Note that BGP functions the same in IPv6 as in IPv4. Before configuring the router to run BGP for IPv6, you must use the **ipv6 unicast-routing** command to globally enable IPv6 routing.

Beginning in privileged EXEC mode, follow these steps to configure IPv6 BGP:

	Command	Purpose
Step 1	<b>configure terminal</b>	Enter global configuration mode.
Step 2	<b>router bgp</b> <i>as-number</i>	Configure a BGP routing process, and enter BGP router configuration mode for the autonomous system number.
Step 3	<b>no bgp default ipv4-unicast</b>	Disable the IPv4 unicast address family for the BGP routing process specified in the previous step.  Routing information for the IPv4 unicast address family is advertised by default for each BGP routing session unless you enter this command before configuring the <b>neighbor remote-as</b> command.
Step 4	<b>bgp router-id</b> <i>ip-address</i>	(Optional) Configure a fixed 32-bit router ID as the identifier of the local router running BGP. By default, the router ID is the IPv4 address of a router loopback interface. On a router enabled only for IPv6 (no IPv4 address), you must manually configure the BGP router ID.  <b>Note</b> Configuring a router ID by using this command resets all active BGP peering sessions.

	Command	Purpose
Step 5	<b>neighbor</b> { <i>ip-address</i>   <i>ipv6-address</i> [%] <i>interface-type interface-number</i>   <i>peer-group-name</i> } <b>remote-as</b> <i>as-number</i>	Add the IPv6 address of the neighbor in the specified autonomous system to the IPv6 multiprotocol BGP neighbor table of the local router.  <b>Note</b> The <i>ipv6-address</i> must be in hexadecimal, using 16-bit values between colons.
Step 6	<b>address-family ipv6</b>	Specify the IPv6 address family and enter address family configuration mode
Step 7	<b>neighbor</b> { <i>ip-address</i>   <i>peer-group-name</i>   <i>ipv6-address</i> } <b>activate</b>	Enable the neighbor to exchange prefixes for the IPv6 address family with the local router.
Step 8	<b>end</b>	Return to privileged EXEC mode.
Step 9	<b>show bgp ipv6</b>	Display information about IPv6 BGP configuration.
Step 10	<b>copy running-config startup-config</b>	(Optional) Save your entries in the configuration file.

For more configuration procedures, see the “Implementing Multiprotocol BGP for IPv6” chapter in the *Cisco IOS IPv6 Configuration Guide* on Cisco.com.

[http://www.cisco.com/en/US/docs/ios/ipv6/configuration/guide/12\\_4/ipv6\\_12\\_4\\_book.html](http://www.cisco.com/en/US/docs/ios/ipv6/configuration/guide/12_4/ipv6_12_4_book.html)

The switch does not support multicast IPv6 BGP, nonstop forwarding (NSF) for IPv6 BGP, 6PE multipath (EoMPLS), or IPv6 VRF.

## Displaying IPv6

For complete syntax and usage information on these commands, see the Cisco IOS command reference publications.

**Table 37-2** Commands for Monitoring IPv6

Command	Purpose
<b>show bgp ipv6</b>	Display BGP IPv6 configuration and routing tables.
<b>show ipv6 access-list</b>	Display IPv6 access lists.
<b>show ipv6 cef</b>	Display Cisco Express Forwarding for IPv6.
<b>show ipv6 interface</b> <i>interface-id</i>	Display IPv6 interface status and configuration.
<b>show ipv6 mtu</b>	Display IPv6 MTU per destination cache.
<b>show ipv6 neighbors</b>	Display IPv6 neighbor cache entries.
<b>show ipv6 ospf</b>	Display IPv6 OSPF information.
<b>show ipv6 prefix-list</b>	Display IPv6 prefix lists.
<b>show ipv6 protocols</b>	Display IPv6 routing protocols on the switch.
<b>show ipv6 rip</b>	Display IPv6 RIP routing protocol status.
<b>show ipv6 route</b>	Display IPv6 route table entries.
<b>show ipv6 routers</b>	Display local IPv6 routers.
<b>show ipv6 static</b>	Display IPv6 static routes.
<b>show ipv6 traffic</b>	Display IPv6 traffic statistics.



Table 37-3 Commands for Displaying EIGRP IPv6 Information

Command	Purpose
<b>show ipv6 eigrp</b> [as-number] interface	Display information about interfaces configured for EIGRP IPv6.
<b>show ipv6 eigrp</b> [as-number] neighbor	Display the neighbors discovered by EIGRP IPv6.
<b>show ipv6 eigrp</b> [as-number] traffic	Display the number of EIGRP IPv6 packets sent and received.
<b>show ipv6 eigrp topology</b> [as-number   ipv6-address] [active   all-links   detail-links   pending   summary   zero-successors]	Display EIGRP entries in the IPv6 topology table.

Table 37-4 Commands for Displaying IPv4 and IPv6 Address Types

Command	Purpose
<b>show ip http server history</b>	Display the previous 20 connections to the HTTP server, including the IP address accessed and the time when the connection was closed.
<b>show ip http server connection</b>	Display the current connections to the HTTP server, including the local and remote IP addresses being accessed.
<b>show ip http client connection</b>	Display the configuration values for HTTP client connections to HTTP servers.
<b>show ip http client history</b>	Display a list of the last 20 requests made by the HTTP client to the server.

This is an example of the output from the **show ipv6 interface** privileged EXEC command:

```
Switch# show ipv6 interface
Vlan1 is up, line protocol is up
  IPv6 is enabled, link-local address is FE80::20B:46FF:FE2F:D940
  Global unicast address(es):
    3FFE:C000:0:1:20B:46FF:FE2F:D940, subnet is 3FFE:C000:0:1::/64 [EUI]
  Joined group address(es):
    FF02::1
    FF02::2
    FF02::1:FF2F:D940
  MTU is 1500 bytes
  ICMP error messages limited to one every 100 milliseconds
  ICMP redirects are enabled
  ND DAD is enabled, number of DAD attempts: 1
  ND reachable time is 30000 milliseconds
  ND advertised reachable time is 0 milliseconds
  ND advertised retransmit interval is 0 milliseconds
  ND router advertisements are sent every 200 seconds
  ND router advertisements live for 1800 seconds
<output truncated>
```

This is an example of the output from the **show ipv6 cef** privileged EXEC command:

```
Switch# show ipv6 cef
::/0
  nexthop 3FFE:C000:0:7::777 Vlan7
3FFE:C000:0:1::/64
  attached to Vlan1
3FFE:C000:0:1:20B:46FF:FE2F:D940/128
  receive
3FFE:C000:0:7::/64
  attached to Vlan7
```

```

3FFE:C000:0:7::777/128
  attached to Vlan7
3FFE:C000:0:7:20B:46FF:FE2F:D97F/128
  receive
3FFE:C000:111:1::/64
  attached to GigabitEthernet0/11
3FFE:C000:111:1:20B:46FF:FE2F:D945/128
  receive
3FFE:C000:168:1::/64
  attached to GigabitEthernet0/43
3FFE:C000:168:1:20B:46FF:FE2F:D94B/128
  receive
3FFE:C000:16A:1::/64
  attached to Loopback10
3FFE:C000:16A:1:20B:46FF:FE2F:D900/128
  receive

<output truncated>

```

This is an example of the output from the **show ipv6 protocols** privileged EXEC command:

```

Switch# show ipv6 protocols
IPv6 Routing Protocol is "connected"
IPv6 Routing Protocol is "static"
IPv6 Routing Protocol is "rip fer"
  Interfaces:
    Vlan6
  GigabitEthernet0/4
  GigabitEthernet0/11
  GigabitEthernet0/12
  Redistribution:
    None

```

This is an example of the output from the **show ipv6 rip** privileged EXEC command:

```

Switch# show ipv6 rip
RIP process "fer", port 521, multicast-group FF02::9, pid 190
  Administrative distance is 120. Maximum paths is 16
  Updates every 30 seconds, expire after 180
  Holddown lasts 0 seconds, garbage collect after 120
  Split horizon is on; poison reverse is off
  Default routes are not generated
  Periodic updates 9040, trigger updates 60
  Interfaces:
    Vlan6
  GigabitEthernet0/4
  GigabitEthernet0/11
  GigabitEthernet0/12
  Redistribution:
    None

```

This is an example of the output from the **show ipv6 neighbor** privileged EXEC command:

```

Switch# show ipv6 neighbors
IPv6 Address                               Age Link-layer Addr State Interface
3FFE:C000:0:7::777                         - 0007.0007.0007 REACH V17
3FFE:C101:113:1::33                         - 0000.0000.0033 REACH Gi0/13

```

This is an example of the output from the **show ipv6 static** privileged EXEC command:

```

Switch# show ipv6 static
IPv6 Static routes
Code: * - installed in RIB
* ::/0 via nexthop 3FFE:C000:0:7::777, distance 1

```

This is an example of the output from the **show ipv6 route** privileged EXEC command:

```
Switch# show ipv6 route
IPv6 Routing Table - 21 entries
Codes: C - Connected, L - Local, S - Static, R - RIP, B - BGP
       U - Per-user Static route
       I1 - ISIS L1, I2 - ISIS L2, IA - ISIS interarea, IS - ISIS summary
       O - OSPF intra, OI - OSPF inter, OE1 - OSPF ext 1, OE2 - OSPF ext 2
       ON1 - OSPF NSSA ext 1, ON2 - OSPF NSSA ext 2
S    ::/0 [1/0]
     via 3FFE:C000:0:7::777
C    3FFE:C000:0:1::/64 [0/0]
     via ::, Vlan1
L    3FFE:C000:0:1:20B:46FF:FE2F:D940/128 [0/0]
     via ::, Vlan1
C    3FFE:C000:0:7::/64 [0/0]
     via ::, Vlan7
L    3FFE:C000:0:7:20B:46FF:FE2F:D97F/128 [0/0]
     via ::, Vlan7
C    3FFE:C000:111:1::/64 [0/0]
     via ::, GigabitEthernet0/11
L    3FFE:C000:111:1:20B:46FF:FE2F:D945/128 [0/0]
C    3FFE:C000:168:1::/64 [0/0]
     via ::, GigabitEthernet0/4
L    3FFE:C000:168:1:20B:46FF:FE2F:D94B/128 [0/0]
     via ::, GigabitEthernet0/4
C    3FFE:C000:16A:1::/64 [0/0]
     via ::, Loopback10
L    3FFE:C000:16A:1:20B:46FF:FE2F:D900/128 [0/0]
     via ::, Loopback10
```

<output truncated>

This is an example of the output from the **show ipv6 traffic** privileged EXEC command.

```
Switch# show ipv6 traffic
IPv6 statistics:
  Rcvd: 1 total, 1 local destination
        0 source-routed, 0 truncated
        0 format errors, 0 hop count exceeded
        0 bad header, 0 unknown option, 0 bad source
        0 unknown protocol, 0 not a router
        0 fragments, 0 total reassembled
        0 reassembly timeouts, 0 reassembly failures
  Sent: 36861 generated, 0 forwarded
        0 fragmented into 0 fragments, 0 failed
        0 encapsulation failed, 0 no route, 0 too big
        0 RPF drops, 0 RPF suppressed drops
  Mcast: 1 received, 36861 sent

ICMP statistics:
  Rcvd: 1 input, 0 checksum errors, 0 too short
        0 unknown info type, 0 unknown error type
        unreach: 0 routing, 0 admin, 0 neighbor, 0 address, 0 port
        parameter: 0 error, 0 header, 0 option
        0 hopcount expired, 0 reassembly timeout, 0 too big
        0 echo request, 0 echo reply
        0 group query, 0 group report, 0 group reduce
        1 router solicit, 0 router advert, 0 redirects
        0 neighbor solicit, 0 neighbor advert
  Sent: 10112 output, 0 rate-limited
        unreach: 0 routing, 0 admin, 0 neighbor, 0 address, 0 port
        parameter: 0 error, 0 header, 0 option
        0 hopcount expired, 0 reassembly timeout, 0 too big
```

```
0 echo request, 0 echo reply
0 group query, 0 group report, 0 group reduce
0 router solicit, 9944 router advert, 0 redirects
84 neighbor solicit, 84 neighbor advert
```

## UDP statistics:

```
Rcvd: 0 input, 0 checksum errors, 0 length errors
      0 no port, 0 dropped
Sent: 26749 output
```

## TCP statistics:

```
Rcvd: 0 input, 0 checksum errors
Sent: 0 output, 0 retransmitted
```



## Configuring IPv6 MLD Snooping

When the Cisco ME 3400E Ethernet Access switch is running the metro IP access image, you can use Multicast Listener Discovery (MLD) snooping to enable efficient distribution of IP version 6 (IPv6) multicast data to clients and routers in a switched network.



Note

To use IPv6, you must configure the dual IPv4 and IPv6 Switch Database Management (SDM) template on the switch. You select the template by entering the **sdm prefer dual-ipv4-and-ipv6** global configuration command.

For related information, see these chapters:

- For more information about SDM templates, see [Chapter 7, “Configuring SDM Templates.”](#)
- For information about IPv6 on the switch, see [Chapter 37, “Configuring IPv6 Unicast Routing.”](#)



Note

For complete syntax and usage information for the commands used in this chapter, see the command reference for this release or the Cisco IOS documentation referenced in the procedures.

This chapter includes these sections:

- [“Understanding MLD Snooping” section on page 38-1](#)
- [“Configuring IPv6 MLD Snooping” section on page 38-5](#)
- [“Displaying MLD Snooping Information” section on page 38-12](#)

## Understanding MLD Snooping

In IP version 4 (IPv4), Layer 2 switches can use Internet Group Management Protocol (IGMP) snooping to limit the flooding of multicast traffic by dynamically configuring Layer 2 interfaces so that multicast traffic is forwarded to only those interfaces associated with IP multicast devices. In IPv6, MLD snooping performs a similar function. With MLD snooping, IPv6 multicast data is selectively forwarded to a list of ports that want to receive the data, instead of being flooded to all ports in a VLAN. This list is constructed by snooping IPv6 multicast control packets.

MLD is a protocol used by IPv6 multicast routers to discover the presence of multicast listeners (nodes wishing to receive IPv6 multicast packets) on its directly attached links and to discover which multicast packets are of interest to neighboring nodes. MLD is derived from IGMP; MLD version 1 (MLDv1) is equivalent to IGMPv2 and MLD version 2 (MLDv2) is equivalent to IGMPv3. MLD is a subprotocol of Internet Control Message Protocol version 6 (ICMPv6), and MLD messages are a subset of ICMPv6 messages, identified in IPv6 packets by a preceding Next Header value of 58.

The switch supports two versions of MLD snooping:

- MLDv1 snooping detects MLDv1 control packets and sets up traffic bridging based on IPv6 destination multicast addresses.
- MLDv2 basic snooping (MBSS) uses MLDv2 control packets to set up traffic forwarding based on IPv6 destination multicast addresses.

The switch can snoop on both MLDv1 and MLDv2 protocol packets and bridge IPv6 multicast data based on destination IPv6 multicast addresses.



#### Note

The switch does not support MLDv2 enhanced snooping (MESS), which sets up IPv6 source and destination multicast address-based forwarding.

MLD snooping can be enabled or disabled globally or per VLAN. When MLD snooping is enabled, a per-VLAN IPv6 multicast MAC address table is constructed in software and a per-VLAN IPv6 multicast address table is constructed in software and hardware. The switch then performs IPv6 multicast-address based bridging in hardware.

These sections describe some parameters of IPv6 MLD snooping:

- [MLD Messages, page 38-2](#)
- [MLD Queries, page 38-3](#)
- [Multicast Client Aging Robustness, page 38-3](#)
- [Multicast Router Discovery, page 38-3](#)
- [MLD Reports, page 38-4](#)
- [MLD Done Messages and Immediate-Leave, page 38-4](#)
- [Topology Change Notification Processing, page 38-5](#)

## MLD Messages

MLDv1 supports three types of messages:

- Listener Queries are the equivalent of IGMPv2 queries and are either General Queries or Multicast-Address-Specific Queries (MASQs).
- Multicast Listener Reports are the equivalent of IGMPv2 reports.
- Multicast Listener Done messages are the equivalent of IGMPv2 leave messages.

MLDv2 supports MLDv2 queries and reports, as well as MLDv1 Report and Done messages.

Message timers and state transitions resulting from messages being sent or received are the same as those of IGMPv2 messages. MLD messages that do not have valid link-local IPv6 source addresses are ignored by MLD routers and switches.

## MLD Queries

The switch sends out MLD queries, constructs an IPv6 multicast address database, and generates MLD group-specific and MLD group-and-source-specific queries in response to MLD Done messages. The switch also supports report suppression, report proxying, Immediate-Leave functionality, and static IPv6 multicast MAC-address configuration.

When MLD snooping is disabled, all MLD queries are flooded in the ingress VLAN.

When MLD snooping is enabled, received MLD queries are flooded in the ingress VLAN, and a copy of the query is sent to the CPU for processing. From the received query, MLD snooping builds the IPv6 multicast address database. It detects multicast router ports, maintains timers, sets report response time, learns the querier IP source address for the VLAN, learns the querier port in the VLAN, and maintains multicast-address aging.



### Note

---

When the IPv6 multicast router is a Catalyst 6500 switch and you are using extended VLANs (in the range 1006 to 4094), IPv6 MLD snooping must be enabled on the extended VLAN on the Catalyst 6500 switch in order for this switch to receive queries on the VLAN. For normal-range VLANs (1 to 1005), it is not necessary to enable IPv6 MLD snooping on the VLAN on the Catalyst 6500 switch.

---

When a group exists in the MLD snooping database, the switch responds to a group-specific query by sending an MLDv1 report. When the group is unknown, the group-specific query is flooded to the ingress VLAN.

When a host wants to leave a multicast group, it can send out an MLD Done message (equivalent to IGMP Leave message). When the switch receives an MLDv1 Done message, if Immediate-Leave is not enabled, the switch sends an MASQ to the port from which the message was received to determine if other devices connected to the port should remain in the multicast group.

## Multicast Client Aging Robustness

You can configure port membership removal from addresses based on the number of queries. A port is removed from membership to an address only when there are no reports to the address on the port for the configured number of queries. The default number is 2.

## Multicast Router Discovery

Like IGMP snooping, MLD snooping performs multicast router discovery, with these characteristics:

- Ports configured by a user never age out.
- Dynamic port learning results from MLDv1 snooping queries and IPv6 PIMv2 packets.
- If there are multiple routers on the same Layer 2 interface, MLD snooping tracks a single multicast router on the port (the router that most recently sent a router control packet).
- Dynamic multicast router port aging is based on a default timer of 5 minutes; the multicast router is deleted from the router port list if no control packet is received on the port for 5 minutes.
- IPv6 multicast router discovery only takes place when MLD snooping is enabled on the switch.

- Received IPv6 multicast router control packets are always flooded to the ingress VLAN, whether or not MLD snooping is enabled on the switch.
- After the discovery of the first IPv6 multicast router port, unknown IPv6 multicast data is forwarded only to the discovered router ports (before that time, all IPv6 multicast data is flooded to the ingress VLAN).

## MLD Reports

The processing of MLDv1 join messages is essentially the same as with IGMPv2. When no IPv6 multicast routers are detected in a VLAN, reports are not processed or forwarded from the switch. When IPv6 multicast routers are detected and an MLDv1 report is received, an IPv6 multicast group address and an IPv6 multicast MAC address are entered in the VLAN MLD database. Then all IPv6 multicast traffic to the group within the VLAN is forwarded using this address. When MLD snooping is disabled, reports are flooded in the ingress VLAN.

When MLD snooping is enabled, MLD report suppression, called listener message suppression, is automatically enabled. With report suppression, the switch forwards the first MLDv1 report received by a group to IPv6 multicast routers; subsequent reports for the group are not sent to the routers. When MLD snooping is disabled, report suppression is disabled, and all MLDv1 reports are flooded to the ingress VLAN.

The switch also supports MLDv1 proxy reporting. When an MLDv1 MASQ is received, the switch responds with MLDv1 reports for the address on which the query arrived if the group exists in the switch on another port and if the port on which the query arrived is not the last member port for the address.

## MLD Done Messages and Immediate-Leave

When the Immediate-Leave feature is enabled and a host sends an MLDv1 Done message (equivalent to an IGMP leave message), the port on which the Done message was received is immediately deleted from the group. You enable Immediate-Leave on VLANs and (as with IGMP snooping), you should only use the feature on VLANs where a single host is connected to the port. If the port was the last member of a group, the group is also deleted, and the leave information is forwarded to the detected IPv6 multicast routers.

When Immediate Leave is not enabled in a VLAN (which would be the case when there are multiple clients for a group on the same port) and a Done message is received on a port, an MASQ is generated on that port. The user can control when a port membership is removed for an existing address in terms of the number of MASQs. A port is removed from membership to an address when there are no MLDv1 reports to the address on the port for the configured number of queries.

The number of MASQs generated is configured by using the **ipv6 mld snooping last-listener-query count** global configuration command. The default number is 2.

The MASQ is sent to the IPv6 multicast address for which the Done message was sent. If there are no reports sent to the IPv6 multicast address specified in the MASQ during the switch maximum response time, the port on which the MASQ was sent is deleted from the IPv6 multicast address database. The maximum response time is the time configured by using the **ipv6 mld snooping last-listener-query-interval** global configuration command. If the deleted port is the last member of the multicast address, the multicast address is also deleted, and the switch sends the address leave information to all detected multicast routers.



## Topology Change Notification Processing

When topology change notification (TCN) solicitation is enabled by using the **ipv6 mld snooping tcn query solicit** global configuration command, MLDv1 snooping sets the VLAN to flood all IPv6 multicast traffic with a configured number of MLDv1 queries before it begins sending multicast data only to selected ports. You set this value by using the **ipv6 mld snooping tcn flood query count** global configuration command. The default is to send two queries. The switch also generates MLDv1 global Done messages with valid link-local IPv6 source addresses when the switch becomes the STP root in the VLAN or when it is configured by the user. This is same as done in IGMP snooping.

## Configuring IPv6 MLD Snooping

These sections describe how to configure IPv6 MLD snooping:

- [Default MLD Snooping Configuration, page 38-5](#)
- [MLD Snooping Configuration Guidelines, page 38-6](#)
- [Enabling or Disabling MLD Snooping, page 38-6](#)
- [Configuring a Static Multicast Group, page 38-8](#)
- [Configuring a Multicast Router Port, page 38-9](#)
- [Enabling MLD Immediate Leave, page 38-9](#)
- [Configuring MLD Snooping Queries, page 38-10](#)
- [Disabling MLD Listener Message Suppression, page 38-11](#)

## Default MLD Snooping Configuration

[Table 38-1](#) shows the default MLD snooping configuration.

**Table 38-1** Default MLD Snooping Configuration

Feature	Default Setting
MLD snooping (Global)	Disabled.
MLD snooping (per VLAN)	Enabled. MLD snooping must be globally enabled for VLAN MLD snooping to take place.
IPv6 Multicast addresses	None configured.
IPv6 Multicast router ports	None configured.
MLD snooping Immediate Leave	Disabled.
MLD snooping robustness variable	Global: 2; Per VLAN: 0. <b>Note</b> The VLAN value overrides the global setting. When the VLAN value is 0, the VLAN uses the global count.
Last listener query count	Global: 2; Per VLAN: 0. <b>Note</b> The VLAN value overrides the global setting. When the VLAN value is 0, the VLAN uses the global count.

**Table 38-1** Default MLD Snooping Configuration (continued)

Feature	Default Setting
Last listener query interval	Global: 1000 (1 second); VLAN: 0. <b>Note</b> The VLAN value overrides the global setting. When the VLAN value is 0, the VLAN uses the global interval.
TCN query solicit	Disabled.
TCN query count	2.
MLD listener suppression	Enabled.

## MLD Snooping Configuration Guidelines

When configuring MLD snooping, consider these guidelines:

- You can configure MLD snooping characteristics at any time, but you must globally enable MLD snooping by using the **ipv6 mld snooping** global configuration command for the configuration to take effect.
- When the IPv6 multicast router is a Catalyst 6500 switch and you are using extended VLANs (in the range 1006 to 4094), IPv6 MLD snooping must be enabled on the extended VLAN on the Catalyst 6500 switch in order for this switch to receive queries on the VLAN. For normal-range VLANs (1 to 1005), it is not necessary to enable IPv6 MLD snooping on the VLAN on the Catalyst 6500 switch.
- MLD snooping and IGMP snooping act independently of each other. You can enable both features at the same time on the switch.
- The maximum number of multicast entries allowed on the switch is determined by the configured SDM template.
- The maximum number of address entries allowed for the switch is 1000.

## Enabling or Disabling MLD Snooping

By default, IPv6 MLD snooping is globally disabled on the switch and enabled on all VLANs. When MLD snooping is globally disabled, it is also disabled on all VLANs. When you globally enable MLD snooping, the VLAN configuration overrides the global configuration. That is, MLD snooping is enabled only on VLAN interfaces in the default state (enabled).

You can enable and disable MLD snooping on a per-VLAN basis or for a range of VLANs, but if you globally disable MLD snooping, it is disabled in all VLANs. If global snooping is enabled, you can enable or disable VLAN snooping.

Beginning in privileged EXEC mode, follow these steps to globally enable MLD snooping on the switch:

	Command	Purpose
Step 1	<b>configure terminal</b>	Enter global configuration mode.
Step 2	<b>ipv6 mld snooping</b>	Globally enable MLD snooping on the switch.
Step 3	<b>end</b>	Return to privileged EXEC mode.

	Command	Purpose
Step 4	<b>copy running-config startup-config</b>	(Optional) Save your entries in the configuration file.
Step 5	<b>reload</b>	Reload the operating system.

To globally disable MLD snooping on the switch, use the **no ipv6 mld snooping** global configuration command.

Beginning in privileged EXEC mode, follow these steps to enable MLD snooping on a VLAN.

**Note**

When the IPv6 multicast router is a Catalyst 6500 switch and you are using extended VLANs (in the range 1006 to 4094), IPv6 MLD snooping must be enabled on the extended VLAN on the Catalyst 6500 switch in order for this switch to receive queries on the VLAN. For normal-range VLANs (1 to 1005), it is not necessary to enable IPv6 MLD snooping on the VLAN on the Catalyst 6500 switch.

	Command	Purpose
Step 1	<b>configure terminal</b>	Enter global configuration mode.
Step 2	<b>ipv6 mld snooping</b>	Globally enable MLD snooping on the switch.
Step 3	<b>ipv6 mld snooping vlan <i>vlan-id</i></b>	Enable MLD snooping on the VLAN. The VLAN ID range is 1 to 1001 and 1006 to 4094.  <b>Note</b> MLD snooping must be globally enabled for VLAN snooping to be enabled.
Step 4	<b>end</b>	Return to privileged EXEC mode.
Step 5	<b>copy running-config startup-config</b>	(Optional) Save your entries in the configuration file.

To disable MLD snooping on a VLAN interface, use the **no ipv6 mld snooping vlan *vlan-id*** global configuration command for the specified VLAN number.

## Configuring a Static Multicast Group

Hosts or Layer 2 ports normally join multicast groups dynamically, but you can also statically configure an IPv6 multicast address and member ports for a VLAN.

Beginning in privileged EXEC mode, follow these steps to add a Layer 2 port as a member of a multicast group:

	Command	Purpose
Step 1	<b>configure terminal</b>	Enter global configuration mode
Step 2	<b>ipv6 mld snooping vlan</b> <i>vlan-id</i> <b>static</b> <i>ipv6_multicast_address</i> <b>interface</b> <i>interface-id</i>	Statically configure a multicast group with a Layer 2 port as a member of a multicast group: <ul style="list-style-type: none"> <li>• <i>vlan-id</i> is the multicast group VLAN ID. The VLAN ID range is 1 to 1001 and 1006 to 4094.</li> <li>• <i>ipv6_multicast_address</i> is the 128-bit group IPv6 address. The address must be in the form specified in RFC 2373.</li> <li>• <i>interface-id</i> is the member port. It can be a physical interface or a port channel (1 to 48).</li> </ul>
Step 3	<b>end</b>	Return to privileged EXEC mode.
Step 4	<b>show ipv6 mld snooping multicast-address user</b> or <b>show ipv6 mld snooping multicast-address vlan</b> <i>vlan-id</i> <b>user</b>	Verify the static member port and the IPv6 address.
Step 5	<b>copy running-config startup-config</b>	(Optional) Save your entries in the configuration file.

To remove a Layer 2 port from the multicast group, use the **no ipv6 mld snooping vlan** *vlan-id* **static** *mac-address* **interface** *interface-id* global configuration command. If all member ports are removed from a group, the group is deleted.

This example shows how to statically configure an IPv6 multicast group:

```
Switch# configure terminal
Switch(config)# ipv6 mld snooping vlan 2 static FF12::3 interface gigabitethernet0/1
Switch(config)# end
```

## Configuring a Multicast Router Port

Although MLD snooping learns about router ports through MLD queries and PIMv6 queries, you can also use the command-line interface (CLI) to add a multicast router port to a VLAN. To add a multicast router port (add a static connection to a multicast router), use the **ipv6 mld snooping vlan mrouter** global configuration command on the switch.



### Note

Static connections to multicast routers are supported only on switch ports.

Beginning in privileged EXEC mode, follow these steps to add a multicast router port to a VLAN:

	Command	Purpose
Step 1	<b>configure terminal</b>	Enter global configuration mode.
Step 2	<b>ipv6 mld snooping vlan <i>vlan-id</i> mrouter interface <i>interface-id</i></b>	Specify the multicast router VLAN ID, and specify the interface to the multicast router. <ul style="list-style-type: none"> <li>• The VLAN ID range is 1 to 1001 and 1006 to 4094.</li> <li>• The interface can be a physical interface or a port channel. The port-channel range is 1 to 48.</li> </ul>
Step 3	<b>end</b>	Return to privileged EXEC mode.
Step 4	<b>show ipv6 mld snooping mrouter [vlan <i>vlan-id</i>]</b>	Verify that IPv6 MLD snooping is enabled on the VLAN interface.
Step 5	<b>copy running-config startup-config</b>	(Optional) Save your entries in the configuration file.

To remove a multicast router port from the VLAN, use the **no ipv6 mld snooping vlan *vlan-id* mrouter interface *interface-id*** global configuration command.

This example shows how to add a multicast router port to VLAN 200:

```
Switch# configure terminal
Switch(config)# ipv6 mld snooping vlan 200 mrouter interface gigabitethernet0/2
Switch(config)# exit
```

## Enabling MLD Immediate Leave

When you enable MLDv1 Immediate Leave, the switch immediately removes a port from a multicast group when it detects an MLD Done message on that port. You should only use the Immediate-Leave feature when there is a single receiver present on every port in the VLAN. When there are multiple clients for a multicast group on the same port, you should not enable Immediate-Leave in a VLAN.

Beginning in privileged EXEC mode, follow these steps to enable MLDv1 Immediate Leave:

	Command	Purpose
Step 1	<b>configure terminal</b>	Enter global configuration mode.
Step 2	<b>ipv6 mld snooping vlan <i>vlan-id</i> immediate-leave</b>	Enable MLD Immediate Leave on the VLAN interface.
Step 3	<b>end</b>	Return to privileged EXEC mode.
Step 4	<b>show ipv6 mld snooping vlan <i>vlan-id</i></b>	Verify that Immediate Leave is enabled on the VLAN interface.
Step 5	<b>copy running-config startup-config</b>	(Optional) Save your entries in the configuration file.

To disable MLD Immediate Leave on a VLAN, use the **no ipv6 mld snooping vlan *vlan-id* immediate-leave** global configuration command.

This example shows how to enable MLD Immediate Leave on VLAN 130:

```
Switch# configure terminal
Switch(config)# ipv6 mld snooping vlan 130 immediate-leave
Switch(config)# exit
```

## Configuring MLD Snooping Queries

When Immediate Leave is not enabled and a port receives an MLD Done message, the switch generates MASQs on the port and sends them to the IPv6 multicast address for which the Done message was sent. You can optionally configure the number of MASQs that are sent and the length of time the switch waits for a response before deleting the port from the multicast group.

Beginning in privileged EXEC mode, follow these steps to configure MLD snooping query characteristics for the switch or for a VLAN:

	Command	Purpose
Step 1	<b>configure terminal</b>	Enter global configuration mode.
Step 2	<b>ipv6 mld snooping robustness-variable <i>value</i></b>	(Optional) Set the number of queries that are sent before switch will deletes a listener (port) that does not respond to a general query. The range is 1 to 3; the default is 2.
Step 3	<b>ipv6 mld snooping vlan <i>vlan-id</i> robustness-variable <i>value</i></b>	(Optional) Set the robustness variable on a VLAN basis, which determines the number of general queries that MLD snooping sends before aging out a multicast address when there is no MLD report response. The range is 1 to 3; the default is 0. When set to 0, the number used is the global robustness variable value.
Step 4	<b>ipv6 mld snooping last-listener-query-count <i>count</i></b>	(Optional) Set the number of MASQs that the switch sends before aging out an MLD client. The range is 1 to 7; the default is 2. The queries are sent 1 second apart.
Step 5	<b>ipv6 mld snooping vlan <i>vlan-id</i> last-listener-query-count <i>count</i></b>	(Optional) Set the last-listener query count on a VLAN basis. This value overrides the value configured globally. The range is 1 to 7; the default is 0. When set to 0, the global count value is used. Queries are sent 1 second apart.

	Command	Purpose
Step 6	<b>ipv6 mld snooping</b> <b>last-listener-query-interval</b> <i>interval</i>	(Optional) Set the maximum response time that the switch waits after sending out a MASQ before deleting a port from the multicast group. The range is 100 to 32,768 thousands of a second. The default is 1000 (1 second).
Step 7	<b>ipv6 mld snooping vlan</b> <i>vlan-id</i> <b>last-listener-query-interval</b> <i>interval</i>	(Optional) Set the last-listener query interval on a VLAN basis. This value overrides the value configured globally. The range is 0 to 32,768 thousands of a second. The default is 0. When set to 0, the global last-listener query interval is used.
Step 8	<b>ipv6 mld snooping tcn query solicit</b>	(Optional) Enable topology change notification (TCN) solicitation, which means that VLANs flood all IPv6 multicast traffic for the configured number of queries before sending multicast data to only those ports requesting to receive it. The default is for TCN to be disabled.
Step 9	<b>ipv6 mld snooping tcn flood query count</b> <i>count</i>	(Optional) When TCN is enabled, specify the number of TCN queries to be sent. The range is from 1 to 10; the default is 2.
Step 10	<b>end</b>	Return to privileged EXEC mode.
Step 11	<b>show ipv6 mld snooping querier</b> [ <b>vlan</b> <i>vlan-id</i> ]	(Optional) Verify that the MLD snooping querier information for the switch or for the VLAN.
Step 12	<b>copy running-config startup-config</b>	(Optional) Save your entries in the configuration file.

This example shows how to set the MLD snooping global robustness variable to 3:

```
Switch# configure terminal
Switch(config)# ipv6 mld snooping robustness-variable 3
Switch(config)# exit
```

This example shows how to set the MLD snooping last-listener query count for a VLAN to 3:

```
Switch# configure terminal
Switch(config)# ipv6 mld snooping vlan 200 last-listener-query-count 3
Switch(config)# exit
```

This example shows how to set the MLD snooping last-listener query interval (maximum response time) to 2000 (2 seconds):

```
Switch# configure terminal
Switch(config)# ipv6 mld snooping last-listener-query-interval 2000
Switch(config)# exit
```

## Disabling MLD Listener Message Suppression

MLD snooping listener message suppression is enabled by default. When it is enabled, the switch forwards only one MLD report per multicast router query. When message suppression is disabled, multiple MLD reports could be forwarded to the multicast routers.

Beginning in privileged EXEC mode, follow these steps to disable MLD listener message suppression:

	Command	Purpose
Step 1	<b>configure terminal</b>	Enter global configuration mode.
Step 2	<b>no ipv6 mld snooping listener-message-suppression</b>	Disable MLD message suppression.
Step 3	<b>end</b>	Return to privileged EXEC mode.
Step 4	<b>show ipv6 mld snooping</b>	Verify that IPv6 MLD snooping report suppression is disabled.
Step 5	<b>copy running-config startup-config</b>	(Optional) Save your entries in the configuration file.

To re-enable MLD message suppression, use the **ipv6 mld snooping listener-message-suppression** global configuration command.

## Displaying MLD Snooping Information

You can display MLD snooping information for dynamically learned and statically configured router ports and VLAN interfaces. You can also display MAC address multicast entries for a VLAN configured for MLD snooping.

To display MLD snooping information, use one or more of the privileged EXEC commands in [Table 38-2](#).

**Table 38-2** Commands for Displaying MLD Snooping Information

Command	Purpose
<b>show ipv6 mld snooping [vlan <i>vlan-id</i>]</b>	Display the MLD snooping configuration information for all VLANs on the switch or for a specified VLAN.  (Optional) Enter <b>vlan <i>vlan-id</i></b> to display information for a single VLAN. The VLAN ID range is 1 to 1001 and 1006 to 4094.
<b>show ipv6 mld snooping mrouter [vlan <i>vlan-id</i>]</b>	Display information on dynamically learned and manually configured multicast router interfaces. When you enable MLD snooping, the switch automatically learns the interface to which a multicast router is connected. These are dynamically learned interfaces.  (Optional) Enter <b>vlan <i>vlan-id</i></b> to display information for a single VLAN. The VLAN ID range is 1 to 1001 and 1006 to 4094.
<b>show ipv6 mld snooping querier [vlan <i>vlan-id</i>]</b>	Display information about the IPv6 address and incoming port for the most-recently received MLD query messages in the VLAN.  (Optional) Enter <b>vlan <i>vlan-id</i></b> to display information for a single VLAN. The VLAN ID range is 1 to 1001 and 1006 to 4094.



Table 38-2 Commands for Displaying MLD Snooping Information (continued)

Command	Purpose
<b>show ipv6 mld snooping multicast-address</b> [ <b>vlan</b> <i>vlan-id</i> ] [ <b>count</b> / <b>dynamic</b> / <b>user</b> ]	Display all IPv6 multicast address information or specific IPv6 multicast address information for the switch or a VLAN. <ul style="list-style-type: none"><li>• Enter <b>count</b> to show the group count on the switch or in a VLAN.</li><li>• Enter <b>dynamic</b> to display MLD snooping learned group information for the switch or for a VLAN.</li><li>• Enter <b>user</b> to display MLD snooping user-configured group information for the switch or for a VLAN.</li></ul>
<b>show ipv6 mld snooping multicast-address vlan</b> <i>vlan-id</i> [ <i>ipv6-multicast-address</i> ]	Display MLD snooping for the specified VLAN and IPv6 multicast address.





# CHAPTER 39

## Configuring IPv6 ACLs

---

When the Cisco ME 3400E Ethernet Access switch is running the metro IP access image, you can filter IP Version 6 (IPv6) traffic by creating IPv6 access control lists (ACLs) and applying them to interfaces similarly to the way that you create and apply IP Version 4 (IPv4) named ACLs. You can also create and apply input router ACLs to filter Layer 3 management traffic.



### Note

To use IPv6, you must configure the dual IPv4 and IPv6 Switch Database Management (SDM) template on the switch. You select the template by entering the **sdm prefer dual-ipv4-and-ipv6 {default | routing | vlan}** global configuration command.

---

For related information, see these chapters:

- For more information about SDM templates, see [Chapter 7, “Configuring SDM Templates.”](#)
- For information about IPv6 on the switch, see [Chapter 37, “Configuring IPv6 Unicast Routing.”](#)
- For information about ACLs on the switch, see [Chapter 32, “Configuring Network Security with ACLs.”](#)



### Note

For complete syntax and usage information for the commands used in this chapter, see the command reference for this release or the Cisco IOS documentation referenced in the procedures.

---

This chapter contains these sections:

- [Understanding IPv6 ACLs, page 39-2](#)
- [Configuring IPv6 ACLs, page 39-3](#)
- [Displaying IPv6 ACLs, page 39-8](#)

# Understanding IPv6 ACLs

A switch running the metro IP access image supports two types of IPv6 ACLs:

- IPv6 router ACLs are supported on outbound or inbound traffic on Layer 3 interfaces, which can be routed ports, switch virtual interfaces (SVIs), or Layer 3 EtherChannels. IPv6 router ACLs apply only to routed IPv6 packets.
- IPv6 port ACLs are supported only on inbound traffic on Layer 2 interfaces. IPv6 port ACLs are applied to all IPv6 packets entering the interface.

The switch does not support VLAN ACLs (VLAN maps) for IPv6 traffic.

If you configure unsupported IPv6 ACLs, an error message appears, and the configuration does not take affect.



Note

---

For more information about IPv4 ACL support on the switch, see [Chapter 32, “Configuring Network Security with ACLs.”](#)

---

You can apply both IPv4 and IPv6 ACLs to an interface.

As with IPv4 ACLs, IPv6 port ACLs take precedence over router ACLs:

- When an input router ACL and input port ACL exist in an SVI, packets received on ports to which a port ACL is applied are filtered by the port ACL. Routed IP packets received on other ports are filtered by the router ACL. Other packets are not filtered.
- When an output router ACL and input port ACL exist in an SVI, packets received on the ports to which a port ACL is applied are filtered by the port ACL. Outgoing routed IPv6 packets are filtered by the router ACL. Other packets are not filtered.



Note

---

If *any* port ACL (IPv4, IPv6, or MAC) is applied to an interface, that port ACL filters packets, and any router ACLs attached to the SVI of the port VLAN are ignored.

---

These sections describe some characteristics of IPv6 ACLs on the switch:

- [Supported ACL Features, page 39-2](#)
- [IPv6 ACL Limitations, page 39-3](#)

## Supported ACL Features

IPv6 ACLs on the switch have these characteristics:

- Fragmented frames (the **fragments** keyword as in IPv4) are supported.
- The same statistics supported in IPv4 are supported for IPv6 ACLs.
- If the switch runs out of hardware space, packets associated with the ACL are forwarded to the CPU, and the ACLs are applied in software.
- Routed or bridged packets with hop-by-hop options have IPv6 ACLs applied in software.
- Logging is supported for router ACLs, but not for port ACLs.
- The switch supports IPv6 address-matching for a full range of prefix-lengths.

## IPv6 ACL Limitations

With IPv4, you can configure standard and extended numbered IP ACLs, named IP ACLs, and MAC ACLs. IPv6 supports only named ACLs.

The switch supports most Cisco IOS-supported IPv6 ACLs with some exceptions:

- The switch does not support matching on these keywords: **flowlabel**, **routing header**, and **undetermined-transport**.
- The switch does not support reflexive ACLs (the **reflect** keyword).
- This release supports only port ACLs and router ACLs for IPv6; it does not support VLAN ACLs (VLAN maps).
- The switch does not apply MAC-based ACLs on IPv6 frames.
- You cannot apply IPv6 port ACLs to Layer 2 EtherChannels.
- The switch does not support output port ACLs.
- When configuring an ACL, there is no restriction on keywords entered in the ACL, regardless of whether or not they are supported on the platform. When you apply the ACL to an interface that requires hardware forwarding (physical ports or SVIs), the switch determines whether or not the ACL can be supported on the interface. If not, the ACL attachment is rejected.
- If an ACL is applied to an interface and you attempt to add an access control entry (ACE) with an unsupported keyword, the switch does not allow the ACE to be added to the attached ACL.

## Configuring IPv6 ACLs

Before configuring IPv6 ACLs, you must select one of the dual IPv4 and IPv6 SDM templates.

To filter IPv6 traffic, you perform these steps:

- 
- |               |  |
|---------------|--|
| <b>Step 1</b> | Create an IPv6 ACL, and enter IPv6 access list configuration mode.   |
| <b>Step 2</b> | Configure the IPv6 ACL to block (deny) or pass (permit) traffic.   |
| <b>Step 3</b> | Apply the IPv6 ACL to an interface. For router ACLs, you must also configure an IPv6 address on the Layer 3 interface on which the ACL is applied. |
- 

- [Default IPv6 ACL Configuration, page 39-3](#)
- [Interaction with Other Features and Switches, page 39-4](#)
- [Creating IPv6 ACLs, page 39-4](#)
- [Applying an IPv6 ACL to an Interface, page 39-7](#)

## Default IPv6 ACL Configuration

There are no IPv6 ACLs configured or applied.

## Interaction with Other Features and Switches

Configuring IPv6 ACLs has these interactions with other features or switch characteristics:

- If an IPv6 router ACL is configured to deny a packet, the packet is not routed. A copy of the packet is sent to the Internet Control Message Protocol (ICMP) queue to generate an ICMP unreachable message for the frame.
- If a bridged frame is to be dropped due to a port ACL, the frame is not bridged.
- You can create both IPv4 and IPv6 ACLs on a switch, and you can apply both IPv4 and IPv6 ACLs to the same interface. Each ACL must have a unique name; an error message appears if you try to use a name that is already configured.

You use different commands to create IPv4 and IPv6 ACLs and to attach IPv4 or IPv6 ACLs to the same Layer 2 or Layer 3 interface. If you use the wrong command to attach an ACL (for example, an IPv4 command to attach an IPv6 ACL), you receive an error message.

- You cannot use MAC ACLs to filter IPv6 frames. MAC ACLs can only filter non-IP frames.
- If the hardware memory is full, for any additional configured ACLs, packets are forwarded to the CPU, and the ACLs are applied in software.

## Creating IPv6 ACLs

Beginning in privileged EXEC mode, follow these steps to create an IPv6 ACL:

	Command	Purpose
Step 1	<b>configure terminal</b>	Enter global configuration mode.
Step 2	<b>ipv6 access-list</b> <i>access-list-name</i>	Define an IPv6 access list using a name, and enter IPv6 access-list configuration mode.

Command	Purpose
<p>Step 3a</p> <pre>{deny   permit} protocol {source-ipv6-prefix/prefix-length   any   host source-ipv6-address} [operator [port-number]] {destination-ipv6-prefix/ prefix-length   any   host destination-ipv6-address} [operator [port-number]] [dscp value] [fragments] [log] [log-input] [routing] [sequence value] [time-range name]</pre>	<p>Enter <b>deny</b> or <b>permit</b> to specify whether to deny or to permit the packet if conditions are matched. These are the conditions:</p> <ul style="list-style-type: none"> <li>For <i>protocol</i>, enter the name or number of an Internet protocol: <b>ahp</b>, <b>esp</b>, <b>icmp</b>, <b>ipv6</b>, <b>pcp</b>, <b>stcp</b>, <b>tcp</b>, or <b>udp</b>, or an integer in the range 0 to 255 representing an IPv6 protocol number.</li> </ul> <p><b>Note</b> For additional specific parameters for ICMP, TCP, and UDP, see Steps 3b through 3d.</p> <ul style="list-style-type: none"> <li>The <i>source-ipv6-prefix/prefix-length</i> or <i>destination-ipv6-prefix/prefix-length</i> is the source or destination IPv6 network or class of networks for which to set deny or permit conditions, specified in hexadecimal and using 16-bit values between colons.</li> <li>Enter <b>any</b> as an abbreviation for the IPv6 prefix <code>::/0</code>.</li> <li>For <b>host</b> <i>source-ipv6-address</i> or <i>destination-ipv6-address</i>, enter the source or destination IPv6 host address for which to set deny or permit conditions, specified in hexadecimal and using 16-bit values between colons.</li> <li>(Optional) For <i>operator</i>, specify an operand that compares the source or destination ports of the specified protocol. Operands are <b>lt</b> (less than), <b>gt</b> (greater than), <b>eq</b> (equal), <b>neq</b> (not equal), and <b>range</b>. If the operator follows the <i>source-ipv6-prefix/prefix-length</i> argument, it must match the source port. If the operator follows the <i>destination-ipv6-prefix/prefix-length</i> argument, it must match the destination port.</li> <li>(Optional) The <i>port-number</i> is a decimal number from 0 to 65535 or the name of a TCP or UDP port. You can use TCP port names only when filtering TCP. You can use UDP port names only when filtering UDP.</li> <li>(Optional) Enter <b>dscp value</b> to match a differentiated services code point value against the traffic class value in the Traffic Class field of each IPv6 packet header. The acceptable range is from 0 to 63.</li> <li>(Optional) Enter <b>fragments</b> to check noninitial fragments. This keyword is visible only if the protocol is <b>ipv6</b>.</li> <li>(Optional) Enter <b>log</b> to cause an logging message to be sent to the console about the packet that matches the entry. Enter <b>log-input</b> to include the input interface in the log entry. Logging is supported only for router ACLs.</li> <li>(Optional) Enter <b>routing</b> to specify that IPv6 packets be routed.</li> <li>(Optional) Enter <b>sequence value</b> to specify the sequence number for the access list statement. The acceptable range is from 1 to 4294967295.</li> <li>(Optional) Enter <b>time-range name</b> to specify the time range that applies to the deny or permit statement.</li> </ul>

	Command	Purpose
Step 3b	<pre>{deny   permit} tcp {source-ipv6-prefix/prefix-length   any   host source-ipv6-address} [operator [port-number]] {destination-ipv6- prefix/prefix-length   any   host destination-ipv6-address} [operator [port-number]] [ack] [dscp value] [established] [fin] [log] [log-input] [neq {port   protocol}] [psh] [range {port   protocol}] [rst] [routing] [sequence value] [syn] [time-range name] [urg]</pre>	<p>(Optional) Define a TCP access list and the access conditions.</p> <p>Enter <b>tcp</b> for Transmission Control Protocol. The parameters are the same as those described in Step 3a, with these additional optional parameters:</p> <ul style="list-style-type: none"> <li>• <b>ack</b>—Acknowledgment bit set.</li> <li>• <b>established</b>—An established connection. A match occurs if the TCP datagram has the ACK or RST bits set.</li> <li>• <b>fin</b>—Finished bit set; no more data from sender.</li> <li>• <b>neq {port   protocol}</b>—Matches only packets that are not on a given port number.</li> <li>• <b>psh</b>—Push function bit set.</li> <li>• <b>range {port   protocol}</b>—Matches only packets in the port number range.</li> <li>• <b>rst</b>—Reset bit set.</li> <li>• <b>syn</b>—Synchronize bit set.</li> <li>• <b>urg</b>—Urgent pointer bit set.</li> </ul>
Step 3c	<pre>{deny   permit} udp {source-ipv6-prefix/prefix-length   any   host source-ipv6-address} [operator [port-number]] {destination-ipv6-prefix/prefix-len gth   any   host destination-ipv6-address} [operator [port-number]] [dscp value] [log] [log-input] [neq {port   protocol}] [range {port   protocol}] [routing] [sequence value] [time-range name]</pre>	<p>(Optional) Define a UDP access list and the access conditions.</p> <p>Enter <b>udp</b> for the User Datagram Protocol. The UDP parameters are the same as those described for TCP, except that the <i>[operator [port]]</i> port number or name must be a UDP port number or name, and the <b>established</b> parameter is not valid for UDP.</p>
Step 3d	<pre>{deny   permit} icmp {source-ipv6-prefix/prefix-length   any   host source-ipv6-address} [operator [port-number]] {destination-ipv6-prefix/prefix-len gth   any   host destination-ipv6-address} [operator [port-number]] [icmp-type [icmp-code]   icmp-message] [dscp value] [log] [log-input] [routing] [sequence value] [time-range name]</pre>	<p>(Optional) Define an ICMP access list and the access conditions.</p> <p>Enter <b>icmp</b> for Internet Control Message Protocol. The ICMP parameters are the same as those described for most IP protocols in Step 3a, with the addition of the ICMP message type and code parameters. These optional keywords have these meanings:</p> <ul style="list-style-type: none"> <li>• <b>icmp-type</b>—Enter to filter by ICMP message type, a number from 0 to 255.</li> <li>• <b>icmp-code</b>—Enter to filter ICMP packets that are filtered by the ICMP message code type, a number from 0 to 255.</li> <li>• <b>icmp-message</b>—Enter to filter ICMP packets by the ICMP message type name or the ICMP message type and code name. To see a list of ICMP message type names and code names, use the ? key or see command reference for this release.</li> </ul>
Step 4	<b>end</b>	Return to privileged EXEC mode.
Step 5	<b>show ipv6 access-list</b>	Verify the access list configuration.
Step 6	<b>copy running-config startup-config</b>	(Optional) Save your entries in the configuration file.



Use the **no {deny | permit}** IPv6 access-list configuration commands with keywords to remove the deny or permit conditions from the specified access list.

This example configures the IPv6 access list named CISCO. The first deny entry in the list denies all packets that have a destination TCP port number greater than 5000. The second deny entry denies packets that have a source UDP port number less than 5000. The second deny also logs all matches to the console. The first permit entry in the list permits all ICMP packets. The second permit entry in the list permits all other traffic. The second permit entry is necessary because an implicit deny -all condition is at the end of each IPv6 access list.

```
Switch(config)# ipv6 access-list CISCO
Switch(config-ipv6-acl)# deny tcp any any gt 5000
Switch config-ipv6-acl)# deny ::/0 lt 5000 ::/0 log
Switch(config-ipv6-acl)# permit icmp any any
Switch(config-ipv6-acl)# permit any any
```

## Applying an IPv6 ACL to an Interface

This section describes how to apply IPv6 ACLs to network interfaces. You can apply an ACL to outbound or inbound traffic on Layer 3 interfaces, or to inbound traffic on Layer 2 interfaces.

Beginning in privileged EXEC mode, follow these steps to control access to an interface:

	Command	Purpose
Step 1	<b>configure terminal</b>	Enter global configuration mode.
Step 2	<b>interface</b> <i>interface-id</i>	Identify a Layer 2 interface (for port ACLs) or Layer 3 interface (for router ACLs) on which to apply an access list, and enter interface configuration mode.
Step 3	<b>no switchport</b>	If applying a router ACL, change the interface from Layer 2 mode (the default) to Layer 3 mode.
Step 4	<b>ipv6 address</b> <i>ipv6-address</i>	Configure an IPv6 address on a Layer 3 interface (for router ACLs). <b>Note</b> This command is not required on Layer 2 interfaces or if the interface has already been configured with an explicit IPv6 address.
Step 5	<b>ipv6 traffic-filter</b> <i>access-list-name</i> { <b>in</b>   <b>out</b> }	Apply the access list to incoming or outgoing traffic on the interface. <b>Note</b> The <b>out</b> keyword is not supported for Layer 2 interfaces (port ACLs).
Step 6	<b>end</b>	Return to privileged EXEC mode.
Step 7	<b>show running-config</b>	Verify the access list configuration.
Step 8	<b>copy running-config</b> <b>startup-config</b>	(Optional) Save your entries in the configuration file.

Use the **no ipv6 traffic-filter** *access-list-name* interface configuration command to remove an access list from an interface.

This example shows how to apply the access list *Cisco* to outbound traffic on a Layer 3 interface:

```
Switch(config)# interface gigabitethernet 0/3
Switch(config-if)# no switchport
Switch(config-if)# ipv6 address 2001::/64 eui-64
Switch(config-if)# ipv6 traffic-filter CISCO out
```

# Displaying IPv6 ACLs

You can display information about all configured access lists, all IPv6 access lists, or a specific access list by using one or more of the privileged EXEC commands in [Table 39-1](#).

**Table 39-1** *Commands for Displaying IPv6 Access List Information*

Command	Purpose
<b>show access-lists</b>	Display all access lists configured on the switch.
<b>show ipv6 access-list</b> <i>[access-list-name]</i>	Display all configured IPv6 access list or the access list specified by name.

This is an example of the output from the **show access-lists** privileged EXEC command. The output shows all access lists that are configured on the switch or switch stack.

```
Switch #show access-lists
Extended IP access list hello
  10 permit ip any any
IPv6 access list ipv6
  permit ipv6 any any sequence 10
```

This is an example of the output from the **show ipv6 access-lists** privileged EXEC command. The output shows only IPv6 access lists configured on the switch or switch stack.

```
Switch# show ipv6 access-list
IPv6 access list inbound
  permit tcp any any eq bgp (8 matches) sequence 10
  permit tcp any any eq telnet (15 matches) sequence 20
  permit udp any any sequence 30

IPv6 access list outbound
  deny udp any any sequence 10
  deny tcp any any eq telnet sequence 20
```



# CHAPTER 40

## Configuring HSRP

---

This chapter describes how to use Hot Standby Router Protocol (HSRP) on the Cisco ME 3400E Ethernet Access switch to provide routing redundancy for routing IP traffic without being dependent on the availability of any single router. The switch must be running the metro IP access image to support HSRP.



Note

---

For complete syntax and usage information for the commands used in this chapter, see the switch command reference for this release and the *Cisco IOS IP Command Reference, Volume 1 of 3: Addressing and Services, Release 12.2*.

---

- [Understanding HSRP, page 40-1](#)
- [Configuring HSRP, page 40-5](#)
- [Displaying HSRP Configurations, page 40-12](#)

## Understanding HSRP

HSRP is Cisco's standard method of providing high network availability by providing first-hop redundancy for IP hosts on an IEEE 802 LAN configured with a default gateway IP address. HSRP routes IP traffic without relying on the availability of any single router. It enables a set of router interfaces to work together to present the appearance of a single virtual router or default gateway to the hosts on a LAN. When HSRP is configured on a network or segment, it provides a virtual Media Access Control (MAC) address and an IP address that is shared among a group of configured routers. HSRP allows two or more HSRP-configured routers to use the MAC address and IP network address of a virtual router. The virtual router does not exist; it represents the common target for routers that are configured to provide backup to each other. One of the routers is selected to be the active router and another to be the standby router, which assumes control of the group MAC address and IP address should the designated active router fail.



Note

---

Routers in an HSRP group can be any router interface that supports HSRP, including routed ports and switch virtual interfaces (SVIs) on the switch.

---

HSRP provides high network availability by providing redundancy for IP traffic from hosts on networks. In a group of router interfaces, the active router is the router of choice for routing packets; the standby router is the router that takes over the routing duties when an active router fails or when preset conditions are met.

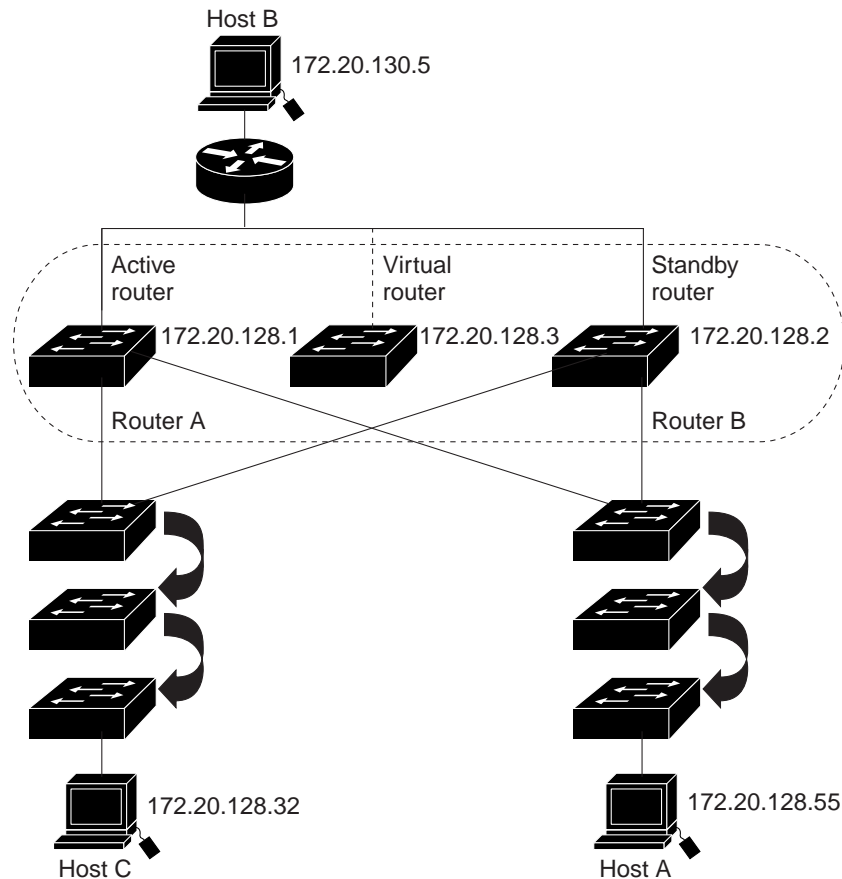
HSRP is useful for hosts that do not support a router discovery protocol and cannot switch to a new router when their selected router reloads or loses power. When HSRP is configured on a network segment, it provides a virtual MAC address and an IP address that is shared among router interfaces in a group of router interfaces running HSRP. The router selected by the protocol to be the active router receives and routes packets destined for the group's MAC address. For  $n$  routers running HSRP, there are  $n + 1$  IP and MAC addresses assigned.

HSRP detects when the designated active router fails, and a selected standby router assumes control of the Hot Standby group's MAC and IP addresses. A new standby router is also selected at that time. Devices running HSRP send and receive multicast UDP-based hello packets to detect router failure and to designate active and standby routers. When HSRP is configured on an interface, Internet Control Message Protocol (ICMP) redirect messages are automatically enabled for the interface.

You can configure multiple Hot Standby groups among switches that are operating in Layer 3 to make more use of the redundant routers. To do so, specify a group number for each Hot Standby command group you configure for an interface. For example, you might configure an interface on switch 1 as an active router and one on switch 2 as a standby router and also configure another interface on switch 2 as an active router with another interface on switch 1 as its standby router.

Figure 40-1 shows a segment of a network configured for HSRP. Each router is configured with the MAC address and IP network address of the virtual router. Instead of configuring hosts on the network with the IP address of Router A, you configure them with the IP address of the virtual router as their default router. When Host C sends packets to Host B, it sends them to the MAC address of the virtual router. If for any reason, Router A stops transferring packets, Router B responds to the virtual IP address and virtual MAC address and becomes the active router, assuming the active router duties. Host C continues to use the IP address of the virtual router to address packets destined for Host B, which Router B now receives and sends to Host B. Until Router A resumes operation, HSRP allows Router B to provide uninterrupted service to users on Host C's segment that need to communicate with users on Host B's segment and also continues to perform its normal function of handling packets between the Host A segment and Host B.

Figure 40-1 Typical HSRP Configuration



101361

## HSRP Versions

The switch supports these Hot Standby Router Protocol (HSRP) versions:

- HSRPv1—Version 1 of the HSRP, the default version of HSRP. It has these features:
  - The HSRP group number can be from 0 to 255.
  - HSRPv1 uses the multicast address 224.0.0.2 to send hello packets, which can conflict with Cisco Group Management Protocol (CGMP) leave processing. You cannot enable HSRPv1 and CGMP at the same time; they are mutually exclusive.
- HSRPv2—Version 2 of the HSRP has these features:
  - To match the HSRP group number to the VLAN ID of a subinterface, HSRPv2 can use a group number from 0 to 4095 and a MAC address from 0000.0C9F.F000 to 0000.0C9F.FFFF.
  - HSRPv2 uses the multicast address 224.0.0.102 to send hello packets. HSRPv2 and CGMP leave processing are no longer mutually exclusive, and both can be enabled at the same time.
  - HSRPv2 has a different packet format than HRSPv1.

A switch running HSRPv1 cannot identify the physical router that sent a hello packet because the source MAC address of the router is the virtual MAC address.

HSRPv2 has a different packet format than HSRPv1. A HSRPv2 packet uses the type-length-value (TLV) format and has a 6-byte identifier field with the MAC address of the physical router that sent the packet.

If an interface running HSRPv1 gets an HSRPv2 packet, the type field is ignored.

HSRPv2 and HSRPv1 are mutually exclusive. HSRPv2 is not interoperable with HSRPv1 on an interface and the reverse.

## Multiple HSRP

The switch supports Multiple HSRP (MHSRP), an extension of HSRP that allows load sharing between two or more HSRP groups. You can configure MHSRP to achieve load balancing and to use two or more standby groups (and paths) from a host network to a server network. In [Figure 40-2](#), half the clients are configured for Router A, and half the clients are configured for Router B. Together, the configuration for Routers A and B establishes two HSRP groups. For group 1, Router A is the default active router because it has the assigned highest priority, and Router B is the standby router. For group 2, Router B is the default active router because it has the assigned highest priority, and Router A is the standby router. During normal operation, the two routers share the IP traffic load. When either router becomes unavailable, the other router becomes active and assumes the packet-transfer functions of the router that is unavailable.

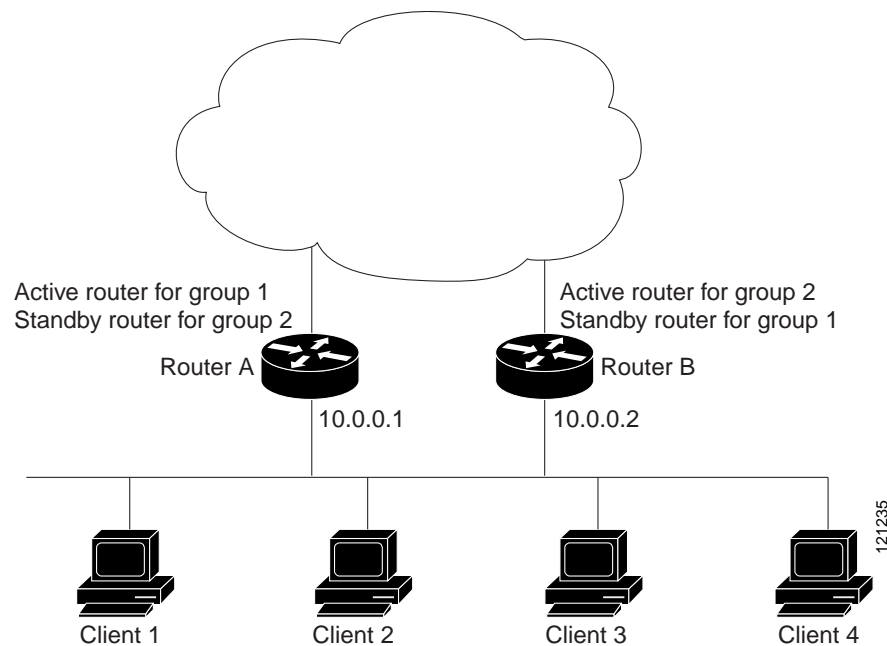
See the [“Configuring MHSRP” section on page 40-10](#) for the example configuration steps.



### Note

For MHSRP, you need to enter the **standby preempt** interface configuration command on the HSRP interfaces so that if a router fails and then comes back up, preemption restores load sharing.

**Figure 40-2** MHSRP Load Sharing



# Configuring HSRP

- [Default HSRP Configuration, page 40-5](#)
- [HSRP Configuration Guidelines, page 40-5](#)
- [Enabling HSRP, page 40-6](#)
- [Configuring HSRP Priority, page 40-7](#)
- [Configuring MHSRP, page 40-10](#)
- [Configuring HSRP Authentication and Timers, page 40-10](#)
- [Enabling HSRP Support for ICMP Redirect Messages, page 40-12](#)

## Default HSRP Configuration

Table 40-1 shows the default HSRP configuration.

**Table 40-1** Default HSRP Configuration

Feature	Default Setting
HSRP version	Version 1
HSRP groups	None configured
Standby group number	0
Standby MAC address	System assigned as: 0000.0c07.acXX, where XX is the HSRP group number
Standby priority	100
Standby delay	0 (no delay)
Standby track interface priority	10
Standby hello time	3 seconds
Standby holdtime	10 seconds

## HSRP Configuration Guidelines

- HSRP can be configured on a maximum of 32 VLAN or routing interfaces.
- In the procedures, the specified interface must be one of these Layer 3 interfaces:
  - Routed port: a physical port configured as a Layer 3 port by entering the **no switchport** interface configuration command.
  - SVI: a VLAN interface created by using the **interface vlan** *vlan\_id* global configuration command and by default a Layer 3 interface.
  - Etherchannel port channel in Layer 3 mode: a port-channel logical interface created by using the **interface port-channel** *port-channel-number* global configuration command and binding the Ethernet interface into the channel group. For more information, see the “[Configuring Layer 3 EtherChannels](#)” section on page 35-14.
- All Layer 3 interfaces must have IP addresses assigned to them. See the “[Configuring Layer 3 Interfaces](#)” section on page 10-25.

- HSRPv2 and HSRPv1 can be configured on the same switch if HSRPv2 is configured on different interfaces than those on which HSRPv1 is configured.
- The version of an HSRP group can be changed from HSRPv2 to HSRPv1 only if the group number is less than 256.
- If you change the HSRP version on an interface, each HSRP group resets because it now has a new virtual MAC address.

## Enabling HSRP

The **standby ip** interface configuration command activates HSRP on the configured interface. If an IP address is specified, that address is used as the designated address for the Hot Standby group. If no IP address is specified, the address is learned through the standby function. You must configure at least one Layer 3 port on the LAN with the designated address. Configuring an IP address always overrides another designated address currently in use.

When the **standby ip** command is enabled on an interface and proxy ARP is enabled, if the interface's Hot Standby state is active, proxy ARP requests are answered using the Hot Standby group MAC address. If the interface is in a different state, proxy ARP responses are suppressed.

Beginning in privileged EXEC mode, follow these steps to create or enable HSRP on a Layer 3 interface:

	Command	Purpose
Step 1	<b>configure terminal</b>	Enter global configuration mode.
Step 2	<b>interface</b> <i>interface-id</i>	Enter interface configuration mode, and enter the Layer 3 interface on which you want to enable HSRP.
Step 3	<b>no shutdown</b>	Enable the port, if necessary. By default, user network interfaces (UNIs) and enhanced network interfaces (ENIs) are disabled, and network node interfaces (NNIs) are enabled.
Step 4	<b>no switchport</b>	If necessary, disable Layer 2 switching on the port to enable the Layer 3 interface.
Step 5	<b>standby version</b> { 1   2 }	(Optional) Configure the HSRP version on the interface. <ul style="list-style-type: none"> <li>• 1— Select HSRPv1.</li> <li>• 2— Select HSRPv2.</li> </ul> <p>If you do not enter this command or do not specify a keyword, the interface runs the default HSRP version, HSRP v1.</p>



	Command	Purpose
Step 6	<b>standby</b> [ <i>group-number</i> ] <b>ip</b> [ <i>ip-address</i> [ <i>secondary</i> ]]	Create (or enable) the HSRP group using its number and virtual IP address. <ul style="list-style-type: none"> <li>(Optional) <i>group-number</i>—The group number on the interface for which HSRP is being enabled. The range is 0 to 255; the default is 0. If there is only one HSRP group, you do not need to enter a group number.</li> <li>(Optional on all but one interface) <i>ip-address</i>—The virtual IP address of the hot standby router interface. You must enter the virtual IP address for at least one of the interfaces; it can be learned on the other interfaces.</li> <li>(Optional) <b>secondary</b>—The IP address is a secondary hot standby router interface. If neither router is designated as a secondary or standby router and no priorities are set, the primary IP addresses are compared and the higher IP address is the active router, with the next highest as the standby router.</li> </ul>
Step 7	<b>end</b>	Return to privileged EXEC mode.
Step 8	<b>show standby</b> [ <i>interface-id</i> [ <i>group</i> ]]	Verify the configuration.
Step 9	<b>copy running-config startup-config</b>	(Optional) Save your entries in the configuration file.

Use the **no standby** [*group-number*] **ip** [*ip-address*] interface configuration command to disable HSRP.

This example shows how to activate HSRP for group 1 on an interface. The IP address used by the hot standby group is learned by using HSRP.



#### Note

This procedure is the minimum number of steps required to enable HSRP. Other configuration is optional.

```
Switch# configure terminal
Switch(config)# interface gigabitethernet0/1
Switch(config-if)# no switchport
Switch(config-if)# standby 1 ip
Switch(config-if)# end
Switch# show standby
```

## Configuring HSRP Priority

The **standby priority**, **standby preempt**, and **standby track** interface configuration commands are all used to set characteristics for finding active and standby routers and behavior regarding when a new active router takes over.

When configuring HSRP priority, follow these guidelines:

- Assigning a priority allows you to select the active and standby routers. If preemption is enabled, the router with the highest priority becomes the active router. If priorities are equal, the current active router does not change.
- The highest number (1 to 255) represents the highest priority (most likely to become the active router).

- When setting the priority, preempt, or both, you must specify at least one keyword (**priority**, **preempt**, or both).
- The priority of the device can change dynamically if an interface is configured with the **standby track** command and another interface on the router goes down.
- The **standby track** interface configuration command ties the router hot standby priority to the availability of its interfaces and is useful for tracking interfaces that are not configured for HSRP. When a tracked interface fails, the hot standby priority on the device on which tracking has been configured decreases by 10. If an interface is not tracked, its state changes do not affect the hot standby priority of the configured device. For each interface configured for hot standby, you can configure a separate list of interfaces to be tracked.
- The **standby track interface-priority** interface configuration command specifies how much to decrement the hot standby priority when a tracked interface goes down. When the interface comes back up, the priority is incremented by the same amount.
- When multiple tracked interfaces are down and *interface-priority* values have been configured, the configured priority decrements are cumulative. If tracked interfaces that were not configured with priority values fail, the default decrement is 10, and it is noncumulative.
- When routing is first enabled for the interface, it does not have a complete routing table. If it is configured to preempt, it becomes the active router, even though it is unable to provide adequate routing services. To solve this problem, configure a delay time to allow the router to update its routing table.

Beginning in privileged EXEC mode, use one or more of these steps to configure HSRP priority characteristics on an interface:

	Command	Purpose
Step 1	<b>configure terminal</b>	Enter global configuration mode.
Step 2	<b>interface</b> <i>interface-id</i>	Enter interface configuration mode, and enter the HSRP interface on which you want to set priority.
Step 3	<b>no shutdown</b>	Enable the port, if necessary. By default, UNIs and ENIs are disabled, and NNIs are enabled.
Step 4	<b>standby</b> [ <i>group-number</i> ] <b>priority</b> <i>priority</i>	Set a <b>priority</b> value used in choosing the active router. The range is 1 to 255; the default priority is 100. The highest number represents the highest priority. <ul style="list-style-type: none"> <li>• (Optional) <i>group-number</i>—The group number to which the command applies.</li> </ul> Use the <b>no</b> form of the command to restore the default values.

	Command	Purpose
Step 5	<b>standby</b> [ <i>group-number</i> ] <b>preempt</b> [ <b>delay</b> [ <i>minimum seconds</i> ] [ <b>reload</b> [ <i>seconds</i> ] [ <b>sync</b> [ <i>seconds</i> ]]]	<p>Configure the router to <b>preempt</b>, which means that when the local router has a higher priority than the active router, it becomes the active router.</p> <ul style="list-style-type: none"> <li>• (Optional) <i>group-number</i>—The group number to which the command applies.</li> <li>• (Optional) <b>delay minimum</b>—Set to cause the local router to postpone taking over the active role for the number of seconds shown. The range is 0 to 36000 seconds (1 hour); the default is 0 (no delay before taking over).</li> <li>• (Optional) <b>delay reload</b>—Set to cause the local router to postpone taking over the active role after a reload for the number of seconds shown. The range is 0 to 36000 seconds (1 hour); the default is 0 (no delay before taking over after a reload).</li> <li>• (Optional) <b>delay sync</b>—Set to cause the local router to postpone taking over the active role so that IP redundancy clients can reply (either with an <i>ok</i> or <i>wait</i> reply) for the number of seconds shown. The range is 0 to 36000 seconds (1 hour); the default is 0 (no delay before taking over).</li> </ul> <p>Use the <b>no</b> form of the command to restore the default values.</p>
Step 6	<b>standby</b> [ <i>group-number</i> ] <b>track</b> <i>type number</i> [ <i>interface-priority</i> ]	<p>Configure an interface to track other interfaces so that if one of the other interfaces goes down, the device's Hot Standby priority is lowered.</p> <ul style="list-style-type: none"> <li>• (Optional) <i>group-number</i>—The group number to which the command applies.</li> <li>• <i>type</i>—Enter the interface type (combined with interface number) that is tracked.</li> <li>• <i>number</i>—Enter the interface number (combined with interface type) that is tracked.</li> <li>• (Optional) <i>interface-priority</i>—Enter the amount by which the hot standby priority for the router is decremented or incremented when the interface goes down or comes back up. The default value is 10.</li> </ul>
Step 7	<b>end</b>	Return to privileged EXEC mode.
Step 8	<b>show running-config</b>	Verify the configuration of the standby groups.
Step 9	<b>copy running-config startup-config</b>	(Optional) Save your entries in the configuration file.

Use the **no standby** [*group-number*] **priority** *priority* [**preempt** [**delay** *delay*]] and **no standby** [*group-number*] [**priority** *priority*] **preempt** [**delay** *delay*] interface configuration commands to restore default priority, preempt, and delay values.

Use the **no standby** [*group-number*] **track** *type number* [*interface-priority*] interface configuration command to remove the tracking.

This example activates a port, sets an IP address and a priority of 120 (higher than the default value), and waits for 300 seconds (5 minutes) before attempting to become the active router:

```
Switch# configure terminal
Switch(config)# interface gigabitethernet0/1
Switch(config-if)# no switchport
Switch(config-if)# standby ip 172.20.128.3
Switch(config-if)# standby priority 120 preempt delay 300
Switch(config-if)# end
```

## Configuring MHSRP

To enable MHSRP and load balancing, you configure two routers as active routers for their groups, with virtual routers as standby routers. This example shows how to enable the MHSRP configuration shown in Figure 40-2. You need to enter the **standby preempt** interface configuration command on each HSRP interface so that if a router fails and comes back up, the preemption occurs and restores load balancing.

Router A is configured as the active router for group 1, and Router B is configured as the active router for group 2. The HSRP interface for Router A has an IP address of 10.0.0.1 with a group 1 standby priority of 110 (the default is 100). The HSRP interface for Router B has an IP address of 10.0.0.2 with a group 2 standby priority of 110.

Group 1 uses a virtual IP address of 10.0.0.3 and group 2 uses a virtual IP address of 10.0.0.4.

### Router A Configuration

```
Switch# configure terminal
Switch(config)# interface gigabitethernet0/1
Switch(config-if)# no switchport
Switch(config-if)# ip address 10.0.0.1 255.255.255.0
Switch(config-if)# standby 1 ip 10.0.0.3
Switch(config-if)# standby 1 priority 110
Switch(config-if)# standby 1 preempt
Switch(config-if)# standby 2 ip 10.0.0.4
Switch(config-if)# standby 2 preempt
Switch(config-if)# end
```

### Router B Configuration

```
Switch# configure terminal
Switch(config)# interface gigabitethernet0/1
Switch(config-if)# no switchport
Switch(config-if)# ip address 10.0.0.2 255.255.255.0
Switch(config-if)# standby 1 ip 10.0.0.3
Switch(config-if)# standby 1 preempt
Switch(config-if)# standby 2 ip 10.0.0.4
Switch(config-if)# standby 2 priority 110
Switch(config-if)# standby 2 preempt
Switch(config-if)# end
```

## Configuring HSRP Authentication and Timers

You can optionally configure an HSRP authentication string or change the hello-time interval and holdtime.

When configuring these attributes, follow these guidelines:

- The authentication string is sent unencrypted in all HSRP messages. You must configure the same authentication string on all routers and access servers on a cable to ensure interoperability. Authentication mismatch prevents a device from learning the designated Hot Standby IP address and timer values from other routers configured with HSRP.
- Routers or access servers on which standby timer values are not configured can learn timer values from the active or standby router. The timers configured on an active router always override any other timer settings.
- All routers in a Hot Standby group should use the same timer values. Normally, the *holdtime* is greater than or equal to 3 times the *hellotime*.

Beginning in privileged EXEC mode, use one or more of these steps to configure HSRP authentication and timers on an interface:

	Command	Purpose
Step 1	<b>configure terminal</b>	Enter global configuration mode.
Step 2	<b>interface</b> <i>interface-id</i>	Enter interface configuration mode, and enter the HSRP interface on which you want to set authentication.
Step 3	<b>no shutdown</b>	Enable the port, if necessary. By default, UNIs and ENIs are disabled, and NNIs are enabled.
Step 4	<b>standby</b> [ <i>group-number</i> ] <b>authentication</b> <i>string</i>	(Optional) <b>authentication</b> <i>string</i> —Enter a string to be carried in all HSRP messages. The authentication string can be up to eight characters in length; the default string is <b>cisco</b> .  (Optional) <i>group-number</i> —The group number to which the command applies.
Step 5	<b>standby</b> [ <i>group-number</i> ] <b>timers</b> <i>hellotime holdtime</i>	(Optional) Configure the time between hello packets and the time before other routers declare the active router to be down. <ul style="list-style-type: none"> <li><i>group-number</i>—The group number to which the command applies.</li> <li><i>hellotime</i>—The hello interval in seconds. The range is from 1 to 255; the default is 3 seconds.</li> <li><i>holdtime</i>—The time in seconds before the active or standby router is declared to be down. The range is from 1 to 255; the default is 10 seconds.</li> </ul>
Step 6	<b>end</b>	Return to privileged EXEC mode.
Step 7	<b>show running-config</b>	Verify the configuration of the standby groups.
Step 8	<b>copy running-config startup-config</b>	(Optional) Save your entries in the configuration file.

Use the **no standby** [*group-number*] **authentication** *string* interface configuration command to delete an authentication string. Use the **no standby** [*group-number*] **timers** *hellotime holdtime* interface configuration command to restore timers to their default values.

This example shows how to configure *word* as the authentication string required to allow Hot Standby routers in group 1 to interoperate:

```
Switch# configure terminal
Switch(config)# interface gigabitethernet0/1
Switch(config-if)# no switchport
Switch(config-if)# standby 1 authentication word
Switch(config-if)# end
```

This example shows how to set the timers on standby group 1 with the time between hello packets at 5 seconds and the time after which a router is considered down to be 15 seconds:

```
Switch# configure terminal
Switch(config)# interface gigabitethernet0/1
Switch(config-if)# no switchport
Switch(config-if)# standby 1 ip
Switch(config-if)# standby 1 timers 5 15
Switch(config-if)# end
```

## Enabling HSRP Support for ICMP Redirect Messages

ICMP (Internet Control Message Protocol) redirect messages are automatically enabled on interfaces configured with HSRP. This feature filters outgoing ICMP redirect messages through HSRP, in which the next hop IP address might be changed to an HSRP virtual IP address. ICMP is a network layer Internet protocol that provides message packets to report errors and other information relevant to IP processing. ICMP provides diagnostic functions, such as sending and directing error packets to the host.

When the switch is running HSRP, make sure hosts do not discover the interface (or real) MAC addresses of routers in the HSRP group. If a host is redirected by ICMP to the real MAC address of a router and that router later fails, packets from the host are lost.

For more information, see the *Cisco IOS IP Configuration Guide, Release 12.2*.

## Displaying HSRP Configurations

From privileged EXEC mode, use this command to display HSRP settings:

**show standby** [*interface-id* [*group*]] [**brief**] [**detail**]

You can display HSRP information for the whole switch, for a specific interface, for an HSRP group, or for an HSRP group on an interface. You can also specify whether to display a concise overview of HSRP information or detailed HSRP information. The default display is **detail**. If there are a large number of HSRP groups, using the **show standby** command without qualifiers can result in an unwieldy display.

This is an example of output from the **show standby** privileged EXEC command, displaying HSRP information for two standby groups (group 1 and group 100):

```
Switch# show standby
VLAN1 - Group 1
  Local state is Standby, priority 105, may preempt
  Hellotime 3 holdtime 10
  Next hello sent in 00:00:02.182
  Hot standby IP address is 172.20.128.3 configured
  Active router is 172.20.128.1 expires in 00:00:09
  Standby router is local
  Standby virtual mac address is 0000.0c07.ac01
  Name is bbb
VLAN1 - Group 100
  Local state is Active, priority 105, may preempt
  Hellotime 3 holdtime 10
  Next hello sent in 00:00:02.262
  Hot standby IP address is 172.20.138.51 configured
  Active router is local
  Standby router is unknown expired
  Standby virtual mac address is 0000.0c07.ac64
  Name is test
```



## Configuring Cisco IOS IP SLAs Operations

---

This chapter describes how to use Cisco IOS IP Service Level Agreements (SLAs) and the IETF Two-Way Active Measurement Protocol (TWAMP) on the Cisco ME 3400E Ethernet Access switch. Cisco IP SLAs is a part of Cisco IOS software that allows Cisco customers to analyze IP service levels for IP applications and services by using active traffic monitoring—the generation of traffic in a continuous, reliable, and predictable manner—for measuring network performance. With Cisco IOS IP SLAs, service provider customers can measure and provide service level agreements, and enterprise customers can verify service levels, verify outsourced service level agreements, and understand network performance. Cisco IOS IP SLAs can perform network assessments, verify quality of service (QoS), ease the deployment of new services, and assist with network troubleshooting.

TWAMP defines a standard for measuring round-trip network performance between any two devices that support the protocol. Beginning with Cisco IOS Release 12.2(52)SE, you can implement TWAMP on the Cisco ME 3400E Ethernet Access switch.

For more information about IP SLAs, see the *Cisco IOS IP SLAs Configuration Guide, Release 12.4T* at this URL:

[http://www.cisco.com/en/US/docs/ios/ipsla/configuration/guide/12\\_4t/sla\\_12\\_4t\\_book.html](http://www.cisco.com/en/US/docs/ios/ipsla/configuration/guide/12_4t/sla_12_4t_book.html)

For command syntax information, see the command reference at this URL:

[http://www.cisco.com/en/US/docs/ios/ipsla/command/reference/sla\\_book.html](http://www.cisco.com/en/US/docs/ios/ipsla/command/reference/sla_book.html)

This chapter consists of these sections:

- [Understanding Cisco IOS IP SLAs, page 41-1](#)
- [Configuring IP SLAs Operations, page 41-6](#)
- [Monitoring IP SLAs Operations, page 41-13](#)
- [Understanding TWAMP, page 41-14](#)
- [Configuring TWAMP, page 41-14](#)

## Understanding Cisco IOS IP SLAs

Cisco IOS IP SLAs sends data across the network to measure performance between multiple network locations or across multiple network paths. It simulates network data and IP services and collects network performance information in real time. Cisco IOS IP SLAs generates and analyzes traffic either between Cisco IOS devices or from a Cisco IOS device to a remote IP device such as a network application server. Measurements provided by the various Cisco IOS IP SLAs operations can be used for troubleshooting, for problem analysis, and for designing network topologies.

Depending on the specific Cisco IOS IP SLAs operation, various network performance statistics are monitored within the Cisco device and stored in both command-line interface (CLI) and Simple Network Management Protocol (SNMP) MIBs. IP SLAs packets have configurable IP and application layer options such as source and destination IP address, User Datagram Protocol (UDP)/TCP port numbers, a type of service (ToS) byte (including Differentiated Services Code Point [DSCP] and IP Prefix bits), Virtual Private Network (VPN) routing/forwarding instance (VRF), and URL web address.

Because Cisco IP SLAs is Layer 2 transport independent, you can configure end-to-end operations over disparate networks to best reflect the metrics that an end user is likely to experience. IP SLAs collects a unique subset of these performance metrics:

- Delay (both round-trip and one-way)
- Jitter (directional)
- Packet loss (directional)
- Packet sequencing (packet ordering)
- Path (per hop)
- Connectivity (directional)
- Server or website download time

Because Cisco IOS IP SLAs is SNMP-accessible, it can also be used by performance-monitoring applications like CiscoWorks Internetwork Performance Monitor (IPM) and other third-party Cisco partner performance management products. You can find more details about network management products that use Cisco IOS IP SLAs at this URL:

<http://www.cisco.com/go/ipsla>

Using IP SLAs can provide these benefits:

- Service-level agreement monitoring, measurement, and verification.
- Network performance monitoring
  - Measures the jitter, latency, or packet loss in the network.
  - Provides continuous, reliable, and predictable measurements.
- IP service network health assessment to verify that the existing QoS is sufficient for new IP services.
- Edge-to-edge network availability monitoring for proactive verification and connectivity testing of network resources (for example, shows the network availability of an NFS server used to store business critical data from a remote site).
- Troubleshooting of network operation by providing consistent, reliable measurement that immediately identifies problems and saves troubleshooting time.
- Multiprotocol Label Switching (MPLS) performance monitoring and network verification (if the switch supports MPLS)

This section includes this information about IP SLAs functionality:

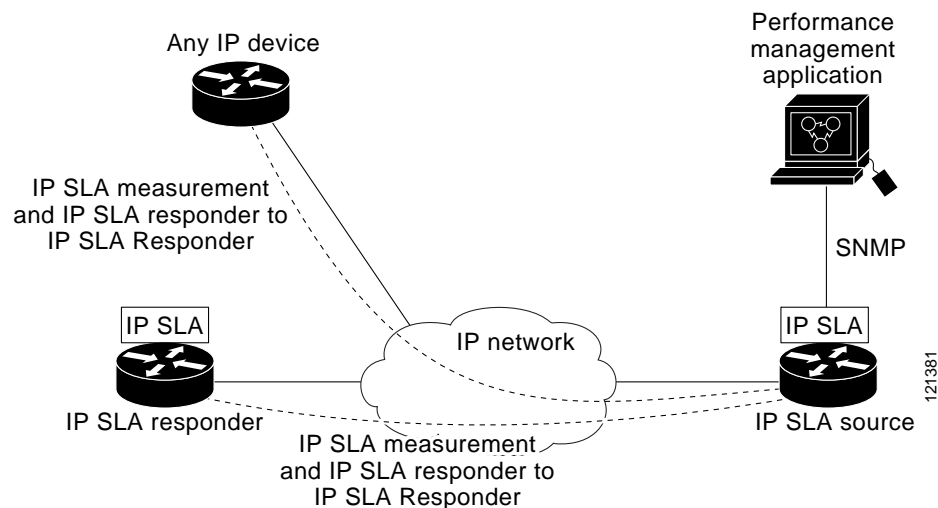
- [Using Cisco IOS IP SLAs to Measure Network Performance, page 41-3](#)
- [IP SLAs Responder and IP SLAs Control Protocol, page 41-4](#)
- [Response Time Computation for IP SLAs, page 41-4](#)
- [IP SLAs Operation Scheduling, page 41-5](#)
- [IP SLAs Operation Threshold Monitoring, page 41-5](#)



## Using Cisco IOS IP SLAs to Measure Network Performance

You can use IP SLAs to monitor the performance between any area in the network—core, distribution, and edge—without deploying a physical probe. It uses generated traffic to measure network performance between two networking devices. Figure 41-1 shows how IP SLAs begins when the source device sends a generated packet to the destination device. After the destination device receives the packet, depending on the type of IP SLAs operation, it responds with time-stamp information for the source to make the calculation on performance metrics. An IP SLAs operation performs a network measurement from the source device to a destination in the network using a specific protocol such as UDP.

Figure 41-1 Cisco IOS IP SLAs Operation



To implement IP SLAs network performance measurement, you need to perform these tasks:

1. Enable the IP SLAs responder, if required.
2. Configure the required IP SLAs operation type.
3. Configure any options available for the specified operation type.
4. Configure threshold conditions, if required.
5. Schedule the operation to run, then let the operation run for a period of time to gather statistics.
6. Display and interpret the results of the operation using the Cisco IOS CLI or a network management system (NMS) system with SNMP.

For more information about IP SLAs operations, see the operation-specific chapters in the *Cisco IOS IP SLAs Configuration Guide* at this URL:

[http://www.cisco.com/en/US/docs/ios/ipsla/configuration/guide/12\\_4t/sla\\_12\\_4t\\_book.html](http://www.cisco.com/en/US/docs/ios/ipsla/configuration/guide/12_4t/sla_12_4t_book.html)



### Note

The switch does not support IP SLAs Voice over IP (VoIP) service levels using the gatekeeper registration delay operations measurements. Before configuring any IP SLAs application, you can use the **show ip sla application** privileged EXEC command to verify that the operation type is supported on your software image.

## IP SLAs Responder and IP SLAs Control Protocol

The IP SLAs responder is a component embedded in the destination Cisco device that allows the system to anticipate and respond to IP SLAs request packets. The responder provides accurate measurements without the need for dedicated probes. The responder uses the Cisco IOS IP SLAs Control Protocol to provide a mechanism through which it can be notified on which port it should listen and respond. Only a Cisco IOS device can be a source for a destination IP SLAs Responder.

**Note**

The IP SLAs responder can be a Cisco IOS Layer 2, responder-configurable switch, such as a Catalyst 2960 or Cisco ME 2400 switch or a Cisco ME 3400 switch running the metro base image. The responder does not need to support full IP SLAs functionality.

Figure 41-1 shows where the Cisco IOS IP SLAs responder fits in the IP network. The responder listens on a specific port for control protocol messages sent by an IP SLAs operation. Upon receipt of the control message, it enables the specified UDP or TCP port for the specified duration. During this time, the responder accepts the requests and responds to them. It disables the port after it responds to the IP SLAs packet, or when the specified time expires. MD5 authentication for control messages is available for added security.

You do not need to enable the responder on the destination device for all IP SLAs operations. For example, a responder is not required for services that are already provided by the destination router (such as Telnet or HTTP). You cannot configure the IP SLAs responder on non-Cisco devices and Cisco IOS IP SLAs can send operational packets only to services native to those devices.

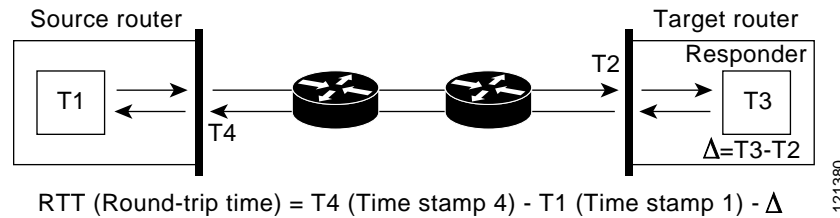
## Response Time Computation for IP SLAs

Switches and routers can take tens of milliseconds to process incoming packets due to other high priority processes. This delay affects the response times because the test-packet reply might be in a queue while waiting to be processed. In this situation, the response times would not accurately represent true network delays. IP SLAs minimizes these processing delays on the source device as well as on the target device (if the responder is being used) to determine true round-trip times. IP SLAs test packets use time stamping to minimize the processing delays.

When the IP SLAs responder is enabled, it allows the target device to take time stamps when the packet arrives on the interface at interrupt level and again just as it is leaving, eliminating the processing time. This time stamping is made with a granularity of sub-milliseconds (ms).

Figure 41-2 demonstrates how the responder works. Four time stamps are taken to make the calculation for round-trip time. At the target router, with the responder functionality enabled, time stamp 2 (TS2) is subtracted from time stamp 3 (TS3) to produce the time spent processing the test packet as represented by delta. This delta value is then subtracted from the overall round-trip time. Notice that the same principle is applied by IP SLAs on the source router where the incoming time stamp 4 (TS4) is also taken at the interrupt level to allow for greater accuracy.

Figure 41-2 Cisco IOS IP SLAs Responder Time Stamping



An additional benefit of the two time stamps at the target device is the ability to track one-way delay, jitter, and directional packet loss. Because much network behavior is asynchronous, it is critical to have these statistics. However, to capture one-way delay measurements, you must configure both the source router and target router with Network Time Protocol (NTP) so that the source and target are synchronized to the same clock source. One-way jitter measurements do not require clock synchronization.

## IP SLAs Operation Scheduling

When you configure an IP SLAs operation, you must schedule the operation to begin capturing statistics and collecting error information. You can schedule an operation to start immediately or to start at a certain month, day, and hour. You can use the *pending* option to set the operation to start at a later time. The pending option is an internal state of the operation that is visible through SNMP. The pending state is also used when an operation is a reaction (threshold) operation waiting to be triggered. You can schedule a single IP SLAs operation or a group of operations at one time.

You can schedule several IP SLAs operations by using a single command through the Cisco IOS CLI or the CISCO RTTMON-MIB. Scheduling the operations to run at evenly distributed times allows you to control the amount of IP SLAs monitoring traffic. This distribution of IP SLAs operations helps minimize the CPU utilization and thus improves network scalability.

For more details about the IP SLAs multioperations scheduling functionality, see the “IP SLAs—Multiple Operation Scheduling” chapter of the *Cisco IOS IP SLAs Configuration Guide* at this URL:

[http://www.cisco.com/en/US/docs/ios/ipsla/configuration/guide/12\\_4t/sla\\_12\\_4t\\_book.html](http://www.cisco.com/en/US/docs/ios/ipsla/configuration/guide/12_4t/sla_12_4t_book.html)

## IP SLAs Operation Threshold Monitoring

To support successful service level agreement monitoring, you must have mechanisms that notify you immediately of any possible violation. IP SLAs can send SNMP traps that are triggered by events such as these:

- Connection loss
- Timeout
- Round-trip time threshold
- Average jitter threshold
- One-way packet loss
- One-way jitter

- One-way mean opinion score (MOS)
- One-way latency

An IP SLAs threshold violation can also trigger another IP SLAs operation for further analysis. For example, the frequency could be increased or an ICMP path echo or ICMP path jitter operation could be initiated for troubleshooting.

Determining the type of threshold and the level to set can be complex, and depends on the type of IP service being used in the network. For more details on using thresholds with Cisco IOS IP SLAs operations, see the “IP SLAs—Proactive Threshold Monitoring” chapter of the Cisco IOS IP SLAs Configuration Guide at this URL:

[http://www.cisco.com/en/US/docs/ios/ipsla/configuration/guide/12\\_4t/sla\\_12\\_4t\\_book.html](http://www.cisco.com/en/US/docs/ios/ipsla/configuration/guide/12_4t/sla_12_4t_book.html)

## Configuring IP SLAs Operations

This section does not include configuration information for all available operations as the configuration information details are included in the *Cisco IOS IP SLAs Configuration Guide*. It does include several operations as examples, including configuring the responder, configuring UDP jitter operation, which requires a responder, and configuring ICMP echo operation, which does not require a responder. For details about configuring other operations, see the *Cisco IOS IP SLAs Configuration Guide* at this URL:

[http://www.cisco.com/en/US/docs/ios/ipsla/configuration/guide/12\\_4t/sla\\_12\\_4t\\_book.html](http://www.cisco.com/en/US/docs/ios/ipsla/configuration/guide/12_4t/sla_12_4t_book.html)

This section includes this information:

- [Default Configuration, page 41-6](#)
- [Configuration Guidelines, page 41-6](#)
- [Configuring the IP SLAs Responder, page 41-7](#)
- [Analyzing IP Service Levels by Using the UDP Jitter Operation, page 41-8](#)
- [Analyzing IP Service Levels by Using the ICMP Echo Operation, page 41-11](#)

## Default Configuration

No IP SLAs operations are configured.

## Configuration Guidelines

For information on the IP SLAs commands, see the *Cisco IOS IP SLAs Command Reference, Release 12.4T* command reference at this URL:

[http://www.cisco.com/en/US/docs/ios/ipsla/command/reference/sla\\_book.html](http://www.cisco.com/en/US/docs/ios/ipsla/command/reference/sla_book.html)

For detailed descriptions and configuration procedures, see the *Cisco IOS IP SLAs Configuration Guide, Release 12.4T* at this URL:

[http://www.cisco.com/en/US/docs/ios/ipsla/configuration/guide/12\\_4t/sla\\_12\\_4t\\_book.html](http://www.cisco.com/en/US/docs/ios/ipsla/configuration/guide/12_4t/sla_12_4t_book.html)

Note that not all of the IP SLAs commands or operations described in this guide are supported on the switch. The switch supports IP service level analysis by using UDP jitter, UDP echo, HTTP, TCP connect, ICMP echo, ICMP path echo, ICMP path jitter, FTP, DNS, and DHCP, as well as multiple operation scheduling and proactive threshold monitoring. It does not support IP SLAs VoIP service levels using the gatekeeper registration delay operations measurements.

Before configuring any IP SLAs application, you can use the **show ip sla application** privileged EXEC command to verify that the operation type is supported on your software image. This is an example of the output from the command:

```
Switch# show ip sla application
      IP SLAs
Version: 2.2.0 Round Trip Time MIB, Infrastructure Engine-II
Time of last change in whole IP SLAs: 22:17:39.117 UTC Fri Jun
Estimated system max number of entries: 15801

Estimated number of configurable operations: 15801
Number of Entries configured      : 0
Number of active Entries         : 0
Number of pending Entries        : 0
Number of inactive Entries       : 0

      Supported Operation Types
Type of Operation to Perform: 802.lagEcho
Type of Operation to Perform: 802.lagJitter
Type of Operation to Perform: dhcp
Type of Operation to Perform: dns
Type of Operation to Perform: echo
Type of Operation to Perform: ftp
Type of Operation to Perform: http
Type of Operation to Perform: jitter
Type of Operation to Perform: pathEcho
Type of Operation to Perform: pathJitter
Type of Operation to Perform: tcpConnect
Type of Operation to Perform: udpEcho

IP SLAs low memory water mark: 21741224
```

## Configuring the IP SLAs Responder

The IP SLAs responder is available only on Cisco IOS software-based devices, including some Layer 2 switches that do not support full IP SLAs functionality, such as the Catalyst 2960 or the Cisco ME 2400 switch or a Cisco ME 3400 switch running the metro base image. Beginning in privileged EXEC mode, follow these steps to configure the IP SLAs responder on the target device (the operational target):

	Command	Purpose
Step 1	<b>configure terminal</b>	Enter global configuration mode.
Step 2	<b>ip sla responder {tcp-connect   udp-echo} ipaddress ip-address port port-number</b>	<p>Configure the switch as an IP SLAs responder.</p> <p>The keywords have these meanings:</p> <ul style="list-style-type: none"> <li>• <b>tcp-connect</b>—Enable the responder for TCP connect operations.</li> <li>• <b>udp-echo</b>—Enable the responder for User Datagram Protocol (UDP) echo or jitter operations.</li> <li>• <b>ipaddress ip-address</b>—Enter the destination IP address.</li> <li>• <b>port port-number</b>—Enter the destination port number.</li> </ul> <p><b>Note</b> The IP address and port number must match those configured on the source device for the IP SLAs operation.</p>
Step 3	<b>end</b>	Return to privileged EXEC mode.

	Command	Purpose
Step 4	<b>show ip sla responder</b>	Verify the IP SLAs responder configuration on the device.
Step 5	<b>copy running-config startup-config</b>	(Optional) Save your entries in the configuration file.

To disable the IP SLAs responder, enter the **no ip sla responder** global configuration command. This example shows how to configure the device as a responder for the UDP jitter IP SLAs operation in the next procedure:

```
Switch(config)# ip sla responder udp-echo 172.29.139.134 5000
```

## Analyzing IP Service Levels by Using the UDP Jitter Operation

Jitter means interpacket delay variance. When multiple packets are sent consecutively 10 ms apart from source to destination, if the network is behaving correctly, the destination should receive them 10 ms apart. But if there are delays in the network (like queuing, arriving through alternate routes, and so on) the arrival delay between packets might be more than or less than 10 ms with a positive jitter value meaning that the packets arrived more than 10 ms apart. If the packets arrive 12 ms apart, positive jitter is 2 ms; if the packets arrive 8 ms apart, negative jitter is 2 ms. For delay-sensitive networks, positive jitter values are undesirable, and a jitter value of 0 is ideal.

In addition to monitoring jitter, the IP SLAs UDP jitter operation can be used as a multipurpose data gathering operation. The packets IP SLAs generates carry packet sending and receiving sequence information and sending and receiving time stamps from the source and the operational target. Based on these, UDP jitter operations measure this data:

- Per-direction jitter (source to destination and destination to source)
- Per-direction packet-loss
- Per-direction delay (one-way delay)
- Round-trip delay (average round-trip time)

Because the paths for the sending and receiving of data can be different (asymmetric), you can use the per-direction data to more readily identify where congestion or other problems are occurring in the network.

The UDP jitter operation generates synthetic (simulated) UDP traffic and sends a number of UDP packets, each of a specified size, sent a specified number of milliseconds apart, from a source router to a target router, at a given frequency. By default, ten packet-frames, each with a payload size of 10 bytes are generated every 10 ms, and the operation is repeated every 60 seconds. You can configure each of these parameters to best simulate the IP service you want to provide.

To provide accurate one-way delay (latency) measurements, time synchronization, such as that provided by NTP, is required between the source and the target device. Time synchronization is not required for the one-way jitter and packet loss measurements. If the time is not synchronized between the source and target devices, one-way jitter and packet loss data is returned, but values of 0 are returned for the one-way delay measurements provided by the UDP jitter operation



### Note

Before you configure a UDP jitter operation on the source device, you must enable the IP SLAs responder on the target device (the operational target).

Beginning in privileged EXEC mode, follow these steps to configure UDP jitter operation on the source device:

	Command	Purpose
Step 1	<b>configure terminal</b>	Enter global configuration mode.
Step 2	<b>ip sla operation-number</b>	Create an IP SLAs operation, and enter IP SLAs configuration mode.
Step 3	<b>udp-jitter</b> { <i>destination-ip-address</i>   <i>destination-hostname</i> } <i>destination-port</i> [ <b>source-ip</b> { <i>ip-address</i>   <i>hostname</i> }] [ <b>source-port</b> <i>port-number</i> ] [ <b>control</b> { <b>enable</b>   <b>disable</b> }] [ <b>num-packets</b> <i>number-of-packets</i> ] [ <b>interval</b> <i>interpacket-interval</i> ]	Configure the IP SLAs operation as a UDP jitter operation, and enter UDP jitter configuration mode. <ul style="list-style-type: none"> <li>• <i>destination-ip-address</i>   <i>destination-hostname</i>—Specify the destination IP address or hostname.</li> <li>• <i>destination-port</i>—Specify the destination port number in the range from 1 to 65535.</li> <li>• (Optional) <b>source-ip</b> {<i>ip-address</i>   <i>hostname</i>}—Specify the source IP address or hostname. When a source IP address or hostname is not specified, IP SLAs chooses the IP address nearest to the destination</li> <li>• (Optional) <b>source-port</b> <i>port-number</i>—Specify the source port number in the range from 1 to 65535. When a port number is not specified, IP SLAs chooses an available port.</li> <li>• (Optional) <b>control</b>—Enable or disable sending of IP SLAs control messages to the IP SLAs responder. By default, IP SLAs control messages are sent to the destination device to establish a connection with the IP SLAs responder</li> <li>• (Optional) <b>num-packets</b> <i>number-of-packets</i>—Enter the number of packets to be generated. The range is 1 to 6000; the default is 10.</li> <li>• (Optional) <b>interval</b> <i>inter-packet-interval</i>—Enter the interval between sending packets in milliseconds. The range is 1 to 6000; the default value is 20 ms.</li> </ul>
Step 4	<b>frequency</b> <i>seconds</i>	(Optional) Set the rate at which a specified IP SLAs operation repeats. The range is from 1 to 604800 seconds; the default is 60 seconds.
Step 5	<b>exit</b>	Exit UDP jitter configuration mode, and return to global configuration mode.

	Command	Purpose
Step 6	<b>ip sla monitor schedule</b> <i>operation-number</i> [ <b>life</b> { <b>forever</b>   <i>seconds</i> }] [ <b>start-time</b> { <i>hh:mm</i> [: <i>ss</i> ] [ <i>month day</i>   <i>day month</i> ]   <b>pending</b>   <b>now</b>   <b>after</b> <i>hh:mm:ss</i> ] [ <b>ageout</b> <i>seconds</i> ] [ <b>recurring</b> ]	Configure the scheduling parameters for an individual IP SLAs operation. <ul style="list-style-type: none"> <li>• <i>operation-number</i>—Enter the RTR entry number.</li> <li>• (Optional) <b>life</b>—Set the operation to run indefinitely (<b>forever</b>) or for a specific number of <i>seconds</i>. The range is from 0 to 2147483647. The default is 3600 seconds (1 hour).</li> <li>• (Optional) <b>start-time</b>—Enter the time for the operation to begin collecting information: <ul style="list-style-type: none"> <li>– To start at a specific time, enter the hour, minute, second (in 24-hour notation), and day of the month. If no month is entered, the default is the current month.</li> <li>– Enter <b>pending</b> to select no information collection until a start time is selected.</li> <li>– Enter <b>now</b> to start the operation immediately.</li> <li>– Enter <b>after</b> <i>hh:mm:ss</i> to show that the operation should start after the entered time has elapsed.</li> </ul> </li> <li>• (Optional) <b>ageout</b> <i>seconds</i>—Enter the number of seconds to keep the operation in memory when it is not actively collecting information. The range is 0 to 2073600 seconds, the default is 0 seconds (never ages out).</li> <li>• (Optional) <b>recurring</b>—Set the operation to automatically run every day.</li> </ul>
Step 7	<b>end</b>	Return to privileged EXEC mode.
Step 8	<b>show ip sla configuration</b> <i>[operation-number]</i>	(Optional) Display configuration values, including all defaults for all IP SLAs operations or a specified operation.
Step 9	<b>copy running-config startup-config</b>	(Optional) Save your entries in the configuration file.

To disable the IP SLAs operation, enter the no **ip sla** *operation-number* global configuration command. This example shows how to configure a UDP jitter IP SLAs operation:

```
Switch(config)# ip sla 10
Switch(config-ip-sla)# udp-jitter 172.29.139.134 5000
Switch(config-ip-sla-jitter)# frequency 30
Switch(config-ip-sla-jitter)# exit
Switch(config)# ip sla schedule 5 start-time now life forever
Switch(config)# end
Switch# show ip sla configuration 10
IP SLAs, Infrastructure Engine-II.
```

```
Entry number: 10
Owner:
Tag:
Type of operation to perform: udp-jitter
Target address/Source address: 1.1.1.1/0.0.0.0
Target port/Source port: 2/0
Request size (ARR data portion): 32
Operation timeout (milliseconds): 5000
Packet Interval (milliseconds)/Number of packets: 20/10
Type Of Service parameters: 0x0
Verify data: No
Vrf Name:
Control Packets: enabled
```



```

Schedule:
  Operation frequency (seconds): 30
  Next Scheduled Start Time: Pending trigger
  Group Scheduled : FALSE
  Randomly Scheduled : FALSE
  Life (seconds): 3600
  Entry Ageout (seconds): never
  Recurring (Starting Everyday): FALSE
  Status of entry (SNMP RowStatus): notInService
Threshold (milliseconds): 5000
Distribution Statistics:
  Number of statistic hours kept: 2
  Number of statistic distribution buckets kept: 1
  Statistic distribution interval (milliseconds): 20
Enhanced History:

```

## Analyzing IP Service Levels by Using the ICMP Echo Operation

The ICMP echo operation measures end-to-end response time between a Cisco device and any devices using IP. Response time is computed by measuring the time taken between sending an ICMP echo request message to the destination and receiving an ICMP echo reply. Many customers use IP SLAs ICMP-based operations, in-house ping testing, or ping-based dedicated probes for response time measurements between the source IP SLAs device and the destination IP device. The IP SLAs ICMP echo operation conforms to the same specifications as ICMP ping testing, and the two methods result in the same response times.



### Note

This operation does not require the IP SLAs responder to be enabled.

Beginning in privileged EXEC mode, follow these steps to configure an ICMP echo operation on the source device:

	Command	Purpose
Step 1	<b>configure terminal</b>	Enter global configuration mode.
Step 2	<b>ip sla operation-number</b>	Create an IP SLAs operation and enter IP SLAs configuration mode.
Step 3	<b>icmp-echo</b> { <i>destination-ip-address</i>   <i>destination-hostname</i> } [ <b>source-ip</b> { <i>ip-address</i>   <i>hostname</i> }   <b>source-interface</b> <i>interface-id</i> ]	Configure the IP SLAs operation as an ICMP Echo operation and enter ICMP echo configuration mode. <ul style="list-style-type: none"> <li>• <i>destination-ip-address</i>   <i>destination-hostname</i>—Specify the destination IP address or hostname.</li> <li>• (Optional) <b>source-ip</b> {<i>ip-address</i>   <i>hostname</i>}—Specify the source IP address or hostname. When a source IP address or hostname is not specified, IP SLAs chooses the IP address nearest to the destination</li> <li>• (Optional) <b>source-interface</b> <i>interface-id</i>—Specify the source interface for the operation.</li> </ul>
Step 4	<b>frequency</b> <i>seconds</i>	(Optional) Set the rate at which a specified IP SLAs operation repeats. The range is from 1 to 604800 seconds; the default is 60 seconds.
Step 5	<b>exit</b>	Exit UDP jitter configuration mode, and return to global configuration mode.

	Command	Purpose
Step 6	<b>ip sla schedule</b> <i>operation-number</i> [ <b>life</b> { <b>forever</b>   <i>seconds</i> }] [ <b>start-time</b> { <i>hh:mm</i> [: <i>ss</i> ] [ <i>month day</i>   <i>day month</i> ]   <b>pending</b>   <b>now</b>   <b>after</b> <i>hh:mm:ss</i> ] [ <b>ageout</b> <i>seconds</i> ] [ <b>recurring</b> ]	Configure the scheduling parameters for an individual IP SLAs operation. <ul style="list-style-type: none"> <li>• <i>operation-number</i>—Enter the RTR entry number.</li> <li>• (Optional) <b>life</b>—Set the operation to run indefinitely (<b>forever</b>) or for a specific number of <i>seconds</i>. The range is from 0 to 2147483647. The default is 3600 seconds (1 hour)</li> <li>• (Optional) <b>start-time</b>—Enter the time for the operation to begin collecting information: <ul style="list-style-type: none"> <li>– To start at a specific time, enter the hour, minute, second (in 24-hour notation), and day of the month. If no month is entered, the default is the current month.</li> <li>– Enter <b>pending</b> to select no information collection until a start time is selected.</li> <li>– Enter <b>now</b> to start the operation immediately.</li> <li>– Enter <b>after</b> <i>hh:mm:ss</i> to indicate that the operation should start after the entered time has elapsed.</li> </ul> </li> <li>• (Optional) <b>ageout</b> <i>seconds</i>—Enter the number of seconds to keep the operation in memory when it is not actively collecting information. The range is 0 to 2073600 seconds; the default is 0 seconds (never ages out).</li> <li>• (Optional) <b>recurring</b>—Set the operation to automatically run every day.</li> </ul>
Step 7	<b>end</b>	Return to privileged EXEC mode.
Step 8	<b>show ip sla configuration</b> [ <i>operation-number</i> ]	(Optional) Display configuration values including all defaults for all IP SLAs operations or a specified operation.
Step 9	<b>copy running-config startup-config</b>	(Optional) Save your entries in the configuration file.

To disable the IP SLAs operation, enter the **no ip sla** *operation-number* global configuration command. This example shows how to configure an ICMP echo IP SLAs operation:

```
Switch(config)# ip sla 12
Switch(config-ip-sla)# icmp-echo 172.29.139.134
Switch(config-ip-sla-echo)# frequency 30
Switch(config-ip-sla-echo)# exit
Switch(config)# ip sla schedule 5 start-time now life forever
Switch(config)# end
Switch# show ip sla configuration 22
IP SLAs, Infrastructure Engine-II.
```

```
Entry number: 12
Owner:
Tag:
Type of operation to perform: echo
Target address: 2.2.2.2
Source address: 0.0.0.0
Request size (ARR data portion): 28
Operation timeout (milliseconds): 5000
Type Of Service parameters: 0x0
Verify data: No
Vrf Name:
Schedule:
    Operation frequency (seconds): 60
```

```

Next Scheduled Start Time: Pending trigger
Group Scheduled : FALSE
Randomly Scheduled : FALSE
Life (seconds): 3600
Entry Ageout (seconds): never
Recurring (Starting Everyday): FALSE
Status of entry (SNMP RowStatus): notInService
Threshold (milliseconds): 5000
Distribution Statistics:
  Number of statistic hours kept: 2
  Number of statistic distribution buckets kept: 1
  Statistic distribution interval (milliseconds): 20
History Statistics:
  Number of history Lives kept: 0
  Number of history Buckets kept: 15
  History Filter Type: None
Enhanced History:

```

## Monitoring IP SLAs Operations

Use the User EXEC or Privileged EXEC commands in [Table 41-1](#) to display IP SLAs operations configuration and results.

**Table 41-1** Monitoring IP SLAs Operations

Command	Purpose
<b>show ip sla application</b>	Display global information about Cisco IOS IP SLAs.
<b>show ip sla authentication</b>	Display IP SLAs authentication information.
<b>show ip sla configuration</b> [ <i>entry-number</i> ]	Display configuration values including all defaults for all IP SLAs operations or a specific operation.
<b>show ip sla enhanced-history</b> { <b>collection-statistics</b>   <b>distribution statistics</b> } [ <i>entry-number</i> ]	Display enhanced history statistics for collected history buckets or distribution statistics for all IP SLAs operations or a specific operation.
<b>show ip sla ethernet-monitor configuration</b> [ <i>entry-number</i> ]	Display IP SLAs automatic Ethernet configuration.
<b>show ip sla group schedule</b> [ <i>schedule-entry-number</i> ]	Display IP SLAs group scheduling configuration and details.
<b>show ip sla history</b> [ <i>entry-number</i>   <b>full</b>   <b>tabular</b> ]	Display history collected for all IP SLAs operations
<b>show ip sla mpls-lsp-monitor</b> { <b>collection-statistics</b>   <b>configuration</b>   <b>ldp operational-state</b>   <b>scan-queue</b>   <b>summary</b> } [ <i>entry-number</i> ]   <b>neighbors</b>	Display MPLS label switched path (LSP) Health Monitor operations,
<b>show ip sla reaction-configuration</b> [ <i>entry-number</i> ]	Display the configured proactive threshold monitoring settings for all IP SLAs operations or a specific operation.
<b>show ip sla reaction-trigger</b> [ <i>entry-number</i> ]	Display the reaction trigger information for all IP SLAs operations or a specific operation.
<b>show ip sla responder</b>	Display information about the IP SLAs responder.
<b>show ip sla statistics</b> [ <i>entry-number</i>   <b>aggregated</b>   <b>details</b> ]	Display current or aggregated operational status and statistics.

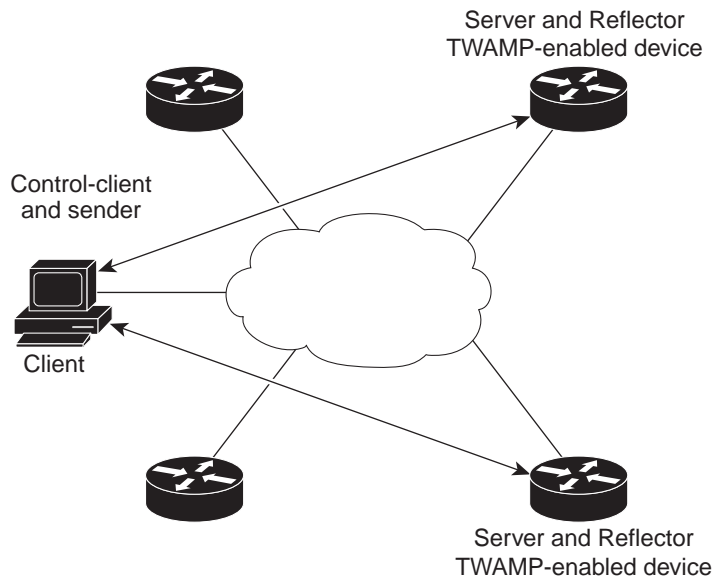
## Understanding TWAMP

TWAMP consists of two related protocols. Use the TWAMP-Control protocol to start performance measurement sessions. Use TWAMP-Test to send and receive performance-measurement probes. You can deploy TWAMP in a simplified network architecture, with the control-client and the session-sender on one device and the server and the session-reflector on another device.

The Cisco IOS software TWAMP implementation supports a basic configuration. [Figure 41-3](#) shows a sample deployment.

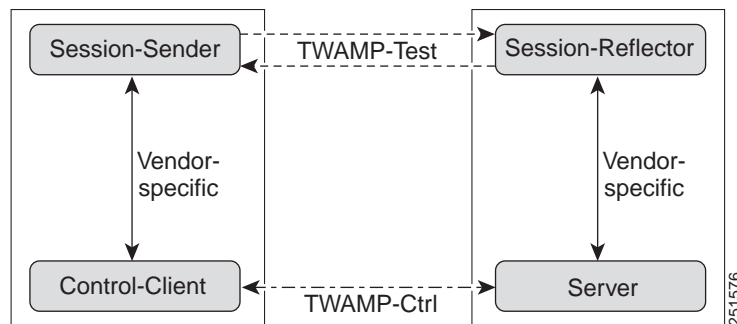
[Figure 41-4](#) shows the four logical entities that comprise TWAMP.

**Figure 41-3** TWAMP Deployment



251575

**Figure 41-4** TWAMP Architecture



251576

Although each entity is separate, the protocol allows for logical merging of the roles on a single device.

## Configuring TWAMP

- [Configuring the TWAMP Server, page 41-15](#)

- [Configuring the TWAMP Reflector, page 41-16](#)
- [Troubleshooting TWAMP, page 41-16](#)

## Configuring the TWAMP Server

The TWAMP server and reflector functionality are configured on the same device.



Note

The switch does not support the TWAMP sender and client roles.

Beginning in privileged EXEC mode, follow these steps to configure the TWAMP server:

	Command	Purpose
Step 1	<b>configure terminal</b>	Enter global configuration mode.
Step 2	<b>ip sla server twamp</b>	Configure the switch as a TWAMP server, and enter TWAMP configuration mode.
Step 3	<b>port</b> <i>port-number</i>	(Optional) Specify the port to be used by the TWAMP server to listen for connection and control requests. The same port negotiates for the port to which performance probes are sent. The configured port should not be an IANA well-known port or any port used by other applications. The default is port 862.
Step 4	<b>timer inactivity</b> <i>seconds</i>	(Optional) Set the maximum time, in seconds, the session can be inactive before the session ends. The range is 1–6000 seconds. The default is 900 seconds.
Step 5	<b>end</b>	Return to privileged EXEC mode.
Step 6s	<b>show ip sla standards</b>	(Optional) Display the IP SLA standards supported on the switch.
Step 7	<b>show ip sla twamp connection requests</b>	(Optional) Display the number and the source of TWAMP connections.
Step 8	<b>show ip sla twamp connection detail</b>	(Optional) Display the connection ID, client IP address and port number, mode and status of TWAMP connections, and the number of test requests.
Step 9	<b>copy running-config startup-config</b>	(Optional) Save your entries in the configuration file.

To disable the IP SLA TWAMP server, enter the **no ip sla server twamp** global configuration command. This example shows how to configure a switch as an IP SLA TWAMP server:

```
Switch(config)# ip sla server twamp
Switch(config-twamp-srvr)# port 9000
Switch(config-twamp-srvr)# timer inactivity 300
```

## Configuring the TWAMP Reflector

The TWAMP server and reflector functionality are both configured on the same device.

Beginning in privileged EXEC mode, follow these steps to configure the TWAMP reflector:

	Command	Purpose
Step 1	<b>configure terminal</b>	Enter global configuration mode.
Step 2	<b>ip sla responder twamp</b>	Configure the switch as a TWAMP responder, and enter TWAMP configuration mode.
Step 3	<b>timeout <i>seconds</i></b>	(Optional) Set the maximum time, in seconds, the session can be inactive before the session ends. The range is 1–604800 seconds. The default is 900 seconds.
Step 4	<b>end</b>	Return to privileged EXEC mode.
Step 5	<b>show ip sla twamp session [source-ip <i>ip-address</i> source-port <i>port-number</i>]</b>	(Optional) Display information about TWAMP test results for the specified client.
Step 6	<b>copy running-config startup-config</b>	(Optional) Save your entries in the configuration file.

To disable the IP SLA TWAMP reflector, enter the **no ip sla responder twamp** global configuration command. This example shows how to configure a switch as an IP SLA TWAMP reflector:

```
Switch(config)# ip sla responder twamp
Switch(config-twamp-srvr)# timeout 300
```

## Troubleshooting TWAMP

Use these commands to troubleshoot TWAMP sessions:

```
debug ip sla error twamp [connection source-ip ip-address | control { reflector | server } | session source-ip ip-address]
```

```
debug ip sla trace twamp [connection source-ip ip-address | control { reflector | server } | session source-ip ip-address]
```



## Configuring Enhanced Object Tracking

---

This chapter describes how to configure enhanced object tracking on the Cisco ME 3400E switch. This feature provides a more complete alternative to the Hot Standby Routing Protocol (HSRP) tracking mechanism, which allows you to track the line-protocol state of an interface. If the line protocol state of an interface goes down, the HSRP priority of the interface is reduced and another HSRP device with a higher priority becomes active. The enhanced object tracking feature separates the tracking mechanism from HSRP and creates a separate, standalone tracking process that can be used by processes other than HSRP. This allows tracking other objects in addition to the interface line-protocol state.

A client process, such as HSRP or Gateway Local Balancing Protocol (GLBP), can register an interest in tracking objects and request notification when the tracked object changes state. This feature increases the availability and speed of recovery of a routing system and decreases outages and outage duration.

For more information about enhanced object tracking and the commands used to configure it, see this URL:

[http://www.cisco.com/en/US/docs/ios/12\\_2t/12\\_2t15/feature/guide/fthsrptk.html](http://www.cisco.com/en/US/docs/ios/12_2t/12_2t15/feature/guide/fthsrptk.html)

The chapter includes these sections:

- [Understanding Enhanced Object Tracking, page 42-1](#)
- [Configuring Enhanced Object Tracking Features, page 42-2](#)
- [Monitoring Enhanced Object Tracking, page 42-12](#)

## Understanding Enhanced Object Tracking

Each tracked object has a unique number that is specified in the tracking command-line interface (CLI). Client processes use this number to track a specific object. The tracking process periodically polls the tracked object for value changes and sends any changes (as up or down values) to interested client processes, either immediately or after a specified delay. Several clients can track the same object, and can take different actions when the object changes state.

You can also track a combination of objects in a list by using either a weight threshold or a percentage threshold to measure the state of the list. You can combine objects using Boolean logic. A tracked list with a Boolean “AND” function requires that each object in the list be in an up state for the tracked object to be up. A tracked list with a Boolean “OR” function needs only one object in the list to be in the up state for the tracked object to be up.

# Configuring Enhanced Object Tracking Features

- [Default Configuration, page 42-2](#)
- [Tracking Interface Line-Protocol or IP Routing State, page 42-2](#)
- [Configuring a Tracked List, page 42-3](#)
- [Configuring HSRP Object Tracking, page 42-7](#)
- [Configuring Other Tracking Characteristics, page 42-8](#)
- [Configuring IP SLAs Object Tracking, page 42-8](#)
- [Configuring Static Routing Support, page 42-10](#)

## Default Configuration

No type of object tracking is configured.

## Tracking Interface Line-Protocol or IP Routing State

You can track either the interface line protocol state or the interface IP routing state. When you track the IP routing state, these three conditions are required for the object to be up:

- IP routing must be enabled and active on the interface.
- The interface line-protocol state must be up.
- The interface IP address must be known.

If all three of these conditions are not met, the IP routing state is down.

Beginning in privileged EXEC mode, follow these steps to track the line-protocol state or IP routing state of an interface:

	Command	Purpose
Step 1	<b>configure terminal</b>	Enter global configuration mode.
Step 2	<b>track</b> <i>object-number</i> <b>interface</b> <i>interface-id</i> <b>line-protocol</b>	(Optional) Create a tracking list to track the line-protocol state of an interface and enter tracking configuration mode. <ul style="list-style-type: none"> <li>• The <i>object-number</i> identifies the tracked object and can be from 1 to 500.</li> <li>• The <b>interface</b> <i>interface-id</i> is the interface being tracked.</li> </ul>
Step 3	<b>delay</b> { <b>up</b> <i>seconds</i> [ <b>down</b> <i>seconds</i> ]}   [ <b>up</b> <i>seconds</i> ] <b>down</b> <i>seconds</i> }	(Optional) Specify a period of time in seconds to delay communicating state changes of a tracked object. The range is from 1 to 180 seconds.
Step 4	<b>exit</b>	Return to global configuration mode.
Step 5	<b>track</b> <i>object-number</i> <b>interface</b> <i>interface-id</i> <b>ip routing</b>	(Optional) Create a tracking list to track the IP routing state of an interface, and enter tracking configuration mode. IP-route tracking tracks an IP route in the routing table and the ability of an interface to route IP packets. <ul style="list-style-type: none"> <li>• The <i>object-number</i> identifies the tracked object and can be from 1 to 500.</li> <li>• The <b>interface</b> <i>interface-id</i> is the interface being tracked.</li> </ul>



	Command	Purpose
Step 6	<b>delay</b> { <b>up</b> <i>seconds</i> [ <b>down</b> <i>seconds</i> ]   [ <b>up</b> <i>seconds</i> ] <b>down</b> <i>seconds</i> }	(Optional) Specify a period of time in seconds to delay communicating state changes of a tracked object. The range is from 1 to 180 seconds.
Step 7	<b>end</b>	Return to privileged EXEC mode.
Step 8	<b>show track</b> <i>object-number</i>	Verify that the specified objects are being tracked.
Step 9	<b>copy running-config startup-config</b>	(Optional) Save your entries in the configuration file.

This example configures the tracking of an interface line-protocol state and verifies the configuration:

```
Switch(config)# track 33 interface gigabitethernet0/1 line-protocol
Switch(config-track)# end
Switch# show track 33
Track 33
  Interface GigabitEthernet0/1 line-protocol
  Line protocol is Down (hw down)
    1 change, last change 00:18:28
```

## Configuring a Tracked List

You can configure a tracked list of objects with a Boolean expression, a weight threshold, or a percentage threshold. A tracked list contains one or more objects. An object must exist before it can be added to the tracked list.

- You configure a Boolean expression to specify calculation by using either “AND” or “OR” operators.
- When you measure the tracked list state by a weight threshold, you assign a weight number to each object in the tracked list. The state of the tracked list is determined by whether or not the threshold was met. The state of each object is determined by comparing the total weight of all objects against a threshold weight for each object.
- When you measure the tracked list by a percentage threshold, you assign a percentage threshold to all objects in the tracked list. The state of each object is determined by comparing the assigned percentages of each object to the list.

## Configuring a Tracked List with a Boolean Expression

Configuring a tracked list with a Boolean expression enables calculation by using either “AND” or “OR” operators. For example, when tracking two interfaces using the “AND” operator, *up* means that both interfaces are up, and *down* means that either interface is down.

Beginning in privileged EXEC mode, follow these steps to configure a tracked list of objects with a Boolean expression:

	Command	Purpose
Step 1	<b>configure terminal</b>	Enter global configuration mode.
Step 2	<b>track track-number list boolean {and   or}</b>	Configure a tracked list object, and enter tracking configuration mode. The <i>track-number</i> can be from 1 to 500. <ul style="list-style-type: none"> <li>• <b>boolean</b>—Specify the state of the tracked list based on a Boolean calculation.</li> <li>• <b>and</b>—Specify that the list is up if all objects are up or down if one or more objects are down.</li> <li>• <b>or</b>—Specify that the list is up if one object is up or down if all objects are down.</li> </ul>
Step 3	<b>object object-number [not]</b>	Specify the object to be tracked. The range is from 1 to 500. The keyword <b>not</b> negates the state of the object, which means that when the object is up, the tracked list detects the object as down.  <b>Note</b> An object must exist before you can add it to a tracked list.
Step 4	<b>delay {up seconds [down seconds]   [up seconds] down seconds}</b>	(Optional) Specify a period of time in seconds to delay communicating state changes of a tracked object. The range is from 1 to 180 seconds.
Step 5	<b>end</b>	Return to privileged EXEC mode.
Step 6	<b>show track object-number</b>	Verify that the specified objects are being tracked.
Step 7	<b>copy running-config startup-config</b>	(Optional) Save your entries in the configuration file.

Use the **no track track-number** global configuration command to delete the tracked list.

This example configures track list 4 with a Boolean AND expression that contains two objects with one object state negated. If the list is up, the list detects that object 2 is down:

```
Switch(config)# track 4 list boolean and
Switch(config-track)# object 1
Switch(config-track)# object 2 not
Switch(config-track)# exit
```

## Configuring a Tracked List with a Weight Threshold

To track by weight threshold, configure a tracked list of objects, specify that weight is used as the threshold, and configure a weight for each of its objects. The state of each object is determined by comparing the total weight of all objects that are up against a threshold weight for each object.

You cannot use the Boolean “NOT” operator in a weight threshold list.

Beginning in privileged EXEC mode, follow these steps to configure a tracked list of objects by using a weight threshold and to configure a weight for each object:

	Command	Purpose
Step 1	<b>configure terminal</b>	Enter global configuration mode.
Step 2	<b>track track-number list threshold weight</b>	Configure a tracked list object and enter tracking configuration mode. The <i>track-number</i> can be from 1 to 500. <ul style="list-style-type: none"> <li>• <b>threshold</b>—Specify the state of the tracked list based on a threshold.</li> <li>• <b>weight</b>—Specify that the threshold is based on weight.</li> </ul>
Step 3	<b>object object-number [weight weight-number]</b>	Specify the object to be tracked. The range is from 1 to 500. The optional <b>weight weight-number</b> specifies a threshold weight for the object. The range is from 1 to 255.  <b>Note</b> An object must exist before you can add it to a tracked list.
Step 4	<b>threshold weight {up number / [down number]}</b>	Specify the threshold weight. <ul style="list-style-type: none"> <li>• <b>up number</b>—The valid range is from 1 to 255.</li> <li>• <b>down number</b>—(Optional) The range depends on the number selected for the <b>up number</b>. If you configure the <b>up number</b> as 25, the range shown for the down number is 0 to 24.</li> </ul>
Step 5	<b>delay {up seconds [down seconds]   [up seconds] down seconds}</b>	(Optional) Specify a period of time in seconds to delay communicating state changes of a tracked object. The range is from 1 to 180 seconds.
Step 6	<b>end</b>	Return to privileged EXEC mode.
Step 7	<b>show track object-number</b>	Verify that the specified objects are being tracked.
Step 8	<b>copy running-config startup-config</b>	(Optional) Save your entries in the configuration file.

Use the **no track track-number** global configuration command to delete the tracked list.

The example configures track list 4 to track by weight threshold. If object 1 and object 2 are down, then track list 4 is up because object 3 satisfies the up threshold value of up 30. But if object 3 is down, both objects 1 and 2 must be up in order to satisfy the threshold weight.

```
Switch(config)# track 4 list threshold weight
Switch(config-track)# object 1 weight 15
Switch(config-track)# object 2 weight 20
Switch(config-track)# object 3 weight 30
Switch(config-track)# threshold weight up 30 down 10
Switch(config-track)# exit
```

This configuration can be useful if object 1 and object 2 represent two small bandwidth connections and object 3 represents one large bandwidth connection. The configured **down 10** value means that once the tracked object is up, it will not go down until the threshold value is equal to or lower than 10, which in this example means that all connections are down.

## Configuring a Tracked List with a Percentage Threshold

To track by percentage threshold, configure a tracked list of objects, specify that a percentage will be used as the threshold, and specify a percentage for all objects in the list. The state of the list is determined by comparing the assigned percentage of each object to the list.

You cannot use the Boolean “NOT” operator in a percentage threshold list.

Beginning in privileged EXEC mode, follow these steps to configure a tracked list of objects by using a percentage threshold:

	Command	Purpose
Step 1	<b>configure terminal</b>	Enter global configuration mode.
Step 2	<b>track track-number list threshold percentage</b>	Configure a tracked list object and enter tracking configuration mode. The <i>track-number</i> can be from 1 to 500. <ul style="list-style-type: none"> <li>• <b>threshold</b>—Specify the state of the tracked list based on a threshold.</li> <li>• <b>percentage</b>—Specify that the threshold is based on percentage.</li> </ul>
Step 3	<b>object object-number</b>	Specify the object to be tracked. The range is from 1 to 500. <b>Note</b> An object must exist before you can add it to a tracked list.
Step 4	<b>threshold percentage {up number / [down number]}</b>	Specify the threshold percentage. <ul style="list-style-type: none"> <li>• <b>up number</b>—The valid range is from 1 to 100.</li> <li>• <b>down number</b>—(Optional) The range depends on the number selected for the <b>up number</b>. If you configure the <b>up number</b> as 25, the range shown for the down number is 0 to 24.</li> </ul>
Step 5	<b>delay {up seconds [down seconds]   [up seconds] down seconds}</b>	(Optional) Specify a period of time in seconds to delay communicating state changes of a tracked object. The range is from 1 to 180 seconds.
Step 6	<b>end</b>	Return to privileged EXEC mode.
Step 7	<b>show track object-number</b>	Verify that the specified objects are being tracked.
Step 8	<b>copy running-config startup-config</b>	(Optional) Save your entries in the configuration file.

Use the **no track track-number** global configuration command to delete the tracked list.

This example configures tracked list 4 with three objects and a specified percentages to measure the state of the list:

```
Switch(config)# track 4 list threshold percentage
Switch(config-track)# object 1
Switch(config-track)# object 2
Switch(config-track)# object 3
Switch(config-track)# threshold percentage up 51 down 10
Switch(config-track)# exit
```

## Configuring HSRP Object Tracking

Beginning in privileged EXEC mode, follow these steps to configure a standby HSRP group to track an object and change the HSRP priority based on the object state:

	Command	Purpose
Step 1	<b>configure terminal</b>	Enter global configuration mode.
Step 2	<b>track</b> <i>object-number</i> { <b>interface</b> <i>interface-id</i> { <b>line-protocol</b>   <b>ip routing</b> }   <b>ip route</b> <i>ip-address/prefix-length</i> { <b>metric threshold</b>   <b>reachability</b> }   <b>list</b> { <b>boolean</b> { <b>and</b>   <b>or</b> } }   { <b>threshold</b> { <b>weight</b>   <b>percentage</b> } } }	<p>(Optional) Create a tracking list to track the configured state and enter tracking configuration mode.</p> <ul style="list-style-type: none"> <li>• The <i>object-number</i> range is from 1 to 500.</li> <li>• Enter <b>interface</b> <i>interface-id</i> to select an interface to track.</li> <li>• Enter <b>line-protocol</b> to track the interface line protocol state or enter <b>ip routing</b> to track the interface IP routing state.</li> <li>• Enter <b>ip route</b> <i>ip-address/prefix-length</i> to track the state of an IP route.</li> <li>• Enter <b>metric threshold</b> to track the threshold metric or enter <b>reachability</b> to track if the route is reachable.</li> </ul> <p>The default up threshold is 254 and the default down threshold is 255.</p> <ul style="list-style-type: none"> <li>• Enter <b>list</b> to track objects grouped in a list. Configure the list as described on the previous pages. <ul style="list-style-type: none"> <li>– For <b>boolean</b>, see the “<a href="#">Configuring a Tracked List with a Boolean Expression</a>” section on page 42-4</li> <li>– For <b>threshold weight</b>, see the “<a href="#">Configuring a Tracked List with a Weight Threshold</a>” section on page 42-5</li> <li>– For <b>threshold percentage</b>, see the “<a href="#">Configuring a Tracked List with a Percentage Threshold</a>” section on page 42-6</li> </ul> </li> </ul> <p><b>Note</b> Repeat this step for each interface to be tracked.</p>
Step 3	<b>exit</b>	Return to global configuration mode.
Step 4	<b>interface</b> <i>interface-id</i>	Enter interface configuration mode.
Step 5	<b>standby</b> [ <i>group-number</i> ] <b>ip</b> [ <i>ip-address</i> [ <b>secondary</b> ]]	<p>Create (or enable) the HSRP group by using its number and virtual IP address.</p> <ul style="list-style-type: none"> <li>• (Optional) <i>group-number</i>—Enter a group number on the interface for which HSRP is being enabled. The range is 0 to 255; the default is 0. If there is only one HSRP group, you do not need to enter a group number.</li> <li>• (Optional on all but one interface) <i>ip-address</i>—Specify the virtual IP address of the hot standby router interface. You must enter the virtual IP address for at least one of the interfaces; it can be learned on the other interfaces.</li> <li>• (Optional) <b>secondary</b>—Specify that the IP address is a secondary hot standby router interface. If this keyword is omitted, the configured address is the primary IP address.</li> </ul>

	Command	Purpose
Step 6	<b>standby</b> [ <i>group-number</i> ] <b>track</b> <i>object-number</i> [ <b>decrement</b> [ <i>priority-decrement</i> ]]	Configure HSRP to track an object and change the hot standby priority based on the state of the object. <ul style="list-style-type: none"> <li>(Optional) <i>group-number</i>—Enter the group number to which the tracking applies.</li> <li><i>object-number</i>—Enter a number representing the object to be tracked. The range is from 1 to 500; the default is 1.</li> <li>(Optional) <b>decrement</b> <i>priority-decrement</i>—Specify the amount by which the hot standby priority for the router is decremented (or incremented) when the tracked object goes down (or comes back up). The range is from 1 to 255; the default is 10.</li> </ul>
Step 7	<b>end</b>	Return to privileged EXEC mode.
Step 8	<b>show standby</b>	Verify the standby router IP address and tracking states.
Step 9	<b>copy running-config startup-config</b>	(Optional) Save your entries in the configuration file.

## Configuring Other Tracking Characteristics

You can also use the enhanced object tracking for tracking other characteristics.

- You can track the reachability of an IP route by using the **track ip route reachability** global configuration command.
- You can use the **track ip route metric threshold** global configuration command to determine if a route is above or below threshold.
- You can use the **track resolution** global configuration command to change the metric resolution default values for routing protocols.
- You can use the **track timer** tracking configuration command to configure the tracking process to periodically poll tracked objects.

Use the **show track** privileged EXEC command to verify enhanced object tracking configuration.

For more information about enhanced object tracking and the commands used to configure it, see this URL:

[http://www.cisco.com/en/US/docs/ios/ipapp/configuration/guide/ipapp\\_eot.html](http://www.cisco.com/en/US/docs/ios/ipapp/configuration/guide/ipapp_eot.html)

## Configuring IP SLAs Object Tracking

Cisco IOS IP Service Level Agreements (IP SLAs) is a network performance measurement and diagnostics tool that uses active monitoring by generating traffic to measure network performance. Cisco IP SLAs operations collects real-time metrics that you can use for network troubleshooting, design, and analysis.

For more information about Cisco IP SLAs on the switch, see [Chapter 41, “Configuring Cisco IOS IP SLAs Operations.”](#) For IP SLAs command information see the *Cisco IOS IP SLAs Command Reference, Release 12.4T* at this URL:

[http://cisco.biz/en/US/docs/ios/ipsla/command/reference/sla\\_book.html](http://cisco.biz/en/US/docs/ios/ipsla/command/reference/sla_book.html)

Object tracking of IP SLAs operations allows clients to track the output from IP SLAs objects and use this information to trigger an action. Every IP SLAs operation maintains an SNMP operation return-code value, such as *OK* or *OverThreshold*, that can be interpreted by the tracking process. You can track two

aspects of IP SLAs operation: state and reachability. For state, if the return code is OK, the track state is up; if the return code is not OK, the track state is down. For reachability, if the return code is OK or OverThreshold, reachability is up; if not OK, reachability is down.

Beginning in privileged EXEC mode, follow these steps to track the state of an IP SLAs operation or the reachability of an IP SLAs IP host:

	Command	Purpose
Step 1	<b>configure terminal</b>	Enter global configuration mode.
Step 2	<b>track</b> <i>object-number</i> <b>rtr</b> <i>operation-number</i> <b>state</b>	Enter tracking configuration mode to track the state of an IP SLAs operation. <ul style="list-style-type: none"> <li>The <i>object-number</i> range is from 1 to 500.</li> <li>The <i>operation-number</i> range is from 1 to 2147483647.</li> </ul>
Step 3	<b>delay</b> { <b>up</b> <i>seconds</i> [ <b>down</b> <i>seconds</i> ]   [ <b>up</b> <i>seconds</i> ] <b>down</b> <i>seconds</i> }	(Optional) Specify a period of time in seconds to delay communicating state changes of a tracked object. The range is from 1 to 180 seconds.
Step 4	<b>exit</b>	Return to global configuration mode.
Step 5	<b>track</b> <i>object-number</i> <b>rtr</b> <i>operation-number</i> <b>reachability</b>	Enter tracking configuration mode to track the reachability of an IP SLAs IP host. <ul style="list-style-type: none"> <li>The <i>object-number</i> range is from 1 to 500.</li> <li>The <i>operation-number</i> range is from 1 to 2147483647.</li> </ul>
Step 6	<b>delay</b> { <b>up</b> <i>seconds</i> [ <b>down</b> <i>seconds</i> ]   [ <b>up</b> <i>seconds</i> ] <b>down</b> <i>seconds</i> }	(Optional) Specify a period of time in seconds to delay communicating state changes of a tracked object. The range is from 1 to 180 seconds.
Step 7	<b>end</b>	Return to privileged EXEC mode.
Step 8	<b>show track</b> <i>object-number</i>	Display tracking information to verify the configuration.
Step 9	<b>copy running-config startup-config</b>	(Optional) Save your entries in the configuration file.

This example shows how to configure and display IP SLAs state tracking:

```
Switch(config)# track 2 200 state
Switch(config)# end
Switch# show track 2
Track 2
  Response Time Reporter 1 state
  State is Down
    1 change, last change 00:00:47
  Latest operation return code: over threshold
  Latest RTT (milliseconds) 4
  Tracked by:
    HSRP Ethernet0/1 3
```

This example output shows whether a route is reachable:

```
Switch(config)# track 3 500 reachability
Switch(config)# end
Switch# show track 3
Track 3
  Response Time Reporter 1 reachability
  Reachability is Up
    1 change, last change 00:00:47
  Latest operation return code: over threshold
  Latest RTT (milliseconds) 4
  Tracked by:
    HSRP Ethernet0/1 3
```

## Configuring Static Routing Support

Static routing support using enhanced object tracking provides the ability for the switch to use ICMP pings to identify when a preconfigured static route or a DHCP route goes down. When tracking is enabled, the system tracks the state of the route and informs the client when that state changes. Static route object tracking uses Cisco IP SLAs to generate ICMP pings to monitor the state of the connection to the primary gateway.

- For more information about Cisco IP SLAs support on the switch, see [Chapter 41, “Configuring Cisco IOS IP SLAs Operations.”](#)
- For more information about static route object tracking, see this URL:  
[http://www.cisco.com/en/US/docs/ios/12\\_3/12\\_3x/12\\_3xe/feature/guide/dbackupx.html](http://www.cisco.com/en/US/docs/ios/12_3/12_3x/12_3xe/feature/guide/dbackupx.html)

You use this process to configure static route object tracking:

- 
- Step 1** Configure a primary interface for static routing or for DHCP.
  - Step 2** Configure an IP SLAs agent to ping an IP address using a primary interface and a track object to monitor the state of the agent.
  - Step 3** Configure a default static default route using a secondary interface. This route is used only if the primary route is removed.
- 

## Configuring a Primary Interface

Beginning in privileged EXEC mode, follow these steps to configure a primary interface for static routing:

	Command	Purpose
Step 1	<b>configure terminal</b>	Enter global configuration mode.
Step 2	<b>interface</b> <i>interface-id</i>	Select a primary or secondary interface and enter interface configuration mode.
Step 3	<b>description</b> <i>string</i>	Add a description to the interface.
Step 4	<b>ip address</b> <i>ip-address mask</i> [ <b>secondary</b> ]	Set the primary or secondary IP address for the interface.
Step 5	<b>exit</b>	Return to global configuration mode.



Beginning in privileged EXEC mode, follow these steps to configure a primary interface for DHCP:

	Command	Purpose
Step 1	<b>configure terminal</b>	Enter global configuration mode.
Step 2	<b>interface</b> <i>interface-id</i>	Select a primary or secondary interface and enter interface configuration mode.
Step 3	<b>description</b> <i>string</i>	Add a description to the interface.
Step 4	<b>ip dhcp client route track</b> <i>number</i>	Configure the DHCP client to associate any added routes with the specified track number. Valid numbers are from 1 to 500.
Step 5	<b>ip address dhcp</b>	Acquire an IP address on an Ethernet interface from DHCP.
Step 6	<b>exit</b>	Return to global configuration mode.

## Configuring a Cisco IP SLAs Monitoring Agent and Track Object

Beginning in privileged EXEC mode, follow these steps to configure network monitoring with Cisco IP SLAs:

Step 1	<b>configure terminal</b>	Enter global configuration mode.
Step 2	<b>ip sla</b> <i>operation-number</i>	Begin configuring a Cisco IP SLAs operation and enter IP SLA configuration mode.
Step 3	<b>icmp-echo</b> { <i>destination-ip-address</i> / <i>destination hostname</i> [ <b>source- ipaddr</b> { <i>ip-address</i> / <i>hostname</i> <b>source-interface</b> <i>interface-id</i> ]}]	Configure a Cisco IP SLAs end-to-end ICMP echo response time operation and enter IP SLAs ICMP echo configuration mode.
Step 4	<b>timeout</b> <i>milliseconds</i>	Set the amount of time for which the operation waits for a response from its request packet.
Step 5	<b>frequency</b> <i>seconds</i>	Set the rate at which the operation is sent into the network.
Step 6	<b>threshold</b> <i>milliseconds</i>	Set the rising threshold (hysteresis) that generates a reaction event and stores history information for the operation.
Step 7	<b>exit</b>	Exit IP SLAs ICMP echo configuration mode.
Step 8	<b>ip sla schedule</b> <i>operation-number</i> [ <b>life</b> { <b>forever</b>   <i>seconds</i> }] <b>start-time</b> <i>time</i>   <b>pending</b>   <b>now</b>   <b>after</b> <i>time</i> ] [ <b>ageout</b> <i>seconds</i> ] [ <b>recurring</b> ]	Configure the scheduling parameters for a single IP SLAs operation.
Step 9	<b>track</b> <i>object-number</i> <b>rtr</b> <i>operation-number</i> { <b>state</b>   <b>reachability</b> }	Track the state of a Cisco IOS IP SLAs operation and enter tracking configuration mode.
Step 10	<b>end</b>	Return to privileged EXEC mode.
Step 11	<b>show track</b> <i>object-number</i>	Display tracking information to verify the configuration.
Step 12	<b>copy running-config startup-config</b>	(Optional) Save your entries in the configuration file.

## Configuring a Routing Policy and Default Route

Beginning in privileged EXEC mode, follow these steps to configure a routing policy for backup static routing by using object tracking. For more details about the commands in the procedure, see this URL:

[http://www.cisco.com/en/US/docs/ios/12\\_3/12\\_3x/12\\_3xe/feature/guide/dbackupx.html](http://www.cisco.com/en/US/docs/ios/12_3/12_3x/12_3xe/feature/guide/dbackupx.html)

Step 1	<b>configure terminal</b>	Enter global configuration mode.
Step 2	<b>access-list</b> <i>access-list-number</i>	Define an extended IP access list. Configure any optional characteristics.
Step 3	<b>route-map</b> <i>map-tag</i> [ <b>permit</b>   <b>deny</b> ] [ <i>sequence-number</i> ]	Enter route-map configuration mode and define conditions for redistributing routes from one routing protocol to another.
Step 4	<b>match ip address</b> { <i>access-list number</i> / <i>access-list name</i> }	Distribute any routes that have a destination network number address that is permitted by a standard or extended access list or performs policy routing on packets. You can enter multiple numbers or names.
Step 5	<b>set ip next-hop dynamic dhcp</b>	For DHCP networks only. Set the next hop to the gateway that was most recently learned by the DHCP client.
Step 6	<b>set interface</b> <i>interface-id</i>	For static routing networks only. Indicate where to send output packets that pass a match clause of a route map for policy routing.
Step 7	<b>exit</b>	Exit route-map configuration mode.
Step 8	<b>ip local policy route-map</b> <i>map-tag</i>	Identify a route map to use for local policy routing.
Step 9	<b>ip route</b> <i>prefix mask</i> { <i>ip-address</i> / <i>interface-id</i> [ <i>ip-address</i> ]} [ <i>distance</i> ] [ <i>name</i> ] [ <b>permanent</b>   <b>track</b> <i>track-number</i> ] [ <i>tag tag</i> ]	For static routing networks only. Establish static routes. Entering <b>track</b> <i>track-number</i> specifies that the static route is installed only if the configured track object is up.
Step 10	<b>end</b>	Return to privileged EXEC mode.
Step 11	<b>show ip route track table</b>	Display information about the IP route track table.
Step 12	<b>copy running-config startup-config</b>	(Optional) Save your entries in the configuration file.

For configuration examples, see this URL:

[http://www.cisco.com/en/US/docs/ios/12\\_3/12\\_3x/12\\_3xe/feature/guide/dbackupx.html](http://www.cisco.com/en/US/docs/ios/12_3/12_3x/12_3xe/feature/guide/dbackupx.html)

## Monitoring Enhanced Object Tracking

Use the privileged EXEC or User EXEC commands in Table 42-1 to display enhanced object tracking information.

**Table 42-1** Commands for Displaying Tracking Information

Command	Purpose
<b>show ip route track table</b>	Display information about the IP route track table.
<b>show track</b> [ <i>object-number</i> ]	Display information about the all tracking lists or the specified list.
<b>show track brief</b>	Display a single line of tracking information output.

**Table 42-1** *Commands for Displaying Tracking Information (continued)*

Command	Purpose
<b>show track interface [brief]</b>	Display information about tracked interface objects.
<b>show track ip [object-number] [brief] route</b>	Display information about tracked IP-route objects.
<b>show track resolution</b>	Display the resolution of tracked parameters.
<b>show track timers</b>	Display tracked polling interval timers.





# CHAPTER 43

## Configuring Ethernet OAM, CFM, and E-LMI

---

Ethernet Operations, Administration, and Maintenance (OAM) is a protocol for installing, monitoring, and troubleshooting Ethernet networks to increase management capability within the context of the overall Ethernet infrastructure. The Cisco ME 3400E switch supports IEEE 802.1ag Connectivity Fault Management (CFM), Ethernet Local Management Interface (E-LMI), and IEEE 802.3ah Ethernet OAM discovery, link monitoring, remote fault detection, and remote loopback. It also supports IP Service Level Agreements (SLAs) for CFM, and ITU-T Y.1731 fault management. Ethernet OAM manager controls the interworking between any two of the protocols (CFM, E-LMI, and OAM).

This chapter provides information about configuring CFM, E-LMI, and the Ethernet OAM protocol. It defines the differences between the ratified CFM 802.1ag standard (draft 8.1) and the previous version supported on the switch in Cisco IOS (draft 1.0). It also includes configuration information for CFM ITU-T.Y.1731 fault management support in this release.

For complete command and configuration information for Ethernet OAM, CFM, E-LMI, and Y.1731, see the *Cisco IOS Carrier Ethernet Configuration Guide* at this URL:

[http://www.cisco.com/en/US/docs/ios/cether/configuration/guide/12\\_2sr/ce\\_12\\_2sr\\_book.html](http://www.cisco.com/en/US/docs/ios/cether/configuration/guide/12_2sr/ce_12_2sr_book.html)

For complete syntax of the commands used in this chapter, see the command reference for this release and the *Cisco IOS Carrier Ethernet Command Reference* at this URL:

[http://www.cisco.com/en/US/docs/ios/cether/command/reference/ce\\_book.html](http://www.cisco.com/en/US/docs/ios/cether/command/reference/ce_book.html)



### Note

The Service Diagnostics 2.0 CFM diagnostic script is part of the 12.2(52)SE release. The script is available for download at:

[http://www.cisco.com/en/US/prod/iosswrel/ps6537/ps6555/ps9424/cisco\\_ios\\_service\\_diagnostics\\_scripts.html](http://www.cisco.com/en/US/prod/iosswrel/ps6537/ps6555/ps9424/cisco_ios_service_diagnostics_scripts.html)

Refer to the Service Diagnostic 2.0 user guide at:

[http://www.cisco.com/en/US/prod/collateral/iosswrel/ps6537/ps6555/ps9424/whitepaper\\_c11-566741.html](http://www.cisco.com/en/US/prod/collateral/iosswrel/ps6537/ps6555/ps9424/whitepaper_c11-566741.html)

This chapter contains these sections:

- [Understanding Ethernet CFM, page 43-2](#)
- [Configuring Ethernet CFM, page 43-7](#)
- [Understanding CFM ITU-T Y.1731 Fault Management, page 43-23](#)
- [Configuring Y.1731 Fault Management, page 43-25](#)
- [Managing and Displaying Ethernet CFM Information, page 43-31](#)
- [Understanding the Ethernet OAM Protocol, page 43-33](#)
- [Setting Up and Configuring Ethernet OAM, page 43-34](#)

- [Displaying Ethernet OAM Protocol Information, page 43-43](#)
- [Enabling Ethernet Loopback, page 43-43](#)
- [Understanding E-LMI, page 43-47](#)
- [Configuring E-LMI, page 43-48](#)
- [Displaying E-LMI and OAM Manager Information, page 43-54](#)
- [Ethernet CFM and Ethernet OAM Interaction, page 43-54](#)

## Understanding Ethernet CFM

Ethernet CFM is an end-to-end per-service-instance (per VLAN) Ethernet layer OAM protocol that includes proactive connectivity monitoring, fault verification, and fault isolation. End-to-end can be provider-edge-to-provider-edge (PE-to-PE) device or customer-edge-to-customer-edge (CE-to-CE) device. Ethernet CFM, as specified by IEEE 802.1ag, is the standard for Layer 2 ping, Layer 2 traceroute, and end-to-end connectivity check of the Ethernet network.

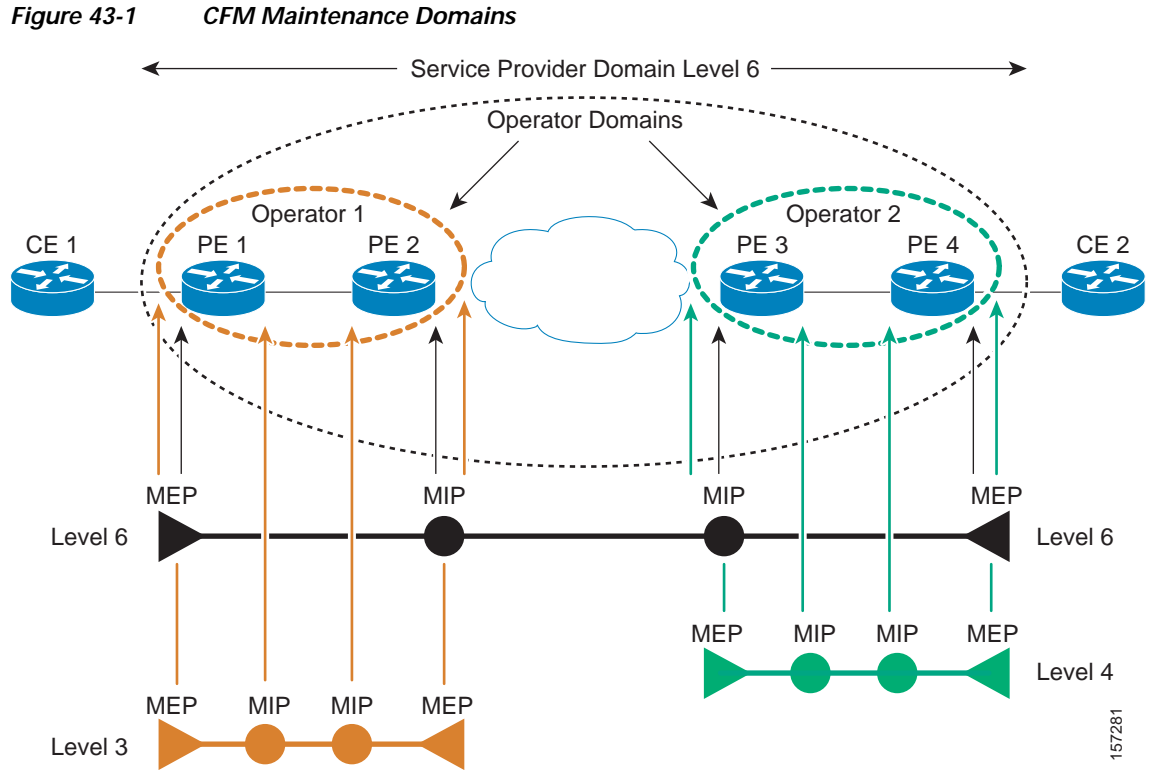
These sections contain conceptual information about Ethernet CFM:

- [CFM Domain, page 43-2](#)
- [Maintenance Associations and Maintenance Points, page 43-3](#)
- [CFM Messages, page 43-5](#)
- [Crosscheck Function and Static Remote MEPs, page 43-5](#)
- [SNMP Traps and Fault Alarms, page 43-5](#)
- [Configuration Error List, page 43-6](#)
- [CFM Version Interoperability, page 43-6](#)
- [IP SLAs Support for CFM, page 43-6](#)

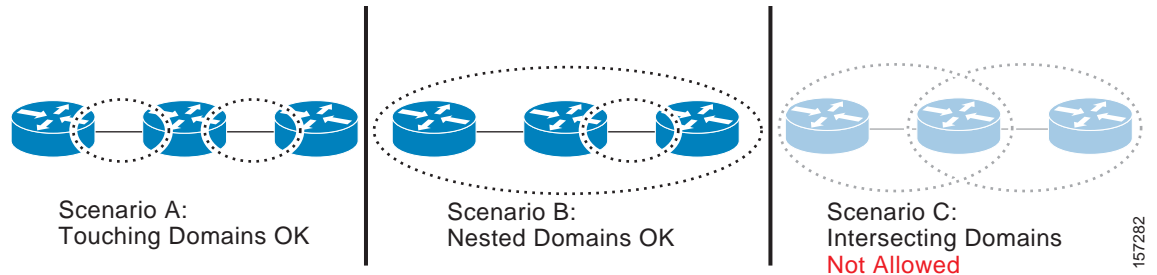
## CFM Domain

A CFM maintenance domain is a management space on a network that is owned and operated by a single entity and defined by a set of ports internal to it, but at its boundary. You assign a unique maintenance level (from 0 to 7) to define the hierarchical relationship between domains. The larger the domain, the higher the level. For example, as shown in [Figure 43-1](#), a service-provider domain would be larger than an operator domain and might have a maintenance level of 6, while the operator domain maintenance level is 3 or 4.

As shown in [Figure 43-2](#), domains cannot intersect or overlap because that would require management by more than one entity, which is not allowed. Domains can touch or nest (if the outer domain has a higher maintenance level than the nested domain). Nesting domains is useful when a service provider contracts with one or more operators to provide Ethernet service. Each operator has its own maintenance domain and the service provider domain is a superset of the operator domains. Maintenance levels of nesting domains should be communicated among the administrating organizations. CFM exchanges messages and performs operations on a per-domain basis.



**Figure 43-2 Allowed Domain Relationships**



## Maintenance Associations and Maintenance Points

A maintenance association (MA) identifies a service that can be uniquely identified within the maintenance domain. The CFM protocol runs within a maintenance association. A maintenance point is a demarcation point on an interface that participates in CFM within a maintenance domain. Maintenance points drop all lower-level frames and forward all higher-level frames. There are two types of maintenance points:

- Maintenance end points (MEPs) are points at the edge of the domain that define the boundaries and confine CFM messages within these boundaries. *Outward facing* or *Down* MEPs communicate through the wire side (connected to the port). *Inward facing* or *Up* MEPs communicate through the relay function side, not the wire side.

**Note**

CFM draft 1 referred to inward and outward-facing MEPs. CFM draft 8.1 refers to up and down MEPs, respectively. This document uses the CFM 8.1 terminology for direction.

CFM draft 1 supported only up MEPs on a per-port or per-VLAN basis. CFM 802.1ag supports up and down per-VLAN MEPs, as well as port MEPs, which are untagged down MEPs that are not associated with a VLAN. Port MEPs are configured to protect a single hop and used to monitor link state through CFM. If a port MEP is not receiving continuity check messages from its peer (static remote MEP), for a specified interval, the port is put into an operational down state in which only CFM and OAM packets pass through, and all other data and control packets are dropped.

- An up MEP sends and receives CFM frames through the relay function. It drops all CFM frames at its level or lower that come from the wire side, except traffic going to the down MEP. For CFM frames from the relay side, it processes the frames at its level and drops frames at a lower level. The MEP transparently forwards all CFM frames at a higher level, regardless of whether they are received from the relay or wire side. If the port on which MEP is configured is blocked by STP, the MEP can still send or receive CFM messages through the relay function. CFM runs at the provider maintenance level (UPE-to-UPE), specifically with up MEPs at the user network interface (UNI).

**Note**

A UNI in the context of CFM and OAM manager is not the same as a UNI port type. The CFM UNI can be a UNI, an enhanced network interface (ENI), or a network node interface (NNI) port type. The switch rate-limits all incoming CFM messages at a fixed rate of 500 frames per second. In CFM draft 1, the control-plane security rate-limited incoming CFM messages only on UNI and ENI port types.

- A down MEP sends and receives CFM frames through the wire connected to the port on which the MEP is configured. It drops all CFM frames at its level or lower that come from the relay side. For CFM frames from the wire side, it processes all CFM frames at its level and drops CFM frames at lower levels except traffic going to the other lower-level down MEP. The MEP transparently forwards all CFM frames at a higher level, regardless of whether they are received from the relay or through the wire.
- Maintenance intermediate points (MIPs) are internal to a domain, not at the boundary, and respond to CFM only when triggered by traceroute and loopback messages. They forward CFM frames received from MEPs and other MIPs, drop all CFM frames at a lower level (unless MIP filtering is enabled), and forward all CFM frames at a higher level and at a lower level and regardless of whether they are received from the relay or wire side. When MIP filtering is enabled, the MIP drops CFM frames at a lower level. MIPs also catalog and forward continuity check messages (CCMs), but do not respond to them.

In the first draft of CFM, MIP filtering was always enabled. In draft 8.1, MIP filtering is disabled by default, and you can configure it to be enabled or disabled. When MIP filtering is disabled, all CFM frames are forwarded.

You can manually configure a MIP or configure the switch to automatically create a MIP. You can configure a MEP without a MIP. In case of a configuration conflict, manually created MIPs take precedence over automatically created MIPs.

If port on which the MEP is configured is blocked by Spanning-Tree Protocol (STP), the MIP can receive and might respond to CFM messages from both the wire and relay side, but cannot forward any CFM messages. This differs from CFM draft 1, where STP blocked ports could not send or receive CFM messages.



## CFM Messages

CFM uses standard Ethernet frames distinguished by EtherType or (for multicast messages) by MAC address. All CFM messages are confined to a maintenance domain and to a service-provider VLAN (S-VLAN). These CFM messages are supported:

- Continuity Check (CC) messages—multicast heartbeat messages exchanged periodically between MEPs that allow MEPs to discover other MEPs within a domain and allow MIPs to discover MEPs. CC messages are configured to a domain or VLAN. Enter the **continuity-check** Ethernet service configuration command to enable CCM.

The default continuity check message (CCM) interval on the switch is 10 seconds. You can set it to be 100 ms, 1 second, 1 minute, or 10 minutes by entering the **continuity-check interval** Ethernet service mode command. Because faster CCM rates are more CPU intensive, we do not recommend configuring a large number of MEPs running at 100 ms intervals.

- Loopback messages—unicast or multicast frames transmitted by a MEP at administrator request to verify connectivity to a particular maintenance point, indicating if a destination is reachable. A loopback message is similar to an Internet Control Message Protocol (ICMP) ping message. Refer to the **ping ethernet** privileged EXEC command.
- Traceroute messages—multicast frames transmitted by a MEP at administrator request to track the path (hop-by-hop) to a destination MEP. Traceroute messages are similar in concept to UDP traceroute messages. Refer to the **traceroute ethernet** privileged EXEC command.

## Crosscheck Function and Static Remote MEPs

The crosscheck function is a timer-driven post-provisioning service verification between dynamically configured MEPs (using crosscheck messages) and expected MEPs (by configuration) for a service. It verifies that all endpoints of a multipoint service are operational. The crosscheck function is performed only one time and is initiated from the command-line interface (CLI).

CFM 802.1ag also supports static remote MEPs or static RMEP check. Unlike the crosscheck function, which is performed only once, configured static RMEP checks run continuously. To configure static RMEP check, enter the **continuity-check static rmep** Ethernet CFM service mode command.

## SNMP Traps and Fault Alarms

The MEPs generate two types of SNMP traps: CC traps and crosscheck traps. Supported CC traps are MEP up, MEP down, cross-connect (a service ID does not match the VLAN), loop, and configuration error. The crosscheck traps are service up, MEP missing (an expected MEP is down), and unknown MEP.

Fault alarms are unsolicited notifications sent to alert the system administrator when CFM detects a fault. In CFM draft 1, fault alarms were sent instantaneously when detected. In CFM 802.1ag, you can configure the priority level of alarms that trigger an SNMP trap or syslog message. You can also configure a delay period before a fault alarm is sent and the time before the alarm is reset.

## Configuration Error List

CFM configuration errors in CFM 802.1ag can be misconfigurations or extra configuration commands detected during MEP configuration. They can be caused by overlapping maintenance associations. For example, if you create a maintenance association with a VLAN list and a MEP on an interface, a potential leak error could occur if other maintenance associations associated with the same VLAN exist at a higher level without any MEPs configured. You can display the configuration error list, which is informational only, by entering the **show ethernet cfm errors configuration** privileged EXEC command.

## CFM Version Interoperability

When customers upgrade their network from the Cisco CFM draft 1 to IEEE standardized 802.1ag CFM, they might not upgrade all equipment at the same time, which could result in a mix of Cisco CFM draft 1 and IEEE standardized CFM devices in the network. CFM areas are regions in a network running Cisco CFM draft 1 software. Internal area bridges are all Cisco devices running CFM draft 1, and external area bridges are devices (Cisco or third-party devices) running IEEE standardized 802.1ag CFM.

Devices at the edge of these areas perform message translation. Translation is not needed for maintenance domains that do not span different areas (that is, where CFM messages end on a port on the device) since the port can respond in the same message format as was received. However, for maintenance domains that span across two areas, the device must translate the CFM message appropriately before sending it on to the other area.

When designing a network with CFM areas, follow these guidelines:

- Whenever possible, group devices with the same CFM version together.
- Minimize the number of boundaries between CFM clusters, minimizing the number of devices that must perform translation.
- Never mix CFM versions on a single segment.

When the network does use both versions of CFM, you can enable translation on the CFM 802.1ag port that is connected to the draft 1 device by entering the **ethernet cfm version cisco** interface configuration command. This command is not supported on port channels or on EtherChannel member ports.



### Note

If you are running CFM draft 1 and upgrade to a software version that supports CFM 802.1ag, the switch automatically transfers the draft 1 configuration to the standard.

## IP SLAs Support for CFM

The switch supports CFM with IP Service Level Agreements (SLAs), which provides the ability to gather Ethernet layer network performance metrics. Available statistical measurements for the IP SLAs CFM operation include round-trip time, jitter (interpacket delay variance), and packet loss. You can schedule multiple IP SLAs operations and use Simple Network Management Protocol (SNMP) trap notifications and syslog messages for proactive threshold violation monitoring.

For more information about IP SLAs, see [Chapter 41, “Configuring Cisco IOS IP SLAs Operations.”](#)

IP SLAs integration with CFM gathers Ethernet layer statistical measurements by sending and receiving Ethernet data frames between CFM MEPs. Performance is measured between the source MEP and the destination MEP. Unlike other IP SLAs operations that provide performance metrics for only the IP layer, IP SLAs with CFM provides performance metrics for Layer 2.

You can manually configure individual Ethernet ping or jitter operations. You can also configure an IP SLAs automatic Ethernet operation that queries the CFM database for all MEPs in a given maintenance domain and VLAN. The operation then automatically creates individual Ethernet ping or jitter operations based on the discovered MEPs.

Because IP SLAs is a Cisco proprietary feature, interoperability between CFM draft 1 and CFM 802.1ag is handled automatically by the switch.

For more information about IP SLAs operation with CFM, see the *IP SLAs Configuration Guide* at this URL:

[http://www.cisco.com/en/US/docs/ios/ipsla/configuration/guide/12\\_4t/sla\\_12\\_4t\\_book.html](http://www.cisco.com/en/US/docs/ios/ipsla/configuration/guide/12_4t/sla_12_4t_book.html)

## Configuring Ethernet CFM

Configuring Ethernet CFM requires configuring the CFM domain. You can optionally configure and enable other CFM features such as crosschecking, remote MEP, port MEPs, SNMP traps, and fault alarms. Note that some of the configuration commands and procedures differ from those used in CFM draft 1.

- [Default Ethernet CFM Configuration, page 43-7](#)
- [Ethernet CFM Configuration Guidelines, page 43-8](#)
- [Configuring the CFM Domain, page 43-8](#)
- [Configuring Ethernet CFM Crosscheck, page 43-12](#)
- [Configuring Static Remote MEP, page 43-13](#)
- [Configuring a Port MEP, page 43-14](#)
- [Configuring SNMP Traps, page 43-15](#)
- [Configuring Fault Alarms, page 43-16](#)
- [Configuring IP SLAs CFM Operation, page 43-17](#)
- [Configuring CFM on C-VLAN \(Inner VLAN\), page 43-21](#)

## Default Ethernet CFM Configuration

CFM is globally disabled.

CFM is enabled on all interfaces when CFM is globally enabled.

A port can be configured as a flow point (MIP/MEP), a transparent port, or disabled (CFM disabled). By default, ports are transparent ports until configured as MEP, MIP, or disabled.

There are no MEPs or MIPs configured.

When configuring a MEP service, if you do not configure direction, the default is up (inward facing).

## Ethernet CFM Configuration Guidelines

- CFM is not supported on and cannot be configured on routed ports or on Layer 3 EtherChannels.
- CFM is supported on Layer 2 EtherChannel port channels. You can configure an EtherChannel port channel as MEP or MIP. However, CFM is not supported on individual ports that belong to an EtherChannel and you cannot add a CFM port to an EtherChannel group.
- Port MEP is not supported on Layer 2 EtherChannels, or on ports that belong to an EtherChannel.
- You cannot configure CFM on VLAN interfaces.
- CFM is supported on trunk ports, access ports, and 802.1Q tunnel ports with these exceptions:
  - Trunk ports configured as MEPs must belong to allowed VLANs
  - Access ports configured as MEPs must belong to the native VLAN.
- You can configure CFM and VLAN translation on the switch at the same time.
- CFM is not supported on private VLAN ports.
- A REP port or FlexLink port can also be a service (VLAN) MEP or MIP, but it cannot be a port MEP.
- CFM is supported on ports running STP.
- You must configure a port MEP at a lower level than any service (VLAN) MEPs on an interface.
- An 802.1Q (QinQ) tunnel port can be a CFM up MEP or a port MEP. On an ME 3400E switch, you can also configure a MEP on a selective QinQ port.
- A QinQ port cannot be a down MEP or a MIP; you can configure the port as a MIP, but it is not active or visible in traceroute. Port MEP frames received on a QinQ interface are not tunneled and are processed locally.
- On a QinQ port, ingress draft 1 traffic is tunneled without translation or consideration of CFM version.
- You cannot configure tunnel mode by using the native VLAN as the S-VLAN or the C-VLAN.
- For port MEP on a QinQ port, do not enter the **vlan dot1q tag native** global configuration command to enable tagging on native VLAN frames.
- Do not configure tagged or untagged 802.1ag CFM packets entering an 802.1Q tunnel port.
- Do not configure double-tagged 802.1ag CFM packets entering a trunk port.

## Configuring the CFM Domain

Beginning in privileged EXEC mode, follow these steps to configure the Ethernet CFM domain, configure a service to connect the domain to a VLAN, or configure a port to act as a MEP. You can also enter the optional commands to configure other parameters, such as continuity checks.



### Note

You do not need to enter the **ethernet cfm ieee** global configuration command to configure the CFM version as IEEE 802.1ag. If you are running Cisco IOS Release 12.2(52)SE or later, the CFM version is always 802.1ag and the command is automatically generated when you enable CFM.

	Command	Purpose
Step 1	<b>configure terminal</b>	Enter global configuration mode.
Step 2	<b>ethernet cfm global</b>	Globally enable Ethernet CFM on the switch.
Step 3	<b>ethernet cfm traceroute cache</b> [ <i>size entries</i> / <i>hold-time minutes</i> ]	(Optional) Configure the CFM traceroute cache. You can set a maximum cache size or hold time. <ul style="list-style-type: none"> <li>(Optional) For <b>size</b>, enter the cache size in number of entry lines. The range is from 1 to 4095; the default is 100 lines.</li> <li>(Optional) For <b>hold-time</b>, enter the maximum cache hold time in minutes. The range is from 1 to 65535; the default is 100 minutes.</li> </ul>
Step 4	<b>ethernet cfm mip auto-create level</b> <i>level-id</i> <b>vlan</b> <i>vlan-id</i>	(Optional) Configure the switch to automatically create MIPs for VLAN IDS that are not associated with specific maintenance associations at the specified level. The level range is 0 to 7. <p><b>Note</b> Configure MIP auto-creation only for VLANs that MIPs should monitor. Configuring for all VLANs can be CPU and memory-intensive.</p>
Step 5	<b>ethernet cfm mip filter</b>	(Optional) Enable MIP filtering, which means that all CFM frames at a lower level are dropped. The default is disabled.
Step 6	<b>ethernet cfm domain</b> <i>domain-name</i> <b>level</b> <i>level-id</i>	Define a CFM domain, set the domain level, and enter ethernet-cfm configuration mode for the domain. The maintenance level number range is 0 to 7.
Step 7	<b>id</b> { <i>mac-address domain_number</i>   <b>dns name</b>   <b>null</b> }	(Optional) Assign a maintenance domain identifier. <ul style="list-style-type: none"> <li><i>mac-address domain_number</i>—Enter the MAC address and a domain number. The number can be from 0 to 65535.</li> <li><b>dns name</b>—Enter a DNS name string. The name can be a maximum of 43 characters.</li> <li><b>null</b>—Assign no domain name.</li> </ul>

	Command	Purpose
Step 8	<b>service</b> { <i>ma-name</i> / <i>ma-number</i> / <i>vpn-id vpn</i> } { <b>vlan</b> <i>vlan-id</i> [ <b>direction down</b> ]   <b>port</b> }	<p>Define a customer service maintenance association (MA) name or number or VPN ID to be associated with the domain, a VLAN ID or port MEP, and enter ethernet-cfm-service configuration mode.</p> <ul style="list-style-type: none"> <li>• <i>ma-name</i>—a string of no more than 100 characters that identifies the MAID.</li> <li>• <i>ma-number</i>—a value from 0 to 65535.</li> <li>• <i>vpn-id vpn</i>—enter a VPN ID as the <i>ma-name</i>.</li> <li>• <b>vlan</b> <i>vlan-id</i>—VLAN range is from 1 to 4094. You cannot use the same VLAN ID for more than one domain at the same level.</li> <li>• (Optional) <b>direction down</b>—specify the service direction as down.</li> <li>• <b>port</b>—Configure port MEP, a down MEP that is untagged and not associated with a VLAN.</li> </ul>
Step 9	<b>continuity-check</b>	Enable sending and receiving of continuity check messages.
Step 10	<b>continuity-check interval</b> <i>value</i>	<p>(Optional) Set the interval at which continuity check messages are sent. The available values are 100 ms, 1 second, 10 seconds, 1 minute and 10 minutes. The default is 10 seconds.</p> <p><b>Note</b> Because faster CCM rates are more CPU-intensive, we do not recommend configuring a large number of MEPs running at 100 ms intervals.</p>
Step 11	<b>continuity-check loss-threshold</b> <i>threshold-value</i>	(Optional) Set the number of continuity check messages to be missed before declaring that an MEP is down. The range is 2 to 255; the default is 3.
Step 12	<b>maximum meps</b> <i>value</i>	(Optional) Configure the maximum number of MEPs allowed across the network. The range is from 1 to 65535. The default is 100.
Step 13	<b>sender-id</b> { <b>chassis</b>   <b>none</b> }	<p>(Optional) Include the sender ID TLVs, attributes containing type, length, and values for neighbor devices.</p> <ul style="list-style-type: none"> <li>• <b>chassis</b>—Send the chassis ID (host name).</li> <li>• <b>none</b>—Do not include information in the sender ID.</li> </ul>
Step 14	<b>mip auto-create</b> [ <b>lower-mep-only</b>   <b>none</b> ]	<p>(Optional) Configure auto creation of MIPs for the service.</p> <ul style="list-style-type: none"> <li>• <b>lower-mep-only</b>—Create a MIP only if there is a MEP for the service in another domain at the next lower active level.</li> <li>• <b>none</b>—No MIP auto-create.</li> </ul>
Step 15	<b>exit</b>	Return to ethernet-cfm configuration mode.

	Command	Purpose
Step 16	<b>mip auto-create</b> [ <b>lower-mep-only</b> ]	(Optional) Configure auto creation of MIPs for the domain. <ul style="list-style-type: none"> <li><b>lower-mep-only</b>—Create a MIP only if there is a MEP for the service in another domain at the next lower active level.</li> </ul>
Step 17	<b>mep archive-hold-time</b> <i>minutes</i>	(Optional) Set the number of minutes that data from a missing maintenance end point is kept before it is purged. The range is 1 to 65535; the default is 100 minutes.
Step 18	<b>exit</b>	Return to global configuration mode.
Step 19	<b>interface</b> <i>interface-id</i>	Specify an interface to configure, and enter interface configuration mode.
Step 20	<b>switchport mode trunk</b>	(Optional) Configure the port as a trunk port.
Step 21	<b>ethernet cfm mip level</b> <i>level-id</i>	(Optional) Configure a customer level or service-provider level maintenance intermediate point (MIP) for the interface. The MIP level range is 0 to 7.  <b>Note</b> This step is not required if you have entered the <b>ethernet cfm mip auto-create</b> global configuration command or the <b>mip auto-create</b> ethernet-cfm or ethernet-cfm-srv configuration mode.
Step 22	<b>ethernet cfm mep domain</b> <i>domain-name</i> <b>mpid identifier</b> { <b>vlan</b> <i>vlan-id</i>   <b>port</b> }	Configure maintenance end points for the domain, and enter ethernet cfm mep mode. <ul style="list-style-type: none"> <li><b>domain</b> <i>domain-name</i>—Specify the name of the created domain.</li> <li><b>mpid identifier</b>—Enter a maintenance end point identifier. The identifier must be unique for each VLAN (service instance). The range is 1 to 8191.</li> <li><b>vlan</b> <i>vlan-id</i>—Enter the service provider VLAN ID or IDs as a VLAN-ID (1 to 4094), a range of VLAN-IDs separated by a hyphen, or a series of VLAN IDs separated by comma.</li> <li><b>port</b>—Configure port MEP.</li> </ul>
Step 23	<b>cos</b> <i>value</i>	(Optional) Specify the class of service (CoS) value to be sent with the messages. The range is 0 to 7.
Step 24	<b>end</b>	Return to privileged EXEC mode.
Step 25	<b>show ethernet cfm maintenance-points</b> { <b>local</b>   <b>remote</b> }	Verify the configuration.
Step 26	<b>show ethernet cfm errors</b> [ <b>configuration</b> ]	(Optional) Display the configuration error list.
Step 27	<b>copy running-config startup-config</b>	(Optional) Save your entries in the configuration file.

Use the **no** versions of the commands to remove the configuration or return to the default configurations.

This is an example of the basic CFM configuration:

```
Switch(config)# ethernet cfm ieee
Switch(config)# ethernet cfm global
Switch(config)# ethernet cfm domain abc level 3
```

```

Switch(config-ecfm)# service test vlan 5
Switch(config-ecfm-srv)# continuity-check
Switch(config-ecfm-srv)# exit
Switch(config-ecfm)# exit
Switch(config)# interface gigabitethernet0/2
Switch(config-if)# ethernet cfm mep domain abc mpid 222 vlan 5
Switch(config-if-ecfm-mep)# exit

```

## Configuring Ethernet CFM Crosscheck

Beginning in privileged EXEC mode, follow these steps to configure Ethernet CFM crosscheck:

	Command	Purpose
Step 1	<b>configure terminal</b>	Enter global configuration mode.
Step 2	<b>ethernet cfm mep crosscheck start-delay</b> <i>delay</i>	Configure the number of seconds that the device waits for remote MEPs to come up before the crosscheck is started. The range is 1 to 65535; the default is 30 seconds.
Step 3	<b>ethernet cfm domain</b> <i>domain-name level level-id</i>	Define a CFM domain, set the domain level, and enter ethernet-cfm configuration mode for the domain. The maintenance level number range is 0 to 7.
Step 4	<b>service</b> { <i>ma-name</i>   <i>ma-number</i>   <i>vpn-id vpn</i> } { <b>vlan</b> <i>vlan-id</i> }	Define a customer service maintenance association name or number or VPN ID to be associated with the domain, and a VLAN ID, and enter ethernet-cfm-service configuration mode. <ul style="list-style-type: none"> <li><i>ma-name</i>—a string of no more than 100 characters that identifies the MAID.</li> <li><i>ma-number</i>—a value from 0 to 65535.</li> <li><i>vpn-id vpn</i>—enter a VPN ID as the <i>ma-name</i>.</li> <li><b>vlan</b> <i>vlan-id</i>—VLAN range is from 1 to 4094. You cannot use the same VLAN ID for more than one domain at the same level.</li> </ul>
Step 5	<b>mep mpid</b> <i>identifier</i>	Define the MEP maintenance end point identifier in the domain and service. The range is 1 to 8191
Step 6	<b>end</b>	Return to privileged EXEC mode.
Step 7	<b>ethernet cfm mep crosscheck</b> { <b>enable</b>   <b>disable</b> } <b>domain</b> <i>domain-name</i> { <b>vlan</b> { <i>vlan-id</i>   <b>any</b> }   <b>port</b> }	Enable or disable CFM crosscheck for one or more VLANs or a port MEP in the domain. <ul style="list-style-type: none"> <li><b>domain</b> <i>domain-name</i>—Specify the name of the created domain.</li> <li><b>vlan</b> {<i>vlan-id</i>   <b>any</b>}—Enter the service provider VLAN ID or IDs as a VLAN-ID (1 to 4094), a range of VLAN-IDs separated by a hyphen, or a series of VLAN IDs separated by comma. Enter <b>any</b> for any VLAN.</li> <li><b>port</b>—Identify a port MEP.</li> </ul>
Step 8	<b>show ethernet cfm maintenance-points remote crosscheck</b>	Verify the configuration.



	Command	Purpose
Step 9	<b>show ethernet cfm errors [configuration]</b>	Enter this command after you enable CFM crosscheck to display the results of the crosscheck operation. Enter the <b>configuration</b> keyword to display the configuration error list.
Step 10	<b>copy running-config startup-config</b>	(Optional) Save your entries in the configuration file.

Use the **no** form of each command to remove a configuration or to return to the default settings.

## Configuring Static Remote MEP

Beginning in privileged EXEC mode, follow these steps to configure Ethernet CFM static remote MEP:

	Command	Purpose
Step 1	<b>configure terminal</b>	Enter global configuration mode.
Step 2	<b>ethernet cfm domain</b> <i>domain-name</i> <b>level</b> <i>level-id</i>	Define a CFM domain, set the domain level, and enter ethernet-cfm configuration mode for the domain. The maintenance level number range is 0 to 7.
Step 3	<b>service</b> { <i>ma-name</i> / <i>ma-number</i> / <i>vpn-id</i> <i>vpn</i> } { <b>vlan</b> <i>vlan-id</i> [ <b>direction down</b> ]   <b>port</b> }	Define a customer service maintenance association name or number or a VPN ID to be associated with the domain, and a VLAN ID or peer MEP, and enter ethernet-cfm-service configuration mode. <ul style="list-style-type: none"> <li>• <i>ma-name</i>—a string of no more than 100 characters that identifies the MAID.</li> <li>• <i>ma-number</i>—a value from 0 to 65535.</li> <li>• <i>vpn-id</i>—enter a VPN ID as the <i>ma-name</i>.</li> <li>• <b>vlan</b> <i>vlan-id</i>—VLAN range is from 1 to 4094. You cannot use the same VLAN ID for more than one domain at the same level.</li> <li>• (Optional) <b>direction down</b>—specify the service direction as down.</li> <li>• <b>port</b>—Configure port MEP, a down MEP that is untagged and not associated with a VLAN.</li> </ul>
Step 4	<b>continuity-check</b>	Enable sending and receiving of continuity check messages.
Step 5	<b>mep mpid</b> <i>identifier</i>	Define the static remote maintenance end point identifier. The range is 1 to 8191
Step 6	<b>continuity-check static rmep</b>	Enable checking of the incoming continuity check message from a remote MEP that is configured in the MEP list.
Step 7	<b>end</b>	Return to privileged EXEC mode.
Step 8	<b>show ethernet cfm maintenance-points remote static</b>	Verify the configuration.

	Command	Purpose
Step 9	<b>show ethernet cfm errors [configuration]</b>	Enter this command after you enable CFM crosscheck to display the results of the crosscheck operation. Enter the <b>configuration</b> keyword to display the configuration error list.
Step 10	<b>copy running-config startup-config</b>	(Optional) Save your entries in the configuration file.

Use the **no** form of each command to remove a configuration or to return to the default settings.

## Configuring a Port MEP

A port MEP is a down MEP that is not associated with a VLAN and that uses untagged frames to carry CFM messages. You configure port MEPs on two connected interfaces. Port MEPs are always configured at a lower domain level than native VLAN MEPs.

Beginning in privileged EXEC mode, follow these steps to configure Ethernet CFM port MEPs:

	Command	Purpose
Step 1	<b>configure terminal</b>	Enter global configuration mode.
Step 2	<b>ethernet cfm domain</b> <i>domain-name</i> <b>level</b> <i>level-id</i>	Define a CFM domain, set the domain level, and enter ethernet-cfm configuration mode for the domain. The maintenance level number range is 0 to 7.
Step 3	<b>service</b> { <i>ma-name</i> / <i>ma-number</i> / <i>vpn-id</i> } <b>port</b>	Define a customer service maintenance association name or number or VPN ID to be associated with the domain, define a port MEP, and enter ethernet-cfm-service configuration mode. <ul style="list-style-type: none"> <li>• <i>ma-name</i>—a string of no more than 100 characters that identifies the MAID.</li> <li>• <i>ma-number</i>—a value from 0 to 65535.</li> <li>• <i>vpn-id</i> <i>vpn</i>—enter a VPN ID as the <i>ma-name</i>.</li> </ul>
Step 4	<b>mep mpid</b> <i>identifier</i>	Define the static remote maintenance end point identifier in the domain and service. The range is 1 to 8191
Step 5	<b>continuity-check</b>	Enable sending and receiving of continuity check messages.
Step 6	<b>continuity-check interval</b> <i>value</i>	(Optional) Set the interval at which continuity check messages are sent. The available values are 100 ms, 1 second, 10 seconds, 1 minute and 10 minutes. The default is 10 seconds. <p><b>Note</b> Because faster CCM rates are more CPU-intensive, we do not recommend configuring a large number of MEPs running at 100 ms intervals.</p>
Step 7	<b>continuity-check loss-threshold</b> <i>threshold-value</i>	(Optional) Set the number of continuity check messages to be missed before declaring that an MEP is down. The range is 2 to 255; the default is 3.

	Command	Purpose
Step 8	<b>continuity-check static rmep</b>	Enable checking of the incoming continuity check message from a remote MEP that is configured in the MEP list.
Step 9	<b>exit</b>	Return to ethernet-cfm configuration mode.
Step 10	<b>exit</b>	Return to global configuration mode.
Step 11	<b>interface</b> <i>interface-id</i>	Identify the port MEP interface and enter interface configuration mode.
Step 12	<b>ethernet cfm mep domain</b> <i>domain-name</i> <b>mpid identifier port</b>	Configure the interface as a port MEP for the domain. <ul style="list-style-type: none"> <li><b>domain</b> <i>domain-name</i>—Specify the name of the created domain.</li> <li><b>mpid</b> <i>identifier</i>—Enter a maintenance end point identifier. The identifier must be unique for each VLAN (service instance). The range is 1 to 8191.</li> </ul>
Step 13	<b>end</b>	Return to privileged EXEC mode.
Step 14	<b>show ethernet cfm maintenance-points remote static</b>	Verify the configuration.
Step 15	<b>show ethernet cfm errors</b> [ <b>configuration</b> ]	Enter this command after you enable CFM crosscheck to display the results of the crosscheck operation. Enter the <b>configuration</b> keyword to display the configuration error list.
Step 16	<b>copy running-config startup-config</b>	(Optional) Save your entries in the configuration file.

Use the **no** form of each command to remove a configuration or to return to the default settings.

This is a sample configuration for a port MEP:

```
Switch(config)# ethernet cfm domain abc level 3
Switch(config-ecfm)# service PORTMEP port
Switch(config-ecfm-srv)# mep mpid 222
Switch(config-ecfm-srv)# continuity-check
Switch(config-ecfm-srv)# continuity-check static rmep
Switch(config-ecfm-srv)# exit
Switch(config-ecfm)# exit
Switch(config)# interface gigabitethernet0/1
Switch(config-if)# ethernet cfm mep domain abc mpid 111 port
Switch(config-if)# end
```

## Configuring SNMP Traps

Beginning in privileged EXEC mode, follow these steps to configure traps for Ethernet CFM:

	Command	Purpose
Step 1	<b>configure terminal</b>	Enter global configuration mode.
Step 2	<b>snmp-server enable traps ethernet cfm cc</b> [ <b>mep-up</b> ] [ <b>mep-down</b> ] [ <b>config</b> ] [ <b>loop</b> ] [ <b>cross-connect</b> ]	(Optional) Enable Ethernet CFM continuity check traps.
Step 3	<b>snmp-server enable traps ethernet cfm crosscheck</b> [ <b>mep-unknown</b> ] [ <b>mep-missing</b> ] [ <b>service-up</b> ]	(Optional) Enable Ethernet CFM crosscheck traps.

	Command	Purpose
Step 4	<b>end</b>	Return to privileged EXEC mode.
Step 5	<b>show running-config</b>	Verify your entries.
Step 6	<b>copy running-config startup-config</b>	(Optional) Save your entries in the configuration file.

Use the **no** form of each command to remove a configuration or to return to the default settings.

## Configuring Fault Alarms

Beginning in privileged EXEC mode, follow these steps to configure Ethernet CFM fault alarms. Note that you can configure fault alarms in either global configuration mode or Ethernet CFM interface MEP mode. In case of conflict, the interface MEP mode configuration takes precedence.

	Command	Purpose
Step 1	<b>configure terminal</b>	Enter global configuration mode.
Step 2	<b>ethernet cfm alarm notification</b> { <b>all</b>   <b>error-xcon</b>   <b>mac-remote-error-xcon</b>   <b>none</b>   <b>remote-error-xcon</b>   <b>xcon</b> }	Globally enable Ethernet CFM fault alarm notification for the specified defects: <ul style="list-style-type: none"> <li>• <b>all</b>—report all defects.</li> <li>• <b>error-xcon</b>—Report only error and connection defects.</li> <li>• <b>mac-remote-error-xcon</b>—Report only MAC-address, remote, error, and connection defects.</li> <li>• <b>none</b>—Report no defects.</li> <li>• <b>remote-error-xcon</b>—Report only remote, error, and connection defects.</li> <li>• <b>xcon</b>—Report only connection defects.</li> </ul>
Step 3	<b>ethernet cfm alarm delay</b> <i>value</i>	(Optional) Set a delay period before a CFM fault alarm is sent. The range is 2500 to 10000 milliseconds (ms). The default is 2500 ms.
Step 4	<b>ethernet cfm alarm reset</b> <i>value</i>	(Optional) Specify the time period before the CFM fault alarm is reset. The range is 2500 to 10000 milliseconds (ms). The default is 10000 ms.
Step 5	<b>ethernet cfm logging alarm ieee</b>	Configure the switch to generate system logging messages for the alarms.
Step 6	<b>interface</b> <i>interface-id</i>	(Optional) Specify an interface to configure, and enter interface configuration mode.

	Command	Purpose
Step 7	<b>ethernet cfm mep domain</b> <i>domain-name</i> <b>mpid</b> <i>identifier</i> <b>vlan</b> <i>vlan-id</i>	Configure maintenance end points for the domain, and enter ethernet cfm interface mep mode. <ul style="list-style-type: none"> <li>• <b>domain</b> <i>domain-name</i>—Specify the name of the created domain.</li> <li>• <b>mpid</b> <i>identifier</i>—Enter a maintenance end point identifier. The identifier must be unique for each VLAN (service instance). The range is 1 to 8191.</li> <li>• <b>vlan</b> <i>vlan-id</i>—Enter the service provider VLAN ID or IDs as a VLAN-ID (1 to 4094), a range of VLAN-IDs separated by a hyphen, or a series of VLAN IDs separated by comma.</li> </ul>
Step 8	<b>ethernet cfm alarm notification</b> { <b>all</b>   <b>error-xcon</b>   <b>mac-remote-error-xcon</b>   <b>none</b>   <b>remote-error-xcon</b>   <b>xcon</b> }	(Optional) Enable Ethernet CFM fault alarm notification for the specified defects on the interface. <b>Note</b> The Ethernet CFM interface MEP alarm configuration takes precedence over the global configuration.
Step 9	<b>ethernet cfm alarm</b> { <b>delay</b> <i>value</i> / <b>reset</b> <i>value</i> }	(Optional) Set an alarm delay period or a reset period. <b>Note</b> The Ethernet CFM interface MEP alarm configuration takes precedence over the global configuration.
Step 10	<b>end</b>	Return to privileged EXEC mode.
Step 11	<b>show running-config</b>	Verify your entries.
Step 12	<b>copy running-config startup-config</b>	(Optional) Save your entries in the configuration file.

Use the **no** form of each command to remove a configuration or to return to the default settings.

## Configuring IP SLAs CFM Operation

You can manually configure an individual IP SLAs Ethernet ping or jitter echo operation or you can configure IP SLAs Ethernet operation with endpoint discovery. You can also configure multiple operation scheduling. For accurate one-way delay statistics, the clocks on the endpoint switches must be synchronized. You can configure the endpoint switches with Network Time Protocol (NTP) so that the switches are synchronized to the same clock source.

For detailed information about configuring IP SLAs operations, see the *Cisco IOS IP SLAs Configuration Guide, Release 12.4T* at this URL:

[http://www.cisco.com/en/US/docs/ios/ipsla/configuration/guide/12\\_4t/sla\\_12\\_4t\\_book.html](http://www.cisco.com/en/US/docs/ios/ipsla/configuration/guide/12_4t/sla_12_4t_book.html)

For detailed information about IP SLAs commands, see the command reference at this URL:

[http://www.cisco.com/en/US/docs/ios/ipsla/command/reference/sla\\_book.html](http://www.cisco.com/en/US/docs/ios/ipsla/command/reference/sla_book.html)

This section includes these procedures:

- [Manually Configuring an IP SLAs CFM Probe or Jitter Operation, page 43-18](#)
- [Configuring an IP SLAs Operation with Endpoint Discovery, page 43-19](#)

## Manually Configuring an IP SLAs CFM Probe or Jitter Operation

Beginning in privileged EXEC mode, follow these steps to manually configure an IP SLAs Ethernet echo (ping) or jitter operation:

	Command	Purpose
Step 1	<b>configure terminal</b>	Enter global configuration mode.
Step 2	<b>ip sla</b> <i>operation-number</i>	Create an IP SLAs operation, and enter IP SLAs configuration mode.
Step 3	<b>ethernet echo</b> <i>mpid identifier domain domain-name</i> <b>vlan</b> <i>vlan-id</i>  or  <b>ethernet jitter</b> <i>mpid identifier domain domain-name</i> <b>vlan</b> <i>vlan-id</i> [ <b>interval</b> <i>interpacket-interval</i> ] [ <b>num-frames</b> <i>number-of-frames transmitted</i> ]	Configure the IP SLAs operation as an echo (ping) or jitter operation, and enter IP SLAs Ethernet echo configuration mode. <ul style="list-style-type: none"> <li>Enter <b>echo</b> for a ping operation or <b>jitter</b> for a jitter operation.</li> <li>For <b>mpid identifier</b>, enter a maintenance endpoint identifier. The identifier must be unique for each VLAN (service instance). The range is 1 to 8191.</li> <li>For <b>domain domain-name</b>, enter the CFM domain name.</li> <li>For <b>vlan vlan-id</b>, the VLAN range is from 1 to 4095.</li> <li>(Optional—for jitter only) Enter the <b>interval</b> between sending of jitter packets.</li> <li>(Optional—for jitter only) Enter the <b>num-frames</b> and the number of frames to be sent.</li> </ul>
Step 4	<b>cos</b> <i>cos-value</i>	(Optional) Set a class of service value for the operation.
Step 5	<b>frequency</b> <i>seconds</i>	(Optional) Set the rate at which the IP SLAs operation repeats. The range is from 1 to 604800 seconds; the default is 60 seconds.
Step 6	<b>history</b> <i>history-parameter</i>	(Optional) Specify parameters for gathering statistical history information for the IP SLAs operation.
Step 7	<b>owner</b> <i>owner-id</i>	(Optional) Configure the SNMP owner of the IP SLAs operation.
Step 8	<b>request-data-size</b> <i>bytes</i>	(Optional) Specify the protocol data size for an IP SLAs request packet. The range is from 0 to the maximum size allowed by the protocol being used; the default is 66 bytes.
Step 9	<b>tag</b> <i>text</i>	(Optional) Create a user-specified identifier for an IP SLAs operation.
Step 10	<b>threshold</b> <i>milliseconds</i>	(Optional) Specify the upper threshold value in milliseconds (ms0 for calculating network monitoring statistics). The range is 0 to 2147483647; the default is 5000.
Step 11	<b>timeout</b> <i>milliseconds</i>	(Optional) Specify the amount of time in ms that the IP SLAs operation waits for a response from its request packet. The range is 0 to 604800000; the default value is 5000.

	Command	Purpose
Step 12	<b>exit</b>	Return to global configuration mode.
Step 13	<b>ip sla schedule</b> <i>operation-number</i> [ <b>ageout</b> <i>seconds</i> ] [ <b>life</b> { <b>forever</b>   <i>seconds</i> }] [ <b>recurring</b> ] [ <b>start-time</b> { <i>hh:mm</i> { <i>:ss</i> } [ <i>month day</i>   <i>day month</i> ]   <b>pending</b>   <b>now</b>   <b>after</b> <i>hh:mm:ss</i> }]	Schedule the time parameters for the IP SLAs operation. <ul style="list-style-type: none"> <li>• <i>operation-number</i>—Enter the IP SLAs operation number.</li> <li>• (Optional) <b>ageout</b> <i>seconds</i>—Enter the number of seconds to keep the operation in memory when it is not actively collecting information. The range is 0 to 2073600 seconds. The default is 0 seconds.</li> <li>• (Optional) <b>life</b>—Set the operation to run indefinitely (<b>forever</b>) or for a specific number of <i>seconds</i>. The range is from 0 to 2147483647. The default is 3600 seconds (1 hour)</li> <li>• (Optional) <b>recurring</b>—Set the probe to be automatically scheduled every day.</li> <li>• (Optional) <b>start-time</b>—Enter the time for the operation to begin collecting information:               <ul style="list-style-type: none"> <li>– To start at a specific time, enter the hour, minute, second (in 24-hour notation), and day of the month.</li> <li>– Enter <b>pending</b> to select no information collection until a start time is selected.</li> <li>– Enter <b>now</b> to start the operation immediately.</li> <li>– Enter <b>after</b> <i>hh:mm:ss</i> to show that the operation should start after the entered time has elapsed.</li> </ul> </li> </ul>
Step 14	<b>end</b>	Return to privileged EXEC mode.
Step 15	<b>show ip sla configuration</b> [ <i>operation-number</i> ]	Show the configured IP SLAs operation.
Step 16	<b>copy running-config startup-config</b>	(Optional) Save your entries in the configuration file.

To remove an IP SLAs operation, enter the no **ip sla** *operation-number* global configuration command.

## Configuring an IP SLAs Operation with Endpoint Discovery

Beginning in privileged EXEC mode, follow these steps to use IP SLAs to automatically discover the CFM endpoints for a domain and VLAN ID. You can configure ping or jitter operations to the discovered endpoints.

	Command	Purpose
Step 1	<b>configure terminal</b>	Enter global configuration mode.
Step 2	<b>ip sla ethernet-monitor</b> <i>operation-number</i>	Begin configuration of an IP SLAs automatic Ethernet operation, and enter IP SLAs Ethernet monitor configuration mode.

	Command	Purpose
Step 3	<b>type echo domain</b> <i>domain-name</i> <b>vlan</b> <i>vlan-id</i> [ <b>exclude-mpids</b> <i>mp-ids</i> ]	Configure the automatic Ethernet operation to create echo (ping) or jitter operation and enter IP SLAs Ethernet echo configuration mode. <ul style="list-style-type: none"> <li>Enter <b>type echo</b> for a ping operation or <b>type jitter</b> for a jitter operation.</li> <li>For <b>mpid identifier</b>, enter a maintenance endpoint identifier. The range is 1 to 8191.</li> <li>For <b>domain domain-name</b>, enter the CFM domain name.</li> <li>For <b>vlan vlan-id</b>, the VLAN range is from 1 to 4095.</li> <li>(Optional) Enter <b>exclude-mpids mp-ids</b> to exclude the specified maintenance endpoint identifiers.</li> <li>(Optional—for jitter only) Enter the <b>interval</b> between sending of jitter packets.</li> <li>(Optional—for jitter only) Enter the <b>num-frames</b> and the number of frames to be sent.</li> </ul>
	or  <b>type jitter domain</b> <i>domain-name</i> <b>vlan</b> <i>vlan-id</i> <b>[exclude-mpids mp-ids] [interval interpacket-interval] [num-frames number-of-frames transmitted]</b>	
Step 4	<b>cos</b> <i>cos-value</i>	(Optional) Set a class of service value for the operation.
Step 5	<b>owner</b> <i>owner-id</i>	(Optional) Configure the SNMP owner of the IP SLAs operation.
Step 6	<b>request-data-size</b> <i>bytes</i>	(Optional) Specify the protocol data size for an IP SLAs request packet. The range is from 0 to the maximum size allowed by the protocol being used; the default is 66 bytes.
Step 7	<b>tag</b> <i>text</i>	(Optional) Create a user-specified identifier for an IP SLAs operation.
Step 8	<b>threshold</b> <i>milliseconds</i>	(Optional) Specify the upper threshold value in milliseconds for calculating network monitoring statistics. The range is 0 to 2147483647; the default is 5000.
Step 9	<b>timeout</b> <i>milliseconds</i>	(Optional) Specify the amount of time in milliseconds that the IP SLAs operation waits for a response from its request packet. The range is 0 to 604800000; the default value is 5000.
Step 10	<b>exit</b>	Return to global configuration mode.



	Command	Purpose
Step 11	<b>ip sla schedule</b> <i>operation-number</i> [ <b>ageout</b> <i>seconds</i> ] [ <b>life</b> { <b>forever</b>   <i>seconds</i> }] [ <b>recurring</b> ] [ <b>start-time</b> { <i>hh:mm</i> { <i>:ss</i> } [ <i>month day</i>   <i>day month</i> ]   <b>pending</b>   <b>now</b>   <b>after</b> <i>hh:mm:ss</i> }]	Schedule the time parameters for the IP SLAs operation. <ul style="list-style-type: none"> <li>• <i>operation-number</i>—Enter the IP SLAs operation number.</li> <li>• (Optional) <b>ageout</b> <i>seconds</i>—Enter the number of seconds to keep the operation in memory when it is not actively collecting information. The range is 0 to 2073600 seconds. The default is 0 seconds.</li> <li>• (Optional) <b>life</b>—Set the operation to run indefinitely (<b>forever</b>) or for a specific number of <i>seconds</i>. The range is from 0 to 2147483647. The default is 3600 seconds (1 hour)</li> <li>• (Optional) <b>recurring</b>—Set the probe to be automatically scheduled every day.</li> <li>• (Optional) <b>start-time</b>—Enter the time for the operation to begin collecting information:               <ul style="list-style-type: none"> <li>– To start at a specific time, enter the hour, minute, second (in 24-hour notation), and day of the month.</li> <li>– Enter <b>pending</b> to select no information collection until a start time is selected.</li> <li>– Enter <b>now</b> to start the operation immediately.</li> <li>– Enter <b>after</b> <i>hh:mm:ss</i> to show that the operation should start after the entered time has elapsed.</li> </ul> </li> </ul>
Step 12	<b>end</b>	Return to privileged EXEC mode.
Step 13	<b>show ip sla configuration</b> [ <i>operation-number</i> ]	Show the configured IP SLAs operation.
Step 14	<b>copy running-config startup-config</b>	(Optional) Save your entries in the configuration file.

To remove an IP SLAs operation, enter the **no ip sla** *operation-number* global configuration command.

## Configuring CFM on C-VLAN (Inner VLAN)

The implementation of IEEE 802.1ag CFM prior to Cisco IOS Release 12.2(54)SE allows provisioning of maintenance points on the S-VLAN component. It does not allow monitoring or troubleshooting when QinQ is enabled on the provider-edge (PE) device. Cisco IOS Release 12.2(54)SE and later allow customers to provision maintenance intermediate points (MIPs) and Up maintenance endpoints (MEPs) on the C-VLAN (inner VLAN) component of QinQ or 802.1ad ports to provide visibility on the C-VLAN. In addition, some C-VLAN restrictions are removed and C-VLANs are now supported on 802.1q tunnel ports.

For more information about this feature and the supported commands, see:

[http://www.cisco.com/en/US/docs/ios/cether/configuration/guide/ce\\_cfm-ieee\\_cvlan.html](http://www.cisco.com/en/US/docs/ios/cether/configuration/guide/ce_cfm-ieee_cvlan.html)

The Cisco ME 3400E supports these features:

- 802.1Q-tunnel-port mode.
- Selective Q-in-Q (support for 1-to-2 VLAN mapping, but not 1-to-1 VLAN mapping).

- 802.1ad UNI (only C-UNI 1-to-2 mapping).



**Note** For more information about 802.1ad UNI, see [Chapter 14, “Configuring IEEE 802.1Q Tunneling, VLAN Mapping, 802.1ad, and Layer 2 Protocol Tunneling.”](#)

## Feature Support and Behavior

CFM S-VLAN component support:

- Up MEPs at any level (0 to 7).

Up MEPs use the port access VLAN ID (the outer tag or S-VLAN).

CFM frames sent and received by Up MEPs have a single VLAN tag, and the VLAN identifier is the port access VLAN ID (S-VLAN). Because the 802.1q tunnel interface marks the endpoint of the S-VLAN, the associated S-VLAN component should mark the endpoint of the CFM domain running over the S-VLAN space.

CFM C-VLAN component support:

- Up MEP functions at any level (0 to 7).

Up MEPs use two tags: an outer tag with a VLAN ID that is the port access VLAN (S-VLAN) and an inner tag with a selected C-VLAN that is allowed through the 802.1q tunnel port. CFM frames sent and received by these Up MEPs are always double-tagged.

- MIP functions at any level (0 to 7).

MIPs process CFM frames that are single-tagged when coming from the wire-side and double-tagged when coming from the relay-function side.

- Transparent point functions.

Port MEP frames are always sent untagged, even when the **dot1q vlan native** tag is enabled.

Supported maintenance points on 802.1Q tunnels:

- Up MEP on the C-VLAN component for selective or all-to-one bundling
- Up MEP on the S-VLAN
- Port MEP
- MIP support on C-VLAN component for selective or all-to-one bundling



**Note** The switch supports only manual configuration of MIPs. It does not support MIP autocreation on C-VLANs.

## Platform Restrictions and Limitations

- Maximum supported MEPs per switch at each continuity check message (CCM) interval:
  - 1600 MEP local and 1600 MEP remote (on C-VLAN and S-VLAN) with 10-second intervals
  - 250 MEP local and 250 MEP remote (on C-VLAN and S-VLAN) with 1-second intervals
  - 30 MEP local and 30 MEP remote (on C-VLAN and S-VLAN) with 100-ms intervals
- Maximum supported MIPs at each CCM interval:
  - 300 MIPs at 10 seconds

- 125 MIPs at 1 second
- 30 MIPs at 100 ms
- These features are not supported:
  - CFM C-component on the native VLAN
  - Port-based and VLAN-based MPLS (pseudowire) on the C-VLAN
  - Down MEP on S or C-VLAN (provider network port)
  - MIP on S-VLAN (provider network port)
  - CFM C-VLAN alarm indication signal (AIS)
  - CFM C-VLAN locked signal (LCK)
  - 802.3ah interworking with CFM C-VLAN
  - CFM C-VLAN IP SLAs
  - CFM C-VLAN E-LMI
  - CFM C-VLAN MIP autocreation.

## Understanding CFM ITU-T Y.1731 Fault Management

The ITU-T Y.1731 feature provides new CFM functionality for fault and performance management for service providers in large network. The switch supports Ethernet Alarm Indication Signal (ETH-AIS), Ethernet Remote Defect Indication (ETH-RDI), Ethernet Locked Signal (ETH-LCK), and Ethernet Multicast Loopback Message (MCAST-LBM) functionality for fault detection, verification, and isolation.

- [Y.1731 Terminology, page 43-23](#)
- [Alarm Indication Signals, page 43-24](#)
- [Ethernet Remote Defect Indication, page 43-24](#)
- [Ethernet Locked Signal, page 43-25](#)
- [Multicast Ethernet Loopback, page 43-25](#)

### Y.1731 Terminology

- Server MEP—the combination of the server layer termination function and server or Ethernet adaptation layer termination function or server or Ethernet adaptation function, where the server layer termination function is expected to run OAM mechanisms specific to the server layer. The supported mechanisms are link up, link down, and 802.3ah.
- Server layer—a virtual MEP layer capable of detecting fault conditions.
- Defect conditions:
  - Loss of continuity (LOC): the MEP stopped receiving CCM frames from a peer MEP
  - Mismatch: the MEP received a CCM frame with a correct maintenance level (matching the MEP level) but an incorrect maintenance ID.
  - Unexpected MEP: the MEP received a CCM frame with the correct maintenance level (matching the MEP's level) and correct maintenance ID, but an unexpected MEP ID.

- Unexpected maintenance level: the MEP received a CCM frame with an incorrect maintenance level.
- Unexpected period: the MEP received a CCM frame with a correct maintenance level, a correct maintenance ID, a correct MEP ID, but a different transmission period field.
- Signal fail—the MEP declares a signal fail condition when it detects a defect condition.
- Alarm Indication Signal (AIS) condition—the MEP received an AIS frame.
- Remote Defect Indication (RDI) condition—The MEP received a CCM frame with the RDI field set.
- Locked Signal (LCK) condition—The MEP received an LCK frame.

## Alarm Indication Signals

The Ethernet Alarm Signal function (ETH-AIS) is used to suppress alarms after defects are detected at the *server* (sub) layer, which is a virtual MEP layer capable of detecting fault conditions. A fault condition could be a signal fail condition, an AIS condition, or a LCK condition.



### Note

Although the configuration is allowed, you should not configure AIS in networks running STP. An STP configuration might cause AIS interruption or redirection.

When a MEP or a service MEP (SMEP) detects a connectivity fault at a specific maintenance association level, it multicasts AIS frames in the direction away from the detected failure at the client maintenance association level. The frequency of AIS frame transmission is based on the AIS transmission period. The first AIS frame is always sent immediately following the detection of the defect condition. We recommend a transition period of 1 second in a network of only a few VLANs to ensure that the first AIS frame is sent immediately following error detection. We recommend a 60-second interval in a network of multiple (up to 4094) VLANs to prevent stressing the network with 1-second transmissions.

A MEP that receives a frame with ETH-AIS information cannot determine the specific server with the defect condition or the set of peer MEPs for which it should suppress alarms. Therefore, it suppresses alarms for all peer MEPs, whether or not they are connected.

When a MEP receives an AIS frame, it examines it to be sure that the Maintenance Entity Group (MEG) level matches its own MEG and then detects the AIS default condition. (A MEG is Y.1731 terminology for maintenance association in 802.1ag.) After this detection, if no AIS frames are received for an interval of 3.5 times the AIS transmission period, the MEP clears the AIS defect condition. For example, if the AIS timer is set for 60 seconds, the AIS timer period expires after 3.5 times 60, or 210 seconds.

The AIS condition is terminated when a valid CCM is received with all error conditions cleared or when the AIS period timer expires (the default time is 60 seconds).

## Ethernet Remote Defect Indication

When Ethernet OAM continuity check (ETH-CC) transmission is enabled, the Ethernet Remote Defect Indication (ETH-RDI) function uses a bit in the CFM CC message to communicate defect conditions to the MEP peers. For ETH-RDI functionality, you must configure the MEP MEG level, the ETH-CC transmission period, and the ETH-CC frame priority. ETH-RDI does not require any MIP configuration.

When a MEP receives frames with ETH-RDI information, it determines that its peer MEP has encountered a defect condition and sets the RDI files in the CCM frames for the duration of the defect condition. When the defect condition clears, the MEP clears the RDI field.

When a MEP receives a CCM frame, it examines it to ensure that its MEG level is the same and if the RDI field is set, it detects an RDI condition. For point-to-point Ethernet connections, a MEP can clear the RDI condition when it receives the first frame from its peer MEP with the RDI field cleared. However, for multipoint Ethernet connectivity, the MEP cannot determine the associated subset of peer MEPs with which the sending MEP has seen the defect condition. It can clear the RDI condition after it receives CCM frames with the RDI field cleared from its entire list of peer MEPs.

## Ethernet Locked Signal

The Ethernet Locked Signal (ETH-LCK) function communicates the administrative locking of a server MEP and interruption of data traffic being forwarded to the MEP expecting the traffic. A MEP that receives frames with ETH-LCK information can differentiate between a defect condition and an administrative locking. ETH-LCK relies on loopback information (local, remote, port loopback, per-VLAN loopback, and terminal loopback). The default timer for ETH-LCK is 60 seconds and the default level is the MIP level.

When a MEP is administratively locked, it sends LCK frames in a direction opposite to its peer MEPs, based on the LCK transmission period, which is the same as the AIS transmission period. The first LCK frame is sent immediately following the administrative or diagnostic action.

A MEP receiving a LCK frame verifies that the maintenance level matches its configured maintenance level, and detects a LCK condition. When no LCK frames are received for an interval of 3.5 times the LCK transmission period, the MEP clears the LCK condition.

## Multicast Ethernet Loopback

The multicast Ethernet loopback (ETH-LB) function verifies bidirectional connectivity of a MEP with its peer MEPs and is an on-demand OAM function. When the feature is invoked on a MEP by entering the **ping** privileged EXEC command, the MEP sends a multicast frame with ETH-LB request information to peer MEPs in the same MEG. The MEP expects to receive a unicast frame with ETH-LB reply information from its peer MEPs within a specified time period. A MEP receiving a multicast frame with ETH-LB request information validates the frame and transmits a frame with reply information.

To configure multicast ETH-LB, you configure the MEG level of the MEP and the priority of the multicast frames with ETH-LB requests. Multicast frames with ETH-LB request information are always marked as drop ineligible. No MIP configuration is required.

The MEP sends multicast LB message frames on an on-demand basis. After sending a multicast LBM frame, the MEP expects to receive LB reply frames within 5 seconds.

When a MEP receives a valid LBM frame, it generates an LB reply frame and sends it to the requested MEP after a random delay in the range of 0 to 1 second. The validity of the frame is determined on its having the correct MEG level.

When a MEP sends a multicast LBM frame and receives an LB reply frame within 5 seconds, the LB reply frame is valid.

## Configuring Y.1731 Fault Management

To configure Y.1731 fault management, you must enable CFM and configure MIPs on the participating interfaces. AIS messages are generated only on interfaces with a configured MIP.

- [Default Y.1731 Configuration, page 43-26](#)

- [Configuring ETH-AIS, page 43-26](#)
- [Configuring ETH-LCK, page 43-28](#)
- [Using Multicast Ethernet Loopback, page 43-30](#)

## Default Y.1731 Configuration

ETH-AIS and ETH-LCK are enabled by default when CFM is enabled.

When you configure ETH-AIS or ETH-LCK, you must configure CFM before ETH-AIS or ETH-LCK is operational.

ETH-RDI is set automatically when continuity check messages are enabled.

## Configuring ETH-AIS

Beginning in privileged EXEC mode, follow these steps to configure Ethernet AIS on a switch:

	Command	Purpose
Step 1	<b>configure terminal</b>	Enter global configuration mode.
Step 2	<b>ethernet cfm ais link-status global</b>	Configure AIS-specific SMEP commands by entering config-ais-link-cfm mode.
Step 3	<b>level <i>level-id</i></b>  or <b>disable</b>	Configure the maintenance level for sending AIS frames transmitted by the SMEP. The range is 0 to 7.  or Disable generation of ETH-AIS frames.
Step 4	<b>period <i>value</i></b>	Configure the SMEP AIS transmission period interval. Allowable values are 1 second or 60 seconds.
Step 5	<b>exit</b>	Return to global configuration mode.
Step 6	<b>ethernet cfm domain <i>domain-name</i> level <i>level-id</i></b>	Define a CFM domain, set the domain level, and enter ethernet-cfm configuration mode for the domain. The maintenance level number range is 0 to 7.

	Command	Purpose
Step 7	<b>service</b> { <i>ma-name</i> / <i>ma-number</i> / <i>vpn-id</i> <i>vpn</i> } { <b>vlan</b> <i>vlan-id</i> [ <b>direction down</b> ]   <b>port</b> }	Define a customer service maintenance association (MA) name or number to be associated with the domain, or a VLAN ID or VPN-ID, and enter ethernet-cfm-service configuration mode. <ul style="list-style-type: none"> <li>• <i>ma-name</i>—a string of no more than 100 characters that identifies the MAID.</li> <li>• <i>ma-number</i>—a value from 0 to 65535.</li> <li>• <i>vpn-id</i>—enter a VPN ID as the <i>ma-name</i>.</li> <li>• <b>vlan</b> <i>vlan-id</i>—VLAN range is from 1 to 4094. You cannot use the same VLAN ID for more than one domain at the same level.</li> <li>• (Optional) <b>direction down</b>—specify the service direction as down.</li> <li>• <b>port</b>—Configure port MEP, a down MEP that is untagged and not associated with a VLAN.</li> </ul>
Step 8	<b>ais level</b> <i>level-id</i>	(Optional) Configure the maintenance level for sending AIS frames transmitted by the MEP. The range is 0 to 7.
Step 9	<b>ais period</b> <i>value</i>	(Optional) Configure the MEP AIS transmission period interval. Allowable values are 1 second or 60 seconds.
Step 10	<b>ais expiry-threshold</b> <i>value</i>	(Optional) Set the expiring threshold for the MA as an integer. The range is 2 to 255. The default is 3.5.
Step 11	<b>no ais suppress-alarms</b>	(Optional) Override the suppression of redundant alarms when the MEP goes into an AIS defect condition after receiving an AIS message.
Step 12	<b>exit</b>	Return to ethernet-cfm configuration mode.
Step 13	<b>exit</b>	Return to global configuration mode.
Step 14	<b>interface</b> <i>interface-id</i>	Specify an interface ID, and enter interface configuration mode.
Step 15	[ <b>no</b> ] <b>ethernet cfm ais link-status</b>	Enable or disable sending AIS frames from the SMEP on the interface.
Step 16	<b>ethernet cfm ais link-status period</b> <i>value</i>	Configure the ETH-AIS transmission period generated by the SMEP on the interface. Allowable values are 1 second or 60 seconds.
Step 17	<b>ethernet cfm ais link-status level</b> <i>level-id</i>	Configure the maintenance level for sending AIS frames transmitted by the SMEP on the interface. The range is 0 to 7.
Step 18	<b>end</b>	Return to privileged EXEC mode.
Step 19	<b>show ethernet cfm smep</b> [ <b>interface</b> <i>interface-id</i> ]	Verify the configuration.
Step 20	<b>show ethernet cfm error</b>	Display received ETH-AIS frames and other errors.
Step 21	<b>copy running-config startup-config</b>	(Optional) Save your entries in the configuration file.

Use the **no** form of the commands to return to the default configuration or to remove a configuration. To disable the generation of ETH-AIS frames, enter the **disable** config-ais-link-cfm mode command.

This is an example of the output from the **show ethernet cfm smep** command when Ethernet AIS has been enabled:

```
Switch# show ethernet cfm smep
SMEP Settings:
-----
Interface: GigabitEthernet0/3
LCK-Status: Enabled
LCK Period: 60000 (ms)
Level to transmit LCK: Default
AIS-Status: Enabled
AIS Period: 60000 (ms)
Level to transmit AIS: Default
Defect Condition: AIS
```

## Configuring ETH-LCK

Beginning in privileged EXEC mode, follow these steps to configure Ethernet locked signal on a switch:

	Command	Purpose
Step 1	<b>configure terminal</b>	Enter global configuration mode.
Step 2	<b>ethernet cfm lck link-status global</b>	Configure SMEP LCK commands by entering config-lck-link-cfm mode.
Step 3	<b>level level-id</b>  or <b>disable</b>	Configure the maintenance level for sending ETH-LCK frames transmitted by the SMEP. The range is 0 to 7.  or Disable generation of ETH-LCK frames.
Step 4	<b>period value</b>	Configure the SMEP ETH-LCK frame transmission period interval. Allowable values are 1 second or 60 seconds.
Step 5	<b>exit</b>	Return to global configuration mode.
Step 6	<b>ethernet cfm domain domain-name level level-id</b>	Define a CFM domain, set the domain level, and enter ethernet-cfm configuration mode for the domain. The maintenance level number range is 0 to 7.



	Command	Purpose
Step 7	<b>service</b> { <i>ma-name</i> / <i>ma-number</i> / <i>vpn-id</i> <i>vpn</i> } { <b>vlan</b> <i>vlan-id</i> [ <b>direction down</b> ]   <b>port</b> }	<p>Define a customer service maintenance association name or number to be associated with the domain, or a VLAN ID or VPN-ID, and enter ethernet-cfm-service configuration mode.</p> <ul style="list-style-type: none"> <li>• <i>ma-name</i>—a string of no more than 100 characters that identifies the MAID.</li> <li>• <i>ma-number</i>—a value from 0 to 65535.</li> <li>• <i>vpn-id</i>—enter a VPN ID as the <i>ma-name</i>.</li> <li>• <b>vlan</b> <i>vlan-id</i>—VLAN range is from 1 to 4094. You cannot use the same VLAN ID for more than one domain at the same level.</li> <li>• (Optional) <b>direction down</b>—specify the service direction as down.</li> <li>• <b>port</b>—Configure port MEP, a down MEP that is untagged and not associated with a VLAN.</li> </ul>
Step 8	<b>lck level</b> <i>level-id</i>	(Optional) Configure the maintenance level for sending ETH-LCK frames sent by the MEP. The range is 0 to 7.
Step 9	<b>lck period</b> <i>value</i>	(Optional) Configure the MEP ETH-LCK frame transmission period interval. Allowable values are 1 second or 60 seconds.
Step 10	<b>lck expiry-threshold</b> <i>value</i>	(Optional) Set the expiring threshold for the MA. The range is 2 to 255. The default is 3.5.
Step 11	<b>exit</b>	Return to ethernet-cfm configuration mode.
Step 12	<b>exit</b>	Return to global configuration mode.
Step 13	<b>interface</b> <i>interface-id</i>	Specify an interface ID, and enter interface configuration mode.
Step 14	[ <b>no</b> ] <b>ethernet cfm lck link-status</b>	Enable or disable sending ETH-LCK frames from the SMEP on the interface.
Step 15	<b>ethernet cfm lck link-status period</b> <i>value</i>	Configure the ETH-LCK transmission period generated by the SMEP on the interface. Allowable values are 1 second or 60 seconds.
Step 16	<b>ethernet cfm lck link-status level</b> <i>level-id</i>	Configure the maintenance level for sending ETH-LCK frames sent by the SMEP on the interface. The range is 0 to 7.
Step 17	<b>end</b>	Return to privileged EXEC mode.
Step 18	<b>ethernet cfm lck start mpid</b> <i>local-mpid</i> <b>domain</b> <i>domain-name</i> <b>vlan</b> <i>vlan-id</i> [ <b>drop l2-bpdu</b> ]	<p>(Optional) Put a MEP in LCK condition.</p> <ul style="list-style-type: none"> <li>• The <b>mpid</b> <i>local-mpid</i> <b>domain</b> <i>domain-name</i> <b>vlan</b> <i>vlan-id</i> identify the MEP.</li> <li>• (Optional) <b>drop l2-bpdu</b> specifies that the switch should drop all data frames, all Layer 3 control traffic, and all Layer 2 BPDUs except CFM frames for that MEP. If not entered, the switch drops only data frames and Layer 3 control frames.</li> </ul>

	Command	Purpose
Step 19	<b>ethernet cfm lck start interface</b> <i>interface-id</i> <b>direction</b> { <b>up</b>   <b>down</b> } [ <b>drop l2-bpdu</b> ]	(Optional) Put an interface in LCK condition. <ul style="list-style-type: none"> <li>• <b>interface</b> <i>interface-id</i>—Specify the interface to be put in LCK condition.</li> <li>• <b>direction inward</b>—The LCK is in the direction toward the relay; that is, within the switch.</li> <li>• <b>direction outward</b>—The LCK is in the direction of the wire.</li> <li>• (Optional) <b>drop l2-bpdu</b> specifies that all Layer 2 BPDUs except CFM frames, all data frames, and all Layer 3 control traffic are dropped for that MEP. If not entered, only data frames and Layer 3 control frames are dropped.</li> </ul>
Step 20	<b>show ethernet cfm smep</b> [ <b>interface</b> <i>interface-id</i> ]	Verify the configuration.
Step 21	<b>show ethernet cfm error</b>	Display received ETH-LCK frames.
Step 22	<b>copy running-config startup-config</b>	(Optional) Save your entries in the configuration file.

To put a MEP out of LCK condition, enter the **ethernet cfm lck stop mpid** *local-mpid* **domain** *domain-name* **vlan** *vlan-id* privileged EXEC command. To put an interface out of LCK condition, enter the **ethernet cfm lck start interface** *interface-id* **direction** { **inward** | **outward** } privileged EXEC command.

This is an example of the output from the **show ethernet cfm smep** command when Ethernet LCK has been enabled:

```
Switch# show ethernet cfm smep
SMEP Settings:
-----
Interface: GigabitEthernet0/3
LCK-Status: Enabled
LCK Period: 60000 (ms)
Level to transmit LCK: Default
AIS-Status: Enabled
AIS Period: 60000 (ms)
Level to transmit AIS: Default
Defect Condition: AIS
```

## Using Multicast Ethernet Loopback

You can use the **ping** privileged EXEC command to verify bidirectional connectivity of a MEP, as in this example:

```
Switch# ping ethernet multicast domain CD vlan 10
Type escape sequence to abort.
Sending 5 Ethernet CFM loopback messages to 0180.c200.0037, timeout is 5 seconds:
Reply to Multicast request via interface FastEthernet1/0/3, from 001a.a17e.f880, 8 ms
Total Loopback Responses received: 1
```

# Managing and Displaying Ethernet CFM Information

You can use the privileged EXEC commands in these tables to clear Ethernet CFM information.

**Table 43-1** Clearing CFM Information

Command	Purpose
<b>clear ethernet cfm ais domain</b> <i>domain-name</i> <b>mpid</b> <i>id</i> { <b>vlan</b> <i>vlan-id</i>   <b>port</b> }	Clear MEPs with matching domain and VLAN ID out of AIS defect condition.
<b>clear ethernet cfm ais link-status interface</b> <i>interface-id</i>	Clear a SMEP out of AIS defect condition.
<b>clear ethernet cfm error</b>	Clear all CFM error conditions, including AIS.

You can use the privileged EXEC commands in [Table 43-2](#) to display Ethernet CFM information.

**Table 43-2** Displaying CFM Information

Command	Purpose
<b>show ethernet cfm domain</b> [ <b>brief</b> ]	Displays CFM domain information or brief domain information.
<b>show ethernet cfm errors</b> [ <b>configuration</b>   <b>domain-id</b> ]	Displays CFM continuity check error conditions logged on a device since it was last reset or the log was last cleared. When CFM crosscheck is enabled, displays the results of the CFM crosscheck operation.
<b>show ethernet cfm maintenance-points local</b> [ <b>detail</b>   <b>domain</b>   <b>interface</b>   <b>level</b>   <b>mep</b>   <b>mip</b> ]	Displays maintenance points configured on a device.
<b>show ethernet cfm maintenance-points remote</b> [ <b>crosscheck</b>   <b>detail</b>   <b>domain</b>   <b>static</b> ]	Displays information about a remote maintenance point domains or levels or details in the CFM database.
<b>show ethernet cfm mpdb</b>	Displays information about entries in the MIP continuity-check database.
<b>show ethernet cfm smep</b> [ <b>interface</b> <i>interface-id</i> ]	Displays Ethernet CFM SMEP information.
<b>show ethernet cfm traceroute-cache</b>	Displays the contents of the traceroute cache.
<b>show platform cfm</b>	Displays platform-independent CFM information.

This is an example of output from the **show ethernet cfm domain brief** command:

```
Switch# show ethernet cfm domain brief
Domain Name                               Index Level Services Archive (min)
level5                                     1      5      1      100
level3                                     2      3      1      100
test                                       3      3      3      100
name                                       4      3      1      100
test1                                      5      2      1      100
lck                                        6      1      1      100Total Services : 1
```

This is an example of output from the **show ethernet cfm errors** command:

```
Switch# show ethernet cfm errors
-----
MPID Domain Id                               Mac Address   Type   Id   Lvl
      MAName                               Reason                               Age
-----
6307 level3                                  0021.d7ee.fe80 Vlan   7   3
      vlan7                                  Receive RDI                               5s
```

This is an example of output from the **show ethernet cfm maintenance-points local detail** command:

```
Switch# show ethernet cfm maintenance-points local detail
Local MEPS:
-----
MPID: 7307
DomainName: level3
Level: 3
Direction: Up
Vlan: 7
Interface: Gi0/3
CC-Status: Enabled
CC Loss Threshold: 3
MAC: 0021.d7ef.0700
LCK-Status: Enabled
LCK Period: 60000(ms)
LCK Expiry Threshold: 3.5
Level to transmit LCK: Default
Defect Condition: No Defect
presentRDI: FALSE
AIS-Status: Enabled
AIS Period: 60000(ms)
AIS Expiry Threshold: 3.5
Level to transmit AIS: Default
Suppress Alarm configuration: Enabled
Suppressing Alarms: No
```

MIP Settings:

```
-----
Local MIPs:
* = MIP Manually Configured
-----
Level Port           MacAddress          SrvcInst   Type   Id
-----
*5    Gi0/3              0021.d7ef.0700 N/A       Vlan   2,7
```

This is an example of output from the **show ethernet cfm traceroute** command:

```
Switch# show ethernet cfm traceroute
Current Cache-size: 0 Hops
Max Cache-size: 100 Hops
Hold-time: 100 Minutes
```

You can use the privileged EXEC commands in [Table 43-3](#) to display IP SLAs Ethernet CFM information.

**Table 43-3** *Displaying IP SLAs CFM Information*

Command	Purpose
<b>show ip sla configuration</b> [ <i>entry-number</i> ]	Displays configuration values including all defaults for all IP SLAs operations or a specific operation.
<b>show ip sla ethernet-monitor configuration</b> [ <i>entry-number</i> ]	Displays the configuration of the IP SLAs automatic Ethernet operation.
<b>show ip sla statistics</b> [ <i>entry-number</i> / <b>aggregated</b> / <b>details</b> ]	Display current or aggregated operational status and statistics.

## Understanding the Ethernet OAM Protocol

The Ethernet OAM protocol for installing, monitoring, and troubleshooting Metro Ethernet networks and Ethernet WANs relies on an optional sublayer in the data link layer of the OSI model. Normal link operation does not require Ethernet OAM. You can implement Ethernet OAM on any full-duplex point-to-point or emulated point-to-point Ethernet link for a network or part of a network (specified interfaces).

OAM frames, called OAM protocol data units (OAM PDUs) use the slow protocol destination MAC address 0180.c200.0002. They are intercepted by the MAC sublayer and cannot propagate beyond a single hop within an Ethernet network. Ethernet OAM is a relatively slow protocol, with a maximum transmission rate of 10 frames per second, resulting in minor impact to normal operations. However, when you enable link monitoring, because the CPU must poll error counters frequently, the number of required CPU cycles is proportional to the number of interfaces that must be polled.

Ethernet OAM has two major components:

- The OAM client establishes and manages Ethernet OAM on a link and enables and configures the OAM sublayer. During the OAM discovery phase, the OAM client monitors OAM PDUs received from the remote peer and enables OAM functionality. After the discovery phase, it manages the rules of response to OAM PDUs and the OAM remote loopback mode.
- The OAM sublayer presents two standard IEEE 802.3 MAC service interfaces facing the superior and inferior MAC sublayers. It provides a dedicated interface for the OAM client to pass OAM control information and PDUs to and from the client. It includes these components:
  - The control block provides the interface between the OAM client and other OAM sublayer internal blocks.
  - The multiplexer manages frames from the MAC client, the control block, and the parser and passes OAM PDUs from the control block and loopback frames from the parser to the subordinate layer.
  - The parser classifies frames as OAM PDUs, MAC client frames, or loopback frames and sends them to the appropriate entity: OAM PDUs to the control block, MAC client frames to the superior sublayer, and loopback frames to the multiplexer.

## OAM Features

These OAM features are defined by IEEE 802.3ah:

- Discovery identifies devices in the network and their OAM capabilities. It uses periodic OAM PDUs to advertise OAM mode, configuration, and capabilities; PDU configuration; and platform identity. An optional phase allows the local station to accept or reject the configuration of the peer OAM entity.
- Link monitoring detects and indicates link faults under a variety of conditions and uses the event notification OAM PDU to notify the remote OAM device when it detects problems on the link. Error events include when the number of symbol errors, the number of frame errors, the number of frame errors within a specified number of frames, or the number of error seconds within a specified period exceed a configured threshold.
- Remote failure indication conveys a slowly deteriorating quality of an OAM entity to its peers by communicating these conditions: Link Fault means a loss of signal, Dying Gasp means an unrecoverable condition, and Critical Event means an unspecified vendor-specific critical event. The switch can receive and process but not generate Link Fault or Critical Event OAM PDUs. It can generate Dying Gasp OAM PDUs to show when Ethernet OAM is disabled, the interface is shut down, the interface enters the error-disabled state, or the switch is reloading. It also supports Dying Gasp PDUs based on loss of power.
- Remote loopback mode to ensure link quality with a remote peer during installation or troubleshooting. In this mode, when the switch receives a frame that is not an OAM PDU or a pause frame, it sends it back on the same port. The link appears to the user to be in the up state. You can use the returned loopback acknowledgement to test delay, jitter, and throughput.

**Note**

---

Another way to test connectivity and ensure that a remote device is reachable is to configure Ethernet loopback. See the [“Enabling Ethernet Loopback”](#) section on page 43-43.

---

## OAM Messages

Ethernet OAM messages or PDUs are standard length, untagged Ethernet frames between 64 and 1518 bytes. They do not go beyond a single hop and have a maximum transmission rate of 10 OAM PDUs per second. Message types are information, event notification, loopback control, or vendor-specific OAM PDUs.

## Setting Up and Configuring Ethernet OAM

- [Default Ethernet OAM Configuration, page 43-35](#)
- [Ethernet OAM Configuration Guidelines, page 43-35](#)
- [Enabling Ethernet OAM on an Interface, page 43-35](#)
- [Enabling Ethernet OAM Remote Loopback, page 43-36](#)
- [Configuring Ethernet OAM Link Monitoring, page 43-37](#)
- [Configuring Ethernet OAM Remote Failure Indications, page 43-40](#)
- [Configuring Ethernet OAM Templates, page 43-40](#)

## Default Ethernet OAM Configuration

Ethernet OAM is disabled on all interfaces.

When Ethernet OAM is enabled on an interface, link monitoring is automatically turned on.

Remote loopback is disabled.

No Ethernet OAM templates are configured.

## Ethernet OAM Configuration Guidelines

- The switch does not support monitoring of egress frames sent with cyclic redundancy code (CRC) errors. The **ethernet oam link-monitor transmit crc** interface-configuration or template-configuration commands are visible but are not supported on the switch. The commands are accepted, but are not applied to an interface.
- For a remote failure indication, the switch does not generate Link Fault or Critical Event OAM PDUs. However, if these PDUs are received from a link partner, they are processed. The switch supports generating and receiving Dying Gasp OAM PDUs when Ethernet OAM is disabled, the interface is shut down, the interface enters the error-disabled state, or the switch is reloading. The switch can also generate and receive Dying Gasp PDUs based on loss of power. The PDU includes a reason code to indicate why it was sent.
- The switch does not support Ethernet OAM on ports that belong to an EtherChannel.

## Enabling Ethernet OAM on an Interface

Beginning in privileged EXEC mode, follow these steps to enable Ethernet OAM on an interface:

	Command	Purpose
Step 1	<b>configure terminal</b>	Enter global configuration mode.
Step 2	<b>interface</b> <i>interface-id</i>	Define an interface to configure as an OAM interface, and enter interface configuration mode.
Step 3	<b>ethernet oam</b>	Enable Ethernet OAM on the interface.

	Command	Purpose
Step 4	<b>ethernet oam</b> [ <b>max-rate</b> <i>oampdus</i>   <b>min-rate</b> <i>seconds</i>   <b>mode</b> { <b>active</b>   <b>passive</b> }   <b>timeout</b> <i>seconds</i> ]	<p>You can configure these optional OAM parameters:</p> <ul style="list-style-type: none"> <li>• (Optional) Enter <b>max-rate</b> <i>oampdus</i> to configure the maximum number of OAM PDUs sent per second. The range is from 1 to 10.</li> <li>• (Optional) Enter <b>min-rate</b> <i>seconds</i> to configure the minimum transmission rate in seconds when one OAM PDU is sent per second. The range is from 1 to 10.</li> <li>• (Optional) Enter <b>mode active</b> to set OAM client mode to active.</li> <li>• (Optional) Enter <b>mode passive</b> to set OAM client mode to passive.</li> </ul> <p><b>Note</b> When Ethernet OAM mode is enabled on two interfaces passing traffic, at least one must be in the active mode.</p> <ul style="list-style-type: none"> <li>• (Optional) Enter <b>timeout</b> <i>seconds</i> to set a time for OAM client timeout. The range is from 2 to 30.</li> </ul>
Step 5	<b>end</b>	Return to privileged EXEC mode.
Step 6	<b>show ethernet oam status</b> [ <b>interface</b> <i>interface-id</i> ]	Verify the configuration.
Step 7	<b>copy running-config startup-config</b>	(Optional) Save your entries in the configuration file.

Enter the **no ethernet oam** interface configuration command to disable Ethernet OAM on the interface.

## Enabling Ethernet OAM Remote Loopback

You must enable Ethernet OAM remote loopback on an interface for the local OAM client to initiate OAM remote loopback operations. Changing this setting causes the local OAM client to exchange configuration information with its remote peer. Remote loopback is disabled by default.

Remote loopback has these limitations:

- Internet Group Management Protocol (IGMP) packets are not looped back.
- You cannot configure Ethernet OAM remote loopback on ISL ports or ports that belong to an EtherChannel.
- If dynamic ARP inspection is enabled, ARP or reverse ARP packets are not looped or dropped.

Beginning in privileged EXEC mode, follow these steps to enable Ethernet OAM remote loopback on an interface:

	Command	Purpose
Step 1	<b>configure terminal</b>	Enter global configuration mode.
Step 2	<b>interface</b> <i>interface-id</i>	Define an interface to configure as an OAM interface, and enter interface configuration mode.



	Command	Purpose
Step 3	<b>ethernet oam remote-loopback</b> { <b>supported</b>   <b>timeout</b> <i>seconds</i> }	Enable Ethernet remote loopback on the interface, or set a loopback timeout period. <ul style="list-style-type: none"> <li>Enter <b>supported</b> to enable remote loopback.</li> <li>Enter <b>timeout</b> <i>seconds</i> to set a remote loopback timeout period. The range is from 1 to 10 seconds.</li> </ul>
Step 4	<b>end</b>	Return to privileged EXEC mode.
Step 5	<b>ethernet oam remote-loopback</b> { <b>start</b>   <b>stop</b> } { <b>interface</b> <i>interface-id</i> }	Turn on or turn off Ethernet OAM remote loopback on an interface.
Step 6	<b>show ethernet oam status</b> [ <b>interface</b> <i>interface-id</i> ]	Verify the configuration.
Step 7	<b>copy running-config startup-config</b>	(Optional) Save your entries in the configuration file.

Use the **no ethernet oam remote-loopback** {**supported** | **timeout**} interface configuration command to disable remote loopback support or to remove the timeout setting.

## Configuring Ethernet OAM Link Monitoring

You can configure high and low thresholds for link-monitoring features. If no high threshold is configured, the default is **none**—no high threshold is set. If you do not set a low threshold, it defaults to a value lower than the high threshold.

Beginning in privileged EXEC mode, follow these steps to configure Ethernet OAM link monitoring on an interface:

	Command	Purpose
Step 1	<b>configure terminal</b>	Enter global configuration mode.
Step 2	<b>interface</b> <i>interface-id</i>	Define an interface, and enter interface configuration mode.
Step 3	<b>ethernet oam link-monitor supported</b>	Enable the interface to support link monitoring. This is the default.  You need to enter this command only if it has been disabled by previously entering the <b>no ethernet oam link-monitor supported</b> command.

	Command	Purpose
Step 4	<p><b>ethernet oam link-monitor symbol-period</b>  <b>{ threshold { high { high-symbols   none }   low { low-symbols } }   window symbols }</b></p> <p><b>Note</b> Repeat this step to configure both high and low thresholds.</p>	<p>(Optional) Configure high and low thresholds for an error-symbol period that trigger an error-symbol period link event.</p> <ul style="list-style-type: none"> <li>• Enter <b>threshold high</b> <i>high-symbols</i> to set a high threshold in number of symbols. The range is 1 to 65535. The default is <b>none</b>.</li> <li>• Enter <b>threshold high none</b> to disable the high threshold if it was set. This is the default.</li> <li>• Enter <b>threshold low</b> <i>low-symbols</i> to set a low threshold in number of symbols. The range is 0 to 65535. It must be lower than the high threshold.</li> <li>• Enter <b>window</b> <i>symbols</i> to set the window size (in number of symbols) of the polling period. The range is 1 to 65535 symbols.</li> </ul>
Step 5	<p><b>ethernet oam link-monitor frame { threshold { high { high-frames   none }   low { low-frames } }   window milliseconds }</b></p> <p><b>Note</b> Repeat this step to configure both high and low thresholds.</p>	<p>(Optional) Configure high and low thresholds for error frames that trigger an error-frame link event.</p> <ul style="list-style-type: none"> <li>• Enter <b>threshold high</b> <i>high-frames</i> to set a high threshold in number of frames. The range is 1 to 65535. The default is <b>none</b>.</li> <li>• Enter <b>threshold high none</b> to disable the high threshold if it was set. This is the default.</li> <li>• Enter <b>threshold low</b> <i>low-frames</i> to set a low threshold in number of frames. The range is 0 to 65535. The default is 1.</li> <li>• Enter <b>window</b> <i>milliseconds</i> to set the a window and period of time during which error frames are counted. The range is 10 to 600 and represents the number of milliseconds in multiples of 100. The default is 100.</li> </ul>
Step 6	<p><b>ethernet oam link-monitor frame-period</b>  <b>{ threshold { high { high-frames   none }   low { low-frames } }   window frames }</b></p> <p><b>Note</b> Repeat this step to configure both high and low thresholds.</p>	<p>(Optional) Configure high and low thresholds for the error-frame period that triggers an error-frame-period link event.</p> <ul style="list-style-type: none"> <li>• Enter <b>threshold high</b> <i>high-frames</i> to set a high threshold in number of frames. The range is 1 to 65535. The default is <b>none</b>.</li> <li>• Enter <b>threshold high none</b> to disable the high threshold if it was set. This is the default.</li> <li>• Enter <b>threshold low</b> <i>low-frames</i> to set a low threshold in number of frames. The range is 0 to 65535. The default is 1.</li> <li>• Enter <b>window</b> <i>frames</i> to set the a polling window size in number of frames. The range is 1 to 65535; each value is a multiple of 10000 frames. The default is 1000.</li> </ul>

	Command	Purpose
Step 7	<p><b>ethernet oam link-monitor frame-seconds</b>  <b>{threshold {high {high-frames   none}   low {low-frames}}   window milliseconds}</b></p> <p><b>Note</b> Repeat this step to configure both high and low thresholds.</p>	<p>(Optional) Configure high and low thresholds for the frame-seconds error that triggers an error-frame-seconds link event.</p> <ul style="list-style-type: none"> <li>Enter <b>threshold high high-frames</b> to set a high error frame-seconds threshold in number of seconds. The range is 1 to 900. The default is none.</li> <li>Enter <b>threshold high none</b> to disable the high threshold if it was set. This is the default.</li> <li>Enter <b>threshold low low-frames</b> to set a low threshold in number of frames. The range is 1 to 900. The default is 1.</li> <li>Enter <b>window frames</b> to set the a polling window size in number of milliseconds. The range is 100 to 9000; each value is a multiple of 100 milliseconds. The default is 1000.</li> </ul>
Step 8	<p><b>ethernet oam link-monitor receive-crc {threshold {high {high-frames   none}   low {low-frames}}   window milliseconds}</b></p> <p><b>Note</b> Repeat this step to configure both high and low thresholds.</p>	<p>(Optional) Configure thresholds for monitoring ingress frames received with cyclic redundancy code (CRC) errors for a period of time.</p> <ul style="list-style-type: none"> <li>Enter <b>threshold high high-frames</b> to set a high threshold for the number of frames received with CRC errors. The range is 1 to 65535 frames.</li> <li>Enter <b>threshold high none</b> to disable the high threshold.</li> <li>Enter <b>threshold low low-frames</b> to set a low threshold in number of frames. The range is 0 to 65535. The default is 1.</li> <li>Enter <b>window milliseconds</b> to set the a window and period of time during which frames with CRC errors are counted. The range is 10 to 1800 and represents the number of milliseconds in multiples of 100. The default is 100.</li> </ul>
Step 9	<b>[no] ethernet link-monitor on</b>	(Optional) Start or stop (when the <b>no</b> keyword is entered) link-monitoring operations on the interface. Link monitoring operations start automatically when support is enabled.
Step 10	<b>end</b>	Return to privileged EXEC mode.
Step 11	<b>show ethernet oam status [interface interface-id]</b>	Verify the configuration.
Step 12	<b>copy running-config startup-config</b>	(Optional) Save your entries in the configuration file.

The **ethernet oam link-monitor transmit-crc {threshold {high {high-frames | none} | low {low-frames}} | window milliseconds}** command is visible on the switch and you are allowed to enter it, but it is not supported. Enter the **no** form of the commands to disable the configuration. Use the **no** form of each command to disable the threshold setting.

## Configuring Ethernet OAM Remote Failure Indications

You can configure an error-disable action to occur on an interface if one of the high thresholds is exceeded, if the remote link goes down, if the remote device is rebooted, or if the remote device disables Ethernet OAM on the interface.

Beginning in privileged EXEC mode, follow these steps to enable Ethernet OAM remote-failure indication actions on an interface:

	Command	Purpose
Step 1	<b>configure terminal</b>	Enter global configuration mode.
Step 2	<b>interface</b> <i>interface-id</i>	Define an interface, and enter interface configuration mode.
Step 3	<b>ethernet oam remote-failure {critical-event   dying-gasp   link-fault} action error-disable-interface</b>	Configure the Ethernet OAM remote-failure action on the interface. You can configure disabling the interface for one of these conditions: <ul style="list-style-type: none"> <li>• Select <b>critical-event</b> to shut down the interface when an unspecified critical event has occurred.</li> <li>• Select <b>dying-gasp</b> to shut down the interface when Ethernet OAM is disabled or the interface enters the error-disabled state.</li> <li>• Select <b>link-fault</b> to shut down the interface when the receiver detects a loss of signal.</li> </ul>
Step 4	<b>end</b>	Return to privileged EXEC mode.
Step 5	<b>show ethernet oam status [interface interface-id]</b>	Verify the configuration.
Step 6	<b>copy running-config startup-config</b>	(Optional) Save your entries in the configuration file.

The switch does not generate Link Fault or Critical Event OAM PDUs. However, if these PDUs are received from a link partner, they are processed. The switch supports sending and receiving Dying Gasp OAM PDUs with reason codes when Ethernet OAM is disabled, the interface is shut down, the interface enters the error-disabled state, or the switch is reloading. It can also respond to and generate, Dying Gasp PDUs based on loss of power. Enter the **no ethernet remote-failure {critical-event | dying-gasp | link-fault} action** command to disable the remote failure indication action.

## Configuring Ethernet OAM Templates

You can create a template for configuring a common set of options on multiple Ethernet OAM interfaces. The template can be configured to monitor frame errors, frame-period errors, frame-second errors, received CRS errors, and symbol-period errors and thresholds. You can also set the template to put the interface in error-disabled state if any high thresholds are exceeded. These steps are optional and can be performed in any sequence or repeated to configure different options.

Beginning in privileged EXEC mode, follow these steps to configure an Ethernet OAM template and to associate it with an interface:

	Command	Purpose
Step 1	<b>configure terminal</b>	Enter global configuration mode.
Step 2	<b>template</b> <i>template-name</i>	Create a template, and enter template configuration mode.
Step 3	<b>ethernet oam link-monitor receive-crc</b> { <b>threshold</b> { <b>high</b> { <i>high-frames</i>   <b>none</b> }   <b>low</b> { <i>low-frames</i> } }   <b>window</b> <i>milliseconds</i> }	(Optional) Configure thresholds for monitoring ingress frames received with cyclic redundancy code (CRC) errors for a period of time. <ul style="list-style-type: none"> <li>• Enter <b>threshold high</b> <i>high-frames</i> to set a high threshold for the number of frames received with CRC errors. The range is 1 to 65535 frames.</li> <li>• Enter <b>threshold high none</b> to disable the high threshold.</li> <li>• Enter <b>threshold low</b> <i>low-frames</i> to set a low threshold in number of frames. The range is 0 to 65535. The default is 1.</li> <li>• Enter <b>window</b> <i>milliseconds</i> to set the a window and period of time during which frames with CRC errors are counted. The range is 10 to 1800 and represents the number of milliseconds in multiples of 100. The default is 100.</li> </ul>
Step 4	<b>ethernet oam link-monitor symbol-period</b> { <b>threshold</b> { <b>high</b> { <i>high symbols</i> / <b>none</b> }   <b>low</b> { <i>low-symbols</i> } }   <b>window</b> <i>symbols</i> }	(Optional) Configure high and low thresholds for an error-symbol period that triggers an error-symbol period link event. <ul style="list-style-type: none"> <li>• Enter <b>threshold high</b> <i>high-symbols</i> to set a high threshold in number of symbols. The range is 1 to 65535.</li> <li>• Enter <b>threshold high none</b> to disable the high threshold.</li> <li>• Enter <b>threshold low</b> <i>low-symbols</i> to set a low threshold in number of symbols. The range is 0 to 65535. It must be lower than the high threshold.</li> <li>• Enter <b>window</b> <i>symbols</i> to set the window size (in number of symbols) of the polling period. The range is 1 to 65535 symbols.</li> </ul>

	Command	Purpose
Step 5	<b>ethernet oam link-monitor frame</b> { <b>threshold</b> { <b>high</b> { <i>high-frames</i>   <b>none</b> }   <b>low</b> { <i>low-frames</i> } }   <b>window</b> { <i>milliseconds</i> }	<p>(Optional) Configure high and low thresholds for error frames that trigger an error-frame link event.</p> <ul style="list-style-type: none"> <li>Enter <b>threshold high</b> <i>high-frames</i> to set a high threshold in number of frames. The range is 1 to 65535. You must enter a high threshold.</li> <li>Enter <b>threshold high none</b> to disable the high threshold.</li> <li>Enter <b>threshold low</b> <i>low-frames</i> to set a low threshold in number of frames. The range is 0 to 65535. The default is 1.</li> <li>Enter <b>window</b> <i>milliseconds</i> to set the a window and period of time during which error frames are counted. The range is 10 to 600 and represents the number of milliseconds in a multiple of 100. The default is 100.</li> </ul>
Step 6	<b>ethernet oam link-monitor frame-period</b> { <b>threshold</b> { <b>high</b> { <i>high-frames</i>   <b>none</b> }   <b>low</b> { <i>low-frames</i> } }   <b>window</b> { <i>frames</i> }	<p>(Optional) Configure high and low thresholds for the error-frame period that triggers an error-frame-period link event.</p> <ul style="list-style-type: none"> <li>Enter <b>threshold high</b> <i>high-frames</i> to set a high threshold in number of frames. The range is 1 to 65535. You must enter a high threshold.</li> <li>Enter <b>threshold high none</b> to disable the high threshold.</li> <li>Enter <b>threshold low</b> <i>low-frames</i> to set a low threshold in number of frames. The range is 0 to 65535. The default is 1.</li> <li>Enter <b>window</b> <i>frames</i> to set the a polling window size in number of frames. The range is 1 to 65535; each value is a multiple of 10000 frames. The default is 1000.</li> </ul>
Step 7	<b>ethernet oam link-monitor frame-seconds</b> { <b>threshold</b> { <b>high</b> { <i>high-seconds</i>   <b>none</b> }   <b>low</b> { <i>low-seconds</i> } }   <b>window</b> { <i>milliseconds</i> }	<p>(Optional) Configure frame-seconds high and low thresholds for triggering an error-frame-seconds link event.</p> <ul style="list-style-type: none"> <li>Enter <b>threshold high</b> <i>high-seconds</i> to set a high threshold in number of seconds. The range is 1 to 900. You must enter a high threshold.</li> <li>Enter <b>threshold high none</b> to disable the high threshold.</li> <li>Enter <b>threshold low</b> <i>low-frames</i> to set a low threshold in number of frames. The range is 1 to 900. The default is 1.</li> <li>Enter <b>window</b> <i>frames</i> to set the a polling window size in number of frames. The range is 100 to 9000; each value is a multiple of 100 milliseconds. The default is 1000.</li> </ul>

	Command	Purpose
Step 8	<b>ethernet oam link-monitor high threshold action error-disable-interface</b>	(Optional) Configure the switch to put an interface in an error disabled state when a high threshold for an error is exceeded.
Step 9	<b>exit</b>	Return to global configuration mode.
Step 10	<b>interface</b> <i>interface-id</i>	Define an Ethernet OAM interface, and enter interface configuration mode.
Step 11	<b>source-template</b> <i>template-name</i>	Associate the template to apply the configured options to the interface.
Step 12	<b>end</b>	Return to privileged EXEC mode.
Step 13	<b>show ethernet oam status</b> [ <b>interface</b> <i>interface-id</i> ]	Verify the configuration.
Step 14	<b>copy running-config startup-config</b>	(Optional) Save your entries in the configuration file.

The switch does not support monitoring egress frames with CRC errors. The **ethernet oam link-monitor transmit-crc {threshold {high {high-frames | none} | low {low-frames}} | window milliseconds}** command is visible on the switch and you can enter it, but it is not supported. Use the **no** form of each command to remove the option from the template. Use the **no source-template** *template-name* to remove the source template association.

## Displaying Ethernet OAM Protocol Information

You can use the privileged EXEC commands in [Table 43-4](#) to display Ethernet OAM protocol information.

**Table 43-4** Displaying Ethernet OAM Protocol Information

Command	Purpose
<b>show ethernet oam discovery</b> [ <b>interface</b> <i>interface-id</i> ]	Displays discovery information for all Ethernet OAM interfaces or the specified interface.
<b>show ethernet oam statistics</b> [ <b>interface</b> <i>interface-id</i> ]	Displays detailed information about Ethernet OAM packets.
<b>show ethernet oam status</b> [ <b>interface</b> <i>interface-id</i> ]	Displays Ethernet OAM configuration for all interfaces or the specified interface.
<b>show ethernet oam summary</b>	Displays active Ethernet OAM sessions on the switch.

## Enabling Ethernet Loopback

Service providers can use per-port and per-VLAN Ethernet loopback to test connectivity at initial startup, to test throughput, and to test quality of service (QoS) in both directions. The switch supports two types of loopback:

- Facility loopback allows per-port or per-VLAN loopback of traffic. It provides an alternate method to Ethernet OAM remote loopback (see the [“Enabling Ethernet OAM Remote Loopback” section on page 43-36](#)) to test connectivity across multiple switches. You can exchange (swap) MAC destination and source addresses to allow a packet to cross multiple switches between the test head and a test switch.

Per-port facility loopback puts the port into a loopback state where the link is up, but the line protocol is down for regular traffic. The switch loops back all received traffic.

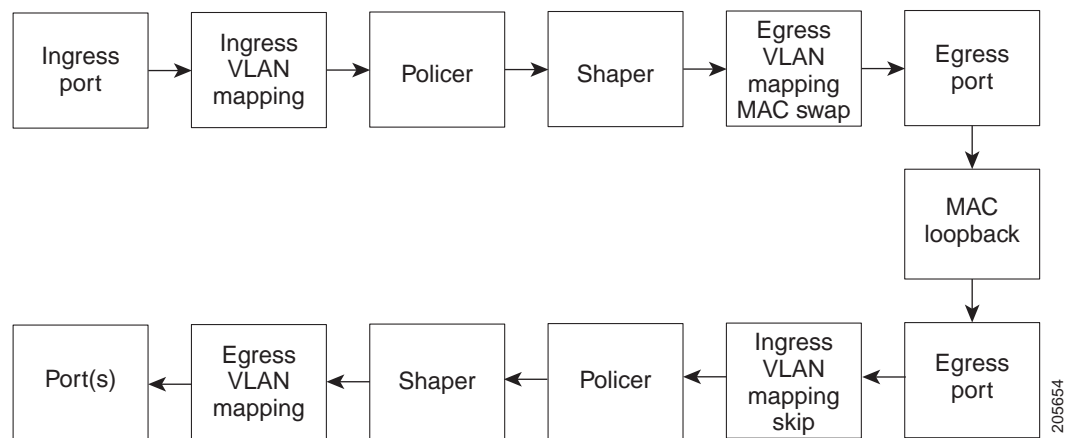
When you configure per-port, per-VLAN loopback by entering the **vlan** *vlan-list* keywords, the other VLANs on the port continue to switch traffic normally, allowing nondisruptive loopback testing.

- Terminal loopback allows testing of full-path QoS in both directions. Terminal loopback puts the port into a state where it appears to be up but the link is actually down externally, and no packets are sent. Configuration changes on the port immediately affect the traffic being looped back.

With terminal loopback, traffic that is looped back goes through the forwarding path a second time. If MAC swap is not configured, looped-back multicast or broadcast traffic is flooded on that VLAN. The packet then goes out the other ports twice, once from the ingress packet and once from the looped-back packet. See Figure 43-3.

You can configure only one terminal loopback per switch.

**Figure 43-3** Terminal Loopback Packet Flow



By default, no loopbacks are configured.

Ethernet loopback has these characteristics:

- You can configure Ethernet loopback only on physical ports, not on VLANs or port channels.
- You can configure one loopback per port and a maximum of two loopbacks per switch.
- You can configure only one terminal loopback per switch.
- The port ends the loopback after a port event, such as a shutdown or change from a switch port to a routed port.
- When you configure VLAN loopback by entering the **vlan** *vlan-list* keywords, the VLANs are tunneled into an internal VLAN that is not forwarded to any ports. The tunnel ends at the egress, so it is transparent to the user.
- VLAN loopback is not supported on nontrunk interfaces.
- Terminal loopback is not supported on routed interfaces.
- You cannot configure SPAN and loopback on the switch at the same time. If you try to configure SPAN on any port while loopback is configured, you receive an error message.
- If a port is a Flex Link port or belongs to an EtherChannel, it cannot be put into a loopback state. If loopback is active, you cannot add a port to a Flex Link or EtherChannel.



- Port loopback shares hardware resources with the VLAN mapping feature. If not enough TCAM resources are available because of VLAN-mapping configuration, when you attempt to configure loopback, you receive an error message, and the configuration is not allowed.

Beginning in privileged EXEC mode, follow these steps to enable Ethernet facility loopback on an interface:

	Command	Purpose
Step 1	<b>configure terminal</b>	Enter global configuration mode.
Step 2	<b>interface</b> <i>interface-id</i>	Define an interface, and enter interface configuration mode.
Step 3	<b>ethernet loopback facility</b> [ <b>vlan</b> <i>vlan-list</i> ] [ <b>mac-address</b> { <b>swap</b>   <b>copy</b> }] [ <b>timeout</b> { <i>seconds</i>   <b>none</b> }] <b>supported</b>	Configure Ethernet facility loopback on the interface. The keywords have these meanings: <ul style="list-style-type: none"> <li>• (Optional) Enter <b>vlan</b> <i>vlan-list</i> to configure VLAN loopback for nondisruptive loopback testing. Other VLANs on the port continue to switch traffic.</li> <li>• (Optional) Enter <b>mac-address</b> <b>swap</b> to configure the switch to swap the MAC source and destination addresses for the loopback action.</li> <li>• (Optional) Enter <b>mac-address</b> <b>copy</b> to configure the switch to copy the MAC source and destination addresses for the loopback action. This is the default action if the <b>mac-address</b> option is not configured.</li> <li>• (Optional) Enter <b>timeout</b> <i>seconds</i> to set a loopback timeout period. The range is from 5 to 300 seconds. The default is 60 seconds.</li> <li>• (Optional) Enter <b>timeout</b> <b>none</b> to set the loopback to not time out.</li> </ul>
Step 4	<b>end</b>	Return to privileged EXEC mode.
Step 5	<b>ethernet loopback</b> { <b>start</b> <i>interface-id</i>   <b>stop</b> { <i>interface-id</i>   <b>all</b> }}	Turn on ( <b>start</b> ) Ethernet loopback on an interface, or turn off ( <b>stop</b> ) Ethernet loopback on an interface or on all interfaces. <p><b>Note</b> When you enter the command to start loopback, you receive a message that this is an intrusive loopback on the port or VLAN and that you will not be able to pass packets. You must confirm the command.</p>
Step 6	<b>show ethernet loopback</b> [ <i>interface-id</i> ] <b>show interface</b> <i>interface-id</i> , <b>show interface status</b> , <b>show log</b>	Verify the configuration for the switch or for an interface. Verify that loopback is running (has been started) on an interface.
Step 7	<b>copy running-config startup-config</b>	(Optional) Save your entries in the configuration file.

To stop an active loopback session on an interface or to stop all active loopback sessions, enter the **ethernet loopback stop** {*interface-id* | **all**} privileged EXEC command. To remove the Ethernet facility loopback configuration, enter the **no ethernet loopback** interface configuration command.

This example shows how to configure an Ethernet loopback to swap the MAC source and destination addresses, to never time out, and to start the loopback process. You must confirm the command before loopback starts.

```
Switch(config)# interface gigabitethernet 0/1
Switch(config-if)# ethernet loopback facility mac-address swap timeout none supported
Switch(config-if)# end
Switch# ethernet loopback start gigabitethernet 0/1
This is an intrusive loopback.
Therefore, while you test Ethernet connectivity,
you will be unable to pass traffic across that link.
Proceed with Local Loopback? [confirm]
```

This is the output from the **show ethernet loopback** privileged EXEC command for the previous configuration:

```
Switch# show ethernet loopback
=====
Loopback Session 0 : Interface Gi0/1
Direction          : facility
Type               : port
Status             : configured
MAC Mode           : swap
Time out           : none.
```

Beginning in privileged EXEC mode, follow these steps to configure Ethernet terminal loopback on an interface:

	Command	Purpose
Step 1	<b>configure terminal</b>	Enter global configuration mode.
Step 2	<b>interface</b> <i>interface-id</i>	Define an interface, and enter interface configuration mode.
Step 3	<b>ethernet loopback terminal</b> [ <b>mac-address</b> { <b>swap</b>   <b>copy</b> }] [ <b>timeout</b> { <i>seconds</i>   <b>none</b> }] <b>supported</b>	Configure Ethernet terminal loopback to test QoS on the interface. The keywords have these meanings: <ul style="list-style-type: none"> <li>• (Optional) Enter <b>mac-address swap</b> to configure the switch to swap the MAC source and destination addresses for the loopback action.</li> <li>• (Optional) Enter <b>mac-address copy</b> to configure the switch to copy the MAC source and destination addresses for the loopback action. This is the default action if the <b>mac-address</b> option is not configured.</li> <li>• (Optional) Enter <b>timeout seconds</b> to set a loopback timeout period. The range is from 5 to 300 seconds. The default is 60 seconds.</li> <li>• (Optional) Enter <b>timeout none</b> to set the loopback to not time out.</li> </ul>
Step 4	<b>end</b>	Return to privileged EXEC mode.
Step 5	<b>ethernet loopback</b> { <b>start</b>   <b>stop</b> } { <i>interface-id</i> }	Turn on ( <b>start</b> ) or turn off ( <b>stop</b> ) Ethernet loopback on an interface.  <b>Note</b> If you try to start terminal loopback on a routed interface, you receive an error message and you are not able to start the loopback.

	Command	Purpose
Step 6	<b>show ethernet loopback</b> [ <i>interface-id</i> ]	Verify the configuration for the switch or for an interface.
	<b>show interface</b> <i>interface-id</i> , <b>show interface status</b> , <b>show log</b>	Verify that loopback is running (has been started) on an interface.
Step 7	<b>copy running-config startup-config</b>	(Optional) Save your entries in the configuration file.

To disable Ethernet terminal configuration, enter the **no ethernet loopback** interface configuration command.

This example shows how to configure an Ethernet terminal loopback to test QoS on the interface, to swap the MAC source and destination addresses, to time out after 30 seconds, and to start the loopback process:

```
Switch(config)# interface gigabitethernet 0/1
Switch(config-if)# ethernet loopback terminal mac-address swap timeout 30 supported
Switch(config-if)# end
Switch# ethernet loopback start gigabitethernet 0/1
```

## Understanding E-LMI

Ethernet Local Management Interface (E-LMI) is a protocol between the customer-edge (CE) device and the provider-edge (PE) device. It runs only on the PE-to-CE UNI link and notifies the CE device of connectivity status and configuration parameters of Ethernet services available on the CE port. E-LMI interoperates with an OAM protocol, such as CFM, that runs within the provider network to collect OAM status. CFM runs at the provider maintenance level (UPE to UPE with up MEPs at the UNI). E-LMI relies on the OAM Ethernet Infrastructure to interwork with CFM for end-to-end status of Ethernet virtual connections (EVCs) across CFM domains.

OAM manager, which streamlines interaction between any two OAM protocols, handles the interaction between CFM and E-LMI. This interaction is unidirectional, running only from OAM manager to E-LMI on the UPE side of the switch. Information is exchanged either as a result of a request from E-LMI or triggered by OAM when it received notification of a change from the OAM protocol. This type of information is relayed:

- EVC name and availability status
- Remote UNI name and status
- Remote UNI counts

You can configure Ethernet virtual connections (EVCs), service VLANs, UNI ids (for each CE-to-PE link), and UNI count and attributes. You need to configure CFM to notify the OAM manager of any change to the number of active UNIs and or the remote UNI ID for a given S-VLAN domain.

You can configure the switch as either the customer-edge device or the provider-edge device.

## E-LMI Interaction with OAM Manager

No interactions are required between E-LMI and OAM manager on the CE side. On the UPE side, OAM manager defines an abstraction layer that relays data collected from OAM protocols (in this case CFM) running within the metro network to the E-LMI switch. The information flow is unidirectional (from OAM manager to the E-LMI) but is triggered in one of two ways:

- Synchronous data flow triggered by a request from the E-LMI

- Asynchronous data flow triggered by OAM manager when it receives notification from CFM that the number of remote UNIs has changed

This data includes:

- EVC name and availability status (active, not active, partially active, or not defined)
- Remote UNI name and status (up, disconnected, administratively down, excessive FCS failures, or not reachable)
- Remote UNI counts (the total number of expected UNIs and the actual number of active UNIs)

The asynchronous update is triggered only when the number of active UNIs has changed.

## CFM Interaction with OAM Manager

When there is a change in the number of active UNIs or remote UNI ID for a given S-VLAN or domain, CFM asynchronously notifies the OAM manager. A change in the number of UNIs might (or might not) cause a change in EVC status. OAM manager calculates EVC status given the number of active UNIs and the total number of associated UNIs.



Note

---

If crosscheck is disabled, no SNMP traps are sent when there is a change in the number of UNIs.

---

## Configuring E-LMI

For E-LMI to work with CFM, you configure Ethernet virtual connections (EVCs), Ethernet service instances (EFPs), and E-LMI customer VLAN mapping. Most of the configuration occurs on the PE switch on the interfaces connected to the CE device. On the CE switch, you only need to enable E-LMI on the connecting interface. Note that you must configure some OAM parameters, for example, EVC definitions, on PE devices on both sides of a metro network.

This section includes this information:

- [Default E-LMI Configuration, page 43-48](#)
- [E-LMI and OAM Manager Configuration Guidelines, page 43-49](#)
- [Configuring the OAM Manager, page 43-49](#)
- [Enabling E-LMI, page 43-52](#)
- [Ethernet OAM Manager Configuration Example, page 43-53](#)

## Default E-LMI Configuration

Ethernet LMI is globally disabled by default. When enabled, the switch is in provider-edge (PE) mode by default.

When you globally enable E-LMI by entering the **ethernet lmi global** global configuration command, it is automatically enabled on all interfaces. You can also enable or disable E-LMI per interface to override the global configuration. The E-LMI command that is given last is the command that has precedence.

There are no EVCs, EFP service instances, or UNIs defined.

UNI bundling service is bundling with multiplexing.

## E-LMI and OAM Manager Configuration Guidelines

OAM manager is an infrastructural element and requires two interworking OAM protocols, in this case CFM and E-LMI. For OAM to operate, the PE side of the connection must be running CFM and E-LMI.

- E-LMI is not supported on routed ports, EtherChannel port channels or ports that belong to an EtherChannel, private VLAN ports, or IEEE 802.1Q tunnel ports.
- You cannot configure E-LMI on VLAN interfaces.
- When you enable E-LMI globally or on an interface, the switch is in PE mode by default. You must enter the **ethernet lmi ce** global configuration command to enable the switch or interface in customer-edge mode.
- When the switch is configured as a CE device, the **service instance** and **ethernet uni** interface commands are visible but not supported.

## Configuring the OAM Manager

Beginning in privileged EXEC mode, follow these steps to configure OAM manager on a PE switch:

	Command	Purpose
Step 1	<b>configure terminal</b>	Enter global configuration mode.
Step 2	<b>ethernet cfm domain</b> <i>domain-name</i> <b>level</b> <i>level-id</i>	Define a CFM domain, set the domain level, and enter ethernet-cfm configuration mode for the domain. The maintenance level number range is 0 to 7.
Step 3	<b>service</b> <i>csi-id</i> <b>vlan</b> <i>vlan-id</i>	Define a universally unique customer service instance (CSI) and VLAN ID within the maintenance domain. <ul style="list-style-type: none"> <li>• <i>csi-id</i>—a string of no more than 100 characters that identifies the CSI.</li> <li>• <i>vlan-id</i>—VLAN range is from 1 to 4095. You cannot use the same VLAN ID for more than one domain at the same level.</li> </ul>
Step 4	<b>exit</b>	Return to global configuration mode.
Step 5	<b>ethernet evc</b> <i>evc-id</i>	Define an Ethernet virtual connection (evc), and enter evc configuration mode. The identifier can be up to 100 characters in length.
Step 6	<b>oam protocol cfm svlan</b> <i>vlan-id</i> <b>domain</b> <i>domain-name</i>	Configure the EVC OAM protocol as CFM, and identify the service provider VLAN-ID (S-VLAN-ID) for the CFM domain maintenance level as configured in Steps 2 and 3. <p><b>Note</b> If the CFM domain does not exist, the command is rejected, and an error message appears.</p>

	Command	Purpose
Step 7	<b>uni count</b> <i>value</i>	<p>(Optional) Set the UNI count for the EVC. The range is 2 to 1024; the default is 2.</p> <p>If the command is not entered, the service defaults to a point-to-point service. If you enter a value of 2, you have the option to select point-to-multipoint service. If you configure a value of 3 or greater, the service is point-to-multipoint.</p> <p><b>Note</b> You should know the correct number of maintenance end points in the domain. If you enter a value greater than the actual number of end points, the UNI status will show as partially active even if all end points are up; if you enter a uni count less than the actual number of end points, status might show as active, even if all end points are not up.</p>
Step 8	<b>exit</b>	Return to global configuration mode.
Step 9	Repeat Steps 2 to 5 for other CFM domains that you want OAM manager to monitor.	
Step 10	<b>interface</b> <i>interface-id</i>	Specify a physical interface connected to the CE device, and enter interface configuration mode.
Step 11	<b>service instance</b> <i>efp-identifier</i> <b>ethernet</b> [ <i>evc-id</i> ]	<p>Configure an Ethernet service instance (EFP) on the interface, and enter ethernet service configuration mode.</p> <ul style="list-style-type: none"> <li>The EFP identifier is a per-interface service identifier that does not map to a VLAN. The EFP identifier range is 1 to 4967295.</li> <li>(Optional) Enter an <i>evc-id</i> to attach an EVC to the EFP.</li> </ul>
Step 12	<b>ethernet lmi ce-vlan map</b> { <i>vlan-id</i>   <b>any</b>   <b>default</b>   <b>untagged</b> }	<p>Configure an E-LMI customer VLAN-to-EVC map for a particular UNI. The keywords have these meanings:</p> <ul style="list-style-type: none"> <li>For <b>vlan</b> <i>vlan-id</i>, enter the customer VLAN ID or IDs to map to as single VLAN-ID (1 to 4094), a range of VLAN-IDs separated by a hyphen, or a series of VLAN IDs separated by commas.</li> <li>Enter <b>any</b> to map all VLANs (untagged or 1 to 4094).</li> <li>Enter <b>default</b> to map the default EFP. You can use <b>default</b> keyword only if you have already mapped the service instance to a VLAN or group of VLANs.</li> <li>Enter <b>untagged</b> to map untagged VLANs.</li> </ul>
Step 13	<b>exit</b>	Return to interface configuration mode.

	Command	Purpose
Step 14	<b>ethernet uni id</b> <i>name</i>	Configure an Ethernet UNI ID. The name should be unique for all the UNIs that are part of a given customer service instance and can be up to 64 characters in length. When a UNI id is configured on a port, that ID is used as the default name for all MEPs configured on the port, unless a name is explicitly configured for a given MEP.  <b>Note</b> This command is required on all ports that are directly connected to CE devices. If the specified ID is not unique on the device, an error message appears.
Step 15	<b>ethernet uni</b> { <b>bundle</b> [ <b>all-to-one</b> ]   <b>multiplex</b> }	(Optional) Set UNI bundling attributes: <ul style="list-style-type: none"> <li>• If you enter <b>bundle</b> &lt;cr&gt;, the UNI supports bundling without multiplexing (only one EVC with one or multiple VLANs be mapped to it).</li> <li>• If you enter <b>bundle all-to-one</b>, the UNI supports a single EVC and all VLANs are mapped to that EVC.</li> <li>• If you enter <b>multiplex</b>, the UNI supports multiplexing without bundling (one or more EVCs with a single VLAN mapped to each EVC).</li> </ul> If you do not configure bundling attributes, the default is bundling with multiplexing (one or more EVCs with one or more VLANs mapped to each EVC).
Step 16	<b>end</b>	Return to privileged EXEC mode.
Step 17	<b>show ethernet service evc</b> { <b>detail</b>   <b>id</b> <i>evc-id</i> / <b>interface</b> <i>interface-id</i> }	Verify the configuration.
Step 18	<b>copy running-config startup-config</b>	(Optional) Save your entries in the configuration file.

Use the **no** forms of the commands to delete an EVC, EFP, or UNI ID, or to return to default configurations.

**Note**

If you configure, change, or remove a UNI service type, EVC, EFP, or CE-VLAN configuration, all configurations are checked to make sure that the configurations match (UNI service type with EVC or EFP and CE-VLAN configuration). The configuration is rejected if the configurations do not match.

## Enabling E-LMI

You can enable E-LMI globally or on an interface and you can configure the switch as a PE or a CE device. Beginning in privileged EXEC mode, follow these steps to enable for E-LMI on the switch or on an interface. Note that the order of the global and interface commands determines the configuration. The command that is entered last has precedence.

	Command	Purpose
Step 1	<b>configure terminal</b>	Enter global configuration mode.
Step 2	<b>ethernet lmi global</b>	Globally enable E-LMI on all interfaces. By default, the switch is a PE device.
Step 3	<b>ethernet lmi ce</b>	(Optional) Configure the switch as an E-LMI CE device.
Step 4	<b>interface interface-id</b>	Define an interface to configure as an E-LMI interface, and enter interface configuration mode.
Step 5	<b>ethernet lmi interface</b>	Configure Ethernet LMI on the interface. If E-LMI is enabled globally, it is enabled on all interfaces unless you disable it on specific interfaces. If E-LMI is disabled globally, you can use this command to enable it on specified interfaces.
Step 6	<b>ethernet lmi {n391 value   n393 value   t391 value   t392 value}</b>	<p>Configure E-LMI parameters for the UNI.</p> <p>The keywords have these meanings:</p> <ul style="list-style-type: none"> <li>• <b>n391 value</b>—Set the event counter on the customer equipment. The counter polls the status of the UNI and all Ethernet virtual connections (EVCs). The range is from 1 to 65000; the default is 360.</li> <li>• <b>n393 value</b>—Set the event counter for the metro Ethernet network. The range is from 1 to 10; the default is 4.</li> <li>• <b>t391 value</b>—Set the polling timer on the customer equipment. A polling timer sends status enquiries and when status messages are not received, records errors. The range is from 5 to 30 seconds; the default is 10 seconds.</li> <li>• <b>t392 value</b>—Set the polling verification timer for the metro Ethernet network or the timer to verify received status inquiries. The range is from 5 to 30 seconds, or enter 0 to disable the timer. The default is 15 seconds.</li> </ul> <p><b>Note</b> The <b>t392</b> keyword is not supported when the switch is in CE mode.</p>
Step 7	<b>end</b>	Return to privileged EXEC mode.
Step 8	<b>show ethernet lmi evc</b>	Verify the configuration.
Step 9	<b>copy running-config startup-config</b>	(Optional) Save your entries in the configuration file.

Use the **no ethernet lmi** global configuration command to globally disable E-LMI. Use the **no** form of the **ethernet lmi** interface configuration command with keywords to disable E-LMI on the interface or to return the timers to the default settings.



Use the **show ethernet lmi** commands to display information that was sent to the CE from the status request poll. Use the **show ethernet service** commands to show current status on the device.

## Ethernet OAM Manager Configuration Example

This is a simple example of configuring CFM and E-LMI with OAM manager on a PE device and on a CE device. You can configure the switch as either the PE device or the CE device.

### Provider-Edge Device Configuration

This example shows a sample configuration of OAM manager, CFM, and E-LMI on the PE device:

```
Switch# config t
Switch(config)# ethernet cfm domain Top level 7
Switch(config)# ethernet cfm domain Provider level 4
Switch(config-ether-cfm)# service customer_1 vlan 101
Switch(config-ether-cfm)# mep crosscheck mpid 404 vlan 101
Switch(config-ether-cfm)# exit
Switch(config)# ethernet cfm domain Operator_level 2
Switch(config-ether-cfm)# service operator_1 vlan 101
Switch(config-ether-cfm)# exit
Switch(config)# ethernet cfm enable
Switch(config)# ethernet evc test1
Switch(config-evc)# oam protocol cfm svlan 101 domain Provider
Switch(config-evc)# exit
Switch(config)# ethernet evc 101
Switch(config-evc)# uni count 3
Switch(config-evc)# oam protocol cfm svlan 101 domain Operator
Switch(config-evc)# exit
Switch(config)# ethernet lmi global
Switch(config)# interface gigabitethernet0/2
Switch(config-if)# ethernet cfm mip level 7
Switch(config-if)# ethernet cfm mep level 4 mpid 200 vlan 200
Switch(config-if)# service instance 101 ethernet test1
Switch(config-if-srv)# ethernet lmi ce-vlan map 101
Switch(config-if-srv)# exit
Switch(config-if)# exit
Switch(config)# ethernet cfm cc enable level 2-4 vlan 101
Switch(config)# exit
```

### Customer-Edge Device Configuration

This example shows the commands necessary to configure E-LMI on the CE device. The switch can be configured as the CE device. The example enables E-LMI globally, but you can also enable it only on a specific interface. However, if you do not enter the **ethernet lmi ce** global configuration command, the interface will be in PE mode by default.

```
Switch# config t
Switch(config)# ethernet lmi global
Switch(config)# ethernet lmi ce
Switch(config)# exit
```

**Note**

For E-LMI to work, any VLANs used on the PE device must also be created on the CE device. Create a VLAN by entering the **vlan** *vlan-id* global configuration command on the CE device, where the *vlan-ids* match those on the PE device and configure these VLANs as allowed VLANs by entering the **switchport trunk allowed vlan** *vlan-ids* interface configuration command. Allowed VLANs can receive and send traffic on the interface in tagged format when in trunking mode.

## Displaying E-LMI and OAM Manager Information

You can use the privileged EXEC commands in [Table 43-5](#) to display E-LMI or OAM manager information.

**Table 43-5** *Displaying E-LMI and OAM Manager Information*

Command	Purpose
<b>show ethernet lmi evc</b> [ <b>detail</b> <i>evc-id</i> [ <b>interface</b> <i>interface-id</i> ]   <b>map</b> <b>interface</b> <i>type number</i> ]	Displays details sent to the CE from the status request poll about the E-LMI EVC.
<b>show ethernet lmi parameters interface</b> <i>interface-id</i>	Displays Ethernet LMI interface parameters sent to the CE from the status request poll.
<b>show ethernet lmi statistics interface</b> <i>interface-id</i>	Displays Ethernet LMI interface statistics sent to the CE from the status request poll.
<b>show ethernet lmi uni map interface</b> [ <i>interface-id</i> ]	Displays information about the E-LMI UNI VLAN map sent to the CE from the status request poll.
<b>show ethernet service evc</b> { <b>detail</b>   <b>id</b> <i>evc-id</i> / <b>interface</b> <i>interface-id</i> }	Displays information about the specified Ethernet virtual connection (EVC) customer-service instance or all configured service instances.
<b>show ethernet service instance</b> { <b>detail</b>   <b>id</b> <i>efp-identifier</i> <b>interface</b> <i>interface-id</i>   <b>interface</b> <i>interface-id</i> }	Displays information relevant to the specified Ethernet service instances (EFPs).
<b>show ethernet service interface</b> [ <i>interface-id</i> ] [ <b>detail</b> ]	Displays information about OAM manager interfaces.

## Ethernet CFM and Ethernet OAM Interaction

You can also configure the OAM Manager infrastructure for interaction between CFM and Ethernet OAM. When the Ethernet OAM Protocol is running on an interface that has CFM MEPs configured, Ethernet OAM informs CFM of the state of the interface. Interaction is unidirectional from the Ethernet OAM to the CFM Protocol, and the only information exchanged is the user network interface port status.

The Ethernet OAM Protocol notifies CFM when these conditions occur:

- Error thresholds are crossed at the local interface.

CFM responds to the notification by sending a port status of *Local\_Excessive\_Errors* in the Port StatusType Length Value (TLV).

- Ethernet OAM receives an OAMPDU from the remote side showing that an error threshold is exceeded on the remote endpoint.  
CFM responds to the notification by sending a port status of *Remote\_Excessive\_Errors* in the Port Status TLV.
- The local port is set into loopback mode.  
CFM responds by sending a port status of *Test* in the Port Status TLV.
- The remote port is set into loopback mode.  
CFM responds by sending a port status of *Test* in the Port Status TLV.

This section includes this information:

- [Configuring Ethernet OAM Interaction with CFM, page 43-55](#)
- [Ethernet OAM and CFM Configuration Example, page 43-56](#)

For more information about CFM and interaction with Ethernet OAM, see the *Cisco IOS Carrier Ethernet Configuration Guide* at this URL:

[http://www.cisco.com/en/US/docs/ios/cether/configuration/guide/12\\_2sr/ce\\_12\\_2sr\\_book.html](http://www.cisco.com/en/US/docs/ios/cether/configuration/guide/12_2sr/ce_12_2sr_book.html)

## Configuring Ethernet OAM Interaction with CFM

For Ethernet OAM to function with CFM, you must configure an Ethernet Virtual Circuit (EVC) and the OAM manager, and associate the EVC with CFM. You must use an up MEP for interaction with the OAM manager.



### Note

If you configure, change, or remove a UNI service type, EVC, Ethernet service instance, or CE-VLAN configuration, all configurations are verified to ensure that the UNI service types match the EVC configuration and that Ethernet service instances are matched with the CE-VLAN configuration. Configurations are rejected if the pairs do not match.

## Configuring the OAM Manager

Beginning in privileged EXEC mode, follow these steps to configure the OAM manager on a PE device:

	Command	Purpose
Step 1	<b>configure terminal</b>	Enter global configuration mode.
Step 2	<b>ethernet cfm domain</b> <i>domain-name</i> <b>level</b> <i>level-id</i>	Define a CFM domain, set the domain level, and enter ethernet-cfm configuration mode for the domain. The maintenance level number range is 0 to 7.
Step 3	<b>service</b> <i>csi-id</i> <b>vlan</b> <i>vlan-id</i>	Define a universally unique customer service instance (CSI) and VLAN ID within the maintenance domain. <ul style="list-style-type: none"> <li>• <i>csi-id</i>—String of no more than 100 characters that identifies the CSI.</li> <li>• <i>vlan-id</i>—VLAN range is from 1 to 4095. You cannot use the same VLAN ID for more than one domain at the same level.</li> </ul>
Step 4	<b>exit</b>	Return to global configuration mode.

	Command	Purpose
Step 5	<b>ethernet evc</b> <i>evc-id</i>	Define an EVC, and enter EVC configuration mode
Step 6	<b>oam protocol cfm svlan</b> <i>vlan-id</i> <b>domain</b> <i>domain-name</i>	Configure the EVC OAM protocol as CFM, and identify the service provider VLAN-ID (S-VLAN-ID) for the CFM domain maintenance level as configured in Steps 2 and 3.
Step 7	<b>exit</b>	Return to global configuration mode.
Step 8	Repeat Steps 2 through 7 to define other CFM domains that you want OAM manager to monitor.	
Step 9	<b>ethernet cfm enable</b>	Globally enable CFM.
Step 10	<b>end</b>	Return to privileged EXEC mode.
Step 11	<b>copy running-config startup-config</b>	(Optional) Save your entries in the configuration file.

## Enabling Ethernet OAM

Beginning in privileged EXEC mode, follow these steps to enable Ethernet OAM on an interface.

	Command	Purpose
Step 1	<b>configure terminal</b>	Enter global configuration mode.
Step 2	<b>interface</b> <i>interface-id</i>	Define an interface to configure as an Ethernet OAM interface and enter interface configuration mode.
Step 3	<b>ethernet oam</b> [ <b>max-rate</b> <i>oampdus</i> / <b>min-rate</b> <i>seconds</i> / <b>mode</b> { <b>active</b> / <b>passive</b> }   <b>timeout</b> <i>seconds</i> ]	Enable Ethernet OAM on the interface <ul style="list-style-type: none"> <li>• (Optional) Enter <b>max-rate</b> <i>oampdus</i> to set the maximum rate (per second) to send OAM PDUs. The range is 1 to 10 PDUs per second; the default is 10.</li> <li>• (Optional) Enter <b>min-rate</b> <i>seconds</i> to set the minimum rate in seconds. The range is 1 to 10 seconds.</li> <li>• (Optional) Set the OAM client <b>mode</b> as <b>active</b> or <b>passive</b>. The default is <b>active</b>.</li> <li>• (Optional) Enter <b>timeout</b> <i>seconds</i> to set the time after which a device declares the OAM peer to be nonoperational and resets its state machine. The range is 2 to 30 seconds; the default is 5 seconds.</li> </ul>
Step 4	<b>end</b>	Return to privileged EXEC mode.
Step 5	<b>copy running-config startup-config</b>	(Optional) Save your entries in the configuration file.
Step 6	<b>show ethernet cfm maintenance points remote</b>	(Optional) Display the port states as reported by Ethernet OAM.

## Ethernet OAM and CFM Configuration Example

These are example configurations of the interworking between Ethernet OAM and CFM in a sample service provider network with a provider-edge switch connected to a customer edge switch at each endpoint. You must configure CFM, E-LMI, and Ethernet OAM between the customer edge and the provider edge switch.

Customer-edge switch 1 (CE1) configuration:

```
Switch# config t
Switch(config)# interface gigabitethernet0/1
Switch(config-if)# port-type nni
Switch(config-if)# switchport trunk allowed vlan 10
Switch(config-if)# switchport mode trunk
Switch(config-if)# ethernet oam remote-loopback supported
Switch(config-if)# ethernet oam
Switch(config-if)# exit
```

Provider-edge switch 1 (PE1) configuration:

```
Switch# config t
Switch(config)# interface gigabitethernet0/5
Switch(config-if)# switchport trunk encapsulation dot1q
Switch(config-if)# switchport mode trunk
Switch(config-if)# ethernet cfm mip level 7
Switch(config-if)# ethernet cfm mep level 4 mpid 100 vlan 10
Switch(config-if)# ethernet uni id 2004-20
Switch(config-if)# ethernet oam remote-loopback supported
Switch(config-if)# ethernet oam
Switch(config-if)# service instance 10 ethernet BLUE
Switch(config-if-srv)# ethernet lmi ce-vlan map 10
Switch(config-if-srv)# exit
```

Provider-edge switch 2 (PE2) configuration:

```
Switch# config t
Switch(config)# interface gigabitethernet1/20
Switch(config-if)# switchport mode trunk
Switch(config-if)# ethernet cfm mip level 7
Switch(config-if)# ethernet cfm mep level 4 mpid 101 vlan 10
Switch(config-if)# ethernet uni id 2004-20
Switch(config-if)# ethernet oam remote-loopback supported
Switch(config-if)# ethernet oam
Switch(config-if)# service instance 10 ethernet BLUE
Switch(config-if-srv)# ethernet lmi ce-vlan map 10
Switch(config-if-srv)# exit
```

Customer-edge switch 2 (CE2) configuration:

```
Switch# config t
Switch(config)# interface gigabitethernet0/1
Switch(config-if)# port-type nni
Switch(config-if)# switchport trunk allowed vlan 10
Switch(config-if)# switchport mode trunk
Switch(config-if)# ethernet oam remote-loopback supported
Switch(config-if)# ethernet oam
Switch(config-if)# exit
```

These are examples of the output showing provider-edge switch port status of the configuration. Port status shows as *UP* at both switches.

Switch PE1:

```
Switch# show ethernet cfm maintenance points remote
MPID Level Mac Address Vlan PortState InGressPort Age(sec) Service ID
101 * 4 0015.633f.6900 10 UP Gi0/1 27 blue
```

Switch PE2:

```
Switch# show ethernet cfm maintenance points remote
MPID Level Mac Address Vlan PortState InGressPort Age(sec) Service ID
100 * 4 0012.00a3.3780 10 UP Gi0/1 8 blue
Total Remote MEPs: 1
```

This example shows the outputs when you start remote loopback on CE1 (or PE1). The port state on the remote PE switch shows as *Test* and the remote CE switch goes into error-disable mode.

```
Switch# ethernet oam remote-loopback start interface gigabitEthernet 0/1
This is a intrusive loopback.
Therefore, while you test Ethernet OAM MAC connectivity,
you will be unable to pass traffic across that link.
Proceed with Remote Loopback? [confirm]
```

Switch PE1:

```
Switch# show ethernet cfm maintenance points remote
MPID  Level Mac Address      Vlan PortState InGressPort      Age(sec) Service ID
101 * 4      0015.633f.6900 10   UP          Gi0/1            27      blue
```

Switch PE2:

```
Switch# show ethernet cfm maintenance points remote
MPID  Level Mac Address      Vlan PortState InGressPort      Age(sec) Service ID
100 * 4      0012.00a3.3780 10   TEST       Gi1/1/1         8       blue
Total Remote MEPs: 1
```

In addition, if you shut down the CE1 interface that connects to PE1, the remote PE2 port will show a PortState of *Down*.



## Configuring IP Multicast Routing

---

This chapter describes how to configure IP multicast routing on the Cisco ME 3400E Ethernet Access switch. IP multicasting is a more efficient way to use network resources, especially for bandwidth-intensive services such as audio and video. IP multicast routing enables a host (source) to send packets to a group of hosts (receivers) anywhere within the IP network by using a special form of IP address called the IP *multicast group address*. The sending host inserts the multicast group address into the IP destination address field of the packet, and IP multicast routers and multilayer switches forward incoming IP multicast packets out all interfaces that lead to members of the multicast group. Any host, regardless of whether it is a member of a group, can send to a group. However, only the members of a group receive the message.

To use this feature, the switch must be running the metro IP access image.

**Note**

For complete syntax and usage information for the commands used in this chapter, see the *Cisco IOS IP Command Reference, Volume 3 of 3: Multicast, Release 12.2*.

---

This chapter consists of these sections:

- [Understanding Cisco's Implementation of IP Multicast Routing, page 44-1](#)
- [Configuring IP Multicast Routing, page 44-8](#)
- [Configuring Advanced PIM Features, page 44-34](#)
- [Configuring Optional IGMP Features, page 44-37](#)
- [Configuring Optional Multicast Routing Features, page 44-44](#)
- [Monitoring and Maintaining IP Multicast Routing, page 44-47](#)

For information on configuring the Multicast Source Discovery Protocol (MSDP), see [Chapter 45, "Configuring MSDP."](#)

## Understanding Cisco's Implementation of IP Multicast Routing

The switch supports these protocols to implement IP multicast routing:

- Internet Group Management Protocol (IGMP) is used among hosts on a LAN and the routers (and multilayer switches) on that LAN to track the multicast groups of which hosts are members.
- Protocol-Independent Multicast (PIM) protocol is used among routers and multilayer switches to track which multicast packets to forward to each other and to their directly connected LANs.

According to IPv4 multicast standards, the MAC destination multicast address begins with 0100:5e and is appended by the last 23 bits of the IP address. On the Cisco ME switch, if the multicast packet does not match the switch multicast address, the packets are treated in this way:

- If the packet has a multicast IP address and a unicast MAC address, the packet is forwarded in software. This can occur because some protocols on legacy devices use unicast MAC addresses with multicast IP addresses.
- If the packet has a multicast IP address and an unmatched multicast MAC address, the packet is dropped.

This section contains this information:

- [Understanding IGMP, page 44-2](#)
- [Understanding PIM, page 44-3](#)

## Understanding IGMP

To participate in IP multicasting, multicast hosts, routers, and multilayer switches must have the IGMP operating. This protocol defines the querier and host roles:

- A querier is a network device that sends query messages to discover which network devices are members of a given multicast group.
- A host is a receiver that sends report messages (in response to query messages) to inform a querier of a host membership.

A set of queriers and hosts that receive multicast data streams from the same source is called a multicast group. Queriers and hosts use IGMP messages to join and leave multicast groups.

Any host, regardless of whether it is a member of a group, can send to a group. However, only the members of a group receive the message. Membership in a multicast group is dynamic; hosts can join and leave at any time. There is no restriction on the location or number of members in a multicast group. A host can be a member of more than one multicast group at a time. How active a multicast group is and what members it has can vary from group to group and from time to time. A multicast group can be active for a long time, or it can be very short-lived. Membership in a group can constantly change. A group that has members can have no activity.

IP multicast traffic uses group addresses, which are class D addresses. The high-order bits of a Class D address are 1110. Therefore, host group addresses can be in the range 224.0.0.0 through 239.255.255.255. Multicast addresses in the range 224.0.0.0 to 240.0.0.255 are reserved for use by routing protocols and other network control traffic. The address 224.0.0.0 is guaranteed not to be assigned to any group.

IGMP packets are sent using these IP multicast group addresses:

- IGMP general queries are destined to the address 224.0.0.1 (all systems on a subnet).
- IGMP group-specific queries are destined to the group IP address for which the switch is querying.
- IGMP group membership reports are destined to the group IP address for which the switch is reporting.
- IGMP Version 2 (IGMPv2) leave messages are destined to the address 224.0.0.2 (all-multicast-routers on a subnet). In some old host IP stacks, leave messages might be destined to the group IP address rather than to the all-routers address.



## IGMP Version 1

IGMP Version 1 (IGMPv1) primarily uses a query-response model that enables the multicast router and multilayer switch to find which multicast groups are active (have one or more hosts interested in a multicast group) on the local subnet. IGMPv1 has other processes that enable a host to join and leave a multicast group. For more information, see RFC 1112.

## IGMP Version 2

IGMPv2 extends IGMP functionality by providing such features as the IGMP leave process to reduce leave latency, group-specific queries, and an explicit maximum query response time. IGMPv2 also adds the capability for routers to elect the IGMP querier without depending on the multicast protocol to perform this task. For more information, see RFC 2236.

## Understanding PIM

PIM is called *protocol-independent*: regardless of the unicast routing protocols used to populate the unicast routing table, PIM uses this information to perform multicast forwarding instead of maintaining a separate multicast routing table.

PIM is defined in RFC 2362, *Protocol-Independent Multicast-Sparse Mode (PIM-SM): Protocol Specification*. PIM is defined in these Internet Engineering Task Force (IETF) Internet drafts:

- *Protocol Independent Multicast (PIM): Motivation and Architecture*
- *Protocol Independent Multicast (PIM), Dense Mode Protocol Specification*
- *Protocol Independent Multicast (PIM), Sparse Mode Protocol Specification*
- *draft-ietf-idmr-igmp-v2-06.txt, Internet Group Management Protocol, Version 2*
- *draft-ietf-pim-v2-dm-03.txt, PIM Version 2 Dense Mode*

This section includes this information about PIM:

- [PIM Versions, page 44-3](#)
- [PIM Modes, page 44-4](#)
- [PIM Stub Routing, page 44-5](#)
- [IGMP Helper, page 44-5](#)
- [Auto-RP, page 44-6](#)
- [Bootstrap Router, page 44-6](#)
- [Multicast Forwarding and Reverse Path Check, page 44-7](#)

## PIM Versions

PIMv2 includes these improvements over PIMv1:

- A single, active rendezvous point (RP) exists per multicast group, with multiple backup RPs. This single RP compares to multiple active RPs for the same group in PIMv1.
- A bootstrap router (BSR) provides a fault-tolerant, automated RP discovery and distribution mechanism that enables routers and multilayer switches to dynamically learn the group-to-RP mappings.

- Sparse mode and dense mode are properties of a group, as opposed to an interface. We strongly recommend sparse-dense mode, as opposed to either sparse mode or dense mode only.
- PIM join and prune messages have more flexible encoding for multiple address families.
- A more flexible hello packet format replaces the query packet to encode current and future capability options.
- Register messages to an RP specify whether they are sent by a border router or a designated router.
- PIM packets are no longer inside IGMP packets; they are standalone packets.

## PIM Modes

PIM can operate in dense mode (DM), sparse mode (SM), or in sparse-dense mode (PIM DM-SM), which handles both sparse groups and dense groups at the same time.

### PIM DM

PIM DM builds source-based multicast distribution trees. In dense mode, a PIM DM router or multilayer switch assumes that all other routers or multilayer switches forward multicast packets for a group. If a PIM DM device receives a multicast packet and has no directly connected members or PIM neighbors present, a prune message is sent back to the source to stop unwanted multicast traffic. Subsequent multicast packets are not flooded to this router or switch on this pruned branch because branches without receivers are pruned from the distribution tree, leaving only branches that contain receivers.

When a new receiver on a previously pruned branch of the tree joins a multicast group, the PIM DM device detects the new receiver and immediately sends a graft message up the distribution tree toward the source. When the upstream PIM DM device receives the graft message, it immediately puts the interface on which the graft was received into the forwarding state so that the multicast traffic begins flowing to the receiver.

### PIM SM

PIM SM uses shared trees and shortest-path-trees (SPTs) to distribute multicast traffic to multicast receivers in the network. In PIM SM, a router or multilayer switch assumes that other routers or switches do not forward multicast packets for a group, unless there is an explicit request for the traffic (join message). When a host joins a multicast group using IGMP, its directly connected PIM SM device sends PIM join messages toward the root, also known as the RP. This join message travels router-by-router toward the root, constructing a branch of the shared tree as it goes.

The RP keeps track of multicast receivers. It also registers sources through register messages received from the source's first-hop router (*designated router* [DR]) to complete the shared tree path from the source to the receiver. When using a shared tree, sources must send their traffic to the RP so that the traffic reaches all receivers.

Prune messages are sent up the distribution tree to prune multicast group traffic. This action permits branches of the shared tree or SPT that were created with explicit join messages to be torn down when they are no longer needed.

## PIM Stub Routing

The PIM stub routing feature reduces resource usage by moving routed traffic closer to the end user.

In a network using PIM stub routing, the only allowable route for IP traffic to the user is through a switch that is configured with PIM stub routing. PIM passive interfaces are connected to Layer 2 access domains, such as VLANs, or to interfaces that are connected to other Layer 2 devices. Only directly connected multicast (IGMP) receivers and sources are allowed in the Layer 2 access domains. The PIM passive interfaces do not send or process any received PIM control packets.

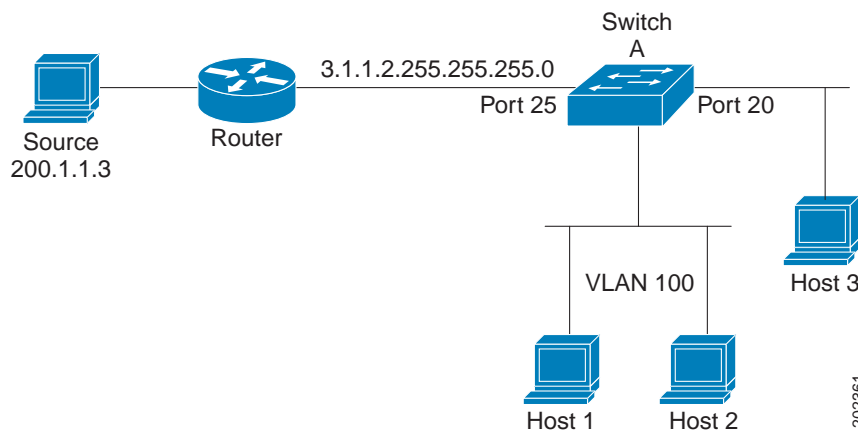
When using PIM stub routing, you should configure the distribution and remote routers to use IP multicast routing and configure only the switch as a PIM stub router. The switch does not route transit traffic between distribution routers. You also need to configure a routed uplink port on the switch. The switch uplink port cannot be used with SVIs. If you need PIM for an SVI uplink port, you should upgrade to the IP services feature set.

You must also configure EIGRP stub routing when configuring PIM stub routing on the switch. For more information, see the [“Configuring EIGRP Stub Routing”](#) section on page 36-40.

The redundant PIM stub router topology is not supported. The redundant topology exists when there is more than one PIM router forwarding multicast traffic to a single access domain. PIM messages are blocked, and the PIM assert and designated router election mechanisms are not supported on the PIM passive interfaces. Only the nonredundant access router topology is supported by the PIM stub feature. By using a nonredundant topology, the PIM passive interface assumes that it is the only interface and designated router on that access domain.

In [Figure 44-1](#), Switch A routed uplink port 25 is connected to the router and PIM stub routing is enabled on the VLAN 100 interfaces and on Host 3. This configuration allows the directly connected hosts to receive traffic from multicast source 200.1.1.3. See the [“Configuring PIM Stub Routing”](#) section on page 44-12 for more information.

**Figure 44-1** PIM Stub Router Configuration



The IGMP packets from a host wanting to join a multicast stream are forwarded upstream to the next-hop device when this feature is configured. When the upstream central router receives the helper IGMP reports or leaves, it adds or removes the interfaces from its outgoing interface list for that group.

For complete syntax and usage information for the **ip igmp helper-address** command, see the [Cisco IOS IP Command Reference, Multicast, Release 12.2](#).

## Auto-RP

This proprietary feature eliminates the need to manually configure the RP information in every router and multilayer switch in the network. For Auto-RP to work, you configure a Cisco router or multilayer switch as the mapping agent. It uses IP multicast to learn which routers or switches in the network are possible candidate RPs to receive candidate RP announcements. Candidate RPs periodically send multicast RP-announce messages to a particular group or group range to announce their availability.

Mapping agents listen to these candidate RP announcements and use the information to create entries in their Group-to-RP mapping caches. Only one mapping cache entry is created for any Group-to-RP range received, even if multiple candidate RPs are sending RP announcements for the same range. As the RP-announce messages arrive, the mapping agent selects the router or switch with the highest IP address as the active RP and stores this RP address in the Group-to-RP mapping cache.

Mapping agents periodically multicast the contents of their Group-to-RP mapping cache. Thus, all routers and switches automatically discover which RP to use for the groups they support. If a router or switch fails to receive RP-discovery messages and the Group-to-RP mapping information expires, it switches to a statically configured RP that was defined with the **ip pim rp-address** global configuration command. If no statically configured RP exists, the router or switch changes the group to dense-mode operation.

Multiple RPs serve different group ranges or serve as hot backups of each other.

## Bootstrap Router

PIMv2 BSR is another method to distribute group-to-RP mapping information to all PIM routers and multilayer switches in the network. It eliminates the need to manually configure RP information in every router and switch in the network. However, instead of using IP multicast to distribute group-to-RP mapping information, BSR uses hop-by-hop flooding of special BSR messages to distribute the mapping information.

The BSR is elected from a set of candidate routers and switches in the domain that have been configured to function as BSRs. The election mechanism is similar to the root-bridge election mechanism used in bridged LANs. The BSR election is based on the BSR priority of the device contained in the BSR messages that are sent hop-by-hop through the network. Each BSR device examines the message and forwards out all interfaces only the message that has either a higher BSR priority than its BSR priority or the same BSR priority, but with a higher BSR IP address. Using this method, the BSR is elected.

The elected BSR sends BSR messages with a TTL of 1. Neighboring PIMv2 routers or multilayer switches receive the BSR message and multicast it out all other interfaces (except the one on which it was received) with a TTL of 1. In this way, BSR messages travel hop-by-hop throughout the PIM domain. Because BSR messages contain the IP address of the current BSR, the flooding mechanism enables candidate RPs to automatically learn which device is the elected BSR.

Candidate RPs send candidate RP advertisements showing the group range for which they are responsible to the BSR, which stores this information in its local candidate-RP cache. The BSR periodically advertises the contents of this cache in BSR messages to all other PIM devices in the domain. These messages travel hop-by-hop through the network to all routers and switches, which store the RP information in the BSR message in their local RP cache. The routers and switches select the same RP for a given group because they all use a common RP hashing algorithm.

## Multicast Forwarding and Reverse Path Check

With unicast routing, routers and multilayer switches forward traffic through the network along a single path from the source to the destination host whose IP address appears in the destination address field of the IP packet. Each router and switch along the way makes a unicast forwarding decision, using the destination IP address in the packet, by looking up the destination address in the unicast routing table and forwarding the packet through the specified interface to the next hop toward the destination.

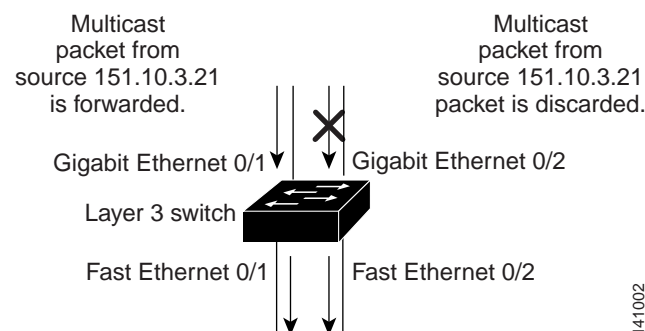
With multicasting, the source is sending traffic to an arbitrary group of hosts represented by a multicast group address in the destination address field of the IP packet. To decide whether to forward or drop an incoming multicast packet, the router or multilayer switch uses a reverse path forwarding (RPF) check on the packet as follows and shown in [Figure 44-2](#):

1. The router or multilayer switch examines the source address of the arriving multicast packet to decide whether the packet arrived on an interface that is on the reverse path back to the source.
2. If the packet arrives on the interface leading back to the source, the RPF check is successful and the packet is forwarded to all interfaces in the outgoing interface list (which might not be all interfaces on the router).
3. If the RPF check fails, the packet is discarded.

Some multicast routing protocols maintain a separate multicast routing table and use it for the RPF check. However, PIM uses the unicast routing table to perform the RPF check.

[Figure 44-2](#) shows port 2 receiving a multicast packet from source 151.10.3.21. [Table 44-1](#) shows that the port on the reverse path to the source is port 1, not port 2. Because the RPF check fails, the multilayer switch discards the packet. Another multicast packet from source 151.10.3.21 is received on port 1, and the routing table shows this port is on the reverse path to the source. Because the RPF check passes, the switch forwards the packet to all port in the outgoing port list.

**Figure 44-2** RPF Check



**Table 44-1 Routing Table Example for an RPF Check**

Network	Port
151.10.0.0/16	Gigabit Ethernet 0/1
198.14.32.0/32	Fast Ethernet 0/1
204.1.16.0/24	Fast Ethernet 0/2

PIM uses both source trees and RP-rooted shared trees to forward datagrams (described in the “[PIM DM](#)” section on page 44-4 and the “[PIM SM](#)” section on page 44-4). The RPF check is performed differently for each:

- If a PIM router or multilayer switch has a source-tree state (that is, an (S,G) entry is present in the multicast routing table), it performs the RPF check against the IP address of the source of the multicast packet.
- If a PIM router or multilayer switch has a shared-tree state (and no explicit source-tree state), it performs the RPF check on the RP address (which is known when members join the group).

Sparse-mode PIM uses the RPF lookup function to decide where it needs to send joins and prunes:

- (S,G) joins (which are source-tree states) are sent toward the source.
- (\*,G) joins (which are shared-tree states) are sent toward the RP.

Dense-mode PIM uses only source trees and use RPF as previously described.

## Configuring IP Multicast Routing

- [Default Multicast Routing Configuration, page 44-8](#)
- [Multicast Routing Configuration Guidelines, page 44-9](#)
- [Configuring Basic Multicast Routing, page 44-10](#) (required)
- [Configuring PIM Stub Routing, page 44-12](#) (optional)
- [Configuring Source-Specific Multicast, page 44-14](#)
- [Configuring Source Specific Multicast Mapping, page 44-18](#)
- [Configuring a Rendezvous Point, page 44-23](#) (required if the interface is in sparse-dense mode, and you want to treat the group as a sparse group)
- [Using Auto-RP and a BSR, page 44-33](#) (required for non-Cisco PIMv2 devices to interoperate with Cisco PIM v1 devices)
- [Monitoring the RP Mapping Information, page 44-34](#) (optional)
- [Troubleshooting PIMv1 and PIMv2 Interoperability Problems, page 44-34](#) (optional)

## Default Multicast Routing Configuration

[Table 44-2](#) shows the default multicast routing configuration.

**Table 44-2** Default Multicast Routing Configuration

Feature	Default Setting
Multicast routing	Disabled on all interfaces.
PIM version	Version 2.
PIM mode	No mode is defined.
PIM RP address	None configured.
PIM domain border	Disabled.
PIM multicast boundary	None.
Candidate BSRs	Disabled.
Candidate RPs	Disabled.
Shortest-path tree threshold rate	0 kbps.
PIM router query message interval	30 seconds.

## Multicast Routing Configuration Guidelines

- [PIMv1 and PIMv2 Interoperability, page 44-9](#)
- [Auto-RP and BSR Configuration Guidelines, page 44-10](#)

### PIMv1 and PIMv2 Interoperability

The Cisco PIMv2 implementation provides interoperability and transition between Version 1 and Version 2, although there might be some minor problems.

You can upgrade to PIMv2 incrementally. PIM Versions 1 and 2 can be configured on different routers and multilayer switches within one network. Internally, all routers and multilayer switches on a shared media network must run the same PIM version. Therefore, if a PIMv2 device detects a PIMv1 device, the Version 2 device downgrades itself to Version 1 until all Version 1 devices have been shut down or upgraded.

PIMv2 uses the BSR to discover and announce RP-set information for each group prefix to all the routers and multilayer switches in a PIM domain. PIMv1, together with the Auto-RP feature, can perform the same tasks as the PIMv2 BSR. However, Auto-RP is a standalone protocol, separate from PIMv1, and is a proprietary Cisco protocol. PIMv2 is a standards track protocol in the IETF. We recommend that you use PIMv2. The BSR mechanism interoperates with Auto-RP on Cisco routers and multilayer switches. For more information, see the [“Auto-RP and BSR Configuration Guidelines” section on page 44-10](#).

When PIMv2 devices interoperate with PIMv1 devices, Auto-RP should have already been deployed. A PIMv2 BSR that is also an Auto-RP mapping agent automatically advertises the RP elected by Auto-RP. That is, Auto-RP sets its single RP on every router or multilayer switch in the group. Not all routers and switches in the domain use the PIMv2 hash function to select multiple RPs.

Dense-mode groups in a mixed PIMv1 and PIMv2 region need no special configuration; they automatically interoperate.

Sparse-mode groups in a mixed PIMv1 and PIMv2 region are possible because the Auto-RP feature in PIMv1 interoperates with the PIMv2 RP feature. Although all PIMv2 devices can also use PIMv1, we recommend that the RPs be upgraded to PIMv2. To ease the transition to PIMv2, we have these recommendations:

- Use Auto-RP throughout the region.
- Configure sparse-dense mode throughout the region.

If Auto-RP is not already configured in the PIMv1 regions, configure Auto-RP. For more information, see the [“Configuring Auto-RP” section on page 44-25](#).

## Auto-RP and BSR Configuration Guidelines

There are two approaches to using PIMv2. You can use Version 2 exclusively in your network or migrate to Version 2 by employing a mixed PIM version environment.

- If your network is all Cisco routers and multilayer switches, you can use either Auto-RP or BSR.
- If you have non-Cisco routers in your network, you must use BSR.
- If you have Cisco PIMv1 and PIMv2 routers and multilayer switches and non-Cisco routers, you must use both Auto-RP and BSR. If your network includes routers from other vendors, configure the Auto-RP mapping agent and the BSR on a Cisco PIMv2 device. Ensure that no PIMv1 device is located in the path a between the BSR and a non-Cisco PIMv2 device.
- Because bootstrap messages are sent hop-by-hop, a PIMv1 device prevents these messages from reaching all routers and multilayer switches in your network. Therefore, if your network has a PIMv1 device in it and only Cisco routers and multilayer switches, it is best to use Auto-RP.
- If you have a network that includes non-Cisco routers, configure the Auto-RP mapping agent and the BSR on a Cisco PIMv2 router or multilayer switch. Ensure that no PIMv1 device is on the path between the BSR and a non-Cisco PIMv2 router.
- If you have non-Cisco PIMv2 routers that need to interoperate with Cisco PIMv1 routers and multilayer switches, both Auto-RP and a BSR are required. We recommend that a Cisco PIMv2 device be both the Auto-RP mapping agent and the BSR. For more information, see the [“Using Auto-RP and a BSR” section on page 44-33](#).

## Configuring Basic Multicast Routing

You must enable IP multicast routing and configure the PIM version and the PIM mode. Then the software can forward multicast packets, and the switch can populate its multicast routing table.



### Note

---

To enable IP multicast routing, the switch must be running the metro IP access image.

---

You can configure an interface to be in PIM dense mode, sparse mode, or sparse-dense mode. The switch populates its multicast routing table and forwards multicast packets it receives from its directly connected LANs according to the mode setting. You must enable PIM in one of these modes for an interface to perform IP multicast routing. Enabling PIM on an interface also enables IGMP operation on that interface.



**Note**

If you enable PIM on multiple interfaces and most of these interfaces are not part of the outgoing interface list, when IGMP snooping is disabled the outgoing interface might not be able to sustain line rate for multicast traffic because of the extra, unnecessary replication.

In populating the multicast routing table, dense-mode interfaces are always added to the table. Sparse-mode interfaces are added to the table only when periodic join messages are received from downstream devices or when there is a directly connected member on the interface. When forwarding from a LAN, sparse-mode operation occurs if there is an RP known for the group. If so, the packets are encapsulated and sent toward the RP. When no RP is known, the packet is flooded in a dense-mode fashion. If the multicast traffic from a specific source is sufficient, the receiver's first-hop router might send join messages toward the source to build a source-based distribution tree.

By default, multicast routing is disabled, and there is no default mode setting. This procedure is required.

Beginning in privileged EXEC mode, follow these steps to enable IP multicasting, to configure a PIM version, and to configure a PIM mode. This procedure is required.

	Command	Purpose
Step 1	<b>configure terminal</b>	Enter global configuration mode.
Step 2	<b>ip multicast-routing distributed</b>	Enable IP multicast distributed switching.
Step 3	<b>interface</b> <i>interface-id</i>	Specify the Layer 3 interface on which you want to enable multicast routing, and enter interface configuration mode.  The specified interface must be one of the following: <ul style="list-style-type: none"> <li>• A routed port: a physical port that has been configured as a Layer 3 port by entering the <b>no switchport</b> interface configuration command.</li> <li>• An SVI: a VLAN interface created by using the <b>interface vlan</b> <i>vlan-id</i> global configuration command.</li> </ul> These interfaces must have IP addresses assigned to them. For more information, see the <a href="#">“Configuring Layer 3 Interfaces” section on page 10-25</a> .
Step 4	<b>no shutdown</b>	Enable the port, if necessary. By default, user network interfaces (UNIs) and enhanced network interfaces (ENIs) are disabled, and network node interfaces (NNIs) are enabled.
Step 5	<b>ip pim version</b> [1   2]	Configure the PIM version on the interface.  By default, Version 2 is enabled and is the recommended setting.  An interface in PIMv2 mode automatically downgrades to PIMv1 mode if that interface has a PIMv1 neighbor. The interface returns to Version 2 mode after all Version 1 neighbors are shut down or upgraded.  For more information, see the <a href="#">“PIMv1 and PIMv2 Interoperability” section on page 44-9</a> .

	Command	Purpose
Step 6	<b>ip pim {dense-mode   sparse-mode   sparse-dense-mode}</b>	<p>Enable a PIM mode on the interface.</p> <p>By default, no mode is configured.</p> <p>The keywords have these meanings:</p> <ul style="list-style-type: none"> <li>• <b>dense-mode</b>—Enables dense mode of operation.</li> <li>• <b>sparse-mode</b>—Enables sparse mode of operation. If you configure sparse-mode, you must also configure an RP. For more information, see the <a href="#">“Configuring a Rendezvous Point”</a> section on page 44-23.</li> <li>• <b>sparse-dense-mode</b>—Causes the interface to be treated in the mode in which the group belongs. Sparse-dense-mode is the recommended setting.</li> </ul>
Step 7	<b>end</b>	Return to privileged EXEC mode.
Step 8	<b>show running-config</b>	Verify your entries.
Step 9	<b>copy running-config startup-config</b>	(Optional) Save your entries in the configuration file.

To disable multicasting, use the **no ip multicast-routing distributed** global configuration command. To return to the default PIM version, use the **no ip pim version** interface configuration command. To disable PIM on an interface, use the **no ip pim** interface configuration command.

## Configuring PIM Stub Routing

The PIM Stub routing feature supports multicast routing between the distribution layer and the access layer. It supports two types of PIM interfaces, uplink PIM interfaces, and PIM passive interfaces. A routed interface configured with the PIM passive mode does not pass or forward PIM control traffic, it only passes and forwards IGMP traffic.

### PIM Stub Routing Configuration Guidelines

- Before configuring PIM stub routing, you must have IP multicast routing configured on both the stub router and the central router. You must also have PIM mode (dense-mode, sparse-mode, or dense-sparse-mode) configured on the uplink interface of the stub router.
- The PIM stub router does not route the transit traffic between the distribution routers. Unicast (EIGRP) stub routing enforces this behavior. You must configure unicast stub routing to assist the PIM stub router behavior. For more information, see the [“Configuring EIGRP Stub Routing”](#) section on page 36-40.
- Only directly connected multicast (IGMP) receivers and sources are allowed in the Layer 2 access domains. The PIM protocol is not supported in access domains.
- The redundant PIM stub router topology is not supported.

## Enabling PIM Stub Routing

Beginning in privileged EXEC mode, follow these steps to enable PIM stub routing on an interface. This procedure is optional.

	Command	Purpose
Step 1	<b>configure terminal</b>	Enter global configuration mode.
Step 2	<b>interface</b> <i>interface-id</i>	Specify the interface on which you want to enable PIM stub routing, and enter interface configuration mode.
Step 3	<b>ip pim passive</b>	Configure the PIM stub feature on the interface.
Step 4	<b>end</b>	Return to privileged EXEC mode.
Step 5	<b>show ip pim interface</b>	Display the PIM stub that is enabled on each interface.
Step 6	<b>show running-config</b>	Verify your entries.
Step 7	<b>copy running-config startup-config</b>	(Optional) Save your entries in the configuration file.

To disable PIM stub routing on an interface, use the **no ip pim passive** interface configuration command.

In this example, IP multicast routing is enabled, Switch A PIM uplink port 25 is configured as a routed uplink port with **spare-dense-mode enabled**. PIM stub routing is enabled on the VLAN 100 interfaces and on Gigabit Ethernet port 20 in [Figure 44-1](#):

```
Switch(config)# ip multicast-routing distributed
Switch(config)# interface GigabitEthernet0/25
Switch(config-if)# no switchport
Switch(config-if)# ip address 3.1.1.2 255.255.255.0
Switch(config-if)# ip pim sparse-dense-mode
Switch(config-if)# exit
Switch(config)# interface vlan100
Switch(config-if)# ip pim passive
Switch(config-if)# exit
Switch(config)# interface GigabitEthernet0/20
Switch(config-if)# ip pim passive
Switch(config-if)# exit
Switch(config)# interface vlan100
Switch(config-if)# ip address 100.1.1.1 255.255.255.0
Switch(config-if)# ip pim passive
Switch(config-if)# exit
Switch(config)# interface GigabitEthernet0/20
Switch(config-if)# no switchport
Switch(config-if)# ip address 10.1.1.1 255.255.255.0
Switch(config-if)# ip pim passive
Switch(config-if)# end
```

To verify that PIM stub is enabled for each interface, use the **show ip pim interface** privileged EXEC command:

```
Switch# show ip pim interface
Address Interface Ver/ Nbr Query DR DR
Mode Count Intvl Prior
3.1.1.2 GigabitEthernet0/25 v2/SD 1 30 1 3.1.1.2
100.1.1.1 Vlan100 v2/P 0 30 1 100.1.1.1
10.1.1.1 GigabitEthernet0/20 v2/P 0 30 1 10.1.1.1
```

Use these privileged EXEC commands to display information about PIM stub configuration and status:

- **show ip pim interface** displays the PIM stub that is enabled on each interface.
- **show ip igmp detail** displays the interested clients that have joined the specific multicast source group.
- **show ip igmp mroute** verifies that the multicast stream forwards from the source to the interested clients.

## Configuring Source-Specific Multicast

This section describes how to configure source-specific multicast (SSM). For a complete description of the SSM commands in this section, refer to the “IP Multicast Routing Commands” chapter of the *Cisco IOS IP Command Reference, Volume 3 of 4: Multicast*. To locate documentation for other commands that appear in this chapter, use the command reference master index, or search online.

The SSM feature is an extension of IP multicast in which datagram traffic is forwarded to receivers from only those multicast sources that the receivers have explicitly joined. For multicast groups configured for SSM, only SSM distribution trees (no shared trees) are created.

## SSM Components Overview

SSM is a datagram delivery model that best supports one-to-many applications, also known as broadcast applications. SSM is a core networking technology for the Cisco implementation of IP multicast solutions targeted for audio and video broadcast application environments. The switch supports these components that support the implementation of SSM:

- Protocol independent multicast source-specific mode (PIM-SSM)

PIM-SSM is the routing protocol that supports the implementation of SSM and is derived from PIM sparse mode (PIM-SM).

- Internet Group Management Protocol version 3 (IGMPv3)

To run SSM with IGMPv3, SSM must be supported in the Cisco IOS router, the host where the application is running, and the application itself.

## How SSM Differs from Internet Standard Multicast

The current IP multicast infrastructure in the Internet and many enterprise intranets is based on the PIM-SM protocol and Multicast Source Discovery Protocol (MSDP). These protocols have the limitations of the Internet Standard Multicast (ISM) service model. For example, with ISM, the network must maintain knowledge about which hosts in the network are actively sending multicast traffic.

The ISM service consists of the delivery of IP datagrams from any source to a group of receivers called the multicast host group. The datagram traffic for the multicast host group consists of datagrams with an arbitrary IP unicast source address *S* and the multicast group address *G* as the IP destination address. Systems receive this traffic by becoming members of the host group.

Membership in a host group simply requires signalling the host group through IGMP version 1, 2, or 3. In SSM, delivery of datagrams is based on (*S*, *G*) channels. In both SSM and ISM, no signalling is required to become a source. However, in SSM, receivers must subscribe or unsubscribe to (*S*, *G*) channels to receive or not receive traffic from specific sources. In other words, receivers can receive traffic only from (*S*, *G*) channels to which they are subscribed, whereas in ISM, receivers need not know the IP addresses of sources from which they receive their traffic. The proposed standard approach for channel subscription signalling use IGMP include mode membership reports, which are supported only in IGMP version 3.

## SSM IP Address Range

SSM can coexist with the ISM service by applying the SSM delivery model to a configured subset of the IP multicast group address range. Cisco IOS software allows SSM configuration for the IP multicast address range of 224.0.0.0 through 239.255.255.255. When an SSM range is defined, existing IP multicast receiver applications do not receive any traffic when they try to use an address in the SSM range (unless the application is modified to use an explicit (*S*, *G*) channel subscription).

## SSM Operations

An established network, in which IP multicast service is based on PIM-SM, can support SSM services. SSM can also be deployed alone in a network without the full range of protocols that are required for interdomain PIM-SM (for example, MSDP, Auto-RP, or bootstrap router [BSR]) if only SSM service is needed.

If SSM is deployed in a network already configured for PIM-SM, only the last-hop routers support SSM. Routers that are not directly connected to receivers do not require support for SSM. In general, these not-last-hop routers must only run PIM-SM in the SSM range and might need additional access control configuration to suppress MSDP signalling, registering, or PIM-SM shared tree operations from occurring within the SSM range.

Use the **ip pim ssm** global configuration command to configure the SSM range and to enable SSM. This configuration has the following effects:

- For groups within the SSM range, (S, G) channel subscriptions are accepted through IGMPv3 include-mode membership reports.
- PIM operations within the SSM range of addresses change to PIM-SSM, a mode derived from PIM-SM. In this mode, only PIM (S, G) join and prune messages are generated by the router, and no (S, G) rendezvous point tree (RPT) or (\*, G) RPT messages are generated. Incoming messages related to RPT operations are ignored or rejected, and incoming PIM register messages are immediately answered with register-stop messages. PIM-SSM is backward-compatible with PIM-SM unless a router is a last-hop router. Therefore, routers that are not last-hop routers can run PIM-SM for SSM groups (for example, if they do not yet support SSM).
- No MSDP source-active (SA) messages within the SSM range are accepted, generated, or forwarded.

## IGMPv3 Host Signalling

In IGMPv3, hosts signal membership to last hop routers of multicast groups. Hosts can signal group membership with filtering capabilities with respect to sources. A host can either signal that it wants to receive traffic from all sources sending to a group except for some specific sources (called exclude mode), or that it wants to receive traffic only from some specific sources sending to the group (called include mode).

IGMPv3 can operate with both ISM and SSM. In ISM, both exclude and include mode reports are applicable. In SSM, only include mode reports are accepted by the last-hop router. Exclude mode reports are ignored.

## Configuration Guidelines

### Legacy Applications Within the SSM Range Restrictions

Existing applications in a network predating SSM do not work within the SSM range unless they are modified to support (S, G) channel subscriptions. Therefore, enabling SSM in a network can cause problems for existing applications if they use addresses within the designated SSM range.

## Address Management Restrictions

Address management is still necessary to some degree when SSM is used with Layer 2 switching mechanisms. Cisco Group Management Protocol (CGMP), IGMP snooping, or Router-Port Group Management Protocol (RGMP) support only group-specific filtering, not (S, G) channel-specific filtering. If different receivers in a switched network request different (S, G) channels sharing the same group, they do not benefit from these existing mechanisms. Instead, both receivers receive all (S, G) channel traffic and filter out the unwanted traffic on input. Because SSM can re-use the group addresses in the SSM range for many independent applications, this situation can lead to decreased traffic filtering in a switched network. For this reason, it is important to use random IP addresses from the SSM range for an application to minimize the chance for re-use of a single address within the SSM range between different applications. For example, an application service providing a set of television channels should, even with SSM, use a different group for each television (S, G) channel. This setup guarantees that multiple receivers to different channels within the same application service never experience traffic aliasing in networks that include Layer 2 switches.

## IGMP Snooping and CGMP Limitations

IGMPv3 uses new membership report messages that might not be correctly recognized by older IGMP snooping switches.

For more information about switching issues related to IGMP (especially with CGMP), refer to the “Configuring IGMP Version 3” section of the “Configuring IP Multicast Routing” chapter.

## State Maintenance Limitations

In PIM-SSM, the last hop router continues to periodically send (S, G) join messages if appropriate (S, G) subscriptions are on the interfaces. Therefore, as long as receivers send (S, G) subscriptions, the shortest path tree (SPT) state from the receivers to the source is maintained, even if the source does not send traffic for longer periods of time (or even never).

This case is opposite to PIM-SM, where (S, G) state is maintained only if the source is sending traffic and receivers are joining the group. If a source stops sending traffic for more than 3 minutes in PIM-SM, the (S, G) state is deleted and only re-established after packets from the source arrive again through the RPT. Because no mechanism in PIM-SSM notifies a receiver that a source is active, the network must maintain the (S, G) state in PIM-SSM as long as receivers are requesting receipt of that channel.

## Configuring SSM

Beginning in privileged EXEC mode, follow these steps to configure SSM:

	Command	Purpose
Step 1	<b>ip pim ssm</b> [default   range <i>access-list</i> ]	Define the SSM range of IP multicast addresses.
Step 2	<b>interface</b> type number	Select an interface that is connected to hosts on which IGMPv3 can be enabled, and enter the interface configuration mode.
Step 3	<b>ip pim</b> { <i>sparse-mode</i>   <i>sparse-dense-mode</i> }	Enable PIM on an interface. You must use either <b>sparse mode</b> or <b>sparse-dense mode</b> .
Step 4	<b>ip igmp version 3</b>	Enable IGMPv3 on this interface. The default version of IGMP is set to Version 2.

## Monitoring SSM

Use the commands in [Table 44-3](#) to monitor SSM.

**Table 44-3**      *Monitoring SSM*

Command	Purpose
<b>show ip igmp groups detail</b>	Display the (S, G) channel subscription through IGMPv3.
<b>show ip mroute</b>	Display whether a multicast group supports SSM service or whether a source-specific host report was received.

## Configuring Source Specific Multicast Mapping

The Source Specific Multicast (SSM) mapping feature supports SSM transition when supporting SSM on the end system is impossible or unwanted due to administrative or technical reasons. You can use SSM mapping to leverage SSM for video delivery to legacy STBs that do not support IGMPv3 or for applications that do not use the IGMPv3 host stack.

This section covers these topics:

- [Configuration Guidelines and Restrictions, page 44-18](#)
- [SSM Mapping Overview, page 44-19](#)
- [Configuring SSM Mapping, page 44-20](#)
- [Monitoring SSM Mapping, page 44-23](#)

## Configuration Guidelines and Restrictions

SSM mapping configuration guidelines:

- Before you configure SSM mapping, enable IP multicast routing, enable PIM sparse mode, and configure SSM. For information on enabling IP multicast routing and PIM sparse mode, see the [“Default Multicast Routing Configuration” section on page 44-8](#).
- Before you configure static SSM mapping, you must configure access control lists (ACLs) that define the group ranges to be mapped to source addresses. For information on configuring an ACL, see [Chapter 32, “Configuring Network Security with ACLs.”](#)
- Before you can configure and use SSM mapping with DNS lookups, you must be able to add records to a running DNS server. If you do not already have a DNS server running, you need to install one. You can use a product such as Cisco Network Registrar.

SSM mapping restrictions:

- The SSM mapping feature does not have all the benefits of full SSM. Because SSM mapping takes a group join from a host and identifies this group with an application associated with one or more sources, it can only support one such application per group. Full SSM applications can still share the same group as in SSM mapping.
- Enable IGMPv3 with care on the last hop router when you rely solely on SSM mapping as a transition solution for full SSM. When you enable both SSM mapping and IGMPv3 and the hosts already support IGMPv3 (but not SSM), the hosts send IGMPv3 group reports. SSM mapping does not support these IGMPv3 group reports, and the router does not correctly associate sources with these reports.



## SSM Mapping Overview

In a typical STB deployment, each TV channel uses one separate IP multicast group and has one active server host sending the TV channel. A single server can send multiple TV channels, but each to a different group. In this network environment, if a router receives an IGMPv1 or IGMPv2 membership report for a particular group, the report addresses the well-known TV server for the TV channel associated with the multicast group.

When SSM mapping is configured, if a router receives an IGMPv1 or IGMPv2 membership report for a particular group, the router translates this report into one or more channel memberships for the well-known sources associated with this group.

When the router receives an IGMPv1 or IGMPv2 membership report for a group, the router uses SSM mapping to determine one or more source IP addresses for the group. SSM mapping then translates the membership report as an IGMPv3 report and continues as if it had received an IGMPv3 report. The router then sends PIM joins and continues to be joined to these groups as long as it continues to receive the IGMPv1 or IGMPv2 membership reports, and the SSM mapping for the group remains the same.

SSM mapping enables the last hop router to determine the source addresses either by a statically configured table on the router or through a DNS server. When the statically configured table or the DNS mapping changes, the router leaves the current sources associated with the joined groups.

For additional information on SSM mapping, see the "Source Specific Multicast (SSM) Mapping" chapter of the *Cisco IOS IP Multicast Configuration Guide, Release 12.4T*.

### Static SSM Mapping

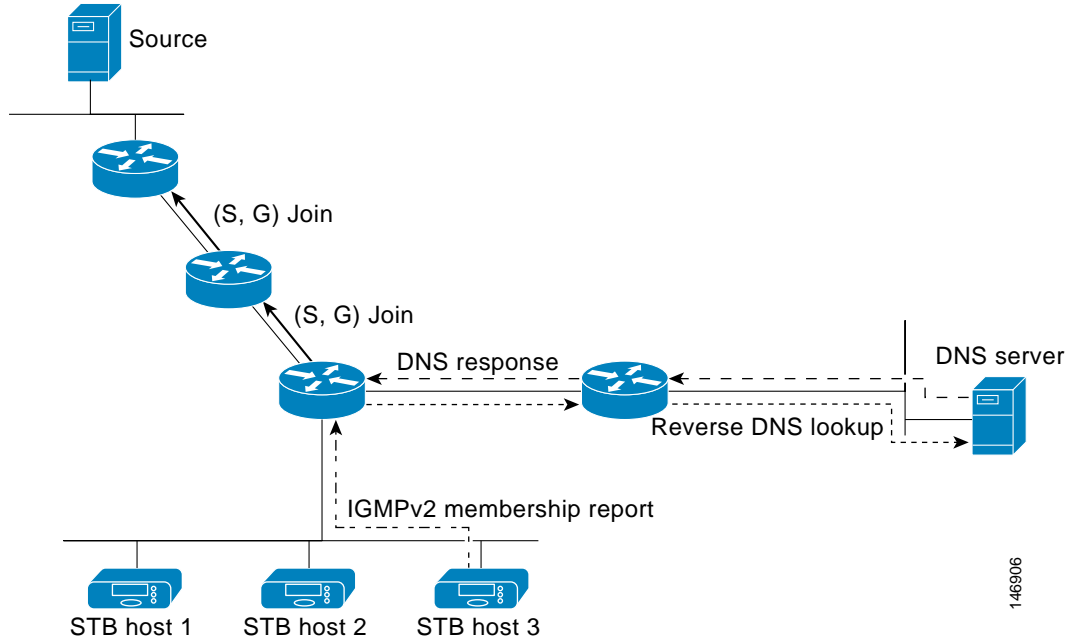
With static SSM mapping, you can configure the last hop router to use a static map to determine the sources that are sending to groups. Static SSM mapping requires that you configure ACLs to define group ranges. Then you can map the groups permitted by those ACLs to sources by using the **ip igmp static ssm-map** global configuration command.

You can configure static SSM mapping in smaller networks when a DNS is not needed or to locally override DNS mappings. When configured, static SSM mappings take precedence over DNS mappings.

### DNS-Based SSM Mapping

You can use DNS-based SSM mapping to configure the last hop router to perform a reverse DNS lookup to determine sources sending to groups. When DNS-based SSM mapping is configured, the router constructs a domain name that includes the group address and performs a reverse lookup into the DNS. The router looks up IP address resource records and uses them as the source addresses associated with this group. SSM mapping supports up to 20 sources for each group. The router joins all sources configured for a group (see [Figure 44-3](#)).

Figure 44-3 DNS-Based SSM-Mapping



The SSM mapping mechanism that enables the last hop router to join multiple sources for a group can provide source redundancy for a TV broadcast. In this context, the last hop router provides redundancy using SSM mapping to simultaneously join two video sources for the same TV channel. However, to prevent the last hop router from duplicating the video traffic, the video sources must use a server-side switchover mechanism. One video source is active, and the other backup video source is passive. The passive source waits until an active source failure is detected before sending the video traffic for the TV channel. Thus, the server-side switchover mechanism ensures that only one of the servers is actively sending video traffic for the TV channel.

To look up one or more source addresses for a group that includes G1, G2, G3, and G4, you must configure these DNS records on the DNS server:

```
G4.G3.G2.G1 [multicast-domain] [timeout]IN A source-address-1
      IN A source-address-2
      IN A source-address-n
```

Refer to your DNS server documentation for more information about configuring DNS resource records. For additional information on SSM mapping, see the "Source Specific Multicast (SSM) Mapping" chapter of the *Cisco IOS IP Multicast Configuration Guide, Release 12.4T*.

## Configuring SSM Mapping

- [Configuring Static SSM Mapping, page 44-21](#) (required)
- [Configuring DNS-Based SSM Mapping, page 44-21](#) (required)
- [Configuring Static Traffic Forwarding with SSM Mapping, page 44-22](#) (optional)

## Configuring Static SSM Mapping

Beginning in privileged EXEC mode, follow these steps to configure static SSM mapping:

	Command	Purpose
Step 1	<b>configure terminal</b>	Enter global configuration mode.
Step 2	<b>ip igmp ssm-map enable</b>	Enable SSM mapping for groups in the configured SSM range. <b>Note</b> By default, this command enables DNS-based SSM mapping.
Step 3	<b>no ip igmp ssm-map query dns</b>	(Optional) Disable DNS-based SSM mapping. <b>Note</b> Disable DNS-based SSM mapping if you only want to rely on static SSM mapping. By default, the <b>ip igmp ssm-map</b> global configuration command enables DNS-based SSM mapping.
Step 4	<b>ip igmp ssm-map static</b> <i>access-list</i> <i>source-address</i>	Configure static SSM mapping. The ACL supplied for <i>access-list</i> defines the groups to be mapped to the source IP address entered for the <i>source-address</i> . <b>Note</b> You can configure additional static SSM mappings. If additional SSM mappings are configured and the router receives an IGMPv1 or IGMPv2 membership report for a group in the SSM range, the switch determines the source addresses associated with the group by using each configured <b>ip igmp ssm-map static</b> command. The switch associates up to 20 sources per group.
Step 5	Repeat Step 4 to configure additional static SSM mappings, if required.	
Step 6	<b>end</b>	Return to privileged EXEC mode.
Step 7	<b>show running-config</b>	Verify your entries.
Step 8	<b>copy running-config startup-config</b>	(Optional) Save your entries in the configuration file.

Go to this URL to see SSM mapping configuration examples:

[http://www.cisco.com/en/US/docs/ios/12\\_3t/12\\_3t2/feature/guide/gtssmma.html](http://www.cisco.com/en/US/docs/ios/12_3t/12_3t2/feature/guide/gtssmma.html)

## Configuring DNS-Based SSM Mapping

To configure DNS-based SSM mapping, you need to create a DNS server zone or add records to an existing zone. If the routers that are using DNS-based SSM mapping are also using DNS for other purposes, you should use a normally configured DNS server. If DNS-based SSM mapping is the only DNS implementation being used on the router, you can configure a false DNS setup with an empty root zone or a root zone that points back to itself.

Beginning in privileged EXEC mode, follow these steps to configure DNS-based SSM mapping:

	Command	Purpose
Step 1	<b>configure terminal</b>	Enter global configuration mode.
Step 2	<b>ip igmp ssm-map enable</b>	Enable SSM mapping for groups in a configured SSM range.

	Command	Purpose
Step 3	<b>ip igmp ssm-map query dns</b>	(Optional) Enable DNS-based SSM mapping. By default, the <b>ip igmp ssm-map</b> command enables DNS-based SSM mapping. Only the <b>no</b> form of this command is saved to the running configuration. <b>Note</b> Use this command to re-enable DNS-based SSM mapping if DNS-based SSM mapping is disabled.
Step 4	<b>ip domain multicast domain-prefix</b>	(Optional) Change the domain prefix used by the switch for DNS-based SSM mapping. By default, the switch uses the <i>ip-addr.arpa</i> domain prefix.
Step 5	<b>ip name-server server-address1</b> [server-address2... server-address6]	Specify the address of one or more name servers to use for name and address resolution.
Step 6	Repeat Step 5 to configure additional DNS servers for redundancy, if required.	—
Step 7	<b>end</b>	Return to privileged EXEC mode.
Step 8	<b>show running-config</b>	Verify your entries.
Step 9	<b>copy running-config startup-config</b>	(Optional) Save your entries in the configuration file.

### Configuring Static Traffic Forwarding with SSM Mapping

Use static traffic forwarding with SSM mapping to statically forward SSM traffic for certain groups.

Beginning in privileged EXEC mode, follow these steps to configure static traffic forwarding with SSM mapping:

	Command	Purpose
Step 1	<b>configure terminal</b>	Enter global configuration mode.
Step 2	<b>interface type number</b>	Select an interface on which to statically forward traffic for a multicast group using SSM mapping, and enter interface configuration mode. <b>Note</b> Static forwarding of traffic with SSM mapping works with either DNS-based SSM mapping or statically configured SSM mapping.
Step 3	<b>ip igmp static-group group-address</b> <b>source ssm-map</b>	Configure SSM mapping to statically forward a (S, G) channel from the interface. Use this command if you want to statically forward SSM traffic for certain groups. Use DNS-based SSM mapping to determine the source addresses of the channels.
Step 4	<b>show running-config</b>	Verify your entries.
Step 5	<b>copy running-config startup-config</b>	(Optional) Save your entries in the configuration file.

## Monitoring SSM Mapping

Use the privileged EXEC commands in [Table 44-4](#) to monitor SSM mapping.

**Table 44-4 SSM Mapping Monitoring Commands**

Command	Purpose
show ip igmp ssm-mapping	Display information about SSM mapping.
<b>show ip igmp ssm-mapping</b> <i>group-address</i>	Display the sources that SSM mapping uses for a particular group.
<b>show ip igmp groups</b> [ <i>group-name</i>   <i>group-address</i>   <i>interface-type interface-number</i> ] [ <b>detail</b> ]	Display the multicast groups with receivers that are directly connected to the router and that were learned through IGMP.
<b>show host</b>	Display the default domain name, the style of name lookup service, a list of name server hosts, and the cached list of hostnames and addresses.
<b>debug ip igmp</b> <i>group-address</i>	Display the IGMP packets received and sent and IGMP host-related events.

Go to this URL to see SSM mapping monitoring examples:

[http://www.cisco.com/en/US/docs/ios/12\\_3t/12\\_3t2/feature/guide/gtssmma.html](http://www.cisco.com/en/US/docs/ios/12_3t/12_3t2/feature/guide/gtssmma.html)

## Configuring a Rendezvous Point

You must have an RP if the interface is in sparse-dense mode and if you want to treat the group as a sparse group. You can use several methods, as described in these sections:

- [Manually Assigning an RP to Multicast Groups](#), page 44-23
- [Configuring Auto-RP](#), page 44-25 (a standalone, Cisco-proprietary protocol separate from PIMv1)
- [Configuring PIMv2 BSR](#), page 44-29 (a standards track protocol in the Internet Engineering Task Force (IETF))

You can use Auto-RP, BSR, or a combination of both, depending on the PIM version you are running and the types of routers in your network. For more information, see the [“PIMv1 and PIMv2 Interoperability”](#) section on page 44-9 and the [“Auto-RP and BSR Configuration Guidelines”](#) section on page 44-10.

## Manually Assigning an RP to Multicast Groups

This section explains how to manually configure an RP. If the RP for a group is learned through a dynamic mechanism (such as Auto-RP or BSR), you need not perform this task for that RP.

Senders of multicast traffic announce their existence through register messages received from the source's first-hop router (designated router) and forwarded to the RP. Receivers of multicast packets use RPs to join a multicast group by using explicit join messages. RPs are not members of the multicast group; rather, they serve as a *meeting place* for multicast sources and group members.

You can configure a single RP for multiple groups defined by an access list. If there is no RP configured for a group, the multilayer switch treats the group as dense and uses the dense-mode PIM techniques.

Beginning in privileged EXEC mode, follow these steps to manually configure the address of the RP. This procedure is optional.

	Command	Purpose
Step 1	<b>configure terminal</b>	Enter global configuration mode.
Step 2	<b>ip pim rp-address</b> <i>ip-address</i> [ <i>access-list-number</i> ] [ <b>override</b> ]	<p>Configure the address of a PIM RP.</p> <p>By default, no PIM RP address is configured. You must configure the IP address of RPs on all routers and multilayer switches (including the RP). If there is no RP configured for a group, the switch treats the group as dense, using the dense-mode PIM techniques.</p> <p>A PIM device can be an RP for more than one group. Only one RP address can be used at a time within a PIM domain. The access-list conditions specify for which groups the device is an RP.</p> <ul style="list-style-type: none"> <li>For <i>ip-address</i>, enter the unicast address of the RP in dotted-decimal notation.</li> <li>(Optional) For <i>access-list-number</i>, enter an IP standard access list number from 1 to 99. If no access list is configured, the RP is used for all groups.</li> <li>(Optional) The <b>override</b> keyword means that if there is a conflict between the RP configured with this command and one learned by Auto-RP or BSR, the RP configured with this command prevails.</li> </ul>
Step 3	<b>access-list</b> <i>access-list-number</i> { <b>deny</b>   <b>permit</b> } <i>source</i> [ <i>source-wildcard</i> ]	<p>Create a standard access list, repeating the command as many times as necessary.</p> <ul style="list-style-type: none"> <li>For <i>access-list-number</i>, enter the access list number specified in Step 2.</li> <li>The <b>deny</b> keyword denies access if the conditions are matched. The <b>permit</b> keyword permits access if the conditions are matched.</li> <li>For <i>source</i>, enter the multicast group address for which the RP should be used.</li> <li>(Optional) For <i>source-wildcard</i>, enter the wildcard bits in dotted decimal notation to be applied to the source. Place ones in the bit positions that you want to ignore.</li> </ul> <p>Recall that the access list is always terminated by an implicit deny statement for everything.</p>
Step 4	<b>end</b>	Return to privileged EXEC mode.
Step 5	<b>show running-config</b>	Verify your entries.
Step 6	<b>copy running-config startup-config</b>	(Optional) Save your entries in the configuration file.

To remove an RP address, use the **no ip pim rp-address** *ip-address* [*access-list-number*] [**override**] global configuration command.

This example shows how to configure the address of the RP to 147.106.6.22 for multicast group 225.2.2.2 only:

```
Switch(config)# access-list 1 permit 225.2.2.2 0.0.0.0
Switch(config)# ip pim rp-address 147.106.6.22 1
```

## Configuring Auto-RP

Auto-RP uses IP multicast to automate the distribution of group-to-RP mappings to all Cisco routers and multilayer switches in a PIM network. It has these benefits:

- It is easy to use multiple RPs within a network to serve different group ranges.
- It provides load splitting among different RPs and arrangement of RPs according to the location of group participants.
- It avoids inconsistent, manual RP configurations on every router and multilayer switch in a PIM network, which can cause connectivity problems.

**Note**

If you configure PIM in sparse mode or sparse-dense mode and do not configure Auto-RP, you must manually configure an RP as described in the [“Manually Assigning an RP to Multicast Groups”](#) section on page 44-23.

**Note**

If routed interfaces are configured in sparse mode, Auto-RP can still be used if all devices are configured with a manual RP address for the Auto-RP groups.

These sections describe how to configure Auto-RP:

- [Setting up Auto-RP in a New Internetwork](#), page 44-25 (optional)
- [Adding Auto-RP to an Existing Sparse-Mode Cloud](#), page 44-25 (optional)
- [Preventing Join Messages to False RPs](#), page 44-27 (optional)
- [Filtering Incoming RP Announcement Messages](#), page 44-28 (optional)

For overview information, see the [“Auto-RP”](#) section on page 44-6.

### Setting up Auto-RP in a New Internetwork

If you are setting up Auto-RP in a new internetwork, you do not need a default RP because you configure all the interfaces for sparse-dense mode. Follow the process described in the [“Adding Auto-RP to an Existing Sparse-Mode Cloud”](#) section on page 44-25. However, omit Step 3 if you want to configure a PIM router as the RP for the local group.

### Adding Auto-RP to an Existing Sparse-Mode Cloud

This section contains some suggestions for the initial deployment of Auto-RP into an existing sparse-mode cloud to minimize disruption of the existing multicast infrastructure.

Beginning in privileged EXEC mode, follow these steps to deploy Auto-RP in an existing sparse-mode cloud. This procedure is optional.

	Command	Purpose
Step 1	<b>show running-config</b>	<p>Verify that a default RP is already configured on all PIM devices and the RP in the sparse-mode network. It was previously configured with the <b>ip pim rp-address</b> global configuration command.</p> <p>This step is not required for sparse-dense-mode environments.</p> <p>The selected RP should have good connectivity and be available across the network. Use this RP for the global groups (for example 224.x.x.x and other global groups). Do not reconfigure the group address range that this RP serves. RPs dynamically discovered through Auto-RP take precedence over statically configured RPs. Assume that it is desirable to use a second RP for the local groups.</p>
Step 2	<b>configure terminal</b>	Enter global configuration mode.
Step 3	<b>ip pim send-rp-announce</b> <i>interface-id</i> <b>scope</b> <i>ttl</i> <b>group-list</b> <i>access-list-number</i> <b>interval</b> <i>seconds</i>	<p>Configure another PIM device to be the candidate RP for local groups.</p> <ul style="list-style-type: none"> <li>For <i>interface-id</i>, enter the interface type and number that identifies the RP address. Valid interfaces include physical ports, port channels, and VLANs.</li> <li>For <b>scope</b> <i>ttl</i>, specify the time-to-live value in hops. Enter a hop count that is high enough so that the RP-announce messages reach all mapping agents in the network. There is no default setting. The range is 1 to 255.</li> <li>For <b>group-list</b> <i>access-list-number</i>, enter an IP standard access list number from 1 to 99. If no access list is configured, the RP is used for all groups.</li> <li>For <b>interval</b> <i>seconds</i>, specify how often the announcement messages must be sent. The default is 60 seconds. The range is 1 to 16383.</li> </ul>
Step 4	<b>access-list</b> <i>access-list-number</i> { <b>deny</b>   <b>permit</b> } <i>source</i> [ <i>source-wildcard</i> ]	<p>Create a standard access list, repeating the command as many times as necessary.</p> <ul style="list-style-type: none"> <li>For <i>access-list-number</i>, enter the access list number specified in Step 3.</li> <li>The <b>deny</b> keyword denies access if the conditions are matched. The <b>permit</b> keyword permits access if the conditions are matched.</li> <li>For <i>source</i>, enter the multicast group address range for which the RP should be used.</li> <li>(Optional) For <i>source-wildcard</i>, enter the wildcard bits in dotted decimal notation to be applied to the source. Place ones in the bit positions that you want to ignore.</li> </ul> <p>Recall that the access list is always terminated by an implicit deny statement for everything.</p>



	Command	Purpose
Step 5	<b>ip pim send-rp-discovery scope ttl</b>	Find a switch whose connectivity is not likely to be interrupted, and assign it the role of RP-mapping agent.  For <b>scope ttl</b> , specify the time-to-live value in hops to limit the RP discovery packets. All devices within the hop count from the source device receive the Auto-RP discovery messages. These messages tell other devices which group-to-RP mapping to use to avoid conflicts (such as overlapping group-to-RP ranges). There is no default setting. The range is 1 to 255.
Step 6	<b>end</b>	Return to privileged EXEC mode.
Step 7	<b>show running-config</b> <b>show ip pim rp mapping</b> <b>show ip pim rp</b>	Verify your entries.  Display active RPs that are cached with associated multicast routing entries.  Display the information cached in the routing table.
Step 8	<b>copy running-config startup-config</b>	(Optional) Save your entries in the configuration file.

To remove the PIM device configured as the candidate RP, use the **no ip pim send-rp-announce interface-id** global configuration command. To remove the switch as the RP-mapping agent, use the **no ip pim send-rp-discovery** global configuration command.

This example shows how to send RP announcements out all PIM-enabled interfaces for a maximum of 31 hops. The IP address of port 1 is the RP. Access list 5 describes the group for which this switch serves as RP:

```
Switch(config)# ip pim send-rp-announce gigabitethernet0/1 scope 31 group-list 5
Switch(config)# access-list 5 permit 224.0.0.0 15.255.255.255
```

### Preventing Join Messages to False RPs

Find whether the **ip pim accept-rp** command was previously configured throughout the network by using the **show running-config** privileged EXEC command. If the **ip pim accept-rp** command is not configured on any device, this problem can be addressed later. In those routers or multilayer switches already configured with the **ip pim accept-rp** command, you must enter the command again to accept the newly advertised RP.

To accept all RPs advertised with Auto-RP and reject all other RPs by default, use the **ip pim accept-rp auto-rp** global configuration command. This procedure is optional.

If all interfaces are in sparse mode, use a default-configured RP to support the two well-known groups 224.0.1.39 and 224.0.1.40. Auto-RP uses these two well-known groups to collect and distribute RP-mapping information. When this is the case and the **ip pim accept-rp auto-rp** command is configured, another **ip pim accept-rp** command accepting the RP must be configured as follows:

```
Switch(config)# ip pim accept-rp 172.10.20.1 1
Switch(config)# access-list 1 permit 224.0.1.39
Switch(config)# access-list 1 permit 224.0.1.40
```

## Filtering Incoming RP Announcement Messages

You can add configuration commands to the mapping agents to prevent a maliciously configured router from masquerading as a candidate RP and causing problems.

Beginning in privileged EXEC mode, follow these steps to filter incoming RP announcement messages. This procedure is optional.

	Command	Purpose
Step 1	<b>configure terminal</b>	Enter global configuration mode.
Step 2	<b>ip pim rp-announce-filter rp-list access-list-number group-list access-list-number</b>	<p>Filter incoming RP announcement messages.</p> <p>Enter this command on each mapping agent in the network. Without this command, all incoming RP-announce messages are accepted by default.</p> <p>For <b>rp-list access-list-number</b>, configure an access list of candidate RP addresses that, if permitted, is accepted for the group ranges supplied in the <b>group-list access-list-number</b> variable. If this variable is omitted, the filter applies to all multicast groups.</p> <p>If more than one mapping agent is used, the filters must be consistent across all mapping agents to ensure that no conflicts occur in the Group-to-RP mapping information.</p>
Step 3	<b>access-list access-list-number {deny   permit} source [source-wildcard]</b>	<p>Create a standard access list, repeating the command as many times as necessary.</p> <ul style="list-style-type: none"> <li>For <i>access-list-number</i>, enter the access list number specified in Step 2.</li> <li>The <b>deny</b> keyword denies access if the conditions are matched. The <b>permit</b> keyword permits access if the conditions are matched.</li> <li>Create an access list that specifies from which routers and multilayer switches the mapping agent accepts candidate RP announcements (rp-list ACL).</li> <li>Create an access list that specifies the range of multicast groups from which to accept or deny (group-list ACL).</li> <li>For <i>source</i>, enter the multicast group address range for which the RP should be used.</li> <li>(Optional) For <i>source-wildcard</i>, enter the wildcard bits in dotted decimal notation to be applied to the source. Place ones in the bit positions that you want to ignore.</li> </ul> <p>Recall that the access list is always terminated by an implicit deny statement for everything.</p>
Step 4	<b>end</b>	Return to privileged EXEC mode.
Step 5	<b>show running-config</b>	Verify your entries.
Step 6	<b>copy running-config startup-config</b>	(Optional) Save your entries in the configuration file.

To remove a filter on incoming RP announcement messages, use the **no ip pim rp-announce-filter rp-list access-list-number [group-list access-list-number]** global configuration command.

This example shows a sample configuration on an Auto-RP mapping agent that is used to prevent candidate RP announcements from being accepted from unauthorized candidate RPs:

```
Switch(config)# ip pim rp-announce-filter rp-list 10 group-list 20
Switch(config)# access-list 10 permit host 172.16.5.1
Switch(config)# access-list 10 permit host 172.16.2.1
Switch(config)# access-list 20 deny 239.0.0.0 0.0.255.255
Switch(config)# access-list 20 permit 224.0.0.0 15.255.255.255
```

In this example, the mapping agent accepts candidate RP announcements from only two devices, 172.16.5.1 and 172.16.2.1. The mapping agent accepts candidate RP announcements from these two devices only for multicast groups that fall in the group range of 224.0.0.0 to 239.255.255.255. The mapping agent does not accept candidate RP announcements from any other devices in the network. Furthermore, the mapping agent does not accept candidate RP announcements from 172.16.5.1 or 172.16.2.1 if the announcements are for any groups in the 239.0.0.0 through 239.255.255.255 range. This range is the administratively scoped address range.

## Configuring PIMv2 BSR

These sections describe how to set up BSR in your PIMv2 network:

- [Defining the PIM Domain Border, page 44-29](#) (optional)
- [Defining the IP Multicast Boundary, page 44-30](#) (optional)
- [Configuring Candidate BSRs, page 44-31](#) (optional)
- [Configuring Candidate RPs, page 44-32](#) (optional)

For overview information, see the “[Bootstrap Router](#)” section on page 44-6.

### Defining the PIM Domain Border

As IP multicast becomes more widespread, the chance of one PIMv2 domain bordering another PIMv2 domain is increasing. Because these two domains probably do not share the same set of RPs, BSR, candidate RPs, and candidate BSRs, you need to constrain PIMv2 BSR messages from flowing into or out of the domain. Allowing these messages to leak across the domain borders could adversely affect the normal BSR election mechanism and elect a single BSR across all bordering domains and co-mingle candidate RP advertisements, resulting in the election of RPs in the wrong domain.

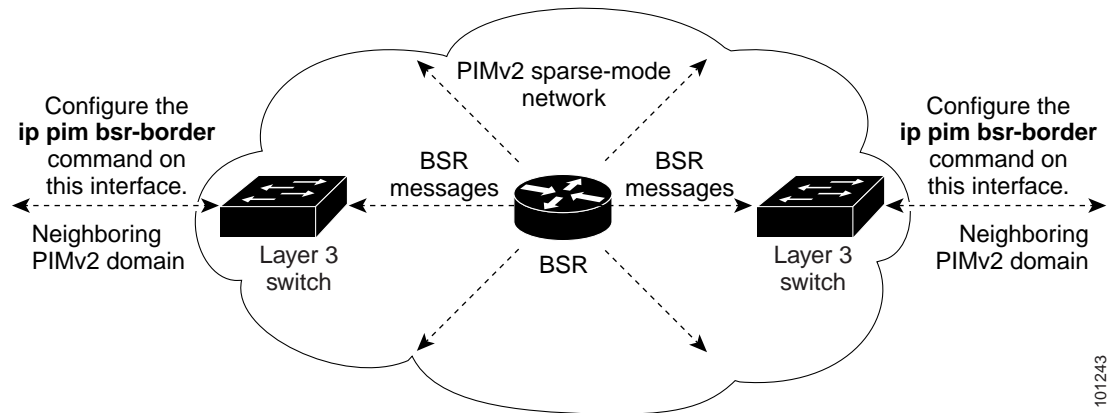
Beginning in privileged EXEC mode, follow these steps to define the PIM domain border. This procedure is optional.

	Command	Purpose
Step 1	<b>configure terminal</b>	Enter global configuration mode.
Step 2	<b>interface</b> <i>interface-id</i>	Specify the interface to be configured, and enter interface configuration mode.
Step 3	<b>no shutdown</b>	Enable the port, if necessary. By default, UNIs and ENIs are disabled, and NNIs are enabled.
Step 4	<b>ip pim bsr-border</b>	Define a PIM bootstrap message boundary for the PIM domain. Enter this command on each interface that connects to other bordering PIM domains. This command instructs the switch to neither send or receive PIMv2 BSR messages on this interface as shown in <a href="#">Figure 44-4</a> .
Step 5	<b>end</b>	Return to privileged EXEC mode.

	Command	Purpose
Step 6	<b>show running-config</b>	Verify your entries.
Step 7	<b>copy running-config startup-config</b>	(Optional) Save your entries in the configuration file.

To remove the PIM border, use the **no ip pim bsr-border** interface configuration command.

Figure 44-4 Constraining PIMv2 BSR Messages



101243

## Defining the IP Multicast Boundary

You define a multicast boundary to prevent Auto-RP messages from entering the PIM domain. You create an access list to deny packets destined for 224.0.1.39 and 224.0.1.40, which carry Auto-RP information.

Beginning in privileged EXEC mode, follow these steps to define a multicast boundary. This procedure is optional.

	Command	Purpose
Step 1	<b>configure terminal</b>	Enter global configuration mode.
Step 2	<b>access-list <i>access-list-number</i> deny source [source-wildcard]</b>	Create a standard access list, repeating the command as many times as necessary. <ul style="list-style-type: none"> <li>For <i>access-list-number</i>, the range is 1 to 99.</li> <li>The <b>deny</b> keyword denies access if the conditions are matched.</li> <li>For <i>source</i>, enter multicast addresses 224.0.1.39 and 224.0.1.40, which carry Auto-RP information.</li> <li>(Optional) For <i>source-wildcard</i>, enter the wildcard bits in dotted decimal notation to be applied to the source. Place ones in the bit positions that you want to ignore.</li> </ul> Recall that the access list is always terminated by an implicit deny statement for everything.
Step 3	<b>interface <i>interface-id</i></b>	Specify the interface to be configured, and enter interface configuration mode.
Step 4	<b>no shutdown</b>	Enable the port, if necessary. By default, UNIs and ENIs are disabled, and NNIs are enabled.

	Command	Purpose
Step 5	<b>ip multicast boundary</b> <i>access-list-number</i>	Configure the boundary, specifying the access list you created in Step 2.
Step 6	<b>end</b>	Return to privileged EXEC mode.
Step 7	<b>show running-config</b>	Verify your entries.
Step 8	<b>copy running-config startup-config</b>	(Optional) Save your entries in the configuration file.

To remove the boundary, use the **no ip multicast boundary** interface configuration command.

This example shows a portion of an IP multicast boundary configuration that denies Auto-RP information:

```
Switch(config)# access-list 1 deny 224.0.1.39
Switch(config)# access-list 1 deny 224.0.1.40
Switch(config)# interface gigabitethernet0/1
Switch(config-if)# ip multicast boundary 1
```

### Configuring Candidate BSRs

You can configure one or more candidate BSRs. The devices serving as candidate BSRs should have good connectivity to other devices and be in the backbone portion of the network.

Beginning in privileged EXEC mode, follow these steps to configure your switch as a candidate BSR. This procedure is optional.

	Command	Purpose
Step 1	<b>configure terminal</b>	Enter global configuration mode.
Step 2	<b>ip pim bsr-candidate</b> <i>interface-id</i> <i>hash-mask-length</i> [ <i>priority</i> ]	Configure your switch to be a candidate BSR. <ul style="list-style-type: none"> <li>For <i>interface-id</i>, enter the interface on this switch from which the BSR address is derived to make it a candidate. This interface must be enabled with PIM. Valid interfaces include physical ports, port channels, and VLANs.</li> <li>For <i>hash-mask-length</i>, specify the mask length (32 bits maximum) that is to be ANDed with the group address before the hash function is called. All groups with the same seed hash correspond to the same RP. For example, if this value is 24, only the first 24 bits of the group addresses matter.</li> <li>(Optional) For <i>priority</i>, enter a number from 0 to 255. The BSR with the larger priority is preferred. If the priority values are the same, the device with the highest IP address is selected as the BSR. The default is 0.</li> </ul>
Step 3	<b>end</b>	Return to privileged EXEC mode.
Step 4	<b>show running-config</b>	Verify your entries.
Step 5	<b>copy running-config startup-config</b>	(Optional) Save your entries in the configuration file.

To remove this device as a candidate BSR, use the **no ip pim bsr-candidate** global configuration command.

This example shows how to configure a candidate BSR, which uses the IP address 172.21.24.18 on a port as the advertised BSR address, uses 30 bits as the hash-mask-length, and has a priority of 10.

```
Switch(config)# interface gigabitethernet0/2
Switch(config-if)# ip address 172.21.24.18 255.255.255.0
Switch(config-if)# ip pim sparse-dense-mode
Switch(config-if)# ip pim bsr-candidate gigabitethernet0/2 30 10
```

## Configuring Candidate RPs

You can configure one or more candidate RPs. Similar to BSRs, the RPs should also have good connectivity to other devices and be in the backbone portion of the network. An RP can serve the entire IP multicast address space or a portion of it. Candidate RPs send candidate RP advertisements to the BSR. When deciding which devices should be RPs, consider these options:

- In a network of Cisco routers and multilayer switches where only Auto-RP is used, any device can be configured as an RP.
- In a network that includes only Cisco PIMv2 routers and multilayer switches and with routers from other vendors, any device can be used as an RP.
- In a network of Cisco PIMv1 routers, Cisco PIMv2 routers, and routers from other vendors, configure only Cisco PIMv2 routers and multilayer switches as RPs.

Beginning in privileged EXEC mode, follow these steps to configure your switch to advertise itself as a PIMv2 candidate RP to the BSR. This procedure is optional.

	Command	Purpose
Step 1	<b>configure terminal</b>	Enter global configuration mode.
Step 2	<b>ip pim rp-candidate</b> <i>interface-id</i> [ <b>group-list</b> <i>access-list-number</i> ]	Configure your switch to be a candidate RP. <ul style="list-style-type: none"> <li>• For <i>interface-id</i>, specify the interface whose associated IP address is advertised as a candidate RP address. Valid interfaces include physical ports, port channels, and VLANs.</li> <li>• (Optional) For <b>group-list</b> <i>access-list-number</i>, enter an IP standard access list number from 1 to 99. If no group-list is specified, the switch is a candidate RP for all groups.</li> </ul>
Step 3	<b>access-list</b> <i>access-list-number</i> { <b>deny</b>   <b>permit</b> } <i>source</i> [ <i>source-wildcard</i> ]	Create a standard access list, repeating the command as many times as necessary. <ul style="list-style-type: none"> <li>• For <i>access-list-number</i>, enter the access list number specified in Step 2.</li> <li>• The <b>deny</b> keyword denies access if the conditions are matched. The <b>permit</b> keyword permits access if the conditions are matched.</li> <li>• For <i>source</i>, enter the number of the network or host from which the packet is being sent.</li> <li>• (Optional) For <i>source-wildcard</i>, enter the wildcard bits in dotted decimal notation to be applied to the source. Place ones in the bit positions that you want to ignore.</li> </ul> Recall that the access list is always terminated by an implicit deny statement for everything.
Step 4	<b>end</b>	Return to privileged EXEC mode.

	Command	Purpose
Step 5	<b>show running-config</b>	Verify your entries.
Step 6	<b>copy running-config startup-config</b>	(Optional) Save your entries in the configuration file.

To remove this device as a candidate RP, use the **no ip pim rp-candidate** *interface-id* global configuration command.

This example shows how to configure the switch to advertise itself as a candidate RP to the BSR in its PIM domain. Standard access list number 4 specifies the group prefix associated with the RP that has the address identified by a port. That RP is responsible for the groups with the prefix 239.

```
Switch(config)# ip pim rp-candidate gigabitethernet0/2 group-list 4
Switch(config)# access-list 4 permit 239.0.0.0 0.255.255.255
```

## Using Auto-RP and a BSR

If there are only Cisco devices in your network (no routers from other vendors), there is no need to configure a BSR. Configure Auto-RP in a network that is running both PIMv1 and PIMv2.

If you have non-Cisco PIMv2 routers that need to interoperate with Cisco PIMv1 routers and multilayer switches, both Auto-RP and a BSR are required. We recommend that a Cisco PIMv2 router or multilayer switch be both the Auto-RP mapping agent and the BSR.

If you must have one or more BSRs, we have these recommendations:

- Configure the candidate BSRs as the RP-mapping agents for Auto-RP. For more information, see the [“Configuring Auto-RP”](#) section on page 44-25 and the [“Configuring Candidate BSRs”](#) section on page 44-31.
- For group prefixes advertised through Auto-RP, the PIMv2 BSR mechanism should not advertise a subrange of these group prefixes served by a different set of RPs. In a mixed PIMv1 and PIMv2 domain, have backup RPs serve the same group prefixes. This prevents the PIMv2 DRs from selecting a different RP from those PIMv1 DRs, due to the longest match lookup in the RP-mapping database.

Beginning in privileged EXEC mode, follow these steps to verify the consistency of group-to-RP mappings. This procedure is optional.

	Command	Purpose
Step 1	<b>show ip pim rp</b> [[ <i>group-name</i>   <i>group-address</i> ]   <b>mapping</b> ]	On any Cisco device, display the available RP mappings. <ul style="list-style-type: none"> <li>• (Optional) For <i>group-name</i>, specify the name of the group about which to display RPs.</li> <li>• (Optional) For <i>group-address</i>, specify the address of the group about which to display RPs.</li> <li>• (Optional) Use the <b>mapping</b> keyword to display all group-to-RP mappings of which the Cisco device is aware (either configured or learned from Auto-RP).</li> </ul>
Step 2	<b>show ip pim rp-hash</b> <i>group</i>	On a PIMv2 router or multilayer switch, confirm that the same RP is the one that a PIMv1 system chooses.  For <i>group</i> , enter the group address for which to display RP information.

## Monitoring the RP Mapping Information

To monitor the RP mapping information, use these commands in privileged EXEC mode:

- **show ip pim bsr** displays information about the elected BSR.
- **show ip pim rp-hash** *group* displays the RP that was selected for the specified group.
- **show ip pim rp** [*group-name* | *group-address* | **mapping**] displays how the switch learns of the RP (through the BSR or the Auto-RP mechanism).

## Troubleshooting PIMv1 and PIMv2 Interoperability Problems

When debugging interoperability problems between PIMv1 and PIMv2, check these in the order shown:

1. Verify RP mapping with the **show ip pim rp-hash** privileged EXEC command, making sure that all systems agree on the same RP for the same group.
2. Verify interoperability between different versions of DRs and RPs. Make sure the RPs are interacting with the DRs properly (by responding with register-stops and forwarding decapsulated data packets from registers).

## Configuring Advanced PIM Features

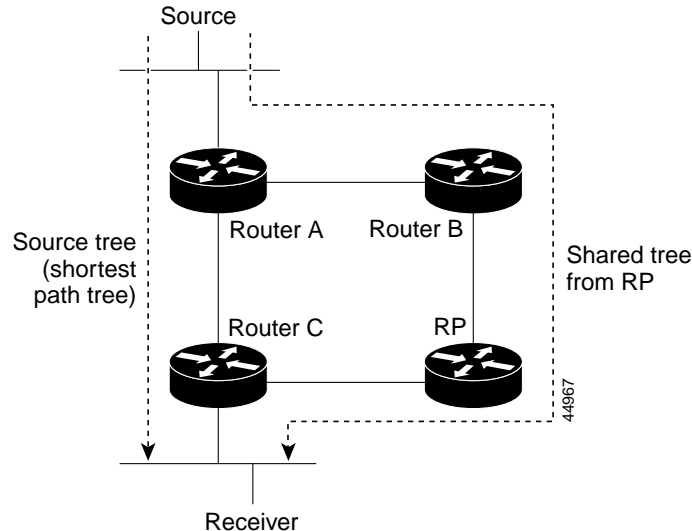
- [Understanding PIM Shared Tree and Source Tree, page 44-34](#)
- [Delaying the Use of PIM Shortest-Path Tree, page 44-36](#) (optional)
- [Modifying the PIM Router-Query Message Interval, page 44-37](#) (optional)

## Understanding PIM Shared Tree and Source Tree

By default, members of a group receive data from senders to the group across a single data-distribution tree rooted at the RP. [Figure 44-5](#) shows this type of shared-distribution tree. Data from senders is delivered to the RP for distribution to group members joined to the shared tree.



Figure 44-5 Shared Tree and Source Tree (Shortest-Path Tree)



If the data rate warrants, leaf routers (routers without any downstream connections) on the shared tree can use the data distribution tree rooted at the source. This type of distribution tree is called a shortest-path tree or source tree. By default, the software switches to a source tree upon receiving the first data packet from a source.

This process describes the move from a shared tree to a source tree:

1. A receiver joins a group; leaf Router C sends a join message toward the RP.
2. The RP puts a link to Router C in its outgoing interface list.
3. A source sends data; Router A encapsulates the data in a register message and sends it to the RP.
4. The RP forwards the data down the shared tree to Router C and sends a join message toward the source. At this point, data might arrive twice at Router C, once encapsulated and once natively.
5. When data arrives natively (unencapsulated) at the RP, it sends a register-stop message to Router A.
6. By default, reception of the first data packet prompts Router C to send a join message toward the source.
7. When Router C receives data on (S,G), it sends a prune message for the source up the shared tree.
8. The RP deletes the link to Router C from the outgoing interface of (S,G). The RP triggers a prune message toward the source.

Join and prune messages are sent for sources and RPs. They are sent hop-by-hop and are processed by each PIM device along the path to the source or RP. Register and register-stop messages are not sent hop-by-hop. They are sent by the designated router that is directly connected to a source and are received by the RP for the group.

Multiple sources sending to groups use the shared tree.

You can configure the PIM device to stay on the shared tree. For more information, see the [“Delaying the Use of PIM Shortest-Path Tree”](#) section on page 44-36.

## Delaying the Use of PIM Shortest-Path Tree

The change from shared to source tree happens when the first data packet arrives at the last-hop router (Router C in Figure 44-5). This change occurs because the **ip pim spt-threshold** global configuration command controls that timing.

The shortest-path tree requires more memory than the shared tree but reduces delay. You might want to postpone its use. Instead of allowing the leaf router to immediately move to the shortest-path tree, you can specify that the traffic must first reach a threshold.

You can configure when a PIM leaf router should join the shortest-path tree for a specified group. If a source sends at a rate greater than or equal to the specified kbps rate, the multilayer switch triggers a PIM join message toward the source to construct a source tree (shortest-path tree). If the traffic rate from the source drops below the threshold value, the leaf router switches back to the shared tree and sends a prune message toward the source.

You can specify to which groups the shortest-path tree threshold applies by using a group list (a standard access list). If a value of 0 is specified or if the group list is not used, the threshold applies to all groups.

Beginning in privileged EXEC mode, follow these steps to configure a traffic rate threshold that must be reached before multicast routing is switched from the source tree to the shortest-path tree. This procedure is optional.

	Command	Purpose
Step 1	<b>configure terminal</b>	Enter global configuration mode.
Step 2	<b>access-list</b> <i>access-list-number</i> { <b>deny</b>   <b>permit</b> } <i>source</i> [ <i>source-wildcard</i> ]	<p>Create a standard access list.</p> <ul style="list-style-type: none"> <li>For <i>access-list-number</i>, the range is 1 to 99.</li> <li>The <b>deny</b> keyword denies access if the conditions are matched. The <b>permit</b> keyword permits access if the conditions are matched.</li> <li>For <i>source</i>, specify the multicast group to which the threshold will apply.</li> <li>(Optional) For <i>source-wildcard</i>, enter the wildcard bits in dotted decimal notation to be applied to the source. Place ones in the bit positions that you want to ignore.</li> </ul> <p>Recall that the access list is always terminated by an implicit deny statement for everything.</p>
Step 3	<b>ip pim spt-threshold</b> { <i>kbps</i>   <b>infinity</b> } [ <b>group-list</b> <i>access-list-number</i> ]	<p>Specify the threshold that must be reached before moving to shortest-path tree (spt).</p> <ul style="list-style-type: none"> <li>For <i>kbps</i>, specify the traffic rate in kilobits per second. The default is 0 kbps.</li> </ul> <p><b>Note</b> Because of switch hardware limitations, 0 kbps is the only valid entry even though the range is 0 to 4294967.</p> <ul style="list-style-type: none"> <li>Specify <b>infinity</b> if you want all sources for the specified group to use the shared tree, never switching to the source tree.</li> <li>(Optional) For <b>group-list</b> <i>access-list-number</i>, specify the access list created in Step 2. If the value is 0 or if the group-list is not used, the threshold applies to all groups.</li> </ul>

	Command	Purpose
Step 4	<b>end</b>	Return to privileged EXEC mode.
Step 5	<b>show running-config</b>	Verify your entries.
Step 6	<b>copy running-config startup-config</b>	(Optional) Save your entries in the configuration file.

To return to the default setting, use the **no ip pim spt-threshold** {*kbits* | **infinity**} global configuration command.

## Modifying the PIM Router-Query Message Interval

PIM routers and multilayer switches send PIM router-query messages to find which device will be the DR for each LAN segment (subnet). The DR is responsible for sending IGMP host-query messages to all hosts on the directly connected LAN.

With PIM DM operation, the DR has meaning only if IGMPv1 is in use. IGMPv1 does not have an IGMP querier election process, so the elected DR functions as the IGMP querier. With PIM SM operation, the DR is the device that is directly connected to the multicast source. It sends PIM register messages to notify the RP that multicast traffic from a source needs to be forwarded down the shared tree. In this case, the DR is the device with the highest IP address.

Beginning in privileged EXEC mode, follow these steps to modify the router-query message interval. This procedure is optional.

	Command	Purpose
Step 1	<b>configure terminal</b>	Enter global configuration mode.
Step 2	<b>interface</b> <i>interface-id</i>	Specify the interface to be configured, and enter interface configuration mode.
Step 3	<b>no shutdown</b>	Enable the port, if necessary. By default, UNIs and ENIs are disabled, and NNIs are enabled.
Step 4	<b>ip pim query-interval</b> <i>seconds</i>	Configure the frequency at which the switch sends PIM router-query messages.  The default is 30 seconds. The range is 1 to 65535.
Step 5	<b>end</b>	Return to privileged EXEC mode.
Step 6	<b>show ip igmp interface</b> [ <i>interface-id</i> ]	Verify your entries.
Step 7	<b>copy running-config startup-config</b>	(Optional) Save your entries in the configuration file.

To return to the default setting, use the **no ip pim query-interval** [*seconds*] interface configuration command.

## Configuring Optional IGMP Features

- [Default IGMP Configuration, page 44-38](#)
- [Configuring the Switch as a Member of a Group, page 44-38](#) (optional)
- [Controlling Access to IP Multicast Groups, page 44-39](#) (optional)

- [Changing the IGMP Version, page 44-40](#) (optional)
- [Modifying the IGMP Host-Query Message Interval, page 44-41](#) (optional)
- [Changing the IGMP Query Timeout for IGMPv2, page 44-42](#) (optional)
- [Changing the Maximum Query Response Time for IGMPv2, page 44-42](#) (optional)
- [Configuring the Switch as a Statically Connected Member, page 44-43](#) (optional)

## Default IGMP Configuration

Table 44-5 shows the default IGMP configuration.

**Table 44-5** Default IGMP Configuration

Feature	Default Setting
Multilayer switch as a member of a multicast group	No group memberships are defined.
Access to multicast groups	All groups are allowed on an interface.
IGMP version	Version 2 on all interfaces.
IGMP host-query message interval	60 seconds on all interfaces.
IGMP query timeout	60 seconds on all interfaces.
IGMP maximum query response time	10 seconds on all interfaces.
Multilayer switch as a statically connected member	Disabled.

## Configuring the Switch as a Member of a Group

You can configure the switch as a member of a multicast group and discover multicast reachability in a network. If all the multicast-capable routers and multilayer switches that you administer are members of a multicast group, pinging that group causes all these devices to respond. The devices respond to IGMP echo-request packets addressed to a group of which they are members. Another example is the multicast trace-route tools provided in the software.



### Caution

Performing this procedure might impact the CPU performance because the CPU will receive all data traffic for the group address.

Beginning in privileged EXEC mode, follow these steps to configure the switch to be a member of a group. This procedure is optional.

	Command	Purpose
Step 1	<b>configure terminal</b>	Enter global configuration mode.
Step 2	<b>interface</b> <i>interface-id</i>	Specify the interface to be configured, and enter interface configuration mode.
Step 3	<b>no shutdown</b>	Enable the port, if necessary. By default, UNIs and ENIs are disabled, and NNIs are enabled.

	Command	Purpose
Step 4	<b>ip igmp join-group</b> <i>group-address</i>	Configure the switch to join a multicast group. By default, no group memberships are defined. For <i>group-address</i> , specify the multicast IP address in dotted decimal notation.
Step 5	<b>end</b>	Return to privileged EXEC mode.
Step 6	<b>show ip igmp interface</b> [ <i>interface-id</i> ]	Verify your entries.
Step 7	<b>copy running-config startup-config</b>	(Optional) Save your entries in the configuration file.

To cancel membership in a group, use the **no ip igmp join-group** *group-address* interface configuration command.

This example shows how to enable the switch to join multicast group 255.2.2.2:

```
Switch(config)# interface gigabitethernet0/1
Switch(config-if)# ip igmp join-group 255.2.2.2
```

## Controlling Access to IP Multicast Groups

The switch sends IGMP host-query messages to find which multicast groups have members on attached local networks. The switch then forwards to these group members all packets addressed to the multicast group. You can place a filter on each interface to restrict the multicast groups that hosts on the subnet serviced by the interface can join.

Beginning in privileged EXEC mode, follow these steps to filter multicast groups allowed on an interface. This procedure is optional.

	Command	Purpose
Step 1	<b>configure terminal</b>	Enter global configuration mode.
Step 2	<b>interface</b> <i>interface-id</i>	Specify the interface to be configured, and enter interface configuration mode.
Step 3	<b>no shutdown</b>	Enable the port, if necessary. By default, UNIs and ENIs are disabled, and NNIs are enabled.
Step 4	<b>ip igmp access-group</b> <i>access-list-number</i>	Specify the multicast groups that hosts on the subnet serviced by an interface can join. By default, all groups are allowed on an interface. For <i>access-list-number</i> , specify an IP standard access list number. The range is 1 to 99.
Step 5	<b>exit</b>	Return to global configuration mode.

	Command	Purpose
Step 6	<b>access-list</b> <i>access-list-number</i> { <b>deny</b>   <b>permit</b> } <i>source</i> [ <i>source-wildcard</i> ]	Create a standard access list. <ul style="list-style-type: none"> <li>For <i>access-list-number</i>, specify the access list created in Step 3.</li> <li>The <b>deny</b> keyword denies access if the conditions are matched. The <b>permit</b> keyword permits access if the conditions are matched.</li> <li>For <i>source</i>, specify the multicast group that hosts on the subnet can join.</li> <li>(Optional) For <i>source-wildcard</i>, enter the wildcard bits in dotted decimal notation to be applied to the source. Place ones in the bit positions that you want to ignore.</li> </ul> Recall that the access list is always terminated by an implicit deny statement for everything.
Step 7	<b>end</b>	Return to privileged EXEC mode.
Step 8	<b>show ip igmp interface</b> [ <i>interface-id</i> ]	Verify your entries.
Step 9	<b>copy running-config startup-config</b>	(Optional) Save your entries in the configuration file.

To disable groups on an interface, use the **no ip igmp access-group** interface configuration command.

This example shows how to configure hosts attached to a port as able to join only group 255.2.2.2:

```
Switch(config)# access-list 1 255.2.2.2 0.0.0.0
Switch(config-if)# interface gigabitethernet0/1
Switch(config-if)# ip igmp access-group 1
```

## Changing the IGMP Version

By default, the switch uses IGMP Version 2, which provides features such as the IGMP query timeout and the maximum query response time.

All systems on the subnet must support the same version. The switch does not automatically detect Version 1 systems and switch to Version 1. You can mix Version 1 and Version 2 hosts on the subnet because Version 2 routers or switches always work correctly with IGMPv1 hosts.

Configure the switch for Version 1 if your hosts do not support Version 2.

Beginning in privileged EXEC mode, follow these steps to change the IGMP version. This procedure is optional.

	Command	Purpose
Step 1	<b>configure terminal</b>	Enter global configuration mode.
Step 2	<b>interface</b> <i>interface-id</i>	Specify the interface to be configured, and enter interface configuration mode.
Step 3	<b>no shutdown</b>	Enable the port, if necessary. By default, UNIs and ENIs are disabled, and NNIs are enabled.

	Command	Purpose
Step 4	<b>ip igmp version</b> {1   2}	Specify the IGMP version that the switch uses.  <b>Note</b> If you change to Version 1, you cannot configure the <b>ip igmp query-interval</b> or the <b>ip igmp query-max-response-time</b> interface configuration commands.
Step 5	<b>end</b>	Return to privileged EXEC mode.
Step 6	<b>show ip igmp interface</b> [ <i>interface-id</i> ]	Verify your entries.
Step 7	<b>copy running-config startup-config</b>	(Optional) Save your entries in the configuration file.

To return to the default setting, use the **no ip igmp version** interface configuration command.

## Modifying the IGMP Host-Query Message Interval

The switch periodically sends IGMP host-query messages to discover which multicast groups are present on attached networks. These messages are sent to the all-hosts multicast group (224.0.0.1) with a time-to-live (TTL) of 1. The switch sends host-query messages to refresh its knowledge of memberships present on the network. If, after some number of queries, the software discovers that no local hosts are members of a multicast group, the software stops forwarding multicast packets to the local network from remote origins for that group and sends a prune message upstream toward the source.

The switch elects a PIM designated router (DR) for the LAN (subnet). The DR is the router or multilayer switch with the highest IP address for IGMPv2. For IGMPv1, the DR is elected according to the multicast routing protocol that runs on the LAN. The designated router is responsible for sending IGMP host-query messages to all hosts on the LAN. In sparse mode, the designated router also sends PIM register and PIM join messages toward the RP router.

Beginning in privileged EXEC mode, follow these steps to modify the host-query interval. This procedure is optional.

	Command	Purpose
Step 1	<b>configure terminal</b>	Enter global configuration mode.
Step 2	<b>interface</b> <i>interface-id</i>	Specify the interface to be configured, and enter interface configuration mode.
Step 3	<b>no shutdown</b>	Enable the port, if necessary. By default, UNIs and ENIs are disabled, and NNIs are enabled.
Step 4	<b>ip igmp query-interval</b> <i>seconds</i>	Configure the frequency at which the designated router sends IGMP host-query messages.  By default, the designated router sends IGMP host-query messages every 60 seconds to keep the IGMP overhead very low on hosts and networks. The range is 1 to 65535.
Step 5	<b>end</b>	Return to privileged EXEC mode.
Step 6	<b>show ip igmp interface</b> [ <i>interface-id</i> ]	Verify your entries.
Step 7	<b>copy running-config startup-config</b>	(Optional) Save your entries in the configuration file.

To return to the default setting, use the **no ip igmp query-interval** interface configuration command.

## Changing the IGMP Query Timeout for IGMPv2

If you are using IGMPv2, you can specify the period of time before the switch takes over as the querier for the interface. By default, the switch waits twice the query interval controlled by the **ip igmp query-interval** interface configuration command. After that time, if the switch has received no queries, it becomes the querier.

You can configure the query interval by entering the **show ip igmp interface interface-id** privileged EXEC command.

Beginning in privileged EXEC mode, follow these steps to change the IGMP query timeout. This procedure is optional.

	Command	Purpose
Step 1	<b>configure terminal</b>	Enter global configuration mode.
Step 2	<b>interface interface-id</b>	Specify the interface to be configured, and enter interface configuration mode.
Step 3	<b>no shutdown</b>	Enable the port, if necessary. By default, UNIs and ENIs are disabled, and NNIs are enabled.
Step 4	<b>ip igmp querier-timeout seconds</b>	Specify the IGMP query timeout. The default is 60 seconds (twice the query interval). The range is 60 to 300.
Step 5	<b>end</b>	Return to privileged EXEC mode.
Step 6	<b>show ip igmp interface [interface-id]</b>	Verify your entries.
Step 7	<b>copy running-config startup-config</b>	(Optional) Save your entries in the configuration file.

To return to the default setting, use the **no ip igmp querier-timeout** interface configuration command.

## Changing the Maximum Query Response Time for IGMPv2

If you are using IGMPv2, you can change the maximum query response time advertised in IGMP queries. The maximum query response time enables the switch to quickly detect that there are no more directly connected group members on a LAN. Decreasing the value enables the switch to prune groups faster.

Beginning in privileged EXEC mode, follow these steps to change the maximum query response time. This procedure is optional.

	Command	Purpose
Step 1	<b>configure terminal</b>	Enter global configuration mode.
Step 2	<b>interface interface-id</b>	Specify the interface to be configured, and enter interface configuration mode.
Step 3	<b>no shutdown</b>	Enable the port, if necessary. By default, UNIs and ENIs are disabled, and NNIs are enabled.
Step 4	<b>ip igmp query-max-response-time seconds</b>	Change the maximum query response time advertised in IGMP queries. The default is 10 seconds. The range is 1 to 25.



	Command	Purpose
Step 5	<b>end</b>	Return to privileged EXEC mode.
Step 6	<b>show ip igmp interface</b> [ <i>interface-id</i> ]	Verify your entries.
Step 7	<b>copy running-config startup-config</b>	(Optional) Save your entries in the configuration file.

To return to the default setting, use the **no ip igmp query-max-response-time** interface configuration command.

## Configuring the Switch as a Statically Connected Member

Sometimes there is either no group member on a network segment or a host cannot report its group membership by using IGMP. However, you might want multicast traffic to go to that network segment. These are ways to pull multicast traffic down to a network segment:

- Use the **ip igmp join-group** interface configuration command. With this method, the switch accepts the multicast packets in addition to forwarding them. Accepting the multicast packets prevents the switch from fast switching.
- Use the **ip igmp static-group** interface configuration command. With this method, the switch does not accept the packets itself, but only forwards them. This method enables fast switching. The outgoing interface appears in the IGMP cache, but the switch itself is not a member, as evidenced by lack of an *L* (local) flag in the multicast route entry.

Beginning in privileged EXEC mode, follow these steps to configure the switch itself to be a statically connected member of a group (and enable fast switching). This procedure is optional.

	Command	Purpose
Step 1	<b>configure terminal</b>	Enter global configuration mode.
Step 2	<b>interface</b> <i>interface-id</i>	Specify the interface to be configured, and enter interface configuration mode.
Step 3	<b>no shutdown</b>	Enable the port, if necessary. By default, UNIs and ENIs are disabled, and NNIs are enabled.
Step 4	<b>ip igmp static-group</b> <i>group-address</i>	Configure the switch as a statically connected member of a group. By default, this feature is disabled.
Step 5	<b>end</b>	Return to privileged EXEC mode.
Step 6	<b>show ip igmp interface</b> [ <i>interface-id</i> ]	Verify your entries.
Step 7	<b>copy running-config startup-config</b>	(Optional) Save your entries in the configuration file.

To remove the switch as a member of the group, use the **no ip igmp static-group** *group-address* interface configuration command.

# Configuring Optional Multicast Routing Features

- [Configuring sdr Listener Support, page 44-44](#) (optional)—for MBONE multimedia conference session and set up
- [Configuring an IP Multicast Boundary, page 44-45](#) (optional)—to control bandwidth utilization.

## Configuring sdr Listener Support

The MBONE is the small subset of Internet routers and hosts that are interconnected and capable of forwarding IP multicast traffic. Other multimedia content is often broadcast over the MBONE. Before you can join a multimedia session, you need to know what multicast group address and port are being used for the session, when the session is going to be active, and what sort of applications (audio, video, and so forth) are required on your workstation. The MBONE Session Directory Version 2 (sdr) tool provides this information. This freeware application can be downloaded from several sites on the World Wide Web, one of which is <http://www.video.ja.net/mice/index.html>.

SDR is a multicast application that listens to a well-known multicast group address and port for Session Announcement Protocol (SAP) multicast packets from SAP clients, which announce their conference sessions. These SAP packets contain a session description, the time the session is active, its IP multicast group addresses, media format, contact person, and other information about the advertised multimedia session. The information in the SAP packet is displayed in the SDR Session Announcement window.

## Enabling sdr Listener Support

By default, the switch does not listen to session directory advertisements.

Beginning in privileged EXEC mode, follow these steps to enable the switch to join the default session directory group (224.2.127.254) on the interface and listen to session directory advertisements. This procedure is optional.

	Command	Purpose
Step 1	<b>configure terminal</b>	Enter global configuration mode.
Step 2	<b>interface</b> <i>interface-id</i>	Specify the interface to be enabled for sdr, and enter interface configuration mode.
Step 3	<b>no shutdown</b>	Enable the port, if necessary. By default, UNIs and ENIs are disabled, and NNIs are enabled.
Step 4	<b>ip sdr listen</b>	Enable sdr listener support.
Step 5	<b>end</b>	Return to privileged EXEC mode.
Step 6	<b>show running-config</b>	Verify your entries.
Step 7	<b>copy running-config startup-config</b>	(Optional) Save your entries in the configuration file.

To disable sdr support, use the **no ip sdr listen** interface configuration command.

## Limiting How Long an sdr Cache Entry Exists

By default, entries are never deleted from the sdr cache. You can limit how long the entry remains active so that if a source stops advertising SAP information, old advertisements are not needlessly kept.

Beginning in privileged EXEC mode, follow these steps to limit how long an sdr cache entry stays active in the cache. This procedure is optional.

	Command	Purpose
Step 1	<b>configure terminal</b>	Enter global configuration mode.
Step 2	<b>ip sdr cache-timeout</b> <i>minutes</i>	Limit how long an sdr cache entry stays active in the cache.  By default, entries are never deleted from the cache.  For <i>minutes</i> , the range is 1 to 4294967295.
Step 3	<b>end</b>	Return to privileged EXEC mode.
Step 4	<b>show running-config</b>	Verify your entries.
Step 5	<b>copy running-config startup-config</b>	(Optional) Save your entries in the configuration file.

To return to the default setting, use the **no ip sdr cache-timeout** global configuration command. To delete the entire cache, use the **clear ip sdr** privileged EXEC command.

To display the session directory cache, use the **show ip sdr** privileged EXEC command.

## Configuring an IP Multicast Boundary

Administratively-scoped boundaries can be used to limit the forwarding of multicast traffic outside of a domain or subdomain. This approach uses a special range of multicast addresses, called *administratively-scoped addresses*, as the boundary mechanism. If you configure an administratively-scoped boundary on a routed interface, multicast traffic whose multicast group addresses fall in this range can not enter or exit this interface, thereby providing a firewall for multicast traffic in this address range.

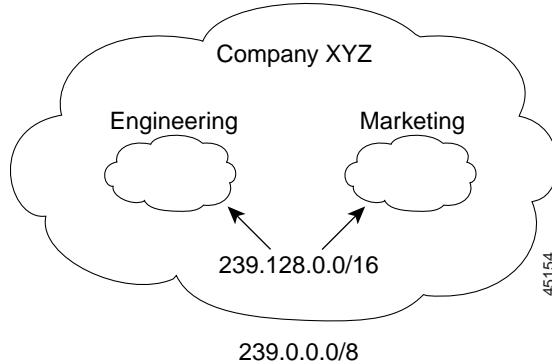


### Note

Multicast boundaries and TTL thresholds control the scoping of multicast domains; however, TTL thresholds are not supported by the switch. You should use multicast boundaries instead of TTL thresholds to limit the forwarding of multicast traffic outside of a domain or a subdomain.

Figure 44-6 shows that Company XYZ has an administratively-scoped boundary set for the multicast address range 239.0.0.0/8 on all routed interfaces at the perimeter of its network. This boundary prevents any multicast traffic in the range 239.0.0.0 through 239.255.255.255 from entering or leaving the network. Similarly, the engineering and marketing departments have an administratively-scoped boundary of 239.128.0.0/16 around the perimeter of their networks. This boundary prevents multicast traffic in the range of 239.128.0.0 through 239.128.255.255 from entering or leaving their respective networks.

Figure 44-6 Administratively-Scoped Boundaries



You can define an administratively-scoped boundary on a routed interface for multicast group addresses. A standard access list defines the range of addresses affected. When a boundary is defined, no multicast data packets are allowed to flow across the boundary from either direction. The boundary allows the same multicast group address to be reused in different administrative domains.

The IANA has designated the multicast address range 239.0.0.0 to 239.255.255.255 as the administratively-scoped addresses. This range of addresses can then be reused in domains administered by different organizations. The addresses would be considered local, not globally unique.

Beginning in privileged EXEC mode, follow these steps to set up an administratively-scoped boundary. This procedure is optional.

	Command	Purpose
Step 1	<b>configure terminal</b>	Enter global configuration mode.
Step 2	<b>access-list</b> <i>access-list-number</i> { <b>deny</b>   <b>permit</b> } <i>source</i> [ <i>source-wildcard</i> ]	Create a standard access list, repeating the command as many times as necessary. <ul style="list-style-type: none"> <li>For <i>access-list-number</i>, the range is 1 to 99.</li> <li>The <b>deny</b> keyword denies access if the conditions are matched. The <b>permit</b> keyword permits access if the conditions are matched.</li> <li>For <i>source</i>, enter the number of the network or host from which the packet is being sent.</li> <li>(Optional) For <i>source-wildcard</i>, enter the wildcard bits in dotted decimal notation to be applied to the source. Place ones in the bit positions that you want to ignore.</li> </ul> Recall that the access list is always terminated by an implicit deny statement for everything.
Step 3	<b>interface</b> <i>interface-id</i>	Specify the interface to be configured, and enter interface configuration mode.
Step 4	<b>no shutdown</b>	Enable the port, if necessary. By default, UNIs and ENIs are disabled, and NNIs are enabled.
Step 5	<b>ip multicast boundary</b> <i>access-list-number</i>	Configure the boundary, specifying the access list you created in Step 2.
Step 6	<b>end</b>	Return to privileged EXEC mode.

	Command	Purpose
Step 7	<b>show running-config</b>	Verify your entries.
Step 8	<b>copy running-config startup-config</b>	(Optional) Save your entries in the configuration file.

To remove the boundary, use the **no ip multicast boundary** interface configuration command.

This example shows how to set up a boundary for all administratively-scoped addresses:

```
Switch(config)# access-list 1 deny 239.0.0.0 0.255.255.255
Switch(config)# access-list 1 permit 224.0.0.0 15.255.255.255
Switch(config)# interface gigabitethernet0/1
Switch(config-if)# ip multicast boundary 1
```

## Monitoring and Maintaining IP Multicast Routing

- [Clearing Caches, Tables, and Databases, page 44-47](#)
- [Displaying System and Network Statistics, page 44-47](#)
- [Monitoring IP Multicast Routing, page 44-48](#)

### Clearing Caches, Tables, and Databases

You can remove all contents of a particular cache, table, or database. Clearing a cache, table, or database might be necessary when the contents of the particular structure are or suspected to be invalid.

You can use any of the privileged EXEC commands in [Table 44-6](#) to clear IP multicast caches, tables, and databases:

**Table 44-6** Commands for Clearing Caches, Tables, and Databases

Command	Purpose
<b>clear ip igmp group</b> [ <i>group-name</i>   <i>group-address</i>   <i>interface</i> ]	Delete entries from the IGMP cache.
<b>clear ip mroute</b> [*   <i>group</i> [ <i>source</i> ]]	Delete entries from the IP multicast routing table.
<b>clear ip pim auto-rp</b> <i>rp-address</i>	Clear the Auto-RP cache.
<b>clear ip sdr</b> [ <i>group-address</i>   “ <i>session-name</i> ”]	Delete the Session Directory Protocol Version 2 cache or an sdr cache entry.

### Displaying System and Network Statistics

You can display specific statistics, such as the contents of IP routing tables, caches, and databases.



Note

This release does not support per-route statistics.

You can display information to learn resource utilization and solve network problems. You can also display information about node reachability and discover the routing path your device’s packets are taking through the network.

You can use any of the privileged EXEC commands in [Table 44-7](#) to display various routing statistics:

**Table 44-7** Commands for Displaying System and Network Statistics

Command	Purpose
<b>ping</b> [ <i>group-name</i>   <i>group-address</i> ]	Send an ICMP Echo Request to a multicast group address.
<b>show ip igmp groups</b> [ <i>group-name</i>   <i>group-address</i>   <i>type number</i> ]	Display the multicast groups that are directly connected to the switch and that were learned through IGMP.
<b>show ip igmp interface</b> [ <i>type number</i> ]	Display multicast-related information about an interface.
<b>show ip mcache</b> [ <i>group</i> [ <i>source</i> ]]	Display the contents of the IP fast-switching cache.
<b>show ip mpacket</b> [ <i>source-address</i>   <i>name</i> ] [ <i>group-address</i>   <i>name</i> ] [ <b>detail</b> ]	Display the contents of the circular cache-header buffer.
<b>show ip mroute</b> [ <i>group-name</i>   <i>group-address</i> ] [ <i>source</i> ] [ <b>summary</b> ] [ <b>count</b> ] [ <b>active kbps</b> ]	Display the contents of the IP multicast routing table.
<b>show ip pim interface</b> [ <i>type number</i> ] [ <b>count</b> ]	Display information about interfaces configured for PIM.
<b>show ip pim neighbor</b> [ <i>type number</i> ]	List the PIM neighbors discovered by the switch.
<b>show ip pim rp</b> [ <i>group-name</i>   <i>group-address</i> ]	Display the RP routers associated with a sparse-mode multicast group.
<b>show ip rpf</b> { <i>source-address</i>   <i>name</i> }	Display how the switch is doing Reverse-Path Forwarding (that is, from the unicast routing table or static mroutes).
<b>show ip sdr</b> [ <i>group</i>   “ <i>session-name</i> ”] [ <b>detail</b> ]	Display the Session Directory Protocol Version 2 cache.

## Monitoring IP Multicast Routing

You can use the privileged EXEC commands in [Table 44-8](#) to monitor IP multicast routers, packets, and paths:

**Table 44-8** Commands for Monitoring IP Multicast Routing

Command	Purpose
<b>mrinfo</b> [ <i>hostname</i>   <i>address</i> ] [ <i>source-address</i>   <i>interface</i> ]	Query a multicast router or multilayer switch about which neighboring multicast devices are peering with it.
<b>mstat</b> <i>source</i> [ <i>destination</i> ] [ <i>group</i> ]	Display IP multicast packet rate and loss information.
<b>mtrace</b> <i>source</i> [ <i>destination</i> ] [ <i>group</i> ]	Trace the path from a source to a destination branch for a multicast distribution tree for a given group.



## Configuring MSDP

---

This chapter describes how to configure the Multicast Source Discovery Protocol (MSDP) on the Cisco ME 3400E Ethernet Access switch. The MSDP connects multiple Protocol-Independent Multicast sparse-mode (PIM-SM) domains.

MSDP is not fully supported in this software release because of a lack of support for Multicast Border Gateway Protocol (MBGP), which works closely with MSDP. However, it is possible to create default peers that MSDP can operate with if MBGP is not running.

To use this feature, the switch must be running the metro IP access image.



Note

---

For complete syntax and usage information for the commands used in this chapter, see the *Cisco IOS IP Command Reference, Volume 3 of 3: Multicast, Release 12.2*.

---

This chapter consists of these sections:

- [Understanding MSDP, page 45-1](#)
- [Configuring MSDP, page 45-3](#)
- [Monitoring and Maintaining MSDP, page 45-17](#)

## Understanding MSDP

MSDP allows multicast sources for a group to be known to all rendezvous points (RPs) in different domains. Each PIM-SM domain uses its own RPs and does not depend on RPs in other domains. An RP runs MSDP over the Transmission Control Protocol (TCP) to discover multicast sources in other domains.

An RP in a PIM-SM domain has an MSDP peering relationship with MSDP-enabled devices in another domain. The peering relationship occurs over a TCP connection, primarily exchanging a list of sources sending to multicast groups. The TCP connections between RPs are achieved by the underlying routing system. The receiving RP uses the source lists to establish a source path.

The purpose of this topology is to have domains discover multicast sources in other domains. If the multicast sources are of interest to a domain that has receivers, multicast data is delivered over the normal, source-tree building mechanism in PIM-SM. MSDP is also used to announce sources sending to a group. These announcements must originate at the domain's RP.

MSDP depends heavily on the Border Gateway Protocol (BGP) or MBGP for interdomain operation. We recommend that you run MSDP in RPs in your domain that are RPs for sources sending to global groups to be announced to the Internet.

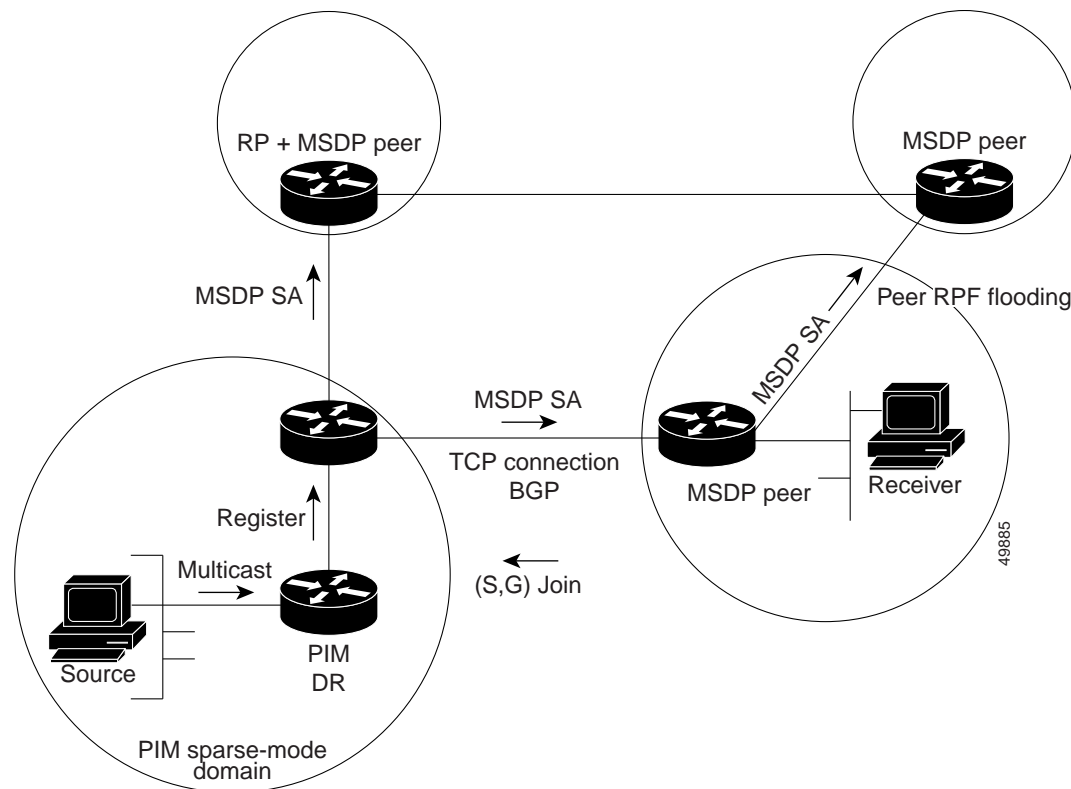
## MSDP Operation

Figure 45-1 shows MSDP operating between two MSDP peers. PIM uses MSDP as the standard mechanism to register a source with the RP of a domain. When MSDP is configured, this sequence occurs.

When a source sends its first multicast packet, the first-hop router (*designated router* or RP) directly connected to the source sends a PIM register message to the RP. The RP uses the register message to register the active source and to forward the multicast packet down the shared tree in the local domain. With MSDP configured, the RP also forwards a source-active (SA) message to all MSDP peers. The SA message identifies the source, the group the source is sending to, and the address of the RP or the originator ID (the IP address of the interface used as the RP address), if configured.

Each MSDP peer receives and forwards the SA message away from the originating RP to achieve peer reverse-path flooding (RPF). The MSDP device examines the BGP or MBGP routing table to discover which peer is the next hop toward the originating RP of the SA message. Such a peer is called an *RPF peer* (reverse-path forwarding peer). The MSDP device forwards the message to all MSDP peers other than the RPF peer. For information on how to configure an MSDP peer when BGP and MBGP are not supported, see the “Configuring a Default MSDP Peer” section on page 45-4.

Figure 45-1 MSDP Running Between RP Peers



If the MSDP peer receives the same SA message from a non-RPF peer toward the originating RP, it drops the message. Otherwise, it forwards the message to all its MSDP peers.



The RP for a domain receives the SA message from an MSDP peer. If the RP has any join requests for the group the SA message describes and if the (\*,G) entry exists with a nonempty outgoing interface list, the domain is interested in the group, and the RP triggers an (S,G) join toward the source. After the (S,G) join reaches the source's DR, a branch of the source tree has been built from the source to the RP in the remote domain. Multicast traffic can now flow from the source across the source tree to the RP and then down the shared tree in the remote domain to the receiver.

## MSDP Benefits

MSDP has these benefits:

- It breaks up the shared multicast distribution tree. You can make the shared tree local to your domain. Your local members join the local tree, and join messages for the shared tree never need to leave your domain.
- PIM sparse-mode domains can rely only on their own RPs, decreasing reliance on RPs in another domain. This increases security because you can prevent your sources from being known outside your domain.
- Domains with only receivers can receive data without globally advertising group membership.
- Global source multicast routing table state is not required, saving memory.

## Configuring MSDP

- [Default MSDP Configuration, page 45-3](#)
- [Configuring a Default MSDP Peer, page 45-4](#) (required)
- [Caching Source-Active State, page 45-6](#) (optional)
- [Requesting Source Information from an MSDP Peer, page 45-7](#) (optional)
- [Controlling Source Information that Your Switch Originates, page 45-8](#) (optional)
- [Controlling Source Information that Your Switch Forwards, page 45-11](#) (optional)
- [Controlling Source Information that Your Switch Receives, page 45-13](#) (optional)
- [Configuring an MSDP Mesh Group, page 45-14](#) (optional)
- [Shutting Down an MSDP Peer, page 45-15](#) (optional)
- [Including a Bordering PIM Dense-Mode Region in MSDP, page 45-15](#) (optional)
- [Configuring an Originating Address other than the RP Address, page 45-16](#) (optional)

## Default MSDP Configuration

MSDP is not enabled, and no default MSDP peer exists.

## Configuring a Default MSDP Peer

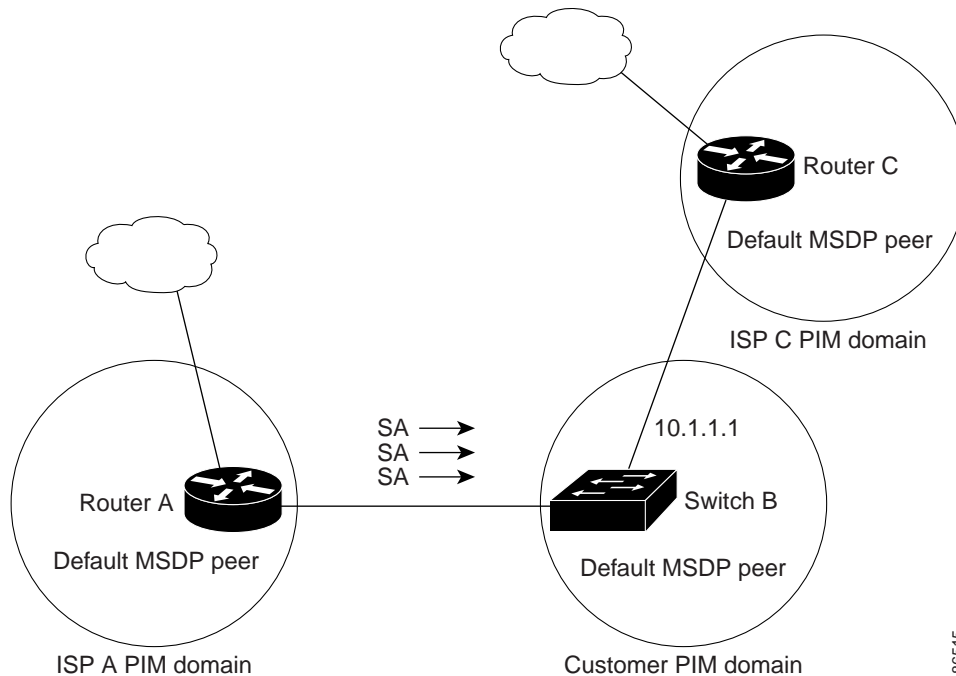
In this software release, because BGP and MBGP are not supported, you cannot configure an MSDP peer on the local switch by using the `ip msdp peer` global configuration command. Instead, you define a default MSDP peer (by using the `ip msdp default-peer` global configuration command) from which to accept all SA messages for the switch. The default MSDP peer must be a previously configured MSDP peer. Configure a default MSDP peer when the switch is not BGP- or MBGP-peering with an MSDP peer. If a single MSDP peer is configured, the switch always accepts all SA messages from that peer.

Figure 45-2 shows a network in which default MSDP peers might be used. In Figure 45-2, a customer who owns Switch B is connected to the Internet through two Internet service providers (ISPs), one owning Router A and the other owning Router C. They are not running BGP or MBGP between them. To learn about sources in the ISP's domain or in other domains, Switch B at the customer site identifies Router A as its default MSDP peer. Switch B advertises SA messages to both Router A and Router C but accepts SA messages only from Router A or only from Router C. If Router A is first in the configuration file, it is used if it is running. If Router A is not running, only then does Switch B accept SA messages from Router C. This is the default behavior without a prefix list.

If you specify a prefix list, the peer is a default peer only for the prefixes in the list. You can have multiple active default peers when you have a prefix list associated with each. When you do not have any prefix lists, you can configure multiple default peers, but only the first one is the active default peer as long as the router has connectivity to this peer and the peer is alive. If the first configured peer fails or the connectivity to this peer fails, the second configured peer becomes the active default, and so on.

The ISP probably uses a prefix list to define which prefixes it accepts from the customer's router.

Figure 45-2 Default MSDP Peer Network



866515

Beginning in privileged EXEC mode, follow these steps to specify a default MSDP peer. This procedure is required.

	Command	Purpose
Step 1	<b>configure terminal</b>	Enter global configuration mode.
Step 2	<b>ip msdp default-peer</b> <i>ip-address</i>   <i>name</i> [ <b>prefix-list</b> <i>list</i> ]	<p>Define a default peer from which to accept all MSDP SA messages.</p> <ul style="list-style-type: none"> <li>For <i>ip-address</i>   <i>name</i>, enter the IP address or Domain Name System (DNS) server name of the MSDP default peer.</li> <li>(Optional) For <b>prefix-list</b> <i>list</i>, enter the list name that specifies the peer to be the default peer only for the listed prefixes. You can have multiple active default peers when you have a prefix list associated with each.</li> </ul> <p>When you enter multiple <b>ip msdp default-peer</b> commands with the <b>prefix-list</b> keyword, you use all the default peers at the same time for different RP prefixes. This syntax is typically used in a service provider cloud that connects stub site clouds.</p> <p>When you enter multiple <b>ip msdp default-peer</b> commands without the <b>prefix-list</b> keyword, a single active peer accepts all SA messages. If that peer fails, the next configured default peer accepts all SA messages. This syntax is typically used at a stub site.</p>
Step 3	<b>ip prefix-list</b> <i>name</i> [ <b>description</b> <i>string</i> ]   <b>seq</b> <i>number</i> { <b>permit</b>   <b>deny</b> } <i>network</i> <i>length</i>	<p>(Optional) Create a prefix list using the name specified in Step 2.</p> <ul style="list-style-type: none"> <li>(Optional) For <b>description</b> <i>string</i>, enter a description of up to 80 characters to describe this prefix list.</li> <li>For <b>seq</b> <i>number</i>, enter the sequence number of the entry. The range is 1 to 4294967294.</li> <li>The <b>deny</b> keyword denies access to matching conditions.</li> <li>The <b>permit</b> keyword permits access to matching conditions.</li> <li>For <i>network length</i>, specify the network number and length (in bits) of the network mask that is permitted or denied.</li> </ul>
Step 4	<b>ip msdp description</b> { <i>peer-name</i>   <i>peer-address</i> } <i>text</i>	<p>(Optional) Configure a description for the specified peer to make it easier to identify in a configuration or in <b>show</b> command output.</p> <p>By default, no description is associated with an MSDP peer.</p>
Step 5	<b>end</b>	Return to privileged EXEC mode.
Step 6	<b>show running-config</b>	Verify your entries.
Step 7	<b>copy running-config startup-config</b>	(Optional) Save your entries in the configuration file.

To remove the default peer, use the **no ip msdp default-peer** *ip-address* | *name* global configuration command.

This example shows a partial configuration of Router A and Router C in Figure 45-2. Each of these ISPs have more than one customer (like the customer in Figure 45-2) who use default peering (no BGP or MBGP). In that case, they might have similar configurations. That is, they accept SAs only from a default peer if the SA is permitted by the corresponding prefix list.

#### Router A

```
Router(config)# ip msdp default-peer 10.1.1.1
Router(config)# ip msdp default-peer 10.1.1.1 prefix-list site-a
Router(config)# ip prefix-list site-b permit 10.0.0.0/1
```

#### Router C

```
Router(config)# ip msdp default-peer 10.1.1.1 prefix-list site-a
Router(config)# ip prefix-list site-b permit 10.0.0.0/1
```

## Caching Source-Active State

By default, the switch does not cache source/group pairs from received SA messages. When the switch forwards the MSDP SA information, it does not store it in memory. Therefore, if a member joins a group soon after a SA message is received by the local RP, that member needs to wait until the next SA message to hear about the source. This delay is known as join latency.

If you want to sacrifice some memory in exchange for reducing the latency of the source information, you can configure the switch to cache SA messages.

Beginning in privileged EXEC mode, follow these steps to enable the caching of source/group pairs. This procedure is optional.

	Command	Purpose
Step 1	<b>configure terminal</b>	Enter global configuration mode.
Step 2	<b>ip msdp cache-sa-state [list access-list-number]</b>	Enable the caching of source/group pairs (create an SA state). Those pairs that pass the access list are cached. For <b>list access-list-number</b> , the range is 100 to 199.

	Command	Purpose
Step 3	<b>access-list</b> <i>access-list-number</i> { <b>deny</b>   <b>permit</b> } <i>protocol source source-wildcard destination destination-wildcard</i>	<p>Create an IP extended access list, repeating the command as many times as necessary.</p> <ul style="list-style-type: none"> <li>For <i>access-list-number</i>, the range is 100 to 199. Enter the same number created in Step 2.</li> <li>The <b>deny</b> keyword denies access if the conditions are matched. The <b>permit</b> keyword permits access if the conditions are matched.</li> <li>For <i>protocol</i>, enter <b>ip</b> as the protocol name.</li> <li>For <i>source</i>, enter the number of the network or host from which the packet is being sent.</li> <li>For <i>source-wildcard</i>, enter the wildcard bits in dotted decimal notation to be applied to the source. Place ones in the bit positions that you want to ignore.</li> <li>For <i>destination</i>, enter the number of the network or host to which the packet is being sent.</li> <li>For <i>destination-wildcard</i>, enter the wildcard bits in dotted decimal notation to be applied to the destination. Place ones in the bit positions that you want to ignore.</li> </ul> <p>Recall that the access list is always terminated by an implicit deny statement for everything.</p>
Step 4	<b>end</b>	Return to privileged EXEC mode.
Step 5	<b>show running-config</b>	Verify your entries.
Step 6	<b>copy running-config startup-config</b>	(Optional) Save your entries in the configuration file.

**Note**

An alternative to this command is the **ip msdp sa-request** global configuration command, which causes the switch to send an SA request message to the MSDP peer when a new member for a group becomes active. For more information, see the next section.

To return to the default setting (no SA state is created), use the **no ip msdp cache-sa-state** global configuration command.

This example shows how to enable the cache state for all sources in 171.69.0.0/16 sending to groups 224.2.0.0/16:

```
Switch(config)# ip msdp cache-sa-state 100
Switch(config)# access-list 100 permit ip 171.69.0.0 0.0.255.255 224.2.0.0 0.0.255.255
```

## Requesting Source Information from an MSDP Peer

Local RPs can send SA requests and get immediate responses for all active sources for a given group. By default, the switch does not send any SA request messages to its MSDP peers when a new member joins a group and wants to receive multicast traffic. The new member waits to receive the next periodic SA message.

If you want a new member of a group to learn the active multicast sources in a connected PIM sparse-mode domain that are sending to a group, configure the switch to send SA request messages to the specified MSDP peer when a new member joins a group. The peer replies with the information in its SA cache. If the peer does not have a cache configured, this command has no result. Configuring this feature reduces join latency but sacrifices memory.

Beginning in privileged EXEC mode, follow these steps to configure the switch to send SA request messages to the MSDP peer when a new member joins a group and wants to receive multicast traffic. This procedure is optional.

	Command	Purpose
Step 1	<b>configure terminal</b>	Enter global configuration mode.
Step 2	<b>ip msdp sa-request</b> { <i>ip-address</i>   <i>name</i> }	Configure the switch to send SA request messages to the specified MSDP peer.  For <i>ip-address</i>   <i>name</i> , enter the IP address or name of the MSDP peer from which the local switch requests SA messages when a new member for a group becomes active.  Repeat the command for each MSDP peer that you want to supply with SA messages.
Step 3	<b>end</b>	Return to privileged EXEC mode.
Step 4	<b>show running-config</b>	Verify your entries.
Step 5	<b>copy running-config startup-config</b>	(Optional) Save your entries in the configuration file.

To return to the default setting, use the **no ip msdp sa-request** {*ip-address* | *name*} global configuration command.

This example shows how to configure the switch to send SA request messages to the MSDP peer at 171.69.1.1:

```
Switch(config)# ip msdp sa-request 171.69.1.1
```

## Controlling Source Information that Your Switch Originates

You can control the multicast source information that originates with your switch:

- Sources you advertise (based on your sources)
- Receivers of source information (based on knowing the requestor)

For more information, see the [“Redistributing Sources” section on page 45-8](#) and the [“Filtering Source-Active Request Messages” section on page 45-10](#).

## Redistributing Sources

SA messages originate on RPs to which sources have registered. By default, any source that registers with an RP is advertised. The *A flag* is set in the RP when a source is registered, which means the source is advertised in an SA unless it is filtered.

Beginning in privileged EXEC mode, follow these steps to further restrict which registered sources are advertised. This procedure is optional.

	Command	Purpose
Step 1	<b>configure terminal</b>	Enter global configuration mode.
Step 2	<b>ip msdp redistribute</b> [ <i>list access-list-name</i> ] [ <b>asn</b> <i>aspath-access-list-number</i> ] [ <b>route-map</b> <i>map</i> ]	<p>Configure which (S,G) entries from the multicast routing table are advertised in SA messages.</p> <p>By default, only sources within the local domain are advertised.</p> <ul style="list-style-type: none"> <li>• (Optional) For <b>list</b> <i>access-list-name</i>, enter the name or number of an IP standard or extended access list. The range is 1 to 99 for standard access lists and 100 to 199 for extended lists. The access list controls which local sources are advertised and to which groups they send.</li> <li>• (Optional) For <b>asn</b> <i>aspath-access-list-number</i>, enter the IP standard or extended access list number in the range 1 to 199. This access list number must also be configured in the <b>ip as-path access-list</b> command.</li> <li>• (Optional) For <b>route-map</b> <i>map</i>, enter the IP standard or extended access list number in the range 1 to 199. This access list number must also be configured in the <b>ip as-path access-list</b> command.</li> </ul> <p>The switch advertises (S,G) pairs according to the access list or autonomous system path access list.</p>
Step 3	<p><b>access-list</b> <i>access-list-number</i> {<b>deny</b>   <b>permit</b>} <i>source</i> [<i>source-wildcard</i>]</p> <p><b>or</b></p> <p><b>access-list</b> <i>access-list-number</i> {<b>deny</b>   <b>permit</b>} <i>protocol source source-wildcard destination destination-wildcard</i></p>	<p>Create an IP standard access list, repeating the command as many times as necessary.</p> <p>or</p> <p>Create an IP extended access list, repeating the command as many times as necessary.</p> <ul style="list-style-type: none"> <li>• For <i>access-list-number</i>, the range is 1 to 99 for standard access lists and 100 to 199 for extended lists. Enter the same number created in Step 2.</li> <li>• The <b>deny</b> keyword denies access if the conditions are matched. The <b>permit</b> keyword permits access if the conditions are matched.</li> <li>• For <i>protocol</i>, enter <b>ip</b> as the protocol name.</li> <li>• For <i>source</i>, enter the number of the network or host from which the packet is being sent.</li> <li>• For <i>source-wildcard</i>, enter the wildcard bits in dotted decimal notation to be applied to the source. Place ones in the bit positions that you want to ignore.</li> <li>• For <i>destination</i>, enter the number of the network or host to which the packet is being sent.</li> <li>• For <i>destination-wildcard</i>, enter the wildcard bits in dotted decimal notation to be applied to the destination. Place ones in the bit positions that you want to ignore.</li> </ul> <p>Recall that the access list is always terminated by an implicit deny statement for everything.</p>
Step 4	<b>end</b>	Return to privileged EXEC mode.

	Command	Purpose
Step 5	<b>show running-config</b>	Verify your entries.
Step 6	<b>copy running-config startup-config</b>	(Optional) Save your entries in the configuration file.

To remove the filter, use the **no ip msdp redistribute** global configuration command.

## Filtering Source-Active Request Messages

By default, only switches that are caching SA information can respond to SA requests. By default, such a switch honors all SA request messages from its MSDP peers and supplies the IP addresses of the active sources.

However, you can configure the switch to ignore all SA requests from an MSDP peer. You can also honor only those SA request messages from a peer for groups described by a standard access list. If the groups in the access list pass, SA request messages are accepted. All other such messages from the peer for other groups are ignored.

Beginning in privileged EXEC mode, follow these steps to configure one of these options. This procedure is optional.

	Command	Purpose
Step 1	<b>configure terminal</b>	Enter global configuration mode.
Step 2	<b>ip msdp filter-sa-request</b> <i>ip-address</i>   <i>name</i> or <b>ip msdp filter-sa-request</b> { <i>ip-address</i>   <i>name</i> } <b>list</b> <i>access-list-number</i>	Filter all SA request messages from the specified MSDP peer. or Filter SA request messages from the specified MSDP peer for groups that pass the standard access list. The access list describes a multicast group address. The range for the access-list-number is 1 to 99.
Step 3	<b>access-list</b> <i>access-list-number</i> { <b>deny</b>   <b>permit</b> } <i>source</i> [ <i>source-wildcard</i> ]	Create an IP standard access list, repeating the command as many times as necessary. <ul style="list-style-type: none"> <li>For <i>access-list-number</i>, the range is 1 to 99.</li> <li>The <b>deny</b> keyword denies access if the conditions are matched. The <b>permit</b> keyword permits access if the conditions are matched.</li> <li>For <i>source</i>, enter the number of the network or host from which the packet is being sent.</li> <li>(Optional) For <i>source-wildcard</i>, enter the wildcard bits in dotted decimal notation to be applied to the source. Place ones in the bit positions that you want to ignore.</li> </ul> Recall that the access list is always terminated by an implicit deny statement for everything.
Step 4	<b>end</b>	Return to privileged EXEC mode.
Step 5	<b>show running-config</b>	Verify your entries.
Step 6	<b>copy running-config startup-config</b>	(Optional) Save your entries in the configuration file.

To return to the default setting, use the **no ip msdp filter-sa-request** {*ip-address* | *name*} global configuration command.



This example shows how to configure the switch to filter SA request messages from the MSDP peer at 171.69.2.2. SA request messages from sources on network 192.4.22.0 pass access list 1 and are accepted; all others are ignored.

```
Switch(config)# ip msdp filter sa-request 171.69.2.2 list 1
Switch(config)# access-list 1 permit 192.4.22.0 0.0.0.255
```

## Controlling Source Information that Your Switch Forwards

By default, the switch forwards all SA messages it receives to all its MSDP peers. However, you can prevent outgoing messages from being forwarded to a peer by using a filter or by setting a time-to-live (TTL) value. These methods are described in the next sections.

### Using a Filter

By creating a filter, you can perform one of these actions:

- Filter all source/group pairs
- Specify an IP extended access list to pass only certain source/group pairs
- Filter based on match criteria in a route map

Beginning in privileged EXEC mode, follow these steps to apply a filter. This procedure is optional.

	Command	Purpose
Step 1	<b>configure terminal</b>	Enter global configuration mode.
Step 2	<b>ip msdp sa-filter out</b> <i>ip-address</i>   <i>name</i> or <b>ip msdp sa-filter out</b> { <i>ip-address</i>   <i>name</i> } <b>list</b> <i>access-list-number</i> or <b>ip msdp sa-filter out</b> { <i>ip-address</i>   <i>name</i> } <b>route-map</b> <i>map-tag</i>	Filter all SA messages to the specified MSDP peer. or To the specified peer, pass only those SA messages that pass the IP extended access list. The range for the extended <i>access-list-number</i> is 100 to 199. If both the <b>list</b> and the <b>route-map</b> keywords are used, all conditions must be true to pass any (S,G) pair in outgoing SA messages. or To the specified MSDP peer, pass only those SA messages that meet the match criteria in the route map <i>map-tag</i> . If all match criteria are true, a <b>permit</b> from the route map passes routes through the filter. A <b>deny</b> filters routes.

	Command	Purpose
Step 3	<b>access-list</b> <i>access-list-number</i> { <b>deny</b>   <b>permit</b> } <i>protocol source source-wildcard destination destination-wildcard</i>	<p>(Optional) Create an IP extended access list, repeating the command as many times as necessary.</p> <ul style="list-style-type: none"> <li>For <i>access-list-number</i>, enter the number specified in Step 2.</li> <li>The <b>deny</b> keyword denies access if the conditions are matched. The <b>permit</b> keyword permits access if the conditions are matched.</li> <li>For <i>protocol</i>, enter <b>ip</b> as the protocol name.</li> <li>For <i>source</i>, enter the number of the network or host from which the packet is being sent.</li> <li>For <i>source-wildcard</i>, enter the wildcard bits in dotted decimal notation to be applied to the source. Place ones in the bit positions that you want to ignore.</li> <li>For <i>destination</i>, enter the number of the network or host to which the packet is being sent.</li> <li>For <i>destination-wildcard</i>, enter the wildcard bits in dotted decimal notation to be applied to the destination. Place ones in the bit positions that you want to ignore.</li> </ul> <p>Recall that the access list is always terminated by an implicit deny statement for everything.</p>
Step 4	<b>end</b>	Return to privileged EXEC mode.
Step 5	<b>show running-config</b>	Verify your entries.
Step 6	<b>copy running-config startup-config</b>	(Optional) Save your entries in the configuration file.

To remove the filter, use the **no ip msdp sa-filter out** {*ip-address* | *name*} [**list** *access-list-number*] [**route-map** *map-tag*] global configuration command.

This example shows how to allow only (S,G) pairs that pass access list 100 to be forwarded in an SA message to the peer named *switch.cisco.com*:

```
Switch(config)# ip msdp peer switch.cisco.com connect-source gigabitethernet0/1
Switch(config)# ip msdp sa-filter out switch.cisco.com list 100
Switch(config)# access-list 100 permit ip 171.69.0.0 0.0.255.255 224.20 0 0.0.255.255
```

## Using TTL to Limit the Multicast Data Sent in SA Messages

You can use a TTL value to control what data is encapsulated in the first SA message for every source. Only multicast packets with an IP-header TTL greater than or equal to the *tll* argument are sent to the specified MSDP peer. For example, you can limit internal traffic to a TTL of 8. If you want other groups to go to external locations, you must send those packets with a TTL greater than 8.

Beginning in privileged EXEC mode, follow these steps to establish a TTL threshold. This procedure is optional.

	Command	Purpose
Step 1	<b>configure terminal</b>	Enter global configuration mode.
Step 2	<b>ip msdp ttl-threshold</b> { <i>ip-address</i>   <i>name</i> } <i>ttl</i>	Limit which multicast data is encapsulated in the first SA message to the specified MSDP peer. <ul style="list-style-type: none"> <li>For <i>ip-address</i>   <i>name</i>, enter the IP address or name of the MSDP peer to which the TTL limitation applies.</li> <li>For <i>ttl</i>, enter the TTL value. The default is 0, which means all multicast data packets are forwarded to the peer until the TTL is exhausted. The range is 0 to 255.</li> </ul>
Step 3	<b>end</b>	Return to privileged EXEC mode.
Step 4	<b>show running-config</b>	Verify your entries.
Step 5	<b>copy running-config startup-config</b>	(Optional) Save your entries in the configuration file.

To return to the default setting, use the **no ip msdp ttl-threshold** { *ip-address* | *name* } global configuration command.

## Controlling Source Information that Your Switch Receives

By default, the switch receives all SA messages that its MSDP RPF peers send to it. However, you can control the source information that you receive from MSDP peers by filtering incoming SA messages. In other words, you can configure the switch to not accept them.

You can perform one of these actions:

- Filter all incoming SA messages from an MSDP peer
- Specify an IP extended access list to pass certain source/group pairs
- Filter based on match criteria in a route map

Beginning in privileged EXEC mode, follow these steps to apply a filter. This procedure is optional.

	Command	Purpose
Step 1	<b>configure terminal</b>	Enter global configuration mode.
Step 2	<b>ip msdp sa-filter in</b> <i>ip-address</i>   <i>name</i> or <b>ip msdp sa-filter in</b> { <i>ip-address</i>   <i>name</i> } <b>list</b> <i>access-list-number</i> or <b>ip msdp sa-filter in</b> { <i>ip-address</i>   <i>name</i> } <b>route-map</b> <i>map-tag</i>	Filter all SA messages from the specified MSDP peer. or From the specified peer, pass only those SA messages that pass the IP extended access list. The range for the extended <i>access-list-number</i> is 100 to 199. If both the <b>list</b> and the <b>route-map</b> keywords are used, all conditions must be true to pass any (S,G) pair in incoming SA messages. or From the specified MSDP peer, pass only those SA messages that meet the match criteria in the route map <i>map-tag</i> . If all match criteria are true, a <b>permit</b> from the route map passes routes through the filter. A <b>deny</b> will filter routes.

	Command	Purpose
Step 3	<b>access-list</b> <i>access-list-number</i> { <b>deny</b>   <b>permit</b> } <i>protocol source source-wildcard destination destination-wildcard</i>	<p>(Optional) Create an IP extended access list, repeating the command as many times as necessary.</p> <ul style="list-style-type: none"> <li>For <i>access-list-number</i>, enter the number specified in Step 2.</li> <li>The <b>deny</b> keyword denies access if the conditions are matched. The <b>permit</b> keyword permits access if the conditions are matched.</li> <li>For <i>protocol</i>, enter <b>ip</b> as the protocol name.</li> <li>For <i>source</i>, enter the number of the network or host from which the packet is being sent.</li> <li>For <i>source-wildcard</i>, enter the wildcard bits in dotted decimal notation to be applied to the source. Place ones in the bit positions that you want to ignore.</li> <li>For <i>destination</i>, enter the number of the network or host to which the packet is being sent.</li> <li>For <i>destination-wildcard</i>, enter the wildcard bits in dotted decimal notation to be applied to the destination. Place ones in the bit positions that you want to ignore.</li> </ul> <p>Recall that the access list is always terminated by an implicit deny statement for everything.</p>
Step 4	<b>end</b>	Return to privileged EXEC mode.
Step 5	<b>show running-config</b>	Verify your entries.
Step 6	<b>copy running-config startup-config</b>	(Optional) Save your entries in the configuration file.

To remove the filter, use the **no ip msdp sa-filter in** {*ip-address* | *name*} [**list** *access-list-number*] [**route-map** *map-tag*] global configuration command.

This example shows how to filter all SA messages from the peer named *switch.cisco.com*:

```
Switch(config)# ip msdp peer switch.cisco.com connect-source gigabitethernet0/1
Switch(config)# ip msdp sa-filter in switch.cisco.com
```

## Configuring an MSDP Mesh Group

An MSDP mesh group is a group of MSDP speakers that have fully meshed MSDP connectivity among one another. Any SA messages received from a peer in a mesh group are not forwarded to other peers in the same mesh group. Thus, you reduce SA message flooding and simplify peer-RPF flooding. Use the **ip msdp mesh-group** global configuration command when there are multiple RPs within a domain. It is especially used to send SA messages across a domain. You can configure multiple mesh groups (with different names) in a single switch.

Beginning in privileged EXEC mode, follow these steps to create a mesh group. This procedure is optional.

	Command	Purpose
Step 1	<b>configure terminal</b>	Enter global configuration mode.
Step 2	<b>ip msdp mesh-group</b> <i>name</i> { <i>ip-address</i>   <i>name</i> }	Configure an MSDP mesh group, and specify the MSDP peer belonging to that mesh group.  By default, the MSDP peers do not belong to a mesh group. <ul style="list-style-type: none"> <li>For <i>name</i>, enter the name of the mesh group.</li> <li>For <i>ip-address</i>   <i>name</i>, enter the IP address or name of the MSDP peer to be a member of the mesh group.</li> </ul>
Step 3	<b>end</b>	Return to privileged EXEC mode.
Step 4	<b>show running-config</b>	Verify your entries.
Step 5	<b>copy running-config startup-config</b>	(Optional) Save your entries in the configuration file.
Step 6		Repeat this procedure on each MSDP peer in the group.

To remove an MSDP peer from a mesh group, use the **no ip msdp mesh-group** *name* {*ip-address* | *name*} global configuration command.

## Shutting Down an MSDP Peer

If you want to configure many MSDP commands for the same peer and you do not want the peer to become active, you can shut down the peer, configure it, and later bring it up. When a peer is shut down, the TCP connection is terminated and is not restarted. You can also shut down an MSDP session without losing configuration information for the peer.

Beginning in privileged EXEC mode, follow these steps to shut down a peer. This procedure is optional.

	Command	Purpose
Step 1	<b>configure terminal</b>	Enter global configuration mode.
Step 2	<b>ip msdp shutdown</b> { <i>peer-name</i>   <i>peer address</i> }	Administratively shut down the specified MSDP peer without losing configuration information.  For <i>peer-name</i>   <i>peer address</i> , enter the IP address or name of the MSDP peer to shut down.
Step 3	<b>end</b>	Return to privileged EXEC mode.
Step 4	<b>show running-config</b>	Verify your entries.
Step 5	<b>copy running-config startup-config</b>	(Optional) Save your entries in the configuration file.

To bring the peer back up, use the **no ip msdp shutdown** {*peer-name* | *peer address*} global configuration command. The TCP connection is reestablished.

## Including a Bordering PIM Dense-Mode Region in MSDP

You can configure MSDP on a switch that borders a PIM sparse-mode region with a dense-mode region. By default, active sources in the dense-mode region do not participate in MSDP.

**Note**

We do not recommend using the **ip msdp border sa-address** global configuration command. It is better to configure the border router in the sparse-mode domain to proxy-register sources in the dense-mode domain to the RP of the sparse-mode domain and have the sparse-mode domain use standard MSDP procedures to advertise these sources.

Beginning in privileged EXEC mode, follow these steps to configure the border router to send SA messages for sources active in the dense-mode region to the MSDP peers. This procedure is optional.

	Command	Purpose
Step 1	<b>configure terminal</b>	Enter global configuration mode.
Step 2	<b>ip msdp border sa-address</b> <i>interface-id</i>	Configure the switch on the border between a dense-mode and sparse-mode region to send SA messages about active sources in the dense-mode region.  For <i>interface-id</i> , specify the interface from which the IP address is derived and used as the RP address in SA messages.  The IP address of the interface is used as the Originator-ID, which is the RP field in the SA message.
Step 3	<b>ip msdp redistribute</b> [ <b>list</b> <i>access-list-name</i> ] [ <b>asn</b> <i>aspath-access-list-number</i> ] [ <b>route-map</b> <i>map</i> ]	Configure which (S,G) entries from the multicast routing table are advertised in SA messages.  For more information, see the <a href="#">“Redistributing Sources” section on page 45-8</a> .
Step 4	<b>end</b>	Return to privileged EXEC mode.
Step 5	<b>show running-config</b>	Verify your entries.
Step 6	<b>copy running-config startup-config</b>	(Optional) Save your entries in the configuration file.

Note that the **ip msdp originator-id** global configuration command also identifies an interface to be used as the RP address. If both the **ip msdp border sa-address** and the **ip msdp originator-id** global configuration commands are configured, the address derived from the **ip msdp originator-id** command specifies the RP address.

To return to the default setting (active sources in the dense-mode region do not participate in MSDP), use the **no ip msdp border sa-address** *interface-id* global configuration command.

## Configuring an Originating Address other than the RP Address

You can allow an MSDP speaker that originates an SA message to use the IP address of the interface as the RP address in the SA message by changing the Originator ID. You might change the Originator ID in one of these cases:

- If you configure a logical RP on multiple switches in an MSDP mesh group.
- If you have a switch that borders a PIM sparse-mode domain and a dense-mode domain. If a switch borders a dense-mode domain for a site, and sparse-mode is being used externally, you might want dense-mode sources to be known to the outside world. Because this switch is not an RP, it would not have an RP address to use in an SA message. Therefore, this command provides the RP address by specifying the address of the interface.

Beginning in privileged EXEC mode, follow these steps to allow an MSDP speaker that originates an SA message to use the IP address on the interface as the RP address in the SA message. This procedure is optional.

	Command	Purpose
Step 1	<b>configure terminal</b>	Enter global configuration mode.
Step 2	<b>ip msdp originator-id</b> <i>interface-id</i>	Configures the RP address in SA messages to be the address of the originating device interface. For <i>interface-id</i> , specify the interface on the local switch.
Step 3	<b>end</b>	Return to privileged EXEC mode.
Step 4	<b>show running-config</b>	Verify your entries.
Step 5	<b>copy running-config startup-config</b>	(Optional) Save your entries in the configuration file.

If both the **ip msdp border sa-address** and the **ip msdp originator-id** global configuration commands are configured, the address derived from the **ip msdp originator-id** command specifies the address of the RP.

To prevent the RP address from being derived in this way, use the **no ip msdp originator-id interface-id** global configuration command.

## Monitoring and Maintaining MSDP

To monitor MSDP SA messages, peers, state, or peer status, use one or more of the privileged EXEC commands in [Table 45-1](#):

**Table 45-1** Commands for Monitoring and Maintaining MSDP

Command	Purpose
<b>debug ip msdp</b> [ <i>peer-address</i>   <i>name</i> ] [ <b>detail</b> ] [ <b>routes</b> ]	Debugs an MSDP activity.
<b>debug ip msdp resets</b>	Debugs MSDP peer reset reasons.
<b>show ip msdp count</b> [ <i>autonomous-system-number</i> ]	Displays the number of sources and groups originated in SA messages from each autonomous system. The <b>ip msdp cache-sa-state</b> command must be configured for this command to produce any output.
<b>show ip msdp peer</b> [ <i>peer-address</i>   <i>name</i> ]	Displays detailed information about an MSDP peer.
<b>show ip msdp sa-cache</b> [ <i>group-address</i>   <i>source-address</i>   <i>group-name</i>   <i>source-name</i> ] [ <i>autonomous-system-number</i> ]	Displays (S,G) state learned from MSDP peers.
<b>show ip msdp summary</b>	Displays MSDP peer status and SA message counts.

To clear MSDP connections, statistics, or SA cache entries, use the privileged EXEC commands in [Table 45-2](#):

Table 45-2 Commands for Clearing MSDP Connections, Statistics, or SA Cache Entries

Command	Purpose
<b>clear ip msdp peer</b> <i>peer-address</i>   <i>name</i>	Clears the TCP connection to the specified MSDP peer, resetting all MSDP message counters.
<b>clear ip msdp statistics</b> [ <i>peer-address</i>   <i>name</i> ]	Clears statistics counters for one or all the MSDP peers without resetting the sessions.
<b>clear ip msdp sa-cache</b> [ <i>group-address</i>   <i>name</i> ]	Clears the SA cache entries for all entries, all sources for a specific group, or all entries for a specific source/group pair.





# CHAPTER 46

## Troubleshooting

---

This chapter describes how to identify and resolve software problems related to the Cisco IOS software on the Cisco ME 3400E switch.

You can use the command-line interface (CLI) to identify and solve problems.

Additional troubleshooting information related to hardware is provided in the hardware installation guide.



**Note**

---

For complete syntax and usage information for the commands used in this chapter, see the command reference for this release and the *Cisco IOS Command Summary, Release 12.2*.

---

- [Recovering from a Software Failure, page 2](#)
- [Recovering from a Lost or Forgotten Password, page 3](#)



---

**Note** Recovery procedures require that you have physical access to the switch.

---

- [Preventing Autonegotiation Mismatches, page 8](#)
- [SFP Module Security and Identification, page 8](#)
- [Monitoring SFP Module Status, page 9](#)
- [Monitoring Temperature, page 9](#)
- 
- [Using Ping, page 9](#)
- [Using Layer 2 Traceroute, page 13](#)
- [Using IP Traceroute, page 14](#)
- [Using TDR, page 46-16](#)
- [Using Debug Commands, page 17](#)
- [Using the show platform forward Command, page 19](#)
- [Using the crashinfo File, page 21](#)
- [Using On-Board Failure Logging, page 21](#)

# Recovering from a Software Failure

Switch software can be corrupted during an upgrade, by downloading the wrong file to the switch, and by deleting the image file. In all of these cases, the switch does not pass the power-on self-test (POST), and there is no connectivity.

This procedure uses boot loader commands and TFTP to recover from a corrupted or wrong image file. The recovery procedure requires that you have physical access to the switch.

**Step 1** From your PC, download the software image tar file (*image\_filename.tar*) from Cisco.com.

The Cisco IOS image is stored as a bin file in a directory in the tar file. For information about locating the software image files on Cisco.com, see the release notes.

**Step 2** Extract the bin file from the tar file.

- If you are using Windows, use a zip program that can read a tar file. Use the zip program to navigate to and extract the bin file.
- If you are using UNIX, follow these steps:

1. Display the contents of the tar file by using the **tar -tvf <image\_filename.tar>** UNIX command.

```
switch% tar -tvf image_filename.tar
```

2. Locate the bin file, and extract it by using the **tar -xvf <image\_filename.tar> <image\_filename.bin>** UNIX command.

```
switch% tar -xvf image_filename.tar image_filename.bin
x image_filename/image_filename.bin, 3970586 bytes, 7756 tape blocks
```

3. Verify that the bin file was extracted by using the **ls -l <image\_filename.bin>** UNIX command.

```
switch% ls -l image_filename.bin
-rw-r--r--  1 bobas      3970586 Apr 21 12:00 image_filename/image_filename.bin
```

**Step 3** Connect your PC to the switch Ethernet management port.

**Step 4** Unplug the switch power cord.

**Step 5** Press the **Mode** button, and at the same time, reconnect the power cord to the switch.

You can release the **Mode** button a second or two after the LED above port 1 goes off. Several lines of information about the software appear with instructions:

```
The system has been interrupted prior to initializing the flash file system. The
following commands will initialize the flash file system, and finish loading the
operating system software#
```

```
flash_init
boot
```

**Step 6** Initialize the flash file system:

```
switch: flash_init
```

**Step 7** Connect the switch to a TFTP server through the Ethernet management port.

**Step 8** Start the file transfer by using TFTP.

- a. Specify the IP address of the TFTP server:

```
switch: set ip_addr ip_address/mask
```

- b. Specify the default router:

```
switch: set default_router ip_address
```

**Step 9** Copy the software image from the TFTP server to the switch:

```
switch: copy tftp://ip_address/filesystem:/source-file-url flash:image_filename.bin
```

**Step 10** Boot up the newly downloaded Cisco IOS image.

```
switch: boot flash:image_filename.bin
```

**Step 11** Use the **archive download-sw** privileged EXEC command to download the software image to the switch or to the switch stack.

**Step 12** Use the **reload** privileged EXEC command to restart the switch and to verify that the new software image is operating properly.

**Step 13** Delete the `flash:image_filename.bin` file from the switch.

---

## Recovering from a Lost or Forgotten Password

The default configuration for the switch allows an end user to recover from a lost password by interrupting the boot process during power-on and by entering a new password.



### Note

On these switches, a system administrator can disable some of the functionality of password recovery by allowing an end user to reset a password only by agreeing to return to the default configuration. If you are an end user trying to reset a password when password recovery has been disabled, a status message shows this during the recovery process.

Disabling password recovery provides configuration file security by preventing unauthorized users from accessing the configuration file.

---

The Cisco ME switch boot loader uses break-key detection to stop the automatic boot sequence for the password recovery purpose.



### Note

The break key character is different for each operating system.

On a SUN work station running UNIX, Ctrl-C is the break key.

On a PC running Windows XP or 2000, Ctrl-Break is the break key.

Cisco TAC has tabulated break keys for most common operating systems and an alternative *break key sequence* for those terminal emulators that do not support the break keys. To see that list go to:

<http://www.cisco.com/warp/public/701/61.html#how-to>

---

These sections describes how to recover a forgotten or lost switch password:

- [Procedure with Password Recovery Enabled, page 4](#)
- [Procedure with Password Recovery Disabled, page 6](#)

You enable or disable password recovery by using the **service password-recovery** global configuration command.

Follow the steps in this procedure if you have forgotten or lost the switch password.

- 
- Step 1** Connect a terminal or PC with terminal-emulation software to the switch console port.
- Step 2** Set the line speed on the emulation software to 9600 baud.
- Step 3** Power off the switch.  
Reconnect the power cord to the switch.
- Step 4** After the switch performs POST, the switch begins the autoboot process. The boot loader prompts the user for a break key character during the boot-up sequence, as shown in this example:

```
***** The system will autoboot in 5 seconds *****
```

Send a break key to prevent autobooting.

You must enter the break key on the console terminal within 5 seconds of receiving the message that the system will autoboot. The System LED flashes green until the break key is accepted. After the break key is accepted, the System LED turns off until after the switch boots.

Several lines of information about the software appear with instructions, informing you if the password recovery procedure has been disabled or not.

- If you see a message that begins with this:

```
The system has been interrupted, or encountered an error during initialization of the
flash filesystem. The following commands will initialize the flash filesystem, and
finish loading the operating system software:
```

```
flash_init
load_helper
boot
```

proceed to the [“Procedure with Password Recovery Enabled”](#) section on page 4, and follow the steps.

- If you see a message that begins with this:

```
The password-recovery mechanism has been triggered, but is currently disabled.
```

proceed to the [“Procedure with Password Recovery Disabled”](#) section on page 6, and follow the steps.

- Step 5** After recovering the password, reload the switch:

```
Switch> reload
Proceed with reload? [confirm] y
```

---

## Procedure with Password Recovery Enabled

If the password-recovery mechanism is enabled, this message appears:

```
The system has been interrupted, or encountered an error during initialization of the flash
filesystem. The following commands will initialize the flash filesystem, and finish
loading the operating system software:
```

```
flash_init
load_helper
boot
```

**Step 1** Initialize the flash file system:

```
switch: flash_init
```

**Step 2** If you had set the console port speed to anything other than 9600, it has been reset to that particular speed. Change the emulation software line speed to match that of the switch console port.

**Step 3** Load any helper files:

```
switch: load_helper
```

**Step 4** Display the contents of flash memory:

```
switch: dir flash:
```

The switch file system appears:

```
Directory of flash:
```

```
 13 drwx          192  Mar 01 1993 22:30:48 image-name-mz.122-50-EX
 11 -rwx          5825  Mar 01 1993 22:31:59 config.text
 18 -rwx           720  Mar 01 1993 02:21:30 vlan.dat
```

```
16128000 bytes total (10003456 bytes free)
```

**Step 5** Rename the configuration file to config.text.old.

This file contains the password definition.

```
switch: rename flash:config.text flash:config.text.old
```

**Step 6** Boot the system:

```
switch: boot
```

You are prompted to start the setup program. Enter **N** at the prompt:

```
Continue with the configuration dialog? [yes/no]: N
```

**Step 7** At the switch prompt, enter privileged EXEC mode:

```
Switch> enable
```

**Step 8** Rename the configuration file to its original name:

```
Switch# rename flash:config.text.old flash:config.text
```

**Step 9** Copy the configuration file into memory:

```
Switch# copy flash:config.text system:running-config
Source filename [config.text]?
Destination filename [running-config]?
```

Press **Return** in response to the confirmation prompts.

The configuration file is now reloaded, and you can change the password.

**Step 10** Enter global configuration mode:

```
Switch# configure terminal
```

**Step 11** Change the password:

```
Switch (config)# enable secret password
```

The secret password can be from 1 to 25 alphanumeric characters, can start with a number, is case sensitive, and allows spaces but ignores leading spaces.

**Step 12** Return to privileged EXEC mode:

```
Switch (config)# exit
Switch#
```

**Step 13** Write the running configuration to the startup configuration file:

```
Switch# copy running-config startup-config
```

The new password is now in the startup configuration.



**Note** This procedure is likely to leave your switch virtual interface in a shutdown state. You can identify this interface by entering the **show running-config** privileged EXEC command. To re-enable the interface, enter the **interface vlan *vlan-id*** global configuration command, and specify the VLAN ID of the shutdown interface. With the switch in interface configuration mode, enter the **no shutdown** command.

**Step 14** Reload the switch:

```
Switch# reload
```

## Procedure with Password Recovery Disabled

If the password-recovery mechanism is disabled, this message appears:

```
The password-recovery mechanism has been triggered, but
is currently disabled. Access to the boot loader prompt
through the password-recovery mechanism is disallowed at
this point. However, if you agree to let the system be
reset back to the default system configuration, access
to the boot loader prompt can still be allowed.
```

```
Would you like to reset the system back to the default configuration (y/n)?
```



### Caution

Returning the switch to the default configuration results in the loss of all existing configurations. We recommend that you contact your system administrator to verify if there are backup switch and VLAN configuration files.



### Note

Disabling password recovery provides configuration file security by preventing unauthorized users from accessing the configuration file.

- If you enter **n** (no), the normal boot process continues as if the **break key** had not been pressed; you cannot access the boot loader prompt, and you cannot enter a new password. You see the message:  

```
Press Enter to continue.....
```
- If you enter **y** (yes), the configuration file in flash memory and the VLAN database file are deleted. When the default configuration loads, you can reset the password.

**Step 1** Elect to continue with password recovery and lose the existing configuration:

```
Would you like to reset the system back to the default configuration (y/n)? y
```

**Step 2** Load any helper files:

```
Switch: load_helper
```

**Step 3** Display the contents of flash memory:

```
switch: dir flash:
```

The switch file system appears:

```
Directory of flash:
13 drwx          192   Mar 01 1993 22:30:48 image-name-mz.122-50-SE

16128000 bytes total (10003456 bytes free)
```

**Step 4** Boot the system:

```
Switch: boot
```

You are prompted to start the setup program. To continue with password recovery, enter **N** at the prompt:

```
Continue with the configuration dialog? [yes/no]: N
```

**Step 5** At the switch prompt, enter privileged EXEC mode:

```
Switch> enable
```

**Step 6** Enter global configuration mode:

```
Switch# configure terminal
```

**Step 7** Change the password:

```
Switch (config)# enable secret password
```

The secret password can be from 1 to 25 alphanumeric characters, can start with a number, is case sensitive, and allows spaces but ignores leading spaces.

**Step 8** Return to privileged EXEC mode:

```
Switch (config)# exit
Switch#
```

**Step 9** Write the running configuration to the startup configuration file:

```
Switch# copy running-config startup-config
```

The new password is now in the startup configuration.



---

**Note** This procedure is likely to leave your switch virtual interface in a shutdown state. You can identify this interface by entering the **show running-config** privileged EXEC command. To re-enable the interface, enter the **interface vlan *vlan-id*** global configuration command, and specify the VLAN ID of the shutdown interface. With the switch in interface configuration mode, enter the **no shutdown** command.

---

**Step 10** You must now reconfigure the switch. If the system administrator has the backup switch and VLAN configuration files available, you should use those.

---

## Preventing Autonegotiation Mismatches

The IEEE 802.3ab autonegotiation protocol manages the switch settings for speed (10, 100, and 1000 Mbps, excluding SFP module ports) and duplex (half or full). There are situations when this protocol can incorrectly align these settings, reducing performance. A mismatch occurs under these circumstances:

- A manually set speed or duplex parameter is different from the manually set speed or duplex parameter on the connected port.
- A port is set to autonegotiate, and the connected port is set to full duplex with no autonegotiation.

To maximize switch performance and ensure a link, follow one of these guidelines when changing the settings for duplex and speed:

- Let both ports autonegotiate both speed and duplex.
- Manually set the speed and duplex parameters for the ports on both ends of the connection.



### Note

If a remote device does not autonegotiate, configure the duplex settings on the two ports to match. The speed parameter can adjust itself even if the connected port does not autonegotiate.

## SFP Module Security and Identification

Cisco small form-factor pluggable (SFP) modules have a serial EEPROM that contains the module serial number, the vendor name and ID, a unique security code, and cyclic redundancy check (CRC). When an SFP module is inserted in the switch, the switch software reads the EEPROM to verify the serial number, vendor name and vendor ID, and recompute the security code and CRC. If the serial number, the vendor name or vendor ID, the security code, or CRC is invalid, the software generates a security error message and places the interface in an error-disabled state.



### Note

The security error message references the GBIC\_SECURITY facility. The switch supports SFP modules and does not support GBIC modules. Although the error message text refers to GBIC interfaces and modules, the security messages actually refer to the SFP modules and module interfaces. For more information about error messages, see the system message guide for this release.

If you are using a non-Cisco SFP module, remove the SFP module from the switch, and replace it with a Cisco module. After inserting a Cisco SFP module, use the **errdisable recovery cause gbic-invalid** global configuration command to verify the port status, and enter a time interval for recovering from the error-disabled state. After the elapsed interval, the switch brings the interface out of the error-disabled state and retries the operation. For more information about the **errdisable recovery** command, see the command reference for this release.

If the module is identified as a Cisco SFP module, but the system is unable to read vendor-data information to verify its accuracy, an SFP module error message is generated. In this case, you should remove and re-insert the SFP module. If it continues to fail, the SFP module might be defective.



# Monitoring SFP Module Status

You can check the physical or operational status of an SFP module by using the **show interfaces transceiver** privileged EXEC command. This command shows the operational status, such as the temperature and the current for an SFP module on a specific interface and the alarm status. You can also use the command to check the speed and the duplex settings on an SFP module. For more information, see the **show interfaces transceiver** command in the command reference for this release.

## Monitoring Temperature

The Cisco ME switch monitors the temperature conditions. The switch also uses the temperature information to control the fans. The temperature value is the temperature in the switch (not the external temperature). Enter the **show env temperature** privileged EXEC command to see if the temperature is okay or faulty.

The **show env all** command displays the temperature value, state, and thresholds.

This is an example of the output from the **show env temperature** command:

```
Switch# show env temperature
TEMPERATURE is OK
```

This is an example of the output from the **show env all** command:

```
Switch# show env all
FAN PS 1 is OK
FAN PS 2 is OK
TEMPERATURE is OK
Temperature Value: 23 Degree Celsius
Temperature State: GREEN
Yellow Threshold : 66 Degree Celsius
Red Threshold    : 74 Degree Celsius
POWER SUPPLY 1 is DC OK
POWER SUPPLY 2 is DC OK

ALARM CONTACT 1 is not asserted
ALARM CONTACT 2 is not asserted
ALARM CONTACT 3 is not asserted
ALARM CONTACT 4 is not asserted
```

For more information, see the command reference for this release.

## Using Ping

These sections contain this information:

- [Understanding Ping, page 10](#)
- [Using Ping, page 9](#)

## Understanding Ping

The Cisco ME switch supports IP ping, which you can use to test connectivity to remote hosts. Ping sends an echo request packet to an address and waits for a reply.

The Cisco ME switch also provides the Control Plane Security feature, which by default drops ping response packets received on user network interfaces (UNIs) or enhanced network interfaces (ENIs). However, methods are available to ping successfully from the switch to a host connected to a UNI or ENI.

Control Plane Security does not drop ping response packets to or from network node interfaces (NNIs), and no special configuration is required to enable pings to or from hosts connected to NNIs.

## Using Ping

Beginning in privileged EXEC mode, use the **ping** command to ping another device on the network from the switch:

Command	Purpose
<b>ping</b> [ <i>host</i>   <i>address</i> ]	Ping a remote host by supplying the hostname or IP network address.  <b>Note</b> Though other protocol keywords are available with the <b>ping</b> command, they are not supported in this release.



### Note

Ping is not supported on a UNI or ENI configured as an IEEE 802.1Q tunnel port.

Ping is supported on NNIs on all software images.

It is important to note that the software images available for the switch provide different options for pinging a host connected to a UNI or ENI:

- Metro IP access image that supports IP routing
- Metro access image

The next sections apply to both access ports and trunk ports.

## All Software Versions

For all software images for the Cisco ME switch, you can use a Layer 3 service policy to enable pings from the switch to a host connected to a UNI or ENI.



### Note

For a switch running the metro IP access image, IP routing is not enabled by default and does not have to be enabled to use a Layer 3 service policy.

This example is one possible configuration:

```
switch# configure terminal
switch(config)# access list 101 permit ip any any
switch(config)# class-map match-any ping-class
switch(config-cmap)# match access-group 101
switch(config-cmap)# exit
switch(config)# policy-map ping-policy
switch(config-pmap)# class ping-class
switch(config-pmap-c)# police 1000000
switch(config-pmap-c)# exit
switch(config-pmap)# exit
switch(config)# int fa0/1
switch(config-if)# service-policy input ping-policy
switch(config-if)# switchport access vlan 2
switch(config-if)# no shut
switch(config-if)# exit
switch(config)# int vlan 2
switch(config-if)# ip address 192.168.1.1 255.255.255.0
switch(config-if)# end
switch# ping 192.168.1.2
```

## Metro IP Access Image

When your switch is running the metro IP access image, you can use any of these methods:

- Apply a Layer 3 service policy to a UNI or ENI.
- Enable IP routing globally and ping from a switch virtual interface (SVI).
- Enable IP routing and ping from a routed port.

For a sample configuration of how to add a Layer 3 service policy to a UNI or ENI, see the [“All Software Versions”](#) section.

For examples using IP routing and pinging from an SVI or a routed port, see the next sections.

## IP Routing and SVI

IP routing is only supported when the switch is running the metro IP access image.

You can use this configuration to enable IP routing and enable pings from an SVI to a host connected to a UNI or ENI.

```
Switch# configure terminal
Switch(config)# ip routing
Switch(config)# int fa0/1
Switch(config-if)# switchport access vlan 2
Switch(config-if)# no shutdown
Switch(config-if)# int vlan 2
Switch(config-if)# ip address 192.168.1.1 255.255.255.0
Switch(config-if)# end
Switch# ping 192.168.1.2
```

With this configuration, a host with an IP address of 192.168.1.2 can be pinged from the switch.

## IP Routing and Routed Port

You can use this configuration to enable IP routing, change a switchport to a routed port, and permit pings from the switch to a connected host:

```
switch# configure terminal
switch(config)# int fa0/1
switch(config-if)# no switchport
switch(config-if)# ip address 192.168.1.1 255.255.255.0
switch(config-if)# no shutdown
switch(config-if)# exit
switch(config)# ip routing
switch(config)# end
switch# ping 192.168.1.2
```

## Ping Responses

This response is typical of a successful ping to a host:

```
Switch# ping 72.20.52.3
Type escape sequence to abort.
Sending 5, 100-byte ICMP Echoes to 172.20.52.3, timeout is 2 seconds:
!!!!
Success rate is 100 percent (5/5), round-trip min/avg/max = 1/2/4 ms
Switch#
```

An unsuccessful ping results in this message:

```
Switch# ping 72.20.52.3
Type escape sequence to abort.
Sending 5, 100-byte ICMP Echoes to 172.20.52.3, timeout is 2 seconds:
. . . . .
Success rate is 0 percent (0/5)
```

## Summary

Keep these guidelines in mind while pinging:

- IP routing is available only with the metro IP access image and is disabled by default.
- To ping a host in a different IP subnetwork from the switch, you must have IP routing configured to route between the subnets, and a static route to the destination might also be appropriate. If you need to enable or configure IP routing, see [Chapter 36, “Configuring IP Unicast Routing.”](#)
- All software versions can use a Layer 3 service policy to permit pings to and from a host connected to a UNI or ENI. For more information about policy maps, see the [“Input and Output Policies” section on page 34-4.](#)

If your switch is running the metro IP access image, use one of these methods to ping a host connected to a UNI or ENI:

- Use a Layer 3 service policy to permit pings to and from a host connected to a UNI or ENI.
- Enable global IP routing and configure a port as a routed port by using the **no switchport** interface configuration command.
- Enable global IP routing, create an SVI, and assign an IP address to it. For more information about SVIs, see the [“Switch Virtual Interfaces” section on page 10-5.](#)

To end a ping session, simultaneously press and release the **Ctrl**, **Shift**, and **6** keys, and then press the **X** key.

# Using Layer 2 Traceroute

- [Understanding Layer 2 Traceroute, page 13](#)
- [Layer 2 Traceroute Usage Guidelines, page 13](#)
- [Displaying the Physical Path, page 14](#)

## Understanding Layer 2 Traceroute

The Layer 2 traceroute feature allows the switch to identify the physical path that a packet takes from a source device to a destination device. Layer 2 traceroute supports only unicast source and destination MAC addresses. It finds the path by using the MAC address tables of the switches in the path. When the switch detects a device in the path that does not support Layer 2 traceroute, the switch continues to send Layer 2 trace queries and lets them time out.

**Note**

---

Layer 2 traceroute is available only on NNIs.

---

The switch can only identify the path from the source device to the destination device. It cannot identify the path that a packet takes from source host to the source device or from the destination device to the destination host.

## Layer 2 Traceroute Usage Guidelines

- Cisco Discovery Protocol (CDP) must be enabled on all the devices in the network. For Layer 2 traceroute to function properly, do not disable CDP.

**Note**

---

CDP is enabled by default on NNIs. You can enable CDP on ENIs, but UNIs do not support CDP.

---

For a list of switches that support Layer 2 traceroute, see the [“Layer 2 Traceroute Usage Guidelines” section on page 13](#). If any devices in the physical path are transparent to CDP, the switch cannot identify the path through these devices. For more information about enabling CDP, see [Chapter 24, “Configuring CDP.”](#)

- A switch is reachable from another switch when you can test connectivity by using the **ping** privileged EXEC command. All switches in the physical path must be reachable from each other.
- The maximum number of hops identified in the path is ten.
- You can enter the **traceroute mac** or the **traceroute mac ip** privileged EXEC command on a switch that is not in the physical path from the source device to the destination device. All switches in the path must be reachable from this switch.
- The **traceroute mac** command output shows the Layer 2 path only when the specified source and destination MAC addresses belong to the same VLAN. If you specify source and destination MAC addresses that belong to different VLANs, the Layer 2 path is not identified, and an error message appears.
- If you specify a multicast source or destination MAC address, the path is not identified, and an error message appears.

- If the source or destination MAC address belongs to multiple VLANs, you must specify the VLAN to which both the source and destination MAC addresses belong. If the VLAN is not specified, the path is not identified, and an error message appears.
- The **traceroute mac ip** command output shows the Layer 2 path when the specified source and destination IP addresses belong to the same subnet. When you specify the IP addresses, the switch uses the Address Resolution Protocol (ARP) to associate the IP addresses with the corresponding MAC addresses and the VLAN IDs.
  - If an ARP entry exists for the specified IP address, the switch uses the associated MAC address and identifies the physical path.
  - If an ARP entry does not exist, the switch sends an ARP query and tries to resolve the IP address. If the IP address is not resolved, the path is not identified, and an error message appears.
- When multiple devices are attached to one port through hubs (for example, multiple CDP neighbors are detected on a port), the Layer 2 traceroute feature is not supported. When more than one CDP neighbor is detected on a port, the Layer 2 path is not identified, and an error message appears.
- This feature is not supported in Token Ring VLANs.

## Displaying the Physical Path

You can display the physical path that a packet takes from a source device to a destination device by using one of these privileged EXEC commands:

- **tracetroute mac** [**interface** *interface-id*] {*source-mac-address*} [**interface** *interface-id*] {*destination-mac-address*} [**vlan** *vlan-id*] [**detail**]
- **tracetroute mac ip** {*source-ip-address* / *source-hostname*} {*destination-ip-address* / *destination-hostname*} [**detail**]



### Note

---

Layer 2 traceroute is available only on NNIs.

---

For more information, see the command reference for this release.

## Using IP Traceroute

- [Understanding IP Traceroute, page 14](#)
- [Executing IP Traceroute, page 15](#)

## Understanding IP Traceroute

You can use IP traceroute to identify the path that packets take through the network on a hop-by-hop basis. The command output displays all network layer (Layer 3) devices, such as routers, that the traffic passes through on the way to the destination.

Your switches can participate as the source or destination of the **traceroute** privileged EXEC command and might or might not appear as a hop in the **traceroute** command output. If the switch is the destination of the traceroute, it is displayed as the final destination in the output. Intermediate switches do not show up in the output if they are only bridging the packet from one port to another within the same VLAN. However, if the intermediate switch is a multilayer switch that is routing a particular packet, this switch shows up as a hop in the output.

The **traceroute** privileged EXEC command uses the Time To Live (TTL) field in the IP header to cause routers and servers to generate specific return messages. Traceroute starts by sending a User Datagram Protocol (UDP) datagram to the destination host with the TTL field set to 1. If a router finds a TTL value of 1 or 0, it drops the datagram and sends an Internet Control Message Protocol (ICMP) time-to-live-exceeded message to the sender. Traceroute finds the address of the first hop by examining the source address field of this message.

To identify the next hop, traceroute sends a UDP packet with a TTL value of 2. The first router decrements the TTL field by 1 and sends the datagram to the next router. The second router sees a TTL value of 1, discards the datagram, and returns the time-to-live-exceeded message to the source. This process continues until the TTL is incremented to a value large enough for the datagram to reach the destination host (or until the maximum TTL is reached).

To learn when a datagram reaches its destination, traceroute sets the UDP destination port number in the datagram to a very large value that the destination host is unlikely to be using. When a host receives a datagram destined to itself containing a destination port number that is unused locally, it sends an ICMP *port-unreachable* error to the source. Because all errors except port-unreachable errors come from intermediate hops, the receipt of a port-unreachable error means that this message was sent by the destination port.

## Executing IP Traceroute

Beginning in privileged EXEC mode, follow this step to trace that the path packets take through the network:

Command	Purpose
<b>traceroute ip</b> <i>host</i>	Trace the path that packets take through the network.



### Note

Though other protocol keywords are available with the **traceroute** privileged EXEC command, they are not supported in this release.

This example shows how to perform a **traceroute** to an IP host:

```
Switch# traceroute ip 171.9.15.10

Type escape sequence to abort.
Tracing the route to 171.69.115.10

 1 172.2.52.1 0 msec 0 msec 4 msec
 2 172.2.1.203 12 msec 8 msec 0 msec
 3 171.9.16.6 4 msec 0 msec 0 msec
 4 171.9.4.5 0 msec 4 msec 0 msec
 5 171.9.121.34 0 msec 4 msec 4 msec
 6 171.9.15.9 120 msec 132 msec 128 msec
 7 171.9.15.10 132 msec 128 msec 128 msec
Switch#
```

The display shows the hop count, IP address of the router, and the round-trip time in milliseconds for each of the three probes that are sent.

**Table 46-1** Traceroute Output Display Characters

Character	Description
*	The probe timed out.
?	Unknown packet type.
A	Administratively unreachable. Usually, this output means that an access list is blocking traffic.
H	Host unreachable.
N	Network unreachable.
P	Protocol unreachable.
Q	Source quench.
U	Port unreachable.

To end a trace in progress, enter the escape sequence (**Ctrl-^ X** by default). Simultaneously press and release the **Ctrl**, **Shift**, and **6** keys, and then press the **X** key.

## Using TDR

- [Understanding TDR, page 16](#)
- [Running TDR and Displaying the Results, page 17](#)

## Understanding TDR

You can use the Time Domain Reflector (TDR) feature to diagnose and resolve cabling problems. When running TDR, a local device sends a signal through a cable and compares the reflected signal to the initial signal.

On the Cisco ME switch, TDR is supported only on the copper Ethernet 10/100 ports or on dual-purpose ports configured as 10/100/100 ports by using the RJ-45 connector.

TDR can detect these cabling problems:

- Open, broken, or cut twisted-pair wires—The wires are not connected to the wires from the remote device.
- Shorted twisted-pair wires—The wires are touching each other or the wires from the remote device. For example, a shorted twisted pair can occur if one wire of the twisted pair is soldered to the other wire.

If one of the twisted-pair wires is open, TDR can find the length at which the wire is open.



Use TDR to diagnose and resolve cabling problems in these situations:

- Replacing a switch
- Setting up a wiring closet
- Troubleshooting a connection between two devices when a link cannot be established or when it is not operating properly

## Running TDR and Displaying the Results

To run TDR, enter the **test cable-diagnostics tdr interface** *interface-id* privileged EXEC command:

To display the results, enter the **show cable-diagnostics tdr interface** *interface-id* privileged EXEC command. For a description of the fields in the display, see the command reference for this release.



Note

TDR is supported only on the copper Ethernet 10/100 ports or on dual-purpose ports configured as 10/100/100 ports by using the RJ-45 connector.

## Using Debug Commands

- [Enabling Debugging on a Specific Feature, page 17](#)
- [Enabling All-System Diagnostics, page 18](#)
- [Redirecting Debug and Error Message Output, page 18](#)



Caution

Because debugging output is assigned high priority in the CPU process, it can render the system unusable. For this reason, use **debug** commands only to troubleshoot specific problems or during troubleshooting sessions with Cisco technical support staff. It is best to use **debug** commands during periods of lower network traffic and fewer users. Debugging during these periods decreases the likelihood that increased **debug** command processing overhead will affect system use.



Note

For complete syntax and usage information for specific **debug** commands, see the command reference for this release.

## Enabling Debugging on a Specific Feature

All **debug** commands are entered in privileged EXEC mode, and most **debug** commands take no arguments. For example, beginning in privileged EXEC mode, enter this command to enable the debugging for Switched Port Analyzer (SPAN):

```
Switch# debug span-session
```

The switch continues to generate output until you enter the **no** form of the command.

If you enable a **debug** command and no output appears, consider these possibilities:

- The switch might not be properly configured to generate the type of traffic that you want to monitor. Use the **show running-config** command to check its configuration.

- Even if the switch is properly configured, it might not generate the type of traffic that you want to monitor during the particular period that debugging is enabled. Depending on the feature you are debugging, you can use commands such as the TCP/IP **ping** command to generate network traffic.

To disable debugging of SPAN, enter this command in privileged EXEC mode:

```
Switch# no debug span-session
```

Alternately, in privileged EXEC mode, you can enter the **undebug** form of the command:

```
Switch# undebug span-session
```

To display the state of each debugging option, enter this command in privileged EXEC mode:

```
Switch# show debugging
```

## Enabling All-System Diagnostics

Beginning in privileged EXEC mode, enter this command to enable all-system diagnostics:

```
Switch# debug all
```



### Caution

Because debugging output takes priority over other network traffic, and because the **debug all** privileged EXEC command generates more output than any other **debug** command, it can severely diminish switch performance or even render it unusable. In virtually all cases, it is best to use more specific **debug** commands.

The **no debug all** privileged EXEC command disables all diagnostic output. Using the **no debug all** command is a convenient way to ensure that you have not accidentally left any **debug** commands enabled.

## Redirecting Debug and Error Message Output

By default, the network server sends the output from **debug** commands and system error messages to the console. If you use this default, you can use a virtual terminal connection to monitor debug output instead of connecting to the console port.

Possible destinations include the console, virtual terminals, internal buffer, and UNIX hosts running a syslog server. The syslog format is compatible with 4.3 Berkeley Standard Distribution (BSD) UNIX and its derivatives.



### Note

Be aware that the debugging destination you use affects system overhead. Logging messages to the console produces very high overhead, whereas logging messages to a virtual terminal produces less overhead. Logging messages to a syslog server produces even less, and logging to an internal buffer produces the least overhead of any method.

For more information about system message logging, see [Chapter 29, “Configuring System Message Logging.”](#)

## Using the show platform forward Command

The output from the **show platform forward** privileged EXEC command provides some useful information about the forwarding results if a packet entering an interface is sent through the system. Depending upon the parameters entered about the packet, the output provides lookup table results and port maps used to calculate forwarding destinations, bitmaps, and egress information.



### Note

For more syntax and usage information for the **show platform forward** command, see the switch command reference for this release.

Most of the information in the output from the command is useful mainly for technical support personnel, who have access to detailed information about the switch ASICs. However, packet forwarding information can also be helpful in troubleshooting.

This is an example of the output from the **show platform forward** command on Gigabit Ethernet port 1 in VLAN 5 when the packet entering that port is addressed to unknown MAC addresses. The packet should be flooded to all other ports in VLAN 5.

```
Switch# show platform forward gigabitethernet0/1 vlan 5 1.1.1 2.2.2 ip 13.1.1.1 13.2.2.2
udp 10 20
Global Port Number:24, Asic Number:5
Src Real Vlan Id:5, Mapped Vlan Id:5

Ingress:
  Lookup                               Key-Used                               Index-Hit  A-Data
InptACL  40_0D020202_0D010101-00_40000014_000A0000    01FFA    03000000
L2Local  80_00050002_00020002-00_00000000_00000000    00C71    0000002B
Station Descriptor:02340000, DestIndex:0239, RewriteIndex:F005

=====
Egress:Asic 2, switch 1
Output Packets:

-----
Packet 1
  Lookup                               Key-Used                               Index-Hit  A-Data
OutptACL 50_0D020202_0D010101-00_40000014_000A0000    01FFE    03000000

Port      Vlan      SrcMac          DstMac          Cos  DscpV
Gi0/1     0005     0001.0001.0001  0002.0002.0002

-----
Packet 2
  Lookup                               Key-Used                               Index-Hit  A-Data
OutptACL 50_0D020202_0D010101-00_40000014_000A0000    01FFE    03000000

Port      Vlan      SrcMac          DstMac          Cos  DscpV
Gi0/2     0005     0001.0001.0001  0002.0002.0002

-----
<output truncated>
-----
Packet 10
  Lookup                               Key-Used                               Index-Hit  A-Data
OutptACL 50_0D020202_0D010101-00_40000014_000A0000    01FFE    03000000
Packet dropped due to failed DEJA_VU Check on Gi0/2
```

This is an example of the output when the packet coming in on Gigabit Ethernet port 1 in VLAN 5 is sent to an address already learned on the VLAN on another port. It should be forwarded from the port on which the address was learned.

```
Switch# show platform forward gigabitethernet0/1 vlan 5 1.1.1 0009.43a8.0145 ip 13.1.1.1
13.2.2.2 udp 10 20
Global Port Number:24, Asic Number:5
Src Real Vlan Id:5, Mapped Vlan Id:5

Ingress:
  Lookup                Key-Used                Index-Hit  A-Data
InptACL  40_0D020202_0D010101-00_40000014_000A0000    01FFA    03000000
L2Local  80_00050009_43A80145-00_00000000_00000000    00086    02010197
Station Descriptor:F0050003, DestIndex:F005, RewriteIndex:0003

=====
Egress:Asic 3, switch 1
Output Packets:

-----
Packet 1
  Lookup                Key-Used                Index-Hit  A-Data
OutptACL 50_0D020202_0D010101-00_40000014_000A0000    01FFE    03000000

Port      Vlan      SrcMac          DstMac          Cos  Dscpv
Gi0/2     0005     0001.0001.0001  0009.43A8.0145
```

This is an example of the output when the packet coming in on Gigabit Ethernet port 1 in VLAN 5 has a destination MAC address set to the router MAC address in VLAN 5 and the destination IP address unknown. Because there is no default route set, the packet should be dropped.

```
Switch# show platform forward gigabitethernet0/1 vlan 5 1.1.1 03.e319.ee44 ip 13.1.1.1
13.2.2.2 udp 10 20
Global Port Number:24, Asic Number:5
Src Real Vlan Id:5, Mapped Vlan Id:5

Ingress:
  Lookup                Key-Used                Index-Hit  A-Data
InptACL  40_0D020202_0D010101-00_41000014_000A0000    01FFA    03000000
L3Local  00_00000000_00000000-90_00001400_0D020202    010F0    01880290
L3Scndr  12_0D020202_0D010101-00_40000014_000A0000    034E0    000C001D_00000000
Lookup Used:Secondary
Station Descriptor:02260000, DestIndex:0226, RewriteIndex:0000
```

This is an example of the output when the packet coming in on Gigabit Ethernet port 1 in VLAN 5 has a destination MAC address set to the router MAC address in VLAN 5 and the destination IP address set to an IP address that is in the IP routing table. It should be forwarded as specified in the routing table.

```
Switch# show platform forward gigabitethernet0/1 vlan 5 1.1.1 03.e319.ee44 ip 110.1.5.5
16.1.10.5
Global Port Number:24, Asic Number:5
Src Real Vlan Id:5, Mapped Vlan Id:5

Ingress:
  Lookup                Key-Used                Index-Hit  A-Data
InptACL  40_10010A05_0A010505-00_41000014_000A0000    01FFA    03000000
L3Local  00_00000000_00000000-90_00001400_10010A05    010F0    01880290
L3Scndr  12_10010A05_0A010505-00_40000014_000A0000    01D28    30090001_00000000
Lookup Used:Secondary
Station Descriptor:F0070007, DestIndex:F007, RewriteIndex:0007
```

```

=====
Egress:Asic 3, switch 1
Output Packets:

-----
Packet 1
  Lookup                Key-Used                Index-Hit  A-Data
OutputACL 50_10010A05_0A010505-00_40000014_000A0000    01FFE    03000000

Port      Vlan      SrcMac          DstMac      Cos  Dscpv
Gi0/2     0007     XXXX.XXXX.0246  0009.43A8.0147

```

## Using the crashinfo File

The crashinfo file saves information that helps Cisco technical support representatives to debug problems that caused the Cisco IOS image to fail (crash). The switch writes the crash information to the console at the time of the failure, and the file is created the next time you boot the Cisco IOS image after the failure (instead of while the system is failing).

The information in the file includes the Cisco IOS image name and version that failed, a list of the processor registers, and a stack trace. You can provide this information to the Cisco technical support representative by using the **show tech-support** privileged EXEC command.

All crashinfo files are kept in this directory on the flash file system:

flash:/crashinfo/crashinfo\_*n* where *n* is a sequence number.

Each new crashinfo file that is created uses a sequence number that is larger than any previously existing sequence number, so the file with the largest sequence number describes the most recent failure. Version numbers are used instead of a timestamp because the switches do not include a real-time clock. You cannot change the name of the file that the system will use when it creates the file. However, after the file is created, you can use the **rename** privileged EXEC command to rename it, but the contents of the renamed file will not be displayed by the **show tech-support** privileged EXEC command. You can delete crashinfo files by using the **delete** privileged EXEC command.

You can display the most recent crashinfo file (that is, the file with the highest sequence number at the end of its filename) by entering the **show tech-support** privileged EXEC command. You also can access the file by using any command that can copy or display files, such as the **more** or the **copy** privileged EXEC command.

## Using On-Board Failure Logging

You can use the on-board-failure logging (OBFL) feature to collect information about the switch. The information includes uptime, temperature, and voltage information and helps Cisco technical support representatives to troubleshoot switch problems.

This section has this information:

- [Understanding OBFL, page 22](#)
- [Configuring OBFL, page 22](#)
- [Displaying OBFL Information, page 23](#)

## Understanding OBFL

By default, OBFL is enabled. It collects information about the switch and small form-factor pluggable (SFP) modules. The switch stores this information in the flash memory:

- CLI commands—Record of the OBFL CLI commands that are entered on a switch
- Environmental data—Unique device identifier (UDI) information for a switch and for all the connected devices: the product identification (PID), the version identification (VID), and the serial number
- Message—Record of the hardware-related system messages generated by a switch
- Temperature—Temperature of a switch
- Uptime data—Time when a switch starts, the reason the switch restarts, and the length of time the switch has been running since it last restarted
- Voltage—System voltages of a switch



### Note

---

The Cisco ME 3400EG-2CS-A switch does not support voltage monitoring.

---

You should manually set the system clock, or configure it by using Network Time Protocol (NTP).

When the switch is running, you can retrieve the OBFL data by using the **show logging onboard** privileged EXEC commands. If the switch fails, contact your Cisco technical support representative to find out how to retrieve the data.

When an OBFL-enabled switch is restarted, there is a 10-minute delay before logging of new data begins.

## Configuring OBFL

To enable OBFL, use the **hw-module module logging onboard [message level *level*]** global configuration command. Use the **message level *level*** parameter to specify the severity of the hardware-related messages that the switch generates and stores in the flash memory.

To copy the OBFL data to the local network or a specific file system, use the **copy logging onboard module 1 *destination*** privileged EXEC command.



### Caution

---

We recommend that you keep OBFL enabled and that you do not remove the data stored in the flash memory.

---

Beginning in privileged EXEC mode, follow these steps to enable and configure OBFL. Note that OBFL is enabled by default; you need to enable it only if it has been disabled.

	Command	Purpose
Step 1	<b>configure terminal</b>	Enter global configuration mode.
Step 2	<b>hw-module module</b> [ <i>slot-number</i> ] <b>logging onboard</b> [ <b>message level</b> ]	Enable OBFL on the switch. You can specify these optional parameters: <ul style="list-style-type: none"> <li>(Optional) <i>slot-number</i>—The slot number is always 1 and is not relevant for the ME-3400E.</li> <li>(Optional) <b>message level</b>—Specify the severity level of messages to be generated and stored. The range is from 1 to 7, with 1 being the most severe.</li> </ul>
Step 3	<b>end</b>	Return to privileged EXEC mode.
Step 4	<b>copy logging onboard module</b> [ <i>slot-number</i> ] <i>destination</i>	(Optional) Copy the OBFL data to the local network or a specific file system. <ul style="list-style-type: none"> <li>(Optional) <i>slot-number</i>—The slot number is always 1 and is not relevant for the ME-3400E.</li> <li><i>destination</i>—See the <b>copy logging onboard module</b> command for destination options.</li> </ul>
Step 5	<b>show logging onboard</b>	Verify your entries.
Step 6	<b>copy running-config startup-config</b>	(Optional) Save your entries in the configuration file.

To disable OBFL, use the **no hw-module module 1 logging onboard** [**message level**] global configuration command.

To clear all the OBFL data in the flash memory except for the uptime and CLI command information, use the **clear logging onboard** privileged EXEC command.

For more information about the commands in this section, see the command reference for this release.

## Displaying OBFL Information

To display the OBFL information, use one or more of the privileged EXEC commands in [Table 46-2](#).



### Note

When an OBFL-enabled switch is restarted, there is a 10-minute delay before logging of new data begins.

**Table 46-2** Commands for Displaying OBFL Information

Command	Purpose
<b>show logging onboard clilog</b>	Display the OBFL CLI commands that were entered on a switch.
<b>show logging onboard environment</b>	Display the UDI information for a standalone switch and for all the connected FRU devices: the PID, the VID, and the serial number.
<b>show logging onboard message</b>	Display the hardware-related messages generated by a switch.

Table 46-2 Commands for Displaying OBFL Information (continued)

Command	Purpose
<b>show logging onboard temperature</b>	Display the temperature of a switch.
<b>show logging onboard uptime</b>	Display the time when a switch starts, the reason the switch restarts, and the length of time that the switch has been running since it last restarted.
<b>show logging onboard voltage</b>	Display the system voltages of a switch.

These are examples of output from the show logging onboard commands:

```
Switch# show logging onboard clilog
-----
CLI LOGGING SUMMARY INFORMATION
-----
COUNT COMMAND
-----
  1 hw-module module logging onboard
  1 hw-module module logging onboard message level 7
  4 show logging onboard
  1 show logging onboard message
  1 show logging onboard summary
-----
```

```
Switch# show logging onboard temp
-----
TEMPERATURE SUMMARY INFORMATION
-----
Number of sensors      : 1
Sampling frequency    : 5 minutes
Maximum time of storage : 720 minutes
-----
Sensor                | ID | Maximum Temperature 0C
-----
System                | 1  | 41
-----
Temp                  Sensor ID
0C                    1
-----
No historical data to display
-----
```

```
Switch# show logging onboard uptime
-----
UPTIME SUMMARY INFORMATION
-----
First customer power on : 03/01/1993 00:06:06
Total uptime           : 0 years 20 weeks 4 days 6 hours 20 minutes
Total downtime         : 0 years 0 weeks 0 days 0 hours 0 minutes
Number of resets       : 90
Number of slot changes : 0
Current reset reason    : 0x0
Current reset timestamp : 03/01/1993 00:05:43
Current slot           : 1
Current uptime         : 0 years 0 weeks 2 days 6 hours 0 minutes
-----
Reset |      |
Reason | Count |
-----
No historical data to display
-----
```



```
Switch# show logging onboard voltage
```

```
-----  
VOLTAGE SUMMARY INFORMATION  
-----
```

```
Number of sensors      : 6  
Sampling frequency    : 1 minutes  
Maximum time of storage : 720 minutes  
-----
```

Sensor	ID	Maximum Voltage
12.00V	0	12.567
1.25V	2	1.258
3.30V	3	3.305
2.50V	4	2.517
1.80V	5	1.825
1.50V	6	1.508

```
-----
```

```
Nominal Range          Sensor ID  
-----
```

```
No historical data to display  
-----
```

For more information about using the commands in [Table 46-2](#) and for examples of OBFL data, see the command reference for this release.





# CHAPTER 47

## Configuring Online Diagnostics

This chapter describes how to configure the online diagnostics on the Cisco ME 3400E switch.



### Note

For complete syntax and usage information for the commands used in this chapter, see the command reference for this release.

- [Understanding Online Diagnostics, page 47-1](#)
- [Configuring Online Diagnostics, page 47-2](#)
- [Running Online Diagnostic Tests, page 47-5](#)

## Understanding Online Diagnostics

With online diagnostics, you can test and verify the hardware functionality of the switch while the switch is connected to a live network. The online diagnostics contain packet switching tests that monitor different hardware components and verify the data path and the control signals.

The online diagnostics detect problems in these areas:

- Hardware components
- Interfaces (Ethernet ports and so forth)
- Solder joints

[Table 47-1](#) lists the diagnostic test IDs and names. For information about test attributes, see the output from the **show diagnostic content** privileged EXEC command.

**Table 47-1** Diagnostic Tests

Test ID Number	Test Name
1	TestPortAsicStackPortLoopback
2	TestPortAsicLoopback
3	TestPortAsicCam
4	TestPortAsicRingLoopback
5	TestMicRingLoopback
6	TestPortAsicMem

Online diagnostics are categorized as on-demand, scheduled, or health-monitoring diagnostics.

- On-demand diagnostics run from the CLI.
- Scheduled diagnostics run at user-designated intervals or at specified times when the switch is connected to a live network.
- Health-monitoring runs in the background.

## Configuring Online Diagnostics

You must configure the failure threshold and the interval between tests before enabling diagnostic monitoring.

- [Scheduling Online Diagnostics, page 47-2](#)
- [Configuring Health-Monitoring Diagnostics, page 47-3](#)

## Scheduling Online Diagnostics

You can schedule online diagnostics to run at a designated time of day or on a daily, weekly, or monthly basis. Use the **no** form of this command to remove the scheduling. For detailed information about this command, see the command reference for this release.

Beginning in privileged EXEC mode, follow these steps to schedule online diagnostics:

	Command	Purpose
Step 1	<b>configure terminal</b>	Enter global configuration mode.
Step 2	<b>diagnostic schedule test</b> { <i>name</i>   <i>test-id</i>   <i>test-id-range</i>   <b>all</b>   <b>basic</b>   <b>non-disruptive</b> } { <b>daily</b> <i>hh:mm</i>   <b>on</b> <i>mm dd yyyy hh:mm</i>   <b>weekly</b> <i>day-of-week hh:mm</i> }	<p>Schedule on-demand diagnostic tests for a specific day and time.</p> <p>When specifying the tests to be scheduled, use these options:</p> <ul style="list-style-type: none"> <li>• <i>name</i>—Name of the test that appears in the <b>show diagnostic content</b> command output. See <a href="#">Table 47-1</a>.</li> <li>• <i>test-id</i>—ID number of the test that appears in the <b>show diagnostic content</b> command output. See <a href="#">Table 47-1</a>.</li> <li>• <i>test-id-range</i>—A range of test ID numbers separated by a hyphen or commas.</li> <li>• <b>all</b>—All of the diagnostic tests.</li> <li>• <b>basic</b>—Basic on-demand diagnostic tests.</li> <li>• <b>non-disruptive</b>—Nondisruptive health-monitoring tests.</li> </ul> <p>You can schedule the tests for these time periods:</p> <ul style="list-style-type: none"> <li>• Daily—Use the <b>daily</b> <i>hh:mm</i> parameter.</li> <li>• Specific day and time—Use the <b>on</b> <i>mm dd yyyy hh:mm</i> parameter.</li> <li>• Weekly—Use the <b>weekly</b> <i>day-of-week hh:mm</i> parameter.</li> </ul>

	Command	Purpose
Step 3	<b>show diagnostic {content   schedule}</b>	Verify the configured online diagnostic tests and schedule. <ul style="list-style-type: none"> <li>• Enter <b>show diagnostic content</b> to display the configured online diagnostics.</li> <li>• Enter <b>show diagnostic schedule</b> to display the online diagnostics test schedule.</li> </ul>
Step 4	<b>copy running-config startup-config</b>	(Optional) Save your entries in the configuration file.

Use the **no diagnostic schedule test {name | test-id | test-id-range | all | basic | non-disruptive} {daily hh:mm | on mm dd yyyy hh:mm | weekly day-of-week hh:mm}** global configuration command to remove the scheduled tests.

This example shows how to schedule diagnostic testing for a specific day and time and verify the schedule:

```
Switch(config)# diagnostic schedule test 1 on Dec 4 2008 10:22
Switch(config)# end
Switch# show diagnostic schedule
Current Time = 10:21:24 UTC Thu Dec 4 2008
```

Diagnostic:

```
Schedule #1:
    To be run on December 4 2008 10:22
    Test ID(s) to be executed: 1.
```

At the scheduled time, the switch runs the test:

```
Switch# #
Dec 4 10:21:59.492: %DIAG-6-SCHED_RUNNING: : Performing Scheduled Online Diagnostic...
Dec 4 10:21:59.492: %DIAG-6-TEST_RUNNING: : Running TestPortAsicStackPortLoopback{ID=1} ..
Dec 4 10:22:00.498: %DIAG-6-TEST_OK: : TestPortAsicStackPortLoopback{ID=1} has completed
successfully
Dec 4 10:22:00.498: %DIAG-6-SCHED_COMPLETE: : Scheduled Online Diagnostic is completed
```

For more examples, see the “Examples” section for the **diagnostic schedule test** command in the command reference for this release.

## Configuring Health-Monitoring Diagnostics

You can configure health-monitoring diagnostic testing while a switch is connected to a live network. You can configure the execution interval for each health-monitoring test, enable the switch to generate a syslog message because of a test failure, and enable a specific test.

By default, health monitoring is disabled. When enabled, the switch generates a syslog message when a test fails.

Beginning in privileged EXEC mode, follow these steps to configure and enable the health-monitoring diagnostic tests:

	Command	Purpose
Step 1	<b>configure terminal</b>	Enter global configuration mode.
Step 2	<b>diagnostic monitor interval test</b> { <i>name</i>   <i>test-id</i>   <i>test-id-range</i>   <b>all</b> } <i>hh:mm:ss milliseconds day</i>	Configure the health-monitoring interval of the specified tests. Specify the tests by using one of these parameters: <ul style="list-style-type: none"> <li><i>name</i>—Name of the test that appears in the <b>show diagnostic content</b> command output. See <a href="#">Table 47-1</a>.</li> <li><i>test-id</i>—ID number of the test that appears in the <b>show diagnostic content</b> command output. See <a href="#">Table 47-1</a>.</li> <li><i>test-id-range</i>—A range of test ID numbers separated by a hyphen or commas.</li> <li><b>all</b>—All of the diagnostic tests.</li> </ul> When specifying the interval, set these parameters: <ul style="list-style-type: none"> <li><i>hh:mm:ss</i>—Monitoring interval in hours, minutes, and seconds. The range for <i>hh</i> is 0 to 24, and the range for <i>mm</i> and <i>ss</i> is 0 to 60.</li> <li><i>milliseconds</i>—Monitoring interval in milliseconds (ms). The range is from 0 to 999.</li> <li><i>day</i>—Monitoring interval in number of days. The range is from 0 to 20.</li> </ul>
Step 3	<b>diagnostic monitor syslog</b>	(Optional) Configure the switch to generate a syslog message when a health-monitoring test fails.
Step 4	<b>diagnostic monitor threshold test</b> { <i>name</i>   <i>test-id</i>   <i>test-id-range</i>   <b>all</b> } <b>failure count</b> <i>count</i>	(Optional) Set the failure threshold for the health-monitoring tests. Specify the tests by using one of these parameters: <ul style="list-style-type: none"> <li><i>name</i>—Name of the test that appears in the <b>show diagnostic content</b> command output. See <a href="#">Table 47-1</a>.</li> <li><i>test-id</i>—ID number of the test that appears in the <b>show diagnostic content</b> command output. See <a href="#">Table 47-1</a>.</li> <li><i>test-id-range</i>—A range of test ID numbers separated by a hyphen or commas.</li> <li><b>all</b>—All of the diagnostic tests.</li> </ul> The range for the failure threshold <i>count</i> is 0 to 99.
Step 5	<b>diagnostic monitor test</b> { <i>name</i>   <i>test-id</i>   <i>test-id-range</i>   <b>all</b> }	Enable the specified health-monitoring tests. Specify the tests by using one of these parameters: <ul style="list-style-type: none"> <li><i>name</i>—Name of the test that appears in the <b>show diagnostic content</b> command output. See <a href="#">Table 47-1</a>.</li> <li><i>test-id</i>—ID number of the test that appears in the <b>show diagnostic content</b> command output. See <a href="#">Table 47-1</a>.</li> <li><i>test-id-range</i>—ID numbers of the tests that appear in the <b>show diagnostic content</b> command output.</li> <li><b>all</b>—All of the diagnostic tests.</li> </ul>

	Command	Purpose
Step 6	<b>end</b>	Return to privileged EXEC mode.
Step 7	<b>show diagnostic</b> { <b>content</b>   <b>post</b>   <b>result</b>   <b>schedule</b>   <b>status</b>   <b>switch</b> }	Display the online diagnostic test results and the supported test suites. See the “ <a href="#">Displaying Online Diagnostic Tests and Results</a> ” section on page 47-6 for more information.
Step 8	<b>show running-config</b>	Verify your entries.
Step 9	<b>copy running-config startup-config</b>	(Optional) Save your entries in the configuration file.

To disable diagnostic testing and return to the default settings, use these commands:

- To disable online diagnostic testing, use the **no diagnostic monitor test** { *name* | *test-id* | *test-id-range* | **all** } global configuration command.
- To return to the default health-monitoring interval, use the **no diagnostic monitor interval test** { *name* | *test-id* | *test-id-range* | **all** } global configuration command.
- To configure the switch to not generate a syslog message when the health-monitoring test fails, use the **no diagnostic monitor syslog** global configuration command.
- To return to the default failure threshold, use the **no diagnostic monitor threshold test** { *name* | *test-id* | *test-id-range* | **all** } **failure count** *count* global configuration command.

This example shows how to configure a health-monitoring test:

```
Switch(config)# diagnostic monitor threshold test 1 failure count 50
Switch(config)# diagnostic monitor interval test TestPortAsicRingLoopback
```

## Running Online Diagnostic Tests

After you configure online diagnostics, you can manually start diagnostic tests or display the test results. You can also see the tests configured for the switch and the tests that have already run.

- [Starting Online Diagnostic Tests, page 47-5](#)
- [Displaying Online Diagnostic Tests and Results, page 47-6](#)

## Starting Online Diagnostic Tests

After you configure diagnostic tests to run on the switch, use the **diagnostic start** privileged EXEC command to begin diagnostic testing.



### Note

After starting the tests, you cannot stop the testing process.

Command	Purpose
<b>diagnostic start test</b> { <i>name</i>   <i>test-id</i>   <i>test-id-range</i>   <b>all</b>   <b>basic</b>   <b>non-disruptive</b> }	<p>Start the diagnostic tests.</p> <p>Specify the tests by using one of these parameters:</p> <ul style="list-style-type: none"> <li>• <i>name</i>—Enter the name of the test. Use the <b>show diagnostic content</b> privileged EXEC command to display the test ID list. See <a href="#">Table 47-1</a>.</li> <li>• <i>test-id</i>—Enter the ID number of the test. Use the <b>show diagnostic content</b> privileged EXEC command to display the test ID list. See <a href="#">Table 47-1</a>.</li> <li>• <i>test-id-range</i>—Enter the range of test IDs by using integers separated by a comma and a hyphen. For more information, see the <b>diagnostic start</b> command in the command reference for this release.</li> <li>• <b>all</b>—Use this keyword when you want to run all of the tests.</li> <li>• <b>basic</b>—Use this keyword when you want to run the basic test suite.</li> <li>• <b>non-disruptive</b>—Use this keyword when you want to run the nondisruptive test suite.</li> </ul>

This example shows how to start a diagnostic test by using the test name:

```
Switch# diagnostic start test TestPortAsicRingLoopback
```

This example shows how to start a no-disruptive diagnostic test:

```
Switch# diagnostic start test non-disruptive
Switch#
*Mar 3 19:34:02.680: %DIAG-6-TEST_RUNNING: : Running TestPortAsicStackPortLoopback{ID=1} ..
*Mar 3 19:34:03.687: %DIAG-6-TEST_OK: : TestPortAsicStackPortLoopback{ID=1} has completed
successfully
```

This example shows how to start all of the basic diagnostic tests:

```
Switch# diagnostic start test all
```

## Displaying Online Diagnostic Tests and Results

You can display the configured online diagnostic tests and review the test results by using the privileged EXEC **show** commands in [Table 47-2](#).

**Table 47-2** Commands for Diagnostic Test Configuration and Results

Command	Purpose
<b>show diagnostic content</b>	Displays the online diagnostics configured for a switch.
<b>show diagnostic status</b>	Displays the running diagnostic tests.
<b>show diagnostic result</b> [ <b>detail</b>   <b>test</b> { <i>name</i>   <i>test-id</i>   <i>test-id-range</i>   <b>all</b> [ <b>detail</b> ] }]	Displays the specified online diagnostics test results.
<b>show diagnostic switch</b> [ <b>detail</b> ]	Displays the online diagnostics test results.
<b>show diagnostic schedule</b>	Displays the online diagnostics test schedule.
<b>show diagnostic post</b>	Displays the POST results. (The output is the same as the <b>show post</b> command output.)



This is an example of the output from the **show diagnostic result** command:

```
Switch# show diagnostic result

:   SerialNo : FOC1225U4CY

Overall diagnostic result: PASS

Test results: (. = Pass, F = Fail, U = Untested)

  1) TestPortAsicStackPortLoopback ----> .
  2) TestPortAsicLoopback -----> U
  3) TestPortAsicCam -----> U
  4) TestPortAsicRingLoopback -----> U
  5) TestMicRingLoopback -----> U
  6) TestPortAsicMem -----> U
```

This is an example of the output from the **show diagnostic post** command:

```
Switch# show diagnostic post
Stored system POST messages:

Switch 1
-----

POST: CPU MIC register Tests : Begin
POST: CPU MIC register Tests : End, Status Passed

POST: PortASIC Memory Tests : Begin
POST: PortASIC Memory Tests : End, Status Passed

POST: CPU MIC interface Loopback Tests : Begin
POST: CPU MIC interface Loopback Tests : End, Status Passed

POST: PortASIC RingLoopback Tests : Begin
POST: PortASIC RingLoopback Tests : End, Status Passed

POST: Thermal, Fan Tests : Begin
POST: Thermal, Fan Tests : End, Status Passed

POST: PortASIC CAM Subsystem Tests : Begin
POST: PortASIC CAM Subsystem Tests : End, Status Passed

POST: PortASIC Port Loopback Tests : Begin
POST: PortASIC Port Loopback Tests : End, Status Passed

POST: EMAC Loopback Tests : Begin
POST: EMAC Loopback Tests : End, Status Passed
```

For more examples of other **show diagnostic** command outputs, see the “Examples” section of the **show diagnostic** command in the command reference for this release.





## Supported MIBs

---

This appendix lists the supported management information base (MIBs) for this release on the Cisco ME 3400E Ethernet Access switch. It contains these sections:

- [MIB List, page A-1](#)
- [Using FTP to Access the MIB Files, page A-4](#)

## MIB List

- BRIDGE-MIB (RFC1493)



---

**Note** The BRIDGE-MIB supports the context of a single VLAN. By default, SNMP messages using the configured community string always provide information for VLAN 1. To obtain the BRIDGE-MIB information for other VLANs, for example VLAN x, use this community string in the SNMP message: configured community string @x.

---

- CFM MIB



---

**Note** The IEEE-compliant CFM MIB (IEEE CFM MIB) provides MIB support for IEEE 802.1ag compliant CFM (IEEE CFM) services. You can use the IEEE CFM MIB as a tool to trace paths, verify and manage connectivity, and detect faults in a network. For information about the IEEE CFM MIB and the services it supports, see: [http://www.cisco.com/en/US/docs/ios/cether/configuration/guide/ce\\_cfm-ieee\\_mib.html](http://www.cisco.com/en/US/docs/ios/cether/configuration/guide/ce_cfm-ieee_mib.html)

---

- CISCO-CABLE-DIAG-MIB
- CISCO-CDP-MIB
- CISCO-CONFIG-COPY-MIB
- CISCO-CONFIG-MAN-MIB
- CISCO-DHCP-SNOOPING-MIB
- CISCO-ENTITY-ALARM-MIB
- CISCO-ENTITY-FRU-CONTROL-MIB
- CISCO-ENTITY-SENSOR MIB
- CISCO-ENTITY-VENDORTYPE-OID-MIB

- CISCO-ENVMON-MIB
- CISCO-ERR-DISABLE-MIB
- CISCO-ETHER-CFM-MIB
- CISCO-ETHERNET-ACCESS-MIB
- CISCO-FLASH-MIB (Flash memory on all switches is modeled as removable flash memory.)
- CISCO-FTP-CLIENT-MIB
- CISCO-HSRP-MIB




---

**Note** Layer 3 MIBs are available only when the metro IP access image is running on the switch.

---

- CISCO-HSRP-EXT-MIB (partial support)
- CISCO-IGMP-FILTER-MIB
- CISCO-IMAGE-MIB
- CISCO-IPSLA-ETHERNET-MIB




---

**Note** Available only when the metro IP access image is running on the switch.

---

- CISCO-L2L3-INTERFACE-CONFIG-MIB
- CISCO-LAG-MIB
- CISCO-MAC-NOTIFICATION-MIB
- CISCO-MEMORY-POOL-MIB
- CISCO-NAC-NAD-MIB
- CISCO-PAE-MIB
- CISCO-PAGP-MIB
- CISCO-PING-MIB
- CISCO-PORT-QOS-MIB (the cportQosStats Table returns the values from the octets and packet counters, depending on switch configuration)
- CISCO-PRODUCTS-MIB
- CISCO-PROCESS-MIB
- CISCO-RTTMON-MIB
- CISCO-SMI-MIB
- CISCO-STACKMAKER-MIB
- CISCO-STP-EXTENSIONS-MIB
- CISCO-SYSLOG-MIB
- CISCO-TC-MIB
- CISCO-TCP-MIB
- CISCO-UDLDP-MIB
- CISCO-VLAN-IFTABLE-RELATIONSHIP-MIB
- CISCO-VLAN-MEMBERSHIP-MIB

- CISCO-VTP-MIB
- ENTITY-MIB
- ETHERLIKE-MIB
- IEEE8021-PAE-MIB
- IEEE8023-LAG-MIB
- IF-MIB (In and out counters for VLANs are not supported.)
- IGMP-MIB
- INET-ADDRESS-MIB
- IPMROUTE-MIB
- LLDP MIB
- OLD-CISCO-CHASSIS-MIB
- OLD-CISCO-FLASH-MIB
- OLD-CISCO-INTERFACES-MIB
- OLD-CISCO-IP-MIB
- OLD-CISCO-SYS-MIB
- OLD-CISCO-TCP-MIB
- OLD-CISCO-TS-MIB
- PIM-MIB
- RFC1213-MIB (Functionality is as per the agent capabilities specified in the CISCO-RFC1213-CAPABILITY.my.)
- RFC1253-MIB (OSPF-MIB)
- RMON-MIB
- RMON2-MIB
- SNMP-FRAMEWORK-MIB
- SNMP-MPD-MIB
- SNMP-NOTIFICATION-MIB
- SNMP-TARGET-MIB
- SNMPv2-MIB
- TCP-MIB
- UDP-MIB

**Note**

For information about MIB support for a specific Cisco product and release, go to the MIB Locator tool at this URL:

<http://tools.cisco.com/ITDIT/MIBS/MainServlet>

## Using FTP to Access the MIB Files

You can obtain each MIB file by using this procedure:

---

**Step 1** Make sure that your FTP client is in passive mode.



---

**Note** Some FTP clients do not support passive mode.

---

**Step 2** Use FTP to access the server **ftp.cisco.com**.

**Step 3** Log in with the username **anonymous**.

**Step 4** Enter your e-mail username when prompted for the password.

**Step 5** At the `ftp>` prompt, change directories to **/pub/mibs/v1** and **/pub/mibs/v2**.

**Step 6** Use the **get *MIB\_filename*** command to obtain a copy of the MIB file.

---



# APPENDIX B

## Working with the Cisco IOS File System, Configuration Files, and Software Images

---

This appendix describes how to manipulate the Cisco ME 3400E Ethernet Access switch flash file system, how to copy configuration files, and how to archive (upload and download) software images to a switch.



### Note

---

For complete syntax and usage information for the commands used in this chapter, see the switch command reference for this release and the *Cisco IOS Configuration Fundamentals Command Reference, Release 12.2*.

---

This appendix consists of these sections:

- [Working with the Flash File System, page B-1](#)
- [Working with Configuration Files, page B-8](#)
- [Working with Software Images, page B-23](#)

## Working with the Flash File System

The flash file system is a single flash device on which you can store files. It also provides several commands to help you manage software image and configuration files. The default flash file system on the switch is named *flash:*.

These sections contain configuration information:

- [Displaying Available File Systems, page B-2](#)
- [Setting the Default File System, page B-3](#)
- [Displaying Information about Files on a File System, page B-3](#)
- [Creating and Removing Directories, page B-4](#)
- [Copying Files, page B-4](#)
- [Deleting Files, page B-5](#)
- [Creating, Displaying, and Extracting tar Files, page B-6](#)
- [Displaying the Contents of a File, page B-8](#)

## Displaying Available File Systems

To display the available file systems on your switch, use the **show file systems** privileged EXEC command as shown in this example.

```
Switch# show file systems
File Systems:
  Size(b)      Free(b)      Type  Flags  Prefixes
*  15998976    5135872     flash rw    flash:
   -          -          opaque rw    bs:
   -          -          opaque rw    vb:
   524288     520138     nvram rw    nvram:
   -          -          network rw    tftp:
   -          -          opaque rw    null:
   -          -          opaque rw    system:
   -          -          opaque ro    xmodem:
   -          -          opaque ro    ymodem:
```

**Table B-1** show file systems Field Descriptions

Field	Value
Size(b)	Amount of memory in the file system in bytes.
Free(b)	Amount of free memory in the file system in bytes.
Type	Type of file system. <b>flash</b> —The file system is for a flash memory device. <b>nvram</b> —The file system is for a NVRAM device. <b>opaque</b> —The file system is a locally generated <i>pseudo</i> file system (for example, the <i>system</i> ) or a download interface, such as brimux. <b>unknown</b> —The file system is an unknown type.
Flags	Permission for file system. <b>ro</b> —read-only. <b>rw</b> —read/write. <b>wo</b> —write-only.
Prefixes	Alias for file system. <b>flash:</b> —Flash file system. <b>nvram:</b> —NVRAM. <b>null:</b> —Null destination for copies. You can copy a remote file to null to find its size. <b>rcp:</b> —Remote Copy Protocol (RCP) network server. <b>system:</b> —Contains the system memory, including the running configuration. <b>tftp:</b> —TFTP network server. <b>xmodem:</b> —Obtain the file from a network machine by using the Xmodem protocol. <b>ymodem:</b> —Obtain the file from a network machine by using the Ymodem protocol.



## Setting the Default File System

You can specify the file system or directory that the system uses as the default file system by using the **cd** *filesystem:* privileged EXEC command. You can set the default file system to omit the *filesystem:* argument from related commands. For example, for all privileged EXEC commands that have the optional *filesystem:* argument, the system uses the file system specified by the **cd** command.

By default, the default file system is *flash:*.

You can display the current default file system as specified by the **cd** command by using the **pwd** privileged EXEC command.

## Displaying Information about Files on a File System

You can view a list of the contents of a file system before manipulating its contents. For example, before copying a new configuration file to flash memory, you might want to verify that the file system does not already contain a configuration file with the same name. Similarly, before copying a flash configuration file to another location, you might want to verify its filename for use in another command.

To display information about files on a file system, use one of the privileged EXEC commands in [Table B-2](#):

**Table B-2** Commands for Displaying Information About Files

Command	Description
<b>dir</b> [/all] [ <i>filesystem:</i> ][ <i>filename</i> ]	Display a list of files on a file system.
<b>show file systems</b>	Display more information about each of the files on a file system.
<b>show file information</b> <i>file-url</i>	Display information about a specific file.
<b>show file descriptors</b>	Display a list of open file descriptors. File descriptors are the internal representations of open files. You can use this command to see if another user has a file open.

## Changing Directories and Displaying the Working Directory

Beginning in privileged EXEC mode, follow these steps to change directories and display the working directory.

	Command	Purpose
Step 1	<b>dir</b> <i>filesystem:</i>	Display the directories on the specified file system. For <i>filesystem:</i> , use <b>flash:</b> for the system board flash device.
Step 2	<b>cd</b> <i>new_configs</i>	Change to the directory of interest. The command example shows how to change to the directory named <i>new_configs</i> .
Step 3	<b>pwd</b>	Display the working directory.

## Creating and Removing Directories

Beginning in privileged EXEC mode, follow these steps to create and remove a directory:

	Command	Purpose
Step 1	<b>dir</b> <i>filesystem:</i>	Display the directories on the specified file system. For <i>filesystem:</i> , use <b>flash:</b> for the system board flash device.
Step 2	<b>mkdir</b> <i>old_configs</i>	Create a new directory. The command example shows how to create the directory named <i>old_configs</i> . Directory names are case sensitive. Directory names are limited to 45 characters between the slashes (/); the name cannot contain control characters, spaces, deletes, slashes, quotes, semicolons, or colons.
Step 3	<b>dir</b> <i>filesystem:</i>	Verify your entry.

To delete a directory with all its files and subdirectories, use the **delete /force /recursive filesystem:/file-url** privileged EXEC command.

Use the **/recursive** keyword to delete the named directory and all subdirectories and the files contained in it. Use the **/force** keyword to suppress the prompting that confirms a deletion of each file in the directory. You are prompted only once at the beginning of this deletion process. Use the **/force** and **/recursive** keywords for deleting old software images that were installed by using the **archive download-sw** command but are no longer needed.

For *filesystem*, use **flash:** for the system board flash device. For *file-url*, enter the name of the directory to be deleted. All the files in the directory and the directory are removed.



Caution

When files and directories are deleted, their contents cannot be recovered.

## Copying Files

To copy a file from a source to a destination, use the **copy source-url destination-url** privileged EXEC command. For the source and destination URLs, you can use **running-config** and **startup-config** keyword shortcuts. For example, the **copy running-config startup-config** command saves the currently running configuration file to the NVRAM section of flash memory to be used as the configuration during system initialization.

You can also copy from special file systems (**xmodem:**, **ymodem:**) as the source for the file from a network machine that uses the Xmodem or Ymodem protocol.

Network file system URLs include **ftp:**, **rep:**, and **tftp:** and have these syntaxes:

- FTP—**ftp:**[[/username [:password]@location]/directory]/filename
- RCP—**rcp:**[[/username@location]/directory]/filename
- TFTP—**tftp:**[[/location]/directory]/filename

In addition, the Secure Copy Protocol (SCP) provides a secure and authenticated method for copying switch configurations or switch image files. SCP relies on Secure Shell (SSH), an application and a protocol that provides a secure replacement for the Berkeley r-tools. See the “Configuring the Switch for Secure Copy Protocol” section on page 8-41.

**Note**

For more information on how to configure and verify SCP, see the “Secure Copy Protocol” chapter of the *Cisco IOS New Features, Cisco IOS Release 12.2*, at this URL:  
[http://www.cisco.com/en/US/docs/ios/12\\_2t/12\\_2t2/feature/guide/ftscp.html](http://www.cisco.com/en/US/docs/ios/12_2t/12_2t2/feature/guide/ftscp.html)

Local writable file systems include flash:

Some invalid combinations of source and destination exist. Specifically, you cannot copy these combinations:

- From a running configuration to a running configuration
- From a startup configuration to a startup configuration
- From a device to the same device (for example, the **copy flash: flash:** command is invalid)

For specific examples of using the **copy** command with configuration files, see the “Working with Configuration Files” section on page B-8.

To copy software images either by downloading a new version or by uploading the existing one, use the **archive download-sw** or the **archive upload-sw** privileged EXEC command. For more information, see the “Working with Software Images” section on page B-23.

## Deleting Files

When you no longer need a file on a flash memory device, you can permanently delete it. To delete a file or directory from a specified flash device, use the **delete** [**/force**] [**/recursive**] [*filesystem:*]*/file-url* privileged EXEC command.

Use the **/recursive** keyword for deleting a directory and all subdirectories and the files contained in it. Use the **/force** keyword to suppress the prompting that confirms a deletion of each file in the directory. You are prompted only once at the beginning of this deletion process. Use the **/force** and **/recursive** keywords for deleting old software images that were installed by using the **archive download-sw** command but are no longer needed.

If you omit the *filesystem:* option, the switch uses the default device specified by the **cd** command. For *file-url*, you specify the path (directory) and the name of the file to be deleted.

When you attempt to delete any files, the system prompts you to confirm the deletion.

**Caution**

When files are deleted, their contents cannot be recovered.

This example shows how to delete the file *myconfig* from the default flash memory device:

```
Switch# delete myconfig
```

## Creating, Displaying, and Extracting tar Files

You can create a tar file and write files into it, list the files in a tar file, and extract the files from a tar file as described in the next sections.



### Note

Instead of using the **copy** privileged EXEC command or the **archive tar** privileged EXEC command, we recommend using the **archive download-sw** and **archive upload-sw** privileged EXEC commands to download and upload software image files.

### Creating a tar File

To create a tar file and write files into it, use this privileged EXEC command:

```
archive tar /create destination-url flash:/file-url
```

For *destination-url*, specify the destination URL alias for the local or network file system and the name of the tar file to create. These options are supported:

- For the local flash file system, the syntax is  
**flash:**
- For the FTP, the syntax is  
**ftp:[[/username[:password]@location]/directory]/tar-filename.tar**
- For the RCP, the syntax is  
**rcp:[[/username@location]/directory]/tar-filename.tar**
- For the TFTP, the syntax is  
**tftp:[[/location]/directory]/tar-filename.tar**

The *tar-filename.tar* is the tar file to be created.

For **flash:/file-url**, specify the location on the local flash file system from which the new tar file is created. You can also specify an optional list of files or directories within the source directory to write to the new tar file. If none are specified, all files and directories at this level are written to the newly created tar file.

This example shows how to create a tar file. This command writes the contents of the *new-configs* directory on the local flash device to a file named *saved.tar* on the TFTP server at 172.20.10.30:

```
Switch# archive tar /create tftp:172.20.10.30/saved.tar flash:/new-configs
```

### Displaying the Contents of a tar File

To display the contents of a tar file on the screen, use this privileged EXEC command:

```
archive tar /table source-url
```

For *source-url*, specify the source URL alias for the local or network file system. These options are supported:

- For the local flash file system, the syntax is  
**flash:**
- For the FTP, the syntax is  
**ftp:[[/username[:password]@location]/directory]/tar-filename.tar**

- For the RCP, the syntax is  
**rcp:[//username@location]/directory/tar-filename.tar**
- For the TFTP, the syntax is  
**tftp:[//location]/directory/tar-filename.tar**

The *tar-filename.tar* is the tar file to display.

This example shows how to display the contents of a switch tar file that is in flash memory:

```
Switch# archive tar /table flash:image-name.tar
info (219 bytes)
image-name/ (directory)
image-name/html/ (directory)
image-name/html/foo.html (0 bytes)
image-name/image-name.bin (4527884 bytes)
image-name/info (346 bytes)
info (110 bytes)
```

## Extracting a tar File

To extract a tar file into a directory on the flash file system, use this privileged EXEC command:

```
archive tar /xtract source-url flash:/file-url [dir/file...]
```

For *source-url*, specify the source URL alias for the local file system. These options are supported:

- For the local flash file system, the syntax is  
**flash:**
- For the FTP, the syntax is  
**ftp:[//username[:password]@location]/directory/tar-filename.tar**
- For the RCP, the syntax is  
**rcp:[//username@location]/directory/tar-filename.tar**
- For the TFTP, the syntax is  
**tftp:[//location]/directory/tar-filename.tar**

The *tar-filename.tar* is the tar file from which to extract files.

For **flash:/file-url [dir/file...]**, specify the location on the local flash file system into which the tar file is extracted. Use the *dir/file...* option to specify an optional list of files or directories within the tar file to be extracted. If none are specified, all files and directories are extracted.

This example shows how to extract the contents of a tar file located on the TFTP server at 172.20.10.30. This command extracts just the *new-configs* directory into the root directory on the local flash file system. The remaining files in the *saved.tar* file are ignored.

```
Switch# archive tar /xtract tftp://172.20.10.30/saved.tar flash:/new-configs
```

## Displaying the Contents of a File

To display the contents of any readable file, including a file on a remote file system, use the **more** [/ascii | /binary | /ebcdic] *file-url* privileged EXEC command:

This example shows how to display the contents of a configuration file on a TFTP server:

```
Switch# more tftp://serverA/hampton/savedconfig
!  
! Saved configuration on server  
!  
version 11.3  
service timestamps log datetime localtime  
service linenumbers  
service udp-small-servers  
service pt-vty-logging  
!  
<output truncated>
```

## Working with Configuration Files

This section describes how to create, load, and maintain configuration files.

Configuration files contain commands entered to customize the function of the Cisco IOS software. A way to create a basic configuration file is to use the **setup** program or to enter the **setup** privileged EXEC command. For more information, see [Chapter 3, “Assigning the Switch IP Address and Default Gateway.”](#)

You can copy (*download*) configuration files from a TFTP, FTP, or RCP server to the running configuration or startup configuration of the switch. You might want to perform this for one of these reasons:

- To restore a backed-up configuration file.
- To use the configuration file for another switch. For example, you might add another switch to your network and want it to have a configuration similar to the original switch. By copying the file to the new switch, you can change the relevant parts rather than recreating the whole file.
- To load the same configuration commands on all the switches in your network so that all the switches have similar configurations.

You can copy (*upload*) configuration files from the switch to a file server by using TFTP, FTP, or RCP. You might perform this task to back up a current configuration file to a server before changing its contents so that you can later restore the original configuration file from the server.

The protocol you use depends on which type of server you are using. The FTP and RCP transport mechanisms provide faster performance and more reliable delivery of data than TFTP. These improvements are possible because FTP and RCP are built on and use the TCP/IP stack, which is connection-oriented.

These sections contain this configuration information:

- [Guidelines for Creating and Using Configuration Files, page B-9](#)
- [Configuration File Types and Location, page B-9](#)
- [Creating a Configuration File By Using a Text Editor, page B-10](#)
- [Copying Configuration Files By Using TFTP, page B-10](#)
- [Copying Configuration Files By Using FTP, page B-12](#)

- [Copying Configuration Files By Using RCP, page B-15](#)
- [Clearing Configuration Information, page B-18](#)
- [Replacing and Rolling Back Configurations, page B-19](#)

## Guidelines for Creating and Using Configuration Files

Creating configuration files can aid in your switch configuration. Configuration files can contain some or all of the commands needed to configure one or more switches. For example, you might want to download the same configuration file to several switches that have the same hardware configuration.

Use these guidelines when creating a configuration file:

- We recommend that you connect through the console port for the initial configuration of the switch. If you are accessing the switch through a network connection instead of through a direct connection to the console port, keep in mind that some configuration changes (such as changing the switch IP address or disabling ports) can cause a loss of connectivity to the switch.
- If no password has been set on the switch, we recommend that you set one by using the **enable secret** *secret-password* global configuration command.



### Note

The **copy {ftp: | rcp: | tftp:} system:running-config** privileged EXEC command loads the configuration files on the switch as if you were entering the commands at the command line. The switch does not erase the existing running configuration before adding the commands. If a command in the copied configuration file replaces a command in the existing configuration file, the existing command is erased. For example, if the copied configuration file contains a different IP address in a particular command than the existing configuration, the IP address in the copied configuration is used. However, some commands in the existing configuration might not be replaced or negated. In this case, the resulting configuration file is a mixture of the existing configuration file and the copied configuration file, with the copied configuration file having precedence.

To restore a configuration file to an exact copy of a file stored on a server, copy the configuration file directly to the startup configuration (by using the **copy {ftp: | rcp: | tftp:} nvram:startup-config** privileged EXEC command), and reload the switch.

## Configuration File Types and Location

Startup configuration files are used during system startup to configure the software. Running configuration files contain the current configuration of the software. The two configuration files can be different. For example, you might want to change the configuration for a short time period rather than permanently. In this case, you would change the running configuration but not save the configuration by using the **copy running-config startup-config** privileged EXEC command.

The running configuration is saved in DRAM; the startup configuration is stored in the NVRAM section of flash memory.

## Creating a Configuration File By Using a Text Editor

When creating a configuration file, you must list commands logically so that the system can respond appropriately. This is one method of creating a configuration file:

- 
- Step 1** Copy an existing configuration from a switch to a server.
- For more information, see the [“Downloading the Configuration File By Using TFTP”](#) section on page B-11, the [“Downloading a Configuration File By Using FTP”](#) section on page B-13, or the [“Downloading a Configuration File By Using RCP”](#) section on page B-17.
- Step 2** Open the configuration file in a text editor, such as vi or emacs on UNIX or Notepad on a PC.
- Step 3** Extract the portion of the configuration file with the desired commands, and save it in a new file.
- Step 4** Copy the configuration file to the appropriate server location. For example, copy the file to the TFTP directory on the workstation (usually /tftpboot on a UNIX workstation).
- Step 5** Make sure the permissions on the file are set to world-read.
- 

## Copying Configuration Files By Using TFTP

You can configure the switch by using configuration files you create, download from another switch, or download from a TFTP server. You can copy (upload) configuration files to a TFTP server for storage.

These sections contain this configuration information:

- [Preparing to Download or Upload a Configuration File By Using TFTP](#), page B-10
- [Downloading the Configuration File By Using TFTP](#), page B-11
- [Uploading the Configuration File By Using TFTP](#), page B-11

## Preparing to Download or Upload a Configuration File By Using TFTP

Before you begin downloading or uploading a configuration file by using TFTP, do these tasks:

- Ensure that the workstation acting as the TFTP server is properly configured. On a Sun workstation, make sure that the /etc/inetd.conf file contains this line:

```
tftp dgram udp wait root /usr/etc/in.tftpd in.tftpd -p -s /tftpboot
```

Make sure that the /etc/services file contains this line:

```
tftp 69/udp
```



**Note** You must restart the inetd daemon after modifying the /etc/inetd.conf and /etc/services files. To restart the daemon, either stop the inetd process and restart it, or enter a **fastboot** command (on the SunOS 4.x) or a **reboot** command (on Solaris 2.x or SunOS 5.x). For more information on the TFTP daemon, see the documentation for your workstation.

- Ensure that the switch has a route to the TFTP server. The switch and the TFTP server must be in the same subnetwork if you do not have a router to route traffic between subnets. Check connectivity to the TFTP server by using the **ping** command.



- Ensure that the configuration file to be downloaded is in the correct directory on the TFTP server (usually /tftpboot on a UNIX workstation).
- For download operations, ensure that the permissions on the file are set correctly. The permission on the file should be world-read.
- Before uploading the configuration file, you might need to create an empty file on the TFTP server. To create an empty file, enter the **touch filename** command, where *filename* is the name of the file you will use when uploading it to the server.
- During upload operations, if you are overwriting an existing file (including an empty file, if you had to create one) on the server, ensure that the permissions on the file are set correctly. Permissions on the file should be world-write.

## Downloading the Configuration File By Using TFTP

To configure the switch by using a configuration file downloaded from a TFTP server, follow these steps:

- 
- Step 1** Copy the configuration file to the appropriate TFTP directory on the workstation.
  - Step 2** Verify that the TFTP server is properly configured by referring to the [“Preparing to Download or Upload a Configuration File By Using TFTP”](#) section on page B-10.
  - Step 3** Log into the switch through the console port or a Telnet session.
  - Step 4** Download the configuration file from the TFTP server to configure the switch.

Specify the IP address or hostname of the TFTP server and the name of the file to download.

Use one of these privileged EXEC commands:

- **copy tftp:[[/location]/directory]/filename system:running-config**
- **copy tftp:[[/location]/directory]/filename nvram:startup-config**

The configuration file downloads, and the commands are executed as the file is parsed line-by-line.

---

This example shows how to configure the software from the file *tokyo-config* at IP address 172.16.2.155:

```
Switch# copy tftp://172.16.2.155/tokyo-config system:running-config
Configure using tokyo-config from 172.16.2.155? [confirm] y
Booting tokyo-config from 172.16.2.155:!!! [OK - 874/16000 bytes]
```

## Uploading the Configuration File By Using TFTP

To upload a configuration file from a switch to a TFTP server for storage, follow these steps:

- 
- Step 1** Verify that the TFTP server is properly configured by referring to the [“Preparing to Download or Upload a Configuration File By Using TFTP”](#) section on page B-10.
  - Step 2** Log into the switch through the console port or a Telnet session.
  - Step 3** Upload the switch configuration to the TFTP server. Specify the IP address or hostname of the TFTP server and the destination filename.

Use one of these privileged EXEC commands:

- **copy system:running-config tftp:[[/location]/directory]/filename]**
- **copy nvram:startup-config tftp:[[/location]/directory]/filename]**

The file is uploaded to the TFTP server.

---

This example shows how to upload a configuration file from a switch to a TFTP server:

```
Switch# copy system:running-config tftp://172.16.2.155/tokyo-config
Write file tokyo-config on host 172.16.2.155? [confirm] y
#
Writing tokyo-config!!! [OK]
```

## Copying Configuration Files By Using FTP

You can copy configuration files to or from an FTP server.

The FTP protocol requires a client to send a remote username and password on each FTP request to a server.

When you copy a configuration file from the switch to a server by using FTP, the Cisco IOS software sends the first valid username in this list:

- The username specified in the **copy** command if a username is specified.
- The username set by the **ip ftp username *username*** global configuration command if the command is configured.
- Anonymous.

The switch sends the first valid password in this list:

- The password specified in the **copy** command if a password is specified.
- The password set by the **ip ftp password *password*** global configuration command if the command is configured.
- The switch forms a password named *username@switchname.domain*. The variable *username* is the username associated with the current session, *switchname* is the configured hostname, and *domain* is the domain of the switch.

The username and password must be associated with an account on the FTP server. If you are writing to the server, the FTP server must be properly configured to accept your FTP write request.

Use the **ip ftp username** and **ip ftp password** commands to specify a username and password for all copies. Include the username in the **copy** command if you want to specify only a username for that copy operation.

If the server has a directory structure, the configuration file is written to or copied from the directory associated with the username on the server. For example, if the configuration file resides in the home directory of a user on the server, specify that user's name as the remote username.

For more information, see the documentation for your FTP server.

These sections contain this configuration information:

- [Preparing to Download or Upload a Configuration File By Using FTP, page B-13](#)
- [Downloading a Configuration File By Using FTP, page B-13](#)
- [Uploading a Configuration File By Using FTP, page B-14](#)

## Preparing to Download or Upload a Configuration File By Using FTP

Before you begin downloading or uploading a configuration file by using FTP, do these tasks:

- Ensure that the switch has a route to the FTP server. The switch and the FTP server must be in the same subnetwork if you do not have a router to route traffic between subnets. Check connectivity to the FTP server by using the **ping** command.
- If you are accessing the switch through the console or a Telnet session and you do not have a valid username, make sure that the current FTP username is the one that you want to use for the FTP download. You can enter the **show users** privileged EXEC command to view the valid username. If you do not want to use this username, create a new FTP username by using the **ip ftp username *username*** global configuration command during all copy operations. The new username is stored in NVRAM. If you are accessing the switch through a Telnet session and you have a valid username, this username is used, and you do not need to set the FTP username. Include the username in the **copy** command if you want to specify a username for only that copy operation.
- When you upload a configuration file to the FTP server, it must be properly configured to accept the write request from the user on the switch.

For more information, see the documentation for your FTP server.

## Downloading a Configuration File By Using FTP

Beginning in privileged EXEC mode, follow these steps to download a configuration file by using FTP:

	Command	Purpose
Step 1		Verify that the FTP server is properly configured by referring to the <a href="#">“Preparing to Download or Upload a Configuration File By Using FTP”</a> section on page B-13.
Step 2		Log into the switch through the console port or a Telnet session.
Step 3	<b>configure terminal</b>	Enter global configuration mode on the switch.  This step is required only if you override the default remote username or password (see Steps 4, 5, and 6).
Step 4	<b>ip ftp username <i>username</i></b>	(Optional) Change the default remote username.
Step 5	<b>ip ftp password <i>password</i></b>	(Optional) Change the default password.
Step 6	<b>end</b>	Return to privileged EXEC mode.
Step 7	<b>copy</b> <b>ftp:[[/[<i>username</i>[:<i>password</i>]@]<i>location</i>]/<i>directory</i>]/<i>filename</i>] system:running-config</b>  or <b>copy</b> <b>ftp:[[/[<i>username</i>[:<i>password</i>]@]<i>location</i>]/<i>directory</i>]/<i>filename</i>] nvram:startup-config</b>	Using FTP, copy the configuration file from a network server to the running configuration or to the startup configuration file.

This example shows how to copy a configuration file named *host1-config* from the *netadmin1* directory on the remote server with an IP address of 172.16.101.101 and to load and run those commands on the switch:

```
Switch# copy ftp://netadmin1:mypass@172.16.101.101/host1-config system:running-config
Configure using host1-config from 172.16.101.101? [confirm]
Connected to 172.16.101.101
Loading 1112 byte file host1-config:[OK]
Switch#
%SYS-5-CONFIG: Configured from host1-config by ftp from 172.16.101.101
```

This example shows how to specify a remote username of *netadmin1*. The software copies the configuration file *host2-config* from the *netadmin1* directory on the remote server with an IP address of 172.16.101.101 to the switch startup configuration.

```
Switch# configure terminal
Switch(config)# ip ftp username netadmin1
Switch(config)# ip ftp password mypass
Switch(config)# end
Switch# copy ftp: nvram:startup-config
Address of remote host [255.255.255.255]? 172.16.101.101
Name of configuration file[rtr2-config]? host2-config
Configure using host2-config from 172.16.101.101?[confirm]
Connected to 172.16.101.101
Loading 1112 byte file host2-config:[OK]
[OK]
Switch#
%SYS-5-CONFIG_NV:Non-volatile store configured from host2-config by ftp from
172.16.101.101
```

## Uploading a Configuration File By Using FTP

Beginning in privileged EXEC mode, follow these steps to upload a configuration file by using FTP:

	Command	Purpose
Step 1		Verify that the FTP server is properly configured by referring to the <a href="#">“Preparing to Download or Upload a Configuration File By Using FTP”</a> section on page B-13.
Step 2		Log into the switch through the console port or a Telnet session.
Step 3	<b>configure terminal</b>	Enter global configuration mode.  This step is required only if you override the default remote username or password (see Steps 4, 5, and 6).
Step 4	<b>ip ftp username</b> <i>username</i>	(Optional) Change the default remote username.
Step 5	<b>ip ftp password</b> <i>password</i>	(Optional) Change the default password.

	Command	Purpose
Step 6	<b>end</b>	Return to privileged EXEC mode.
Step 7	<b>copy system:running-config</b> <b>ftp:[[/[username[:password]@]location]/directory]</b> <b>/filename]</b>  or <b>copy nvram:startup-config</b> <b>ftp:[[/[username[:password]@]location]/directory]</b> <b>/filename]</b>	Using FTP, store the switch running or startup configuration file to the specified location.

This example shows how to copy the running configuration file named *switch2-config* to the *netadmin1* directory on the remote host with an IP address of 172.16.101.101:

```
Switch# copy system:running-config ftp://netadmin1:mypass@172.16.101.101/switch2-config
Write file switch2-config on host 172.16.101.101?[confirm]
Building configuration...[OK]
Connected to 172.16.101.101
Switch#
```

This example shows how to store a startup configuration file on a server by using FTP to copy the file:

```
Switch# configure terminal
Switch(config)# ip ftp username netadmin2
Switch(config)# ip ftp password mypass
Switch(config)# end
Switch# copy nvram:startup-config ftp:
Remote host[]? 172.16.101.101
Name of configuration file to write [switch2-config]?
Write file switch2-config on host 172.16.101.101?[confirm]
![OK]
```

## Copying Configuration Files By Using RCP

The RCP provides another method of downloading, uploading, and copying configuration files between remote hosts and the switch. Unlike TFTP, which uses User Datagram Protocol (UDP), a connectionless protocol, RCP uses TCP, which is connection-oriented.

To use RCP to copy files, the server from or to which you will be copying files must support RCP. The RCP copy commands rely on the rsh server (or daemon) on the remote system. To copy files by using RCP, you do not need to create a server for file distribution as you do with TFTP. You only need to have access to a server that supports the remote shell (rsh). (Most UNIX systems support rsh.) Because you are copying a file from one place to another, you must have read permission on the source file and write permission on the destination file. If the destination file does not exist, RCP creates it for you.

The RCP requires a client to send a remote username with each RCP request to a server. When you copy a configuration file from the switch to a server, the Cisco IOS software sends the first valid username in this list:

- The username specified in the **copy** command if a username is specified.
- The username set by the **ip rcmd remote-username username** global configuration command if the command is configured.

- The remote username associated with the current TTY (terminal) process. For example, if the user is connected to the router through Telnet and was authenticated through the **username** command, the switch software sends the Telnet username as the remote username.
- The switch hostname.

For a successful RCP copy request, you must define an account on the network server for the remote username. If the server has a directory structure, the configuration file is written to or copied from the directory associated with the remote username on the server. For example, if the configuration file is in the home directory of a user on the server, specify that user's name as the remote username.

These sections contain this configuration information:

- [Preparing to Download or Upload a Configuration File By Using RCP, page B-16](#)
- [Downloading a Configuration File By Using RCP, page B-17](#)
- [Uploading a Configuration File By Using RCP, page B-18](#)

## Preparing to Download or Upload a Configuration File By Using RCP

Before you begin downloading or uploading a configuration file by using RCP, do these tasks:

- Ensure that the workstation acting as the RCP server supports the remote shell (rsh).
- Ensure that the switch has a route to the RCP server. The switch and the server must be in the same subnet if you do not have a router to route traffic between subnets. Check connectivity to the RCP server by using the **ping** command.
- If you are accessing the switch through the console or a Telnet session and you do not have a valid username, make sure that the current RCP username is the one that you want to use for the RCP download. You can enter the **show users** privileged EXEC command to view the valid username. If you do not want to use this username, create a new RCP username by using the **ip rcmd remote-username username** global configuration command to be used during all copy operations. The new username is stored in NVRAM. If you are accessing the switch through a Telnet session and you have a valid username, this username is used, and you do not need to set the RCP username. Include the username in the **copy** command if you want to specify a username for only that copy operation.
- When you upload a file to the RCP server, it must be properly configured to accept the RCP write request from the user on the switch. For UNIX systems, you must add an entry to the `.rhosts` file for the remote user on the RCP server. For example, suppose that the switch contains these configuration lines:

```
hostname Switch1
ip rcmd remote-username User0
```

If the switch IP address translates to *Switch1.company.com*, the `.rhosts` file for User0 on the RCP server should contain this line:

```
Switch1.company.com Switch1
```

For more information, see the documentation for your RCP server.

## Downloading a Configuration File By Using RCP

Beginning in privileged EXEC mode, follow these steps to download a configuration file by using RCP:

	Command	Purpose
Step 1		Verify that the RCP server is properly configured by referring to the <a href="#">“Preparing to Download or Upload a Configuration File By Using RCP”</a> section on page B-16.
Step 2		Log into the switch through the console port or a Telnet session.
Step 3	<b>configure terminal</b>	Enter global configuration mode.  This step is required only if you override the default remote username (see Steps 4 and 5).
Step 4	<b>ip rcmd remote-username <i>username</i></b>	(Optional) Specify the remote username.
Step 5	<b>end</b>	Return to privileged EXEC mode.
Step 6	<b>copy</b> <b>rcp:[[//[<i>username@</i>]<i>location</i>]/<i>directory</i>]/<i>filename</i>]</b> <b>system:running-config</b>  or <b>copy</b> <b>rcp:[[//[<i>username@</i>]<i>location</i>]/<i>directory</i>]/<i>filename</i>]</b> <b>nvrn:startup-config</b>	Using RCP, copy the configuration file from a network server to the running configuration or to the startup configuration file.

This example shows how to copy a configuration file named *host1-config* from the *netadmin1* directory on the remote server with an IP address of 172.16.101.101 and load and run those commands on the switch:

```
Switch# copy rcp://netadmin1@172.16.101.101/host1-config system:running-config
Configure using host1-config from 172.16.101.101? [confirm]
Connected to 172.16.101.101
Loading 1112 byte file host1-config:[OK]
Switch#
%SYS-5-CONFIG: Configured from host1-config by rcp from 172.16.101.101
```

This example shows how to specify a remote username of *netadmin1*. Then it copies the configuration file *host2-config* from the *netadmin1* directory on the remote server with an IP address of 172.16.101.101 to the startup configuration:

```
Switch# configure terminal
Switch(config)# ip rcmd remote-username netadmin1
Switch(config)# end
Switch# copy rcp: nvrn:startup-config
Address of remote host [255.255.255.255]? 172.16.101.101
Name of configuration file[rtr2-config]? host2-config
Configure using host2-config from 172.16.101.101?[confirm]
Connected to 172.16.101.101
Loading 1112 byte file host2-config:[OK]
[OK]
Switch#
%SYS-5-CONFIG_NV:Non-volatile store configured from host2-config by rcp from
172.16.101.101
```

## Uploading a Configuration File By Using RCP

Beginning in privileged EXEC mode, follow these steps to upload a configuration file by using RCP:

	Command	Purpose
Step 1		Verify that the RCP server is properly configured by referring to the <a href="#">“Preparing to Download or Upload a Configuration File By Using RCP”</a> section on page B-16.
Step 2		Log into the switch through the console port or a Telnet session.
Step 3	<b>configure terminal</b>	Enter global configuration mode.  This step is required only if you override the default remote username (see Steps 4 and 5).
Step 4	<b>ip rcmd remote-username</b> <i>username</i>	(Optional) Specify the remote username.
Step 5	<b>end</b>	Return to privileged EXEC mode.
Step 6	<b>copy system:running-config</b> <b>rcp:[[//[username@]location]/directory]/filename]</b> or <b>copy nvram:startup-config</b> <b>rcp:[[//[username@]location]/directory]/filename]</b>	Using RCP, copy the configuration file from a switch running or startup configuration file to a network server.

This example shows how to copy the running configuration file named *switch2-config* to the *netadmin1* directory on the remote host with an IP address of 172.16.101.101:

```
Switch# copy system:running-config rcp://netadmin1@172.16.101.101/switch2-config
Write file switch-config on host 172.16.101.101?[confirm]
Building configuration...[OK]
Connected to 172.16.101.101
Switch#
```

This example shows how to store a startup configuration file on a server:

```
Switch# configure terminal
Switch(config)# ip rcmd remote-username netadmin2
Switch(config)# end
Switch# copy nvram:startup-config rcp:
Remote host[?] 172.16.101.101
Name of configuration file to write [switch2-config]?
Write file switch2-config on host 172.16.101.101?[confirm]
! [OK]
```

## Clearing Configuration Information

You can clear the configuration information from the startup configuration. If you reboot the switch with no startup configuration, the switch enters the setup program so that you can reconfigure the switch with all new settings.



## Clearing the Startup Configuration File

To clear the contents of your startup configuration, use the **erase nvram:** or the **erase startup-config** privileged EXEC command.



Caution

---

You cannot restore the startup configuration file after it has been deleted.

---

## Deleting a Stored Configuration File

To delete a saved configuration from flash memory, use the **delete flash:filename** privileged EXEC command. Depending on the setting of the **file prompt** global configuration command, you might be prompted for confirmation before you delete a file. By default, the switch prompts for confirmation on destructive file operations. For more information about the **file prompt** command, see the *Cisco IOS Command Reference for Release 12.2*.



Caution

---

You cannot restore a file after it has been deleted.

---

## Replacing and Rolling Back Configurations

The configuration replacement and rollback feature replaces the running configuration with any saved Cisco IOS configuration file. You can use the rollback function to roll back to a previous configuration.

These sections contain this information:

- [Understanding Configuration Replacement and Rollback, page B-19](#)
- [Configuration Replacement and Rollback Guidelines, page B-20](#)
- [Configuring the Configuration Archive, page B-21](#)
- [Performing a Configuration Replacement or Rollback Operation, page B-22](#)

## Understanding Configuration Replacement and Rollback

- [Archiving a Configuration, page B-19](#)
- [Replacing a Configuration, page B-20](#)
- [Rolling Back a Configuration, page B-20](#)

### Archiving a Configuration

The configuration archive provides a mechanism to store, organize, and manage an archive of configuration files. The **configure replace** privileged EXEC command increases the configuration rollback capability. As an alternative, you can save copies of the running configuration by using the **copy running-config destination-url** privileged EXEC command, storing the replacement file either locally or remotely. However, this method lacks any automated file management. The configuration replacement and rollback feature can automatically save copies of the running configuration to the configuration archive.

You use the **archive config** privileged EXEC command to save configurations in the configuration archive by using a standard location and filename prefix that is automatically appended with an incremental version number (and optional timestamp) as each consecutive file is saved. You can specify how many versions of the running configuration are kept in the archive. After the maximum number of files are saved, the oldest file is automatically deleted when the next, most recent file is saved. The **show archive** privileged EXEC command displays information for all the configuration files saved in the configuration archive.

The Cisco IOS configuration archive, in which the configuration files are stored and available for use with the **configure replace** command, is in any of these file systems: FTP, HTTP, RCP, TFTP.

## Replacing a Configuration

The **configure replace** privileged EXEC command replaces the running configuration with any saved configuration file. When you enter the **configure replace** command, the running configuration is compared with the specified replacement configuration, and a set of configuration differences is generated. The resulting differences are used to replace the configuration. The configuration replacement operation is usually completed in no more than three passes. To prevent looping behavior no more than five passes are performed.

You can use the **copy source-url running-config** privileged EXEC command to copy a stored configuration file to the running configuration. When using this command as an alternative to the **configure replace target-url** privileged EXEC command, note these major differences:

- The **copy source-url running-config** command is a merge operation and preserves all the commands from both the source file and the running configuration. This command does not remove commands from the running configuration that are not present in the source file. In contrast, the **configure replace target-url** command removes commands from the running configuration that are not present in the replacement file and adds commands to the running configuration that are not present.
- You can use a partial configuration file as the source file for the **copy source-url running-config** command. You must use a complete configuration file as the replacement file for the **configure replace target-url** command.

## Rolling Back a Configuration

You can also use the **configure replace** command to roll back changes that were made since the previous configuration was saved. Instead of basing the rollback operation on a specific set of changes that were applied, the configuration rollback capability reverts to a specific configuration based on a saved configuration file.

If you want the configuration rollback capability, you must first save the running configuration before making any configuration changes. Then, after entering configuration changes, you can use that saved configuration file to roll back the changes by using the **configure replace target-url** command.

You can specify any saved configuration file as the rollback configuration. You are not limited to a fixed number of rollbacks, as is the case in some rollback models.

## Configuration Replacement and Rollback Guidelines

- Make sure that the switch has free memory larger than the combined size of the two configuration files (the running configuration and the saved replacement configuration). Otherwise, the configuration replacement operation fails.
- Make sure that the switch also has sufficient free memory to execute the configuration replacement or rollback configuration commands.

- Certain configuration commands, such as those pertaining to physical components of a networking device (for example, physical interfaces), cannot be added or removed from the running configuration.
  - A configuration replacement operation cannot remove the **interface** *interface-id* command line from the running configuration if that interface is physically present on the device.
  - The **interface** *interface-id* command line cannot be added to the running configuration if no such interface is physically present on the device.
- When using the **configure replace** command, you must specify a saved configuration as the replacement configuration file for the running configuration. The replacement file must be a complete configuration generated by a Cisco IOS device (for example, a configuration generated by the **copy running-config destination-url** command).

**Note**

If you generate the replacement configuration file externally, it must comply with the format of files generated by Cisco IOS devices.

## Configuring the Configuration Archive

Using the **configure replace** command with the configuration archive and with the **archive config** command is optional but offers significant benefit for configuration rollback scenarios. Before using the **archive config** command, you must first configure the configuration archive. Starting in privileged EXEC mode, follow these steps to configure the configuration archive:

	Command	Purpose
Step 1	<b>configure terminal</b>	Enter global configuration mode.
Step 2	<b>archive</b>	Enter archive configuration mode.
Step 3	<b>path</b> <i>url</i>	Specify the location and filename prefix for the files in the configuration archive.
Step 4	<b>maximum</b> <i>number</i>	(Optional) Set the maximum number of archive files of the running configuration to be saved in the configuration archive.  <i>number</i> —Maximum files of the running configuration file in the configuration archive. Valid values are from 1 to 14. The default is 10.  <b>Note</b> Before using this command, you must first enter the <b>path</b> archive configuration command to specify the location and filename prefix for the files in the configuration archive.
Step 5	<b>time-period</b> <i>minutes</i>	(Optional) Set the time increment for automatically saving an archive file of the running configuration in the configuration archive.  <i>minutes</i> —Specify how often, in minutes, to automatically save an archive file of the running configuration in the configuration archive.
Step 6	<b>end</b>	Return to privileged EXEC mode.
Step 7	<b>show running-config</b>	Verify the configuration.
Step 8	<b>copy running-config startup-config</b>	(Optional) Save your entries in the configuration file.

## Performing a Configuration Replacement or Rollback Operation

Beginning in privileged EXEC mode, follow these steps to replace the running configuration file with a saved configuration file:

	Command	Purpose
Step 1	<b>archive config</b>	(Optional) Save the running configuration file to the configuration archive.  <b>Note</b> Enter the <b>path</b> archive configuration command before using this command.
Step 2	<b>configure terminal</b>	Enter global configuration mode.
Step 3		Make necessary changes to the running configuration.
Step 4	<b>exit</b>	Return to privileged EXEC mode.
Step 5	<b>configure replace</b> <i>target-url</i> [ <b>list</b> ] [ <b>force</b> ] [ <b>time seconds</b> ] [ <b>nolock</b> ]	Replace the running configuration file with a saved configuration file.  <i>target-url</i> —URL (accessible by the file system) of the saved configuration file that is to replace the running configuration, such as the configuration file created in Step 2 by using the <b>archive config</b> privileged EXEC command.  <b>list</b> —Display a list of the command entries applied by the software parser during each pass of the configuration replacement operation. The total number of passes also appears.  <b>force</b> — Replace the running configuration file with the specified saved configuration file without prompting you for confirmation.  <b>time seconds</b> —Specify the time (in seconds) within which you must enter the <b>configure confirm</b> command to confirm replacement of the running configuration file. If you do not enter the <b>configure confirm</b> command within the specified time limit, the configuration replacement operation is automatically stopped. (In other words, the running configuration file is restored to the configuration that existed before you entered the <b>configure replace</b> command).  <b>Note</b> You must first enable the configuration archive before you can use the <b>time seconds</b> command line option.  <b>nolock</b> —Disable the locking of the running configuration file that prevents other users from changing the running configuration during a configuration replacement operation.
Step 6	<b>configure confirm</b>	(Optional) Confirm replacement of the running configuration with a saved configuration file.  <b>Note</b> Use this command only if the <b>time seconds</b> keyword and argument of the <b>configure replace</b> command are specified.
Step 7	<b>copy running-config startup-config</b>	(Optional) Save your entries in the configuration file.

# Working with Software Images

This section describes how to archive (download and upload) software image files, which contain the system software, the Cisco IOS code, and the embedded device manager software.



Note

---

Instead of using the **copy** privileged EXEC command or the **archive tar** privileged EXEC command, we recommend using the **archive download-sw** and **archive upload-sw** privileged EXEC commands to download and upload software image files.

---

You can download a switch image file from a TFTP, FTP, or RCP server to upgrade the switch software. For information about upgrading your switch by using a TFTP server, see the release notes

You can replace the current image with the new one or keep the current image in flash memory after a download.

You upload a switch image file to a TFTP, FTP, or RCP server for backup purposes. You can use this uploaded image for future downloads to the same switch or to another of the same type.

The protocol that you use depends on which type of server you are using. The FTP and RCP transport mechanisms provide faster performance and more reliable delivery of data than TFTP. These improvements are possible because FTP and RCP are built on and use the TCP/IP stack, which is connection-oriented.

These sections contain this configuration information:

- [Image Location on the Switch, page B-23](#)
- [tar File Format of Images on a Server or Cisco.com, page B-24](#)
- [Copying Image Files By Using TFTP, page B-24](#)
- [Copying Image Files By Using FTP, page B-28](#)
- [Copying Image Files By Using RCP, page B-32](#)



Note

---

For a list of software images and the supported upgrade paths, see the release notes for your switch.

---

## Image Location on the Switch

The Cisco IOS image is stored as a *.bin* file in a directory that shows the version number. A subdirectory contains the files needed for web management. The image is stored on the system board flash memory (flash:).

You can use the **show version** privileged EXEC command to see the software version that is currently running on your switch. In the display, check the line that begins with `System image file is...`. It shows the directory name in flash memory where the image is stored.

You can also use the **dir filesystem:** privileged EXEC command to see the directory names of other software images that you might have stored in flash memory.

## tar File Format of Images on a Server or Cisco.com

Software images located on a server or downloaded from Cisco.com are provided in a tar file format, which contains these files:

- An *info* file, which serves as a table of contents for the tar file
- One or more subdirectories containing other images and files, such as Cisco IOS images

This example shows some of the information contained in the info file. [Table B-3](#) provides additional details about this information:

```
version_suffix: image-name
version_directory: image-name
image_system_type_id: 0x00000000
image_name: image-name .bin
ios_image_file_size: 4526592
total_image_file_size: 4526592
image_feature: LAYER_2|MIN_DRAM_MEG=64
image_family: family
stacking_number: 1.11
board_ids: 0x00000029
info_end:
```



**Note** Disregard the `stacking_number` field. It does not apply to the switch.

**Table B-3** *info File Description*

Field	Description
<code>version_suffix</code>	Specifies the Cisco IOS image version string suffix
<code>version_directory</code>	Specifies the directory where the Cisco IOS image and the HTML subdirectory are installed
<code>image_name</code>	Specifies the name of the Cisco IOS image within the tar file
<code>ios_image_file_size</code>	Specifies the Cisco IOS image size in the tar file, which is an approximate measure of how much flash memory is required to hold just the Cisco IOS image
<code>total_image_file_size</code>	Specifies the size of all the images (the Cisco IOS image and the web management files) in the tar file, which is an approximate measure of how much flash memory is required to hold them
<code>image_feature</code>	Describes the core functionality of the image
<code>image_min_dram</code>	Specifies the minimum amount of DRAM needed to run this image
<code>image_family</code>	Describes the family of products on which the software can be installed

## Copying Image Files By Using TFTP

You can download a switch image from a TFTP server or upload the image from the switch to a TFTP server.

You download a switch image file from a server to upgrade the switch software. You can overwrite the current image with the new one or keep the current image after a download.

You upload a switch image file to a server for backup purposes; this uploaded image can be used for future downloads to the same or another switch of the same type.

**Note**

Instead of using the **copy** privileged EXEC command or the **archive tar** privileged EXEC command, we recommend using the **archive download-sw** and **archive upload-sw** privileged EXEC commands to download and upload software image files.

These sections contain this configuration information:

- [Preparing to Download or Upload an Image File By Using TFTP, page B-25](#)
- [Downloading an Image File By Using TFTP, page B-26](#)
- [Uploading an Image File By Using TFTP, page B-27](#)

## Preparing to Download or Upload an Image File By Using TFTP

Before you begin downloading or uploading an image file by using TFTP, do these tasks:

- Ensure that the workstation acting as the TFTP server is properly configured. On a Sun workstation, make sure that the `/etc/inetd.conf` file contains this line:

```
tftp dgram udp wait root /usr/etc/in.tftpd in.tftpd -p -s /tftpboot
```

Make sure that the `/etc/services` file contains this line:

```
tftp 69/udp
```

**Note**

You must restart the `inetd` daemon after modifying the `/etc/inetd.conf` and `/etc/services` files. To restart the daemon, either stop the `inetd` process and restart it, or enter a **fastboot** command (on the SunOS 4.x) or a **reboot** command (on Solaris 2.x or SunOS 5.x). For more information on the TFTP daemon, see the documentation for your workstation.

- Ensure that the switch has a route to the TFTP server. The switch and the TFTP server must be in the same subnetwork if you do not have a router to route traffic between subnets. Check connectivity to the TFTP server by using the **ping** command.
- Ensure that the image to be downloaded is in the correct directory on the TFTP server (usually `/tftpboot` on a UNIX workstation).
- For download operations, ensure that the permissions on the file are set correctly. The permission on the file should be world-read.
- Before uploading the image file, you might need to create an empty file on the TFTP server. To create an empty file, enter the **touch filename** command, where *filename* is the name of the file you will use when uploading the image to the server.
- During upload operations, if you are overwriting an existing file (including an empty file, if you had to create one) on the server, ensure that the permissions on the file are set correctly. Permissions on the file should be world-write.

## Downloading an Image File By Using TFTP

You can download a new image file and replace the current image or keep the current image.

Beginning in privileged EXEC mode, follow Steps 1 through 3 to download a new image from a TFTP server and overwrite the existing image. To keep the current image, go to Step 3.

	Command	Purpose
Step 1		Copy the image to the appropriate TFTP directory on the workstation. Make sure the TFTP server is properly configured; see the <a href="#">“Preparing to Download or Upload an Image File By Using TFTP”</a> section on page B-25.
Step 2		Log into the switch through the console port or a Telnet session.
Step 3	<b>archive download-sw /overwrite /reload tftp:[[/location]/directory]/image-name.tar</b>	Download the image file from the TFTP server to the switch, and overwrite the current image. <ul style="list-style-type: none"> <li>• The <b>/overwrite</b> option overwrites the software image in flash memory with the downloaded image.</li> <li>• The <b>/reload</b> option reloads the system after downloading the image unless the configuration has been changed and not been saved.</li> <li>• For <i>//location</i>, specify the IP address of the TFTP server.</li> <li>• For <i>/directory/image-name.tar</i>, specify the directory (optional) and the image to download. Directory and image names are case sensitive.</li> </ul>
Step 4	<b>archive download-sw /leave-old-sw /reload tftp:[[/location]/directory]/image-name.tar</b>	Download the image file from the TFTP server to the switch, and keep the current image. <ul style="list-style-type: none"> <li>• The <b>/leave-old-sw</b> option keeps the old software version after a download.</li> <li>• The <b>/reload</b> option reloads the system after downloading the image unless the configuration has been changed and not been saved.</li> <li>• For <i>//location</i>, specify the IP address of the TFTP server.</li> <li>• For <i>/directory/image-name.tar</i>, specify the directory (optional) and the image to download. Directory and image names are case sensitive.</li> </ul>

The download algorithm verifies that the image is appropriate for the switch model and that enough DRAM is present, or it aborts the process and reports an error. If you specify the **/overwrite** option, the download algorithm removes the existing image on the flash device whether or not it is the same as the new one, downloads the new image, and then reloads the software.



### Note

If the flash device has sufficient space to hold two images and you want to overwrite one of these images with the same version, you must specify the **/overwrite** option.



If you specify the **/leave-old-sw**, the existing files are not removed. If there is not enough space to install the new image and keep the current running image, the download process stops, and an error message is displayed.

The algorithm installs the downloaded image on the system board flash device (flash:). The image is placed into a new directory named with the software version string, and the BOOT environment variable is updated to point to the newly installed image.

If you kept the old image during the download process (you specified the **/leave-old-sw** keyword), you can remove it by entering the **delete /force /recursive filesystem:/file-url** privileged EXEC command. For *filesystem*, use **flash:** for the system board flash device. For *file-url*, enter the directory name of the old image. All the files in the directory and the directory are removed.



Caution

For the download and upload algorithms to operate properly, do *not* rename image names.

## Uploading an Image File By Using TFTP

You can upload an image from the switch to a TFTP server. You can later download this image to the switch or to another switch of the same type.

Use the upload feature only if the web management pages associated with the embedded device manager have been installed with the existing image.

Beginning in privileged EXEC mode, follow these steps to upload an image to a TFTP server:

	Command	Purpose
Step 1		Make sure the TFTP server is properly configured; see the <a href="#">“Preparing to Download or Upload an Image File By Using TFTP” section on page B-25</a> .
Step 2		Log into the switch through the console port or a Telnet session.
Step 3	<b>archive upload-sw</b> <b>tftp:[[/location]/directory]/image-name.tar</b>	Upload the currently running switch image to the TFTP server. <ul style="list-style-type: none"> <li>For <i>//location</i>, specify the IP address of the TFTP server.</li> <li>For <i>/directory/image-name.tar</i>, specify the directory (optional) and the name of the software image to be uploaded. Directory and image names are case sensitive. The <i>image-name.tar</i> is the name of the software image to be stored on the server.</li> </ul>

The **archive upload-sw** privileged EXEC command builds an image file on the server by uploading these files in order: info, the Cisco IOS image, and the web management files. After these files are uploaded, the upload algorithm creates the tar file format.



Caution

For the download and upload algorithms to operate properly, do *not* rename image names.

## Copying Image Files By Using FTP

You can download a switch image from an FTP server or upload the image from the switch to an FTP server.

You download a switch image file from a server to upgrade the switch software. You can overwrite the current image with the new one or keep the current image after a download.

You upload a switch image file to a server for backup purposes. You can use this uploaded image for future downloads to the switch or another switch of the same type.



### Note

Instead of using the **copy** privileged EXEC command or the **archive tar** privileged EXEC command, we recommend using the **archive download-sw** and **archive upload-sw** privileged EXEC commands to download and upload software image files.

These sections contain this configuration information:

- [Preparing to Download or Upload an Image File By Using FTP, page B-28](#)
- [Downloading an Image File By Using FTP, page B-29](#)
- [Uploading an Image File By Using FTP, page B-31](#)

## Preparing to Download or Upload an Image File By Using FTP

You can copy images files to or from an FTP server.

The FTP protocol requires a client to send a remote username and password on each FTP request to a server. When you copy an image file from the switch to a server by using FTP, the Cisco IOS software sends the first valid username in this list:

- The username specified in the **archive download-sw** or **archive upload-sw** privileged EXEC command if a username is specified.
- The username set by the **ip ftp username *username*** global configuration command if the command is configured.
- Anonymous.

The switch sends the first valid password in this list:

- The password specified in the **archive download-sw** or **archive upload-sw** privileged EXEC command if a password is specified.
- The password set by the **ip ftp password *password*** global configuration command if the command is configured.
- The switch forms a password named *username@switchname.domain*. The variable *username* is the username associated with the current session, *switchname* is the configured hostname, and *domain* is the domain of the switch.

The username and password must be associated with an account on the FTP server. If you are writing to the server, the FTP server must be properly configured to accept the FTP write request from you.

Use the **ip ftp username** and **ip ftp password** commands to specify a username and password for all copies. Include the username in the **archive download-sw** or **archive upload-sw** privileged EXEC command if you want to specify a username only for that operation.

If the server has a directory structure, the image file is written to or copied from the directory associated with the username on the server. For example, if the image file resides in the home directory of a user on the server, specify that user's name as the remote username.

Before you begin downloading or uploading an image file by using FTP, do these tasks:

- Ensure that the switch has a route to the FTP server. The switch and the FTP server must be in the same subnetwork if you do not have a router to route traffic between subnets. Check connectivity to the FTP server by using the **ping** command.
- If you are accessing the switch through the console or a Telnet session and you do not have a valid username, make sure that the current FTP username is the one that you want to use for the FTP download. You can enter the **show users** privileged EXEC command to view the valid username. If you do not want to use this username, create a new FTP username by using the **ip ftp username *username*** global configuration command. This new name will be used during all archive operations. The new username is stored in NVRAM. If you are accessing the switch through a Telnet session and you have a valid username, this username is used, and you do not need to set the FTP username. Include the username in the **archive download-sw** or **archive upload-sw** privileged EXEC command if you want to specify a username for that operation only.
- When you upload an image file to the FTP server, it must be properly configured to accept the write request from the user on the switch.

For more information, see the documentation for your FTP server.

## Downloading an Image File By Using FTP

You can download a new image file and overwrite the current image or keep the current image.

Beginning in privileged EXEC mode, follow Steps 1 through 7 to download a new image from an FTP server and overwrite the existing image. To keep the current image, go to Step 7.

	Command	Purpose
Step 1		Verify that the FTP server is properly configured by referring to the <a href="#">“Preparing to Download or Upload an Image File By Using FTP”</a> section on page B-28.
Step 2		Log into the switch through the console port or a Telnet session.
Step 3	<b>configure terminal</b>	Enter global configuration mode.  This step is required only if you override the default remote username or password (see Steps 4, 5, and 6).
Step 4	<b>ip ftp username <i>username</i></b>	(Optional) Change the default remote username.
Step 5	<b>ip ftp password <i>password</i></b>	(Optional) Change the default password.
Step 6	<b>end</b>	Return to privileged EXEC mode.

Command	Purpose
Step 7 <b>archive download-sw /overwrite /reload</b> <b>ftp:[[/username[:password]@location]/directory]</b> <b>image-name.tar</b>	Download the image file from the FTP server to the switch, and overwrite the current image. <ul style="list-style-type: none"> <li>• The <b>/overwrite</b> option overwrites the software image in flash memory with the downloaded image.</li> <li>• The <b>/reload</b> option reloads the system after downloading the image unless the configuration has been changed and not been saved.</li> <li>• For <i>//username[:password]</i>, specify the username and password; these must be associated with an account on the FTP server. For more information, see the <a href="#">“Preparing to Download or Upload an Image File By Using FTP”</a> section on page B-28.</li> <li>• For <i>@location</i>, specify the IP address of the FTP server.</li> <li>• For <i>directory/image-name.tar</i>, specify the directory (optional) and the image to download. Directory and image names are case sensitive.</li> </ul>
Step 8 <b>archive download-sw /leave-old-sw /reload</b> <b>ftp:[[/username[:password]@location]/directory]</b> <b>image-name.tar</b>	Download the image file from the FTP server to the switch, and keep the current image. <ul style="list-style-type: none"> <li>• The <b>/leave-old-sw</b> option keeps the old software version after a download.</li> <li>• The <b>/reload</b> option reloads the system after downloading the image unless the configuration has been changed and not been saved.</li> <li>• For <i>//username[:password]</i>, specify the username and password. These must be associated with an account on the FTP server. For more information, see the <a href="#">“Preparing to Download or Upload an Image File By Using FTP”</a> section on page B-28.</li> <li>• For <i>@location</i>, specify the IP address of the FTP server.</li> <li>• For <i>directory/image-name.tar</i>, specify the directory (optional) and the image to download. Directory and image names are case sensitive.</li> </ul>

The download algorithm verifies that the image is appropriate for the switch model and that enough DRAM is present, or it aborts the process and reports an error. If you specify the **/overwrite** option, the download algorithm removes the existing image on the flash device, whether or not it is the same as the new one, downloads the new image, and then reloads the software.


**Note**

If the flash device has sufficient space to hold two images and you want to overwrite one of these images with the same version, you must specify the **/overwrite** option.

If you specify the **/leave-old-sw**, the existing files are not removed. If there is not enough space to install the new image and keep the running image, the download process stops, and an error message is displayed.

The algorithm installs the downloaded image onto the system board flash device (flash:). The image is placed into a new directory named with the software version string, and the BOOT environment variable is updated to point to the newly installed image.

If you kept the old image during the download process (you specified the `/leave-old-sw` keyword), you can remove it by entering the `delete /force /recursive filesystem:/file-url` privileged EXEC command. For `filesystem`, use **flash:** for the system board flash device. For `file-url`, enter the directory name of the old software image. All the files in the directory and the directory are removed.



Caution

For the download and upload algorithms to operate properly, do *not* rename image names.

## Uploading an Image File By Using FTP

You can upload an image from the switch to an FTP server. You can later download this image to the same switch or to another switch of the same type.

Use the upload feature only if the web management pages associated with the embedded device manager have been installed with the existing image.

Beginning in privileged EXEC mode, follow these steps to upload an image to an FTP server:

	Command	Purpose
Step 1		Verify that the FTP server is properly configured by referring to the <a href="#">“Preparing to Download or Upload a Configuration File By Using FTP”</a> section on page B-13.
Step 2		Log into the switch through the console port or a Telnet session.
Step 3	<b>configure terminal</b>	Enter global configuration mode. This step is required only if you override the default remote username or password (see Steps 4, 5, and 6).
Step 4	<b>ip ftp username</b> <i>username</i>	(Optional) Change the default remote username.
Step 5	<b>ip ftp password</b> <i>password</i>	(Optional) Change the default password.
Step 6	<b>end</b>	Return to privileged EXEC mode.
Step 7	<b>archive upload-sw</b> <b>ftp:[[/[username[:password]@]location]/directory]/</b> <b>image-name.tar</b>	Upload the currently running switch image to the FTP server. <ul style="list-style-type: none"> <li>For <code>//username:password</code>, specify the username and password. These must be associated with an account on the FTP server. For more information, see the <a href="#">“Preparing to Download or Upload an Image File By Using FTP”</a> section on page B-28.</li> <li>For <code>@location</code>, specify the IP address of the FTP server.</li> <li>For <code>/directory/image-name.tar</code>, specify the directory (optional) and the name of the software image to be uploaded. Directory and image names are case sensitive. The <code>image-name.tar</code> is the name of the software image to be stored on the server.</li> </ul>

The **archive upload-sw** command builds an image file on the server by uploading these files in order: info, the Cisco IOS image, and the web management files. After these files are uploaded, the upload algorithm creates the tar file format.


**Caution**

For the download and upload algorithms to operate properly, do *not* rename image names.

## Copying Image Files By Using RCP

You can download a switch image from an RCP server or upload the image from the switch to an RCP server.

You download a switch image file from a server to upgrade the switch software. You can overwrite the current image with the new one or keep the current image after a download.

You upload a switch image file to a server for backup purposes. You can use this uploaded image for future downloads to the same switch or another of the same type.


**Note**

Instead of using the **copy** privileged EXEC command or the **archive tar** privileged EXEC command, we recommend using the **archive download-sw** and **archive upload-sw** privileged EXEC commands to download and upload software image files.

These sections contain this configuration information:

- [Preparing to Download or Upload an Image File By Using RCP, page B-32](#)
- [Downloading an Image File By Using RCP, page B-33](#)
- [Uploading an Image File By Using RCP, page B-35](#)

## Preparing to Download or Upload an Image File By Using RCP

RCP provides another method of downloading and uploading image files between remote hosts and the switch. Unlike TFTP, which uses User Datagram Protocol (UDP), a connectionless protocol, RCP uses TCP, which is connection-oriented.

To use RCP to copy files, the server from or to which you will be copying files must support RCP. The RCP copy commands rely on the rsh server (or daemon) on the remote system. To copy files by using RCP, you do not need to create a server for file distribution as you do with TFTP. You only need to have access to a server that supports the remote shell (rsh). (Most UNIX systems support rsh.) Because you are copying a file from one place to another, you must have read permission on the source file and write permission on the destination file. If the destination file does not exist, RCP creates it for you.

RCP requires a client to send a remote username on each RCP request to a server. When you copy an image from the switch to a server by using RCP, the Cisco IOS software sends the first valid username in this list:

- The username specified in the **archive download-sw** or **archive upload-sw** privileged EXEC command if a username is specified.
- The username set by the **ip rcmd remote-username *username*** global configuration command if the command is entered.

- The remote username associated with the current TTY (terminal) process. For example, if the user is connected to the router through Telnet and was authenticated through the **username** command, the switch software sends the Telnet username as the remote username.
- The switch hostname.

For the RCP copy request to execute successfully, an account must be defined on the network server for the remote username. If the server has a directory structure, the image file is written to or copied from the directory associated with the remote username on the server. For example, if the image file resides in the home directory of a user on the server, specify that user's name as the remote username.

Before you begin downloading or uploading an image file by using RCP, do these tasks:

- Ensure that the workstation acting as the RCP server supports the remote shell (rsh).
- Ensure that the switch has a route to the RCP server. The switch and the server must be in the same subnetwork if you do not have a router to route traffic between subnets. Check connectivity to the RCP server by using the **ping** command.
- If you are accessing the switch through the console or a Telnet session and you do not have a valid username, make sure that the current RCP username is the one that you want to use for the RCP download. You can enter the **show users** privileged EXEC command to view the valid username. If you do not want to use this username, create a new RCP username by using the **ip rcmd remote-username username** global configuration command to be used during all archive operations. The new username is stored in NVRAM. If you are accessing the switch through a Telnet session and you have a valid username, this username is used, and there is no need to set the RCP username. Include the username in the **archive download-sw** or **archive upload-sw** privileged EXEC command if you want to specify a username only for that operation.
- When you upload an image to the RCP to the server, it must be properly configured to accept the RCP write request from the user on the switch. For UNIX systems, you must add an entry to the **.rhosts** file for the remote user on the RCP server. For example, suppose the switch contains these configuration lines:

```
hostname Switch1
ip rcmd remote-username User0
```

If the switch IP address translates to *Switch1.company.com*, the **.rhosts** file for User0 on the RCP server should contain this line:

```
Switch1.company.com Switch1
```

For more information, see the documentation for your RCP server.

## Downloading an Image File By Using RCP

You can download a new image file and replace or keep the current image.

Beginning in privileged EXEC mode, follow Steps 1 through 6 to download a new image from an RCP server and overwrite the existing image. To keep the current image, go to Step 6.

	Command	Purpose
Step 1		Verify that the RCP server is properly configured by referring to the <a href="#">“Preparing to Download or Upload an Image File By Using RCP”</a> section on page B-32.
Step 2		Log into the switch through the console port or a Telnet session.

	Command	Purpose
Step 3	<b>configure terminal</b>	Enter global configuration mode.  This step is required only if you override the default remote username (see Steps 4 and 5).
Step 4	<b>ip rcmd remote-username</b> <i>username</i>	(Optional) Specify the remote username.
Step 5	<b>end</b>	Return to privileged EXEC mode.
Step 6	<b>archive download-sw /overwrite /reload</b> <b>rcp:</b> [[[//[ <i>username@</i> ] <i>location</i> ]/ <i>directory</i> ]/ <i>image-name.tar</i> ]	Download the image file from the RCP server to the switch, and overwrite the current image. <ul style="list-style-type: none"> <li>• The <b>/overwrite</b> option overwrites the software image in flash memory with the downloaded image.</li> <li>• The <b>/reload</b> option reloads the system after downloading the image unless the configuration has been changed and not been saved.</li> <li>• For <i>//username</i>, specify the username. For the RCP copy request to execute successfully, an account must be defined on the network server for the remote username. For more information, see the “<a href="#">Preparing to Download or Upload an Image File By Using RCP</a>” section on page B-32.</li> <li>• For <i>@location</i>, specify the IP address of the RCP server.</li> <li>• For <i>/directory/image-name.tar</i>, specify the directory (optional) and the image to download. Directory and image names are case sensitive.</li> </ul>
Step 7	<b>archive download-sw /leave-old-sw /reload</b> <b>rcp:</b> [[[//[ <i>username@</i> ] <i>location</i> ]/ <i>directory</i> ]/ <i>image-name.tar</i> ]	Download the image file from the RCP server to the switch, and keep the current image. <ul style="list-style-type: none"> <li>• The <b>/leave-old-sw</b> option keeps the old software version after a download.</li> <li>• The <b>/reload</b> option reloads the system after downloading the image unless the configuration has been changed and not been saved.</li> <li>• For <i>//username</i>, specify the username. For the RCP copy request to execute, an account must be defined on the network server for the remote username. For more information, see the “<a href="#">Preparing to Download or Upload an Image File By Using RCP</a>” section on page B-32.</li> <li>• For <i>@location</i>, specify the IP address of the RCP server.</li> <li>• <b>For</b> <i>/directory/image-name.tar</i>, specify the directory (optional) and the image to download. Directory and image names are case sensitive.</li> </ul>

The download algorithm verifies that the image is appropriate for the switch model and that enough DRAM is present, or it aborts the process and reports an error. If you specify the **/overwrite** option, the download algorithm removes the existing image on the flash device whether or not it is the same as the new one, downloads the new image, and then reloads the software.



**Note**

If the flash device has sufficient space to hold two images and you want to overwrite one of these images with the same version, you must specify the **/overwrite** option.

If you specify the **/leave-old-sw**, the existing files are not removed. If there is not enough room to install the new image and keep the running image, the download process stops, and an error message is displayed.

The algorithm installs the downloaded image onto the system board flash device (flash:). The image is placed into a new directory named with the software version string, and the BOOT environment variable is updated to point to the newly installed image.

If you kept the old software during the download process (you specified the **/leave-old-sw** keyword), you can remove it by entering the **delete /force /recursive filesystem:/file-url** privileged EXEC command. For *filesystem*, use **flash:** for the system board flash device. For *file-url*, enter the directory name of the old software image. All the files in the directory and the directory are removed.

**Caution**

For the download and upload algorithms to operate properly, do *not* rename image names.

## Uploading an Image File By Using RCP

You can upload an image from the switch to an RCP server. You can later download this image to the same switch or to another switch of the same type.

The upload feature should be used only if the web management pages associated with the embedded device manager have been installed with the existing image.

Beginning in privileged EXEC mode, follow these steps to upload an image to an RCP server:

	Command	Purpose
Step 1		Verify that the RCP server is properly configured by referring to the <a href="#">“Preparing to Download or Upload an Image File By Using RCP”</a> section on page B-32.
Step 2		Log into the switch through the console port or a Telnet session.
Step 3	<b>configure terminal</b>	Enter global configuration mode.  This step is required only if you override the default remote username (see Steps 4 and 5).
Step 4	<b>ip rcmd remote-username</b> <i>username</i>	(Optional) Specify the remote username.

	Command	Purpose
Step 5	<b>end</b>	Return to privileged EXEC mode.
Step 6	<b>archive upload-sw</b> <b>rcp:[[[//[username@]location]/directory]/image-name.tar]</b>	<p>Upload the currently running switch image to the RCP server.</p> <ul style="list-style-type: none"> <li>For <i>//username</i>, specify the username; for the RCP copy request to execute, an account must be defined on the network server for the remote username. For more information, see the “<a href="#">Preparing to Download or Upload an Image File By Using RCP</a>” section on page B-32.</li> <li>For <i>@location</i>, specify the IP address of the RCP server.</li> <li>For <i>/directory]/image-name.tar</i>, specify the directory (optional) and the name of the software image to be uploaded. Directory and image names are case sensitive.</li> <li>The <i>image-name.tar</i> is the name of software image to be stored on the server.</li> </ul>

The **archive upload-sw** privileged EXEC command builds an image file on the server by uploading these files in order: info, the Cisco IOS image, and the web management files. After these files are uploaded, the upload algorithm creates the tar file format.

**Caution**

For the download and upload algorithms to operate properly, do *not* rename image names.



## Unsupported Commands in Cisco IOS Release 12.2(55)SE

---

This appendix lists some of the command-line interface (CLI) commands that appear when you enter the question mark (?) at the Cisco ME 3400E Ethernet Access switch prompt but are not supported in this release, either because they are not tested or because of switch hardware limitations. This is not a complete list. The unsupported commands are listed by software feature and command mode.

### Access Control Lists

#### Unsupported Privileged EXEC Commands

**access-enable** [host] [timeout *minutes*]

**access-template** [*access-list-number* | *name*] [*dynamic-name*] [*source*] [*destination*] [timeout *minutes*]

**clear access-template** [*access-list-number* | *name*] [*dynamic-name*] [*source*] [*destination*].

#### Unsupported Global Configuration Commands

**access-list rate-limit** *acl-index* {*precedence* | **mask** *prec-mask*}

**access-list dynamic extended**

### ARP Commands

#### Unsupported Global Configuration Commands

**arp** *ip-address hardware-address smds*

**arp** *ip-address hardware-address srp-a*

**arp** *ip-address hardware-address srp-b*

## Unsupported Interface Configuration Commands

arp probe  
ip probe proxy

## Boot Loader Commands

### Unsupported Privileged EXEC Command

clear ip cgmp

### Unsupported Interface Configuration Command

ip cgmp

## CGMP Commands

### Unsupported User EXEC Command

verify

### Unsupported Global Configuration Command

boot buffersize

## Debug Commands

debug dot1x feature  
debug platform cli-redirection main  
debug platform configuration  
debug qos

# Embedded Event Manager

## Unsupported Privileged EXEC Commands

**event manager update user policy** [*policy-filename* | *group* [*group name expression*] ] | *repository* [*url location*]

Parameters are not supported for this command:

**event manager run** [*policy name*] |<*paramater1*>|... <*paramater15*>|

## Unsupported Global Configuration Commands

**no event manager directory user repository** [*url location*]

**event manager applet** [*applet-name*] maxrun

## Unsupported Commands in Applet Configuration Mode

**no event interface name** [*interface-name*] **parameter** [*counter-name*] entry-val [*entry counter value*]  
**entry-op** { *gt* | *ge* | *eq* | *ne* | *lt* | *le* } **entry-type** { *increment* | *rate* | *value* } [**exit-val** [*exit value*] **exit-op**  
 { *gt* | *ge* | *eq* | *ne* | *lt* | *le* } **exit-type** { *increment* | *rate* | *value* }][**average-factor** <*average-factor-value*>]

**no trigger**

**tag**

# HSRP

## Unsupported Global Configuration Commands

**interface Async**

**interface BVI**

**interface Dialer**

**interface Group-Async**

**interface Lex**

**interface Multilink**

**interface Virtual-Template**

**interface Virtual-Tokenring**

## Unsupported Interface Configuration Commands

**mtu**

**standby mac-refresh** *seconds*  
**standby use-bia**

## IEEE 802.1x

### Unsupported Global Configuration Command

**dot1x critical**

### Unsupported Interface Configuration Commands

**dot1x auth-fail**  
**dot1x control-direction**  
**dot1x critical**  
**dot1x host-mode multi-domain**  
**mab**  
**dot1x pae**



Note

---

The switch does not support the IEEE 802.1x MAC authentication bypass or guest VLAN features.

---

### Unsupported Privileged EXEC Commands

**clear dot1x**  
**clear eap sessions**  
**show eap**

### Unsupported Global Configuration Command

**dot1x critical** {eapol | recovery delay *ms*}

### Unsupported Interface Configuration Commands

**dot1x auth-fail** {max-attempts *number*| vlan *vlan-id*}  
**dot1x control-direction** {both | in}  
**dot1x critical** [recovery action **reinitialize** | vlan *vlan-id*]  
**dot1x control-direction** {both | in}  
**mab**  
**dot1x mac-reauth-req**

```
dot1x pae
dot1x timeout rate-limit period
```

## IGMP Snooping Commands

### Unsupported Global Configuration Commands

```
ip igmp snooping source-only-learning
```

## Interface Commands

### Unsupported Privileged EXEC Commands

```
show interfaces [interface-id | vlan vlan-id] [crb | fair-queue | irb | mac-accounting | precedence | irb | random-detect | rate-limit | shape]
```

### Unsupported Global Configuration Commands

```
interface tunnel
```

### Unsupported Interface Configuration Commands

```
transmit-interface type number
```

## IP Multicast Routing

### Unsupported Privileged EXEC Commands

```
clear ip rtp header-compression [type number]
```

```
clear ip dvmrp route commands
```

```
debug ip dvmrp commands
```

The **debug ip packet** command displays packets received by the switch CPU. It does not display packets that are hardware-switched.

The **debug ip mcache** command affects packets received by the switch CPU. It does not display packets that are hardware-switched.

The **debug ip mpacket** [**detail**] [*access-list-number* [*group-name-or-address*]] command affects only packets received by the switch CPU. Because most multicast packets are hardware-switched, use this command only when you know that the route will forward the packet to the CPU.

**debug ip pim atm**

**show frame-relay ip rtp header-compression** [*interface type number*]

**show ip dvmrp route** commands

The **show ip mcache** command displays entries in the cache for those packets that are sent to the switch CPU. Because most multicast packets are switched in hardware without CPU involvement, you can use this command, but multicast packet information is not displayed.

The **show ip mpacket** commands are supported but are only useful for packets received at the switch CPU. If the route is hardware-switched, the command has no effect because the CPU does not receive the packet and cannot display it.

**show ip pim vc** [*group-address | name*] [*type number*]

**show ip rtp header-compression** [*type number*] [**detail**]

## Unsupported Global Configuration Commands

All **ip dvmrp** commands

**ip pim accept-rp** {*address | auto-rp*} [*group-access-list-number*]

**ip pim message-interval** *seconds*

**ip pim register-rate-limit**

## Unsupported Interface Configuration Commands

**frame-relay ip rtp header-compression** [**active | passive**]

**frame-relay map ip** *ip-address dlc* [**broadcast**] **compress**

**frame-relay map ip** *ip-address dlc rtp header-compression* [**active | passive**]

All **ip dvmrp** commands

**ip igmp helper-address** *ip-address*

**ip multicast helper-map** {*group-address | broadcast*} {*broadcast-address | multicast-address*} *extended-access-list-number*

**ip multicast rate-limit** {**in | out**} [**video | whiteboard**] [**group-list** *access-list*] [**source-list** *access-list*] *kbps*

**ip multicast ttl-threshold** *ttl-value* (instead, use the **ip multicast boundary** *access-list-number* interface configuration command)

**ip multicast use-functional**

**ip pim minimum-vc-rate** *pps*

**ip pim multipoint-signalling**

**ip pim nbma-mode**

**ip pim vc-count** *number*

**ip rtp compression-connections** *number*

**ip rtp header-compression** [**passive**]



# IP Unicast Routing

## Unsupported Privileged EXEC or User EXEC Commands

```
clear ip accounting [checkpoint]
clear ip bgp address flap-statistics
clear ip bgp prefix-list
debug ip cef stats
show cef [drop | not-cef-switched]
show ip accounting [checkpoint] [output-packets | access-violations]
show ip bgp dampened-paths
show ip bgp inconsistent-as
show ip bgp regexp regular expression
show ipv6 (all)
```

## Unsupported Global Configuration Commands

```
ip accounting-list ip-address wildcard
ip accounting-transits count
ip cef accounting [per-prefix] [non-recursive]
ip cef traffic-statistics [load-interval seconds] [update-rate seconds]
ip flow-aggregation
ip flow-cache
ip flow-export
ip gratuitous-arps
ip local
ip reflexive-list
router egp
router isis
router iso-igrp
router mobile
router odr
router static
```

## Unsupported Interface Configuration Commands

```
dampening
ip load-sharing [per-packet]
ip accounting
```

**ip load-sharing** [**per-packet**]  
**ip mtu** *bytes*  
**ip ospf dead-interval minimal hello-multiplier** *multiplier*  
**ip verify**  
**ip unnumbered** *type number*  
 All **ip security** commands

## Unsupported BGP Router Configuration Commands

**address-family** **vpnv4**  
**default-information** **originate**  
**neighbor** **advertise-map**  
**neighbor** **allowas-in**  
**neighbor** **default-originate**  
**neighbor** **description**  
**network** **backdoor**  
**table-map**

## Unsupported VPN Configuration Commands

All

## Unsupported Route Map Commands

**match** **route-type** for policy-based routing (PBR)  
**set** **as-path** {**tag** | **prepend** *as-path-string*}  
**set** **automatic-tag**  
**set** **dampening** *half-life reuse suppress max-suppress-time*  
**set** **default** **interface** *interface-id [interface-id.....]*  
**set** **interface** *interface-id [interface-id.....]*  
**set** **ip** **default** **next-hop** *ip-address [ip-address.....]*  
**set** **ip** **destination** *ip-address mask*  
**set** **ip** **precedence** *value*  
**set** **ip** *qos-group*  
**set** **metric-type** **internal**  
**set** **origin**  
**set** **metric-type** **internal**

# MAC Address

## Unsupported Privileged EXEC Commands

`show mac-address-table`

`show mac-address-table address`

`show mac-address-table aging-time`

`show mac-address-table count`

`show mac-address-table dynamic`

`show mac-address-table interface`

`show mac-address-table multicaset`

`show mac-address-table notification`

`show mac-address-table static`

`show mac-address-table vlan`

`show mac address-table multicast`



---

**Note** Use the `show ip igmp snooping groups` privileged EXEC command to display Layer 2 multicast address-table entries for a VLAN.

---

## Unsupported Global Configuration Commands

`mac-address-table aging-time`

`mac-address-table notification`

`mac-address-table static`

# Miscellaneous

## Unsupported User EXEC Commands

`verify`

## Unsupported Privileged EXEC Commands

`archive config`

`file verify auto`

`remote command all`

`show archive config`

**show archive log**  
**show cable-diagnostics prbs**  
**show power inline**  
**test cable-diagnostics prbs**

## Unsupported Global Configuration Commands

**exception crashinfo**  
**errdisable detect cause dhcp-rate-limit**  
**errdisable recovery cause dhcp-rate-limit**  
**errdisable recovery cause unicast flood**  
**l2protocol-tunnel global drop-threshold**  
**memory reserve critical**  
**power inline consumption default *wattage***  
**service compress-config**  
**stack-mac persistent timer**  
**track *object-number* rtr**

## Unsupported show platform Commands

**show platform ip unicast vrf {*compaction* | *team-label*}**  
**show platform ipv6 unicast**  
**show platform tb**

## MSDP

## Unsupported Privileged EXEC Commands

**show access-expression**  
**show exception**  
**show location**  
**show pm LINE**  
**show smf [*interface-id*]**  
**show subscriber-policy [*policy-number*]**  
**show template [*template-name*]**

## Unsupported Global Configuration Commands

**ip msdp default-peer** *ip-address* | *name* [**prefix-list** *list*] (Because BGP/MBGP is not supported, use the **ip msdp peer** command instead of this command.)

## NetFlow

### Unsupported Global Configuration Commands

**ip flow-aggregation** *cache*

**ip flow-cache** *entries*

**ip flow-export**

## QoS

### Unsupported Global Configuration Command

**priority-list**

### Unsupported Interface Configuration Command

**priority-group**

### Unsupported policy-map Class Police Configuration Mode Command

**conform-color** *class-map* **police** *configuration*

## RADIUS

### Unsupported Global Configuration Commands

**aaa authentication** *feature* **default** **enable**

**aaa authentication** *feature* **default** **line**

**aaa nas** **port** **extended**

**authentication** **command** **bounce-port** **ignore**

**authentication** **command** **disable-port** **ignore**

**radius-server** **attribute** **nas-port**

`radius-server configure`  
`radius-server extended-portnames`

## SNMP

### Unsupported Global Configuration Commands

`snmp-server enable informs`  
`snmp-server ifindex persist`

## Spanning Tree

### Unsupported Global Configuration Command

`spanning-tree pathcost method {long | short}`  
`spanning-tree transmit hold-count`

### Unsupported Interface Configuration Command

`spanning-tree stack-port`

## Storm Control



#### Note

---

Although visible in the command line interface, commands for configuring small-frame thresholds are not needed on the switch because the existing broadcast storm disable feature correctly handles small frames.

---

### Unsupported Global Configuration Command

`errdisable detect cause small-frame`  
`errdisable recovery cause small-frame`

### Unsupported Interface Configuration Command

`small-frame violation rate`

# VLAN

## Unsupported Global Configuration Command

```
vlan internal allocation policy { ascending | descending }
```

## Unsupported User EXEC Commands

```
show running-config vlan
```

```
show vlan ifindex
```

```
vlan database
```

## Unsupported VLAN Database Commands

```
vtp
```

```
vlan
```







## I N D E X

---

### Numerics

- 1-rate, 2-color policing [34-16](#)
- 2-rate, 3-color policing [34-17](#)
- 802.1ad
  - configuration guidelines [14-14](#)
  - configuring [14-13](#)
  - supported features [14-13](#)
- 802.1ad EtherChannels
  - configuration example [14-15](#)
  - configuration guidelines [14-14, 14-15](#)
- 802.1ad ports [34-5](#)
- 802.1ad QoS
  - configuration examples [34-90](#)
  - configuration guidelines [34-89](#)
  - configuring [34-89](#)
- 802.1ad split horizon
  - configuration guidelines [14-14](#)
  - configuring [14-18](#)
- 802.1Q ports and CoS mapping [34-8](#)
- 802.1Q tag for ingress QoS classification [34-78](#)
- 802.1Q tunneling
  - QoS classification [34-78](#)

---

### A

- abbreviating commands [2-3](#)
- ABRs [36-23](#)
- access-class command [32-18](#)
- access control entries
  - See ACEs
- access-denied response, VMPS [12-24](#)
- access groups

- applying IPv4 ACLs to interfaces [32-19](#)
  - Layer 2 [32-19](#)
  - Layer 3 [32-20](#)
- access lists
  - See ACLs
- access ports
  - and Layer 2 protocol tunneling [14-23](#)
  - defined [10-4](#)
- accounting
  - with IEEE 802.1x [9-5, 9-23](#)
  - with RADIUS [8-28](#)
  - with TACACS+ [8-11, 8-17](#)
- ACEs
  - defined [32-2](#)
  - Ethernet [32-2](#)
  - IP [32-2](#)
- ACL classification, QoS [34-11](#)
- ACLs
  - ACEs [32-2](#)
  - any keyword [32-12, 34-39](#)
  - applying
    - on multicast packets [32-38](#)
    - on routed packets [32-37](#)
    - on switched packets [32-37](#)
    - time ranges to [32-16](#)
    - to an interface [32-19, 39-7](#)
    - to IPv6 interfaces [39-7](#)
  - applying to QoS [34-11](#)
  - classifying traffic for QoS [34-37](#)
  - comments in [32-18](#)
  - compiling [32-22](#)
  - defined [32-1, 32-7](#)
  - examples of [32-22](#)

- extended IPv4
  - creating 32-10
  - matching criteria 32-7
- hardware and software handling 32-20
- host keyword 32-12, 34-39
- IP
  - creating 32-7
  - implicit deny 32-9, 32-13, 32-15
  - implicit masks 32-9
  - matching criteria 32-7
  - undefined 32-20
- IPv4
  - applying to interfaces 32-19
  - creating 32-7
  - matching criteria 32-7
  - named 32-14
  - numbers 32-8
  - terminal lines, setting on 32-18
  - unsupported features 32-6
- IPv6
  - applying to interfaces 39-7
  - configuring 39-3, 39-4
  - displaying 39-8
  - interactions with other features 39-4
  - limitations 39-3
  - matching criteria 39-3
  - named 39-3
  - precedence of 39-2
  - supported 39-2
  - unsupported features 39-3
- Layer 4 information in 32-36
- logging messages 32-8
- MAC extended 32-26
- matching 32-7, 32-20
- monitoring 32-39, 39-8
- named
  - IPv6 39-3
- named, IPv4 32-14
- names 39-4
- port 32-2, 39-2
- precedence of 32-2
- QoS 34-11
- resequencing entries 32-14
- router 32-2, 39-2
- router ACLs and VLAN map configuration guidelines 32-36
- standard IPv4
  - creating 32-9
  - matching criteria 32-7
- support for 1-8
- support in hardware 32-20
- time ranges 32-16
- types supported 32-2
- unsupported features
  - IPv6 39-3
- unsupported features, IPv4 32-6
- using router ACLs with VLAN maps 32-35
- VLAN maps
  - configuration guidelines 32-29
  - configuring 32-29
- ACLs, QoS, configuring 34-37
- active link 19-4, 19-5, 19-6
- active links 19-2
- active router 40-1
- active traffic monitoring, IP SLAs 41-1
- address aliasing 22-2
- addresses
  - displaying the MAC address table 5-31
  - dynamic
    - accelerated aging 15-9
    - changing the aging time 5-21
    - default aging 15-9
    - defined 5-19
    - learning 5-20
    - removing 5-22
- IPv6 37-2
- MAC, discovering 5-31
- multicast

- group address range [44-2](#)
  - STP address management [15-9](#)
- static
  - adding and removing [5-27](#)
  - defined [5-19](#)
- address resolution [5-31, 36-7](#)
- Address Resolution Protocol
  - See ARP
- adjacency tables, with CEF [36-96](#)
- administrative distances
  - defined [36-109](#)
  - OSPF [36-31](#)
  - routing protocol defaults [36-98](#)
- administrative VLAN
  - REP, configuring [18-8](#)
- administrative VLAN, REP [18-8](#)
- advertisements
  - CDP [24-1](#)
  - LLDP [25-1](#)
  - RIP [36-18](#)
- age timer, REP [18-8](#)
- aggregatable global unicast addresses [37-3](#)
- aggregate addresses, BGP [36-58](#)
- aggregated ports
  - See EtherChannel
- aggregate policers
  - configuration guidelines [34-54](#)
  - configuring [34-54](#)
  - described [34-18](#)
- aging, accelerating [15-9](#)
- aging time
  - accelerated
    - for MSTP [16-24](#)
    - for STP [15-9, 15-22](#)
  - MAC address table [5-21](#)
  - maximum
    - for MSTP [16-25](#)
    - for STP [15-22](#)
- alarms, RMON [28-3](#)
- allowed-VLAN list [12-18](#)
- area border routers
  - See ABRs
- area routing
  - IS-IS [36-62](#)
  - ISO IGRP [36-62](#)
- ARP
  - configuring [36-8](#)
  - defined [1-4, 5-31, 36-7](#)
  - encapsulation [36-9](#)
  - static cache configuration [36-8](#)
  - table
    - address resolution [5-31](#)
    - managing [5-31](#)
- ASBRs [36-23](#)
- AS-path filters, BGP [36-52](#)
- assured forwarding, DSCP [34-9](#)
- asymmetrical links, and IEEE 802.1Q tunneling [14-4](#)
- attributes, RADIUS
  - vendor-proprietary [8-30](#)
  - vendor-specific [8-29](#)
- authentication
  - EIGRP [36-39](#)
  - HSRP [40-10](#)
  - local mode with AAA [8-36](#)
  - NTP associations [5-4](#)
  - RADIUS
    - key [8-21](#)
    - login [8-23](#)
  - TACACS+
    - defined [8-11](#)
    - key [8-13](#)
    - login [8-14](#)
  - See also port-based authentication
- authentication keys, and routing protocols [36-109](#)
- authentication manager
  - single session ID [9-11](#)
- authoritative time source, described [5-2](#)
- authorization

- with RADIUS [8-27](#)
  - with TACACS+ [8-11, 8-16](#)
  - authorized ports with 802.1x [9-4](#)
  - autoconfiguration [3-3](#)
  - auto enablement [9-10](#)
  - autonegotiation
    - duplex mode [1-2](#)
    - interface configuration guidelines [10-19](#)
    - mismatches [46-8](#)
  - autonomous system boundary routers
    - See ASBRs
  - autonomous systems, in BGP [36-46](#)
  - Auto-RP, described [44-6](#)
  - autosensing, port speed [1-2](#)
  - availability, features [1-5](#)
- 
- B**
- backup interfaces
    - See Flex Links
  - backup links [19-2](#)
  - backup static routing, configuring [42-12](#)
  - bandwidth, QoS, configuring [34-67](#)
  - bandwidth command
    - for CBWFQ [34-26](#)
    - QoS, configuring [34-67](#)
    - QoS, described [34-28](#)
    - with police command [34-30](#)
  - bandwidth remaining percent command [34-30](#)
  - banners
    - configuring
      - login [5-19](#)
      - message-of-the-day login [5-18](#)
    - default configuration [5-17](#)
    - when displayed [5-17](#)
  - Berkeley r-tools replacement [8-41](#)
  - best-effort packet delivery [34-1](#)
  - BGP
    - aggregate addresses [36-58](#)
    - aggregate routes, configuring [36-58](#)
    - CIDR [36-58](#)
    - clear commands [36-61](#)
    - community filtering [36-55](#)
    - configuring neighbors [36-56](#)
    - default configuration [36-44, 36-74](#)
    - described [36-43](#)
    - enabling [36-46](#)
    - monitoring [36-61](#)
    - multipath support [36-50](#)
    - neighbors, types of [36-46](#)
    - path selection [36-50](#)
    - peers, configuring [36-56](#)
    - prefix filtering [36-54](#)
    - resetting sessions [36-49](#)
    - route dampening [36-60](#)
    - route maps [36-52](#)
    - route reflectors [36-59](#)
    - routing domain confederation [36-59](#)
    - routing session with multi-VRF CE [36-90](#)
    - show commands [36-61](#)
    - supernets [36-58](#)
    - support for [1-10](#)
    - Version 4 [36-43](#)
  - binding database
    - DHCP snooping
      - See DHCP snooping binding database
  - bindings
    - DHCP snooping database [20-6](#)
    - IP source guard [20-19](#)
  - binding table, DHCP snooping
    - See DHCP snooping binding database
  - blocking packets [23-6](#)
  - Boolean expressions in tracked lists [42-4](#)
  - booting
    - boot loader, function of [3-2](#)
    - boot process [3-1](#)
    - manually [3-20](#)
    - specific image [3-20](#)

- boot loader
  - accessing [3-21](#)
  - described [3-2](#)
  - environment variables [3-21](#)
  - prompt [3-21](#)
  - trap-door mechanism [3-2](#)
- bootstrap router (BSR), described [44-6](#)
- Border Gateway Protocol
  - See BGP
- BPDU
  - error-disabled state [17-3](#)
  - filtering [17-3](#)
  - RSTP format [16-12](#)
- BPDU filtering
  - described [17-3](#)
  - disabling [17-9](#)
  - enabling [17-8](#)
  - support for [1-6](#)
- BPDU guard
  - described [17-3](#)
  - disabling [17-8](#)
  - enabling [17-7](#)
  - support for [1-6](#)
- broadcast flooding [36-15](#)
- broadcast packets
  - directed [36-12](#)
  - flooded [36-12](#)
- broadcast storm-control command [23-4](#)
- broadcast storms [23-1, 36-12](#)
- bulk statistics
  - defined [30-6](#)
  - file [30-6](#)
  - object list, configuring [30-18](#)
  - object list, described [30-6](#)
  - schema, configuring [30-18](#)
  - schema, described [30-6](#)
  - transfer [30-19](#)
- bulkstat object-list [30-18](#)
- bulkstat schema [30-18](#)

- byte-level statistics [34-17](#)

---

## C

- cables, monitoring for unidirectional links [26-1](#)
- CBWFQ
  - and bandwidth command [34-28, 34-67](#)
  - configuration guidelines [34-67](#)
  - QoS scheduling [34-26](#)
- CDP
  - configuring [24-2](#)
  - default configuration [24-2](#)
  - defined with LLDP [25-1](#)
  - described [24-1](#)
  - disabling for routing device [24-3 to 24-4](#)
  - enabling and disabling
    - on an interface [24-4](#)
    - on a switch [24-3](#)
  - Layer 2 protocol tunneling [14-20](#)
  - monitoring [24-5](#)
  - overview [24-1](#)
  - support for [1-4](#)
  - transmission timer and holdtime, setting [24-2](#)
  - updates [24-2](#)
- CEF
  - defined [36-96](#)
  - enabling [36-96](#)
  - IPv6 [37-18](#)
- CFM
  - and Ethernet OAM, configuring [43-55](#)
  - and Ethernet OAM interaction [43-54](#)
  - and OAM manager [43-48](#)
  - and other features [43-8](#)
  - and tunnels [43-8](#)
  - clearing [43-31](#)
  - configuration errors [43-6](#)
  - configuration guidelines [43-8](#)
  - configuring crosscheck [43-12](#)
  - configuring fault alarms [43-16](#)

- configuring port MEP [43-14](#)
- configuring static remote MEP [43-13](#)
- configuring the network [43-8](#)
- continuity check messages [43-5](#)
- crosscheck [43-5](#)
- default configuration [43-7](#)
- defined [43-2](#)
- down MEPs [43-4](#)
- draft 1 [43-4](#)
- draft 8.1 [43-4](#)
- EtherChannel support [43-8](#)
- fault alarms
  - configuring [43-16](#)
  - defined [43-5](#)
- IEEE 802.1ag [43-2](#)
- IP SLAs support for [43-6](#)
- IP SLAs with endpoint discovers [43-19](#)
- loopback messages [43-5](#)
- maintenance association [43-3](#)
- maintenance domain [43-2](#)
- maintenance point [43-3](#)
- manually configuring IP SLAs ping or jitter [43-18](#)
- measuring network performance [43-6](#)
- messages
  - continuity check [43-5](#)
  - loopback [43-5](#)
  - traceroute [43-5](#)
- monitoring [43-31](#), [43-32](#)
- on EtherChannel port channels [43-8](#)
- port MEP, configuring [43-14](#)
- remote MEPs [43-5](#)
- SNMP traps [43-5](#)
- static RMEP, configuring [43-13](#)
- static RMEP check [43-5](#)
- traceroute messages [43-5](#)
- types of messages [43-5](#)
- UNIs [43-4](#)
- up MEPs [43-4](#)
- version interoperability [43-6](#)
- Y.1731
  - described [43-23](#)
- child policies, QoS [34-13](#), [34-28](#)
- CIDR [36-58](#)
- Cisco Configuration Engine [1-3](#)
- Cisco Data Collection MIB [30-1](#)
- Cisco Discovery Protocol
  - See CDP
- Cisco Express Forwarding
  - See CEF
- Cisco IOS File System
  - See IFS
- Cisco IOS IP SLAs [41-1](#)
- Cisco Process MIB [30-1](#)
- CiscoWorks 2000 [1-3](#), [30-4](#)
- CISP [9-10](#)
- CIST regional root
  - See MSTP
- CIST root
  - See MSTP
- civic location [25-3](#)
- class-based priority queuing, QoS [34-20](#)
- class-based shaping
  - configuration guidelines [34-69](#)
  - configuring [34-69](#)
  - for QoS [34-27](#)
- Class-Based-Weighted-Fair-Queuing
  - See CBWFQ
- classification
  - based on ACL lookup [34-11](#)
  - based on DEI bit [34-10](#)
  - in packet headers [34-6](#)
  - of 802.1ad frames [34-10](#)
  - per-port per VLAN [34-13](#), [34-60](#)
  - QoS comparisons [34-10](#)
  - QoS group [34-12](#)
- classless interdomain routing
  - See CIDR
- classless routing [36-6](#)

- class map
  - match-all option [34-7](#)
  - match-any option [34-7](#)
- class-map command [34-3](#)
- class maps
  - for QinQ input policy maps [34-81](#)
  - for QinQ output policy maps [34-84](#)
- class maps, QoS
  - configuring [34-41](#)
  - described [34-7](#)
- class of service
  - See CoS
- class selectors, DSCP [34-9](#)
- clearing
  - Ethernet CFM [43-31](#)
- clearing interfaces [10-31](#)
- CLI
  - abbreviating commands [2-3](#)
  - command modes [2-1](#)
  - described [1-3](#)
  - editing features
    - enabling and disabling [2-6](#)
    - keystroke editing [2-6](#)
    - wrapped lines [2-8](#)
  - error messages [2-4](#)
  - filtering command output [2-8](#)
  - getting help [2-3](#)
  - history
    - changing the buffer size [2-5](#)
    - described [2-4](#)
    - disabling [2-5](#)
    - recalling commands [2-5](#)
  - no and default forms of commands [2-4](#)
- Client Information Signalling Protocol
  - See CISP
- client processes, tracking [42-1](#)
- CLNS
  - See ISO CLNS
- clock
  - See system clock
- CNS
- Configuration Engine
  - configID, deviceID, hostname [4-3](#)
  - configuration service [4-2](#)
  - described [4-1](#)
  - event service [4-3](#)
  - embedded agents
    - described [4-5](#)
    - enabling automated configuration [4-6](#)
    - enabling configuration agent [4-9](#)
    - enabling event agent [4-7](#)
  - for upgrading [4-14](#)
- command-line interface
  - See CLI
- command macros
  - applying global parameter values [11-4](#)
  - applying macros [11-4](#)
  - applying parameter values [11-4](#)
  - configuration guidelines [11-2](#)
  - creating [11-3](#)
  - default configuration [11-2](#)
  - defined [11-1](#)
  - displaying [11-5](#)
  - tracing [11-2](#)
- command modes [2-1](#)
- commands
  - abbreviating [2-3](#)
  - no and default [2-4](#)
- commands, setting privilege levels [8-8](#)
- common session ID
  - see single session ID [9-11](#)
- community list, BGP [36-55](#)
- community ports [13-3](#)
- community strings
  - configuring [30-8](#)
  - overview [30-4](#)
- community VLANs [13-2, 13-3](#)
- compatibility, feature [23-11](#)

- config.text [3-19](#)
- configurable leave timer, IGMP [22-5](#)
- configurable policer profiles [34-45](#)
- configuration, initial
  - defaults [1-12](#)
- configuration example
  - 802.1ad EtherChannels [14-15](#)
- configuration examples
  - 802.1ad QoS [34-90](#)
  - network [1-15](#)
  - policy maps [34-99](#)
  - QoS
    - adding customers [34-101](#)
    - adding or deleting a class [34-104](#)
    - adding or deleting classification criteria [34-101](#), [34-102](#)
    - adding or deleting configured actions [34-103](#)
    - changing queuing or scheduling parameters [34-103](#)
    - initial [34-99](#)
    - QoS classification for QinQ [34-85](#)
    - QoS marking and queuing, CPU-generated traffic [34-94](#)
- configuration files
  - archiving [B-19](#)
  - clearing the startup configuration [B-19](#)
  - creating using a text editor [B-10](#)
  - default name [3-19](#)
  - deleting a stored configuration [B-19](#)
  - described [B-8](#)
  - downloading
    - automatically [3-19](#)
    - preparing [B-10](#), [B-13](#), [B-16](#)
    - reasons for [B-8](#)
    - using FTP [B-13](#)
    - using RCP [B-17](#)
    - using TFTP [B-11](#)
  - guidelines for creating and using [B-9](#)
  - guidelines for replacing and rolling back [B-20](#)
  - invalid combinations when copying [B-5](#)
  - limiting TFTP server access [30-17](#), [30-18](#), [30-19](#), [30-20](#)
  - obtaining with DHCP [3-8](#)
  - password recovery disable considerations [8-5](#)
  - replacing a running configuration [B-19](#), [B-20](#)
  - rolling back a running configuration [B-19](#), [B-20](#)
  - specifying the filename [3-19](#)
  - system contact and location information [30-17](#)
  - types and location [B-9](#)
  - uploading
    - preparing [B-10](#), [B-13](#), [B-16](#)
    - reasons for [B-8](#)
    - using FTP [B-14](#)
    - using RCP [B-18](#)
    - using TFTP [B-11](#)
- configuration guidelines
  - 802.1ad and split horizon [14-14](#)
  - 802.1ad EtherChannels [14-14](#), [14-15](#)
  - 802.1ad QoS [34-89](#)
  - aggregate policers [34-54](#)
  - CBWFQ [34-67](#)
  - CFM [43-8](#)
  - class-based shaping [34-69](#)
  - C-VLAN child policy maps [34-80](#)
  - C-VLAN parent policy maps [34-79](#)
  - EtherChannel [35-10](#)
  - Ethernet OAM [43-35](#)
  - HSRP [40-5](#)
  - individual policers [34-46](#)
  - input policy maps [34-45](#)
  - link-state tracking [35-24](#)
  - marking in policy maps [34-58](#)
  - multi-VRF CE [36-85](#)
  - OAM manager [43-49](#)
  - output policy maps [34-65](#)
  - per-port, per-VLAN QoS [34-60](#)
  - PIM stub routing [44-12](#)
  - port security [23-10](#)
  - QoS, general [34-35](#)
  - QoS ACLs [34-37](#)



- QoS classification for QinQ [34-78](#)
  - QoS class maps [34-41](#)
  - QoS table maps [34-43](#)
  - REP [18-7](#)
  - rollback and replacement [B-20](#)
  - SSM [44-16](#)
  - SSM mapping [44-18](#)
  - strict priority queuing [34-71](#)
  - unconditional priority policing [34-73](#)
  - UNI VLANs [12-12](#)
  - VLAN mapping [14-9](#)
  - VLANs [12-8](#)
  - WTD [34-76](#)
  - configuration replacement [B-19](#)
  - configuration rollback [B-19](#)
  - configuration settings, saving [3-15](#)
  - configure terminal command [10-8](#)
  - configuring marking in input policy maps [34-58](#)
  - configuring port-based authentication violation modes [9-18](#)
  - conform, exceed, and violate actions [34-54](#)
  - congestion avoidance, QoS [34-2](#), [34-32](#)
  - congestion management, QoS [34-2](#), [34-26](#)
  - connections, secure remote [8-37](#)
  - Connectivity Fault Management
    - See CFM
  - connectivity problems [46-9](#), [46-13](#), [46-14](#)
  - console port, connecting to [2-9](#)
  - control packets
    - and control-plane security [33-2](#)
    - dropping and rate-limiting [33-2](#)
  - control-plane security
    - configuring [33-6](#)
    - control packets [33-2](#)
    - monitoring [33-7](#)
    - policers [33-4](#)
    - policing [33-2](#)
    - purpose of [33-1](#)
  - control protocol, IP SLAs [41-4](#)
  - convergence
    - REP [18-4](#)
  - corrupted software, recovery steps with Xmodem [46-2](#)
  - CoS
    - classification [34-8](#)
    - values [34-6](#)
  - CoS mapping [34-8](#)
  - counters, clearing interface [10-31](#)
  - CPU-generated traffic
    - marking and queuing [34-92](#)
  - CPU overload, protection from [33-1](#)
  - CPU policers [33-6](#)
  - CPU protection [33-4](#)
  - CPU threshold notification [30-21](#)
  - CPU threshold table [30-1](#), [30-20](#)
  - CPU utilization statistics [30-20](#)
  - crashinfo file [46-21](#)
  - crosscheck, CFM [43-5](#), [43-12](#)
  - cryptographic software image
    - Kerberos [8-32](#)
    - SSH [8-37](#)
  - C-UNI isolated ports [14-18](#)
  - C-UNIs [14-13](#)
  - customer edge devices [1-18](#), [36-83](#)
  - C-VLAN [14-7](#)
- 
- ## D
- data collection, bulk statistics [30-20](#)
  - daylight saving time [5-13](#)
  - debugging
    - enabling all system diagnostics [46-18](#)
    - enabling for a specific feature [46-17](#)
    - redirecting error message output [46-18](#)
    - using commands [46-17](#)
  - default
    - policer configuration
      - ENIs and UNIs [33-4](#)
      - NNIs [33-6](#)

- default actions, table maps [34-15](#)
- default commands [2-4](#)
- default configuration
  - banners [5-17](#)
  - BGP [36-44, 36-74](#)
  - booting [3-19](#)
  - CDP [24-2](#)
  - CFM [43-7](#)
  - DHCP [20-8](#)
  - DHCP option 82 [20-8](#)
  - DHCP snooping [20-8](#)
  - DHCP snooping binding database [20-8](#)
  - DNS [5-16](#)
  - dynamic ARP inspection [21-5](#)
  - EIGRP [36-36](#)
  - E-LMI and OAM [43-48](#)
  - EtherChannel [35-10](#)
  - Ethernet OAM [43-35](#)
  - Flex Links [19-7](#)
  - HSRP [40-5](#)
  - IEEE 802.1Q tunneling [14-4](#)
  - IEEE 802.1x [9-12](#)
  - IGMP [44-38](#)
  - IGMP filtering [22-24](#)
  - IGMP snooping [22-6, 38-5, 38-6](#)
  - IGMP throttling [22-24](#)
  - initial switch information [3-3](#)
  - IP addressing, IP routing [36-4](#)
  - IP multicast routing [44-8](#)
  - IP SLAs [41-6](#)
  - IP source guard [20-21](#)
  - IPv6 [37-9](#)
  - IS-IS [36-63](#)
  - Layer 2 interfaces [10-15](#)
  - Layer 2 protocol tunneling [14-23](#)
  - LLDP [25-3](#)
  - MAC address table [5-21](#)
  - MAC address-table move update [19-7](#)
  - MSDP [45-3](#)
  - MSTP [16-14](#)
  - multi-VRF CE [36-84](#)
  - MVR [22-18](#)
  - NTP [5-4](#)
  - optional spanning-tree configuration [17-5](#)
  - OSPF [36-24](#)
  - password and privilege level [8-2](#)
  - PIM [44-8](#)
  - private VLANs [13-6](#)
  - QoS [34-35](#)
  - RADIUS [8-20](#)
  - REP [18-7](#)
  - RIP [36-18](#)
  - RMON [28-3](#)
  - RSPAN [27-9](#)
  - SDM template [7-3](#)
  - SNMP [30-7](#)
  - SPAN [27-9](#)
  - STP [15-11](#)
  - system message logging [29-3](#)
  - system name and prompt [5-15](#)
  - TACACS+ [8-13](#)
  - UDLD [26-4](#)
  - VLAN, Layer 2 Ethernet interfaces [12-16](#)
  - VLAN mapping [14-9](#)
  - VLANs [12-7](#)
  - VMPS [12-25](#)
  - Y.1731 [43-26](#)
- default gateway [3-15, 36-10](#)
- default networks [36-99](#)
- default router preference
  - See [DRP](#)
- default routes [36-99](#)
- default routing [36-2](#)
- default service, DSCP [34-9](#)
- default template [7-1](#)
- DEI bit
  - for classification [34-5](#)
  - ingress classification [34-89](#)

- ingress marking [34-89](#)
  - ingress policing [34-89](#)
  - location [34-6](#)
- DEI classification [34-10](#)
- denial-of-service attacks, preventing [33-1](#)
- description command [10-25](#)
- designing your network, examples [1-15](#)
- destination addresses
  - in IPv6 ACLs [39-5](#)
- destination addresses, in IPv4 ACLs [32-11](#)
- destination-IP address-based forwarding, EtherChannel [35-8](#)
- destination-MAC address forwarding, EtherChannel [35-7](#)
- device discovery protocol [24-1, 25-1](#)
- DHCP
  - DHCP for IPv6
    - See DHCPv6
  - DHCP, enabling the relay agent [20-10](#)
  - DHCP-based autoconfiguration
    - client request message exchange [3-4](#)
    - configuring
      - client side [3-3](#)
      - DNS [3-7](#)
      - relay device [3-8](#)
      - server side [3-6](#)
      - TFTP server [3-7](#)
    - example [3-9](#)
    - lease options
      - for IP address information [3-6](#)
      - for receiving the configuration file [3-6](#)
    - overview [3-3](#)
    - relationship to BOOTP [3-3](#)
    - relay support [1-4, 1-10](#)
    - support for [1-3](#)
  - DHCP-based autoconfiguration and image update
    - configuring [3-11 to 3-14](#)
    - understanding [3-5](#)
  - DHCP binding database
    - See DHCP snooping binding database
  - DHCP binding table
    - See DHCP snooping binding database
  - DHCP object tracking, configuring primary interface [42-11](#)
  - DHCP option 82
    - circuit ID suboption [20-5](#)
    - configuration guidelines [20-8](#)
    - default configuration [20-8](#)
    - displaying [20-15](#)
    - forwarding address, specifying [20-10](#)
    - helper address [20-10](#)
    - overview [20-3](#)
    - packet format, suboption
      - circuit ID [20-5](#)
      - remote ID [20-5](#)
    - remote ID suboption [20-5](#)
  - DHCP server port-based address allocation
    - configuration guidelines [20-16](#)
    - default configuration [20-16](#)
    - described [20-15](#)
    - displaying [20-18](#)
    - enabling [20-16](#)
    - reserved addresses [20-16](#)
  - DHCP snooping
    - accepting untrusted packets form edge switch [20-3, 20-12](#)
    - and private VLANs [20-13](#)
    - binding database
      - See DHCP snooping binding database
    - configuration guidelines [20-8](#)
    - default configuration [20-8](#)
    - displaying binding tables [20-15](#)
    - message exchange process [20-4](#)
    - option 82 data insertion [20-3](#)
    - trusted interface [20-2](#)
    - untrusted interface [20-2](#)
    - untrusted messages [20-2](#)
  - DHCP snooping binding database
    - adding bindings [20-13](#)

- binding entries, displaying [20-15](#)
- binding file
  - format [20-7](#)
  - location [20-6](#)
- bindings [20-6](#)
- clearing agent statistics [20-14](#)
- configuration guidelines [20-9](#)
- configuring [20-13](#)
- default configuration [20-8](#)
- deleting
  - binding file [20-14](#)
  - bindings [20-14](#)
  - database agent [20-14](#)
- described [20-6](#)
- displaying [20-15](#)
  - binding entries [20-15](#)
  - status and statistics [20-15](#)
- enabling [20-13](#)
- entry [20-6](#)
- renewing database [20-14](#)
- resetting
  - delay value [20-14](#)
  - timeout value [20-14](#)
- DHCP snooping binding table
  - See DHCP snooping binding database
- DHCPv6
  - configuration guidelines [37-14](#)
  - default configuration [37-14](#)
  - described [37-5](#)
  - enabling client function [37-17](#)
  - enabling DHCPv6 server function [37-15](#)
- diagnostic schedule command [47-2](#)
- Differentiated Services Code Point
  - See DSCP
- Diffusing Update Algorithm (DUAL) [36-34](#)
- Digital Optical Monitoring
  - see DoM
- directed unicast requests [1-4](#)
- directories
  - changing [B-3](#)
  - creating and removing [B-4](#)
  - displaying the working [B-3](#)
- discovery, Ethernet OAM [43-34](#)
- distribute-list command [36-108](#)
- DNS
  - and DHCP-based autoconfiguration [3-7](#)
  - default configuration [5-16](#)
  - displaying the configuration [5-17](#)
  - in IPv6 [37-3](#)
  - overview [5-15](#)
  - setting up [5-16](#)
  - support for [1-3](#)
- DNS-based SSM mapping [44-19, 44-21](#)
- DoM
  - displaying supported transceivers [10-31](#)
- domain names, DNS [5-15](#)
- Domain Name System
  - See DNS
- domains, ISO IGRP routing [36-62](#)
- dot1q-tunnel switchport mode [12-15](#)
- double-tagged packets
  - IEEE 802.1Q tunneling [14-3](#)
  - Layer 2 protocol tunneling [14-22](#)
- downloading
  - configuration files
    - preparing [B-10, B-13, B-16](#)
    - reasons for [B-8](#)
    - using FTP [B-13](#)
    - using RCP [B-17](#)
    - using TFTP [B-11](#)
  - image files
    - deleting old image [B-27](#)
    - preparing [B-25, B-28, B-32](#)
    - reasons for [B-23](#)
    - using FTP [B-29](#)
    - using RCP [B-33](#)
    - using TFTP [B-26](#)

- using the device manager or Network Assistant [B-23](#)
- drop eligibility indicator
  - See DEI
- drop threshold for Layer 2 protocol packets [14-23](#)
- DRP
  - configuring [37-11](#)
  - described [37-4](#)
  - IPv6 [37-4](#)
- DSCP
  - assured forwarding [34-9](#)
  - classification [34-9](#)
  - class selectors [34-9](#)
  - default service [34-9](#)
  - expedited forwarding [34-9](#)
  - values [34-6](#)
- DUAL finite state machine, EIGRP [36-35](#)
- dual IPv4 and IPv6 templates [7-2, 37-5](#)
- dual protocol stacks
  - IPv4 and IPv6 [37-5](#)
  - SDM templates supporting [37-5](#)
- dual-purpose ports
  - default port type [10-7](#)
  - defaults [10-21](#)
  - defined [10-6](#)
  - frame size [10-21](#)
  - LEDs [10-7](#)
  - setting the type [10-21](#)
- duplex mode, configuring [10-18](#)
- dynamic access ports
  - characteristics [12-5](#)
  - configuring [12-26](#)
  - defined [10-4](#)
- dynamic addresses
  - See addresses
- dynamic ARP inspection
  - ARP cache poisoning [21-1](#)
  - ARP requests, described [21-1](#)
  - ARP spoofing attack [21-1](#)
- clearing
  - log buffer [21-15](#)
  - statistics [21-15](#)
- configuration guidelines [21-6](#)
- configuring
  - ACLs for non-DHCP environments [21-8](#)
  - in DHCP environments [21-7](#)
  - log buffer [21-13](#)
  - rate limit for incoming ARP packets [21-4, 21-10](#)
- default configuration [21-5](#)
- denial-of-service attacks, preventing [21-10](#)
- described [21-1](#)
- DHCP snooping binding database [21-2](#)
- displaying
  - ARP ACLs [21-14](#)
  - configuration and operating state [21-14](#)
  - log buffer [21-15](#)
  - statistics [21-15](#)
  - trust state and rate limit [21-14](#)
- error-disabled state for exceeding rate limit [21-4](#)
- function of [21-2](#)
- interface trust states [21-3](#)
- log buffer
  - clearing [21-15](#)
  - configuring [21-13](#)
  - displaying [21-15](#)
- logging of dropped packets, described [21-4](#)
- man-in-the middle attack, described [21-2](#)
- network security issues and interface trust states [21-3](#)
- priority of ARP ACLs and DHCP snooping entries [21-4](#)
- rate limiting of ARP packets
  - configuring [21-10](#)
  - described [21-4](#)
  - error-disabled state [21-4](#)
- statistics
  - clearing [21-15](#)
  - displaying [21-15](#)
- validation checks, performing [21-12](#)

Dynamic Host Configuration Protocol  
 See DHCP-based autoconfiguration

dynamic port VLAN membership

- described [12-24](#)
- reconfirming [12-27](#)
- troubleshooting [12-28](#)
- types of connections [12-26](#)

dynamic routing

- ISO CLNS [36-62](#)
- protocols [36-3](#)

---

## E

EBGP [36-42](#)

editing features

- enabling and disabling [2-6](#)
- keystrokes used [2-6](#)
- wrapped lines [2-8](#)

EEM 3.2 [31-5](#)

EIGRP

- authentication [36-39](#)
- components [36-35](#)
- configuring [36-37](#)
- default configuration [36-36](#)
- definition [36-34](#)
- interface parameters, configuring [36-38](#)
- monitoring [36-41](#)
- stub routing [36-40](#)
- support for [1-10](#)

EIGRP IPv6 [37-6](#)

ELIN location [25-3](#)

E-LMI

- and OAM Manager [43-47](#)
- CE device configuration [43-53](#)
- configuration guidelines [43-49](#)
- configuring a CE device [43-52](#)
- configuring a PE device [43-52](#)
- default configuration [43-48](#)
- defined [43-47](#)

- enabling [43-52](#)
- information [43-47](#)
- monitoring [43-54](#)
- PE device configuration [43-53](#)

embedded event manager

- 3.2 [31-5](#)
- actions [31-4](#)
- configuring [31-1, 31-5](#)
- displaying information [31-7](#)
- environmental variables [31-4](#)
- event detectors [31-2](#)
- policies [31-4](#)
- registering and defining an applet [31-6](#)
- registering and defining a TCL script [31-7](#)
- understanding [31-1](#)

enable password [8-3](#)

enable secret password [8-3](#)

encryption for passwords [8-3](#)

Enhanced IGRP

See EIGRP

enhanced network interface

See ENI

enhanced object tracking

- backup static routing [42-12](#)
- commands [42-1](#)
- defined [42-1](#)
- DHCP primary interface [42-11](#)
- HSRP [42-7](#)
- IP routing state [42-2](#)
- IP SLAs [42-9](#)
- line-protocol state [42-2](#)
- network monitoring with IP SLAs [42-11](#)
- routing policy, configuring [42-12](#)
- static route primary interface [42-10](#)
- tracked lists [42-3](#)

ENI

- configuring [10-17](#)
- described [10-2](#)
- protocol control packets on [33-1](#)

- environmental variables, embedded event manager [31-4](#)
- environment variables, function of [3-22](#)
- equal-cost routing [1-10, 36-97](#)
- error messages during command entry [2-4](#)
- EtherChannel
  - 802.3ad, described [35-6](#)
  - automatic creation of [35-4, 35-6](#)
  - channel groups
    - binding physical and logical interfaces [35-3](#)
    - numbering of [35-3](#)
  - configuration guidelines [35-10](#)
  - configuring
    - Layer 2 interfaces [35-11](#)
    - Layer 3 physical interfaces [35-15](#)
    - Layer 3 port-channel logical interfaces [35-14](#)
  - default configuration [35-10](#)
  - described [35-2](#)
  - displaying status [35-22](#)
  - forwarding methods [35-7, 35-17](#)
  - interaction
    - with STP [35-10](#)
    - with VLANs [35-11](#)
- LACP
  - described [35-6](#)
  - displaying status [35-22](#)
  - hot-standby ports [35-19](#)
  - interaction with other features [35-7](#)
  - modes [35-6](#)
  - port priority [35-21](#)
  - system priority [35-20](#)
- Layer 3 interface [36-3](#)
- load balancing [35-7, 35-17](#)
- logical interfaces, described [35-3](#)
- PAgP
  - aggregate-port learners [35-18](#)
  - compatibility with Catalyst 1900 [35-18](#)
  - described [35-4](#)
  - displaying status [35-22](#)
  - interaction with other features [35-5](#)
  - learn method and priority configuration [35-18](#)
  - modes [35-5](#)
  - support for [1-2](#)
- port-channel interfaces
  - described [35-3](#)
  - numbering of [35-3](#)
- port groups [10-6](#)
- support for [1-2](#)
- EtherChannel guard
  - described [17-3](#)
  - disabling [17-10](#)
  - enabling [17-9](#)
- Ethernet infrastructure [43-1](#)
- Ethernet Link Management Interface
  - See E-LMI
- Ethernet Locked Signal (ETH-LCK) [43-25](#)
- Ethernet loopback
  - characteristics [43-44](#)
- Ethernet management port
  - and routing [10-13](#)
  - and routing protocols [10-13](#)
  - and TFTP [10-14](#)
  - configuring [10-14](#)
  - default setting [10-13](#)
  - described [10-5, 10-12](#)
  - for network management [10-5, 10-12](#)
  - specifying [10-14](#)
  - supported features [10-14](#)
  - unsupported features [10-14](#)
- Ethernet management port, internal
  - and routing [10-13](#)
  - and routing protocols [10-13](#)
  - unsupported features [10-14](#)
- Ethernet OAM [43-34](#)
  - and CFM interaction [43-54](#)
  - configuration guidelines [43-35](#)
  - configuring with CFM [43-55](#)
  - default configuration [43-35](#)
  - discovery [43-34](#)

- enabling [43-35, 43-56](#)
  - link monitoring [43-34, 43-37](#)
  - manager [43-1](#)
  - messages [43-34](#)
  - protocol
    - defined [43-33](#)
    - monitoring [43-43](#)
  - remote failure indications [43-34, 43-40](#)
  - remote loopback [43-34, 43-36](#)
  - templates [43-40](#)
  - Ethernet OAM protocol [43-1](#)
  - Ethernet OAM protocol CFM notifications [43-54](#)
  - Ethernet operation, administration, and maintenance
    - See Ethernet OAM
  - Ethernet Remote Defect Indication (ETH-RDI) [43-24](#)
  - Ethernet terminal loopback [34-98](#)
  - Ethernet virtual connections
    - See EVCs
  - Ethernet VLANs
    - adding [12-9](#)
    - defaults and ranges [12-8](#)
    - modifying [12-9](#)
  - EUI [37-3](#)
  - EVCs
    - configuring [43-49](#)
    - in CFM domains [43-47](#)
  - event detectors, embedded event manager [31-2](#)
  - events, RMON [28-3](#)
  - examples
    - network configuration [1-15](#)
  - expedited forwarding, DSCP [34-9](#)
  - extended-range VLANs
    - creating with an internal VLAN ID [12-12](#)
    - defined [12-1](#)
  - extended system ID
    - MSTP [16-17](#)
    - STP [15-4, 15-15](#)
  - extended universal identifier
    - See EUI
  - Extensible Authentication Protocol over LAN [9-1](#)
  - external BGP
    - See EBGp
  - external neighbors, BGP [36-46](#)
- 
- F**
- Fa0 port
    - See Ethernet management port
  - Fast Convergence [19-3](#)
  - fastethernet0 port
    - See Ethernet management port
  - features, incompatible [23-11](#)
  - FIB [36-96](#)
  - fiber-optic, detecting unidirectional links [26-1](#)
  - files
    - copying [B-4](#)
    - crashinfo
      - description [46-21](#)
      - displaying the contents of [46-21](#)
      - location [46-21](#)
    - deleting [B-5](#)
    - displaying the contents of [B-8](#)
    - tar
      - creating [B-6](#)
      - displaying the contents of [B-6](#)
      - extracting [B-7](#)
      - image file format [B-24](#)
  - file system
    - displaying available file systems [B-2](#)
    - displaying file information [B-3](#)
    - local file system names [B-1](#)
    - network file system names [B-4](#)
    - setting the default [B-3](#)
  - filtering
    - in a VLAN [32-29](#)
    - IPv6 traffic [39-3, 39-7](#)
    - non-IP traffic [32-26](#)
    - show and more command output [2-8](#)



filtering show and more command output [2-8](#)

filters, IP

See ACLs, IP

flash device, number of [B-1](#)

Flex Link Multicast Fast Convergence [19-3](#)

Flex Links

configuration guidelines [19-8](#)

configuring [19-8, 19-9](#)

configuring preferred VLAN [19-11](#)

configuring VLAN load balancing [19-10](#)

default configuration [19-7](#)

description [19-1](#)

link load balancing [19-2](#)

monitoring [19-14](#)

VLANs [19-2](#)

flooded traffic, blocking [23-7](#)

flow control [1-2, 10-23](#)

forward-delay time

MSTP [16-24](#)

STP [15-22](#)

Forwarding Information Base

See FIB

FTP

accessing MIB files [A-4](#)

configuration files

downloading [B-13](#)

overview [B-12](#)

preparing the server [B-13](#)

uploading [B-14](#)

image files

deleting old image [B-31](#)

downloading [B-29](#)

preparing the server [B-28](#)

uploading [B-31](#)

---

## G

general query [19-5](#)

Generating IGMP Reports [19-3](#)

get-bulk-request operation [30-3](#)

get-next-request operation [30-3, 30-4](#)

get-request operation [30-3, 30-4](#)

get-response operation [30-3](#)

global configuration mode [2-2](#)

global leave, IGMP [22-11](#)

---

## H

hardware limitations and Layer 3 interfaces [10-26](#)

hello time

MSTP [16-24](#)

STP [15-21](#)

help, for the command line [2-3](#)

history

changing the buffer size [2-5](#)

described [2-4](#)

disabling [2-5](#)

recalling commands [2-5](#)

history table, level and number of syslog messages [29-10](#)

host ports

configuring [13-11](#)

kinds of [13-2](#)

hosts, limit on dynamic ports [12-28](#)

Hot Standby Router Protocol

See HSRP

HP OpenView [1-3](#)

HSRP

authentication string [40-10](#)

command-switch redundancy [1-6](#)

configuration guidelines [40-5](#)

configuring [40-5](#)

default configuration [40-5](#)

definition [40-1](#)

monitoring [40-12](#)

object tracking [42-7](#)

overview [40-1](#)

priority [40-7](#)

routing redundancy [1-10](#)

- support for ICMP redirect messages [40-12](#)
  - timers [40-10](#)
  - tracking [40-8](#)
- HTTP(S) Over IPv6 [37-7](#)
- 
- IBPG [36-42](#)
- ICMP
- IPv6 [37-4](#)
  - redirect messages [36-10](#)
  - support for [1-10](#)
  - time-exceeded messages [46-15](#)
  - traceroute [46-15](#)
  - unreachable messages [32-19](#)
  - unreachable messages and IPv6 [39-4](#)
  - unreachables and ACLs [32-20](#)
- ICMP Echo operation
- configuring [41-11](#)
  - IP SLAs [41-11](#)
- ICMP ping
- executing [46-10](#)
  - overview [46-10](#)
- ICMP Router Discovery Protocol
- See IRDP
- ICMPv6 [37-4](#)
- IDS appliances
- and ingress RSPAN [27-20](#)
  - and ingress SPAN [27-13](#)
- IEEE 802.1ad [14-13](#)
- IEEE 802.1ag [43-2](#)
- IEEE 802.1D
- See STP
- IEEE 802.1Q
- and trunk ports [10-4](#)
  - configuration limitations [12-15](#)
  - encapsulation [12-15](#)
  - native VLAN for untagged traffic [12-19](#)
  - tunneling
    - compatibility with other features [14-6](#)
    - defaults [14-4](#)
    - described [14-2](#)
    - tunnel ports with other features [14-6](#)
- IEEE 802.1s
- See MSTP
- IEEE 802.1w
- See RSTP
- IEEE 802.1x
- See port-based authentication
- IEEE 802.3ad
- See EtherChannel
- IEEE 802.3ah Ethernet OAM discovery [43-1](#)
- IEEE 802.3z flow control [10-23](#)
- ifIndex values, SNMP [30-5](#)
- IFS [1-4](#)
- IGMP
- configurable leave timer, described [22-5](#)
  - configurable leave timer, procedures [22-9](#)
  - configuring the switch
    - as a member of a group [44-38](#)
    - statically connected member [44-43](#)
  - controlling access to groups [44-39](#)
  - default configuration [44-38](#)
  - deleting cache entries [44-47](#)
  - displaying groups [44-48](#)
  - fast switching [44-43](#)
  - flooded multicast traffic
    - controlling flooding time [22-10](#)
    - disabling on an interface [22-11](#)
    - global leave [22-11](#)
    - query solicitation [22-11](#)
    - recovering from flood mode [22-11](#)
  - host-query interval, modifying [44-41](#)
  - joining multicast group [22-3](#)
  - join messages [22-3](#)
  - leave processing, enabling [22-9, 38-9](#)
  - leaving multicast group [22-5](#)
  - multicast reachability [44-38](#)

- overview [44-2](#)
- queries [22-3](#)
- report suppression
  - described [22-6](#)
  - disabling [22-14, 38-12](#)
- supported versions [22-2](#)
- support for [1-2](#)
- Version 1
  - changing to Version 2 [44-40](#)
  - described [44-3](#)
- Version 2
  - changing to Version 1 [44-40](#)
  - described [44-3](#)
  - maximum query response time value [44-42](#)
  - pruning groups [44-42](#)
  - query timeout value [44-42](#)
- IGMP configurable leave timer [22-5](#)
- IGMP filtering
  - configuring [22-25](#)
  - default configuration [22-24](#)
  - described [22-24](#)
  - monitoring [22-29](#)
  - support for [1-3](#)
- IGMP groups
  - configuring filtering [22-27](#)
  - setting the maximum number [22-26](#)
- IGMP helper [44-5](#)
- IGMP leave timer, configuring [22-9](#)
- IGMP profile
  - applying [22-26](#)
  - configuration mode [22-25](#)
  - configuring [22-25](#)
- IGMP snooping
  - and address aliasing [22-2](#)
  - configuring [22-6](#)
  - default configuration [22-6, 38-5, 38-6](#)
  - definition [22-1](#)
  - enabling and disabling [22-7, 38-6](#)
  - global configuration [22-7](#)
- Immediate Leave [22-5](#)
- monitoring [22-14, 38-12](#)
- querier
  - configuration guidelines [22-12](#)
  - configuring [22-12](#)
- supported versions [22-2](#)
- support for [1-2](#)
- VLAN configuration [22-7](#)
- IGMP throttling
  - configuring [22-27](#)
  - default configuration [22-24](#)
  - described [22-24](#)
  - displaying action [22-28](#)
- IGP [36-23](#)
- Immediate Leave, IGMP
  - configuration guidelines [22-9](#)
  - described [22-5](#)
  - enabling [22-9, 38-9](#)
- individual policers
  - configuration guidelines [34-46](#)
  - configuring [34-46](#)
- initial configuration
  - defaults [1-12](#)
- inner CoS to outer CoS mapping [34-8](#)
- input policy maps
  - classification criteria [34-5](#)
  - configuration guidelines [34-45](#)
  - configuring [34-45](#)
  - displaying statistics [34-98](#)
- interface
  - number [10-8](#)
  - range macros [10-10](#)
- interface command [10-8](#)
- interface configuration, REP [18-9](#)
- interface configuration mode [2-2](#)
- interfaces
  - configuration guidelines, duplex and speed [10-18](#)
  - configuring
    - duplex mode [10-18](#)

- procedure 10-8
    - speed 10-18
  - counters, clearing 10-31
  - described 10-25
  - descriptive name, adding 10-25
  - displaying information about 10-30
  - flow control 10-23
  - management 1-3
  - monitoring 10-30
  - naming 10-25
  - physical, identifying 10-8
  - range of 10-9
  - restarting 10-32
  - shutting down 10-32
  - status 10-30
  - supported 10-8
  - types of 10-1
- interfaces range macro command 10-10
- interface types 10-8
- ENI 10-2
  - NNI 10-2
  - UNI 10-2
- Interior Gateway Protocol
- See IGP
- Intermediate System-to-Intermediate System
- See IS-IS
- internal BGP
- See IBGP
- internal neighbors, BGP 36-46
- Internet Control Message Protocol
- See ICMP
- Internet Group Management Protocol
- See IGMP
- Internet Protocol version 6
- See IPv6
- inter-VLAN routing 1-10, 36-2
- Intrusion Detection System
- See IDS appliances
- inventory management TLV 25-6
- IP ACLs
- for QoS classification 34-11
  - implicit deny 32-9, 32-13
  - implicit masks 32-9
  - named 32-14
  - undefined 32-20
- IP addresses
- 128-bit 37-2
  - classes of 36-5
  - default configuration 36-4
  - discovering 5-31
  - for IP routing 36-4
  - IPv6 37-2
  - MAC address association 36-7
  - monitoring 36-16
- IP broadcast address 36-14
- ip cef distributed command 36-96
- IP directed broadcasts 36-13
- ip igmp profile command 22-25
- IP information
- assigned
    - manually 3-14
    - through DHCP-based autoconfiguration 3-3
  - default configuration 3-3
- IP multicast routing
- addresses
    - all-hosts 44-2
    - all-multicast-routers 44-2
    - host group address range 44-2
  - administratively-scoped boundaries, described 44-45
  - and IGMP snooping 22-1
- Auto-RP
- adding to an existing sparse-mode cloud 44-25
  - benefits of 44-25
  - clearing the cache 44-47
  - configuration guidelines 44-10
  - filtering incoming RP announcement messages 44-28
  - overview 44-6

- preventing candidate RP spoofing [44-28](#)
- preventing join messages to false RPs [44-27](#)
- setting up in a new internetwork [44-25](#)
- using with BSR [44-33](#)
- bootstrap router
  - configuration guidelines [44-10](#)
  - configuring candidate BSRs [44-31](#)
  - configuring candidate RPs [44-32](#)
  - defining the IP multicast boundary [44-30](#)
  - defining the PIM domain border [44-29](#)
  - overview [44-6](#)
  - using with Auto-RP [44-33](#)
- Cisco implementation [44-1](#)
- configuring
  - basic multicast routing [44-10](#)
  - IP multicast boundary [44-45](#)
- default configuration [44-8](#)
- enabling
  - multicast forwarding [44-11](#)
  - PIM mode [44-12](#)
- group-to-RP mappings
  - Auto-RP [44-6](#)
  - BSR [44-6](#)
- MBONE
  - deleting sdr cache entries [44-47](#)
  - described [44-44](#)
  - displaying sdr cache [44-48](#)
  - enabling sdr listener support [44-44](#)
  - limiting sdr cache entry lifetime [44-45](#)
  - SAP packets for conference session announcement [44-44](#)
  - Session Directory (sdr) tool, described [44-44](#)
- monitoring
  - packet rate loss [44-48](#)
  - peering devices [44-48](#)
  - tracing a path [44-48](#)
- multicast forwarding, described [44-7](#)
- PIMv1 and PIMv2 interoperability [44-9](#)
- reverse path check (RPF) [44-7](#)
- routing table
  - deleting [44-47](#)
  - displaying [44-48](#)
- RP
  - assigning manually [44-23](#)
  - configuring Auto-RP [44-25](#)
  - configuring PIMv2 BSR [44-29](#)
  - monitoring mapping information [44-34](#)
  - using Auto-RP and BSR [44-33](#)
  - statistics, displaying system and network [44-47](#)
  - See also IGMP
  - See also PIM
- IP packets, classification [34-6](#)
- IP Port Security for Static Hosts
  - on a Layer 2 access port [20-23](#)
  - on a PVLAN host port [20-26](#)
- IP precedence
  - classification [34-9](#)
  - values [34-6](#)
- IP protocols
  - routing [1-10](#)
- IP routes, monitoring [36-110](#)
- IP routing
  - connecting interfaces with [10-7](#)
  - disabling [36-17](#)
  - enabling [36-17](#)
- IP Service Level Agreements
  - See IP SLAs
- IP service levels, analyzing [41-1](#)
- IP SLAs
  - benefits [41-2](#)
  - CFM endpoint discovery [43-19](#)
  - configuration guidelines [41-6](#)
  - configuring object tracking [42-9](#)
  - Control Protocol [41-4](#)
  - default configuration [41-6](#)
  - definition [41-1](#)
  - ICMP echo operation [41-11](#)
  - manually configuring CFM ping or jitter [43-18](#)

- measuring network performance [41-3](#)
- monitoring [41-13](#)
- multioperations scheduling [41-5](#)
- object tracking [42-9](#)
- operation [41-3](#)
- reachability tracking [42-9](#)
- responder
  - described [41-4](#)
  - enabling [41-7](#)
- response time [41-4](#)
- scheduling [41-5](#)
- SNMP support [41-2](#)
- supported metrics [41-2](#)
- threshold monitoring [41-6](#)
- track object monitoring agent, configuring [42-11](#)
- track state [42-9](#)
- UDP jitter operation [41-8](#)
- IP source guard
  - and 802.1x [20-21](#)
  - and DHCP snooping [20-19](#)
  - and EtherChannels [20-21](#)
  - and port security [20-21](#)
  - and private VLANs [20-21](#)
  - and routed ports [20-21](#)
  - and TCAM entries [20-21](#)
  - and trunk interfaces [20-21](#)
  - and VRF [20-21](#)
  - binding configuration
    - automatic [20-19](#)
    - manual [20-19](#)
  - binding table [20-19](#)
  - configuration guidelines [20-21](#)
  - default configuration [20-21](#)
  - described [20-19](#)
  - disabling [20-22](#)
  - displaying
    - bindings [20-28](#)
    - configuration [20-28](#)
  - enabling [20-21, 20-23](#)
  - filtering
    - source IP address [20-19](#)
    - source IP and MAC address [20-20](#)
  - source IP address filtering [20-19](#)
  - source IP and MAC address filtering [20-20](#)
  - static bindings
    - adding [20-21, 20-23](#)
    - deleting [20-22](#)
  - static hosts [20-23](#)
- IP traceroute
  - executing [46-15](#)
  - overview [46-14](#)
- IP unicast routing
  - address resolution [36-7](#)
  - administrative distances [36-98, 36-109](#)
  - ARP [36-7](#)
  - assigning IP addresses to Layer 3 interfaces [36-5](#)
  - authentication keys [36-109](#)
  - broadcast
    - address [36-14](#)
    - flooding [36-15](#)
    - packets [36-12](#)
    - storms [36-12](#)
  - classless routing [36-6](#)
  - configuring static routes [36-97](#)
  - default
    - addressing configuration [36-4](#)
    - gateways [36-10](#)
    - networks [36-99](#)
    - routes [36-99](#)
    - routing [36-2](#)
  - directed broadcasts [36-13](#)
  - disabling [36-17](#)
  - dynamic routing [36-3](#)
  - enabling [36-17](#)
  - EtherChannel Layer 3 interface [36-3](#)
  - IGP [36-23](#)
  - inter-VLAN [36-2](#)
  - IP addressing

- classes 36-5
    - configuring 36-4
  - IPv6 37-2
  - IRDP 36-11
  - Layer 3 interfaces 36-3
  - MAC address and IP address 36-7
  - passive interfaces 36-107
  - proxy ARP 36-8
  - redistribution 36-100
  - reverse address resolution 36-7
  - routed ports 36-3
  - static routing 36-2
  - steps to configure 36-3
  - subnet mask 36-5
  - subnet zero 36-5
  - supernet 36-6
  - UDP 36-14
  - with SVIs 36-3
  - See also BGP
  - See also EIGRP
  - See also IS-IS
  - See also OSPF
  - See also RIP
- IPv4 ACLs
- applying to interfaces 32-19
  - extended, creating 32-10
  - named 32-14
  - standard, creating 32-9
- IPv6
- ACLs
    - displaying 39-8
    - limitations 39-3
    - matching criteria 39-3
    - port 39-2
    - precedence 39-2
    - router 39-2
    - supported 39-2
  - addresses 37-2
  - address formats 37-2
  - applications 37-4
  - assigning address 37-9
  - autoconfiguration 37-4
  - CEFv6 37-18
  - default configuration 37-9
  - default router preference (DRP) 37-4
  - defined 37-1
  - Enhanced Interior Gateway Routing Protocol (EIGRP) IPv6 37-6
    - Router ID 37-6
  - feature limitations 37-8
  - features not supported 37-7
  - forwarding 37-9
  - ICMP 37-4
  - neighbor discovery 37-4
  - OSPF 37-6
  - path MTU discovery 37-3
  - SDM templates 7-2, 38-1, 39-1
  - Stateless Autoconfiguration 37-4
  - supported features 37-2
  - switch limitations 37-8
  - understanding static routes 37-6
- IPv6 traffic, filtering 39-3
- IRDP
- configuring 36-11
  - definition 36-11
  - support for 1-10
- IS-IS
- addresses 36-62
  - area routing 36-62
  - default configuration 36-63
  - monitoring 36-71
  - show commands 36-71
  - support for 1-10
  - system routing 36-62
- ISL trunking with IEEE 802.1 tunneling 14-5
- ISO CLNS
- clear commands 36-71
  - dynamic routing protocols 36-62

monitoring [36-71](#)  
 NETs [36-62](#)  
 NSAPs [36-62](#)  
 OSI standard [36-62](#)

## ISO IGRP

area routing [36-62](#)  
 system routing [36-62](#)

isolated port [13-2](#)

isolated VLANs [13-2, 13-3](#)

ITU-T Y.1731

See Y.1731

---

## J

join messages, IGMP [22-3](#)

---

## K

### KDC

described [8-32](#)  
 See also Kerberos

keepalive command [10-17](#)

keepalive messages [15-3](#)

keepalive messages, default [10-17](#)

### Kerberos

authenticating to  
   boundary switch [8-34](#)  
   KDC [8-34](#)  
   network services [8-35](#)  
 configuration examples [8-32](#)  
 configuring [8-35](#)  
 credentials [8-32](#)  
 cryptographic software image [8-32](#)  
 described [8-32](#)  
 KDC [8-32](#)  
 operation [8-34](#)  
 realm [8-33](#)  
 server [8-33](#)

support for [1-8](#)  
 switch as trusted third party [8-32](#)  
 terms [8-33](#)  
 TGT [8-34](#)  
 tickets [8-32](#)

key distribution center

See KDC

---

## L

l2protocol forward command [14-14](#)

l2protocol peer command [14-14](#)

l2protocol-tunnel command [14-25](#)

### LACP

Layer 2 protocol tunneling [14-21](#)  
 See EtherChannel

Layer 2 interfaces, default configuration [10-15](#)

Layer 2 packets, classification [34-6](#)

Layer 2 protocol packets, and control-plane security [33-2](#)

Layer 2 protocol tunneling

  configuring [14-22](#)  
   configuring for EtherChannels [14-26](#)  
   default configuration [14-23](#)  
   defined [14-20](#)  
   guidelines [14-23](#)

layer-2 template [7-1](#)

Layer 2 traceroute

  and ARP [46-14](#)  
   and CDP [46-13](#)  
   broadcast traffic [46-13](#)  
   described [46-13](#)  
   IP addresses and subnets [46-14](#)  
   MAC addresses and VLANs [46-13](#)  
   multicast traffic [46-13](#)  
   multiple devices on a port [46-14](#)  
   unicast traffic [46-13](#)  
   usage guidelines [46-13](#)

Layer 3 features [1-10](#)

Layer 3 interfaces



- assigning IP addresses to [36-5](#)
- assigning IPv4 and IPv6 addresses to [37-12](#)
- assigning IPv6 addresses to [37-10](#)
- changing from Layer 2 mode [36-5, 36-88](#)
- types of [36-3](#)
- LDAP [4-2](#)
- Leaking IGMP Reports [19-4](#)
- lightweight directory access protocol
  - See LDAP
- line configuration mode [2-2](#)
- Link Aggregation Control Protocol
  - See EtherChannel
- Link Failure, detecting unidirectional [16-8](#)
- link integrity, verifying with REP [18-3](#)
- Link Layer Discovery Protocol
  - See CDP
- link local unicast addresses [37-3](#)
- link monitoring, Ethernet OAM [43-34, 43-37](#)
- link redundancy
  - See Flex Links
- links, unidirectional [26-1](#)
- link state advertisements (LSAs) [36-30](#)
- link-state tracking
  - configuration guidelines [35-24](#)
  - configuring [35-24](#)
  - described [35-22](#)
- LLDP
  - configuring [25-3](#)
    - characteristics [25-4](#)
    - default configuration [25-3](#)
  - disabling and enabling
    - globally [25-5](#)
    - on an interface [25-5](#)
  - monitoring and maintaining [25-8](#)
  - overview [25-1](#)
  - supported TLVs [25-2](#)
  - transmission timer and holdtime, setting [25-4](#)
- LLDP-MED
  - configuring [25-3](#)

- configuring TLVs [25-6](#)
- monitoring and maintaining [25-8](#)
- overview [25-1, 25-2](#)
- supported TLVs [25-2](#)
- LLDP Media Endpoint Discovery
  - See LLDP-MED
- load balancing [40-4](#)
- local SPAN [27-2](#)
- location TLV [25-3, 25-6](#)
- logging messages, ACL [32-8](#)
- login authentication
  - with RADIUS [8-23](#)
  - with TACACS+ [8-14](#)
- login banners [5-17](#)
- log messages
  - See system message logging
- loop guard
  - described [17-5](#)
  - enabling [17-10](#)
  - support for [1-6](#)

---

## M

- MAC addresses
  - aging time [5-21](#)
  - and VLAN association [5-20](#)
  - building the address table [5-20](#)
  - default configuration [5-21](#)
  - disabling learning on a VLAN [5-30](#)
  - discovering [5-31](#)
  - displaying [5-31](#)
  - displaying in the IP source binding table [20-28](#)
  - dynamic
    - learning [5-20](#)
    - removing [5-22](#)
  - in ACLs [32-26](#)
  - IP address association [36-7](#)
  - static
    - adding [5-28](#)

- allowing [5-29, 5-30](#)
  - characteristics of [5-27](#)
  - dropping [5-29](#)
  - removing [5-28](#)
- MAC address learning, disabling on a VLAN [5-30](#)
- MAC address notification, support for [1-11](#)
- MAC address-table move update
  - configuration guidelines [19-8](#)
  - configuring [19-12](#)
  - default configuration [19-7](#)
  - description [19-6](#)
  - monitoring [19-14](#)
- MAC address-to-VLAN mapping [12-23](#)
- MAC extended access lists
  - applying to Layer 2 interfaces [32-28](#)
  - configuring for QoS [34-40](#)
  - creating [32-26](#)
  - defined [32-26](#)
- macros
  - See command macros
- Maintenance end points
  - See MEPs
- Maintenance intermediate points
  - See MIPs
- manageability features [1-3](#)
- management access
  - in-band
    - CLI session [1-4](#)
    - SNMP [1-4](#)
  - out-of-band console port connection [1-4](#)
- management options
  - CLI [2-1](#)
  - CNS [4-1](#)
  - overview [1-3](#)
- manual preemption, REP, configuring [18-13](#)
- marking
  - action with aggregate policers [34-54](#)
  - described [34-2, 34-16](#)
- match command, QoS
  - for classification [34-3, 34-7](#)
  - guidelines [34-41](#)
- matching, IPv4 ACLs [32-7](#)
- matching classifications, QoS [34-7](#)
- maximum aging time
  - MSTP [16-25](#)
  - STP [15-22](#)
- maximum hop count, MSTP [16-25](#)
- maximum number of allowed devices, port-based authentication [9-14](#)
- maximum-paths command [36-50, 36-97](#)
- ME 3400EG-2CS switch policers [33-4](#)
- ME 3400E-24TS switch policers [33-4](#)
- ME 3400EG-12CS switch policers [33-4](#)
- media-type command [10-21](#)
- membership mode, VLAN port [12-5](#)
- MEPs
  - and STP [43-4](#)
  - defined [43-3](#)
- messages
  - Ethernet OAM [43-34](#)
  - to users through banners [5-17](#)
- metrics, in BGP [36-50](#)
- metric translations, between routing protocols [36-104](#)
- metro tags [14-2](#)
- MHSRP [40-4](#)
- MIBs
  - accessing files with FTP [A-4](#)
  - location of files [A-4](#)
  - overview [30-1](#)
  - SNMP interaction with [30-4](#)
  - supported [A-1](#)
- MIPs
  - and STP [43-4](#)
  - defined [43-4](#)
- mirroring traffic for analysis [27-1](#)
- mismatches, autonegotiation [46-8](#)
- modular QoS command-line interface
  - See MQC

- module number [10-8](#)
- monitoring
  - access groups [32-39](#)
  - BGP [36-61](#)
  - cables for unidirectional links [26-1](#)
  - CDP [24-5](#)
  - CEF [36-96](#)
  - control-plane security [33-7](#)
  - EIGRP [36-41](#)
  - E-LMI [43-54](#)
  - Ethernet CFM [43-31, 43-32](#)
  - Ethernet OAM [43-43](#)
  - Ethernet OAM protocol [43-43](#)
  - features [1-11](#)
  - Flex Links [19-14](#)
  - HSRP [40-12](#)
  - IEEE 802.1Q tunneling [14-30](#)
  - IGMP
    - filters [22-29](#)
    - snooping [22-14, 38-12](#)
  - interfaces [10-30](#)
  - IP
    - address tables [36-16](#)
    - multicast routing [44-47](#)
    - routes [36-110](#)
  - IP SLAs operations [41-13](#)
  - IPv4 ACL configuration [32-39](#)
  - IPv6 ACL configuration [39-8](#)
  - IS-IS [36-71](#)
  - ISO CLNS [36-71](#)
  - Layer 2 protocol tunneling [14-30](#)
  - MAC address-table move update [19-14](#)
  - MSDP peers [45-17](#)
  - multicast router interfaces [22-15, 38-12](#)
  - multi-VRF CE [36-95](#)
  - MVR [22-23](#)
  - network traffic for analysis with probe [27-2](#)
  - OAM manager [43-54](#)
  - object tracking [42-12](#)
  - OSPF [36-34](#)
  - port
    - blocking [23-17](#)
    - protection [23-17](#)
  - private VLANs [13-15](#)
  - QoS [34-98](#)
  - REP [18-14](#)
  - RP mapping information [44-34](#)
  - SFPs
    - status [10-31](#)
  - SFP status [1-11, 10-31, 46-9](#)
  - source-active messages [45-17](#)
  - speed and duplex mode [10-20](#)
  - SSM mapping [44-23](#)
  - traffic flowing among switches [28-1](#)
  - traffic suppression [23-17](#)
  - tunneling [14-30](#)
  - VLAN
    - filters [32-39](#)
    - maps [32-39](#)
  - VLANs [12-14](#)
  - VMPS [12-28](#)
- MQC
  - process [34-3](#)
  - steps to configure [34-3](#)
- mrouter Port [19-3](#)
- mrouter port [19-5](#)
- MSDP
  - benefits of [45-3](#)
  - clearing MSDP connections and statistics [45-17](#)
  - controlling source information
    - forwarded by switch [45-11](#)
    - originated by switch [45-8](#)
    - received by switch [45-13](#)
  - default configuration [45-3](#)
  - dense-mode regions
    - sending SA messages to [45-15](#)
    - specifying the originating address [45-16](#)
  - filtering

- incoming SA messages [45-13](#)
  - SA messages to a peer [45-11](#)
  - SA requests from a peer [45-10](#)
- join latency, defined [45-6](#)
- meshed groups
  - configuring [45-14](#)
  - defined [45-14](#)
- originating address, changing [45-16](#)
- overview [45-1](#)
- peer-RPF flooding [45-2](#)
- peers
  - configuring a default [45-4](#)
  - monitoring [45-17](#)
  - peering relationship, overview [45-1](#)
  - requesting source information from [45-7](#)
  - shutting down [45-15](#)
- source-active messages
  - caching [45-6](#)
  - clearing cache entries [45-18](#)
  - defined [45-2](#)
  - filtering from a peer [45-10](#)
  - filtering incoming [45-13](#)
  - filtering to a peer [45-11](#)
  - limiting data with TTL [45-12](#)
  - monitoring [45-17](#)
  - restricting advertised sources [45-8](#)
- support for [1-10](#)
- MSTP
  - boundary ports
    - configuration guidelines [16-15](#)
    - described [16-6](#)
  - BPDU filtering
    - described [17-3](#)
    - enabling [17-8](#)
  - BPDU guard
    - described [17-3](#)
    - enabling [17-7](#)
  - CIST, described [16-3](#)
  - CIST regional root
    - CIST root [16-5](#)
    - configuration guidelines [16-15](#), [17-6](#)
    - configuring
      - forward-delay time [16-24](#)
      - hello time [16-24](#)
      - link type for rapid convergence [16-26](#)
      - maximum aging time [16-25](#)
      - maximum hop count [16-25](#)
      - MST region [16-16](#)
      - neighbor type [16-26](#)
      - path cost [16-22](#)
      - port priority [16-20](#)
      - root switch [16-17](#)
      - secondary root switch [16-19](#)
      - switch priority [16-23](#)
  - CST
    - defined [16-3](#)
    - operations between regions [16-3](#)
  - default configuration [16-14](#)
  - default optional feature configuration [17-5](#)
  - displaying status [16-28](#)
  - enabling the mode [16-16](#)
  - EtherChannel guard
    - described [17-3](#)
    - enabling [17-9](#)
  - extended system ID
    - effects on root switch [16-17](#)
    - effects on secondary root switch [16-19](#)
    - unexpected behavior [16-18](#)
  - IEEE 802.1s
    - implementation [16-6](#)
    - port role naming change [16-7](#)
  - instances supported [15-10](#)
  - interface state, blocking to forwarding [17-2](#)
  - interoperability and compatibility among modes [15-10](#)
  - interoperability with 802.1D
    - described [16-8](#)
    - restarting migration process [16-27](#)

- IST
  - defined [16-2](#)
  - master [16-3](#)
  - operations within a region [16-3](#)
- loop guard
  - described [17-5](#)
  - enabling [17-10](#)
- mapping VLANs to MST instance [16-16](#)
- MST region
  - CIST [16-3](#)
  - configuring [16-16](#)
  - described [16-2](#)
  - hop-count mechanism [16-5](#)
  - IST [16-2](#)
  - supported spanning-tree instances [16-2](#)
- optional features supported [1-6](#)
- overview [16-2](#)
- Port Fast
  - described [17-2](#)
  - enabling [17-6](#)
- preventing root switch selection [17-4](#)
- root guard
  - described [17-4](#)
  - enabling [17-10](#)
- root switch
  - configuring [16-18](#)
  - effects of extended system ID [16-17](#)
  - unexpected behavior [16-18](#)
- shutdown Port Fast-enabled port [17-3](#)
- status, displaying [16-28](#)
- multicast Ethernet loopback (ETH-LB) [43-25](#)
- multicast Ethernet loopback, using [43-30](#)
- multicast groups
  - Immediate Leave [22-5](#)
  - leaving [22-5](#)
  - static joins [22-8, 38-8](#)
- multicast packets
  - ACLs on [32-38](#)
- multicast router interfaces, monitoring [22-15, 38-12](#)
- multicast router ports, adding [22-7, 38-9](#)
- Multicast Source Discovery Protocol
  - See MSDP
- multicast storm [23-1](#)
- multicast storm-control command [23-4](#)
- multicast television application [22-16](#)
- multicast VLAN [22-15](#)
- Multicast VLAN Registration
  - See MVR
- multioperations scheduling, IP SLAs [41-5](#)
- Multiple HSRP
  - See MHSRP
- multiple VPN routing/forwarding in customer edge devices
  - See multi-VRF CE
- multi-VRF CE
  - configuration example [36-91](#)
  - configuration guidelines [36-85](#)
  - configuring [36-84](#)
  - default configuration [36-84](#)
  - defined [1-17, 36-82](#)
  - displaying [36-95](#)
  - monitoring [36-95](#)
  - network components [36-84](#)
  - packet-forwarding process [36-84](#)
  - support for [1-11](#)
- MVR
  - and address aliasing [22-19](#)
  - and IGMPv3 [22-19](#)
  - configuration guidelines [22-18](#)
  - configuring interfaces [22-21](#)
  - default configuration [22-18](#)
  - described [22-15](#)
  - example application [22-16](#)
  - in the switch stack [22-18](#)
  - modes [22-20](#)
  - monitoring [22-23](#)
  - multicast television application [22-16](#)
  - setting global parameters [22-19](#)

support for [1-3](#)  
 MVRoT, guidelines [22-18](#)  
 MVR over trunk ports  
 See MVRoT

---

## N

named IPv4 ACLs [32-14](#)

named IPv6 ACLs [39-3](#)

NameSpace Mapper

See NSM

native VLAN

and IEEE 802.1Q tunneling [14-4](#)

configuring [12-19](#)

default [12-19](#)

NEAT

configuring [9-25](#)

overview [9-10](#)

neighbor discovery, IPv6 [37-4](#)

neighbor discovery/recovery, EIGRP [36-35](#)

neighbor offset numbers, REP [18-4](#)

neighbors, BGP [36-56](#)

Network Edge Access Topology

See NEAT

network management

CDP [24-1](#)

RMON [28-1](#)

SNMP [30-1](#)

network node interface

See NNI

network performance, measuring with IP SLAs [41-3](#)

network policy TLV [25-7](#)

Network Time Protocol

See NTP

NNI

configuring [10-17](#)

described [10-2](#)

protocol control packets on [33-1](#)

NNIs, 802.1ad [14-13](#)

no commands [2-4](#)

non-IP traffic filtering [32-26](#)

Nonstop Forwarding Awareness

See NSF Awareness

nontrunking mode [12-15](#)

normal-range VLANs

characteristics [12-3](#)

configuring [12-7](#)

defined [12-1](#)

no switchport command [10-5](#)

not-so-stubby areas

See NSSA

NSAPs, as ISO IGRP addresses [36-62](#)

NSF Awareness

BGP [36-46](#)

EIGRP [36-37](#)

IS-IS [36-64](#)

OSPF [36-25](#)

NSM [4-3](#)

NSSA, OSPF [36-30](#)

NTP

associations

authenticating [5-4](#)

defined [5-2](#)

enabling broadcast messages [5-6](#)

peer [5-5](#)

server [5-5](#)

default configuration [5-4](#)

displaying the configuration [5-11](#)

overview [5-2](#)

restricting access

creating an access group [5-8](#)

disabling NTP services per interface [5-10](#)

source IP address, configuring [5-10](#)

stratum [5-2](#)

support for [1-4](#)

synchronizing devices [5-5](#)

time

services [5-2](#)

synchronizing 5-2

---

## O

### OAM

- client 43-33
- features 43-34
- sublayer 43-33

### OAM manager

- and E-LMI 43-47
- configuration guidelines 43-49
- configuring 43-49, 43-55
- monitoring 43-54
- purpose of 43-47
- with CFM 43-48
- with CFM and Ethernet OAM 43-54

### OAM PDUs 43-35

### OAM protocol data units 43-33

### OBFL

- configuring 46-22
- described 46-22
- displaying 46-23

### object tracking

- HSRP 42-7
- IP SLAs 42-9
- IP SLAs, configuring 42-9
- monitoring 42-12

### on-board failure logging

See OBFL

### online diagnostics

- described 47-1
- overview 47-1
- running tests 47-5

### Open Shortest Path First

See OSPF

### optimizing system resources 7-1

### options, management 1-3

### OSPF

- area parameters, configuring 36-30

- configuring 36-25

### default configuration

- metrics 36-31
- route 36-31
- settings 36-24

- described 36-23

- for IPv6 37-6

- interface parameters, configuring 36-26

- LSA group pacing 36-32

- monitoring 36-34

- network types, configuring 36-29

- router IDs 36-33

- route summarization 36-31

- support for 1-10

- virtual links 36-31

- output policies 34-5

### output policy maps

- classification criteria 34-5
- configuration guidelines 34-65
- configuring 34-65
- displaying statistics 34-99

---

## P

### packet classification

- defined 34-6
- to organize traffic 34-2

### packet marking

- configuring 34-58
- defined 34-21

- packet policing, for QoS 34-2

### PAgP

- Layer 2 protocol tunneling 14-21
- See EtherChannel

- parallel paths, in routing tables 36-97

- parent policies, QoS 34-13, 34-28

### passive interfaces

- configuring 36-107
- OSPF 36-31

## passwords

- default configuration [8-2](#)
- disabling recovery of [8-5](#)
- encrypting [8-3](#)
- for security [1-7](#)
- overview [8-1](#)
- recovery of [46-3](#)
- setting
  - enable [8-3](#)
  - enable secret [8-3](#)
  - Telnet [8-6](#)
  - with usernames [8-6](#)

## path cost

- MSTP [16-22](#)
- STP [15-19](#)

path MTU discovery [37-3](#)

## PBR

- defined [36-104](#)
- enabling [36-106](#)
- fast-switched policy-based routing [36-107](#)
- local policy-based routing [36-107](#)

peers, BGP [36-56](#)percentage thresholds in tracked lists [42-6](#)performance features [1-2](#)periodic data collection and transfer mechanism [30-6](#)per-port, per-VLAN policy maps, configuration guidelines [34-60](#)

## per-port facility loopback

- defined [43-44](#)

per-port per VLAN policing [34-13, 34-60](#)

## per-VLAN spanning-tree plus

- See PVST+

PE to CE routing, configuring [36-90](#)physical ports [10-3](#)

## PIM

- default configuration [44-8](#)
- dense mode
  - overview [44-4](#)
- rendezvous point (RP), described [44-4](#)

RPF lookups [44-8](#)displaying neighbors [44-48](#)enabling a mode [44-12](#)overview [44-3](#)router-query message interval, modifying [44-37](#)shared tree and source tree, overview [44-34](#)shortest path tree, delaying the use of [44-36](#)

## sparse mode

join messages and shared tree [44-4](#)overview [44-4](#)prune messages [44-4](#)RPF lookups [44-8](#)

## stub routing

configuration guidelines [44-12](#)enabling [44-13](#)overview [44-5](#)support for [1-10](#)

## versions

interoperability [44-9](#)troubleshooting interoperability problems [44-34](#)v2 improvements [44-3](#)

## ping

executing [46-10](#)overview [46-10](#)police aggregate command [34-57](#)police command, with individual policers [34-46, 34-63](#)policer aggregate command [34-54](#)

## policer configuration

default for ENIs and UNIs [33-4](#)default for NNIs [33-6](#)policer instances supported [34-4](#)

## policers

configuring for more than one traffic class [34-54](#)described [34-2](#)number supported per port [34-4](#)

## policing

aggregate in input policy maps [34-18](#)described [34-2](#)individual in input policy maps [34-16](#)



- priority in output policy maps [34-20](#)
  - QoS [34-16](#)
- policy-based routing
  - See PBR
- policy-map command [34-3](#)
- policy-map marking, configuration guidelines [34-58](#)
- policy maps
  - attaching [34-4, 34-44](#)
  - configuration examples [34-99](#)
  - described [34-16](#)
  - input
    - configuring [34-45](#)
    - described [34-4](#)
  - output
    - configuring [34-65](#)
    - described [34-4](#)
- port ACLs
  - defined [32-2](#)
  - types of [32-3](#)
- Port Aggregation Protocol
  - See EtherChannel
- port-based authentication
  - accounting [9-5](#)
  - authentication server
    - defined [9-3](#)
    - RADIUS server [9-3](#)
  - client, defined [9-2](#)
  - configuration guidelines [9-13](#)
  - configuring
    - 802.1x authentication [9-14](#)
    - host mode [9-22](#)
    - manual re-authentication of a client [9-19](#)
    - periodic re-authentication [9-18](#)
    - quiet period [9-19](#)
    - RADIUS server [9-16](#)
    - RADIUS server parameters on the switch [9-15](#)
    - switch-to-client frame-retransmission number [9-21, 9-22](#)
    - switch-to-client retransmission time [9-20](#)
    - violation mode [9-8](#)
    - violation modes [9-18](#)
  - default configuration [9-12](#)
  - described [9-1](#)
  - device roles [9-2](#)
  - displaying statistics [9-27](#)
  - EAPOL-start frame [9-3](#)
  - EAP-request/identity frame [9-3](#)
  - EAP-response/identity frame [9-3](#)
  - encapsulation [9-3](#)
  - host mode [9-6](#)
  - initiation and message exchange [9-3](#)
  - maximum number of allowed devices per port [9-14](#)
  - method lists [9-14](#)
  - multiple-hosts mode, described [9-6](#)
  - ports
    - authorization state and dot1x port-control command [9-4](#)
    - authorized and unauthorized [9-4](#)
- port security
  - described [9-7](#)
  - interactions [9-7](#)
  - multiple-hosts mode [9-6](#)
- readiness check
  - configuring [9-17](#)
  - described [9-7, 9-17](#)
- resetting to default values [9-23](#)
- statistics, displaying [9-27](#)
- switch
  - as proxy [9-3](#)
  - RADIUS client [9-3](#)
- switch supplicant
  - configuring [9-25](#)
  - overview [9-10](#)
- user distribution
  - guidelines [9-9](#)
  - overview [9-9](#)
- VLAN assignment
  - AAA authorization [9-14](#)

- characteristics 9-8
  - configuration tasks 9-9
  - described 9-8
- port blocking 1-2, 23-6
- port-channel
  - See EtherChannel
- Port Fast
  - described 17-2
  - enabling 17-6
  - support for 1-6
- port membership modes, VLAN 12-4
- port priority
  - MSTP 16-20
  - STP 15-17
- ports
  - access 10-4
  - blocking 23-6
  - dual-purpose 10-6
  - dynamic access 12-5
  - IEEE 802.1Q tunnel 12-5
  - protected 23-5
  - REP 18-6
  - routed 10-5
  - secure 23-8
  - static-access 12-5, 12-11
  - switch 10-3
  - trunks 12-5, 12-15
  - VLAN assignments 12-11
- port security
  - aging 23-15
  - and private VLANs 23-16
  - configuration guidelines 23-10
  - configuring 23-11
  - default configuration 23-10
  - described 23-8
  - displaying 23-17
  - enabling 23-16
  - on trunk ports 23-12
  - sticky learning 23-9
  - violations 23-9
  - with other features 23-10
- port shaping
  - configuring 34-70
  - described 34-27
- port-shutdown response, VMPS 12-24
- port types 10-2
- power 25-7
- power management TLV 25-7
- preempt delay time, REP 18-5
- preemption, default configuration 19-7
- preemption delay, default configuration 19-7
- preferential treatment of traffic
  - See QoS
- prefix lists, BGP 36-54
- preventing unauthorized access 8-1
- primary edge port, REP 18-4
- primary interface for object tracking, DHCP, configuring 42-11
- primary interface for static routing, configuring 42-10
- primary links 19-2
- primary VLANs 13-1, 13-3
- priority
  - HSRP 40-7
  - priority command 34-20
    - configuring strict priority queuing 34-71
    - for QoS scheduling 34-26
    - for strict priority queuing 34-30
  - priority policing, described 34-20
  - priority queues
    - configuring 34-71
    - described 34-30
    - for QoS scheduling 34-26
  - priority with police 34-31
    - commands 34-20
    - configuring 34-73
    - described 34-30
  - priority with unconditional policing, QoS 34-26
  - private VLANs

- across multiple switches [13-4](#)
  - and SVIs [13-5](#)
  - and UNI VLANs [12-13](#)
  - benefits of [13-1](#)
  - community ports [13-3](#)
  - community VLANs [13-2](#), [13-3](#)
  - configuration guidelines [13-6](#), [13-7](#), [13-8](#)
  - configuration tasks [13-6](#)
  - configuring [13-10](#)
  - default configuration [13-6](#)
  - end station access to [13-3](#)
  - IP addressing [13-4](#)
  - isolated port [13-2](#)
  - isolated VLANs [13-2](#), [13-3](#)
  - mapping [13-13](#)
  - monitoring [13-15](#)
  - ports
    - community [13-3](#)
    - configuration guidelines [13-8](#)
    - configuring host ports [13-11](#)
    - configuring promiscuous ports [13-12](#)
    - described [12-5](#)
    - isolated [13-2](#)
    - promiscuous [13-2](#)
  - primary VLANs [13-1](#), [13-3](#)
  - promiscuous ports [13-2](#)
  - secondary VLANs [13-2](#)
  - subdomains [13-1](#)
  - traffic in [13-5](#)
  - privileged EXEC mode [2-2](#)
  - privilege levels
    - changing the default for lines [8-9](#)
    - exiting [8-9](#)
    - logging into [8-9](#)
    - overview [8-2](#), [8-7](#)
    - setting a command with [8-8](#)
  - promiscuous ports
    - configuring [13-12](#)
    - defined [13-2](#)
  - protected ports [23-5](#)
  - protocol control packets [33-1](#)
  - protocol-dependent modules, EIGRP [36-35](#)
  - Protocol-Independent Multicast Protocol
    - See PIM
  - provider edge devices [1-18](#), [36-83](#)
  - proxy ARP
    - configuring [36-9](#)
    - definition [36-8](#)
    - with IP routing disabled [36-10](#)
  - proxy reports [19-3](#)
  - PVST+
    - 802.1Q trunking interoperability [15-11](#)
    - described [15-9](#)
    - instances supported [15-10](#)
- 
- Q
- QinQ
    - See IEEE 802.1Q tunneling
  - QinQ QoS classification
    - configuration examples [34-85](#)
  - QoS
    - 802.1ad, configuring [34-89](#)
    - aggregate policers [34-18](#)
    - and MQC [34-1](#)
    - basic model [34-2](#)
    - CBWFQ [34-28](#)
    - CBWFQ, configuring [34-67](#)
    - CIR bandwidth [34-29](#)
    - class-based shaping, described [34-27](#)
    - classification
      - ACL lookup [34-11](#)
      - based on CoS value [34-8](#)
      - based on DSCP [34-9](#)
      - based on IP precedence [34-9](#)
      - based on QoS group [34-12](#)
      - based on VLAN IDs [34-13](#), [34-60](#)
      - class maps, described [34-7](#)

- comparisons 34-10
  - criteria 34-6
  - in frames and packets 34-6
  - policy maps, described 34-16
- class maps, configuration guidelines 34-41
- class maps, configuring 34-41
- configuration examples
  - adding customers 34-101
  - adding or deleting a class 34-104
  - adding or deleting classification criteria 34-101, 34-102
  - adding or deleting configured actions 34-103
  - changing queuing or scheduling parameters 34-103
- configuration guidelines
  - aggregate policers 34-54
  - CBWFQ 34-67
  - class-based shaping 34-69
  - class maps 34-41
  - general 34-35
  - individual policers 34-46
  - input policy maps 34-45
  - marking 34-58
  - output policy maps 34-65
  - unconditional priority policing 34-73
  - WTD 34-76
- configuring
  - aggregate policers 34-54
  - class-based shaping 34-69
  - classification with IP ACLs 34-37
  - class maps 34-41
  - individual policers 34-47, 34-50
  - individual policing 34-46, 34-63
  - input policy maps with marking 34-58
  - IP ACLs 34-37
  - MAC ACLs 34-40
  - output policy maps 34-65
  - port shaping 34-70
  - priority queues 34-71
  - queue size 34-32
  - requirements 34-35
  - service policies 34-44
  - strict priority queuing 34-71
  - table maps 34-43
  - unconditional priority policing 34-73
  - WTD 34-75, 34-76
- congestion avoidance 34-2, 34-32
- congestion management 34-2, 34-26
- CPU-generated traffic
  - configuring output policy classification criteria 34-5
  - configuring QoS group number 34-12
  - configuring queue-limit 34-76
  - output remarking 34-6
- default configuration 34-35
- initial configuration example 34-99
- input policy maps
  - configuring 34-45
  - described 34-5
- IP packet classification 34-6
- Layer 2 packet classification 34-6
- Layer 3 packet classification 34-6
- marking, described 34-2
- match command 34-7
- output policy maps
  - configuring 34-66
  - described 34-5
- overview 34-1
- packet classification 34-2
- packet marking 34-21
- packet policing 34-2
- parent-child hierarchy 34-28
- parent-child hierarchy 34-13, 34-28
- parent-level VLAN class 34-79
- per-port, per-VLAN hierarchical policy maps
  - configuring 34-60
  - described 34-13
- policers
  - configuring 34-47, 34-50, 34-56, 34-74

- described 34-16
- policing
  - aggregate 34-18
  - described 34-2, 34-16
  - individual 34-16
  - priority 34-20
- policy maps
  - attaching 34-44
  - attaching to an interface 34-19
  - displaying statistics 34-98
- port shaping, described 34-27
- preconfiguration 34-35
- priority policing, described 34-20
- priority with police 34-30
- queue size 34-32
- scheduling 34-26
  - CBWFQ 34-26
  - priority queuing 34-26
  - traffic shaping 34-26
- strict priority queuing 34-30
- supported table maps 34-15
- support for 1-9
- table maps 34-15
- testing 34-98
- traffic shaping, described 34-26
- unconditional priority policing 34-30
- WTD 34-32

QoS ACL

- configuration guidelines 34-37

QoS ACLs

- configuring IP extended 34-39
- configuring IP standard 34-37, 34-38
- configuring MAC 34-40

QoS groups

- classification 34-12, 34-13, 34-60
- described 34-5, 34-12

QoS information, displaying 34-98

quality of service

- See QoS

- queries, IGMP 22-3
- query solicitation, IGMP 22-11
- queue bandwidth and queue size, relationship 34-34
- queue-limit command, QoS 34-32, 34-33, 34-75
- queue size, QoS, managing 34-32

---

## R

### RADIUS

- attributes
  - vendor-proprietary 8-30
  - vendor-specific 8-29
- configuring
  - accounting 8-28
  - authentication 8-23
  - authorization 8-27
  - communication, global 8-21, 8-29
  - communication, per-server 8-20, 8-21
  - multiple UDP ports 8-21
- default configuration 8-20
- defining AAA server groups 8-25
- displaying the configuration 8-31
- identifying the server 8-20
- limiting the services to the user 8-27
- method list, defined 8-20
- operation of 8-19
- overview 8-18
- server load balancing 8-31
- suggested network environments 8-18
- support for 1-8
- tracking services accessed by user 8-28

range

- macro 10-10
- of interfaces 10-9

rapid convergence 16-10

rapid per-VLAN spanning-tree plus

- See rapid PVST+

rapid PVST+

- 802.1Q trunking interoperability 15-11

- described [15-9](#)
- instances supported [15-10](#)
- Rapid Spanning Tree Protocol
  - See RSTP
- RARP [36-8](#)
- rate-limiting threshold, CPU protection [33-6](#)
- RCP
  - configuration files
    - downloading [B-17](#)
    - overview [B-15](#)
    - preparing the server [B-16](#)
    - uploading [B-18](#)
  - image files
    - deleting old image [B-35](#)
    - downloading [B-33](#)
    - preparing the server [B-32](#)
    - uploading [B-35](#)
- reachability, tracking IP SLAs IP host [42-9](#)
- readiness check
  - port-based authentication
    - configuring [9-17](#)
    - described [9-7, 9-17](#)
- reconfirmation interval, VMPS, changing [12-27](#)
- reconfirming dynamic VLAN membership [12-27](#)
- recovery procedures [46-1](#)
- redundancy
  - EtherChannel [35-3](#)
  - HSRP [40-1](#)
  - STP
    - backbone [15-8](#)
    - path cost [12-21](#)
    - port priority [12-20](#)
- reliable transport protocol, EIGRP [36-35](#)
- reloading software [3-23](#)
- Remote Authentication Dial-In User Service
  - See RADIUS
- Remote Copy Protocol
  - See RCP
- remote failure indications [43-34](#)
- remote failure indications, Ethernet OAM [43-40](#)
- remote loopback, Ethernet OAM [43-34, 43-36](#)
- Remote Network Monitoring
  - See RMON
- Remote SPAN
  - See RSPAN
- remote SPAN [27-2](#)
- REP
  - administrative VLAN [18-8](#)
  - administrative VLAN, configuring [18-8](#)
  - age timer [18-8](#)
  - and STP [18-6](#)
  - configuration guidelines [18-7](#)
  - configuring interfaces [18-9](#)
  - convergence [18-4](#)
  - default configuration [18-7](#)
  - manual preemption, configuring [18-13](#)
  - monitoring [18-14](#)
  - neighbor offset numbers [18-4](#)
  - open segment [18-2](#)
  - ports [18-6](#)
  - preempt delay time [18-5](#)
  - primary edge port [18-4](#)
  - ring segment [18-2](#)
  - secondary edge port [18-4](#)
  - segments [18-1](#)
    - characteristics [18-2](#)
  - SNMP traps, configuring [18-13](#)
  - supported interfaces [18-1](#)
  - triggering VLAN load balancing [18-5](#)
  - verifying link integrity [18-3](#)
  - VLAN blocking [18-12](#)
  - VLAN load balancing [18-4](#)
- report suppression, IGMP
  - described [22-6](#)
  - disabling [22-14, 38-12](#)
- resequencing ACL entries [32-14](#)
- reserved addresses in DHCP pools [20-16](#)
- resets, in BGP [36-49](#)

- resetting a UDLD-shutdown interface [26-6](#)
- Resilient Ethernet Protocol
  - See REP
- responder, IP SLAs
  - described [41-4](#)
  - enabling [41-7](#)
- response time, measuring with IP SLAs [41-4](#)
- restricting access
  - NTP services [5-8](#)
  - overview [8-1](#)
  - passwords and privilege levels [8-2](#)
  - RADIUS [8-18](#)
  - TACACS+ [8-10](#)
- retry count, VMPS, changing [12-27](#)
- reverse address resolution [36-7](#)
- Reverse Address Resolution Protocol
  - See RARP
- RFC
  - 1112, IP multicast and IGMP [22-2](#)
  - 1157, SNMPv1 [30-2](#)
  - 1305, NTP [5-2](#)
  - 1587, NSSAs [36-23](#)
  - 1757, RMON [28-2](#)
  - 1901, SNMPv2C [30-2](#)
  - 1902 to 1907, SNMPv2 [30-2](#)
  - 2236, IP multicast and IGMP [22-2](#)
  - 2273-2275, SNMPv3 [30-2](#)
  - 2475, DSCP [34-10](#)
  - 2597, AF per-hop behavior [34-10](#)
  - 2598, EF [34-10](#)
- RIP
  - advertisements [36-18](#)
  - authentication [36-21](#)
  - configuring [36-19](#)
  - default configuration [36-18](#)
  - described [36-18](#)
  - for IPv6 [37-6](#)
  - hop counts [36-18](#)
  - summary addresses [36-22](#)
  - support for [1-10](#)
- RMON
  - default configuration [28-3](#)
  - displaying status [28-6](#)
  - enabling alarms and events [28-3](#)
  - groups supported [28-2](#)
  - overview [28-1](#)
  - statistics
    - collecting group Ethernet [28-5](#)
    - collecting group history [28-5](#)
  - support for [1-11](#)
- root guard
  - described [17-4](#)
  - enabling [17-10](#)
  - support for [1-6](#)
- root switch
  - MSTP [16-17](#)
  - STP [15-15](#)
- route calculation timers, OSPF [36-31](#)
- route dampening, BGP [36-60](#)
- routed packets, ACLs on [32-37](#)
- routed ports
  - configuring [36-3](#)
  - defined [10-5](#)
  - IP addresses on [10-26](#), [36-3](#)
- route-map command [36-106](#)
- route maps
  - BGP [36-52](#)
  - policy-based routing [36-104](#)
- router ACLs
  - defined [32-2](#)
  - types of [32-4](#)
- route reflectors, BGP [36-59](#)
- router ID, OSPF [36-33](#)
- route selection, BGP [36-50](#)
- route summarization, OSPF [36-31](#)
- route targets, VPN [36-84](#)
- routing
  - default [36-2](#)

- dynamic [36-3](#)
  - IPv6 traffic [37-2](#)
  - redistribution of information [36-100](#)
  - static [36-2](#)
  - routing domain confederation, BGP [36-59](#)
  - Routing Information Protocol
    - See RIP
  - routing protocol administrative distances [36-98](#)
  - RSPAN
    - characteristics [27-7](#)
    - configuration guidelines [27-16](#)
    - default configuration [27-9](#)
    - defined [27-2](#)
    - destination ports [27-6](#)
    - displaying status [27-22](#)
    - interaction with other features [27-8](#)
    - monitored ports [27-5](#)
    - monitoring ports [27-6](#)
    - overview [1-11, 27-1](#)
    - received traffic [27-4](#)
    - session limits [27-10](#)
    - sessions
      - creating [27-17](#)
      - defined [27-3](#)
      - limiting source traffic to specific VLANs [27-21](#)
      - specifying monitored ports [27-17](#)
      - with ingress traffic enabled [27-20](#)
    - source ports [27-5](#)
    - transmitted traffic [27-5](#)
    - VLAN-based [27-6](#)
  - RSPAN VLANs, and UNI VLANs [12-13](#)
  - RSTP
    - active topology [16-9](#)
    - BPDU
      - format [16-12](#)
      - processing [16-13](#)
    - designated port, defined [16-9](#)
    - designated switch, defined [16-9](#)
    - interoperability with 802.1D
      - described [16-8](#)
      - restarting migration process [16-27](#)
      - topology changes [16-13](#)
    - overview [16-8](#)
    - port roles
      - described [16-9](#)
      - synchronized [16-11](#)
    - proposal-agreement handshake process [16-10](#)
    - rapid convergence
      - described [16-10](#)
      - edge ports and Port Fast [16-10](#)
      - point-to-point links [16-10, 16-26](#)
      - root ports [16-10](#)
    - root port, defined [16-9](#)
    - See also MSTP
  - running configuration
    - replacing [B-19, B-20](#)
    - rolling back [B-19, B-20](#)
  - running configuration, saving [3-15](#)
- 
- ## S
- scheduled reloads [3-23](#)
  - scheduling, IP SLAs operations [41-5](#)
  - scheduling, QoS [34-26](#)
  - SCP
    - and SSH [8-41](#)
    - configuring [8-41](#)
  - SDM
    - described [7-1](#)
    - templates
      - configuring [7-4](#)
      - number of [7-1](#)
  - SDM template
    - configuration guidelines [7-4](#)
    - configuring [7-3](#)
    - default [7-1](#)
    - dual IPv4 and IPv6 [7-2](#)
    - layer 2 [7-1](#)



- types of 7-1
- secondary edge port, REP 18-4
- secondary VLANs 13-2
- Secure Copy Protocol
- secure MAC addresses
  - deleting 23-14
  - maximum number of 23-9
  - types of 23-8
- secure ports, configuring 23-8
- secure remote connections 8-37
- Secure Shell
  - See SSH
- security, port 23-8
- security features 1-7
- See SCP
- sequence numbers in log messages 29-8
- service-policy command
  - attaching policy maps 34-4
  - guidelines 34-66
  - using 34-44
- service-provider network, MSTP and RSTP 16-1
- service-provider networks
  - and customer VLANs 14-2
  - and IEEE 802.1Q tunneling 14-2
  - Layer 2 protocols across 14-20
  - Layer 2 protocol tunneling for EtherChannels 14-21
- set command
  - for QoS marking 34-21
  - guidelines 34-58
- set-request operation 30-4
- severity levels, defining in system messages 29-8
- SFPs
  - monitoring status of 1-11, 10-31, 46-9
  - security and identification 46-8
  - status, displaying 1-11
- shape average command, QoS 34-26, 34-27, 34-69
- shaped round robin
  - See SRR
- show access-lists hw-summary command 32-21
- show and more command output, filtering 2-8
- show cdp traffic command 24-5
- show configuration command 10-25
- show forward command 46-19
- show interfaces command 10-20, 10-25
- show interfaces switchport 19-4
- show l2protocol command 14-26, 14-27, 14-28
- show lldp traffic command 25-8
- show platform forward command 46-19
- show running-config command
  - displaying ACLs 32-19, 32-31, 32-33
  - interface description in 10-25
- shutdown command on interfaces 10-32
- shutdown threshold for Layer 2 protocol packets 14-23
- Simple Network Management Protocol
  - See SNMP
- single session ID 9-11
- SNMP traps, and CFM 43-5
- SNAP 24-1
- SNMP
  - accessing MIB variables with 30-4
  - agent
    - described 30-4
    - disabling 30-8
  - and IP SLAs 41-2
  - authentication level 30-11
  - community strings
    - configuring 30-8
    - overview 30-4
  - configuration examples 30-21
  - default configuration 30-7
  - engine ID 30-7
  - groups 30-7, 30-10
  - host 30-7
  - ifIndex values 30-5
  - in-band management 1-4
  - informs
    - and trap keyword 30-12
    - described 30-5
    - differences from traps 30-5

- disabling [30-16](#)
    - enabling [30-16](#)
  - limiting access by TFTP servers [30-17](#)
  - limiting system log messages to NMS [29-10](#)
  - manager functions [1-3, 30-3](#)
  - MIBs
    - location of [A-4](#)
    - supported [A-1](#)
  - notifications [30-5](#)
  - overview [30-1, 30-4](#)
  - security levels [30-3](#)
  - setting CPU threshold notification [30-16](#)
  - status, displaying [30-23](#)
  - system contact and location [30-17](#)
  - trap manager, configuring [30-14](#)
  - traps
    - described [30-4, 30-5](#)
    - differences from informs [30-5](#)
    - disabling [30-16](#)
    - enabling [30-12](#)
    - enabling MAC address notification [5-22, 5-24, 5-26](#)
    - overview [30-1, 30-4](#)
    - types of [30-13](#)
  - users [30-7, 30-10](#)
  - versions supported [30-2](#)
- SNMP and Syslog Over IPv6 [37-7](#)
- SNMP traps
- REP [18-13](#)
- SNMPv1 [30-2](#)
- SNMPv2C [30-2](#)
- SNMPv3 [30-3](#)
- snooping, IGMP [22-1](#)
- software images
- location in flash [B-23](#)
  - recovery procedures [46-2](#)
  - scheduling reloads [3-23](#)
  - tar file format, described [B-24](#)
- See also downloading and uploading
- source addresses
    - in IPv6 ACLs [39-5](#)
  - source addresses, in IPv4 ACLs [32-11](#)
  - source-and-destination-IP address based forwarding, EtherChannel [35-8](#)
  - source-and-destination MAC address forwarding, EtherChannel [35-8](#)
  - source-IP address based forwarding, EtherChannel [35-8](#)
  - source-MAC address forwarding, EtherChannel [35-7](#)
  - Source-specific multicast
    - See SSM
- SPAN
- configuration guidelines [27-10](#)
  - default configuration [27-9](#)
  - destination ports [27-6](#)
  - displaying status [27-22](#)
  - interaction with other features [27-8](#)
  - monitored ports [27-5](#)
  - monitoring ports [27-6](#)
  - overview [1-11, 27-1](#)
  - ports, restrictions [23-11](#)
  - received traffic [27-4](#)
  - session limits [27-10](#)
  - sessions
    - configuring ingress forwarding [27-14, 27-21](#)
    - creating [27-11](#)
    - defined [27-3](#)
    - limiting source traffic to specific VLANs [27-15](#)
    - removing destination (monitoring) ports [27-12](#)
    - specifying monitored ports [27-11](#)
    - with ingress traffic enabled [27-13](#)
  - source ports [27-5](#)
  - traffic [27-4](#)
  - transmitted traffic [27-5](#)
  - VLAN-based [27-6](#)
- spanning tree and native VLANs [12-16](#)
- Spanning Tree Protocol
- See STP
- speed, configuring on interfaces [10-18](#)

- SRR, support for [1-9](#)
- SSH
  - configuring [8-38](#)
  - cryptographic software image [8-37](#)
  - described [1-4, 8-37](#)
  - encryption methods [8-37](#)
  - user authentication methods, supported [8-37](#)
- SSM
  - address management restrictions [44-17](#)
  - CGMP limitations [44-17](#)
  - components [44-15](#)
  - configuration guidelines [44-16](#)
  - configuring [44-14, 44-17](#)
  - differs from Internet standard multicast [44-15](#)
  - IGMP snooping [44-17](#)
  - IGMPv3 [44-15](#)
  - IGMPv3 Host Signalling [44-16](#)
  - IP address range [44-15](#)
  - monitoring [44-17](#)
  - operations [44-15](#)
  - PIM [44-15](#)
  - state maintenance limitations [44-17](#)
- SSM mapping
  - configuration guidelines [44-18](#)
  - configuring [44-18, 44-20](#)
  - defined [44-18](#)
  - DNS-based [44-19, 44-21](#)
  - monitoring [44-23](#)
  - overview [44-19](#)
  - restrictions [44-18](#)
  - static [44-19, 44-21](#)
  - static traffic forwarding [44-22](#)
- standby ip command [40-6](#)
- standby links [19-2](#)
- standby router [40-1](#)
- standby timers, HSRP [40-10](#)
- startup configuration
  - booting
    - manually [3-20](#)
    - specific image [3-20](#)
  - clearing [B-19](#)
  - configuration file
    - automatically downloading [3-19](#)
    - specifying the filename [3-19](#)
  - default boot configuration [3-19](#)
- static access ports
  - assigning to VLAN [12-11](#)
  - defined [10-4, 12-5](#)
- static addresses
  - See addresses
- static IP routing [1-10](#)
- static MAC addressing [1-8](#)
- static route primary interface, configuring [42-10](#)
- static routes
  - understanding [37-6](#)
- static routes, configuring [36-97](#)
- static routing [36-2](#)
- static SSM mapping [44-19, 44-21](#)
- static traffic forwarding [44-22](#)
- static VLAN membership [12-2](#)
- statistics
  - 802.1x [9-27](#)
  - CDP [24-5](#)
  - interface [10-30](#)
  - IP multicast routing [44-47](#)
  - LLDP [25-8](#)
  - LLDP-MED [25-8](#)
  - OSPF [36-34](#)
  - RMON group Ethernet [28-5](#)
  - RMON group history [28-5](#)
  - SNMP input and output [30-23](#)
- sticky learning [23-9](#)
- storm control
  - configuring [23-3](#)
  - described [23-1](#)
  - disabling [23-5](#)
  - displaying [23-17](#)
  - support for [1-2](#)

- thresholds [23-1](#)
- STP
  - and REP [18-6](#)
  - BPDU filtering
    - described [17-3](#)
    - disabling [17-9](#)
    - enabling [17-8](#)
  - BPDU guard
    - described [17-3](#)
    - disabling [17-8](#)
    - enabling [17-7](#)
  - BPDU message exchange [15-3](#)
  - configuration guidelines [15-12, 17-6](#)
  - configuring
    - forward-delay time [15-22](#)
    - hello time [15-21](#)
    - maximum aging time [15-22](#)
    - path cost [15-19](#)
    - port priority [15-17](#)
    - root switch [15-15](#)
    - secondary root switch [15-17](#)
    - spanning-tree mode [15-14](#)
    - switch priority [15-20](#)
  - counters, clearing [15-23](#)
  - default configuration [15-11](#)
  - default optional feature configuration [17-5](#)
  - designated port, defined [15-4](#)
  - designated switch, defined [15-4](#)
  - disabling [15-15](#)
  - displaying status [15-23](#)
  - EtherChannel guard
    - described [17-3](#)
    - disabling [17-10](#)
    - enabling [17-9](#)
  - extended system ID
    - effects on root switch [15-15](#)
    - effects on the secondary root switch [15-17](#)
    - overview [15-4](#)
    - unexpected behavior [15-16](#)
  - features supported [1-5](#)
  - IEEE 802.1D and bridge ID [15-4](#)
  - IEEE 802.1D and multicast addresses [15-9](#)
  - IEEE 802.1t and VLAN identifier [15-4](#)
  - inferior BPDU [15-3](#)
  - instances supported [15-10](#)
  - interface state, blocking to forwarding [17-2](#)
  - interface states
    - blocking [15-6](#)
    - disabled [15-7](#)
    - forwarding [15-6, 15-7](#)
    - learning [15-7](#)
    - listening [15-6](#)
    - overview [15-4](#)
  - interoperability and compatibility among modes [15-10](#)
  - keepalive messages [15-3](#)
  - Layer 2 protocol tunneling [14-20](#)
  - limitations with 802.1Q trunks [15-11](#)
  - load sharing
    - overview [12-19](#)
    - using path costs [12-21](#)
    - using port priorities [12-20](#)
  - loop guard
    - described [17-5](#)
    - enabling [17-10](#)
  - modes supported [15-9](#)
  - multicast addresses, effect of [15-9](#)
  - optional features supported [1-6](#)
  - overview [15-2](#)
  - path costs [12-21, 12-22](#)
  - Port Fast
    - described [17-2](#)
    - enabling [17-6](#)
  - port priorities [12-20](#)
  - preventing root switch selection [17-4](#)
  - protocols supported [15-9](#)
  - redundant connectivity [15-8](#)
  - root guard

- described 17-4
- enabling 17-10
- root port, defined 15-3
- root switch
  - configuring 15-15
  - effects of extended system ID 15-4, 15-15
  - election 15-3
  - unexpected behavior 15-16
- status, displaying 15-23
- superior BPDU 15-3
- timers, described 15-21
- stratum, NTP 5-2
- strict priority queuing 34-71
  - configuration guidelines 34-71
  - configuring 34-72
  - defined 34-30
  - QoS 34-30
- stub areas, OSPF 36-30
- stub routing, EIGRP 36-40
- subdomains, private VLAN 13-1
- subnet mask 36-5
- subnet zero 36-5
- success response, VMPS 12-24
- summer time 5-13
- S-UNI isolated ports 14-18
- S-UNIs 14-13
- SunNet Manager 1-3
- supernet 36-6
- SVIs
  - and IP unicast routing 36-3
  - and router ACLs 32-4
  - connecting VLANs 10-7
  - defined 10-5
  - routing between VLANs 12-2
- S-VLAN 14-7
- S-VLAN and C-VLAN in parent policy maps 34-79
- switch 37-2
- switch console port 1-4
- Switch Database Management
  - See SDM
  - switched packets, ACLs on 32-37
  - Switched Port Analyzer
    - See SPAN
  - switched ports 10-3
  - switchport backup interface 19-4, 19-5
  - switchport block multicast command 23-7
  - switchport block unicast command 23-7
  - switchport command 10-15
  - switchport mode dot1q-tunnel command 14-7
  - switchport protected command 23-6
  - switch priority
    - MSTP 16-23
    - STP 15-20
  - switch software features 1-1
  - switch virtual interface
    - See SVI
  - synchronization, BGP 36-46
  - syslog
    - See system message logging
  - system clock
    - configuring
      - daylight saving time 5-13
      - manually 5-11
      - summer time 5-13
      - time zones 5-12
    - displaying the time and date 5-12
    - overview 5-2
    - See also NTP
  - system message logging
    - default configuration 29-3
    - defining error message severity levels 29-8
    - disabling 29-4
    - displaying the configuration 29-13
    - enabling 29-4
    - facility keywords, described 29-13
    - level keywords, described 29-9
    - limiting messages 29-10
    - message format 29-2

- overview [29-1](#)
- sequence numbers, enabling and disabling [29-8](#)
- setting the display destination device [29-5](#)
- synchronizing log messages [29-6](#)
- syslog facility [1-11](#)
- time stamps, enabling and disabling [29-7](#)
- UNIX syslog servers
  - configuring the daemon [29-12](#)
  - configuring the logging facility [29-12](#)
  - facilities supported [29-13](#)
- system MTU
  - and IEEE 802.1Q tunneling [14-5](#)
  - and IS-IS LSPs [36-67](#)
- system name
  - default configuration [5-15](#)
  - default setting [5-15](#)
  - manual configuration [5-15](#)
  - See also DNS
- system prompt, default setting [5-15](#)
- system resources, optimizing [7-1](#)
- system routing
  - IS-IS [36-62](#)
  - ISO IGRP [36-62](#)
- System-to-Intermediate System Protocol
  - See IS-IS

---

## T

- table maps
  - default actions [34-15](#)
  - described [34-15](#)
  - for QoS marking [34-21](#)
  - QoS
    - configuration guidelines [34-43](#)
    - configuring
      - QoS
        - configuring table maps [34-43](#)
  - QoS, configuring [34-43](#)
  - supported

- QoS
  - supported table maps [34-43](#)
  - types of [34-15](#)
- TACACS+
  - accounting, defined [8-11](#)
  - authentication, defined [8-11](#)
  - authorization, defined [8-11](#)
  - configuring
    - accounting [8-17](#)
    - authentication key [8-13](#)
    - authorization [8-16](#)
    - login authentication [8-14](#)
  - default configuration [8-13](#)
  - displaying the configuration [8-17](#)
  - identifying the server [8-13](#)
  - limiting the services to the user [8-16](#)
  - operation of [8-12](#)
  - overview [8-10](#)
  - support for [1-8](#)
  - tracking services accessed by user [8-17](#)
- tagged packets
  - IEEE 802.1Q [14-4](#)
  - Layer 2 protocol [14-20](#)
- tar files
  - creating [B-6](#)
  - displaying the contents of [B-6](#)
  - extracting [B-7](#)
  - image file format [B-24](#)
- TCL script, registering and defining with embedded event manager [31-7](#)
- TDR [1-11](#)
- Telnet
  - accessing management interfaces [2-9](#)
  - number of connections [1-4](#)
  - setting a password [8-6](#)
- templates
  - Ethernet OAM [43-40](#)
  - SDM [7-2](#)
- Terminal Access Controller Access Control System Plus

- See TACACS+
- terminal lines, setting a password [8-6](#)
- terminal loopback
  - defined [43-44](#)
- TFTP
  - configuration files
    - downloading [B-11](#)
    - preparing the server [B-10](#)
    - uploading [B-11](#)
  - configuration files in base directory [3-7](#)
  - configuring for autoconfiguration [3-7](#)
  - image files
    - deleting [B-27](#)
    - downloading [B-26](#)
    - preparing the server [B-25](#)
    - uploading [B-27](#)
  - limiting access by servers [30-17](#)
- TFTP server [1-3](#)
- threshold, traffic level [23-2](#)
- threshold monitoring, IP SLAs [41-6](#)
- time
  - See NTP and system clock
- Time Domain Reflector
  - See TDR
- time-range command [32-16](#)
- time ranges in ACLs [32-16](#)
- time stamps in log messages [29-7](#)
- time-to-live [36-15](#)
- time zones [5-12](#)
- TLVs
  - defined [25-1](#)
  - LLDP [25-2](#)
  - LLDP-MED [25-2](#)
- traceroute, Layer 2
  - and ARP [46-14](#)
  - and CDP [46-13](#)
  - broadcast traffic [46-13](#)
  - described [46-13](#)
  - IP addresses and subnets [46-14](#)
  - MAC addresses and VLANs [46-13](#)
  - multicast traffic [46-13](#)
  - multiple devices on a port [46-14](#)
  - unicast traffic [46-13](#)
  - usage guidelines [46-13](#)
- traceroute command [46-15](#)
  - See also IP traceroute
- tracked lists
  - configuring [42-3](#)
  - types [42-3](#)
- tracked objects
  - by Boolean expression [42-4](#)
  - by threshold percentage [42-6](#)
  - by threshold weight [42-5](#)
- tracking interface line-protocol state [42-2](#)
- tracking IP routing state [42-2](#)
- tracking objects [42-1](#)
- tracking process [42-1](#)
- track state, tracking IP SLAs [42-9](#)
- traffic
  - blocking flooded [23-7](#)
  - fragmented [32-5](#)
  - fragmented IPv6 [39-2](#)
  - unfragmented [32-5](#)
- traffic class, defined [34-3](#)
- traffic classification, typical values [34-10](#)
- traffic marking [34-21](#)
- traffic policies, elements in [34-3](#)
- traffic shaping
  - for QoS scheduling [34-26](#)
  - QoS traffic control [34-26](#)
- traffic suppression [23-1](#)
- trap-door mechanism [3-2](#)
- traps
  - configuring MAC address notification [5-22, 5-24, 5-26](#)
  - configuring managers [30-12](#)
  - defined [30-4](#)
  - enabling [5-22, 5-24, 5-26, 30-12](#)
  - notification types [30-13](#)

- overview [30-1, 30-4](#)
- troubleshooting
  - connectivity problems [46-9, 46-13, 46-14](#)
  - detecting unidirectional links [26-1](#)
  - displaying crash information [46-21](#)
  - PIMv1 and PIMv2 interoperability problems [44-34](#)
  - setting packet forwarding [46-19](#)
  - SFP security and identification [46-8](#)
  - show forward command [46-19](#)
  - with CiscoWorks [30-4](#)
  - with debug commands [46-17](#)
  - with ping [46-10](#)
  - with system message logging [29-1](#)
  - with traceroute [46-14](#)
- trunk failover
  - See link-state tracking
- trunking encapsulation [1-6](#)
- trunk ports
  - configuring [12-17](#)
  - defined [10-4, 12-5](#)
- trunks
  - allowed-VLAN list [12-18](#)
  - load sharing
    - setting STP path costs [12-21](#)
    - using STP port priorities [12-20](#)
  - native VLAN for untagged traffic [12-19](#)
  - parallel [12-21](#)
- tunneling
  - 802.1Q and QoS [34-78](#)
  - defined [14-1](#)
  - IEEE 802.1Q [14-2](#)
  - Layer 2 protocol [14-20](#)
- tunnel ports
  - defined [12-5](#)
  - described [10-4, 14-2](#)
  - IEEE 802.1Q, configuring [14-6](#)
  - incompatibilities with other features [14-6](#)
- twisted-pair Ethernet, detecting unidirectional links [26-1](#)

---

## U

### UDLD

- configuration guidelines [26-4](#)
- default configuration [26-4](#)
- disabling
  - globally [26-5](#)
  - on fiber-optic interfaces [26-5](#)
  - per interface [26-5](#)
- echoing detection mechanism [26-2](#)
- enabling
  - globally [26-5](#)
  - per interface [26-5](#)
- Layer 2 protocol tunneling [14-22](#)
- link-detection mechanism [26-1](#)
- neighbor database [26-2](#)
- overview [26-1](#)
- resetting an interface [26-6](#)
- status, displaying [26-6](#)
- support for [1-5](#)

### UDP

- datagrams [36-15](#)
- defined
- forwarding [36-14](#)

UDP, configuring [36-14](#)

UDP jitter, configuring [41-9](#)

UDP jitter operation, IP SLAs [41-8](#)

unauthorized ports with 802.1x [9-4](#)

unconditional priority policing
 

- configuration guidelines [34-73](#)
- priority with police [34-30](#)

### UN-ENI VLANs

- defined [12-5](#)

### UNI

- configuring [10-17](#)

- described [10-2](#)

- protocol control packets on [33-1](#)

unicast MAC address filtering
 

- and adding static addresses [5-29](#)



- and broadcast MAC addresses [5-28](#)
  - and CPU packets [5-28](#)
  - and multicast addresses [5-28](#)
  - and router MAC addresses [5-28](#)
  - configuration guidelines [5-28](#)
  - described [5-28](#)
  - unicast storm [23-1](#)
  - unicast storm control command [23-4](#)
  - unicast traffic, blocking [23-7](#)
  - UNI community VLAN [12-6](#)
  - UniDirectional Link Detection protocol
    - See UDL
  - UNI isolated VLAN [12-6](#)
  - UNIs, remote (CFM) [43-48](#)
  - UNI VLANs
    - and private VLANs [12-13](#)
    - and RSPAN VLANs [12-13](#)
    - configuration guidelines [12-12](#)
    - configuring [12-13](#)
  - UNIX syslog servers
    - daemon configuration [29-12](#)
    - facilities supported [29-13](#)
    - message logging configuration [29-12](#)
  - upgrading software images
    - See downloading
  - upgrading with CNS [4-14](#)
  - uploading
    - configuration files
      - preparing [B-10, B-13, B-16](#)
      - reasons for [B-8](#)
      - using FTP [B-14](#)
      - using RCP [B-18](#)
      - using TFTP [B-11](#)
    - image files
      - preparing [B-25, B-28, B-32](#)
      - reasons for [B-23](#)
      - using FTP [B-31](#)
      - using RCP [B-35](#)
      - using TFTP [B-27](#)
  - usage guidelines
    - Layer 2 traceroute [46-13](#)
  - User Datagram Protocol
    - See UDP
  - user EXEC mode [2-2](#)
  - username-based authentication [8-6](#)
  - user network interface
    - See UNI
- 
- V
- Virtual Private Network
    - See VPN
  - virtual router [40-1, 40-2](#)
  - vlan.dat file [12-3](#)
  - VLAN 1
    - disabling on a trunk port [12-18](#)
    - minimization [12-18](#)
  - VLAN ACLs
    - See VLAN maps
  - vlan-assignment response, VMPS [12-24](#)
  - VLAN blocking, REP [18-12](#)
  - VLAN configuration mode [2-2](#)
  - VLAN database
    - VLAN configuration saved in [12-10](#)
    - VLANs saved in [12-3](#)
  - vlan dot1q tag native command [14-5](#)
  - VLAN filtering and SPAN [27-6](#)
  - vlan global configuration command [12-7, 12-9](#)
  - VLAN ID
    - discovering [5-31](#)
    - service provider [14-8](#)
  - VLAN ID translation
    - See VLAN mapping
  - VLAN load balancing
    - configuration guidelines on flex links [19-8](#)
    - on flex links [19-2](#)
    - REP [18-4](#)
    - triggering [18-5](#)

- VLAN loopback
  - defined [43-44](#)
- VLAN Management Policy Server
  - See VMPS
- VLAN map entries, order of [32-29](#)
- VLAN mapping
  - 1-to-1 [14-8](#)
  - 1-to-1, configuring [14-10](#)
  - configuration guidelines [14-9](#)
  - configuring [14-10](#)
  - configuring on a trunk port [14-10](#)
  - default [14-9](#)
  - described [14-7](#)
  - selective QinQ [14-8](#)
  - selective Q-in-Q, configuring [14-12](#)
  - traditional QinQ [14-8](#)
  - traditional Q-in-Q, configuring [14-11](#)
  - types of [14-8](#)
- VLAN maps
  - applying [32-33](#)
  - common uses for [32-33](#)
  - configuration guidelines [32-29](#)
  - configuring [32-29](#)
  - creating [32-30](#)
  - defined [32-2, 32-5](#)
  - denying access to a server example [32-34](#)
  - denying and permitting packets [32-31](#)
  - displaying [32-39](#)
  - examples of ACLs and VLAN maps [32-31](#)
  - removing [32-33](#)
  - support for [1-8](#)
  - wiring closet configuration example [32-34](#)
  - with router ACLs [32-39](#)
- VLAN membership
  - confirming [12-27](#)
  - modes [12-5](#)
- VLAN Query Protocol
  - See VQP
- VLANs
  - adding [12-9](#)
  - aging dynamic addresses [15-9](#)
  - allowed on trunk [12-18](#)
  - and spanning-tree instances [12-3, 12-9](#)
  - configuration guidelines [12-8](#)
  - configuration guidelines, normal-range VLANs [12-8](#)
  - configuring [12-1](#)
  - connecting through SVIs [10-7](#)
  - customer numbering in service-provider networks [14-3](#)
  - default configuration [12-7](#)
  - described [10-2, 12-1](#)
  - displaying [12-14](#)
  - extended-range [12-1](#)
  - features [1-6](#)
  - illustrated [12-2](#)
  - internal [12-9](#)
  - limiting source traffic with RSPAN [27-21](#)
  - limiting source traffic with SPAN [27-15](#)
  - modifying [12-9](#)
  - multicast [22-15](#)
  - native, configuring [12-19](#)
  - normal-range [12-1, 12-3](#)
  - number supported [1-6](#)
  - parameters [12-3](#)
  - port membership modes [12-4](#)
  - static-access ports [12-11](#)
  - STP and 802.1Q trunks [15-11](#)
  - supported [12-3](#)
  - traffic between [12-2](#)
  - UNI [12-5](#)
  - UNI community [12-6](#)
  - UNI isolated [12-6](#)
- VLAN trunks [12-15](#)
- VMPS
  - administering [12-28](#)
  - configuration example [12-28](#)
  - configuration guidelines [12-25](#)
  - default configuration [12-25](#)

- description [12-23](#)
- dynamic port membership
  - described [12-24](#)
  - reconfirming [12-27](#)
  - troubleshooting [12-28](#)
- mapping MAC addresses to VLANs [12-23](#)
- monitoring [12-28](#)
- reconfirmation interval, changing [12-27](#)
- reconfirming membership [12-27](#)
- retry count, changing [12-27](#)

VPN

- configuring routing in [36-90](#)
- forwarding [36-84](#)
- in service provider networks [36-82](#)
- routes [1-18, 36-83](#)

VPN routing and forwarding table

- See VRF

VQP [1-6, 12-23](#)

VRF

- defining [36-84](#)
- tables [1-17, 36-82](#)

VRF-aware services

- ARP [36-87](#)
- configuring [36-86](#)
- ftp [36-89](#)
- HSRP [36-88](#)
- ping [36-87](#)
- RADIUS [36-89](#)
- SNMP [36-87](#)
- syslog [36-88](#)
- tftp [36-89](#)
- traceroute [36-89](#)

VTP Layer 2 protocol tunneling [14-20](#)

---

## W

- weighted tail drop
  - See WTD
- weight thresholds in tracked lists [42-5](#)

WTD

- configuration guidelines [34-76](#)
- configuring [34-75, 34-76](#)
- described [34-32](#)
- support for [1-9](#)

---

## Y

Y.1731

- default configuration [43-26](#)
- described [43-23](#)

ETH-AIS

- configuring [43-26](#)
- Ethernet Alarm Signal function (ETH-AIS) [43-24](#)

ETH-LCK [43-25](#)

- configuring [43-28](#)

ETH-RDI [43-24](#)

- multicast Ethernet loopback [43-30](#)
- multicast ETH-LB [43-25](#)
- terminology [43-23](#)

