



Cisco UCS B200 M6 Blade Server Installation and Service Note

First Published: 2021-05-07

Last Modified: 2024-04-13

Americas Headquarters

Cisco Systems, Inc.
170 West Tasman Drive
San Jose, CA 95134-1706
USA
<http://www.cisco.com>
Tel: 408 526-4000
800 553-NETS (6387)
Fax: 408 527-0883



CONTENTS

CHAPTER 1

Overview 1

- Cisco UCS B200 M6 Blade Server 1
- External Features Overview 2
 - LEDs 2
 - Buttons 5
 - Local Console Connection 5
- Front Mezzanine Storage Module Options 6
- Rear mLOM and Mezzanine Connectivity 6

CHAPTER 2

Installing a Blade Server 9

- Installing a Half-width Blade Server 9
- Server Configuration 10
- Powering Off a Blade Server Using the Power Button 11
- Removing a Blade Server 12
- Server Troubleshooting 12

CHAPTER 3

Servicing Blade Server Components 13

- Internal Components 13
- Removing and Installing the Top Cover 14
 - Removing the Top Cover 15
 - Installing the Top Cover 15
- Replacing the Rear Mezzanine Module 16
 - Removing the Rear Mezzanine Module 16
 - Installing the Rear Mezzanine Module 18
- Replacing CPUs and Heatsinks 19
 - Required Tools for CPU and Heatsink Replacement 20

Removing CPUs and Heatsinks	20
Installing CPUs and Heatsinks	26
Replacing Memory DIMMs	32
DIMM Slot Identifiers	32
Memory Population Guidelines	34
Removing DIMMs or DIMM Blanks	37
Installing DIMMs or DIMM Blanks	39
Memory Performance	41
Memory Mirroring and RAS	42
Replacing a Virtual Interface Card	42
Removing a Virtual Interface Card from the mLOM Slot	42
Installing Virtual Interface Card in the mLOM Slot	43
Replacing the Front Mezzanine Module	44
Removing the Front Mezzanine Module	46
Installing the Front Mezzanine Module	46
Replacing a Cisco Boot-Optimized M.2 RAID Controller	47
Removing a Cisco Boot-Optimized M.2 RAID Controller	47
Installing a Cisco Boot-Optimized M.2 RAID Controller	50
Replacing 7 mm Front Mezzanine Drives	52
Removing a 7 mm SATA SSD	53
Installing a 7 mm SATA SSD	53
Removing an NVMe Drive	54
Installing an NVMe Drive	55
Replacing a Front Mezzanine Drive Blank	56
Removing a Drive Blank	57
Installing a Drive Blank	58
Removing the Trusted Platform Module (TPM)	58
Recycling the PCB Assembly (PCBA)	59

APPENDIX A**Technical Specifications 67**

Physical Specifications for the Cisco UCS B200 M6	67
---------------------------------------------------	----

Full Cisco Trademarks with Hardware License

THE SPECIFICATIONS AND INFORMATION REGARDING THE PRODUCTS IN THIS MANUAL ARE SUBJECT TO CHANGE WITHOUT NOTICE. ALL STATEMENTS, INFORMATION, AND RECOMMENDATIONS IN THIS MANUAL ARE BELIEVED TO BE ACCURATE BUT ARE PRESENTED WITHOUT WARRANTY OF ANY KIND, EXPRESS OR IMPLIED. USERS MUST TAKE FULL RESPONSIBILITY FOR THEIR APPLICATION OF ANY PRODUCTS.

THE SOFTWARE LICENSE AND LIMITED WARRANTY FOR THE ACCOMPANYING PRODUCT ARE SET FORTH IN THE INFORMATION PACKET THAT SHIPPED WITH THE PRODUCT AND ARE INCORPORATED HEREIN BY THIS REFERENCE. IF YOU ARE UNABLE TO LOCATE THE SOFTWARE LICENSE OR LIMITED WARRANTY, CONTACT YOUR CISCO REPRESENTATIVE FOR A COPY.

The following information is for FCC compliance of Class A devices: This equipment has been tested and found to comply with the limits for a Class A digital device, pursuant to part 15 of the FCC rules. These limits are designed to provide reasonable protection against harmful interference when the equipment is operated in a commercial environment. This equipment generates, uses, and can radiate radio-frequency energy and, if not installed and used in accordance with the instruction manual, may cause harmful interference to radio communications. Operation of this equipment in a residential area is likely to cause harmful interference, in which case users will be required to correct the interference at their own expense.

The following information is for FCC compliance of Class B devices: This equipment has been tested and found to comply with the limits for a Class B digital device, pursuant to part 15 of the FCC rules. These limits are designed to provide reasonable protection against harmful interference in a residential installation. This equipment generates, uses and can radiate radio frequency energy and, if not installed and used in accordance with the instructions, may cause harmful interference to radio communications. However, there is no guarantee that interference will not occur in a particular installation. If the equipment causes interference to radio or television reception, which can be determined by turning the equipment off and on, users are encouraged to try to correct the interference by using one or more of the following measures:

- Reorient or relocate the receiving antenna.
- Increase the separation between the equipment and receiver.
- Connect the equipment into an outlet on a circuit different from that to which the receiver is connected.
- Consult the dealer or an experienced radio/TV technician for help.

Modifications to this product not authorized by Cisco could void the FCC approval and negate your authority to operate the product.

The Cisco implementation of TCP header compression is an adaptation of a program developed by the University of California, Berkeley (UCB) as part of UCB's public domain version of the UNIX operating system. All rights reserved. Copyright © 1981, Regents of the University of California.

NOTWITHSTANDING ANY OTHER WARRANTY HEREIN, ALL DOCUMENT FILES AND SOFTWARE OF THESE SUPPLIERS ARE PROVIDED "AS IS" WITH ALL FAULTS. CISCO AND THE ABOVE-NAMED SUPPLIERS DISCLAIM ALL WARRANTIES, EXPRESSED OR IMPLIED, INCLUDING, WITHOUT LIMITATION, THOSE OF MERCHANTABILITY, FITNESS FOR A PARTICULAR PURPOSE AND NONINFRINGEMENT OR ARISING FROM A COURSE OF DEALING, USAGE, OR TRADE PRACTICE.

IN NO EVENT SHALL CISCO OR ITS SUPPLIERS BE LIABLE FOR ANY INDIRECT, SPECIAL, CONSEQUENTIAL, OR INCIDENTAL DAMAGES, INCLUDING, WITHOUT LIMITATION, LOST PROFITS OR LOSS OR DAMAGE TO DATA ARISING OUT OF THE USE OR INABILITY TO USE

THIS MANUAL, EVEN IF CISCO OR ITS SUPPLIERS HAVE BEEN ADVISED OF THE POSSIBILITY OF SUCH DAMAGES.

Any Internet Protocol (IP) addresses and phone numbers used in this document are not intended to be actual addresses and phone numbers. Any examples, command display output, network topology diagrams, and other figures included in the document are shown for illustrative purposes only. Any use of actual IP addresses or phone numbers in illustrative content is unintentional and coincidental.

All printed copies and duplicate soft copies of this document are considered uncontrolled. See the current online version for the latest version.

Cisco has more than 200 offices worldwide. Addresses and phone numbers are listed on the Cisco website at www.cisco.com/go/offices.

Cisco and the Cisco logo are trademarks or registered trademarks of Cisco and/or its affiliates in the U.S. and other countries. To view a list of Cisco trademarks, go to this URL: <https://www.cisco.com/c/en/us/about/legal/trademarks.html>. Third-party trademarks mentioned are the property of their respective owners. The use of the word partner does not imply a partnership relationship between Cisco and any other company. (1721R)



Preface

- [Audience, on page vii](#)
- [Conventions, on page vii](#)
- [Related Cisco UCS Documentation, on page ix](#)
- [Obtaining Documentation and Submitting a Service Request, on page ix](#)

Audience

To use this installation guide, you must be familiar with electronic circuitry and wiring practices and preferably be an electronic or electromechanical technician who has experience with electronic and electromechanical equipment.

Only trained and qualified service personnel (as defined in IEC 60950-1 and AS/NZS60950) should install, replace, or service the equipment. Install the system in accordance with the U.S. National Electric Code if you are in the United States.

Conventions

Text Type	Indication
GUI elements	GUI elements such as tab titles, area names, and field labels appear in this font . Main titles such as window, dialog box, and wizard titles appear in this font .
Document titles	Document titles appear in <i>this font</i> .
TUI elements	In a Text-based User Interface, text the system displays appears in <i>this font</i> .
System output	Terminal sessions and information that the system displays appear in <i>this font</i> .
CLI commands	CLI command keywords appear in this font . Variables in a CLI command appear in <i>this font</i> .
[]	Elements in square brackets are optional.

Text Type	Indication
{x y z}	Required alternative keywords are grouped in braces and separated by vertical bars.
[x y z]	Optional alternative keywords are grouped in brackets and separated by vertical bars.
string	A nonquoted set of characters. Do not use quotation marks around the string or the string will include the quotation marks.
<>	Nonprinting characters such as passwords are in angle brackets.
[]	Default responses to system prompts are in square brackets.
!, #	An exclamation point (!) or a pound sign (#) at the beginning of a line of code indicates a comment line.



Note Means *reader take note*. Notes contain helpful suggestions or references to material not covered in the document.



Tip Means *the following information will help you solve a problem*. The tips information might not be troubleshooting or even an action, but could be useful information, similar to a Timesaver.



Timesaver Means *the described action saves time*. You can save time by performing the action described in the paragraph.



Caution Means *reader be careful*. In this situation, you might perform an action that could result in equipment damage or loss of data.



Warning IMPORTANT SAFETY INSTRUCTIONS

This warning symbol means danger. You are in a situation that could cause bodily injury. Before you work on any equipment, be aware of the hazards involved with electrical circuitry and be familiar with standard practices for preventing accidents. Use the statement number provided at the end of each warning to locate its translation in the translated safety warnings that accompanied this device.

SAVE THESE INSTRUCTIONS

Related Cisco UCS Documentation

Documentation Roadmaps

For a complete list of all B-Series documentation, see the *Cisco UCS B-Series Servers Documentation Roadmap* available at the following URL: https://www.cisco.com/c/en/us/td/docs/unified_computing/ucs/overview/guide/UCS_roadmap.html

For a complete list of all C-Series documentation, see the *Cisco UCS C-Series Servers Documentation Roadmap* available at the following URL: https://www.cisco.com/c/en/us/td/docs/unified_computing/ucs/overview/guide/ucs_rack_roadmap.html.

For information on supported firmware versions and supported UCS Manager versions for the rack servers that are integrated with the UCS Manager for management, refer to [Release Bundle Contents for Cisco UCS Software](#).

Obtaining Documentation and Submitting a Service Request

For information on obtaining documentation, submitting a service request, and gathering additional information, see the monthly [What's New in Cisco Product Documentation](#), which also lists all new and revised Cisco technical documentation.

Subscribe to the *What's New in Cisco Product Documentation* as a Really Simple Syndication (RSS) feed and set content to be delivered directly to your desktop using a reader application. The RSS feeds are a free service and Cisco currently supports RSS version 2.0.

Follow [Cisco UCS Docs on Twitter](#) to receive document update notifications.



CHAPTER 1

Overview

This chapter contains the following sections:

- [Cisco UCS B200 M6 Blade Server, on page 1](#)
- [External Features Overview, on page 2](#)
- [Front Mezzanine Storage Module Options, on page 6](#)
- [Rear mLOM and Mezzanine Connectivity, on page 6](#)

Cisco UCS B200 M6 Blade Server

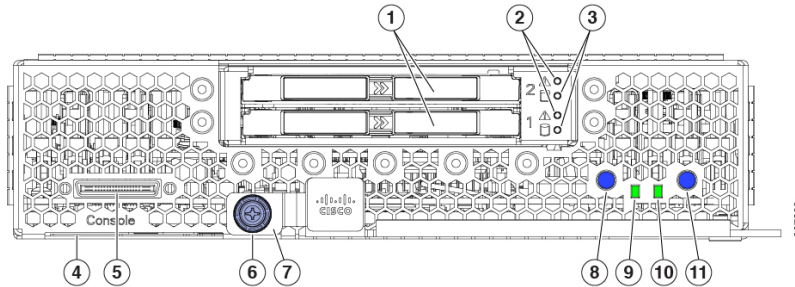
The Cisco UCS B200 M6 blade server is a half-width blade server that is designed for the Cisco UCS 5108 Blade Server Chassis. You can install up to eight UCS B200 M6 blade servers in a UCS 5108 chassis, mixing with other models of Cisco UCS blade servers in the chassis if desired. The server supports the following features:

- Two CPU sockets for Third Generation Intel Xeon Scalable family of CPUs support one or two CPU blade configurations.
- Up to 32 DDR4 DIMMs (16 sockets/8 channels per CPU).
- Support for Intel Optane persistent memory 200 series DIMMs.
- One front mezzanine storage module with the following options:
 - Cisco FlexStorage module supporting two 7 mm SATA SSDs. A 12G SAS controller chip is included on the module to provide hardware RAID for the two drives.
 - Cisco FlexStorage module supporting two 7 mm NVMe SSDs.
 - Cisco FlexStorage module supporting two mini-storage modules, module "1" and module "2." Each mini-storage module is a SATA M.2 dual-SSD mini-storage module that includes an on-board SATA RAID controller chip. Each RAID controller chip manages two SATA M.2 dual SSD modules.
- Rear mLOM, which is required for blade discovery. This mLOM VIC card (for example, a Cisco VIC 1440) can provide per fabric connectivity of 20G or 40G when used with the pass-through Cisco UCS Port Expander Card in the rear mezzanine slot.
- Optionally, the rear mezzanine slot can have a Cisco VIC Card (for example, a Cisco VIC 1480) or the pass-through Cisco UCS Port Expander Card.



Note Component support is subject to chassis power configuration restrictions.

Figure 1: Cisco UCS B200 M6 Blade Server Front Panel



1	Cisco FlexStorage Module, showing drive bays 1 and 2	2	Disk Drive Status LEDs for each drive.
3	Disk Drive activity LED for each drive	4	Asset pull tag
5	Local console connector	6	Blade ejector thumbscrew
7	Blade ejector handle	8	Blade power button and LED
9	Network link status LED	10	Blade health LED
11	Locator button and LED		



Note The asset pull tag is a blank plastic tag that pulls out from the front panel. You can add your own asset tracking label to the asset pull tag and not interfere with the intended air flow of the server.

External Features Overview

The features of the blade server that are externally accessible are described in this section.

LEDs

Server LEDs indicate whether the blade server is in active or standby mode, the status of the network link, the overall health of the blade server, and whether the server is set to give a blinking blue locator light from the locator button.

The removable drives also have LEDs indicating hard disk access activity and disk health.

You might find it helpful to refer back to the blade image in [Cisco UCS B200 M6 Blade Server, on page 1](#) for the locations of these LEDs on the module faceplate.

Table 1: Blade Server LEDs

LED	Color	Description
Blade Power Button/LED (8 in the faceplate illustration)	Off	Power off.
	Green	Main power state. Power is supplied to all server components and the server is operating normally.
	Amber	Standby power state. Power is supplied only to the service processor so that the server can still be managed. Note The front-panel power button is disabled by default. It can be re-enabled through the UCS management software interface. After it's enabled, if you press and release the front-panel power button, the server performs an orderly shutdown of the 12 V main power and goes to standby power state. You cannot shut down standby power from the front-panel power button. For information about completely powering off the server from the software interface, see the configuration guide for UCS Manager or UCS Intersight Managed Mode.
Network Link Status (9 in the faceplate image)	Off	None of the network links are up.
	Green	At least one network link is up.

LED	Color	Description
Blade Health (10 in the faceplate image)	Off	Power off.
	Green	Normal operation.
	Amber	Minor error, degraded condition. Examples of degraded condition: <ul style="list-style-type: none"> • Power supply redundancy lost • IO Module redundancy lost • Mismatched processors in the server (if the server can even boot) • Faulty processor in a dual processor server (if the server can even boot) • Memory RAS failure (if memory is configured for RAS). • Failed drive in RAID configuration.
	Blinking Amber	Critical error. Examples of critical condition: <ul style="list-style-type: none"> • Boot failure • Fatal processor or bus errors detected • Fatal uncorrectable memory error detected • Lost both drives • Excessive thermal conditions
Locator button/LED (11 in the faceplate image)	Off	Blinking is not enabled.
	Blinking blue 1 Hz	Blinking to locate a selected blade—If the LED is not blinking, the blade is not selected. You can control the blinking by using the UCS management software interface or the blue locator button/LED.
Disk Drive Activity (3 in the faceplate image)	Off	Inactive.
	Solid Green	Drive is present
	Blinking Green	Outstanding I/O activity for disk drive.

LED	Color	Description
Disk Drive Fault (2 in the faceplate image)	Off	No fault detected.
	Solid Amber	Fault detected or wrong type of drive detected.
	Blinking Amber 4 hz	A drive rebuild is in actively in progress.
	Blinking Amber 1 hz	Locator LED that provides a visual identifier the drive

Buttons

The front panel has the following buttons:

- Power button/LED: The front-panel power button is disabled by default. It can be re-enabled through the UCS management software interface or by pressing the button.
 - UCS management software interface: After it's enabled, the power button allows you to manually take a server temporarily out of service but leave it in a standby state where it can be restarted quickly. If the desired power state for a service profile associated with a blade server is set to "off," using the power button or UCS management software interface to reset the server will cause the desired power state of the server to become out of sync with the actual power state and the server may unexpectedly shut down at a later time.



Note To safely reboot a server from a power-down state, use the appropriate option to boot the server in the UCS management software interface.

- Pressing the button: Depending on the server state, pressing the Power button powers the server up or powers it down:
 - If the server is powered down, momentarily press and release the button to power up the blade.
 - If the server is powered up, momentarily press and release the button to cause an orderly power down of the blade, or press and hold the button for more than 7 seconds to shut down the server immediately.
- Locator button: You can activate the Locator beacon LED for an individual server by pressing the locator button/LED. This button toggles the Locator LED on or off depending on its current status.

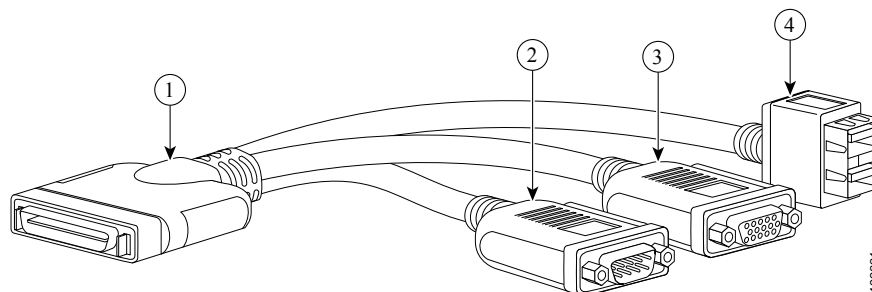
Local Console Connection

The local console connector allows a direct connection to a blade server to allow operating system installation and other management tasks to be done directly rather than remotely. The port autonegotiates to a maximum of 115200 baud on the connection.

The port uses the KVM dongle cable that provides a connection into a Cisco UCS blade server; it has a DB9 serial connector, a VGA connector for a monitor, and dual USB ports for a keyboard and mouse. With this

cable, you can create a direct connection to the operating system and the BIOS running on a blade server. A KVM cable ships standard with each blade chassis accessory kit.

Figure 2: KVM Cable for Blade Servers



1	Connector to blade server local console connection	2	DB9 serial connector
3	DB15 connector for a monitor	4	2-port Type A USB 2.0 connector for a mouse and keyboard

Front Mezzanine Storage Module Options

In the front mezzanine slot, the server can use one of the following front storage module options:

- Cisco FlexStorage module supporting two 7 mm SATA SSDs. A 12G SAS controller chip is included on the module to provide hardware RAID 0/1 for the two drives. The controller interfaces with the blade through PCIe 3.0.
- Cisco FlexStorage module supporting two hot pluggable 7 mm NVMe SSDs which interface with the server over PCIe at 2, 5, and 8 Gbps.
- Cisco FlexStorage module supporting two mini-storage modules, which are not hot pluggable:
 - Mini-storage module "1" can be a SATA M.2 dual-SSD version that includes an on-board SATA RAID controller chip that manages the 2 M.2 dual SATA SSD drives. This mini-storage module option interfaces with the server over PCI 3.0.
 - Mini-storage module "2" can be only a SATA M.2 dual-SSD version that includes an on-board SATA RAID controller chip that manages the 2 M.2 dual SATA SSD drives. This mini-storage module option interfaces with the server over PCI 3.0.

Rear mLOM and Mezzanine Connectivity

There are multiple, configurable options for rear connectivity using the mLOM and mezzanine card options.

- mLOM card: UCSB-MLOM-40G-04 or UCSB-ML-V5Q10G
- mLOM card + pass-through mezzanine card: UCSB-MLOM-40G-04 + UCSB-MLOM-PT-01 or UCSB-ML-V5Q10G + UCSB-MLOM-PT-01

- mLOM card + active mezzanine card: UCSB-MLOM-40G-04 + UCSB-VIC-M84-4P



CHAPTER 2

Installing a Blade Server

This chapter contains the following sections:

- [Installing a Half-width Blade Server, on page 9](#)
- [Server Configuration, on page 10](#)
- [Powering Off a Blade Server Using the Power Button, on page 11](#)
- [Removing a Blade Server, on page 12](#)
- [Server Troubleshooting, on page 12](#)

Installing a Half-width Blade Server

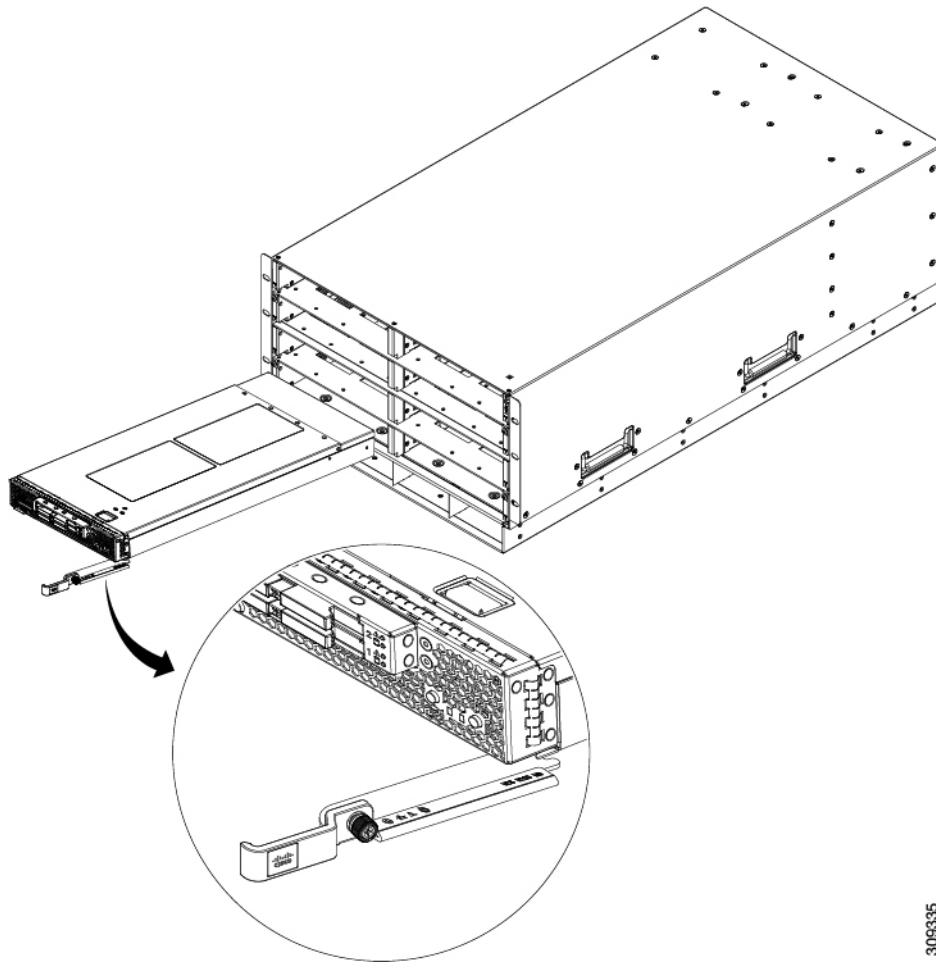
Before you begin

The blade server must have its cover installed before installing the server into the chassis to ensure adequate airflow.

Procedure

- Step 1** Grasp the front of the blade server and place your other hand under the blade to support it.

Figure 3: Positioning a Blade Server in the Chassis



309535

- Step 2** Open the ejector lever in the front of the blade server.
- Step 3** Gently slide the blade into the opening until you cannot push it any farther.
- Step 4** Press the ejector so that it catches the edge of the chassis and presses the blade server all the way in.
- Step 5** Tighten the captive screw on the front of the blade to no more than 3 in-lbs. Tightening only with bare fingers is unlikely to lead to stripped or damaged captive screws.

Assuming the server chassis is already discovered by UCS Manager, the blade will be auto discovered whenever it is inserted.

Server Configuration

Cisco UCS blade servers can be configured and managed using the following UCS management software interfaces.

Cisco Intersight Managed Mode

Cisco UCS blade servers can be configured and managed using the Cisco Intersight management platform in Intersight Managed Mode (Cisco Intersight Managed Mode). For details, see the *Cisco Intersight Managed Mode Configuration Guide*, which is available at the following URL: https://www.cisco.com/c/en/us/td/docs/unified_computing/Intersight/b_Intersight_Managed_Mode_Configuration_Guide.html

Cisco UCS Manager

Cisco UCS blade servers can be configured and managed using Cisco UCS Manager. For details, see the *Configuration Guide* for the version of Cisco UCS Manager that you are using. The configuration guides are available at the following URL:

http://www.cisco.com/en/US/products/ps10281/products_installation_and_configuration_guides_list.html

Powering Off a Blade Server Using the Power Button



Note The front panel power button is disabled by default to ensure that servers are decommissioned through the UCS management software interface before shutdown. If you prefer to shut down the server locally with the button, you can enable front power-button control in the UCS management software interface.



Tip You can also shut down servers remotely using the UCS management software interface. For details, see the configuration guide for the version the UCS management software interface that you are using. The configuration guides are available at the URLs documented in [Server Configuration, on page 10](#).

Procedure

- Step 1** If you are local to the server, check the color of the **Power Status** LED for each server in the chassis that you want to power off.
- Green indicates that the server is running and must be shut down before it can be safely powered off. Go to Step 2.
 - Amber indicates that the server is already in standby mode and can be safely powered off. Go to Step 3.
- Step 2** If you previously enabled front power-button control through the UCS management software interface, press and release the **Power** button, then wait until the **Power Status** LED changes to amber.
- The operating system performs a graceful shutdown, and the server goes to standby mode.
- Caution** To avoid data loss or damage to your operating system, you should always invoke a graceful shutdown of the operating system.
- Step 3** (Optional) Although not recommended, if you are shutting down all blade servers in a chassis, you can disconnect the power cords from the chassis to completely power off the servers.

Caution To avoid data loss or damage to your operating system, you should always invoke a graceful shutdown of the operating system.

The blade servers will power down. You can now perform additional tasks with the blades as needed, for example, replacing a blade.

Removing a Blade Server

Using the UCS management software interface, decommission the server before physically removing the server. To remove a blade server from the chassis, follow these steps:

Procedure

- Step 1** Loosen the captive screw on the front of the blade.
 - Step 2** Remove the blade from the chassis by pulling the ejector lever on the blade until it unseats the blade server.
 - Step 3** Slide the blade partially out of the chassis and place your other hand under the blade to support its weight.
 - Step 4** Once completely removed, place the blade on an antistatic mat or antistatic foam if you are not immediately reinstalling it into another slot.
 - Step 5** If the slot is to remain empty, install a blank faceplate (N20-CBLKB1) to maintain proper thermal temperature and keep dust out of the chassis.
-

Server Troubleshooting

For general troubleshooting information, see the [Cisco UCS Manager Troubleshooting Reference Guide](#).



CHAPTER 3

Servicing Blade Server Components

This chapter contains the following topics:

- [Internal Components, on page 13](#)
- [Removing and Installing the Top Cover, on page 14](#)
- [Replacing the Rear Mezzanine Module, on page 16](#)
- [Replacing CPUs and Heatsinks, on page 19](#)
- [Replacing Memory DIMMs, on page 32](#)
- [Replacing a Virtual Interface Card, on page 42](#)
- [Replacing the Front Mezzanine Module, on page 44](#)
- [Replacing a Cisco Boot-Optimized M.2 RAID Controller, on page 47](#)
- [Replacing 7 mm Front Mezzanine Drives, on page 52](#)
- [Replacing a Front Mezzanine Drive Blank, on page 56](#)
- [Removing the Trusted Platform Module \(TPM\), on page 58](#)
- [Recycling the PCB Assembly \(PCBA\), on page 59](#)

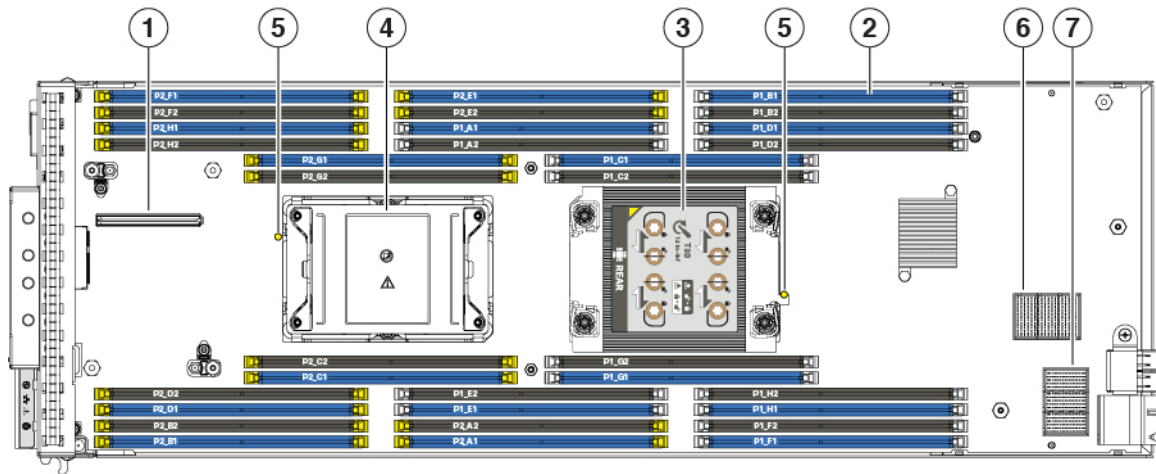
Internal Components

The following figure shows the internal components of the Cisco UCS B200 M6 blade server. The blade also has a pair of plastic memory baffles (not shown) that cover the middle DIMM slots.

Figure 4: Inside View of Cisco UCS B200 M6 Blade Server



Note The CPUs on the Cisco UCS B200 M6 blade server are in opposite locations compared to previous generations. On the UCS B200 M6 blade server, CPU 1 is at the rear of the blade (the side nearest the internal connectors) and CPU 2 is at the front of the blade (the side nearest the faceplate and external ports and connectors).



1	Front mezzanine connector	2	DIMM slots DIMMs are secured by white or yellow latches. White latches indicate the memory is connected to CPU 1. Yellow latches indicate the memory is connected to CPU 2.
3	CPU socket 1 (Populated) CPU 1 connects to DIMMs with a white DIMM latch. This CPU socket must always be populated. If your server will run with only one CPU, the CPU must be installed in this socket.	4	CPU socket 2 (Unpopulated) CPU 2 connects to DIMMs with a yellow DIMM latch. This CPU socket is populated in a normal, dual-CPU deployment. If your server will run with only one CPU, the CPU must be installed CPU socket 1.
5	CPU heatsink install guide pins	6	mLOM connector
7	Rear mezzanine connector		

Removing and Installing the Top Cover

The server top cover provides protection and proper airflow for the internal components. The top cover is secured by a release button on the top of the blade.

To remove and replace the server top cover, follow this procedure:

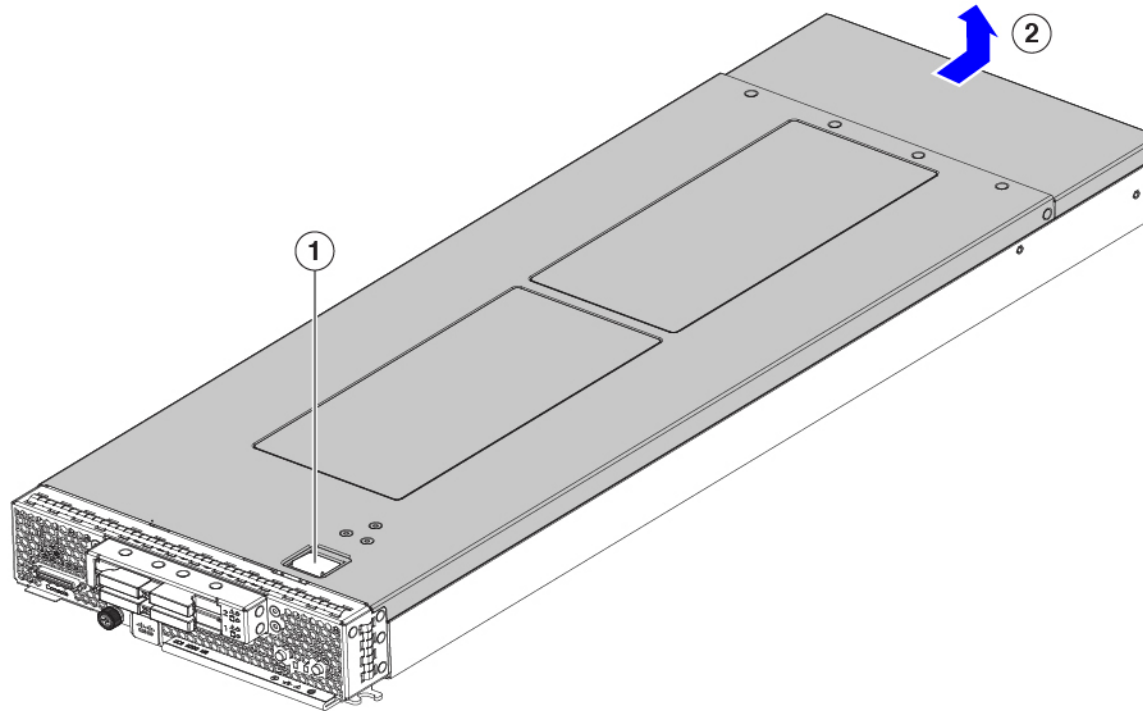
- [Removing the Top Cover, on page 15](#)
- [Installing the Top Cover, on page 15](#)

Removing the Top Cover

To remove the server top cover, the blade must be removed from the chassis.

Procedure

-
- Step 1** Press and hold the release button down.
- Step 2** While holding the release button down, lift the rear of the cover up, and slide it off of the blade.



What to do next

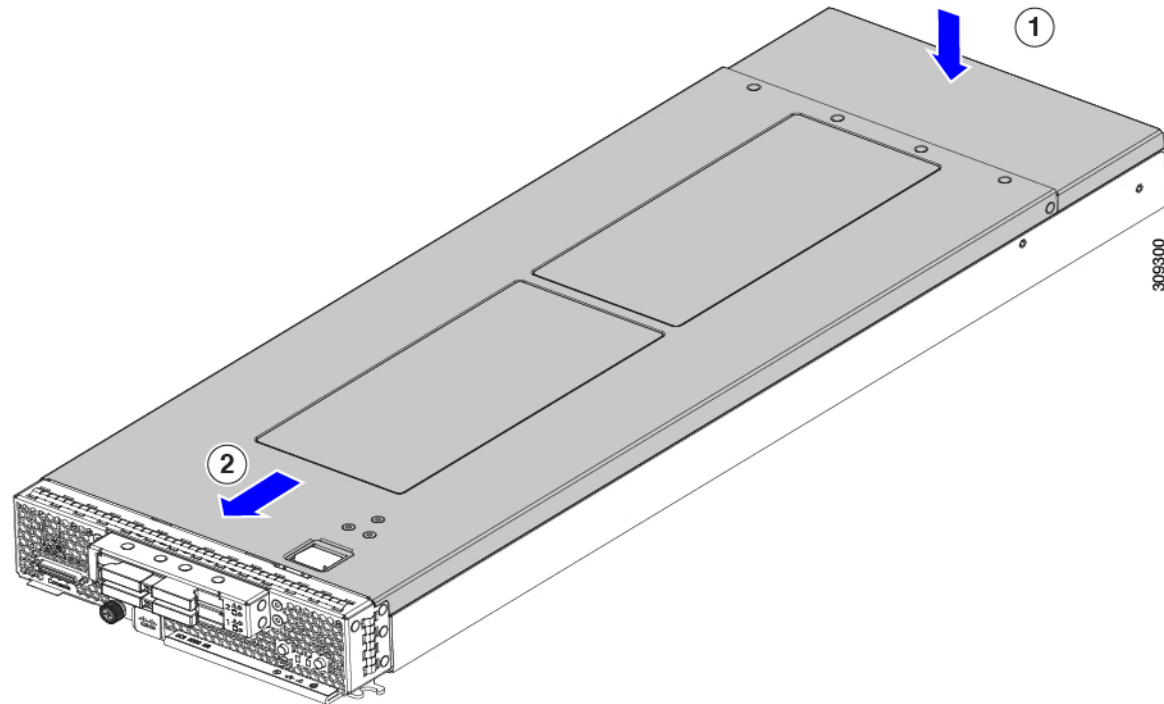
Reinstall the top cover. See [Installing the Top Cover](#), on page 15.

Installing the Top Cover

Use this procedure to install the server top cover.

Procedure

-
- Step 1** Align the pins on the rear of the server with the channel in the top cover.
- Step 2** Seat the cover on the sheet metal.
- Step 3** Holding the front edge of the server down, slide it forward until it locks into place.



Replacing the Rear Mezzanine Module

To replace the rear mezzanine module, see the following:

- [Installing the Rear Mezzanine Module, on page 18](#)
- [Removing the Rear Mezzanine Module, on page 16](#)

Removing the Rear Mezzanine Module

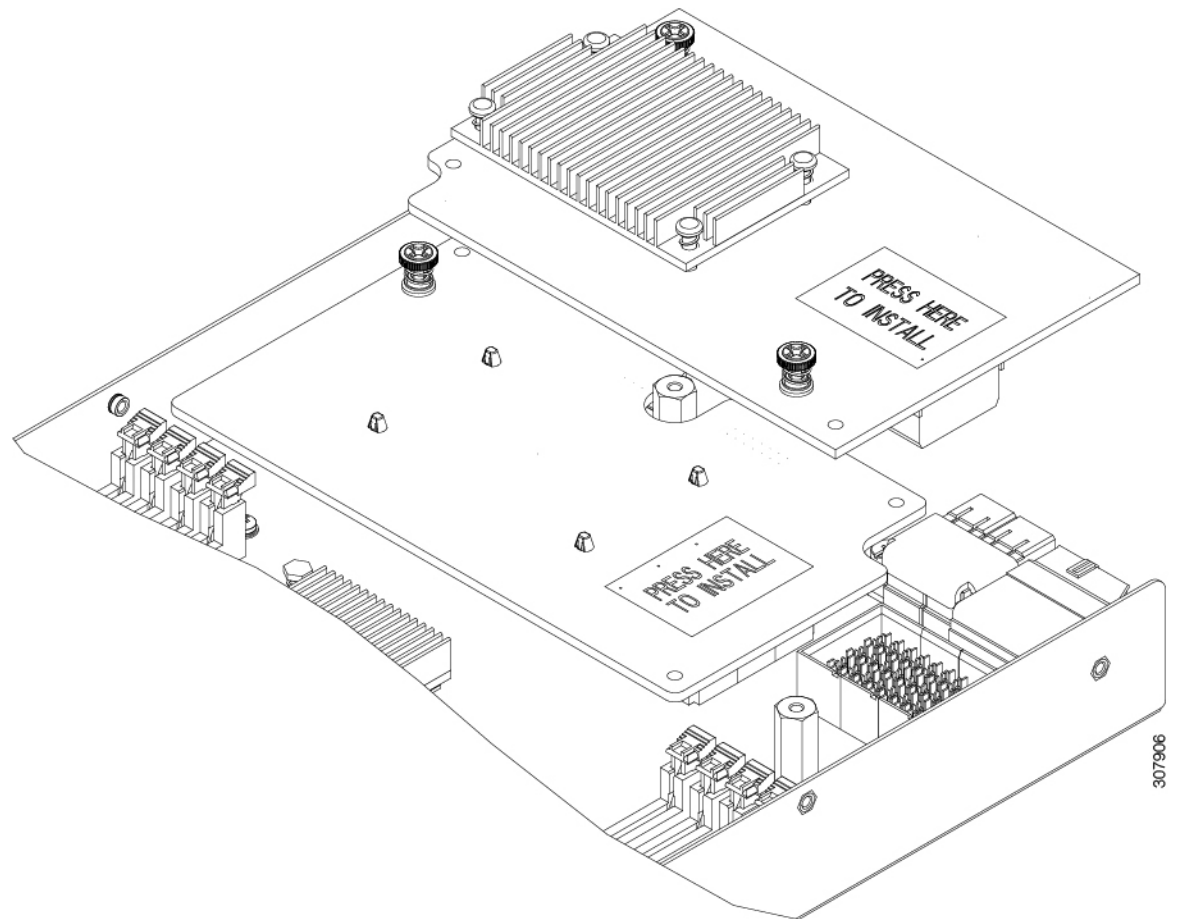
Use this task to remove the rear mezzanine module.

If you are removing the virtual interface card (VIC) in the mLOM slot, you must first remove the rear mezzanine module.

Procedure

- Step 1** Using a #2 Phillips screwdriver, loosen the two rear mezzanine module captive screws.
- Step 2** Grasp the rear mezzanine module where “PRESS HERE TO INSTALL” is stamped onto the module.
- Step 3** Lift the module to disconnect it from its motherboard connector.

Figure 5: Removing the Rear Mezzanine Module



Note While removing the rear mezzanine module from the motherboard, you might find it helpful to gently rock the rear mezzanine module along the length of the motherboard connector until it loosens.

What to do next

If you will be removing the virtual interface card (VIC), see [Removing a Virtual Interface Card from the mLOM Slot, on page 42](#).

Installing the Rear Mezzanine Module

The rear mezzanine module slot is located above the mLOM module slot. Depending on your server, the mLOM module slot could host a virtual interface card (VIC). This procedure assumes that a VIC is installed.

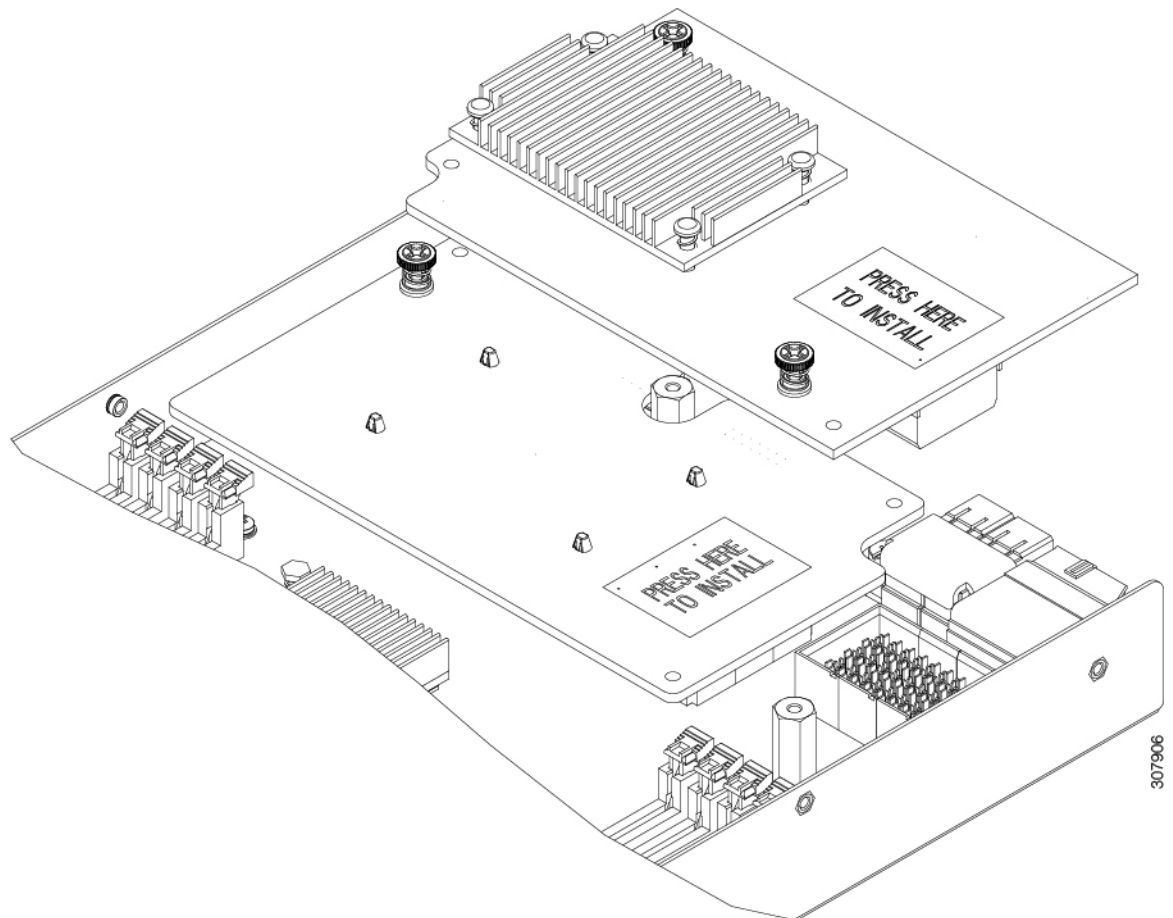
If your server has a VIC, make sure that it is installed before installing the rear mezzanine module. See [Installing Virtual Interface Card in the mLOM Slot, on page 43](#).

Use this procedure to install a rear mezzanine module.

Procedure

- Step 1** Position the rear mezzanine module above the motherboard connector and align the two rear mezzanine module captive screws with the standoff posts on the motherboard.
- Step 2** Firmly press the rear mezzanine module into the motherboard connector where **PRESS HERE TO INSTALL** is stamped on the module.
- Step 3** Using a #2 Phillip screwdriver, tighten the two rear mezzanine module captive screws.

Figure 6: Installing the Rear Mezzanine Module



Replacing CPUs and Heatsinks

When the blade server is shipped from the factory, all the components are installed. The following illustration shows the various parts of the assembled and installed CPU.

Figure 7: Overview of CPU Assembly

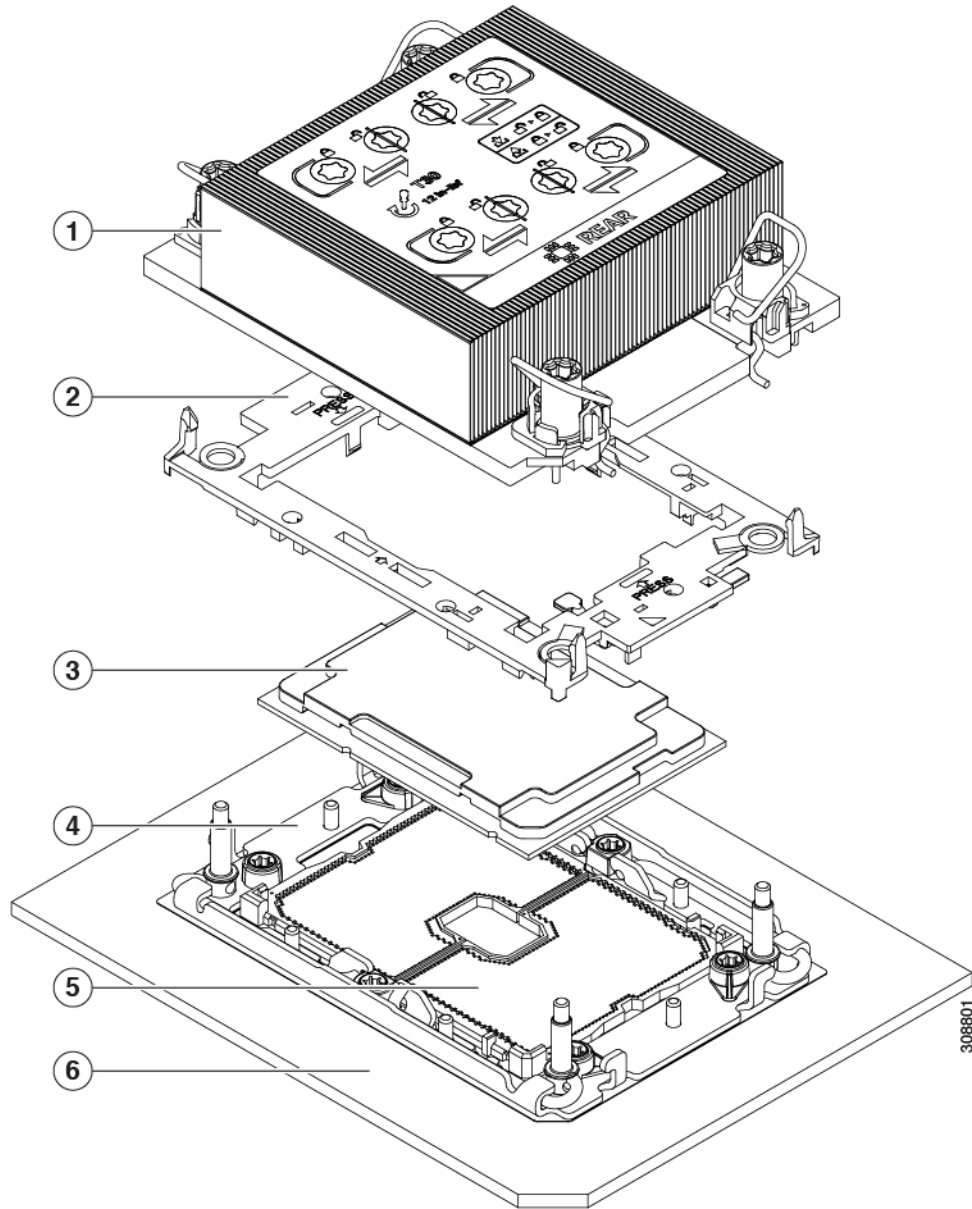


Table 2: CPU Assembly Parts

1	Heatsink	2	CPU carrier
---	----------	---	-------------

3	CPU	4	Bolster Plate on server motherboard
5	CPU Socket	6	Blade server motherboard

Any replacement CPUs are shipped in a separate shipping package which contains the CPU, CPU carrier, and a fixture.

To replace a CPU, you will remove the CPU from the fixture, then install the CPU into the CPU socket on the server motherboard. See the following topics:

- [Required Tools for CPU and Heatsink Replacement, on page 20](#)
- [Removing CPUs and Heatsinks, on page 20](#)
- [Installing CPUs and Heatsinks, on page 26](#)

Required Tools for CPU and Heatsink Replacement

The following tools are required for replacing server CPUs and heatsinks:

- ESD-safe workspace, such as a rubberized mat, where you can safely put components that are out of the server.
- ESD gloves
- T30 Torx driver
- M6 CPU Fixture (UCS-CPUATI-3=)
- Cleaning Kit (UCSX-HSCK=)
- Thermal Grease (UCS-CPU-TIM=)



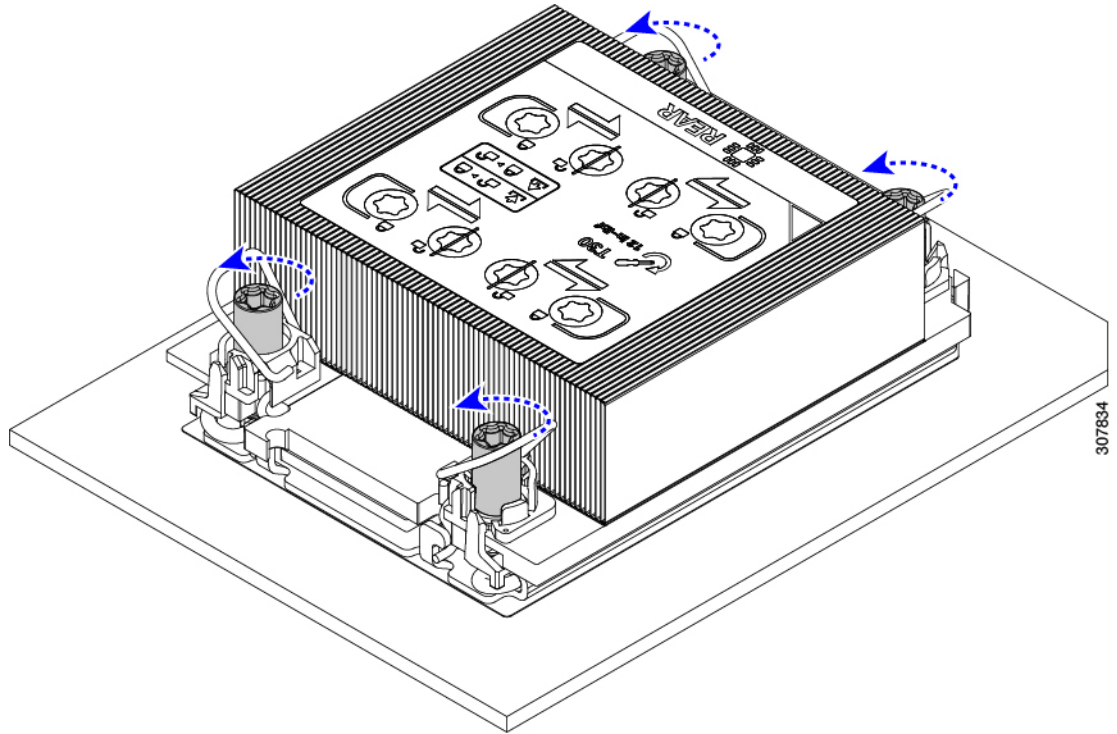
- Note** Blades can ship with either a dual CPU or single CPU configuration. If your blade is a single CPU config, the unpopulated CPU socket will ship with a dust cover.
- If your blade ships with a dual CPU config, no CPU dust cover is shipped.
 - If you have a dual CPU config, and you are removing one CPU to run as a single-CPU blade, you will need to install a CPU dust cover on the unpopulated CPU socket. In this situation, you will need to order the CPU dust cover. Contact Cisco and order UCS-CPU-M6-CVR=.

Removing CPUs and Heatsinks

Use the following procedure to remove an installed CPU and heatsink from the blade server. With this procedure, you will remove the CPU from the motherboard, disassemble individual components, then place the CPU and heatsink into the fixture that came with the CPU.

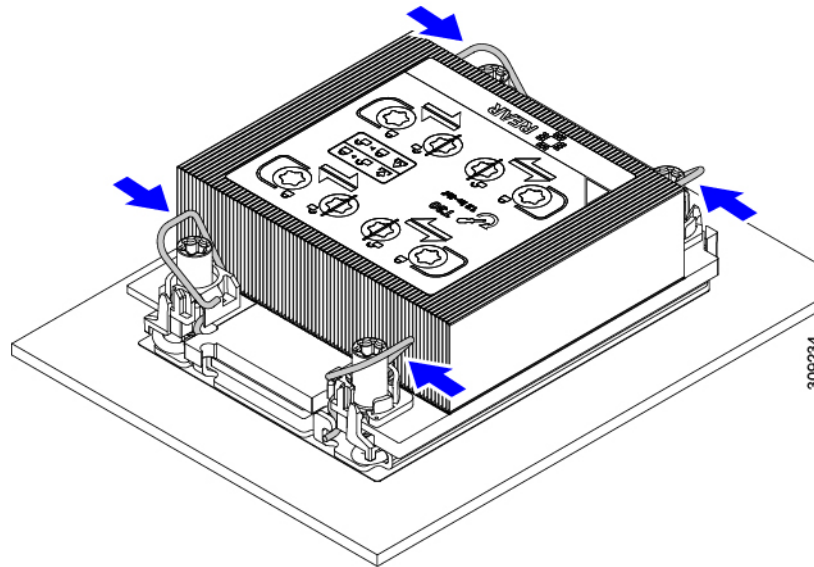
Procedure

- Step 1** Detach the CPU and heatsink (the CPU assembly) from the CPU socket.
- a) Using the T30 Torx driver, loosen all the securing nuts.



- b) Push the rotating wires towards each other to move them to the unlocked position.

Caution Make sure that the rotating wires are as far inward as possible. When fully unlocked, the bottom of the rotating wire disengages and allows the removal of the CPU assembly. If the rotating wires are not fully in the unlocked position, you can feel resistance when attempting to remove the CPU assembly.



Step 2 Remove the CPU assembly from the motherboard.

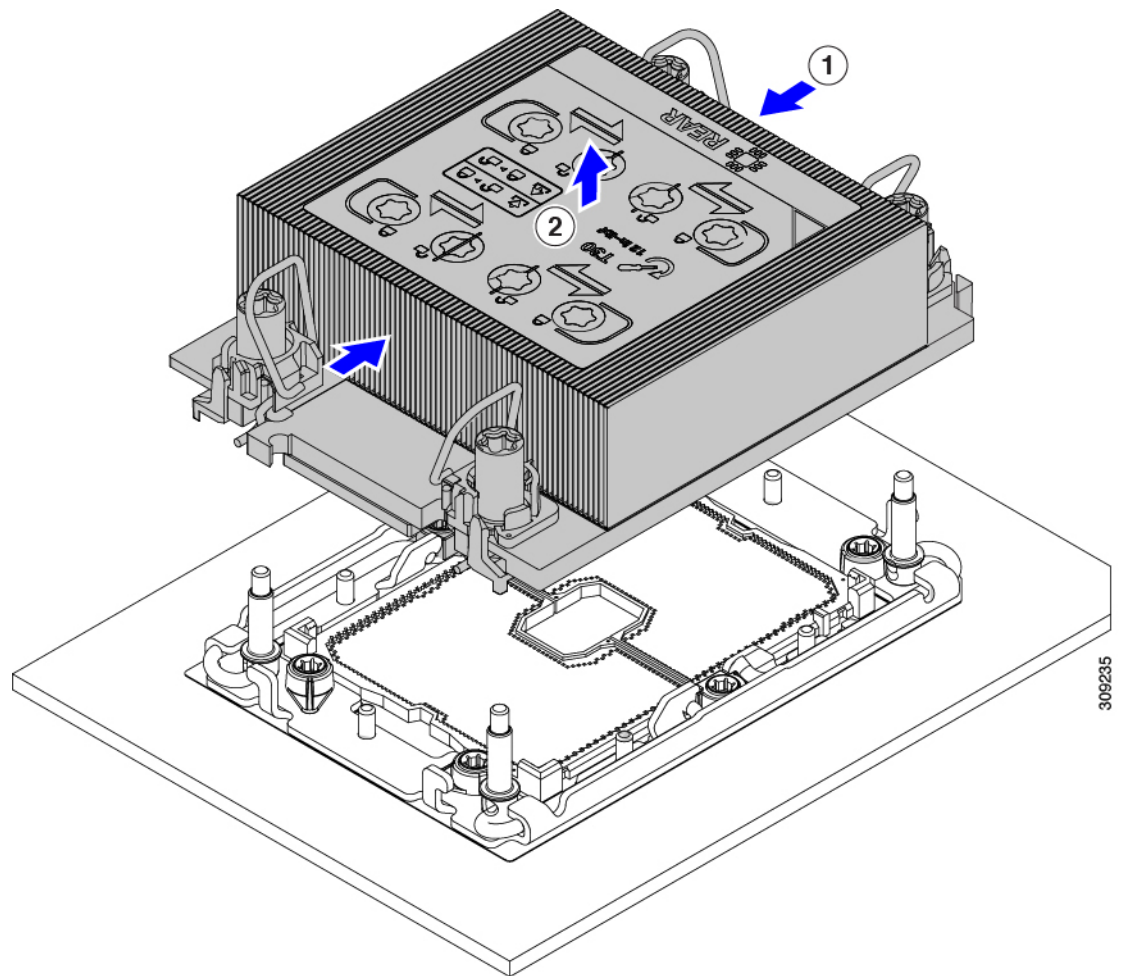
- a) Grasp the heatsink along the edge of the fins and lift the CPU assembly off of the motherboard.

Caution While lifting the CPU assembly, make sure not to bend the heatsink fins. Also, if you feel any resistance when lifting the CPU assembly, verify that the rotating wires are completely in the unlocked position.

- b) Put the CPU assembly on a rubberized mat or other ESD-safe work surface.

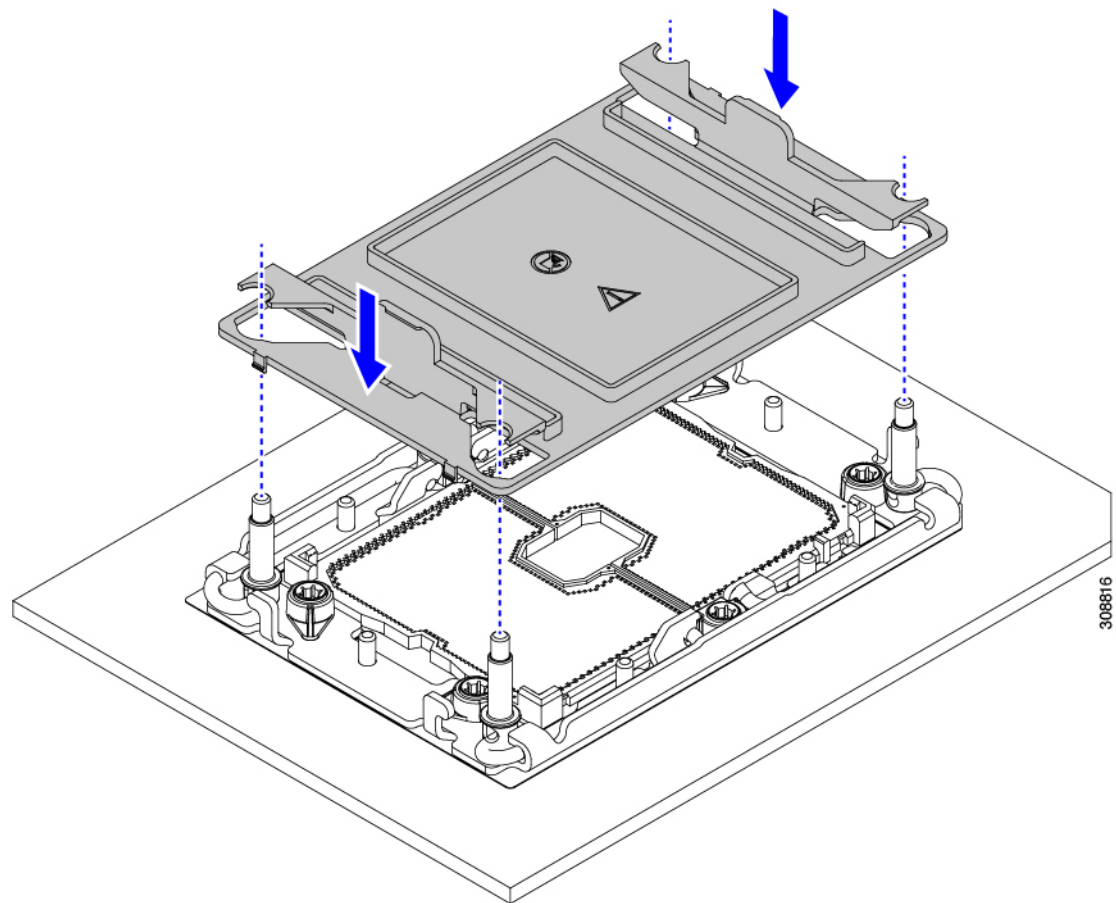
When placing the CPU on the work surface, the heatsink label should be facing up. Do not rotate the CPU assembly upside down.

- c) Ensure that the heatsink sits level on the work surface.



- Step 3** Attach a CPU dust cover (UCS-CPU-M6-CVR=) to the CPU socket.
- Align the posts on the CPU bolstering plate with the cutouts at the corners of the dust cover.
 - Lower the dust cover and simultaneously press down on the edges until it snaps into place over the CPU socket.

Caution Do not press down in the center of the dust cover!



Step 4 Detach the CPU from the CPU carrier by disengaging CPU clips and using the TIM breaker.

- a) Turn the CPU assembly upside down, so that the heatsink is pointing down.

This step enables access to the CPU securing clips.

- b) Gently lift the TIM breaker (1 in the following illustration) in a 90-degree upward arc to partially disengage the CPU clips on this end of the CPU carrier.
- c) Lower the TIM breaker into the u-shaped securing clip to allow easier access to the CPU carrier.

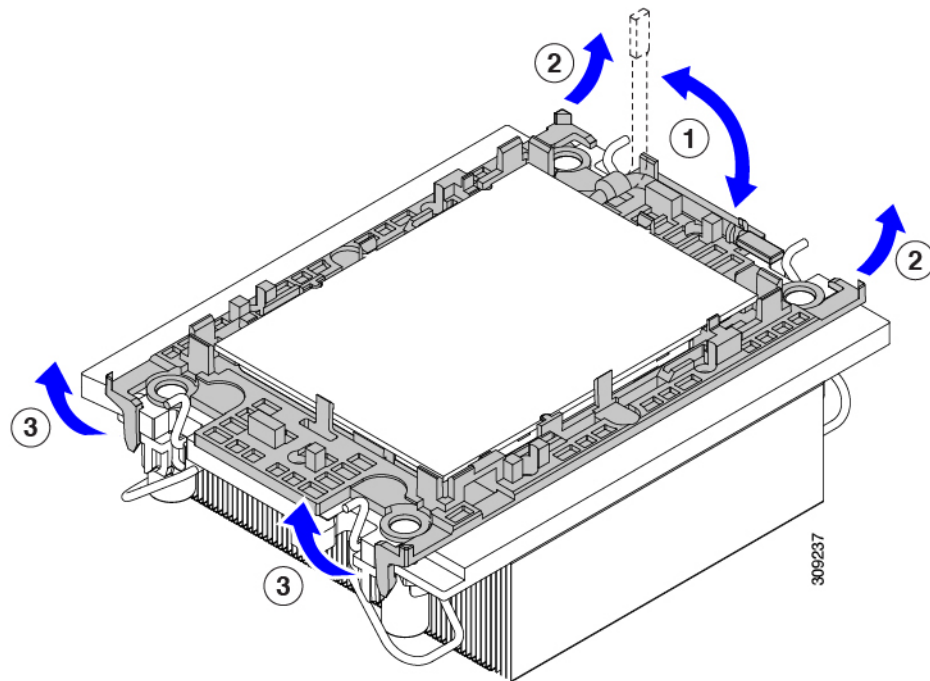
Note Make sure that the TIM breaker is completely seated in the securing clip.

- d) Gently pull up on the outer edge of the CPU carrier (2) so that you can disengage the second pair of CPU clips near both ends of the TIM breaker.

Caution Be careful when flexing the CPU carrier! If you apply too much force you can damage the CPU carrier. Flex the carrier only enough to release the CPU clips. Make sure to watch the clips while performing this step so that you can see when they disengage from the CPU carrier.

- e) Gently pull up on the outer edge of the CPU carrier so that you can disengage the pair of CPU clips (3 in the following illustration) which are opposite the TIM breaker.

- f) Grasp the CPU carrier along the short edges and lift it straight up to remove it from the heatsink.

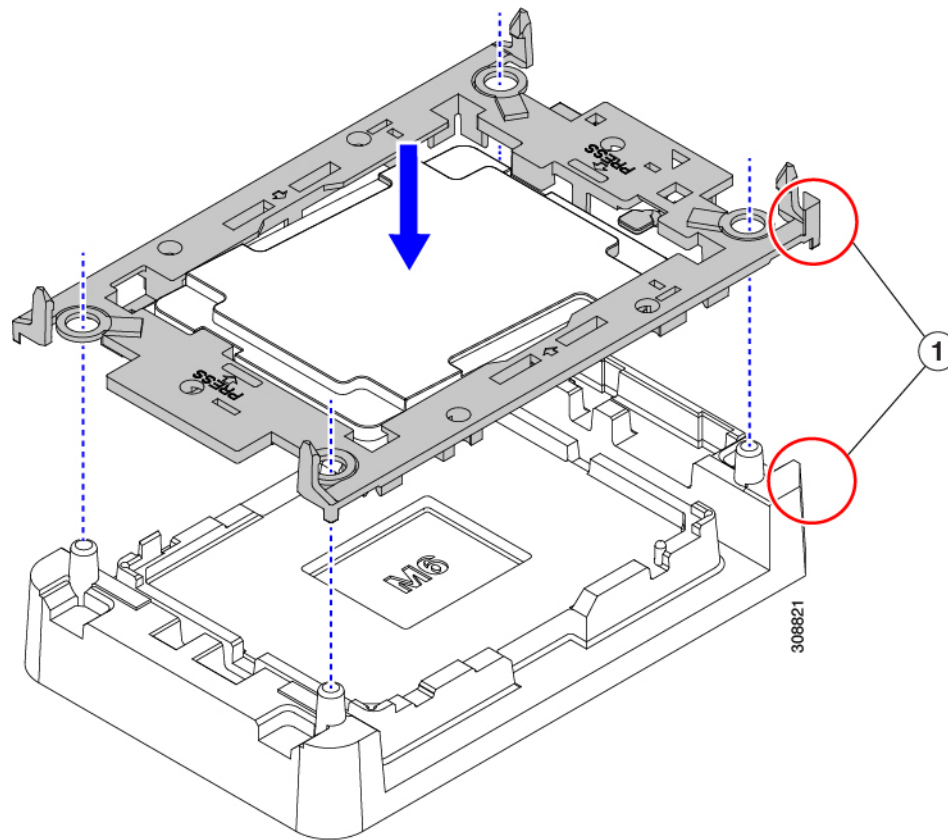


Step 5 Transfer the CPU and carrier to the fixture.

- a) When all the CPU clips are disengaged, grasp the carrier and lift it and the CPU to detach them from the heatsink.

Note If the carrier and CPU do not lift off of the heatsink, attempt to disengage the CPU clips again.

- b) Flip the CPU and carrier right-side up so that the words PRESS are visible.
c) Align the posts on the fixture and the pin 1 locations on the CPU carrier and the fixture (1 in the following illustration).
d) Lower the CPU and CPU carrier onto the fixture.



Step 6 Use the provided cleaning kit (UCSX-HSCK) to remove all of the thermal interface barrier (thermal grease) from the CPU, CPU carrier, and heatsink.

Important Make sure to use only the Cisco-provided cleaning kit, and make sure that no thermal grease is left on any surfaces, corners, or crevices. The CPU, CPU carrier, and heatsink must be completely clean.

What to do next

Choose the appropriate option:

- If you will be installing a CPU, go to [Installing CPUs and Heatsinks, on page 26](#).
- If you will not be installing a CPU, verify that a CPU socket cover is installed. This option is valid only for CPU socket 2 because CPU socket 1 must always be populated in a runtime deployment.

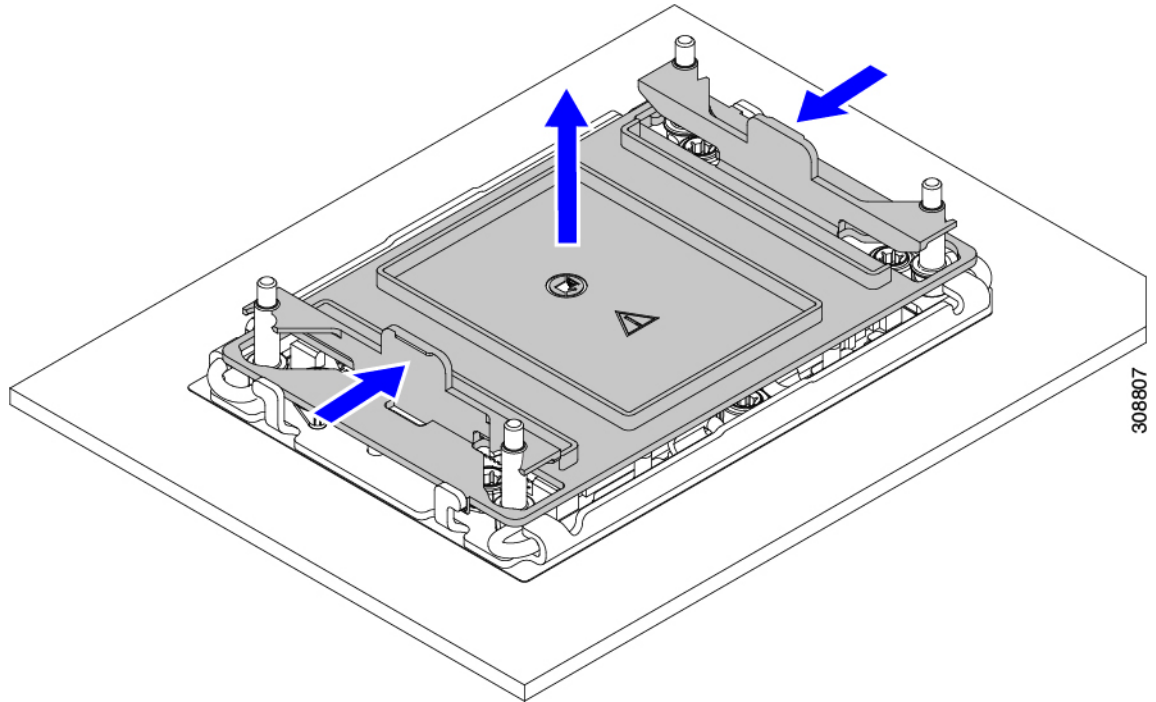
Installing CPUs and Heatsinks

Use this procedure to install a CPU if you have removed one, or if you are installing a CPU in an empty CPU socket. To install the CPU, you will move the CPU to the fixture, then attach the CPU assembly to the CPU socket on the server mother board.

Procedure

Step 1 Remove the CPU socket dust cover (UCS-CPU-M6-CVR=) on the server motherboard.

- a) Push the two vertical tabs inward to disengage the dust cover.
- b) While holding the tabs in, lift the dust cover up to remove it.



- c) Store the dust cover for future use.

Caution Do not leave an empty CPU socket uncovered. If a CPU socket does not contain a CPU, you must install a CPU dust cover.

Step 2 Grasp the CPU fixture on the edges labeled PRESS, lift it out of the tray, and place the CPU assembly on an ESD-safe work surface.

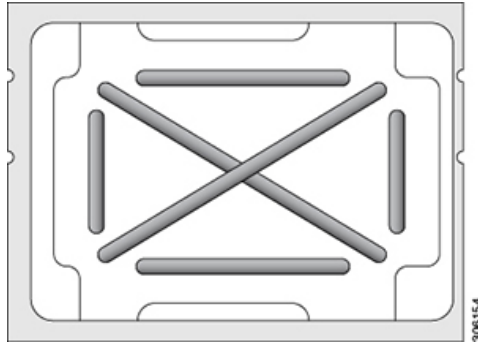
Step 3 Apply new TIM.

Note The heatsink must have new TIM on the heatsink-to-CPU surface to ensure proper cooling and performance.

- If you are installing a new heatsink, it is shipped with a pre-applied pad of TIM. Go to step 4.
 - If you are reusing a heatsink, you must remove the old TIM from the heatsink and then apply new TIM to the CPU surface from the supplied syringe. Continue with step **a** below.
- a) Apply the Bottle #1 cleaning solution that is included with the heatsink cleaning kit (UCSX-HSCK=), as well as the spare CPU package, to the old TIM on the heatsink and let it soak for a least 15 seconds.
 - b) Wipe all of the TIM off the heatsink using the soft cloth that is included with the heatsink cleaning kit. Be careful to avoid scratching the heatsink surface.
 - c) Completely clean the bottom surface of the heatsink using Bottle #2 to prepare the heatsink for installation.

- d) Using the syringe of TIM provided with the new CPU (UCS-CPU-TIM=), apply 1.5 cubic centimeters (1.5 ml) of thermal interface material to the top of the CPU. Use the pattern shown in the following figure to ensure even coverage.

Figure 8: Thermal Interface Material Application Pattern



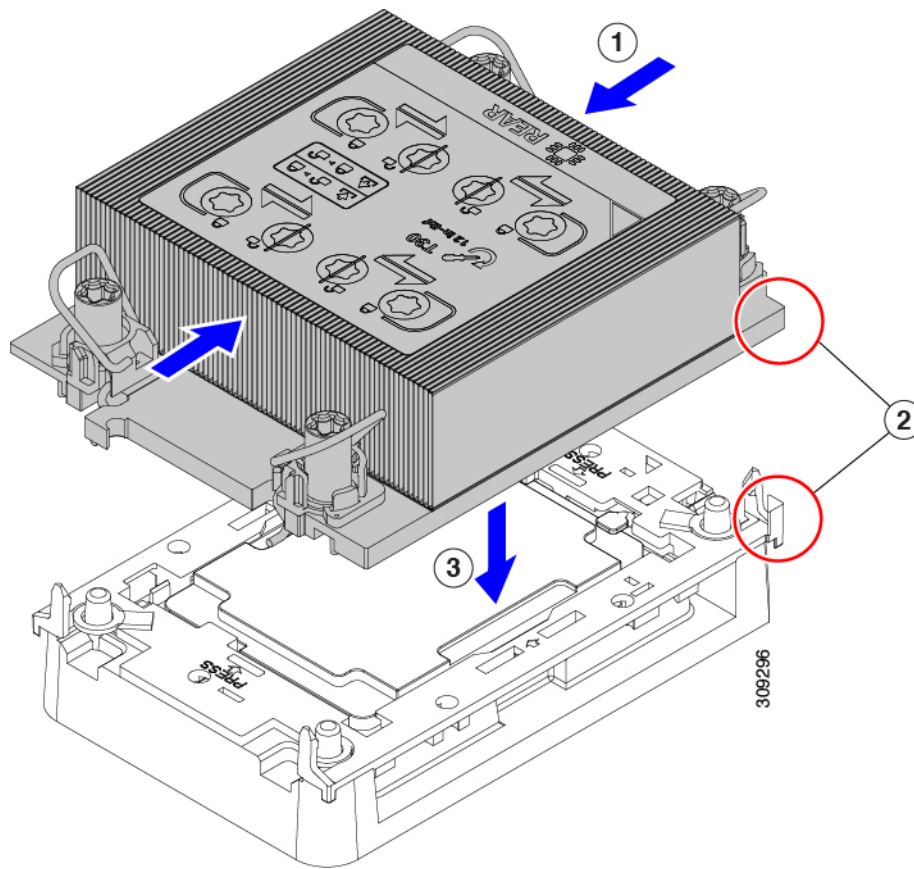
Caution Use only the correct heatsink for your CPU. CPU 1 uses heatsink UCSB-HS-M6-R and CPU 2 uses heatsink UCSB-HS-M6-F.

Step 4 Attach the heatsink to the CPU fixture.

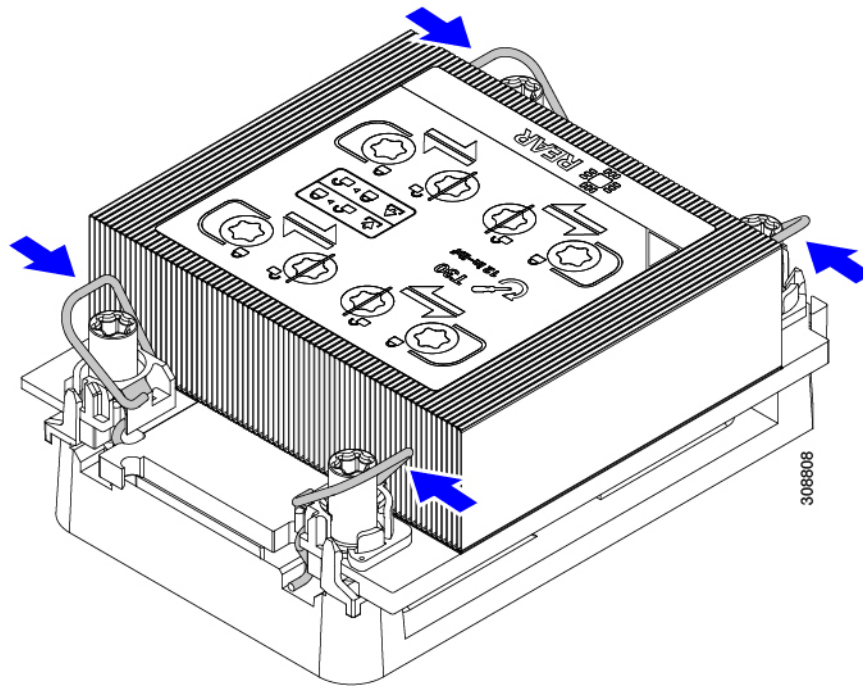
- a) Grasp the heatsink by the fins (1, in the following illustration), align pin 1 location of the heatsink with the pin 1 location on the CPU fixture (2), then lower the heatsink onto the CPU fixture.

The heatsink is correctly oriented when the embossed triangle points to the CPU pin 1 location, as shown.

Caution Make sure the rotating wires are in the unlocked position so that the feet of the wires do not impede installing the heatsink.



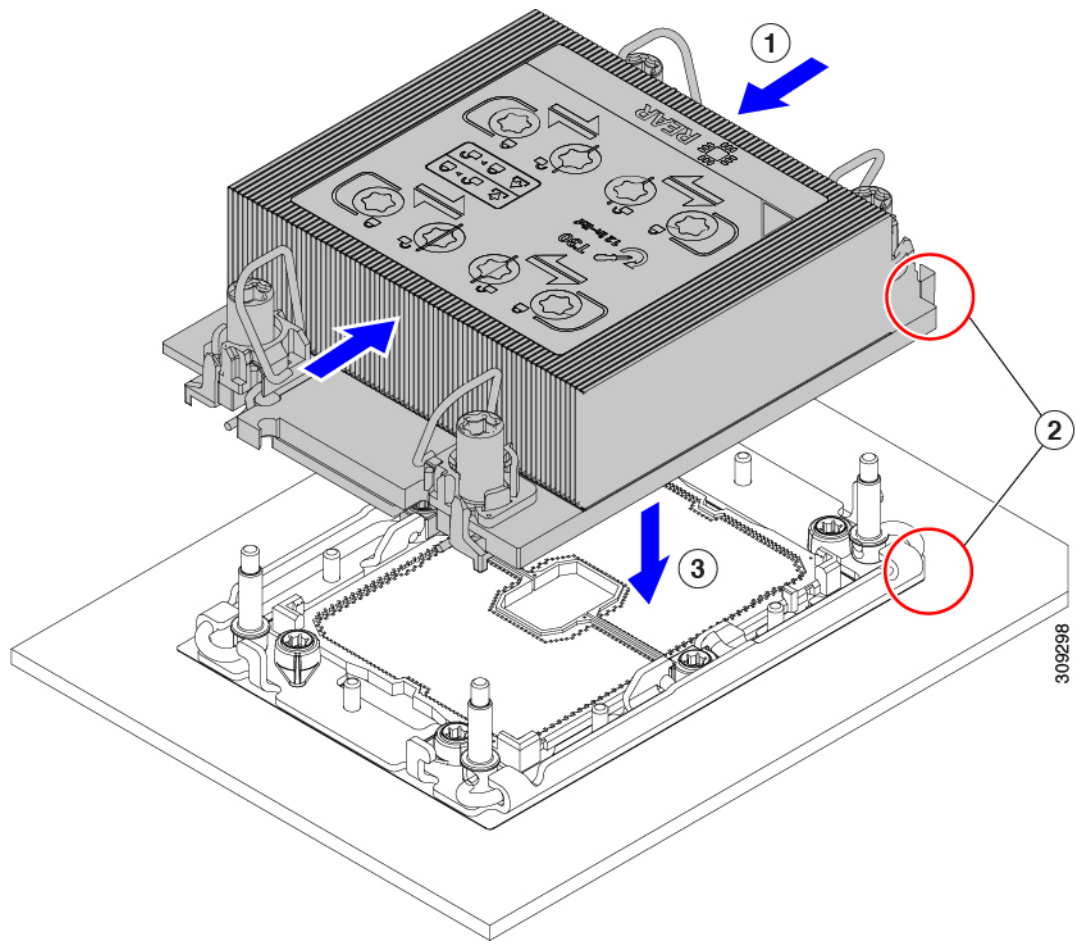
- Step 5** Install the CPU assembly onto the CPU motherboard socket.
- a) Push the rotating wires inward to the unlocked position so that they do not obstruct installation.



- b) Grasp the heatsink by the fins (1 in the following illustration), align the pin 1 location on the heatsink with the pin 1 location on the CPU socket (2), then seat the heatsink onto the CPU socket.

The heatsink is correctly oriented when the embossed triangle points to the CPU pin 1 location, as shown.

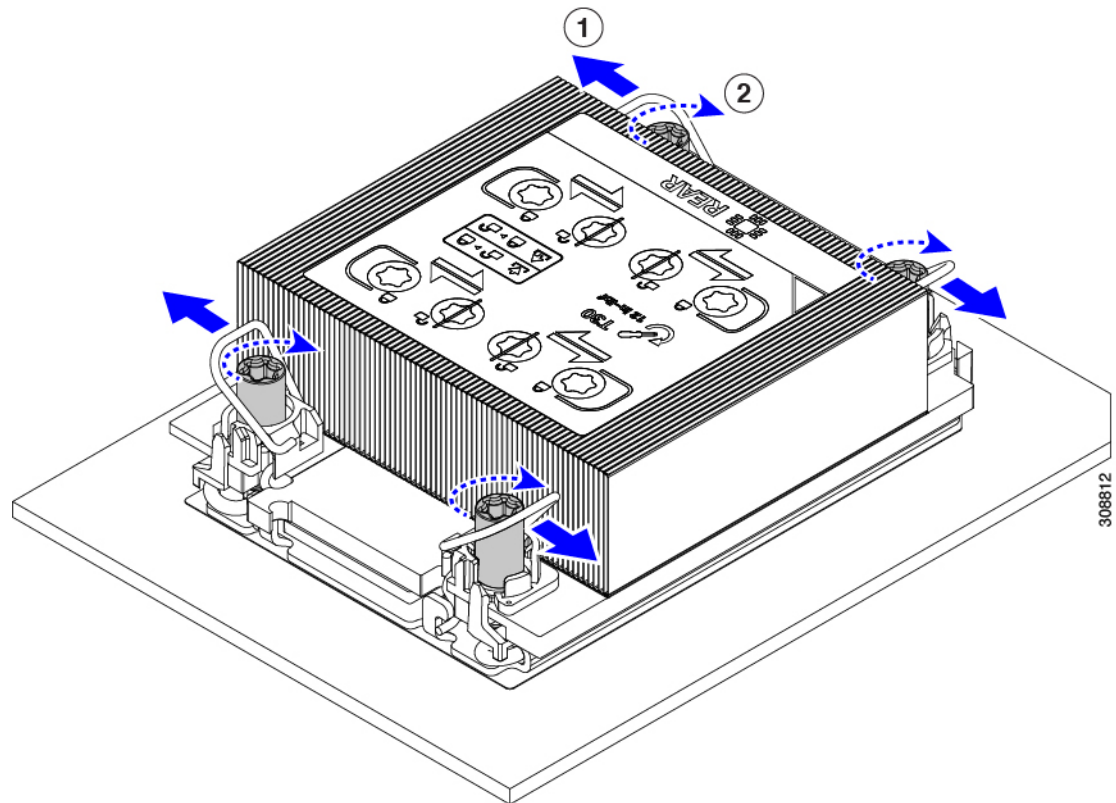
Caution Make sure the rotating wires are in the unlocked position so that the feet of the wires do not impede installing the heatsink.



- c) Push the rotating wires away from each other to lock the CPU assembly into the CPU socket (1 in the following illustration).

Caution Make sure that you close the rotating wires completely before using the Torx driver to tighten the securing nuts.

- d) Set the T30 Torx driver to 12 in-lb of torque and tighten the 4 securing nuts in a diagonal pattern to secure the CPU to the motherboard (2). You can start with any nut, but make sure to tighten the securing nuts in a diagonal pattern.



Replacing Memory DIMMs

To replace a memory DIMM, see the following topics:

- [DIMM Slot Identifiers](#), on page 32
- [Memory Population Guidelines](#), on page 34
- [Removing DIMMs or DIMM Blanks](#), on page 37
- [Installing DIMMs or DIMM Blanks](#), on page 39
- [Memory Performance](#), on page 41
- [Memory Mirroring and RAS](#), on page 42

DIMM Slot Identifiers

This blade server contains 32 DIMM slots—16 per CPU

To assist with identification, each DIMM slot displays its memory processor and slot ID on the motherboard. For example, P1 A1 indicates slot A1 for processor 1.

Also, you can further identify which DIMM slot connects to which CPU by the latch color for the DIMM slot.

- All DIMM slots with white latches are connected to CPU 1.
- All DIMM slots with yellow latches are connected to CPU 2.
- DIMM slots with white and yellow latches are oriented 180 degrees from each other due to the keying in the slot. While installing DIMMs in sockets with white latches, you will need to rotate the DIMMs 180 degrees.

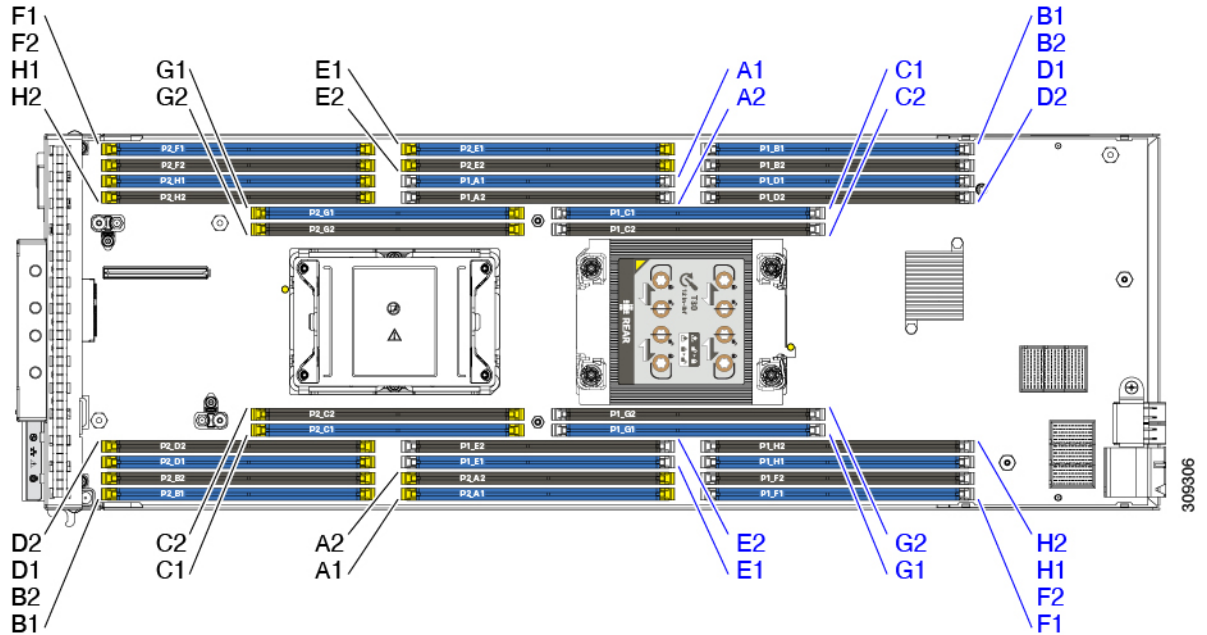


Caution If you feel resistance while seating a DIMM into its socket, do not force the DIMM or you risk damaging the DIMM or the slot. Check the keying on the slot and verify it against the keying on the bottom of the DIMM. When the DIMM's and slot's keys are aligned, reinstall the DIMM.

For each CPU, each set of 16 DIMMs is arranged into 8 channels, where each channel has two DIMMs. Each DIMM slot is numbered 1 or 2, and each DIMM slot 1 is blue and each DIMM slot 2 is black. Each channel is identified by two pairs of letters and numbers where the first pair indicates the processor, and the second pair indicates the memory channel and slot in the channel.

- Channels for CPU 1 are P1 A1 and A2, P1 B1 and B2, P1 C1 and C2, P1 D1 and D2, P1 E1 and E2, P1 F1 and F2, P1 G1 and G2, P1 H1 and H2.
- Channels for CPU 2 are P2 A1 and A2, P2 B1 and B2, P2 C1 and C2, P2 D1 and D2, P2 E1 and E2, P2 F1 and F2, P2 G1 and G2, P2 H1 and H2.

The following figure shows how DIMMs and channels are physically laid out and numbered. DIMM channel and slot IDs for CPU 1 are shown in blue text, and DIMM channel and slot IDs for CPU 2 are shown in black text.



Memory Population Guidelines

The following is a partial list of memory usage and population guidelines. For detailed information about memory usage and population, download the [Cisco UCS C220/C240/B200 M6 Memory Guide](#).



Caution Only Cisco memory is supported. Third-party DIMMs are not tested or supported.

- All DIMMs must be all DDR4 DIMMs and/or DDR4 and Intel Optane persistent memory 200 series (Intel Optane PMem 200 series) DIMMs.
- x4 DIMMs are supported.
- DDR4 memory is supported as documented in the *Cisco UCS B200 M6 Spec Sheet*. See <https://www.cisco.com/c/dam/en/us/products/collateral/servers-unified-computing/ucs-b-series-blade-servers/b200m6-specsheet.pdf>.
- DDR4 and Intel Optane Persistent Memory Series 200 DIMMs are supported as specified in the *Cisco UCS B200 M6 Spec Sheet*. See <https://www.cisco.com/c/dam/en/us/products/collateral/servers-unified-computing/ucs-b-series-blade-servers/b200m6-specsheet.pdf>.
- For memory population rules, see the *Cisco UCS B200 M6 Spec Sheet*. See <https://www.cisco.com/c/dam/en/us/products/collateral/servers-unified-computing/ucs-b-series-blade-servers/b200m6-specsheet.pdf>.
- DIMMs must be loaded lowest number slot first.
- Memory ranks are 64- or 72-bit chunks of data that each memory channel for a CPU can use. Each memory channel can support a maximum of 8 memory ranks. For quad-rank DIMMs, a maximum of 2 DIMMs are supported per channel (4 ranks * 2 DIMMs).
- Mixed ranks of DIMMs are allowed in the same channel, but you must populate higher quantity rank DIMMs in the lower numbered slots.
- All slots must be populated with either a DIMM or a DIMM blank. For installation instructions, see [Installing DIMMs or DIMM Blanks, on page 39](#).

Memory Population Order

The Cisco UCS B200 M6 blade has two memory options, DIMMs only or DIMMs plus Intel Optane PMem 200 series memory.

Memory slots are color coded, blue and black. The color-coded channel population order is blue slots first, then black.

For optimal performance, populate DIMMs in the order shown in the following table, depending on the number of CPUs and the number of DIMMs per CPU. If your server has two CPUs, balance DIMMs evenly across the two CPUs as shown in the table.



Note The table below lists recommended configurations. Using 3, 5, 7, 9, 10, 11, or 13-15 DIMMs per CPU is not recommended. Other configurations will result in reduced performance.

The following table shows the memory population order for DDR4 DIMMs.

Table 3: DIMMs Population Order

Number of DDR4 DIMMs per CPU (Recommended Configurations)	Populate CPU 1 Slot		Populate CPU2 Slots	
	P1 Blue #1 Slots	P1 Black #2 Slots	P2 Blue #1 Slots	P2 Black #2 Slots
	P1_slot-ID	P1_slot-ID	P2_slot-ID	P2_slot-ID
1	A1	-	A1	-
2	A1, E1	-	A1, E1	-
4	A1, C1, E1, G1	-	A1, C1, E1, G1	-
6	A1, C1, D1, E1, G1, H1	-	A1, C1, D1, E1, G1, H1	-
8	A1, B1, C1, D1, E1, F1, G1, H1	-	A1, B1, C1, D1, E1, F1, G1, H1	-
12	A1, C1, D1, E1, G1, H1	A2, C2, D2, E2, G2, H2	A1, C1, D1, E1, G1, H1	A2, C2, D2, E2, G2, H2
16	All populated (A1 through H1)	All populated (A2 through H2)	All populated (A1 through H1)	All populated (A2 through H2)

The following table shows the memory population order for DIMMs plus Intel Optane PMem 200 Series memory.



Note CPU 1 and CPU 2 must be populated identically.



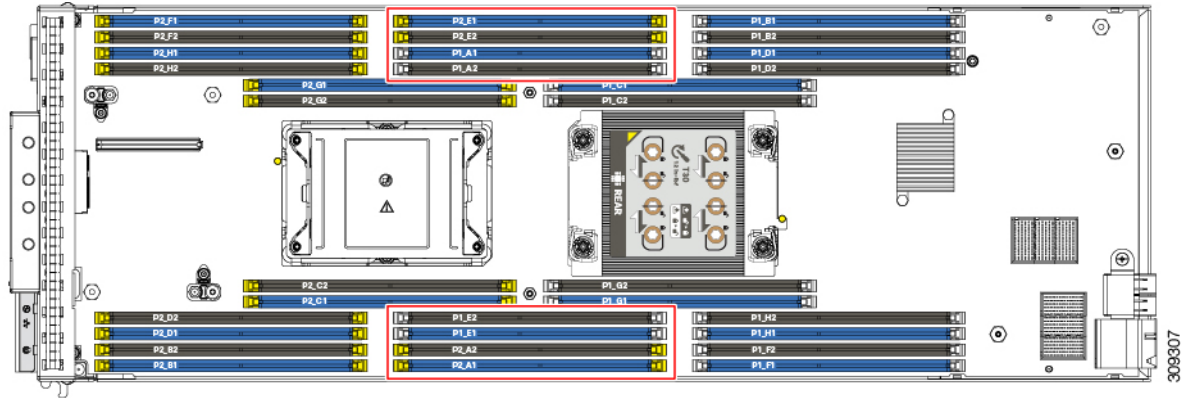
Note For only the 8+1 DIMM configuration, Memory mode is not supported. All other DIMM configuration support Memory mode and all other modes.

Table 4: DIMM Plus Intel Optane PMem 200 Series Memory Population Order Per CPU

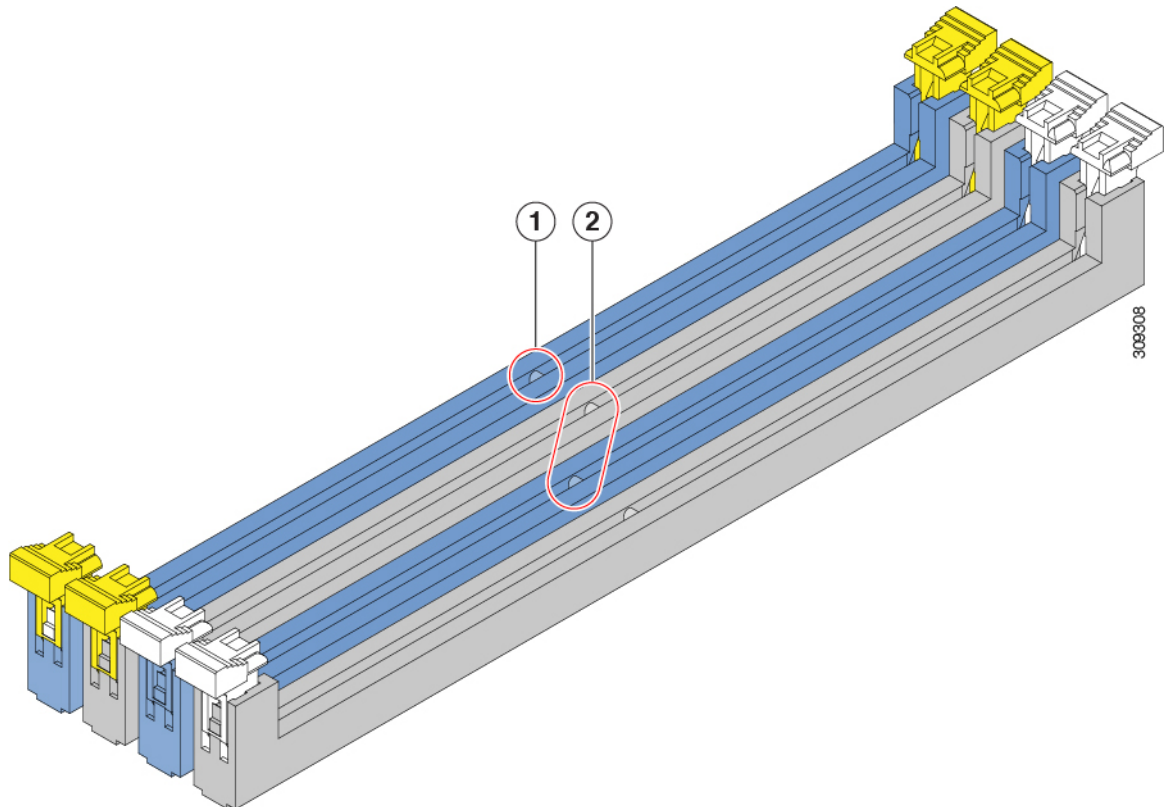
Total Number of DIMMs per CPU	DDR4 DIMM Slot	Intel Optane PMem 200 Series DIMM Slot
4+4 DIMM	A1, C1, E1, G1	B1, D1, F1, H1
8+1 DIMMs	A1, B1, C1, D1, E1, F1, G1, H1	A2
8+4 DIMMs	A1, B1, C1, D1, E1, F1, G1, H1	A2, C2, E2, G2
8+8 DIMMs	A1, B1, C1, D1, E1, F1, G1, H1	A2, B2, C2, D2, E2, F2, G2, H2

DIMM Slot Keying Consideration

DIMM slots with white and yellow latches are oriented 180 degrees from each other. In the center memory column, slots with white and yellow latches are next to each other, so the DIMM orientation must change depending on which slots you are populating with DIMMs.

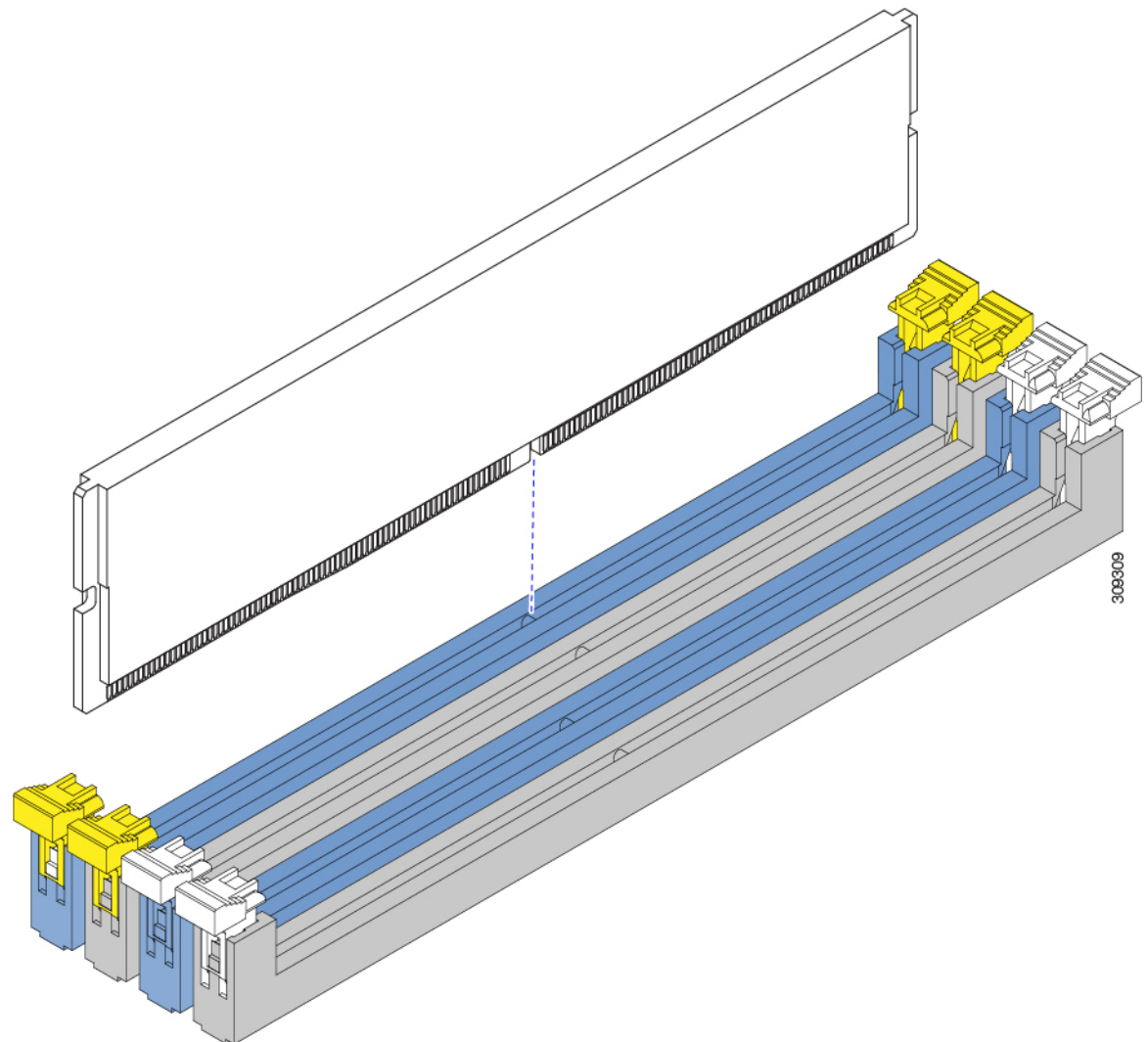


Each DIMM slot has a key that fits a notch in the DIMM, and because of the 180-degree orientation difference, the DIMM slot keys are at a different location for DIMM slots with white and yellow latches.



1	DIMM slot key
2	Example of DIMM slot key location difference

When installing a DIMM, always make sure that the key in the DIMM slot lines up with the notch in the DIMM.



Caution If you feel resistance while seating a DIMM into its socket, do not force the DIMM or you risk damaging the DIMM or the slot. Check the keying on the slot and verify it against the keying on the bottom of the DIMM. When the slot's key and the DIMM's notch are aligned, reinstall the DIMM.

Removing DIMMs or DIMM Blanks

The server top cover must be removed to access the DIMM slots.

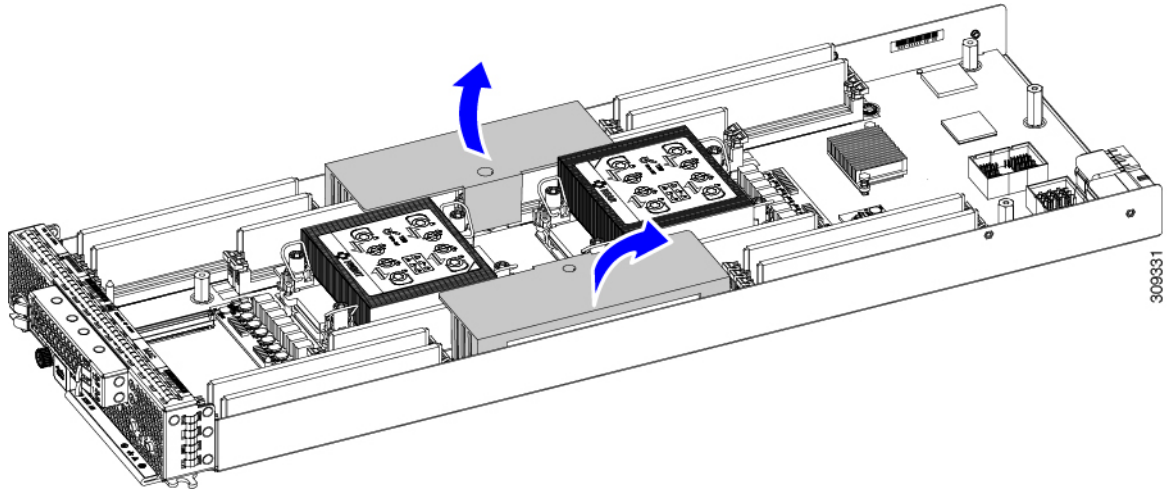
To remove a DIMM or a DIMM blank (UCS-DIMM-BLK=) from a slot on the blade server, follow these steps.

Procedure

Step 1 Grasp each DIMM baffle and lift it off of the blade.

Each DIMM baffle is fitted onto a standoff, so you need to pull straight up far enough to disconnect the baffle from the standoff.

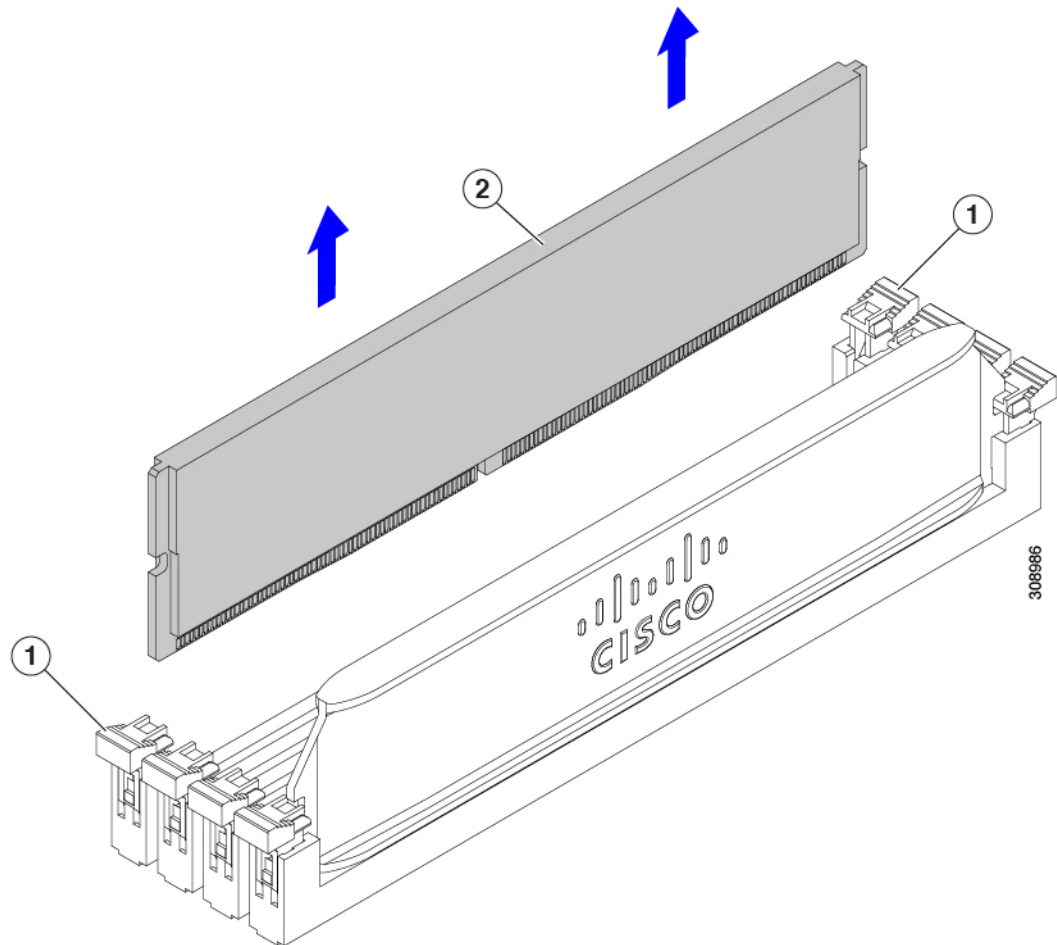
Note You will find it helpful to remember each DIMM baffle's location on the blade.



Step 2 Open both DIMM connector latches by pushing them away from each other.

Step 3 Grasp each end of the DIMM or blank and lift it out of the socket.

Figure 9: Removing a DIMM or DIMM Blank



Step 4 If you are removing a DIMM blank and installing a DIMM, keep the DIMM blank in safe place.

Note If you will not be installing a DIMM, you must install a DIMM blank. Do not operate the server with an empty DIMM slot.

What to do next

Go to [Installing DIMMs or DIMM Blanks](#), on page 39.

Installing DIMMs or DIMM Blanks

To install a DIMM or a DIMM blank (UCS-DIMM-BLK=) into a slot on the blade server, follow these steps.



Caution White and yellow DIMM latches are oriented 180 degrees from other. Check the keying on the DIMM and its slot to verify that they are properly aligned before installing the DIMM. See [DIMM Slot Identifiers](#), on page 32.

Procedure

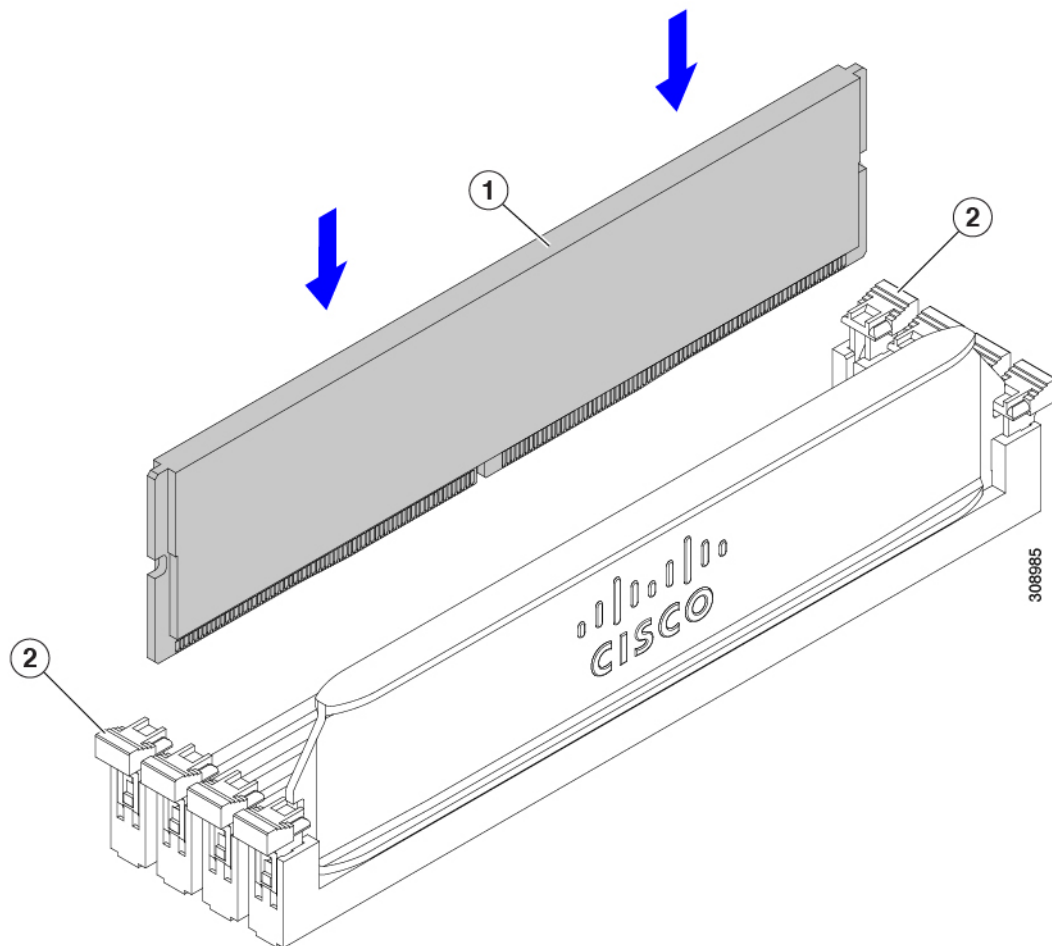
Step 1 Open both DIMM connector latches.

Step 2 Insert the DIMM and press evenly on both ends until it clicks into place in its slot.

Note Ensure that the notch in the DIMM aligns with the key in the slot. If the notch is misaligned, it is possible to damage the DIMM, the slot, or both.

Step 3 Press the DIMM connector latches inward slightly to seat the DIMM or blank fully.

Figure 10: Installing a DIMM or DIMM Blank



Step 4 Populate all slots with a DIMM or DIMM blank.

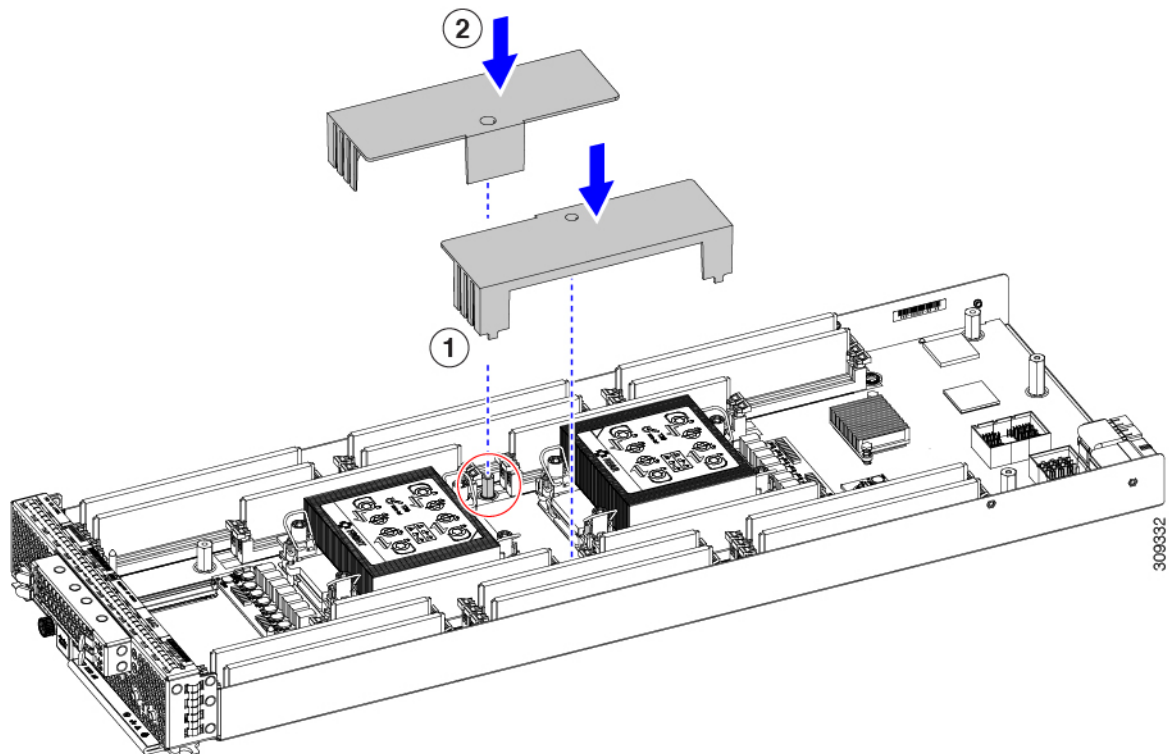
A slot cannot be empty, so make sure all slots have either a DIMM or DIMM blank before reinserting the blade.

Step 5 Install each DIMM baffle.

- a) Orient each DIMM baffle as shown.
- b) Align each DIMM baffle so that the circle on the top of the DIMM baffle lines up with the standoff on the blade.

DIMM baffles are keyed so that they can be installed one way only. If a baffle does not install, remove both baffles, and try to install them in the opposite location.

- c) Holding the DIMM baffle level, lower the baffle and press down to seat the baffle onto the standoff and the two feet onto the blade.



- d) (Optional) Attach the top cover and return the blade to service.

Memory Performance

When considering the memory configuration of the blade server, there are several things to consider. For example:

- When mixing DIMMs of different densities (capacities), the highest density DIMM goes in slot 1 then in descending density.
- Besides DIMM population and choice, the selected CPU(s) can have some effect on performance.

Memory Mirroring and RAS

The Intel CPUs within the blade server support DDR4 memory mirroring only in 8 and 16 DIMM configurations on each CPU. If memory mirroring is used, DRAM size is reduced by 50 percent for reasons of reliability.

Replacing a Virtual Interface Card

Use the following topics to replace the VIC:

- [Removing a Virtual Interface Card from the mLOM Slot, on page 42](#)
- [Installing Virtual Interface Card in the mLOM Slot, on page 43](#)

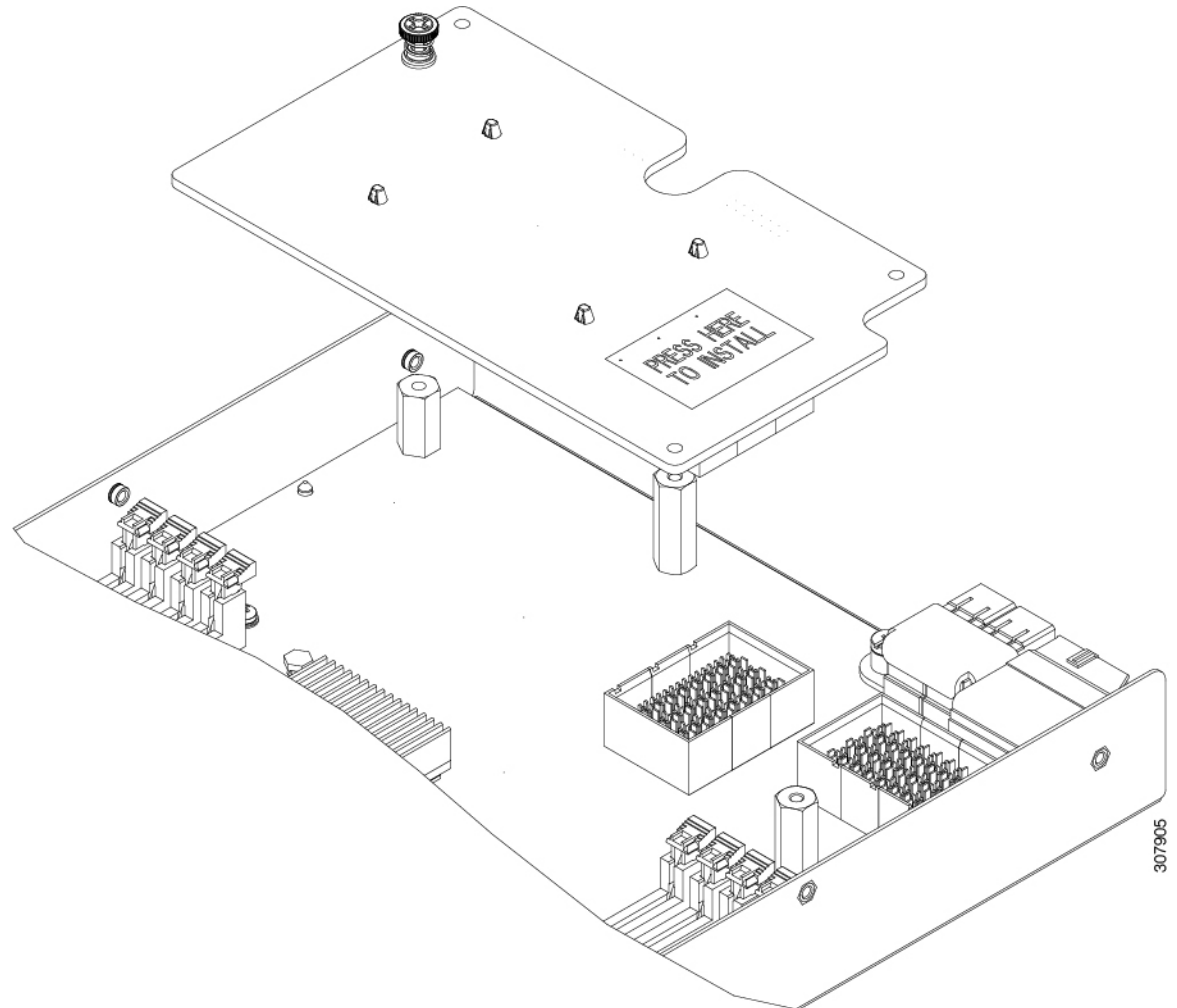
Removing a Virtual Interface Card from the mLOM Slot

Use this task to remove a VIC card from the mLOM module slot. You might need to remove additional components to gain access to the mLOM module slot.

Procedure

- Step 1** If a rear mezzanine module is installed, remove it to provide access to the mLOM slot.
See [Removing the Rear Mezzanine Module, on page 16](#).
- Step 2** Using a #2 Phillips screwdriver, loosen the captive screw.
- Step 3** Grasp the VIC card where `PRESS HERE TO INSTALL` is stamped onto the VIC.
- Step 4** Pull the VIC connector up to disconnect the VIC connector from the motherboard mLOM connector.
- Note** You might find it helpful when removing the connector from the motherboard to gently rock the board along the length of the connector until it loosens.

Figure 11: Removing the VIC Card from the mLOM Slot



What to do next

Go to [Installing Virtual Interface Card in the mLOM Slot](#), on page 43.

Installing Virtual Interface Card in the mLOM Slot

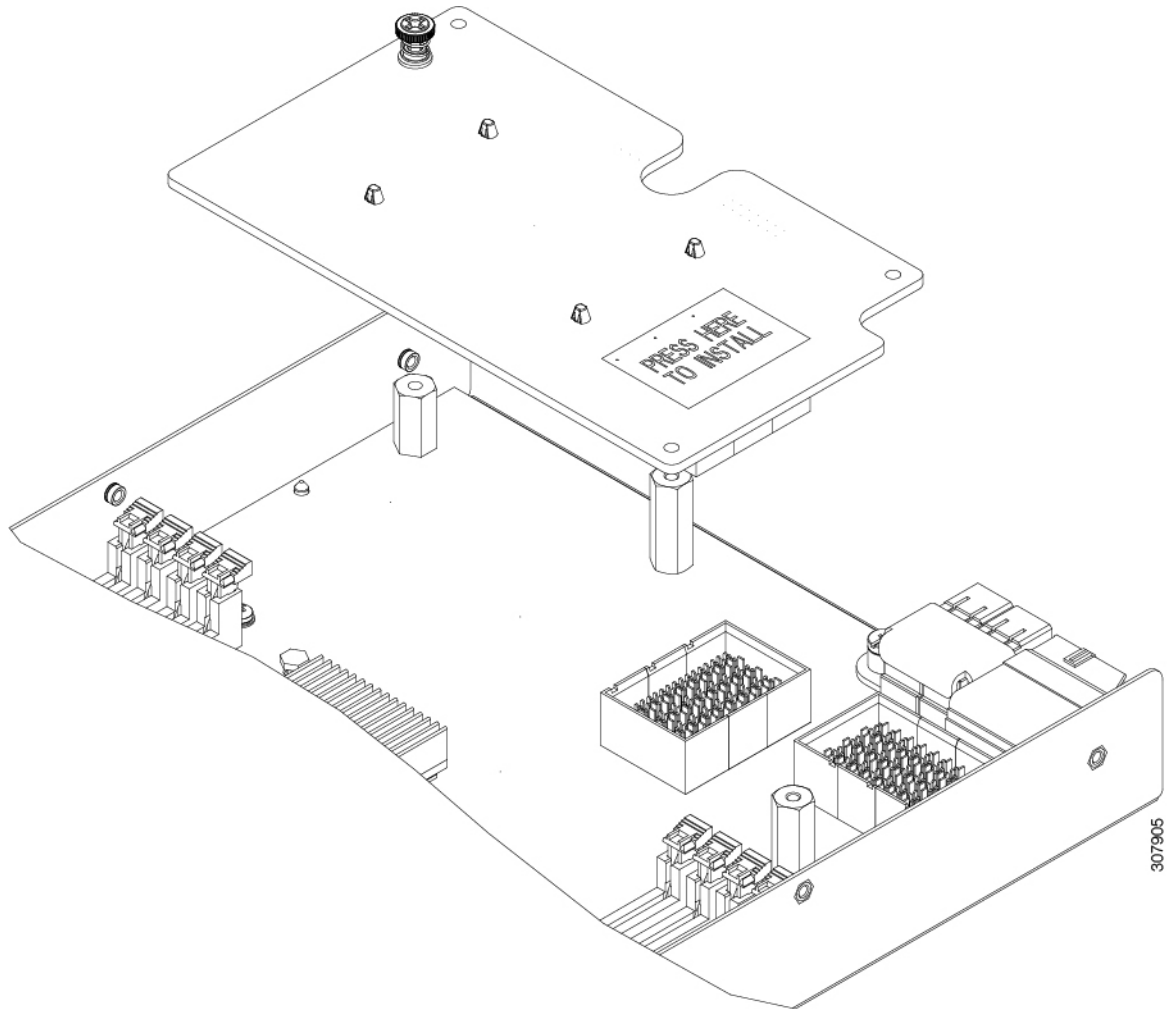
Use this task to install a virtual interface card (VIC) into the motherboard connector in the mLOM slot. You might need to remove additional components to gain access to the mLOM slot.

Procedure

- Step 1** If a rear mezzanine module is installed, remove it to provide access to the mLOM slot.
See [Removing the Rear Mezzanine Module](#), on page 16

- Step 2** Position the VIC connector above the motherboard connector and align the captive screw with the standoff post on the motherboard.
- Step 3** Firmly press the VIC connector into the motherboard connector where `PRESS HERE TO INSTALL` is stamped on the VIC.
- Step 4** Using a #2 Phillips screwdriver, tighten the captive screw.

Figure 12: Installing the VIC into the mLOM Slot

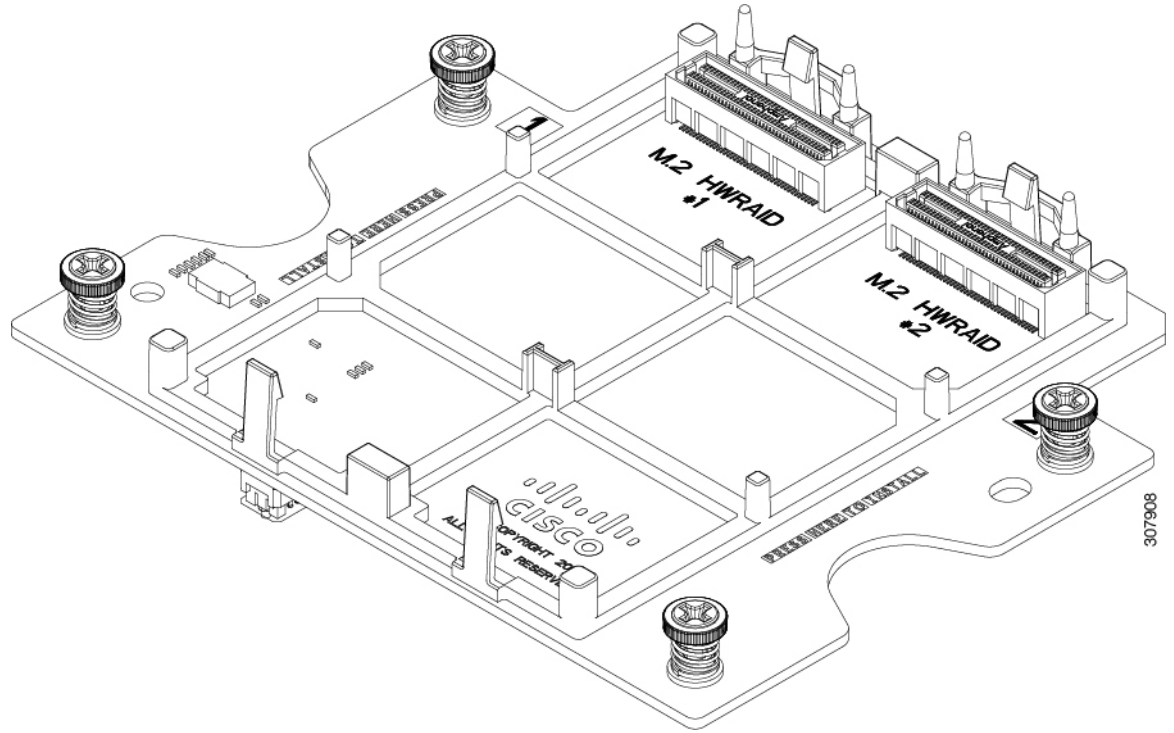


Replacing the Front Mezzanine Module

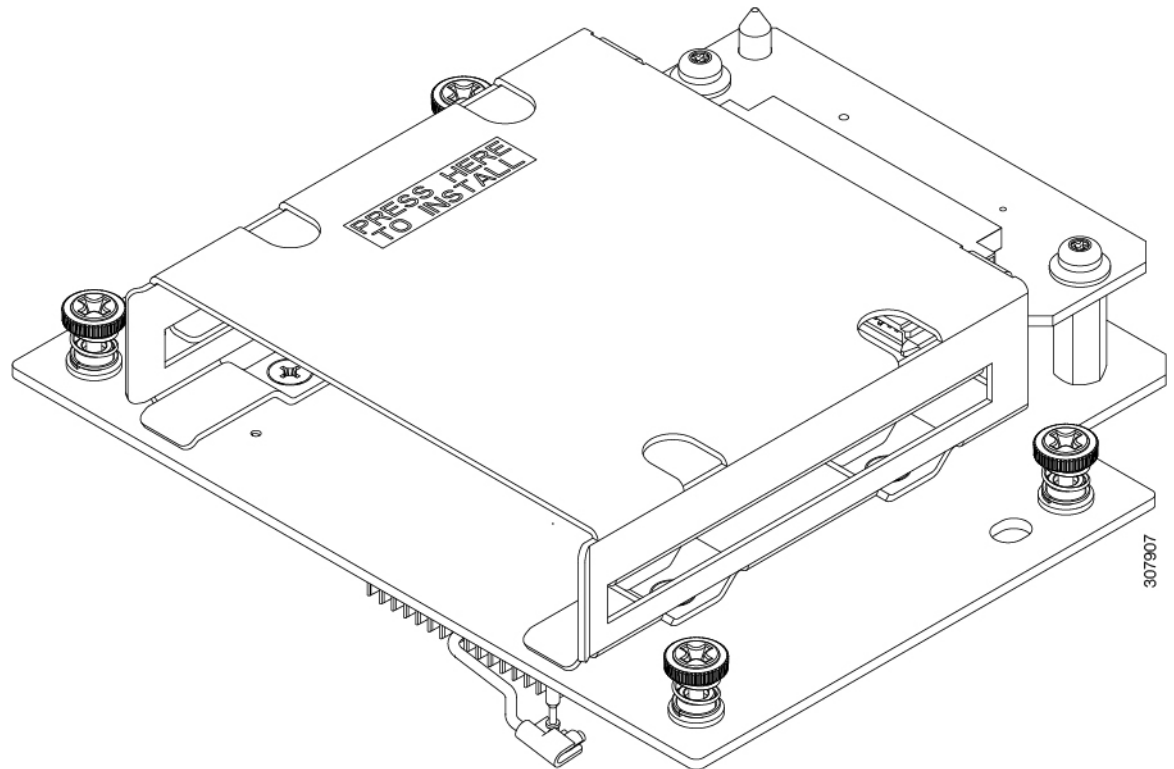
In the front mezzanine slot, the Cisco B200 M6 supports a front mezzanine module. The front mezzanine module mounts onto the motherboard, and provides connection to the power plane and communication to other components in the server. Depending on the type, the front mezzanine module accepts the server's M.2 mini storage modules or front-loading 7 mm SSDs.

The following front mezzanine modules are supported.

- A front mezzanine module that supports a mini-storage module for M.2 drives.



- A front mezzanine module that supports 12G SAS RAID.



To replace the front mezzanine module, use the following procedures:

- [Removing the Front Mezzanine Module, on page 46](#)
- [Installing the Front Mezzanine Module, on page 46](#)

Removing the Front Mezzanine Module

Both front mezzanine modules attach to the blade through four threaded standoffs. Two alignment pins in the blade's front mezzanine slot enforce the correct position for the module on the blade.



Note The front mezzanine mini-storage module for M.2 drives can be removed with the mini M.2 drives in place. However, if you want to remove them, you can.

The front mezzanine module for 12G SAS RAID supports front-loading 7 mm drives. You must remove the drives before removing the front mezzanine module.

Procedure

-
- Step 1** Using a #2 Phillips screwdriver, loosen the four screws that secure the front mezzanine module to the standoffs.
- Step 2** Grasp the front mezzanine module where it is labeled `Press Here to Install` and on the opposite edge.
- Note** The front mezzanine mini-storage module for M.2 drives has semicircular finger holds to help you grasp it. The front mezzanine module for 12G SAS RAID has sheetmetal that you can grasp.
- Step 3** Holding the front mezzanine module level, pull straight up to remove it from the blade.
-

Installing the Front Mezzanine Module

The front mezzanine module occupies the blade's front mezzanine slot. Guide pins on the blade help align with the guide holes on the front mezzanine module.

Use the following procedure to install the front mezzanine module.

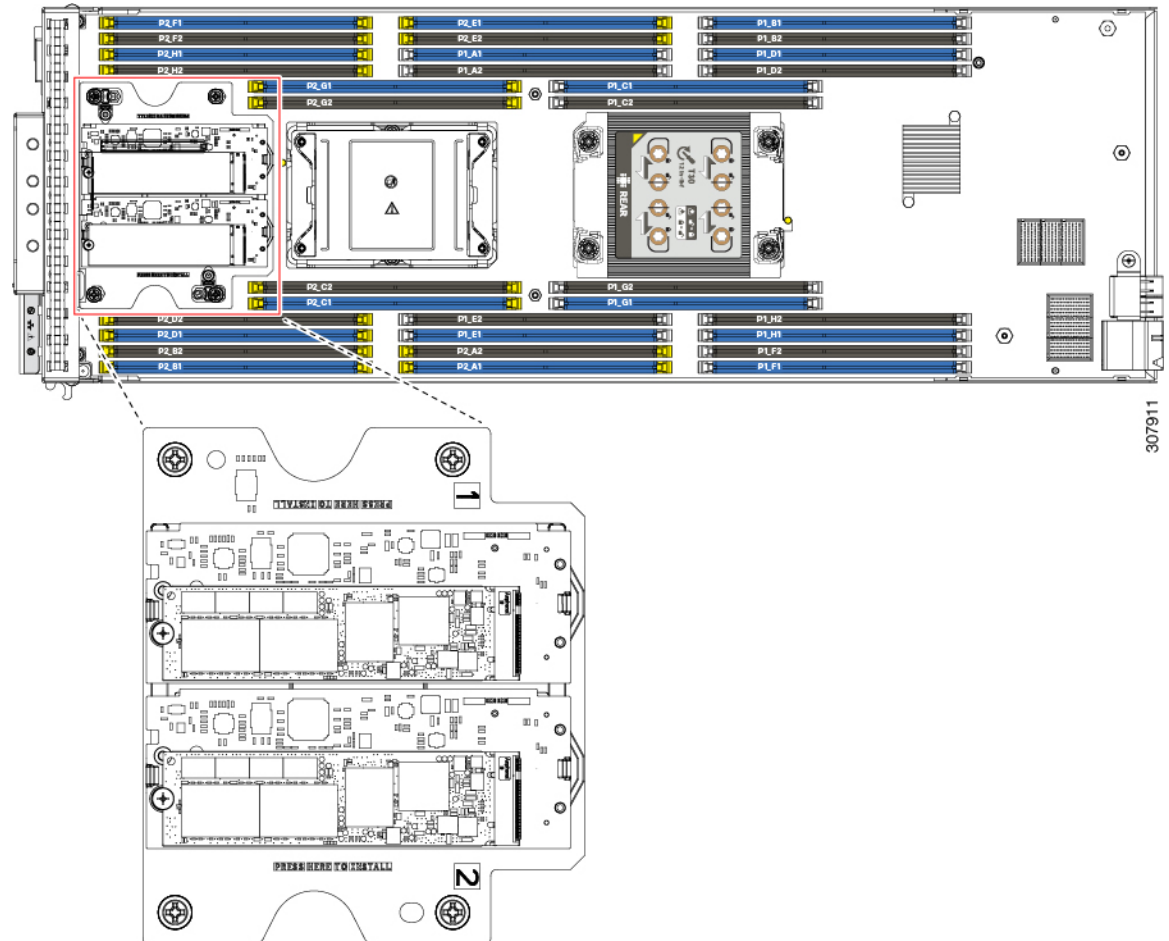
Procedure

-
- Step 1** Orient the guide holes on the front mezzanine module with the guide pins on the blade.
- Step 2** Align the thumbscrews with the threaded standoffs.
- Step 3** Grasp the module where it is labeled `Press Here to Install` and on the opposite edge, then press down to seat the module on the blade.
- Step 4** Using a #2 Phillips screwdriver, tighten the thumbscrews to secure the module to the blade.
-

Replacing a Cisco Boot-Optimized M.2 RAID Controller

The Cisco Boot-Optimized M.2 RAID controller sits in the front mezzanine storage slot and provides RAID connectivity for the M.2 SSD server storage. The RAID controller consists of small PCB daughter card, an M.2 SATA SSD drive carrier, and individual M.2 SSDs. The entire RAID controller and the individual SATA SSDs are field replaceable.

Figure 13: Cisco Boot-Optimized M.2 RAID Controller



To replace the M.2 RAID optimized RAID controller, see the following topics:

- [Removing a Cisco Boot-Optimized M.2 RAID Controller, on page 47](#)
- [Installing a Cisco Boot-Optimized M.2 RAID Controller, on page 50](#)

Removing a Cisco Boot-Optimized M.2 RAID Controller

Use this procedure to remove a Cisco boot-optimized M.2 RAID controller.

Before you begin

Use this procedure to remove the M.2 RAID controller from the blade. The M.2 RAID controller consists of two M.2 mini storage carriers, and each carrier can contain a pair of M.2 SATA drives. The embedded M.2 SATA mini storage SSDs (drives) in the front mezzanine mini storage module are not hot swappable.

Procedure

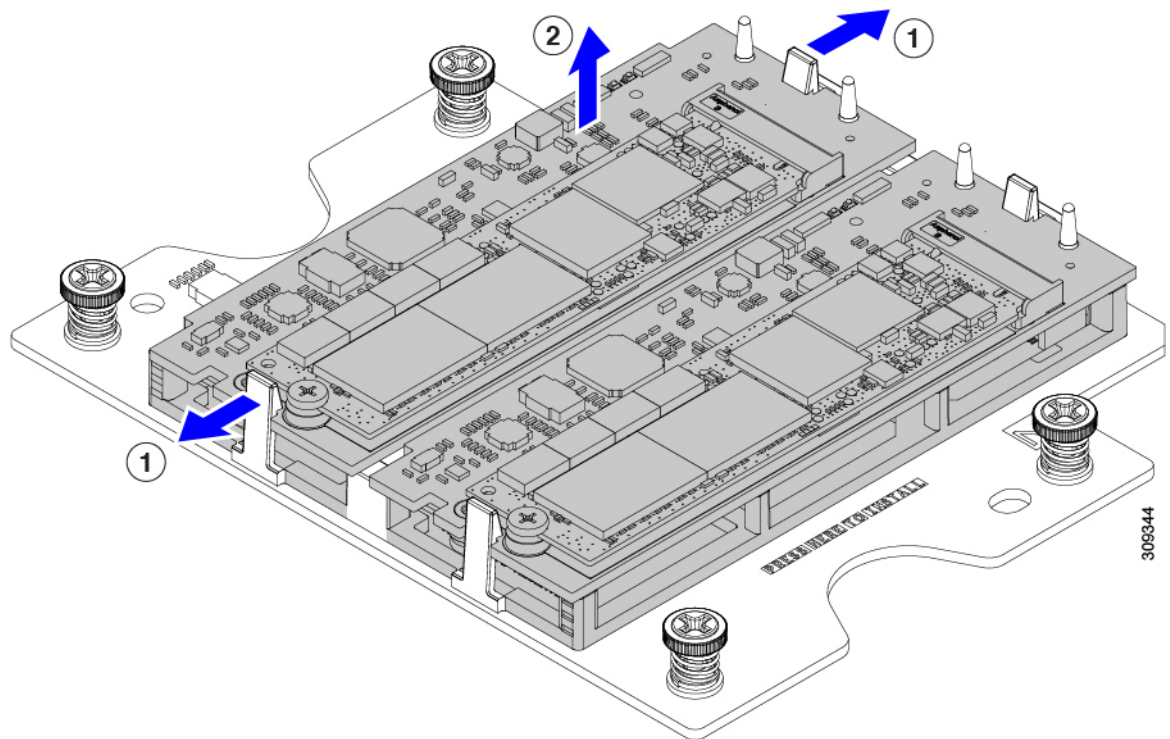
- Step 1** If you have not already removed the top cover, do so now. See [Removing the Top Cover, on page 15](#).
- Step 2** (Optional) Remove the front mezzanine mini storage module for M.2 from the server. See [Removing the Front Mezzanine Module, on page 46](#).
- Step 3** Remove the M.2 mini storage carrier from the server.
- Press out on the securing clips to disengage the carrier from the socket.
 - Pull straight up on the carrier to remove it.

These steps remove the carrier which contains the dual M.2 SATA drives.

Note If you feel resistance verify the following:

- The securing clip is not contacting the carrier.
- The storage carrier is level. If not, the resistance might be the carrier.

Figure 14: Unseating the M.2 Mini Storage Carrier

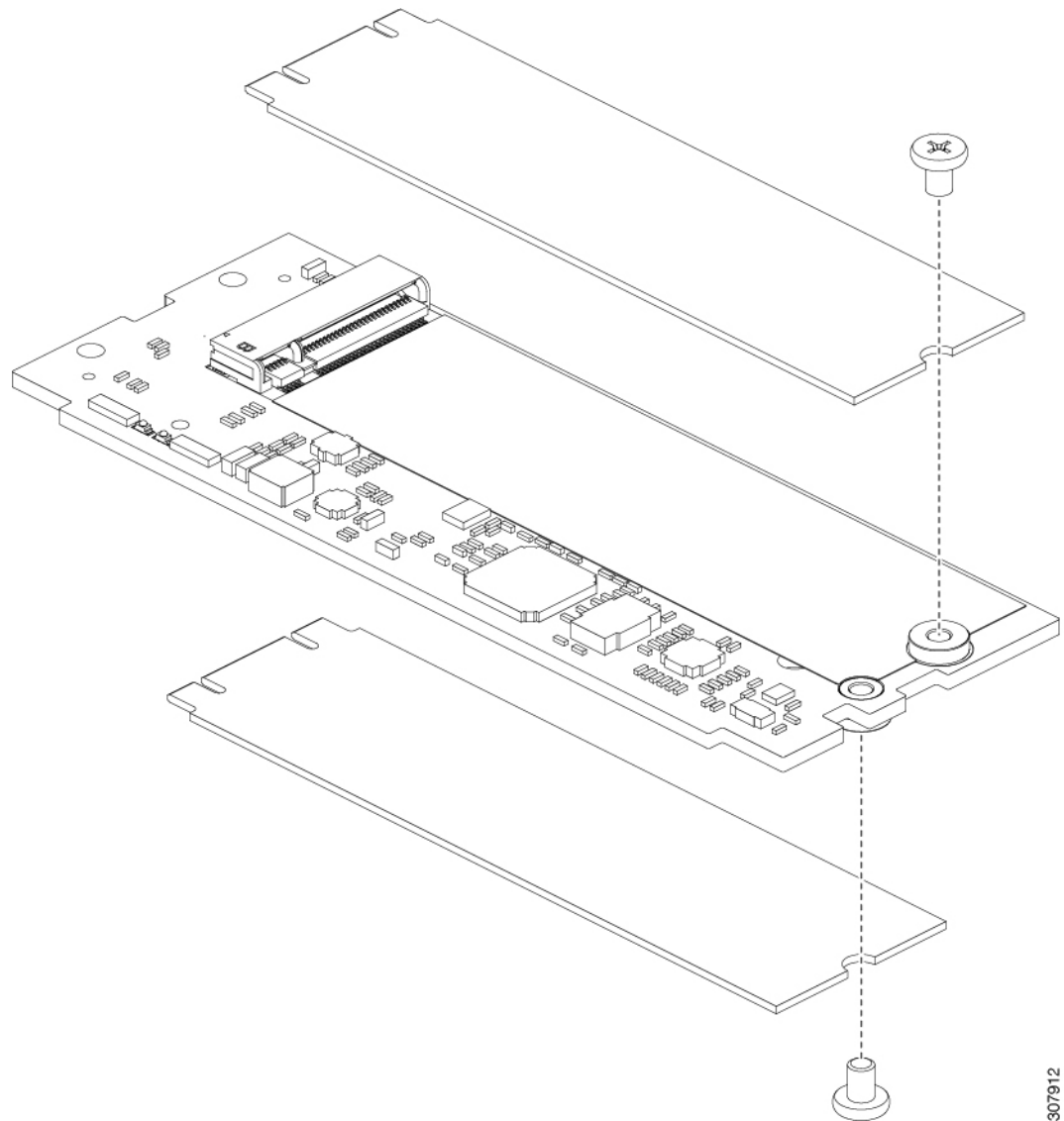


- Step 4** If you are transferring SATA M.2 drives from an old M.2 controller to a replacement controller, complete the following steps before installing the replacement controller:

Note Any previously configured volume and data on the SSDs are preserved when the M.2 SSDs are transferred to the new controller. The system will boot the existing OS that is installed on the SSDs.

- a) Use a #1 Phillips-head screwdriver to remove the single screw that secures the M.2 SSD to the carrier.
- b) Lift the M.2 drive from its socket on the carrier.
- c) Position the replacement M.2 drive over the socket on the controller board so that the M.2 drive's label is facing up.
- d) Angle the M.2 drive downward and insert the connector-end into the socket on the carrier.
- e) Press the M.2 drive flat against the carrier.
- f) Install the single screw that secures the end of the M.2 drive to the carrier.
- g) Turn the controller over and install the second M.2 drive.

Figure 15: Installing Replacement M.2 Storage Drives into the Carrier



307912

What to do next

[Installing a Cisco Boot-Optimized M.2 RAID Controller, on page 50](#)

Installing a Cisco Boot-Optimized M.2 RAID Controller

Use this procedure to install the Cisco boot-optimized M.2 RAID controller. Each slot on the controller is labeled with 1 and 2 to identify each slot for the carrier.

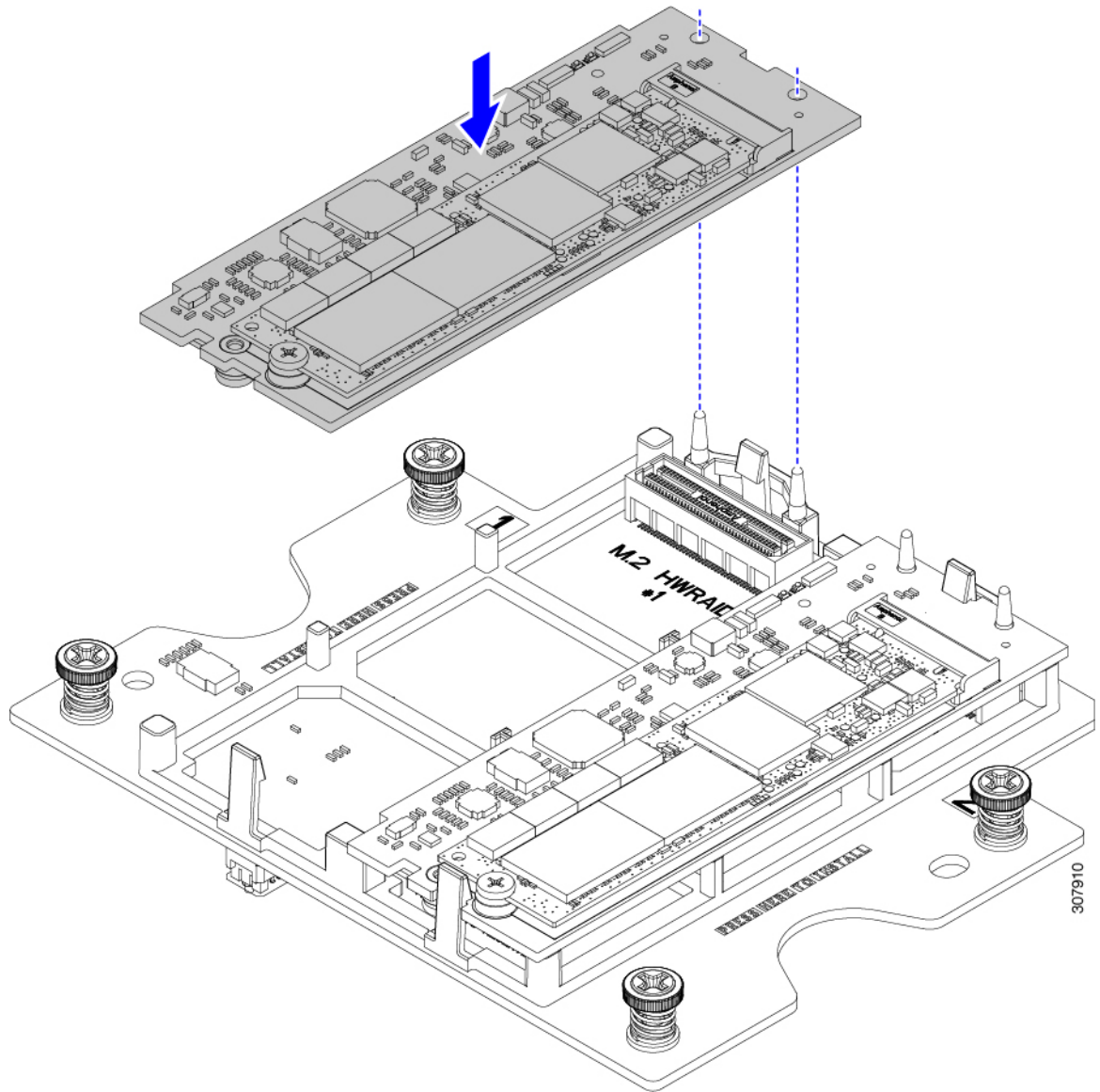
Before you begin

If you need to replace the RAID controller, the individual M.2 storage drives must be included in the replacement RAID controller. Make sure to remove them from the original RAID controller and install them on the RAID controller you are installing. See [Removing a Cisco Boot-Optimized M.2 RAID Controller, on page 47](#).

Procedure

- Step 1** Align the two mounting holes on the carrier with the guide pins on the storage module.
- Step 2** Lower the carrier onto the controller on both ends, making sure the securing clips snap in.
- Step 3** Simultaneously push on the four corners of the carrier to fully seat it.

Figure 16: Seating the M.2 Storage Carrier



- Step 4** If you removed the front mezzanine module for M.2, reinstall it now. See [Installing the Front Mezzanine Module](#), on page 46.
- Step 5** Reinsert the blade server into the server chassis.

Replacing 7 mm Front Mezzanine Drives

The Cisco UCS B200 M6 blade has a maximum of two front-loading 7 mm drives accessible through the front of the blade. Drives can be either SATA or NVMe. Drives are field-replaceable.

To replace the blade's front drives, use the following procedures:

- [Removing a 7 mm SATA SSD, on page 53](#)
- [Installing a 7 mm SATA SSD, on page 53](#)
- [Removing an NVMe Drive, on page 54](#)
- [Installing an NVMe Drive, on page 55](#)

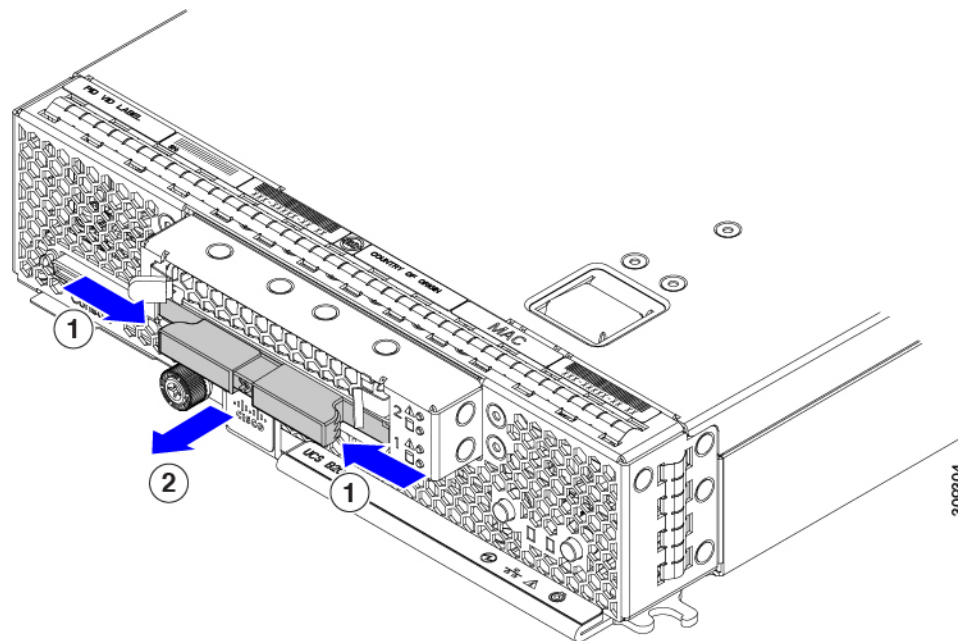
Removing a 7 mm SATA SSD

Front-loading 7 mm SATA SSDs are hot pluggable/hot swappable.

Use this procedure to remove a front-loading 7 mm SATA SSD.

Procedure

- Step 1** Grasp the SSD by its finger holds and pinch them together.
- Step 2** Slide the SSD out of the drive bay.



What to do next

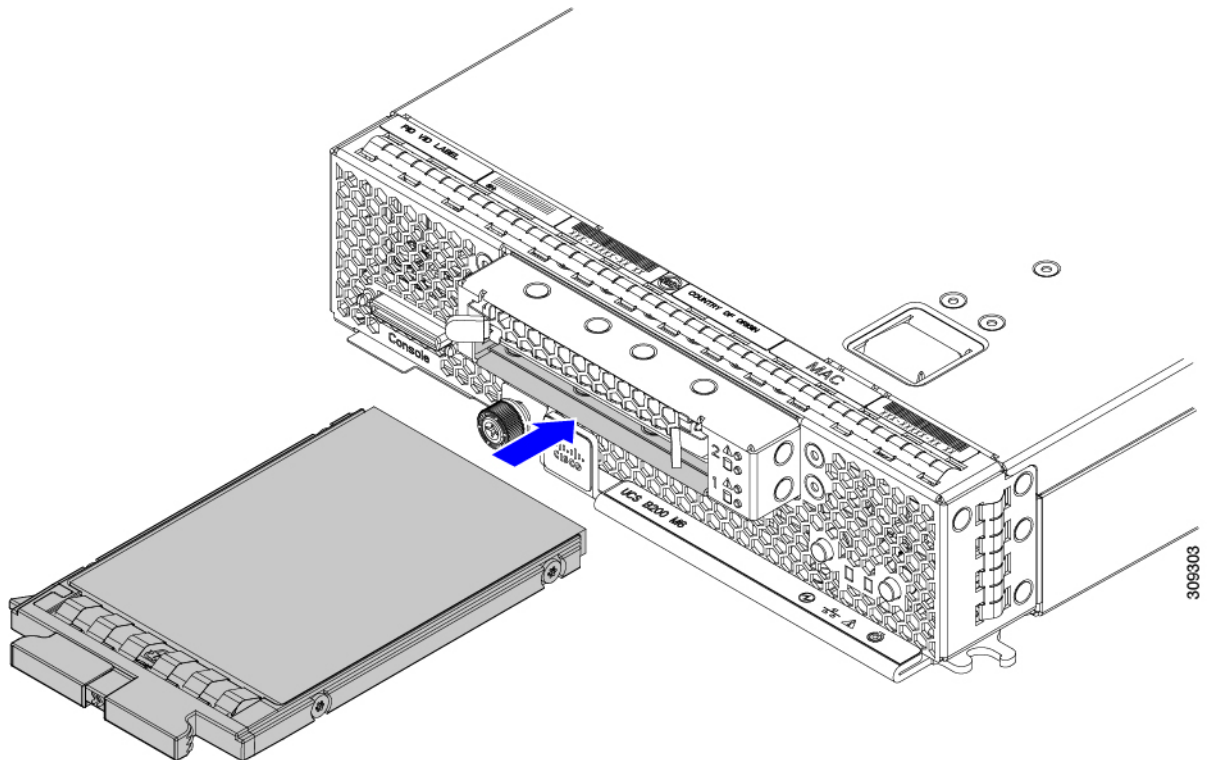
Reinstall a SATA SSD. See [Installing a 7 mm SATA SSD, on page 53](#).

Installing a 7 mm SATA SSD

If you removed a 7 mm SATA SSD, use this procedure to install another 7 mm SATA SSD.

Procedure

- Step 1** Check the drive label to ensure that you are installing a SATA SSD.
- Step 2** Check the label on the faceplate to verify that the SSD is not upside down.
As a safeguard, the drives are designed with keys to enforce proper installation.
- Step 3** Holding the SSD level, align it with the empty drive bay, then slide the SSD completely into the drive bay.



Removing an NVMe Drive

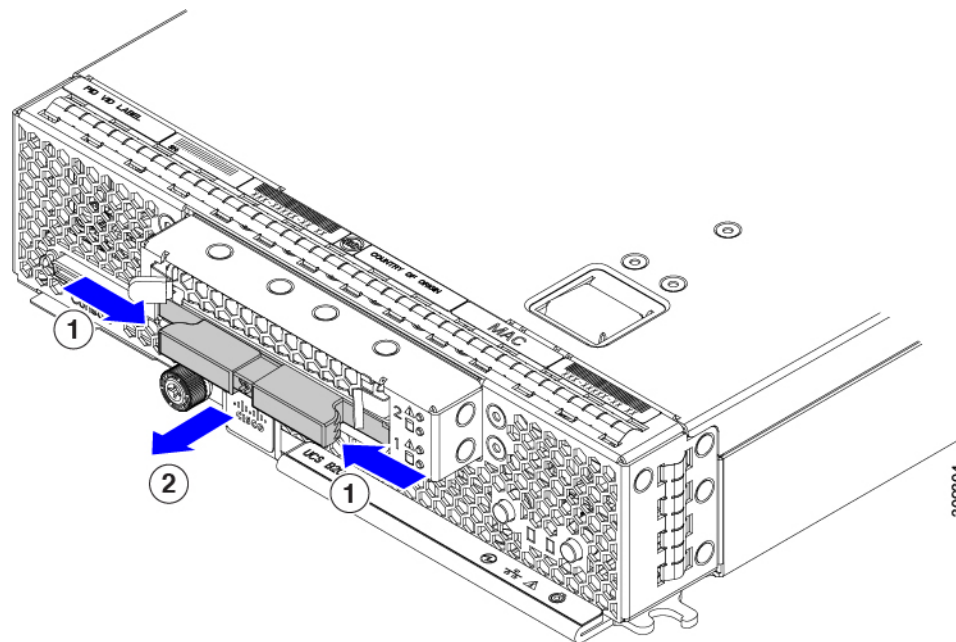
Front facing NVMe drives are hot pluggable/hot swappable. Use this procedure to remove an NVMe drive.



Caution NVMe drives are physically and visually the same as SATA drives except for the label on the drive faceplate. When you remove an NVMe drive, make sure to install another NVMe drive.

Procedure

Grasp the drive by its finger holds and slide it out of the drive bay.



What to do next

Reinstall an NVMe drive. See [Installing an NVMe Drive, on page 55](#).

Installing an NVMe Drive

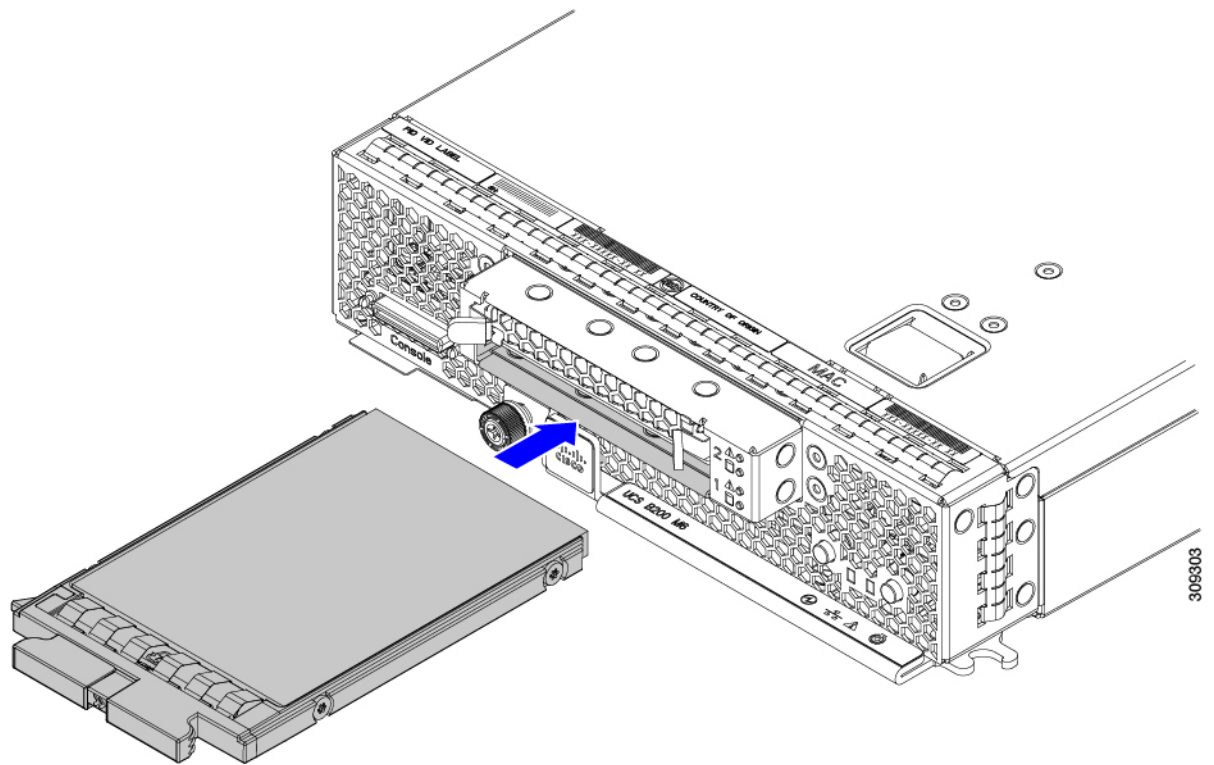
If you removed an NVMe drive, use this procedure to install another NVMe drive.



Caution An NVMe drive are physically and visually the same as a SATA drive except for the label on the drive faceplate. Only install an NVMe drive into a bay where you removed a NVMe drive.

Procedure

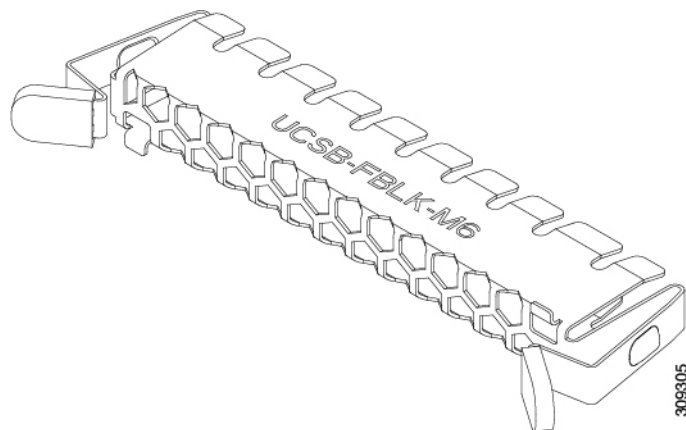
- Step 1** Check the drive label to ensure that you are installing a NVMe drive.
- Step 2** Orient the drive so that the gasket is facing up.
Also, you can check the label on the faceplate to verify that the drive is oriented correctly.
- Step 3** Holding the drive level, align it with the empty drive bay, then slide the drive in until it no longer moves.



Replacing a Front Mezzanine Drive Blank

The Cisco UCS B200 M6 blade has two drive bays on the blade faceplate. A minimum of one drive must be installed.

A front mezzanine drive blank (UCSB-FBLK-M6) must be installed in any empty drive bay. Do not operate the blade with an empty drive bay.



To replace a front mezzanine drive blank, use the following procedures:

- [Removing a Drive Blank, on page 57](#)
- [Installing a Drive Blank, on page 58](#)

Removing a Drive Blank

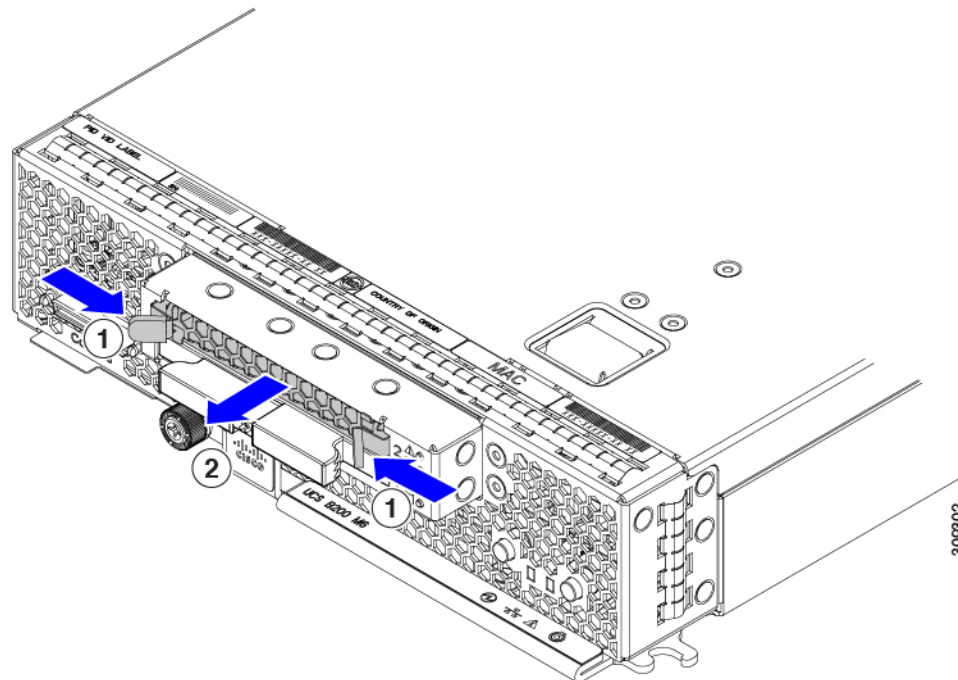
Drive blanks are accessible from the front of the blade. Use this procedure to remove a drive blank (UCSB-FBLK-M6).



Note Do not operate the blade with an empty drive bay. Always install a drive blank in a drive bay that does not have a drive installed.

Procedure

- Step 1** Pinch the two retaining tabs towards each other.
- Step 2** While holding the retaining tabs inward, pull the drive blank out of the drive bay.



What to do next

Choose the appropriate option:

- Install a front-loading 7 mm SATA SSD. See [Installing a 7 mm SATA SSD, on page 53](#).
- Install a drive blank. See [Installing a Drive Blank, on page 58](#).

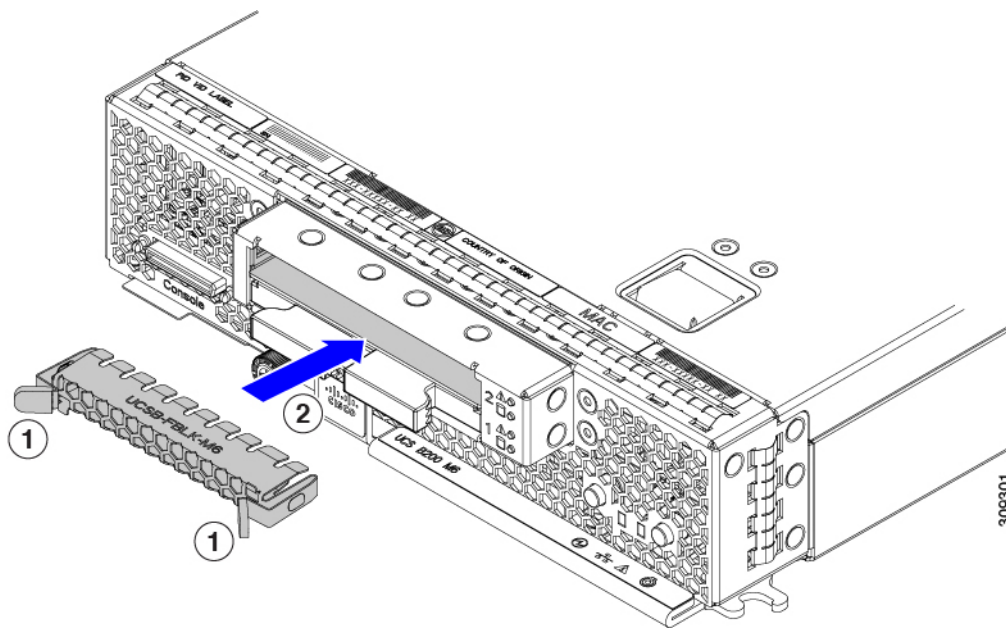
Installing a Drive Blank

The blade has two drive bays accessible from the front of the blade. In a minimum configuration, the blade has one drive installed and one empty drive bay. Any empty drive bay must have a drive blank installed (UCSB-FBLK-M6). Do not operate the blade without a drive blank installed in an empty drive bay.

Use this procedure to install a drive blank.

Procedure

- Step 1** Grasp the drive blank by the retaining tabs.
- Step 2** Holding the drive blank level, align it with the empty drive bay and slide it into the bay until it no longer moves.



Removing the Trusted Platform Module (TPM)

The TPM module is attached to the printed circuit board assembly (PCBA). You must disconnect the TPM module from the PCBA before recycling the PCBA. The TPM module is secured to a threaded standoff by a tamper-resistant screw. If you do not have the correct tool for the screw, you can use a pair of pliers to remove the screw.

Before you begin

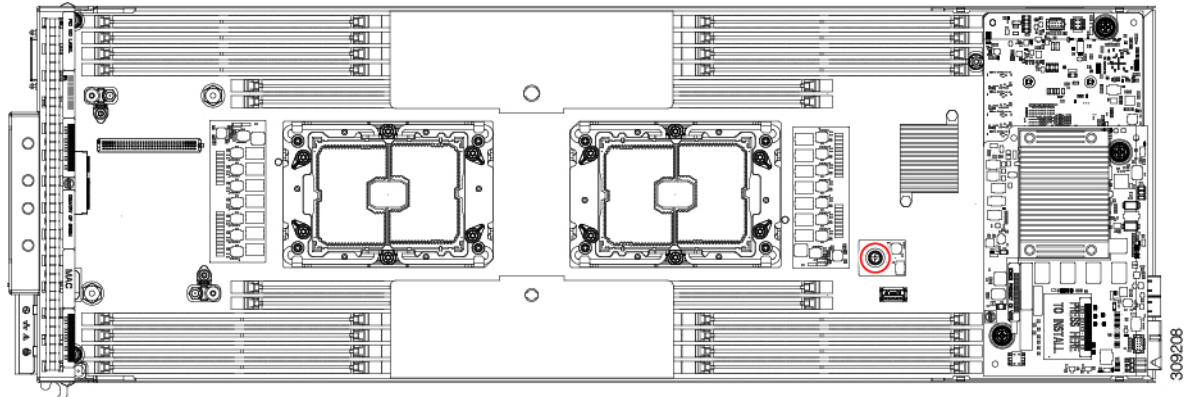
Note For Recyclers Only! This procedure is not a standard field-service option. This procedure is for recyclers who will be reclaiming the electronics for proper disposal to comply with local eco design and e-waste regulations.

To remove the Trusted Platform Module (TPM), the following requirements must be met for the server:

- It must be disconnected from facility power.
- It must be removed from the equipment rack.

Procedure

Step 1 Locate the TPM module.



Step 2 Using a 6 mm slotted screwdriver or pliers, loosen the TPM screw and remove the TPM from the motherboard.

Step 3 Dispose of the TPM properly.

What to do next

Remove and dispose of the PCB Assembly. See [Recycling the PCB Assembly \(PCBA\)](#), on page 59.

Recycling the PCB Assembly (PCBA)

Each blade server has a PCBA that is connected to the blade server's faceplate and sheet metal tray. You must disconnect the PCBA from the blade server's faceplate and tray to recycle the PCBA. Each blade server is attached to the faceplate and tray by the following:

- Faceplate: Two M3 3mm screws.
- Tray:
 - Five M3 screws

- Seven hex nut standoffs

You will need to recycle the PCBA for each blade server.

Before you begin



Note **For Recyclers Only!** This procedure is not a standard field-service option. This procedure is for recyclers who will be reclaiming the electronics for proper disposal to comply with local eco design and e-waste regulations.

To remove the printed circuit board assembly (PCBA), the following requirements must be met:

- The server must be disconnected from facility power.
- The server must be removed from the server chassis.

You will find it helpful to gather the following tools before beginning this procedure:

- Screwdrivers: One each of T10 and T30 Torx; Phillips #1 and #2; 8mm and 3 mm slotted.
- Hex nut drivers: One each of 8 mm and 4.5 mm.

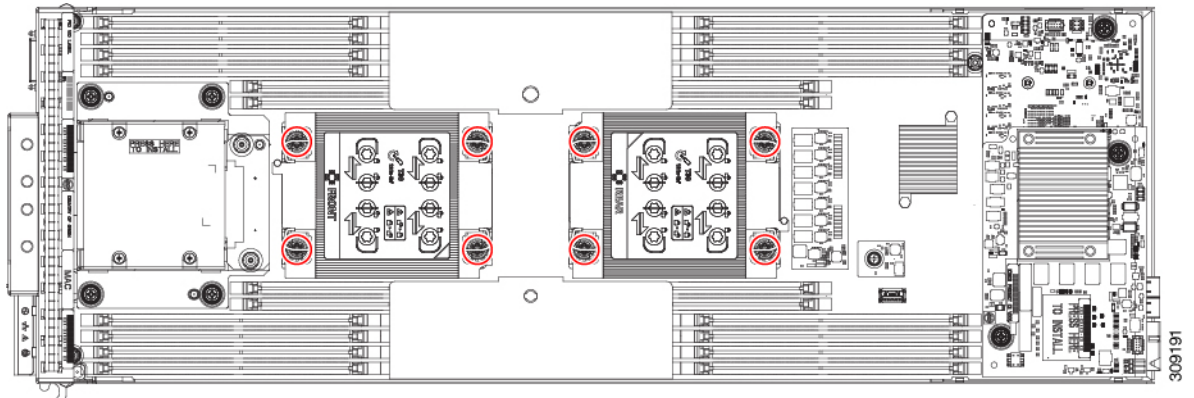
Procedure

Step 1

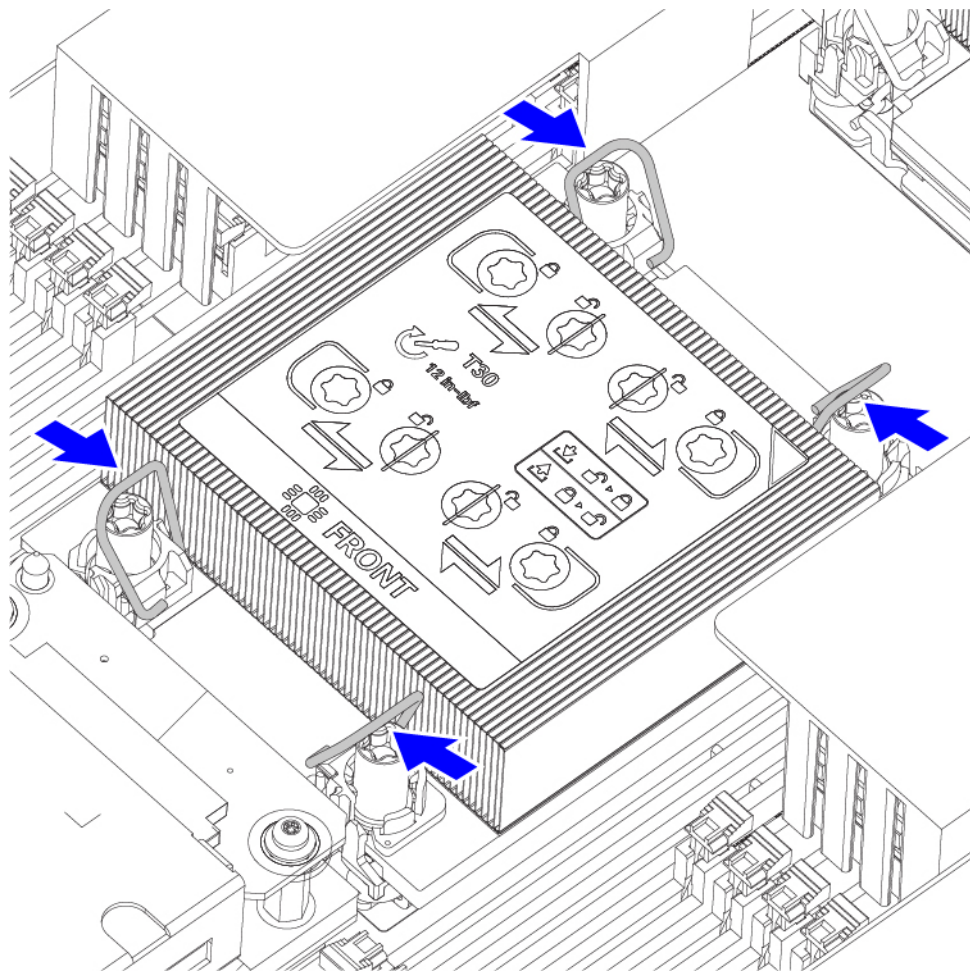
(Optional) If the CPUs and heatsinks are still installed, remove them.

Note This step outlines removing the CPU and heatsink, if required. For detailed instructions about how to remove the CPU, see [Removing CPUs and Heatsinks, on page 20](#).

- Using a T30 Torx screwdriver, loosen the eight captive screws.



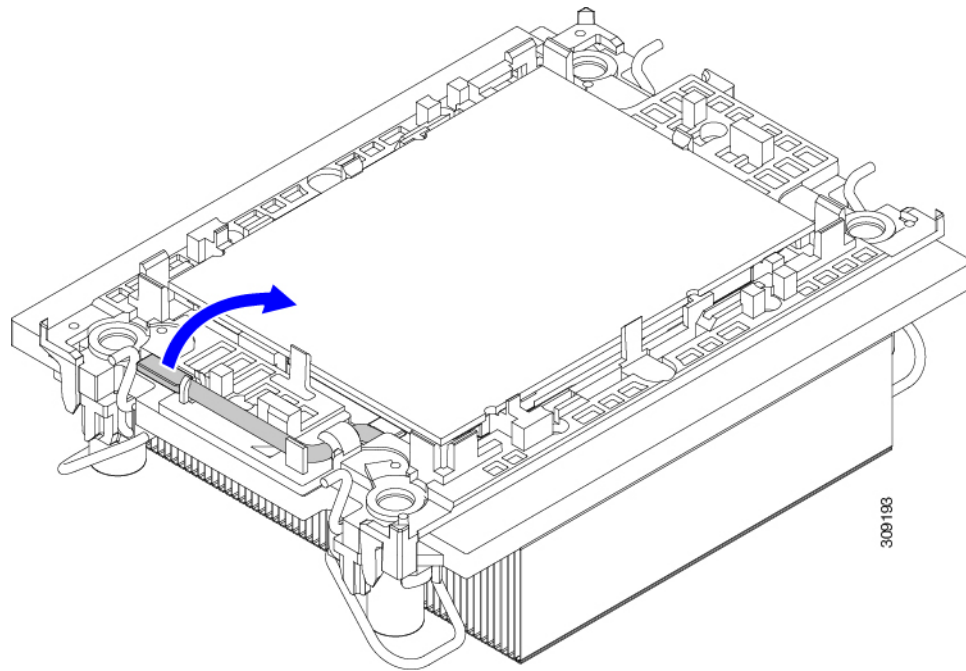
- For each CPU, push the retaining wires toward each other (inwards) to unlock the CPU and heatsink.



300102

- c) Remove each CPU from the motherboard and flip each CPU upside down.
- d) Locate the TIM breaker and rotate it 90 degrees to break the thermal grease and disconnect the CPU from the heatsink.

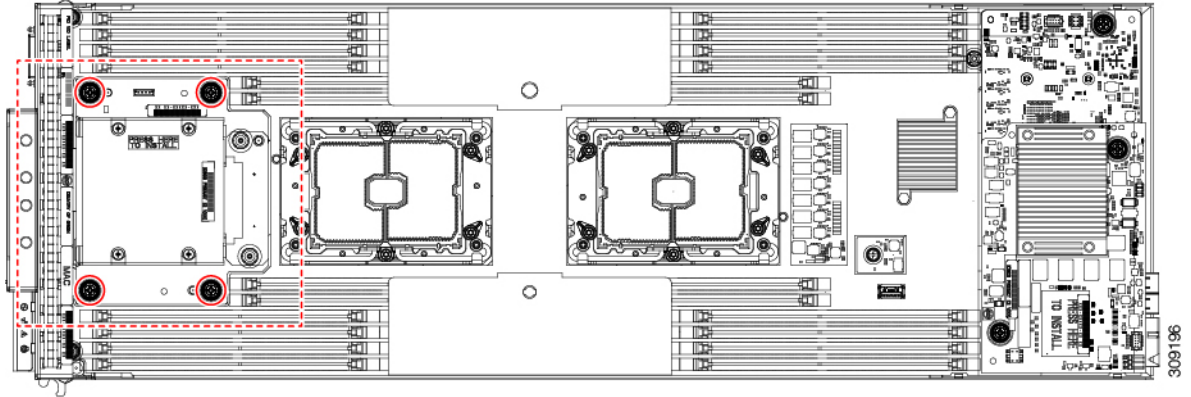
Caution Do not rotate the TIM breaker past 90 degrees.



e) Flex the CPU carrier enough to disengage the retaining clips around each edge.

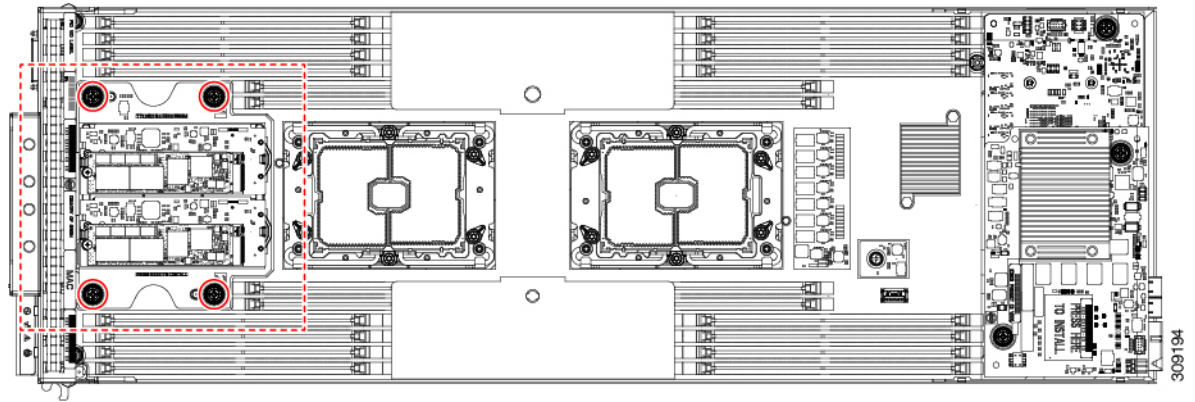
Step 2

(Optional) If the front mezzanine module for 12 G SAS is still installed, use a #2 Phillips screwdriver and remove it.

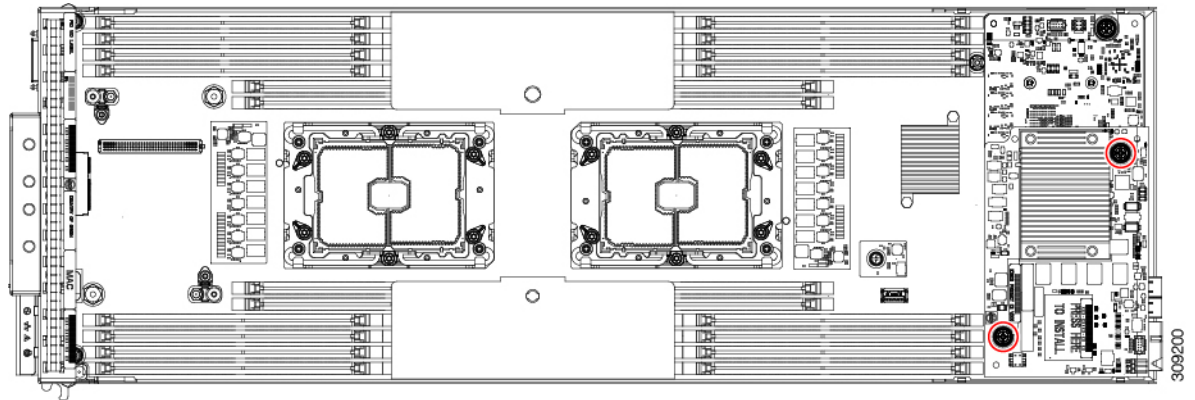


Step 3

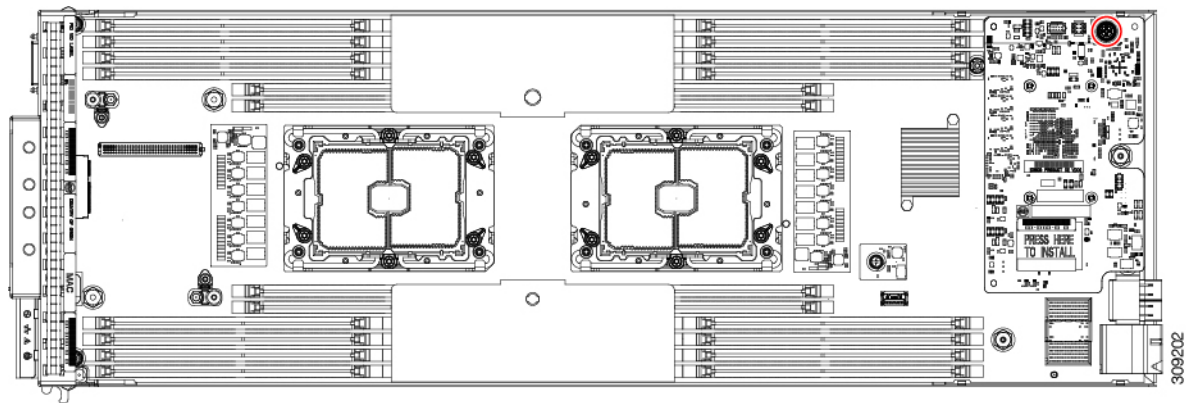
(Optional) If the front mezzanine module for M.2 min storage is still installed, use a #2 Phillips screwdriver and remove it.



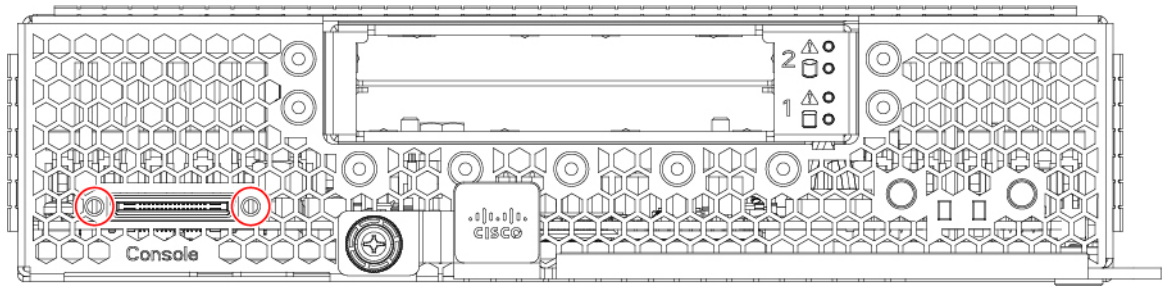
Step 4 (Optional) If the rear mezzanine module is still installed, use a #2 Phillips screwdriver and remove it.



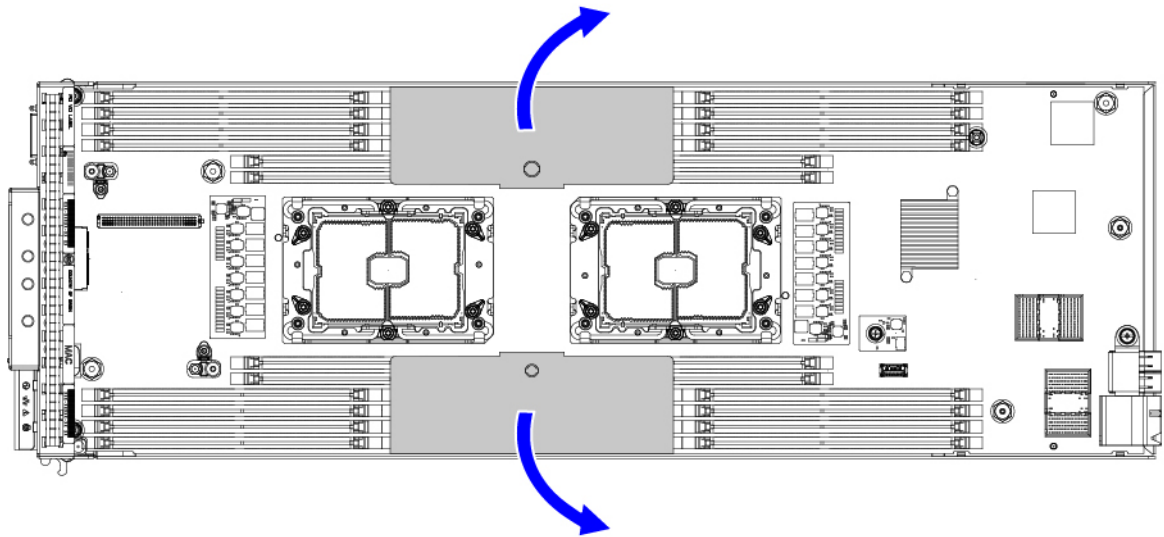
Step 5 Using a #2 Phillips screwdriver, unscrew the captive screw and remove the mLOM VIC.



Step 6 Using a 3mm slotted screwdriver, rotate each of the M3 faceplate screws counter clockwise until it disengages.



Step 7 For each DIMM air baffle, grasp it and disconnect it from the blade.

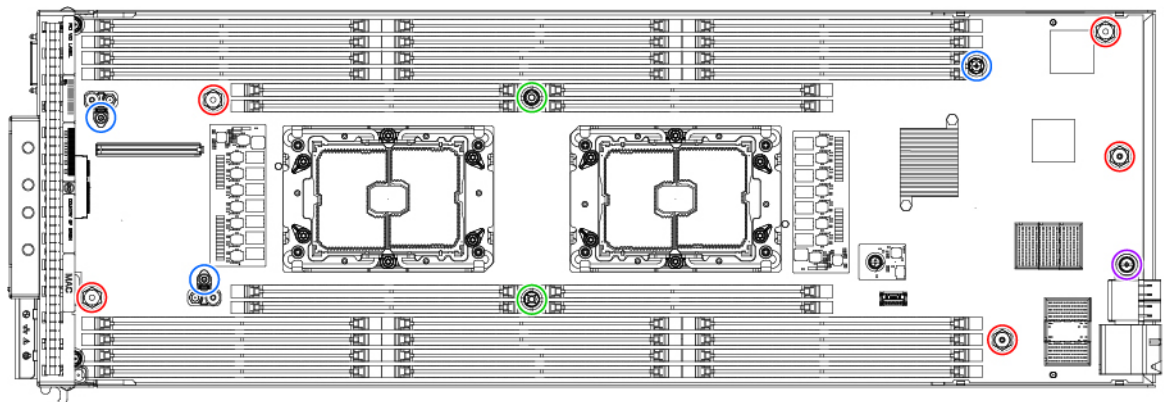


Step 8 Remove the TPM.

See [Removing the Trusted Platform Module \(TPM\)](#), on page 58.

Step 9 Disconnect the motherboard from the blade sheet metal:

- a) Using an 8 mm hex nut driver, remove the 8mm standoffs.
- b) Using a 4.5 mm hex nut driver, remove the 4.5mm standoffs.
- c) Using a T10 Torx screwdriver, remove the M3 screws.
- d) Using a #1 Phillips screwdriver, remove the retaining screw.



Red circles (○)	8 mm standoffs (5)
Green circles (○)	4.5 mm standoffs (2)
Blue circles (○)	M3 screws (3)
Purple circle (○)	Retaining screw (1)

Step 10

Recycle the motherboard in compliance with your local recycling and e-waste regulations.



APPENDIX **A**

Technical Specifications

This appendix contains the following topics:

- [Physical Specifications for the Cisco UCS B200 M6, on page 67](#)

Physical Specifications for the Cisco UCS B200 M6

The physical specifications for the blade server are listed below. For environmental specifications, see [Cisco UCS 5108 Blade Server Chassis Installation Guide: Technical Specifications](#).

Specification	Value
Height	1.95 inches (50 mm)
Width	8.35 inches (212 mm)
Depth (length)	24.4 inches (620 mm)
Weight	Server base weight = 10.0 lbs (4.54 kg) Minimally configured server (One CPU with 1 DIMM) = 10.1 lbs (4.58 kg) Fully configured server = 18.1 lbs. (8.21 kg)

