



CHAPTER 9

Dial Plan

Revised: April 30, 2013; OL-27282-05

The dial plan is one of the key elements of a Unified Communications system, and an integral part of all call processing agents. Generally, the dial plan is responsible for instructing the call processing agent on how to route calls. Specifically, the dial plan performs the following main functions:

- Endpoint addressing

Reachability of internal destinations is provided by assigning directory numbers (DNs) to all endpoints (such as IP phones, fax machines, and analog phones) and applications (such as voicemail systems, auto attendants, and conferencing systems)

- Path selection

Depending on the calling device, different paths can be selected to reach the same destination. Moreover, a secondary path can be used when the primary path is not available (for example, a call can be transparently rerouted over the PSTN during an IP WAN failure).

- Calling privileges

Different groups of devices can be assigned to different classes of service, by granting or denying access to certain destinations. For example, lobby phones might be allowed to reach only internal and local PSTN destinations, while executive phones could have unrestricted PSTN access.

- Digit manipulation

In some cases, it is necessary to manipulate the dialed string before routing the call; for example, when rerouting over the PSTN a call originally dialed using the on-net access code, or when expanding an abbreviated code (such as 0 for the operator) to an extension. Digit manipulation is also used to adapt the local dialing habits of a user to the global routes used to select a path for a call. For example, a French user may dial 0 00 1 212 555 1234 to call a number in New York. That same number is reachable to a caller in Chicago by dialing 9 1 212 555 1234. Both localized user inputs can be translated to a global form of +1 212 555 1234, so that a single route is used to select a path for the call.

- Call coverage

Special groups of devices can be created to handle incoming calls for a certain service according to different rules (top-down, circular hunt, longest idle, or broadcast). The dial plan information covered in this chapter applies to any Unified Communications deployment model; in particular, when deploying multi-site systems, the system designer should pay close attention to the site-specific dialing habits as well as site-specific routing of calls, such as the use of a gateway co-located with a specific group of users.

This chapter presents information intended to guide the system designer toward a dial plan that accommodates the legacy dialing habits of telephony users, while also taking advantage of new functionality afforded by the increasing integration between computing technology and telephony, such as dialing from contacts, click-to-call actions from computers and smart phones, and adoption of mobility-related features. The chapter is structured to offer information of the following main areas:

- [Planning Considerations, page 9-4](#)

This section analyzes the thought process involved in planning an IP Telephony dial plan, ranging from the number of digits used for internal extensions to the overall architecture of a company's internal dial plan. (Prerequisite: Some familiarity with dial plans in general.)

- [Design Considerations, page 9-11](#)

This section contains design and deployment guidelines related to multisite IP Telephony networks, endpoint addressing methods, approaches to building classes of service, and call coverage functionality. (Prerequisite: A working knowledge of Cisco Unified Communications Manager and Cisco IOS is recommended.)

- [Dial Plan Elements, page 9-84](#)

This section provides detailed background explanations of the elements of a Cisco Unified Communications dial plan. Covered topics include call routing logic, calling privileges, and digit manipulation techniques for various Cisco products. (Prerequisite: A working knowledge of Cisco Unified Communications Manager and Cisco IOS is recommended.) This section does not supersede product-specific documentation, nor does it present all the information available in the Cisco Unified Communications Manager help files. It does highlight some fundamental functionality elements essential to the understanding of design-related concepts presented herein.

For more details, refer to the *Cisco Unified Communications Manager System Guide*, the *Cisco IOS Voice, Video, and Fax Configuration Guide, Release 12.2*, and other product documentation available at

<http://www.cisco.com>

What's New in This Chapter

[Table 9-1](#) lists the topics that are new in this chapter or that have changed significantly from previous releases of this document.

Table 9-1 *New or Changed Information Since the Previous Release of This Document*

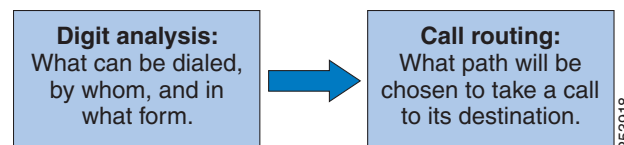
New or Revised Topic	Described in	Revision Date
A few minor corrections and changes	Various sections	April 30, 2013
Calling party transformations	Calling Party Transformations on IP Phones, page 9-85	October 31, 2012
Case sensitivity of URI dialing	Case Sensitivity, page 9-79	October 31, 2012
SAF Forwarder CLI configuration	SAF Forwarders, page 9-154	September 28, 2012
Minor correction for blocked patterns	Globalized Numbers and Class of Service, page 9-62	August 31, 2012
Calling party number globalization	Phone Calling Party Number Globalization, page 9-17	June 28, 2012
Calling party number in missed and received calls directories on Type-A phones	Phone Calling Party Number Localization, page 9-20	June 28, 2012

Table 9-1 New or Changed Information Since the Previous Release of This Document (continued)

New or Revised Topic	Described in	Revision Date
Class of service in +E.164 dial plans	Building Classes of Service for Unified CM for +E.164 Dial Plans with the Traditional Approach and Local Route Group , page 9-66	June 28, 2012
URI dialing	Deploying Directory URI Dialing , page 9-78 Directory URIs , page 9-94	June 28, 2012
Routing SIP requests	Routing of SIP Requests in Unified CM , page 9-107	June 28, 2012
Various other updates for Cisco Unified Communications System Release 9.0	Numerous sections throughout this chapter	June 28, 2012

Dial Plan Architecture

Figure 9-1 illustrates the fundamental architecture of dial plans based on Cisco Unified Communications Manager (Unified CM).

Figure 9-1 Basic Dial Plan Architecture

The digit analysis function controls which calls are allowed to a user, to a gateway, or to an application. This function is where call privileges (also known as classes of service) are implemented. The following fundamental constructs are used to implement digit analysis:

- Patterns (such as directory number patterns and translation patterns)
Patterns are numerical representations of telephone numbers which, when matched, trigger call routing.
- Partitions
Partitions are used to separate patterns into logical groups. For instance, partitions allow the provisioning of two separate extensions set to 1000.
- Calling search spaces
Calling search spaces allow control over what groups of patterns a device (such as a phone) can access. For instance, devices at one site can be given access to the local partition containing extension 1000, without having access to a different site's extension 1000.

The call routing function controls the path selection for a call. This function is where IP trunks, PSTN trunks, or even connections to legacy PBXs, are chosen to carry a particular call. The call routing function also allows for the automated failover of calls from, for example, an IP connection as a first choice to a PSTN connection as a backup choice, in case the first choice is not available because no bandwidth is available or because a particular portion of the network is not available.

For both of these functions, Unified CM offers the system designer many tools with which digit manipulation can be effected and with which control over the call processing can be performed for different situations. For example, the system administrator can configure the types of calls allowed from a phone when it is roaming between different sites, how a call is processed when the phone is busy or when it rings with no answer, or which destinations a phone can use when call-forwarding all calls.

The fundamental elements of the individual features of this architecture are presented in multiple documents. The product-specific documentation, along with the help files in Unified CM, offer the most fundamental descriptions of the features. The section on [Dial Plan Elements, page 9-84](#), in this chapter offers the next level of functionality description. The section on [Design Considerations, page 9-11](#) in this document offers the system designer top-down architectural information to be considered when designing a dial plan.

High Availability for Dial Plans

In Cisco Unified CM, dial plan functionality is inherently made available by the clustering capabilities of Unified CM servers. All dial plan configuration is made redundant by the same mechanisms that allow other Unified CM services to be redundant. Specifically, Unified Communications Manager groups are used to control phones, route lists, and gateways, so that a single failure of a Unified CM server does not render any dial plan function unavailable.

For call paths relying on external trunks, an additional level of availability is afforded by the use of alternate routes. For instance, a route list can be used to establish a primary path to a given off-cluster destination, followed by a secondary or even a tertiary choice. If the higher-order choice (such as an IP trunk) is not available, the next order choice will be attempted, until either the call is established successfully or all preconfigured choices have been exhausted.

For calls between on-cluster endpoints, such as calls between two IP phones, if the IP path is not available due to a network failure, the Call Forward Unregistered feature is invoked, allowing the routing of the call through an alternate network such as the PSTN. If the IP path is not available due to lack of bandwidth on the network, the Automated Alternate Routing (AAR) feature is invoked to route the call through an alternate network.

External dial plan resolution subsystems such as H.323 gatekeepers or SIP proxies should also be provisioned with applicable redundancy capabilities, to offer yet another level of high availability.

Capacity Planning for Dial Plans

The configuration of dial plans is typically not onerous on the Unified CM configuration when compared to other capacity-affecting aspects such as the number of gateways, the number of CTI connections, or the rate of call attempts (BHCA). The Cisco Unified Communications Sizing Tool does incorporate dial plan information in its calculations for system provisioning. This tool is available to Cisco employees and partners, with proper login authentication, at <http://tools.cisco.com/cucst>.

Planning Considerations

The dial plan is the most fundamental attribute of a telephony system. It is at the very core of the user experience because it defines the rules that govern how a user reaches any destination. These rules include:

- Extension dialing — how many digits must be dialed to reach an extension on the system

- Extension addressing — how many digits are used to identify extensions
- Dialing privileges — allowing or not allowing certain types of calls
- Path selection — for example, using the IP network for on-net calls, or using one carrier for local PSTN calls and another for international calls
- Automated selection of alternate paths in case of network congestion — for example, using the local carrier for international calls if the preferred international carrier cannot handle the call
- Blocking of certain numbers— for example, pay-per-minute calls
- Transformation of the called number — for example, retaining only the last five digits of a call dialed as a ten-digit number
- Transformation of the calling number — for example, replacing a caller's extension with the office's main number when calling the PSTN

A dial plan suitable for an IP telephony system is not fundamentally different from a dial plan designed for a traditional TDM telephony system; however, an IP-based system presents the dial plan architect with some new possibilities. For example, because of the flexibility of IP-based technology, telephony users in separate sites who used to be served by different, independent TDM systems can now be included in one, unified IP-based system. These new possibilities afforded by IP-based systems require some rethinking of the way we look at dial plans. This section examines some of the elements that the system planner must consider to properly establish the requirements that drive the design of the dial plan.

Dialed Pattern Recognition

Digit strings dialed by a user on a telephone generally follow patterns. For instance, many enterprises implement a five-digit abbreviated dialing pattern for calls made within the same office location. Also, many enterprises rely on a single-digit access code to represent outside dialing, followed by some quantity of digits to reach a local PSTN number or a long-distance PSTN number (for example, 9 followed by seven digits to reach a local number, or 9 followed by 1 and ten digits to reach a long-distance destination).

The system administrator must plan the system's recognition of these patterns to ensure that the system will act promptly upon detection of a string that corresponds to a predetermined pattern so that users experience no (or minimal) post-dialing delay.

For phones using the Skinny Client Control Protocol (SCCP) and for SIP phones using the Key Press Markup Language (KPML) during dialing, you can implement pattern recognition in Cisco Unified Communications Manager (Unified CM) by configuring route patterns, translation patterns, phone DNs, and so forth. With each digit dialed by the user, the phone sends a signaling message to Unified CM, which performs the incremental work of recognizing a matching pattern. As each key press from the user input is collected, Unified CM's digit analysis provides appropriate user feedback, such as:

- Playing dial tone when the phone first goes off-hook
- Stopping dial tone once a digit has been dialed
- Providing secondary dial tone if an appropriate sequence of digits has been dialed, such as when the off-net access code 9 is dialed

Once digit dialing is completed, Unified CM provides user feedback in the form of call progress tones, such as ringback tone if the destination is in the alerting stage or reorder tone if the destination is invalid.

IP phones running the Session Initiation Protocol (SIP) can be configured with pattern recognition instructions called SIP dial rules. When used, they accomplish the bulk of the task of pattern recognition within the phone. Once a pattern is recognized, the SIP phone sends an invitation to Unified CM to place a call to the number corresponding to the user's input. That action, called a SIP INVITE, is subjected to

the Unified CM dial plan in the same way a call from an IP phone running the SCCP protocol would be, except that Unified CM's digit analysis is presented with a completed dial string (that is, all of the digits entered by the user are presented as a block to Unified CM for processing). In this mode of operation, user feedback during the dialing of the digit string is limited to what the phone can provide (see [SIP Dial Rules, page 9-90](#)). Once the string has been composed, user feedback can still be provided by Unified CM in the form of call progress tones.

Grouping by Dialing Habits

Most telephony users are used to dialing telephone numbers according to local habits. These are composed of various dialing rules applicable to calls placed to destinations within an office location (intra-site calls), destinations within a company but between different sites (inter-site calls), and destinations outside the company (off-net calls). The form used in dialing these different types of calls varies according to user preferences and local PSTN dialing requirements.

On-Net versus Off-Net Dialing

Calls that originate and terminate on the same telephony network are considered to be on-network (or on-net). By contrast, if a call originates in company A and terminates at company B, it probably has to be routed through different telephony networks: first company A's network, followed by the PSTN, and finally into company B's network. From the caller's perspective, the call was routed off-network (or off-net); from the called party's perspective, the call originated off-net.

In TDM systems, the on-net boundaries of a telephony system are established by the PBX or Centrex system, and they typically do not extend outside of a single site. When they do, they typically do not include sites not immediately on the periphery of a large system hub.

One of the key attributes of IP telephony is its ability to expand the boundaries of calls that can be considered on-net. For instance, telephony users in an enterprise with six dispersed branch offices might be used to reaching one colleague with abbreviated dialing (for example, four-digit dialing) if the called party is located in the same site but dialing a full PSTN number to reach another colleague located in a different site. With an IP-based system where all users are served by the same IP network, it now becomes economically feasible to unite all six branches under a four-digit abbreviated dialing plan, with the IP network as the preferred path and automated overflow to the PSTN as a secondary path if the IP network is congested.

Abbreviated Dialing

Consider an extension with direct inward dial (DID) capability, which can be reached directly from the PSTN. An off-net PSTN caller has to dial the fully qualified PSTN number (for example, 1 415 555 1234) to reach a DID extension. An on-net caller might, however, prefer the ability to reach that same extension by simply dialing the last few digits of the DID number. In a four-digit abbreviated dial plan, the on-net caller would dial only 1234 in this example to reach the same extension.

Dialing can typically be separated into four types:

- Intra-site, on-net abbreviated dialing

Many systems accommodate four- or five-digit dialing within a site. For example, Cisco employees located in San Jose, California can call the main Cisco reception number using the five-digit string 64000.

- Inter-site, abbreviated on-net dialing

For example, Cisco employees at any Cisco office can dial the San Jose reception number as 8 526 4000. The digit 8 serves as the inter-site access code, and 52 serves as the site code for San Jose.

This form is shorter than the alternative of using an off-net form to route the calls on-net (for example, allowing Cisco employees in Canada to reach the Cisco reception in San Jose by dialing 9 1 408 526 4000 while routing the call on-net). Even though the dialing form is similar to that used to reach an off-net destination, the system is configured to keep calls to on-net destinations dialed in the off-net form within the system.

- Inter-site, off-net dialing

Routing of calls between sites can be handed off to the PSTN. For example, calls made from one site in San Francisco to another site in New York can be dialed either in the on-net or off-net form described above, but routed off-net through the PSTN.

- Off-net dialing

For calls where the destination is off-net and outside of the company's dial plan, the Unified Communications system must offer a simple, locally significant dialing form to the users.

Avoiding Overlap of Extension Dialing

A telephony system must be configured so that any extension can be reached in an unambiguous manner. To accomplish this goal, the dial plan must satisfy the following requirements:

- All on-net extension dialing must be globally unique. For instance, in a system using an abbreviated four-digit on-net dial plan, there cannot be an extension 1000 in site A and another extension 1000 in site B if the requirement is to reach either of them by dialing only four digits from site C.
- There cannot be any partial overlap between different dial strings.
 - For instance, if 9 is used as an off-net access code in a four-digit abbreviated dial plan (for example, to make PSTN calls), there cannot be any extensions in the 9XXX range. Attempting to do so would create situations where calls are not routed immediately. For example, if a user dialed 9141, the system would have to wait for either more digits (if the user were dialing 9 1 415 555 1234, for example) or the expiration of the interdigit timeout before routing the call to extension 9141. Likewise, if an operator code is used (for example, 0), the entire 0XXX extension range would have to be excluded from a four-digit uniform dial plan.
 - There cannot be overlapping strings of different length. For example, a system with extensions 1000 and 10000 would force users to wait for the interdigit timeout when they dial 1000.

Dialing String Length

The number of dialable extensions determines the quantity of digits needed to dial extensions. For example, a four-digit abbreviated dial plan cannot accommodate more than 10000 extensions (from 0000 to 9999). If 0 and 9 are reserved as operator code and off-net access code, respectively, the number range is further reduced to 8000 (1000 to 8999).

Uniform On-Net Dial Plan

A dial plan can be designed so that all extensions within the system are reached in a uniform way; that is, a fixed quantity of digits is used to reach a given extension from any on-net origination point. Uniform dialing is desirable because of the simplicity it presents to users. A user does not have to remember different ways to dial a number when calling from various on-net locations.

For example, if phone A is reached by dialing 1234 from any on-net location, whether the calling phone is in the same office or at a different site, the enterprise's dial plan is deemed uniform.

When the enterprise consists of few sites, this approach can be used with few complications. The larger the enterprise, in terms of number of extensions and sites, the more of the following challenges it faces in designing a uniform dial plan:

- The number of extensions can exceed the range afforded by the quantity of digits being considered for the dial plan. For instance, if more than 8000 extensions are required (considering the exclusions of the 0XXX and 9XXX ranges), the system may require that an abbreviated dial plan use more than four digits.
- Matching on-net abbreviated extensions to DID numbers means that, when a new DID range is obtained from a local exchange carrier, it cannot conflict with the pre-existing on-net abbreviated dial ranges. For example, if the DID range of 415 555 1XXX exists in a system using a four-digit uniform abbreviated dial plan, and DID range 650 556 1XXX is also being considered, it might be desirable to increase the quantity of digits for on-net dialing to five. In this example, the five-digit on-net ranges 51XXX and 61XXX would not overlap.
- Most systems require the exclusion of certain ranges due to off-net access codes and operator dialing. In such a system where 9 and 0 are reserved codes, no dial plan (uniform or not) could accommodate on-net extension dialing that begins with 9 or 0. This means that DID ranges could not be used if they would force the use of 9 or 0 as the first digit in the dial plan. For instance, in a five-digit abbreviated dial plan, the DID range 415 559 XXXX (or any subset thereof) could not be used. In this example, alternatives include increasing the length of the abbreviated dialing to six or more digits, or avoiding any DID range whose last five digits start with 9, or even not requiring that the DID numbers match the on-net abbreviated extensions.

Once a given quantity of digits has been selected and the requisite ranges have been excluded (for example, ranges beginning with 9 or 0), the remaining dialing space has to be divided between all sites.

Most systems require that two ranges be excluded, thus leaving eight different possibilities for the leading digit of the dial range. [Table 9-2](#) exemplifies the distribution of the dialing space for a typical four-digit uniform dial plan.

Table 9-2 *Distribution of Digits in a Typical Four-Digit Uniform Dial Plan*

Range	Use	DID Ranges	Non-DID Ranges
0XXX	Excluded; 0 is used as off-net access code		
1XXX	Site A extensions	418 555 1XXX	N/A
2XXX	Site B extensions	919 555 2XXX	N/A
3XXX	Site C extensions	415 555 30XX	3[1-9]XX
4[0-4]XX	Site D extensions	613 555 4[0-4]XX	N/A
4[5-9]XX	Site E extensions	450 555 4[5-9]XX	N/A
5XXX	Site A extensions	418 555 5XXX	N/A

Table 9-2 *Distribution of Digits in a Typical Four-Digit Uniform Dial Plan (continued)*

Range	Use	DID Ranges	Non-DID Ranges
6XXX	Site F extensions	514 555 6[0-8]XX	69XX
7XXX	Future	XXX XXX 7XXX	7XXX
8XXX	Future	XXX XXX 8XXX	8XXX
9XXX	Excluded; 9 is used as off-net access code		

For the example in [Table 9-2](#), the various sites were assigned numbers in the following ways:

- Site A, the company headquarters, requires more than 1000 extensions, so two entire ranges of numbers have been retained (1XXX and 5XXX). Note that the corresponding DID ranges must also be retained from the site's local exchange carrier.
- Site B has been assigned an entire range (2XXX), allowing for up to 1000 extensions.
- Site C was also assigned an entire range, but it has been split between 100 DID extensions (415 555 30XX) and up to 900 non-DID extensions. If growth requires more extensions for DID, any unassigned numbers from the non-DID range could be used.
- Sites D and E were each assigned 500 numbers from the 4XXX range. Note that their corresponding DID ranges must match each of the site's respective portions of the 4XXX range. Because the DID ranges are for different sites (probably from different PSTN service providers), more coordination effort is required to split ranges between sites. As the quantity of sites assigned within a given range increases, it becomes increasingly difficult (sometimes impossible) to make full use of an entire range.
- Site F's range is split between 900 DID numbers (6[0-8]XX) and 100 non-DID numbers (69XX).
- The ranges 7XXX and 8XXX are reserved for future use.

When implementing a new dial plan, one of the main desires of any planner is to avoid having to change phone numbers. In addition, the extension ranges of any existing phone systems may have overlapped without any problems in the past, but they could be incompatible with a uniform dial plan.

Variable Length On-Net Dial Plan

Systems with many sites or overlapping site extension ranges can benefit from the use of a variable-length dial plan with the following characteristics:

- Within a site, the system retains the use of abbreviated dialing for calls to on-net extensions (for example, four-digit dialing).
- Between sites, users dial an access code followed by a site code and the destination's on-net extension.
- Off-net calls require an access code followed by a PSTN number.

The use of access and site codes (see [Table 9-3](#)) enables the on-net dial plan to differentiate between extensions that would overlap if a uniform abbreviated dial plan were implemented.

Table 9-3 Typical Use of Site Codes

Site Code	Range	Use	DID Ranges	Non-DID Ranges
1	1XXX	Site A extensions	418 555 10XX	1[1-9]XX
2	1XXX	Site B extensions	919 555 1XXX	N/A
3	1XXX	Site C extensions	907 555 1XXX	N/A

In [Table 9-3](#), sites A, B, and C are independently assigned the four-digit range 1XXX. For calls from site A to site B under the old telephony system, the calls had to be routed as off-net calls. With the new system, these calls can be dialed as on-net calls.

From site A, users simply dial 1234 to reach extension 1234. But from site B, the dial plan must accommodate the ability to reach extension 1234 at site A without conflicting with site B's own extension 1234. Therefore, each site is assigned a site code.

From site B, merely dialing the combination of site A's code with the desired extension is not feasible: in this case because 11234 would partially overlap with site B's extension 1123, thus causing interdigit timeout issues. If, instead, we assign 8 as an inter-site on-net access code, this would allow site B to dial 81234 to reach site A's extension 1234.

The following factors determine the quantity of digits required to dial an on-net, off-site extension:

- One digit for the inter-site access code
- N digits for the site code, where N is chosen to satisfy the quantity of site codes required (For example, if a system has 13 sites, then a minimum of two digits are required for the site code.)
- The quantity of digits required by the destination site's local dial plan

For example, a system with 75 sites which each use four-digit abbreviated dialing would require a format of 8 + SS + XXXX, where 8 is the on-net access code, SS is a two-digit site code, and XXXX is a four-digit extension number, giving a total of seven digits.

On-Net and Off-Net Access Codes

It is common practice in most enterprise telephony systems to dedicate a digit (for example, 9) as an off-net access code to steer calls to an off-net destination. In the variable-length on-net dial plan, another steering digit (for example, 8) is also required as an on-net access code to dial calls to on-net extensions at other sites. These two access codes, along with the use of an operator access code (for example, 0), implicitly exclude three of the ten possible leading digits of any dialed string. This restriction might not prove convenient for either of the following reasons:

- The users would be required to know the difference between on-net and off-net destinations, and to select the proper access code.
- The exclusion of three entire dialing ranges can become too restrictive or can conflict with some pre-assigned extension ranges. For instance, if a site already uses an abbreviated dialing range beginning with 8, the use of that same digit as an access code would require a change.

In systems where the same off-net access code (for example, 9) is already in use by all sites, it might be desirable to use the same code for both off-net and on-net off-site destinations. This approach has two main implications:

- To avoid partial overlap and interdigit timeout situations, the quantity of digits expected after the access code should be uniform.
- The telephony system must be able to recognize all on-net numbers dialed as off-net numbers and to route them over the IP network. This task can be simple for small systems with only one Unified CM cluster but complex for large systems with multiple Unified CM clusters.

Plan Ahead

Implementing an IP-based system might require changing certain existing user practices. Although it is preferable to plan a new system so that the implementation is as transparent as possible to users, dialing habits might have to be adapted to accommodate the integration of multiple sites that used to be on separate telephony systems. For instance, adapting to a new global, enterprise-wide dial plan might require changing the way a user reaches another user at a different site, the quantity of digits used to make intra-site calls and, in some cases, the extension numbers. To avoid exposing users to multiple generations of dial plan changes, try to anticipate expansion of the enterprise, which could result in the addition of sites in different dialing regions, an increase in the required number of on-net extensions, PSTN renumbering (for example, an area code split), or business expansion into different countries.

Design Considerations

This section presents the following dial plan design considerations for multisite deployments:

- [Globalized Design Approach, page 9-12](#), covers guidelines and best practices that apply to deployments using the globalization dial plan features of Cisco Unified Communications Manager.
- [Call Control Discovery, page 9-24](#), explains how the Service Advertisement Framework (SAF) Call Control Discovery (CCD) service allows clusters to advertise their own hosted DN ranges into the network as well as to subscribe to advertisements generated by other call agents in the network.
- [Dial Plan Considerations for the Intercompany Media Engine, page 9-33](#), describes the Cisco Intercompany Media Engine (IME), which allows participating enterprises to route calls over the Internet between them.
- [Design Guidelines for Multisite Deployments, page 9-35](#), covers guidelines and best practices that apply to all multisite deployment models.
- [Choosing a Dial Plan Approach, page 9-38](#), presents the various approaches to organizing a dial plan for uniform versus variable-length on-net dialing and, for this second option, partitioned versus flat addressing.
- [Deploying Dialed Pattern Recognition in SIP Phones, page 9-52](#), explains how SIP dial rules can be employed to enable SIP phones to recognize certain dialing patterns.
- The following sections analyze in detail two dial plan approaches and provide configuration guidelines for each:
 - [Deploying Uniform On-Net Dial Plans, page 9-40](#)
 - [Deploying Variable-Length On-Net Dial Plans with Flat Addressing, page 9-43](#)

- The following sections present two alternative ways of configuring classes of service within Unified CM:
 - [Building Classes of Service for Unified CM with the Traditional Approach, page 9-54](#)
 - [Building Classes of Service for Unified CM with the Line/Device Approach, page 9-57](#)
- [Building Classes of Service in Cisco IOS with H.323, page 9-71](#), explains how to implement classes of service within a Cisco IOS router running the H.323 protocol.
- [Deploying Call Coverage, page 9-75](#), provides guidelines and best practices for implementing call coverage functionality using hunt lists and line groups with Unified CM.

Globalized Design Approach

This section describes dial plan features used to implement simplified call routing based on globalized numbers. The simplification is primarily obtained through the use of a single routing structure for off-net calls, no matter the source of the call. For example, two users in separate countries could use the same route patterns to carry calls to their respective local gateways, instead of requiring site-specific route patterns, each configured to match their respective dialing habits.

The main architectural approach used to attain this globalization can be summarized as follows:

- When a call enters the system, the destination number and the calling number are accepted in their local format but are then immediately globalized by the system.
- Once globalized, the called number is used to route the call to its destination through the use of route patterns expressed in the global form. The global form may be a combination of a global internal, enterprise-specific form such as 81001234 and/or a globalized PSTN representation of a DID number, such as the +E.164 form (for example, +12125551234).
- Once a destination has been identified, the calling and called numbers are localized to the form required by the endpoint, the network, or the system to which the call is to be delivered.

Thus, the guiding principle is:

Accept localized forms upon call ingress, and globalize them; route the call based on the globalized form; and localize the call to comply to the form required by the destination.

Cisco Unified Communications Manager (Unified CM) offers the following dial plan globalization capabilities:

- [Local Route Group, page 9-13](#)
- [Support for + Dialing, page 9-13](#)
- [Calling Party Number Transformations, page 9-13](#)
- [Called Party Number Transformations, page 9-14](#)
- [Incoming Calling Party Settings \(per Gateway\), page 9-14](#)
- [Logical Partitioning, page 9-15](#)

Together, these new features enable a Unified CM system to:

- Route calls based on the physical location context of the caller.
- Represent calling and called party numbers in a global form such as that described by the International Telecommunications Union's E.164 recommendation.
- Present calls to users in a format based on local dialing habits.
- Present calls to external networks (for example, the PSTN) in a manner compatible with the local requirements for calling party number, called party number, and their respective numbering types.

- Derive the global form of the calling party number on incoming calls from gateways, based on the calling number digits and the numbering type.
- Control the establishment of calls, as well as the initiation of mid-call features, between endpoints based on policies acting on each endpoint's geolocation, to comply with regulatory requirements in certain countries.

Local Route Group

The Local Route Group offers the ability to create patterns that route off-net calls to a gateway chosen for its proximity to the originating party. For example, a single pattern can be defined to route off-net, intra-country calls for all sites within a given country. Phones at every site can be configured to match this pattern, which then would route the call based on the Local Route Group associated with the calling phone. This allows a phone in site 1 to route calls through the gateway at site 1, while a phone at site 2, still using the same pattern, would route calls through the gateway at site 2. This feature simplifies the configuration of site-specific routing of off-net calls when compared to releases prior to Unified CM 7.0.

Support for + Dialing

Telephone numbers can use the + sign to represent the international dialing access code needed to reach a destination from different countries. For example, +1 408 526 4000 is the international notation for Cisco's main corporate office in the United States. To call this number, an enterprise telephony user from France typically would have to dial 0 00 1 408 526 4000, whereas a caller from the United Kingdom would have to dial 9 00 1 408 526 4000. In each case, + must be replaced with the appropriate off-net access code (as required by the enterprise telephony system) and international access code (as required by the PSTN carrier) relevant for each caller.

The system can route calls directly to destinations defined with +. For example, a user could program a WiFi phone's speed-dial entry for Cisco's main US office as +1 408 526 4000 and dial it directly when roaming in France, the UK, or anywhere else in the enterprise. In each location, the system would translate the destination number into the locally required digit string to allow the call to be routed properly.

Likewise, phone numbers dialed from a dual-mode phone are routable directly over the mobile carrier network when the phone is in GSM mode, or over the enterprise network when the phone is in WiFi mode, if the called number is represented in the +E.164 form. This allows a user to store a single destination number for a particular contact entry, and dial it no matter to which network the phone is currently attached.

This feature allows users to rely on the system to interpret phone numbers represented in the form described by the ITU E.164 recommendation and to route them properly without requiring the user to edit the number to adapt it manually to the local dialing habits.

Calling Party Number Transformations

The calling party number associated with a call routed through Unified CM might sometimes have to be adapted before it is presented to a phone or to the PSTN. For example, a call from +1 408 526 4000 might have to be presented as coming from 408 526 4000 if the destination phone is in the US or Canada, whereas a call from the same number might have to be presented to a destination phone in France as coming from 00 1 408 526 4000. This is mainly to offer users a presentation of the calling party in the customary form offered by their local PSTN, to maintain user familiarity with identification of the origin of calls ringing in.

Calls offered to gateways might require that the calling party number be manipulated to adapt it to the requirements of the telephony carrier to which the gateway is connected. For example, a call from +1 408 526 4000 offered to a gateway located in France might have to represent the calling number as 1 408 526 4000, with a Calling Party Number Type set to International. Similarly, a call from the same number offered to a gateway located in Canada might have to be represent the calling party number as 408 526 4000, with the Calling Party Number Type set to National.

This feature allows the calling party number to be adapted from the form used to route calls within the Unified CM system, to the form required by phone users or off-cluster networks.

**Note**

Some service providers might not be able to accept calling party numbers representing foreign telephone numbers, due to either technical limitations of their equipment, company policies, or governmental regulations. If calling party numbers cannot be accepted by the provider, the provider will either screen and overwrite the calling party number or reject the call. In some networks two calling party identities can exist for a call: user provided and network provided.

Called Party Number Transformations

The called number associated with a call routed through Unified CM might sometimes have to be adapted before it is presented to the PSTN. For example, a call placed to +1 408 526 4000 requires the called party number be transformed to 1 408 562 4000 with the numbering type set to National if it egresses to the PSTN through a gateway located in Canada. If the same call were re-routed toward a French gateway, the called party number would have to be transformed to 00 1 408 526 4000 with the numbering type set to International.

By manipulating the called party number as well as setting the numbering type for the called number, this feature allows the called party number to be adapted to the form required by off-cluster networks.

Incoming Calling Party Settings (per Gateway)

The calling party number associated with a call as it enters a gateway through a digital interface (for example, ISDN PRI) is also associated with an attribute identifying the calling number's numbering type as either Unknown, Subscriber, National, or International. When combined, the incoming call's calling number and its associated numbering type allow the system to determine the identity of the caller by stripping and prefixing appropriate digits to the incoming call's calling party number. Incoming Calling Party Settings allow the system to apply separate combinations of stripped and/or prefixed digits to the calling party number for each of the four calling number types.

For example, assume two calls come into a gateway located in Hamburg, Germany. Both feature a calling party number of 691234567. The first call is associated with a numbering type of Subscriber. This means the caller is located in Hamburg, thus the city code of Hamburg (40) is implied, as is the country code of Germany (49). Therefore, a full representation of the incoming call is +49 40 69 1234567, which can be obtained by prefixing +49 40 to the incoming call's calling party number for numbering type Subscriber.

The second call is associated with a numbering type of National. This means the caller is located in Germany, and the number already contains the applicable city code (69 is the city code of Frankfurt), but the country code of Germany (49) is implied. A full representation of the second incoming call is thus +49 69 1234567, which can be obtained by prefixing +49 to the second incoming call's calling party number for numbering type National.

This feature allows the system to globalize incoming calls' calling party numbers based on the incoming party number and numbering type. In previous versions of Unified CM, these settings were implemented through the use of cluster-wide service parameters. Unified CM 7.0 introduced per-gateway settings for

this feature, which allow different prefixes for each numbering type to be applied to calls entering different gateways. The settings can be configured on the gateway itself, on the gateway's device pool, or through the cluster-wide service parameters, in order of precedence. A blank entry signifies that no digits will be prefixed; to inherit the settings from the lower-precedence setting, the entry must be set to **Default**.

For all calls within a given numbering type, the prefix and strip-digits operations are applied, with no consideration for the calling party number originally received.

**Note**

Calls coming from SIP trunks or from SIP gateways are all associated with calling party numbering type Unknown.

In particular, the SIP protocol as implemented on SIP gateways and SIP trunks effectively places the incoming calling party number of all calls in the numbering type Unknown. This prevents Unified CM from applying different calling party number modifications for different calling party number categories.

Unified CM 7.1 and later releases allow the use of Incoming Calling Party Settings Calling Search Spaces (CSSs) for each number type. These CSSs are used to apply modifications to the calling party based on Calling Party Transformation Patterns. These patterns use regular expressions to match a subset of cases, followed by separate digit manipulation operations for each subset. This new capability enables Unified CM to apply different calling party number modifications for different calling party number categories. For example, a SIP trunk used to connect to the PSTN could present calls from local, national, and international parties with the numbering type set to Unknown; then each call's calling party number would be used to match a Calling Party Transformation Pattern in the trunk's CSS associated with number type Unknown, thus allowing Unified CM to apply different calling party number modifications for different calling party number categories.

Logical Partitioning

Some countries such as India have Telecom regulations requiring an enterprise's voice infrastructure to use the local PSTN exclusively when connecting calls outside the enterprise. This requires that the voice system be partitioned logically into two systems: one for Closed User Group (CUG) communications within the enterprise, and a second one to access the local PSTN. A call from an enterprise user in location A to another enterprise user in location B could be made within the CUG system; however, a call from an enterprise user in location A to a PSTN destination, no matter the location, must be made through local access to the PSTN in location A.

While existing dial plan tools can be used to prevent a call from completing if it were placed between endpoints outside the CUG, they are not able to prevent new call legs from being established while the call is in progress. For example, assume that an enterprise user in London, England, calls a co-worker in Delhi, India, over the enterprise network. Once the call is established, the user in Delhi conferences in a customer in India, from the same line on which the call from London was received. This mid-call addition (on the same line) of a destination outside the closed user group is not preventable solely by using the existing dial plan tools in Unified CM (such as Calling Search Spaces and Partitions).

Unified CM 7.1 and later releases offer logical partitioning functionality, which allows the establishment and enforcement of policies that apply not only to the initial onset of calls, but also to mid-call features such as conference and transfer.

The combination of globalization features available in Unified CM allows the system to accept calls in the local format preferred by the originating users and carriers, to route the calls on-net using global representations of the called and calling numbers, and to deliver the calls to phones or gateways in the local format required by the destination user or network. These three aspects of the dial plan design approach can be summarized as:

- [Localized Call Ingress, page 9-16](#)
- [Globalized Call Routing, page 9-20](#)
- [Localized Call Egress, page 9-20](#)

Localized Call Ingress

Unified Communications systems with multiple sites located in different regions or countries must satisfy different dialing habits from users and different signaling requirements from the service providers to which gateways are connected. Each local case can be different; this requires that the system be able to "translate" the local dialing habits and signaling requirements into a form that allows for the calls to be routed properly. Therefore, the systems must not only provide for many localized ingress requirements but also yield a single globalized form of any destination pattern.

Localized Call Ingress on Phones

Calls originating on endpoints such as phones or video terminals are typically dialed by users accustomed to a certain set of local dialing habits. Enterprise users in the US are used to dialing 9 1 408 526 4000 to reach Cisco's world headquarters in San Jose, California, whereas users in the UK would dial 9 00 1 408 526 4000 and users in France would dial 0 00 1 408 526 4000. Each of those three dialing forms features an enterprise off-net access code (9 for the US and UK, 0 for France), an international access code (00 for the UK and France, none needed for the US because the destination is intra-country), and a representation of the destination number, including the country code (1). Each of those three groups of users are dialing the same globalized destination number (+1 408 526 4000), but each with their own local dialing habits. In each of the three cases, + can be used as a global abstraction of the local dialing habits.

An enterprise telephony system must allow for the local dialing customs of users to be interpreted correctly. In all three cases above, the users are using a local dialing form to reach a common destination. The system must be configured to recognize user input and then route and deliver the call to the proper destination. Because the call can originate in many different forms, the system must provide pattern recognition to match each of those different forms.

Unified CM's translation patterns are used to convert localized user input as dialed from phones, to the global form used to route the calls within the Unified Communications system. These patterns must allow all localized dialing habits to be recognized, including:

- Intra-site on-net dialing
- Off-net local, national, and international dialing
- Local services such as emergency calling, directory and operator services
- Carrier selection codes, and so forth

For the three example calls mentioned above, the following translation patterns would be configured in separate partitions and placed in the calling search space (CSS) of:

- US phones: 9.1!, strip pre-dot, prefix +
- UK phones: 900.!, strip pre-dot, prefix +
- French phones: 000.!, strip pre-dot, prefix +

In each case, the locally significant dialed string is translated into a globalized form of +1 408 526 4000.

For on-net destinations, such as calls between two users in the same site or calls between users at different sites, translation patterns should be used to derive the globalized on-net form of the destination number. This is applicable whether on-net dialing is achieved using site codes or the fully qualified PSTN address of the phone is used as the on-net number.

For example, assume two users in the San Jose site use five-digit abbreviated dialing to call each other. User A calls User B by dialing 51234. A translation pattern specific to this site is configured to recognize any five-digit string beginning with 5 and to translate the called number to the globalized on-net form of 800151234. The translation pattern is configured as: 5XXXX, prefix 8001.

The translation pattern must be site-specific (included in the CSS of only the phones in site San Jose) to avoid confusion with extension 51234 at other sites in the system. In the example above, the on-net global form is implemented using an inter-site access code (8) and a site code (001). If the system used the fully qualified PSTN address of the phone as the on-net number, the translation pattern would instead prefix +140855, to yield a globalized on-net number of +1 408 555 1234.

**Note**

Variable Length On-net Dialing (VLOD) with flat addressing is the recommended approach where possible, because it simplifies configuration. While VLOD with partitioned addressing is supported, it entails extra configuration complexity.

Phone Calling Party Number Globalization

The calling party number for calls originating from phones is set to the number configured as the directory number of the line from which the call originates. Following the concepts of a globalized dial plan design approach, the calling party information of all calls should be globalized. If the DN format is not identical to the format chosen for the globalized internal calling party information (typically +E.164), then the correct handling of calling party information can be achieved by either making sure that all calling party transformations implemented in the system accept both the directory number format and the globalized +E.164 format as input or by making sure that the calling party information for calls from phones is also correctly set to +E.164. This can be achieved by setting the external phone number mask on the line to +E.164 and then setting the **use external phone number mask** option in a translation pattern that is matched. Using the **use external phone number mask** option on a route pattern will not work because device-level calling party transformations using a calling party transformation calling search space on the gateway or the gateway's device pool override the calling party transformation configured on route patterns, so that the input to the calling party transformation calling search space would be the untransformed directory number.

Starting with Cisco Unified CM 9.0, a new incoming calls calling party transformation calling search space on the phone and phone's device pool can be used to globalize the calling party number for calls originating from phones. This is the recommended way to globalize the calling party information of calls from phones to +E.164, because this method also is compatible with URI-dialed call flows for which calling party transformations in translation patterns are not applicable.

Allowing Call Ingress Using the Global Form

Phones can also provide dialed strings in the global form of the dialed number. In the case of software endpoints such as Cisco Unified Personal Communicator, + dialing can be accommodated directly from the Telephony User Interface (TUI) of the phone or can be derived from click-to-dial actions taken by the user. On Type-B IP phones, dialing + from the keypad can be achieved by pressing and holding either the * or 0 key, depending on the phone model. Also, the missed and received calls directories can contain entries where the number includes a +. As the user dials from those directories, the resulting call into Unified CM will have a called number beginning with +.

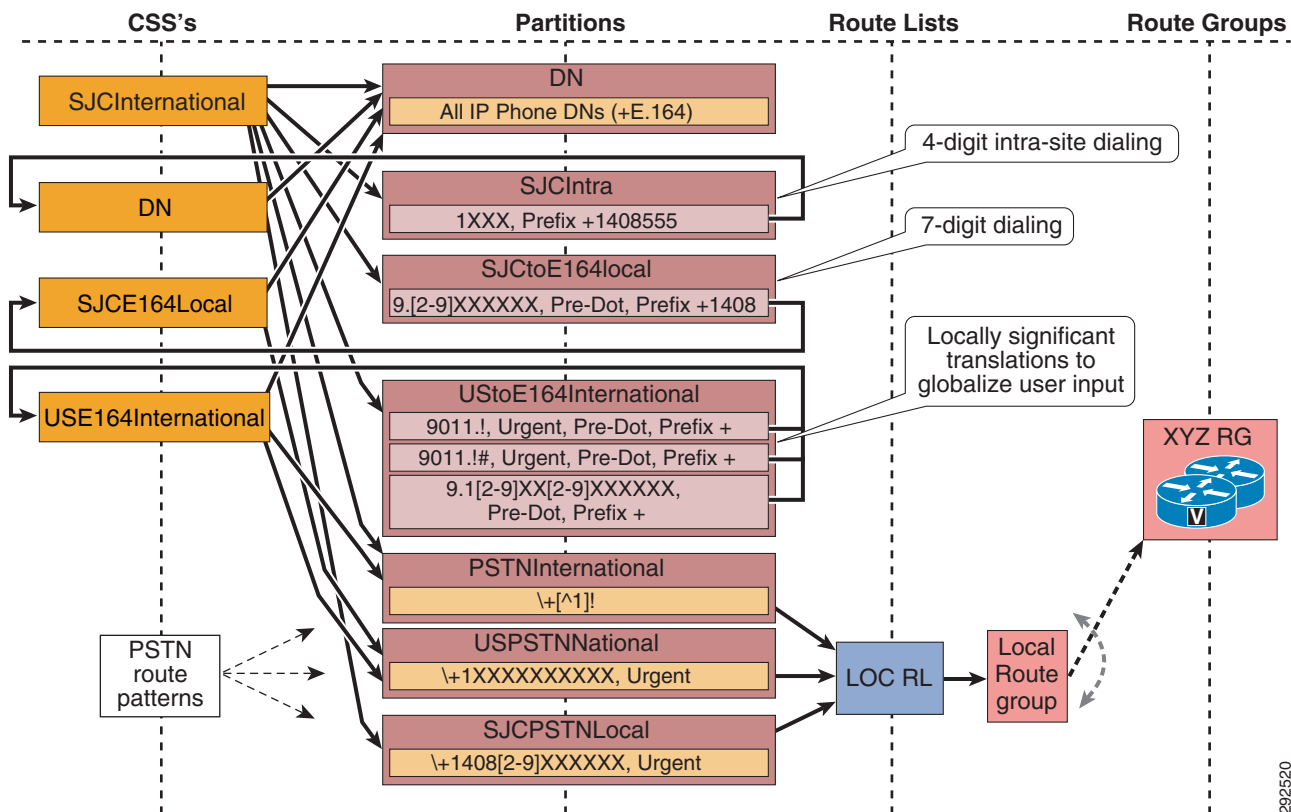


Note

For definitions of Type-A and Type-B phones, see [Dial Plan Elements, page 9-84](#).

To allow such calls to be handled properly by the phone's dial plan, you must ensure that not only the localized form of dialed numbers is allowed, but also the globalized form. [Figure 9-2](#) illustrates how to accomplish this.

Figure 9-2 Allowing Localized and Globalized TUI



In [Figure 9-2](#), a US IP phone user dials 9011496100773, connects to the destination in Germany, and then releases the call. The called party calls the US user back, connects, and then releases the call. The US user then goes into the Received calls directory, selects the entry for the last received call (+49 6100 773), and presses Dial. In this example, the US user initiates two separate calls to the same destination. For the first call, the form of the destination number localized for US dialing habits is used,

and the corresponding translation pattern 9011.! is matched by the user's input. Once translated, the route pattern \+[^1]! is used to route the call. For the second call, the globalized form of the destination number is used and the route pattern \+[^1]! is used directly.

The calling search spaces configured for each site should generally allow for:

- Localized intra-site dialing habits of the site
- Localized off-net dialing habits of the users at the site
- Applicable local telephony services such as emergency calls, directory and operator services
- The globalized form of on-net and off-net numbers

Except for the first item in the list above, the localized patterns used to achieve call routing can typically be reused between sites in the same dialing domain. (All sites in France dial off-net numbers the same way, as do all sites in the UK, in the US, and so forth.) However, each site must be configured with its own intra-site abbreviated dialing translation patterns so that there will be no confusion when a user in San Jose, for example, dials 51234, compared to when a user in New York dials 51234. The translation from the abbreviated intra-site form of a number to the globalized on-net form of the same destination must be achieved with site-specific translation patterns, which requires that each site be configured with its own site-specific calling search space.

Localized Call Ingress on Gateways

The called and calling numbers delivered into the Unified Communications system by external networks (for example, the PSTN) are typically localized. The form of the numbers may vary, depending on the service provider's configuration of the trunk group. As a gateway is connected to a PSTN trunk group, the system administrator must work with the PSTN service provider to determine the applicable signaling rules to be used for this specific trunk group. As calls are delivered into the system from the trunk group, some of the information about the calling and called numbers will be provided explicitly and some of it will be implied. Using this information, the system must derive the calls' globalized calling and called party numbers.

The globalization of the called party number can be implemented through one of the following methods:

- In the gateway configuration, configure **Call Routing Information > Inbound Calls**, where the quantity of significant digits to be retained from the original called number and the prefix digits to be added to the resulting string are used to globalize the called number. The prefix digits should be used to add the applicable + sign and country, region, and city codes.
- Place translation patterns in partitions referenced by the gateway's calling search space. The translation patterns should be configured to match the called party number form used by the trunks connected to the gateway, and should translate it into the global form. The prefix digits should be used to add the applicable + sign and country, region, and city codes.
- On H.323 trunks and gateways, use the incoming call's called party transformation settings available on the gateway and on the gateway's device pool. There you can define strip and prefix digit instructions or alternatively configure a called party transformation calling search space per numbering type.

The globalization of the calling party number should be implemented by using the Incoming Calling Party Settings configured either on the gateway directly or in the device pool controlling the gateway.



Note

If the administrator sets the prefix to **Default**, this indicates call processing will use the prefix at the next level setting (device pool or service parameter). Otherwise, the value configured is used as the prefix unless the field is empty, in which case there is no prefix assigned.

For example, assume a call is placed to Cisco's US headquarters (+1 408 526 4000) from a US number, and the call is delivered to a gateway located in San Jose, California. The called number provided to the gateway is 526 4000. This information is sufficient for the Cisco Unified Communications system to derive the full destination number for the call. A call delivered by the service provider on this specific trunk group should inherit an implied country code and area code based on the characteristics of the trunk group connected to the gateway, which presumes that all destination DID numbers handled by the trunk group are from the North American Numbering Plan country code (1) and from area code 408. Therefore, the derived global form of the number is +1 408 526 4000. The calling number provided to the gateway is 555 1234, with the numbering type set to Subscriber. The numbering type allows the system to infer the country code and area code from the configured characteristics of the trunk group. Thus, the system knows that the calling number is +1 408 555 1234.

On a different call, if the calling number is 33158405858 with numbering type International, this is an indication that the global form of the calling number should be represented as +33158405858.

Globalized Call Routing

For the destination to be represented in a global form common to all cases, we must adopt a global form of the destination number from which all local forms can be derived. The + sign is the mechanism used by the ITU's E.123 recommendation to represent any global E.164 PSTN number in a global, unique way. This form is sometimes referred to as a fully qualified PSTN number.

The system can be configured with route patterns that match globalized called numbers including the + sign. These same route patterns can point to route lists and route groups featuring the Standard Local Route Group. This allows for the creation of truly global route patterns because the egress gateway can be determined from the calling endpoint's device pool at the time of the call. All the necessary tasks of adapting the calls (both the calling and the called party numbers) to the local preferences and requirements are performed once a destination has been selected.

Localized Call Egress

When calls are routed to a destination using a global form of the called and the calling numbers, you might have to consider the following localization actions when the call is delivered to its destination.

Phone Calling Party Number Localization

As a call is delivered to a phone, the calling number will be in its global form, which might not be recognizable to the called party. Typically, users prefer to see calls from callers within their country presented with an abbreviated form of the caller's number.

For example, users in the US want to see incoming calls from US callers with a ten-digit national number, without the + sign or the country code (1). If a user whose global phone number is +1 408 555 1234 calls +1 408 526 4000, the called phone would like to receive 408 555 1234 as the calling party number while the phone is ringing. To achieve this, the system administrator should configure a Calling Party Transformation Pattern of: \+1.!, strip pre-dot. The Calling Party Transformation Pattern is placed in a partition included in the destination phone's Calling Party Transformation Pattern CSS, configured at the device-pool level. As a call from +1 408 555 1234 is offered to the phone, it matches the configured Calling Party Transformation Pattern, which removes the +1 and presents a calling party number of 408 555 1234 as the call rings in.



Note

The calling party number stored in the missed and received calls directories of Type-B phones is left in its globalized form to allow one-touch dialing from the directories without requiring manual editing of the directory's stored number string. The calling party number stored in the missed and received calls

directories of Type-A phones is the transformed calling party number. For Type-A phones, the transformed calling party number needs to be in the form of a supported dialing habit to make sure the user can call back from the missed and received calls directory. This behavior permits implementation of globalized dial plans even with older Type-A phones present in the network.

**Note**

Many phone users are becoming accustomed to the globalized form of PSTN numbers, mainly due to the common use of mobile phones across international boundaries. The system administrator can forego the configuration of Calling Party Transformation Patterns for phones if displaying the global form of incoming numbers is preferred.

Gateway Calling Party Number Localization

As a call is delivered to a gateway, the calling party number must be adapted to the requirements of the PSTN service provider providing the trunk group to which the gateway is connected. Calling Party Number Transformation patterns can be used to change the calling party number digit string and numbering type. Typically, a calling party number featuring the gateway's country code should be changed to remove the + sign and the explicit country code, and they should be replaced with the national prefix. Also, the numbering type of the calling party number should be changed to National. If the gateway is connected to a trunk group featuring a specific area, region, or city code, the specific combination of + sign, country code, and local area code usually must be replaced by the applicable local prefix. Also, the numbering type must be adjusted to Subscriber.

For example, assume that a call from a San Francisco user (+1 415 555 1234) is routed through a route list featuring a San Francisco gateway as a first choice and a Chicago gateway as a second choice. The San Francisco gateway is configured with two Calling Party Transformation Patterns:

- \+1415.XXXXXXX, strip pre-dot, numbering type: subscriber
- \+1.!, strip pre-dot, numbering type: national

As the call is delivered to the San Francisco gateway, the calling party number matches both Calling Party Transformation Patterns. However, the first one is a more precise match and is selected to process the calling party number. Thus, the resulting transformed number is 5551234, with a calling party type set to Subscriber.

If the gateway had not been able to process the call (for example, if all ports were busy), the call would have been sent to the Chicago gateway to egress to the PSTN. The Chicago gateway is configured with the following two Calling Party Transformation Patterns:

- \+1708.XXXXXXX, strip pre-dot, numbering type: subscriber
- \+1.!, strip pre-dot, numbering type: national

As the call is delivered into the Chicago gateway, the calling party number matches only the second Calling Party Transformation Pattern. Therefore, the resulting calling party number offered to the gateway is 4155551234, with a calling party number type set to National.

Gateway Called Party Number Localization

As a call is delivered to a gateway, the called party number must be adapted to the requirements of the PSTN service provider providing the trunk group to which the gateway is connected. Called Party Number Transformation patterns can be used to change the called party number digit string and numbering type. Typically, a called party number featuring the gateway's country code should be changed to remove the + sign and the explicit country code, and they should be replaced with the national prefix. Also, the numbering type of the called party number should be changed to National. If the

gateway is connected to a trunk group featuring a specific area, region, or city code, the specific combination of + sign, country code, and local area code usually must be replaced by the applicable local prefix. Also, the numbering type must be adjusted to Subscriber.

For example, assume that a call to a San Francisco user (+1 415 555 2222) is routed through a route list featuring a San Francisco gateway as a first choice and a Chicago gateway as a second choice. The San Francisco gateway is configured with two Called Party Transformation Patterns:

- \+1415.XXXXXXX, strip pre-dot, numbering type: subscriber
- \+1.!, strip pre-dot, numbering type: national

As the call is delivered to the San Francisco gateway, the called party number matches both of the Called Party Transformation Patterns. However, the first one is a more precise match and is selected to process the called party number. Thus, the resulting transformed number is 5552222, with a called party type set to Subscriber.

If the gateway had not been able to process the call (for example, if all ports were busy), the call would have been sent to the Chicago gateway to egress to the PSTN. The Chicago gateway is configured with the following two Called Party Transformation Patterns:

- \+1708.XXXXXXX, strip pre-dot, numbering type: subscriber
- \+1.!, strip pre-dot, numbering type: national

As the call is delivered into the Chicago gateway, the called party number matches only the second Called Party Transformation Pattern. Therefore, the resulting called party number offered to the gateway is 415552222, with a called party number type set to National.

**Note**

When a call egresses to a gateway, the calling and called party transformation patterns are applied to the calling and called numbers respectively.

**Note**

SIP does not offer an indication of the numbering type. Therefore, SIP gateways will not be able to receive an indication of the called or calling party number type set by Unified CM.

Benefits of the New Design Approach

The benefits of the dial plan design approach enabled by the new globalization features in Unified CM 7.x include:

- Simplified configuration of call routing, especially when considering local egress to the PSTN
- Simplified configuration and enhanced functionality of system functions such as:
 - Automated Alternate Routing (AAR)
 - Emergency Responder (ER) site-specific failover
 - Call Forward Unregistered (CFUR)
 - Tail End Hop Off (TEHO)
 - Click-to-dial of E.164 numbers (including the + sign) from soft clients such as Cisco Unified Personal Communicator
 - Adaptive call routing for speed dials originating from roaming extension mobility users or roaming devices
 - One-touch dialing from phone directory entries, including dual-mode phones

- One-touch dialing from missed and received call lists in IP phone directories

Automated Alternate Routing (AAR)

If the AAR destination mask is entered in the globalized form, and if every AAR CSS is able to route calls to destinations in the globalized form, then the system administrator can forego the configuration of AAR groups because their sole function is to determine what digits to prefix based on the local requirements of the calling phone's PSTN access to reach the specific destination.

Furthermore, in most cases the sole function of the AAR CSS is to route the call to the calling phone's co-located gateway; therefore, it can be configured with only a single route pattern (\+!) pointing to a route list that contains the Standard Local Route Group. Because calls routed by this single route pattern will always be routed through the Local Route Group associated with the calling endpoint, that unique AAR CSS can be used by all phones at all sites, no matter in which region or country they are located.

Cisco Emergency Responder

Call routing to Cisco Emergency Responder (ER) is typically implemented by configuring a 911 CTI route point to connect to the primary ER server and a 912 CTI route point to connect to the backup ER server.

If both ER servers are unavailable, 911 calls can be directed to the PSTN egress gateway co-located with the calling phone by configuring:

- The 911 CTI route point to Call Forward No Answer (CFNA) and Call Forward Busy (CFB) to 912, through a calling search space that contains the partition of the 912 CTI route point
- The 912 CTI route point to CFNA and CFB to 911, through a calling search space that contains a global partition, itself containing a route pattern 911 pointing to a route list that contains the Standard Local Route Group

If both CTI route points become unregistered, calls to 911 will be forwarded through the local route group as determined by the calling phone's device pool. If Device Mobility is configured, roaming phones will be associated with the visited site's device pool, and thus associated with the visited site's Local Route Group.

Call Forward Unregistered (CFUR)

To allow calls handled by the Call Forward Unregistered function to use a gateway co-located with the calling phone, configure the CFUR destination of phones using the globalized + form of their PSTN number. The CFUR CSS can be configured with only a single route pattern (\+!) pointing to a route list that contains the Standard Local Route Group. Because calls routed by this single route pattern will always be routed through the Local Route Group associated with the calling endpoint, the same CSS can be used as the CFUR CSS by all phones at all sites, no matter in which region or country they are located.

Tail End Hop Off (TEHO)

To reduce PSTN connectivity charges, system administrators might want to route calls to off-net destinations by using the IP network to bring the egress point to the PSTN as close as possible to the called number. At the same time, if the call's preferred TEHO route is not available, it might be necessary to use the calling phone's local gateway to send the call to the PSTN. This can be achieved by allowing all phones partaking in TEHO routing for a given type of number to match the same route pattern that matches the specific destination number and that points to a route list containing the TEHO egress gateway-of-choice as the first entry and the Standard Local Route Group as the second entry.

Call Control Discovery

In environments where multiple call clusters are deployed, the dial plan must be engineered to route calls between clusters over the IP network where possible, and to use the PSTN as a backup route where required.

Configuration of a cluster to allow intercluster call routing requires the addition of sets of patterns describing the DN ranges hosted in remote clusters. For each remote DN range, the local cluster must be configured with:

- Number range pattern(s) to be recognized as hosted on a remote cluster
- The primary route to reach each remote cluster destination number range, along with associated trunks and protocols
- Secondary route(s) to the destination number ranges, with their associated digit manipulation to transform the destination number to a form acceptable by the PSTN carrier.

This configuration can be done manually, by using static dial plan entries such as route patterns. When done manually, the configuration effort increases with the quantity of remote ranges to be routed. This increase is linear when all clusters are pointed to a centralized dial plan resolution platform, such as a gatekeeper, a SIP proxy, or Cisco Unified CM Session Management Edition. However, this introduces a dependency on a central control point.

The alternative is to create a full mesh, where each cluster pair is configured with intercluster trunks referenced by route patterns defining the remote DN ranges of the cluster on the other side. In this mode, no central point controls the intercluster dial plan resolution, but the configuration effort grows exponentially with the quantity of clusters because a full mesh of trunks and associated DN ranges is required to link all cluster pairs.

Cisco Unified Communications Manager offers the ability for clusters to automatically exchange the DN ranges they host by subscribing to a network-based Service Advertisement Framework (SAF) Call Control Discovery (CCD) service. SAF CCD enables clusters to advertise their own hosted DN ranges into the network as well as to subscribe to advertisements generated by other call agents in the network. The main benefits of using SAF CCD are:

- Automated distribution of call routing information between call agents participating in the same SAF CCD network, thus avoiding incremental configuration work when new call agents are added or when new DN ranges are added to a call agent
- No reliance on a centralized dial plan resolution control point
- Automated recovery of inter-call agent call routing information when routing changes occur, including when multiple Unified CM clusters are combined

The section on [Dial Plan Elements, page 9-84](#), presents some fundamental systemic functionality aspects of SAF CCD to complement the product information available in the latest version of the *Cisco Unified Communications Manager Administration Guide*, available at

http://www.cisco.com/en/US/products/sw/voicesw/ps556/prod_maintenance_guides_list.html

For more detailed information on the Service Advertisement Framework and Call Control Discovery, see [Call Routing and Dial Plan Distribution Using Call Control Discovery for the Service Advertisement Framework, page 5-52](#).

This section of the chapter is not meant to present the exhaustive product configuration of Unified CM for participation in the SAF CCD service. Rather, it focuses on the fundamental system implications of using Unified CM as a call agent in a network offering the SAF CCD service. Design considerations for the dial plan aspects of the SAF CCD service are presented in the following section.

SAF CCD Design Considerations

SAF CCD allows for the exchange of directory number (DN) information between call agents such as Cisco IOS Gateways, Unified CME, and Unified CM. To ensure optimal performance, the system should be designed with the following criteria in mind:

- [Advertising Globalized Numbers, page 9-25](#)
- [Learning Remote DN Ranges Through the SAF CCD Requesting Service, page 9-30](#)
- [Placing Calls to SAF CCD Learned DN Ranges, page 9-31](#)

Advertising Globalized Numbers

Because the DN ranges exchanged between the call agents participating in the SAF CCD service are sent to all call agents, with no regard to site-specific dialing habits, the form of the DNs exchanged through the SAF CCD service should be a global one; that is, a form that is unique among all call agents. This form can be used from any device, on any call agent, in any location in the network. Cisco recommends that all patterns advertised into a SAF CCD service be globally unique within the enterprise.

For example, assume user Paul in Liverpool, England, can be reached by calling the following numbers:

- 1234 if called by coworker John, also located in Liverpool, England
- 85551234 if called by co-worker Wolfgang from Vienna, Austria, or by any other coworker in any on-net enterprise office location worldwide, no matter what call agent controls their phone

User Brian in Hawthorne, CA, can be reached by calling the following numbers:

- 1234 if called by coworker Carl, also located in Hawthorne, CA
- 84441234 if called by coworker Bono located in Dublin, Ireland, or by any other coworker in any on-net enterprise office location worldwide, no matter what call agent controls their phone

In this example, the localized, four-digit abbreviated intra-site form of the number associated with Paul cannot be used as a global identification to be sent to all call agents because it conflicts with that of user Brian. If Paul's call agent were to send a SAF CCD advertisement into the network for DN 1234, it would conflict with that advertised by Brian's call agent in the same SAF CCD network. If user Carl were to dial 1234, there would be some conflict as to whom (Paul or Brian) he is trying to reach.

To avoid such conflicts, call agents should always advertise numbers in a form that is global; that is, a form which does not rely on a context specific to a site or a cluster. It should be a form that can be dialed from any phone on the network, and that uniquely identifies the destination DN in the entire network. The following two main forms of global DNs can be used for this purpose:

- [Site-Code Based On-Net Form, page 9-25](#)
- [+E.164 Based On-Net Form, page 9-26](#)

Site-Code Based On-Net Form

In systems where the majority of inter-site calls are dialed by using an on-net scheme based on site codes, it is better to advertise DNs in their site-code form, along with a set of rules to allow their failover to the PSTN.

Each DN is globally reachable within the system by dialing an inter-site access code, followed by a site code, followed by a local extension. For example, user Paul in Liverpool can be reached from anywhere on the enterprise network by dialing inter-site access code 8, followed by site code 555 (Liverpool, England), followed by the local extension 1234. Combined, these parts yield a global DN of 85551234, which is globally unique within the network.

In systems using site codes implemented with Variable Length On-Net Dialing (VLOD) with flat addressing, the DN ranges advertised by the cluster to the rest of the network directly match the DN form configured on the lines. This ensures that, when calls are received from other call agents into a SAF CCD trunk, no digit manipulation is required to adapt the called number to the form used internally on the lines. For example, if the cluster advertised 855512XX and it receives a call for 85551234 on a SAF CCD trunk, a match can be made directly into the single partition containing the phones.

In systems using site codes implemented with Variable Length On-Net Dialing (VLOD) with partitioned addressing, the DN ranges advertised by the cluster to the rest of the network do not directly match the DN form configured on the lines. When calls are received from other call agents into a SAF CCD trunk, the called number must be translated from the globalized form to the site-specific abbreviated form used internally on the lines. For example, if the cluster advertised 855512XX and it receives a call for 85551234 on a SAF CCD trunk, a match must first be made into the single partition containing a series of translation patterns that can adapt the called number from the incoming global form to the localized form 1234 used in the destination phone's site-specific partition.

+E.164 Based On-Net Form

In systems where the majority of inter-site calls are dialed by using the PSTN form of DNs, it is better to advertise DNs in their associated +E.164 form. The +E.164 form carries in it all the information that allows any user in any system (on-net or off-net) to reach the destination DN across any network. Cisco recommends that the DN ranges learned from the SAF CCD service be stored as-is, in their +E.164 form, and that local user input be globalized to match it.

For example: user Paul in Liverpool uses a phone whose line DN is defined as 1234 in the Liverpool partition in the English cluster. However, any coworker in a different site calls Paul by dialing the locally significant form of Paul's +E.164 form DID (+44 15 4555 1234). For Wolfgang in Austria, it is 0 00 44 15 4555 1234, and for Elvis in Memphis, TN, it is 9 011 44 15 4555 1234. User Ringo, calling from a different site in Liverpool, dials 9 0154 555 1234 to reach Paul. For user Edge, on the road somewhere in the world, the call to Paul takes on the form of a click-to-call action from a laptop, to +44 15 4555 1234.

The literal form in which Paul's +E.164 is advertised is not necessarily used as-is by users in the other clusters on the network. All but user Edge in the example above used a localized form of Paul's number. But in every case, the local form dialed can be globalized to arrive at the global form advertised by Paul's cluster.

Each cluster must accept user input in a local, habitual form. For example, for user Elvis in the United States, the habitual manual enterprise user input to reach a user in another country involves dialing an off-net access code (9), followed by an international routing code (011), followed by the E.164 number of the destination (44 15 4555 1234). In this case, the globalization of the user input requires the matching of a pattern such as 9011.!, strip pre-dot, prefix +. This one translation pattern can be used for all calls from any USA user to any destination outside the NANP country code 1.

For all users in all clusters, the locally-significant globalization rules required to globalize habitual user input to an +E.164 form are few. They must cover the globalization of local PSTN calls, national calls, and international calls. In many countries, there is only one form for all intra-country, national calls.



Note

Advertising DN ranges in the +E.164 form does not require that the DNs themselves be defined as +E.164 numbers in their host cluster.

In systems using the +E.164 form implemented with Variable Length On-Net Dialing (VLOD) with flat addressing, the DN ranges advertised by the cluster to the rest of the network directly match the DN form configured on the lines. This ensures that, when calls are received from other call agents into a SAF CCD

trunk, no digit manipulation is required to adapt the called number to the form used internally on the lines. For example, if the cluster advertised +4415455512XX and it receives a call for +441545551234 on a SAF CCD trunk, a match can be made directly into the single partition containing the phones.

In systems using the +E.164 form implemented with Variable Length On-Net Dialing (VL0D) with partitioned addressing, the DN ranges advertised by the cluster to the rest of the network do not directly match the DN form configured on the lines. When calls are received from other call agents into a SAF CCD trunk, the called number must be translated from the globalized form to the site-specific abbreviated form used internally on the lines. For example, if the cluster advertised +4415455512XX and it receives a call for +441545551234 on a SAF CCD trunk, a match must first be made into the single partition containing a series of translation patterns that can adapt the called number from the incoming global form to the localized form 1234 used in the destination phone's site-specific partition.

When Both Forms Are Required

In some systems, users reach each other by both approaches listed above. For these situations, the host clusters should advertise both the site-code form of the DN ranges as well as the +E.164 form. Because the two forms are differentiated by the use of the + sign, no overlap situation can occur between the two DN ranges advertised for a given group of phones.

Special Considerations for Non-DID Numbers

When the system requires the inter-cluster reachability of non-DID numbers, the non-DID DN ranges can be configured to use SAF CCD. However, the PSTN failover functionality will not work in the same manner as for DNs associated with a DID. For example, if a non-DID DN range such as 800033XX is advertised and there is no associated DID range to route calls through the PSTN to the lines in the host cluster, you can do either of the following:

- Configure the PSTN failover digits to yield a call to an annunciator message in the calling cluster, indicating that the call should be re-attempted later due to network congestion, or
- Configure the PSTN failover digits to yield a call to an IVR, reception phone, or other device.



Note

The +E.164 format allows the use of the +0 range to designate non-DID numbers. The +0 range can thus be used to route the calls in the +E.164 form on-net only; the PSTN will not route calls to country code 0.



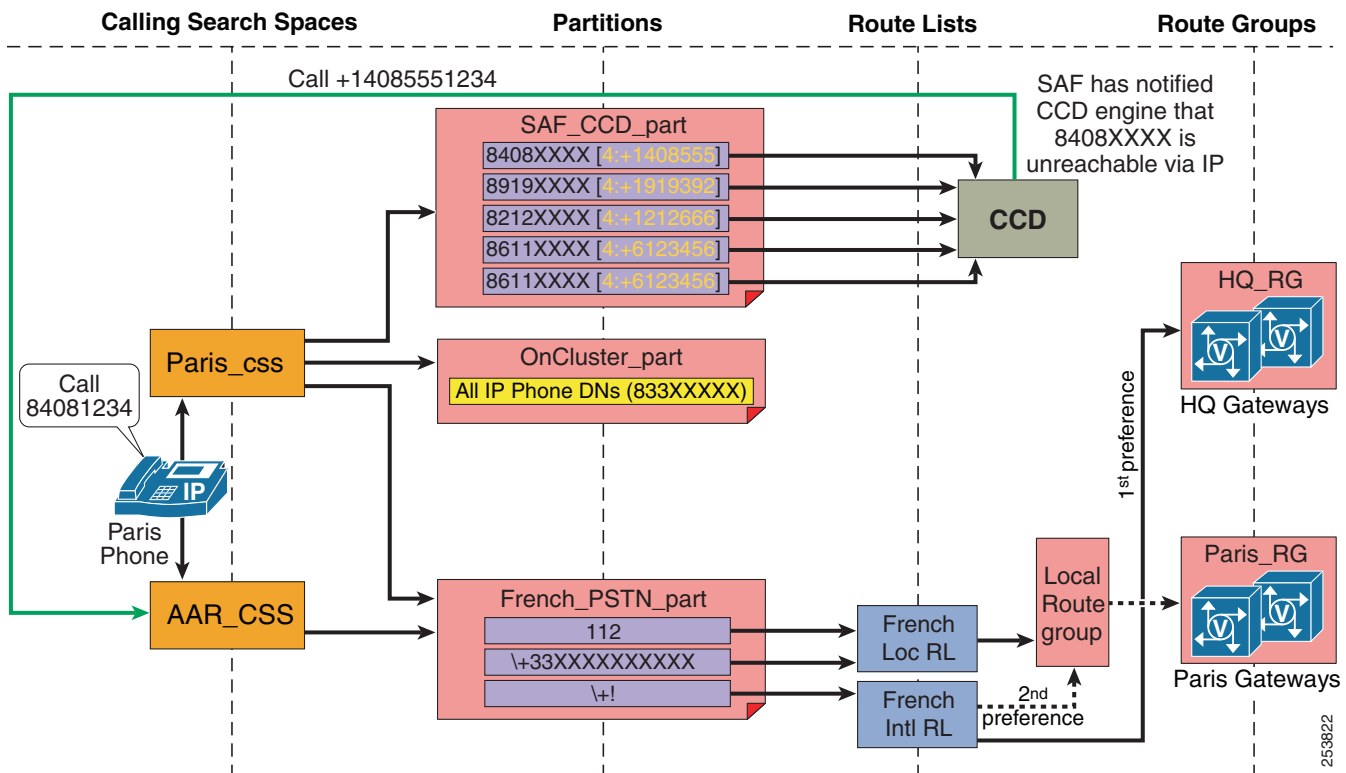
Tip

When configuring non-DID ranges, subdivide the +0 range into the actual country, area, and/or city codes where the DNs are hosted. For example, a non-DID range in Chicago, IL, could start with +01708XXXXXXXX, allowing for 10 million non-DID numbers. In Frankfurt, Germany, the range could be +04969XXXXXXXX, and so forth.

PSTN Failover Considerations for SAF CCD Outgoing Calls

When a call is placed to a SAF CCD discovered number, the call is routed through one of the SAF CCD trunks associated with the requesting service, as configured under **Call Control > Call Control Discovery > Requesting Service** in Unified CM. (See [Figure 9-3](#).) If the trunk cannot accept the call (for example, if call admission control denies the call or if the trunk is down), then the call will be sent to the PSTN through the AAR calling search space (CSS) of the calling device. Because the destination number might not be in a form directly compatible with the PSTN, the destination number must first be adapted.

Figure 9-3 SAF CCD and PSTN Failover



The DN range records injected into the SAF CCD service by each call agent must carry the rules required to adapt the on-net form of the number to a form acceptable to the PSTN. The rules include what quantity of digits to strip from the left of the range (PSTN Failover Strip Digits), what digits to prefix to the post-strip called number (PSTN Failover Prepend Digits), and whether to use the DN range as-is when rerouting calls to the PSTN (Use HostedDN as PSTN Failover checkbox).

For example, in Figure 9-3 a Unified CM cluster discovers routes to other clusters. The discovered routes are placed into the partition named SAF_CCD_part. If the Paris user dials 84081234, the best-match routing logic will route the call using the SAF CCD discovered pattern 8408XXXX. If the IP route is not available, the dialed number will be combined with the ToDID information, which instructs Unified CM to strip the left-most four digits (in this case, 8408) and to prefix +1408555. This yields +14085551234, which is used to find a match through the calling phone's AAR calling search space. The call then matches the \+! route pattern and is routed through the French Intl RL route list; the first attempt will be to route the call through the HQ_RG route group, followed by an attempt to use the calling phone's local route group (in this case, Paris_RG).

These rules are configured for each advertised DN range under **Call Routing > Call Control Discovery > Hosted DN pattern** in Unified CM. They can also be configured for groups of DN ranges under **Call Routing > Call Control Discovery > Hosted DN group** in Unified CM.

Cisco recommends configuring the PSTN failover digits at the **Hosted DN pattern** level because it provides more granular control of the failover digits for each range and avoids another configuration step at the Hosted DN group level.

When Advertising DN Ranges Using Site Codes

For instance, the users in Liverpool can be reached on-net by dialing a number in the 855512XX range. Nothing in this form inherently defines the associated DID number required to route a call to this destination across the PSTN. To transform this site-code form into the +E.164 form required by the PSTN, (+44 15 4555 12XX), the advertised DN range should be stripped of its first (left-most) digit and prefixed with +44154. This is sometimes represented as S:PP, where S represents the quantity of digits to be stripped from the left and PP represents the literal digits to be prefixed to the post-strip called number. In this example, the transformation would be 1:+44154.



Note

The cluster advertising the DN range must provide the SAF CCD records with the appropriate information to fail-over to the PSTN. If this information is not provided as the routes are injected into the SAF CCD service, each of the CCD client clusters would have to be configured to adapt the PSTN failover characteristics of the learned routes. This creates an additional configuration burden and requires multiple clusters be modified if any changes are required.

Once the called number form is changed to the +E.164 form, the call is routed through the calling device's AAR CSS. A match must be made on the +E.164 form of the number. Once a route pattern is matched, the call is routed through a route list, a route group, and eventually a trunk or gateway, where called party transformation patterns are used to adapt the number from the +E.164 to the localized form required by the PSTN carrier.

When Advertising DN Ranges Using the +E.164 Form

In this case, the DN ranges are advertised directly in the +E.164 form, therefore no PSTN failover digit configuration is required. It is best to check the **Use HostedDN as PSTN Failover** checkbox under the Hosted DN Range configuration to prevent any failover PSTN digit configuration done at the Hosted DN group level from taking precedence. This may be useful when a system requires both the site-code and the +E.164 forms of a number range to be advertised through the same Hosted DN Group, to accommodate both dialing forms between clusters. In such a case, the Hosted DN group PSTN Failover configuration would apply to the site-code DN ranges and would be ignored for the +E.164 DN ranges.



Note

In SAF CCD PSTN failover digit configuration, the + sign is used to perform two main tasks: it allows the adapted PSTN failover number to avoid overlap with any other intra-site valid range in any other cluster (for instance, a cluster where 4415 is a valid intra-site extension would not overlap with +441545551234), and it allows the use of + as a differentiator in matching called party transformation patterns in situations where local calls could overlap with some country codes (for example, India country code 91 overlapping with local ten-digit dialing in Raleigh, NC, Morocco country code 212 overlapping with local ten-digit dialing in New York, NY, and so forth).

Configuring Multiple Advertising Services

Hosted DN groups are a collection of hosted DN patterns that you group together in Cisco Unified Communications Manager Administration. You assign a hosted DN group to a CCD advertising service in Unified CM Administration, and the CCD advertising service publishes all the hosted DN patterns that are a part of the hosted DN group.

You can configure multiple advertising services in Unified CM. Each advertising service establishes a unique relationship between Hosted DN ranges and the group of call processing nodes that will advertise themselves as responsible for the reception of calls to the DNs in those ranges.

An advertising service is associated with a Hosted DN group, which itself is common to a set of Hosted DN ranges. The advertising service is also associated with one SIP SAF trunk and/or one H.323 SAF trunk. Each of those trunks is associated with a device pool, which itself is associated with a Unified CM

server group. The constituent members of the Unified CM server group will be advertised as responsible for calls to any of the DN ranges in the Hosted DN group. In systems where the call processing servers are deployed as a cluster across the WAN (clustering over the WAN), Cisco recommends that the Unified CM server groups used to serve the phones be used also to advertise the DN ranges corresponding to the lines configured on the phones. This will ensure that calls made by remote SAF CCD clients to those phones are sent to the Unified CM servers co-located with the phone's controlling servers.

Learning Remote DN Ranges Through the SAF CCD Requesting Service

The SAF CCD Requesting Service is used to learn the DN ranges hosted in other call agents participating in the SAF CCD service. The Requesting Service is associated with SAF CCD trunks, and it is used to select the trunks associated with the Requesting Service when calls are placed to SAF CCD learned DN ranges.

Each DN range is associated with multiple attributes, such as:

- DN Range — For example: 8555XXXX, +1408555XXXX
- ToDID info — Representing the PSTN failover information provided by the advertising call agent. For example: 1:+1408
- IP address — Representing the signaling destination of the call agent hosting the advertised DN range. This field carries the address of the trunk used by the advertising cluster to inject the DN range into the SAF CCD service. For example: 10.0.0.1.
- Protocol — Representing the signaling protocol required to contact the call agent responsible for the hosted DN range. For example: SIP, H.323



Note

If an advertising service is associated with a trunk whose device pool features a Cisco Unified Communications Manager Group with more than one member, one SAF CCD record is advertised per member. This means that, if a single hosted DN range is advertised through a trunk with three Unified CM group members, three SAF CCD records are advertised. Load balancing is used by the calling cluster between all the records advertising the same hosted DN range.

The SAF CCD Partition

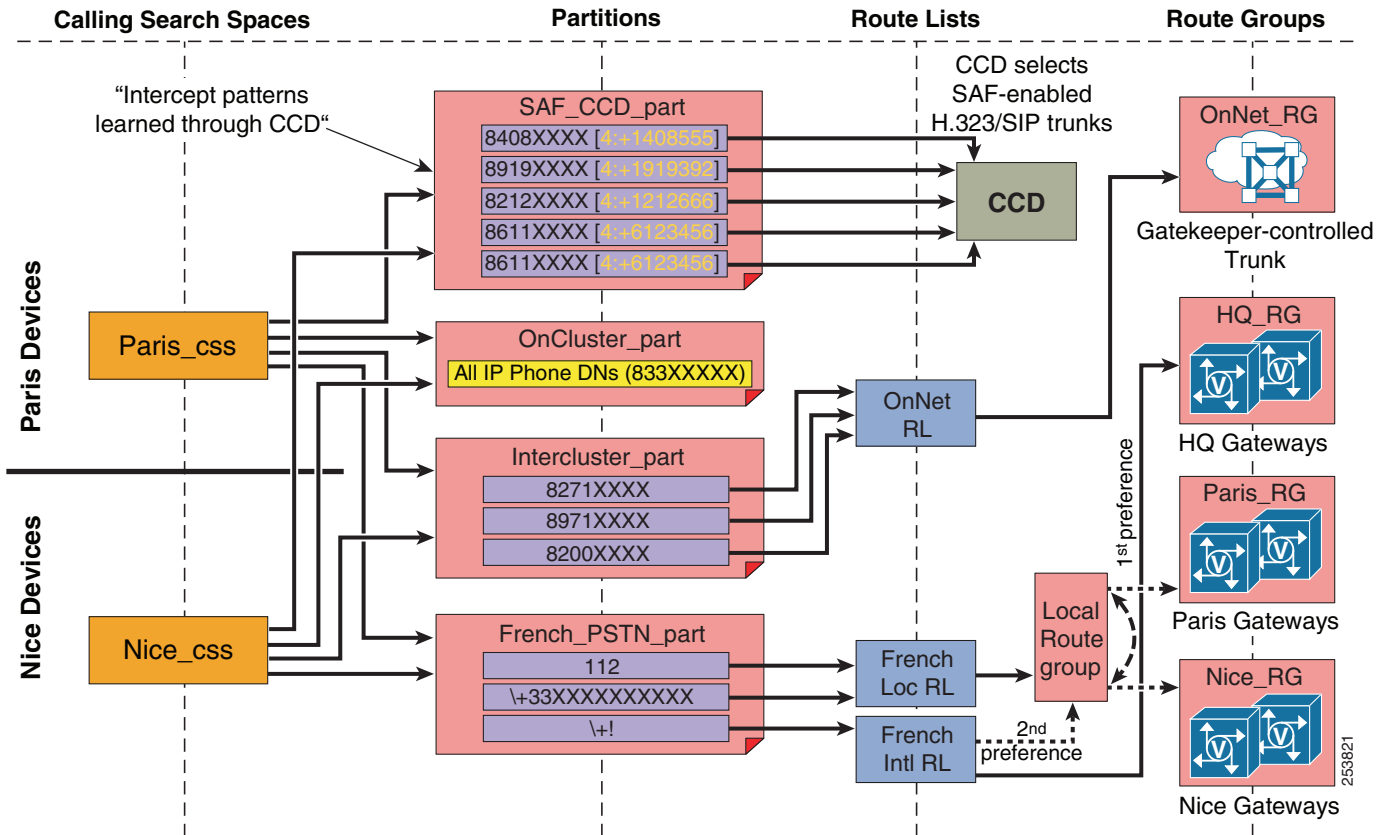
In a cluster, a single SAF CCD partition is configured and is used to contain all learned patterns, no matter the source of the advertised DN range, the required protocol, or the DN range form (site-code or +E.164) used in the advertisement. (See [Figure 9-4](#).)



Note

The SAF CCD partition is not listed for searches under **Call Routing > Class of Control > partition**.

Figure 9-4 Integration of SAF Call Control Discovery with Static Routing



The fact that all learned patterns are placed in the single call control discovery partition means that a phone cannot be given access to only a subset of learned patterns. Access to all the patterns is effected by inclusion of the Call Control Discovery Partition in a CSS used by a phone or in the CSS of a translation pattern used to adapt the dialed, localized form of a number into the globalized form advertised into the SAF CCD service.

For example, the Paris user in Figure 9-4 dials 84081234. None of the statically configured patterns matches the dialed string. However, the SAF_CCD_Part partition has been populated with DN ranges learned from the SAF CCD requesting service. The pattern 8408XXXX matches the dialed string directly and allows the user's call to be placed through a SAF CCD-enabled IP trunk. Note that the Paris and Nice users in this example have access to all the patterns in the SAF_CCD_part partition.

Placing Calls to SAF CCD Learned DN Ranges

In general, calls placed to SAF CCD learned DN ranges should match the range either directly, if the user dialed the advertised globalized number, or through a globalization translation pattern, if the user dialed the number in a local form. SAF CCD learned patterns are always learned as non-urgent. This might cause partial overlaps when the SAF CCD learned patterns are global +E.164 patterns and there is an alternative match on a \+! PSTN route pattern. In this case dialing the global on-net destination learned through SAF CCD either directly or by dialing the habitual local form that is transformed by appropriate translations will be subject to inter-digit timeout (T302).

The calling party number should be sent as-is if the DN of the caller is already in a global form (site-code or +E.164). If the calling party number is in a local form, it should be globalized before egressing the local cluster. This is best done through the use of calling party transformation patterns on the SAF CCD trunk used to place the call.

When a user dials a number corresponding to a DN range advertised by a remote call agent, the following events occur:

1. The dialed string is processed through the calling phone's effective CSS. The best-match process is used, as usual. This means that, if a call is placed to a destination matching several SAF CCD learned routes and/or patterns locally configured in the cluster, the most precise match will be chosen to match the call. In cases where multiple equal-precision matches are found, the order in which the associated partitions are listed in the effective CSS will be used. In the special case where multiple Unified CM nodes belonging to the same cluster advertise the same route, multiple equal-precision patterns will be found in the SAF CCD partition of all clusters participating in the SAF CCD service. In this case, the calls to this pattern are load-balanced between all the equal-precision matches.
2. Either a match is found directly on the dialed pattern (for example, the user dials 84081234 and this matches a pattern found in the SAF CCD partition as included in the phone's CSS), or a match is made with a translation pattern used to adapt the local form to the global form advertised in the SAF CCD partition (for example, the user in Memphis, TN, dials 9011441545551234, matches a translation pattern that adapts the called number to +441545551234, and then matches the +441545551234 found in the SAF CCD partition located in the translation pattern's CSS).
3. The call is extended through the IP trunk used to learn the pattern in the local cluster, to the trunk used to advertise the pattern in the remote cluster.
4. Upon egressing the calling cluster, the called number is in the form advertised by the remote cluster.
5. Upon egressing the calling cluster, the calling number should be provided in a global form. If the local cluster's DNs were not provisioned in a global form, calling party transformation patterns should be used to adapt the local form to the global form to be sent to the remote cluster. This is especially important to allow remote users to use the dial function from the missed and received calls lists. Note also that globalizing the calling party number should be done by the calling cluster to simplify configuration. The alternative requires configuring all remote clusters with the rules required to recognize calls coming from other clusters and globalize the calling party numbers.
6. If the IP route between the calling and the called cluster is available, the call will be received at the remote cluster into the trunk associated with the advertising service used to inject the DN range into the SAF CCD service.
7. The remote cluster's SAF CCD trunk receiving the call will look for a match in the trunk's Inbound Calls CSS.
8. If the DNs as configured in the cluster are in the same global form as that advertised into the SAF CCD service, a match is found by including the DN partitions into the SAF CCD trunk's Inbound Calls CSS. The call is offered to the called line.
9. If the DNs as configured in the cluster are in a form different than the global form advertised into the SAF CCD service, a match is found by including, in the SAF CCD trunk's Inbound Calls CSS, a partition containing translation patterns matching the global form to the local form configured on the DNs of the lines. The call is offered to the called line.
10. In step 6., if the IP route between the two clusters is not available, the PSTN failover digit transformation rules (ToDID rules) are applied to the called number, and the resulting destination number will be used to find a match in the calling device's AAR CSS.
11. At this point, the called number should be in +E.164 form and should be used to match a route pattern pointing to a route list, route group, and gateway (or trunk) combination.

12. Once the call egresses on a gateway or trunk, transformation patterns should be used to adapt both the calling and called party numbers to the form required by the PSTN carrier. At this point, the call is launched into the PSTN.
13. Once the call reaches the remote cluster, the call is processed as usual for incoming PSTN calls.

**Note**

If the design intent were to route all calls to SAF CCD learned routes through the PSTN, such as is the case when deploying the VoPSTN approach, simply put the SAF requesting service's associated trunk(s) in a call admission control static location configured with 1 kbps of bandwidth. This will force all calls to be routed through the calling device's AAR CSS.

Dial Plan Considerations for the Intercompany Media Engine

The Cisco Intercompany Media Engine (IME) allows participating enterprises to route calls over the Internet between them. When a phone participates in the IME and places calls through trunks or gateways marked as **PSTN Access**, a record of the call is sent to the enterprise's IME server, including the calling and called numbers. This record serves to flag the pairing of numbers in two different IME-participating companies for future call routing over the Internet; if another call between these same two numbers is detected by the IME server, it instructs Cisco Unified Communications Manager (Unified CM) to route the call over the Internet.

One challenge in such pairings is ensuring the consistent normalization of numbers in all the participating IME-enabled Unified CM clusters. Because the calls are initially placed over the PSTN and because these calls can traverse the boundaries of different cities, provinces or states, or even countries, the form of the number dialed by the user will vary greatly. Similarly, different companies might have adopted different approaches when assigning DNs to lines.

Cisco recommends using the +E.164 form to identify the calling and the called numbers for calls participating in the IME service. The +E.164 form affords the normalization (for example, every number begins with + followed by the country code of the associated DID number) and the globalization required to ensure consistent results.

When calls are placed toward trunks or gateways marked as PSTN Access, the trunk or gateway's associated IME E.164 transformation profile is applied. This in turn applies a set of transformation patterns to the calling party number, as well as a set of transformation patterns to the called party number. For outgoing calls, the post-transformation numbers are used in the records sent to the IME server.

**Note**

The IME E.164 Transformation Profile is configured in Unified CM under **Advanced Features > Intercompany Media Services > E.164 Transformation**.

The Intercompany Media Services E.164 Transformation configuration allows the application of transformation patterns to outgoing calls, segregated between calling party and called party. For each, a CSS can be configured, which itself contains the partitions in which the calling/called party transformation patterns are contained. The transformations are applied to either the original number (the form the number was in as it matched the route pattern) or the routing transformed number (the form the number was in once route list transformations were applied).

For the calling party number:

The original number is the DN of the phone as it matched a route pattern, when considering the calling party settings. The routing transformed number is the DN of the phone after any calling party digit manipulations are performed through route lists.

For example, a DN configured as 85551234 is placing a call to the PSTN, to 91415551000. The call is placed through a translation pattern 91[2-9]XX[2-9]XXXXXX. The translation pattern is configured to modify the called party number to +14155551000, while changing the calling party number to +14085551234. This call then matches a route pattern \+!, configured with a route list that modifies the calling party number to 408 555 1234 and the called party number to 415 555 1000.

If the Outgoing Calling Party Settings are set to apply the transformations to the original number, then +14085551234 will be used to match a calling party transformation pattern in the Outgoing Party E.164 Transformation CSS.

If the Outgoing Calling Party Settings are set to apply the transformations to the routing transformed number, then 4085551234 will be used to match a calling party transformation pattern in the Outgoing Party E.164 Transformation CSS.

For the called party number:

The original number is the dialed number as it matches the route pattern, when considering the called party settings. In the example above, the original number is +14155551000.

The routing transformed number is the destination of the phone after any digit manipulations are performed through route lists. In the example above, it is 4155551000.

No matter to which form of the number the transformations are applied, they must yield a normalized, globalized number to be sent to the IME service.

When calls are received from trunks and gateways marked as PSTN Access, the form in which the calling and called numbers are received must be normalized and globalized before they are sent to the IME service. The Incoming Transformation Profile Settings can be used to adapt the incoming form of the calling and called numbers to the +E.164 form required by the IME service. It features an Incoming Calling Party Transformation Profile as well as an Incoming Called Party Transformation Profile. For each, a CSS can be configured, which itself contains the partitions in which the calling/called party transformation patterns are contained.

The transformations for the calling number are applied to the routing transformed number; that is, the number as processed through the Incoming Calling Party Settings at the trunk or gateway level.

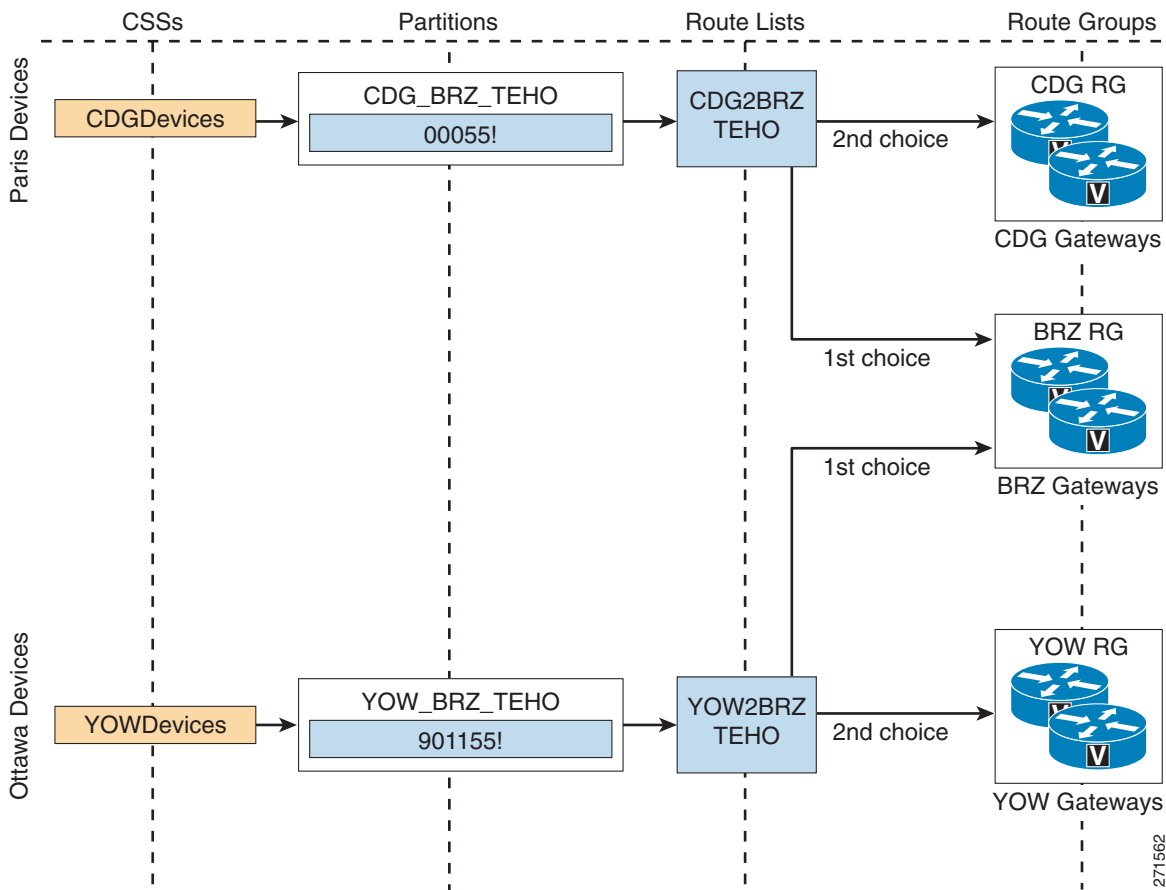
The transformations for the called number are applied to the number as it is presented into the gateway or trunk's CSS for inbound calls.

Design Guidelines for Multisite Deployments

The following guidelines and best practices apply in common to all multisite IP Telephony deployments. For deployments that involve more than one Unified CM cluster, also refer to the section on [Additional Considerations for Multi-Cluster Systems, page 9-37](#).

- To prevent routing loops, make sure the calling search spaces of all PSTN gateways do not include any partitions that contain external route patterns assigned to route lists and route groups that can send calls out the same gateway.
- When choosing DID ranges with your Local Exchange Carrier (LEC), try to select them so that no overlap occurs within a site. For example, if you use four-digit dialing within a site and you need two blocks of 1000 DIDs, the blocks (408)555-1XXX and (408)444-1XXX would overlap when reduced to four-digit numbers and would introduce additional complexity due to inbound and outbound translations.
- Allow for multiple ways of dialing emergency numbers. For example, in North America, configure both 911 and 9.911 as emergency route patterns within Unified CM.
- When automated alternate routing (AAR) is deployed, ensure that the external phone number mask or AAR Destination Mask configured on the IP phones is compatible with all the prefixes added by the various AAR groups. For example, in a multi-national deployment, do not include national access codes such as 0 in the mask unless they are part of the global E.164 address. The simplest way to configure AAR relies on the configuration of the AAR destination mask as the full E.164 address of the phone, including the + sign.
- You can force calls to on-net destinations, but dialed as PSTN calls, to be routed on-net within the cluster by adding translation patterns that match the E.164 DID ranges for each site and that manipulate the digits so they match the destination's internal extension. For example, if a DN is reachable on-net by dialing 1234, but someone within the system dials this same destination as 9 1 415 555 1234, you can force the call to be kept on-net by creating a translation pattern 9 1 415 555.1XXX, which removes all digits pre-dot and routes the call on-net to the resulting number. However, remember to configure the AAR calling search space to exclude the partition containing the "force on-net" translation patterns but to include a partition containing the regular route patterns pointing to the PSTN, so that automated PSTN failover is possible when the IP WAN is out of bandwidth.
- Within a centralized call processing cluster with N sites, you can implement Tail End Hop Off (TEHO) using one of the following methods:
 - TEHO with centralized failover
This method involves configuring a set of N route patterns in a global partition, with each pattern pointing to a route list that has the appropriate remote site route group as the first choice and the central site route group as the second choice.
 - TEHO with local failover
This method involves configuring N sets of N route patterns in site-specific partitions, with each pattern pointing to a route list that has the appropriate remote site route group as the first choice and the local site route group as the second choice. For the example in [Figure 9-5](#), in order to implement local failover TEHO routes to Brazil, a site in Paris, France would require a dedicated route pattern and route list to route the calls to the TEHO gateways in Brazil as a first choice or to the Paris gateways as a second choice. Because the pattern is linked to a site-specific route list, it cannot be reused at any other site. Likewise, the site in Ottawa, Canada requires its own dedicated route pattern pointing to an Ottawa-specific route list to allow local failover to a gateway in Ottawa.

Figure 9-5 TEHO Without Local Route Group

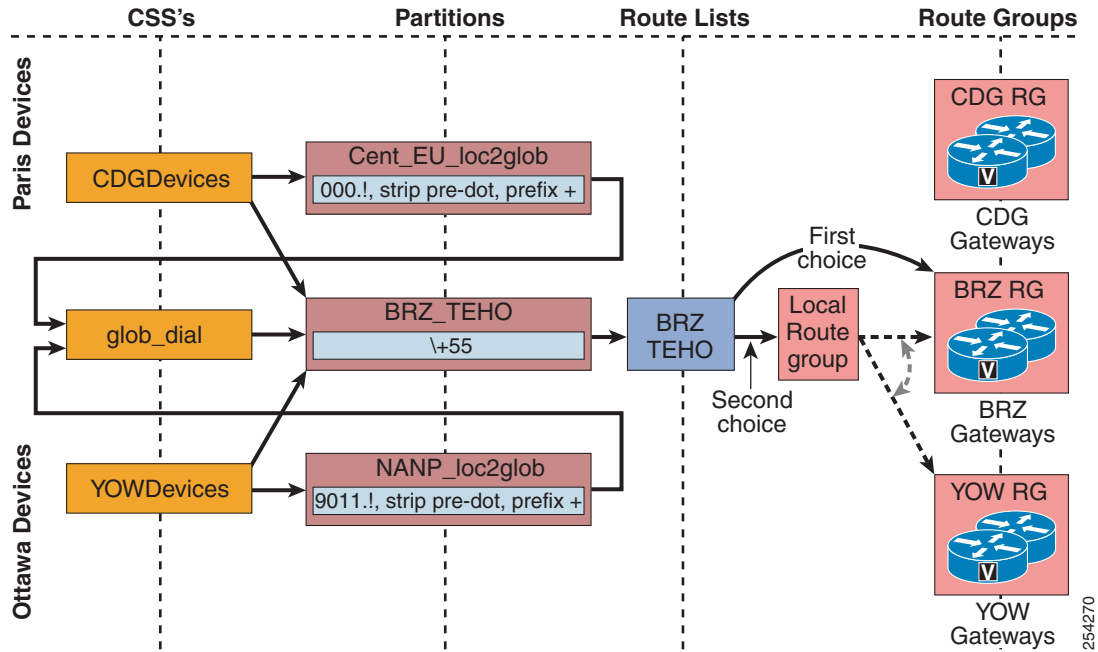


While this second approach allows for an optimal failover scenario when the remote gateway or the IP WAN is unavailable, it also introduces a high level of complexity into the dial plan because it requires a minimum of N^2 route patterns and N^2 route lists, as opposed to the N route patterns and N route lists needed with the first approach.

- TEHO with local failover with Local Route Group

The Local Route Group allows for the local failover of TEHO routes to be implemented without having to create route patterns for each site. For the example in Figure 9-6, a single TEHO pattern and route list is used by both the Paris and Ottawa sites. Because the user input for these two sites is not the same (French users dial Brazilian destinations differently than Canadian users do), the configuration relies on translation patterns to globalize the user input. The global form is then used to match a single, cluster-wide route pattern pointing to a route list whose first entry is the Brazil route group and whose second entry is the Standard Local Route Group. The local route group is resolved to the Paris route group when the calling device is in a Paris device pool, and to an Ottawa route group when the calling device is in an Ottawa device pool.

Figure 9-6 TEHO With Local Route Group



- When appropriate for your national numbering plan, you may configure an additional translation pattern at each site to catch local PSTN calls dialed as long-distance calls and to translate them into the proper abbreviated form. This translation pattern should be accessible only from phones located within the site. Such a configuration also helps simplify the AAR configuration (see [Special Considerations for Sites Located Within the Same Local Dialing Area, page 9-121](#)).
- Do not use the multilevel precedence and preemption (MLPP) feature to assign higher priority to emergency calls. An emergency-related call might not appear as such to the IP Telephony system, and you would risk terminating an existing emergency call to place another call to the main emergency service routing number. For example, an emergency situation might prompt someone to place a call to a regular ten-digit number to reach a medical professional. Preemption of this call would abort the ongoing emergency communication and could delay handling of the emergency. Also, incoming calls from emergency service personnel would be at risk of preemption by MLPP.

**Note**

A Unified CM cluster with a very large dial plan containing many gateways, route patterns, translation patterns, and partitions can take an extended amount of time to initialize when the Cisco CallManager Service is first started. If the system does not initialize within the default time, there are service parameters that you can increase to allow additional time for the configuration to initialize. For details on the service parameters, refer to the online help for Service Parameters in Unified CM Administration.

Additional Considerations for Multi-Cluster Systems

In addition to the considerations made in the previous section, observe the following best practices when designing a dial plan for a multisite deployment involving multiple Unified CM clusters:

- Avoid splitting DID ranges across multiple Unified CM clusters. This practice would make intercluster routing very difficult because summarization would not be possible. Each DID range should belong to a single Unified CM cluster.

- Avoid splitting devices within a remote site between multiple Unified CM clusters using call admission control based on static locations. Static locations-based call admission control is significant only within a cluster, and having devices belong to different clusters at the same remote site would lead to poor utilization of the IP WAN bandwidth because you would have to split the available bandwidth between the clusters. Each remote site should belong to a single Unified CM cluster. Locations can be configured in Unified CM to use RSVP as the call admission control mechanism, which allows the efficient sharing of a single site's total WAN bandwidth between phones belonging to different clusters. To take full advantage of the efficiency of RSVP-based call admission control, all phones within the remote site must be configured to use RSVP.
- Use gatekeeper-controlled intercluster trunks to route calls between Unified CM clusters. This practice enables you to add or modify clusters easily in your network without reconfiguring all other clusters.
- Implement redundancy in the connection between Unified CM and the gatekeeper by using a gatekeeper cluster and by assigning the intercluster trunk to a device pool that uses a Unified CM group with multiple servers configured.
- When sending calls to the gatekeeper, expand the called number to the full E.164 address. This practice simplifies PSTN failover when the IP WAN is not available because no additional digit manipulation is required to reroute the call via a PSTN gateway. Also, this practice eliminates the need to configure the local (calling) Unified CM with dial length information for each remote site.
- Within the gatekeeper, configure one zone per Unified CM cluster. For each cluster/zone, add zone prefix statements to match all DN ranges owned by that cluster.
- You can implement Tail-End Hop-Off (TEHO) across multiple Unified CM clusters by following these guidelines:
 - Add specific route patterns for the relevant E.164 ranges to the source (originating) Unified CM cluster, and point them to a route list that has the IP WAN route group as the first choice and the Standard Local Route Group as the second choice
 - Within the Cisco IOS gatekeeper configuration, add zone prefix statements for all the relevant E.164 ranges and point them to the appropriate Unified CM cluster
 - Ensure that the intercluster trunk calling search space in the destination Unified CM cluster includes partitions featuring route patterns that match the local PSTN numbers, and that digit manipulation is applied as needed (for example, stripping the area code before sending the call to the PSTN) by using appropriate Called Party Number Transformation Patterns.

For details on how to configure a Cisco IOS gatekeeper for distributed call processing deployments, see [Gatekeeper Design Considerations, page 8-37](#).

Choosing a Dial Plan Approach

As introduced in [Planning Considerations, page 9-4](#), there are two main approaches to a dial plan for internal destinations within an IP Telephony system:

- Uniform on-net dial plan, where each internal destination is dialed in the same way regardless of whether the caller is located in the same site or in a different site.
- Variable-length on-net dial plan, where internal destinations are dialed differently within a site than across sites. Typically, this approach uses four or five-digit abbreviated dialing for calls within a site and either full E.164 addresses or an on-net access code followed by a site code and the extension for calls across sites.

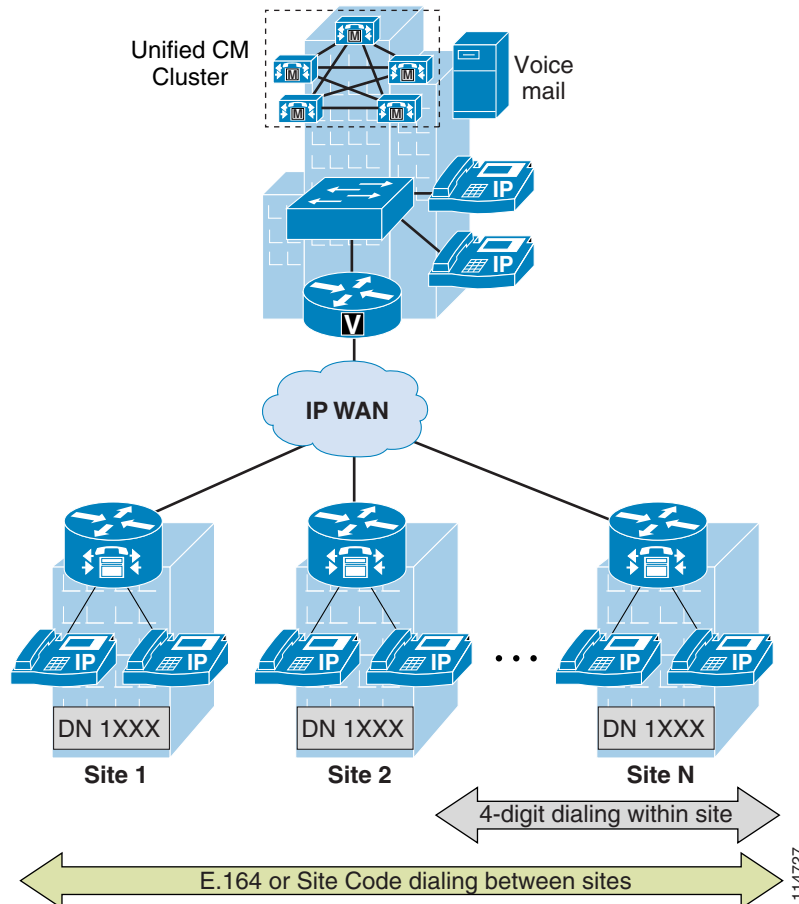
To help you decide which approach is best suited for your needs, consider the following high-level design questions:

- How many sites will eventually be served by the IP Telephony system?
- What are the calling patterns between sites or branches?
- What do users dial within a site and to reach another site?
- Are there any calling restrictions applied to on-net inter-site calls?
- What transport network (PSTN or IP WAN) will be used for most inter-site calls?
- What (if any) CTI applications are being used?
- Is there a desire for a standardized on-net dialing structure using site codes?

Uniform on-net dial plans are the easiest to design and configure; however, they work best for small to medium deployments, and they become impractical when the number of sites and users increases. They are described and analyzed in detail in the section on [Deploying Uniform On-Net Dial Plans, page 9-40](#).

Variable-length on-net dial plans are more scalable but also more complex to design and configure. [Figure 9-7](#) shows the typical requirements for a large-scale deployment using the variable-length on-net dial plan approach.

Figure 9-7 Typical Dialing Requirements for Large Multisite Deployments



With Unified CM, the main method for implementing a variable-length on-net dial plan relies on flat addressing. In this method, all internal extensions are placed in the same partition. This method is typically based on on-net site codes for inter-site calls and is analyzed in detail in the section on

[Deploying Variable-Length On-Net Dial Plans with Flat Addressing, page 9-43](#). In some cases it is possible to use this approach even when using full E.164 addresses for inter-site calls, as described in the section on [Special Considerations for Deployments Without Site Codes, page 9-50](#).

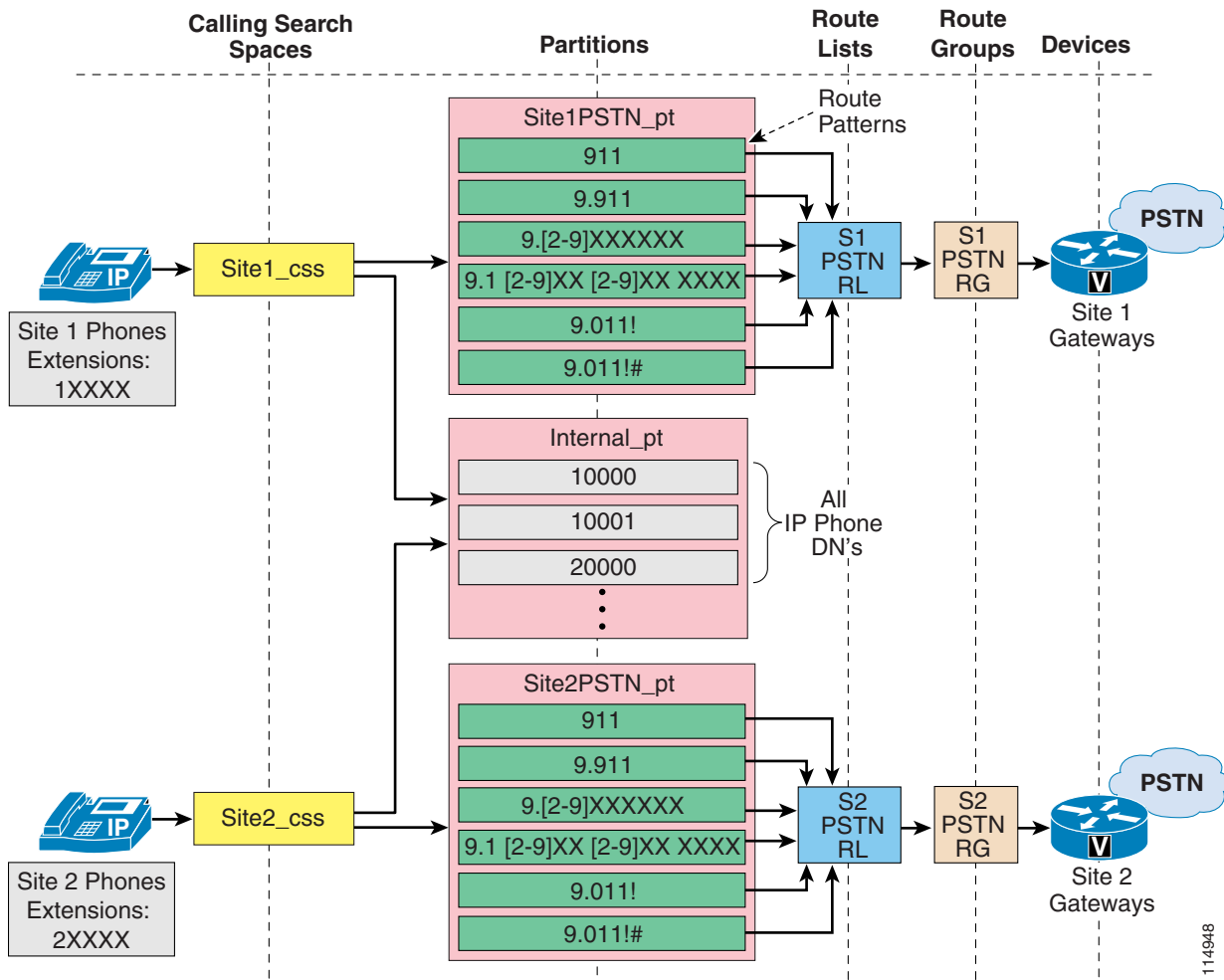
Deploying Uniform On-Net Dial Plans

You can implement a uniform on-net dial plan by following these guidelines:

- Uniquely identify all phones with an abbreviated extension.
- Place all the phone DNs in a single partition.
- At each site, place PSTN route patterns in one or more site-specific partitions, according to the chosen class-of-service approach.

[Figure 9-8](#) shows an example implementation for a single Unified CM cluster deployment.

Figure 9-8 Example of Uniform On-Net Dial Plan Deployment



Use this approach if both of the following conditions apply:

- The DID ranges available do not overlap when considering the number of digits chosen to identify internal extensions.
- The number of sites covered by the IP Telephony system is not expected to grow significantly over time.

The following sections analyze implementation details and best practices for different types of calls within the framework of uniform on-net dial plans:

- [Inter-Site Calls Within a Cluster, page 9-42](#)
- [Outgoing PSTN and IP WAN Calls, page 9-42](#)
- [Incoming Calls, page 9-42](#)
- [Voicemail Calls, page 9-42](#)

Inter-Site Calls Within a Cluster

Because all internal DNs are directly reachable from every device's calling search space, all on-net calls (intra-site and inter-site) are automatically enabled and need no additional configuration within Unified CM.

Outgoing PSTN and IP WAN Calls

PSTN calls are enabled via the site-specific partitions and route patterns, so that emergency and local calls can be routed via the local branch gateway. Long-distance and international calls may be routed via the same branch gateway (as shown in [Figure 9-8](#)) or via a centralized gateway, depending on company policy. This second option would simply require an additional route list per site, with the first-choice route group pointing to the central site gateway and, optionally, a second-choice route group pointing to the local branch gateway. To allow the reuse of route patterns between sites for PSTN calls while still allowing site-specific routing of the calls, route lists referencing the Standard Local Route Group can be used.

Abbreviated dialing to another Unified CM cluster or Cisco Unified Communications Manager Express (Unified CME) is also possible via a gatekeeper. For these IP WAN calls, Cisco recommends that you expand the abbreviated string to the full E.164 via a translation pattern before sending it to the gatekeeper.

Emergency Calls

If Cisco Emergency Responder is used for managing emergency calls, the partition containing the CTI route point used to send calls to Cisco Emergency Responder should be part of the calling search space of all phones in all branches instead of the site-specific 911 patterns as illustrated in [Figure 9-8](#). Cisco Emergency Responder will be able to identify the calling phone because there is no duplicity of DNs allowed in the internal partition. For more information on Cisco Emergency Responder considerations, refer to the chapter on [Emergency Services, page 10-1](#), and to the Cisco Emergency Responder product documentation available at

<http://www.cisco.com>

Incoming Calls

Incoming PSTN calls simply require stripping the excess digits in order to match the extension length configured in Unified CM. This can be done within the gateway configuration or, alternatively, via a translation pattern included in the gateway's calling search space.

Voicemail Calls

Because every extension is unique within the system, the extension itself can be used to configure voicemail boxes within the voicemail system. No translations are necessary to send calls to the voicemail system or to enable a Message Waiting Indicator (MWI) within Unified CM.

However, when users access the voicemail system from the PSTN, they need to be trained to enter their abbreviated extension to access their voicemail boxes.

Deploying Variable-Length On-Net Dial Plans with Flat Addressing

You can implement a variable-length on-net dial plan with flat addressing by defining phone DNs as unique strings containing an on-net access code, a site code, and the extension (for example, 8-123-1000). You can place all these DNs in the same global partition, thus enabling inter-site calls using the site code, and you can define translation patterns in site-specific partitions (one translation pattern and one partition per site) to enable abbreviated dialing within a site.

This internal structure can be hidden from the end users by configuring the Line Text Label parameter within the Directory Number configuration page with the four or five-digit number that users are accustomed to dialing within the site. The external phone number mask should also be provisioned with the corresponding PSTN number in order to enable AAR and to give users a visual indication of their own DID number on the IP phone display.

[Table 9-4](#) illustrates the basic relationship between calling search spaces and partitions at each site, without taking into account additional elements required to implement classes of service:

Table 9-4 *Calling Search Spaces and Partitions for Variable-Length Dial Plans with Flat Addressing*

Calling Search Space	Partition	Partition Contents
Site1_css	Site1Translations_pt	Translation patterns for Site 1's abbreviated dialing
	Site1PSTN_pt	PSTN route patterns for Site 1 (more partitions may be needed based on classes of service)
	Internal_pt	All IP phone DNs (unique form)
...
SiteN_css	SiteNTranslations_pt	Translation patterns for Site N's abbreviated dialing
	SiteNPSTN_pt	PSTN route patterns for Site N (more partitions may be needed based on classes of service)
	Internal_pt	All IP phone DNs (unique form)

Use this approach if one or more of the following conditions apply:

- No dialing restrictions are needed for on-net inter-site calls.
- A global on-net numbering plan using site codes is desired.
- Inter-site calls are normally routed over the IP WAN.
- CTI-based applications, such as Cisco Emergency Responder, are used across sites.



Note

If dialing restrictions need to be applied to on-net inter-site calls, or an on-net numbering plan using site codes is not desired, refer to the section on [Special Considerations for Deployments Without Site Codes](#), page 9-50, for a variant of this approach that can accommodate these needs.

The following considerations apply to this approach:

- The destination numbers of intra-site four-digit calls get expanded to the unique internal DN on the IP phone display.
- The Placed Calls directory will display the original four-digit string as dialed by the user.

- Calling number, and numbers in the Missed Calls and Received Calls directories, appear as the unique internal DN.
- To preserve the four-digit dialing feature when the IP WAN is unavailable and the branch phones are in SRST mode, you need to apply a translation rule to the **call-manager-fallback** configuration within the SRST router.
- When the branch phones are in SRST mode, the Line Text Label that masks the unique internal DN as a four-digit number on the IP phone display is not available, so the users will see their full internal DN appear instead.

To better understand how to deploy the flat addressing approach, consider again the hypothetical customer network shown in [Figure 9-9](#). In this case, it has been decided that a variable-length on-net dial plan is required, with four-digit dialing within each site (the 1XXX extension range is chosen at each site) and inter-site dialing with an eight-digit string consisting of an on-net access code (8 in this example), a three-digit site code, and the four-digit extension. The three-digit site code is derived from the NANP area code for the sites located in the United States, and from the E.164 country code followed by a site identifier for the sites located in Europe. [Table 9-5](#) summarizes the site codes chosen.

Table 9-5 Site Codes for the Customer Network in [Figure 9-9](#)

	San Jose	New York	Dallas	London	Paris	Milan
Site Code	408	212	972	442	331	392

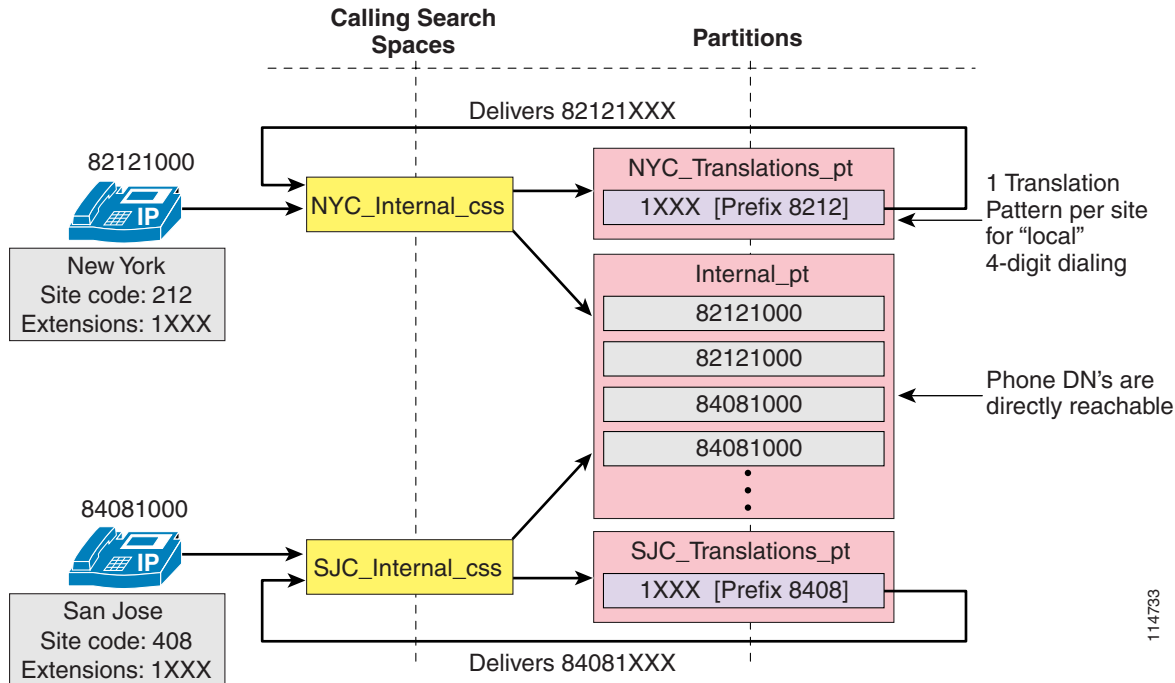
Using the US cluster from this example, the following sections analyze implementation details and best practices for different types of calls within the framework of the flat addressing approach:

- [Inter-Site Calls Within a Cluster, page 9-45](#)
- [Outgoing PSTN and IP WAN Calls, page 9-46](#)
- [Incoming Calls, page 9-49](#)
- [Voicemail Calls, page 9-49](#)
- [Special Considerations for Deployments Without Site Codes, page 9-50](#)

Inter-Site Calls Within a Cluster

Figure 9-9 shows an example configuration for inter-site calls within the US cluster.

Figure 9-9 Inter-Site Calls Within a Cluster for the Flat Addressing Method



To provide connectivity between sites and partitions, use the following guidelines:

- Place all unique DNs, including the on-net access code 8, in a global partition (named `Internal_pt` in this example).
- Create one partition per site, each containing a translation pattern that expands four-digit numbers into the fully qualified eight-digit number for that site, thus enabling abbreviated dialing within the site.
- For each site, include both the `Internal_pt` partition and the local translation partition in the phone's calling search space.

The inclusion of the on-net access code in the DN configured in Unified CM enables you to place all internal extensions in a partition directly accessible by all phones, and at the same time ensures that all call directories on the IP phones are populated with numbers that can be directly redialed.



Note

You must ensure that the on-net access code and site code combinations do not overlap with the local abbreviated dialing range at any site.

Outgoing PSTN and IP WAN Calls

Depending on how the various types of PSTN calls need to be routed (centralized gateways versus distributed gateways), the configuration may vary.

To provide on-net connectivity for inter-site calls to the Europe (EU) cluster, the following options are possible:

Option 1: Eight-Digit Numbers Only

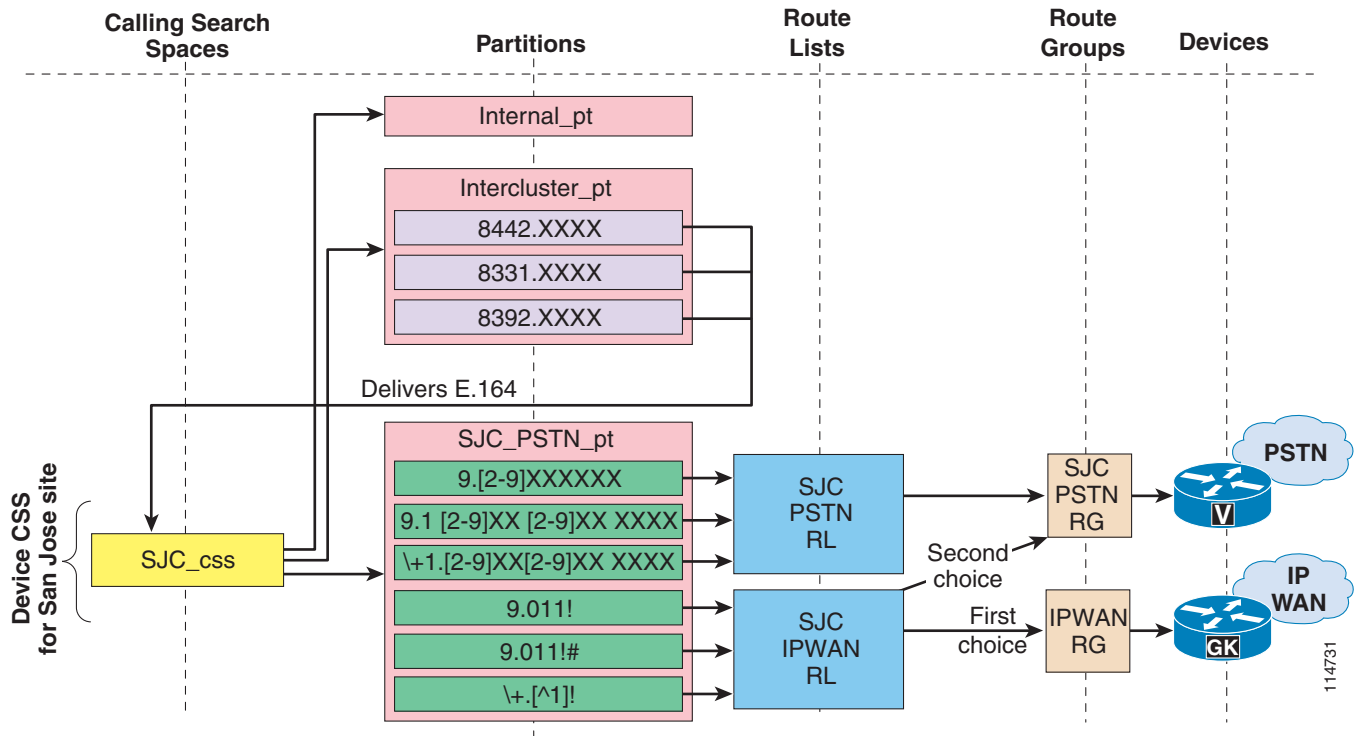
This option relies on a single route pattern that matches all eight-digit ranges (8XXXXXXX) and points to a route list or route group that contains only a gatekeeper-controlled intercluster trunk. The gatekeeper is configured to use the site codes as zone prefixes.

This solution is simple and easy to maintain because no information is needed about other clusters' site codes or E.164 ranges. However, no automatic PSTN failover is provided when the IP WAN is unavailable, and users are expected to redial manually using the PSTN access code and the E.164 address of the destination.

Option 2: Eight-Digit Numbers and E.164 Addresses with Centralized PSTN Failover

This option, illustrated in [Figure 9-10](#), uses a global set of translation patterns that match the Europe eight-digit ranges and translate them into the corresponding E.164 numbers. The translation patterns use the central site's calling search space (in this case, San Jose), and the call then matches the international PSTN route pattern within the central site's PSTN partition. At each site, the international PSTN route pattern points to a route list with the IP WAN route group as a first choice and the local PSTN route group as a second choice. The gatekeeper is configured to use the E.164 ranges as zone prefixes.

Figure 9-10 *Outgoing PSTN and IP WAN Calls for the Flat Addressing Method with Centralized PSTN Failover for IP WAN Calls*



Note

The configuration example in [Figure 9-10](#) assumes that the line/device approach to building classes of service is being used, but the same considerations apply when using the traditional approach.

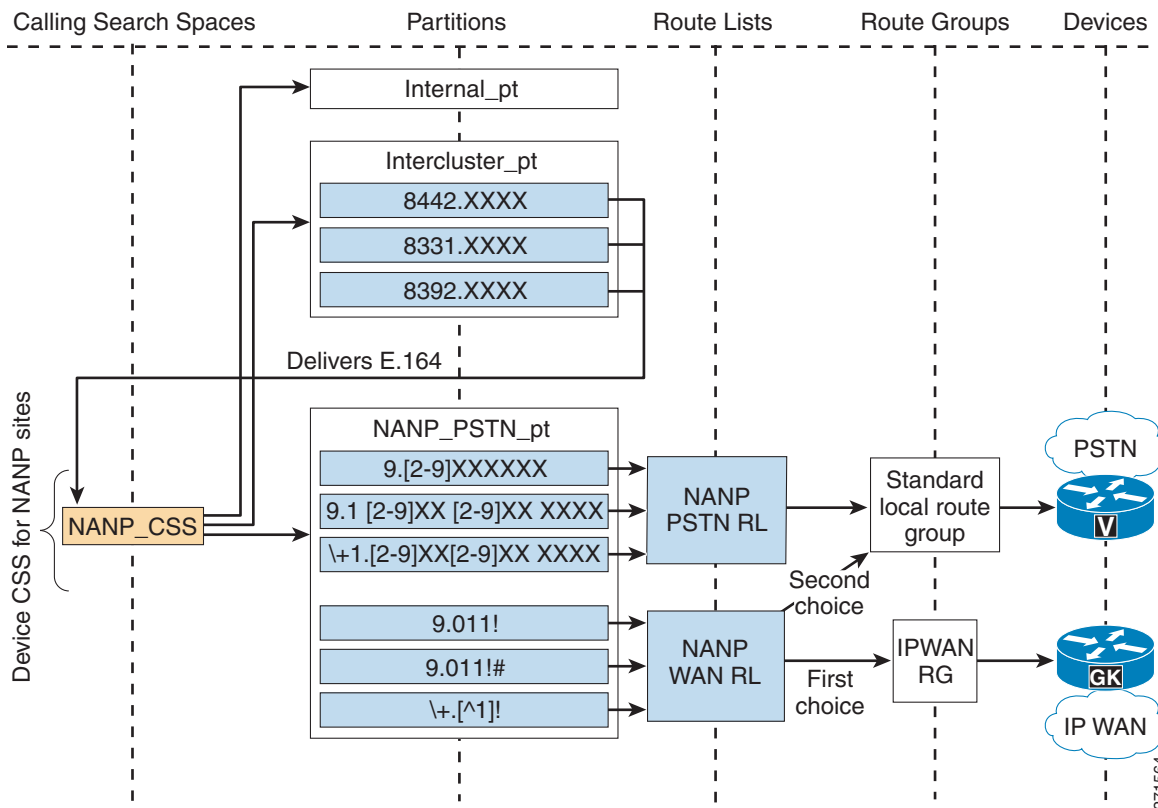
This solution requires a little more configuration and maintenance than that outlined in Option 1 because it requires that you configure and maintain information about other clusters' site codes and E.164 ranges. On the other hand, it provides automatic PSTN failover when the IP WAN is unavailable. PSTN failover is provided using the central site's gateway only, so the IP WAN bandwidth usage is not optimal.

Also observe that calls to the Europe sites dialed as PSTN calls will automatically be placed on-net if the IP WAN is available, with an automatic PSTN failover that in this case uses the local gateway.

Option 3: Eight-Digit Numbers and E.164 Addresses with Distributed PSTN Failover

This option, illustrated in [Figure 9-11](#), uses a global set of translation patterns matching the Europe eight-digit ranges and translating them into the corresponding E.164 numbers. The translation patterns use a global calling search space (used by all sites within the North American Numbering Plan), and the call then matches the international PSTN route pattern within the NANP's PSTN partition. The international PSTN route patterns point to a route list with the IP WAN route group as a first choice and the Standard Local Route Group as a second choice. The gatekeeper is configured to use the E.164 ranges as zone prefixes.

Figure 9-11 Outgoing PSTN and IP WAN Calls for the Flat Addressing Method with Distributed PSTN Failover for IP WAN Calls

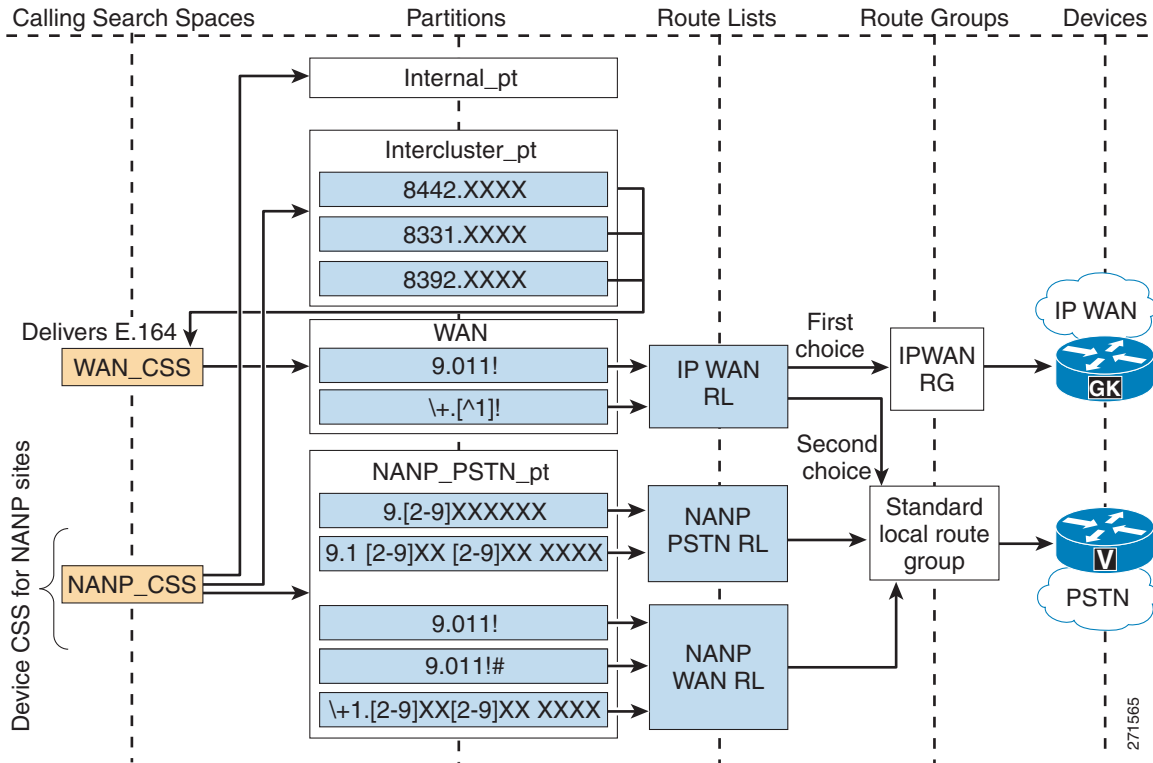


This solution provides automatic PSTN failover when the IP WAN is unavailable, using the local site's gateway so that the IP WAN bandwidth usage is optimal. Because of the advent of the Local Route Group construct, this approach practically supersedes Option 2, as it requires the same level of configuration but provides local PSTN failover.

Also in this case, as for Option 2, calls to the Europe sites dialed as PSTN calls will automatically be placed on-net if the IP WAN is available, with an automatic PSTN failover using the local gateway. This in effect offers a form of TEHO functionality to all off-net European calls originating in the NANP sites. If only the calls dialed as on-net destinations are to be sent to the IP WAN, the approach can be modified to send calls to the IP WAN only if they were originally dialed as on-net inter-cluster destinations.

[Figure 9-12](#) illustrates this approach.

Figure 9-12 IP WAN Access for Inter-Cluster Calls Only



Incoming Calls

Incoming PSTN calls require that the E.164 number be manipulated to obtain the eight-digit internal number in order to reach the destination phone. You can implement this requirement in any of the following ways:

- Configure the Num Digits and Prefix Digits fields within the Gateway Configuration page in Unified CM to strip and then prefix the needed digits.
- If you have configured translation patterns to force on-net inter-site calls within the cluster, you can reuse these patterns by simply prefixing the PSTN access code to the incoming called number on the gateway.
- If you are using an H.323 gateway, you can use translation rules within the gateway to manipulate the digits before sending the call to Unified CM.

The third approach has the advantage that the translation rules you configured can be reused to provide incoming PSTN connectivity to the IP phones when the branch is in SRST mode.

Voicemail Calls

Because every eight-digit extension is unique within the system, the extension itself can be used to configure voicemail boxes within the voicemail system. No translations are necessary to send calls to the voicemail system or to enable Message Waiting Indicators (MWIs) within Unified CM. Note that users are required to use their eight-digit on-net number when prompted for the mailbox number.

Special Considerations for Deployments Without Site Codes

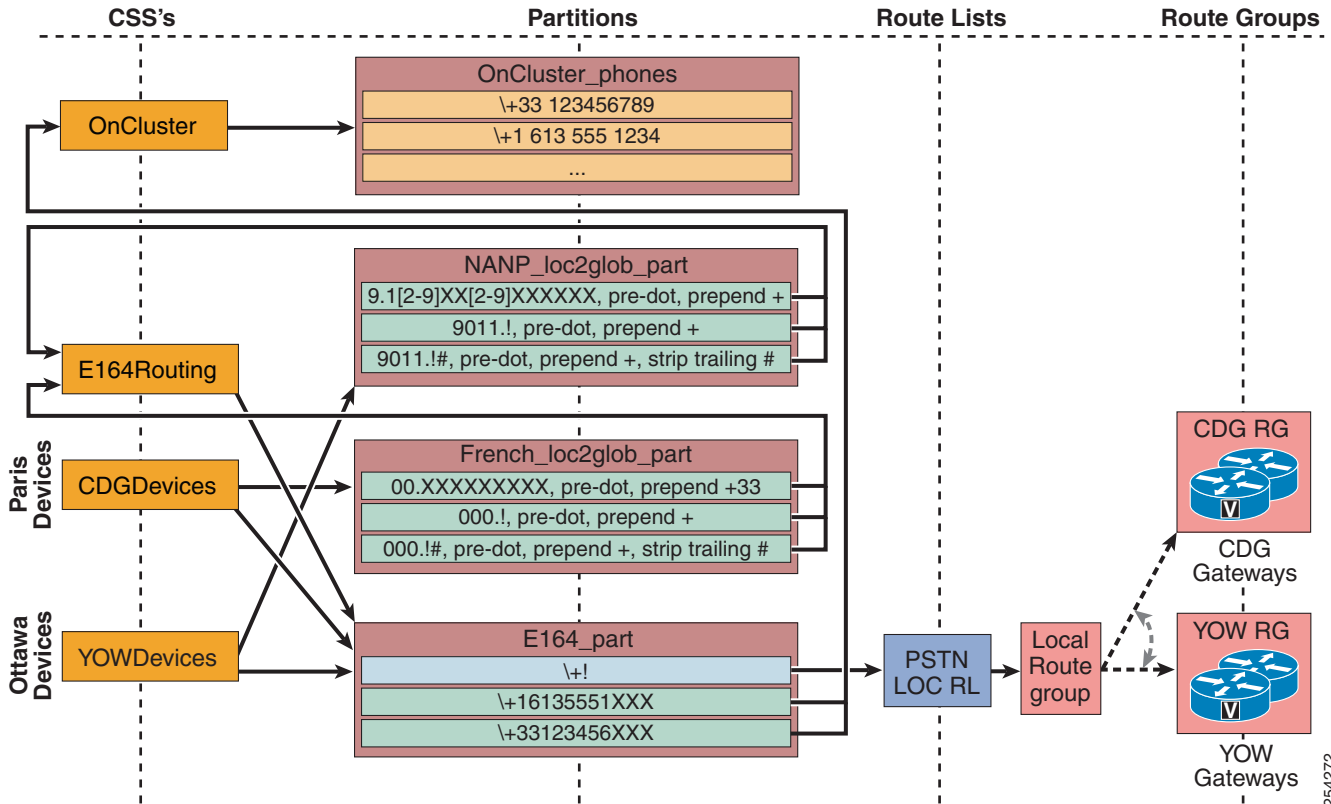
This scenario is a variant of the flat addressing approach that does not rely on the definition of an on-net numbering plan based on site codes. In this scenario, intra-site calls are still dialed as four-digit numbers, while inter-site calls are dialed as regular PSTN calls and are then intercepted and routed across the IP WAN by Unified CM.

To implement this mechanism, follow these guidelines, illustrated in [Figure 9-13](#):

- Define the phone DNs as the full E.164 addresses and place them all in the same partition (named `OnCluster_phones` in this example).
- Configure translation patterns to accept localized user input and globalize it so that a full E.164 number is obtained. The resulting globalized numbers are routed through the CSS `E164Routing`. In this example, only two device calling search spaces are required: one accepts localized user input from the Paris site, but could be reused across all French sites. The other accepts user input from the Ottawa site, but could be reused across all NANP sites.
- Configure an E.164 routing partition (`E164_part` in this example). Create the appropriate set of route patterns and route lists to route PSTN calls. In this example, we rely on a single, cluster-wide route pattern `\+!`, which is able to route all globalized destination PSTN calls to the local route group. In addition, create translation patterns that match the existing on-cluster E.164 prefixes and route calls back to the `OnCluster_phones` partition.

As a user in Paris dials a number, it is globalized through the translation patterns located in the `French_loc2glob_part` partition, and the resulting number is then routed through the `E164Routing` CSS. If the destination number is an on-cluster DN, it will simultaneously match the generic pattern `\+!` and the urgent translation pattern with the respective specific site prefix in the `E164_part` partition. The more specific site prefix will be selected, and the call will be extended to the on-cluster DN by means of the `OnCluster` calling search space. This two-step routing is required to avoid the T.302 interdigit timeout when dialing on-net destinations. If the dialed destination is not a phone on the cluster, the globalized number routed through the `E164Routing` CSS will match only the `\+!` pattern in the `E164_part` partition, and the resulting call will be routed to the PSTN.

Figure 9-13 Variable-Length Dial Plans with Flat Addressing Without Site Codes



This configuration variant allows you to simplify the dialing rules to be followed by the users. If the destination is located within the site, use abbreviated dialing (omitted from Figure 9-13 for clarity). If the destination is outside the site, whether it is on-net or off-net, dial it in the off-net PSTN form.

- Because you are effectively forcing on-net PSTN calls, remember to configure AAR so that calls can still be placed across the PSTN when the IP WAN bandwidth is not sufficient.
- The placed-calls directory displays digit strings as they were dialed by the user. For example, if the user dialed 1000 and a call was placed to phone +16135551000, the placed-calls directory would display 1000, thus allowing for direct redialing of the number without having to edit the dial string.
- The missed-calls and received-calls directories display phone numbers as they appeared when the call was offered to the phone. Because the DN's are configured as E.164 numbers with +, one-touch dialing is possible. In Figure 9-13, note that the device CSS of the phones can route calls directly to the DN's using the globalized E.164 form, including the + sign.

Deploying Dialed Pattern Recognition in SIP Phones

The dialed pattern recognition capabilities of SIP phones need to take into account the typical dialing habits to be expected from users within the enterprise. Typically any combination of the following patterns may be in use in most enterprises:

- An abbreviated dialing pattern for calls within the same site (In the case of uniform on-net dial plans, the abbreviated dialing pattern could be used for inter-site calls.)
- An inter-site dialing pattern, typically used in variable on-net dial plans when using site codes and an on-net access code such as 8
- An off-net dialing pattern for local calls
- An off-net dialing pattern for long-distance calls
- Emergency call patterns, with and without the off-net access code
- An off-net dialing pattern for international calls

Table 9-6 and Table 9-7 show an example of the SIP dial rules that could be employed in an enterprise with the following dial plan characteristics:

- Abbreviated dialing is four digits (irrespective of whether abbreviated dialing is used for inter-site calls or not)
- Inter-site calls use 8 as an on-net access code, followed by seven digits representing the site code and DN
- Emergency dialing is allowed as 911 and as 9911
- Local seven-digit calls use 9 as an off-net access code, followed by the seven digits
- Local ten-digit calls use 9 as an off-net access code, followed by the ten digits
- Long-distance calls are dialed as 91 and ten digits
- International calls are dialed as 9011 followed by a variable quantity of digits, and dialing can be terminated by #.

Pattern recognition is concerned only with automating the collection of user digit input, to be forwarded automatically to Unified CM without requiring inter-digit timeout or pressing the Dial key. All enforcement of class of service is handled by the various calling search spaces chosen from within Unified CM. That is why all phones are configured with SIP dial rules allowing the recognition of international dialing, for example, even if not all phones will be assigned to an unrestricted class of service.

The dial plan characteristics listed above are representative of the variable-length on-net dial plan with flat addressing (see [Deploying Variable-Length On-Net Dial Plans with Flat Addressing, page 9-43](#)). From the standpoint of pattern recognition, this dial plan is compatible with the uniform on-net dial plan and the variable-length on-net dial plan with partitioned addressing (see [Deploying Uniform On-Net Dial Plans, page 9-40](#)).

For each pattern in Table 9-6 and Table 9-7, the description provides the pattern in equivalent Unified CM notation. The tables provide the SIP dial rules for both the 7905_7912 and 7940_7960_OTHER cases.



Note

The 7905_7912 SIP dial rules are limited to 128 characters, and the 7940_7960_OTHER SIP dial rules are limited to 8K (8,192) characters.

Table 9-6 7940_7960_OTHER Dial Rule

Description	Pattern	Timeout	Effect
Abbreviated 2XXX	2...	0	The combination of these six ranges represents the four-digit abbreviated dialing patterns that could be used at any site. As any string matching [2-7]XXX is dialed, it is sent to Unified CM immediately (timeout = 0).
Abbreviated 3XXX	3...	0	
Abbreviated 4XXX	4...	0	
Abbreviated 5XXX	5...	0	
Abbreviated 6XXX	6...	0	
Abbreviated 7XXX	7...	0	
Inter-site dialing 8.XXXXXXX	8,.....	0	Upon recognition of 8, secondary dial tone is played and seven more digits are collected, followed by immediate forwarding to Unified CM (timeout = 0).
Emergency 911	9,11	0	Upon recognition of 9, secondary dial tone is played and the digits 11 are collected, with immediate forwarding to Unified CM (timeout = 0).
Emergency 9.911	9,911	0	Upon recognition of 9, secondary dial tone is played and the digits 911 are collected, with immediate forwarding to Unified CM (timeout = 0).
Local PSTN 7-digits	9,.....	3	Upon recognition of 9, secondary dial tone is played and seven more digits are collected. Timeout of 3 seconds allows the user to continue dialing when local PSTN ten-digits dialing is configured.
Local PSTN 10-digits	9,.....	0	Upon recognition of 9, secondary dial tone is played and ten more digits are collected, with immediate forwarding to Unified CM (timeout = 0).
Long Distance	9,1,.....	0	Upon recognition of 9, secondary dial tone is played and ten more digits are collected, with immediate forwarding to Unified CM (timeout = 0).
International with 6 seconds inter-digit timeout	9,011*	6	Upon recognition of 9, secondary dial tone is played, then 011 and a variable quantity of digits are collected. Timeout of 6 seconds allows for user to pause dialing without triggering a call to an incomplete string.
International with # as end of dialing	9,011*#	0	Upon recognition of 9, secondary dial tone is played, then 011 and a variable quantity of digits are collected, terminated by #. Immediate forwarding to Unified CM (timeout = 0).
Operator	0	0	As soon as 0 is detected, immediate forwarding to Unified CM (timeout = 0).

Table 9-7 7905_7912 Dial Rule

Description	Pattern	Effect
Abbreviated 2XXX	2...t0	The combination of these six ranges represents the four-digit abbreviated dialing patterns that could be used at any site. As any string matching [2-7]XXX is dialed, it is sent to Unified CM immediately (t 0).
Abbreviated 3XXX	3...t0	
Abbreviated 4XXX	4...t0	
Abbreviated 5XXX	5...t0	
Abbreviated 6XXX	6...t0	
Abbreviated 7XXX	7...t0	
Inter-site dialing 8.XXXXXXXXX	8.....t0	The digit 8 and seven more digits are collected, followed by immediate forwarding to Unified CM (t0).
Emergency 911	911t0	The digits 911 are collected, with immediate forwarding to Unified CM (t0).
Emergency 9.911	9911t0	The digits 9911 are collected, with immediate forwarding to Unified CM (t0).
Local 7-digits and LD	9.....t4>#....t1	The digit 9 and seven more digits are collected, with 4 seconds allowed for up to four other digits to be dialed. If another four digits are entered, they are sent to Unified CM after 1 second. The # would be recognized as the terminating character after 9 and seven digits are entered.
International	9011>#t6-	The digits 9 011 and a variable quantity of other digits are collected. Timeout of 6 seconds allows for user to pause dialing without triggering a call to an incomplete string. The # is allowed as terminating character.
Operator	0	As soon as 0 is detected, immediate forwarding to Unified CM (timeout = 0).

Building Classes of Service for Unified CM

Unified CM offers two main approaches to defining and applying classes of service to users and devices: the traditional approach and the line/device approach. The fundamental elements addressed for each approach include the types of calls to be allowed (for example, local, national, or international) and the path taken by the calls (for example, IP network, local gateway, or central gateway). Both elements depend on the calling search space configuration. The following sections describe the two main approaches used in Unified CM systems to implement classes of service. Both approaches are based on the fundamental functionality of the line and device calling search space.

The device calling search space can be determined dynamically based on where in the network the phone is physically located, as determined by the phone's IP address, if Device Mobility is configured. See [Device Mobility, page 9-122](#), for more details.

Building Classes of Service for Unified CM with the Traditional Approach

With Unified CM, you can define classes of service for IP Telephony users by combining partitions and device calling search spaces with external route patterns, as follows:

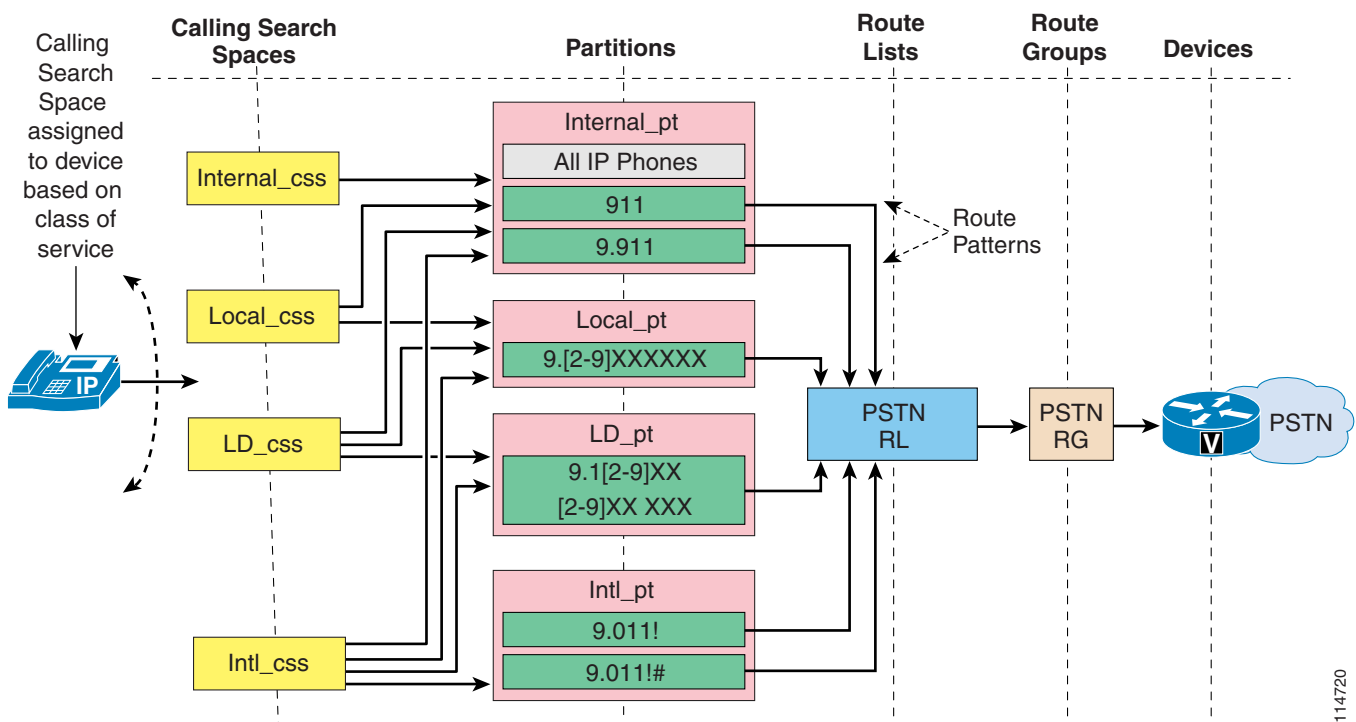
- Place external route patterns in partitions associated with the destinations they can call. While you could place all route patterns in a single partition, you can achieve more refined call restriction policies by associating the route patterns with partitions according to the destinations they can call.

For example, if you place local and international route patterns in the same partition, then all users can reach both local and international destinations, which might not be desirable. Cisco recommends that you group route patterns in partitions according to the reachability policies for the various classes of service.

- Configure each calling search space to be able to reach only the partitions associated with its call restriction policy. For example, configure the local calling search space to point to the internal and local partitions, so that users assigned to this calling search space can place only internal and local calls.
- Assign these calling search spaces to the phones by configuring them on the Unified CM device pages. In this way, all lines configured on the device automatically receive the same class of service.

Figure 9-14 shows a simple example for a single-site deployment.

Figure 9-14 Basic Example of Classes of Service Using the Traditional Approach



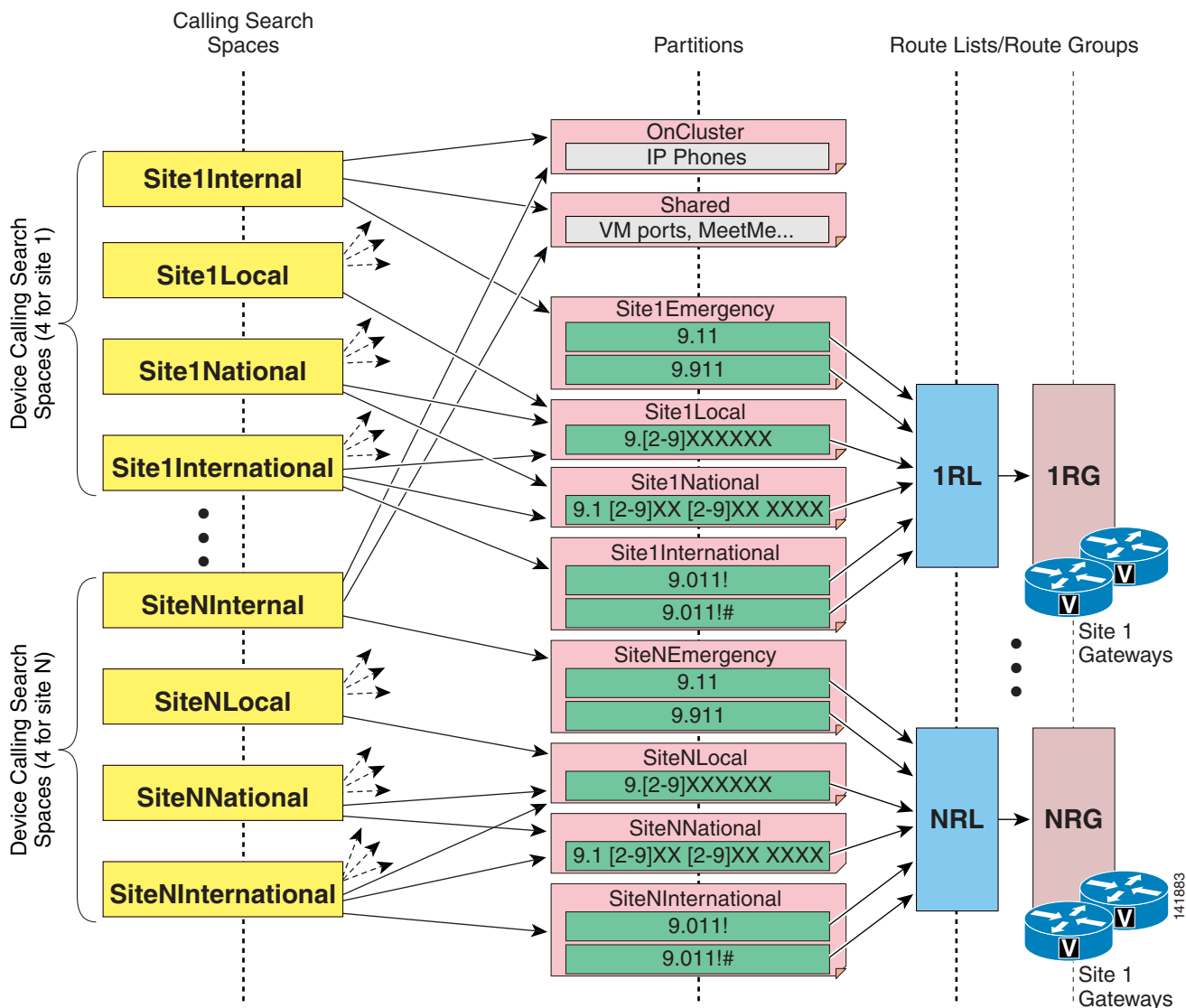
With this approach, the device calling search space performs two distinct logical functions:

- **Path selection**
The calling search space contains specific partitions, which in turn contain specific route patterns that point to specific PSTN gateways through route lists and their associated route groups.
- **Class of service**
By selectively including certain partitions and not others in the device calling search space, you effectively apply calling restrictions to certain groups of users.

As a consequence, when you apply this approach to a multisite deployment with centralized call processing, you have to replicate partitions and calling search spaces for each site because for each site you have to create classes of service and, at the same time, route the PSTN calls out of the local branch gateways, as illustrated in Figure 9-15. Alternatively, you can configure the route patterns to point to

route lists referencing the Standard Local Route Group, thus allowing the actual egress gateway to be determined by the calling phone's device pool. This allows for the pattern to be reused between sites while retaining site specificity of call routing.

Figure 9-15 Calling Search Spaces and Partitions Needed with the Traditional Approach



To facilitate on-net dialing between sites when applying this dial plan approach to a multisite deployment with centralized call processing, place all IP phone DNs in an on-cluster or internal partition that can be reached from the calling search spaces of all sites. Note that this is not possible if the IP phone DNs overlap.

Extension Mobility Considerations with the Traditional Approach

When using the Extension Mobility feature, the dialing restrictions of a phone are a function of the logged-in (or logged-out) status of the phone. Typically, a logged-out phone should be restricted to calling other phones and services (such as 911), but access to local or toll calls through the PSTN are

restricted. Conversely, a phone where a user is logged-in should allow calls according to that user's dialing privileges and should route those calls to the appropriate gateway (for example, a co-located branch gateway for local calls).

With the traditional approach for building classes of service, consider the following guidelines to apply calling restrictions when using Extension Mobility:

- At each site, configure the device calling search space for all IP phones to point to only PSTN emergency services (using the local gateway).
- Configure the line calling search spaces for IP phones used for Extension Mobility in a logged-out state to point to internal numbers only.
- For each Extension Mobility user, configure the line calling search space within the device profile to point to internal numbers and the additional PSTN route patterns allowed for their specific class of service (again, using an appropriate gateway according to company policy).

Note that, when an Extension Mobility user who is normally based in Site 1 logs into an IP phone in Site 2, the path selection for PSTN calls will change as follows:

- Emergency calls will be correctly routed using Site 2's PSTN gateway because the emergency services are provided by the device calling search space of the IP phone at Site 2.
- All other PSTN calls will be routed according to the Extension Mobility user's profile (more specifically, the line calling search space configured in the device profile). Typically, this means that these PSTN calls will traverse two WAN links and use Site 1's gateway to access the PSTN.

You can use one of the following methods to modify this behavior and ensure that PSTN calls are always routed via the local PSTN gateway even when Extension Mobility users roam across different sites:

- Include local PSTN route patterns in the device calling search space and remove them from the line calling search space within the device profile. This method ensures that local PSTN calls will be routed via the co-located branch gateway, but it also means that users will be able to dial these calls even without logging into the IP phones. Long-distance and international calls will still be routed according to the Extension Mobility user's device profile, so this solution is suitable only if these calls are usually routed via a centralized gateway.
- Define multiple device profiles for each user, one for each site to which they usually roam. Each device profile is configured so that its line calling search space points to PSTN route patterns that use the local gateway for that site. This method might prove burdensome to configure and manage if a significant number of users roam to a significant number of sites.
- Implement the line/device approach described in the next section on [Building Classes of Service for Unified CM with the Line/Device Approach, page 9-57](#).

**Note**

When Cisco Emergency Responder is used, the site-specific calling search space configured on the device should include the partition containing the 911 CTI route point pointing to Cisco Emergency Responder. This same partition can also contain a translation pattern 9.911 pointing to the same 911 CTI route point, to allow users to dial 9911 when trying to reach emergency services.

Building Classes of Service for Unified CM with the Line/Device Approach

The traditional approach outlined in the preceding section can result in a large number of partitions and calling search spaces when applied to large multisite deployments with centralized call processing. This configuration is required because the device calling search space is used to determine both the path selection (which PSTN gateway to use for external calls) and the class of service.

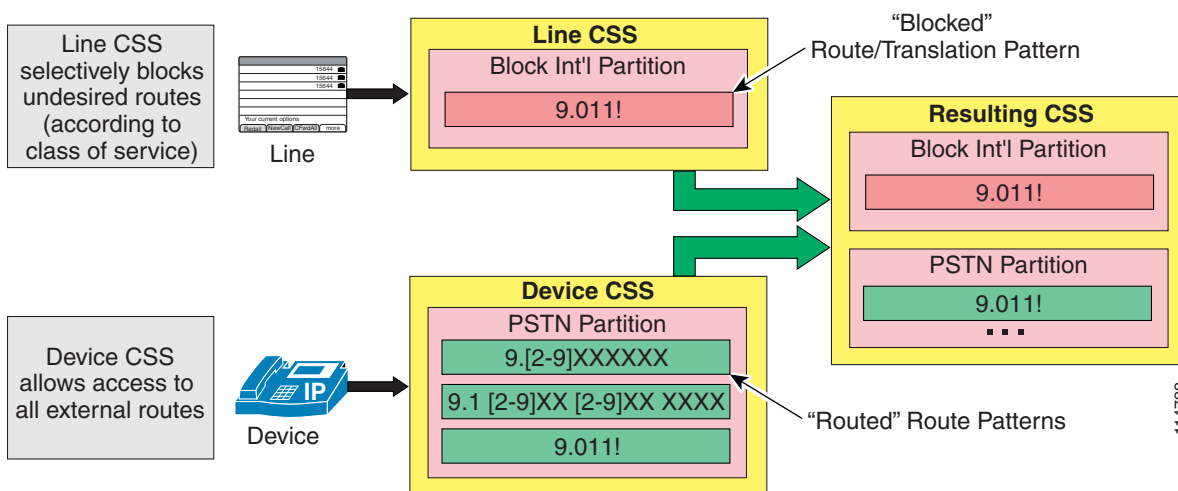
It is possible to significantly decrease the total number of partitions and calling search spaces needed by dividing these two functions between the line calling search space and the device calling search space, in what is called the *line/device approach*.

Keeping in mind how the line calling search space and the device calling search space for each given IP phone are combined within Unified CM, and how the line calling search space partitions appear first in the resulting calling search space (see [Calling Privileges in Unified CM, page 9-110](#)), you can apply the following general rules to the line/device approach:

- Use the device calling search space to provide call routing information (for example, which gateway to select for PSTN calls).
- Use the line calling search space to provide class-of-service information (for example, which calls to allow).

To better understand how to apply these rules, consider the example shown in [Figure 9-16](#), where the device calling search space contains a partition with route patterns to all PSTN numbers, including international numbers. The route patterns point to a PSTN gateway via the route list and route group construct.

Figure 9-16 Key Concepts in the Line/Device Approach



At the same time, the line calling search space contains a partition with a single translation pattern that matches international numbers and that has been configured as a blocked pattern.

The resulting calling search space therefore contains two identical patterns matching international numbers, with the blocked pattern in the line calling search space appearing first. The result is that international calls from this line will be blocked.

It is possible to use route patterns instead of translation patterns to block calls within the line calling search space. To configure a blocked route pattern, first create a "dummy" gateway with an unused IP address and place it into a "dummy" route list and route group construct. Then point the route pattern to the dummy route list. The main difference between using a route pattern and a translation pattern to block calls is the end-user experience when trying to dial a blocked number, as follows:

- When a route pattern is used, the end users will be able to dial the entire number and only then will they hear a fast-busy tone.

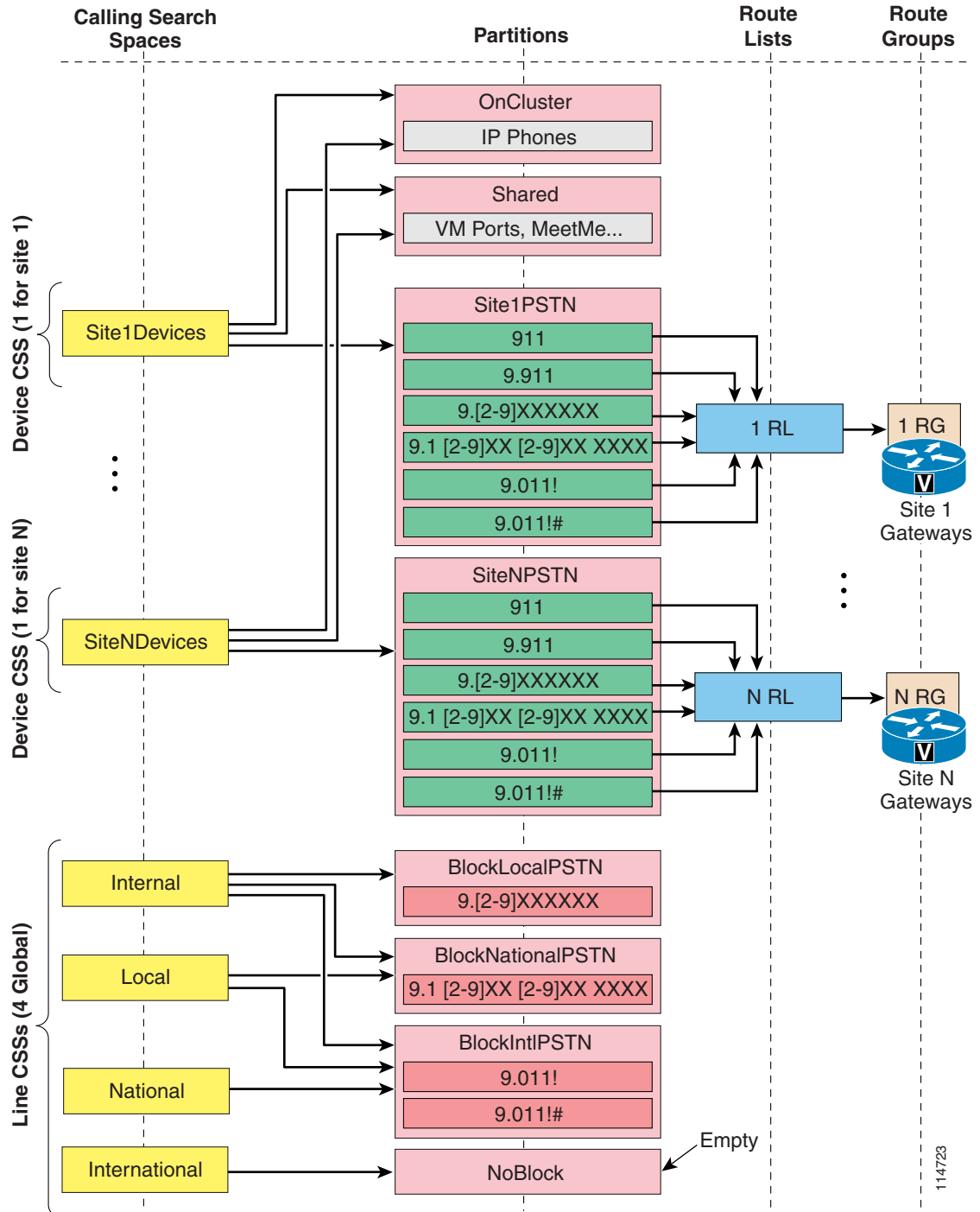
- When a translation pattern is used, the end users will hear a fast-busy tone as soon as the number they are dialing can no longer match any allowed pattern. This behavior assumes an IP phone running SCCP, or an Type-B IP phone running SIP with no SIP dial rules configured in the phone.

Follow these guidelines to implement the line/device approach in a multisite deployment with centralized call processing:

- Create an unrestricted calling search space for each site and assign it to the phone's device calling search space. This calling search space should contain a partition featuring route patterns that route the calls to the appropriate gateway for the phone's location (for example, a co-located branch gateway for emergency services and a centralized gateway for long-distance calls).
- Create calling search spaces containing partitions featuring blocked translation/route patterns for those types of calls not part of the user's dialing privileges, and assign them to the user's lines. For instance, if a user has access to all types of calls except international, that user's line (or lines) should be configured with a calling search space that blocks the 9.011! route pattern.

Figure 9-17 shows an example of how these guidelines can apply to a multisite deployment with N sites.

Figure 9-17 Calling Search Spaces and Partitions Needed with the Line/Device Approach



This approach has the significant advantage that only a single site-specific, unrestricted calling search space is required for each site (that is, one per branch). Because the dialing privileges are implemented through the use of blocked route patterns (which are not site-dependent), the same set of blocking calling search spaces can be used in all branches.

Consequently, you can use the following formulas to calculate the total number of calling search spaces and partitions needed:

Total Partitions = (Number of classes of service) + (Number of sites) + (1 Partition for all IP phone DNs)

Total Calling Search Spaces = (Number of classes of service) + (Number of sites)

**Note**

These values represent the minimum numbers of partitions and calling search spaces required. You may need additional partitions and calling search spaces for special devices and applications, as well as for on-net patterns for other call processing agents.

**Note**

If Cisco Emergency Responder is used, the 911 CTI route pattern and 9.911 translation pattern can be placed in the global On-Cluster partition.

When applied to centralized call processing deployments with large numbers of sites, the line/device approach drastically reduces the number of partitions and calling search spaces needed. For example, a deployment with 100 remote sites and 4 classes of service requires at least 401 partitions and 400 calling search spaces with the traditional approach but only 105 partitions and 104 calling search spaces with the line/device approach.

However, the line/device approach relies on the fact that you can globally identify the types of PSTN calls that must be restricted for certain classes of service (for example, local, long-distance, and international calls). If the national numbering plan of your country does not allow this global identification of the different types of calls, the efficiency of this approach (in terms of configuration savings) is lower than that indicated in the formulas above.

For example, in France the numbering plan is based on five area codes, from 01 to 05 (plus the 06 area code for cellular phones), followed by eight digits for the subscriber number. The key characteristic is that each PSTN destination is reached by dialing exactly the same number (for example, 01XXXXXXXX for Paris numbers, 04XXXXXXXX for Nice numbers, and so on), whether calling from the same local area or from a different area. This means that it is not possible to block access to long-distance calls with a single partition and a single route pattern because the concept of "long-distance call" changes depending on the area where the calling party is located. (For example, a call to 014455667788 is a local call if the caller is in Paris but a long-distance call if the caller is in Nice or Lyon.)

In such cases, you will have to configure additional sets of blocking calling search spaces and partitions, one for each area within which local and long distance calls are dialed the same way. In the example of France, you would have to define five additional blocking calling search spaces and partitions, one for each area code, as shown in [Table 9-8](#):

Table 9-8 *The Line/Device Approach Applied to the French National Numbering Plan*

Calling Search Space	Partition	Blocked Route Patterns
Internal_css	BlockAllNational_pt	0.0[1-6]XXXXXXXX
	BlockIntl_pt	0.00!, 0.00!#
Local01_css	BlockLD01_pt	0.0[2-6]XXXXXXXX
	BlockIntl_pt	0.00!, 0.00!#
Local02_css	BlockLD02_pt	0.0[13-6]XXXXXXXX
	BlockIntl_pt	0.00!, 0.00!#

Table 9-8 The Line/Device Approach Applied to the French National Numbering Plan

Calling Search Space	Partition	Blocked Route Patterns
Local03_css	BlockLD03_pt	0.0[124-6]XXXXXXXX
	BlockIntl_pt	0.00!, 0.00!#
Local04_css	BlockLD04_pt	0.0[1-356]XXXXXXXX
	BlockIntl_pt	0.00!, 0.00!#
Local05_css	BlockLD05_pt	0.0[1-46]XXXXXXXX
	BlockIntl_pt	0.00!, 0.00!#
LD_css	BlockIntl_pt	0.00!, 0.00!#
Intl_css	NoBlock_pt	none

Guidelines for the Line/Device Approach

Consider the following guidelines when using the line/device approach:

- For this approach to work, the blocked patterns configured within the line calling search space must be at least as specific as the route patterns configured within the device calling search space. Wherever possible, Cisco recommends that you configure the blocked patterns as more specific than the routed ones, to avoid any possibility of error. Use extra care when dealing with the @ wildcard because the patterns defined within it are very specific.
- AAR is triggered when on-net DNs are dialed. Access to these DNs can be controlled by the same processes described previously. AAR uses a different calling search space for rerouted calls. In most cases, the AAR calling search space can be the same as the site-specific, unrestricted device calling search space because it can never be dialed directly by end users.
- Refer to the section on [Call-Forward Calling Search Spaces, page 9-113](#), for guidance on using the line/device approach for Call Forward All actions.



Note

The priority order between line and device is reversed for CTI devices (CTI route points and CTI ports). For these devices, the partitions in the device calling search space are placed before the line calling search space in the resulting calling search space. Therefore, the line/device approach cannot be applied to CTI devices such as Cisco IP SoftPhone unless you are careful not to rely solely on the concatenation order for pattern selection but instead ensure that the desired blocked pattern's precision is greater in all cases than that of the permitted pattern(s).

Globalized Numbers and Class of Service

System administrators using the line-device approach for calling search spaces should be aware that the blocked patterns used in the line CSS of endpoints might have to block not only the localized form but also the globalized form of calls. While the localized form of a number lends itself to classification as local, regional, or national, the globalized form does not. This can lead to class-of-service disparities, where direct user dialing is subjected to a class of service while one-touch dialing from the missed and received calls lists is not.

For example, consider creating a local class of service for the city of Ottawa, Ontario, Canada. All local calls in Ottawa fall into the area codes 613 and 819, and local calling is implemented using 10-digit dialing. If only localized user input is allowed on a phone in Ottawa, the class of service "local" can be imposed on a phone by allowing only calls made in the form 9[2-9]XX[2-9]XXXXXX. Any call made

to a national (long distance) destination would start with a different dialing form (off-net access code 9 followed by the national steering code 1, followed by the number), as would international calls (9 followed by 011). The form of the call defines its class.

If one-touch redial is to be implemented, the global form of local numbers is to be allowed in the phone's dial plan. For a dial plan based on line-device approach, where class-of-service is implemented through blocked patterns addressed by line calling search spaces, this means that a series of blocked patterns has to be implemented to allow only calls to area codes 613 and 819. This could be achieved, for example, by the following blocked patterns:

```
\+1[^68]!  
\+16[^1]!  
\+161[^3]!  
\+18[^1]!  
\+181[^9]!
```

Typically we require a blocked pattern per significant digit and digit string to be allowed. The above set of blocked patterns would allow local calls to be one-touch dialed from the missed or received calls list.

The situation becomes more complicated, however, because not all 613 and 819 area code destinations are local calls. While the localized patterns will permit a user to initiate a call only to local destinations (by dialing 9 819 or 9 613 as the beginning of the dial string), the globalized patterns will allow a user to receive a call from a non-local number in area code 613 or 819, go to the received calls list, and one-touch dial the number back, matching the globalized patterns. In such instances, the global form blocked patterns should be refined to represent exactly the local calling area. For the example above, this would entail defining the exact subset of area codes 613 and 819 that are within the local calling area for Ottawa. The set of refined blocked patterns can become very complex, depending on the structure of the local calling area.

Also, these +E.164 blocked patterns, in contrast to the localized form, are site-specific and cannot be reused for other sites. The line calling search space inherits this site specificity, so that the line calling search space implementing class-of-service "local" for Ottawa in the above example is specific to the site in Ottawa. This fundamentally breaks the whole idea of the line-device approach to decrease the number of required calling search spaces by creating classes of services through site-unspecific calling search spaces that can be used universally for all sites.

Extension Mobility Considerations for the Line/Device Approach

When using the Extension Mobility feature, the line/device approach provides a natural way to implement the dialing restrictions of a phone as a function of the logged-in (or logged-out) status of the phone. Typically, a logged-out phone should be restricted to calling other phones and services (such as 911), but access to local or toll calls through the PSTN are restricted. Conversely, a phone where a user is logged-in should allow calls according to that user's dialing privileges and should route those calls to the appropriate gateway (for example, a co-located branch gateway for local calls).

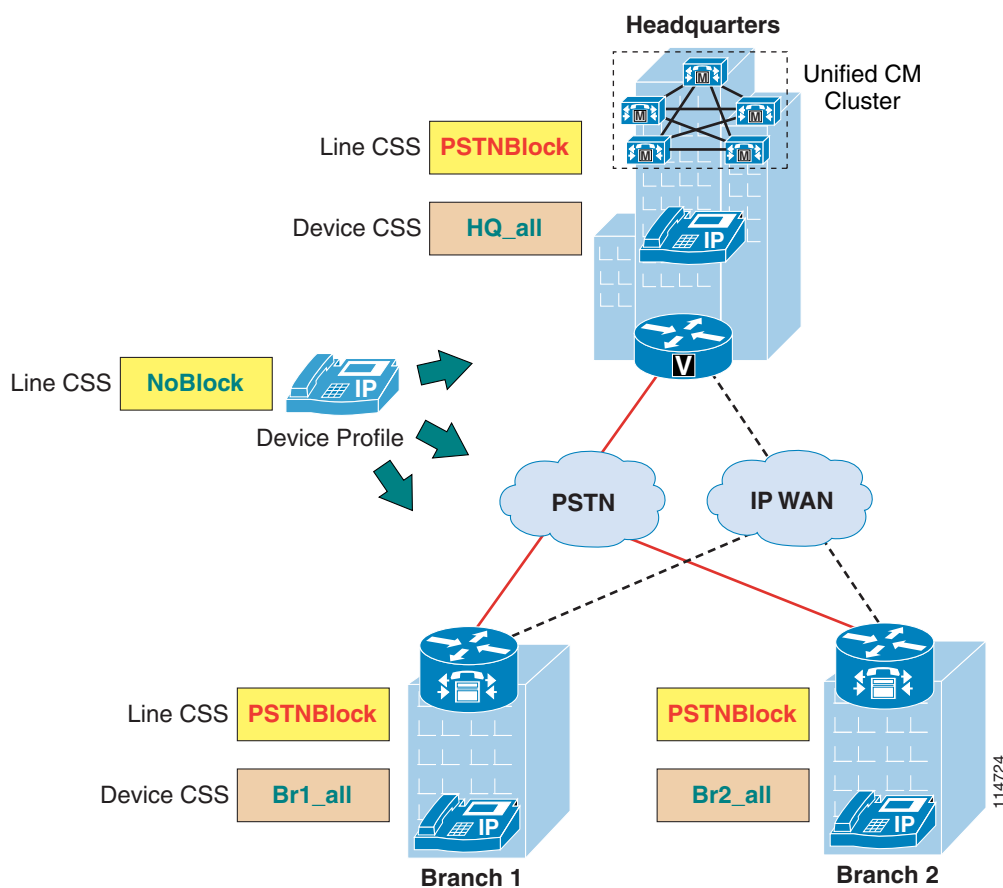
With the line/device approach for building classes of service, you can simply apply the same rules described in the previous section to the Extension Mobility device profile construct. Consider the following guidelines to apply calling restrictions when using Extension Mobility:

- At each site, configure the device calling search space for all IP phones to point to a site-specific partition that contains all possible PSTN route patterns and that routes them appropriately (for example, using the local gateway for emergency and local calls and a centralized gateway for long distance calls).

- Configure the line calling search space for all IP phones (or the line calling search space for the default logout device profile) to point to a global calling search space featuring blocked translation/route patterns that block all calls except those to be allowed when no user is logged in (for example, internal extensions and emergency services).
- For each Extension Mobility user, configure the line calling search space within the device profile to point to a global calling search space featuring blocked translation/route patterns to selectively block the PSTN calls that are not to be allowed for their specific class of service (for example, block only international calls). If some users must have unrestricted calling privileges, assign them to a line calling search space featuring an empty partition.

The key advantage of using the line/device approach for extension mobility is that, in a multisite deployment with centralized call processing, appropriate call routing is ensured even when users log in to IP phones located at branch sites different from their home site, as illustrated in [Figure 9-18](#).

Figure 9-18 Extension Mobility with the Line/Device Approach



As described previously in this chapter, the line calling search space configured within the device profile replaces the line calling search space configured on the physical IP phone when a user logs in through Extension Mobility. Because the call routing is correctly determined by the device calling search space, the login operation is used merely to "unlock" the phone by removing the phone's line calling search space (which contains blocked patterns) and replacing it with the device profile's line calling search space (which does not contain blocked patterns in this simplified example).

Because all the call routing is done within the device calling search space while the line calling search space only introduces blocked patterns, whenever a user logs in at a different site from their home site, they will automatically inherit all the local dialing habits for that site. For example, assume that phone DNs are defined as eight-digit numbers, but four-digit dialing is provided within each site by local translation patterns. In this case, a user roaming to a different site will not be able to dial a colleague at the home site by using only four digits because the four-digit number will now be translated according to the rules of the host site where the user logged in.

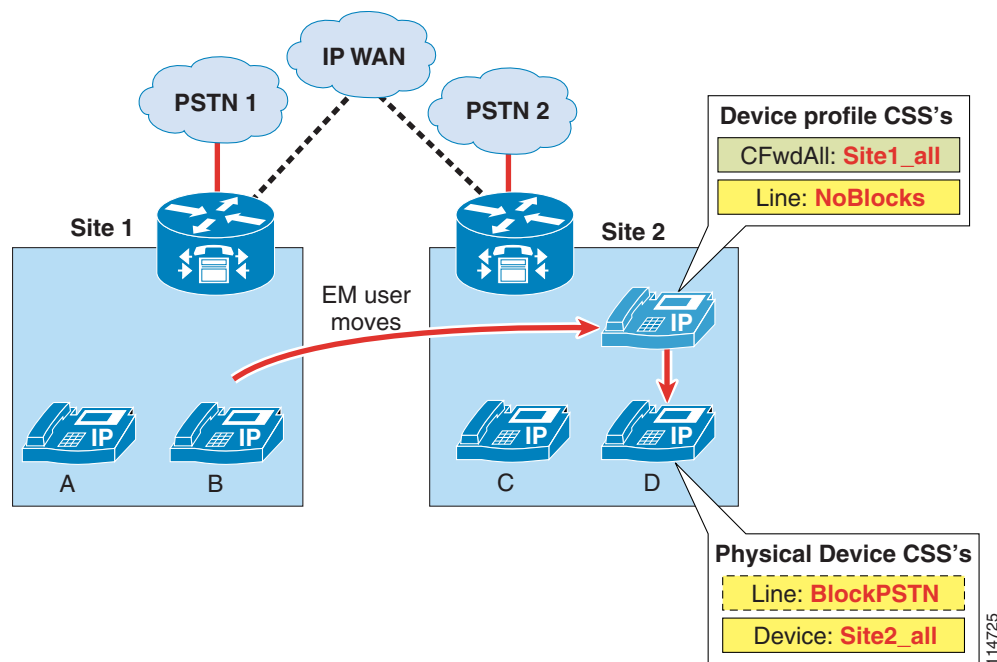
In summary, when you use the line/device approach for Extension Mobility, end-users have to adopt the dialing behavior of the site where they logged in.

Call Forwarding Considerations

When applying the Line/Device calling search space approach to a centralized call processing environment with Extension Mobility, you should be aware of the call forwarding behavior if users need to be allowed to forward all their calls to external PSTN numbers.

In [Figure 9-19](#), an Extension Mobility user is normally based in Site 1, with a device profile allows the user to place unrestricted PSTN calls and to forward all incoming calls to any PSTN number.

Figure 9-19 Call Forwarding Considerations for Extension Mobility with the Line/Device Approach



As described in the section on [Call-Forward Calling Search Spaces, page 9-113](#), the Forward All calling search space is not concatenated with the line or the device calling search spaces and therefore needs to be set to Site1_all, which includes all PSTN routes using the Site 1 gateway.

When this user moves to Site 2 and logs into phone D, the user's device profile applies its line calling search space and Forward All calling search space(s) to the physical device. For direct PSTN calls, the calling search space used is the concatenation of the line and device calling search space, and phone D's device calling search space (Site2_all) correctly points to the Site 2 gateway.

If the user now configures the phone to forward all calls to a PSTN number, any forwarded call will use the Site1_all calling search space, which still points to the Site 1 gateway. This condition results in the following behavior:

- Incoming PSTN calls enter the IP network at the Site 1 gateway and are hairpinned back into the PSTN within the same gateway.
- Calls originating from Site 1 phones (such as phone A) are correctly forwarded to the PSTN via the Site 1 gateway.
- Calls originating from Site 2 phones (such as phone C) traverse the WAN to Site 1 and access the PSTN via the Site 1 gateway. The same behavior applies to calls originating from other sites within the same Unified CM cluster.

Keep this behavior in mind when designing the network and training the users.

Building Classes of Service for Unified CM for +E.164 Dial Plans with the Traditional Approach and Local Route Group

Trying to support globalized +E.164 dialing with the line-device approach has the problem that the required blocked patterns for some classes of service make the line calling search spaces site-specific, which negates the design goal of the line-device approach to minimize the number of required calling search spaces by using site-unspecific line calling search spaces addressing the appropriate blocked patterns. With that in mind, the advantage of the line-device approach over the traditional approach seems to be minimal, especially since the introduction of the concept of local route groups with Unified CM 7.0. The use of local route groups allows the administrator to move the site-specific egress gateway selection from the route pattern to the local group selection specific to the calling device. This selection process uses the local route group configured in the calling device's device pool.

The main difference of this approach is that the effective class of service is not the result of combining route patterns on the device blocked patterns on the line, but is the direct result of any pattern addressed by the single class-of-service specific calling search space. (See [Figure 9-20](#).)

Figure 9-20 Class of Service "International" for +E.164 Dial Plans

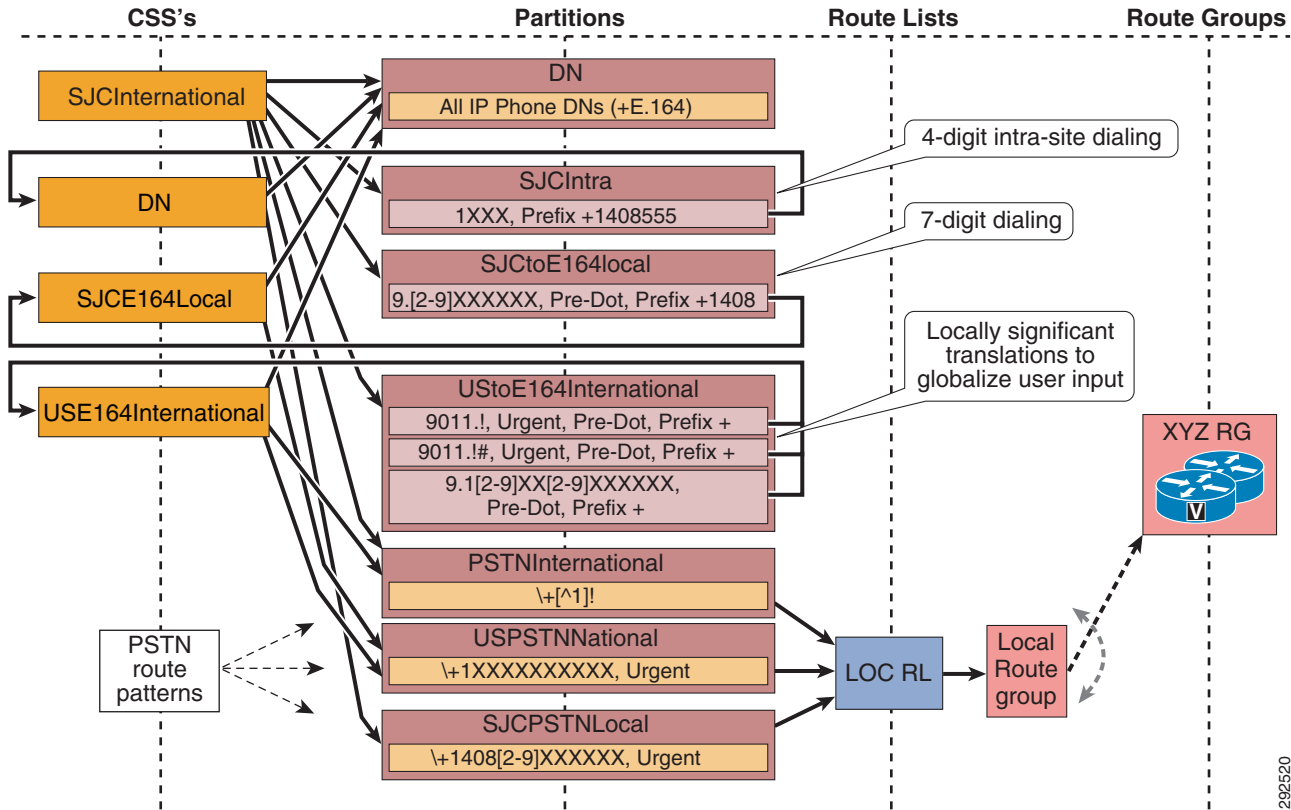


Figure 9-20 shows an example of how to implement class of service "international" for a single site in the US. In this concept, the local habitual dialing is normalized to +E.164 through translation patterns in partitions SJCIntra, SJCE164local, and UStoE164International.

The translation in partition SJCIntra implements 4-digit intra-site dialing, assuming that all local DID's of the site are in the range +1 408 555 1XXX. Local dialing (9+7) for the site in San Jose is implemented by the translation pattern in partition SJCE164local by again transforming the local habitual dialing to +E.164. The same is true for partition UStoE164International, which implements the globalization of US habitual PSTN dialing to international and national destinations.

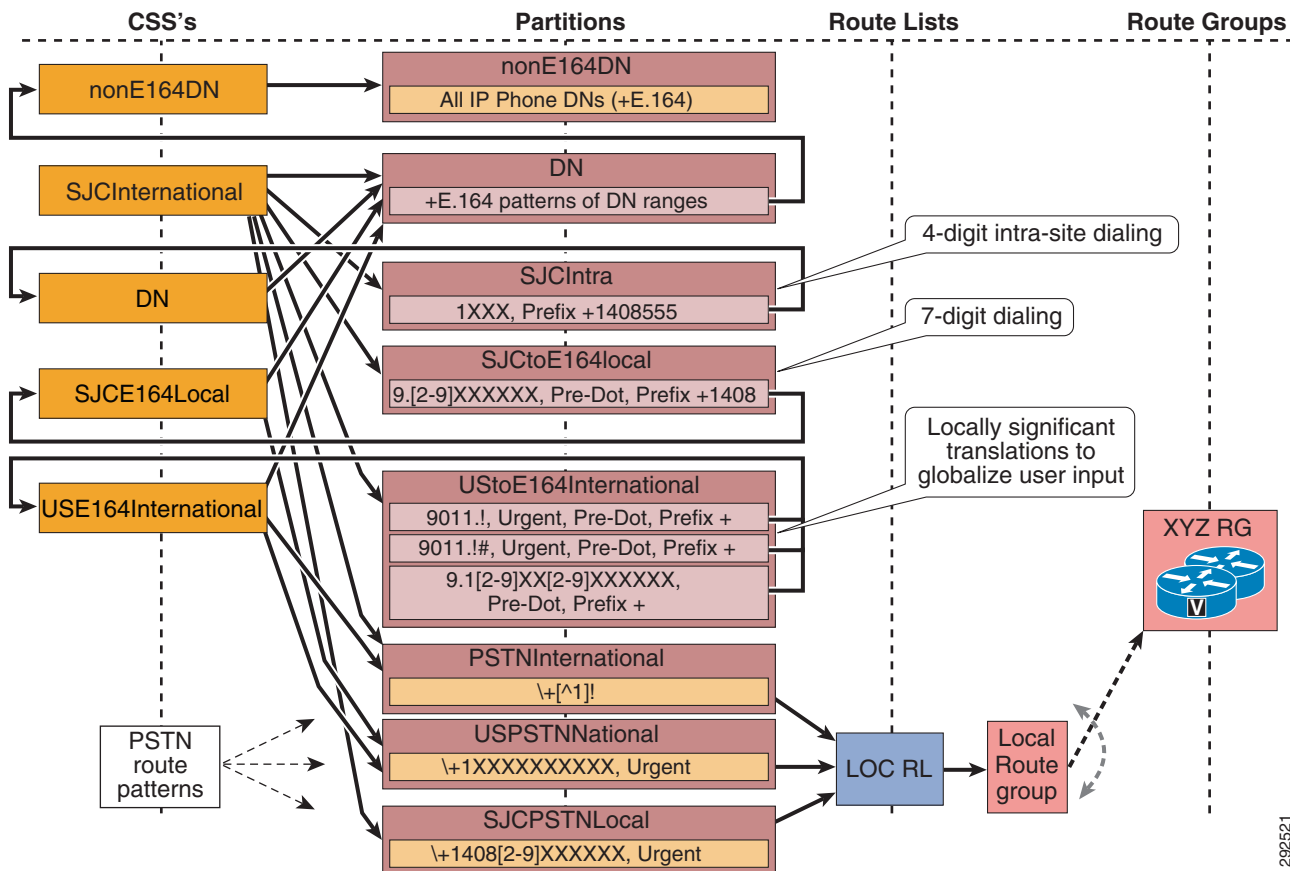
The naming convention used here helps to identify which pieces of the dial plan need to be replicated to support multiple classes of service, sites, and dialing domains. If the name includes the specification of a site (for example, SJC in partition name SJCE164Local), then this element needs to be replicated for every site. If the name includes the specification of a class of service (for example, International in USE164International), then it needs to be replicated for every class of service. If the name does not include the specification of a site (for example, partition USPSTNNational), then it can be reused for all sites.

The single calling search space creating the requested class of service can be used as a line or device calling search space. In deployments that support mobility features such as extension mobility or device mobility, the line calling search space has to be used to enable the user to keep his class of service when roaming.

Using Non +E.164 Directory Numbers

The above example assumes that all directory numbers are configured as +E.164 so that the directory numbers can be matched directly after normalizing the local habitual dialing to +E.164. In cases where directory numbers are not configured as +E.164, an intermediate routing step is required to again map from the internal +E.164 routing to the format of the configured DNs. (See [Figure 9-21](#).)

Figure 9-21 Indirection to Support Non +E.164 Directory Numbers



The additional indirection step shown in [Figure 9-21](#) makes sure that all directory numbers not in +E.164 format can be reached by dialing either the local habitual format or +E.164. Partition DN in this case does not hold the actual directory numbers but a set of urgent translation patterns matching all on-net DID ranges. If, for example, a site uses DID range +1 408 555 1XXX and the directory numbers are configured as E.164 without the leading +, then an urgent translation pattern \+.14085551XXX needs to be created in partition DN with the digit discard instruction set to discard pre-dot. A user with extension +1 408 555 1234 can now be reached from other users using the calling search space in the example by dialing:

- 1234: Translation pattern in partition SJCIntra transforms dialed digits to +14085551234, translation pattern +14085551XXX in partition DN transforms to 14085551234, and then we get a match on the directory number in partition nonE164DN.
- 95551234: Translation pattern in partition SJCE164local globalizes the dialed digits and then the call flow is the same as for 4-digit intra-site dialing.

- 914085551234: Translation pattern in partition UStoE164International globalizes the dialed digits and then the call flow is the same as for 4-digit intra-site dialing.
- +14085551234: Translation pattern +14085551XXX in partition DN transforms to 14085551234 and then we get a match on the directory number in partition nonE164DN.

Keep in mind that, when using non +E.164 directory numbers, you will have to make sure that the calling party number for calls originating from these lines is set to +E.164 to ensure that correct calling party information can be delivered for all call flows. This can be achieved by setting the external phone number mask to +E.164 for all line appearances and configuring the calling party transformations on the translation patterns in partition DN to use the external phone number mask. Another option to globalize non +E.164 directory numbers is to use the incoming call's calling party transformation calling search space on the phone or phone's device pool. This method is supported in Cisco Unified CM 9.0 and later releases, and is the recommended way to globalize directory numbers. Using globalization based on this calling search space has the advantage of also working with URI-dialed call flows for which number transformations configured on translation patterns are not applicable.

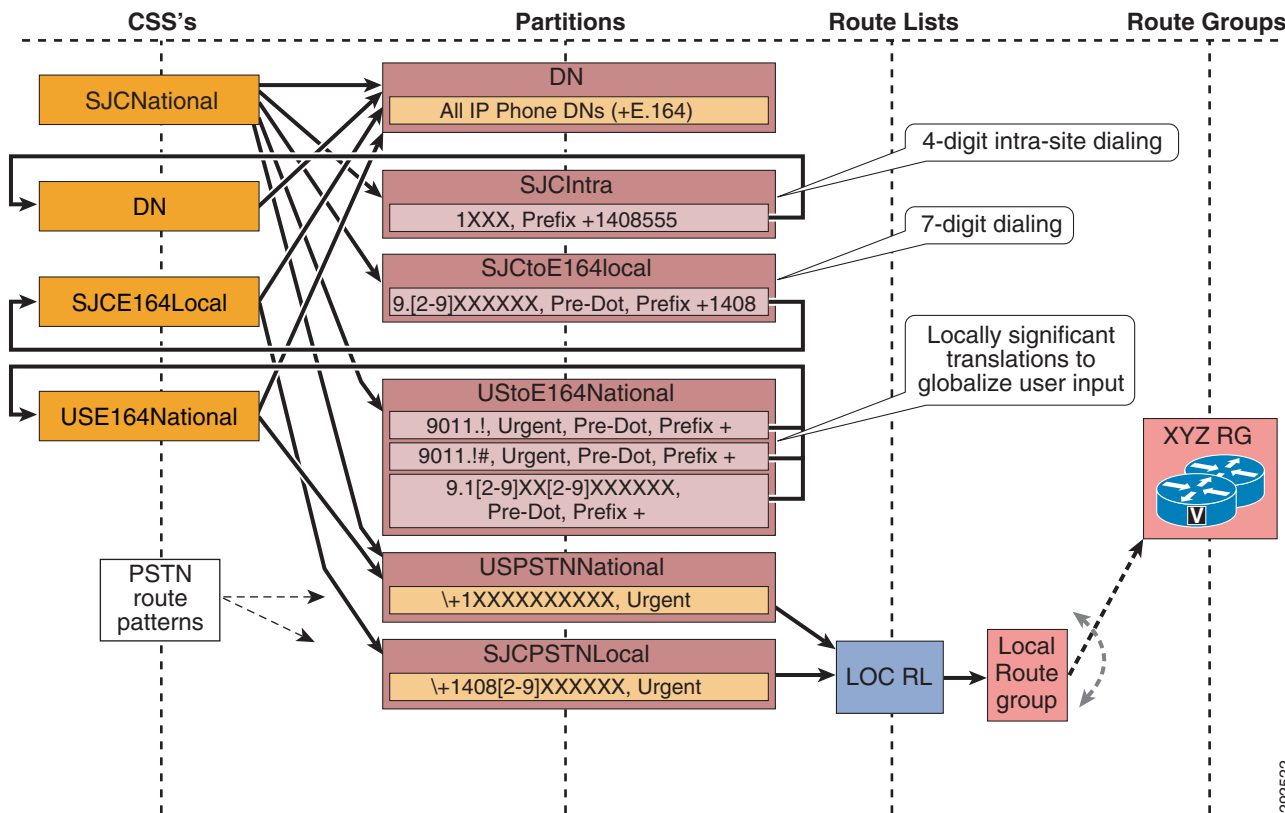
Overlaps Between Directory Numbers and International PSTN Dialing

Directory numbers in Unified CM always are stored in digit analysis as non-urgent patterns. This can lead to the situation that dialing an international on-net destination causes a partial overlap with the international PSTN route pattern `\+[^1]!`. For example, if a user in San Jose dials +496100773 and that happens to be a directory number configured on the system, then the call using the schema without the additional indirection step (Figure 9-20) will hit the interdigit time-out limit because, although we have a match on directory number `\+496100773`, there is another potential match on the variable length pattern `\+[^1]!` in partition PSTNInternational. One way to avoid this is to add specific, urgent fixed-length route patterns to the PSTNInternational partition for all countries where we have on-net directory numbers. The urgent route pattern in the PSTNInternational partition will terminate digit collection, but Unified CM will then still route the call to the best match, which in this case is the directory number in partition DN. This approach works only for countries with a fixed-length national numbering plan. If the national numbering plan is a variable-length numbering plan (such as in Germany), the only way to solve the overlap between directory numbers and the variable-length PSTN route pattern is to implement the intermediate routing step as shown in Figure 9-21. In this case the urgent translation patterns in partition DN serve the purpose of adding urgent patterns to digit analysis that will make sure that digit collection terminates as soon as a known on-net destination is dialed.

Other Classes of Service

Based on the example in [Figure 9-20](#) and [Figure 9-21](#), other classes of service such as "national" and "local" are created by removing the unnecessary PSTN route patterns and recreating the dialing normalization of the local habitual dialing habits. (See [Figure 9-22](#).)

Figure 9-22 Class of Service "National" for +E.164 Dial Plans

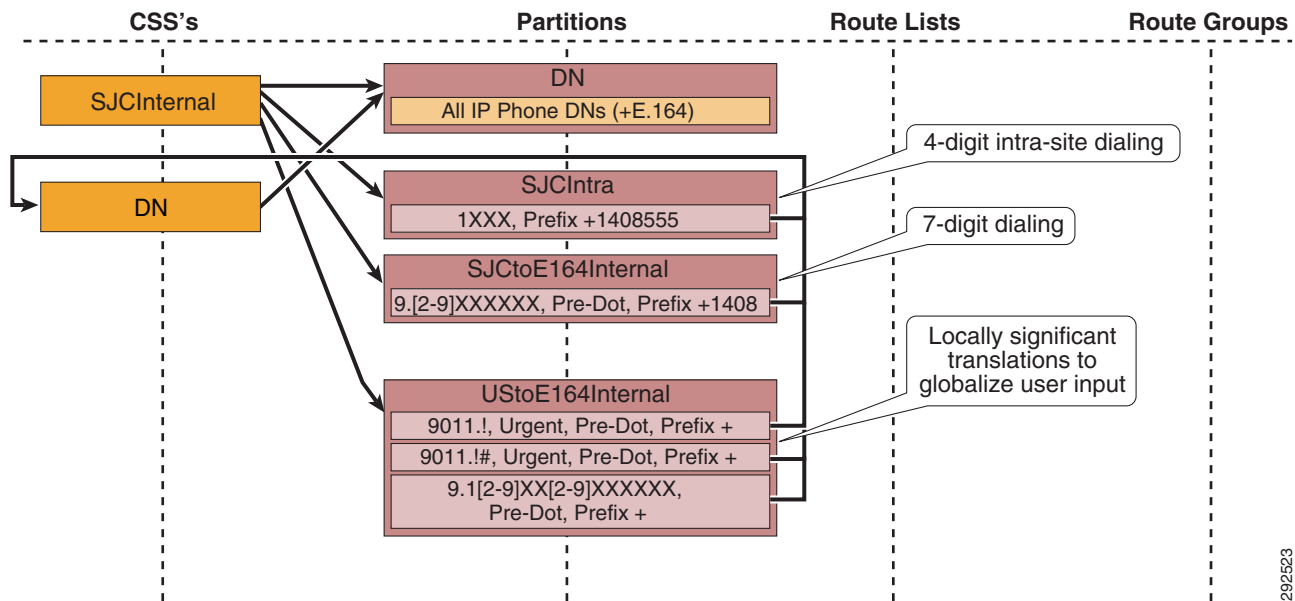


[Figure 9-22](#) shows how to build class of service "national." Comparing this schema to class of service "international" in [Figure 9-20](#), we see that partitions SJCItra, SJCtoE164local, USPSTNNational, and SJCPSTNLocal can be reused and so can calling search spaces DN and SJCE164Local. The dialing normalization in UStoE164National has to be recreated because using the dialing normalization as defined by the patterns in partition UStoE164International in [Figure 9-20](#) would also grant access to the international PSTN route pattern `\+[^1]` in partition PSTNInternational. This is a result of the fact that, in the definition of a translation pattern, we define a single calling search space that has to be used after applying the called and calling party transformations defined in the translation pattern. Because a calling search space is equivalent to a class of service, the translation patterns inherit the class-of-service specificity of the egress calling search space defined in the translation patterns and thus also become class-of-service specific.

Dialing normalization in partition UStoE164National does include dialing normalization patterns for the local habitual international dialing 9011 because we need to support international dialing to international on-net destinations (directory numbers in partition DN outside the US).

Classes of service "local" and "internal" can be created using the same approach. Partition SJCSTNLocal is not really required to build class of service "international", but providing this differentiated PSTN access from the beginning permits reuse of partitions SJCSTNLocal and SJCtoE164Local for class of service "local". Keep in mind that partition SJCSTNLocal cannot be reused for class of service "internal," which should not provide access to the PSTN. For this class of service the dialing normalization of the local dialing has to be replicated as shown in [Figure 9-23](#).

Figure 9-23 Class of Service "internal" for +E.164 Dial Plans



292523

Emergency Calls

Access to emergency services has to be granted to all users. This can be achieved either by adding the partition with the emergency number route patterns to each calling search space or by enabling access to the emergency number route patterns through the device-level calling search space. If access to emergency numbers is granted through the device calling search space, then in roaming scenarios (for example, extension mobility) the user has to dial emergency services using the habitual dialing of the visited site, while access to emergency numbers through the line calling search space would allow the user to dial emergency services using the habitual dialing of the home site. This differentiation obviously is important only if the habitual dialing of emergency services differs between home and visiting site as, for example, in the case of a European user (emergency number 112) logging into an US phone (emergency number 911).

Building Classes of Service in Cisco IOS with H.323

The following scenarios require you to define classes of service within Cisco IOS routers running the H.323 protocol:

- Unified CM multisite deployments with centralized call processing
- Cisco Unified Communications Manager Express (Unified CME) deployments

Under normal conditions in Unified CM multisite deployments with centralized call processing, classes of service are implemented using partitions and calling search spaces within Unified CM. However, when IP WAN connectivity is lost between a branch site and the central site, Cisco SRST takes control of the branch IP phones, and all the configuration related to partitions and calling search spaces is unavailable until IP WAN connectivity is restored. Therefore, it is desirable to implement classes of service within the branch router when running in SRST mode.

Similarly, in Unified CME deployments, the router needs a mechanism to implement classes of service for the IP phones.

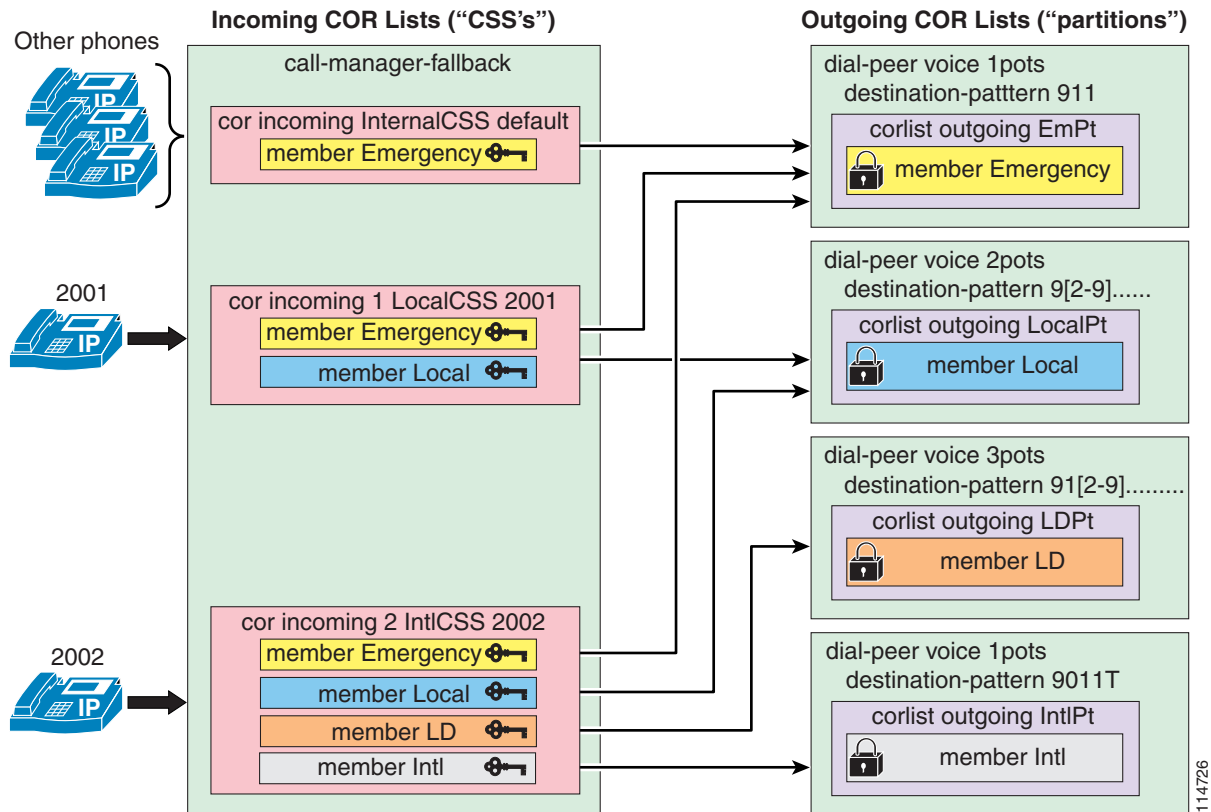
For both of these applications, define classes of service in Cisco IOS routers by using the class of restriction (COR) functionality (refer to [Calling Privileges in Cisco IOS with H.323 Dial Peers](#), page 9-150, for details on COR).

You can adapt the COR functionality to replicate the Unified CM concepts of partitions and calling search spaces by following these main guidelines:

- Define tags for each type of call that you want to distinguish.
- Assign "basic" outgoing corlists (equivalent to partitions), containing a single member tag, to the respective POTS dial peers that route each type of call.
- Assign "complex" incoming corlists (equivalent to calling search spaces), containing subsets of the member tags, to the IP phones that belong to the various classes of service.

[Figure 9-24](#) illustrates an implementation example based on SRST, where the IP phone with DN 2002 is configured to have unrestricted PSTN access, the IP phone with DN 2001 is configured to have only local PSTN access, and all other IP phones are configured to have access only to internal numbers and emergency services.

Figure 9-24 Building Classes of Service for Cisco SRST using COR



The following steps provide examples and guidelines for implementing a Cisco IOS solution like the one shown in Figure 9-24.

- Step 1** Using the **dial-peer cor custom** command, define meaningful tags for the various types of calls (Emergency, VMail, Local, LD, Intl):

```
dial-peer cor custom
  name Emergency
  name VMail
  name Local
  name LD
  name Intl
```

- Step 2** Using the **dial-peer cor list** command, define basic corlists to be used as partitions, each containing a single tag as a member:

```
dial-peer cor list EmPt
  member Emergency

dial-peer cor list VMailPt
  member VMail

dial-peer cor list LocalPt
  member Local

dial-peer cor list LDpt
  member LD
```

```
dial-peer cor list IntlPt
  member Intl
```

- Step 3** Using the **dial-peer cor list** command, define more complex corlists to be used as calling search spaces, each containing a subset of the tags as members according to the classes of service needed:

```
dial-peer cor list InternalCSS
  member Emergency
  member VMail
```

```
dial-peer cor list LocalCSS
  member Emergency
  member VMail
  member Local
```

```
dial-peer cor list LDCSS
  member Emergency
  member VMail
  member Local
  member LD
```

```
dial-peer cor list IntlCSS
  member Emergency
  member VMail
  member Local
  member LD
  member Intl
```

- Step 4** Using the command **corlist outgoing** *corlist-name*, configure the basic “partition” corlists as outgoing corlists assigned to the corresponding POTS dial peers:

```
dial-peer voice 100 pots
  corlist outgoing EmPt
  destination-pattern 911
  no digit-strip
  direct-inward-dial
  port 1/0:23
```

```
dial-peer voice 101 pots
  corlist outgoing VMailPt
  destination-pattern 914085551234
  forward-digits 11
  direct-inward-dial
  port 1/0:23
```

```
dial-peer voice 102 pots
  corlist outgoing LocalPt
  destination-pattern 9[2-9].....
  forward-digits 7
  direct-inward-dial
  port 1/0:23
```

```
dial-peer voice 103 pots
  corlist outgoing LDPT
  destination-pattern 91[2-9]..[2-9].....
  forward-digits 11
  direct-inward-dial
  port 1/0:23
```

```
dial-peer voice 104 pots
  corlist outgoing IntlPt
  destination-pattern 9011T
  prefix-digits 011
```

```
direct-inward-dial
port 1/0:23
```

Step 5 Using the **cor incoming** command within the **call-manager-fallback** configuration mode, configure the complex corlists acting as "calling search spaces" to be incoming corlists assigned to the various phone DNs:

```
call-manager-fallback
cor incoming InternalCSS default
cor incoming LocalCSS 1 3001 - 3003
cor incoming LDCSS 2 3004
cor incoming IntlCSS 3 3010
```

When deploying COR for SRST, keep in mind the following limitations:

- In SRST version 2.0, available on Cisco IOS Release 12.2(8)T or later, the maximum number of **cor incoming** statements allowed under **call-manager-fallback** is 5 (plus the default statement).
- In SRST version 3.0, available on Cisco IOS Release 12.3(4)T or later, the maximum number of **cor incoming** statements allowed under **call-manager-fallback** is 20 (plus the default statement).

Therefore, if the phone DNs of users with non-default privileges are not consecutive and the SRST site is relatively large, you might have to reduce the number of classes of service in SRST mode to accommodate all the DNs without exceeding these limitations.

Although the preceding example is based on Cisco SRST, the same concepts can be applied to a Cisco Unified Communications Manager Express (Unified CME) deployment, except for the following considerations:

- With Unified CME, the corlist expressing the class of service (equivalent to a calling search space) can be assigned directly to the individual IP phones by using the **cor {incoming | outgoing} corlist-name** command under the **ephone-dn dn-tag** configuration mode.
- According to COR general rules, all IP phones for which no corlist is configured have unrestricted access to all dial peers, regardless of their outgoing corlist. Unified CME has no mechanism equivalent to the **cor incoming corlist-name default** command, which applies default restrictions to all phones.

Deploying Call Coverage

Call coverage functionality is a key feature in many IP telephony deployments. Many customer-focused service companies have to route customer calls to the appropriate service representatives expeditiously. This section focuses on design guidelines for using the hunting mechanism based on hunt pilots, hunt lists, and line groups in Cisco Unified CM Release 4.1 to manage call distribution, and it covers the following main topics:

- [Deploying Call Coverage in a Multisite Centralized Call Processing Model, page 9-76](#)
- [Deploying Call Coverage in a Multisite Distributed Call Processing Model, page 9-77](#)



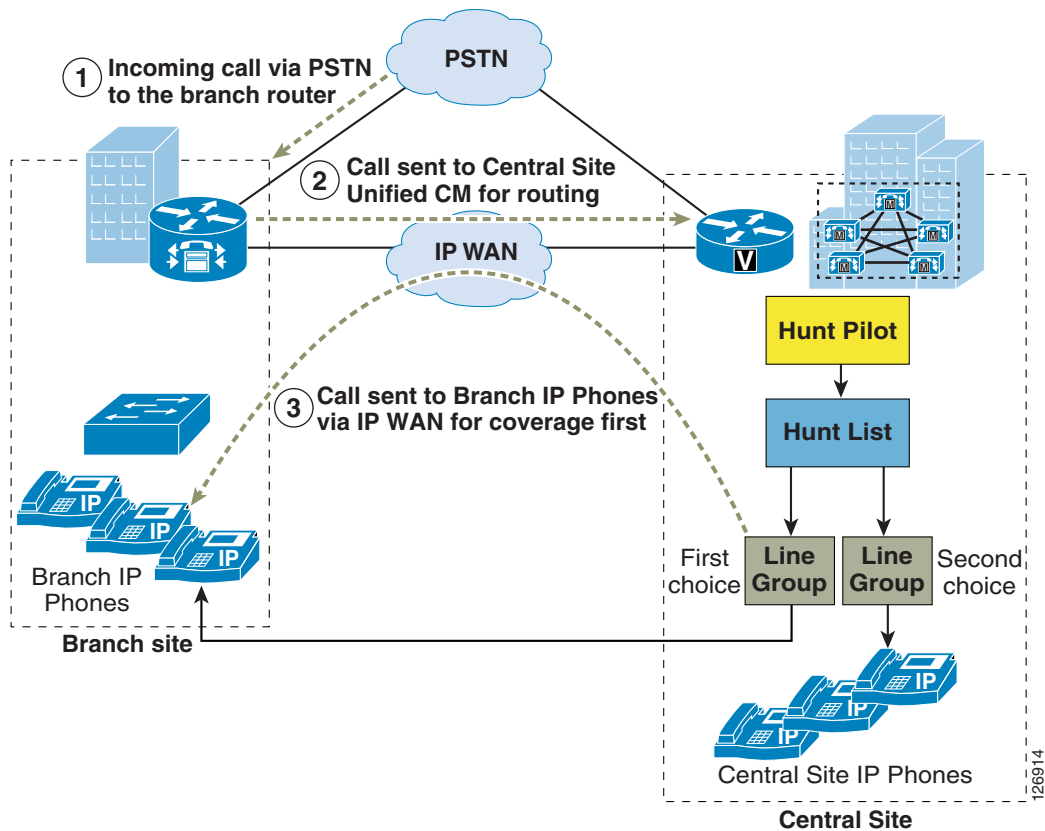
Note

Call coverage functionality does not offer call queues per se, and the caller is presented with ringback tone until a destination is found for the call. To provide prompting, music on hold, and so forth, Cisco offers many contact center technologies such as the Cisco Unified Customer Voice Portal (CVP). For more information on the contact center technologies available from Cisco, refer to the documentation at <http://www.cisco.com/go/ucsrnd>.

Deploying Call Coverage in a Multisite Centralized Call Processing Model

Figure 9-25 shows an example of configuring hunt lists for a multisite centralized call processing deployment. This example assumes that the hunt pilot call will be distributed first through the remote office operators. If the call is not answered or is rejected due to call admission control, the call will then be routed to central-site operators or voicemail.

Figure 9-25 Call Coverage Between Multiple Sites in a Centralized Call Processing Deployment



In centralized IP telephony systems, features such as Automated Alternate Routing (AAR) and Survivable Remote Site Telephony (SRST) may be enabled for high availability. Consider the following guidelines when deploying call coverage functionality with AAR or SRST features enabled:

- Automated Alternate Routing (AAR)

The line group members can be assigned in different locations and regions. Call admission control implemented through locations works as expected. However, a call being distributed from a hunt pilot will not use AAR to reroute a call if Unified CM blocks the call to one of its line group members due to insufficient WAN bandwidth. Instead, Unified CM distributes the call to the next available member or next available line group.



Note Cisco strongly recommends that you use only AAR to voicemail ports within line groups.

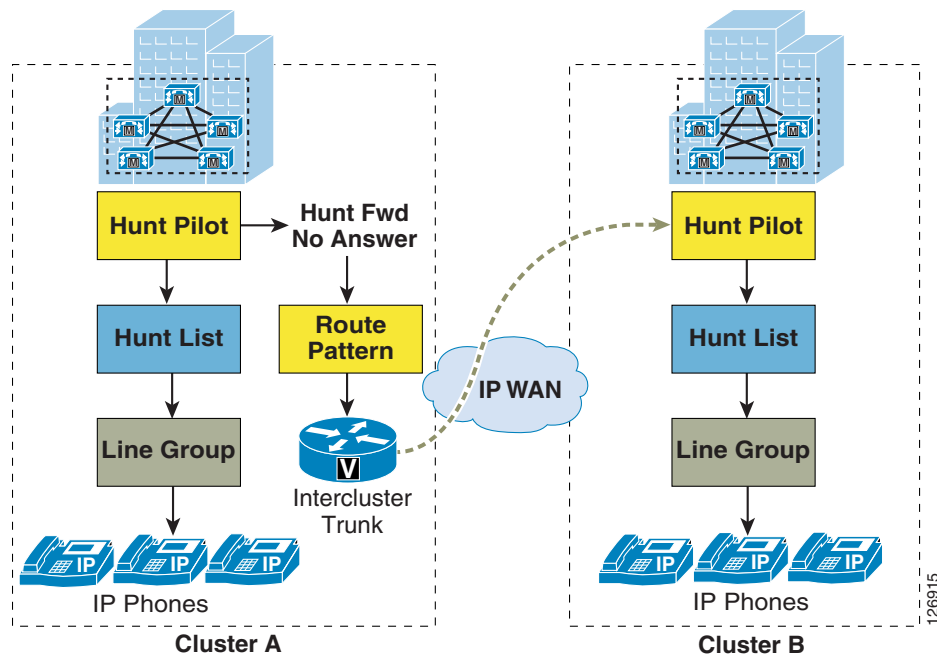
- Survivable Remote Site Telephony (SRST)
 - When Unified CM receives a call for the hunt pilot, and if some of its line group members are at the remote sites operating in SRST mode, then Unified CM skips those members and distributes the call to the next available line group member. From the perspective of Unified CM, the members operating in SRST mode are unregistered, and hunt pilot calls are not forwarded to unregistered members.
 - When a router operating in SRST mode receives a call for the hunt pilot, call coverage functionality is unavailable. The call fails if no configuration is added to reroute the call to a registered and available extension. You can use the **alias** or the **default-destination** command under the **call-manager-fallback** mode in Cisco IOS to reroute the call destined for the hunt pilot to an operator extension or to voicemail.

Deploying Call Coverage in a Multisite Distributed Call Processing Model

Beginning with Cisco Unified CM Release 4.1, route groups can no longer be added to hunt lists. Thus, a hunt list cannot be used to send the calls to other clusters or to a remote gateway. But the hunt option settings in Hunt Pilot, introduced in Cisco Unified CM Release 4.1, can be used to match a route pattern that in turn points to gateways or trunks.

Figure 9-26 shows an example of configuring hunt lists for a distributed call processing deployment with an intercluster trunk. This example assumes that the hunt pilot call is first distributed within Cluster A. If the call is not answered, it is rerouted to Cluster B for call distribution using the Forward Hunt No Answer setting, which matches a route pattern. The route pattern, in turn, points to an intercluster trunk to Cluster B.

Figure 9-26 Call Coverage Between Clusters in a Distributed Call Processing Deployment



**Tip**

In distributed call processing deployments, load sharing of incoming hunt pilot calls can be managed using Cisco VoIP gateways and gatekeepers. In the event that the call is not answered within one cluster, it can overflow to another cluster for service. Calls can also be sent through gateways or trunks to IVR treatment. Tool Command Language (TCL) IVR applications can be implemented on Cisco IOS gateways.

Guidelines

When deploying call coverage functionality in a distributed call processing model, if calls are distributed across multiple clusters, then the route patterns should be properly configured to account for any digit transformations that are done on the outbound or inbound route group devices. If digit transformations are not done, then the configured route patterns and hunt pilot should be the same on all clusters, otherwise the calls will not be distributed appropriately.

Hunt Pilot Scalability

Cisco recommends using the following guidelines when deploying call coverage using top-down, circular, and longest-idle algorithms:

- The Unified CM cluster supports a maximum of 15,000 hunt list devices.
- The hunt list devices may be a combination of 1500 hunt lists with 10 IP phones in each hunt list, or a combination of 750 hunt lists with 20 IP phones in each hunt list.

**Note**

When using the broadcast algorithm for call coverage, the number of hunt list devices is limited by the number of busy hour call attempts (BHCA). Note that a BHCA of 10 on a hunt pilot pointing to a hunt list or hunt group containing 10 phones and using the broadcast algorithm is equivalent to 10 phones with a BHCA of 10.

- Cisco recommends having a maximum of 35 directory numbers in a single line group configured to send the calls simultaneously to all DNs. Additionally, the number of broadcast line groups depends on the BHCC. If there are multiple broadcast line groups in a Unified CM system, the number of maximum directory numbers in a line group must be less than 35. The number of busy hour call attempts (BHCA) for all the broadcast line groups should not exceed 35 calls set up per second.

Deploying Directory URI Dialing

Starting with Cisco Unified CM 9.0, provisioning and dialing of alphanumeric directory uniform resource identifiers (URIs) is supported by Unified CM. When handling SIP URIs, Unified CM call routing differentiates between numeric SIP URIs and alphanumeric SIP URIs (see [Routing of SIP Requests in Unified CM, page 9-107](#)). For endpoints registered to Unified CM, this adds dialing a directory URI as a new dialing habit. Also, caller ID based on directory URIs is a new concept for calls originating from devices registered to Unified CM.

Case Sensitivity

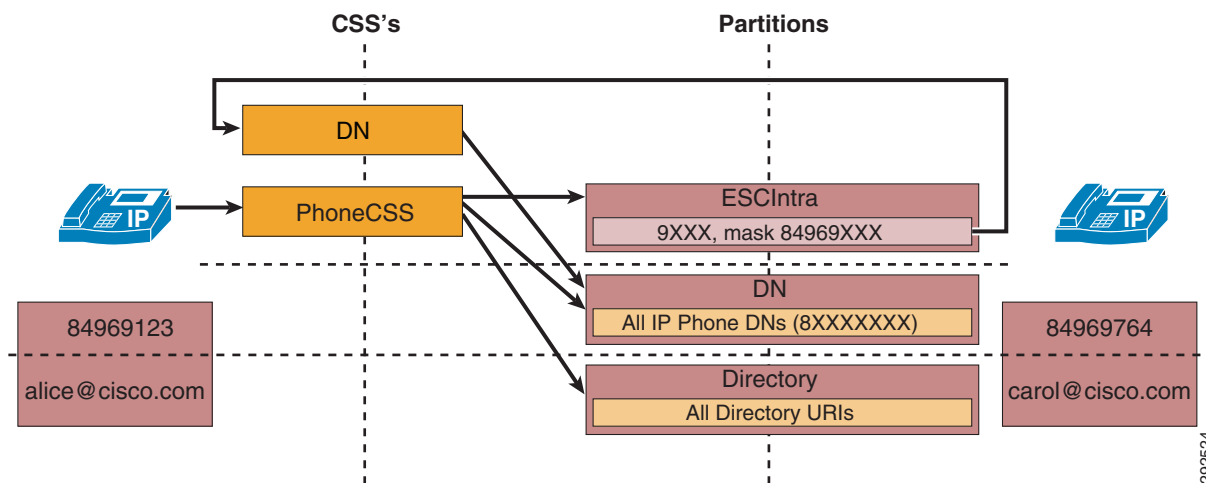
Per RFC 3261 (section 19.1.4, URI Comparison) comparison of the userinfo of SIP URIs has to be case-sensitive. According to this standardized behaviors, Alice@cisco.com and alice@cisco.com are not to be considered equivalent. When routing directory URIs, Unified CM respects this standard and looks for a case-sensitive full match of the user portion and a case-insensitive match of the host portion. To avoid confusion, Cisco highly recommends provisioning only directory URIs with all lowercase userinfo so that all directory URIs can reliably be dialed by entering all lowercase information.

Unified CM 9.1 and later releases can be configured to always use case-insensitive comparison of the user info portion of directory URIs. This can be achieved by configuring the enterprise parameter **URI Lookup Policy** accordingly. This setting applies to matching locally configured directory URIs and also to matching directory URIs for which an ILS lookup is done. The default setting of this enterprise parameter defines standard compliant case-sensitive matching of the user info portion of directory URIs.

Independent Call Routing

When a directory URI is routed by Unified CM, the dialed directory URI is first directly matched against the configured local directory URIs addressed by the calling device's calling search space. If a full case-sensitive match is found, then the call gets extended directly to the dialed destination. (See [Figure 9-27](#).)

Figure 9-27 Independent Routing of Numeric Dialing and Directory URI Dialing



The example in [Figure 9-27](#) assumes that directory numbers are configured using an 8-digit enterprise numbering plan consisting of an access code (8), a 3-digit site code (496), and a 4-digit extension (9123, 9764). To enable 4-digit intra-site dialing, a translation pattern 9XXX exists that will transform the called party number to the required 8-digit sequence by applying the called party transformation mask 84969XXX.

To reach the phone on the right in [Figure 9-27](#), a user using the phone on the left might dial 9764 or carol@cisco.com. If the user dials 9764, the translation pattern will be matched, the called party will be transformed to 84969764 and, using calling search space DN, the call will be extended to directory number 84969764 in partition DN. On the other hand, if the directory URI carol is dialed, the call will be extended directly to directory number 84969764 because the directory URI carol@cisco.com in partition DirectoryURI will be found directly using calling search space PhoneCSS. This difference becomes important when the dialing normalization translation pattern 9XXX is used not only to

transform the called party number but also to apply transformations to the calling party number. On translation pattern 9XXX, in a typical numeric dial plan we might also have a calling party number transformation to make sure that calling party information for this call is delivered in a globalized +E.164 form. To achieve this, typically the external phone number mask on the DNs would have been set and the calling party transformation on the translation pattern would have been configured as **use external phone number mask**. Under this condition the caller ID for a call from the left phone to the phone on the right would depend on the dialing habit used to place the call. If the call is placed by dialing 9764, the caller ID displayed on the right would be based on the correct +E.164 caller ID of the left phone, while a call dialed as carol@cisco.com would have a called ID based on 84969123 because the calling party transformations of the translation pattern would not be applied.

To avoid this, Cisco highly recommends moving the calling party normalization of calls originating from phones from translation patterns to the incoming calls calling party transformation calling search space on the phone or device pool.

The fact that calls dialed numerically or through a directory get routed differently has to be taken into account when enabling directory URI dialing as an additional dialing habit on Unified CM. The problem with inconsistent caller ID delivery described above can easily be addressed by using the incoming calls calling party transformation calling search space on the calling phone or calling phone's device pool (introduced in Unified CM 9.0). Translation patterns in an existing enterprise dial plan might exist for various other purposes that cannot be addressed as easily (for example, call blocking or destination-dependant caller ID masking). Cisco highly recommends checking an existing dial plan for the existence of intermediate routing steps such as translation patterns and understanding what is achieved by these intermediate routing steps, because for directory URI dialing it might not be possible to replicate this existing behavior created by these intermediate routing steps.

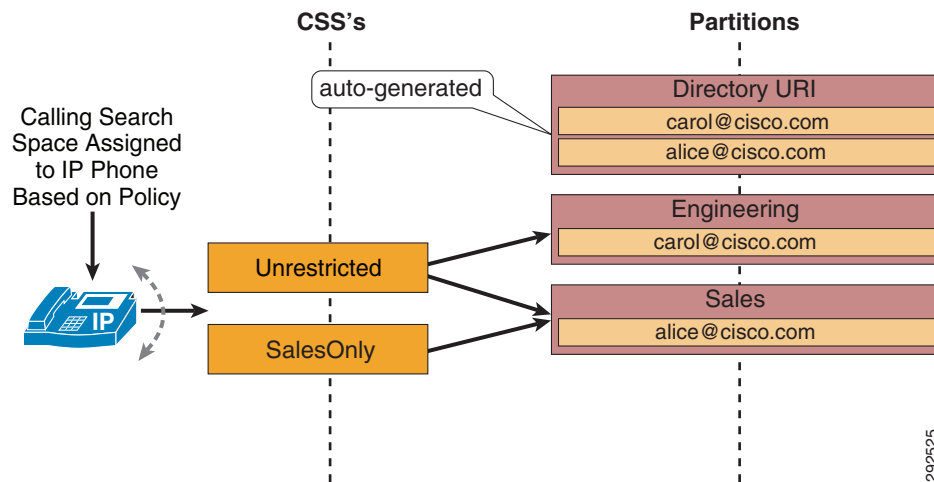
Building Class of Service for Directory URIs

A partition in Unified CM is used to group destinations belonging to the same class of reachability. For example, all directory numbers of the sales department might reside in one partition and all directory numbers of the engineering department might reside in a different partition if classes of service need to be implemented that differentiate between the ability to reach users of certain departments.

Manually configured directory URIs associated with directory numbers can be put in any partition; they do not have to reside in the same partition as the directory number they are associated with (although that definitely is an option).

All directory URIs that get associated to directory numbers automatically based on a directory URI and a primary extension configured for an end user are always created in a single partition **Directory URI**. If differentiated reachability is required, this Directory URI partition cannot be used. Instead the directory URIs of all users need to be provisioned in the correct partitions, which then can be used to create the required restricted classes of service. [Figure 9-28](#) shows an example with two user groups, Engineering and Sales. Duplicate Directory URIs can exist in Unified CM as long as they do not reside in the same partition.

Figure 9-28 Building Class of Service for Directory URIs



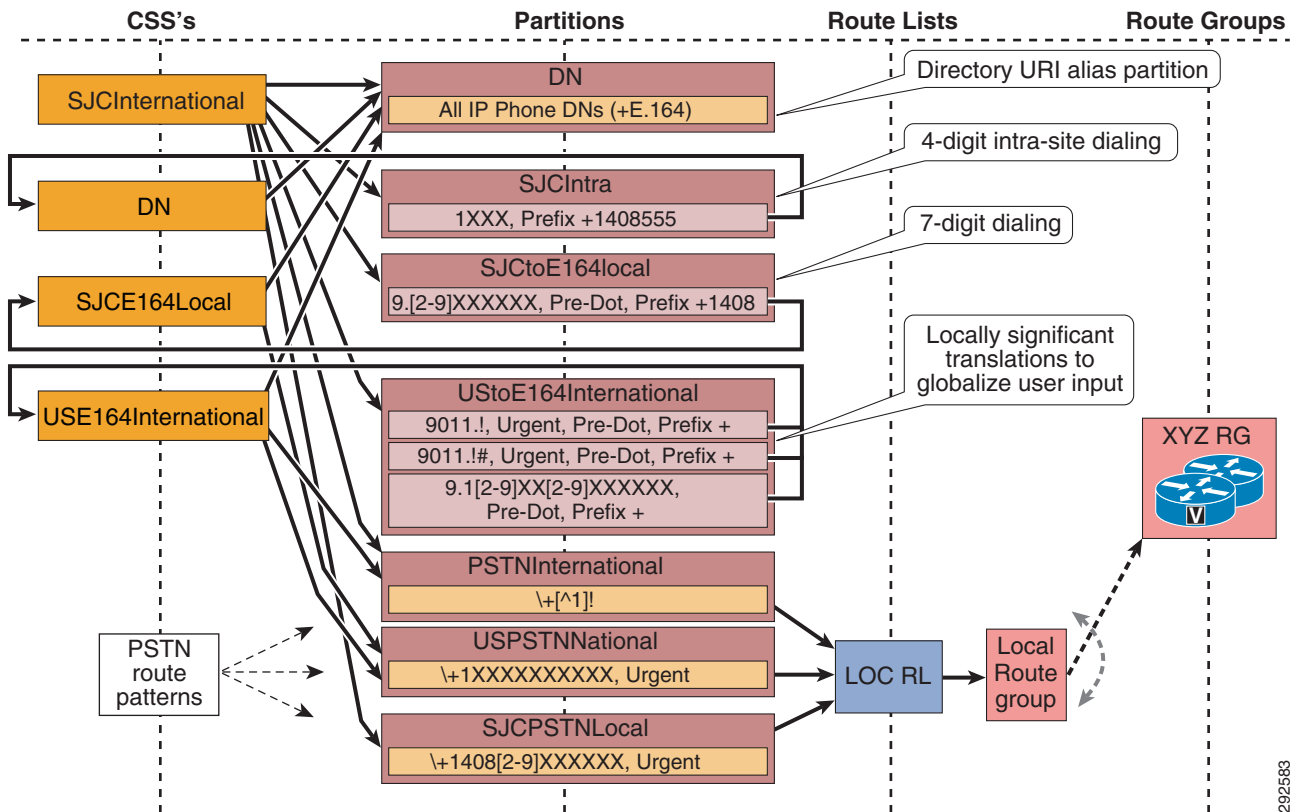
Aliasing the Directory URI Partition

In simple deployments where no differentiation between groups of users (as described in the section on [Building Class of Service for Directory URIs, page 9-80](#)) is required, the reachability of all automatically created directory URIs usually is equivalent to the reachability of end-user directory numbers. In a design based on Variable Length On-net Dialing (VLOD) with flat addressing, all end-user directory numbers reside in a single partition. In order to make all automatically created directory URIs reachable in an existing dial plan, the Directory URI partition must be added to the appropriate calling search spaces. Make sure to identify the correct places where to add the Directory URI partition. The calling search spaces that address the Directory URI partition need to be calling search spaces directly assigned to the calling line and/or device. Calling search spaces that are not directly assigned but get used only after hitting translation patterns are not a valid option because directory URI dialing will never match on translation patterns (see the section on [Independent Call Routing, page 9-79](#)).

Instead of changing a number of calling search spaces, Unified CM allows you to define an alias partition for the Directory URI partition. This is achieved by setting the enterprise parameter **Directory URI Alias Partition** to an existing partition that should be used as an alias. By selecting an existing partition as a directory URI alias partition, all calling search spaces that have access to the selected alias partition will automatically also have access to the Directory URI partition.

In Figure 9-29, partition DN would be a good choice for the directory URI alias partition because all devices having access to the DN partition that holds all directory numbers should also have access to the directory URIs associated with these directory numbers.

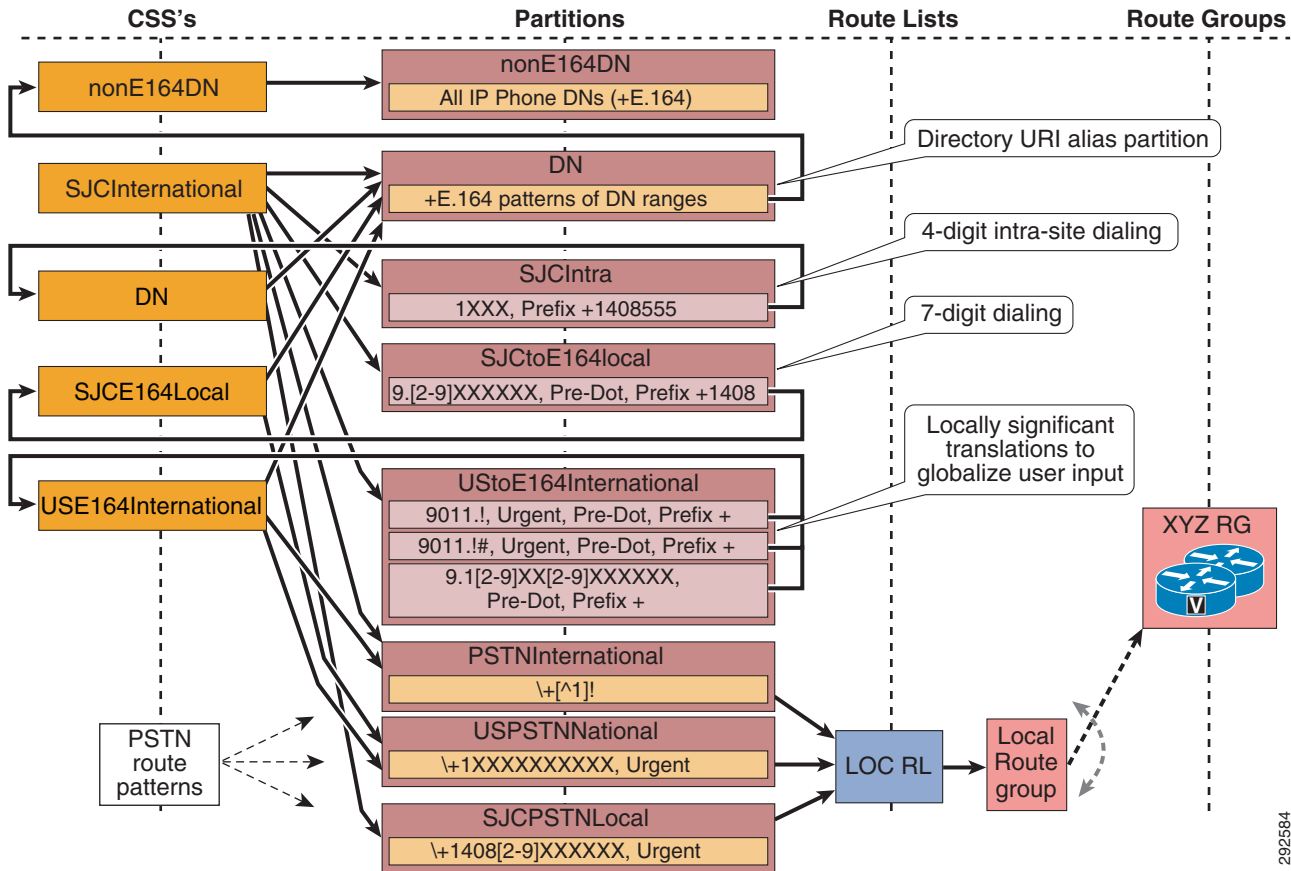
Figure 9-29 Class of Service "International" for +E.164 Dial Plans



292583

Keep in mind that in Figure 9-30, partition nonE164DN is not a valid directory URI alias partition. Although partition nonE164DN holds all directory numbers, this partition is not accessible by any device directly, so dialing a directory URI would not work. In Figure 9-30, partition DN would be the better choice, although this partition in that example does not contain the actual directory numbers.

Figure 9-30 Indirection to Support Non +E.164 Directory Numbers



292584

Blended Identity

In Unified CM the primary identity of any line appearance always is the numeric (possibly with a leading +) directory number. Directory URIs are always configured as aliases of these numeric directory numbers. As soon as a directory URI is associated with a directory number, two different identities exist: the numeric directory number and the primary associated directory URI. The combination of these two pieces is called *blended identity*.

For every call involving a directory number with an associated directory URI, Unified CM has to decide which piece of the blended identity to use and to present to the endpoints or trunks involved in the call. This decision depends on the capabilities of the endpoints or trunks involved. Endpoints registering with Unified CM indicate during registration whether they are capable of handling directory URI-based caller IDs.

For endpoints indicating support of directory URIs during registration, Unified CM will always try to send directory URI-based caller IDs. Even if the call originated from a device not supporting directory URI dialing and caller ID, Unified CM can still use the primary directory URI of the calling directory number as a directory URI-based caller ID.

For SIP trunks, the format of calling and connected party information sent to that trunk is defined by the new **Calling and Connected Party Info Format** setting on the trunk. The default of this setting is to always send only numeric identification. This is to ensure backward compatibility with the behavior of Unified CM prior to release 9.0. Alternatively, the trunk can be configured so that identification is always sent only as a directory URI (if available), and the third option is to always send both pieces of the blended identity (directory URI and numeric identity). Cisco recommends using this third option (directory URI and numeric identity) when interconnecting multiple Unified CM clusters. This setting makes sure that the remote cluster always gets the full blended identity and can then decide which piece to present to the remote endpoint based on the capabilities of that endpoint.

Dial Plan Elements

This section provides design and configuration guidelines for the following dial plan elements within a Cisco Unified Communications system:

- [User Input on SCCP Phones, page 9-86](#)
- [User Input on Type-A SIP Phones, page 9-87](#)
- [User Input on Type-B SIP Phones, page 9-89](#)
- [SIP Dial Rules, page 9-90](#)
- [Call Routing in Unified CM, page 9-93](#)
- [Calling Privileges in Unified CM, page 9-110](#)
- [Translation Patterns, page 9-116](#)
- [Automated Alternate Routing, page 9-117](#)
- [Device Mobility, page 9-122](#)
- [Extension Mobility, page 9-124](#)
- [Immediate Divert \(iDivert\), page 9-130](#)
- [Hunt Lists and Line Groups, page 9-131](#)
- [Time-of-Day Routing, page 9-134](#)
- [Call Routing in Cisco IOS with H.323 Dial Peers, page 9-138](#)
- [Call Routing in Cisco IOS with a Gatekeeper, page 9-141](#)
- [Calling Privileges in Cisco IOS with H.323 Dial Peers, page 9-150](#)
- [Digit Manipulation in Cisco IOS with H.323 Dial Peers, page 9-152](#)

User Interface on IP Phones

Different types of IP telephones accept keypad input and present visual information in different ways. For purposes of this chapter only, we define the following phone types:

- Type-A phones — Include the Cisco Unified IP Phone 7905, 7912, 7940, and 7960.
- Type-B phones — Include the Cisco Unified IP Phone 6901, 6911, 6921, 6941, 6945, 6961, 7906, 7911, 7921, 7925, 7931, 7941, 7942, 7945, 7961, 7962, 7965, 7970, 7971, 7975, 8961, 9951, and 9971.

Calling Party Transformations on IP Phones

Calling Party Transformation Patterns allow the system to adapt the calling party numbers to different formats. The most typical use is to adapt from globalized to localized calling party numbers and vice versa.

The transformation pattern consists of a numerical representation of the calling party number to be matched. The syntax used is the same as that of other patterns such as route patterns, transformation patterns, directory numbers, and so forth.

The transformation operators include discard digit instructions (for example, pre-dot), a calling party transformation mask, prefix digits, and control over the calling party presentation (either Default, Allowed, or Restricted). Calling party transformation patterns can be configured to use the calling party's external phone number mask as the calling party number.

Partitions and calling search spaces control which calling party transformation patterns are applied to which phones. Phones can use either the device pool's calling party transformation calling search space (CSS) or the device's own calling party transformation CSS, in reverse order of precedence. Calls sent to phones are not processed through called party transformation patterns.

On IP phones, calling party transformations can be configured for calls originating from the phone and for calls terminated on the phone:

- For calls originating from phones where the configured directory numbers are not in a globalized (+E.164) form, the inbound call's calling party transformation CSS can be used to define the appropriate globalization. Beginning with Unified CM 9.1, this CSS can be found on the phone configuration page in the Number Presentation Transformation section or in the Phone Settings section on the device pool configuration page under **Caller ID For Calls From This Phone**.
- For calls terminated on the phones, the outbound call's calling party transformation CSS can be used to define the localization scheme to be applied to calling party numbers. Beginning with Unified CM 9.1, this CSS can be found on the phone configuration page in the Number Presentation Transformation section under **Remote Number**.

For phones, outbound or remote number calling party transformations affect the number displayed while the phone is ringing.

For Type-B phones, the corresponding entry in the missed and received calls directories holds both the transformed number and also the original pre-transformation number. The transformed number is displayed in the directories' list, but the number used for callback is the pre-transformation number.

Starting with Unified CM release 9.1, the outbound call's calling party transformation CSS (also referred to as localization or remote number calling party transformation CSS) can also be used to localize remote connected party information. To enable this, the advanced service parameter **Apply Transformations On Remote Number** must be enabled.

Being able to provide localized connected party information to phones enables consistent remote party information display on IP phones even if mid-call features are invoked.

Support for + Dialing on the Phones

On Type-A phones, it is not possible to dial a + sign using the keypad. On Type-B phones it is possible to dial a + sign by pressing and holding either the 0 key (Cisco Unified IP Phones 7921 and 7925) or the * key (all other phone models). On Cisco Unified Personal Communicator endpoints, the + sign may be typed in by the user using the computer's keyboard or entered as part of the input string when using a click-to-dial function of the endpoint.

On Type-A phones, there is no support to display the + sign.

On Type-B phones and on Cisco Unified Personal Communicator, incoming calls can present a calling party number including + as part of the number. When a call is offered to a phone, the number shown on the ringing phone is processed by any configured calling party number transformation patterns. The missed and received calls directories hold both the original pre-transformation number and the transformed number. The number displayed in the list will be the transformed number, and the pre-transformation number will be visible only when looking at the details of an entry. The number dialed from the directory is the original pre-transformation number, allowing the one-touch dialing of previously received calls featuring the + sign as part of the calling number.

Example 9-1 Calling Party Number with + Dialing

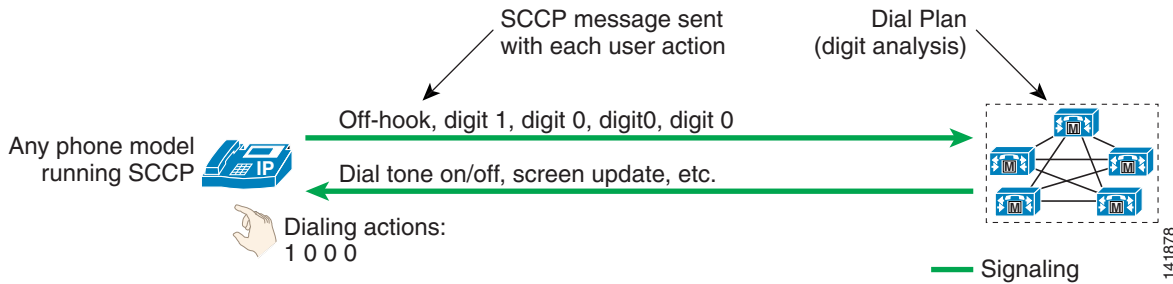
A Type-B phone in New York receives a call from +1 408 526 4000. Calling party transformation patterns are placed in the calling party transformation CSS in the phone's device pool. One of the patterns is configured as: \+1.!, strip pre-dot.

As the call rings in, the called phone displays an incoming calling party number of 4085264000. After the call is answered and released, the received-calls directory displays the last call as 408 526 4000, but the number called when the user initiated the callback from the directory entry is +1 408 526 4000.

User Input on SCCP Phones

IP phones using SCCP report every single user input event to Unified CM immediately. For instance, as soon as the user goes off-hook, a signaling message is sent from the phone to the Unified CM server with which it is registered. The phone can be considered to be a terminal, where all decisions resulting from the user input are made by the Unified CM server's configured dial plan.

As other user events are detected by the phone, they are relayed to Unified CM individually. A user who goes off-hook and then dials 1000 would trigger five individual signaling events from the phone to Unified CM. All the resulting feedback provided to the user, such as screen messages, playing dial tone, secondary dial tone, ring back, reorder, and so forth, are commands issued by Unified CM to the phone in response to the dial plan configuration. (See [Figure 9-31](#).)

Figure 9-31 User Input and Feedback for SCCP Phones

It is neither required nor possible to configure dial plan information on IP phones running SCCP. All dial plan functionality is contained in the Unified CM cluster, including the recognition of dialing patterns as user input is collected.

If the user dials a pattern that is denied by Unified CM, reorder tone is played to the user as soon as that pattern becomes the best match in Unified CM's digit analysis. For instance, if all calls to the pay-per-minute Numbering Plan Area (or area code) 976 are denied, reorder tone would be sent to the user's phone as soon as the user dials 91976.

User Input on Type-A SIP Phones

Type-A phones differ somewhat from Type-B phones in their behavior, and Type-A phones do not offer support for Key Press Markup Language (KPML) as do Type-B phones. (See [User Input on Type-B SIP Phones](#), page 9-89.)

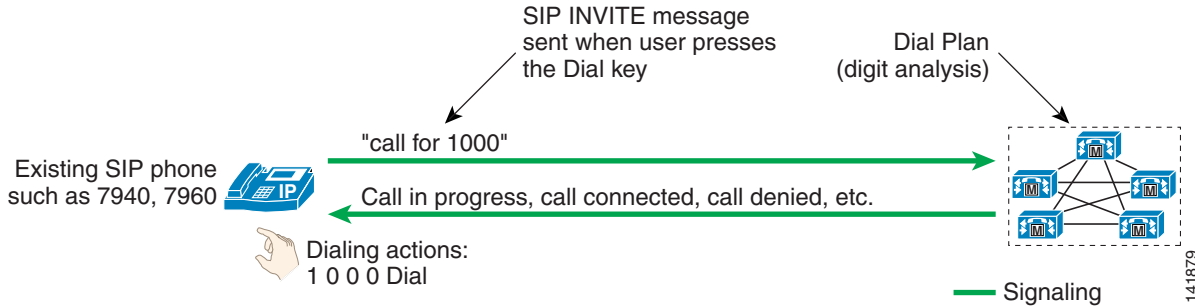
Type-A IP phones using SIP offer two distinct modes of operation:

- [No SIP Dial Rules Configured on the Phone](#), page 9-87
- [SIP Dial Rules Configured on the Phone](#), page 9-88

No SIP Dial Rules Configured on the Phone

[Figure 9-32](#) illustrates the behavior of a SIP Type-A phone with no dial plan rules configured on the phone. In this mode of operation, the phone accumulates all user input events until the user presses either the # key or the Dial softkey. This function is similar to the "send" button used on many mobile phones. For example, a user making a call to extension 1000 would have to press 1, 0, 0, and 0 followed by the Dial softkey or the # key. The phone would then send a SIP INVITE message to Unified CM to indicate that a call to extension 1000 is requested. As the call reaches Unified CM, it is subjected to the dial plan configuration for this phone, including all the class-of-service and call-routing logic implemented in Unified CM's dial plan.

Figure 9-32 User Input and Feedback for Type-A SIP Phones with No Dial Rules Configured



If the user dials digits but then does not press the Dial softkey or the # key, the phone will wait for inter-digit timeout (15 seconds by default) before sending a SIP INVITE message to Unified CM. For the example in Figure 9-32, dialing 1, 0, 0, 0 and waiting for inter-digit timeout would result in the phone placing a call to extension 1000 after ten seconds.



Note

If the user presses the Redial softkey, the action is immediate; the user does not have to press the Dial key or wait for inter-digit timeout.

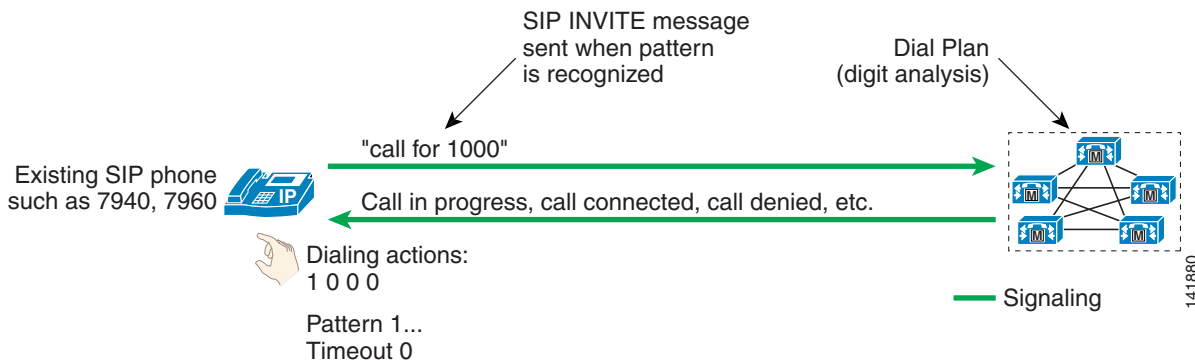
If the user dials a pattern that is denied by Unified CM, the user must enter the entire pattern and press the Dial key, and the INVITE message must be sent to Unified CM, before any indication that the call is rejected (reorder tone) is sent to the caller. For instance, if all calls to NPA 976 are denied, the user would have to dial 919765551234 and press Dial before the reorder tone would be played.

SIP Dial Rules Configured on the Phone

SIP dial rules enable the phone to recognize patterns dialed by users. Once the recognition has occurred, the sending of the SIP INVITE message to Unified CM is automated and does not require the user to press the Dial key or wait for the inter-digit timeout. (For more details, see [SIP Dial Rules, page 9-90](#).)

For example, if a branch location of the enterprise requires that calls between phones within the same branch be dialed as four-digit extensions, the phone could be configured to recognize the four-digit patterns so that the user is not required to press the Dial key or wait for the inter-digit timeout. (See [Figure 9-33](#).)

Figure 9-33 User Input and Feedback for Type-A SIP Phones with Dial Rules Configured



In [Figure 9-33](#), the phone is configured to recognize all four-digit patterns beginning with 1 and has an associated timeout value of 0. All user input actions matching the pattern will trigger the sending of the SIP INVITE message to Unified CM immediately, without requiring the user to press the Dial key.

Type-A phones using SIP dial rules offer a way to dial patterns not explicitly configured on the phone. If a dialed pattern does not match a SIP dial rule, the user can press the Dial key or wait for inter-digit timeout.

If a particular pattern is recognized by the phone but blocked by Unified CM, the user must dial the entire dial string before receiving an indication that the call is rejected by the system. For instance, if a SIP dial rule is configured on the phone to recognize calls dialed in the form 919765551234 but such calls are blocked by the Unified CM dial plan, the user will receive reorder tone at the end of dialing (after pressing the final 4 key).

User Input on Type-B SIP Phones

Type-B phones differ somewhat from Type-A phones in their behavior, and Type-B phones offer support for Key Press Markup Language (KPML) but Type-A phones do not. (See [User Input on Type-A SIP Phones, page 9-87](#).)

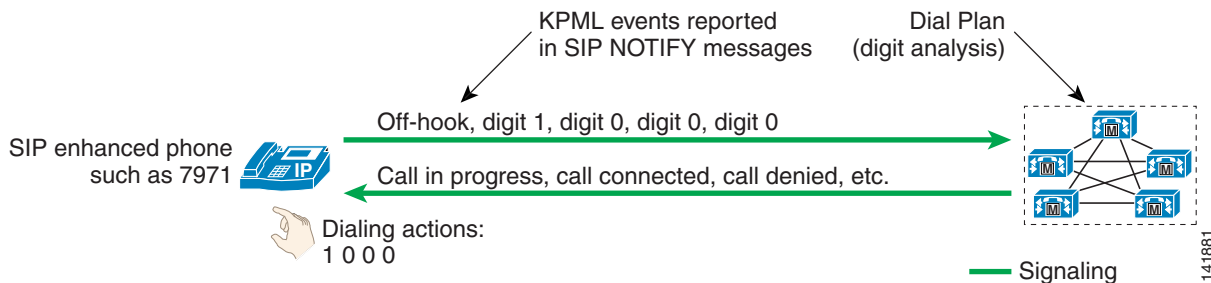
Type-B IP phones running SIP offer two distinct modes of operation:

- [No SIP Dial Rules Configured on the Phone, page 9-89](#)
- [SIP Dial Rules Configured on the Phone, page 9-90](#)

No SIP Dial Rules Configured on the Phone

Type-B IP telephones offer functionality based on the Key Press Markup Language (KPML) to report user key presses. Each one of the user input events will generate its own KPML-based message to Unified CM. From the standpoint of relaying each user action immediately to Unified CM, this mode of operation is very similar to that of phones running SCCP. (See [Figure 9-34](#).)

Figure 9-34 User Input and Feedback for Type-B SIP Phones with No Dial Rules Configured



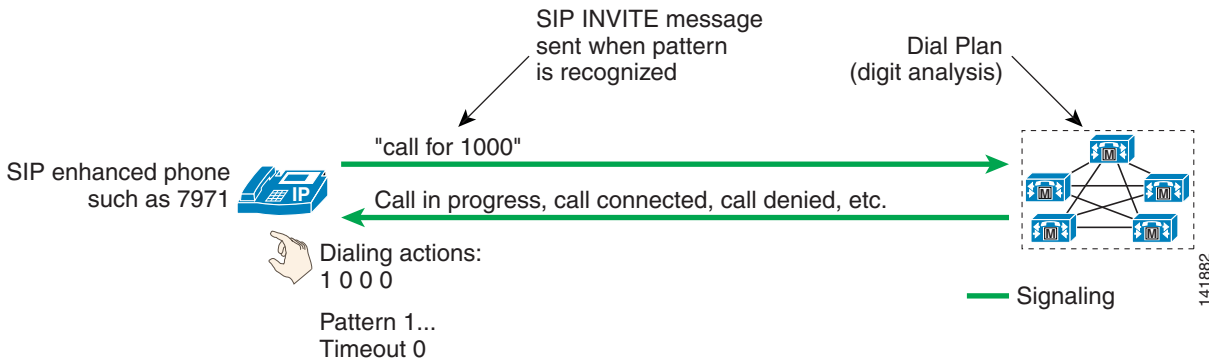
Every user key press triggers a SIP NOTIFY message to Unified CM to report a KPML event corresponding to the key pressed by the user. This messaging enables Unified CM's digit analysis to recognize partial patterns as they are composed by the user and to provide the appropriate feedback, such as immediate reorder tone if an invalid number is being dialed.

In contrast to Type-A IP phones running SIP without dial rules, Type-B SIP phones have no Dial key to indicate the end of user input. In [Figure 9-34](#), a user dialing 1000 would be provided call progress indication (either ringback tone or reorder tone) after dialing the last 0 and without having to press the Dial key. This behavior is consistent with the user interface on phones running the SCCP protocol.

SIP Dial Rules Configured on the Phone

Type-B IP phones can be configured with SIP dial rules so that dialed pattern recognition is accomplished by the phone. (See [Figure 9-35](#).)

Figure 9-35 User Input and Feedback for Type-B SIP Phones with Dial Rules Configured



In [Figure 9-35](#), the phone is configured to recognize all four-digit patterns beginning with 1, and it has an associated timeout value of 0. All user input actions matching these criteria will trigger the sending of a SIP INVITE message to Unified CM.



Note

As soon as SIP dial rules are implemented on Type-B IP phones, KPML-based dialing is disabled. If a user dials a string of digits that do not match a SIP dial rule, none of the individual digit events will be relayed to Unified CM. Instead, the entire dialed string will be sent en-bloc to Unified CM once the dialing is complete (that is, once inter-digit timeout has occurred).

Type-B phones using SIP dial rules offer only one way to dial patterns not explicitly configured on the phone. If a dialed pattern does not match a SIP dial rule, the user has to wait for inter-digit timeout before the SIP NOTIFY message is sent to Unified CM. Unlike Type-A IP phones, Type-B IP phones do not have a Dial key to indicate the end of dialing, except when on-hook dialing is used. In the latter case, the user can press the “dial” key at any time to trigger the sending of all dialed digits to Unified CM.



Note

When a Type-B phone registers with the SRST router, the configured SIP dial rules are disabled.

If a particular pattern is recognized by the phone but blocked by Unified CM, the user must dial the entire dial string before receiving an indication that the call is rejected by the system. For instance, if a SIP dial rule is configured on the phone to recognize calls dialed in the form 919765551234 but such calls are blocked by the Unified CM dial plan, the user will receive reorder tone at the end of dialing (after pressing the 4 key).

SIP Dial Rules

Cisco Unified CM offers SIP dial rule functionality to allow phones to perform pattern recognition as user input is collected. For example, a phone can be configured to recognize the well established pattern 911 and to send a message to Unified CM to initiate an emergency call immediately, while at the same time allowing the user to enter patterns of variable length for international numbers.

It is important to note that pattern recognition configuration on the phone through the use of SIP dial rules does not supersede the Class of Service and Route Plan configurations of Unified CM. A phone might very well be configured to recognize long-distance patterns while Unified CM is configured to block such calls because the phone is assigned a class of service allowing only local calls.

There are two types of SIP dial rules, based on the phone model on which they will be deployed:

- 7905_7912 (Used for Cisco Unified IP Phones 7905 and 7912)
- 7940_7960_OTHER (Used for all other IP phone models)

There are four basic Dial Parameters that can be used as part of a dial rule:

- Pattern

This parameter is the actual numerical representation of the pattern. It can contain digits, wildcards, or instructions to play secondary dial tone. The following table provides a list of values and their effect for the two types of dial rules.

Pattern	Dial Rule Type	
	7905_7912	7940_7960_OTHER
Digits 0 through 9	Corresponding digit	Corresponding digit
.	Matches any digit (0 through 9)	Matches any character (0 though 9, *, #)
-	Indication that more digits can be entered. Must be at the end of an individual rule.	n/a
#	Input termination key. Place the > character in the dial rule to indicate the character position after which the # key will be recognized as input termination. For instance, in 9>#..., the # character would be recognized any time after 9 has been pressed.	n/a
<i>tn</i>	Indicates a timeout value of <i>n</i> seconds. For example, 1...t3 would match 1000 and trigger the sending of an invite to Unified CM after 3 seconds.	n/a
<i>rn</i>	Repeats the last character <i>n</i> times. For example, 1.r3 is equivalent to 1....	n/a
S	When a pattern contains the modifier S, all other dial rules after this pattern are ignored. S effectively causes rule matching to cease.	n/a

Pattern	Dial Rule Type	
	7905_7912	7940_7960_OTHER
*	Input termination key. Place the > character in the dial rule to indicate the character position after which the * key will be recognized as input termination.	Matches one or more characters. For instance, pattern 1* would match 10, 112, 123456, and so forth.
,	n/a	Cause the phone to play secondary dial tone. For instance, 8,... would cause the user to hear secondary dial tone after 8 is pressed.

- IButton

This parameter specifies the button to which the dial pattern applies. If the user is initiating a call on line button 1, only the dial patterns specified for Button 1 apply. If this optional parameter is not configured, the dial pattern applies to all lines on the phone. This parameter applies only to the Cisco SIP IP Phones 7940, 7941, 7942, 7945, 7960, 7961, 7962, 7965, 7970, 7971, and 7975. The button number corresponds to the order of the buttons on the side of the screen, from top to bottom, with 1 being on top button.

- Timeout

This parameter specifies the time, in seconds, before the system times out and dials the number as entered by the user. To have the number dialed immediately, specify 0. This parameter is available only for 7940_7960_OTHER dial rules. If this parameter is omitted, the phone's default inter-digit timeout value is used (default of 10 seconds).

- User

This parameter represents the tag that automatically gets added to the dialed number. Valid values include **IP** (when SIP Call Agents other than Unified CM are deployed) and **Phone**. This parameter is available only for 7940_7960_OTHER dial rules. This parameter is optional, and it should be omitted in deployments where Unified CM is the only call agent. Keep in mind that a user=phone tag in a SIP request sent to Unified CM starting with release 9.0 will force Unified CM to treat the SIP URI as a numeric URI. A SIP URI of the form alice@cisco.com;user=phone will never be routed successfully because the user=phone tag forces numeric treatment and alice will not match any numeric pattern provisioned in Unified CM.



Note

The Cisco Unified IP Phone 7905 and 7912 choose patterns in the order in which they have been created in the SIP dial rules, whereas all the other phone models choose the pattern offering the longest match. The following table shows which pattern would be chosen if a user dialed 95551212.

SIP Dial Rules	7905_7912	7940_7960_OTHER
.....	Chooses first matching pattern:	Chooses longest matching
9.....	pattern: 9.....

Call Routing in Unified CM

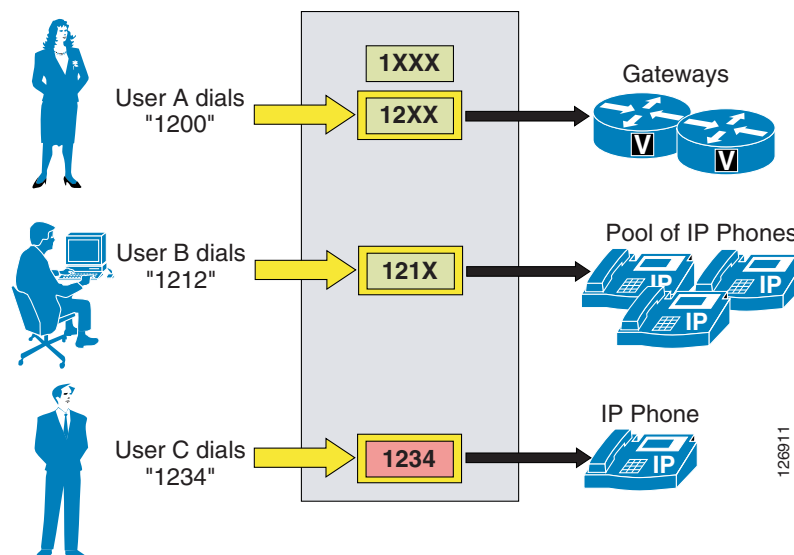
All numeric dialing destinations and directory URIs configured in Unified CM are added to its internal call routing table as patterns. These destinations include IP phone lines, voicemail ports, route patterns, translation patterns, and CTI route points. Unified CM uses two distinct routing tables for numeric dialing destinations and directory URIs.

When a directory URI is dialed, Unified CM uses full-match logic to find a case-sensitive match among the configured directory URIs in the directory URI routing table. When a number is dialed, Unified CM uses closest-match logic to select which pattern to match from among all the patterns in its numeric call routing table. In practice, when multiple potentially matching numeric patterns are present, the destination pattern is chosen based on the following criteria:

- It matches the dialed string, and
- Among all the potentially matching patterns, it matches the fewest strings other than the dialed string.

For example, consider the case shown in [Figure 9-36](#), where the call routing table includes the patterns 1XXX, 12XX, and 1234.

Figure 9-36 Unified CM Call Routing Logic Example



When user A dials the string 1200, Unified CM compares it with the patterns in its call routing table. In this case, there are two potentially matching patterns, 1XXX and 12XX. Both of them match the dialed string, but 1XXX matches a total of 1000 strings (from 1000 to 1999) while 12XX matches only 100 strings (from 1200 to 1299). Therefore, 12XX is selected as the destination of this call.

When user B dials the string 1212, there are three potentially matching patterns, 1XXX, 12XX and 121X. As mentioned above, 1XXX matches 1000 strings and 12XX matches 100 strings. However, 121X matches only 10 strings; therefore it is selected as the destination of the call.

When user C dials the string 1234, there are three potentially matching patterns, 1XXX, 12XX, and 1234. As mentioned above, 1XXX matches 1000 strings and 12XX matches 100 strings. However, 1234 matches only a single string (the dialed string); therefore it is selected as the destination of this call.

**Note**

Whenever a directory number (DN) is configured in Cisco Unified CM, it is placed in the call routing table, regardless of whether the respective device (for example, an IP phone) is registered or not. An implication of this behavior is that it is not possible to rely on secondary, identical patterns to provide failover capabilities to applications when the application (and hence the primary pattern) is unregistered. Because the primary pattern is permanently in the call routing table, the secondary pattern will never be matched.

Support for + Sign in Patterns

The + sign can be used in all patterns within Unified CM, including route patterns, translations patterns, and directory numbers. To use + in its literal sense, precede it with the escape character \ to differentiate it from the regular expression operator +, which means one or more instances of the preceding character. For example:

- \+14085264000 means +14085264000
- 2+ means 2, or 22, or 222, and so forth

Directory URIs

All endpoints registered with Unified CM are provisioned with one or more numeric (possibly including a leading +) directory numbers. Starting with Cisco Unified CM 9.0, up to five directory URIs can be associated with each directory number. This association can be created by explicitly associating directory URIs to directory numbers. If a directory URI is configured for an end user, this directory URI will be automatically associated with the primary extension of that end user as soon as the primary extension gets defined for that end user. All automatically associated directory URIs are created in the partition Directory URI, while manually configured directory URIs can be in any partition.

Exactly one of the directory URIs associated with a directory number has to be marked as the primary directory URI of that directory number. If a user directory URI gets associated automatically with the primary extension of that user, then this directory URI will also automatically be the primary directory URI for that directory number. If no directory URI is associated automatically, then one of the configured directory URIs has to be selected as the primary directory URI. The purpose of the primary directory URI is that this directory URI will be used as the calling identity directory URI for calls originating from the respective directory number.

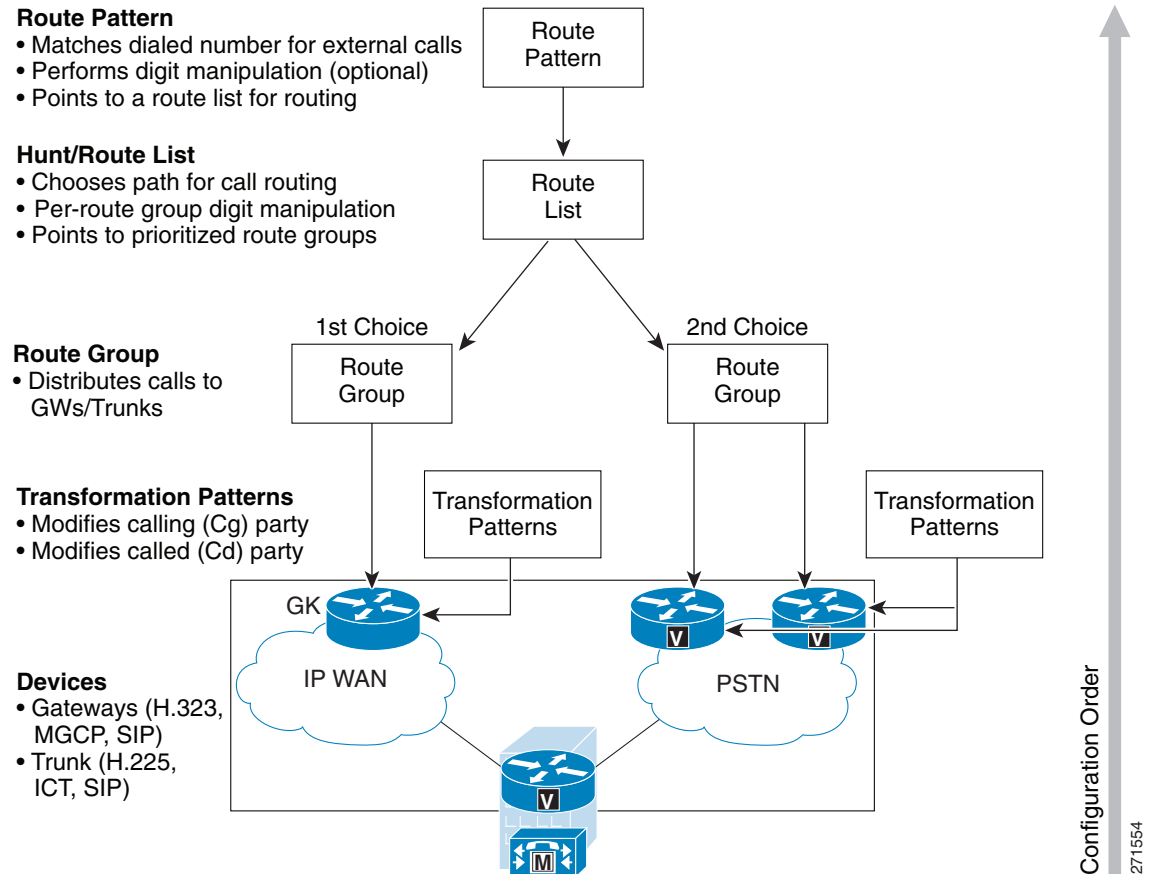
The possible association of directory URIs with any directory number allows callers to reach any directory number by dialing the associated directory URI. The called directory number can be on any device registered to Unified CM using any protocol. Similarly, Unified CM can deliver a directory URI caller ID for any call from any directory number as long as a directory URI is associated with the calling directory number.

External Routes in Unified CM

Unified CM automatically "knows" how to route calls to internal destinations within the same cluster. For external destinations such as PSTN gateways, H.323 gatekeepers, or other Unified CM clusters, you have to use the external route construct (described in the following sections) to configure explicit routing. This construct is based upon a three-tiered architecture that allows for multiple layers of call routing as well as digit manipulation. Unified CM searches for a configured route pattern that matches the external dialed string and uses it to select a corresponding route list, which is a prioritized list of the

available paths for the call. These paths are known as route groups and are very similar to trunk groups in traditional PBX terminology. Figure 9-37 depicts the three-tiered architecture of the Unified CM external route construct.

Figure 9-37 External Route Pattern Architecture



The following sections describe the individual elements of the external route construct in Unified CM:

- [Route Patterns](#), page 9-95
- [Route Lists](#), page 9-99
- [Route Groups](#), page 9-99
- [Route Group Devices](#), page 9-102

Route Patterns

Route patterns are strings of digits and wildcards, such as 9.[2-9]XXXXXX, configured in Unified CM to route calls to external entities. The route pattern can point directly to a gateway for routing calls or point to a route list, which in turn points to a route group and finally to a gateway.

Cisco strongly recommends that you use the complete route pattern, route list, and route group construct because it provides the greatest flexibility for call routing, digit manipulation, route redundancy, and future dial plan growth.

The @ Wildcard

- The @ wildcard is a special macro function that expands into a series of patterns representing the entire national numbering plan for a certain country. For example, configuring a single unfiltered route pattern such as 9.@ with the North American Numbering Plan really adds 166 individual route patterns to the Unified CM internal dial plan database.
- It is possible to configure Unified CM to accept other national numbering plans. Once this is done, the @ wildcard can be used for different numbering plans even within the same Unified CM cluster, depending on the value selected in the Numbering Plan field on the Route Pattern configuration page. For more information, please refer to the *Cisco Unified CallManager Dial Plan Deployment Guide*, available at http://www.cisco.com/en/US/products/sw/voicesw/ps5629/prod_maintenance_guides_list.html
- The @ wildcard can be practical in several small and medium deployments, but it can become harder to manage and troubleshoot in large deployments because adopting the @ wildcard forces the administrator to use route filters to block certain patterns (see [Route Filters, page 9-96](#)).

Route Filters

- Use route filters only with the @ route pattern to reduce the number of route patterns created by the @ wildcard. A route filter applied to a pattern not containing the @ wildcard has no effect on the resulting dial plan.
- The logical expression you enter with the route filter can be up to 1024 characters, excluding the NOT-SELECTED fields.
- As you increase the number of logical clauses in a route filter, the refresh time of the configuration page also increases and can become unacceptably long.
- For large-scale deployments, use explicit route patterns rather than the @ wildcard and route filters. This practice also facilitates management and troubleshooting because all patterns configured in Unified CM are easily visible from the Route Pattern configuration page.

International and Variable-Length Route Patterns

- International destinations are usually configured using the ! wildcard, which represents any quantity of digits. For example, in North America the route pattern 9.011! is typically configured for international calls. In most European countries, the same result is accomplished with the 0.00! route pattern.
- The ! wildcard is also used for deployments in countries where the dialed numbers can be of varying lengths. In such cases, Unified CM does not know when the dialing is complete and will wait for 15 seconds (by default) before sending the call. You can reduce this delay in any of the following ways:
 - Reduce the T302 timer (Service Parameter TimerT302_msec) to indicate end of dialing, but do not set it lower than 4 seconds to prevent premature transmission of the call before the user is finished dialing.
 - Configure a second route pattern followed by the # wildcard (for example, 9.011!# for North America or 0.00!# for Europe), and instruct the users to dial # to indicate end of dialing. This action is analogous to hitting the "send" button on a cell phone.

Overlap Sending and Overlap Receiving

In countries whose national numbering plan is not easily defined with static route patterns, you can configure Unified CM for overlap sending and overlap receiving.

Overlap sending means that Unified CM keeps collecting digits as they are dialed by the end users, and passes them on to the PSTN as they are dialed. To enable overlap sending, check the Allow Overlap Sending box on the Route Pattern Configuration page. (In some early Unified CM releases, overlap sending is enabled by setting the SendingCompleteIndicator service parameter to False.) The route pattern needs only to include the PSTN access code (for example, "9." in North America or "0." in many European countries).

Overlap receiving means that Unified CM receives the dialed digits one-by-one from a PRI PSTN gateway, and it then waits for completion of the dialed string before attempting to route the call to an internal destination. To enable overlap receiving, set the OverlapReceivingFlagForPRI service parameter to True. (In some early Unified CM releases, the parameter name was OverlapReceivingForPriFlag.)

Digit Manipulation in Route Patterns

- Digit manipulations configured on a route pattern affect the calling and called party number, no matter what route group the call eventually takes. Digit manipulations configured in the route list's view of its member route groups have a route-specific effect: only the transformations configured on the route group used to place the call will be performed.
- Digit manipulation in the route list's view of its member route group overrides any digit manipulation done in the route pattern.
- The calling and called party numbers resulting from the digit transformations configured in the route pattern and/or route lists are then processed by any Transformation Patterns configured for the devices contained in the chosen Route Group.
- If you configure digit manipulation in the route pattern, the Call Detail Record (CDR) records the dialed number after the digit manipulation has occurred. If you configure digit manipulation only in the route group, the CDR records the actual dialed number prior to the digit manipulation.
- Similarly, if you configure digit manipulation in the route pattern, the IP phone display of the calling party will show the manipulated number. If you configure digit manipulation only in the route group, the manipulations will be transparent to the end user.

Calling Line ID

- The calling line ID presentation can be enabled or disabled on the gateway and also can be manipulated in the route pattern, based on site requirements.
- If you select the option Use Calling Party's External Phone Number Mask, then the external call uses the calling line ID specified for the IP phone placing the call. If you do not select this option, then the mask placed in the Calling Party Transform Mask field is used to generate the calling party ID.

Urgent Priority

- The Urgent Priority checkbox is often used to force immediate routing of certain calls as soon as a match is detected, without waiting for the T302 timer to expire. For example, in North America, if the patterns 9.911 and 9.[2-9]XXXXXX are configured and a user dials 9911, Unified CM has to wait for the T302 timer before routing the call because further digits may cause the 9.[2-9]XXXXXX to match. If Urgent Priority is enabled for the 9.911 route pattern, Unified CM makes its routing decision as soon as the user has finished dialing 9911, without waiting for the T302 timer.

- It is important to note that the Urgent Priority checkbox forces the T302 timer to expire as soon as the configured pattern is the best match for the dialed number. This does not mean that the urgent pattern has a higher priority than other patterns; the closest-match logic described in the section on [Call Routing in Unified CM, page 9-93](#), still applies.

For example, assume the route pattern 1XX is configured as urgent and the pattern 12! is configured as a regular route pattern. If a user dials 123, Unified CM will not make its routing decision as soon as it receives the third digit because even though 1XX is an urgent pattern, it is not the best match (10 total patterns matched by 12! versus 100 patterns matched by 1XX). Unified CM will have to wait for inter-digit timeout before routing the call because the pattern 12! allows for more digits to be input by the user.

Consider another example, where pattern 12[2-5] is marked as urgent and 12! is configured as a regular pattern. If the user dials 123, the pattern 12[2-5] is the best match (4 total patterns matched by 12[2-5] versus 10 patterns matched by 12!). Because the T302 timer is aborted and because the urgent-priority pattern is the best match, no further user input is expected. Unified CM routes the call using pattern 12[2-5].

Call Classification

- Calls using this route pattern can be classified as on-net or off-net calls. This route pattern can be used to prevent toll fraud by prohibiting off-net to off-net call transfers or by tearing down a conference bridge when no on-net parties are present. (Both of these features are controlled by Service Parameters within Unified CM Administration.)
- When the "Allow device override" box is enabled, the calls are classified based on the call classification settings on the associated gateway or trunk.

Forced Authorization Codes (FAC)

- The Forced Authorization Codes (FAC) checkbox is used to restrict the outgoing calls when using a particular route pattern. If you enable FAC through route patterns, users must enter an authorization code to reach the intended recipient of the call.
- When a user dials a number that is routed through a FAC-enabled route pattern, the system plays a tone that prompts for the authorization code. To complete the call, the user authorization code must meet or exceed the level of authorization that is specified to route the dialed number.
- Only the authorization name appears in the call detail records (CDR); the authorization code does not appear in the CDR.
- The FAC feature is not available if the "Allow overlap sending" checkbox is enabled.

Client Matter Codes (CMC)

- The Client Matter Code (CMC) checkbox is used to track calls to certain numbers when using a particular route pattern. (For example, a company can use it to track calls to certain clients.)
- If you enable CMC for a route pattern, users must enter a code to reach the intended destination.
- When a user dials a number that is routed through a CMC-enabled route pattern, the system plays a tone that prompts for the code. The user must enter the correct code in order to complete the call.
- Client Matter Codes appear in the call detail records so that they can be used by the CDR analysis and reporting tool to generate reports for client billing and accounting.
- The CMC feature is not available if the "Allow overlap sending" checkbox is enabled.
- If both CMC and FAC are enabled, the user dials a number, enters the FAC when prompted to do so, and then enters the CMC at the next prompt.

SIP Route Pattern

SIP route patterns are configured in Unified CM to route or block calls to external entities based on the host portion (right-hand side) of SIP URIs. A SIP route pattern can point directly to a SIP trunk or (starting with Unified CM 9.0) point to a route list that then refers to one or more route groups and finally to SIP trunks. The use of the full SIP route pattern, route list, route group construct is highly recommended because it offers more flexibility.

SIP route patterns matching on the host piece of a SIP URI can match on a domain name or an IP address, both of which are possible as the right-hand side of a SIP URI. Wildcards can be used in domain name SIP route patterns to match on multiple domains (for example, *.cisco.com and ccm[1-4].uc.cisco.com). In IP address SIP route patterns, a subnet notation can be used (for example, 192.168.10.0/24).

Route Lists

A route list is a prioritized list of eligible paths (route groups) for an outbound call. A typical use of a route list is to specify two paths for a remote destination, where the first-choice path is across the IP WAN and the second-choice path is through a PSTN gateway.

Route lists have the following characteristics:

- Multiple route patterns may point to the same route list.
- A route list is a prioritized list of route groups that function as alternate paths to a given destination. For example, you can use a route list to provide least-cost routing, where the primary route group in the list offers a lower cost per call and the secondary route group is used only if the primary is unavailable due to an "all trunks busy" condition or insufficient IP WAN resources.
- Each route group in the route list can have its own digit manipulation. For example, if the route pattern is 9.@ and a user dials 9 1 408 555 4000, the IP WAN route group can strip off the 9 1 while the PSTN route group may strip off just the 9.
- Multiple route lists can contain the same route group. The digit manipulation for the route group is associated with the specific route list that points to the route group.
- If you are performing several digit manipulations in a route pattern or a route group, the order in which the transformations are performed can impact the resulting calling and called party numbers used for the call. Unified CM performs the following major types of digit manipulations in the order indicated:
 1. Discarding digits
 2. Called/calling party transformations
 3. Prefixing digits
 4. Called/calling party transformation patterns

Route Groups

Route groups control and point to specific devices, which are typically gateways (MGCP, SIP, or H.323), H.323 or SIP trunks to a gatekeeper, remote Unified CM cluster, or Cisco Unified Border Element. Unified CM sends calls to the devices according to the distribution algorithm assigned. Unified CM supports top-down and circular algorithms.

Calling and Called Party Transformation Patterns

A calling party transformation pattern allows the system to adapt the global form of the calling party's number into the local form required by off-cluster networks connected to the route group devices, such as gateways or trunks.

A called party transformation pattern allows the system to adapt the global form of the called party's number into the local form required by off-cluster networks connected to the route group devices.

**Note**

Called party transformation patterns do not have any effect on phones. The called party transformation pattern CSS of the device pool does not impart any effects on the phones to which it is assigned.

Both pattern types consist of a numerical representation of the calling or called party number to be matched. The syntax used is the same as that of other patterns such as route patterns, transformation patterns, directory numbers, and so forth. (See [Figure 9-38](#).)

The transformation operators include discard digit instructions (for example, pre-dot), a calling party transformation mask, prefix digits, and control over the calling party presentation (either Default, Allowed, or Restricted). Calling party transformation patterns can be configured to use the calling party's external phone number mask as the calling party number.

Partitions and calling search spaces control which calling party transformation patterns are applied to which gateways or trunks. Gateways or trunks can use either their associated device pool's calling party transformation CSS or the device's own calling party transformation CSS, in reverse order of precedence. The same mechanism is used to control the applicability of called party transformation patterns.

Calling and called party transformation patterns configured on a Gateway Configuration page under **Call Routing Information - Outbound Calls** affect the calling or called party number sent to the gateway, as well as the calling or called party's numbering type and numbering plan. Calling party transformation patterns applied under **Incoming Calling Party Settings** apply to calls coming from the gateway.

Figure 9-38 Calling and Called Party Transformation Patterns

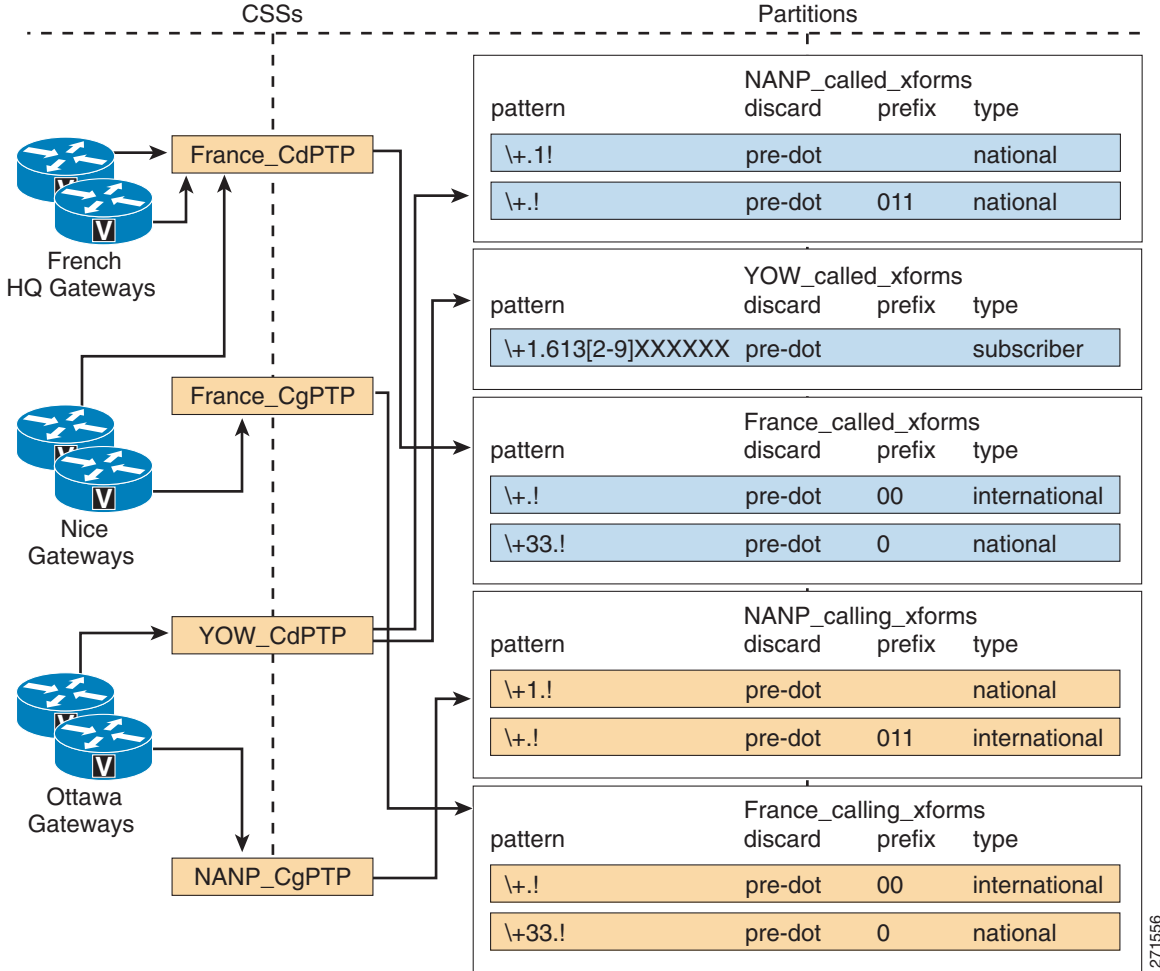


Figure 9-38 illustrates how calling and called party transformation patterns would be applied to different groups of gateways connected to the PSTN in different parts of the PSTN.

Within the North American Numbering Plan (NANP), gateways located in Ottawa, Canada (airport code YOW) are assigned to the Calling Party Transformation CSS NANP_CgPTP, which contains partition NANP_calling_xforms. Any call with a calling party number beginning with +1 (that is, originating from within the NANP) would match both patterns configured within partition NANP_calling_xforms. Following the best-match logic, the first pattern will be chosen, and the calling party number will be stripped of the + sign and NANP country code 1. The remaining part of the calling party number will be used as the calling party number sent to the PSTN, with numbering type set to National.

For example, if a call from +1 613 555 1234 were sent out the YOW gateways, the calling party number would be transformed to 613 555 1234 with a numbering type set to National.

If a call from the same caller were to be sent to a French gateway, a different set of calling party transformation patterns would apply. For example, if a call from +1 613 555 1234 were sent out a gateway located in Nice, France (airport code NCE), the calling party transformation patterns contained in partition France_calling_xforms would be applied. In this case, the calling party number would be transformed to 001 613 555 1234 with the numbering type set to International.

**Note**

Calling party number transformations may be overridden once the call is sent out the gateway. Many service providers will not permit calling party numbers outside a given range, as determined by local service agreements or regulations.

The same process applies to the called party number transformation patterns. For Ottawa gateways, the assigned called party transformation CSS is YOW_CdPTP, which contains partitions NANP_Called_xforms and YOW_Called_xforms. A call placed to a destination number within the Numbering Plan Area 613 would match all patterns contained in these two partitions. However, the best match process would select pattern \+1.613[2-9]XXXXXX.

For example, on a call placed to +1 613 555 9999 through the Ottawa gateways, the called party number would be transformed to 516 555 9999 with a numbering type set to Subscriber.

Incoming Calling Party Settings (per Gateway)

Incoming calling party settings can be configured on individual gateways, at the device pool level, or at the service parameter level, in order of precedence. For each numbering type (Subscriber, National, International, or Unknown), Unified CM allows for the appropriate prefix digits to be configured. Digits can be stripped from and prefixed to the string provided as the incoming party number. The notation takes the form PP:SS, where PP represents the digits to be prefixed and SS represents a quantity of digits to be stripped. The digit stripping operation is performed first on the incoming calling party number, and then the prefix digits are added to the resulting string. For example, if the prefix digits field is configured as +33:1 and the incoming calling party number is 01 58 40 58 58, the resulting string will be +33 1 58 40 58 58.

In Cisco Unified CM 7.1, each numbering type can be configured with a Calling Search Space used to apply Calling Party Transformation Patterns to the calls. The calling search space should contain partitions containing calling party transformation patterns exclusively. This allows the modifications applied to the calling party number to be based on the structure of the calling party number rather than strictly on its numbering type. The calling party transformation patterns use regular expressions to match the calling party number. The best-match process is used to choose between multiple matches, and the selected pattern's Calling Party Transformations are applied to the call.

Route Group Devices

The route group devices are the endpoints accessed by route groups, and they typically consist of gateways or trunks to a gatekeeper or to remote Unified CMs. You can configure the following types of devices in Unified CM:

- Media Gateway Control Protocol (MGCP) gateways
- SIP gateways
- H.323 gateways
- H.225 trunk, gatekeeper controlled — trunk to standard H.323 gateways, via a gatekeeper
- Intercluster trunk, not gatekeeper controlled — direct trunk to another Unified CM cluster
- Intercluster trunk, gatekeeper controlled — trunk to other Unified CM clusters and/or H.323 gateways, via a gatekeeper
- SIP trunk — trunk to another Unified CM cluster, a Cisco Unified Border Element, a Session Border Controller, or a SIP proxy

**Note**

Both the H.225 and intercluster trunk (gatekeeper controlled) will automatically discover if the other endpoint is a standard H.323 gateway or a Unified CM and will select H.225 or Intercluster Trunk protocol accordingly.

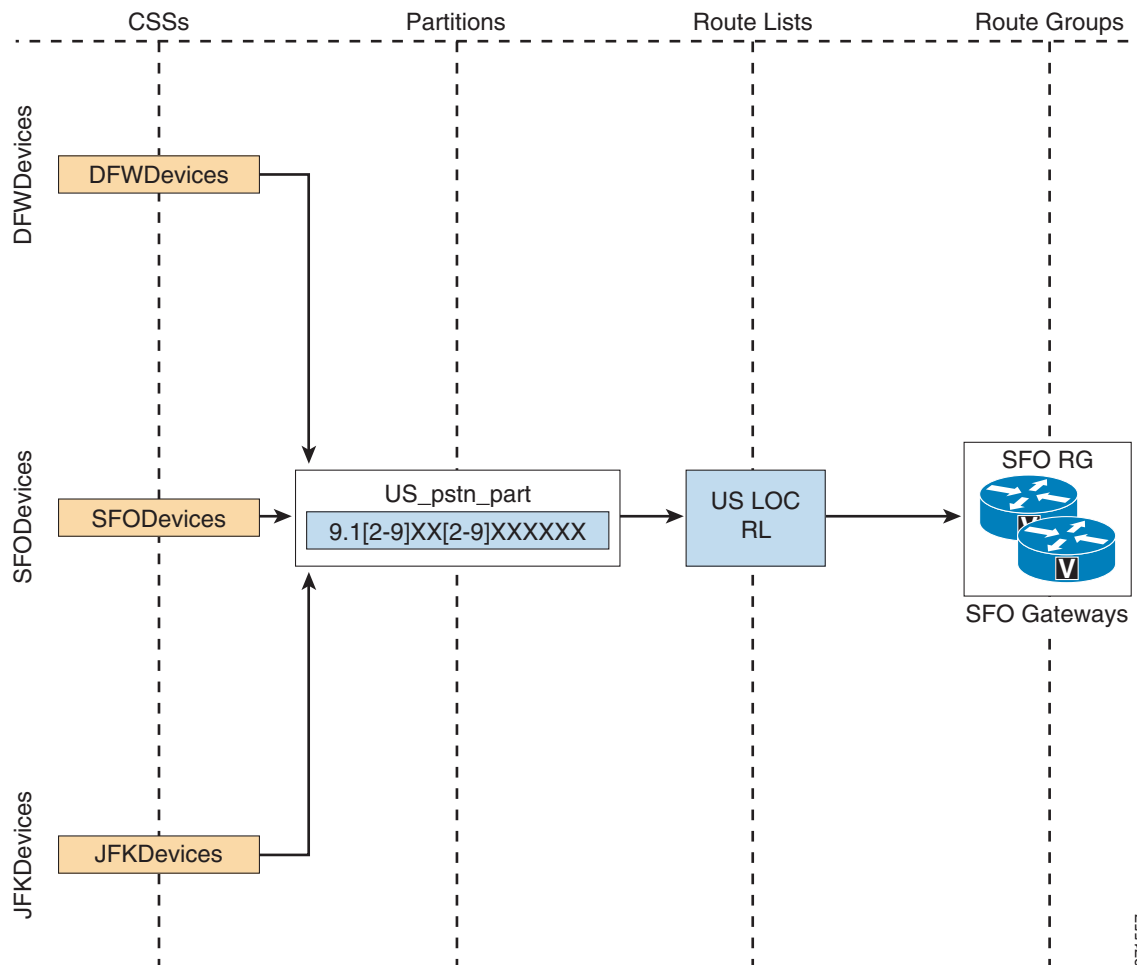
Local Route Group

Device pools can be associated with a local route group. Route patterns using the local route group offer a unique characteristic: they allow for dynamic selection of the egress gateway, based on the device originating the call. By contrast, calls routed by route patterns using static route groups will route the call to the same gateway, no matter what device originated the call.

Example 9-2 Comparison of Local and Non-Local Route Groups

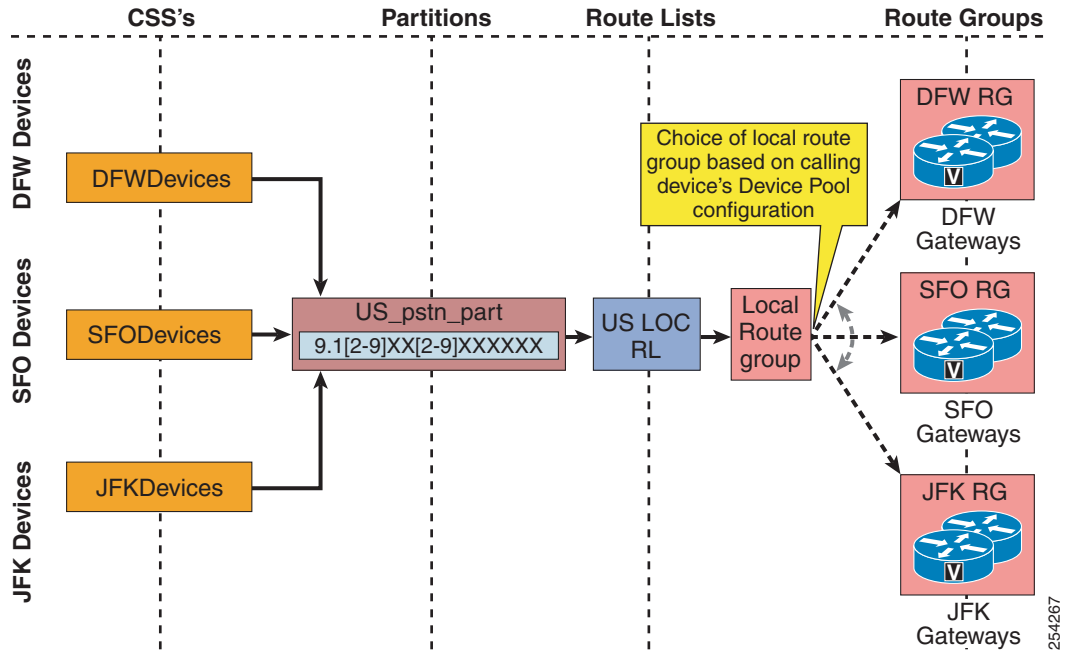
In [Figure 9-39](#), a route pattern defined as 9.1[2-9]XX[2-9]XXXXXX points to a route list referencing a non-local route group containing San Francisco gateways. If this route pattern is placed in a partition contained in the calling search spaces of phones in Dallas, San Francisco, and New York, national calls from devices in those three cities will egress to the PSTN in San Francisco.

Figure 9-39 Non-Local Route Group Behavior



By contrast, if this same route pattern is modified to point to a route list containing the Standard Local Route Group as in [Figure 9-40](#), then calls made from the Dallas site would egress to the PSTN through the Dallas gateway, calls made from the New York site would egress to the PSTN through the New York gateway, and calls made from the San Francisco site would egress to the PSTN through the San Francisco gateway.

Figure 9-40 Local Route Group Behavior



The Device Mobility feature allows the device pool to be assigned to an endpoint based on the current subnet to which it has roamed. This permits assignment of the local route group to be based on the site where the phone is currently located.

Example 9-3 Device Mobility

A phone is moved from the San Francisco site to the New York site. Based on the phone's new IP address (part of the IP subnet associated with the New York site), a New York device pool is assigned to the phone. If the next call placed by the roaming phone matches a route pattern using a route list containing the Standard Local Route Group, it will be routed through the New York gateway.

If a local route group is used in forwarded call scenarios where, for example, phone A calls phone B and B is forwarded to a destination in the PSTN, then the route pattern in the call forward calling search space of phone B determines the class of service for calls forwarded by phone B, whereas by default the local route group associated with phone A's device pool is used to determine the egress gateways when hitting Standard Local Route group in the route list selected by the route pattern found using phone B's call forward calling search space. As a result, typically a gateway local to phone A is used for the forwarded call. This makes sure that the caller ID of the initial caller (phone A) can be sent to the PSTN and that this caller ID will not be screened by the provider. Starting with Unified CM 9.0, there is a service parameter that allows you to configure the local route group selection policy for forwarded calls. The service parameter can be set to:

- **Calling Party's Local Route Group** — Backward compatible default. The local route group associated with the initial caller's device pool is selected (phone A in above example).
- **Original Called Party** — The local route group associated with the called phone's device pool is selected (phone B in above example).

- Last Redirecting Party** — The local route group associated with the phone's device pool that is forwarding the call to the PSTN is selected (phone B in above example). These last two options differ only in cases where the call is forwarded through multiple hops before it finally gets forwarded out to the PSTN.

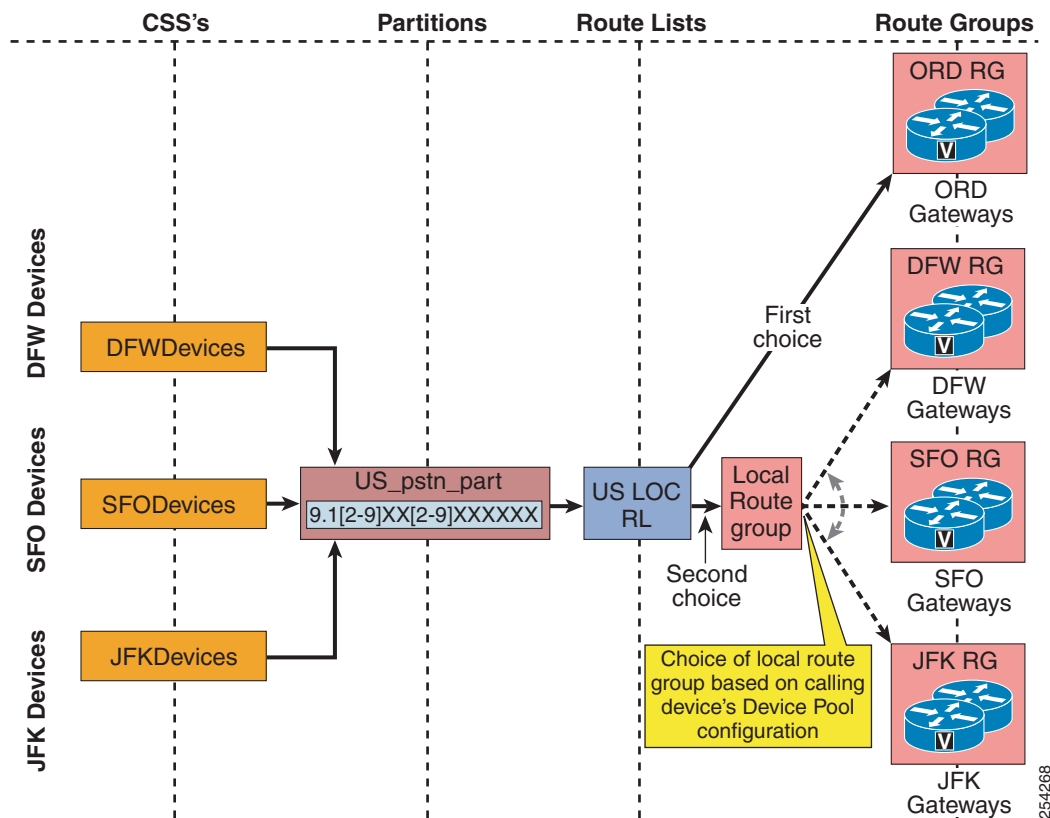
Centralized Gateway with Local Failover to the PSTN

Local route groups simplify the local failover to the PSTN for systems where a centralized gateway is configured. A single route list can be used to route PSTN calls for multiple sites while allowing local failover to the gateway at the site of origin.

Example 9-4 Centralized Gateways and Local Failover

A company negotiates a favorable PSTN interconnection rate for a group of trunks located in Chicago. If a route list includes a route group containing gateways in Chicago as its first entry and the Standard Local Route Group as the second choice, then any call it processes will first be sent to the preferred lower-cost gateways in Chicago. If a Chicago gateway is not available, if no ports are free, or if there is not enough bandwidth to allow the call between the calling phone and the Chicago gateway, then the next choice will be to attempt to route the call through the gateway co-located with the calling phone, as determined by the local route group in the calling phone's device pool configuration. (See Figure 9-41.)

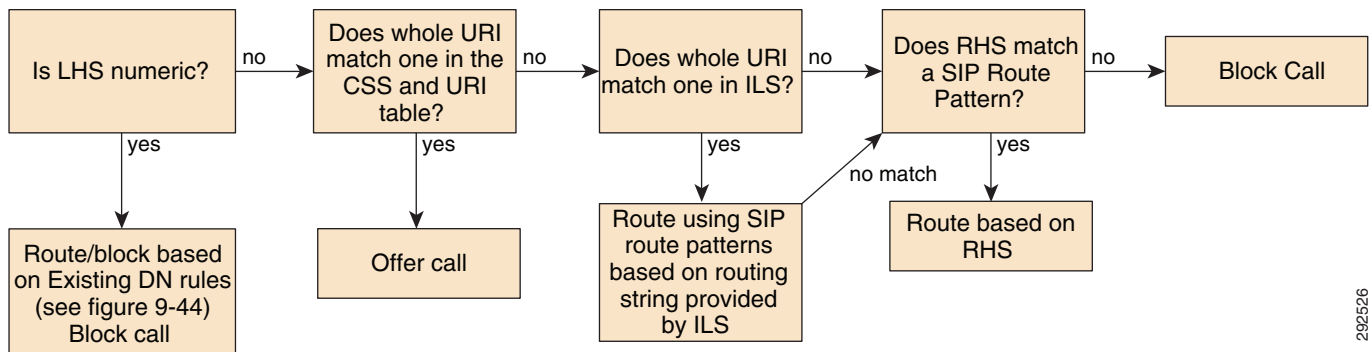
Figure 9-41 Centralized Gateway with Local Failover to the PSTN



Routing of SIP Requests in Unified CM

Routing of SIP requests received from SIP trunks or SIP endpoints follows certain rules to make sure that both local and intercluster routing requirements are met. Figure 9-42 shows a flowchart of routing decisions made by Unified CM. The first step is to check whether the left-hand side (user portion) of the URI is a directory number or a directory URI.

Figure 9-42 Call Routing Logic for SIP Request



292526

Numeric URI Versus Directory URI

If the SIP request carries a user=phone tag, the SIP URI will always be interpreted as a numeric SIP URI and Unified CM assumes that the user portion of the SIP URI is a directory number. If no user=phone is present, the decision is based on the dial string interpretation setting in the calling device's (endpoint or trunk) SIP profile. This setting either defines a set of characters that Unified CM will accept as part of numeric SIP URIs (0-9, *, #, +, and optionally A-D) or it enforces the interpretation as a directory URI.

For routing purposes prior to Unified CM 9.0, whether a URI is numeric or alpha, all SIP URI routing follows the numeric routing logic described in the section on [Routing Numeric URIs](#), page 9-109.

Routing Directory URIs

The next step after identifying a SIP URI as being non-numeric is to try to route the SIP request based on the calling search space of the calling device. Unified CM searches for a full match of the SIP URI against all directory URIs configured in the partitions addressed by the calling device's calling search space. If a match is found, the call is extended to the directory number associated with the matched local directory URI.

In case no matching local directory URI is found, Unified CM tries to locate the SIP URI in imported directory URI catalogs or directory URI catalogs learned through ILS from remote systems, again by searching for a full match. In case of a match, the SIP request is routed by matching the SIP route string associated with the found directory URI against configured SIP route patterns. (See [Figure 9-43](#).)

In case the SIP URI does not match a local directory URI and also does not match any directory URI in any directory URI catalog, Unified CM then routes the SIP request based only on matching the right-hand side of the SIP URI against configured SIP route patterns. This routing of last resort can be used to create a default route for all SIP URIs not known locally or on any other call control connected through ILS.

Figure 9-43 Example for Routing a Directory URI

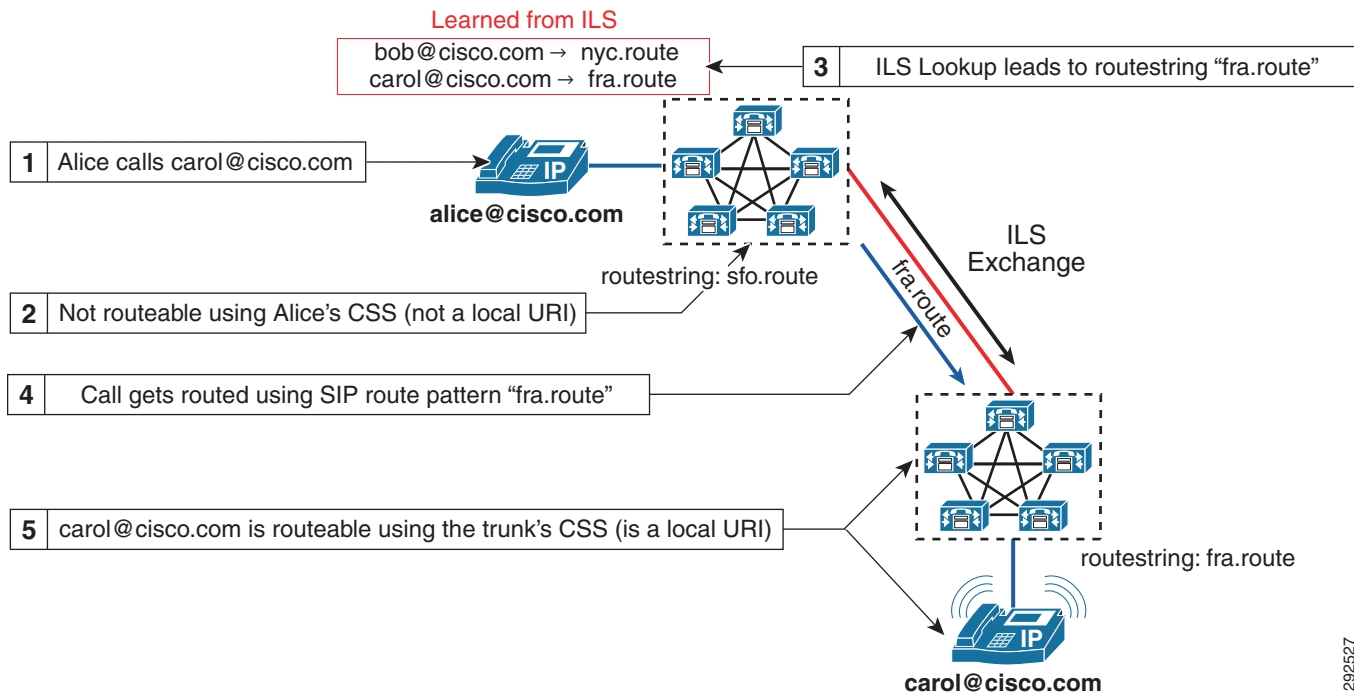


Figure 9-43 shows an example of how a dialed directory URI might be routed by Unified CM. In this example the bottom Unified CM cluster advertises the local directory URI carol@cisco.com. All local directory URIs of this Unified CM cluster are advertised under the SIP routestring fra.route. As part of this information exchange over ILS, the Unified CM cluster at the top populated its local directory URI catalog with the association of carol@cisco.com to the SIP routestring fra.route. If someone then places a call from the phone registered in the top cluster to directory URI carol@cisco.com, the local lookup of directory URI carol@cisco.com will fail because carol@cisco.com is not a local directory URI. The next step in the routing process is to search for carol@cisco.com in the table of directory URIs learned through ILS. This search will find the information learned from the bottom cluster, and the originating cluster at the top then takes the learned SIP routestring fra.route and tries to find a route by matching this SIP routestring fra.route against the configured SIP route patterns. A SIP route pattern fra.route is configured and points to a route list that ultimately leads to the SIP trunk pointing to the target Unified CM cluster. The originating Unified CM cluster thus routes the call down to the destination Unified CM cluster. The destination in the sent SIP request will be carol@cisco.com. On the destination cluster, the same routing logic as shown in Figure 9-42 then tries to match carol@cisco.com against all local directory URIs on the destination cluster, which leads to a full match and the target device rings.

The above example shows that the SIP route string namespace is completely independent of the directory URI namespace. There is no requirement to use SIP route strings that are related in any way to the structure of the namespace used for the host portion of directory URIs. This allows to optimize the SIP route string namespace based on the desired routing topology. To disambiguate between SIP route patterns used to directly match on the URI host portion and SIP route patterns used to route directory URIs based on SIP route strings, Cisco highly recommends using an independent namespace for SIP route string route patterns (for example, ".route" or ".ils").

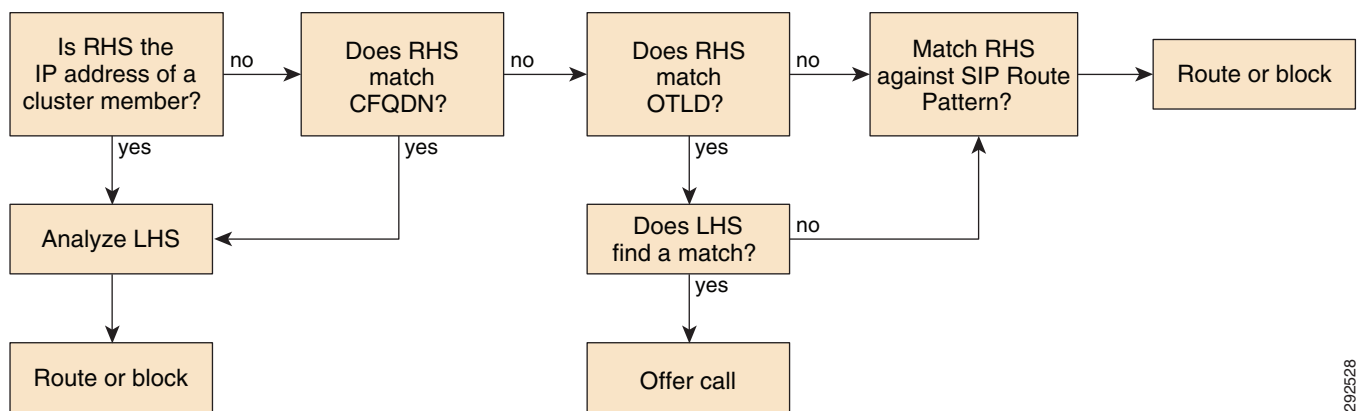
In the above example, the SIP route strings chosen basically identify the individual call controls (fra.route, nyc.route), and the SIP route pattern grid used to route directory URI SIP requests based on learned SIP route strings uses explicit patterns (fra.route, nyc.route) to create the desired reachability. In

a hierarchical topology, hierarchical SIP route strings (for example, sjc.us.route, nyc.us.route, fra.de.route, and muc.de.route) might be used together with wildcard SIP route patterns (*.de.route, *.us.route) routing to the respective aggregating Cisco Unified Communications Manager Session Management Edition (SME) clusters responsible for the addressed set of Unified CM clusters.

Routing Numeric URIs

If a SIP URI is considered to be a numeric URI either because the request included a user=phone tag or based on the originating device's SIP profile dial string interpretation settings, the call is handled according to the flowchart shown in Figure 9-44. For Unified CM prior to release 9.0, this is the standard routing procedure for routing of SIP requests.

Figure 9-44 Call Routing Logic for numeric SIP Request



292528

The first step is to check whether the right-hand side of the SIP URI is an IP address of any server that is a member of the Unified CM cluster or matches the cluster fully qualified domain name configured in Unified CM enterprise parameters. In this case the left-hand side of the URI is considered to be a local directory number and will be routed as a number using the calling device's calling search space.

The next step is to check whether the right-hand side of the SIP URI matches the organization's top-level domain configured in Unified CM enterprise parameters. If this is the case, again Unified CM will try to route the call using the calling device's calling search space. But if no match can be found, then routing will fall back to route the call by matching the right-hand side of the SIP URI against the configured SIP route patterns.

Assuming a Unified CM cluster with cluster members having IP addresses 192.168.10.10, 192.168.10.11, 192.168.20.10, and 192.168.20.11, cluster fully qualified domain name configured as ucm1.cisco.com, and organization top-level domain configured as cisco.com, then all of the following SIP URIs would be routed to local directory number 1234:

- 1234@192.168.10.10
- 1234@192.168.10.11
- 1234@192.168.20.10
- 1234@192.168.20.11
- 1234@ucm1.cisco.com
- 1234@cisco.com

Assuming that no local directory number 1234 exists, the first five calls would fail immediately while Unified CM would try to route the sixth call by matching cisco.com against the configured SIP route patterns.

Calling Privileges in Unified CM

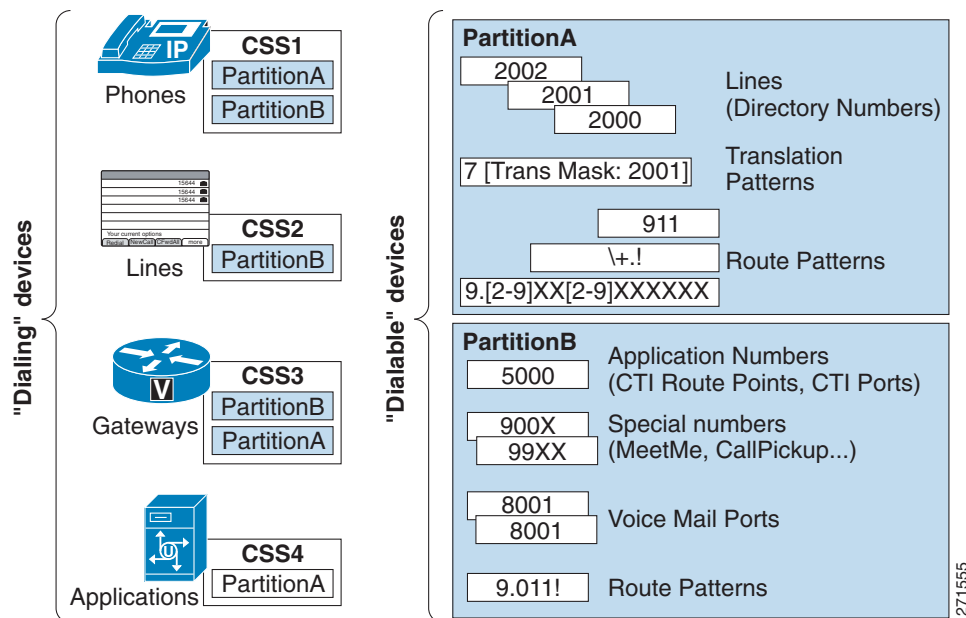
Dialing privileges are configured in order to control which types of calls are allowed (or prevented) for a particular endpoint (such as phones, gateways, or CTI applications). All calls handled by Unified CM are subjected to the dialing privileges implemented through the configuration of the following elements:

- [Partitions, page 9-110](#)
- [Calling Search Spaces, page 9-112](#)

A *partition* is a group of directory numbers (DNs) or directory URIs with similar accessibility, and a *calling search space* defines which partitions are accessible to a particular device. A device can call only those DNs and directory URIs located in the partitions that are part of its calling search space.

As illustrated in [Figure 9-45](#), items that can be placed in partitions all have a dialable pattern, and they include phone lines, route patterns, translation patterns, CTI route group lines, CTI port lines, voicemail ports, and Meet-Me conference numbers. Conversely, items that have a calling search space are all devices capable of dialing a call, such as phones, phone lines, gateways, and applications (via their CTI route groups or voicemail ports).

Figure 9-45 Partitions and Calling Search Spaces



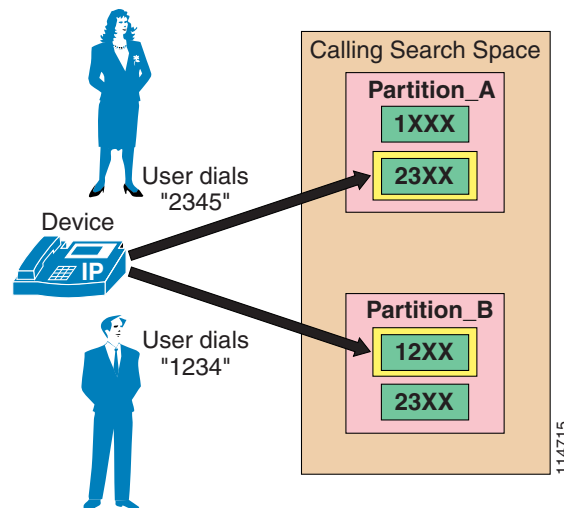
Partitions

The dial plan entries that you may place in a partition include IP phone directory numbers, directory URIs, translation patterns, route patterns, CTI route points, and voicemail ports. As described in the section on [Call Routing in Unified CM, page 9-93](#), if two or more numeric dial plan entries (directory

numbers, route patterns, or so forth) overlap, Unified CM selects the entry with the closest match (most specific match) to the dialed number. In cases where two dial plan entries match the dialed pattern equally, Unified CM selects the dial plan entry that appears first in the calling search space of the device making the call. Directory URIs always have to match completely; there is no concept of partial matches for directory URIs.

For example, consider [Figure 9-46](#), where route patterns 1XXX and 23XX are part of Partition_A and route patterns 12XX and 23XX are part of Partition_B. The calling search space of the calling device lists the partitions in the order Partition_A:Partition_B. If the user of this device dials 2345, Unified CM selects route pattern 23XX in Partition_A as the matching entry because it appears first in the calling device's calling search space. However, if the user dials 1234, Unified CM selects route pattern 12XX in Partition_B as the matching entry because it is a closer match than 1XXX in Partition_A. Remember that the partition order in a calling search space is used exclusively as a tie-breaker in case of equal matches based on the closest-match logic.

Figure 9-46 Impact of Partition Order on the Matching Logic



Note

When multiple equal-precision matches occur in the same partition, Unified CM selects the entry that is listed first in its local dial plan database. Since you cannot configure the order in which the dial plan database lists dial plan entries, Cisco strongly recommends that you avoid any possibility of equal-precision matches coexisting within the same partition because the resulting dial plan logic is not predictable in such cases.

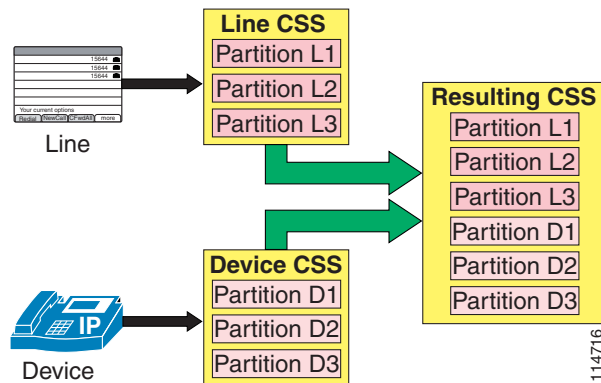
Partitions can be activated or deactivated based on the time and date. You can activate or deactivate partitions by first configuring time periods and schedules within Unified CM Administration and then assigning a specific time schedule to each partition. Outside of the times and days specified by the schedule, the partition is inactive, and all patterns contained within it are ignored by the Unified CM call routing engine. For more information on this feature, see [Time-of-Day Routing, page 9-134](#).

Calling Search Spaces

A calling search space defines which partitions are accessible to a particular device. Devices that are assigned a certain calling search space can access only the partitions listed in that calling search space. Attempts to dial a DN or directory URI in a partition outside that calling search space will fail, and the caller will hear a busy signal.

If you configure a calling search space both on an IP phone line and on the device (phone) itself, Unified CM concatenates the two calling search spaces and places the line's calling search space in front of the device's calling search space, as shown in [Figure 9-47](#).

Figure 9-47 Concatenation of Line and Device Calling Search Spaces for IP Phones



Note

When device mobility is not used, the device calling search space is static and remains the same even as the device is moved to different parts of the network. When device mobility is enabled, the device calling search space can be determined dynamically based on where in the network the phone is physically located, as determined by the phone's IP address. See [Device Mobility](#), page 9-122, for more details.

If the same route pattern appears in two partitions, one contained in the line's calling search space and one contained in the device's calling search space, then according to the rules described in the section on [Partitions](#), page 9-110, Unified CM selects the route pattern listed first in the concatenated list of partitions (in this case, the route pattern associated with the line's calling search space).

For recommendations on how to set the line and device calling search spaces, refer to the sections on [Building Classes of Service for Unified CM with the Traditional Approach](#), page 9-54, and [Building Classes of Service for Unified CM with the Line/Device Approach](#), page 9-57.

The maximum length of the combined calling search space (device plus line) is 1024 characters, including separator characters between each partition name. (For example, the string "partition_1:partition_2:partition_3" contains 35 characters.) Thus, the maximum number of partitions in a calling search space varies, depending on the length of the partition names. Also, because the calling search space clause combines the calling search space of the device and that of the line, the maximum character limit for an individual calling search space is 512 (half of the combined calling search space clause limit of 1024 characters).

Therefore, when you are creating partitions and calling search spaces, keep the names of partitions short relative to the number of partitions that you plan to include in a calling search space. For more details on configuring calling search spaces, refer to the *Cisco Unified Communications Manager Administration Guide*, available online at

<http://www.cisco.com>

Before you configure any partitions or calling search spaces, all DNs reside in a special partition named <None>, and all devices are assigned a calling search space also named <None>. When you create custom partitions and calling search spaces, any calling search space you create also contains the <None> partition, while the <None> calling search space contains *only* the <None> partition.

**Note**

Any dial plan entry left in the <None> partition is implicitly reachable by *any* device making a call. Therefore, to avoid unexpected results, Cisco strongly recommends that you do not leave dial plan entries in the <None> partition.

**Note**

Cisco strongly recommends that you do not leave any calling search space defined as <None>. Doing so can introduce dial plan behavior that is difficult to predict.

Special Considerations for Transformation Patterns

Calling and called transformation patterns are also placed in partitions, and those partitions are included in calling search spaces (CSSs) but not in order to control calling privileges. The partitioning of transformation patterns serves to choose which transformations are applied to which gateways, trunks, or phones. Partitions contained in calling party transformation pattern CSSs should contain only calling party transformation patterns. Likewise, partitions contained in called party transformation pattern CSSs should contain only called party transformation patterns.

Call-Forward Calling Search Spaces

**Note**

Call Forward All actions are different than any other call-forward action in that the destination number is entered by each individual user when the feature is activated from a phone.

The system allows you to decide how call-forward calling search spaces take effect. There are three possible options, as selected by the Calling Search Space Activation policy:

- Use System Default

If you configure the Calling Search Space Activation Policy to Use System Default, then the CFA CSS Activation Policy cluster-wide service parameter determines which Forward All Calling Search Space will be used. The CFA CSS Activation Policy service parameter can be set to With Configured CSS or to With Activating Device/Line CSS (see below). By default, the CFA CSS Activation Policy service parameter is set to With Configured CSS.

- With Configured CSS

If you select the With Configured CSS option, the Forward All Calling Search Space and Secondary Calling Search Space for Forward All explicitly configured in the Directory Number Configuration window control the forward-all activation and call forwarding. If the Forward All Calling Search Space is set to None, no CSS gets configured for Forward All. A forward-all activation attempt to any directory number with a partition will fail. No change in the Forward All Calling Search Space and Secondary Calling Search Space for Forward All occurs during the forward-all activation.

- With Activating Device/Line CSS

If you prefer to use the combination of the Directory Number Calling Search Space and Device Calling Search Space without explicitly configuring a Forward All Calling Search Space, select With Activating Device/Line CSS for the Calling Search Space Activation Policy. With this option,

when Forward All is activated from the phone, the Forward All Calling Search Space and Secondary Calling Search Space for Forward All are automatically populated with the Directory Number Calling Search Space and Device Calling Search Space for the activating device. When you set the Forward All Destination from Unified CM Administration, the Forward All Calling Search Space and Secondary Calling Search Space are not automatically populated and have to be configured explicitly. The two calling search spaces are concatenated, and the resulting calling search space is used to validate the number entered as a Call Forward All destination. For further details, see [Building Classes of Service for Unified CM with the Line/Device Approach, page 9-57](#).

With this configuration (Calling Search Space Activation Policy set to With Activating Device/Line), if the Forward All Calling Search Space is set to None when forward-all is activated through the phone, the combination of Directory Number Calling Search Space and activating Device Calling Search Space is used to verify the forward-all attempt.

**Note**

Call Forward All configuration typically has to satisfy two requirements: controlling the destinations to which the device is allowed to forward calls, and ensuring that optimum call routing is achieved when calls originating from various points of origin are forwarded to the Call Forward All destination. To achieve both requirements, Cisco recommends using the With Configured CSS activation policy, which allows for controlling the destinations through the Line-Device dial plan approach; the Call Forward All CSS is used to implement a set of restrictions through the use of blocked patterns, and it can be set to the same calling search space configured on the line if the regular class of service is to be used for Call Forward All. The Secondary Calling Search Space for Call Forward All should then be configured to route calls to the Standard Local Route Group; the actual route group used to route the call will be determined at the time of the call, based on the calling (forwarded) device's local route group as configured on its device pool.

On Type-A IP phones running SIP, if Call Forward All is invoked from the phone itself, the device's Rerouting Calling Search Space is used for forwarded calls. If Forward All actions are invoked from the Unified CM User page or the Unified CM Administrative page, then any Forward All action initiated from the phone is irrelevant.

For example, assume an Type-A IP phone running SIP is configured with Forward All to extension 3000 from the Unified CM User page. At the same time, the phone itself is configured to Forward All to extension 2000. All calls made to that phone will be forwarded to extension 3000.

**Note**

On Type-A IP phones running SIP, invoking Forward All from the Unified CM User or Administrative pages will not be reflected on the phone. The phone does not display any visual confirmation that calls are forwarded.

When Forward All is initiated from an IP phone running SCCP or from an Type-B IP phone running SIP, user input is simultaneously compared to the patterns allowed in the configured Forward All calling search space(s). If an invalid destination pattern is configured, the user will be presented with reorder tone. When Forward All is invoked from an Type-A IP phone running SIP, Forward All user input is stored locally on the phone and is not verified against any calling search space in Unified CM. If user input corresponds to an invalid destination, no notification is offered to the user. Calls made to that phone will be presented with reorder tone as the phone tries to initiate a SIP re-route action to an invalid destination number.

Other Call Forward Types

The calling search spaces configured for the various other types of call forward (Forward Busy, Forward No Answer, Forward No Coverage, forward on CTI failure, and Forward Unregistered) are standalone values not concatenated with any other calling search space.

Call Forward settings (except Forward All) can be configured separately for internal or external call types. For example, a user might want to have their phone Call Forward No Answer to voicemail for external callers but forward to a cell phone number if the caller is a co-worker calling from another IP phone on the network. This is possible by using different configurations for the Internal and External Call Forward settings.

When the Forward All calling search space is left as <None>, the results are difficult to predict and depend on the Unified CM release. Therefore, Cisco recommends the following best practices when configuring call-forward calling search spaces:

- Always provision the call-forward calling search spaces with a value other than <None>. This practice avoids confusion and facilitates troubleshooting because it enables the network administrator to know exactly which calling search space is being used for forwarded calls.
- Configure the Call Forward Busy and Call Forward No Answer calling search spaces with values that allow them to reach the DN's for the voicemail pilot and voicemail ports but not external PSTN numbers.
- Configure both the Call Forward All calling search space and the Secondary Calling Search Space for Forward All, according to your company's policy. Many companies choose to restrict forwarded calls to internal numbers only, to prevent users from forwarding their IP phone lines to a long-distance number and dialing their local IP phone number from the PSTN to bypass long-distance toll charges on personal calls.

The Call Forward Unregistered (CFUR) feature is a way to reroute calls placed to a temporarily unregistered destination phone. The configuration of CFUR consists of two main elements:

- Destination selection

When the DN is unregistered, calls can be rerouted to either of the following destinations:

- Voicemail

Calls can be sent to voicemail by selecting the voicemail checkbox and configuring the CFUR calling search space to contain the partition of the voicemail pilot number.

- A directory number used to reach the phone through the PSTN

This approach is preferred when a phone is located within a site whose WAN link is down. If the site is equipped with Survivable Remote Site Telephony (SRST), the phone (and its co-located PSTN gateway) will re-register with the co-located SRST router. The phone is then able to receive calls placed to its PSTN DID number.

In this case, the appropriate CFUR destination is the corresponding PSTN DID number of the original destination DN. Configure this PSTN DID in the destination field, preferably in E.164 format, including the + sign (for example, +1 415 555 1234). This allows the CFUR destination to be processed by the calling phone's local route group, whether or not it uses the same off-net access code and PSTN prefixes as the unregistered phone.

- Calling search space

Unified CM attempts to route the call to the configured destination number by using the called DN's CFUR calling search space. The CFUR calling search space is configured on the target phone and is used by all devices calling the unregistered phone. This means that all calling devices will use the same combination of route pattern, route list, and route group to place the call. Cisco recommends

that you configure the CFUR calling search space to route calls to the CFUR destination using patterns pointing to route lists referencing the Standard Local Route Group. This will ensure that the egress gateway to the PSTN is chosen based on the calling device.

The Call Forward Unregistered functionality can result in telephony routing loops if a phone is unregistered while the gateway associated with the phone's DID number is still under control of Unified CM, as is the case if a phone is simply disconnected from the network. In such a case, the initial call to the phone would prompt the system to attempt a first CFUR call to the phone's DID through the PSTN. The resulting incoming PSTN call would in turn trigger another CFUR attempt to reach the same phone's DN, triggering yet another CFUR call from the central PSTN gateway through the PSTN. This cycle could repeat itself until system resources are exhausted.

The service parameter `MaximumForwardUnRegisteredHopsToDn` controls the maximum number of CFUR calls that are allowed for a DN at the same time. The default value of 0 means the counter is disabled. If any DNs are configured to reroute CFUR calls through the PSTN, loop prevention is required. Configuring this service parameter to a value of 1 would stop CFUR attempts as soon as a single call is placed through the CFUR mechanism. This setting would also allow only one call to be forwarded to voicemail, if CFUR is so configured. Configuring this service parameter to a value of 2 would allow for up to two simultaneous callers to reach the voicemail of a DN whose CFUR setting is configured for voicemail, while also limiting potential loops to two for DNs whose CFUR configuration sends calls through the PSTN.

**Note**

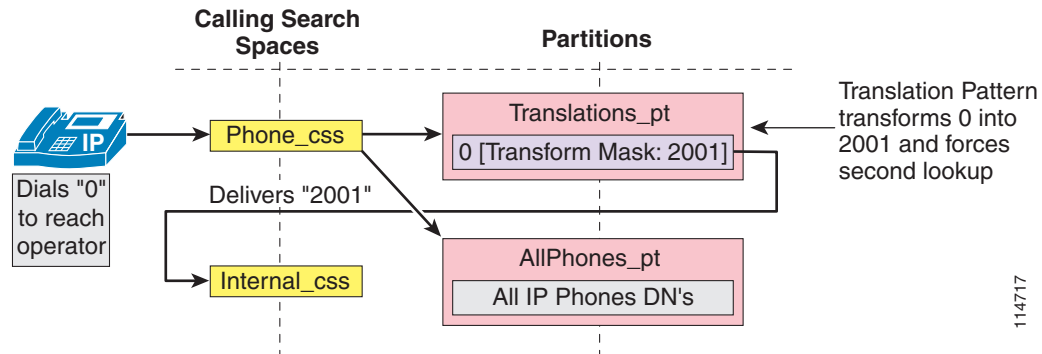
Extension Mobility DNs should not be configured to send Call Forward Unregistered calls to the PSTN DID associated with the DN. The DNs of Extension Mobility profiles in the logged-out state are deemed to be unregistered, therefore any calls to the PSTN DID number of a logged-out DN would trigger a routing loop. To ensure that calls made to Extension Mobility DNs in the logged-out state are sent to voicemail, ensure that their corresponding Call Forward Unregistered parameters are configured to send calls to voicemail.

Translation Patterns

Translation patterns are one of the most powerful tools in Unified CM to manipulate digits for any type of call. They follow the same general rules and use the same wildcards as route patterns. As with route patterns, you assign a translation pattern to a partition. However, when the dialed digits match the translation pattern, Unified CM does not route the call to an outside entity such as a gateway; instead, it performs the translation first and then routes the call again, this time using the calling search space configured within the translation pattern.

Translation patterns can be used for a variety of applications, as shown by the example in [Figure 9-48](#).

Figure 9-48 Application Example for Translation Patterns



In this example, the administrator wishes to provide users with an operator service that is reached by dialing 0, while also maintaining a fixed-length internal numbering plan. The IP phones are configured with the Phone_css calling search space, which contains the Translations_pt partition (among others). A translation pattern 0 is defined in this partition, and the configured Called Party Transform Mask instructs Unified CM to replace the dialed string (0) with the new string 2001, which corresponds to the DN of the operator phone. A second lookup (of 2001 this time) is forced through the call routing engine, using the Internal_css calling search space, and the call can now be extended to the real operator DN of 2001, which resides in the AllIPPhones_pt partition.

**Note**

When a dialed number is manipulated using a translation pattern, the translated number is recorded in the call detail record (CDR). However, when the digit manipulation occurs within a route list, the CDR will show the originally dialed number, not the translated one. The Placed Calls directory on the IP phone always shows the string as it was dialed by the user.

Automated Alternate Routing

The automated alternate routing (AAR) feature enables Unified CM to establish an alternate path for the voice media when the preferred path between two endpoints within the same cluster runs out of available bandwidth, as determined by the locations mechanism for call admission control.

The AAR feature applies primarily to deployments with sites connected via a WAN. For instance, if a phone in branch A calls a phone in branch B and the available bandwidth for the WAN link between the branches is insufficient (as computed by the Locations mechanism), AAR can reroute the call through the PSTN. The audio path of the call would be IP-based from the calling phone to its local (branch A) PSTN gateway, TDM-based from that gateway through the PSTN to the branch B gateway, and IP-based from the branch B gateway to the destination IP phone.

AAR can be transparent to the users. You can configure AAR so that users dial only the on-net (for example, four-digit) directory number of the called phone and no additional user input is required to reach the destination through the alternate network (such as the PSTN).

**Note**

AAR does not support CTI route points as the origin or the destination of calls. Also, AAR is incompatible with the Extension Mobility feature when users roam across different sites. Refer to [Extension Mobility, page 9-124](#), for more details.

You must provide the following main elements for AAR to function properly:

- [Establish the PSTN Number of the Destination, page 9-118](#)
- [Prefix the Required Access Codes, page 9-118](#)
- [Select the Proper Dial Plan and Route, page 9-120](#)

Establish the PSTN Number of the Destination

The rerouting of calls requires using a destination number that can be routed through the alternate network (for example, the PSTN). AAR uses the dialed digits to establish the on-cluster destination of the call and then combines them with the called party's AAR Destination Mask; if it is not configured, the External Phone Number Mask is used instead. The combination of the dialed digits and the applicable mask must yield a fully qualified number that can be routed by the alternate network.

Alternatively, by selecting the voicemail checkbox in the AAR configuration, you can allow calls to be directed to the voicemail pilot number. This choice does not rely on the numbers originally dialed by the caller, but routes the call according to the voicemail profile configuration.



Note

By default, the directory number configuration retains the AAR leg of the call in the call history, which ensures that the AAR forward to the voice messaging system will select the proper voice mailbox. If you choose "Remove this destination from the call forwarding history," the AAR leg of the call is not present in the call history, which would prevent the automated voice mailbox selection and would offer the caller the generic voicemail greeting.

The AAR Destination Mask is used to allow the destination phone number to be determined independently of the External Phone Number mask. For example, if Caller ID policy for a company required a phone's external phone number mask to be the main directory number of an office (such as 415 555 1000), the AAR destination mask could be set to +1 415 555 1234, to provide AAR with the phone's specific PSTN number.

For example, assume phone A in San Francisco (DN = 2345) dials an on-net DN (1234) configured on phone B located in New York. If locations-based call admission control denies the call, AAR retrieves the AAR Destination Mask of the New York phone (+1212555XXXX) and uses it to derive a number (+12125551234) that can be used to route the call on the PSTN.

It is best to configure the AAR destination mask to yield a fully qualified E.164 number, including the + sign, because this will greatly simplify the overall configuration of AAR. For example, a phone in Paris is configured with an AAR destination mask of +33 1 58 04 58 58. Because this number is a fully qualified E.164 number, it contains all the information required for the Cisco Unified Communications system to derive a routable PSTN number as required by the calling phone's gateway to the PSTN, regardless of whether it is located in France, in Canada, or anywhere else in the world. The following sections elaborate on this approach.

Prefix the Required Access Codes

If the AAR Destination Yields a Fully Qualified E.164 Number Including the + Sign

This is the simplest case; the AAR destination contains + as a wildcard to be replaced by the appropriate access codes require at each gateway. The destination number is ready to be routed to an appropriate route pattern and then transformed at the point of egress to the PSTN by the appropriate called party transformation patterns.

Example 1: A phone in Ottawa, Canada calls a phone in Paris, which triggers AAR due to a lack of bandwidth on the WAN. The AAR destination is +33 1 58 04 58 58. The AAR calling search space of the calling phone contains a route pattern \+!, which routes the call to the Standard Local Route Group. The call is routed to the local gateway in Ottawa, where called party transformation patterns will replace the + with the applicable international access code 011. The resulting call is placed to 011 33 1 58 04 58 58.

Example 2: A phone in Nice, France calls a phone in Paris, which triggers AAR due to a lack of bandwidth on the WAN. The AAR destination is +33 1 58 04 58 58. The AAR calling search space of the calling phone contains a route pattern \+!, which routes the call to the Standard Local Route Group. The call is routed to the local gateway in Nice, where called party transformation patterns will replace the + 33 with the applicable national access code 0. The resulting call is placed to 01 58 04 58 58.

If the AAR Destination Mask Yields a Number Including the Country Code

The destination number (assumed to include the country code) might require a prefix to be routed properly by the origination branch's dial plan. Furthermore, if the point of origin is located in a different area code or even a different country, then other prefixes such as international dialing access codes (for example, 00 or 011) might be required as part of the dialed string.

When configuring AAR, you place the DNs in AAR groups. For each pair of AAR groups, you can then configure prefix digits to add to the DNs for calls between the two groups, including prefix digits for calls originating and terminating within the same AAR group.

As a general rule, place DNs in the same AAR group if they share the same inter-country dialing structure. For example, all phones in the UK dial numbers outside the UK with 9 as a PSTN access code, followed by 00 for international access; all phones in France and Belgium use 0 as a PSTN access code, followed by 00 for international access; all phones in the NANP use 9 as a PSTN access code, followed by 011 for international access.

This yields the following AAR group configuration:

AAR Group	NANP	Cent_EU	UK
NANP	9	9011	9011
Cent_EU	000	000	000
UK	900	900	9

Example 3: A phone in Ottawa, Canada calls a phone in Paris, which triggers AAR due to a lack of bandwidth on the WAN. The AAR destination is 33 1 58 04 58 58. The AAR group of the calling phone is NANP and that of the destination phone is Cent-EU, thus yielding a prefix of 9011. The AAR calling search space of the calling phone contains a site-specific route pattern 9011!, which routes the call to a route list in Ottawa, stripping the 9. The call is routed to the local gateway in Ottawa. The resulting call is placed to 011 33 1 58 04 58 58.

Example 4: A phone in Brussels, Belgium calls a phone in Paris, which triggers AAR due to a lack of bandwidth on the WAN. The AAR destination is 33 1 58 04 58 58. The AAR group of the calling phone and that of the destination phone is Cent-EU, thus yielding a prefix of 000. The AAR calling search space of the calling phone contains a site-specific route pattern 000!, which routes the call to a route list in Brussels, stripping the leading 0. The call is routed to the local gateway in Brussels. The resulting call is placed to 00 33 1 58 04 58 58.

Voicemail Considerations

AAR can direct calls to voicemail. The voicemail pilot number is usually dialed without the need for an off-net access code (if the voicemail pilot number is a fully qualified on-net number, such as 8 555 1000). When AAR is configured to send calls to voicemail, the AAR group mechanism will still prefix the configured access code(s). This configuration requires the creation of an AAR group to be used by all DNs whose desired AAR destination is voicemail (for example, vmail_aar_grp). Ensure that the configuration for this voicemail AAR group uses no prefix numbers when receiving calls from other AAR group DNs.

For example: Assume that DNs located in sites San Francisco and New York are configured with AAR group NANP, which prefixes 9 to calls made between any two DNs in the group. If a DN in San Francisco is configured to send AAR calls to voicemail (for example, 8 555 1000), a call would be placed to 985551000, which would result in a failed call. Instead, the San Francisco DN should be configured with AAR group vmail. The prefix digits for calls from AAR group NANP to AAR group vmail are <none>, as shown in the following table. The call will be placed successfully to 85551000.

AAR Group	NANP	Cent_EU	UK	vmail
NANP	9	9011	9011	<none>
Cent_EU	000	000	000	<none>
UK	900	900	9	<none>



Note

When Device Mobility is not used, the AAR group configuration of a DN remains the same even as the device is moved to different parts of the network. With Device Mobility, the AAR group can be determined dynamically based on where in the network the phone is physically located, as determined by the phone's IP address. See [Device Mobility, page 9-122](#), for more details.

Select the Proper Dial Plan and Route

AAR calls should egress through a gateway within the same location as the calling phone, thus causing the completed dial string to be sent through the origination site's dial plan. To ensure that this is the case, select the appropriate AAR calling search space on the device configuration page in Unified CM Administration. Configure the off-net dial plan entries (for example, route patterns) in the AAR calling search space to point to co-located gateways and to remove the access code before presenting the call to the PSTN.

For example, phones at the San Francisco site can be configured with an AAR calling search space that permits long distance calls dialed as 91-NPA-NXX-XXXX but that delivers them to the San Francisco gateway with the access code (9) stripped.

The AAR calling search space configuration can be greatly simplified if the local route group is used in conjunction with using a fully qualified E.164 address (including the + sign) as the AAR destination mask. A single calling search space configured with a single partition, containing a single route pattern \+!, pointing to a single route list featuring the Standard Local Route Group, can be used to route the calls of all phones at all sites in an entire cluster. This relies on the pre-configuration of the appropriate gateway-specific called party transformation patterns to adapt the universal form of the destination number to the localized form required by the service provider networks to which the call is delivered at each site.

**Note**

If you have configured additional route patterns to force on-net internal calls dialed as PSTN calls, ensure that these patterns are not matched by the AAR feature. Refer to [Design Guidelines for Multisite Deployments, page 9-35](#), for more details.

**Note**

To avoid denial of re-routed calls due to call admission control, AAR functionality requires the use of a LAN as the IP path between each endpoint and its associated gateway to the PSTN. Therefore, AAR dial plans cannot rely on centralized gateways for PSTN access.

**Note**

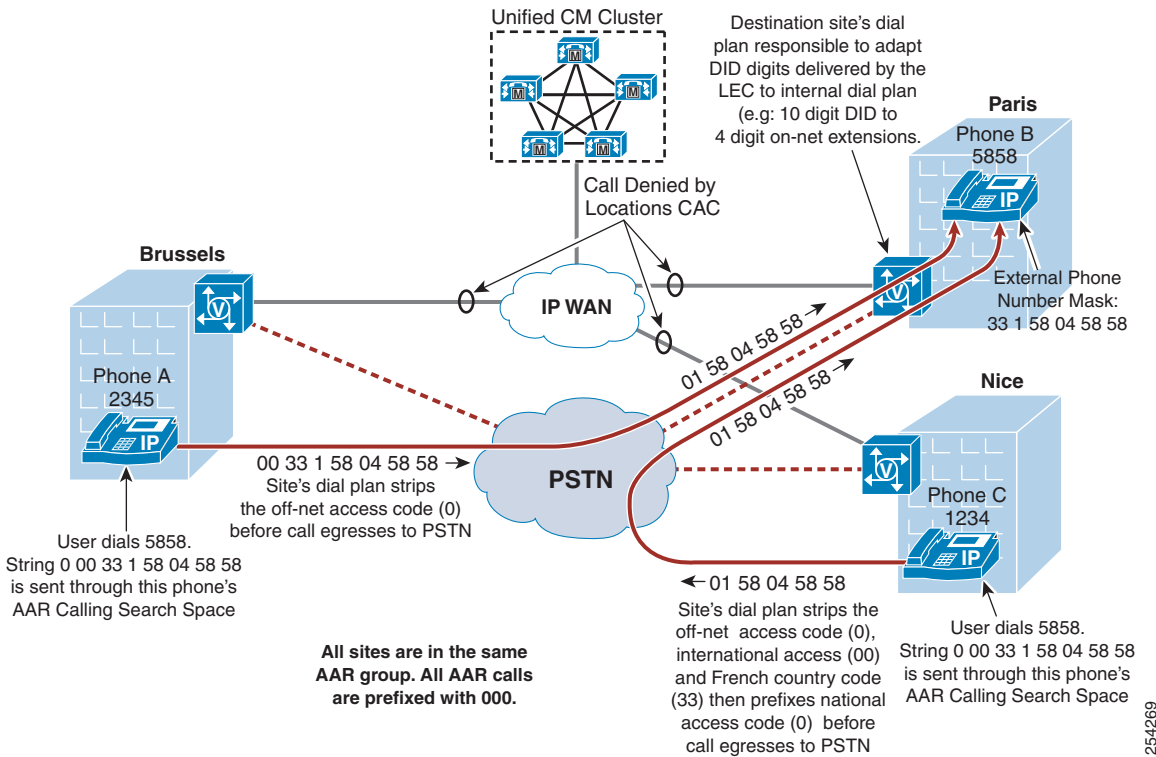
When Device Mobility is configured, the AAR calling search space can be determined dynamically based on where in the network the phone is physically located, as determined by the phone's IP address. See [Device Mobility, page 9-122](#), for more details.

Special Considerations for Sites Located Within the Same Local Dialing Area

In some instances, the AAR dial string might have to be modified locally to allow for dialing between sites whose phones belong to the same AAR group. For example, assume two separate sites located in France share the same country code of 33. (See [Figure 9-49](#).) In this case, a number dialed as 0 00 33 1 58 04 58 58 would have to be transformed to 01 58 04 58 58. Note that this is required only if the AAR configuration does not rely on called party transformation patterns.

This transformation is best done with a site-specific translation pattern of 00033.[1-6]XXXXXXXXX to strip the pre-dot digits and prepend 0. This translation pattern should be placed in a member partition of the AAR calling search space for the French sites only; the Belgian site still needs to reach this same destination as 0 00 33 1 58 04 58 58.

Figure 9-49 Dialed Number Transformations for AAR Calls Between Sites



Note

The AAR functionality is not triggered upon detection that the destination phone is unreachable. Therefore, WAN failures do not trigger AAR functionality.

In order to understand this better, consider an example where a Unified CM cluster has a site in London (United Kingdom), one in Paris (France), and one in Nice (France). The E.164 address of the DID range in Paris is +33145678XXX, but these extensions are usually reached as 0145678XXX when calling from within the French PSTN. When somebody in the London office wishes to dial the Paris office via the PSTN, the dialed string is 90033145678XXX. However, when somebody in the Nice office wishes to dial the Paris office via the PSTN, the dialed string is 00145678XXX.

To allow all three cases above with a single, simple AAR configuration, it is best to configure the AAR Destination Mask with the E.164 notation (including the + sign); this creates a destination number which can be interpreted by the system differently for each calling phone.

Device Mobility

Device Mobility offers functionality designed to enhance the mobility of devices within an IP network. (For example, a phone initially configured for use in San Francisco is physically moved to New York.) Although the device still registers with the same Unified CM cluster, it now will adapt some of its behavior based on the new site where it is located. Those changes are triggered by the IP subnet in which the phone is located.

When roaming, a phone will inherit the parameters associated with the device pool associated with the device's current subnet. From a dial-plan perspective, the functionality of the following five main configuration parameters can be modified due to the physical location of the phone. For these parameters to be modified, the device must be deemed as roaming outside its home physical location but within its home device mobility group.

- Local route group

the roaming device pool's Local Route Group is used. For example, if a device is roaming from San Francisco to New York, the local route group of the New York device pool is used to route calls to the PSTN whenever a pattern points to a route list invoking the Standard Local Route Group.

- Calling party transformation CSS

The roaming device pool's calling party transformation CSS is used. This allows a phone to inherit the calling party presentation mode that is customary for the phones of the visited location.

- Device calling search space

The roaming device pool's Device Mobility calling search space is used instead of the device calling search space configured on the device's configuration page. For example, if a device is roaming from San Francisco to New York, the Device Mobility calling search space of the New York device pool is used as the roaming phone's device calling search space. If you use the line/device approach to classes of service, this approach will establish the path taken for PSTN calls, routing them to the local New York gateway.

- AAR calling search space

The roaming device pool's AAR calling search space is used instead of the AAR calling search space configured on the device's configuration page. For example, if a device is roaming from San Francisco to New York, the AAR calling search space of the New York device pool is used as the roaming phone's AAR calling search space. This calling search space will establish the path taken for outgoing AAR PSTN calls, routing them to the local New York gateway.

- DN's AAR group

For incoming AAR calls, the AAR group assigned to a DN is retained, whether or not the DN's host phone is roaming. This ensures that the reachability characteristics established for the AAR destination number are retained.

For outgoing AAR calls, the calling DN's AAR group uses the roaming device pool's AAR group instead of the AAR group selected on the DN's configuration page. Note that this AAR group will be applied to all DNs on the roaming device. For example, all DNs on a device roaming from New York to Paris (assuming both locations are in the same Device Mobility group) would inherit the AAR group configured for outgoing calls in the Paris device pool. This AAR group would be applied to all DNs on the roaming device and would allow for the appropriate prepending of prefix digits to AAR calls made from DNs on the roaming phone.

Call Forward All When Roaming

When a device is roaming in the same device mobility group, Unified CM uses the Device Mobility CSS to reach the local gateway. If a user sets Call Forward All at the phone, if the CFA CSS is set to None, and if the CFA CSS Activation Policy is set to With Activating Device/Line CSS, then:

- The Device CSS and Line CSS get used as the CFA CSS when the device is in its home location.
- If the device is roaming within the same device mobility group, the Device Mobility CSS from the Roaming Device Pool and the Line CSS get used as the CFA CSS.
- If the device is roaming within a different device mobility group, the Device CSS and Line CSS get used as the CFA CSS.

The section on [Device Mobility](#), page 25-14, explains the details of this feature.

Extension Mobility

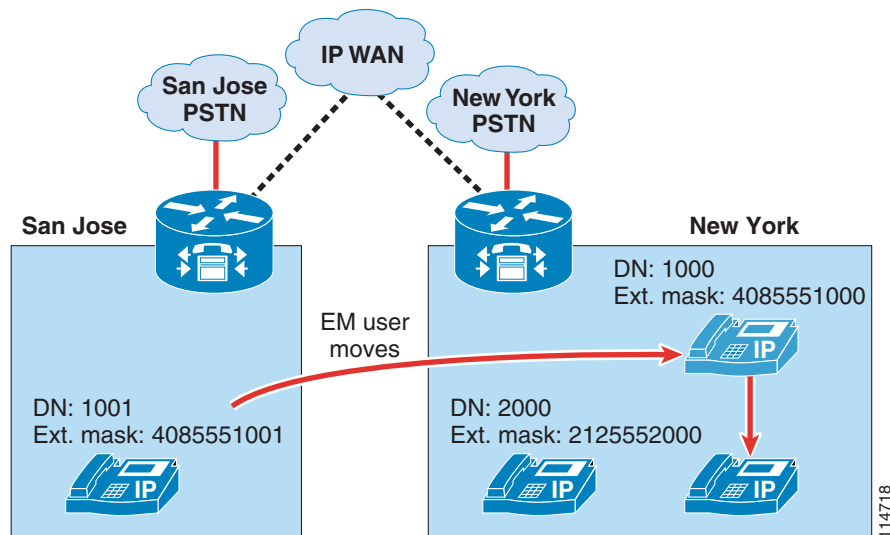
The Extension Mobility feature enables a user to log in to an IP phone and automatically apply his or her profile to that phone, including extension number, speed dials, message waiting indicator (MWI) status, and calling privileges. This mechanism relies on the creation of a device profile associated with each Extension Mobility user. The device profile is effectively a virtual IP phone on which you can configure one or more lines and define calling privileges, speed dials, and so on.

When an IP phone is in the logged-out state, (that is, no Extension Mobility user has logged into it), the phone characteristics are determined by the device configuration page and the line configuration page(s). When a user logs in to an IP phone, the device configuration does not change, but the existing line configuration is saved in the Unified CM database and is replaced by the line configuration of the user's device profile.

One of the key benefits of Extension Mobility is that users can be reached at their own extensions regardless of where they are located, provided that they can log in to an IP phone controlled by the same Unified CM cluster. When Extension Mobility is applied to multisite deployments with centralized call processing, this capability is extended to multiple sites geographically separated from each other.

However, if you combine the Extension Mobility feature with the AAR feature described in the section on [Automated Alternate Routing](#), page 9-117, some limitations exist. Consider the example shown in [Figure 9-50](#), where Extension Mobility and AAR are deployed in a centralized call processing Unified CM cluster with one site in San Jose and one in New York.

Figure 9-50 Extension Mobility and AAR



In this example, assume that an Extension Mobility user who is normally based in San Jose has a DN of 1000 and a DID number of (408) 555-1000. That user's external phone number mask (or AAR mask, if used) is therefore configured as 4085551000. The user now moves to the New York site and logs in. Also, assume that the IP WAN bandwidth between San Jose and New York has been entirely utilized.

When the user in San Jose with extension 1001 tries to call 1000, AAR is triggered and, based on the AAR calling search space of the calling party and the AAR groups of both parties, a new call to 914085551000 is attempted by the San Jose phone. This call uses the San Jose gateway to access the

PSTN, but because the DID (408) 555-1000 is owned by that same gateway, the PSTN sends the call back to it. The San Jose gateway tries to complete the call to the phone with extension 1000, which is now in New York. Because no bandwidth is available to New York, the AAR feature is invoked again, and one of the following two scenarios will occur:

- If the gateway's AAR calling search space contains external PSTN route patterns, this is the beginning of a loop that eventually uses all the PSTN trunks at the San Jose site.
- If, on the other hand, the gateway's AAR calling search space contains only internal numbers, the call fails and the caller hears a fast-busy tone. In this case, one PSTN call is placed and one is received, so two PSTN trunks are utilized on the San Jose gateway for the duration of the call setup.

**Tip**

To prevent routing loops such as the one described here, always configure all calling search spaces on the gateway configuration pages to include only internal destinations and no route patterns pointing to route lists or route groups containing that same gateway.

This example highlights the fact that Extension Mobility leverages the dynamic aspect of Cisco IP Communications and, therefore, requires that the call routing between sites use the IP network. Because the E.164 numbers defined in the PSTN are static and the PSTN network is unaware of the movements of the Extension Mobility users, the AAR feature, which relies on the PSTN for call routing, cannot be used to reach Extension Mobility users who move to a site other than their home site.

**Note**

However, if the Extension Mobility user moves to a remote site that belongs to the same AAR group as his or her home site, he or she can use the AAR feature to place calls to other sites when the available IP WAN bandwidth is not sufficient. This is because the path of such a call is determined by the AAR calling search space of the phone from which the call originates. This AAR calling search space does not change when users log in or out of Extension Mobility, and it should be configured to use the visited remote site's gateway.

**Tip**

Configure unregistered Extension Mobility profile DN's to send calls to voicemail. See [Call-Forward Calling Search Spaces, page 9-113](#), for details.

Special Considerations for Cisco Unified Mobility

Cisco Unified Mobility (see the section on [Cisco Unified Mobility, page 25-32](#)) relies on functionality that has a direct impact on call routing. To understand the effects of the Cisco Unified Mobility parameters related to dial plans, consider the following example:

**Note**

Only those parameters required in the discussion are mentioned here.

User Paul has an IP phone configured as follows:

DN: 8 555 1234

DID number: +1 408 555 1234

External Phone Number Mask: 408 555 1234

Line Calling Search Space: P_L_CSS

Device Calling Search Space: P_D_CSS

Paul's DN is associated with a Remote Destination Profile configured as follows:

Calling Search Space: P_RDP_CSS

Rerouting Calling Search Space: P_RDP_Rerouting_CSS

Calling Party Transformation CSS: P_CPT_CSS

Paul's RDP is associated with a Remote Destination configured as follows:

Destination Number: +1 514 000 9876 (This is Paul's mobile phone number, on either a single-mode or dual-mode phone.)

Calls from the PSTN placed to Paul or Ringo's DID number are handled by a gateway configured as follows:

Calling Search Space: GW_CSS

Significant digits: 7

Prefix DN: 8

User Ringo has an IP phone configured as follows:

DN: 8 555 0001

DID number: 408 555 0001

External Phone Number Mask: 408 555 0000 (This is the enterprise's main business number.)

Line Calling Search Space: R_L_CSS

Device Calling Search Space: R_D_CSS

The following sections explain the effects of the above mobility parameters on call routing.

Remote Destination Profile

Remote destination profiles (RDPs) are associated with directory numbers (for example, the DN of a user's IP phone) and with remote destinations (for example, the mobile phone number of a user). The RDP controls the interaction between the IP phone and the external numbers (for example, a mobile phone) configured as remote destinations.



Note

Remote destinations cannot be configured with on-cluster DNs as destination numbers.

Remote Destination Profile's Rerouting Calling Search Space

When a call is placed to a DN associated with a remote destination profile, the call has the effect of ringing both the DN and the number(s) configured as remote destination(s).

The ability of the caller to reach the destination IP phone is controlled by the caller's Calling Search Space settings. However, the ability for the call to be forked toward the remote destination (for example, a mobile phone) is controlled by the called mobility user's Rerouting Calling Search Space.

For example:

Ringo calls Paul from his IP phone by dialing 8 555 1234. Paul's IP phone rings, as well as his mobile phone.

Here, the ability for Ringo to reach Paul's DN is controlled by the Line and Device calling search spaces on Ringo's IP phone. The dialed destination (8 555 1234) must be in a partition found in the concatenated calling search spaces R_L_CSS and R_D_CSS.

For this same call to be forked to ring Paul's mobile phone, the configured remote destination (+1 514 000 9876) must match a pattern found in the calling search space P_RDP_Rerouting_CSS.

**Note**

Even if the dialing privileges assigned to Ringo's phone do not allow for external calls, the call to the remote destination is handled by the rerouting calling search space associated with Paul's remote destination profile.

Remote Destination Profile's Calling Search Space

In Cisco Unified CM 6.0, the RDP's calling search space is used to route calls originating from numbers defined as remote destinations. It is concatenated with the associated DN's Line CSS. The order of concatenation is Line CSS followed by the RDP's CSS.

When the calling party number of an external call made into the cluster matches a number defined as a remote destination, the calling party number is replaced with the DN of the line associated with the matching remote destination. Also, the calling search space used to route the call is the concatenation of:

- The Line calling search space of the DN associated with the matched remote destination number
- The calling search space of the RDP associated with the matched remote destination

In Unified CM 6.1 and later releases, a new service parameter (Inbound Calling Search Space for Remote Destination) controls which calling search space is used to route calls originating from one of the cluster's remote destinations. Its default setting is Trunk or Gateway Inbound Calling Search Space, which routes all incoming calls using the trunk's or gateway's configured CSS. If the service parameter is set to Remote Destination Profile + Line Calling Search Space, then the behavior is identical for all Unified CM 6.x releases. This new service parameter has no effect on the calling party number replacement.

**Note**

The default behavior of Unified CM 6.1 and later releases is different than the behavior of Unified CM 6.0 with regard to the routing of incoming calls originating from numbers defined as remote destinations. Cisco recommends using the default setting of Unified CM 6.1 because it simplifies call routing.

All the numbers defined as remote destinations within the same cluster will be searched to find a match for any external call coming into the cluster.

The following examples assume Unified CM 6.1 and later releases with the service parameter Inbound Calling Search Space for Remote Destination set to Trunk or Gateway Inbound Calling Search Space.

For example:

Paul uses his mobile phone to call Ringo at his desk. The call comes into the gateway from the PSTN, with a calling party number of 514 000 9876 and a called party number of 408 555 0001. The call is routed to Ringo's phone. The number displayed as the calling party number on Ringo's phone is Paul's desk phone number, 8 555 1234. This allows Paul's mobile phone number to remain confidential and allows Ringo's calls placed from the missed and received calls lists to ring into Paul's IP phone, thus making the full set of enterprise mobility features available.

When the call comes into the gateway, the PSTN offers a calling party number of 514 000 9876 and a called party of 408 555 0001. The gateway's configuration will retain the last seven significant digits of the called number and prefix 8, yielding 8 555 0001 as the destination number.

The system detects that the calling party number matches Paul's remote destination number. Upon detecting this match, the system will:

1. Change the calling party number to Paul's DN, 8 555 1234.

2. Route the call to the called number using the incoming gateway's calling search space. Specifically, the routing is done through the GW_CSS calling search space.

The destination (called) number presented by the gateway should be the DN of the phone, and the calling party substitution illustrated in step 1 above renders possible the use of one-touch dialing from the missed/received calls lists.

**Note**

There is no way to partition remote destination numbers. This is worth noting in case multiple user groups (such as different companies, sub-contractors, and so forth) are using the same cluster. In Unified CM 6.1 and later releases, when the service parameter Inbound Calling Search Space for Remote Destination is set to Trunk or Gateway Inbound Calling Search Space, the call routing is based on the incoming trunk's or gateway's CSS, regardless of whether or not the calling number matches a remote destination. However, the calling party number substitution still occurs if the calling party matches any remote destination. This means that calls from one tenant's remote destination numbers to another tenant's DID numbers will be presented with a transformed calling party number that matches the caller's on-net extension DN.

**Note**

Any incoming external call where Calling Party Number is not available will be routed according to the incoming gateway's CSS. This also applies to incoming calls from IP trunks, such as SIP or H.323 trunks.

Remote Destination Profile's Calling Party Transformation CSS and Transformation Patterns

Calls originating from an enterprise IP phone to a mobility-enabled DN are forked to both the enterprise destination IP phone's DN and one (or multiple) external destinations. One challenge this creates is to deliver calling party numbers adapted to each destination phone's dial plan. This is to allow for redialing of calls from missed calls and received calls lists. For an enterprise phone, the calling party numbers should be redialable enterprise phone numbers. For a remote destination on the PSTN (such as a home phone or a mobile phone), the calling party number should be transformed from the enterprise number associated with the calling IP phone to a number redialable from the PSTN (generally, the DID number of the calling phone).

When a call is placed to a mobility-enabled enterprise DN, the associated remote destination profile's calling party transformation calling search space is used to find a match to the caller's calling party number. It contains partitions which themselves contain transformation patterns.

Transformation patterns control the adaptation of calling party numbers from enterprise format to PSTN format. They differ from all other patterns in Unified CM in that they match on the calling number, not the called number. The matching process is done through a regular expression (for example, 8 555 XXXX), and the transformation process allows for the optional use of the calling DN's external phone number mask as well as transformation patterns and digit prefixing.

Once matched, they perform all configured transformations, and the resulting calling party number is used to reach all remote destinations associated with the Remote Destination Profile for which the match occurred.

For example:

When Ringo calls Paul, we want Paul's IP phone to display the calling party number as 8 555 0001 and Paul's mobile phone to display 408 555 0001.

For this case, we create a transformation pattern with the following parameters:

Pattern: 8 555 XXXX

Partition: SJ_Calling_Transform

Use calling party's external phone number mask: un-checked

Calling Party Transformation mask: 555 XXXX

Prefix Digits (outgoing calls): 408

We also have to ensure that partition SJ_Calling_Transform is placed in calling search space P_CPT_CSS.

When the call from Ringo is anchored on Paul's phone, two separate call legs are attempted. The first rings Paul's IP phone and offers the caller's DN as Calling Party Number (that is, 8 555 0001). The second call leg is attempted through Paul's Remote Destination Profile. The RDP's calling party transformation CSS, P_CPT_CSS, is used to find a match for 8 555 0001 in all the referenced partition's transformation patterns. Pattern 8 555 XXXX is matched in partition SJ_Calling_Transform. The transformation mask is applied to the calling party number and yields 555 0001. The prefix digits are added, and the resulting calling party number 408 555 0001 is used when placing the call to the remote destinations.

Note that, in this example, we chose not to use the external phone number mask because it is set to a number different than that of Ringo's DID. This offers flexibility in situations where the calling party number offered to off-net destinations is required to be different based on the relationship of the caller to the called party. The call from Ringo to Paul is between co-workers, thus the disclosure of Ringo's DID number is deemed acceptable. Ringo's next call could be to a customer, in which case the main enterprise number 408 555 0000 is the desired Calling Party Number to be offered to the destination.



Note

Calling Party Transformation calling search spaces do not implicitly include the <none> partition; therefore, transformation patterns left in the <none> partition do not apply to any Calling Party Transformation calling search space. This is different from all other patterns in Unified CM, where all patterns left in the <none> partition are implicitly part of every calling search space.

Application Dial Rules

Numbers defined as remote destinations are also used to identify and anchor incoming calls as enterprise mobility calls. Often, the form in which the PSTN identifies calls differs from the form in which an enterprise dial plan requires that calls to external numbers be dialed. Application dial rules can be used to adapt the form in which remote destinations are configured to the form required when forking a call to the remote destination. They allow for the removal from, and prefixing of digits to, the numbers configured as remote destinations.

For example:

Assume the number 514 000 9876 is configured as Paul's remote destination number. This corresponds to the form used by the PSTN to identify calls coming into the enterprise. But it differs from the form used by the enterprise dial plan for outgoing calls, which requires that 91 be prefixed. In this case, we need to create an application dial rule to adapt the remote destination form to the enterprise dial plan's form:

Application Dial Rule:

Name: 514000_ten

Description: Used to prefix 91 to ten-digit numbers beginning with 514000

Number begins with: 514000

Number of Digits: 10

Total digits to be removed: 0

Prefix with Pattern: 91

In this example, calls made from Paul's mobile phone into the enterprise are identified as coming from 514 000 9876. This matches the form in which his number is configured as a remote destination, thus allowing the match to be made and triggering the anchoring of the call on Paul's desk phone as well as adapting the Calling Party Number offered to the on-net destination. (For example, when a call is placed to Ringo's DID number, he sees the call as coming from 8 555 1234.)

When a call is placed to Paul's enterprise DN number, the call leg forked to his remote destination number will be processed by the application dial rule above. The string 514 000 matches the beginning of Paul's remote destination number, and it is ten digits long, so no digits are removed and 91 is prefixed. This yields 91 514 000 9876 as a number to be routed through Paul's Remote Destination Profile calling search space (P_RDP_CSS in this case).

**Note**

This approach offers the ability to reuse calling search spaces already defined to route calls made from IP phones. Creating new calling search spaces not requiring prefixes for outbound calls (that is, ones able to route calls to 514 000 9876 directly) is less preferable because it can create situations where external patterns overlap with on-net patterns.

Immediate Divert (iDivert)

The Immediate Divert (iDivert) function is used to send calls directly to voicemail. It can be invoked when the call is ringing (incoming), when a call is on hold, or when a call is connected. The iDivert function allows incoming calls to be diverted to either the invoking phone's voicemail box or the voicemail box of the originally called party. The enhanced functionality is applicable only to diverted calls such as forwarded calls or calls redirected by an application.

iDivert Enhancements in Cisco Unified CM 5.1

The iDivert function has been augmented in Cisco Unified CM 5.1 to allow incoming calls to be diverted to either the invoking phone's voicemail box (legacy behavior) or the voicemail box of the originally called party (enhanced behavior). The enhanced functionality is applicable only to diverted calls such as forwarded calls or calls redirected by an application.

For example:

Assume that phone A calls phone B, whose calls are forwarded to phone C. As phone C is ringing, the user at phone C activates the iDivert softkey, which offers two choices. The first choice results in the call being sent to the original called party's voicemail (in this case, phone B's voicemail box), while the second choice results in the call being sent to the iDivert invoker's voicemail (in this case, phone C's voicemail box). The same choices are available whether phone C invokes the feature while the call is ringing, connected, or placed on hold.

If a call is handled by Auto Call Pickup, Call Transfer, Call Park, Call Park Reversion, Conference, or a MeetMe Conference prior to the invocation of the iDivert function, the call is no longer considered to be a "diverted" call, and the only iDivert functionality available in this case is the legacy iDivert behavior (that is, sending the call to the invoker's voicemail). For example, assume phone A calls phone B, whose calls are forwarded to phone C, and then phone C transfers the call to phone D. This is *not* a diverted call because the last action applied to the call was the transfer to phone D. If phone D invokes the iDivert function, the call will be sent to phone D's voicemail box.

To enable the full iDivert functionality described above, set the Unified CM service parameter **Use Legacy Immediate Divert** to **False**. When enabled, enhanced iDivert automatically allows the use of the feature over QSIG trunks, thus allowing an invoker's voicemail box to be hosted in a telephony system connected via QSIG.

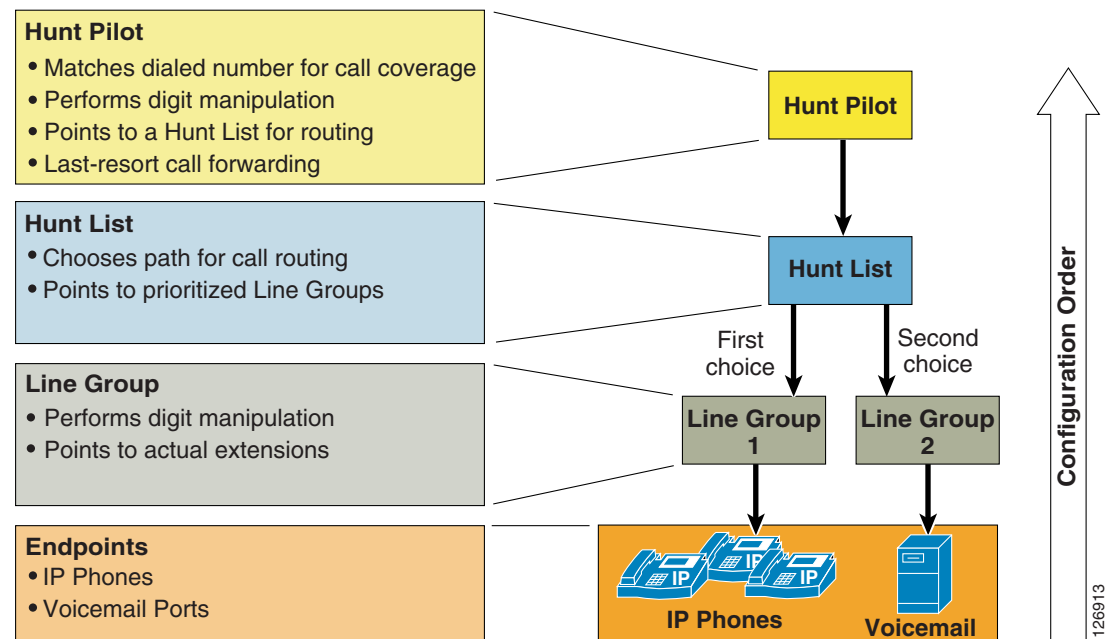
In cases where iDivert is used in a cluster connected to other telephone systems using QSIG, there might be situations in which only the legacy iDivert functionality (where the only available choice is to send the call to the invoker's voicemail) is offered to a phone when receiving a call. For instance, assume phones A and B are in cluster 1, and phone X is another QSIG-connected telephony system. Phone A calls phone X, which is call-forwarded to phone C. After the call is connected to phone C, iDivert will offer both the legacy (invoker's voicemail) and enhanced (original called party's voicemail) destinations only if QSIG path replacement has not occurred. If phone C invokes iDivert after QSIG path replacement, the only destination available is phone C's voicemail box.

Hunt Lists and Line Groups

The *hunt pilot* is typically used for call coverage, or distributing a call through a list of endpoints. For call distribution, you can use a hunt construct. This hunt construct is based upon a three-tiered architecture, similar to that used to route external calls, that allows for multiple layers of call routing as well as digit manipulation.

Unified CM searches for a configured hunt pilot that matches an incoming called number and uses it to select a corresponding hunt list, which is a prioritized list of the available paths for the call. These paths are known as *line groups*. Figure 9-51 depicts the three-tiered architecture of the hunt construct in Unified CM.

Figure 9-51 Three-Tiered Architecture for the Hunt Construct in Unified CM



Hunt Pilot

Hunt pilots are strings of digits and wildcards similar to route patterns, such as 9.[2-9]XXXXXX, configured in Unified CM to route calls to directory numbers. The hunt pilot points directly to a hunt list. Hunt lists point to line groups, which finally point to SCCP endpoints.

Calls can be redirected to a final destination when the hunting fails because of one or both of the following reasons:

- All hunting options have been exhausted and the call still is not answered.
- A time-out period has expired.

This call redirection is configured in the Hunt Forward Settings section of the Hunt Pilot configuration page, and the destination for this redirect can be either of the following options:

- A specific pattern in the internal call routing table of Unified CM
- Personal preferences, which point to the Call Forward No Coverage settings for the originally called number when hunting on behalf of that number fails

For example, you can implement the personal preferences option by configuring a user's phone so that the Forward No Answer field redirects the call to a hunt pilot, in order to search for someone else who can answer the call. If the call hunting fails, either because all the hunting options were exhausted or because a time-out period expired, the call can be sent to a destination personalized for the person who was originally called. For example, if you set the Forward No Coverage field within the person's DN configuration page to the voicemail number, the call will be sent to that person's voicemail box if hunting fails.

The hunt pilot can distribute calls to any of its line group members, even if the members and the hunt pilot reside in different partitions. A call distributed by the hunt pilot overrides all the partitions and calling search space restrictions.

Hunt List

A hunt list is a prioritized list of eligible paths (line groups) for call coverage. Hunt lists have the following characteristics:

- Multiple hunt pilots may point to the same hunt list.
- A hunt list is a prioritized list of line groups that function as alternate sets of phones which are offered a call placed to the hunt pilot number. For example, you can use a hunt list to attempt to find a taker for the call within a set of phones at a particular site. If the call is not taken, then the hunt list attempts to offer the call through a second line group pointing to phones at a second site.
- Hunt lists do not do any digit manipulation.
- Multiple hunt lists can contain the same line group.

Line Group

Line group members are user extension numbers that are controlled by Unified CM. Thus, when the call is being distributed through the line group members, Unified CM is in control of the call. Hunt options can be applied to the call when it is not answered or if the extension is busy or unregistered.

Line groups control the order in which the call is distributed, and they have the following characteristics:

- Line groups point to specific extensions, which are typically IP phone extensions or voicemail ports.
- A single extension may be present in multiple line groups.
- Computer Telephony Integration (CTI) ports and CTI route points cannot be added within a line group. Therefore, calls cannot be distributed to endpoints controlled through CTI applications such as Cisco Customer Response Solution (CRS), IP Interactive Voice Response (IP IVR), and so forth

- Unified CM distributes calls to the devices according to the distribution algorithm assigned. Unified CM supports the following algorithms:
 - Top-down
 - Circular
 - Longest idle time
 - Broadcast
- In the event of No-Answer, Busy, or Not-Available, line groups redirect a call distributed to an extension based on the hunt options. Unified CM supports the following hunt options:
 - Try next member, then try next group in hunt list.
 - Try next member, but do not go to next group.
 - Skip remaining members and go directly to next group.
 - Stop hunting.

Hunt Group Logout

A user can log out of a hunt group by activating the HLog softkey. Once activated, this function effectively makes all lines configured on the phone act as though they are not part of any hunt group. The phone displays "Logged out of Hunt Group." If a line group contains a shared line, all instances of the shared line that are on devices in the logged-out state will not ring; conversely, all instances of the shared line on devices in the logged-in state will ring.

Lines that are not part of any hunt groups will continue to ring normally, no matter the state of the HLog function.

The HLog function can be activated from Unified CM Administration. By default, the HLog softkey is not configured on the softkey templates. Once added to a phone's softkey template, the HLog button appears in the display when the phone is in the connected, off-hook, or on-hook state.

The Hunt Group Logoff Notification service parameter provides the option of audible ring tones when calls that come in from a line group arrive at the phone in the logged-off state. The Hunt Group Logoff Notification service parameter is in the Clusterwide Parameters (Device - Phone) section of the Service Parameters Configuration page. For enabling the function, ensure that a valid ring tone file is present on the TFTP server. If an invalid file name is provided, no tone will be played.

For more information about hunt algorithms and hunt options, refer to the *Cisco Unified Communications Manager Administration Guide*, available at

<http://www.cisco.com>

Line Group Devices

The line group devices are the endpoints accessed by line groups, and they can be of any of the following types:

- Any Skinny Client Control Protocol (SCCP) endpoints, such as Cisco Unified IP Phones
- SIP endpoints
- Voicemail ports (for Cisco Unity)
- H.323 clients
- FXS extensions attached to an MGCP gateway

Time-of-Day Routing

To use this feature, configure the following elements:

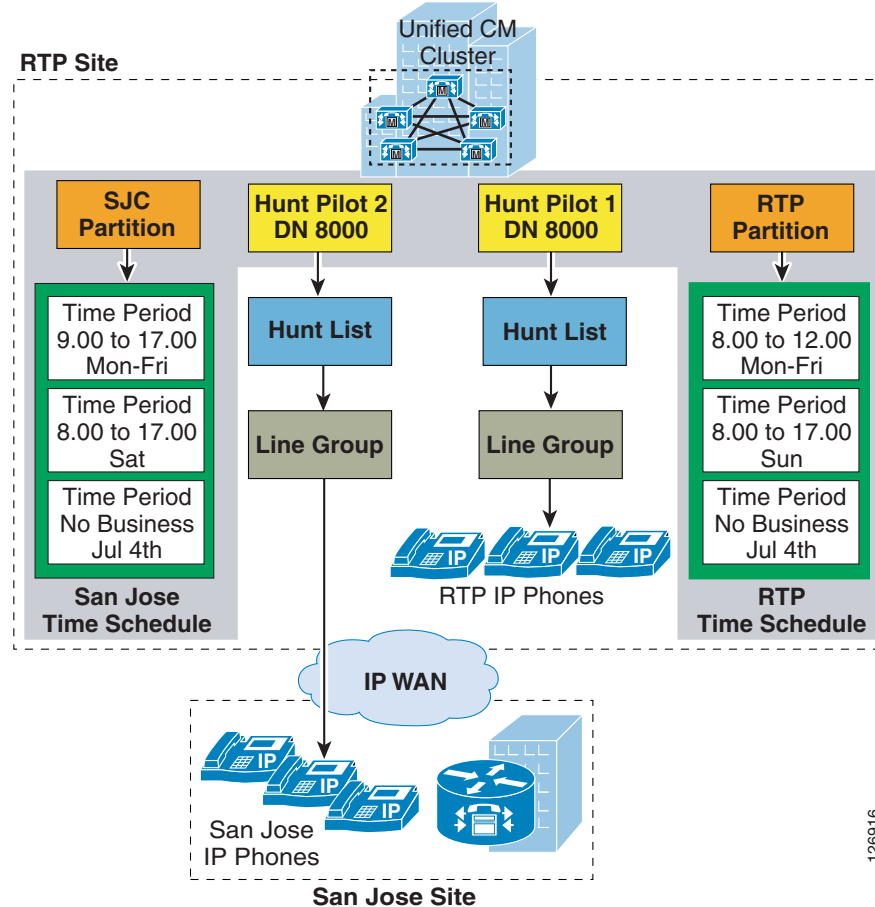
- Time period
- Time schedule

The time period allows you to configure start and end times for business hours. The start and end times indicate the times during which the calls can be routed. In addition to these times, you can set the event to repeat itself on a weekly or yearly basis. Moreover, you can also configure non-business hours by selecting "No business hours" from the Start Time and End Time options. All incoming calls will be blocked when this option is selected.

A time schedule is a group of specific time periods assigned to the partition. It determines whether the partition is active or inactive during the specified time periods. A matching/dialing pattern can be reached only if the partition in which the dialing pattern resides is active.

As illustrated in [Figure 9-52](#), two hunt pilots with the same calling pattern (8000) are configured in two partitions (namely, RTP_Partition and SJC_Partition). Each of these partitions is assigned a time schedule, which contains a list of defined time periods. For example, RTP phones can be reached using Hunt Pilot 1 from 8:00 AM to 12:00 PM EST (GMT - 5.00) Monday through Friday as well as 8:00 AM to 5:00 PM on Sundays. In the same way, SJC phones can be reached using Hunt Pilot 2 from 8:00 AM to 5:00 PM PST (GMT - 8.00) Monday through Friday and 8:00 AM to 5:00 PM on Saturdays. Both of the hunt pilots in this example are inactive on July 4th.

Figure 9-52 Time-of-Day Routing



For the example in [Figure 9-52](#), an incoming call to the hunt pilot (8000) on Wednesday at 3:00 PM will be forwarded to the SJC phones, while a person calling the hunt pilot on July 4th will get a fast busy tone unless there is another pattern that matches 8000.

Logical Partitioning

The elements of logical partitioning include:

- Device types, where phones are classified as *interior*, and gateways and trunks are defined as *border*. [Table 9-9](#) lists the endpoint types for different devices.
- Geolocations, where endpoints are assigned a civic address to be used in policy decisions.
- Geolocation filters, where policy decisions can be made on a subset of the geolocation objects.
- Policies, where communications between endpoints are either allowed or denied based on their comparative (filtered) geolocations and device types.



Note

Policies are not applied if all participants in a call (or call attempt) are classified as *interior*. This means that calls between phones on the same cluster are never subjected to logical partitioning policies.

**Note**

Geolocations are not to be confused with locations configured in Unified CM, which are used for call admission control, or with physical locations used for Device Mobility.

Table 9-9 **Device Types**

Logical Partitioning Device Types	Cisco Unified Communications Manager Device
Border	<ul style="list-style-type: none"> • Gateway (for example, H.323 gateway) • Inter-luster trunk (ICT), both gatekeeper-controlled and non-gatekeeper-controlled • H.225 trunk • SIP trunk • MGCP port (E1, T1, PRI, BRI, FXO)
Interior	<ul style="list-style-type: none"> • Phones (SCCP, SIP, or third-party) • CTI route points • VG224 analog phones • MGCP port (FXS) • Cisco Unity voicemail (SCCP)

Logical Partitioning Device Types

Unified CM classifies endpoints as either *interior* or *border*. This classification is fixed and cannot be modified by the system administrator.

Geolocation Creation

The (RFC) 4119 standard provides the basis for geolocations. Geolocations use the civic location format specified by the following objects:

- Name
- Description
- Country using the two-letter abbreviation
- State, Region, or Province (A1)
- County or Parish (A2)
- City or Township (A3)
- Borough or City District (A4)
- Neighborhood (A5)
- Street (A6)
- Leading Street Direction, such as N or W (PRD)
- Trailing Street Suffix, such as SW (POD)
- Address Suffix, such as Avenue, Platz (STS)
- Numeric house number (HNO)

- House Number Suffix, such as A, 1/2 (HNS)
- Landmark (LMK)
- Additional Location Information, such as Room Number (LOC)
- Floor (FLR)
- Name of Business or Resident (NAM)
- Zip or Postal Code (PC)

**Note**

In Unified CM, you must define geolocations manually.

Geolocation Assignment

Devices are assigned a geolocation from either the device page, the device pool, or the default Geolocation as configured under Enterprise Parameters, in that order of precedence.

Geolocation Filter Creation

Geolocation filters define which of the geolocation objects should be used when comparing the geolocations of different endpoints. For example, a group of phones may be assigned identical geolocations, except for the room and floor in which they are located. Policies may want to consider endpoints located within the same building as being within the same Closed User Group, and thus allowed to communicate. Even though the actual geolocations of each phone differ, the filtered geolocation is the same. This is useful when policies need to be applied to only the top-level fields of geolocation. For instance, a policy that denies communications between phones and gateways in different cities but allows communications between phones and gateways in the same city, could be based on the comparative filtered geolocations where objects more granular than the City are ignored.

Geolocation Filter Assignment

Phones inherit the filter assignment of their device pool. Gateways and trunks can be configured with a geolocation filter at the device or device pool level, in that order of precedence.

Logical Partitioning Policy Configuration

Logical partitioning policies are configured between geolocation identifiers. A geolocation identifier is the combination of a filtered geolocation and a device type. The filtered geolocation is obtained by taking a device's geolocation and applying the device's associated geolocation filter.

A policy is created as the combination of a set of geolocation objects and a device type (a source geolocation identifier) in relationship with another such combination (the target geolocation identifier). When the relationship is matched, the configured action of "allow" or "deny" is applied to the call leg.

**Note**

Each set of geolocation objects configured in a policy is considered in association with a single device type. For example, a set of geolocation objects such as Country=India, State=Karnataka, City=Bangalore needs to be associated with device type Interior for actions pertaining to Bangalore phones, and separately associated with device type Border for actions pertaining to Bangalore gateways.

Logical Partitioning Policy Application

When user action results in the creation of a new call leg (for example, when a user conferences a third caller into a preexisting call), Unified CM will match the geolocation identifiers of each participant pairs to those of preconfigured policies.



Note

When the geolocation identifiers of two devices are being evaluated by logical partitioning, no policy is applied if both devices are of device type Interior. This means that no call, conference, transfer, or so forth, between IP phones within the same cluster will ever be denied due to logical partitioning policies.

For example, consider phones A and B located in Bangalore, India, and gateway C located in Ottawa, Canada. Phone A calls phone B. Because both devices are of type Interior, no policy is invoked. The call is established, and then the user at phone A invokes a conference, which would bring in gateway C. Before the action is allowed, Unified CM will check the geolocation identifiers of A and C, as well as those of B and C, for a match with the preconfigured policies. If any of the matching policies results in a deny action, the new call leg cannot be established.



Note

The default policy in Unified CM is deny; in other words, if no policy is configured explicitly to permit a call leg, the call leg will be denied.

In the example above, unless an explicit policy is configured to allow Bangalore Interior devices to connect to Ottawa Border devices, the call leg will be denied.

Call Routing in Cisco IOS with H.323 Dial Peers

The call routing logic on Cisco IOS routers using the H.323 protocol relies on the dial peer construct. Dial peers are similar to static routes; they define where calls originate and terminate and what path the calls take through the network. Dial peers are used to identify call source and destination endpoints and to define the characteristics applied to each call leg in the call connection. Attributes within the dial peer determine which dialed digits the router collects and forwards to telephony devices.

For a detailed description of dial peers and their configuration, refer to *Configuring Dial Plans, Dial Peers, and Digit Manipulation*, part of the *Cisco IOS Voice, Video, and Fax Configuration Guide, Release 12.2*, available at

<http://www.cisco.com>

One of the keys to understanding call routing with dial peers is the concept of incoming versus outgoing call legs and, consequently, of incoming versus outgoing dial peers. Each call passing through the Cisco IOS router is considered to have two call legs, one entering the router and one exiting the router. The call leg entering the router is the *incoming call leg*, while the call leg exiting the router is the *outgoing call leg*.

Call legs can be of two main types:

- Traditional TDM telephony call legs, connecting the router to the PSTN, analog phones, or PBXs
- IP call legs, connecting the router to other gateways, gatekeepers, or Unified CMs

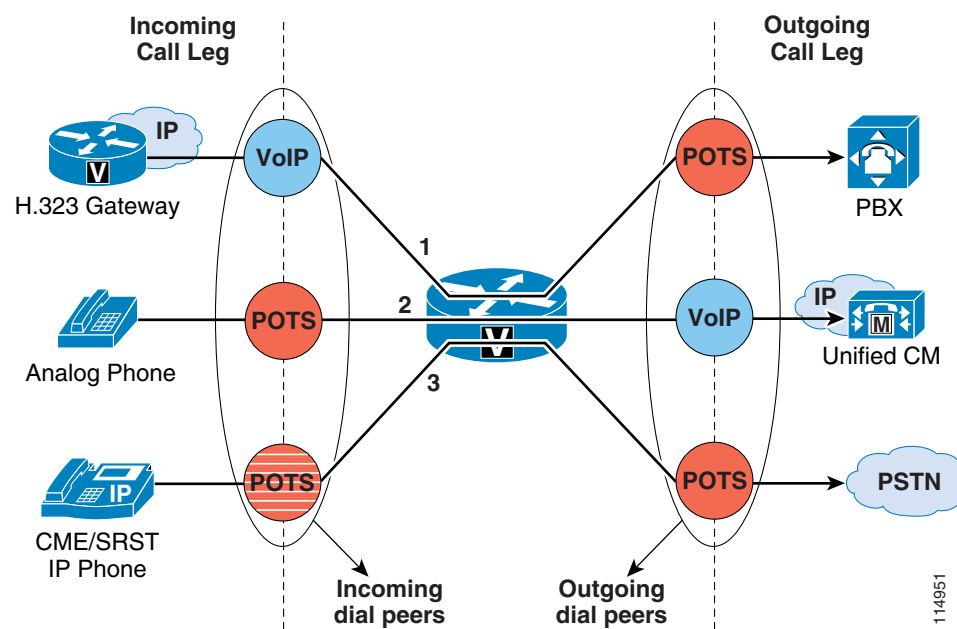
For all calls going through the router, Cisco IOS associates one dial peer to each call leg. Dial peers are also of two main types, according to the type of call leg with which they are associated:

- POTS dial peers, associated with traditional TDM telephony call legs
- VoIP dial peers, associated with IP call legs

Figure 9-53 shows the following examples of different types of calls going through a Cisco IOS router:

- Call 1 is from another H.323 gateway across the IP network to a traditional PBX connected to the router (for example, via a PRI interface). For this call, an incoming VoIP dial peer and an outgoing POTS dial peer are selected.
- Call 2 is from an analog phone connected to an FXS port on the router to a Unified CM cluster across the IP network. For this call, an incoming POTS dial peer and an outgoing VoIP dial peer are selected by the router.
- Call 3 is from an IP phone controlled by Cisco Unified Communications Manager Express (Unified CME) or SRST to a PSTN interface on the router (for example, a PRI interface). For this call, an automatically generated POTS dial peer (corresponding to the **ephone** configured on the router) and an outgoing POTS dial peer are selected.

Figure 9-53 Incoming and Outgoing Dial Peers



To match incoming call legs to incoming dial peers, the router selects a dial peer by matching the information elements in the setup message (called number/DNIS and calling number/ANI) with four configurable dial peer attributes. The router attempts to match these items in the following order:

1. Called number with **incoming called-number**
2. Calling number with **answer-address**
3. Called number with **destination-pattern**
4. Incoming voice port with configured voice port

The router must match only one of these conditions. It is not necessary for all the attributes to be configured in the dial peer or that every attribute match the call setup information; only one condition must be met for the router to select a dial peer. The router stops searching as soon as one dial peer is matched, and the call is routed according to the configured dial peer attributes. Even if there are other dial peers that would match, only the first match is used.

How the router selects an outbound dial peer depends on whether **direct-inward-dial** (DID) is configured in the inbound POTS dial peer:

- If DID is not configured in the inbound POTS dial peer, the router performs two-stage dialing and collects the incoming dialed string digit-by-digit. As soon as one dial peer matches the destination pattern, the router immediately places the call using the configured attributes in the matching dial peer.
- If DID is configured in the inbound POTS dial peer, the router uses the full incoming dial string to match the destination pattern in the outbound dial peer. With DID, the setup message contains all the digits necessary to route the call, so no additional digit collection is required. If more than one dial peer matches the dial string, all of the matching dial peers are used to form a *hunt group*. The router attempts to place the outbound call leg using all of the dial peers in the hunt group until one is successful.

By default, dial peers in a hunt group are selected according to the following criteria, in the order listed:

1. Longest match in phone number

This method selects the destination pattern that matches the greatest number of dialed digits. For example, if one dial peer is configured with a dial string of 345... and a second dial peer is configured with 3456789, the router would first select 3456789 because it has the longest explicit match of the two dial peers.

2. Explicit preference

This method uses the priority configured with the **preference** dial peer command. The lower the preference number, the higher the priority. The highest priority is given to the dial peer with preference order 0. If the same preference is defined in multiple dial peers with the same destination pattern, a dial peer is selected randomly.

3. Random selection

In this method, all destination patterns are weighted equally.

You can change this default selection order or choose different methods for hunting dial peers by using the **dial-peer hunt** global configuration command. An additional selection criterion is *least recent use*, which selects the destination pattern that has waited the longest since being selected (equivalent to *longest idle* for Unified CM line groups).

Observe the following best practices when configuring H.323 dial peers on a Cisco IOS router:

- To ensure that incoming PSTN calls are directly routed to their destination based on the DNIS information, create a default POTS dial peer with the **direct-inward-dial** attribute, as follows:

```
dial-peer voice 999 pots
  incoming called-number .
  direct-inward-dial
  port 1/0:23
```

- When using the router as an H.323 gateway connected to a Unified CM cluster, provide redundancy by configuring at least two VoIP dial peers with the same destination pattern pointing to two different Unified CM servers. Use the **preference** attribute to select the priority order between primary and secondary Unified CM servers. The following example shows the use of the **preference** attribute:

```
dial-peer voice 100 voip
  preference 1

!--- Make this the first choice dial peer.

ip precedence 5
destination-pattern 1...
```

```
session target ipv4:10.10.10.2

!--- This is the address of the primary Unified CM.

dtmf-relay h245-alpha

dial-peer voice 101 voip
  preference 2

!--- This is the second choice.

ip precedence 5
destination-pattern 1...
session target ipv4:10.10.10.3

!--- This is the address of the secondary Unified CM.

dtmf-relay h245-alpha
```

Call Routing in Cisco IOS with a Gatekeeper

An H.323 gatekeeper is an optional node that manages endpoints (such as H.323 terminals, gateways, and Multipoint Control Units (MCUs), as well as Cisco Unified Communications Manager Express (Unified CME) and Unified CM clusters) in an H.323 network, providing them with call routing and call admission control functions. The endpoints communicate with the gatekeeper using the H.323 Registration Admission Status (RAS) protocol.

Endpoints attempt to register with a gatekeeper on startup. When they want to communicate with another endpoint, they request admission to initiate a call using a symbolic alias for the endpoint, such as an E.164 address or an email address. If the gatekeeper decides that the call can proceed, it returns a destination IP address to the originating endpoint. This IP address might not be the actual address of the destination endpoint, but instead it might be an intermediate address, such as the address of a Cisco Unified Border Element or a gatekeeper that routes call signaling.

For more details about the H.323 protocol and the message exchange between H.323 endpoints and gatekeepers, refer to the *Cisco IOS H.323 Configuration Guide*, available at

<http://www.cisco.com>

The gatekeeper feature is supported on a number of router platforms. For the full list of supported platforms, consult the gatekeeper product data sheet. You can configure Cisco IOS gatekeepers in a number of different ways for redundancy, load balancing, and hierarchical call routing. This section focuses on the call routing capabilities of the gatekeeper feature. For redundancy and scalability considerations, refer to [Gatekeeper Redundancy, page 8-38](#); for call admission control considerations, refer to [Cisco IOS Gatekeeper Zones, page 11-40](#).

Call routing in Cisco IOS gatekeeper is based on the following types of information:

- Statically configured information, such as zone prefixes and default technology prefixes
- Dynamic information, such as E.164 addresses and technology prefixes provided by H.323 devices during the registration phase
- Per-call information, such as called number and technology prefix

A zone is a collection of H.323 devices (such as endpoints, gateways, or MCUs) that register with a gatekeeper. There can be only one active gatekeeper per zone, and you can define up to 100 local zones on a single gatekeeper.

When an H.323 endpoint registers with the gatekeeper, it is assigned to a zone and it can optionally register one or more E.164 addresses for which it is responsible, as well as a technology prefix that specifies which kinds of calls it can handle (for example, voice, video, fax, and so on).

For each zone, you can configure one or more *zone prefixes* on the gatekeeper. Zone prefixes are strings that contain digits and wildcards and are used by the gatekeeper to facilitate call routing decisions. The following characters are allowed in a zone prefix string:

- All numbers between 0 and 9, which match a single specific digit
- The dot (.) wildcard, which matches one digit between 0 and 9
- The * wildcard, which matches one or more digits between 0 and 9

To understand the gatekeeper call routing behavior, it is helpful to consider the message parsing logic. [Figure 9-54](#) illustrates the parsing logic for an Admission Request (ARQ). To initiate a call, an endpoint sends an Admission Request (ARQ) to the gatekeeper. The ARQ contains either an H.323 ID or the E.164 address of the destination, or called party, as well as the E.164 address or H.323 ID of the source, or calling party.

If the ARQ contains the E.164 address (with Unified CM, the ARQ always contains an E.164 address), the ARQ may or may not contain a technology prefix. If the ARQ contains a technology prefix, the gatekeeper strips it from the called number. If the ARQ does not contain a technology prefix, the gatekeeper uses the default technology prefix if one is configured (see the **gw-type-prefix** command in the section on [Centralized Gatekeeper Configuration, page 9-145](#)). The technology prefix thus obtained is stored in memory, and the gatekeeper continues with the call routing algorithm.

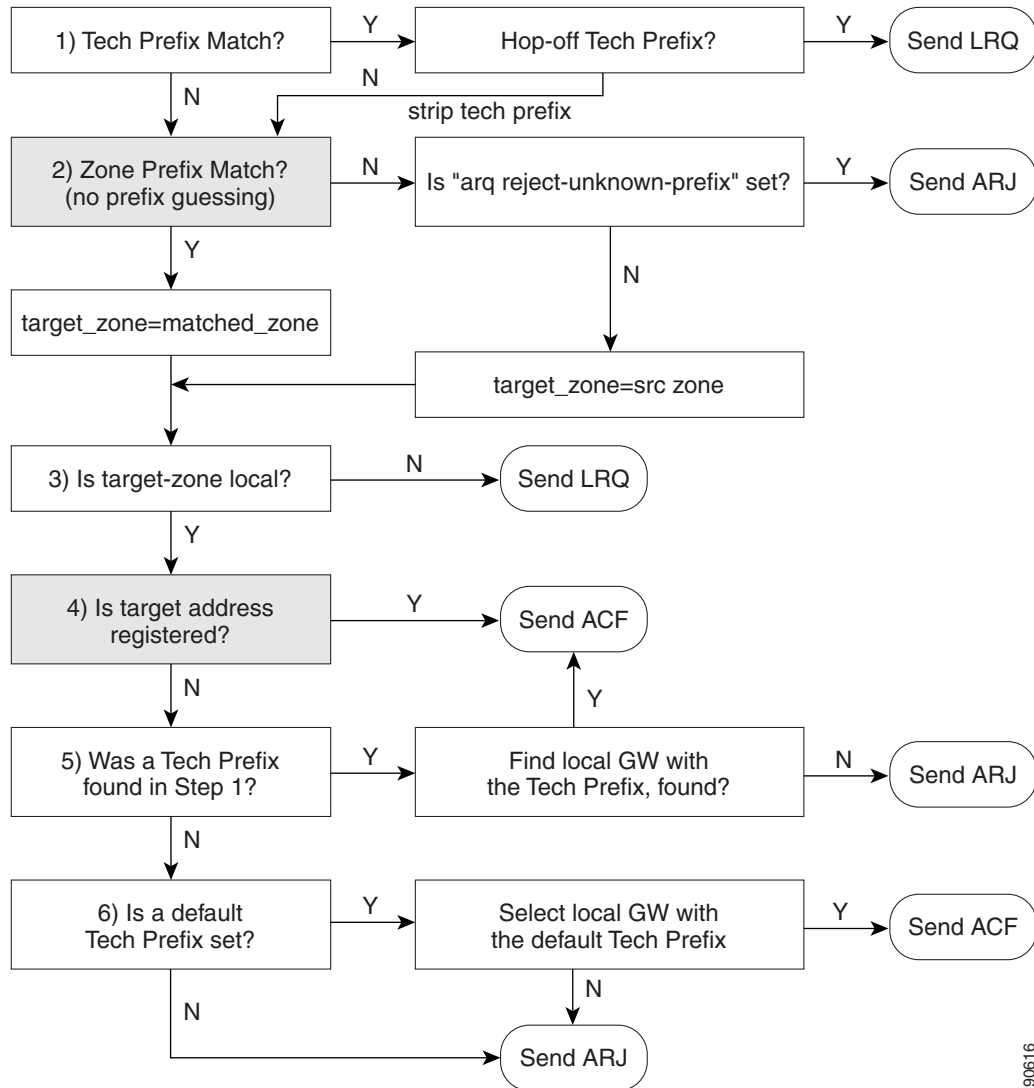
Next, the gatekeeper tries to match the called number with one of the configured zone prefixes. Longest-match is used if multiple potential matches exist. If no zone prefix can be matched, and if the gatekeeper is configured to accept calls with an unknown prefix, the gatekeeper then assumes that the destination zone is equal to the source zone.

At this point, the gatekeeper searches in the chosen destination zone for a registered E.164 address that matches the called number. If there is a match, the gatekeeper can send an Admission Confirm (ACF), provided that the requested bandwidth for the call is available and that the called endpoint is registered with the gatekeeper. The ACF will contain the IP address of the destination endpoint. If the bandwidth is unavailable or the called endpoint is not registered, the gatekeeper returns an Admission Reject (ARJ) to the calling endpoint.

If there is no matching E.164 address registered in the destination zone, the gatekeeper will use the previously stored technology prefix to choose a gateway registered in that zone as the destination for the call. The same considerations regarding bandwidth availability and endpoint registration dictate whether the gatekeeper will send an ACF or an ARJ to the calling endpoint.

Upon receipt of an ACF from the gatekeeper, the source endpoint can send a setup message directly to the destination endpoint by using the IP address returned in the ACF.

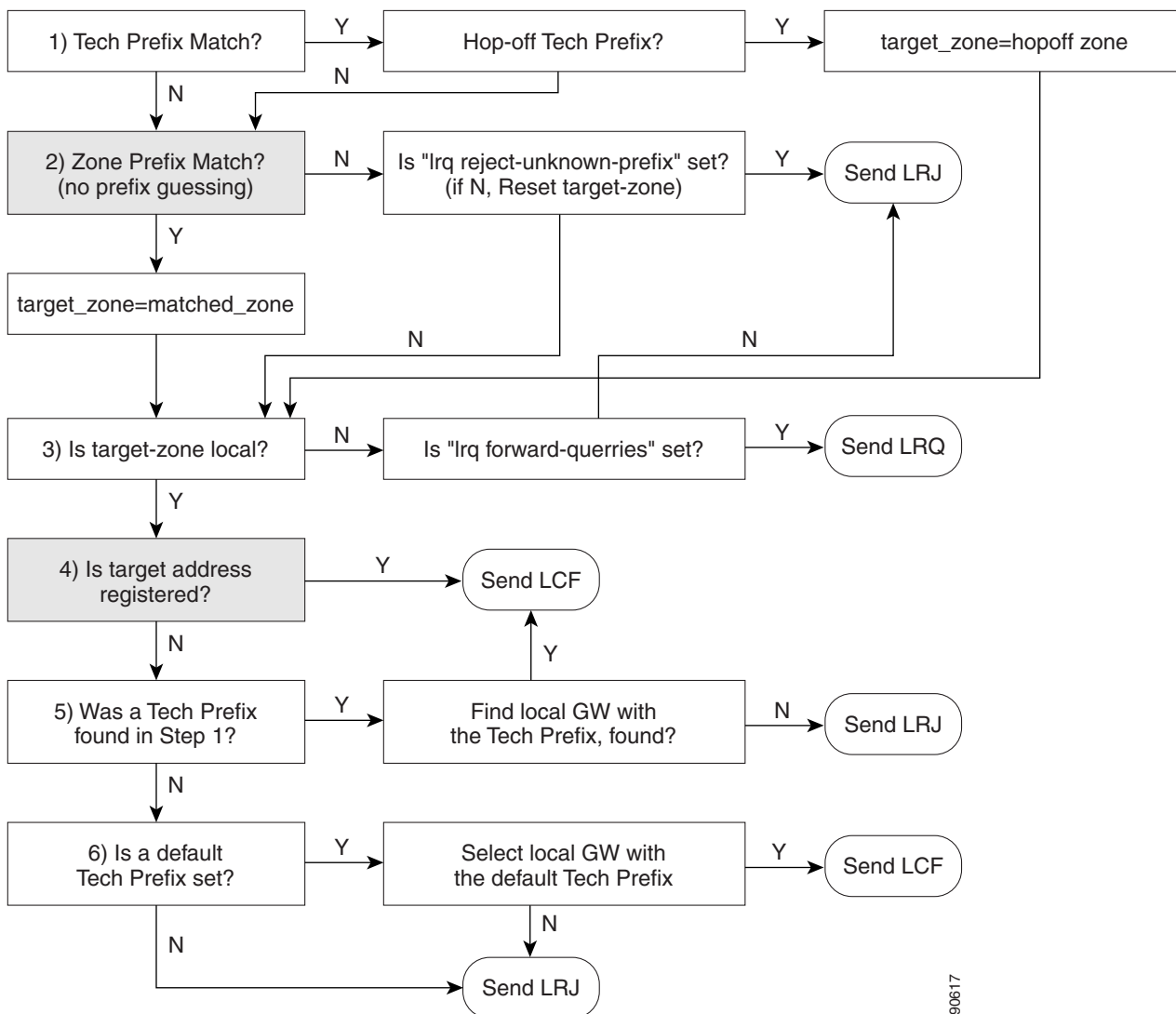
Figure 9-54 Gatekeeper Address Resolution for an ARQ



91906

Figure 9-55 illustrates the parsing logic for a Location Request (LRQ). LRQ messages are exchanged between gatekeepers and are used for inter-zone (remote zone) calls. For example, gatekeeper A receives an ARQ from a local zone gateway requesting call admission for a remote zone device. Gatekeeper A then sends an LRQ message to gatekeeper B. Gatekeeper B replies to the LRQ message with either a Location Confirm (LCF) or Location Reject (LRJ) message, depending on whether it is configured to admit or reject the inter-zone call request and whether the requested resource is registered.

Figure 9-55 Gatekeeper Address Resolution for an LRQ



90617

Traditional Cisco IOS gatekeeper functionality has been extended to accommodate for Cisco Unified Border Elements through the concept of a *via-zone gatekeeper*.

A *via-zone gatekeeper* differs from legacy gatekeepers in how it uses LRQ and ARQ messages for call routing. Using *via-zone gatekeepers* will maintain normal clusters and functionality. Legacy gatekeepers examine incoming LRQs based on the called number, and more specifically the `dialedDigits` field in the `destinationInfo` portion of the LRQ. *Via-zone gatekeepers* look at the origination point of the LRQ before looking at the called number. If an LRQ comes from a gatekeeper listed in the *via-zone gatekeeper's* remote zone configurations, the gatekeeper checks to see that the zone remote configuration contains an **invia** or **outvia** keyword. If the configuration contains either of these keywords, the gatekeeper uses the new *via-zone* behavior; if not, it uses legacy behavior.

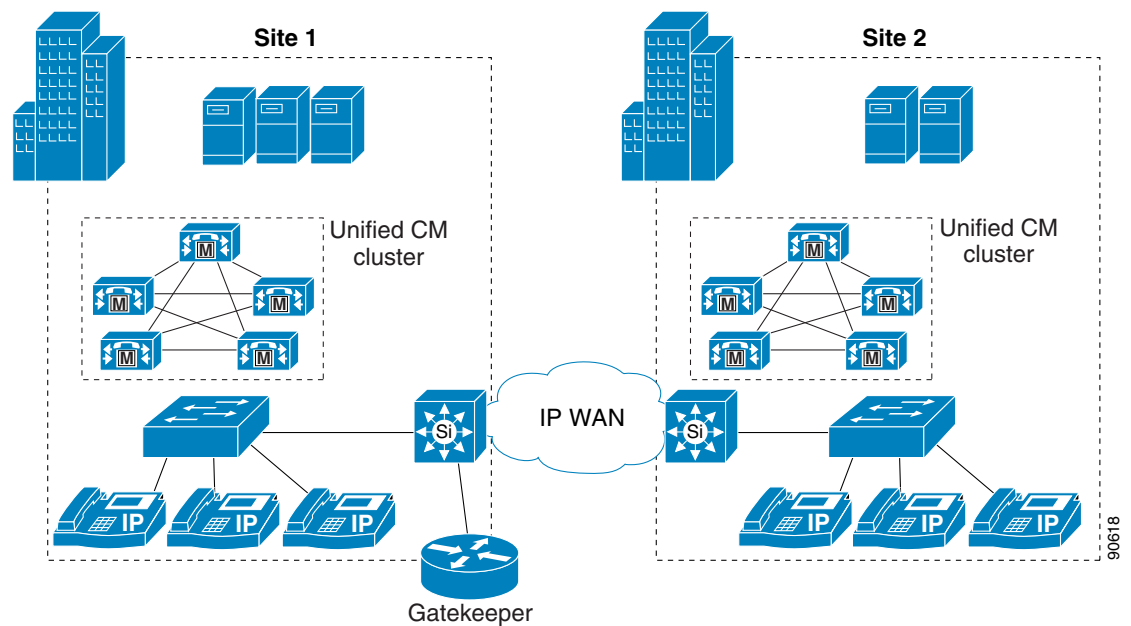
For ARQ messages, the gatekeeper determines if an **outvia** keyword is configured on the destination zone. If the **outvia** keyword is configured and the zone named with the **outvia** keyword is local to the gatekeeper, the call is directed to a Cisco Unified Border Element in that zone by returning an ACF

pointing to the Cisco Unified Border Element. If the zone named with the **outvia** keyword is remote, the gatekeeper sends a location request to the **outvia** gatekeeper rather than the remote zone gatekeeper. The **invia** keyword is not used in processing the ARQ.

Centralized Gatekeeper Configuration

A single gatekeeper can support call routing between clusters and call admission control for up to 100 Unified CM clusters. [Figure 9-56](#) illustrates a distributed call processing environment with two Unified CM clusters and a single, centralized gatekeeper.

Figure 9-56 Centralized Gatekeeper Supporting Two Clusters



[Example 9-5](#) shows the gatekeeper configuration for the example in [Figure 9-56](#).

Example 9-5 Configuration for Centralized Gatekeeper

```
gatekeeper
zone local GK-Site1 customer.com 10.1.10.100
zone local GK-Site2 customer.com
zone prefix GK-Site1 408.....
zone prefix GK-Site2 212.....
bandwidth interzone GK-Site1 160
bandwidth interzone GK-Site2 160
gw-type-prefix 1#* default-technology
arq reject-unknown-prefix
no shutdown
```

The following notes also apply to [Figure 9-56](#):

- Each Unified CM cluster has a local zone configured to support Unified CM trunk registrations.
- A zone prefix is configured for each zone to allow inter-zone and inter-cluster call routing.

- Bandwidth statements are configured for each site. Cisco recommends that you use the **bandwidth interzone** command because using the **bandwidth total** command can cause issues in some configurations. Bandwidth is measured in kilobits per second (kbps).
- The **gw-type-prefix 1# default-technology** command allows all locally unresolved calls to be forwarded to a device registered with a technology prefix of 1# in the local zone. In this example, all Unified CM trunks have been configured to register with a 1# prefix.

Technology prefixes indicate the type of call being made. The specific values used as technology prefixes are arbitrary and are defined by the network administrator. The same values should be used consistently throughout the entire deployment.

Technology prefixes are sent as a prefix to the E.164 address (phone number) to indicate whether the call is voice, video, or some other type. The # symbol is generally used to separate the prefix from the E.164 number. If a prefix is not included, the default technology prefix is used to route the call. There can be only one default technology prefix for the entire deployment.

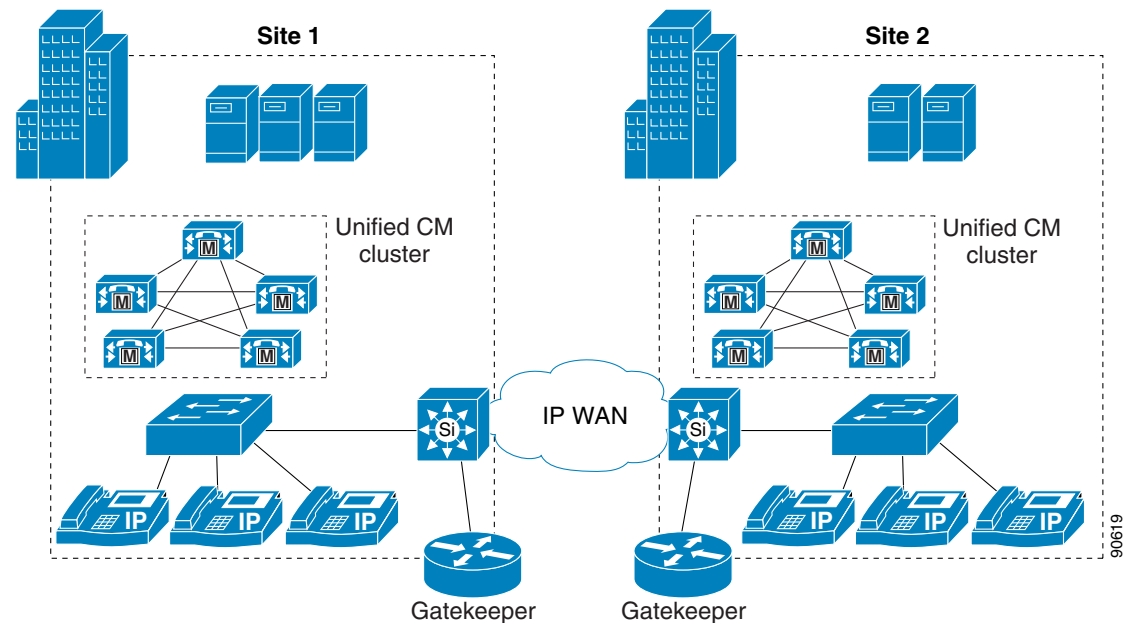
Cisco IOS gateways automatically add a technology prefix to outbound calls if the gateway has a prefix configured. The gateway also automatically strips the prefix from incoming H.323 calls. Unified CM can register with the gatekeeper using a technology prefix, as specified on the configuration page for gatekeeper-controlled H.323 trunks. However, this technology prefix is not automatically added to outgoing calls to the gatekeeper, and is not automatically stripped from inbound calls to Unified CM. You can use translation patterns and significant digits to manipulate the called number so as to add or strip the technology prefix as needed.

- The **arq reject-unknown-prefix** command guards against potential call routing loops across redundant Unified CM trunks.

Distributed Gatekeeper Configuration

Gatekeepers can be distributed to conserve bandwidth or to provide local call routing for H.323 gateways in case of a WAN failure. [Figure 9-57](#) illustrates a distributed call processing environment with two clusters and two gatekeepers.

Figure 9-57 *Distributed Gatekeepers Supporting Two Clusters*



[Example 9-6](#) shows the gatekeeper configuration for Site 1 in [Figure 9-57](#).

Example 9-6 *Gatekeeper Configuration for Site 1*

```
gatekeeper
zone local GK-Site1 customer.com 10.1.10.100
zone remote GK-Site2 customer.com 10.1.11.100
zone prefix GK-Site1 408.....
zone prefix GK-Site2 212.....
bandwidth remote 160
gw-type-prefix 1#* default-technology
arg reject-unknown-prefix
no shutdown
```

The following notes apply to [Example 9-6](#):

- A local zone is configured for registration of local Unified CM cluster trunks.
- A remote zone is configured for routing calls to the Site 2 gatekeeper.
- Zone prefixes are configured for both zones for inter-zone call routing.
- The **bandwidth remote** command is used to limit bandwidth between the local zone and any other remote zone.
- The **gw-type-prefix 1#* default-technology** command allows all locally unresolved calls to be forwarded to a device registered with a technology prefix of 1# in the local zone. In this example, all Unified CM trunks have been configured to register with a 1# prefix.

- The **arq reject-unknown-prefix** command guards against potential call routing loops across redundant Unified CM trunks.

[Example 9-7](#) shows the gatekeeper configuration for Site 2 in [Figure 9-57](#).

Example 9-7 Gatekeeper Configuration for Site 2

```
gatekeeper
zone local GK-Site2 customer.com 10.1.11.100
zone remote GK-Site1 customer.com 10.1.10.100
zone prefix GK-Site2 212.....
zone prefix GK-Site1 408.....
bandwidth remote 160
gw-type-prefix 1#* default-technology
arq reject-unknown-prefix
no shutdown
```

The following notes apply to [Example 9-7](#):

- A local zone is configured for registration of local Unified CM cluster trunks.
- A remote zone is configured for routing calls to the Site 1 gatekeeper.
- Zone prefixes are configured for both zones for inter-zone call routing.
- The **bandwidth remote** command is used to limit bandwidth between the local zone and any other remote zone.
- The **gw-type-prefix 1# default-technology** command allows all locally unresolved calls to be forwarded to a device registered with a technology prefix of 1# in the local zone. In this example, all Unified CM trunks have been configured to register with a 1# prefix.
- The **arq reject-unknown-prefix** command guards against potential call routing loops across redundant Unified CM trunks.

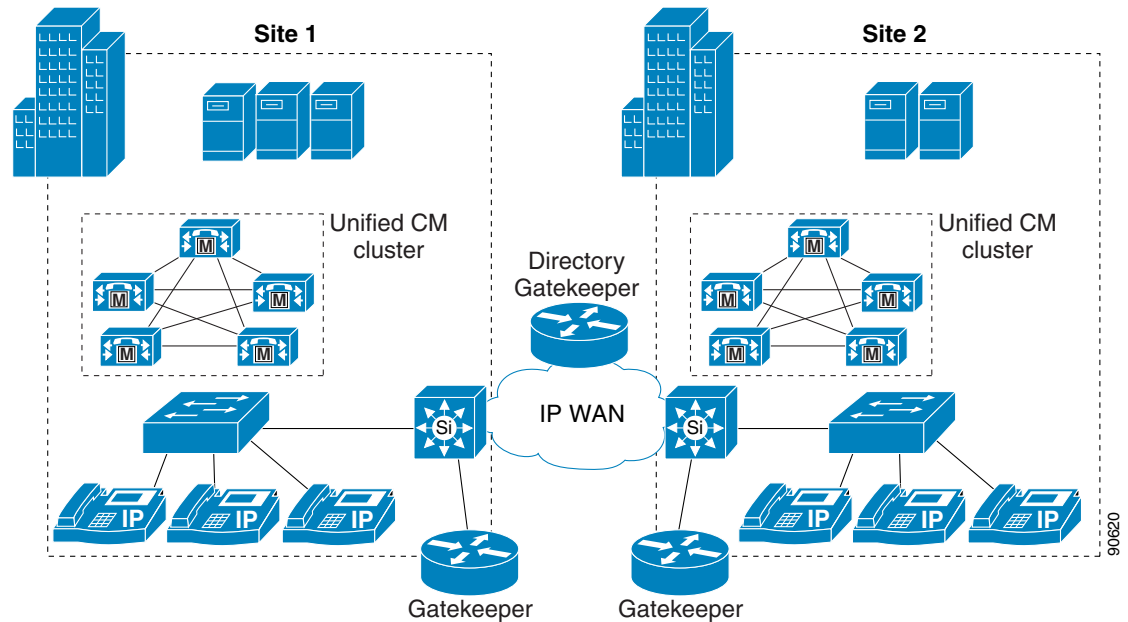
Distributed Gatekeeper Configuration with Directory Gatekeeper

Because there is no gatekeeper protocol available to update gatekeeper routing tables, use of a directory gatekeeper can help make distributed gatekeeper configurations more scalable and more manageable. Implementing a directory gatekeeper makes gatekeeper configurations at each site simpler and moves most of the configuration for inter-zone communication into the directory gatekeeper.

Without a directory gatekeeper, you would have to add an entry in every gatekeeper on the network every time you add a new zone on one of the gatekeepers. However, with a directory gatekeeper, you can add the new zone in the local gatekeeper and the directory gatekeeper only. If the local gatekeeper cannot resolve a call request locally, it forwards that request to the directory gatekeeper with a matching zone prefix.

[Figure 9-58](#) illustrates a Unified CM distributed call processing environment with distributed gatekeepers for local call routing and a directory gatekeeper to provide call routing between gatekeepers.

Figure 9-58 Distributed Gatekeepers with a Directory Gatekeeper



Example 9-8 shows the gatekeeper configuration for Site 1 in [Figure 9-58](#). Because the Site 1 and Site 2 gatekeeper configurations are almost identical in this example, only Site 1 is covered here.

Example 9-8 Gatekeeper Configuration for Site 1, with Directory Gatekeeper

```
gatekeeper
zone local GK-Site1 customer.com 10.1.10.100
zone remote DGK customer.com 10.1.10.101
zone prefix GK-Site1 408.....
zone prefix DGK .....
bandwidth remote 160
gw-type-prefix 1#* default-technology
arq reject-unknown-prefix
no shutdown
```

The following notes also apply to [Example 9-8](#):

- A local zone is configured for registration of local Unified CM cluster trunks.
- A remote zone is configured for the directory gatekeeper.
- Zone prefixes are configured for both zones for inter-zone call routing.
- The directory gatekeeper zone prefix is configured with 10 dots. This pattern matches any unresolved 10-digit dial strings. Multiple zone prefixes can be configured for a single zone, allowing matches on different length dial strings. A wildcard (*) can also be used for a directory gatekeeper zone prefix, but this method can cause call routing issues in some instances.
- The **bandwidth remote** command is used to limit bandwidth between the local zone and any other remote zone.
- The **gw-type-prefix 1#* default-technology** command allows all locally unresolved calls to be forwarded to a device registered with a technology prefix of 1# in the local zone. In this example, all Unified CM trunks have been configured to register with a 1# prefix.

- The **arq reject-unknown-prefix** command guards against potential call routing loops across redundant Unified CM trunks.

[Example 9-9](#) shows the directory gatekeeper configuration for the example in [Figure 9-58](#).

Example 9-9 Directory Gatekeeper Configuration

```
gatekeeper
zone local DGK customer.com 10.1.10.101
zone remote GK-Site1 customer.com 10.1.10.100
zone remote GK-Site2 customer.com 10.1.11.100
zone prefix GK-Site1 408*
zone prefix GK-Site2 212*
lrq forward-queries
no shutdown
```

The following notes also apply to [Example 9-9](#):

- A local zone is configured for the directory gatekeeper.
- Remote zones are configured for each remote gatekeeper.
- Zone prefixes are configured for both remote zones for inter-zone call routing. The wildcard (*) is used in the zone prefix to simplify configuration. Calls will not be routed to the DGK zone, so no prefix is required for it.
- The **lrq forward-queries** command allows the directory gatekeeper to forward an LRQ received from another gatekeeper.

Calling Privileges in Cisco IOS with H.323 Dial Peers

Use the class of restriction (COR) functionality to implement calling privileges with Cisco IOS-based systems using H.323, including H.323 gateways, SRST, and Cisco Unified Communications Manager Express (Unified CME). This functionality provides flexibility in network design, allows administrators to block calls for all users (for example, calls to 900 numbers), and applies different calling privileges to call attempts from different originators (for example, it allows some users but not others to call international numbers).

The fundamental mechanism at the center of the COR functionality relies on the definition of incoming and outgoing *corlists* that are associated to existing dial peers, where the concepts of incoming and outgoing are relative to the Cisco IOS router (as in the case of dial peers). Each corlist is defined to include a number of members, which are simply tags previously defined within Cisco IOS.

When a call goes through the router, an incoming dial peer and an outgoing dial peer are selected based on the Cisco IOS dial peer routing logic. If corlists are associated with the selected dial peers, the following additional check is performed before extending the call:

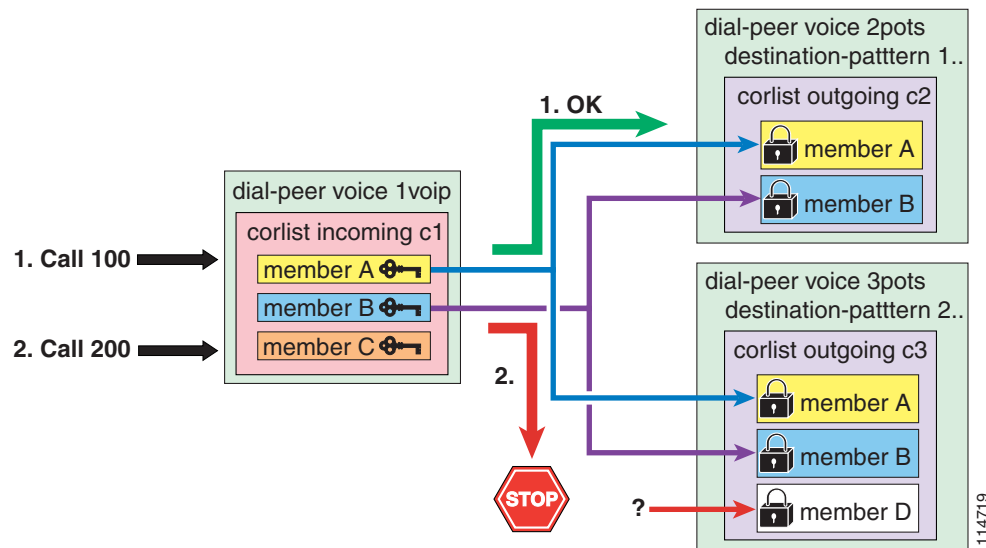
- If the members of the outgoing corlist associated with the outgoing dial peer are a subset of the members of the incoming corlist associated with the incoming dial peer, the call is permitted.
- If the members of the outgoing corlist associated with the outgoing dial peer are *not* a subset of the members of the incoming corlist associated with the incoming dial peer, the call is rejected.

If no corlist statements are applied to some dial peers, the following properties apply:

- When no incoming corlist is configured on a dial-peer, the default incoming corlist is used. The default incoming corlist has the highest possible priority, and it therefore allows this dial-peer to access all other dial-peers, regardless of their outgoing corlist.
- When no outgoing corlist is configured on a dial-peer, the default outgoing corlist is used. The default outgoing corlist has the lowest possible priority, and it therefore allows all other dial-peers to access this dial-peer, regardless of their incoming corlist.

This behavior is best illustrated with an example as shown in [Figure 9-59](#), where one VoIP dial-peer and two POTS dial-peers are defined.

Figure 9-59 Example of COR Behavior



The VoIP dial-peer is associated with the c1 incoming corlist, with members A, B, and C. You can think of members of the incoming corlist as "keys."

The first POTS dial-peer has a destination-pattern of 1.. and is associated with the c2 outgoing corlist, with members A and B. The second POTS dial-peer has a destination-pattern of 2.. and is associated with the c3 outgoing corlist, with members A, B, and D. You can think of members of the outgoing corlists as "locks."

For the call to succeed, the incoming corlist of the incoming dial-peer must have all the "keys" needed to open all the "locks" of the outgoing corlist of the outgoing dial-peer.

In the example shown in [Figure 9-59](#), a first VoIP call with destination 100 is received by the router. The Cisco IOS call routing logic matches the incoming call leg with the VoIP dial-peer and the outgoing call leg with the first POTS dial-peer. The COR logic is then applied; because the c1 incoming corlist has all the keys needed for the c2 outgoing corlist locks (A and B), the call succeeds.

A second VoIP call with destination 200 is then received by the router. The Cisco IOS call routing logic matches the incoming call leg with the VoIP dial-peer and the outgoing call leg with the second POTS dial-peer. The COR logic is then applied; because the c1 incoming corlist is missing one "key" for the c3 outgoing corlist (D), the call is rejected.

Follow these steps when configuring the COR functionality in Cisco IOS:

-
- Step 1** Define "tags" to be used as corlist members with the command **dial-peer cor custom**.
- Step 2** Define corlists with the command **dial-peer cor list corlist-name**.
- Step 3** Associate corlists with existing VoIP or POTS dial-peers by using the command **corlist {incoming | outgoing} corlist-name** within the dial-peer configuration.
-

With Cisco IOS Release 12.2(8)T and later, you can apply the COR functionality to SRST-controlled IP phones. Because IP phones register with the SRST router dynamically, SRST has no prior knowledge of the individual phones until they lose connectivity to the Unified CM cluster. Therefore, the COR feature configuration for SRST is based on the phone DNs instead. When the IP phones register with the SRST router, they communicate their DN to it, thus allowing the SRST router to assign them to the appropriate corlist.

Configure COR for IP phones controlled by SRST by using the command **cor {incoming | outgoing} corlist-name {corlist-number starting-number – ending-number | default}** within the **call-manager-fallback** configuration mode.

The following limitations apply to this command:

- The maximum number of **cor {incoming | outgoing}** statements under **call-manager-fallback** is 5 (plus the default statement) in SRST version 2.0, available on Cisco IOS Release 12.2(8)T or later.
- The maximum number of **cor {incoming | outgoing}** statements under **call-manager-fallback** is 20 (plus the default statement) in SRST version 3.0, available on Cisco IOS Release 12.3(4)T or later.

The COR functionality can also be deployed with Cisco Unified Communications Manager Express (Unified CME), using Cisco IOS Release 12.2(8)T and later. Because the individual IP phones are specifically configured within Unified CME, you can apply corlists directly to the IP phones themselves by using the command **cor {incoming | outgoing} corlist-name** within the **ephone-dn dn-tag** configuration mode of each IP phone.

Refer to the section on [Building Classes of Service in Cisco IOS with H.323](#), page 9-71, for an example of how to apply all these concepts in practice.

For more details on configuration of Cisco SRST and Unified CME, refer to the *Cisco SRST System Administrator Guide* and the *Cisco Unified Communications Manager Express System Administrator Guide*, both available at

<http://www.cisco.com>

Digit Manipulation in Cisco IOS with H.323 Dial Peers

In Cisco IOS routers running H.323, digit manipulation is performed via voice translation profiles, which are used to manipulate the calling number (ANI) or called number (DNIS) digits for a voice call or to change the numbering type of a call.

Voice translation profiles are available starting with Cisco IOS Release 12.2(11)T, and they are used to convert a telephone number into a different number before the call is matched to an incoming dial peer or before the call is forwarded by the outgoing dial peer. For example, within your company you might dial a five-digit extension to reach an employee at another site. If the call is routed through the PSTN to reach the other site, the originating gateway must use voice translation profiles to convert the five-digit extension into the ten-digit format that is recognized by the central office switch.

You configure voice translation profiles by using the **voice translation-rule** and **voice translation-profile** Cisco IOS commands, which use regular expressions to define the digit strings to be modified. You then specify if the manipulations should be associated to calling numbers, called numbers, or redirected called numbers. After you define a voice translation profile, you can apply it to any of the following elements:

- All incoming POTS call legs that terminate on a specific voice port
- All incoming VoIP call legs into the router
- Outgoing call legs associated with a specific VoIP or POTS dial peer
- All incoming or outgoing call legs that terminate on the IP phones controlled by SRST
- Incoming call legs for calls originated by all IP phones controlled by SRST

**Note**

Voice translation profiles using the **voice translation-rule** command replace and enhance the functionality previously provided by the **translation-rule** command. The syntax of the new command differs from that used by the old command. For more details, refer to **voice translation-rule** in the *Cisco IOS Voice Command Reference*, Release 12.2(11)T or later, available at <http://www.cisco.com>.

A typical application of voice translation profiles is to enable the preservation of on-net inter-site dialing habits from a branch site even when the IP WAN is unavailable and the router is running in SRST mode. For example, consider a simple deployment with a central site in San Jose and three remote sites in San Francisco, New York, and Dallas. [Table 9-10](#) shows the DID ranges and the internal site codes for this example.

Table 9-10 Example of DID Ranges and Site Codes for Translation Rule Application

	San Jose	San Francisco	New York	Dallas
DID Range	(408) 555-1XXX	(415) 555-1XXX	(212) 555-1XXX	(972) 555-1XXX
Site Code	1	2	3	4

Inter-site calls are normally placed across the IP WAN by dialing the on-net access code 8 followed by the one-digit site code and the four-digit extension of the called party. To preserve these dialing habits even when the IP WAN is down and Cisco SRST is active, the internal numbers must be converted back into the E.164 numbers before being sent to the PSTN. A sample configuration for the San Francisco router is as follows:

```
voice translation-rule 1
  rule 1 /^81/ /91408555/
  rule 2 /^83/ /91212555/
  rule 3 /^84/ /91972555/

voice translation-profile on-net-xlate
  translate called 1

call-manager-fallback
  translation-profile outgoing on-net-xlate

dial-peer voice 2 pots
  destination-pattern 91[2-9]..[2-9].....
  port 1/0:0
  direct-inward-dial
  forward-digits 11
```

With this configuration, when the San Francisco site is in SRST mode and a user dials 831000, the router will match **rule 2** of **voice translation-rule 1** and translate the called number to 912125551000. This new number will then be used to match the outgoing dial peer (**dial-peer voice 2**).

For a detailed description of dial peers and their configuration, refer to *Configuring Dial Plans, Dial Peers, and Digit Manipulation*, part of the *Cisco IOS Voice, Video, and Fax Configuration Guide, Release 12.2*, available at

<http://www.cisco.com>

For a thorough explanation of regular expression syntax in Cisco IOS, refer to the information on *Regular Expressions* in the *Cisco IOS Terminal Services Configuration Guide*, available at

http://www.cisco.com/en/US/docs/ios/termserv/configuration/guide/tsv_reg_express_ps6441_TSD_Products_Configuration_Guide_Chapter.html

Service Advertisement Framework (SAF) Call Control Discovery (CCD)

This section highlights some aspects of the Cisco Service Advertisement Framework (SAF) Call Control Discovery (CCD) service configuration in Unified CM and related Unified Communications subsystems. For more details on this subject, refer to the section on [Call Routing and Dial Plan Distribution Using Call Control Discovery for the Service Advertisement Framework, page 5-52](#), and to the latest version of the *Cisco Unified Communications Manager Administration Guide*, available at

http://www.cisco.com/en/US/products/sw/voicew/ps556/prod_maintenance_guides_list.html

By participating in the framework as a CCD advertiser, a Unified CM cluster injects information into the network about the DN ranges it hosts. This information is sent to a Service Advertisement Framework Forwarder (SAF Forwarder), which learns the new routes and shares them with other participating SAF Forwarders and CCD requestors in the network.

By participating in the framework as a CCD requestor, a Unified CM cluster learns the DN ranges advertised by other call agents in the network from a SAF Forwarder.

SAF Forwarders

SAF Forwarders are configured on Cisco IOS routers and require Cisco IOS Release 15.0(1) or higher. For more information on configuring SAF Forwarders, consult the *Cisco IOS Service Advertisement Framework Configuration Guide*, available at

http://www.cisco.com/en/US/products/ps10591/products_installation_and_configuration_guides_list.html

SAF Forwarder Configuration

Within Unified CM, you need to configure both a SAF Security Profile (**Advanced Features > SAF > SAF Security Profile**) and a SAF Forwarder (**Advanced Features > SAF > SAF Forwarder**).

The SAF Security Profile configuration page in Unified CM features User Name and User Password fields. These entries must match the SAF Forwarder configuration in the Cisco IOS command line interface (CLI).

Also, the Unified CM Client Label as configured under the SAF Forwarder configuration page must match one of the external-client statements from the SAF Forwarder's CLI configuration. For example:

```
router eigrp
  service-family ipv4 autonomous-system 1
  !
  topology base
```

```

    external-client sample_client_label
    exit-sf-topology
    exit-service-family
!

service-family external-client listen ipv4 5050
    external-client sample_client_label
    username sample_user_name
    password sample_user_password
    keepalive 10000
!
```

For more details, refer to the Cisco IOS *Service Advertisement Framework Configuration Guide*, available at

http://www.cisco.com/en/US/products/ps10591/products_installation_and_configuration_guides_list.html

Requesting Service

The SAF CCD learned DN ranges are populated in a dedicated CCD call routing partition in the requesting cluster. Learned DN ranges are associated with one or more CCD trunks. Calls made to CCD learned DN ranges are placed through CCD trunks associated with the requesting service. The association of CCD trunks with the requesting service is done through the Selected SAF Trunks filed under the CCD Requesting Service Info page in Unified CM, located under **Call Routing > Call Control Discovery > Requesting Service**.

The CCD records exchanged between a cluster and a SAF Forwarder include information about the DN range, the IP address of the call agent node hosting the DN range, the digit manipulation rules to adapt a DN when rerouting the call to the PSTN, and the IP signaling protocol required to call this DN range.

For example, Cluster A hosts DN range 8555XXXX, whose corresponding DID range on the PSTN is +141555XXXX. The IP address of the Cluster A subscriber associated with the CCD trunk designated to receive IP calls for this DN range is 10.1.1.1. The protocol required to reach this DN range is SIP. The CCD record associated with this DN range can be represented as follows:

DN Range	ToDID	IP	Protocol
8555XXXX	1:+1415	10.1.1.1	SIP

- DN range

If a user dials 85551234, a match would be made on 8555XXXX and a call to 85551234 would be extended to the cluster that advertised the pattern.

- ToDID

This field represents the rules allowing the DN range to be reached across the PSTN. If a user dials 85551234 and the call cannot be routed through a CCD trunk, the ToDID rules are applied and the destination number is transformed to a form compatible to the PSTN. For example, the rule 1:+1415 applied to the range 8555XXXX would require the removal of one digit and the prefixing of +1415. The resulting +1415551234 would allow routing of the call to any gateway in the cluster of origin, provided that it is provisioned to route calls in the +E.164 form and that gateways are provisioned with appropriate called party transformation patterns to adapt the globalized +E.164 form of the number to a localized form acceptable to the PSTN carrier.

- IP
The IP address of the destination DN's hosting call agent node is used when placing a call across the associated CCD trunk, in the cluster of origin.
- Protocol
In this case, SIP is the protocol advertised by the call agent hosting the DN range. The other possible choice is H.323.

To view which SAF CCD records were discovered by a particular cluster, use the Cisco Unified CM Real-Time Monitoring Tool (RTMT). It offers information about the discovered DN ranges as well as information about the SAF Forwarder associations with the cluster.

Dial Plan Considerations for Business Edition 3000

Cisco Business Edition 3000 comes with a highly simplified front end with a drawer user interface (GUI). New concepts such as Site and Usage profiles have been introduced. Although the underlying concept of dial plan still remains the same with the line/device approach and calling search spaces, Business Edition 3000 implements the dial plan by using the concepts of sites and profiles. The calling privileges at the device level are defined by the Site, and restrictions to the calling privileges at line level are defined by the Usage profile, as follows:

- Site
Site represent the geographic grouping of endpoints, including phones, users, gateways, and so forth. Privileges are given to a Site, which define the highest level of calling privileges each user at that site can achieve. This does not mean that every user will have those privileges; instead, the privileges govern the capability of each location to make calls. For example, a location can have calling privileges to dial international numbers, but that does not necessarily mean that every user at the site can make international calls.
- Usage profile
A usage profile allows the system administrator to configure most of the user settings for a phone in one place. The administrator can edit an existing usage profile, duplicate an existing usage profile to create a new profile, or add an entirely new usage profile. Each usage profile has a unique name. After configuring usage profiles, the system administrator can assign them to users or to departments, so that the settings in the usage profile apply to the phones that belong to an individual user or to an entire department.

In the Usage profile, you can configure calling privileges for users; phone features such as barge, Cisco Extension Mobility, and so on; phone hardware functionality; phone applications that may display on the phone; and the phone button template, which controls the order of the buttons and the feature buttons that display on the phone.



Note

Cisco Business Edition 3000 supports a maximum of 10 usage profiles.

The combination of Site privileges and Usage calling privileges define the actual capability for a user to dial numbers. For example, a Site can be allocated privileges to dial international calls as the highest level of calling, which essentially means that users can dial any number including international, long distance, and local calls. But if a user is attached to a usage profile that limits the dialing privilege to local calls only, then that user will be able to dial only local calls even though the site has privileges to dial international calls.

As another example, assume that the user is associated to a Usage profile and a Site that both have calling privileges to dial international calls. If this user moves to another site where the Site level privileges are limited to dialing local calls only, then this user will not be able to dial beyond local calls because the current site level calling privileges do not allow it.

Essentially, the lower of the Site level calling privileges and the Usage profile calling privileges determines the calling privileges for a user.

Translation Rules

Translation rules allow Cisco Business Edition 3000 to manipulate an incoming phone number that is part of your system and transform it to an extension before routing the call. Any call coming into the system or generated by IP phones is matched against the configured translation rule, and if the number matches, the translation is performed.

**Note**

Support for wild cards in translation rules is not available with Business Edition 3000.

Logical Partitioning

Every phone is associated to a site based upon the IP address configured on the phone. Every site is mapped to one or more subnet(s). If the phone IP address lies within one of those subnets, then the phone belongs to the site to which that subnet is mapped. If the phone acquires an IP address that is not defined in the system, then phone is assumed to be part of the central site. However, if a teleworker site is configured, then any phone whose configured IP address does not lie within one of the configured subnets will be assumed to be a teleworker phone.

The configured sites provide support for logical partitioning. While configuring sites, the administrator is required to configure the PSTN privileges. If access to the central site PSTN is not configured, the users at a remote site will not be allowed to be part of any conversation where a PSTN call leg is involved. Also, the remote site phones will not be able to initiate PSTN calls.

