



Ultra M Solutions Guide, Release 6.8

First Published: 2019-06-27

Americas Headquarters

Cisco Systems, Inc.
170 West Tasman Drive
San Jose, CA 95134-1706
USA
<http://www.cisco.com>
Tel: 408 526-4000
800 553-NETS (6387)
Fax: 408 527-0883

THE SPECIFICATIONS AND INFORMATION REGARDING THE PRODUCTS IN THIS MANUAL ARE SUBJECT TO CHANGE WITHOUT NOTICE. ALL STATEMENTS, INFORMATION, AND RECOMMENDATIONS IN THIS MANUAL ARE BELIEVED TO BE ACCURATE BUT ARE PRESENTED WITHOUT WARRANTY OF ANY KIND, EXPRESS OR IMPLIED. USERS MUST TAKE FULL RESPONSIBILITY FOR THEIR APPLICATION OF ANY PRODUCTS.

THE SOFTWARE LICENSE AND LIMITED WARRANTY FOR THE ACCOMPANYING PRODUCT ARE SET FORTH IN THE INFORMATION PACKET THAT SHIPPED WITH THE PRODUCT AND ARE INCORPORATED HEREIN BY THIS REFERENCE. IF YOU ARE UNABLE TO LOCATE THE SOFTWARE LICENSE OR LIMITED WARRANTY, CONTACT YOUR CISCO REPRESENTATIVE FOR A COPY.

The Cisco implementation of TCP header compression is an adaptation of a program developed by the University of California, Berkeley (UCB) as part of UCB's public domain version of the UNIX operating system. All rights reserved. Copyright © 1981, Regents of the University of California.

NOTWITHSTANDING ANY OTHER WARRANTY HEREIN, ALL DOCUMENT FILES AND SOFTWARE OF THESE SUPPLIERS ARE PROVIDED "AS IS" WITH ALL FAULTS. CISCO AND THE ABOVE-NAMED SUPPLIERS DISCLAIM ALL WARRANTIES, EXPRESSED OR IMPLIED, INCLUDING, WITHOUT LIMITATION, THOSE OF MERCHANTABILITY, FITNESS FOR A PARTICULAR PURPOSE AND NON-INFRINGEMENT OR ARISING FROM A COURSE OF DEALING, USAGE, OR TRADE PRACTICE.

IN NO EVENT SHALL CISCO OR ITS SUPPLIERS BE LIABLE FOR ANY INDIRECT, SPECIAL, CONSEQUENTIAL, OR INCIDENTAL DAMAGES, INCLUDING, WITHOUT LIMITATION, LOST PROFITS OR LOSS OR DAMAGE TO DATA ARISING OUT OF THE USE OR INABILITY TO USE THIS MANUAL, EVEN IF CISCO OR ITS SUPPLIERS HAVE BEEN ADVISED OF THE POSSIBILITY OF SUCH DAMAGES.

Any Internet Protocol (IP) addresses and phone numbers used in this document are not intended to be actual addresses and phone numbers. Any examples, command display output, network topology diagrams, and other figures included in the document are shown for illustrative purposes only. Any use of actual IP addresses or phone numbers in illustrative content is unintentional and coincidental.

All printed copies and duplicate soft copies of this document are considered uncontrolled. See the current online version for the latest version.

Cisco has more than 200 offices worldwide. Addresses and phone numbers are listed on the Cisco website at www.cisco.com/go/offices.

Cisco and the Cisco logo are trademarks or registered trademarks of Cisco and/or its affiliates in the U.S. and other countries. To view a list of Cisco trademarks, go to this URL: [www.cisco.com go trademarks](http://www.cisco.com/go/trademarks). Third-party trademarks mentioned are the property of their respective owners. The use of the word partner does not imply a partnership relationship between Cisco and any other company. (1721R)

© 2019 Cisco Systems, Inc. All rights reserved.



CONTENTS

PREFACE

| | |
|-----------------------------------|-------------|
| About This Guide | vii |
| Conventions Used | vii |
| Supported Documents and Resources | viii |
| Related Documentation | viii |
| Obtaining Documentation | viii |
| Contacting Customer Support | ix |

CHAPTER 1

| | |
|-----------------------------|----------|
| Ultra M Overview | 1 |
| VNF Support | 1 |
| Ultra M Model(s) | 1 |
| Functional Components | 2 |
| Virtual Machine Allocations | 3 |
| VM Resource Requirements | 4 |

CHAPTER 2

| | |
|---------------------------------|-----------|
| Hardware Specifications | 5 |
| Cisco Catalyst Switches | 5 |
| Catalyst C2960XR-48TD-I Switch | 5 |
| Catalyst 3850-48T-S Switch | 5 |
| Cisco Nexus Switches | 6 |
| Nexus 93180-YC-EX | 6 |
| Nexus 9236C | 6 |
| Nexus 9364C | 7 |
| UCS C-Series Servers | 7 |
| Server Functions and Quantities | 7 |
| VM Deployment per Node Type | 9 |
| Server Configurations | 10 |

Storage 11

| | | |
|------------------|--------------------------------|-----------|
| CHAPTER 3 | Software Specifications | 13 |
| | Required Software | 13 |

| | | |
|------------------|---|-----------|
| CHAPTER 4 | Networking Overview | 15 |
| | UCS-C240 Network Interfaces | 15 |
| | VIM Network Topology | 17 |
| | Openstack Tenant Networking | 19 |
| | VNF Tenant Networks | 20 |
| | Supporting Trunking on VNF Service ports | 22 |
| | Layer 1 Leaf and Spine Topology | 22 |
| | Hyper-converged Ultra M Single and Multi-VNF Model Network Topology | 22 |

| | | |
|------------------|---|-----------|
| CHAPTER 5 | Deploying the Ultra M Solution | 39 |
| | Deployment Workflow | 39 |
| | Plan Your Deployment | 40 |
| | Network Planning | 40 |
| | Install and Cable the Hardware | 40 |
| | Related Documentation | 40 |
| | Rack Layout | 40 |
| | Hyper-converged Ultra M XS Single VNF Deployment | 40 |
| | Hyper-converged Ultra M XS Multi-VNF Deployment | 42 |
| | Cable the Hardware | 43 |
| | Configure the Switches | 44 |
| | Prepare the UCS C-Series Hardware | 44 |
| | Prepare the Staging Server/Ultra M Manager Node | 45 |
| | Prepare the Controller Nodes | 45 |
| | Prepare the Compute Nodes | 47 |
| | Prepare the OSD Compute Nodes | 48 |
| | Deploy the Virtual Infrastructure Manager | 52 |
| | Deploy the VIM for Hyper-Converged Ultra M Models | 53 |
| | Deploy the USP-Based VNF | 53 |

| | | |
|-------------------|---|------------|
| CHAPTER 6 | Health Monitoring in the Ultra M Solution | 55 |
| | Syslog Proxy | 56 |
| | Configuring Syslog Proxy for UCS Server Hardware | 56 |
| | Configuring Syslog Proxy for OpenStack Services | 58 |
| | Configuring Syslogging for UAS Software Modules | 59 |
| | Configuring Syslog Proxy for the VNFM, UEM, and CF VNFCs | 60 |
| | Configuring Syslogging to an External Collection Server | 61 |
| | Manual ESC escmanager and mona Log Configuration | 63 |
| | Event Aggregation | 65 |
| | Configuring Fault Suppression | 75 |
| | Suppressing UCS Faults | 76 |
| | Suppressing UAS Faults | 77 |
| APPENDIX A | Network Definitions (Layer 2 and 3) | 81 |
| APPENDIX B | Ultra M MIB | 87 |
| APPENDIX C | Ultra M Component Event Severity and Fault Code Mappings | 95 |
| | OpenStack Events | 96 |
| | Component: Ceph | 96 |
| | Component: Cinder | 96 |
| | Component: Neutron | 96 |
| | Component: Nova | 97 |
| | Component: NTP | 97 |
| | Component: PCS | 97 |
| | Component: Rabbitmqctl | 98 |
| | Component: Services | 98 |
| | UCS Server Events | 100 |
| | UAS Events | 100 |
| | ESC VM Events | 101 |
| APPENDIX D | Ultra M Troubleshooting | 103 |
| | Ultra M Component Reference Documentation | 103 |

- UCS C-Series Server 103
- Nexus 9000 Series Switch 103
- Catalyst 2960 Switch 104
- Red Hat 105
- OpenStack 105
- UAS 105
- UGP 105
- Collecting Support Information 105
 - From UCS: 105
 - From Host/Server/Compute/Controller/Linux: 105
 - From Switches 106
 - From ESC (Active and Standby) 107
 - From UAS 107
 - From UEM (Active and Standby) 108
 - From UGP (Through StarOS) 109
- About Ultra M Manager Log Files 109

APPENDIX E **Using the UCS Utilities Within the Ultra M Manager 111**

- Overview 111
- Perform Pre-Upgrade Preparation 112
- Shutdown the ESC VMs 115
- Upgrade the Compute Node Server Software 116
- Upgrade the OSD Compute Node Server Software 119
- Restart the UAS and ESC (VNF) VMs 122
- Upgrade the Controller Node Server Software 122
- Upgrade Firmware on UCS Bare Metal 125
- Upgrade Firmware on the OSP-D Server/Ultra M Manager Node 130
- Controlling UCS BIOS Parameters Using `ultram_ucs_utils.py` Script 131

APPENDIX F **`ultram_ucs_utils.py` Help 135**

APPENDIX G **Sample FMD Configuration File 137**



About This Guide

This preface describes the *Ultra M Solution Guide*, how it is organized, and its document conventions.

Ultra M is a pre-packaged and validated virtualized mobile packet core solution designed to simplify the deployment of virtual network functions (VNFs).

- [Conventions Used, on page vii](#)
- [Supported Documents and Resources, on page viii](#)
- [Contacting Customer Support, on page ix](#)

Conventions Used

The following tables describe the conventions used throughout this documentation.

| Notice Type | Description |
|------------------|--|
| Information Note | Provides information about important features or instructions. |
| Caution | Alerts you of potential damage to a program, device, or system. |
| Warning | Alerts you of potential personal injury or fatality. May also alert you of potential electrical hazards. |

| Typeface Conventions | Description |
|--------------------------------------|--|
| Text represented as a screen display | This typeface represents displays that appear on your terminal screen, for example: Login: |
| Text represented as commands | This typeface represents commands that you enter, for example: show ip access-list This document always gives the full form of a command in lowercase letters. Commands are not case sensitive. |

| Typeface Conventions | Description |
|--|--|
| Text represented as a command <i>variable</i> | This typeface represents a variable that is part of a command, for example: show card <i>slot_number</i> <i>slot_number</i> is a variable representing the desired chassis slot number. |
| Text represented as menu or sub-menu names | This typeface represents menus and sub-menus that you access within a software application, for example: Click the File menu, then click New |

Supported Documents and Resources

Related Documentation

The most up-to-date information for the UWS is available in the product *Release Notes* provided with each product release.

The following common documents are available:

- *Ultra Gateway Platform System Administration Guide*
- *Ultra-M Deployment Guide*
- *Ultra Services Platform Deployment Automation Guide*
- *Ultra Services Platform NETCONF API Guide*
- *VPC-DI System Administration Guide*
- *StarOS Product-specific and Feature-specific Administration Guides*

Obtaining Documentation

Nephelo Documentation

The most current Nephelo documentation is available on the following website: http://nephelo.cisco.com/page_vPC.html

StarOS Documentation

The most current Cisco documentation is available on the following website: <http://www.cisco.com/cisco/web/psa/default.html>

Use the following path selections to access the StarOS documentation:

Products > Wireless > Mobile Internet > Platforms > Cisco ASR 5000 Series > Configure > Configuration Guides

Contacting Customer Support

Use the information in this section to contact customer support.

Refer to the support area of <http://www.cisco.com> for up-to-date product documentation or to submit a service request. A valid username and password are required to access this site. Please contact your Cisco sales or service representative for additional information.



CHAPTER 1

Ultra M Overview

Ultra M is a pre-packaged and validated virtualized mobile packet core solution designed to simplify the deployment of virtual network functions (VNFs).

The solution combines the Cisco Ultra Service Platform (USP) architecture, Cisco Validated OpenStack infrastructure, and Cisco networking and computing hardware platforms into a fully integrated and scalable stack. As such, Ultra M provides the tools to instantiate and provide basic lifecycle management for VNF components on a complete OpenStack virtual infrastructure manager.

- [VNF Support, on page 1](#)
- [Ultra M Model\(s\), on page 1](#)
- [Functional Components, on page 2](#)
- [Virtual Machine Allocations, on page 3](#)

VNF Support

In this release, Ultra M supports the Ultra Gateway Platform (UGP) VNF.

The UGP currently provides virtualized instances of the various 3G and 4G mobile packet core (MPC) gateways that enable mobile operators to offer enhanced mobile data services to their subscribers. The UGP addresses the scaling and redundancy limitations of VPC-SI (Single Instance) by extending the StarOS boundaries beyond a single VM. UGP allows multiple VMs to act as a single StarOS instance with shared interfaces, shared service addresses, load balancing, redundancy, and a single point of management.

Ultra M Model(s)

The Ultra M Extra Small (XS) model is currently available. It is based on OpenStack 10 and implements a Hyper-Converged architecture that combines the Ceph Storage and Compute node. The converged node is referred to as an OSD compute node.

This model includes 6 Active Service Functions (SFs) per VNF and is supported in deployments from 1 to 4 VNFs.

Functional Components

As described in [Hardware Specifications, on page 5](#), the Ultra M solution consists of multiple hardware components including multiple servers that function as controller, compute, and storage nodes. The various functional components that comprise the Ultra M are deployed on this hardware:

- **OpenStack Controller:** Serves as the Virtual Infrastructure Manager (VIM).



Important In this release, all VNFs in a multi-VNF Ultra M are deployed as a single “site” leveraging a single VIM.

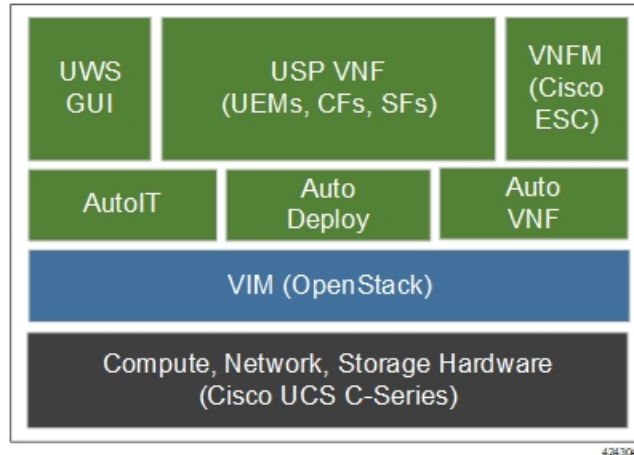
- **Ultra Automation Services (UAS):** A suite of tools provided to simplify the deployment process:
 - **AutoIT:** Automates the VIM Orchestrator and VIM installation processes and provides storage and management for system ISOs.
 - **AutoDeploy:** Initiates the deployment of the VNFM and VNF components through a single deployment script.
 - **AutoVNF:** Initiated by AutoDeploy, AutoVNF is directly responsible for deploying the VNFM and VNF components based on inputs received from AutoDeploy.
 - **Ultra Web Service (UWS):** The Ultra Web Service (UWS) provides a web-based graphical user interface (GUI) and a set of functional modules that enable users to manage and interact with the USP VNF.
- **Cisco Elastic Services Controller (ESC):** Serves as the Virtual Network Function Manager (VNFM).



Important ESC is the only VNFM supported in this release.

- **VNF Components:** USP-based VNFs are comprised of multiple components providing different functions:
 - **Ultra Element Manager (UEM):** Serves as the Element Management System (EMS, also known as the VNF-EM); it manages all of the major components of the USP-based VNF architecture.
 - **Control Function (CF):** A central sub-system of the UGP VNF, the CF works with the UEM to perform lifecycle events and monitoring for the UGP VNF.
 - **Service Function (SF):** Provides service context (user I/O ports), handles protocol signaling, session processing tasks, and flow control (demux).

Figure 1: Ultra M Components



Virtual Machine Allocations

Each of the Ultra M functional components are deployed on one or more virtual machines (VMs) based on their redundancy requirements as identified in [Table 1: Function VM Requirements per Ultra M Model, on page 3](#). Some of these component VMs are deployed on a single compute node as described in [VM Deployment per Node Type, on page 9](#). All deployment models use three OpenStack controllers to provide VIM layer redundancy and upgradability.

Table 1: Function VM Requirements per Ultra M Model

| Function(s) | Hyper-Converged | |
|--------------|-----------------|------------------------|
| | XS Single VNF | XS Multi VNF |
| OSP-D* | 1 | 1 |
| AutoIT** | 2 | 2 |
| AutoDeploy** | 2 | 2 |
| AutoVNF | 2 | 2 |
| ESC (VNFM) | 2 | 2 per NSD |
| UEM*** | 2 or 3 | 3 per VNF or 2 per NSD |
| CF | 2 | 2 per VNF |
| SF | 8 | 8 per VNF |

* OSP-D is deployed as a VM for Hyper-Converged Ultra M models.

** AutoIT and AutoDeploy each require 2 VMs when deployed in HA mode (recommended).

*** UEM VM requirement is dependent on VNFD configuration. It can be either 2 or 3 instances.

VM Resource Requirements

The CF, SF, UEM, and ESC VMs require the resource allocations identified in [Table 2: VM Resource Allocation, on page 4](#). The host resources are included in these numbers.

Table 2: VM Resource Allocation

| Virtual Machine | vCPU | RAM (GB) | Root Disk (GB) |
|--|------|----------|----------------|
| OSP-D* | 16 | 32 | 200 |
| AutoIT** | 2 | 8 | 80 |
| AutoDeploy** | 2 | 8 | 80 |
| AutoVNF | 2 | 4 | 40 |
| ESC | 2 | 4 | 40 |
| UEM | 2 | 4 | 40 |
| CF | 8 | 16 | 6 |
| SF | 24 | 96 | 4 |
| <p>Note 4 vCPUs, 2 GB RAM, and 54 GB root disks are reserved for host reservation.</p> <p>* OSP-D is deployed as a VM for Hyper-Converged Ultra M models. Though the recommended root disk size is 200GB, additional space can be allocated if available.</p> <p>** AutoIT is used to deploy the VIM Orchestrator (Undercloud) and VIM (Overcloud) for Hyper-Converged Ultra M models. AutoIT, AutoDeploy, and OSP-D are installed as VMs on the same physical server in this scenario.</p> | | | |



CHAPTER 2

Hardware Specifications

Ultra M deployments use the following hardware:



Note The specific component software and firmware versions identified in the sections that follow have been validated in this Ultra M solution release.

- [Cisco Catalyst Switches, on page 5](#)
- [Cisco Nexus Switches, on page 6](#)
- [UCS C-Series Servers, on page 7](#)

Cisco Catalyst Switches

Cisco Catalyst Switches provide as physical layer 1 switching for Ultra M components to the management and provisioning networks. One of two switch models is used based on the Ultra M model being deployed:

- [Catalyst C2960XR-48TD-I Switch, on page 5](#)
- [Catalyst 3850-48T-S Switch, on page 5](#)

Catalyst C2960XR-48TD-I Switch

The Catalyst C2960XR-48TD-I has 48 10/100/1000 ports.

Table 3: Catalyst 2960-XR Switch Information

| Ultra M Model(s) | Quantity | Software Version | Firmware Version |
|-----------------------|------------|------------------|-------------------------|
| Ultra M XS Single VNF | 2 | IOS 15.2.(2) E5 | Boot Loader: 15.2(3r)E1 |
| Ultra M XS Multi-VNF | 1 per rack | IOS 15.2.(2) E5 | Boot Loader: 15.2(3r)E1 |

Catalyst 3850-48T-S Switch

The Catalyst 3850 48T-S has 48 10/100/1000 ports.

Table 4: Catalyst 3850-48T-S Switch Information

| Ultra M Models | Quantity | Software Version | Firmware Version |
|-----------------------|------------|------------------|-------------------|
| Ultra M XS Single VNF | 2 | IOS: 03.06.06E | Boot Loader: 3.58 |
| Ultra M XS Multi-VNF | 1 per Rack | IOS: 03.06.06E | Boot Loader: 3.58 |

Cisco Nexus Switches

Cisco Nexus Switches serve as top-of-rack (TOR) leaf and end-of-rack (EOR) spine switches provide out-of-band (OOB) network connectivity between Ultra M components. Two switch models are used for the various Ultra M models:

- [Nexus 93180-YC-EX, on page 6](#)
- [Nexus 9236C , on page 6](#)
- [Nexus 9364C, on page 7](#)

Nexus 93180-YC-EX

Nexus 93180 switches serve as network leaves within the Ultra M solution. Each switch has 48 10/25-Gbps Small Form Pluggable Plus (SFP+) ports and 6 40/100-Gbps Quad SFP+ (QSFP+) uplink ports.

Table 5: Nexus 93180-YC-EX

| Ultra M Model(s) | Quantity | Software Version | Firmware Version |
|-----------------------|------------|--------------------|------------------|
| Ultra M XS Single VNF | 2 | NX-OS: 7.0(3)I7(3) | BIOS: 7.59 |
| Ultra M XS Multi-VNF | 2 per Rack | NX-OS: 7.0(3)I7(3) | BIOS: 7.59 |

Nexus 9236C

Nexus 9236 switches serve as network spines within the Ultra M solution. Each switch provides 36 10/25/40/50/100 Gbps ports.

The following table provides the Nexus switch recommendation for both Ultra M B1.0 and B1.1 models.

Table 6: Nexus 9236C

| Ultra M Model(s) | Quantity | Software Version | Firmware Version |
|-----------------------|----------|--|--|
| Ultra M XS Single VNF | 2 | For Ultra M B1.0 model — NX-OS: 7.0(3)I7(3) For Ultra M B1.1 model — NX-OS: 7.0(3)I7(4) | For Ultra M B1.0 model — BIOS: 7.59 For Ultra M B1.1 model — BIOS: 7.61 |
| Ultra M XS Multi-VNF | 2 | For Ultra M B1.0 model — NX-OS: 7.0(3)I7(3) For Ultra M B1.1 model — NX-OS: 7.0(3)I7(4) | For Ultra M B1.0 model — BIOS: 7.59 For Ultra M B1.1 model — BIOS: 7.61 |

Nexus 9364C

Nexus 9364 switches serve as network leaf within the Ultra M solution. Each switch provides 64 40-/100-Gigabit QSFP28 interface ports.

The following table provides the Nexus switch recommendation for the Ultra M B1.1 model.

Table 7: Nexus 9364C

| Ultra M Model(s) | Quantity | Software Version | Firmware Version |
|-----------------------|----------|--------------------|------------------|
| Ultra M XS Single VNF | 2 | NX-OS: 7.0(3)I7(4) | BIOS: 5.28 |
| Ultra M XS Multi-VNF | 2 | NX-OS: 7.0(3)I7(4) | BIOS: 5.28 |

UCS C-Series Servers

Cisco UCS C240 M4S SFF servers and host the functions and virtual machines (VMs) required by Ultra M.

Server Functions and Quantities

Server functions and quantity differ depending on the Ultra M model you are deploying:

- **Ultra M Manager Node:** Required only for Ultra M models based on the Hyper-Converged architecture, this server hosts the following:
 - AutoIT HA VMs
 - AutoDeploy HA VMs
 - OSP-D VM
- **OpenStack Controller Nodes:** These servers host the high availability (HA) cluster that serves as the VIM within the Ultra M solution. In addition, they facilitate the Ceph storage monitor function required by the Ceph Storage Nodes and/or OSD Compute Nodes.

- **OSD Compute Nodes:** Required only for Hyper-converged Ultra M models, these servers provide Ceph storage functionality in addition to hosting VMs for the following:
 - AutoVNF HA VMs
 - Elastic Services Controller (ESC) Virtual Network Function Manager (VNFM) active and standby VMs
 - Ultra Element Manager (UEM) VM HA cluster
 - Ultra Service Platform (USP) Control Function (CF) active and standby VMs
- **Compute Nodes:** For all Ultra M models, these servers host the active, standby, and demux USP Service Function (SF) VMs.

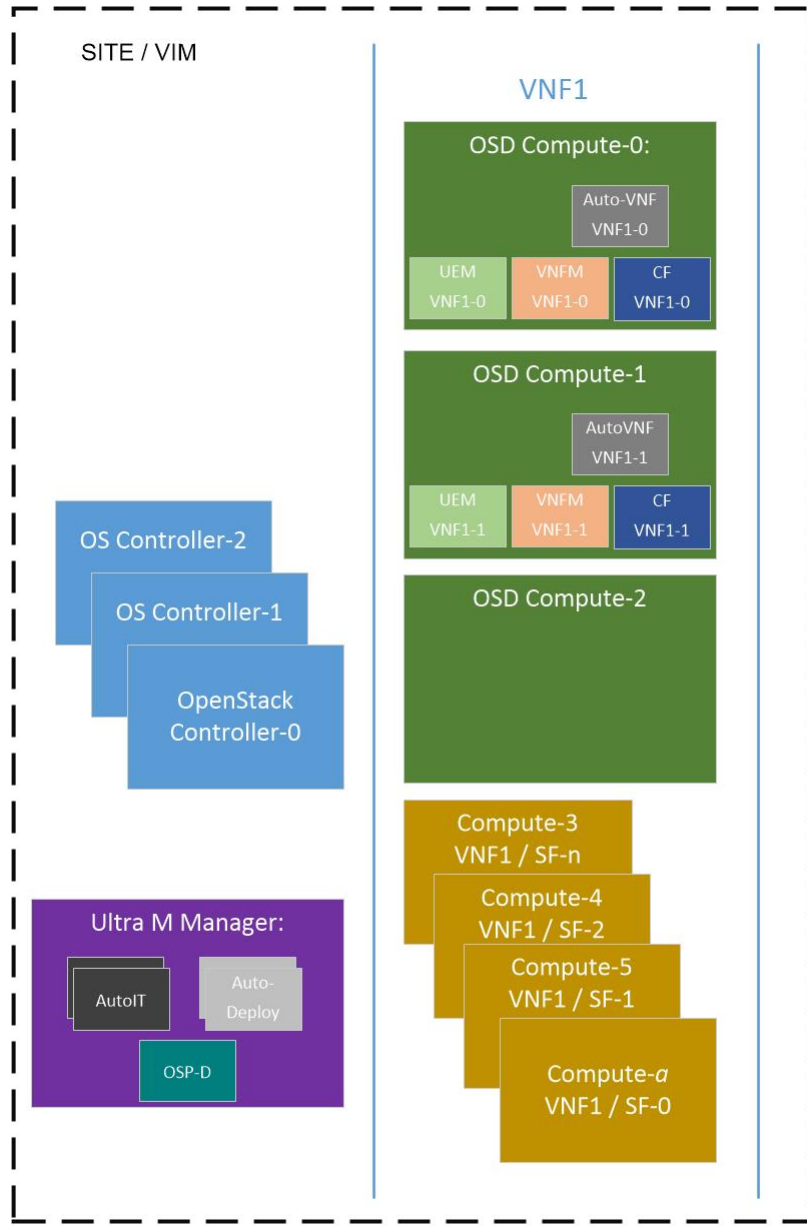
Table 8: Ultra M Server Quantities by Model and Function

| Ultra M Model(s) | Server Quantity (max) | Ultra M Manager Node | Controller Nodes | OSD Compute Nodes | Compute Nodes (max) | Additional Specifications |
|-----------------------|-----------------------|----------------------|------------------|-------------------|---------------------|---|
| Ultra M XS Single VNF | 14 | 1 | 3 | 3 | 7 | Based on node type as described in Table 9: Hyper-Converged Ultra M Single and Multi-VNF UCS C240 M4 Server Specifications by Node Type , on page 10. |
| Ultra M XS Multi-VNF | 45 | 1 | 3 | 3 | 38* | Based on node type as described in Table 9: Hyper-Converged Ultra M Single and Multi-VNF UCS C240 M4 Server Specifications by Node Type , on page 10. |

* Supports a maximum of 4 VNFs – 8 for the first VNF, 10 for each subsequent VNF.

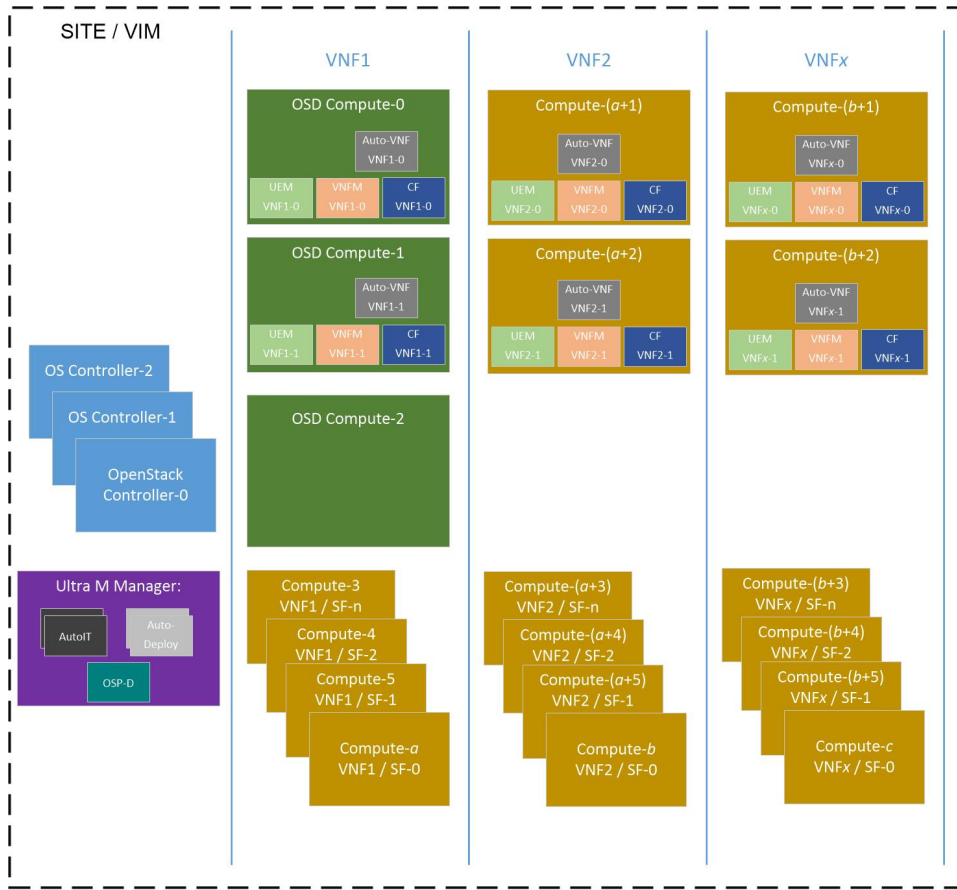
VM Deployment per Node Type

Figure 2: VM Distribution on Server Nodes for Hyper-converged Ultra M Single VNF Models



427760

Figure 3: VM Distribution on Server Nodes for Hyper-converged Ultra M Multi-VNF Models



427759

Server Configurations

Table 9: Hyper-Converged Ultra M Single and Multi-VNF UCS C240 M4 Server Specifications by Node Type

| Node Type | CPU | RAM | Storage | Software Version | Firmware Version |
|-----------------------|-------------|---------------------------------------|--------------------------|------------------|---|
| Ultra M Manager Node* | 2x 2.60 GHz | 4x 32GB DDR4-2400-MHz RDIMM/PC4 | 2x 1.2 TB 12G SAS HDD | MLOM: 4.1(3f) | CIMC: 3.0(4d) System BIOS: C240M4.3.0.4a.0.0226182314 |
| Controller | 2x 2.60 GHz | 4x 32GB DDR4-2400-MHz RDIMM/PC4 | 2x 1.2 TB 12G SAS HDD | MLOM: 4.1(3f) | CIMC: 3.0(4d) System BIOS: C240M4.3.0.4a.0.0226182314 |
| Compute | 2x 2.60 GHz | 8x 32GB DDR4-2400-MHz RDIMM/PC4 | 2x 1.2 TB 12G SAS HDD | MLOM: 4.1(3f) | CIMC: 3.0(4d) System BIOS: C240M4.3.0.4a.0.0226182314 |

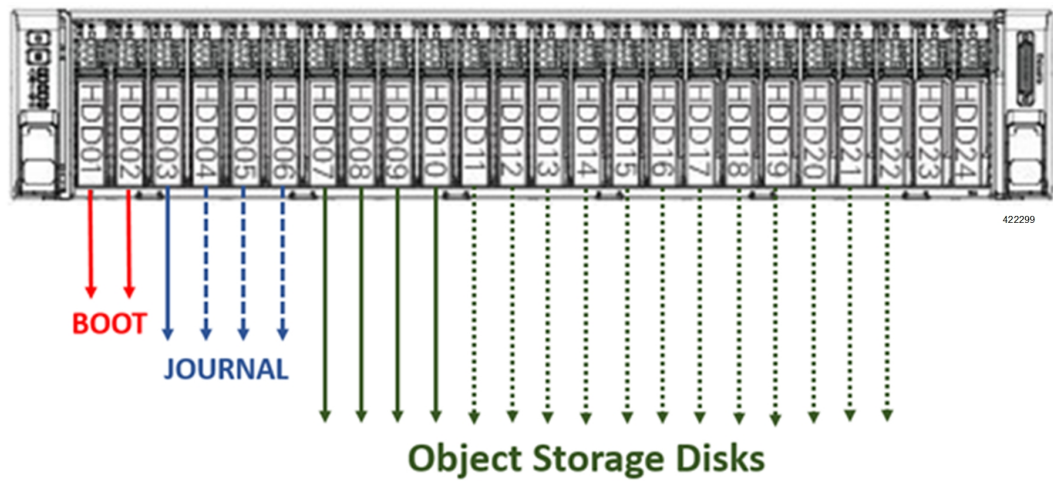
| Node Type | CPU | RAM | Storage | Software Version | Firmware Version |
|-------------|-------------|---------------------------------------|--|------------------|---|
| OSD Compute | 2x 2.60 GHz | 8x 32GB DDR4-2400-MHz RDIMM/PC4 | 4x 1.2 TB 12G SAS HDD 2x 300G 12G SAS HDD HDD 1x 480G 6G SAS SATA SSD | MLOM: 4.1(3f) | CIMC: 3.0(4d) System BIOS: C240M4.3.0.4a.0.0226182314 |

* OSP-D is deployed as a VM on the Ultra M Manager Node for Hyper-Converged Ultra M model(s).

Storage

Figure 4: UCS C240 Front-Plane, on page 11 displays the storage disk layout for the UCS C240 series servers used in the Ultra M solution.

Figure 4: UCS C240 Front-Plane



NOTES:

- The Boot disks contain the operating system (OS) image with which to boot the server.
- The Journal disks contain the Ceph journal file(s) used to repair any inconsistencies that may occur in the Object Storage Disks.
- The Object Storage Disks store object data for USP-based VNFs.
- Ensure that the HDD and SSD used for the Boot Disk, Journal Disk, and object storage devices (OSDs) are available as per the Ultra M BoM and installed in the appropriate slots as identified in [Table 10: UCS C240 M4S SFF Storage Specifications by Node Type, on page 12](#).

Table 10: UCS C240 M4S SFF Storage Specifications by Node Type

| | |
|--|--|
| Ultra M Manager Node and Staging Server: | 2 x 1.2 TB HDD – For Boot OS configured as Virtual Drive in RAID1 – placed on Slots 1 & 2 |
| Controllers, Computes: | 2 x 1.2 TB HDD – For Boot OS configured as Virtual Drive in RAID1 – placed on Slots 1 & 2 |
| OSD Computes: | 2 x 300 GB HDD – For Boot OS configured as Virtual Drive in RAID1 – placed on Slots 1 & 2 1 x 480 GB SSD – For Journal Disk as Virtual Drive in RAID0 – Slot 3 (Reserve for SSD Slot 3,4,5,6 future scaling needs) 4 x 1.2 TB HDD – For OSD's configured as Virtual Drive in RAID0 each – Slot 7,8,9,10 (Reserve for OSD 7,8,9,10.....,24) |

- Ensure that the RAIDs are sized such that:

Boot Disks < Journal Disk(s) < OSDs

- Ensure that FlexFlash is disabled on each UCS-C240 M4 (default Factory).
- Ensure that all nodes are in *Unconfigured Good* state under **Cisco SAS RAID Controllers** (factory default).



CHAPTER 3

Software Specifications

- [Required Software, on page 13](#)

Required Software

Table 11: Required Software

| Software | Value/Description |
|------------------|---|
| Operating System | In releases prior to 6.0: Red Hat Enterprise Linux 7.3 In 6.0 through 6.2.x releases: Red Hat Enterprise Linux 7.4 In 6.2.bx, 6.3 and later releases: Red Hat Enterprise Linux 7.5 |
| Hypervisor | Qemu (KVM) |
| VIM | Hyper-converged Ultra M Single and Multi-VNF Models: Red Hat OpenStack Platform 10 (OSP 10 - Newton) |
| VNF | In releases prior to 6.0: StarOS release 21.4 In releases 6.0 and 6.1: StarOS release 21.6 In release 6.2.x: StarOS release 21.8 In release 6.2.bx: StarOS release 21.6.x In release 6.3: StarOS release 21.9 In release 6.4: StarOS release 21.10 In release 6.5: StarOS release 21.11 In release 6.6: StarOS release 21.12 In release 6.7: StarOS release 21.13 In release 6.8: StarOS release 21.14 |

| Software | Value/Description |
|----------|--|
| VNFM | <p>In releases prior to 6.0: ESC 3.1.0.116</p> <p>In releases 6.0 and 6.1: ESC 3.1.0.145</p> <p>In release 6.2: ESC 4.0.0.104</p> <p>In release 6.3: ESC 4.2</p> <p>In release 6.4 and 6.5: ESC 4.3.0.121</p> <p>In release 6.6 and 6.7: ESC 4.4.0.88</p> <p>In release 6.8 and later: ESC 4.5.0.112</p> |
| UEM | <p>In releases prior to 6.0: UEM 5.7</p> <p>In releases 6.0 and 6.1: UEM 6.0</p> <p>In release 6.2: UEM 6.2</p> <p>In release 6.3: UEM 6.3</p> <p>In release 6.4: UEM 6.4</p> <p>In release 6.5: UEM 6.5</p> <p>In release 6.6: UEM 6.6</p> <p>In release 6.7: UEM 6.7</p> <p>In release 6.8: UEM 6.8</p> |
| USP | <p>In releases prior to 6.0: USP 5.7</p> <p>In releases 6.0 and 6.1: USP 6.0</p> <p>In release 6.2: USP 6.2.x/6.2.bx</p> <p>In release 6.3: USP 6.3</p> <p>In release 6.4: USP 6.4</p> <p>In release 6.5: USP 6.5</p> <p>In release 6.6: USP 6.6</p> <p>In release 6.7: USP 6.7</p> <p>In release 6.8: USP 6.8</p> |



CHAPTER 4

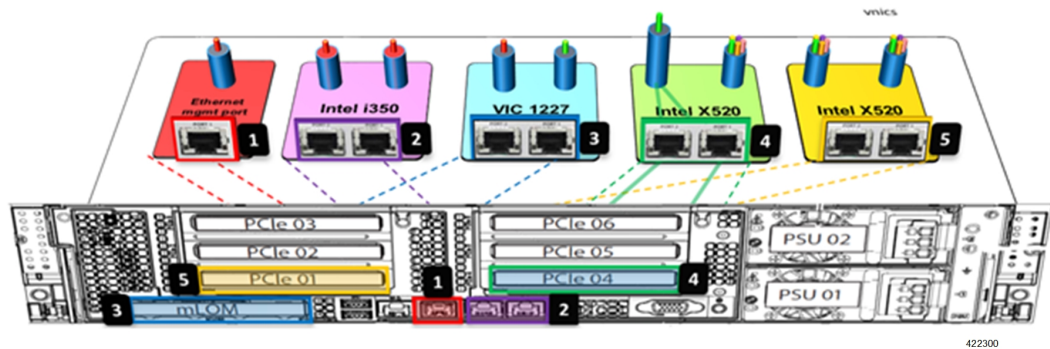
Networking Overview

This section provides information on Ultra M networking requirements and considerations.

- [UCS-C240 Network Interfaces](#) , on page 15
- [VIM Network Topology](#), on page 17
- [Openstack Tenant Networking](#), on page 19
- [VNF Tenant Networks](#), on page 20
- [Layer 1 Leaf and Spine Topology](#), on page 22

UCS-C240 Network Interfaces

Figure 5: UCS-C240 Back-Plane



| Number | Designation | Description | Applicable Node Types |
|--------|-------------|--|-----------------------|
| 1 | CIMC/IPMI/M | The server's <i>Management</i> network interface used for accessing the UCS Cisco Integrated Management Controller (CIMC) application, performing Intelligent Platform Management Interface (IPMI) operations. | All |

| Number | Designation | Description | Applicable Node Types |
|--|--------------------------------------|--|--|
| 2 | Intel Onboard | Port 1: VIM Orchestration (Undercloud) <i>Provisioning</i> network interface. | All |
| | | Port 2: <i>External</i> network interface for Internet access. It must also be routable to External floating IP addresses on other nodes. | Ultra M Manager Node Staging Server |
| 3 | Modular LAN on Motherboard (mLOM) | VIM networking interfaces used for: | |
| | | • External floating IP network. | Controller |
| | | • Internal API network | Controller |
| | | • Storage network | Controller Compute OSD Compute Ceph |
| | | • Storage Management network | Controller Compute OSD Compute Ceph |
| • Tenant network (virtio only – VIM provisioning, VNF Management, and VNF Orchestration) | Controller Compute OSD Compute | | |
| 4 | PCIe 4 | Port 1: With NIC bonding enabled, this port provides the active Service network interfaces for VNF ingress and egress connections. | Compute |
| | | Port 2: With NIC bonding enabled, this port provides the standby <i>Di-internal</i> network interface for inter-VNF component communication. | Compute OSD Compute |
| 5 | PCIe 1 | Port 1: With NIC bonding enabled, this port provides the active <i>Di-internal</i> network interface for inter-VNF component communication. | Compute OSD Compute |
| | | Port 2: With NIC bonding enabled, this port provides the standby Service network interfaces for VNF ingress and egress connections. | Compute |

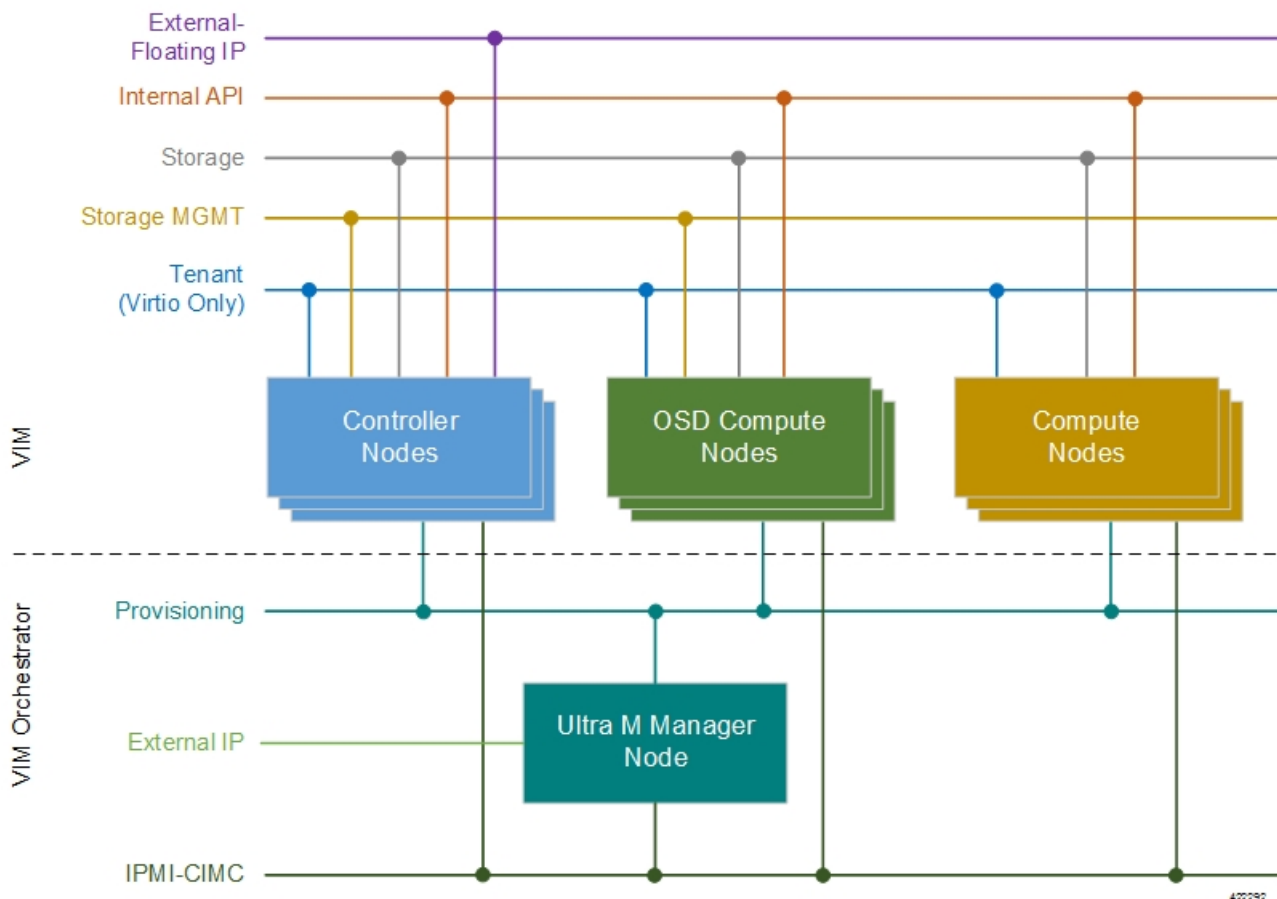
VIM Network Topology

Ultra M's VIM is based on the OpenStack project TripleO ("OpenStack-On-OpenStack") which is the core of the OpenStack Platform Director (OSP-D). TripleO allows OpenStack components to install a fully operational OpenStack environment.

Two cloud concepts are introduced through TripleO:

- **VIM Orchestrator (Undercloud):** The VIM Orchestrator is used to bring up and manage the VIM. Though OSP-D and Undercloud are sometimes referred to synonymously, the OSP-D bootstraps the Undercloud deployment and provides the underlying components (e.g. Ironic, Nova, Glance, Neutron, etc.) leveraged by the Undercloud to deploy the VIM. Within the Ultra M Solution, OSP-D and the Undercloud are hosted on the same server.
- **VIM (Overcloud):** The VIM consists of the compute, controller, and storage nodes on which the VNFs are deployed.

Figure 6: Hyper-converged Ultra M Single and Multi-VNF Model OpenStack VIM Network Topology



Some considerations for VIM Orchestrator and VIM deployment are as follows:

- External network access (e.g. Internet access) can be configured in one of the following ways:

- Across all node types: A single subnet is configured on the Controller HA, VIP address, floating IP addresses and OSP-D/Staging server's external interface provided that this network is data-center routable as well as it is able to reach the internet.
- Limited to OSP-D: The *External IP* network is used by Controllers for HA and Horizon dashboard as well as later on for Tenant Floating IP address requirements. This network must be data-center routable. In addition, the *External IP* network is used only by OSP-D/Staging Server node's external interface that has a single IP address. The *External IP* network must be lab/data-center routable must also have internet access to Red Hat cloud. It is used by OSP-D/Staging Server for subscription purposes and also acts as an external gateway for all controllers, computes and Ceph-storage nodes.
- IPMI must be enabled on all nodes.
- Two networks are needed to deploy the VIM Orchestrator:
 - IPMI/CIMC Network
 - Provisioning Network
- The OSP-D/Staging Server must have reachability to both IPMI/CIMC and Provisioning Networks. (VIM Orchestrator networks need to be routable between each other or have to be in one subnet.)
- DHCP-based IP address assignment for Introspection PXE from Provisioning Network (Range A)
- DHCP based IP address assignment for VIM PXE from Provisioning Network (Range B) must be separate from Introspection.
- The Ultra M Manager Node/Staging Server acts as a gateway for Controller, Ceph and Computes. Therefore, the external interface of this node/server needs to be able to access the Internet. In addition, this interface needs to be routable with the Data-center network. This allows the External interface IP-address of the Ultra M Manager Node/Staging Server to reach Data-center routable Floating IP addresses as well as the VIP addresses of Controllers in HA Mode.
- Prior to assigning floating and virtual IP addresses, make sure that they are not already allocated through OpenStack. If the addresses are already allocated, then they must be freed up for use or you must assign a new IP address that is available in the VIM.
- Multiple VLANs are required in order to deploy OpenStack VIM:
 - 1 for the Management and Provisioning networks interconnecting all the nodes regardless of type
 - 1 for the Staging Server/OSP-D Node external network
 - 1 for Compute, Controller, and Ceph Storage or OSD Compute Nodes
 - 1 for Management network interconnecting the Leafs and Spines
- Login to individual Compute nodes will be from OSP-D/Staging Server using heat user login credentials. The OSP-D/Staging Server acts as a "jump server" where the br-ctlplane interface address is used to login to the Controller, Ceph or OSD Computes, and Computes post VIM deployment using heat-admin credentials.

Layer 1 networking guidelines for the VIM network are provided in [Layer 1 Leaf and Spine Topology, on page 22](#). In addition, a template is provided in [Network Definitions \(Layer 2 and 3\), on page 81](#) to assist you with your Layer 2 and Layer 3 network planning.

Openstack Tenant Networking

The interfaces used by the VNF are based on the PCIe architecture. Single root input/output virtualization (SR-IOV) is used on these interfaces to allow multiple VMs on a single server node to use the same network interface as shown in [Figure 7: Physical NIC to Bridge Mappings, on page 19](#). SR-IOV Networking is network type *Flat* under OpenStack configuration. NIC Bonding is used to ensure port level redundancy for PCIe Cards involved in SR-IOV Tenant Networks as shown in [Figure 8: NIC Bonding, on page 20](#).

Figure 7: Physical NIC to Bridge Mappings

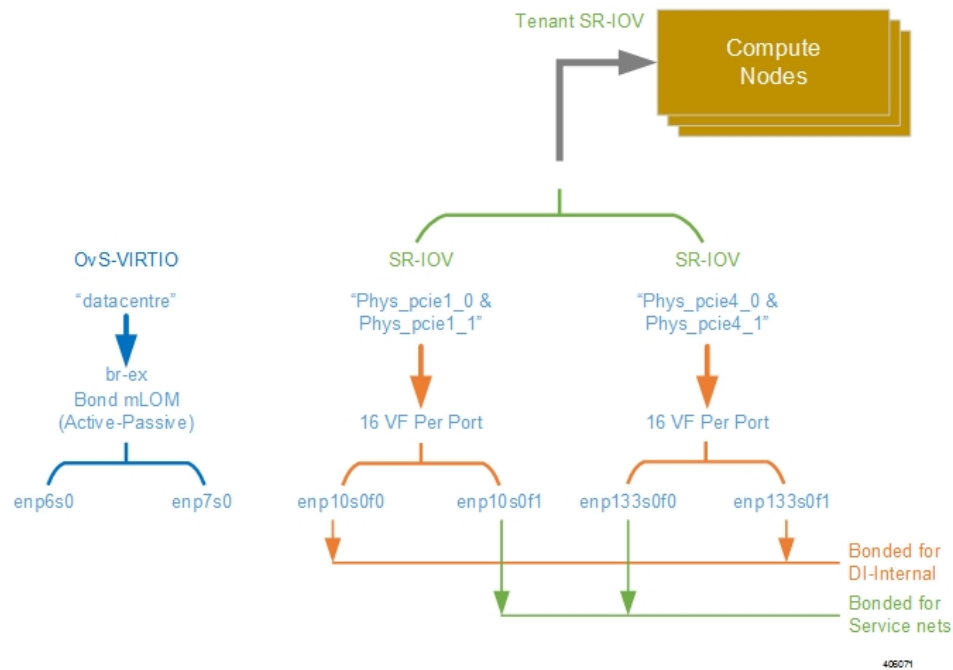
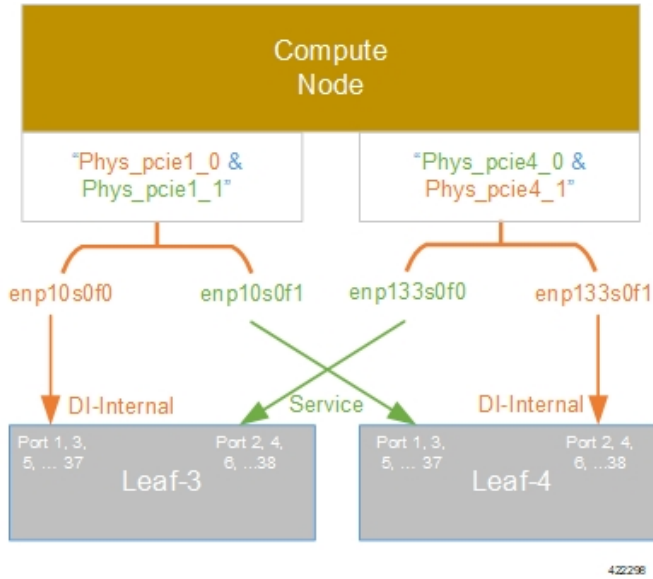


Figure 8: NIC Bonding

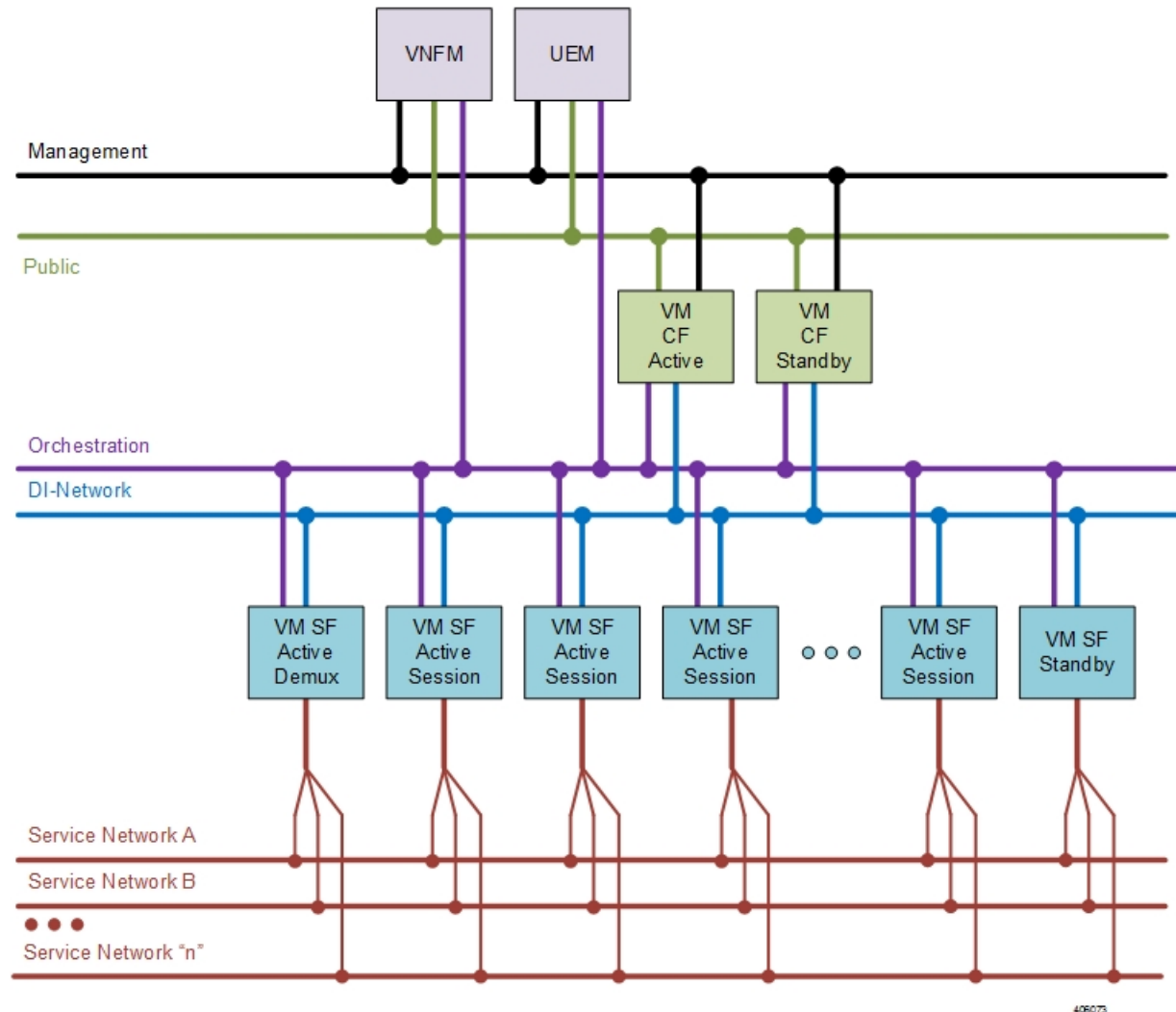


VNF Tenant Networks

While specific VNF network requirements are described in the documentation corresponding to the VNF, [Figure 9: Typical USP-based VNF Networks, on page 21](#) displays the types of networks typically required by USP-based VNFs.

In this release, a cluster of UEM supports multiple VNF instances deployed in different tenants in a single “site” leveraging a single VIM.

Figure 9: Typical USP-based VNF Networks



The USP-based VNF networking requirements and the specific roles are described here:

- **Public:** *External public network.* The router has an external gateway to the public network. All other networks (except DI-Internal and ServiceA-*n*) have an internal gateway pointing to the router. And the router performs secure network address translation (SNAT).
- **DI-Internal:** This is the DI-internal network which serves as a ‘backplane’ for CF-SF and CF-CF communications. Since this network is internal to the UGP, it does not have a gateway interface to the router in the OpenStack network topology. A unique DI internal network must be created for each instance of the UGP. The interfaces attached to these networks use performance optimizations.
- **Management:** This is the local management network between the CFs and other management elements like the UEM and VNFM. This network is also used by OSP-D to deploy the VNFM and AutoVNF. To allow external access, an OpenStack floating IP address from the Public network must be associated with the UGP VIP (CF) address.

You can ensure that the same floating IP address can be assigned to the CF, UEM, and VNF after a VM restart by configuring parameters in the AutoDeploy configuration file or the UWS service delivery configuration file.



Note Prior to assigning floating and virtual IP addresses, make sure that they are not already allocated through OpenStack. If the addresses are already allocated, then they must be freed up for use or you must assign a new IP address that is available in the VIM.

- **Orchestration:** This is the network used for VNF deployment and monitoring. It is used by the VNF to onboard the USP-based VNF.
- **ServiceA-n:** These are the service interfaces to the SF. Up to 12 service interfaces can be provisioned for the SF with this release. The interfaces attached to these networks use performance optimizations.

Layer 1 networking guidelines for the VNF network are provided in [Layer 1 Leaf and Spine Topology, on page 22](#). In addition, a template is provided in [Network Definitions \(Layer 2 and 3\), on page 81](#) to assist you with your Layer 2 and Layer 3 network planning.

Supporting Trunking on VNF Service ports

Service ports within USP-based VNFs are configured as trunk ports and traffic is tagged using the VLAN command. This configuration is supported by trunking to the uplink switch via the *sriovnicswitch mechanism* driver.

This driver supports Flat network types in OpenStack, enabling the guest OS to tag the packets.

Flat networks are untagged networks in OpenStack. Typically, these networks are previously existing infrastructure, where OpenStack guests can be directly applied.

Layer 1 Leaf and Spine Topology

Ultra M implements a Leaf and Spine network topology. Topology details differ between Ultra M models based on the scale and number of nodes.



Note When connecting component network ports, ensure that the destination ports are rated at the same speed as the source port (e.g. connect a 10G port to a 10G port). Additionally, the source and destination ports must support the same physical medium (e.g. Ethernet) for interconnectivity.

Hyper-converged Ultra M Single and Multi-VNF Model Network Topology

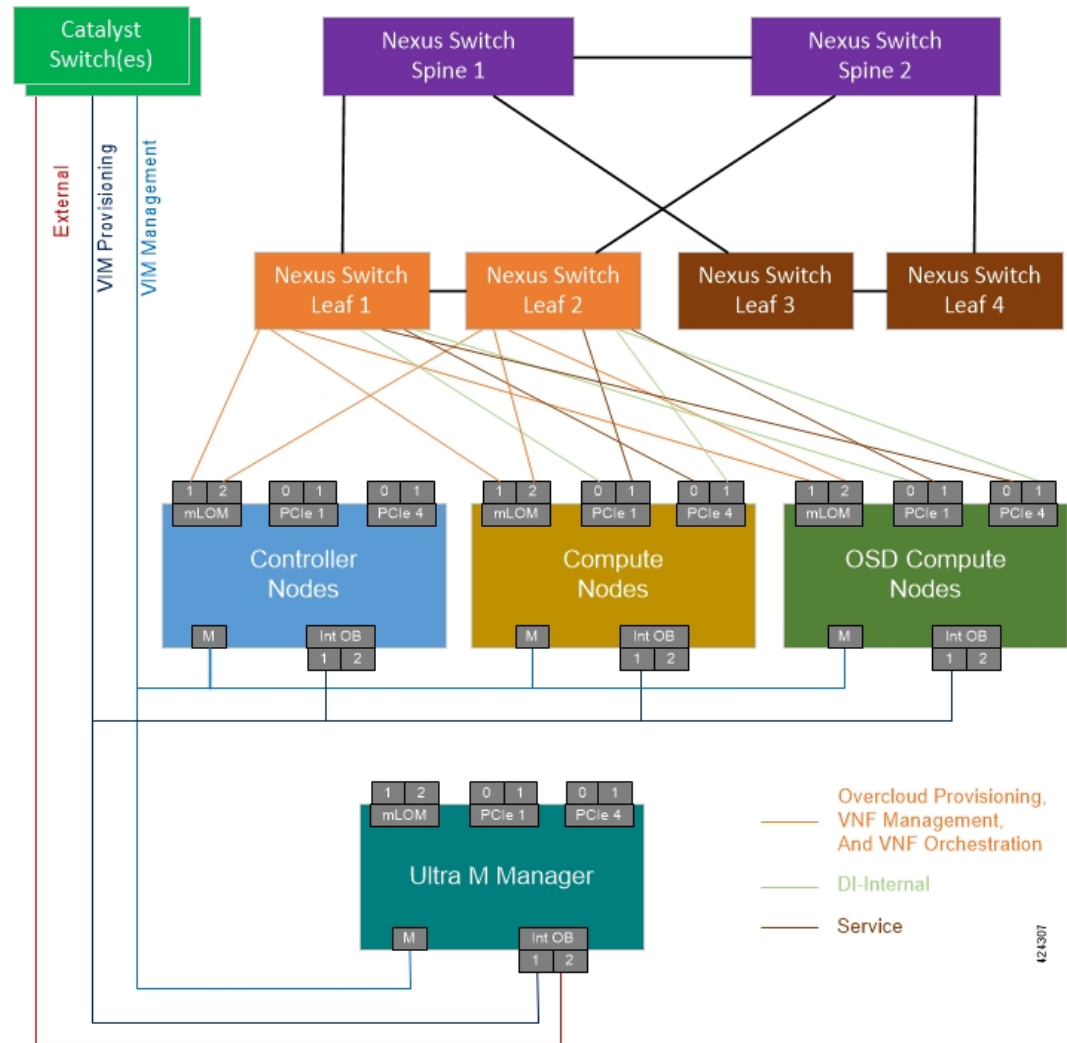
[Figure 10: Hyper-converged Ultra M Single and Multi-VNF Leaf and Spine Topology, on page 23](#) illustrates the logical leaf and spine topology for the various networks required for the Hyper-converged Ultra M models.

In this figure, two VNFs are supported. (Leaves 1 and 2 pertain to VNF1, Leaves 3 and 4 pertain to VNF 2). If additional VNFs are supported, additional Leaves are required (e.g. Leaves 5 and 6 are needed for VNF 3, Leaves

7 and 8 for VNF4). Each set of additional Leafs would have the same meshed network interconnects with the Spines and with the Controller, OSD Compute, and Compute Nodes.

For single VNF models, Leaf 1 and Leaf 2 facilitate all of the network interconnects from the server nodes and from the Spines.

Figure 10: Hyper-converged Ultra M Single and Multi-VNF Leaf and Spine Topology



As identified in [Cisco Nexus Switches, on page 6](#), the number of leaf and spine switches differ between the Ultra M models. Similarly, the specific leaf and spine ports used also depend on the Ultra M solution model being deployed. That said, general guidelines for interconnecting the leaf and spine switches in an Ultra M XS multi-VNF deployment are provided in [Table 12: Catalyst Management Switch 1 \(Rack 1\) Port Interconnects, on page 24](#) through [Table 21: Spine 2 Port Interconnect Guidelines, on page 37](#). Using the information in these tables, you can make appropriate adjustments to your network topology based on your deployment scenario (e.g. number of VNFs and number of Compute Nodes).

Table 12: Catalyst Management Switch 1 (Rack 1) Port Interconnects

| From Switch Port(s) | To | | | Notes |
|---------------------|--------------------------------|--------------|---------|---|
| | Device | Network | Port(s) | |
| 1 | Ultra M Manager Node | Management | CIMC | Management Switch 1 only |
| 3, 12 | OSD Compute Nodes | Management | CIMC | 3 non-sequential ports - 1 per OSD Compute Node OSD Compute Node 0 connects to port 2 OSD Compute Node 1 connects to port 3 OSD Compute Node 2 connects to port 12 |
| 4-11 (inclusive) | Compute Nodes | Management | CIMC | 8 sequential ports - 1 per Compute Node; Compute Nodes 0-7 connect to ports 4 through 11 respectively |
| 13 | Controller 0 | Management | CIMC | |
| 15 | Cat Management Switch 2 | Management | 39 | |
| 25 | Ultra M Manager Node (OSPD VM) | Provisioning | Mgmt | NOTE: This is for deployments of Ultra M Manager Node on bare metal. |
| 26, 27, 36 | OSD Compute Nodes | Provisioning | Mgmt | 3 non-sequential ports - 1 per OSD Compute Node OSD Compute Node 0 connects to port 26 OSD Compute Node 1 connects to port 27 OSD Compute Node 2 connects to port 36 |
| 28-35 (inclusive) | Compute Nodes | Provisioning | Mgmt | 8 sequential ports - 1 per Compute Node; Compute Nodes 0-7 connect to ports 28-35 respectively |
| 37 | Controller 0 | Management | Mgmt | |
| 43 | Leaf 1 | Management | 48 | Switch port 43 connects with Leaf 1 port 48 |
| 44 | Leaf 2 | Management | 48 | Switch port 44 connects with Leaf 2 port 48 |
| 45 | Leaf 1 | Management | Mgmt | |
| 46 | Leaf 2 | Management | Mgmt | |
| 47 | Spine 1 | Management | Mgmt | |

Table 13: Catalyst Management Switch 2 (Rack 2) Port Interconnects

| From Switch Port(s) | To | | | Notes |
|---------------------|-------------------------|--------------|---------|--|
| | Device | Network | Port(s) | |
| 1-10 | Compute Nodes | Management | CIMC | 10 sequential ports - 1 per Compute Node; Compute Nodes 8-17 connect to ports 1-10 respectively |
| 11 | Controller 2 | Management | CIMC | |
| 12 | Controller 1 | Management | CIMC | |
| 13-22 | Compute Nodes | Provisioning | Mgmt | 10 sequential ports - 1 per Compute Node Compute Nodes 8-17 connect to ports 13-22 respectively |
| 23 | Controller 2 | Provisioning | Mgmt | |
| 24 | Controller 1 | Provisioning | Mgmt | |
| 39 | Cat Management Switch 1 | Management | 15 | |
| 43 | Leaf 3 | Management | 48 | Switch port 43 connects with Leaf 3 port 48 |
| 44 | Leaf 4 | Management | 48 | Switch port 44 connects with Leaf 4 port 48 |
| 45 | Leaf 3 | Management | Mgmt | |
| 46 | Leaf 4 | Management | Mgmt | |
| 47 | Spine 2 | Management | Mgmt | |

Table 14: Catalyst Management Switch 3 (Rack 3) Port Interconnects

| From Switch Port(s) | To | | | Notes |
|---------------------|---------------|--------------|---------|---|
| | Device | Network | Port(s) | |
| 1-10 | Compute Nodes | Management | CIMC | 10 sequential ports - 1 per Compute Node; Compute Nodes 18-27 connect to ports 1-10 respectively |
| 13-22 | Compute Nodes | Provisioning | Mgmt | 10 sequential ports - 1 per Compute Node; Compute Nodes 18-27 connect to ports 13-22 respectively |

| From Switch Port(s) | To | | | Notes |
|---------------------|-------------------------|------------|---------|---|
| | Device | Network | Port(s) | |
| 15 | Cat Management Switch 4 | Management | 39 | |
| 43 | Leaf 5 | Management | 48 | Switch port 43 connects with Leaf 5 port 48 |
| 44 | Leaf 6 | Management | 48 | Switch port 44 connects with Leaf 6 port 48 |
| 45 | Leaf 5 | Management | Mgmt | |
| 46 | Leaf 6 | Management | Mgmt | |
| 47 | Spine 1 | Management | Mgmt | |

Table 15: Catalyst Management Switch 4 (Rack 4) Port Interconnects

| From Switch Port(s) | To | | | Notes |
|---------------------|-------------------------|--------------|---------|---|
| | Device | Network | Port(s) | |
| 1-10 | Compute Nodes | Management | CIMC | 10 sequential ports - 1 per Compute Node; Compute Nodes 28-37 connect to ports 1-10 respectively |
| 13-22 | Compute Nodes | Provisioning | Mgmt | 10 sequential ports - 1 per Compute Node; Compute Nodes 28-37 connect to ports 13-22 respectively |
| 39 | Cat Management Switch 3 | Management | 15 | |
| 43 | Leaf 7 | Management | 48 | Switch port 43 connects with Leaf 7 port 48 |
| 44 | Leaf 8 | Management | 48 | Switch port 44 connects with Leaf 8 port 48 |
| 45 | Leaf 7 | Management | Mgmt | |
| 46 | Leaf 8 | Management | Mgmt | |
| 47 | Spine 2 | Management | Mgmt | |

Table 16: Leaf 1 and 2 (Rack 1) Port Interconnects*

| From Leaf Port(s) | To | | | Notes |
|-------------------|--------|---------|---------|-------|
| | Device | Network | Port(s) | |
| Leaf 1 | | | | |

| From Leaf Port(s) | To | | | Notes |
|-------------------|-------------------------|-------------------------------------|-----------|---|
| | Device | Network | Port(s) | |
| Mgmt | Cat Management Switch 1 | Management | 45 | |
| 1 | Controller 0 Node | Management & Orchestration (active) | MLOM P1 | |
| 3, 12, 13 | OSD Compute Nodes | Management & Orchestration (active) | MLOM P1 | 3 non-sequential ports - 1 per OSD Compute Node: OSD Compute Node 2 connects to port 3 OSD Compute Node 1 connects to port 12 OSD Compute Node 0 connects to port 13 |
| 4-11 (inclusive) | Compute Nodes | Management & Orchestration (active) | MLOM P1 | Sequential ports based on the number of Compute Nodes - 1 per Compute Node; Compute Nodes 0-7 connect to ports 11-4 respectively |
| 18, 27, 28 | OSD Compute Nodes | Di-internal (active) | PCIe01 P1 | 3 non-sequential ports - 1 per OSD Compute Node OSD Compute Node 2 connects to port 18 OSD Compute Node 1 connects to port 27 OSD Compute Node 0 connects to port 28 |
| 19-26 (inclusive) | Compute Nodes | Di-internal (active) | PCIe01 P1 | Sequential ports based on the number of Compute Nodes - 1 per Compute Node; Compute Nodes 0-7 connect to ports 26-19 respectively |

| From Leaf Port(s) | To | | | Notes |
|-------------------|-----------------------------------|--|-----------|--|
| | Device | Network | Port(s) | |
| 33-42 (inclusive) | Compute Nodes / OSD Compute Nodes | Service (active) | PCIe04 P1 | Sequential ports based on the number of Compute Nodes and/or OSD Compute Nodes - 1 per OSD Compute Node and/or Compute Node OSD Compute Node 2 connects to port 33 Compute Nodes 0-7 connect to ports 41-34 respectively OSD Compute Node 1 connects to port 42 OSD Compute Node 0 connects to port 43 Note Though the OSD Compute Nodes do not use the Service Networks, they are provided to ensure compatibility within the OpenStack Overcloud (VIM) deployment. |
| 48 | Catalyst Management Switches | Management | 43 | Leaf 1 connects to Switch 1 |
| 49-50 | Spine 1 | Downlink | 1-2 | Leaf 1 port 49 connects to Spine 1 port 1 Leaf 1 port 50 connects to Spine 1 port 2 |
| 53-54 | Leaf 2 | Downlink | 53-54 | Leaf 1 port 53 connects to Leaf 2 port 53 |
| Leaf 2 | | | | |
| Mgmt | Cat Management Switch 1 | Management | 46 | |
| 1 | Controller 0 Node | Management & Orchestration (redundant) | MLOM P2 | |
| 3, 12, 13 | OSD Compute Nodes | Management & Orchestration (redundant) | MLOM P2 | 3 non-sequential ports - 1 per OSD Compute Node: OSD Compute Node 2 connects to port 3 OSD Compute Node 1 connects to port 12 OSD Compute Node 0 connects to port 13 |
| 4-11 (inclusive) | Compute Nodes | Management & Orchestration (redundant) | MLOM P2 | Sequential ports based on the number of Compute Nodes - 1 per Compute Node; Compute Nodes 0-7 connect to ports 11-4 respectively |

| From Leaf Port(s) | To | | | Notes |
|-------------------|-----------------------------------|-------------------------|-----------|--|
| | Device | Network | Port(s) | |
| 18-28 (inclusive) | Compute Nodes / OSD Compute Nodes | Service (redundant) | PCIe01 P2 | Sequential ports based on the number of Compute Nodes and/or OSD Compute Nodes - 1 per OSD Compute Node and/or Compute Node: OSD Compute Node 2 connects to port 18 Compute Nodes 0-7 connect to ports 26-19 respectively OSD Compute Node 1 connects to port 27 OSD Compute Node 0 connects to port 28 Important NOTE: Though the OSD Compute Nodes do not use the Service Networks, they are provided to ensure compatibility within the OpenStack Overcloud (VIM) deployment. |
| 33, 42, 43 | OSD Compute Nodes | Di-internal (redundant) | PCIe04 P2 | 3 non-sequential ports - 1 per OSD Compute Node OSD Compute Node 2 connects to port 33 OSD Compute Node 1 connects to port 42 OSD Compute Node 0 connects to port 43 |
| 34-41 (inclusive) | Compute Nodes | Di-internal (redundant) | PCIe04 P2 | Sequential ports based on the number of Compute Nodes - 1 per Compute Node; Compute Nodes 0-7 connect to ports 34-41 respectively |
| 48 | Catalyst Management Switches | Management | 44 | Leaf 2 connects to Switch 1 |
| 49-50 | Spine 2 | Downlink | 1-2 | Leaf 2 port 49 connects to Spine 2 port 1 Leaf 2 port 50 connects to Spine 2 port 2 |
| 53-54 | Leaf 1 | Downlink | 53-54 | Leaf 2 port 53 connects to Leaf 1 port 53 Leaf 2 port 54 connects to Leaf 1 port 54 |

Table 17: Leaf 3 and 4 (Rack 2) Port Interconnects

| From Leaf Port(s) | To | | | Notes |
|-------------------|--------|---------|---------|-------|
| | Device | Network | Port(s) | |
| Leaf 3 | | | | |

| From Leaf Port(s) | To | | | Notes |
|--------------------|------------------------------|-------------------------------------|-----------|---|
| | Device | Network | Port(s) | |
| Mgmt | Cat Management Switch 2 | Management | 45 | |
| 1 - 10 (inclusive) | Compute Nodes | Management & Orchestration (active) | MLOM P1 | Sequential ports based on the number of Compute Nodes - 1 per Compute Node Important Leaf Ports 1 and 2 are used for the first two Compute Nodes on VNFs other than VNF1 (Rack 1). These are used to host management-related VMs as shown in Figure 3: VM Distribution on Server Nodes for Hyper-converged Ultra M Multi-VNF Models , on page 10. |
| 13-14 (inclusive) | Controller Nodes | Management & Orchestration (active) | MLOM P1 | Leaf 3 port 13 connects to Controller 1 MLOM P1 port Leaf 3 port 14 connects to Controller 1 MLOM P1 port |
| 17-26 (inclusive) | Compute Nodes | Di-internal (active) | PCIe01 P1 | Sequential ports based on the number of Compute Nodes - 1 per Compute Node Important Leaf Ports 17 and 18 are used for the first two Compute Nodes on VNFs other than VNF1. These are used to host management-related VMs as shown in Figure 3: VM Distribution on Server Nodes for Hyper-converged Ultra M Multi-VNF Models , on page 10. |
| 33-42 (inclusive) | Compute Nodes | Service (active) | PCIe04 P1 | Sequential ports based on the number of Compute Nodes - 1 per Compute Node |
| 48 | Catalyst Management Switches | Management | 43 | Leaf 3 connects to Switch 2 |
| 49-50 | Spine 1 | Downlink | 5-6 | Leaf 3 port 49 connects to Spine 1 port 5 Leaf 3 port 50 connects to Spine 1 port 6 |

| From Leaf Port(s) | To | | | Notes |
|--------------------|------------------------------|--|-----------|--|
| | Device | Network | Port(s) | |
| 53-54 | Leaf 4 | Downlink | 53-54 | Leaf 3 port 53 connects to Leaf 4 port 53 Leaf 3 port 54 connects to Leaf 4 port 54 |
| Leaf 4 | | | | |
| Mgmt | Cat Management Switch 2 | Management | 46 | |
| 1 - 10 (inclusive) | Compute Nodes | Management & Orchestration (redundant) | MLOM P2 | Sequential ports based on the number of Compute Nodes - 1 per Compute Node Important Leaf Ports 1 and 2 are used for the first two Compute Nodes on VNFs other than VNF1. These are used to host management-related VMs as shown in Figure 3: VM Distribution on Server Nodes for Hyper-converged Ultra M Multi-VNF Models , on page 10. |
| 13-14 (inclusive) | Controller Nodes | Management & Orchestration (redundant) | MLOM P2 | Leaf 4 port 13 connects to Controller 1 MLOM P2 port Leaf 4 port 14 connects to Controller 1 MLOM P2 port |
| 17-26 (inclusive) | Compute Nodes | Di-internal (redundant) | PCIe04 P2 | Sequential ports based on the number of Compute Nodes - 1 per Compute Node Important Leaf Ports 17 and 18 are used for the first two Compute Nodes on VNFs other than VNF1. These are used to host management-related VMs as shown in Figure 3: VM Distribution on Server Nodes for Hyper-converged Ultra M Multi-VNF Models , on page 10. |
| 33-42 (inclusive) | Compute Nodes | Service (redundant) | PCIe01 P2 | Sequential ports based on the number of Compute Nodes - 1 per Compute Node |
| 48 | Catalyst Management Switches | Management | 44 | Leaf 4 connects to Switch 2 |

| From Leaf Port(s) | To | | | Notes |
|-------------------|---------|----------|---------|--|
| | Device | Network | Port(s) | |
| 49-50 | Spine 2 | Downlink | 5-6 | Leaf 4 port 49 connects to Spine 2 port 5 Leaf 4 port 50 connects to Spine 2 port 6 |
| 53-54 | Leaf 3 | Downlink | 53-54 | Leaf 4 port 53 connects to Leaf 3 port 53 Leaf 4 port 54 connects to Leaf 3 port 54 |

Table 18: Leaf 5 and 6 (Rack 3) Port Interconnects

| From Leaf Port(s) | To | | | Notes |
|--------------------|-------------------------|-------------------------------------|-----------|--|
| | Device | Network | Port(s) | |
| Leaf 5 | | | | |
| Mgmt | Cat Management Switch 3 | Management | 45 | |
| 1 - 10 (inclusive) | Compute Nodes | Management & Orchestration (active) | MLOM P1 | Sequential ports based on the number of Compute Nodes - 1 per Compute Node Important Leaf Ports 1 and 2 are used for the first two Compute Nodes on VNFs other than VNF1. These are used to host management-related VMs as shown in Figure 3: VM Distribution on Server Nodes for Hyper-converged Ultra M Multi-VNF Models , on page 10. |
| 17-26 (inclusive) | Compute Nodes | Di-internal (active) | PCIe01 P1 | Sequential ports based on the number of Compute Nodes - 1 per Compute Node Important Leaf Ports 17 and 18 are used for the first two Compute Nodes on VNFs other than VNF1. These are used to host management-related VMs as shown in Figure 3: VM Distribution on Server Nodes for Hyper-converged Ultra M Multi-VNF Models , on page 10. |
| 33-42 (inclusive) | Compute Nodes | Service (active) | PCIe04 P1 | Sequential ports based on the number of Compute Nodes - 1 per Compute Node |

| From Leaf Port(s) | To | | | Notes |
|--------------------|------------------------------|--|-----------|--|
| | Device | Network | Port(s) | |
| 48 | Catalyst Management Switches | Management | 47 | Leaf 5 connects to Switch 3 |
| 49-50 | Spine 1 | Downlink | 9-10 | Leaf 5 port 49 connects to Spine 1 port 9 Leaf 5 port 50 connects to Spine 1 port 10 |
| 53-54 | Leaf 6 | Downlink | 53-54 | Leaf 5 port 53 connects to Leaf 6 port 53 Leaf 5 port 54 connects to Leaf 6 port 54 |
| Leaf 6 | | | | |
| Mgmt | Cat Management Switch 3 | Management | 46 | |
| 1 - 10 (inclusive) | Compute Nodes | Management & Orchestration (redundant) | MLOM P2 | Sequential ports based on the number of Compute Nodes - 1 per Compute Node Important Leaf Ports 1 and 2 are used for the first two Compute Nodes on VNFs other than VNF1. These are used to host management-related VMs as shown in Figure 3: VM Distribution on Server Nodes for Hyper-converged Ultra M Multi-VNF Models , on page 10. |
| 17-26 (inclusive) | Compute Nodes | Di-internal (redundant) | PCIe04 P2 | Sequential ports based on the number of Compute Nodes - 1 per Compute Node Important Leaf Ports 17 and 18 are used for the first two Compute Nodes on VNFs other than VNF1. These are used to host management-related VMs as shown in Figure 3: VM Distribution on Server Nodes for Hyper-converged Ultra M Multi-VNF Models , on page 10. |
| 33-42 (inclusive) | Compute Nodes | Service (redundant) | PCIe01 P2 | Sequential ports based on the number of Compute Nodes - 1 per Compute Node |

| From Leaf Port(s) | To | | | Notes |
|-------------------|------------------------------|------------|---------|---|
| | Device | Network | Port(s) | |
| 48 | Catalyst Management Switches | Management | 48 | Leaf 6 connects to Switch 3 |
| 49-50 | Spine 2 | Downlink | 9-10 | Leaf 6 port 49 connects to Spine 2 port 9 Leaf 6 port 50 connects to Spine 2 port 10 |
| 53-54 | Leaf 5 | Downlink | 53-54 | Leaf 6 port 53 connects to Leaf 5 port 53 Leaf 6 port 54 connects to Leaf 5 port 54 |

Table 19: Leaf 7 and 8 (Rack 4) Port Interconnects

| From Leaf Port(s) | To | | | Notes |
|--------------------|-------------------------|-------------------------------------|---------|--|
| | Device | Network | Port(s) | |
| Leaf 7 | | | | |
| Mgmt | Cat Management Switch 4 | Management | 45 | |
| 1 - 10 (inclusive) | Compute Nodes | Management & Orchestration (active) | MLOM P1 | Sequential ports based on the number of Compute Nodes - 1 per Compute Node Important Leaf Ports 1 and 2 are used for the first two Compute Nodes on VNFs other than VNF1. These are used to host management-related VMs as shown in Figure 3: VM Distribution on Server Nodes for Hyper-converged Ultra M Multi-VNF Models , on page 10. |

| From Leaf Port(s) | To | | | Notes |
|--------------------|------------------------------|--|-----------|--|
| | Device | Network | Port(s) | |
| 17-26 (inclusive) | Compute Nodes | Di-internal (active) | PCIe01 P1 | Sequential ports based on the number of Compute Nodes - 1 per Compute Node Important Leaf Ports 17 and 18 are used for the first two Compute Nodes on VNFs other than VNF1. These are used to host management-related VMs as shown in Figure 3: VM Distribution on Server Nodes for Hyper-converged Ultra M Multi-VNF Models , on page 10. |
| 33-42 (inclusive) | Compute Nodes | Service (active) | PCIe04 P1 | Sequential ports based on the number of Compute Nodes - 1 per Compute Node |
| 48 | Catalyst Management Switches | Management | 47 | Leaf 7 connects to Switch 4 |
| 49-50 | Spine 1 | Downlink | 13-14 | Leaf 7 port 49 connects to Spine 1 port 13 Leaf 7 port 50 connects to Spine 1 port 14 |
| 53-54 | Leaf 8 | Downlink | 53-54 | Leaf 7 port 53 connects to Leaf 8 port 53 Leaf 7 port 54 connects to Leaf 8 port 54 |
| Leaf 8 | | | | |
| Mgmt | Cat Management Switch 3 | Management | 46 | |
| 1 - 10 (inclusive) | Compute Nodes | Management & Orchestration (redundant) | MLOM P2 | Sequential ports based on the number of Compute Nodes - 1 per Compute Node Important Leaf Ports 1 and 2 are used for the first two Compute Nodes on VNFs other than VNF1. These are used to host management-related VMs as shown in Figure 3: VM Distribution on Server Nodes for Hyper-converged Ultra M Multi-VNF Models , on page 10. |

| From Leaf Port(s) | To | | | Notes |
|----------------------|------------------------------|----------------------------|-----------|---|
| | Device | Network | Port(s) | |
| 17-26 (inclusive) | Compute Nodes | Di-internal (redundant) | PCIe04 P2 | Sequential ports based on the number of Compute Nodes - 1 per Compute Node Important Leaf Ports 17 and 18 are used for the first two Compute Nodes on VNFs other than VNF1. These are used to host management-related VMs as shown in Figure 3: VM Distribution on Server Nodes for Hyper-converged Ultra M Multi-VNF Models , on page 10#unique_14 unique_14_Connect_42_fig_sy3_vth_qcb. |
| 33-42 (inclusive) | Compute Nodes | Service (redundant) | PCIe01 P2 | Sequential ports based on the number of Compute Nodes - 1 per Compute Node |
| 48 | Catalyst Management Switches | Management | 48 | Leaf 8 connects to Switch 4 |
| 49-50 | Spine 2 | Downlink | 13-14 | Leaf 8 port 49 connects to Spine 2 port 13 Leaf 8 port 50 connects to Spine 2 port 14 |
| 53-54 | Leaf 7 | Downlink | 53-54 | Leaf 8 port 53 connects to Leaf 7 port 53 Leaf 8 port 54 connects to Leaf 7 port 54 |

Table 20: Spine 1 Port Interconnect Guidelines

| From Spine Port(s) | To | | | Notes |
|--------------------------------|-----------------|----------|---------|---|
| | Device | Network | Port(s) | |
| 1-2, 5-6, 9-10, 13-14 | Leaf 1, 3, 5, 7 | Downlink | 49-50 | Spine 1 ports 1 and 2 connect to Leaf 1 ports 49 and 50 respectively Spine 1 ports 5 and 6 connect to Leaf 3 ports 49 and 50 respectively Spine 1 ports 9 and 10 connect to Leaf 5 ports 49 and 50 respectively Spine 1 ports 13 and 14 connect to Leaf 7 ports 49 and 50 respectively |

| From Spine Port(s) | To | | | Notes |
|----------------------------|---------|-----------|----------------------------|--|
| | Device | Network | Port(s) | |
| 29-30, 31, 32, 33-34 | Spine 2 | Interlink | 29-30, 31, 32, 33-34 | Spine 1 ports 29-30 connect to Spine 2 ports 29-30 respectively Spine 1 port 31 connects to Spine 2 port 31 respectively Spine 1 port 32 connects to Spine 2 port 32 respectively Spine 1 ports 33-34 connect to Spine 2 ports 33-34 respectively |
| 21-22, 23-24, 25-26 | Router | Uplink | - | |

Table 21: Spine 2 Port Interconnect Guidelines

| From Spine Port(s) | To | | | Notes |
|---------------------------------|-----------------|--------------|----------------------------|--|
| | Device | Network | Port(s) | |
| 3-4, 7-8, 11-12, 15-16 | Leaf 2, 4, 6, 8 | Downlink | 51-52 | Spine 2 ports 3 and 4 connect to Leaf 2 ports 51 and 52 respectively Spine 2 ports 7 and 8 connect to Leaf 4 ports 51 and 52 respectively Spine 2 ports 11 and 12 connect to Leaf 6 ports 51 and 52 respectively Spine 2 ports 15 and 16 connect to Leaf 8 ports 51 and 52 respectively |
| 29-30, 31, 32, 33-34 | Spine 1 | Interconnect | 29-30, 31, 32, 33-34 | Spine 2 ports 29-30 connect to Spine 1 ports 29-30 respectively Spine 2 port 31 connects to Spine 1 port 31 Spine 2 port 32 connects to Spine 1 port 32 Spine 2 ports 33-34 connect to Spine 1 ports 33-34 |
| 21-22, 23-24, 25-26 | Router | Uplink | - | |



CHAPTER 5

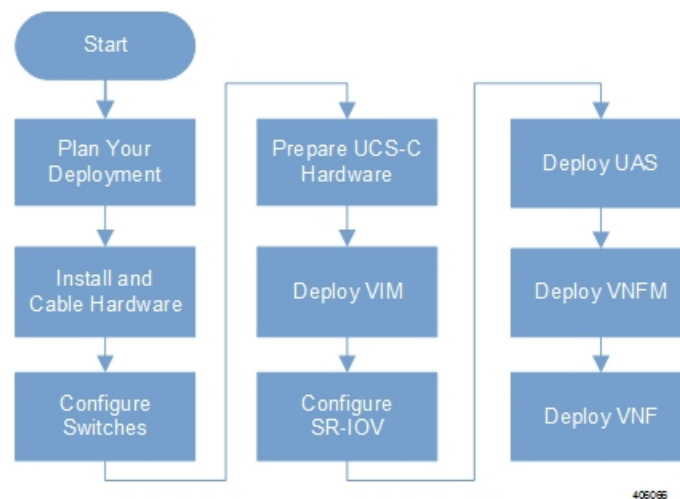
Deploying the Ultra M Solution

Ultra M is a multi-product solution. Detailed instructions for installing each of these products is beyond the scope of this document. Instead, the sections that follow identify the specific, non-default parameters that must be configured through the installation and deployment of those products in order to deploy the entire solution.

- [Deployment Workflow](#), on page 39
- [Plan Your Deployment](#), on page 40
- [Install and Cable the Hardware](#), on page 40
- [Configure the Switches](#), on page 44
- [Prepare the UCS C-Series Hardware](#), on page 44
- [Deploy the Virtual Infrastructure Manager](#), on page 52
- [Deploy the USP-Based VNF](#), on page 53

Deployment Workflow

Figure 11: Ultra M Deployment Workflow



406096

Plan Your Deployment

Before deploying the Ultra M solution, it is very important to develop and plan your deployment.

Network Planning

[Networking Overview](#), on page 15 provides a general overview and identifies basic requirements for networking the Ultra M solution.

With this background, use the tables in [Network Definitions \(Layer 2 and 3\)](#), on page 81 to help plan the details of your network configuration.

Install and Cable the Hardware

This section describes the procedure to install all the components included in the Ultra M Solution.

Related Documentation

To ensure hardware components of the Ultra M solution are installed properly, refer to the installation guides for the respective hardware components.

- **Catalyst 2960-XR Switch** — http://www.cisco.com/c/en/us/td/docs/switches/lan/catalyst2960xr/hardware/installation/guide/b_c2960xr_hig.html
- **Catalyst 3850 48T-S Switch** — http://www.cisco.com/c/en/us/td/docs/switches/lan/catalyst3850/hardware/installation/guide/b_c3850_hig.html
- **Nexus 93180-YC 48 Port** — http://www.cisco.com/c/en/us/td/docs/switches/datacenter/nexus9000/hw/n93180ycex_hig/guide/b_n93180ycex_nxos_mode_hardware_install_guide.html
- **Nexus 9236C 36 Port** — http://www.cisco.com/c/en/us/td/docs/switches/datacenter/nexus9000/hw/n9236c_hig/guide/b_c9236c_nxos_mode_hardware_install_guide.html
- **UCS C240 M4SX Server** — http://www.cisco.com/c/en/us/td/docs/unified_computing/ucs/c/hw/C240M4/install/C240M4.html

Rack Layout

Hyper-converged Ultra M XS Single VNF Deployment

[Table 22: Hyper-converged Ultra M XS Single VNF Deployment Rack Layout](#), on page 40 provides details for the recommended rack layout for the Hyper-converged Ultra M XS Single VNF deployment model.

Table 22: Hyper-converged Ultra M XS Single VNF Deployment Rack Layout

| | Rack #1 | Rack #2 |
|------|---------|---------|
| RU-1 | Empty | Empty |

| | Rack #1 | Rack #2 |
|----------|--|---|
| RU-2 | Spine EOR Switch A: Nexus 9236C | Spine EOR Switch B: Nexus 9236C |
| RU-3 | Empty | Empty |
| RU-4 | VNF Mgmt Switch: Catalyst C3850-48T-S OR C2960XR-48TD | Empty |
| RU-5 | VNF Leaf TOR Switch A: Nexus 93180YC-EX | Empty |
| RU-6 | VNF Leaf TOR Switch B: Nexus 93180YC-EX | Empty |
| RU-7/8 | Ultra UEM 1A: UCS C240 M4 SFF | Empty |
| RU-9/10 | Ultra UEM 1B: UCS C240 M4 SFF | Empty |
| RU-11/12 | Empty | Empty |
| RU-13/14 | Demux SF: UCS C240 M4 SFF | Empty |
| RU-15/16 | Standby SF: UCS C240 M4 SFF | Empty |
| RU-17/18 | Active SF 1: UCS C240 M4 SFF | Empty |
| RU-19/20 | Active SF 2: UCS C240 M4 SFF | Empty |
| RU-21/22 | Active SF 3: UCS C240 M4 SFF | Empty |
| RU-23/24 | Active SF 4: UCS C240 M4 SFF | Empty |
| RU-25/26 | Active SF 5: UCS C240 M4 SFF | Empty |
| RU-27/28 | Active SF 6: UCS C240 M4 SFF | Empty |
| RU-29/30 | Empty | Empty |
| RU-31/32 | Empty | Empty |
| RU-33/34 | Empty | Empty |
| RU-35/36 | Ultra UEM 1C | OpenStack Control C: UCS C240 M4 SFF |
| RU-37/38 | Ultra M Manager: UCS C240 M4 SFF | Empty |
| RU-39/40 | OpenStack Control A: UCS C240 M4 SFF | OpenStack Control B: UCS C240 M4 SFF |
| RU-41/42 | Empty | Empty |
| Cables | Controller Rack Cables | Controller Rack Cables |
| Cables | Spine Uplink/Interconnect Cables | Spine Uplink/Interconnect Cables |

| | Rack #1 | Rack #2 |
|--------|---------------------------------|---------|
| Cables | Leaf TOR To Spine Uplink Cables | Empty |
| Cables | VNF Rack Cables | Empty |

Hyper-converged Ultra M XS Multi-VNF Deployment

Table 23: Hyper-converged Ultra M XS Multi-VNF Deployment Rack Layout, on page 42 provides details for the recommended rack layout for the Hyper-converged Ultra M XS Multi-VNF deployment model.

Table 23: Hyper-converged Ultra M XS Multi-VNF Deployment Rack Layout

| | Rack #1 | Rack #2 | Rack #3 | Rack #4 |
|----------|---|---|---|---|
| RU-1 | Empty | Empty | Empty | Empty |
| RU-2 | Spine EOR Switch A: Nexus 9236C | Spine EOR Switch B: Nexus 9236C | Empty | Empty |
| RU-3 | Empty | Empty | Empty | Empty |
| RU-4 | VNF Mgmt Switch: Catalyst C3850-48T-S OR C2960XR-48TD | VNF Mgmt Switch: Catalyst C3850-48T-S OR C2960XR-48TD | VNF Mgmt Switch: Catalyst C3850-48T-S OR C2960XR-48TD | VNF Mgmt Switch: Catalyst C3850-48T-S OR C2960XR-48TD |
| RU-5 | VNF Leaf TOR Switch A: Nexus 93180YC-EX | VNF Leaf TOR Switch A: Nexus 93180YC-EX | VNF Leaf TOR Switch A: Nexus 93180YC-EX | VNF Leaf TOR Switch A: Nexus 93180YC-EX |
| RU-6 | VNF Leaf TOR Switch B: Nexus 93180YC-EX | VNF Leaf TOR Switch B: Nexus 93180YC-EX | VNF Leaf TOR Switch B: Nexus 93180YC-EX | VNF Leaf TOR Switch B: Nexus 93180YC-EX |
| RU-7/8 | Ultra UEM 1A: UCS C240 M4 SFF | Ultra UEM 2A: UCS C240 M4 SFF | Ultra UEM 3A: UCS C240 M4 SFF | Ultra UEM 4A: UCS C240 M4 SFF |
| RU-9/10 | Ultra UEM 1B: UCS C240 M4 SFF | Ultra UEM 2B: UCS C240 M4 SFF | Ultra UEM 3B: UCS C240 M4 SFF | Ultra UEM 4B: UCS C240 M4 SFF |
| RU-11/12 | Empty | Empty | Empty | Empty |
| RU-13/14 | Demux SF: UCS C240 M4 SFF | Demux SF: UCS C240 M4 SFF | Demux SF: UCS C240 M4 SFF | Demux SF: UCS C240 M4 SFF |
| RU-15/16 | Standby SF: UCS C240 M4 SFF | Standby SF: UCS C240 M4 SFF | Standby SF: UCS C240 M4 SFF | Standby SF: UCS C240 M4 SFF |
| RU-17/18 | Active SF 1: UCS C240 M4 SFF | Active SF 1: UCS C240 M4 SFF | Active SF 1: UCS C240 M4 SFF | Active SF 1: UCS C240 M4 SFF |
| RU-19/20 | Active SF 2: UCS C240 M4 SFF | Active SF 2: UCS C240 M4 SFF | Active SF 2: UCS C240 M4 SFF | Active SF 2: UCS C240 M4 SFF |

| | Rack #1 | Rack #2 | Rack #3 | Rack #4 |
|----------|--------------------------------------|--------------------------------------|---------------------------------|---------------------------------|
| RU-21/22 | Active SF 3: UCS C240 M4 SFF | Active SF 3: UCS C240 M4 SFF | Active SF 3: UCS C240 M4 SFF | Active SF 3: UCS C240 M4 SFF |
| RU-23/24 | Active SF 4: UCS C240 M4 SFF | Active SF 4: UCS C240 M4 SFF | Active SF 4: UCS C240 M4 SFF | Active SF 4: UCS C240 M4 SFF |
| RU-25/26 | Active SF 5: UCS C240 M4 SFF | Active SF 5: UCS C240 M4 SFF | Active SF 5: UCS C240 M4 SFF | Active SF 5: UCS C240 M4 SFF |
| RU-27/28 | Active SF 6: UCS C240 M4 SFF | Active SF 6: UCS C240 M4 SFF | Active SF 6: UCS C240 M4 SFF | Active SF 6: UCS C240 M4 SFF |
| RU-29/30 | Empty | Empty | Empty | Empty |
| RU-31/32 | Empty | Empty | Empty | Empty |
| RU-33/34 | Empty | Empty | Empty | Empty |
| RU-35/36 | Ultra UEM 1C,2C,3C,4C | OpenStack Control C: UCS C240 M4 SFF | Empty | Empty |
| RU-37/38 | Ultra M Manager: UCS C240 M4 SFF | Empty | Empty | Empty |
| RU-39/40 | OpenStack Control A: UCS C240 M4 SFF | OpenStack Control B: UCS C240 M4 SFF | Empty | Empty |
| RU-41/42 | Empty | Empty | Empty | Empty |
| Cables | Controller Rack Cables | Controller Rack Cables | Controller Rack Cables | Empty |
| Cables | Spine Uplink/Interconnect Cables | Spine Uplink/Interconnect Cables | Empty | Empty |
| Cables | Leaf TOR To Spine Uplink Cables | Leaf TOR To Spine Uplink Cables | Leaf TOR To Spine Uplink Cables | Leaf TOR To Spine Uplink Cables |
| Cables | VNF Rack Cables | VNF Rack Cables | VNF Rack Cables | VNF Rack Cables |

Cable the Hardware

After the hardware has been installed, install all power and network cabling for the hardware using the information and instructions in the documentation for the specific hardware product. Refer to [Related Documentation, on page 40](#) for links to the hardware product documentation. Ensure that you install your network cables according to your network plan.

Configure the Switches

All of the switches must be configured according to your planned network specifications.



Note Refer to [Network Planning, on page 40](#) for information and consideration for planning your network.

Refer to the user documentation for each of the switches for configuration information and instructions:

- **Catalyst C2960XR-48TD-I:** <http://www.cisco.com/c/en/us/support/switches/catalyst-2960xr-48td-i-switch/model.html>
- **Catalyst 3850 48T-S:** <http://www.cisco.com/c/en/us/support/switches/catalyst-3850-48t-s-switch/model.html>
- **Nexus 93180-YC-EX:** <http://www.cisco.com/c/en/us/support/switches/nexus-93180yc-fx-switch/model.html>
- **Nexus 9236C:** <http://www.cisco.com/c/en/us/support/switches/nexus-9236c-switch/model.html>

Prepare the UCS C-Series Hardware

UCS-C hardware preparation is performed through the Cisco Integrated Management Controller (CIMC). The tables in the following sections list the non-default parameters that must be configured per server type:

- [Prepare the Staging Server/Ultra M Manager Node, on page 45](#)
- [Prepare the Controller Nodes, on page 45](#)
- [Prepare the Compute Nodes, on page 47](#)
- [Prepare the OSD Compute Nodes, on page 48](#)

Refer to the UCS C-series product documentation for more information:

- **UCS C-Series Hardware** — <https://www.cisco.com/c/en/us/support/servers-unified-computing/ucs-c240-m4-rack-server/model.html>
- **CIMC Software** — <https://www.cisco.com/c/en/us/support/servers-unified-computing/ucs-c-series-integrated-management-controller/tsd-products-support-series-home.html>



Important Part of the UCS server preparation is the configuration of virtual drives. If there are virtual drives present which need to be deleted, select the **Virtual Drive Info** tab, select the virtual drive you wish to delete, then click **Delete Virtual Drive**. Refer to the CIMC documentation for more information.



Important The information in this section assumes that the server hardware was properly installed per the information and instructions in [Install and Cable the Hardware, on page 40](#).

Prepare the Staging Server/Ultra M Manager Node

Table 24: Staging Server/Ultra M Manager Node Parameters

| Parameters and Settings | Description |
|--|---|
| CIMC Utility Setup | |
| Enable IPV4 Dedicated No redundancy IP address Subnet mask Gateway address DNS address | Configures parameters for the dedicated management port. |
| Admin > User Management | |
| Username Password | Configures administrative user credentials for accessing the CIMC utility. |
| Admin > Communication Services | |
| IPMI over LAN Properties = Enabled | Enables the use of Intelligent Platform Management Interface capabilities over the management port. |
| Server > BIOS > Configure BIOS > Advanced | |
| Intel(R) Hyper-Threading Technology = Disabled | Disable hyper-threading on server CPUs to optimize Ultra M system performance. |
| Storage > Cisco 12G SAS Modular RAID Controller > Physical Drive Info | |
| Status = <i>Unconfigured Good</i> | Ensures that the hardware is ready for use. |

Prepare the Controller Nodes

Table 25: Controller Node Parameters

| Parameters and Settings | Description |
|---------------------------|-------------|
| CIMC Utility Setup | |

| Parameters and Settings | Description |
|--|---|
| Enable IPV4 Dedicated No redundancy IP address Subnet mask Gateway address DNS address | Configures parameters for the dedicated management port. |
| Admin > User Management | |
| Username Password | Configures administrative user credentials for accessing the CIMC utility. |
| Admin > Communication Services | |
| IPMI over LAN Properties = Enabled | Enables the use of Intelligent Platform Management Interface capabilities over the management port. |
| Admin > Communication Services | |
| IPMI over LAN Properties = Enabled | Enables the use of Intelligent Platform Management Interface capabilities over the management port. |
| Server > BIOS > Configure BIOS > Advanced | |
| Intel(R) Hyper-Threading Technology = Disabled | Intel(R) Hyper-Threading Technology = Disabled |
| Storage > Cisco 12G SAS Modular RAID Controller > Physical Drive Info | |
| Status = <i>Unconfigured Good</i> | Ensures that the hardware is ready for use. |
| Storage > Cisco 12G SAS Modular RAID Controller > Controller Info | |
| Virtual Drive Name = OS Read Policy = No Read Ahead RAID Level = RAID 1 Cache Policy: Direct IO Strip Size: 64KB Disk Cache Policy: Unchanged Access Policy: Read Write Size: 1143455 MB Write Policy: Write Through | Creates the virtual drives required for use by the operating system (OS). |

| Parameters and Settings | Description |
|---|--|
| Storage > Cisco 12G SAS Modular RAID Controller > Virtual Drive Info | |
| Initialize Type = Fast Initialize | Initializes this virtual drive. A fast initialization quickly writes zeroes to the first and last 10-MB regions of the new virtual drive and completes the initialization in the background. |

Prepare the Compute Nodes

Table 26: Compute Node Parameters

| Parameters and Settings | Description |
|--|---|
| CIMC Utility Setup | |
| Enable IPV4 Dedicated No redundancy IP address Subnet mask Gateway address DNS address | Configures parameters for the dedicated management port. |
| Admin > User Management | |
| Username Password | Configures administrative user credentials for accessing the CIMC utility. |
| Admin > Communication Services | |
| IPMI over LAN Properties = Enabled | Enables the use of Intelligent Platform Management Interface capabilities over the management port. |
| Server > BIOS > Configure BIOS > Advanced | |
| Intel(R) Hyper-Threading Technology = Disabled | Intel(R) Hyper-Threading Technology = Disabled |
| Storage > Cisco 12G SAS Modular RAID Controller > Physical Drive Info | |
| Status = <i>Unconfigured Good</i> | Ensures that the hardware is ready for use. |
| Storage > Cisco 12G SAS Modular RAID Controller > Controller Info | |

| Parameters and Settings | Description |
|--|--|
| Virtual Drive Name = BOOTOS Read Policy = No Read Ahead RAID Level = RAID 1 Cache Policy: Direct IO Strip Size: 64KB Disk Cache Policy: Unchanged Access Policy: Read Write Size: 1143455 MB Write Policy: Write Through | Creates the virtual drives required for use by the operating system (OS). |
| Storage > Cisco 12G SAS Modular RAID Controller > Virtual Drive Info, BOOTOS | |
| Initialize Type = Fast Initialize | Initializes this virtual drive. A fast initialization quickly writes zeroes to the first and last 10-MB regions of the new virtual drive and completes the initialization in the background. |
| Set as Boot Drive | Sets the BOOTOS virtual drive as the system boot drive. |

Prepare the OSD Compute Nodes



Note OSD Compute Nodes are only used in Hyper-converged Ultra M models as described in [UCS C-Series Servers, on page 7](#).

Table 27: OSD Compute Node Parameters

| Parameters and Settings | Description |
|--|--|
| CIMC Utility Setup | |
| Enable IPV4 Dedicated No redundancy IP address Subnet mask Gateway address DNS address | Configures parameters for the dedicated management port. |
| Admin > User Management | |

| Parameters and Settings | Description |
|---|--|
| Username Password | Configures administrative user credentials for accessing the CIMC utility. |
| Admin > Communication Services | |
| IPMI over LAN Properties = Enabled | Enables the use of Intelligent Platform Management Interface capabilities over the management port. |
| Server > BIOS > Configure BIOS > Advanced | |
| Intel(R) Hyper-Threading Technology = Disabled | Intel(R) Hyper-Threading Technology = Disabled |
| Storage > Cisco 12G SAS Modular RAID Controller > Physical Drive Info | |
| Status = <i>Unconfigured Good</i> | Ensures that the hardware is ready for use. |
| SLOT-HBA Physical Drive Numbers = 1 2 3 7 8 9 10 | Ensure the UCS slot host-bus adapter for the drives are configured accordingly. |
| Storage > Cisco 12G SAS Modular RAID Controller > Physical Drive Number = 1 | |
| Virtual Drive Name = BOOTOS Read Policy = No Read Ahead RAID Level = RAID 1 Cache Policy: Direct IO Strip Size: 64KB Disk Cache Policy: Unchanged Access Policy: Read Write Size: 285148 MB Write Policy: Write Through | Creates a virtual drive leveraging the storage space available to physical drive number 1. Note Ensure that the size of this virtual drive is less than the size of the designated journal and storage drives. |
| Storage > Cisco 12G SAS Modular RAID Controller > Virtual Drive Info, BOOTOS, Physical Drive Number = 1 | |

| Parameters and Settings | Description |
|--|--|
| Initialize Type = Fast Initialize | Initializes this virtual drive. A fast initialization quickly writes zeroes to the first and last 10-MB regions of the new virtual drive and completes the initialization in the background. |
| Set as Boot Drive | Sets the BOOTOS virtual drive as the system boot drive. |
| Storage > Cisco 12G SAS Modular RAID Controller > Physical Drive Number = 2 | |
| Virtual Drive Name = BOOTOS Read Policy = No Read Ahead RAID Level = RAID 1 Cache Policy: Direct IO Strip Size: 64KB Disk Cache Policy: Unchanged Access Policy: Read Write Size: 285148 MB Write Policy: Write Through | Creates a virtual drive leveraging the storage space available to physical drive number 2. Note Ensure that the size of this virtual drive is less than the size of the designated journal and storage drives. |
| Storage > Cisco 12G SAS Modular RAID Controller > Virtual Drive Info, BOOTOS, Physical Drive Number = 2 | |
| Initialize Type = Fast Initialize | Initializes this virtual drive. A fast initialization quickly writes zeroes to the first and last 10-MB regions of the new virtual drive and completes the initialization in the background. |
| Set as Boot Drive | Sets the BOOTOS virtual drive as the system boot drive. |
| Storage > Cisco 12G SAS Modular RAID Controller > Physical Drive Number = 3 | |
| Virtual Drive Name = JOURNAL Read Policy = No Read Ahead RAID Level = RAID 0 Cache Policy: Direct IO Strip Size: 64KB Disk Cache Policy: Unchanged Access Policy: Read Write Size: 456809 MB Write Policy: Write Through | Creates a virtual drive leveraging the storage space available to physical drive number 3. |
| Storage > Cisco 12G SAS Modular RAID Controller > Virtual Drive Info, JOURNAL, Physical Drive Number = 3 | |

| Parameters and Settings | Description |
|--|--|
| Initialize Type = Fast Initialize | Initializes this virtual drive. A fast initialization quickly writes zeroes to the first and last 10-MB regions of the new virtual drive and completes the initialization in the background. |
| Storage > Cisco 12G SAS Modular RAID Controller > Physical Drive Number = 7 | |
| Virtual Drive Name = OSD1 Read Policy = No Read Ahead RAID Level = RAID 0 Cache Policy: Direct IO Strip Size: 64KB Disk Cache Policy: Unchanged Access Policy: Read Write Size: 1143455 MB Write Policy: Write Through | Creates a virtual drive leveraging the storage space available to physical drive number 7. |
| Storage > Cisco 12G SAS Modular RAID Controller > Virtual Drive Info, OSD1, Physical Drive Number = 7 | |
| Initialize Type = Fast Initialize | Initializes this virtual drive. A fast initialization quickly writes zeroes to the first and last 10-MB regions of the new virtual drive and completes the initialization in the background. |
| Storage > Cisco 12G SAS Modular RAID Controller > Physical Drive Number = 8 | |
| Virtual Drive Name = OSD2 Read Policy = No Read Ahead RAID Level = RAID 0 Cache Policy: Direct IO Strip Size: 64KB Disk Cache Policy: Unchanged Access Policy: Read Write Size: 1143455 MB Write Policy: Write Through | Creates a virtual drive leveraging the storage space available to physical drive number 8. |
| Storage > Cisco 12G SAS Modular RAID Controller > Virtual Drive Info, OSD2, Physical Drive Number = 8 | |
| Initialize Type = Fast Initialize | Initializes this virtual drive. A fast initialization quickly writes zeroes to the first and last 10-MB regions of the new virtual drive and completes the initialization in the background. |
| Storage > Cisco 12G SAS Modular RAID Controller > Physical Drive Number = 9 | |

| Parameters and Settings | Description |
|--|--|
| Virtual Drive Name = OSD3 Read Policy = No Read Ahead RAID Level = RAID 0 Cache Policy: Direct IO Strip Size: 64KB Disk Cache Policy: Unchanged Access Policy: Read Write Size: 1143455 MB Write Policy: Write Through | Creates a virtual drive leveraging the storage space available to physical drive number 9. |
| Storage > Cisco 12G SAS Modular RAID Controller > Virtual Drive Info, OSD3, Physical Drive Number = 9 | |
| Initialize Type = Fast Initialize | Initializes this virtual drive. A fast initialization quickly writes zeroes to the first and last 10-MB regions of the new virtual drive and completes the initialization in the background. |
| Storage > Cisco 12G SAS Modular RAID Controller > Physical Drive Number = 10 | |
| Virtual Drive Name = OSD4 Read Policy = No Read Ahead RAID Level = RAID 0 Cache Policy: Direct IO Strip Size: 64KB Disk Cache Policy: Unchanged Access Policy: Read Write Size: 1143455 MB Write Policy: Write Through | Creates a virtual drive leveraging the storage space available to physical drive number 10. |
| Storage > Cisco 12G SAS Modular RAID Controller > Virtual Drive Info, OSD4, Physical Drive Number = 10 | |
| Initialize Type = Fast Initialize | Initializes this virtual drive. A fast initialization quickly writes zeroes to the first and last 10-MB regions of the new virtual drive and completes the initialization in the background. |

Deploy the Virtual Infrastructure Manager

Within the Ultra M solution, OpenStack Platform Director (OSP-D) functions as the virtual infrastructure manager (VIM).

The method by which the VIM is deployed depends on the architecture of your Ultra M model. Refer to the following section for information related to your deployment scenario.

Deploy the VIM for Hyper-Converged Ultra M Models

Deploying the VIM for Hyper-Converged Ultra M Models is performed using an automated workflow enabled through software modules within Ultra Automation Services (UAS). These services leverage user-provided configuration information to automatically deploy the VIM Orchestrator (Undercloud) and the VIM (Overcloud).

For information on using this automated process, in the *USP Deployment Automation Guide*, refer to the *Virtual Infrastructure Manager Installation Automation* section.

Deploy the USP-Based VNF

After the OpenStack Undercloud (VIM Orchestrator) and Overcloud (VIM) have been successfully deployed on the Ultra M hardware, you must deploy the USP-based VNF.

This process is performed through the Ultra Automation Services (UAS). UAS is an automation framework consisting of a set of software modules used to automate the USP-based VNF deployment and related components such as the VNFM.

For detailed information on the automation workflow, refer to the *Ultra Service Platform Deployment Automation Guide*.

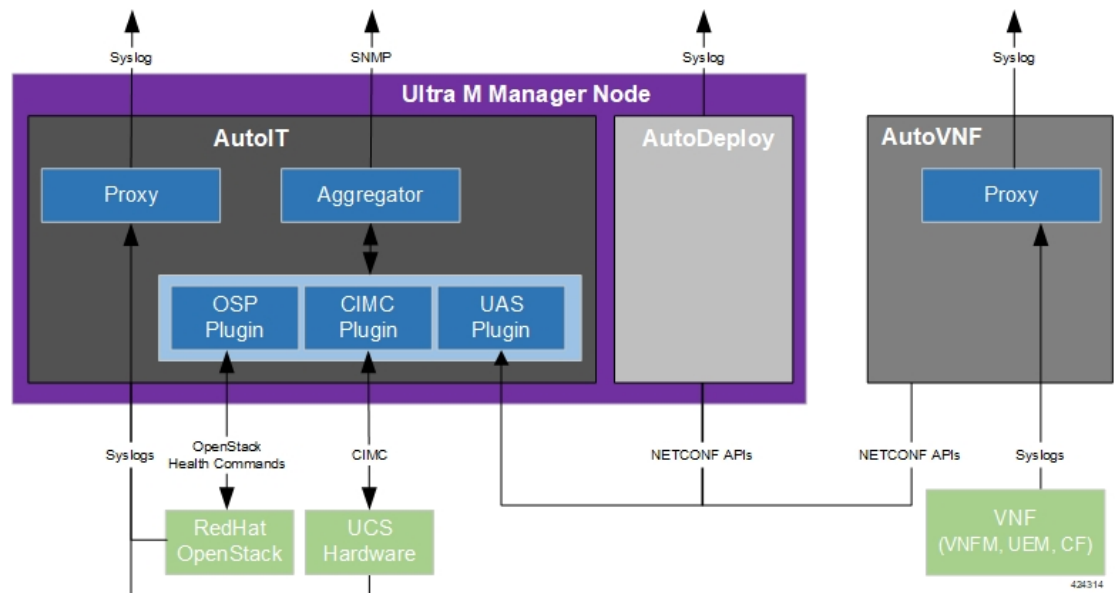


CHAPTER 6

Health Monitoring in the Ultra M Solution

Hyper-Converged Ultra M solution models support a centralized health monitor and management function. This function provides a central aggregation point for events (faults and alarms) and a proxy point for syslogs generated by the different components within the solution as identified in [Table 28: Component Event Source Domains](#), on page 65.

Figure 12: Ultra M Health Monitoring Functions



This functionality is installed with the UAS software modules.



Important

The UAS-based health functionality is currently supported only with Ultra M UGP VNF deployments based on OSP 10 and that leverage the Hyper-Converged architecture. The Ultra M Manager RPM is still distributed separately and is intended only for use in specific deployment scenarios. Contact your local sales or support representative for more information.

Once installed, additional configuration is required based on the desired functionality as described in the following sections:

- [Syslog Proxy](#), on page 56

- [Event Aggregation](#) , on page 65
- [Configuring Fault Suppression](#), on page 75

Syslog Proxy

Syslog proxy functionality is supported at the following levels

- UCS server hardware
- OpenStack services
- UAS software modules
- VNFM, UEM, and CF VNF components

NOTES:

- This functionality is currently supported only with Ultra M UGP VNF deployments based on OSP 10 and that leverage the Hyper-Converged architecture.
- You must configure a remote collection server to receive and filter log files sent by the Ultra M Manager Node.
 - Take note of the TCP and UDP ports configured on the server for syslogging as the syslog proxy functionality on Ultra M must be configured with the same ports.
 - Ensure that the collection server's IP table rules are configured to accept TCP/UDP connection on the configured port.
- Though you can configure syslogging at any severity level your deployment scenario requires, it is recommended that you only configure syslog levels with severity levels 0 (emergency) through 4 (warning). If the severity level is not set, then by default, the severity level 6 is used.



Important

If you wish to enable syslogging for the components that comprise the Ultra M solution but do not wish to use the syslog proxy functionality (e.g. send syslogs directly to an external collection server), refer to [Configuring Syslogging to an External Collection Server, on page 61](#).

Configuring Syslog Proxy for UCS Server Hardware

AutoIT can be configured to serve as a proxy for UCS server hardware syslogs.



Important

AutoIT must be configured with information for the syslog collection server at the time it is deployed. Refer to the *Ultra Services Platform Deployment Automation Guide* for more information.

The UCS server list is based on the configuration specified in the VIM Orchestrator and VIM NSD configuration file. As such, syslog proxy functionality for the hardware must be performed after the VIM has been deployed.

Syslog proxy functionality is configured through a fault management descriptor (FMD) configuration file that is comprised of the required NETCONF parameters. Refer to [Sample FMD Configuration File, on page 137](#) for a sample configuration file.

**Important**

Though the FMD configuration can be included in the network service descriptor (NSD) for your VNF, it is recommended that the configuration for this functionality be maintained in a separate, FMD-specific NSD configuration file.

To configure syslog proxy functionality for UCS server hardware:

1. Log on to the primary AutoIT VM as the root user.
2. Prepare the FMD configuration file for your deployment scenario. Your file should include the following parameters:

```
domain hardware
  syslog uas-proxy
  syslog severity <severity_level>
```

Note that the **severity** parameter is optional. The default severity level is 6.

For more information on the syslog severity supported, refer to the *Cisco Ultra Services Platform NETCONF API Guide*.

Refer to [Sample FMD Configuration File, on page 137](#) for a sample configuration file.

3. Login to the ConfD CLI as the *admin* user.

```
confd_cli -u admin -C
```

4. Enter the *admin* user password when prompted.
5. Enter the ConfD configuration mode.

```
config
```

6. Load the FMD configuration file.

```
load merge <your_fmd_file_name>.cfg
commit
end
```

7. Activate the FMD configuration.

```
activate nsd-id <nsd_name> fmd <fmd_name>
```

**Important**

The output of this command is a transaction-id which can be used to monitor the deployment progress. If need be, the FMD configuration can be deactivated using the **deactivate** variant of this command.

8. Monitor the progress of the FMD creation by viewing transaction logs:

```
show log <transaction_id> | display xml
```

transaction_id is the ID displayed as a result of the **activate** command executed in step 7, on page 57.

Configuring Syslog Proxy for OpenStack Services

AutoIT can be configured to serve as a proxy for OpenStack service syslogs.



Important

AutoIT must be configured with information for the syslog collection server at the time it is deployed. Refer to the *Ultra Services Platform Deployment Automation Guide* for more information.

The list of servers on which OpenStack is running is based on the configuration specified in the VIM Orchestrator and VIM NSD configuration file. As such, syslog proxy functionality for the hardware must be performed after the VIM has been deployed.

If syslogging is enabled, syslogs for the following OpenStack services are proxied:

- Nova
- Cinder
- Keystone
- Glance
- Ceph monitor (Controller nodes only)
- Ceph OSD (OSD Compute nodes only)

Syslog proxy functionality is configured through a fault management descriptor (FMD) configuration file that is comprised of the required NETCONF parameters. Refer to [Sample FMD Configuration File, on page 137](#) for a sample configuration file.



Important

Though the FMD configuration can be included in the network service descriptor (NSD) for your VNF, it is recommended that the configuration for this functionality be maintained in a separate, FMD-specific NSD configuration file.

To configure syslog proxy functionality for UCS server hardware:

1. Log on to the primary AutoIT VM as the root user.
2. Prepare the FMD configuration file for your deployment scenario. Your file should include the following parameters:

```
domain vim
  syslog uas-proxy
  syslog severity <severity_level>
```

Note that the **severity** parameter is optional. The default severity level is 6.

For more information on the syslog severity supported, refer to the *Cisco Ultra Services Platform NETCONF API Guide*.

Refer to [Sample FMD Configuration File, on page 137](#) for a sample configuration file.

3. Login to the ConfD CLI as the *admin* user.

```
confd_cli -u admin -C
```

4. Enter the *admin* user password when prompted.
5. Enter the ConfD configuration mode.

```
config
```

6. Load the FMD configuration file.

```
load merge <your_fmd_file_name>.cfg
```

```
commit
```

```
end
```

7. Activate the FMD configuration.

```
activate nsd-id <nsd_name> fmd <fmd_name>
```



Important

The output of this command is a transaction-id which can be used to monitor the deployment progress. If need be, the FMD configuration can be deactivated using the **deactivate** variant of this command.

8. Monitor the progress of the FMD creation by viewing transaction logs:

```
show log <transaction_id> | display xml
```

transaction_id is the ID displayed as a result of the **activate** command executed in step 7, on page 59.

Configuring Syslogging for UAS Software Modules

Each UAS software module can be configured to send logs and syslogs to one or more external collection servers.

AutoDeploy and AutoIT

Logs and syslogs are sent directly to one or more external syslog collection servers configured when these modules are first installed. The configured collection servers are also the receivers for UCS server hardware and OpenStack services for which AutoIT is a proxy.

The following logs are sent:

- **AutoDeploy:**

- /var/log/upstart/autodeploy.log
- /var/log/syslog

- **AutoIT:**

- /var/log/upstart/autoit.log
- /var/log/syslog

In order to support syslogging functionality, additional operators were added to the *boot_uas.py* script used to install these modules:

- **--syslog-ip**<ext_syslog_server_address>

- `--port<syslog_port_number>`
- `--severity<syslog_severity_to_send>`

Refer to the *Ultra Services Platform Deployment Automation Guide* for more information on deploying AutoIT and AutoDeploy.

AutoVNF

AutoVNF serves as the syslog proxy for the VNF, UEM, and CF VNF components (VNFCs). It also sends its own logs to the same external syslog collection server:

- `/var/log/upstart/autovnf.log`
- `/var/log/syslog`

Syslogging for the AutoVNF module is configured through the AutoVNF VNFC configuration within the VNF Rack and VNF NSD configuration file. Refer to the *Ultra Services Platform Deployment Automation Guide* for more information.

AutoVNF should always configure the external syslog server. For AutoVNF, the information and instructions provided in those sources also remain identical but with the exception of the parameters used in the corresponding VNFC section of the VNF Rack and VNF NSD configuration file.

```
syslog server <ip_address>
syslog port <tcp_udp_port>
syslog severity <severity_level>
```

Note that the **port** and **severity** parameters are optional. The default values of **port** and **severity** parameters are 514 and 6 respectively.

For more information on the syslog severity supported, refer to the *Cisco Ultra Services Platform NETCONF API Guide*.

Configuring Syslog Proxy for the VNF, UEM, and CF VNFCs

AutoVNF can be configured as the syslog proxy for the following VNF, UEM, and CF VNF component (VNFC) logs:

- **VNF (ESC):** `/var/log/messages`



Important *escmanager* and *mona* logs are not configured as part of syslog automation. ESC can be manually configured to send these logs to the syslog proxy or to an external syslog collection server. Refer to [Manual ESC escmanager and mona Log Configuration, on page 63](#) for more information.

- **UEM:**
 - `/var/log/em/vnfm-proxy/vnfm-proxy`
 - `/var/log/em/ncs/ncs-java-vm`
 - `/var/log/em/zookeeper/zookeeper`

- /var/log/syslog

- **CF:** All syslogs configured within the StarOS-based VNF.

Syslogging for the VNF, UEM, and CF is configured through their respective VNF configurations within the VNF Rack and VNF NSD configuration file. Refer to the *Ultra Services Platform Deployment Automation Guide* for more information.

The following parameters should be configured for each VNF:

```
syslog uas-proxy
syslog severity <severity_level>
```

Note that the **severity** parameter is optional. The default severity level is 6.

For more information on the syslog severity supported, refer to the *Cisco Ultra Services Platform NETCONF API Guide*.

Configuring Syslogging to an External Collection Server

Syslogging for the Ultra M solution components can be enabled without leveraging the syslog proxy functionality. In this scenario, syslogs are sent directly from each component to an external collection server.



Important

Regardless of the domain level at which you're configuring syslogging functionality for, you must ensure that the external collection server to which your sending syslogs is reachable over the network by the component sending the syslog.

UCS Server Hardware

The instructions for configuring UCS servers to send syslogs to an external collection server are identical to those described in [Configuring Syslog Proxy for UCS Server Hardware, on page 56](#) with the exception of the parameters used in the FMD configuration file.

To configure external collection servers for UCS server hardware, use the following parameters:

```
domain hardware
  syslog server <ip_address>
  syslog port <tcp_udp_port>
  syslog severity <severity_level>
```

Note that the **port** and **severity** parameters are optional. The default values of **port** and **severity** parameters are 514 and 6 respectively.

For more information on the syslog severity supported, refer to the *Cisco Ultra Services Platform NETCONF API Guide*.



Important

Though multiple external collection servers can be configured, the UCS server hardware support a maximum of two servers. If more than two servers are configured in the FMD, only the first two are configured on the UCS servers. Additionally, only one severity level can be configured on the UCS servers. It is used for both configured collection servers.

OpenStack Services

The instructions for configuring OpenStack services to send syslogs to an external collection server are identical to those described in [Configuring Syslog Proxy for OpenStack Services, on page 58](#) with the exception of the parameters used in the FMD configuration file.

To configure external collection servers for OpenStack services, use the following parameters:

```
domain vim
  syslog server <ip_address>
  syslog port <tcp_udp_port>
  syslog severity <severity_level>
```

Note that the **port** and **severity** parameters are optional. The default values of **port** and **severity** parameters are 514 and 6 respectively.

For more information on the syslog severity supported, refer to the *Cisco Ultra Services Platform NETCONF API Guide*.

UAS Software Modules

The information and instructions provided in [Configuring Syslogging for UAS Software Modules, on page 59](#) and in the *Ultra Services Platform Deployment Automation Guide* that pertain to AutoDeploy and AutoIT configure them to communicate with external collection servers.

To configure external collection servers for the AutoVNF, use the following parameters:

```
syslog server <ip_address>
syslog port <tcp_udp_port>
syslog severity <severity_level>
```

Note that the **port** and **severity** parameters are optional. The default values of **port** and **severity** parameters are 514 and 6 respectively.

For more information on the syslog severity supported, refer to the *Cisco Ultra Services Platform NETCONF API Guide*.

VNFM, UEM, and CF VNF Components

The instructions for configuring the VNFM, UEM, and CFs to send syslogs to an external collection server are identical to those described in [Configuring Syslog Proxy for the VNFM, UEM, and CF VNFCs, on page 60](#) and in the *Ultra Services Platform Deployment Automation Guide* with the exception of the parameters used in the corresponding VNFC section of the VNF Rack and VNF NSD configuration file.

To configure external collection servers for the VNFCs, use the following parameters for each VNFC:

```
syslog server <ip_address>
syslog port <tcp_udp_port>
syslog severity <severity_level>
```


**Important**

- Though multiple external collection servers can be configured, the ESC-based VNF supports the configuration of only a single server. If multiple servers are configured in the VNFC, only the first is configured on the ESC-based VNF. Additionally, all severity levels are enabled for the ESC-based VNF regardless of the severity specified in the configuration.
- The ESC *escmanager* and *mona* logs are not configured as part of syslog automation. ESC can be manually configured to send these logs to the syslog proxy or to an external syslog collection server. Refer to [Manual ESC *escmanager* and *mona* Log Configuration, on page 63](#) for more information.
- For the CF component within the VNF, neither the syslog port or the syslog severity need to be configured. The default syslog port of 514 and the default severity of 7, debug, is used.

For more information on the syslog severity supported, refer to the *Cisco Ultra Services Platform NETCONF API Guide*.

Manual ESC *escmanager* and *mona* Log Configuration

ESC's *escmanager* and *mona* logs are not configured as part of syslog automation. However, ESC can be manually configured to send these logs to either the syslog proxy server (i.e. AutoVNF) or to an external collection server.

To manually configure ESC to send these logs:

1. Log on to the active ESC VNF VM as the user *admin*.
2. Navigate to the `/etc/rsyslog.d` directory.
cd /etc/rsyslog.d
3. Create a configuration file for the *escmanager* log called `00-escmanager.conf`. The file should have the following configuration information which includes the IP address of the syslog server (either the syslog proxy server or the external collection server):

```
$ModLoad imfile
$InputFileName /var/log/esc/escmanager.log
$InputFileTag escmanager:
$InputFileStateFile stat-escmanager
$InputRunFileMonitor

$template escmanager_log, "%syslogtag::% %msg%"

if $programname == 'escmanager' then @@<syslog-server-ip>:<port-number>;escmanager_log
if $programname == 'escmanager' then stop
```

<syslog-server-ip> is the one of the following:

- AutoVNF HA VIP address if you want the logs sent to the syslog proxy server, OR
- IP address of the external syslog collection server.

<port-number> is the TCP/UDP port used for syslog. For the syslog proxy functionality, the default port of 514 is used.

**Important**

The server IP address and port number must be identical to those configured at the VNFC-level for the VNF.

4. Create a configuration file for the *mona* log called *02-mona.conf*. The file should have the following configuration information which includes the IP address of the syslog server (either the syslog proxy server or the external collection server):

```
$ModLoad imfile
$InputFileName /var/log/esc/mona/mona.log
$InputFileTag mona:
$InputFileStateFile stat-mona
$InputRunFileMonitor

$template mona_log, "%syslogtag::% %msg%"

if $programname == 'mona' then @@<syslog-server-ip>:<port-number>;mona_log

if $programname == 'mona' then stop
```

<syslog-server-ip> is the one of the following:

- AutoVNF HA VIP address if you want the logs sent to the syslog proxy server, OR
- IP address of the external syslog collection server.

<port-number> is the TCP/UDP port used for syslog. For the syslog proxy functionality, the default port of 514 is used.

**Important**

The server IP address and port number must be identical to those configured at the VNFC-level for the VNF.

5. Change the file permissions for the *escmanager.log* file.

```
ls -al /var/log/esc/escmanager.log
-rw-r--r--. 1 esc-user esc-user 12671993 Sep 12 23:32 /var/log/esc/escmanager.log
sudo chmod 666 /var/log/esc/escmanager.log
ls -al /var/log/esc/escmanager.log
-rw-rw-rw-. 1 esc-user esc-user 12671993 Sep 12 23:32 /var/log/esc/escmanager.log
```

6. Change the file permissions for the *mona.log* file.

```
ls -al /var/log/esc/mona/mona.log
-rw-r--r--. 1 esc-user esc-user 3937424 Sep 13 01:10 /var/log/esc/mona/mona.log
sudo chmod 666 /var/log/esc/mona/mona.log
ls -al /var/log/esc/mona/mona.log
-rw-rw-rw-. 1 esc-user esc-user 3940388 Sep 13 01:11 /var/log/esc/mona/mona.log
```

7. Restart the syslog service.

```
sudo service rsyslog restart
```

8. Repeat steps 1, on page 63 through 7, on page 64 on the standby ESC VNF VM.

Event Aggregation

The AutoIT module within the Ultra M Manager Node can be configured to aggregate events received from different Ultra M components as identified in [Table 28: Component Event Source Domains](#), on page 65.



Important

This functionality is currently supported only with Ultra M UGP VNF deployments based on OSP 10 and that leverage the Hyper-Converged architecture. In pre-6.2 releases, this functionality was made available through the Ultra M Manager utility. The Ultra M Manager RPM is still distributed separately and is intended only for use in specific deployment scenarios. Contact your local sales or support representative for more information.

Table 28: Component Event Source Domains

| Solution Component Domain | Event Source Type | Details |
|---------------------------------------|--------------------------------|---|
| hardware (UCS server hardware) | CIMC | Reports on events collected from UCS C-series hardware via CIMC-based subscription. These events are monitored in real-time. |
| vim (VIM (Overcloud)) | OpenStack service health | Reports on OpenStack service fault events pertaining to: <ul style="list-style-type: none"> • Failures (stopped, restarted) • High availability • Ceph / storage • Neutron / compute host and network agent • Nova scheduler (VIM instances) Refer to Table 29: Monitored OpenStack Services , on page 67 for a complete list of services. |
| uas (UAS AutoVNF) | UAS cluster | Reports on UAS service fault events pertaining to: <ul style="list-style-type: none"> • Service failure (stopped, restarted) • High availability |
| vnfm (ESC-based VNFM) | ESC (VNFM) event notifications | Reports on ESC-based VNFM service fault events pertaining to: <ul style="list-style-type: none"> • Service failure (stopped, restarted) Important Events on a per-VNFM VM level. |

| Solution Component Domain | Event Source Type | Details |
|---------------------------|---------------------------------|--|
| vnf-em (UEM) | USP management component events | Reports on UEM service fault events pertaining to: <ul style="list-style-type: none"> • Service failure (stopped, restarted) • High availability • Internal application errors (e.g. SCM, LCM, etc.) |
| vnf (VNF VM Status) | ESC (VNFM) event notifications | Reports on VNF VM deployment state events generated by ESC (the VNFM). The following events are supported: <ul style="list-style-type: none"> • VM_DEPLOYED • VM_ALIVE • VM_UNDEPLOYED • VM_REBOOTED • VM_RECOVERY_REBOOT • VM_RECOVERY_UNDEPLOYED • VM_RECOVERY_DEPLOYED • VM_RECOVERY_COMPLETE • VM_STOPPED <p>Important This feature was introduced in 6.0. It was not fully qualified and made available only for testing purposes. In 6.0, AutoVNF monitors for event notifications from ESC in real time. Though AutoVNF updates the VNFR for the VNF and VNFC the event pertains to upon receipt of an event, it does not generate a corresponding SNMP trap. It is fully qualified and fully functional as of the 6.2 release.</p> |

Table 29: Monitored OpenStack Services

| Node Type | OpenStack Module | OpenStack Services |
|------------|------------------|---|
| Controller | cinder | <ul style="list-style-type: none"> • openstack-cinder-api.service, • openstack-cinder-scheduler.service |
| | glance | <ul style="list-style-type: none"> • openstack-glance-api.service, • openstack-glance-registry.service |
| | heat-engine | openstack-heat-engine.service |
| | heat-api | <ul style="list-style-type: none"> • openstack-heat-api-cfn.service, • openstack-heat-api-cloudwatch.service, • openstack-heat-api.service |
| | heat | <ul style="list-style-type: none"> • openstack-heat-api-cfn.service, • openstack-heat-api-cloudwatch.service, • openstack-heat-api.service |
| | nova | <ul style="list-style-type: none"> • openstack-nova-api.service, • openstack-nova-conductor.service, • openstack-nova-consoleauth.service, • openstack-nova-novncproxy.service, • openstack-nova-scheduler.service |
| | swift-object | <ul style="list-style-type: none"> • openstack-swift-object-auditor.service, • openstack-swift-object-replicator.service, • openstack-swift-object-updater.service, • openstack-swift-object.service |
| | swift-account | <ul style="list-style-type: none"> • openstack-swift-account-auditor.service, • openstack-swift-account-reaper.service, • openstack-swift-account-replicator.service, • openstack-swift-account.service |
| | swift-container | |

| Node Type | OpenStack Module | OpenStack Services |
|-------------|---------------------------|--|
| | | <ul style="list-style-type: none"> • openstack-swift-container-auditor.service, • openstack-swift-container-replicator.service, • openstack-swift-container-updater.service, • openstack-swift-container.service |
| | swift-proxy | openstack-swift-proxy.service |
| | swift | All above swift services |
| | ntpd | ntpd.service |
| | mongod | mongod.service |
| | memcached | memcached |
| | neutron-dhcp-agent | neutron-dhcp-agent.service |
| | neutron-l3-agent | neutron-l3-agent.service |
| | neutron-metadata-agent | neutron-metadata-agent.service |
| | neutron-openvswitch-agent | neutron-openvswitch-agent.service |
| | neutron-server | neutron-server.service |
| | httpd | httpd.service |
| OSD Compute | ceph-mon.target | ceph-mon.target |
| | ceph-radosgw.target | ceph-radosgw.target |
| | ceph.target | ceph.target |
| | openvswitch.service | openvswitch.service |
| | neutron-sriov-nic-agent | neutron-sriov-nic-agent.service |
| | neutron-openvswitch-agent | neutron-openvswitch-agent.service |
| | ntpd | ntpd.service |
| | nova-compute | openstack-nova-compute.service |
| | libvirt | libvirt.service |

| Node Type | OpenStack Module | OpenStack Services |
|-----------|---------------------------|-----------------------------------|
| Compute | ceph-mon.target | ceph-mon.target |
| | ceph-radosgw.target | ceph-radosgw.target |
| | ceph.target | ceph.target |
| | openvswitch.service | openvswitch.service |
| | neutron-sriov-nic-agent | neutron-sriov-nic-agent.service |
| | neutron-openvswitch-agent | neutron-openvswitch-agent.service |
| | ntpd | ntpd.service |
| | nova-compute | openstack-nova-compute.service |
| | libvirtd | libvirtd.service |

Faults can be enabled or disabled at various levels as described in [Configuring Fault Suppression, on page 75](#).

Events received from the solution components, regardless of the source type, are mapped against the Ultra M SNMP MIB (CISCO-ULTRAM-MIB.my, refer to [Ultra M MIB, on page 87](#)). The event data is parsed and categorized against the following conventions:

- **Fault code:** Identifies the area in which the fault occurred for the given component. Refer to the “CFaultCode” convention within the Ultra M MIB for more information.
- **Severity:** The severity level associated with the fault. Refer to the “CFaultSeverity” convention within the Ultra M MIB for more information. Since the Ultra M Manager Node aggregates events from different components within the solution, the severities supported within the Ultra M Manager Node MIB map to those for the specific components. Refer to [Ultra M Component Event Severity and Fault Code Mappings, on page 95](#) for details.
- **Domain:** The component in which the fault occurred (e.g. UCS hardware, VIM, UEM, etc.). Refer to the “CFaultDomain” convention within the Ultra M MIB for more information.

UAS and OpenStack events are monitored at the configured polling interval as described in [Table 30: SNMP Fault Entry Table Element Descriptions, on page 71](#). At the polling interval, the Ultra M Manager Node:

1. Collects data from UAS and OpenStack.
2. Generates/updates .log and .report files and an SNMP-based fault table with this information. It also includes related data about the fault such as the specific source, creation time, and description.
3. Processes any events that occurred:
 1. If an error or fault event is identified, then a .error file is created and an SNMP trap is sent.
 2. If the event received is a clear condition, then an informational SNMP trap is sent to “clear” an active fault.
 3. If no event occurred, then no further action is taken beyond Step 2.

UCS and ESC VM events are monitored and acted upon in real-time. When events occur, the Ultra M Manager generates a .log file and the SNMP fault table. In the case of VM events reported by ESC, upon receipt of an event, AutoVNF updates the VNFR for the VNF and VNFC the event pertains to. In parallel, it passes the event information to the Ultra M Manager functionality within AutoIT. The Ultra M Manager then generates corresponding SNMP traps for each event.

Active faults are reported “only” once and not on every polling interval. As a result, there is only one trap as long as this fault is active. Once the fault is “cleared”, an informational trap is sent.

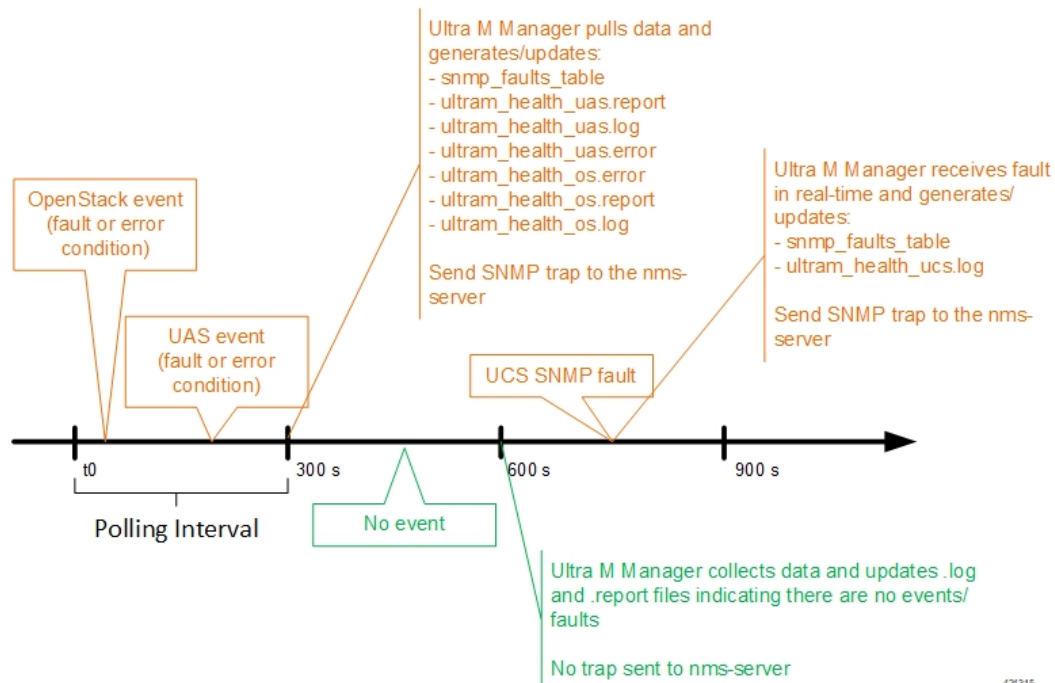


Important

UCS events are considered to be the “same” if a previously received fault has the same distinguished name (DN), severity, and lastTransition time. UCS events are considered as “new” only if any of these elements change.

These processes are illustrated in [Figure 13: Ultra M Manager Node Event Aggregation Operation](#), on page 70. Refer to [About Ultra M Manager Log Files](#), on page 109 for more information.

Figure 13: Ultra M Manager Node Event Aggregation Operation

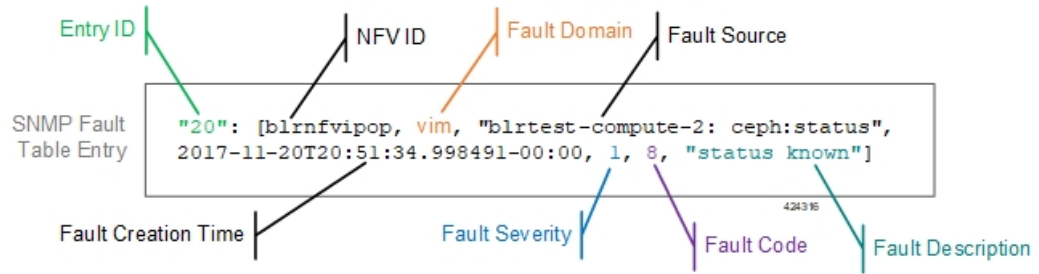


An example of the snmp_faults_table file is shown below and the entry syntax is described in [Figure 14: SNMP Fault Table Entry Description](#), on page 71:

```
"0": [3 "neutronoc-osd-compute-0: neutron-sriov-nic-agent.service" 1 8 "status known"] "1":
[3 "neutronoc-osd-compute-0: ntpd" 1 8 "Service is not active state: inactive"] "2": [3
"neutronoc-osd-compute-1: neutron-sriov-nic-agent.service" 1 8 "status known"] "3": [3
"neutronoc-osd-compute-1: ntpd" 1 8 "Service is not active state: inactive"] "4": [3
"neutronoc-osd-compute-2: neutron-sriov-nic-agent.service" 1 8 "status known"] "5": [3
"neutronoc-osd-compute-2: ntpd" 1 8 "Service is not active state: inactive"]
```

Refer to [About Ultra M Manager Log Files](#), on page 109 for more information.

Figure 14: SNMP Fault Table Entry Description



Each element in the SNMP Fault Table Entry corresponds to an object defined in the Ultra M SNMP MIB as described in [Table 30: SNMP Fault Entry Table Element Descriptions, on page 71](#). (Refer also to [Ultra M MIB, on page 87](#).)

Table 30: SNMP Fault Entry Table Element Descriptions

| SNMP Fault Table Entry Element | MIB Object | Additional Details |
|--------------------------------|--------------------------|--|
| Site ID | cultramSiteId | Identify fault at site level |
| Entry ID | cultramFaultIndex | A unique identifier for the entry |
| NFV ID | cultramNFVIdentity | Ultra M PoD on which this fault is occurring |
| Fault Domain | cultramFaultDomain | The component area in which the fault occurred. Refer to Table 28: Component Event Source Domains, on page 65 for information on domains supported in this release. |
| Fault Source | cultramFaultSource | Information identifying the specific component within the Fault Domain that generated the event. The format of the information is different based on the Fault Domain. Refer to Table 31: cultramFaultSource Format Values, on page 73 for details. |
| Fault Creation Time | cultramFaultCreationTime | The date and time when the fault was occurred. |

| SNMP Fault Table Entry Element | MIB Object | Additional Details |
|--------------------------------|-------------------------|---|
| Fault Severity | cultramFaultSeverity | <p>The severity associated with the fault as one of the following:</p> <ul style="list-style-type: none"> • emergency(1) : System level FAULT impacting multiple VNFs/Services • critical(2) : Critical Fault specific to VNF/Service • major(3) : component level failure within VNF/service. • alert(4) : warning condition for a service/VNF, may eventually impact service. • informational(5) : informational only, does not impact service <p>Refer to Ultra M Component Event Severity and Fault Code Mappings, on page 95 for details on how these severities map to events generated by the various Ultra M components.</p> |
| Fault Code | cultramFaultCode | <p>A unique ID representing the type of fault as. The following codes are supported:</p> <ul style="list-style-type: none"> • other(1) : Other events • networkConnectivity(2) : Network Connectivity Failure Events • resourceUsage(3) : Resource Usage Exhausted Event • resourceThreshold(4) : Resource Threshold crossing alarms • hardwareFailure(5) : Hardware Failure Events • securityViolation(6) : Security Alerts • configuration(7) : Config Error Events • serviceFailure(8) : Process/Service failures <p>Refer to Ultra M Component Event Severity and Fault Code Mappings, on page 95 for details on how these fault codes map to events generated by the various Ultra M components.</p> |
| Fault Description | cultramFaultDescription | A message containing details about the fault. |

Table 31: cultramFaultSource Format Values

| FaultDomain | Format Value of cultramFaultSource |
|------------------------|--|
| Hardware (UCS Servers) | <p>Node: <UCS-SERVER-IP-ADDRESS>, affectedDN: <FAULT-OBJECT-DISTINGUSIHED-NAME></p> <p>Where:</p> <p><UCS-SERVER-IP-ADDRESS> : The management IP address of the UCS server that generated the fault.</p> <p><FAULT-OBJECT-DISTINGUSIHED-NAME> : The distinguished name of the affected UCS object.</p> |
| UAS | <p>Node: <UAS-MANAGEMENT-IP></p> <p>Where:</p> <p><UAS-MANAGEMENT-IP> : The management IP address for the UAS instance.</p> |
| VIM (OpenStack) | <p><OS-HOSTNAME>: <SERVICE-NAME></p> <p>Where:</p> <p><OS-HOSTNAME> : The OpenStack node hostname that generated the fault.</p> <p><SERVICE-NAME> : Then name of the OpenStack service that generated the fault.</p> |

SNMP Version Support

The following commands are supported for both SNMP Version 2 and Version 3:

- GET
- Walk
- GETNEXT
- GETBULK

The following security algorithms are supported for SNMP Version 3:

Table 32: Supported SNMP Version 3 Security Algorithms

| Protocol | Algorithms |
|----------------|---|
| Authentication | <ul style="list-style-type: none"> • usmNoAuthProtocol • usmHMACMD5AuthProtocol • usmHMACSHAAuthProtocol |

| Protocol | Algorithms |
|----------|---|
| Privacy | <ul style="list-style-type: none"> • usmNoPrivProtocol • usmDESPrivProtocol • usm3DESEDEPrivProtocol • usmAesCfb128Protocol • usmAesCfb192Protocol • usmAesCfb256Protocol |

For SNMP Version 3, the SNMP Engine ID is generated in accordance with RFC 3411:

```
(80000000 OR HEX value of enterprise ID) + 04 + (HEX value of Administratively Assigned String)
```



Important

The name of the network service descriptor (NSD) in which fault management functionality is configured is used as the 'Administratively Assigned String'. For deployment scenarios that require the Ultra M Manager RPM for fault management functionality, the name of the UCS cluster is used.

SNMP configuration is based on parameters configured in the fault management descriptor (FMD) along with other parameters pertaining to Ultra M health monitoring. Refer to [Configuring Event Aggregation, on page 74](#) for more information on configuring and activating the FMD. Refer to the *Cisco Ultra Services Platform NETCONF API Guide* for more information on the specific parameters that comprise the FMD.

Configuring Event Aggregation

Event aggregation functionality is configured through NETCONF API-based remote procedure calls invoked via AutoIT. In either scenario, the parameters related to this functionality are defined by/within the fault management descriptor (FMD). When the VNF is deployed, the FMD configuration is merged into the existing NSD configuration. (Refer to the *Cisco Ultra Services Platform NETCONF API Guide* for details on the parameters supported within the FMD.)

Though the FMD configuration can be included in the NSD configuration file, it is recommended that the configuration for this functionality be maintained in a separate, FMD-specific NSD configuration file.



Important

The instructions in this section assume that the Ultra M solution has been completely deployed prior to proceeding. This includes the VIM Orchestrator, the VIM, the UAS components, and the VNF.

To enable this functionality on the Ultra M solution:

1. Log on to the primary AutoIT VM as the root user.
2. Prepare the FMD configuration file for your deployment scenario. Your file should include the following parameters:
 - SNMP user configuration
 - Fault management descriptor (FMD) configuration

- Domain configuration (e.g. hardware, vim, uas, etc.)
- SNMP version and receiver configuration

Refer to [Sample FMD Configuration File, on page 137](#) for a sample configuration file. Refer to the *Cisco Ultra Services Platform NETCONF API Guide* for a complete list of supported parameters.

3. Login to the ConfD CLI as the *admin* user.

```
confd_cli -u admin -C
```

4. Enter the *admin* user password when prompted.

5. Enter the ConfD configuration mode.

```
config
```

6. Load the FMD configuration file.

```
load merge <your_fmd_file_name>.cfg
```

```
commit
```

```
end
```

7. Activate the FMD configuration.

```
activate nsd-id <nsd_name> fmd <fmd_name>
```



Important

The output of this command is a transaction-id which can be used to monitor the deployment progress. If need be, the FMD configuration can be deactivated using the **deactivate** variant of this command.

8. Monitor the progress of the FMD creation by viewing transaction logs:

```
show log <transaction_id> | display xml
```

transaction_id is the ID displayed as a result of the **activate** command executed in step 7, on page 75.

Configuring Fault Suppression

AutoIT can be configured to monitor the fault events for a specified domain. The fault suppression functionality for VNFC(s) must be performed after the VIM has been deployed.



Important

AutoIT must be configured with information for the event (fault and alarm) monitoring at the time it is deployed. Refer to the *Ultra Services Platform Deployment Automation Guide* for more information.

Fault suppression functionality is configured through a fault management descriptor (FMD) configuration file that is comprised of the required NETCONF parameters.

Depending on the configuration of this functionality, the faults can be automatically suppressed at the following levels:

- UCS server:

- **UCS cluster:** All events for all UCS nodes are suppressed.
- **UCS fault object distinguished names (DNs):** All events for one or more specified UCS object DN within are suppressed.
- **UCS faults:** One or more specified UCS faults are suppressed.



Important Fault suppression can be simultaneously configured at both the UCS object DN and fault levels.

- UAS and VNF components:
 - **UAS component cluster:** All events for all UAS components are suppressed.
 - **UAS component events:** One or more specified UAS component events are suppressed.

When faults are suppressed, event monitoring occurs as usual and the log report file shows the faults. However, suppressed faults are not reported over SNMP. Within the log file, suppress faults are preceded by the word “Skipping”.

Suppressing UCS Faults

AutoIT can be configured to suppress UCS hardware faults based on fault ID or affected fault object distinguished names (DNs).

UCS incorporates the concept of DN where each entity is been assigned unique ID or namespace. Suppressing events for a given UCS fault object distinguished name (DN) stops the reporting of all events related to the DN. Suppression can be enabled for one or more DNs.



Important Fault suppression can be simultaneously configured at both the UCS object DN and fault levels.

Fault suppression functionality is configured through a fault management descriptor (FMD) configuration file that is comprised of the required NETCONF parameters. Refer to [Sample FMD Configuration File, on page 137](#) for a sample configuration file.



Important Though the FMD configuration can be included in the network service descriptor (NSD) for your VNF, it is recommended that the configuration for this functionality be maintained in a separate, FMD-specific NSD configuration file.

Refer to the latest Cisco UCS Faults and Error Messages Reference Guide for more information <https://www.cisco.com/c/en/us/support/servers-unified-computing/unified-computing-system/products-system-message-guides-list.html>.

To configure fault suppression functionality for UCS server hardware:

1. Log on to the primary AutoIT VM as the root user.

2. Prepare the FMD configuration file for your deployment scenario. Your file should include the following parameters:

```
domain hardware
  monitoring suppress-hw-affected-dn [ <dn_1>...<dn_n> ]
  monitoring suppress-hw-fault-id [ <fault_id_1>...<fault_id_n> ]
```

The operators **suppress-hw-affected-dn** and **suppress-hw-fault-id** are optional. If these are not configured, the faults can be raised.

Refer to [Sample FMD Configuration File, on page 137](#) for a sample configuration file.

For information related to UCS faults, see https://www.cisco.com/c/en/us/td/docs/unified_computing/ucs/ts/faults/reference/3-0/UCSFaultsErrorsRef_3-0/UCS_SEMs_3-0.html.

3. Login to the ConfD CLI as the *admin* user.

```
confd_cli -u admin -C
```

4. Enter the *admin* user password when prompted.
5. Enter the ConfD configuration mode.

```
config
```

6. Load the FMD configuration file.

```
load merge <your_fmd_file_name>.cfg
commit
end
```

7. Activate the FMD configuration.

```
activate nsd-id <nsd_name> fmd <fmd_name>
```



Important

The output of this command is a transaction-id which can be used to monitor the deployment progress. If need be, the FMD configuration can be deactivated using the **deactivate** variant of this command.

8. Monitor the progress of the FMD creation by viewing transaction logs:

```
show log <transaction_id> | display xml
```

transaction_id is the ID displayed as a result of the **activate** command executed in step 7, on page 59.

Suppressing UAS Faults

AutoIT can be configured to suppress UAS faults based on UAS components (AutoVNF, UEM, and the VNF (ESC)) or type of failure within the component. Fault suppression functionality is configured through a fault management descriptor (FMD) configuration file that is comprised of the required NETCONF parameters. Refer to [Sample FMD Configuration File, on page 137](#) for a sample configuration file.

**Important**

Though the FMD configuration can be included in the network service descriptor (NSD) for your VNF, it is recommended that the configuration for this functionality be maintained in a separate, FMD-specific NSD configuration file.

The health check must be enabled for UAS, VNF, VNF and UEM before configuring fault suppression functionality.

To configure fault suppression functionality for UAS components:

1. Log on to the primary AutoIT VM as the root user.
2. Prepare the FMD configuration file for your deployment scenario. Your file should include the following parameters:

```
domain uas
```

```
    monitoring suppress-uas-fault [ overall ]
```

```
domain vnf
```

```
    monitoring suppress-uas-fault [ overall ]
```

```
domain vnf-EM
```

```
    monitoring suppress-uas-fault [ api-endpoint ha-event cluster-ha]
```

```
domain vnf
```

```
    monitoring suppress-uas-fault [ overall ]
```

Refer to [Sample FMD Configuration File, on page 137](#) for a sample configuration file.

NOTES:

- **suppress-uas-fault**: This operator is optional and it accepts enum value in the YANG model.
- **overall**: Suppresses faults for all the configured domains.
- **api-endpoint**: This is applicable only to UEM domain. The fault is raised when EM applications/internal components are not in healthy state i.e. SCM/SLA/VNFM-PROXY is down.
- **ha-event**: This is applicable to UAS and UEM domain. The fault is raised when EM HA endpoint is changed i.e. during HA switch over (one of the UAS VMs in a cluster rebooted and a switchover/failover has been performed resulting in the election of a new master).
- **cluster-ha**: This is applicable to UAS and UEM domain. The fault is raised when EM VMs are failed to form HA cluster.
- The **api-endpoint** operator is not applicable for the UAS and ESC domains as the UAS/ESC health check procedure takes care of these errors and corresponding recovery procedures.

3. Login to the ConfD CLI as the *admin* user.

```
confd_cli -u admin -C
```

4. Enter the *admin* user password when prompted.
5. Enter the ConfD configuration mode.


```
config
```

6. Load the FMD configuration file.

```
load merge <your_fmd_file_name>.cfg
```

```
commit
```

```
end
```

7. Activate the FMD configuration.

```
activate nsd-id <nsd_name> fmd <fmd_name>
```



Important

The output of this command is a transaction-id which can be used to monitor the deployment progress. If need be, the FMD configuration can be deactivated using the **deactivate** variant of this command.

8. Monitor the progress of the FMD creation by viewing transaction logs:

```
show log <transaction_id> | display xml
```

transaction_id is the ID displayed as a result of the **activate** command executed in step 7, on page 59.



APPENDIX **A**

Network Definitions (Layer 2 and 3)

Table 33: Layer 2 and 3 Network Definition, on page 81 is intended to be used as a template for recording your Ultra M network Layer 2 and Layer 3 deployments.

Some of the Layer 2 and 3 networking parameters identified in Table 33: Layer 2 and 3 Network Definition, on page 81 are configured directly on the UCS hardware via CIMC. Other parameters are configured as part of the VIM Orchestrator or VIM configuration. This configuration is done through various configuration files depending on the parameter:

- undercloud.conf
- network.yaml
- layout.yaml
- AutoDeploy Configuration file for the pod

Table 33: Layer 2 and 3 Network Definition

| VLAN ID / Range | Network | Gateway | IP Range Start | IP Range End | Description | Where Configured | Routable? |
|---|------------------------------|---------------------------|----------------|--------------|---|---------------------------------|-----------|
| External-Internet Meant for OSP-D Only | | | | | | | |
| 100 | <u>192.168.1.0/24</u> | <u>192.168.1.1</u> | | | Internet access required: - 1 IP Address for OSP-D - 1 IP for default gateway | On Ultra M Manger Node hardware | Yes |
| External – Floating IP Addresses (Virtio)* | | | | | | | |

| VLAN ID / Range | Network | Gateway | IP Range Start | IP Range End | Description | Where Configured | Routable? |
|------------------------|------------------------|---------------------|----------------|---------------|---|--|-----------|
| <u>101</u> | <u>192.168.10.0/24</u> | <u>192.168.10.1</u> | | | Routable addresses required: - 3 IP addresses for Controllers - 1 VIP for master Controller Node (Horizon IP address) 4 Floating IP Addresses per VNF for management VMs (CF, VNFM, UEM, and UAS software modules) - 1 IP for default gateway | <i>network.yaml</i> and/or <i>layout.yaml</i> ** | Yes |
| Provisioning | | | | | | | |
| <u>105</u> | 192.0.0.0/ 8 | | 192.200.0.100 | 192.200.0.254 | Required to provision all configuration via PXE boot from OSP-D for Ceph, Controller and Compute. Intel-On-Board Port 1 (1G). | <i>undercloud.conf</i> | No |
| IPMI-CIMC | | | | | | | |
| <u>105</u> | 192.0.0.0/ 8 | | 192.100.0.100 | 192.100.0.254 | | On UCS servers through CIMC | No |
| Tenant (Virtio) | | | | | | | |
| <u>17</u> | 11.117.0.0/ 24 | | | | All Virtio based tenant networks. (MLOM) | <i>network.yaml</i> and/or <i>layout.yaml</i> ** | No |

| VLAN ID / Range | Network | Gateway | IP Range Start | IP Range End | Description | Where Configured | Routable? |
|------------------------------|------------------|---------|----------------|----------------|---|--|-----------|
| Storage (Virtio) | | | | | | | |
| <u>18</u> | 11.118.0.0/ 24 | | | | Required for Controllers, Computes and Ceph for read/write from and to Ceph. (MLOM) | <i>network.yaml</i> and/or <i>layout.yaml</i> ** | No |
| Storage-MGMT (Virtio) | | | | | | | |
| <u>19</u> | 11.119.0.0/ 24 | | | | Required for Controllers and Ceph only as Storage Cluster internal network. (MLOM) | <i>network.yaml</i> and/or <i>layout.yaml</i> ** | No |
| Internal-API (Virtio) | | | | | | | |
| <u>20</u> | 11.120.0.0/ 24 | | | | Required for Controllers and Computes for openstack manageability. (MLOM) | <i>network.yaml</i> and/or <i>layout.yaml</i> ** | No |
| Mgmt (Virtio) | | | | | | | |
| <u>21</u> | 172.16.181.0/ 24 | | 172.16.181.100 | 172.16.181.254 | Tenant based virtio network on openstack. | <i>network.yaml</i> and/or <i>layout.yaml</i> ** | No |
| Other-Virtio | | | | | | | |
| <u>1001:</u> <u>1500</u> | | | | | Tenant based virtio networks on openstack. | <i>network.yaml</i> and/or <i>layout.yaml</i> ** | No |
| SR-IOV (Phys-PCIe1) | | | | | | | |

| VLAN ID / Range | Network | Gateway | IP Range Start | IP Range End | Description | Where Configured | Routable? |
|-----------------------------|---------|---------|----------------|--------------|--|--|-----------|
| <u>2101:</u> <u>2500</u> | | | | | Tenant SRIOV network on openstack. (Intel NIC on PCIe1) NOTE: A unique VLAN from this range is used by each VNF for the DI-internal network. | <i>network.yaml</i> and/or <i>layout.yaml</i> ** | Yes |
| SR-IOV (Phys-PCIe4) | | | | | | | |
| <u>2501:</u> <u>2900</u> | | | | | Tenant SRIOV network on openstack. (Intel NIC on PCIe4) NOTE: Ensure that the same DI-internal network VLAN ID is configured for both PCIe1 and PCIe4 for the same VNF. (For example, if VLAN ID 2111 is configured for VNF1 on PCIe1, VLAN ID 2111 must be configured on PCIe4 for VNF1) | <i>network.yaml</i> and/or <i>layout.yaml</i> ** | Yes |

| VLAN ID / Range | Network | Gateway | IP Range Start | IP Range End | Description | Where Configured | Routable? |
|---|---------|---------|----------------|--------------|-------------|------------------|-----------|
| <p>NOTE: <u>Bold underlined</u> text is provided as example configuration information. Your deployment requirements will vary. The IP addresses in bold text are the recommended address used for internal routing between VNF components. All other IP addresses and VLAN IDs may be changed/assigned.</p> <p>* You can ensure that the same floating IP address can assigned to the AutoVNF, CF, UEM, and VNFM after a VM restart by configuring parameters in the AutoDeploy configuration file or the UWS service delivery configuration file. Refer to Table 34: Floating IP address Reuse Parameters, on page 85 for details.</p> <p>** For Hyper-converged Ultra M models based on OpenStack 10, these parameters must configured in the both the <i>networks.yaml</i> and the <i>layout.yaml</i> files unless the VIM installation automation feature is used. Refer to the <i>Ultra Services Platform Deployment Automation Guide</i> for details.</p> <p>Caution IP address ranges used for the Tenant (Virtio), Storage (Virtio), and Internal-API (Virtio) in <i>network.yaml</i> cannot conflict with the IP addresses specified in <i>layout.yaml</i> for the corresponding networks. Address conflicts will prevent the VNF from functioning properly.</p> | | | | | | | |

Table 34: Floating IP address Reuse Parameters

| Component | Construct | AutoDeploy Configuration File Parameters | UWS Service Deployment Configuration File |
|-----------|-----------|---|---|
| AutoVNF | autovnfd | networks management floating-ip true networks management ha-vip <vip_address> networks management floating-ip-address <floating_address> | <management> <---SNIP---> <floating-ip>true </floating-ip> <ha-vip> vip_address</ha-vip> <floating-ip-address>floating_address</floating-ip-address> </management> |
| VNFM | vnfmd | floating-ip true ha-vip <vip_address> floating-ip-address <floating_address> | <management> <---SNIP---> <floating-ip>true </floating-ip> <ha-vip> vip_address</ha-vip> <floating-ip-address>floating_address</floating-ip-address> </management> |

| Component | Construct | AutoDeploy Configuration File Parameters | UWS Service Deployment Configuration File |
|-------------|---|---|--|
| UEM | vnfd | vnf-em ha-vip <vip_address> vnf-em floating-ip true vnf-em floating-ip-address <floating_address> | <vnf-em> <---SNIP---> <ha-vip> vip_address</ha-vip> <---SNIP---> <floating-ip>true </floating-ip> <floating-ip-address>floating_address </floating-ip-address> <---SNIP---> </vnf-em> |
| CF | vnfd | interfaces mgmt <---SNIP---> enable-ha-vip <vip_address> floating-ip true floating-ip-address <floating_address> <---SNIP---> | <interfaces> <---SNIP---> <enable-ha-vip> vip_address</enable-ha-vip> <floating-ip>true </floating-ip> <floating-ip-address>floating_address </floating-ip-address> <---SNIP---> </interfaces> |
| Controllers | networking network-types external | <---SNIP---> ip-prefix <floating_address_ network >/<mask_bits> vlan-id <vlan_id> allocation-pool start <1st_floating_address_for_controllers> allocation-pool end <4th_floating_address_for_ controllers > default-route <actual_gw Ip_dress of_floating_ip_network> <---SNIP---> | |
| Note | This functionality is disabled by default. Set the floating-ip and/or <floating-ip> parameters to <i>true</i> to enable this functionality. | | |
| Note | Prior to assigning floating and virtual IP addresses, make sure that they are not already allocated through OpenStack. If the addresses are already allocated, then they must be freed up for use or you must assign a new IP address that is available in the VIM. | | |



APPENDIX B

Ultra M MIB



Important

Not all aspects of this MIB are supported in this release. Refer to [Health Monitoring in the Ultra M Solution, on page 55](#) for information on the capabilities supported in this release.

```
-- *****
-- CISCO-ULTRAM-MIB.my
-- Copyright (c) 2017 by Cisco Systems, Inc.
-- All rights reserved.
--
-- *****

CISCO-ULTRAM-MIB DEFINITIONS ::= BEGIN

IMPORTS
    MODULE-IDENTITY,
    OBJECT-TYPE,
    NOTIFICATION-TYPE,
    Unsigned32
        FROM SNMPv2-SMI
    MODULE-COMPLIANCE,
    NOTIFICATION-GROUP,
    OBJECT-GROUP
        FROM SNMPv2-CONF
    TEXTUAL-CONVENTION,
    DateAndTime
        FROM SNMPv2-TC
    ciscoMgmt
        FROM CISCO-SMI;

ciscoUltramMIB MODULE-IDENTITY
    LAST-UPDATED      "201711200000Z"
    ORGANIZATION      "Cisco Systems, Inc."
    CONTACT-INFO
        "Cisco Systems
        Customer Service

        Postal: 170 W Tasman Drive
        San Jose, CA  95134
        USA

        Tel: +1 800 553-NETS"
    DESCRIPTION
        "The MIB module to management of Cisco Ultra Services Platform
```

(USP) also called Ultra-M Network Function Virtualization (NFV) platform. The Ultra-M platform is Cisco validated turnkey solution based on ETSI (European Telecommunications Standards Institute) NFV architecture.

It comprises of following architectural domains:

1. Management and Orchestration (MANO), these components enables infrastructure virtualization and life cycle management of Cisco Ultra Virtual Network Functions (VNFs).
2. NFV Infrastructure (NFVI), set of physical resources to provide NFV infrastructure, for example servers, switch, chassis, and so on.
3. Virtualized Infrastructure Manager (VIM)
4. One or more Ultra VNFs.

Ultra-M platform provides a single point of management (including SNMP, APIs, Web Console and CLI/Telnet Console) for the resources across these domains within NFV PoD (Point of Delivery).

This is also called Ultra-M manager throughout the context of this MIB."

```

REVISION      "201711200000Z"
DESCRIPTION
  "- Added cultramSiteId as Index to cultramFaultEntry Table."
REVISION      "201707050000Z"
DESCRIPTION
  "- cultramFaultDomain changed to read-only in compliance.
  - Added a new fault code serviceFailure under
  'CultramFaultCode'.
  - Added a new notification cultramFaultClearNotif.
  - Added new notification group ciscoUltramMIBNotifyGroupExt.
  - Added new compliance group ciscoUltramMIBModuleComplianceRev01
  which deprecates ciscoUltramMIBModuleCompliance."
REVISION      "201706260000Z"
DESCRIPTION
  "Initial version of this MIB module."
 ::= { ciscoMgmt 849 }

```

```

CFaultCode ::= TEXTUAL-CONVENTION
  STATUS      current
  DESCRIPTION
    "A code identifying a class of fault."
  SYNTAX      INTEGER {
    other(1), -- Other events
    networkConnectivity(2), -- Network Connectivity
    -- Failure Events.
    resourceUsage(3), -- Resource Usage Exhausted
    -- Event.
    resourceThreshold(4), -- Resource Threshold
    -- crossing alarms
    hardwareFailure(5), -- Hardware Failure Events
    securityViolation(6), -- Security Alerts
    configuration(7), -- Config Error Events
    serviceFailure(8) -- Process/Service failures
  }

CFaultSeverity ::= TEXTUAL-CONVENTION

```

```

STATUS          current
DESCRIPTION
  "A code used to identify the severity of a fault."
SYNTAX          INTEGER {
    emergency(1), -- System level FAULT impacting
                  -- multiple VNFs/Services
    critical(2), -- Critical Fault specific to
                  -- VNF/Service
    major(3), -- component level failure within
               -- VNF/service.
    alert(4), -- warning condition for a service/VNF,
               -- may eventually impact service.
    informational(5) -- informational only, does not
                     -- impact service
  }

CFaultDomain ::= TEXTUAL-CONVENTION
STATUS          current
DESCRIPTION
  "A code used to categorize Ultra-M fault domain."
SYNTAX          INTEGER {
    hardware(1), -- Harware including Servers, L2/L3
                 -- Elements
    vimOrchestrator(2), -- VIM under-cloud
    vim(3), -- VIM manager such as OpenStack
    uas(4), -- Ultra Automation Services Modules
    vnfM(5), -- VNF manager
    vnfEM(6), -- Ultra VNF Element Manager
    vnf(7) -- Ultra VNF
  }
-- Textual Conventions definition will be defined before this line

ciscoUltramMIBNotifs OBJECT IDENTIFIER
 ::= { ciscoUltramMIB 0 }

ciscoUltramMIBObjects OBJECT IDENTIFIER
 ::= { ciscoUltramMIB 1 }

ciscoUltramMIBConform OBJECT IDENTIFIER
 ::= { ciscoUltramMIB 2 }

-- Conformance Information Definition

ciscoUltramMIBCompliances OBJECT IDENTIFIER
 ::= { ciscoUltramMIBConform 1 }

ciscoUltramMIBGroups OBJECT IDENTIFIER
 ::= { ciscoUltramMIBConform 2 }

ciscoUltramMIBModuleCompliance MODULE-COMPLIANCE
STATUS          deprecated
DESCRIPTION
  "The compliance statement for entities that support
   the Cisco Ultra-M Fault Managed Objects"
MODULE          -- this module
MANDATORY-GROUPS {
    ciscoUltramMIBMainObjectGroup,
    ciscoUltramMIBNotifyGroup
  }
 ::= { ciscoUltramMIBCompliances 1 }

ciscoUltramMIBModuleComplianceRev01 MODULE-COMPLIANCE
STATUS          current

```

```

DESCRIPTION
    "The compliance statement for entities that support
    the Cisco Ultra-M Fault Managed Objects."
MODULE      -- this module
MANDATORY-GROUPS {
    ciscoUltramMIBMainObjectGroup,
    ciscoUltramMIBNotifyGroup,
    ciscoUltramMIBNotifyGroupExt
}

OBJECT      cultramFaultDomain
MIN-ACCESS  read-only
DESCRIPTION
    "cultramFaultDomain is read-only."
::= { ciscoUltramMIBCompliances 2 }

ciscoUltramMIBMainObjectGroup OBJECT-GROUP
OBJECTS     {
    cultramNFVIdentity,
    cultramFaultDomain,
    cultramFaultSource,
    cultramFaultCreationTime,
    cultramFaultSeverity,
    cultramFaultCode,
    cultramFaultDescription
}
STATUS      current
DESCRIPTION
    "A collection of objects providing Ultra-M fault information."
::= { ciscoUltramMIBGroups 1 }

ciscoUltramMIBNotifyGroup NOTIFICATION-GROUP
NOTIFICATIONS { cultramFaultActiveNotif }
STATUS        current
DESCRIPTION
    "The set of Ultra-M notifications defined by this MIB"
::= { ciscoUltramMIBGroups 2 }

ciscoUltramMIBNotifyGroupExt NOTIFICATION-GROUP
NOTIFICATIONS { cultramFaultClearNotif }
STATUS        current
DESCRIPTION
    "The set of Ultra-M notifications defined by this MIB"
::= { ciscoUltramMIBGroups 3 }

cultramFaultTable OBJECT-TYPE
SYNTAX         SEQUENCE OF CultramFaultEntry
MAX-ACCESS     not-accessible
STATUS        current
DESCRIPTION
    "A table of Ultra-M faults. This table contains active
    faults."
::= { ciscoUltramMIBObjects 1 }

cultramFaultEntry OBJECT-TYPE
SYNTAX         CultramFaultEntry
MAX-ACCESS     not-accessible
STATUS        current
DESCRIPTION
    "An entry in the Ultra-M fault table."
INDEX          { cultramSiteId, cultramFaultIndex }
::= { cultramFaultTable 1 }

CultramFaultEntry ::= SEQUENCE {

```

```

        cultramSiteId          OCTET STRING,
        cultramFaultIndex      Unsigned32,
        cultramNFVIdentity     OCTET STRING,
        cultramFaultDomain     CFaultDomain,
        cultramFaultSource     OCTET STRING,
        cultramFaultCreationTime DateAndTime,
        cultramFaultSeverity    CFaultSeverity,
        cultramFaultCode       CFaultCode,
        cultramFaultDescription OCTET STRING
    }

cultramSiteId OBJECT-TYPE
    SYNTAX      OCTET STRING (SIZE (1..32))
    MAX-ACCESS  not-accessible
    STATUS      current
    DESCRIPTION
        "This object uniquely identifies a specific instance of a
        Ultra-M fault at site level."
    ::= { cultramFaultEntry 1 }

cultramFaultIndex OBJECT-TYPE
    SYNTAX      Unsigned32
    MAX-ACCESS  not-accessible
    STATUS      current
    DESCRIPTION
        "This object uniquely identifies a specific instance of a
        Ultra-M fault.

        For example, if two separate computes have a service level
        Failure, then each compute will have a fault instance with a
        unique index."
    ::= { cultramFaultEntry 2 }

cultramNFVIdentity OBJECT-TYPE
    SYNTAX      OCTET STRING (SIZE (1..512))
    MAX-ACCESS  read-write
    STATUS      current
    DESCRIPTION
        "This object uniquely identifies the Ultra-M PoD on which this
        fault is occurring.
        For example, this identity can include host-name as well
        management IP where manager node is running,
        'Ultra-M-San-Francisco/172.10.185.100'."
    ::= { cultramFaultEntry 3 }

cultramFaultDomain OBJECT-TYPE
    SYNTAX      CFaultDomain
    MAX-ACCESS  read-write
    STATUS      current
    DESCRIPTION
        "A unique Fault Domain that has fault."
    ::= { cultramFaultEntry 4 }

cultramFaultSource OBJECT-TYPE
    SYNTAX      OCTET STRING (SIZE (1..512))
    MAX-ACCESS  read-only
    STATUS      current
    DESCRIPTION
        "This object uniquely identifies the resource with the fault
        domain where this fault is occurring. For example, this can
        include host-name as well management IP of the resource,
        'UCS-C240-Server-1/192.100.0.1'."
    ::= { cultramFaultEntry 5 }

```

```

cultramFaultCreationTime OBJECT-TYPE
    SYNTAX      DateAndTime
    MAX-ACCESS  read-only
    STATUS      current
    DESCRIPTION
        "The date and time when the fault was occurred."
    ::= { cultramFaultEntry 6 }

cultramFaultSeverity OBJECT-TYPE
    SYNTAX      CFaultSeverity
    MAX-ACCESS  read-only
    STATUS      current
    DESCRIPTION
        "A code identifying the perceived severity of the fault."
    ::= { cultramFaultEntry 7 }

cultramFaultCode OBJECT-TYPE
    SYNTAX      CFaultCode
    MAX-ACCESS  read-only
    STATUS      current
    DESCRIPTION
        "A code uniquely identifying the fault class."
    ::= { cultramFaultEntry 8 }

cultramFaultDescription OBJECT-TYPE
    SYNTAX      OCTET STRING (SIZE (1..2048))
    MAX-ACCESS  read-only
    STATUS      current
    DESCRIPTION
        "A human-readable message providing details about the fault."
    ::= { cultramFaultEntry 9 }

cultramFaultActiveNotif NOTIFICATION-TYPE
    OBJECTS      {
        cultramNFVIdentity,
        cultramFaultDomain,
        cultramFaultSource,
        cultramFaultCreationTime,
        cultramFaultSeverity,
        cultramFaultCode,
        cultramFaultDescription
    }
    STATUS      current
    DESCRIPTION
        "This notification is generated by a Ultra-M manager whenever a
        fault is active."
    ::= { ciscoUltramMIBNotifs 1 }

cultramFaultClearNotif NOTIFICATION-TYPE
    OBJECTS      {
        cultramNFVIdentity,
        cultramFaultDomain,
        cultramFaultSource,
        cultramFaultCreationTime,
        cultramFaultSeverity,
        cultramFaultCode,
        cultramFaultDescription
    }
    STATUS      current
    DESCRIPTION
        "This notification is generated by a Ultra-M manager whenever a
        fault is cleared."

```

```
 ::= { ciscoUltramMIBNotifs 2 }
```

```
END
```




APPENDIX **C**

Ultra M Component Event Severity and Fault Code Mappings

Events are assigned to one of the following severities (refer to `CFaultSeverity` in [Ultra M MIB, on page 87](#)):

- `emergency(1)`, -- System level FAULT impacting multiple VNFs/Services
- `critical(2)`, -- Critical Fault specific to VNF/Service
- `major(3)`, -- component level failure within VNF/service.
- `alert(4)`, -- warning condition for a service/VNF, may eventually impact service.
- `informational(5)` -- informational only, does not impact service

Events are also mapped to one of the following fault codes (refer to `cFaultCode` in the [Ultra M MIB, on page 87](#)):

- `other(1)`, -- Other events
- `networkConnectivity(2)`, -- Network Connectivity -- Failure Events.
- `resourceUsage(3)`, -- Resource Usage Exhausted -- Event.
- `resourceThreshold(4)`, -- Resource Threshold -- crossing alarms
- `hardwareFailure(5)`, -- Hardware Failure Events
- `securityViolation(6)`, -- Security Alerts
- `configuration(7)`, -- Config Error Events `serviceFailure(8)` -- Process/Service failures

The Ultra M Manager Node serves as an aggregator for events received from the different Ultra M components. These severities and fault codes are mapped to those defined for the specific components. The information in this section provides severity mapping information for the following:

- [OpenStack Events, on page 96](#)
- [UCS Server Events, on page 100](#)
- [UAS Events, on page 100](#)
- [ESC VM Events, on page 101](#)

OpenStack Events

Component: Ceph

Table 35: Component: Ceph

| Failure Type | Ultra M Severity | Fault Code |
|---|------------------|-------------------|
| CEPH Status is not healthy | Emergency | serviceFailure |
| One or more CEPH monitors are down | Emergency | serviceFailure |
| Disk usage exceeds threshold | Critical | resourceThreshold |
| One or more OSD nodes are down | Critical | serviceFailure |
| One or more OSD disks are failed | Critical | resourceThreshold |
| One of the CEPH monitor is not healthy. | Major | serviceFailure |
| One or more CEPH monitor restarted. | Major | serviceFailure |
| OSD disk weights not even across the board. | | resourceThreshold |

Component: Cinder

Table 36: Component: Cinder

| Failure Type | Ultra M Severity | Fault Code |
|------------------------|------------------|----------------|
| Cinder Service is down | Emergency | serviceFailure |

Component: Neutron

Table 37: Component: Neutron

| Failure Type | Ultra M Severity | Fault Code |
|---------------------------|------------------|----------------|
| One of Neutron Agent Down | Critical | serviceFailure |

Component: Nova

Table 38: Component: Nova

| Failure Type | Ultra M Severity | Fault Code |
|----------------------|------------------|----------------|
| Compute service down | Critical | serviceFailure |

Component: NTP

Table 39: Component: NTP

| Failure Type | Ultra M Severity | Fault Code |
|--|------------------|----------------|
| NTP skew limit exceeds configured threshold. | Critical | serviceFailure |

Component: PCS

Table 40: Component: PCS

| Failure Type | Ultra M Severity | Fault Code |
|--|------------------|----------------|
| One or more controller nodes are down | Critical | serviceFailure |
| Ha-proxy is down on one of the node | Major | serviceFailure |
| Galera service is down on one of the node. | Critical | serviceFailure |
| Rabbitmq is down. | Critical | serviceFailure |
| Redis Master is down. | Emergency | serviceFailure |
| One or more Redis Slaves are down. | Critical | serviceFailure |
| corosync/pacemaker/pcsd - not all daemons active | Critical | serviceFailure |
| Cluster status changed. | Major | serviceFailure |
| Current DC not found. | Emergency | serviceFailure |
| Not all PCDs are online. | Critical | serviceFailure |
| Stonith service is down on one or more nodes | Critical | serviceFailure |

Component: Rabbitmqctl

Table 41: Component: Rabbitmqctl

| Failure Type | Ultra M Severity | Fault Code |
|-------------------------------|------------------|----------------|
| Cluster Status is not healthy | Emergency | serviceFailure |

Component: Services

Table 42: Component: Services

| Failure Type | Ultra M Severity | Fault Code |
|----------------------|------------------|----------------|
| Service is disabled. | Critical | serviceFailure |
| Service is down. | Emergency | serviceFailure |
| Service Restarted. | Major | serviceFailure |

The following OpenStack services are monitored:

- Controller Nodes:
 - httpd.service
 - memcached
 - mongod.service
 - neutron-dhcp-agent.service
 - neutron-l3-agent.service
 - neutron-metadata-agent.service
 - neutron-openvswitch-agent.service
 - neutron-server.service
 - ntpd.service
 - openstack-cinder-api.service
 - openstack-cinder-scheduler.service
 - openstack-glance-api.service
 - openstack-glance-registry.service
 - openstack-heat-api-cfn.service
 - openstack-heat-api-cloudwatch.service
 - openstack-heat-api.service
 - openstack-heat-engine.service

- openstack-nova-api.service
 - openstack-nova-conductor.service
 - openstack-nova-consoleauth.service
 - openstack-nova-novncproxy.service
 - openstack-nova-scheduler.service
 - openstack-swift-account-auditor.service
 - openstack-swift-account-reaper.service
 - openstack-swift-account-replicator.service
 - openstack-swift-account.service
 - openstack-swift-container-auditor.service
 - openstack-swift-container-replicator.service
 - openstack-swift-container-updater.service
 - openstack-swift-container.service
 - openstack-swift-object-auditor.service
 - openstack-swift-object-replicator.service
 - openstack-swift-object-updater.service
 - openstack-swift-object.service
 - openstack-swift-proxy.service
- Compute Nodes:
 - ceph-mon.target
 - ceph-radosgw.target
 - ceph.target
 - libvirtd.service
 - neutron-sriov-nic-agent.service
 - neutron-openvswitch-agent.service
 - ntpd.service
 - openstack-nova-compute.service
 - openvswitch.service
- OSD Compute Nodes:
 - ceph-mon.target
 - ceph-radosgw.target

- ceph.target
- libvirtd.service
- neutron-sriov-nic-agent.service
- neutron-openvswitch-agent.service
- ntpd.service
- openstack-nova-compute.service
- openvswitch.service

UCS Server Events

UCS Server events are described here: https://www.cisco.com/c/en/us/td/docs/unified_computing/ucs/ts/faults/reference/ErrMess/FaultsIntroduction.html

The following table maps the UCS severities to those within the Ultra M MIB.

Table 43: UCS Server Severities

| UCS Server Severity | Ultra M Severity | Fault Code |
|---------------------|------------------|-----------------|
| Critical | Critical | hardwareFailure |
| Info | Informational | hardwareFailure |
| Major | Major | hardwareFailure |
| Warning | Alert | hardwareFailure |
| Alert | Alert | hardwareFailure |
| Cleared | Informational | Not applicable |

UAS Events

Table 44: UAS Events

| Failure Type | Ultra M Severity | Fault Code |
|-----------------------|------------------|-----------------|
| UAS Service Failure | Critical | serviceFailure* |
| UAS Service Recovered | Informational | serviceFailure* |

* *serviceFailure* is used except where the Ultra M Health Monitor is unable to connect to any of the modules. In this case, the fault code is set to *networkConnectivity*.

ESC VM Events

By default, the Ultra M Manager continuously monitors and processes VNF VM event notifications from ESC as reported through NETCONF.



Important

In release 6.0, the feature that enables monitoring of UGP VNFs using ESC was not fully qualified and made available only for testing purposes. In 6.2 and later releases, this feature has been fully qualified for use in the appropriate deployment scenarios. For more information, contact your Cisco Accounts representative.

Table 45: ESC VM Event Severities

| ESC Event | Ultra M Severity | Fault Code | VNFR State |
|------------------------|------------------|-----------------|--|
| VM_DEPLOYED | Major | Service Failure | deployed |
| VM_ALIVE | Info | Other | alive |
| VM_UNDEPLOYED | Critical | Service Failure | offline |
| VM_REBOOTED | Major | Service Failure | rebooting |
| VM_RECOVERY_REBOOT | Major | Service Failure | If the event completion status is successful, then it is rebooting. If the event completion status is failure, then it is an error. |
| VM_RECOVERY_UNDEPLOYED | Critical | Service Failure | If the event completion status is successful, then it is offline. If the event completion status is failure, then it is an error. |
| VM_RECOVERY_DEPLOYED | Major | Service Failure | If the event completion status is successful, then it is rebooting. If the event completion status is failure, then it is an error. |

| ESC Event | Ultra M Severity | Fault Code | VNFR State |
|----------------------|------------------|-----------------|--|
| VM_RECOVERY_COMPLETE | Info | Other | If the event completion status is successful, then it is alive. If the event completion status is failure, then it is an error. |
| VM_STOPPED | Alert | Service Failure | stop_requested |



APPENDIX **D**

Ultra M Troubleshooting

- [Ultra M Component Reference Documentation, on page 103](#)
- [Collecting Support Information, on page 105](#)
- [About Ultra M Manager Log Files, on page 109](#)

Ultra M Component Reference Documentation

The following sections provide links to troubleshooting information for the various components that comprise the Ultra M solution.

UCS C-Series Server

- [Obtaining Showtech Support to TAC](#)
- [Display of system Event log events](#)
- [Display of CIMC Log](#)
- [Run Debug Firmware Utility](#)
- [Run Diagnostics CLI](#)
- [Common Troubleshooting Scenarios](#)
- [Troubleshooting Disk and Raid issues](#)
- [DIMM Memory Issues](#)
- [Troubleshooting Server and Memory Issues](#)
- [Troubleshooting Communication Issues](#)

Nexus 9000 Series Switch

- [Troubleshooting Installations, Upgrades, and Reboots](#)
- [Troubleshooting Licensing Issues](#)
- [Troubleshooting Ports](#)

- [Troubleshooting vPCs](#)
- [Troubleshooting VLANs](#)
- [Troubleshooting STP](#)
- [Troubleshooting Routing](#)
- [Troubleshooting Memory](#)
- [Troubleshooting Packet Flow Issues](#)
- [Troubleshooting PowerOn Auto Provisioning](#)
- [Troubleshooting the Python API](#)
- [Troubleshooting NX-API](#)
- [Troubleshooting Service Failures](#)
- [Before Contacting Technical Support](#)
- [Troubleshooting Tools and Methodology](#)

Catalyst 2960 Switch

- [Diagnosing Problems](#)
- [Switch POST Results](#)
- [Switch LEDs](#)
- [Switch Connections](#)
- [Bad or Damaged Cable](#)
- [Ethernet and Fiber-Optic Cables](#)
- [Link Status](#)
- [10/100/1000 Port Connections](#)
- [10/100/1000 PoE+ Port Connections](#)
- [SFP and SFP+ Module](#)
- [Interface Settings](#)
- [Ping End Device](#)
- [Spanning Tree Loops](#)
- [Switch Performance](#)
- [Speed, Duplex, and Autonegotiation](#)
- [Autonegotiation and Network Interface Cards](#)
- [Cabling Distance](#)
- [Clearing the Switch IP Address and Configuration](#)

- [Finding the Serial Number](#)
- [Replacing a Failed Stack Member](#)

Red Hat

- [Troubleshooting Director issue](#)
- [Backup and Restore Director Undercloud](#)

OpenStack

- [Red Hat Openstack Troubleshooting commands and scenarios](#)

UAS

Refer to the *USP Deployment Automation Guide*.

UGP

Refer to the *Ultra Gateway Platform System Administration Guide*.

Collecting Support Information

From UCS:

- Collect support information:

```
chassis show tech support
show tech support (if applicable)
```

- Check which UCS MIBS are being polled (if applicable). Refer to https://www.cisco.com/c/en/us/td/docs/unified_computing/ucs/sw/mib/c-series/b_UCS_Standalone_C-Series_MIBRef/b_UCS_Standalone_C-Series_MIBRef_chapter_0100.html

From Host/Server/Compute/Controller/Linux:

- Identify if Passthrough/SR-IOV is enabled.
- Run sosreport:



Note This functionality is enabled by default on Red Hat, but not on Ubuntu. It is recommended that you enable *sysstat* and *sosreport* on Ubuntu (run **apt-get install sysstat** and **apt-get install sosreport**). It is also recommended that you install *sysstat* on Red Hat (run **yum install sysstat**).

- Get and run the **os_ssd_pac** script from Cisco:

- Compute (all):

```
./os_ssd_pac.sh -a
./os_ssd_pac.sh -k -s
```



Note For initial collection, it is always recommended to include the **-s** option (*sosreport*). Run **./os_ssd_pac.sh -h** for more information.

- Controller (all):

```
./os_ssd_pac.sh -f
./os_ssd_pac.sh -c -s
```



Note For initial collection it is always recommended to include the **-s** option (*sosreport*). Run **./os_ssd_pac.sh -h** for more information.

- For monitoring purposes, from *crontab* use option: **-m** (for example run every 5 or 10 minutes)

From Switches

From all switches connected to the Host/Servers. (This also includes other switches which have same vlans terminated on the Host/Servers.)

```
show tech-support
syslogs
snmp traps
```



Note It is recommended that mac-move notifications are enabled on all switches in network by running mac address-table notification mac-move.

From ESC (Active and Standby)



Note It is recommended that you take a backup of the software and data before performing any of the following operations. Backups can be taken by executing `opt/cisco/esc/esc-scripts/esc_dbtool.py backup`. (Refer to https://www.cisco.com/c/en/us/td/docs/net_mgmt/elastic_services_controller/2-3/user/guide/Cisco-Elastic-Services-Controller-User-Guide-2-3/Cisco-Elastic-Services-Controller-User-Guide-2-2_chapter_010010.html#id_18936 for more information.)

```
/opt/cisco/esc/esc-scripts/health.sh
/usr/bin/collect_esc_log.sh
./os_ssd_pac -a
```

From UAS

- Monitor ConfD:

```
confd -status
confd --debug-dump /tmp/confd_debug-dump
confd --printlog /tmp/confd_debug-dump
```



Note Once the file `/tmp/confd_debug-dump` is collected, it can be removed (`rm /tmp/confd_debug-dump`).

- Monitor UAS Components:

```
source /opt/cisco/usp/uas/confd-6.1/confdrc
confd_cli -u admin -C
show uas
show uas ha-vip
show uas state
show confd-state
show running-config
show transactions date-and-time
show log | display xml
show errors displaylevel 64
show notification stream uas_notify last 1000
show autovnf-oper:vnfm
show autovnf-oper:vnf-em
show autovnf-oper:vdu-catalog
show autovnf-oper:transactions
show autovnf-oper:network-catalog
show autovnf-oper:errors
show usp
show confd-state internal callpoints
```

```
show confd-state webui listen
show netconf-state
```



Important Executing the `confd_cli -u admin -C` command prompts you to enter *admin user* password.

- Monitor Zookeeper:

```
/opt/cisco/usp/packages/zookeeper/current/bin/zkCli.sh -server
x.x.x.x:2181 ls /config/control-function
/opt/cisco/usp/packages/zookeeper/current/bin/zkCli.sh -server
x.x.x.x:2181 ls /config/element-manager
/opt/cisco/usp/packages/zookeeper/current/bin/zkCli.sh -server
x.x.x.x:2181 ls /config/session-function
/opt/cisco/usp/packages/zookeeper/current/bin/zkCli.sh -server
x.x.x.x:2181 ls /
/opt/cisco/usp/packages/zookeeper/current/bin/zkCli.sh -server
x.x.x.x:2181 ls /stat
/opt/cisco/usp/packages/zookeeper/current/bin/zkCli.sh -server
x.x.x.x:2181 ls /log
```



Note Port number (2181) is not mandatory when executing the `zkCli.sh` command.

- Collect Zookeeper data:

```
cd /tmp
tar zcfv zookeeper_data.tgz /var/lib/zookeeper/data/version-2/
ls -las /tmp/zookeeper_data.tgz
```

- Get support details

```
./os_ssd_pac -a
```

From UEM (Active and Standby)

- Collect logs

```
/opt/cisco/em-scripts/collect-em-logs.sh
```

- Monitor NCS:

```
ncs -status
ncs --debug-dump /tmp/ncs_debug-dump
ncs --printlog /tmp/ncs_debug-dump
```



Note Once the file `/tmp/ncs_debug-dump` is collected, it can be removed (`rm /tmp/ncs_debug-dump`).

- Collect support details:

```
./os_ssd_pac -a
```

From UGP (Through StarOS)

- Collect the multiple outputs of the **show support details**.



Note It is recommended to collect at least two samples, 60 minutes apart if possible.

- Collect raw bulkstats before and after events.
- Collect syslogs and snmp traps before and after events.
- Collect PCAP or sniffer traces of all relevant interfaces if possible.



Note Familiarize yourself with how running SPAN/RSPAN on Nexus and Catalyst switches. This is important for resolving Passthrough/SR-IOV issues.

- Collect console outputs from all nodes.
- Export CDRs and EDRs.
- Collect the outputs of **monitor subscriber next-call** or **monitor protocol** depending on the activity
- Refer to https://supportforums.cisco.com/sites/default/files/cisco_asr5000_asr5500_troubleshooting_guide.pdf for more information.

About Ultra M Manager Log Files

All Ultra M Manager log files are created under “`/var/log/cisco/ultram-manager`”.

```
cd /var/log/cisco/ultram-manager
ls -alrt
```

Example output:

```
total 116
drwxr-xr-x. 3 root root 4096 Sep 10 17:41 ..
-rw-r--r--. 1 root root    0 Sep 12 15:15 ultram_health_snmp.log
-rw-r--r--. 1 root root  448 Sep 12 15:16 ultram_health_uas.report
```

```
-rw-r--r--. 1 root root 188 Sep 12 15:16 ultram_health_uas.error
-rw-r--r--. 1 root root 580 Sep 12 15:16 ultram_health_uas.log
-rw-r--r--. 1 root root 24093 Sep 12 15:16 ultram_health_ucs.log
-rw-r--r--. 1 root root 8302 Sep 12 15:16 ultram_health_os.error
drwxr-xr-x. 2 root root 4096 Sep 12 15:16 .
-rw-r--r--. 1 root root 51077 Sep 12 15:16 ultram_health_os.report
-rw-r--r--. 1 root root 6677 Sep 12 15:16 ultram_health_os.log
```

NOTES:

- The files are named according to the following conventions:
 - ultram_health_os: Contain information related to OpenStack
 - ultram_health_ucs: Contain information related to UCS
 - ultram_health_uas: Contain information related to UAS
- Files with the “*.log” extension contain debug/error outputs from different components. These files get added to over time and contain useful data for debugging in case of issues.
- Files with the “*.report” extension contain the current report. These files get created on every tun.
- Files with the “*.error” extension contain actual data received from the nodes as part of health monitoring. These are the events that causes the Ultra M health monitor to send traps out. These files are updated every time a component generates an event.



APPENDIX **E**

Using the UCS Utilities Within the Ultra M Manager

This appendix describes the UCS facilities within the Ultra M Manager.

- [Overview, on page 111](#)
- [Perform Pre-Upgrade Preparation, on page 112](#)
- [Shutdown the ESC VMs, on page 115](#)
- [Upgrade the Compute Node Server Software, on page 116](#)
- [Upgrade the OSD Compute Node Server Software, on page 119](#)
- [Restart the UAS and ESC \(VNF\) VMs, on page 122](#)
- [Upgrade the Controller Node Server Software, on page 122](#)
- [Upgrade Firmware on UCS Bare Metal, on page 125](#)
- [Upgrade Firmware on the OSP-D Server/Ultra M Manager Node, on page 130](#)
- [Controlling UCS BIOS Parameters Using *ultram_ucs_utils.py* Script, on page 131](#)

Overview

Cisco UCS server BIOS, MLOM, and CIMC software updates may be made available from time to time.

Utilities have been added to the AutoIT software module to simplify the process of upgrading the UCS server software (firmware) within the Ultra M solution.

These utilities are available through a script called *ultram_ucs_utils.py* located in the `/opt/cisco/usp/ultram-manager` directory. Refer to [ultram_ucs_utils.py Help, on page 135](#) for more information on this script.

NOTES:

- This functionality is currently supported only with Ultra M deployments based on OSP 10 and that leverage the Hyper-Converged architecture.
- UCS server utilities are provided through the AutoIT software module which is deployed as a VM on the Ultra M Manager Node. As such, AutoIT must be deployed prior to using the utilities.
- You should only upgrade your UCS server software to versions that have been validated for use within the Ultra M solution.
- All UCS servers within the Ultra M solution stack should be upgraded to the same firmware versions.

- Though it is highly recommended that all server upgrades be performed during a single maintenance window, it is possible to perform the upgrade across multiple maintenance windows based on Node type (e.g. Compute, OSD Compute, and Controller).

There are two upgrade scenarios:

- **Upgrading servers in an existing deployment.** In the scenario, the servers are already in use hosting the Ultra M solution stack. This upgrade procedure is designed to maintain the integrity of the stack.
 - Compute Nodes are upgraded in parallel.
 - OSD Compute Nodes are upgraded sequentially.
 - Controller Nodes are upgraded sequentially.
- **Upgrading bare metal servers.** In this scenario, the bare metal servers have not yet been deployed within the Ultra M solution stack. This upgrade procedure leverages the parallel upgrade capability within the UCS utilities to upgrade the servers in parallel.

To use the UCS utilities to upgrade software for UCS servers in an existing deployment:

1. [Perform Pre-Upgrade Preparation.](#)
2. [Shutdown the ESC VMs, on page 115.](#)
3. [Upgrade the Compute Node Server Software.](#)
4. [Upgrade the OSD Compute Node Server Software, on page 119.](#)
5. [Restart the UAS and ESC \(VNFM\) VMs, on page 122.](#)
6. [Upgrade the Controller Node Server Software, on page 122.](#)
7. [Upgrade Firmware on the OSP-D Server/Ultra M Manager Node, on page 130.](#)

To use Ultra M Manager UCS utilities to upgrade software for bare metal UCS servers:

1. [Perform Pre-Upgrade Preparation.](#)
2. [Upgrade Firmware on UCS Bare Metal, on page 125.](#)
3. [Upgrade Firmware on the OSP-D Server/Ultra M Manager Node, on page 130.](#)

Perform Pre-Upgrade Preparation

Prior to performing the actual UCS server software upgrade, you must perform the steps in this section to prepare your environment for the upgrade.

NOTES:

- These instructions assume that all hardware is fully installed, cabled, and operational.
- These instructions assume that the VIM Orchestrator and VIM have been successfully deployed.
- These instructions assume that AutoIT has been successfully deployed.
- UCS server software is distributed separately from the USP software ISO.

To prepare your environment prior to upgrading the UCS server software:

1. Log on to the AutoIT VM running on the Ultra M Manager Node.
2. Create a directory called `/var/www/html/firmwares` to contain the upgrade files.

```
mkdir -p /var/www/html/firmwares
```

3. Download the UCS software ISO to the directory you just created.

UCS software is available for download from <https://software.cisco.com/download/type.html?mdfid=286281356&flowid=71443>

4. Extract the `bios.cap` file.

```
mkdir /tmp/UCSISO
```

```
sudo mount -t iso9660 -o loop ucs-c240m4-huu-<version>.iso UCSISO/
```

```
mount: /dev/loop2 is write-protected, mounting read-only
```

```
cd UCSISO/
```

```
ls
```

```
EFI                GETFW                isolinux  Release-Notes-DN2.txt  squashfs_img.md5
tools.squashfs.enc
firmware.squashfs.enc  huu-release.xml  LiveOS      squashfs_img.enc.md5
TOC_DELNORTE2.xml  VIC_FIRMWARE
```

```
cd GETFW/
```

```
ls
```

```
getfw  readme.txt
```

```
mkdir -p /tmp/HUU
```

```
sudo ./getfw -s /tmp/ucs-c240m4-huu-<version>.iso -d /tmp/HUU
```

```
Nothing was selected hence getting only CIMC and BIOS
FW/s available at '/tmp/HUU/ucs-c240m4-huu-<version>'
```

```
cd /tmp/HUU/ucs-c240m4-huu-<version>/bios/
```

```
ls
```

```
bios.cap
```

5. Copy the `bios.cap` and `huu.iso` to the `/var/www/html/firmwares/` directory.

```
sudo cp bios.cap /var/www/html/firmwares/
```

```
ls -lrt /var/www/html/firmwares/
```

```
total 692228
-rw-r--r--. 1 root root 692060160 Sep 28 22:43 ucs-c240m4-huu-<version>.iso
-rwxr-xr-x. 1 root root 16779416 Sep 28 23:55 bios.cap
```

6. *Optional.* If you are upgrading software for UCS servers in an existing Ultra M solution stack, then create UCS server node list configuration files for each node type as shown in the following table.

| Configuration File Name | File Contents |
|-------------------------|--|
| compute.cfg | A list of the CIMC IP addresses for all of the Compute Nodes. |
| osd_compute_0.cfg | The CIMC IP address of the primary OSD Compute Node (osd-compute-0). |
| osd_compute_1.cfg | The CIMC IP address of the second OSD Compute Node (osd-compute-1). |
| osd_compute_2.cfg | The CIMC IP address of the third OSD Compute Node (osd-compute-2). |
| controller_0.cfg | The CIMC IP address of the primary Controller Node (controller-0). |
| controller_1.cfg | The CIMC IP address of the second Controller Node (controller-1). |
| controller_2.cfg | The CIMC IP address of the third Controller Node (controller-2). |



Note Each address must be preceded by a dash and a space ("-"). The following is an example of the required format:

```
- 192.100.0.9
- 192.100.0.10
- 192.100.0.11
- 192.100.0.12
```

Separate configuration files are required for each OSD Compute and Controller Node in order to maintain the integrity of the Ultra M solution stack throughout the upgrade process.

7. Create a configuration file called *hosts.cfg* containing a list of the CIMC IP addresses for all of the servers to be used within the Ultra M solution stack except the OSP-D server/Ultra M Manager Node.



Note Each address must be preceded by a dash and a space (-). The following is an example of the required format:

```
- 192.100.0.9
- 192.100.0.10
- 192.100.0.11
- 192.100.0.12
```

8. Create a configuration file called *ospd.cfg* containing the CIMC IP address of the OSP-D Server/Ultra M Manager Node.



Note The address must be preceded by a dash and a space ("-"). The following is an example of the required format:

```
- 192.300.0.9
```

- Validate your configuration files by performing a sample test of the script to pull existing firmware versions from all Controller, OSD Compute, and Compute Nodes in your Ultra M solution deployment.

```
./ultram_ucs_utils.py --cfg "<config_file_name>" --login <cimc_username>
<cimc_user_password> --status 'firmwares'
```

The following is an example output for a *hosts.cfg* file with a single Compute Node (192.100.0.7):

```
2017-10-01 10:36:28,189 - Successfully logged out from the server: 192.100.0.7
2017-10-01 10:36:28,190 -
-----
Server IP      | Component                                     | Version
-----
192.100.0.7   | bios/fw-boot-loader                          | C240M4.3.0.3c.0.0831170228
              | mgmt/fw-boot-loader                          | 3.0(3e).36
              | mgmt/fw-system                              | 3.0(3e)
              | adaptor-MLOM/mgmt/fw-boot-loader            | 4.1(2d)
              | adaptor-MLOM/mgmt/fw-system                 | 4.1(3a)
              | board/storage-SAS-SLOT-HBA/fw-boot-loader   |
6.30.03.0_4.17.08.00_0xC6130202
              | board/storage-SAS-SLOT-HBA/fw-system        | 4.620.00-7259
              | sas-expander-1/mgmt/fw-system               | 65104100
              | Intel(R) I350 1 Gbps Network Controller     | 0x80000E75-1.810.8
              | Intel X520-DA2 10 Gbps 2 port NIC          | 0x800008A4-1.810.8
              | Intel X520-DA2 10 Gbps 2 port NIC          | 0x800008A4-1.810.8
              | UCS VIC 1227 10Gbps 2 port CNA SFP+        | 4.1(3a)
              | Cisco 12G SAS Modular Raid Controller      | 24.12.1-0203
-----
```

If you receive errors when executing the script, ensure that the CIMC username and password are correct. Additionally, verify that all of the IP addresses have been entered properly in the configuration files.



Note It is highly recommended that you save the data reported in the output for later reference and validation after performing the upgrades.

- Take backups of the various configuration files, logs, and other relevant information using the information and instructions in the *Backing Up Deployment Information* appendix in the *Ultra Services Platform Deployment Automation Guide*.
- Continue the upgrade process based on your deployment status.
 - Proceed to [Shutdown the ESC VMs, on page 115](#) if you are upgrading software for servers that were previously deployed as part of the Ultra M solution stack.
 - Proceed to [Upgrade Firmware on UCS Bare Metal, on page 125](#) if you are upgrading software for servers that have not yet been deployed as part of the Ultra M solution stack.

Shutdown the ESC VMs

The Cisco Elastic Services Controller (ESC) serves as the VNF in Ultra M solution deployments. ESC is deployed on a redundant pair of VMs. These VMs must be shut down prior to performing software upgrades on the UCS servers in the solution deployment.

To shut down the ESC VMs:

1. Login to OSP-D and make sure to "su - stack" and "source stackrc".
2. Run Nova list to get the UUIDs of the ESC VMs.

```
nova list --fields name,host,status | grep <vnf_deployment_name>
```

Example output:

```
<--- SNIP --->
| b470cfeb-20c6-4168-99f2-1592502c2057 | vnf1-ESC-ESC-
0                                     | tb5-ultram-osd-compute-2.localdomain |
ACTIVE |
| 157d7bfb-1152-4138-b85f-79afa96ad97d | vnf1-ESC-ESC-
1                                     | tb5-ultram-osd-compute-1.localdomain |
ACTIVE |
<--- SNIP --->
```

3. Stop the standby ESC VM.

```
nova stop <standby_vm_uuid>
```

4. Stop the active ESC VM.

```
nova stop <active_vm_uuid>
```

5. Verify that the VMs have been shutdown.

```
nova list --fields name,host,status | grep <vnf_deployment_name>
```

Look for the entries pertaining to the ESC UUIDs.

Example output:

```
<--- SNIP --->
| b470cfeb-20c6-4168-99f2-1592502c2057 | vnf1-ESC-ESC-
0                                     | tb5-ultram-osd-compute-2.localdomain |
SHUTOFF |
| 157d7bfb-1152-4138-b85f-79afa96ad97d | vnf1-ESC-ESC-
1                                     | tb5-ultram-osd-compute-1.localdomain |
SHUTOFF |
<--- SNIP --->
```

6. Proceed to [Upgrade the Compute Node Server Software, on page 116](#).

Upgrade the Compute Node Server Software

NOTES:

- Ensure that the ESC VMs have been shutdown according to the procedure in [Shutdown the ESC VMs, on page 115](#).
- This procedure assumes that you are already logged in to the AutoIT VM running on the Ultra M Manager Node.
- This procedure requires the `compute.cfg` file created as part of the procedure detailed in [Perform Pre-Upgrade Preparation, on page 112](#).

- It is highly recommended that all Compute Nodes be upgraded using this process during a single maintenance window.

To upgrade the UCS server software on the Compute Nodes:

1. Upgrade the BIOS on the UCS server-based Compute Nodes.

```
./ultram_ucs_utils.py --cfg "compute.cfg" --login <cimc_username>
<cimc_user_password> --upgrade bios --server <rhel_introspection_ip_address>
--timeout 30 --file /firmwares/bios.cap
```

Example output:

```
2017-09-29 09:15:48,753 - Updating BIOS firmware on all the servers
2017-09-29 09:15:48,753 - Logging on UCS Server: 192.100.0.7
2017-09-29 09:15:48,758 - No session found, creating one on server: 192.100.0.7
2017-09-29 09:15:50,194 - Login successful to server: 192.100.0.7
2017-09-29 09:16:13,269 - 192.100.0.7 => updating | Image Download (5 %), OK
2017-09-29 09:17:26,669 - 192.100.0.7 => updating | Write Host Flash (75 %), OK
2017-09-29 09:18:34,524 - 192.100.0.7 => updating | Write Host Flash (75 %), OK
2017-09-29 09:19:40,892 - 192.100.0.7 => Activating BIOS
2017-09-29 09:19:55,011 -
-----
Server IP      | Overall | Updated-on      | Status
-----
192.100.0.7   | SUCCESS | NA               | Status: success, Progress: Done, OK
```



Note The Compute Nodes are automatically powered down after this process leaving only the CIMC interface available.

2. Upgrade the UCS server using the Host Upgrade Utility (HUU).

```
./ultram_ucs_utils.py --cfg "compute.cfg" --login <cimc_username>
<cimc_user_password> --upgrade huu --server <rhel_introspection_ip_address> --file
/firmwares/<ucs_huu_iso_filename>
```



Note This software is available via the HTTP Apache server.

If the HUU script times out before completing the upgrade, the process might still be running on the remote hosts. You can periodically check the upgrade process by entering:

```
./ultram_ucs_utils.py --cfg "compute.cfg" --login <cimc_username>
<cimc_user_password> --status huu-upgrade
```

Example output:

```
-----
Server IP      | Overall | Updated-on      | Status
-----
192.100.0.7   | SUCCESS | 2017-10-20 07:10:11 | Update Complete CIMC Completed, SasExpDN
Completed, I350 Completed, X520 Completed, X520 Completed, 3108AB-8i Completed, UCS VIC
1227 Completed, BIOS Completed,
-----
```

3. Verify that the BIOS firmware and HUU upgrade was successful by checking the post-upgrade versions.

```
./ultram_ucs_utils.py --cfg "compute.cfg" --login <cimc_username>
<cimc_user_password> --status firmwares
```

4. Set the package-c-state-limit CIMC setting.

```
./ultram_ucs_utils.py --mgmt set-bios --bios-param
biosVfPackageCStateLimit --bios-values vpPackageCStateLimit=C0/C1 --cfg
compute.cfg --login<cimc_username> <cimc_user_password>
```

5. Verify that the package-c-state-limit CIMC setting has been made.

```
./ultram_ucs_utils.py --status bios-settings --cfg compute.cfg --login
<cimc_username> <cimc_user_password>
```

Look for **PackageCStateLimit** to be set to *C0/C1*.

6. Modify the Grub configuration on each Compute Node.

1. Log into your first compute (compute-0) and update the grub setting with "processor.max_cstate=0 intel_idle.max_cstate=0".

```
sudo grubby --info=/boot/vmlinuz-`uname -r`
sudo grubby --update-kernel=/boot/vmlinuz-`uname -r`
--args="processor.max_cstate=0
intel_idle.max_cstate=0"
```

2. Verify that the update was successful.

```
sudo grubby --info=/boot/vmlinuz-`uname -r`
```

Look for the "processor.max_cstate=0 intel_idle.max_cstate=0" arguments in the output.

3. Reboot the Compute Nodes.

```
sudo reboot
```

4. Repeat steps [6.a, on page 118](#) through [6.c, on page 118](#) for all other Compute Nodes.

7. Recheck all CIMC and kernel settings.

1. Log in to the AutoIT VM running on the Ultra M Manager Node.

2. Verify CIMC settings

```
./ultram_ucs_utils.py --status bios-settings --cfg compute.cfg
--login<cimc_username> <cimc_user_password>
```

3. Verify the processor c-state.

```
for ip in `nova list | grep -i compute | awk '{print $12}' | sed
's/ctlplane=//g'`; do ssh heat-admin@$ip 'sudo cat
/sys/module/intel_idle/parameters/max_cstate'; done
for ip in `nova list | grep -i compute | awk '{print $12}' | sed
's/ctlplane=//g'`; do ssh heat-admin@$ip 'sudo cpupower idle-info';
done
```

8. Proceed to [Upgrade the OSD Compute Node Server Software](#).



Note Other Node types can be upgraded at a later time. If you'll be upgrading them during a later maintenance window, proceed to [Restart the UAS and ESC \(VNF\) VMs, on page 122](#).

Upgrade the OSD Compute Node Server Software

NOTES:

- This procedure requires the `osd_compute_0.cfg`, `osd_compute_1.cfg`, and `osd_compute_2.cfg` files created as part of the procedure detailed in [Perform Pre-Upgrade Preparation, on page 112](#).
- It is highly recommended that all OSD Compute Nodes be upgraded using this process during a single maintenance window.

To upgrade the UCS server software on the OSD Compute Nodes:

1. Move the Ceph storage to maintenance mode.
 1. Log on to the lead Controller Node (controller-0).
 2. Move the Ceph storage to maintenance mode.
2. *Optional.* If they've not already been shut down, shut down both ESC VMs using the instructions in [Shutdown the ESC VMs, on page 115](#).
3. Log on to the AutoIT VM running on the Ultra M Manager Node.
4. Upgrade the BIOS on the initial UCS server-based OSD Compute Node (osd-compute-1).

```
./ultram_ucs_utils.py --cfg "osd_compute_0.cfg" --login <cimc_username>
<cimc_user_password> --upgrade bios --server <rhel_introspection_ip_address>
--timeout 30 --file /firmwares/bios.cap
```

Example output:

```
2017-09-29 09:15:48,753 - Updating BIOS firmware on all the servers
2017-09-29 09:15:48,753 - Logging on UCS Server: 192.100.0.17
2017-09-29 09:15:48,758 - No session found, creating one on server: 192.100.0.17
2017-09-29 09:15:50,194 - Login successful to server: 192.100.0.17
2017-09-29 09:16:13,269 - 192.100.0.17 => updating | Image Download (5 %), OK
2017-09-29 09:17:26,669 - 192.100.0.17 => updating | Write Host Flash (75 %), OK
2017-09-29 09:18:34,524 - 192.100.0.17 => updating | Write Host Flash (75 %), OK
2017-09-29 09:19:40,892 - 192.100.0.17 => Activating BIOS
2017-09-29 09:19:55,011 -
-----
Server IP      | Overall | Updated-on      | Status
-----
192.100.0.17  | SUCCESS | NA              | Status: success, Progress: Done,
OK
```



Note The Compute Nodes are automatically powered down after this process leaving only the CIMC interface available.

- Upgrade the UCS server using the Host Upgrade Utility (HUU).

```
./ultram_ucs_utils.py --cfg "osd_compute.cfg" --login <cimc_username>
<cimc_user_password> --upgrade huu --server <rhel_introspection_ip_address>
--file /firmwares/<ucs_huu_iso_filename>
```



Note This software is available via the HTTP Apache server.

If the HUU script times out before completing the upgrade, the process might still be running on the remote hosts. You can periodically check the upgrade process by entering:

```
./ultram_ucs_utils.py --cfg "osd_compute.cfg" --login <cimc_username>
<cimc_user_password> --status huu-upgrade
```

Example output:

```
-----
Server IP      | Overall | Updated-on      | Status
-----
192.100.0.17   | SUCCESS | 2017-10-20 07:10:11 | Update Complete CIMC Completed,
SasExpDN Completed, I350 Completed, X520 Completed, X520 Completed, 3108AB-8i Completed,
UCS VIC 1227 Completed, BIOS Completed,
-----
```

- Verify that the BIOS firmware and HUU upgrade was successful by checking the post-upgrade versions.

```
./ultram_ucs_utils.py --cfg "osd_compute_0.cfg" --login <cimc_username>
<cimc_user_password> --status firmwares
```

- Set the package-c-state-limit CIMC setting.

```
./ultram_ucs_utils.py --mgmt set-bios --bios-param
biosVfPackageCStateLimit --bios-values vpPackageCStateLimit=C0/C1
--cfg osd_compute_0.cfg --login <cimc_username> <cimc_user_password>
```

- Verify that the package-c-state-limit CIMC setting has been made.

```
./ultram_ucs_utils.py --status bios-settings --cfg osd_compute_0.cfg
--login <cimc_username> <cimc_user_password>
```

Look for **PackageCStateLimit** to be set to *C0/C1*.

- Modify the Grub configuration on the primary OSD Compute Node.

- Log on to the OSD Compute (osd-compute-0) and update the grub setting with "processor.max_cstate=0 intel_idle.max_cstate=0".

```
sudo grubby --info=/boot/vmlinuz-`uname -r`
sudo grubby --update-kernel=/boot/vmlinuz-`uname -r`
--args="processor.max_cstate=0
intel_idle.max_cstate=0"
```

2. Verify that the update was successful.

```
sudo grubby --info=/boot/vmlinuz-`uname -r`
```

Look for the "processor.max_cstate=0 intel_idle.max_cstate=0" arguments in the output.

3. Reboot the OSD Compute Nodes.

```
sudo reboot
```

10. Recheck all CIMC and kernel settings.

1. Verify the processor c-state.

```
cat /sys/module/intel_idle/parameters/max_cstate
cpupower idle-info
```

2. Login to AutoIT VM running on the Ultra M Manager Node.

3. Verify CIMC settings.

```
./ultram_ucs_utils.py --status bios-settings --cfg
osd_compute_0.cfg --login <cimc_username> <cimc_user_password>
```

11. Repeat steps 4, on page 119 through 10, on page 121 on the second OSD Compute Node (osd-compute-1).



Note Be sure to use the *osd_compute_1.cfg* file where needed.

12. Repeat steps 4, on page 119 through 10, on page 121 on the third OSD Compute Node (osd-compute-2).



Note Be sure to use the *osd_compute_2.cfg* file where needed.

13. Check the ironic node-list and restore any hosts that went into maintenance mode true state.

1. Login to OSP-D and make sure to "su - stack" and "source stackrc".
2. Perform the check and any required restorations.

```
ironic node-list
ironic node-set-maintenance $NODE_<node_uuid> off
```

14. Move the Ceph storage out of maintenance mode.

1. Log on to the lead Controller Node (controller-0).
2. Move the Ceph storage to maintenance mode.

```
sudo ceph status
sudo ceph osd unset noout
sudo ceph osd unset norebalance
sudo ceph status
sudo pcs status
```

15. Proceed to [Restart the UAS and ESC \(VNF\) VMs, on page 122](#).

Restart the UAS and ESC (VNFM) VMs

Upon performing the UCS server software upgrades, VMs that were previously shutdown must be restarted.

To restart the VMs:

1. Login to OSP-D and make sure to "su - stack" and "source stackrc".
2. Run Nova list to get the UUIDs of the ESC VMs.
3. Start the AutoIT VM.

```
nova start <autoit_vm_uuid>
```

4. Start the AutoDeploy VM.

```
nova start <autodeploy_vm_uuid>
```

5. Start the standby ESC VM.

```
nova start <standby_vm_uuid>
```

6. Start the active ESC VM.

```
nova start <active_vm_uuid>
```

7. Verify that the VMs have been restarted and are ACTIVE.

```
nova list --fields name,host,status | grep <vnf_deployment_name>
```

Once ESC is up and running, it triggers the recovery of rest of the VMs (AutoVNF, UEMs, CFs and SFs).

8. Login to each of the VMs and verify that they are operational.

Upgrade the Controller Node Server Software

NOTES:

- This procedure requires the *controller_0.cfg*, *controller_1.cfg*, and *controller_2.cfg* files created as part of the procedure detailed in [Perform Pre-Upgrade Preparation, on page 112](#).
- It is highly recommended that all Controller Nodes be upgraded using this process during a single maintenance window.

To upgrade the UCS server software on the Controller Nodes:

1. Check the Controller Node status and move the Pacemaker Cluster Stack (PCS) to maintenance mode.
 1. Login to the primary Controller Node (controller-0) from the OSP-D Server.
 2. Check the state of the Controller Node Pacemaker Cluster Stack (PCS).

```
sudo pcs status
```



Note Resolve any issues prior to proceeding to the next step.

- Place the PCS cluster on the Controller Node into standby mode.

```
sudo pcs cluster standby <controller_name>
```

- Recheck the Controller Node status again and make sure that the Controller Node is in standby mode for the PCS cluster.

```
sudo pcs status
```

- Log on to the AutoIT VM running on the Ultra M Manager Node.
- Upgrade the BIOS on the primary UCS server-based Controller Node (controller-0).

```
./ultram_ucs_utils.py --cfg "controller_0.cfg" --login <cimc_username>
<cimc_user_password> --upgrade bios --server <rhel_introspection_ip_address>
--timeout 30 --file /firmwares/bios.cap
```

Example output:

```
2017-09-29 09:15:48,753 - Updating BIOS firmware on all the servers
2017-09-29 09:15:48,753 - Logging on UCS Server: 192.100.2.7
2017-09-29 09:15:48,758 - No session found, creating one on server: 192.100.2.7
2017-09-29 09:15:50,194 - Login successful to server: 192.100.2.7
2017-09-29 09:16:13,269 - 192.100.2.7 => updating | Image Download (5 %), OK
2017-09-29 09:17:26,669 - 192.100.2.7 => updating | Write Host Flash (75 %), OK
2017-09-29 09:18:34,524 - 192.100.2.7 => updating | Write Host Flash (75 %), OK
2017-09-29 09:19:40,892 - 192.100.2.7 => Activating BIOS
2017-09-29 09:19:55,011 -
-----
Server IP      | Overall | Updated-on      | Status
-----
192.100.2.7   | SUCCESS | NA               | Status: success, Progress: Done, OK
```



Note The Compute Nodes are automatically powered down after this process leaving only the CIMC interface available.

- Upgrade the UCS server using the Host Upgrade Utility (HUU).

```
./ultram_ucs_utils.py --cfg "controller_0.cfg" --login <cimc_username>
<cimc_user_password> --upgrade huu --server <rhel_introspection_ip_address>
--file /firmwares/<ucs_huu_iso_filename>
```



Note This software is available via the HTTP Apache server.

If the HUU script times out before completing the upgrade, the process might still be running on the remote hosts. You can periodically check the upgrade process by entering:

```
./ultram_ucs_utils.py --cfg "controller_0.cfg" --login <cimc_username>
<cimc_user_password> --status huu-upgrade
```

Example output:

```
-----
Server IP      | Overall | Updated-on      | Status
-----
```

```
192.100.2.7 | SUCCESS | 2017-10-20 07:10:11 | Update Complete CIMC Completed,
SasExpDN Completed, I350 Completed, X520 Completed, X520 Completed, 3108AB-8i Completed,
UCS VIC 1227 Completed, BIOS Completed,
-----
```

5. Verify that the BIOS firmware and HUU upgrade was successful by checking the post-upgrade versions.

```
./ultram_ucs_utils.py --cfg "controller_0.cfg" --login <cimc_username>
<cimc_user_password> --status firmwares
```

6. Set the package-c-state-limit CIMC setting.

```
./ultram_ucs_utils.py --mgmt set-bios --bios-param
biosVfPackageCStateLimit --bios-values vpPackageCStateLimit=C0/C1
--cfg controller_0.cfg --login <cimc_username> <cimc_user_password>
```

7. Verify that the package-c-state-limit CIMC setting has been made.

```
./ultram_ucs_utils.py --status bios-settings --cfg controller_0.cfg
--login <cimc_username> <cimc_user_password>
```

Look for **PackageCStateLimit** to be set to *C0/C1*.

8. Modify the Grub configuration on the primary OSD Compute Node.

1. Log on to the OSD Compute (osd-compute-0) and update the grub setting with "processor.max_cstate=0 intel_idle.max_cstate=0".

```
sudo grubby --info=/boot/vmlinuz-`uname -r`
sudo grubby --update-kernel=/boot/vmlinuz-`uname -r`
--args="processor.max_cstate=0
intel_idle.max_cstate=0"
```

2. Verify that the update was successful.

```
sudo grubby --info=/boot/vmlinuz-`uname -r`
```

Look for the "processor.max_cstate=0 intel_idle.max_cstate=0" arguments in the output.

3. Reboot the OSD Compute Nodes.

```
sudo reboot
```

9. Recheck all CIMC and kernel settings.

1. Verify the processor c-state.

```
cat /sys/module/intel_idle/parameters/max_cstate
cpupower idle-info
```

2. Login to AutoIT VM running on the Ultra M Manager Node.

3. Verify CIMC settings.

```
./ultram_ucs_utils.py --status bios-settings --cfg controller_0.cfg
--login <cimc_username> <cimc_user_password>
```

10. Check the ironic node-list and restore the Controller Node if it went into maintenance mode true state.

1. Login to OSP-D and make sure to "su - stack" and "source stackrc".
2. Perform the check and any required restorations.

```
ironic node-list
ironic node-set-maintenance $NODE_<node_uuid> off
```

- Take the Controller Node out of the PCS standby state.

```
sudo pcs cluster unstandby <controller-0-id>
```

- Wait 5 to 10 minutes and check the state of the PCS cluster to verify that the Controller Node is ONLINE and all services are in good state.

```
sudo pcs status
```

- Repeat steps 3, on page 123 through 11, on page 125 on the second Controller Node (controller-1).



Note Be sure to use the *controller_1.cfg* file where needed.

- Repeat steps 3, on page 123 through 11, on page 125 on the third Controller Node (controller-2).



Note Be sure to use the *controller_2.cfg* file where needed.

- Proceed to [Upgrade Firmware on the OSP-D Server/Ultra M Manager Node, on page 130](#).

Upgrade Firmware on UCS Bare Metal

NOTES:

- This procedure assumes that the UCS servers receiving the software (firmware) upgrade have not previously been deployed as part of an Ultra M solution stack.
- The instructions in this section pertain to all servers to be used as part of an Ultra M solution stack except the OSP-D Server/Ultra M Manager Node.
- This procedure requires the *hosts.cfg* file created as part of the procedure detailed in [Perform Pre-Upgrade Preparation, on page 112](#).

To upgrade the software on the UCS servers:

- Log on to the AutoIT VM running on the Ultra M Manager Node.
- Upgrade the BIOS on the UCS servers.

```
./ultram_ucs_utils.py --cfg "hosts.cfg" --login <cimc_username>
<cimc_user_password> --upgrade bios --server <rhel_introspection_ip_address>
--timeout 30 --file /firmwares/bios.cap
```

Example output:

```
2018-03-26 09:15:48,753 - Updating BIOS firmware on all the servers
2018-03-26 09:15:48,753 - Logging on UCS Server: 192.100.1.2
2018-03-26 09:15:48,758 - No session found, creating one on server: 192.100.1.2
2018-03-26 09:15:50,194 - Login successful to server: 192.100.1.2
2018-03-26 09:16:13,269 - 192.100.1.2 => updating | Image Download (5 %), OK
```

```
2018-03-26 09:17:26,669 - 192.100.1.2 => updating | Write Host Flash (75 %), OK
2018-03-26 09:18:34,524 - 192.100.1.2 => updating | Write Host Flash (75 %), OK
2018-03-26 09:19:40,892 - 192.100.1.2 => Activating BIOS
2018-03-26 09:19:55,011 -
```

```
-----
Server IP      | Overall | Updated-on      | Status
-----
192.100.1.2   | SUCCESS | NA              | Status: success, Progress: Done, OK
```



Note The Compute Nodes are automatically powered down after this process leaving only the CIMC interface available.

3. Upgrade the UCS server using the Host Upgrade Utility (HUU).

```
./ultram_ucs_utils.py --cfg "hosts.cfg" --login <cimc_username>
<cimc_user_password> --upgrade huu --server <rhel_introspection_ip_address> --file
/firmwares/<ucs_huu_iso_filename>
```



Note This software is available via the HTTP Apache server.

If the HUU script times out before completing the upgrade, the process might still be running on the remote hosts. You can periodically check the upgrade process by entering:

```
./ultram_ucs_utils.py --cfg "hosts.cfg" --login <cimc_username>
<cimc_user_password> --status huu-upgrade
```

Example output:

```
-----
Server IP      | Overall | Updated-on      | Status
-----
192.100.1.2   | SUCCESS | 2018-03-19 08:54:06 | Update Complete CIMC Completed, I350
Completed, I350-PCI Completed, I350-PCI Completed, 9271-8i Completed, BIOS Completed,
-----
```

4. Verify that the BIOS firmware and HUU upgrade was successful by checking the post-upgrade versions.

```
./ultram_ucs_utils.py --cfg "hosts.cfg" --login <cimc_username>
<cimc_user_password> --status firmwares
```

5. Recheck all CIMC and BIOS settings.

1. Log in to the AutoIT VM running on the Ultra M Manager Node.

2. Verify CIMC settings.

```
./ultram_ucs_utils.py --status bios-settings --cfg hosts.cfg --login
<cimc_username> <cimc_user_password>
```

6. Verify that the BIOS and HUU upgrades were successful by checking the posting upgrade versions.

```
./ultram_ucs_utils.py --cfg "<config_file_name>" --login <cimc_username>
<cimc_user_password> --status 'firmwares'
```

Compare the new output of the command for the hosts.cfg file against one previously collected in [Perform Pre-Upgrade Preparation, on page 112](#).

7. Verify the UCS server status.

```
./ultram_ucs_utils.py --cfg "<config_file_name>" --login <cimc_username>
<cimc_user_password> --status server
```

The following is an example output for a *hosts.cfg* file with a single Compute Node (192.100.0.7):

```
2018-03-29 06:42:29,516 -
-----
Server IP          | Status
-----
192.100.0.7       | dn: sys/rack-unit-1
                   |   adminPower: policy
                   |   availableMemory: 262144
                   |   model: UCSC-C240-M4SX
                   |   memorySpeed: 2400
                   |   name: UCS C240 M4SX
                   |   numOfAdaptors: 1
                   |   numOfCores: 28
                   |   numOfCoresEnabled: 28
                   |     | numOfCpus: 2
                   |   numOfEthHostIfs: 2
                   |   numOfFcHostIfs: 2
                   |   numOfThreads: 56
                   |   operPower: on
                   |   originalUuid: 03AFB6F7-4C50-4272-8B37-AD582A7ADA02
                   |   presence: equipped
                   |   serverId: 1
                   |   serial: FCH2103V1LA
                   |   totalMemory: 262144
                   |   usrLbl:
                   |   uuid: 03AFB6F7-4C50-4272-8B37-AD582A7ADA02
                   |   vendor: Cisco Systems Inc
                   |   cimcResetReason: ac-cycle
                   |   adaptorSecureUpdate: Enabled
-----
```

8. Verify the BIOS settings.

```
./ultram_ucs_utils.py --cfg "<config_file_name>" --login <cimc_username>
<cimc_user_password> --status bios-settings
```

The following is an example output for a *hosts.cfg* file with a single Compute Node (192.100.0.7):

```
2018-03-29 06:47:56,175 -
-----
Server IP          | BIOS Settings
-----
192.100.0.7       | biosVfHWPMEEnable
                   |   vpHWPMEEnable: Disabled
                   | biosVfLegacyUSBSupport
                   |   vpLegacyUSBSupport: enabled
                   | biosVfPciRomClp
                   |   vpPciRomClp: Disabled
                   | biosVfSelectMemoryRASConfiguration
                   |   vpSelectMemoryRASConfiguration: maximum-performance
                   | biosVfExtendedAPIC
                   |   vpExtendedAPIC: XAPIC
                   | biosVfOSBootWatchdogTimerPolicy
                   |   vpOSBootWatchdogTimerPolicy: power-off
                   | biosVfCoreMultiProcessing
                   |   vpCoreMultiProcessing: all
                   | biosVfQPIConfig
                   |   vpQPILinkFrequency: auto
                   | biosVfOutOfBandMgmtPort
```

```

| vpOutOfBandMgmtPort: Disabled
| biosVfVgaPriority
| vpVgaPriority: Onboard
| biosVfMemoryMappedIOAbove4GB
| vpMemoryMappedIOAbove4GB: enabled
| biosVfEnhancedIntelSpeedStepTech
| vpEnhancedIntelSpeedStepTech: enabled
| biosVfCmciEnable
| vpCmciEnable: Enabled
| biosVfAutonomousCstateEnable
| vpAutonomousCstateEnable: Disabled
| biosVfOSBootWatchdogTimer
| vpOSBootWatchdogTimer: disabled
| biosVfAdjacentCacheLinePrefetch
| vpAdjacentCacheLinePrefetch: enabled
| biosVfPCISlotOptionROMEnable
| vpSlot1State: Disabled
| vpSlot2State: Disabled
| vpSlot3State: Disabled
| vpSlot4State: Disabled
| vpSlot5State: Disabled
| vpSlot6State: Disabled
| vpSlotMLOMState: Enabled
| vpSlotHBASState: Enabled
| vpSlotHBALinkSpeed: GEN3
| vpSlotN1State: Disabled
| vpSlotN2State: Disabled
| vpSlotFLOMLinkSpeed: GEN3
| vpSlotRiser1Slot1LinkSpeed: GEN3
| vpSlotRiser1Slot2LinkSpeed: GEN3
| vpSlotRiser1Slot3LinkSpeed: GEN3
| vpSlotSSDSlot1LinkSpeed: GEN3
| vpSlotSSDSlot2LinkSpeed: GEN3
| vpSlotRiser2Slot4LinkSpeed: GEN3
| vpSlotRiser2Slot5LinkSpeed: GEN3
| vpSlotRiser2Slot6LinkSpeed: GEN3
| biosVfProcessorC3Report
| vpProcessorC3Report: disabled
| biosVfPCIeSSDHotPlugSupport
| vpPCIeSSDHotPlugSupport: Disabled
| biosVfExecuteDisableBit
| vpExecuteDisableBit: enabled
| biosVfCPUEnergyPerformance
| vpCPUEnergyPerformance: balanced-performance
| biosVfAltitude
| vpAltitude: 300-m
| biosVfSrIov
| vpSrIov: enabled
| biosVfIntelVTFForDirectedIO
| vpIntelVTDATSSupport: enabled
| vpIntelVTDCoherencySupport: disabled
| vpIntelVTDIInterruptRemapping: enabled
| vpIntelVTDPassThroughDMASupport: disabled
| vpIntelVTFForDirectedIO: enabled
| biosVfCPUPerformance
| vpCPUPerformance: enterprise
| biosVfPchUsb30Mode
| vpPchUsb30Mode: Disabled
| biosVfTPMSupport
| vpTPMSupport: enabled
| biosVfIntelHyperThreadingTech
| vpIntelHyperThreadingTech: disabled
| biosVfIntelTurboBoostTech
| vpIntelTurboBoostTech: enabled

```

```
| biosVfUSBEmulation
|   vpUSBEmul6064: enabled
| biosVfMemoryInterleave
|   vpChannelInterLeave: auto
|   vpRankInterLeave: auto
| biosVfConsoleRedirection
|   vpBaudRate: 115200
|   vpConsoleRedirection: disabled
|   vpFlowControl: none
|   vpTerminalType: vt100
|   vpPuttyKeyPad: ESCN
|   vpRedirectionAfterPOST: Always Enable
| biosVfQpiSnoopMode
|   vpQpiSnoopMode: auto
| biosVfPStateCoordType
|   vpPStateCoordType: HW ALL
| biosVfProcessorC6Report
|   vpProcessorC6Report: enabled
| biosVfPCIOptionROMs
|   vpPCIOptionROMs: Enabled
| biosVfDCUPrefetch
|   vpStreamerPrefetch: enabled
|   vpIPPrefetch: enabled
| biosVfFRB2Enable
|   vpFRB2Enable: enabled
| biosVfLOMPortOptionROM
|   vpLOMPortsAllState: Enabled
|   vpLOMPort0State: Enabled
|   vpLOMPort1State: Enabled
| biosVfPatrolScrub
|   vpPatrolScrub: enabled
| biosVfNUMAOptimized
|   vpNUMAOptimized: enabled
| biosVfCPUPowerManagement
|   vpCPUPowerManagement: performance
| biosVfDemandScrub
|   vpDemandScrub: enabled
| biosVfDirectCacheAccess
|   vpDirectCacheAccess: auto
| biosVfPackageCStateLimit
|   vpPackageCStateLimit: C6 Retention
| biosVfProcessorC1E
|   vpProcessorC1E: enabled
| biosVfUSBPortsConfig
|   vpAllUsbDevices: enabled
|   vpUsbPortRear: enabled
|   vpUsbPortFront: enabled
|   vpUsbPortInternal: enabled
|   vpUsbPortKVM: enabled
|   vpUsbPortVMedia: enabled
| biosVfSataModeSelect
|   vpSataModeSelect: AHCI
| biosVfOSBootWatchdogTimerTimeout
|   vpOSBootWatchdogTimerTimeout: 10-minutes
| biosVfWorkLoadConfig
|   vpWorkLoadConfig: Balanced
| biosVfCDNEnable
|   vpCDNEnable: Disabled
| biosVfIntelVirtualizationTechnology
|   vpIntelVirtualizationTechnology: enabled
| biosVfHardwarePrefetch
|   vpHardwarePrefetch: enabled
| biosVfPwrPerfTuning
```

```
| vpPwrPerfTuning: os
```

Upgrade Firmware on the OSP-D Server/Ultra M Manager Node

1. Open your web browser.
2. Enter the CIMC address of the OSP-D Server/Ultra M Manager Node in the URL field.
3. Login to the CIMC using the configured user credentials.
4. Click **Launch KVM Console**.
5. Click **Virtual Media**.
6. Click **Add Image** and select the HUU ISO file pertaining to the version you wish to upgrade to.
7. Select the ISO that you have added in the **Mapped** column of the **Client View**. Wait for the selected ISO to appear as a mapped device.
8. Boot the server and press F6 when prompted to open the **Boot Menu**.
9. Select the desired ISO.
10. Select **Cisco vKVM-Mapped vDVD1.22**, and press **Enter**. The server boots from the selected device.
11. Follow the onscreen instructions to update the desired software and reboot the server. Proceed to the next step once the server has rebooted.
12. Log on to the AutoIT VM running on the Ultra M Manager Node.
13. Set the package-c-state-limit CIMC setting.

```
./ultram_ucs_utils.py --mgmt set-bios --bios-param
biosVfPackageCStateLimit --bios-values
vpPackageCStateLimit=C0/C1 --cfg ospd.cfg --login <cimc_username>
<cimc_user_password>
```

14. Verify that the package-c-state-limit CIMC setting has been made.

```
./ultram_ucs_utils.py --status bios-settings --cfg controller.cfg
--login <cimc_username> <cimc_user_password>
```

Look for **PackageCStateLimit** to be set to C0/C1.

15. Update the grub setting with "processor.max_cstate=0 intel_idle.max_cstate=0".

```
sudo grubby --info=/boot/vmlinuz-`uname -r`
sudo grubby --update-kernel=/boot/vmlinuz-`uname -r`
--args="processor.max_cstate=0 intel_idle.max_cstate=0"
```

16. Verify that the update was successful.

```
sudo grubby --info=/boot/vmlinuz-`uname -r`
```

Look for the "processor.max_cstate=0 intel_idle.max_cstate=0" arguments in the output.

17. Reboot the server.

```
sudo reboot
```

18. Recheck all CIMC and kernel settings upon reboot.

1. Verify CIMC settings

```
./ultram_ucs_utils.py --status bios-settings --cfg ospd.cfg --login
<cimc_username> <cimc_user_password>
```

2. Verify the processor c-state.

```
cat /sys/module/intel_idle/parameters/max_cstate
cpupower idle-info
```

Controlling UCS BIOS Parameters Using `ultram_ucs_utils.py` Script

The `ultram_ucs_utils.py` script can be used to modify and verify parameters within the UCS server BIOS. This script is in the `/opt/cisco/usp/ultram-manager` directory.



Important

Refer to the UCS server documentation BIOS documentation for information on parameters and their respective values.

To configure UCS server BIOS parameters:

1. Log on to the AutoIT VM running on the Ultra M Manager Node.
2. Modify the desired BIOS parameters.

```
./ultram_ucs_utils.py --cfg "config_file_name" --login cimc_username
cimc_user_password --mgmt 'set-bios' --bios-param bios_paramname --bios-values
bios_value1 bios_value2
```

Example:

```
./ultram_ucs_utils.py --cfg cmp_17 --login admin abcabc --mgmt 'set-bios --bios-param
biosVfUSBPortsConfig --bios-values vpAllUsbDevices=Disabled vpUsbPortRear=Disabled
```

Example output:

```
2017-10-06 19:48:39,241 - Set BIOS Parameters
2017-10-06 19:48:39,241 - Logging on UCS Server: 192.100.0.25
2017-10-06 19:48:39,243 - No session found, creating one on server: 192.100.0.25
2017-10-06 19:48:40,711 - Login successful to server: 192.100.0.25
2017-10-06 19:48:52,709 - Logging out from the server: 192.100.0.25
2017-10-06 19:48:53,893 - Successfully logged out from the server: 192.100.0.25
```

3. Verify that your settings have been incorporated.

```
./ultram_ucs_utils.py --cfg "config_file_name" --login cimc_username
cimc_user_password -- status bios-settings
```

Example output:

```
./ultram_ucs_utils.py --cfg cmp_17 --login admin abcabc --status
bios-settings
```

```

2017-10-06 19:49:12,366 - Getting status information from all the servers
2017-10-06 19:49:12,366 - Logging on UCS Server: 192.100.0.25
2017-10-06 19:49:12,370 - No session found, creating one on server: 192.100.0.25
2017-10-06 19:49:13,752 - Login successful to server: 192.100.0.25
2017-10-06 19:49:19,739 - Logging out from the server: 192.100.0.25
2017-10-06 19:49:20,922 - Successfully logged out from the server: 192.100.0.25
2017-10-06 19:49:20,922 -

```

```

-----
Server IP      | BIOS Settings
-----
192.100.0.25  | biosVfHWPMEEnable
                |   vpHWPMEEnable: Disabled
                | biosVfLegacyUSBSupport
                |   vpLegacyUSBSupport: enabled
                | biosVfPciRomClp
                |   vpPciRomClp: Disabled
                | biosVfSelectMemoryRASConfiguration
                |   vpSelectMemoryRASConfiguration: maximum-performance
                | biosVfExtendedAPIC
                |   vpExtendedAPIC: XAPIC
                | biosVfOSBootWatchdogTimerPolicy
                |   vpOSBootWatchdogTimerPolicy: power-off
                | biosVfCoreMultiProcessing
                |   vpCoreMultiProcessing: all
                | biosVfQPIConfig
                |   vpQPILinkFrequency: auto
                | biosVfOutOfBandMgmtPort
                |   vpOutOfBandMgmtPort: Disabled
                | biosVfVgaPriority
                |   vpVgaPriority: Onboard
                | biosVfMemoryMappedIOAbove4GB
                |   vpMemoryMappedIOAbove4GB: enabled
                | biosVfEnhancedIntelSpeedStepTech
                |   vpEnhancedIntelSpeedStepTech: enabled
                | biosVfCmciEnable
                |   vpCmciEnable: Enabled
                | biosVfAutonomousCstateEnable
                |   vpAutonomousCstateEnable: Disabled
                | biosVfOSBootWatchdogTimer
                |   vpOSBootWatchdogTimer: disabled
                | biosVfAdjacentCacheLinePrefetch
                |   vpAdjacentCacheLinePrefetch: enabled
                | biosVfPCISlotOptionROMEnable
                |   vpSlot1State: Disabled
                |   vpSlot2State: Disabled
                |   vpSlot3State: Disabled
                |   vpSlot4State: Disabled
                |   vpSlot5State: Disabled
                |   vpSlot6State: Disabled
                |   vpSlotMLOMState: Enabled
                |   vpSlotHBASState: Enabled
                |   vpSlotHBALinkSpeed: GEN3
                |   vpSlotN1State: Disabled
                |   vpSlotN2State: Disabled
                |   vpSlotFLOMLinkSpeed: GEN3
                |   vpSlotRiser1Slot1LinkSpeed: GEN3
                |   vpSlotRiser1Slot2LinkSpeed: GEN3
                |   vpSlotRiser1Slot3LinkSpeed: GEN3
                |   vpSlotSSDSlot1LinkSpeed: GEN3
                |   vpSlotSSDSlot2LinkSpeed: GEN3
                |   vpSlotRiser2Slot4LinkSpeed: GEN3
                |   vpSlotRiser2Slot5LinkSpeed: GEN3
                |   vpSlotRiser2Slot6LinkSpeed: GEN3
                | biosVfProcessorC3Report

```

```
| vpProcessorC3Report: disabled
| biosVfPCIESSDHotPlugSupport
| vpPCIESSDHotPlugSupport: Disabled
| biosVfExecuteDisableBit
| vpExecuteDisableBit: enabled
| biosVfCPUEnergyPerformance
| vpCPUEnergyPerformance: balanced-performance
| biosVfAltitude
| vpAltitude: 300-m
| biosVfSrIov
| vpSrIov: enabled
| biosVfIntelVTForDirectedIO
| vpIntelVTDATSSupport: enabled
| vpIntelVTDCoherencySupport: disabled
| vpIntelVTDInterruptRemapping: enabled
| vpIntelVTDPassThroughDMASupport: disabled
| vpIntelVTForDirectedIO: enabled
| biosVfCPUPerformance
| vpCPUPerformance: enterprise
| biosVfPchUsb30Mode
| vpPchUsb30Mode: Disabled
| biosVfTPMSupport
| vpTPMSupport: enabled
| biosVfIntelHyperThreadingTech
| vpIntelHyperThreadingTech: disabled
| biosVfIntelTurboBoostTech
| vpIntelTurboBoostTech: enabled
| biosVfUSBEmulation
| vpUSBEmul6064: enabled
| biosVfMemoryInterleave
| vpChannelInterLeave: auto
| vpRankInterLeave: auto
| biosVfConsoleRedirection
| vpBaudRate: 115200
| vpConsoleRedirection: disabled
| vpFlowControl: none
| vpTerminalType: vt100
| vpPuttyKeyPad: ESCN
| vpRedirectionAfterPOST: Always Enable
| biosVfQpiSnoopMode
| vpQpiSnoopMode: auto
| biosVfPStateCoordType
| vpPStateCoordType: HW ALL
| biosVfProcessorC6Report
| vpProcessorC6Report: enabled
| biosVfPCIOptionROMs
| vpPCIOptionROMs: Enabled
| biosVfDCUPrefetch
| vpStreamerPrefetch: enabled
| vpIPPrefetch: enabled
| biosVfFRB2Enable
| vpFRB2Enable: enabled
| biosVfLOMPortOptionROM
| vpLOMPortsAllState: Enabled
| vpLOMPort0State: Enabled
| vpLOMPort1State: Enabled
| biosVfPatrolScrub
| vpPatrolScrub: enabled
| biosVfNUMAOptimized
| vpNUMAOptimized: enabled
| biosVfCPUPowerManagement
| vpCPUPowerManagement: performance
| biosVfDemandScrub
| vpDemandScrub: enabled
```

```
| biosVfDirectCacheAccess
|   vpDirectCacheAccess: auto
| biosVfPackageCStateLimit
|   vpPackageCStateLimit: C6 Retention
| biosVfProcessorC1E
|   vpProcessorC1E: enabled
| biosVfUSBPortsConfig
|   vpAllUsbDevices: disabled
|   vpUsbPortRear: disabled
|   vpUsbPortFront: enabled
|   vpUsbPortInternal: enabled
|   vpUsbPortKVM: enabled
|   vpUsbPortVMedia: enabled
| biosVfSataModeSelect
|   vpSataModeSelect: AHCI
| biosVfOSBootWatchdogTimerTimeout
|   vpOSBootWatchdogTimerTimeout: 10-minutes
| biosVfWorkLoadConfig
|   vpWorkLoadConfig: Balanced
| biosVfCDNEnable
|   vpCDNEnable: Disabled
| biosVfIntelVirtualizationTechnology
|   vpIntelVirtualizationTechnology: enabled
| biosVfHardwarePrefetch
|   vpHardwarePrefetch: enabled
| biosVfPwrPerfTuning
|   vpPwrPerfTuning: os
```



APPENDIX F

ultram_ucs_utils.py Help

Enter the following command to display help for the UCS utilities available through the Ultra M Manager:

```
./ultram_ucs_utils.py h
```

```
usage: ultram_ucs_utils.py [-h] --cfg CFG --login UC_LOGIN UC_LOGIN
                          (--upgrade | --mgmt | --status | --undercloud UC_RC)
                          [--mode] [--serial-delay SERIAL_DELAY]
                          [--server SERVER] [--file FILE]
                          [--protocol {http,https,tftp,sftp,ftp,scp}]
                          [--access ACCESS ACCESS] [--secure-boot]
                          [--update-type {immediate,delayed}] [--reboot]
                          [--timeout TIMEOUT] [--verify] [--stop-on-error]
                          [--bios-param BIOS_PARAM]
                          [--bios-values BIOS_VALUES [BIOS_VALUES ...]]

optional arguments:
  -h, --help                show this help message and exit
  --cfg CFG                  Configuration file to read servers
  --login UC_LOGIN UC_LOGIN
                             Common Login UserName / Password to authenticate UCS servers
  --vim-type                 Type of Virtual Infrastructure Manager(OSP10 or CVIM or VCD)
  --upgrade                 Firmware upgrade, choose one from:
                             'bios': Upgrade BIOS firmware version
                             'cimc': Upgrade CIMC firmware version
                             'huu' : Upgrade All Firmwares via HUU based on ISO
  --mgmt                    Server Management Tasks, choose one from:
                             'power-up'      : Power on the server immediately
                             'power-down'    : Power down the server (non-graceful)
                             'soft-shut-down': Shutdown the server gracefully
                             'power-cycle'   : Power Cycle the server immediately
                             'hard-reset'    : Hard Reset the server
                             'cimc-reset'   : Reboot CIMC
                             'cmos-reset'   : Reset CMOS
                             'set-bios'     : Set BIOS Parameter
  --status                  Firmware Update Status:
                             'bios-upgrade' : Last BIOS upgrade status
                             'cimc-upgrade' : Last CIMC upgrade status
                             'huu-upgrade'  : Last ISO upgrade via Host Upgrade Utilities
                             'firmwares'    : List Current set of running firmware versions
                             'server'       : List Server status
                             'bios-settings': List BIOS Settings
  --undercloud UC_RC       Get the list of servers from undercloud
  --mode                    Execute action in serial/parallel
  --serial-delay SERIAL_DELAY
                             Delay (seconds) in executing firmware upgrades on node in case of
serial mode
```

```
Firmware Upgrade Options::
--server SERVER          Server IP hosting the file via selected protocol
--file FILE              Firmware file path for UCS server to access from file server
--protocol {http,https,tftp,sftp,ftp,scp}
                        Protocol to get the firmware file on UCS server
--access ACCESS ACCESS  UserName / Password to access the file from remote server using
                        https,sftp,ftp,scp
--secure-boot            Use CIMC Secure-Boot.
--update-type {immediate,delayed}
                        Update type whether to send delayed update to server or immediate
--reboot                Reboot CIMC before performing update
--timeout TIMEOUT       Update timeout in mins should be more than 30 min and less than 200
                        min
--verify                Use this option to verify update after reboot
--stop-on-error          Stop the firmware update once an error is encountered

BIOS Parameters configuratioon:
--bios-param BIOS_PARAM
                        BIOS Paramater Name to be set
--bios-values BIOS_VALUES [BIOS_VALUES ...]
                        BIOS Paramater values in terms of key=value pair separated by space
```



APPENDIX **G**

Sample FMD Configuration File

The sample fault management descriptor (FMD) configuration file provides AutoIT with the necessary information for configuring health monitoring through a network service descriptor (NSD) configuration file activated through AutoDeploy.



Caution

This is only a sample configuration file provided solely for your reference. You must create and modify your own configuration file according to the specific needs of your deployment.

```
nsd blr-bg115
  fmd          fmd-blr
  vim-orch-identity vim-orch-id-blr
!
vim vim-orch-id-blr
  api-version v2
  auth-url    http://192.168.10.1:5000/v2.0
  user        openstack
  tenant      admin
!
secure-token openstack
  user      $8$UJs47fsQ1i1T71osYwO+wFRj7902bUIQtGI+Jv+Xc6Q=
  password $8$1tfw7vpnJKztjx6PneESzQJ1e3Qz5KhMnVt2y9ArqRE=
!
secure-token os-login
  user      $8$r8aZR1WoN3JN8czUofGs2eXMD3ZDOueUGVCsZDu87ew=
  password $8$6Zj5yVjOxIeKXFqMP13EsCAU80wOS1FvI6QfNVp1pjs=
!
secure-token autoit-nfvi-admin
  user      $8$b0omJaBlEWe5uP1wq3+thoSSFTNq65LmhMui0hMqfhM=
  password $8$j4HT9/V5Ww8xII36iOY+DS3GD7UBYUrGVfEB4i0RbiY=
!
secure-token autoit-nfvi2-admin
  user      $8$U+Bym8O56+oowjEXHXgC/wkX8bgkoLCFreSMeo9uAz4=
  password $8$15V9FW0PDe2fgB1xtLE98/2vy1Z2Ns5vIRYkyDyeSG4=
!
secure-token nfvi-login
  user      $8$Rh+7C1BvgmCE2O6tZVqXPz8RtjFYmGb8xd5XY4ZV/nw=
  password $8$1M+6HCkhjSM9AX8D++35F/CQfI5/0OOWLFYRCB2y5D8=
!
secure-token login
  user      $8$CdqKq6es3f2yVtFaOy6ZB1VxFR7BJTsxh0ojZqg/xW4=
  password $8$7/ag39+Qw8XapzY6ijzntf7Hvebbq0YEalYeHnQ6Pqc=
!
secure-token scm-admin
  user      $8$weIhrbLqoV8dq9VuMrT1zO0cbngB12W3A1BSPFeTX8=
```

```

password $8$mhbX7OpTDhD4sIt2/wM9KVAGjNAbBiWPdJU5QRcw3k4=
!
secure-token scm-oper
user      $8$PXqvExp/rzVepLSnuB5uKt/FXz73/YL4yP9Q0Tqbt4c=
password $8$DSyzHE6PZVLptyoI48Y2GRS0IY0D5w10KFP88GVx4aU=
!
secure-token scm-security
user      $8$9dhhL8UxFafK0HAV15BwOnZ/wMJ+Y/nC7CTeigMEegg=
password $8$k4gfp27grFNqK4wdjjUL6iloJGXfAQswWhyIph+XbxM=
!
secure-token em_login
user      $8$UdD6nOIldvBH+yliqLOL46cQRmGBMVRB5GFEX3M/LS8=
password $8$9SXDc2OjaulrijV5ripRPHCP3p9gKH154m1ZX48RgIw=
!
secure-token staros
user      $8$NAD0RRbfvrPrN7KBdxJKbW0/PVMYYgvejzVemMSvPG0=
password $8$JKWanV1gEW2ivmH0afZ3TASo+KmjLF1UvRHExtkZT+M=
!
secure-token esc_netconf
user      $8$u+ARmNdO3YrjHz/UeBlmMeGbHH1R12Vg8zLyRFSJV/o=
password $8$uFfZUDm3QqedFvTnZzx6jotSnjJ/uUaAJXIQMBicpLw=
!
secure-token esc_login
user      $8$hbCEIg+A77OkjyK1Js4bGh5tXoM9byhfjP7vNdYiY4=
password $8$I67RNVBieUiBiOlm0sHIetFhqLZK+IELQ/kG3yATgt4=
!
scm scm
admin    scm-admin
oper     scm-oper
security scm-security
!
snmp-user test
auth md5 $8$AIKR4Cx10phDn5M9QdXdIgvKy6QcS/WwE7AruZAYtc=
priv cbc-des $8$IqaVBLqHhppPeAsn5w+gcxCIRzEPG5LDXi5lrkUYHng=
!
fmd fmd-blr
domain hardware
monitoring suppress-hw-affected-dn [ sys/rack-unit-1 sys/rack-unit-2 ]
monitoring suppress-hw-fault-id [ F0438 F0743 F0748 ]
syslog uas-proxy
!
domain vim
syslog uas-proxy
!
domain uas
monitoring suppress-uas-fault [ ha-event cluster-ha ]
!
domain vnf
monitoring suppress-uas-fault [ overall ]
!
domain vnf-EM
monitoring suppress-uas-fault [ api-endpoint ha-event cluster-ha ]
!
domain vnf
monitoring suppress-uas-fault [ overall ]
!
snmp enterprise-id 9
snmp v2c disabled
snmp v3 enabled
snmp v3 user test
snmp v3 target 10.105.159.172
port 162
user test

```

!

