



Cabinet and Rack Installation

This appendix includes the following information:

- [Cabinet and Rack Requirements, page A-1](#)
- [Cisco MDS 9000 Family Telco and EIA Shelf Bracket, page A-4](#)

Cabinet and Rack Requirements

This section provides the Cisco MDS 9000 Family requirements for the following types of cabinets and racks, assuming an external ambient air temperature range of 0 to 40 °C:

- Standard perforated cabinets
- Solid-walled cabinets with a roof fan tray (bottom to top cooling)
- Standard open racks
- Telco racks



Note

If you are selecting an enclosed cabinet, we recommend one of the thermally validated types: standard perforated or solid-walled with a fan tray.



Note

Do not use racks that have obstructions (such as power strips), because the obstructions could impair access to field-replaceable units (FRUs).

General Requirements for Cabinets and Racks

The cabinet or rack must be one of the following types:

- Standard 19-in. four-post EIA cabinet or rack, with mounting rails that conform to English universal hole spacing per section 1 of ANSI/EIA-310-D-1992. See the [“Requirements Specific to Perforated Cabinets” section on page A-2](#) and the [“Requirements Specific to Solid-Walled Cabinets” section on page A-3](#).
- Standard two-post Telco rack, with mounting rails that conform to English universal hole spacing per section 1 of ANSI/EIA-310-D-1992. See the [“Requirements Specific to Telco Racks” section on page A-3](#).

The cabinet or rack must also meet the following requirements:

Send documentation comments to mdsfeedback-doc@cisco.com.

- The minimum vertical rack space necessary to install one 9216 chassis must be three RU (rack units), equal to 5.25 in. (13.3 cm)
- The width between the rack-mounting rails must be at least 17.75 in. (45.1 cm) if the rear of the switch is not attached to the rack. For four-post EIA racks, this is the distance between the two front rails.
- For four-post EIA cabinets (perforated or solid-walled):
 - The minimum spacing for the bend radius for fiber optic cables should have the front mounting rails of the cabinet offset from the front door by a minimum of 3 in. (7.6 cm), and a minimum of 5 in. (12.7 cm) if cable management brackets are installed on the front of the chassis.
 - The distance between the outside face of the front mounting rail and the outside face of the back mounting rail should be 23.5 to 34.0 in. (59.7 to 86.4 cm) to allow for rear bracket installation.
 - A minimum of 2.5 in. (6.4 cm) of clear space should exist between the side edge of the chassis and the side wall of the cabinet. No sizeable flow obstructions should be immediately in the way of chassis air intake or exhaust vents.



Note

Optional jumper power cords are available for use in a cabinet. See the [“Jumper Power Cord” section on page C-8](#).

Requirements Specific to Perforated Cabinets

A perforated cabinet is defined here as a cabinet with perforated front and rear doors and solid side walls. In addition to the requirements listed in the [“General Requirements for Cabinets and Racks” section on page A-1](#), perforated cabinets must meet the following requirements:

- The front and rear doors must have at least a 60% open area perforation pattern, with at least 15 square inches of open area per rack unit of door height.
- We recommend that the roof be perforated with at least a 20% open area.
- We recommend an open or perforated cabinet floor to enhance cooling.

A perforated cabinet that conforms to these requirements is available from Rittal Corporation:

Rittal Corporation

One Rittal Place

Springfield, OH 45504

Contact: (800) 477-4220

Cabinet P/N: Rittal 9969427

Cabinet description: PS-DK/OEM Cabinet Assembly (42U), 1998 mm H X 600 mm W X 1000 mm D

Send documentation comments to mdsfeedback-doc@cisco.com.

Requirements Specific to Solid-Walled Cabinets

A solid-walled cabinet is defined here as a cabinet with solid front and rear doors and solid side walls. In addition to the requirements listed in the [“General Requirements for Cabinets and Racks”](#) section on [page A-1](#), solid-walled cabinets must meet the following requirements:

- A roof mounted fan tray and an air cooling scheme in which the fan tray pulls air in at the bottom of the cabinet and exhausts it out the top, with a minimum of 500 cfm of airflow exiting the cabinet roof through the fan tray.
- Non-perforated (solid and sealed) front and back doors and side panels so that air travels predictably from bottom to top.
- A recommended cabinet depth of 36 to 42 in. (91.4 to 106.7 cm) to allow the doors to close and for adequate airflow.
- A minimum of 150 sq. in. (968 sq. cm) of open area at the floor air intake of the cabinet.
- The lowest piece of equipment should be installed a minimum of 1.75 in. (4.4 cm) above the floor openings to prevent blocking the floor intake.

Requirements Specific to Standard Open Racks

In addition to the requirements listed in the [“General Requirements for Cabinets and Racks”](#) section on [page A-1](#), if mounting the chassis in an open rack (no side panels or doors), ensure that the rack meets the following requirements:

- The minimum width between two front mounting rails must be 17.75 in. (45.1 cm).
- The minimum vertical rack space necessary to install one 9216 chassis must be three RU (rack units), equal to 5.25 in. (13.3 cm).
- The distance between the outside face of the front mounting rail and the outside face of the back mounting rail should be 23.5 to 34.0 in. (59.7 to 86.4 cm) allow for rear bracket installation.
- The horizontal distance between the chassis and any adjacent chassis should be 6 in. (15.2 cm), and the distance between the chassis air vents and any walls should be 2.5 in. (6.4 cm).

Requirements Specific to Telco Racks

In addition to the requirements listed in the [“General Requirements for Cabinets and Racks”](#) section on [page A-1](#), Telco racks should meet the following requirements:

- The width of the rack between the two rack-mounting rails should be at least 17.75 in. (45.1 cm).
- The distance between the chassis air vents and any walls should be 2.5 in. (6.4 cm).

Send documentation comments to mdsfeedback-doc@cisco.com.

Cisco MDS 9000 Family Telco and EIA Shelf Bracket

The optional Telco and EIA Shelf Bracket Kit (part number DS-SHELF=) can temporarily or permanently support the Cisco MDS 9216 Switch during installation. Once the front rack-mount brackets are securely attached to the rack-mounting rails, the shelf bracket can be removed. This kit supports the following configurations:

- A Cisco MDS 9216 Switch in a two-post Telco rack
- A Cisco MDS 9216 Switch in a four-post EIA rack

This section describes the procedure for installing a Cisco MDS 9000 Family switch in a rack or cabinet using the optional Telco and EIA Shelf Bracket Kit. It includes the following information:

- [Rack-Mounting Guidelines, page A-4](#)
- [Before Installing the Shelf Brackets, page A-5](#)
- [Installing the Shelf Bracket Kit into a Two-Post Telco Rack, page A-6](#)
- [Installing the Shelf Bracket Kit into a Four-Post EIA Rack, page A-7](#)
- [Installing the Switch on the Shelf Brackets, page A-8](#)
- [Removing the Shelf Bracket Kit \(Optional\), page A-9](#)



Note

This optional kit is not provided with the switch; to order the kit, contact your switch supplier.



Note

For additional support after removing the shelf brackets, ensure that the C brackets on the Cisco MDS 9216 Switch are attached to the rear rack-mounting rails.

Rack-Mounting Guidelines



Caution

If the rack is on wheels, ensure that the brakes are engaged or the rack is otherwise stabilized.



Caution

If installing this kit in an EIA rack, attach the switch to all four rack-mounting rails; the EIA rails may not be thick enough to prevent flexing of the shelf brackets if only two rails are used.

Before rack-mounting the chassis, ensure that the cabinet or rack meets the following requirements:

- The specifications listed in the [“Cabinet and Rack Requirements”](#) section on [page A-1](#).
- The depth of the rack between the front and rear mounting rails is at least 18 in. (45.7 cm) but less than or equal to 30 in. (76.2 cm). This is specific to four-post EIA cabinets or racks.
- The airflow and cooling are adequate and there is sufficient clearance around the air vents on the switch, as described in [Appendix C, “Technical Specifications.”](#) This is particularly important to verify if you are installing the switch in an enclosed cabinet.
- The rack has sufficient vertical clearance for the chassis plus 2 RU for the shelf brackets, and any desired clearance for the installation process.

Send documentation comments to mdsfeedback-doc@cisco.com.

- The rack meets the minimum rack load ratings per rack unit listed in the following table:

Rack Type	MDS 9509	MDS 9506	MDS 9216	MDS 9100
EIA (4-Post)	45 lb	30 lb	15 lb	7.5 lb
Telco (2-Post)	Do not use.	60 lb	30 lb	15 lb

Before Installing the Shelf Brackets

Before installing the shelf brackets, check the contents of your kit. [Table A-1](#) lists the contents of the optional shelf bracket kit.

Table A-1 Contents of Shelf Bracket Kit

Quantity	Part Description
2	Slider brackets
2	Shelf brackets
1	Crossbar
2	10-32 x 3/8-in. Phillips pan-head screws
16	12-24 x 3/4-in. Phillips screws
16	10-24 x 3/4-in. Phillips screws

Required Equipment

You need the following equipment for this installation:

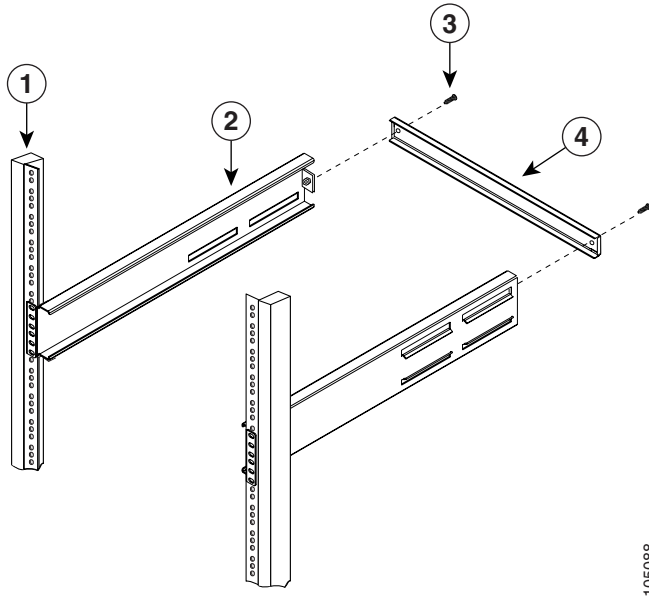
- Number 2 Phillips screwdriver
- Tape measure and level (to ensure shelf brackets are level)

Send documentation comments to mdsfeedback-doc@cisco.com.

Installing the Shelf Bracket Kit into a Two-Post Telco Rack

Figure A-1 shows the installation of the shelf bracket kit into a two-post Telco rack.

Figure A-1 Installing the Shelf Bracket Kit into a Telco Rack



1	Rack-mounting rail (2x)	3	10-32 screws (2x)
2	Shelf bracket (2x)	4	Crossbar

To install the shelf brackets in a Telco rack, follow these steps:

- Step 1** Position a shelf bracket inside a rack-mounting rail as shown in [Figure A-1](#). Align the screw holes at the front of the shelf bracket with the holes in the rack-mounting rail. Then attach the shelf bracket to the rack-mounting rail using a minimum of four 12-24 or 10-24 screws.



Note The bottom hole of the shelf bracket should align with the bottom hole of a rack unit on the rack-mounting rail (the hole immediately above the 1/2-in. spacing).

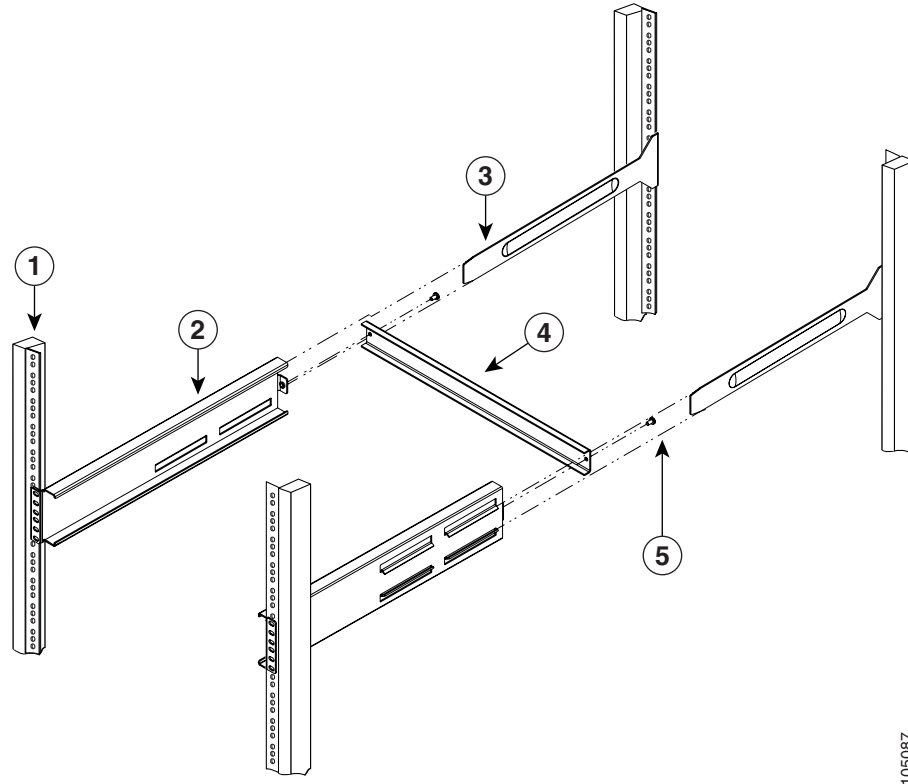
- Step 2** Repeat with the other shelf bracket.
- Step 3** Verify that the shelf brackets are at the same height (using the level or tape measure as desired).
- Step 4** Attach the crossbar to the rear of the shelf brackets as shown in [Figure A-1](#), using the 10-32 screws.

Send documentation comments to mdsfeedback-doc@cisco.com.

Installing the Shelf Bracket Kit into a Four-Post EIA Rack

Figure A-2 shows the installation of the shelf bracket kit into a four-post EIA rack.

Figure A-2 Installing the Shelf Bracket Kit into an EIA Rack



105087

1	Rack-mounting rail (4x)	4	Crossbar
2	Shelf bracket (2x)	5	10-32 screws (2x)
3	Slider rail (2)		

To install the shelf brackets in an EIA rack, follow these steps:

- Step 1** Position a shelf bracket inside the rack-mounting rails as shown in [Figure A-2](#). Align the screw holes at the front of the shelf bracket with the holes in the front rack-mounting rail. Then attach the shelf bracket to the front rack-mounting rail using a minimum of four 12-24 or 10-24 screws.



Note The bottom hole of the shelf bracket should align with the bottom hole of a rack unit on the rack-mounting rail (the hole immediately above the 1/2-in. spacing).

- Step 2** Repeat with the other shelf bracket.
- Step 3** Verify that the shelf brackets are at the same height (using the level or tape measure as desired).

Send documentation comments to mdsfeedback-doc@cisco.com.

- Step 4** Attach the crossbar to the shelf brackets as shown in [Figure A-2](#), using the 10-32 screws.
- Step 5** Insert the slider rails into the shelf brackets as shown in [Figure A-2](#). Then attach them to the rear rack-mounting rails using a minimum of four 12-24 or 10-24 screws.

Installing the Switch on the Shelf Brackets

This section provides general instructions for installing the switch on top of the shelf brackets. For detailed installation instructions, see the “[Installing the Chassis in a Cabinet or Rack](#)” section on [page 2-5](#).



Warning

This unit is intended for installation in restricted access areas. A restricted access area can be accessed only through the use of a special tool, lock and key, or other means of security.

Statement 1017



Warning

Only trained and qualified personnel should be allowed to install, replace, or service this equipment.

Statement 1030



Note

Before you install, operate, or service the system, refer to <http://www.cisco.com/univercd/cc/td/doc/product/sn5000/mds9000/index.htm> for the latest *Regulatory Compliance and Safety Information for the Cisco MDS 9000 Family* for important safety information.

To install the switch on top of the shelf brackets, follow these steps:

- Step 1** Verify that the shelf brackets are level and securely attached to the rack-mounting rails, the crossbar is securely attached to the shelf brackets, and the rack is stabilized.
- Step 2** Slide the switch onto the shelf brackets, ensuring it is squarely positioned.
- Step 3** Attach the switch to the rack-mounting rails. See the “[Installing the Chassis in a Cabinet or Rack](#)” section on [page 2-5](#).



Caution

We recommend grounding the chassis, even if the rack is already grounded. There is a grounding pad with two threaded M4 holes on the chassis for attaching a grounding lug.

Send documentation comments to mdsfeedback-doc@cisco.com.

Removing the Shelf Bracket Kit (Optional)

The shelf bracket kit can be removed once the Cisco MDS 9216 Switch has been installed in a two-post Telco or four-post EIA rack, and the front rack-mount brackets are securely attached to the rack-mounting rails. For additional support in an EIA rack, ensure the C brackets on the Cisco MDS 9216 Switch are attached to the rear rack-mounting rails.

To remove the shelf bracket kit, follow these steps:

-
- Step 1** Remove the screws fastening the slider brackets to the rear rack-mounting rails. Then slide the slider brackets out of the shelf brackets.
 - Step 2** Remove the screws fastening the crossbar to the shelf brackets and remove the crossbar.
 - Step 3** Remove the screws fastening the shelf brackets to the front rack-mounting rails. Then remove the shelf brackets from the rack.
-

Send documentation comments to mdsfeedback-doc@cisco.com.